

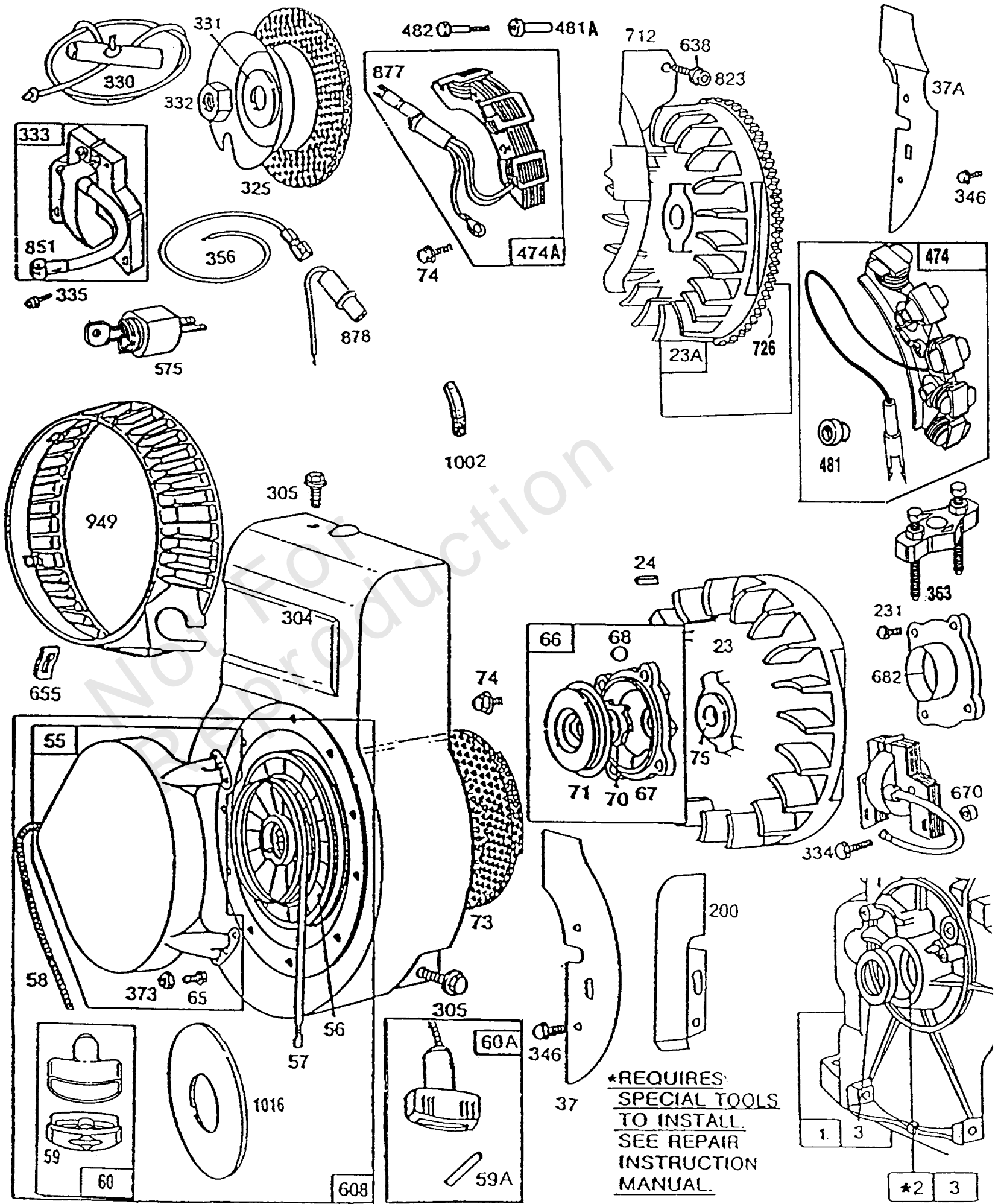


Parts Manual

Mfg. No: 130232-3054-01

| Model Components | Page |
|--|-------------|
| Blower Hsg, Flywheel, Rewind. | 4 |
| Carburetor, Controls, Oil Gard. | 8 |
| Cylinder, GearCase, Piston Grp. | 12 |
| Electric Starter. | 20 |
| Mufflers, Deflectors, Fuel, A/C. | 22 |
| Replacement Engine - US & Canada. | 28 |

Not For
Reproduction

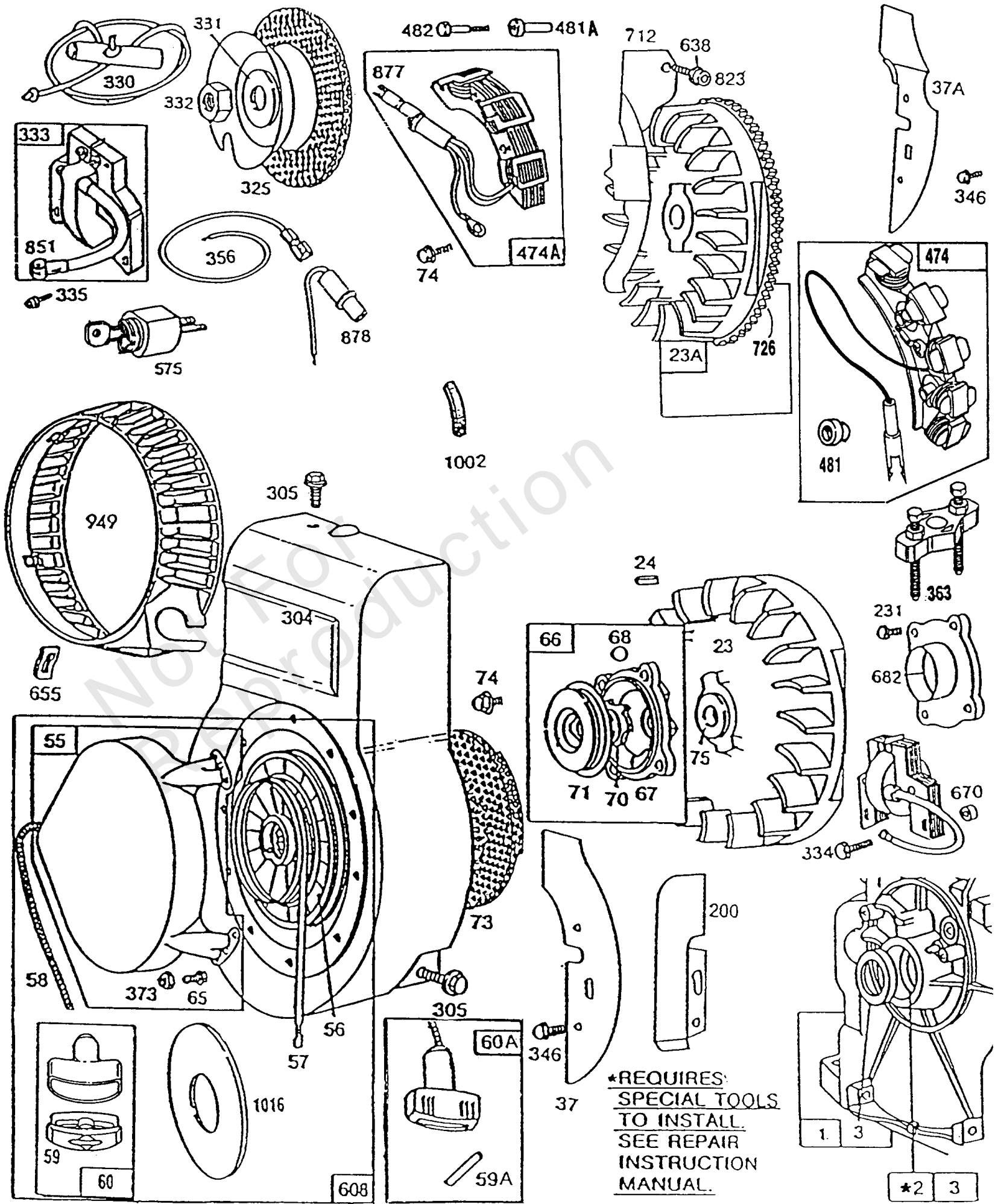


Blower Hsg, Flywheel, Rewind

| REF NO | PART NO | QTY | DESCRIPTION |
|--------|---------|-----|--|
| 1 | 395990 | | CYLINDER ASSEMBLY |
| 1 | 398765 | | CYLINDER ASSEMBLY -(Oil Guard) -Used Before Code Date 91070100 |
| 1 | 494955 | | CYLINDER ASSEMBLY -Used After Code Date 91063000 |
| 2 | 297565 | | KIT, Bushing/Seal |
| 3 | 299819 | | SEAL, Oil -(Plain Bearing) Included in Gasket Set-Part No. 397145 |
| 23A | 493456 | | FLYWHEEL -(Inc Steel Ring Gear) Use w/Steel Pinion Starter |
| 23 | 297229 | | FLYWHEEL |
| 24 | 222698 | | KEY, Flywheel |
| 37A | 222578 | | GUARD, Flywheel -(Electric Starter) |
| 37 | 222443 | | GUARD, Flywheel |
| 55 | 299431 | | HOUSING, Rewind Starter |
| 56 | 295871 | | PULLEY, Starter -(63 Rope) If Longer Rope is Required, Order Rope No. 66894 and Cut to Length. |
| 57 | 490179 | | SPRING-REWIND STR |
| 58 | 66884 | | ROPE, Starter -(Cut To Required Length) If Longer Rope is Required, Order Rope No. 66894 and Cut to Length. |
| 59A | 230228 | | PIN, Starter Grip |
| 59 | 490653 | | INSERT, Grip |
| 60A | 66728 | | GRIP, Starter Rope |
| 60 | 490652 | | GRIP-STARTER ROPE |
| 65 | 94128 | | SCREW |
| 66 | 399671 | | CLUTCH-STARTER -(Uses Rubber Coated Retainer Washer-Ref. 71) |
| 67 | 394897 | | HOUSING, Clutch |
| 68 | 63770 | | BALL, Clutch |
| 70 | 298799 | | RATCHET, Clutch -(engine W/Ring Gear on FW equipped for Elec Start) |
| 71 | 394506 | | COVER, Ratchet -(Rubber Coated) |
| 73 | 221923 | | SCREEN, Rotating |
| 74 | 93490 | | SCREW -(Rotating Screen) |
| 74 | 93808 | | SCREW |
| 75 | 224061 | | WASHER -(5/8 Hole) |
| 200 | 223886 | | GUIDE, Air -(Rewind Starter) |
| 231 | 93064 | | SCREW |
| 304 | 490169 | | HOUSING, Blower |
| 305 | 93158 | | SCREW -(1/4-20 X 5/8) |
| 325 | 299421 | | PULLEY, Rope Starter -(With Screen) |
| 330 | 69932 | | GRIP, Starter Rope |
| 331 | 224061 | | WASHER -(5/8 Hole) |

Footnotes:

To Replace Crankshaft Gear Pin, Order Part No. 230978



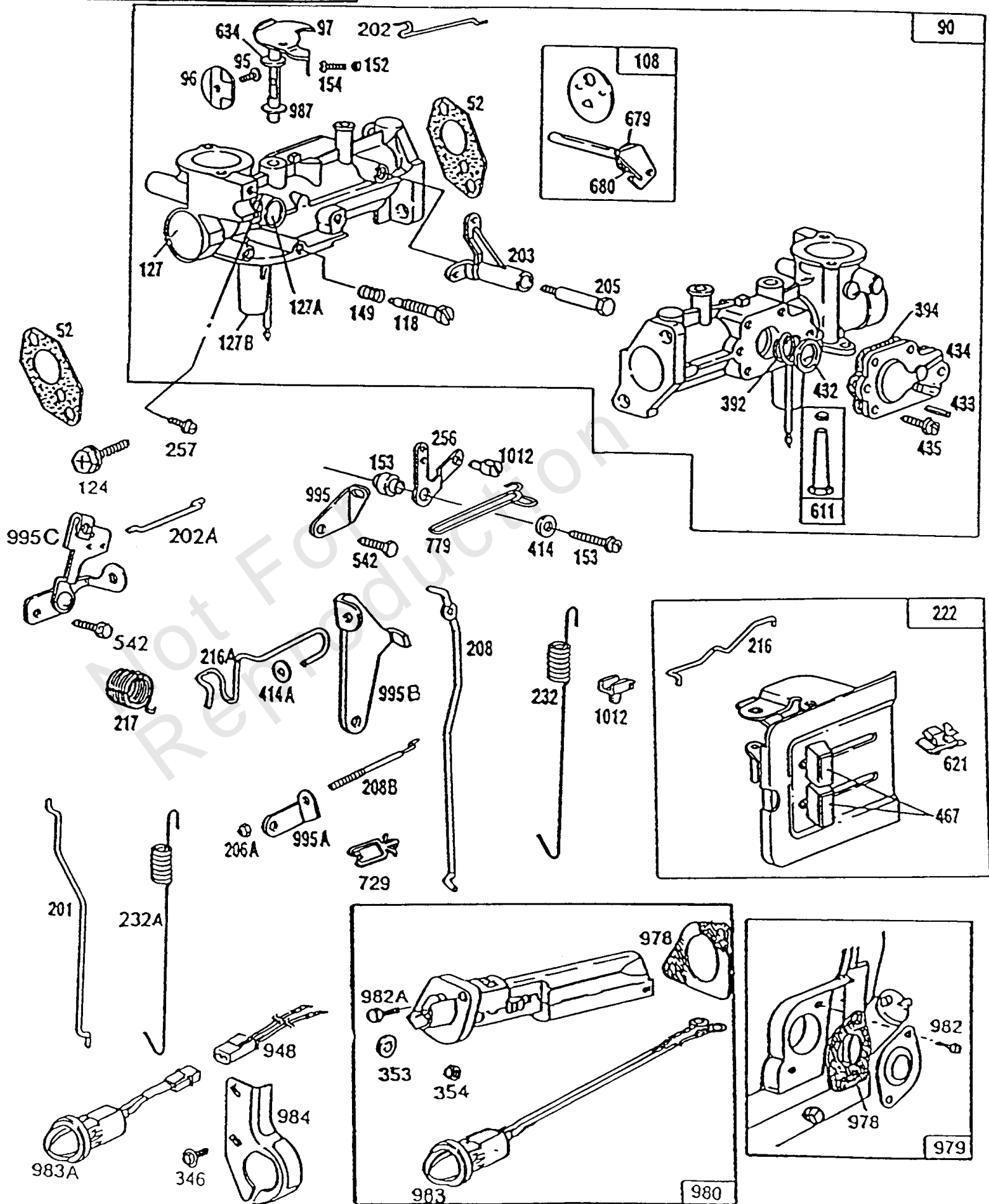
Blower Hsg, Flywheel, Rewind

| REF NO | PART NO | QTY | DESCRIPTION |
|--------|---------|-----|--|
| 332 | 92284 | | NUT -(Flywheel) |
| 333 | 397358 | | ARMATURE-MAGNETO |
| 334 | 93613 | | SCREW -(Armature) |
| 335 | 93414 | | SCREW |
| 346 | 93705 | | SCREW -(8-32 X 3/8) |
| 356 | 398808 | | WIRE, Stop -(Cut To Required Length) |
| 363 | 19069 | | PULLER, Flywheel |
| 373 | 92987 | | STARTER, Rewind |
| 474A | 494254 | | ALTERNATOR -Used Before Code Date 91041500 |
| 474 | 494254 | | ALTERNATOR -Used After Code Date 91041400 |
| 481A | 230970 | | BUSHING, Alternator -Used Before Code Date 91041500 |
| 481 | 231767 | | BUSHING, Alternator -Used After Code Date 91041400 |
| 482 | 93639 | | SCREW |
| 575 | 396291 | | SWITCH, Starting -Uses: 392832 Key Set |
| 608 | 390463 | | STARTER-REWIND |
| 638 | 93713 | | WASHER |
| 655 | 222598 | | ANCHOR, Rewind Spring -(Stamped Rewind Housing) |
| 670 | 261065 | | SPACER |
| 682 | 211516 | | SHIELD, Starter |
| 712 | 223140 | | GUARD, Flywheel -(With One Tab for 1-5/8 Cut Out in Blower Hsg) |
| 726 | 494548 | | GEAR, Ring -(Includes Mounting Hardware) |
| 823 | 93712 | | SCREW |
| 851 | 221798 | | TERMINAL, Spark Plug |
| 877 | 393854 | | WIRE/CONNECTOR, Alternator |
| 878 | 393422 | | WIRE ASSEMBLY -(Dc Only) |
| 949 | 280680 | | GUARD, Rewind |
| 1002 | 280783 | | TRIM, Blower Housing Cover |
| 1016 | 490817 | | SPACER-REWIND -(Rewind) |

Footnotes:

To Replace Crankshaft Gear Pin, Order Part No. 230978

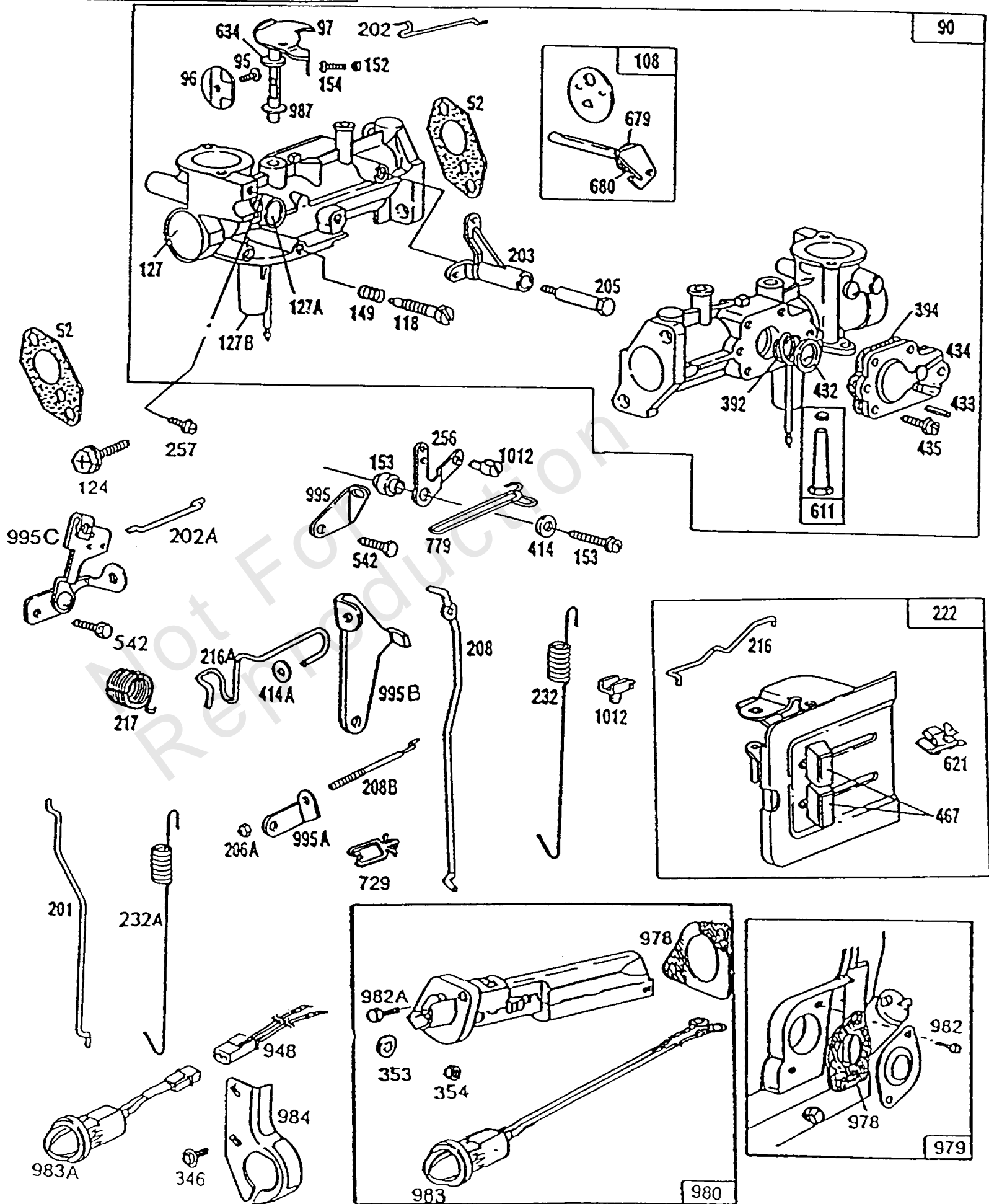
121 CARBURETOR OVERHAUL KIT



Carburetor, Controls, Oil Gard

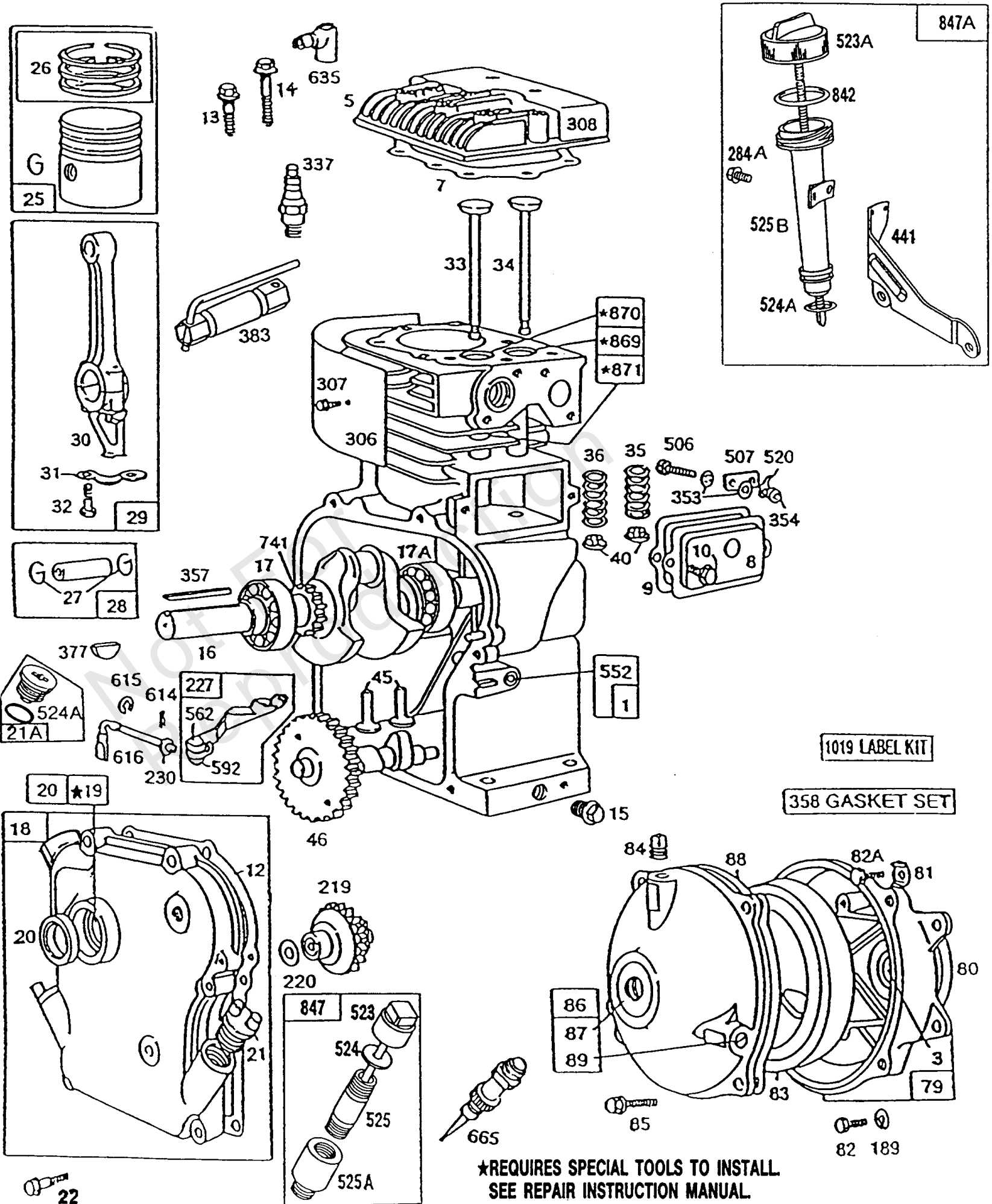
| REF NO | PART NO | QTY | DESCRIPTION |
|--------|---------|-----|--|
| 52 | 271936 | | GASKET, Intake -Included in Gasket Set-Part No. 397145. Included in Carburetor Overhaul Kit-Part No. 494624 |
| 90 | 492611 | | CARBURETOR |
| 95 | 93499 | | SCREW -(Throttle Valve) |
| 96 | 223793 | | VALVE, Throttle |
| 97 | 490048 | | SHAFT, Throttle |
| 108 | 491177 | | KIT, Choke Shaft |
| 118 | 231533 | | VALVE, Float Needle |
| 121 | 494624 | | KIT, Carburetor Overhaul |
| 124 | 93357 | | SCREW |
| 127B | 223472 | | PLUG, Welch -Used After Code Date 87011100 and Before Code Date 89022500 |
| 127A | 223789 | | PLUG, Welch |
| 127B | 223790 | | PLUG, Welch -Used Before Code Date 87011200 |
| 127 | 220352 | | PLUG, Welch |
| 149 | 26336 | | SPRING, Needle Valve |
| 152 | 260575 | | SPRING, Throttle Return |
| 153 | 490589 | | SCREW -(Carburetor) |
| 154 | 93527 | | SCREW -(5-40 X 5/8) |
| 201 | 262280 | | LINK, Mechanical Governor |
| 202A | 262470 | | LINK, Throttle |
| 202 | 262270 | | LINK, Throttle -(Mechanical Governor) |
| 203 | 280720 | | CRANK, Bell -(Mechanical Governor) |
| 205 | 231520 | | SCREW -(8-32) |
| 206A | 94081 | | NUT |
| 208B | 262321 | | ROD, Governor Control |
| 208 | 262279 | | ROD, Governor Control |
| 216A | 262275 | | LINK, Choke |
| 216 | 262274 | | LINK, Choke -Used Before Code Date 87030200 |
| 216 | 262359 | | LINK, Choke -Used After Code Date 87030100 |
| 217 | 262281 | | SPRING/LINK, Mechanical Governor |
| 222 | 490649 | | BRACKET, Control |
| 232A | 262310 | | SPRING, Governor -(Return) |
| 232 | 262288 | | SPRING, Governor -(Return) |
| 256 | 223813 | | CRANK, Bell |
| 257 | 93543 | | SCREW -(10-32 X 3/8) |
| 346 | 93705 | | SCREW -(8-32 X 3/8) |
| 353 | 92791 | | WASHER |
| 354 | 90576 | | NUT -(Ground Terminal) |
| 392 | 262328 | | SPRING, Pump Diaphragm |
| 394 | 270026 | | DIAPHRAGM, Carburetor -Included in Carburetor Overhaul Kit-Part No. 494624 |

121 CARBURETOR OVERHAUL KIT



Carburetor, Controls, Oil Gard

| REF NO | PART NO | QTY | DESCRIPTION |
|--------|---------|-----|---|
| 414A | 221198 | | WASHER |
| 414 | 220982 | | WASHER |
| 432 | 221377 | | CAP, Spring |
| 433 | 93265 | | PIN, Locating |
| 434 | 210959 | | COVER, Diaphragm |
| 435 | 93141 | | SCREW -(Diaphragm Cover) |
| 467 | 280715 | | KNOB, Control |
| 542 | 93572 | | SCREW -(10-32 X 3/8) |
| 611 | 391813 | | TUBE-PICK UP -(2 And 3 Quart Tanks) |
| 621 | 396847 | | SWITCH, Stop |
| 634 | 271853 | | WASHER -(Foam) |
| 679 | 270382 | | WASHER -(Foam) |
| 680 | 221839 | | WASHER |
| 729 | 280590 | | CLIP, Wire |
| 779 | 262276 | | LINK, Control |
| 948 | 398661 | | HARNESS, Wiring |
| 978 | 271736 | | GASKET, Oil Guard -(Oil Guard) |
| 979 | 494807 | | COVER, Oil Guard |
| 980 | 398182 | | KIT, Oil Gard |
| 982A | 94657 | | SCREW |
| 982 | 94658 | | SCREW |
| 983A | 398660 | | LIGHT, Indicator -(Mounting With Light Bracket) |
| 983 | 490489 | | LIGHT, Indicator -Uses: 280275 Tie-Cable |
| 984 | 223773 | | BRACKET, Oil Guard Light |
| 987 | 398970 | | SEAL, Throttle Shaft -(Lmt 46, 49, 50, 51, 53, 86) |
| 995C | 491577 | | BRACKET, Link |
| 995B | 223814 | | BRACKET, Link |
| 995A | 491577 | | BRACKET, Link |
| 995 | 223887 | | BRACKET, Link |
| 1012 | 490507 | | RETAINER, Link |



Cylinder, Gear Case, Piston Grp

| REF NO | PART NO | QTY | DESCRIPTION |
|--------|---------|-----|--|
| 1 | 395990 | | CYLINDER ASSEMBLY |
| 1 | 398765 | | CYLINDER ASSEMBLY -(Oil Guard) -Used Before Code Date 91070100 |
| 1 | 494955 | | CYLINDER ASSEMBLY -Used After Code Date 91063000 |
| 3 | 299819 | | SEAL, Oil -(Plain Bearing) Included in Gasket Set-Part No. 397145 |
| 5 | 211542 | | HEAD, Cylinder |
| 7 | 272157 | | GASKET, Cylinder Head -Included in Gasket Set-Part No. 397145 |
| 8 | 294178 | | COVER, Breather Passage |
| 9 | 27549 | | GASKET, Rocker Cover -Included in Gasket Set-Part No. 397145 |
| 10 | 94621 | | SCREW -(Breather Assembly) |
| 12 | 270080 | | GASKET, Crankcase -(.015) Included in Gasket Set-Part No. 397145 |
| 12 | 270125 | | GASKET, CRANKCASE -(.005) Included in Gasket Set-Part No. 397145 |
| 12 | 270126 | | GASKET-CRKCSE/009 -(.009) Included in Gasket Set-Part No. 397145 |
| 13 | 93368 | | SCREW -(2 3/32) |
| 13 | 93583 | | STUD -(Cylinder Head) |
| 14 | 93369 | | SCREW -(2-15/32)(Cylinder Head) |
| 14 | 93583 | | STUD -(Cylinder Head) |
| 15 | 91249 | | PLUG, Oil Drain -(1/4 Square) |
| 15 | 93448 | | PLUG, Oil Drain -(Flush) (1/4-18 NPTF) (Flush) (1/4 18 NPTF) |
| 15 | 94174 | | PLUG, Oil Drain |
| 16 | 493290 | | CRANKSHAFT -To Replace Crankshaft Gear Pin, Order Part No. 230978 |
| 17 | 99158 | | BEARING-BALL |
| 18 | 298204 | | COVER, Crankcase -(Ball Bearing) |
| 19 | 297603 | | KIT, Bushing/Seal |
| 20 | 393812 | | SEAL-OIL |
| 21A | 399195 | | PLUG, Oil -(High Oil Fill) |
| 21 | 66768 | | PLUG, Oil |
| 22 | 93032 | | SCREW -(Fuel Tank) (Tank) |
| 22 | 93656 | | STUD |
| 22 | 94067 | | STUD |
| 25 | 298904 | | PISTON ASSEMBLY -(Standard) |
| 25 | 298905 | | PISTON ASSEMBLY -(.010 Oversize) |
| 25 | 298906 | | PISTON ASSEMBLY -(.020 Oversize) |

Footnotes:

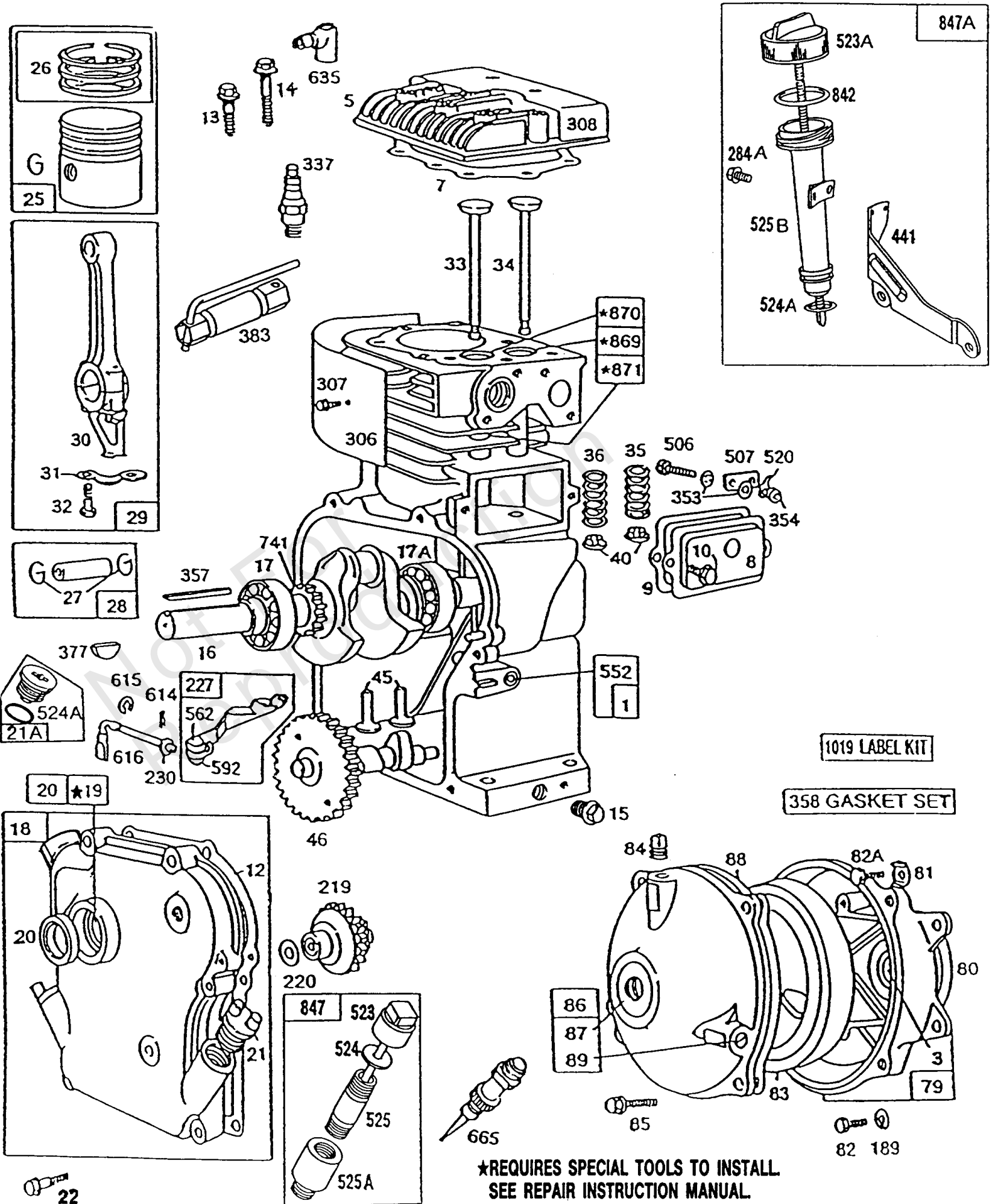
To Replace Crankshaft Gear Pin, Order Part No. 230978

Cylinder, Gear Case, Piston Grp

| REF NO | PART NO | QTY | DESCRIPTION |
|--------|---------|-----|---|
| 25 | 298907 | | PISTON ASSEMBLY -(.030 Oversize) |
| 26 | 298982 | | RING SET-STD -(Standard) |
| 26 | 298983 | | SET, Ring -(.010 Oversize) |
| 26 | 298984 | | RING SET-020 -(.020 Oversize) |
| 26 | 298985 | | SET, Ring -(.030 Oversize) |
| 26 | 299742 | | SET, Ring -(Standard) |
| 27 | 26026 | | LOCK, Piston Pin |
| 28 | 298908 | | PIN, Piston -(.005 Oversize) |
| 28 | 298909 | | PIN, Piston |
| 29 | 299430 | | ROD, Connecting -For Connecting Rod With .020 Undersize Crankpin Bore-Order No. 390459 |
| 30 | 221890 | | DIPPER, Connecting Rod |
| 31 | 221876 | | LOCK, Screw Head |
| 32 | 92296 | | SCREW -(Connecting Rod) |
| 33 | 211119 | | VALVE, Exhaust |
| 33 | 262464 | | VALVE, Exhaust -Used After Code Date 90051400 |
| 34 | 261044 | | VALVE, Intake |
| 35 | 260552 | | SPRING, Valve -(Exhaust) |
| 36 | 262750 | | SPRING, Valve -(Exhaust) -Used After Code Date 90051400 |
| 36 | 26478 | | SPRING, Valve -(Exhaust) |
| 40 | 230126 | | PIN, Retainer |
| 40 | 292259 | | RETAINER, Valve -(Exhaust) |
| 40 | 491442 | | RETAINER, Valve -(Exhaust) -Used After Code Date 90051400 |
| 40 | 93312 | | RETAINER, Valve -(Valves With Groove In Stem) |
| 45 | 260642 | | TAPPET, Valve |
| 46 | 212733 | | CAMSHAFT |
| 79 | 290779 | | CASE, Gear Reduction |
| 80 | 27667 | | GASKET, Gear Case |
| 81 | 220234 | | LOCK, Muffler Screw |
| 82A | 92279 | | SCREW -(5/16-24 X 1/2) |
| 82 | 91541 | | SCREW -(5/16-24 X 7/8) |
| 83 | 211293 | | SHAFT, Auxiliary Drive |
| 84 | 92617 | | SCREW -(Gear Case) |
| 85 | 92747 | | SCREW -(Used on Two Top Holes to Mount Cover) |

Footnotes:

To Replace Crankshaft Gear Pin, Order Part No. 230978

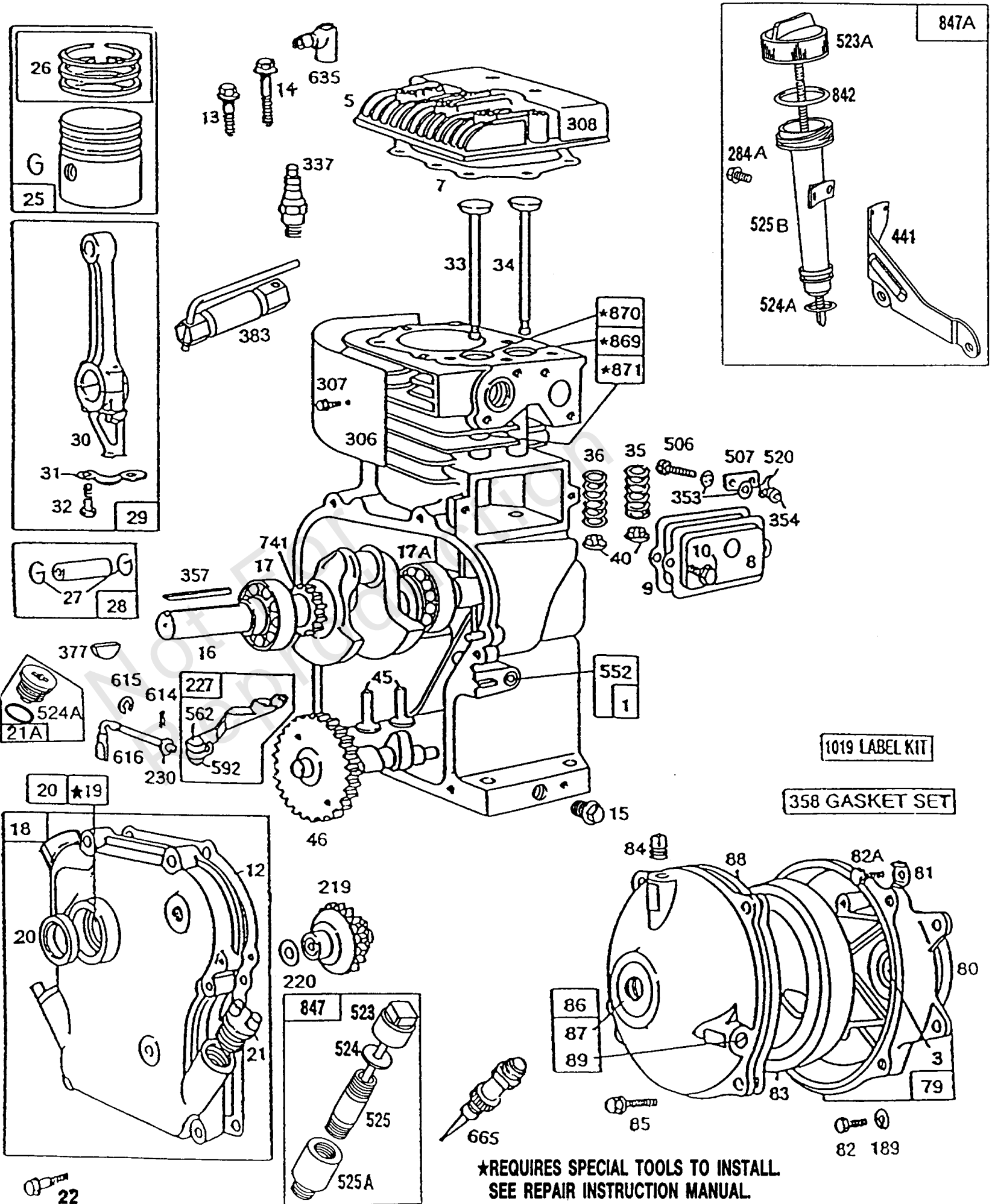


Cylinder, Gear Case, Piston Grp

| REF NO | PART NO | QTY | DESCRIPTION |
|--------|---------|-----|--|
| 86 | 291730 | | COVER, Gear |
| 87 | 19011 | | SEAL, Oil |
| 88 | 27313 | | GASKET, Gear Cover/Housing |
| 89 | 93448 | | PLUG, Oil Drain -(Flush) (1/4-18 NPTF) (Flush) (1/4 18 NPTF) |
| 189 | 90366 | | WASHER |
| 219 | 391737 | | GEAR, Governor -Used Before Code Date 91061000 |
| 219 | 494845 | | GEAR, Governor -Used After Code Date 91060900 |
| 220 | 221551 | | WASHER -(Governor Lever) |
| 227 | 490374 | | LEVER, Governor Control |
| 230 | 222450 | | WASHER |
| 284A | 94620 | | SCREW -(Control Panel) |
| 306 | 221511 | | SHIELD, Cylinder |
| 307 | 93042 | | SCREW -Used Before Code Date 87020900 |
| 307 | 93490 | | SCREW -Used After Code Date 87020800 |
| 308 | 221512 | | COVER, Cylinder Head |
| 337 | 293918 | | PLUG, Spark |
| 337 | 298809 | | PLUG, Spark |
| 337 | 492167 | | PLUG, Spark |
| 337 | 802592 | | PLUG, Spark -(Resistor) |
| 353 | 92791 | | WASHER |
| 354 | 90576 | | NUT -(Ground Terminal) |
| 357 | 91539 | | KEY, Drive Pulley -(3/16 Square) |
| 358 | 397145 | | GASKET SET, Engine |
| 377 | 93065 | | KEY, Woodruff -(#6) |
| 383 | 89838 | | WRENCH, Spark Plug |
| 441 | 224240 | | BRACKET, Oil Fill |
| 506 | 90200 | | SCREW -(8-32 X 1/2) |
| 507 | 66895 | | INSULATOR |
| 520 | 93722 | | TERMINAL, Ground |
| 523A | 494416 | | DIPSTICK/CAP ASSEMBLY -Used After Code Date 90102800 |
| 523A | 492249 | | DIPSTICK/CAP ASSEMBLY -Used Before Code Date 90102900 |
| 523 | 297357 | | DIPSTICK/CAP ASSEMBLY |
| 524A | 271485 | | SEAL, O-Ring -(Dipstick Tube) (Oil Fill) |
| 524 | 65304 | | SEAL, O-Ring -(Dipstick Cap) |
| 525B | 280508 | | TUBE, Dipstick -(Electric And Vertical Pull Starter) -Used Before Code Date 90102900 |
| 525A | 394884 | | TUBE, Dipstick |

Footnotes:

To Replace Crankshaft Gear Pin, Order Part No. 230978

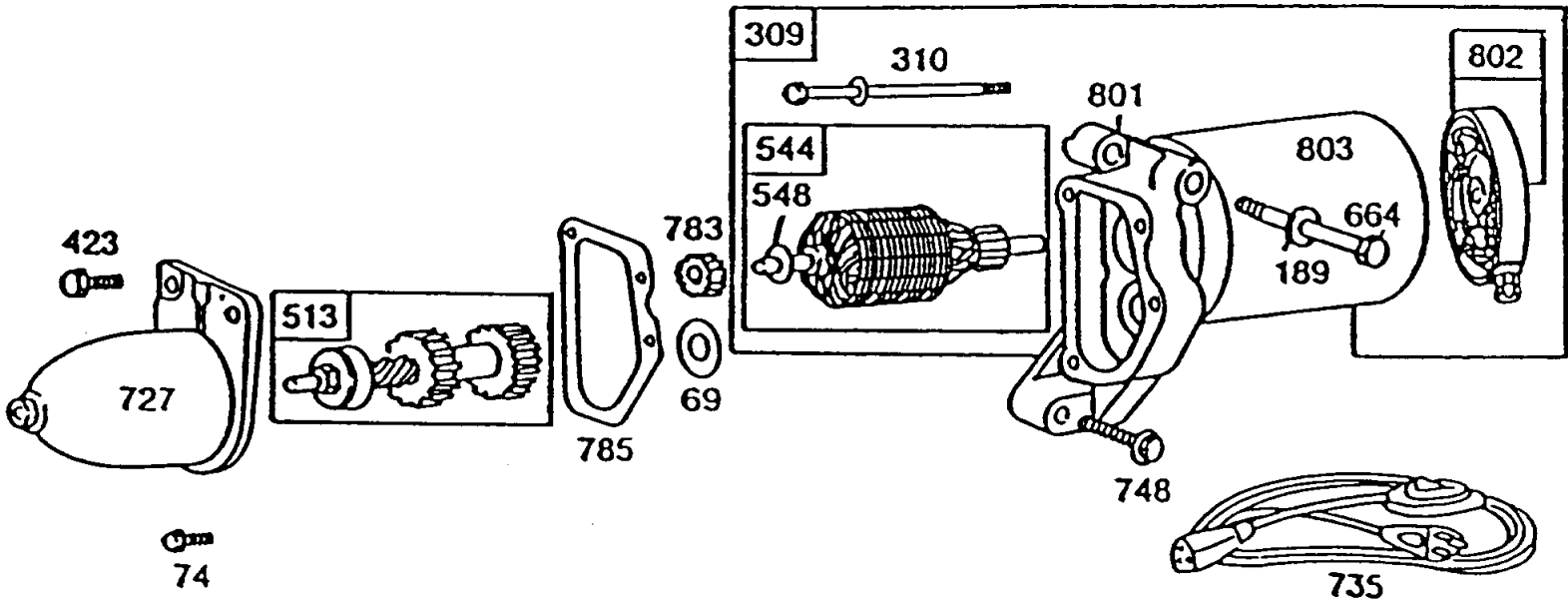


Cylinder, Gear Case, Piston Grp

| REF NO | PART NO | QTY | DESCRIPTION |
|--------|---------|-----|---|
| 525B | 280578 | | TUBE, Dipstick -Used After Code Date 90102800 |
| 525 | 91258 | | TUBE, Dipstick -(2 1/2) |
| 552 | 231079 | | BUSHING, Governor Crank -(1/4 I.D.) |
| 562 | 92613 | | BOLT -(Governor Lever) |
| 592 | 231082 | | NUT -(Governor Control) |
| 614 | 93306 | | PIN, Cotter |
| 615 | 93307 | | RETAINER, Governor Shaft |
| 616 | 231077 | | CRANK, Governor -(1/4 Diameter) |
| 635 | 66538 | | BOOT, Spark Plug |
| 665 | 298858 | | MINDER, Oil |
| 741 | 261696 | | GEAR, TIMING -(Plain Bearing) |
| 741 | 262060 | | GEAR-TIMING -(Ball Bearing) |
| 842 | 270920 | | SEAL, O-Ring -(Dipstick Tube) (Oil Fill) |
| 847A | 493367 | | DIPSTICK/TUBE ASSEMBLY -Used Before Code Date 90102900 |
| 847A | 494417 | | DIPSTICK/TUBE ASSEMBLY -Used After Code Date 90102800 |
| 847 | 493955 | | DIPSTICK/TUBE ASSEMBLY |
| 869 | 211787 | | SEAT, Valve -(Intake) |
| 870 | 211172 | | SEAT, Valve -(Intake) |
| 871 | 262001 | | BUSHING-VALVE GUIDE -(Exhaust) |
| 871 | 63709 | | BUSHING, Valve Guide -(Intake) |
| 1019 | 491100 | | KIT, Label |

Footnotes:

To Replace Crankshaft Gear Pin, Order Part No. 230978



| Reference Numbers | | | | | | | | | |
|-------------------|------------|------------|--------|------------|------------|------------|--------|--------|-----------|
| 69 | 310 | 423 | 548 | 664 | 727 | 748 | 783 | 785 | 801 |
| Washer | Motor Bolt | Sem. Screw | Washer | Mtg. Screw | Drive Hsg. | Mtg. Screw | Pinion | Gasket | Mtg. Head |
| 93676 | 93648 | 93654 | 93649 | 93358 | 390543 | 93534 | 230972 | 270718 | 390544 |

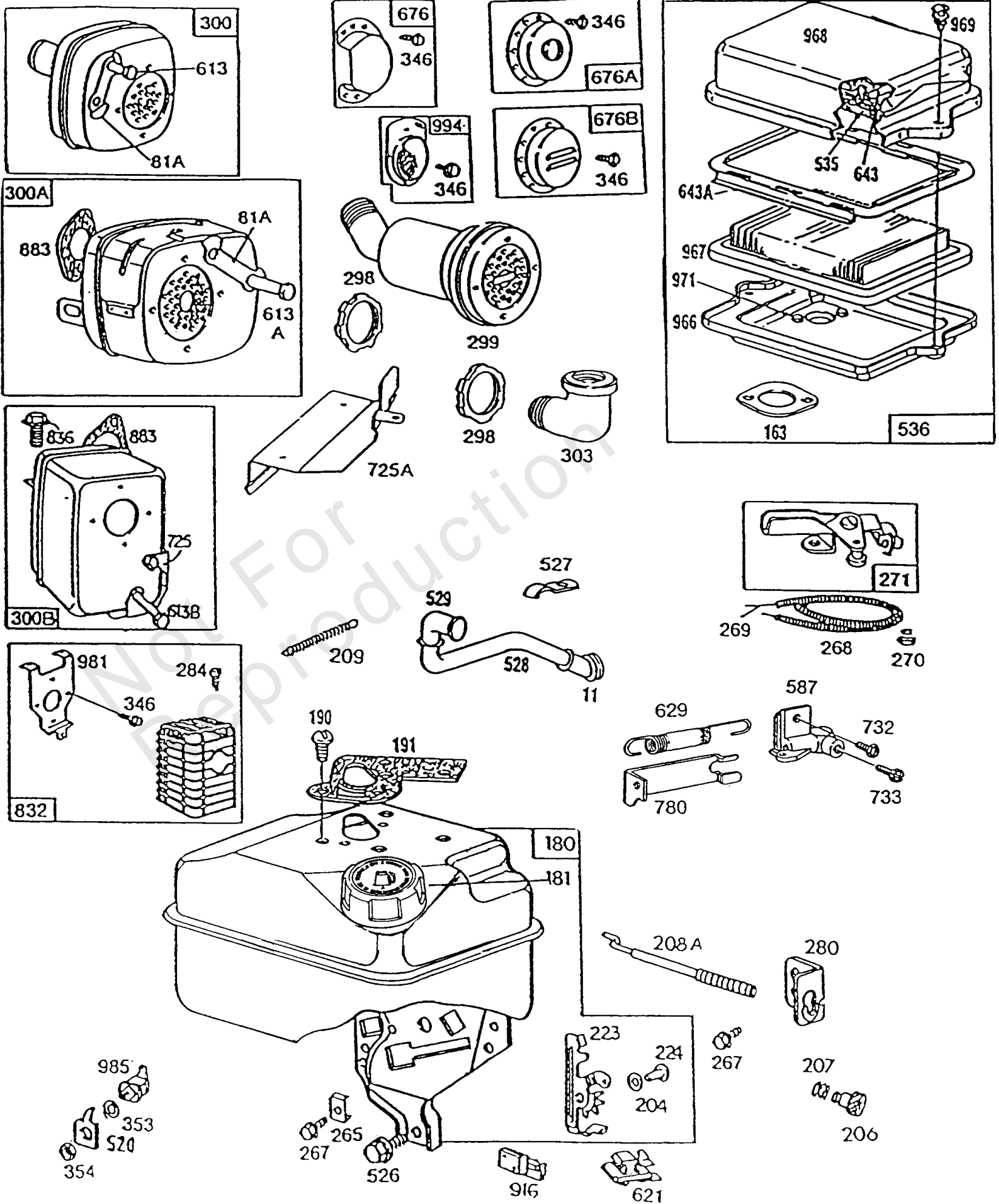
| Reference Number | 309 | 513 | 544 | 802 | 803 |
|---------------------------|--------------|-----------------------|--------------------------|--|-------------------------|
| | Motor | Drive Assembly | Armature Assembly | End Cap Assembly Commutator | Housing Assembly |
| Starter Motor Mfr. | | | | | |
| American | | | | | |
| Bosch | | | | | |
| 12V | 390551* | 391029 | 390467 | 390465 | 390468 |
| 120V | 393842** | 391029 | - | - | - |

*Uses #92813 Lockwasher and # 231082 Hex Nut

**Includes Entire Motor and Drive Assembly

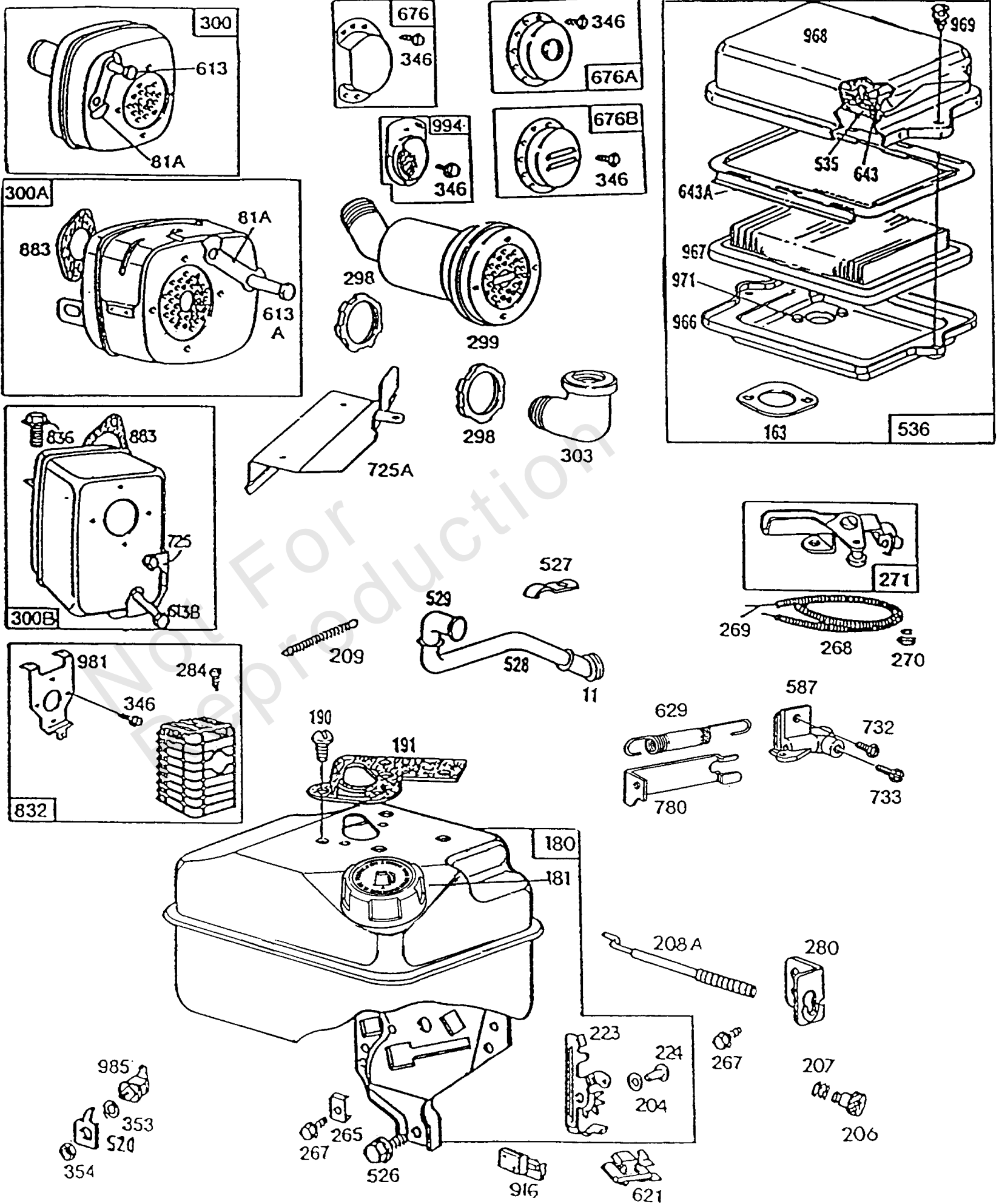
Electric Starter

| REF NO | PART NO | QTY | DESCRIPTION |
|--------|---------|-----|--|
| 69 | 93676 | | WASHER -(Spring) |
| 74 | 93490 | | SCREW -(Rotating Screen) |
| 74 | 93808 | | SCREW |
| 189 | 90366 | | WASHER |
| 309 | 390551 | | MOTOR, Starter -(American Bosch 12V) Uses #92813 Lockwasher and #231082 Hex Nut |
| 309 | 393842 | | MOTOR, Starter -(American Bosch 110V) Includes Entire Motor and Drive Assembly |
| 310 | 93648 | | SCREW |
| 423 | 93654 | | SCREW |
| 513 | 391029 | | DRIVE, Starter -(American Bosch 110V) |
| 544 | 390467 | | ARMATURE, Starter -(American Bosch 12V) |
| 548 | 93649 | | WASHER |
| 664 | 93358 | | SCREW |
| 727 | 390543 | | COVER, Starter Drive -(Metal Flywheel Ring Gear) |
| 735 | 390900 | | CORD, Starter -(Includes Switch) |
| 748 | 93534 | | SCREW |
| 783 | 230972 | | GEAR, Pinion -Parts Common to the 12V and 110V Motors |
| 785 | 270718 | | GASKET, Starter Cover |
| 801 | 390544 | | CAP, Drive |
| 802 | 390465 | | CAP, End -(American Bosch 12V) |
| 803 | 390468 | | HOUSING, Starter -(American Bosch 12V) |



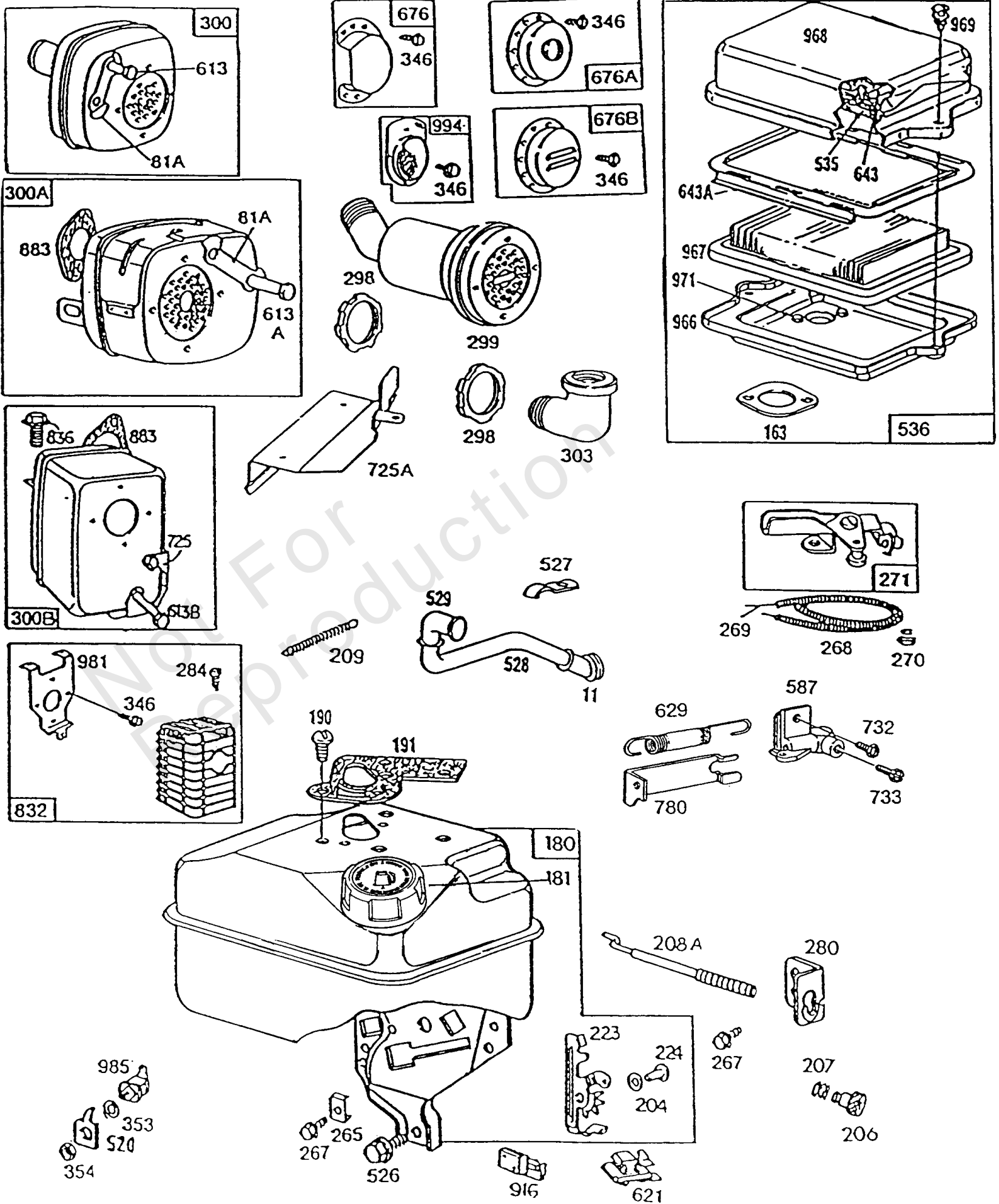
Mufflers, Deflectors, Fuel, A/C

| REF NO | PART NO | QTY | DESCRIPTION |
|--------|---------|-----|--|
| 11 | 66578 | | TUBE, Breather |
| 81A | 222263 | | LOCK, Muffler Screw -(3/8 Diameter Bolt Holes) |
| 163 | 271935 | | GASKET, Air Cleaner |
| 180 | 491424 | | TANK, Fuel -(1 Quart) Uses: 491266 Bracket-Control |
| 180 | 491424 | | TANK, Fuel -(1 Quart) Uses: 495114 Bracket-Control |
| 180 | 492927 | | TANK, Fuel |
| 181 | 490075 | | CAP, Fuel Tank |
| 190 | 94094 | | SCREW |
| 191 | 271928 | | GASKET, Fuel Tank -Included in Gasket Set-Part No. 397145. Included in Carburetor Overhaul Kit- Part No. 494624 |
| 204 | 222962 | | BUSHING, Lever |
| 206 | 231266 | | NUT, Governor Adjusting -(6-32) |
| 207 | 26855 | | SPRING, Governor Link |
| 208A | 262323 | | ROD, Governor Control |
| 209 | 262282 | | SPRING, Governor |
| 223 | 223455 | | LEVER, Governor Control |
| 224 | 93491 | | RIVET |
| 265 | 221535 | | CLAMP, Casing -(Stamped Steel) |
| 267 | 93496 | | SCREW -(10-32 X 5/8) |
| 268 | 66986 | | CASING, Control Wire -(Cut To Required Length) |
| 269 | 26099 | | WIRE, Control -(Cut To Required Length) If Longer Wire is Needed, Specify Length in Inches; if Shorter Wire is Needed, Order No. 26099 and Cut to Required Length. |
| 270 | 63426 | | NUT -(Control Wire Casing) |
| 271 | 290568 | | LEVER, Control |
| 280 | 223798 | | BRACKET, Control |
| 284 | 93572 | | SCREW -(10-32 X 3/8) |
| 298 | 261409 | | LOCKNUT -(Muffler and Elbow) |
| 299 | 393368 | | MUFFLER -(20 Degree) |
| 300A | 390918 | | MUFFLER -(Lo Tone) |
| 300A | 391313 | | MUFFLER -Uses: 223717 Spacer-Muffler Bracket 391232 Guard-Muffler |
| 300A | 391313 | | MUFFLER -Uses: 222361 Brace-Muffler 94153 Screw-Hex. Hd. |
| 300A | 222379 | | RETAINER, Muffler Guard -Used Before Code Date 88090300 |
| 300A | 93415 | | SCREW -(1/4-20 X 3/4) -Used Before Code Date 88090300 |
| 300B | 396001 | | MUFFLER -(Lo Tone) |
| 300A | 94186 | | SCREW -(Tapping) |
| 300A | 391313 | | MUFFLER -Uses: 222361 Brace-Muffler |



Mufflers, Deflectors, Fuel, A/C

| REF NO | PART NO | QTY | DESCRIPTION |
|--------|---------|-----|---|
| 300A | 94153 | | SCREW -Used After Code Date 88090200 |
| 300 | 393615 | | MUFFLER -(Lo Tone) Parts Furnished by Equipment Manufacturer |
| 303 | 91464 | | ELBOW, Exhaust -(90 Degree Street) |
| 303 | 94089 | | ELBOW, Exhaust -(45 Degree Street) |
| 346 | 93705 | | SCREW -(8-32 X 3/8) |
| 353 | 92791 | | WASHER |
| 354 | 90576 | | NUT -(Ground Terminal) |
| 520 | 93722 | | TERMINAL, Ground |
| 526 | 94409 | | SCREW -(Fuel Tank) |
| 527 | 223786 | | CLAMP, Tube |
| 528 | 231550 | | TUBE, Breather |
| 529 | 67838 | | GROMMET |
| 535 | 491435 | | FILTER, Pre Cleaner -(Pre-Cleaner) |
| 536 | 494279 | | CLEANER-AIR |
| 587 | 213474 | | CLAMP, Speed Control |
| 613B | 94054 | | SCREW -(Muffler) |
| 613A | 94042 | | SCREW -(Muffler) |
| 613 | 93935 | | SCREW -(Muffler) |
| 621 | 396847 | | SWITCH, Stop |
| 629 | 261137 | | SPRING, Throttle Return -(Throttle Return) |
| 643A | 280726 | | RETAINER, Air Filter |
| 643 | 280737 | | SUPPORT, Foam Element |
| 676A | 395700 | | DEFLECTOR, Muffler -(Direct Outlet) |
| 676 | 393757 | | DEFLECTOR, Muffler -(Side Outlet) |
| 725A | 223867 | | SHIELD, Heat |
| 725 | 223303 | | SHIELD, Heat |
| 732 | 94414 | | SCREW |
| 733 | 94415 | | SCREW |
| 780 | 224085 | | ANCHOR, Spring |
| 832 | 490534 | | GUARD, Muffler |
| 836 | 93559 | | SCREW -(Tank) (Fuel Tank) |
| 883 | 270918 | | GASKET, Exhaust -Included in Gasket Set-Part No. 397145 |
| 916 | 280321 | | RACK, Governor Gear -(Remote and Manual Choke) |
| 966 | 490074 | | BASE, Air Cleaner |
| 967 | 491588 | | FILTER, A/C Cartridge |
| 968 | 223765 | | COVER, Air Cleaner |
| 969 | 490073 | | SCREW -(Air Cleaner) |
| 971 | 94018 | | SCREW |



Mufflers, Deflectors, Fuel, A/C

| REF NO | PART NO | QTY | DESCRIPTION |
|---------------|----------------|------------|------------------------|
| 981 | 223373 | | BRACKET, Muffler Guard |
| 985 | 398525 | | INSULATOR |
| 994 | 399541 | | ARRESTOR, Spark |

Not For Reproduction

Replacement Engine - US & Canada

| REF NO | PART NO | QTY | DESCRIPTION |
|--------|------------|-----|---|
| | 1263321036 | 1 | Replacement Engine |
| | ----- | | Top No-Load Speed: 4000 -Trim: 01 |
| | ----- | | Service Note: Replacement engine listed is not available in the State of California. Repair with individual parts. |
| | ----- | | Service Note: If the replacement engine supersedes to or is a Model 120000 series engine, refer to the illustrations located after the conversion data for this model series. the overall dimensions that differ, are shown in the illustrations. |
| | ----- | | Service Note: If after making a visual inspection and it is determined the Model 120000 series engine cannot be used because of equipment interference, the original engine should be repaired with individual parts. |
| | ----- | | Service Note: For all Go-Karts use only a Model 136200 series engine as a replacement, regardless of the original Model. |

Not For Reproduction

