

# VANGUARD®



en Operator's Manual

da Betjeningsvejledning

de Bedienungsanleitung

el Εγχειρίδιο χρήσ

es Manual del operador

fi Käyttäjän käsikirja

fr Manuel d'utilisation

it Manuale dell'Operatore

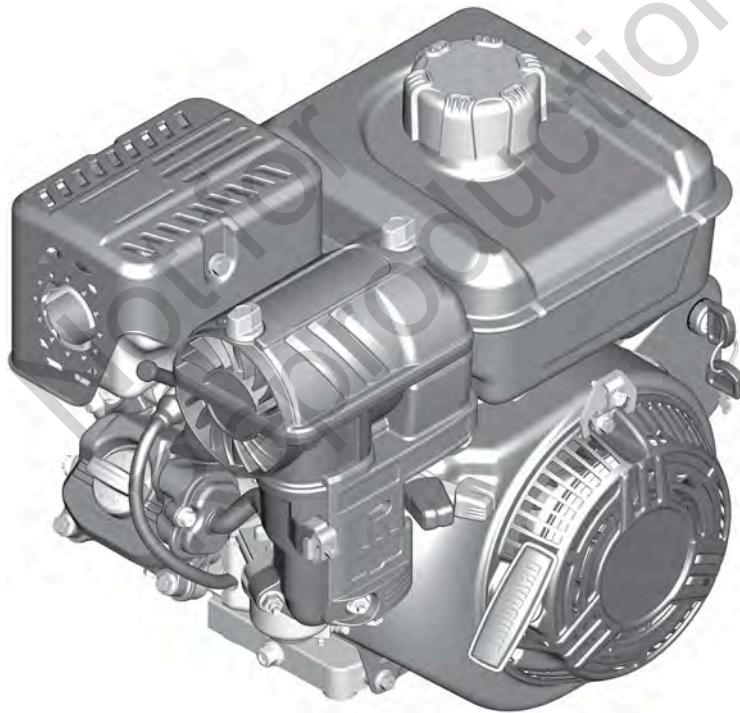
nl Gebruiksaanwijzing

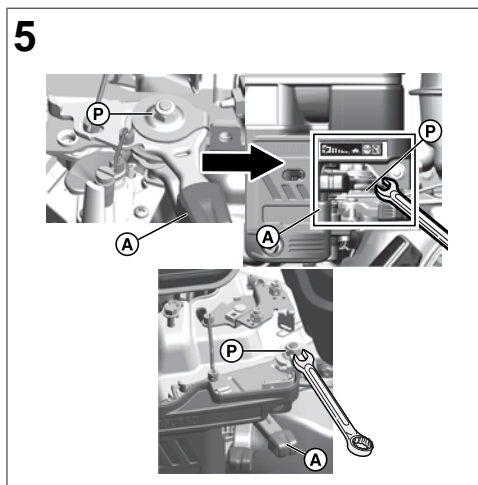
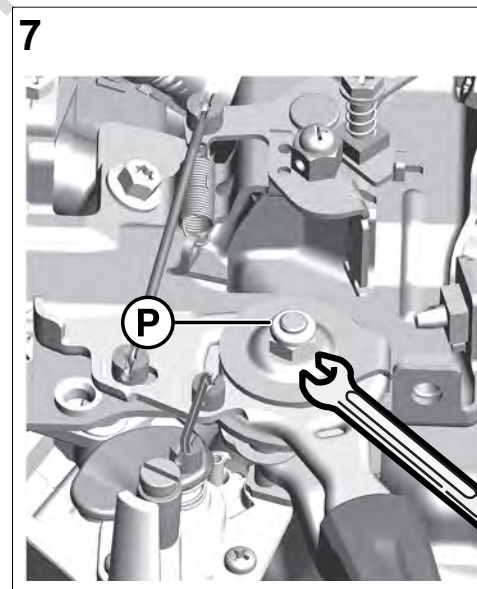
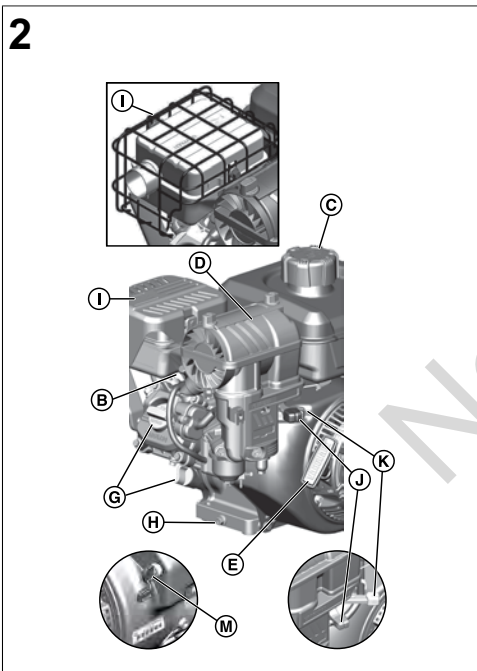
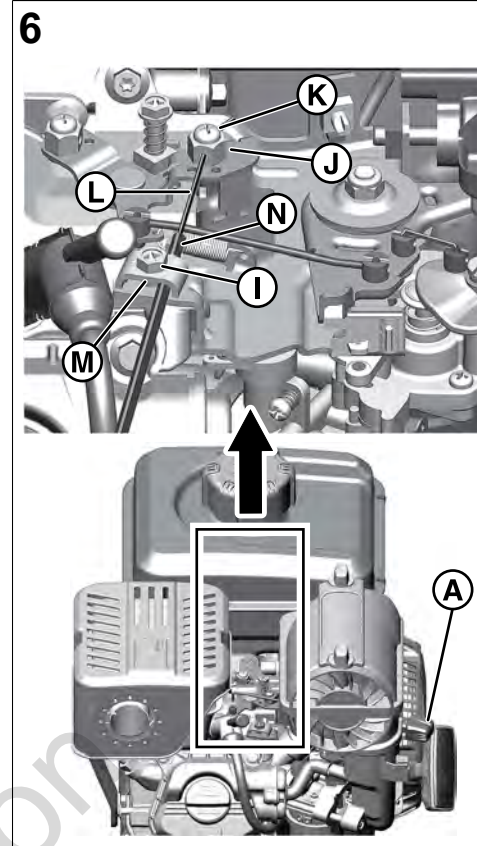
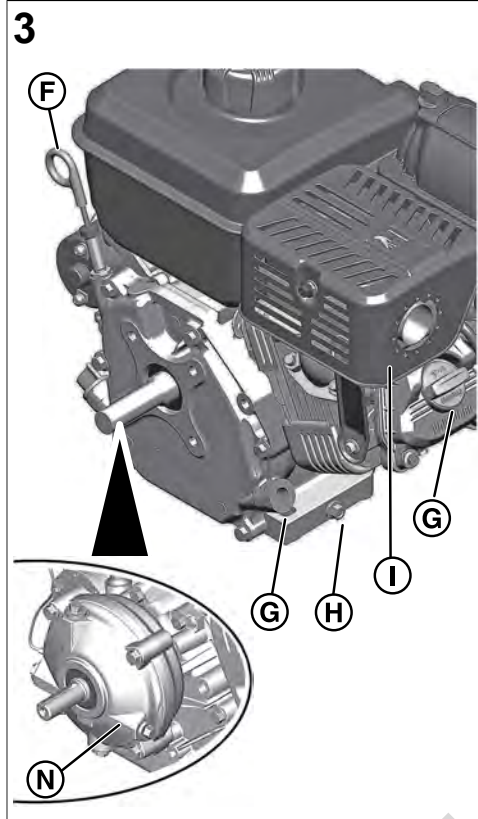
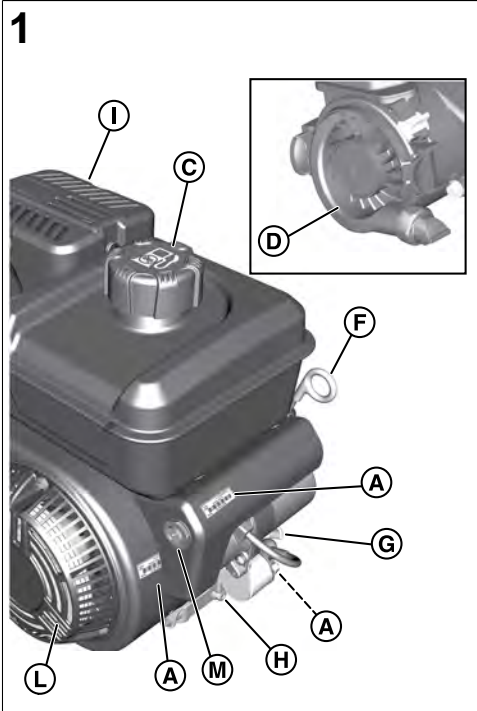
no Brukerhåndbok

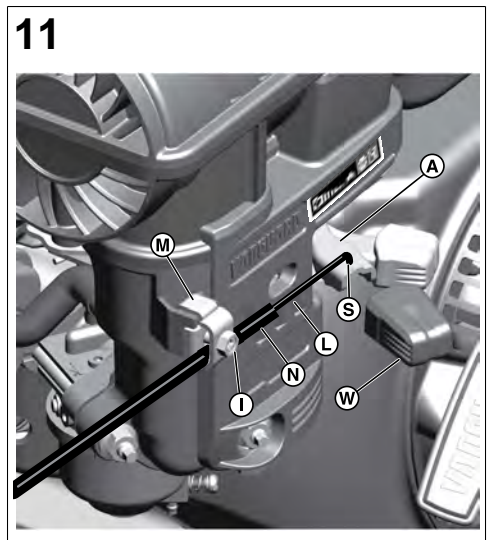
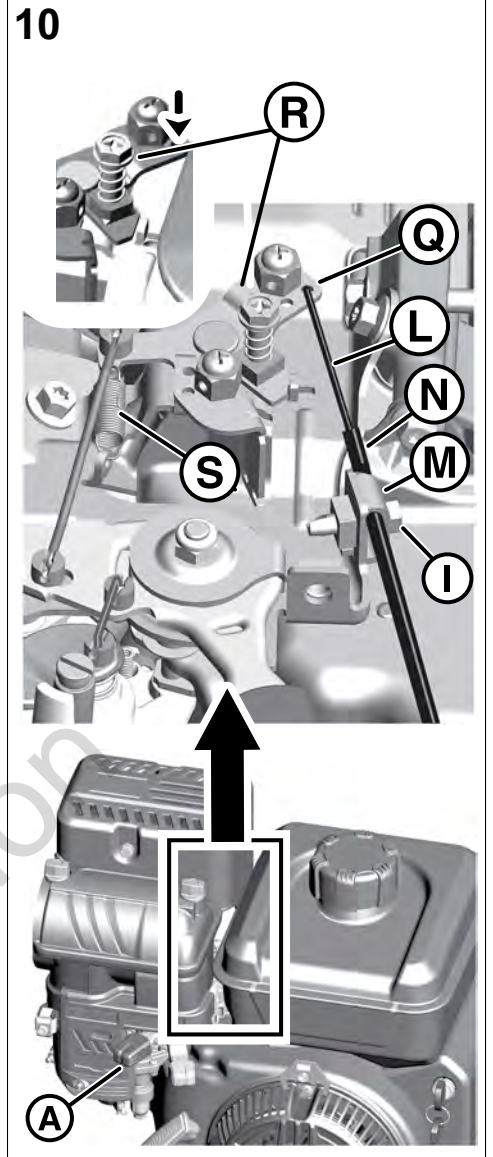
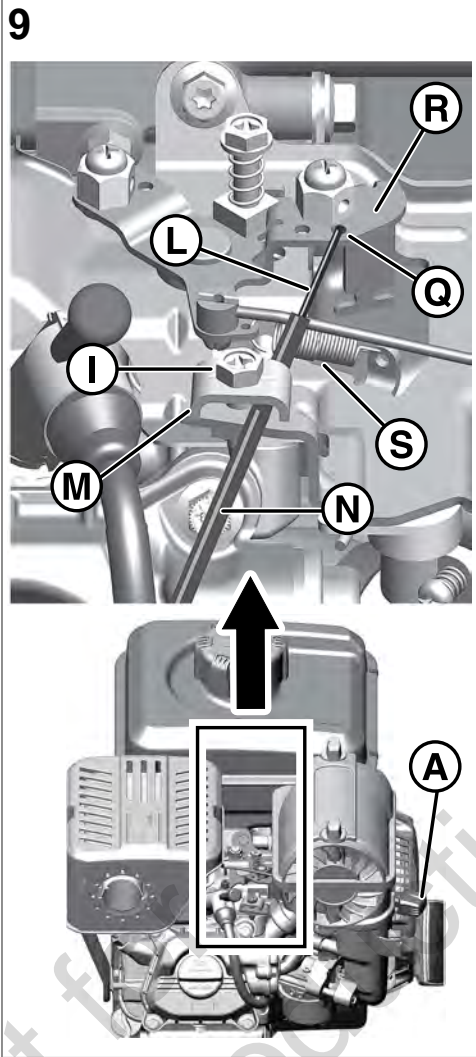
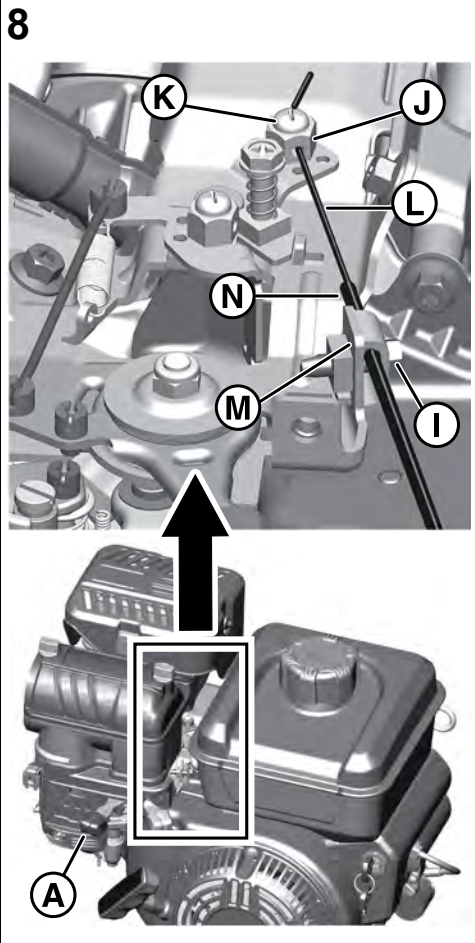
pt Manual do Operador

sv Instruktionsbok

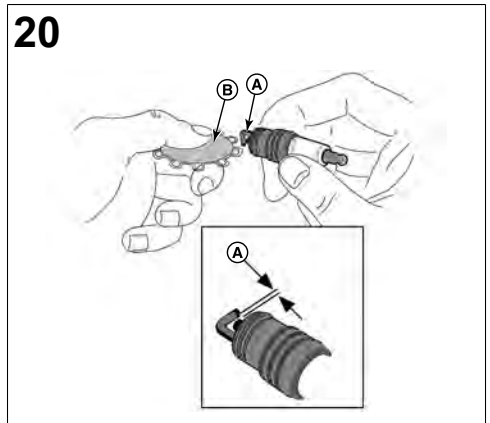
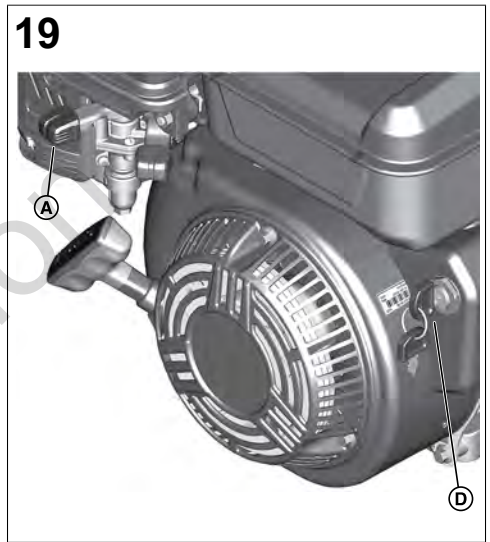
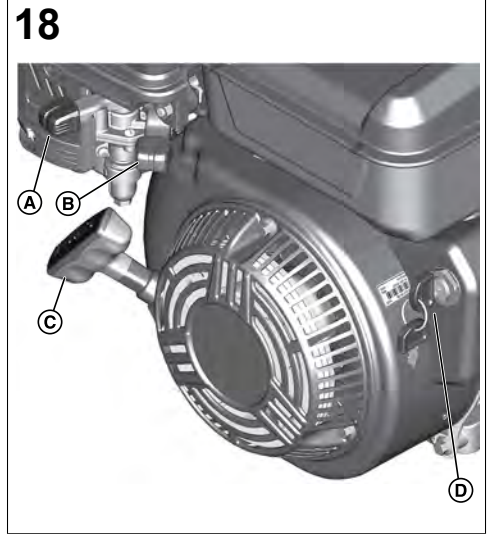
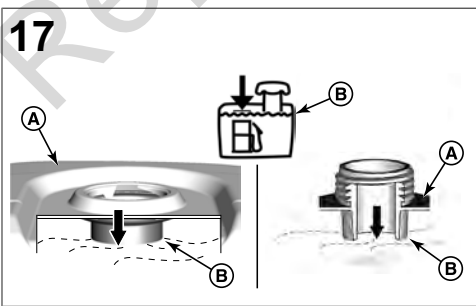
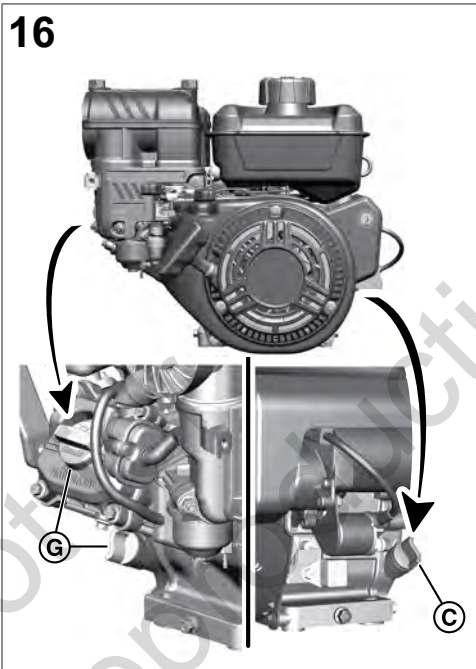
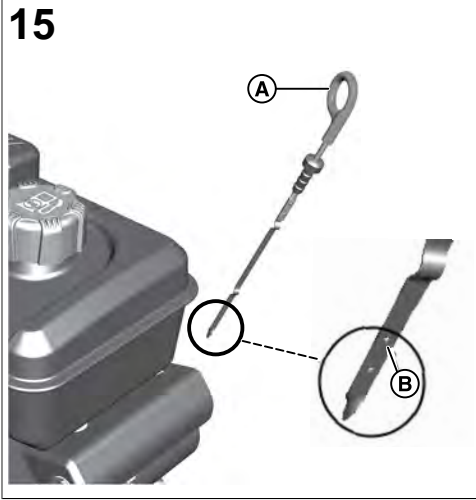
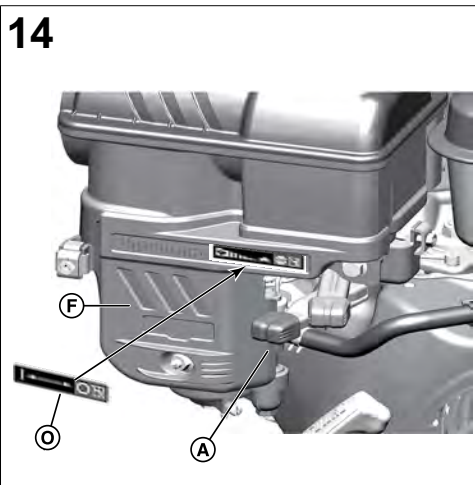
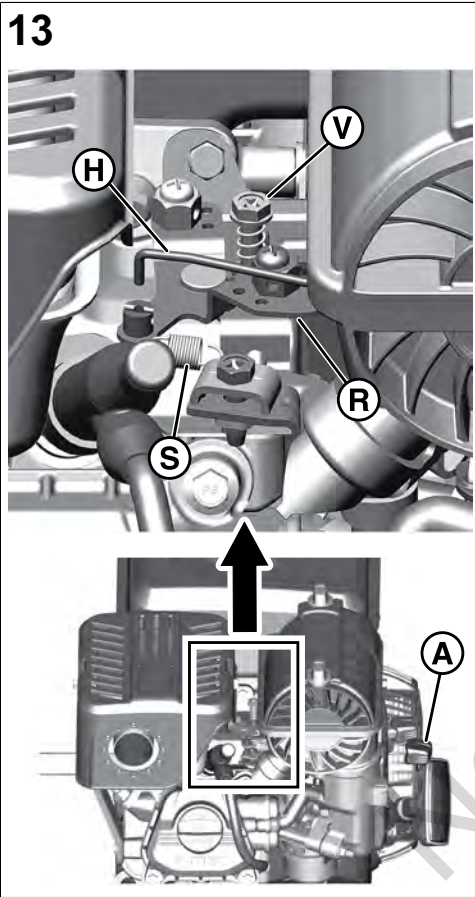
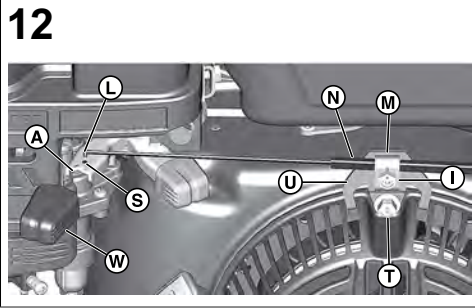
10V000, 12V000, 25V000

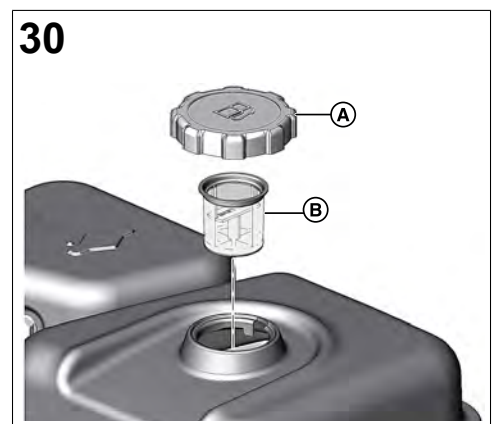
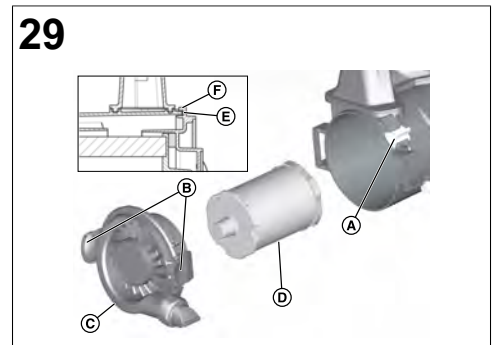
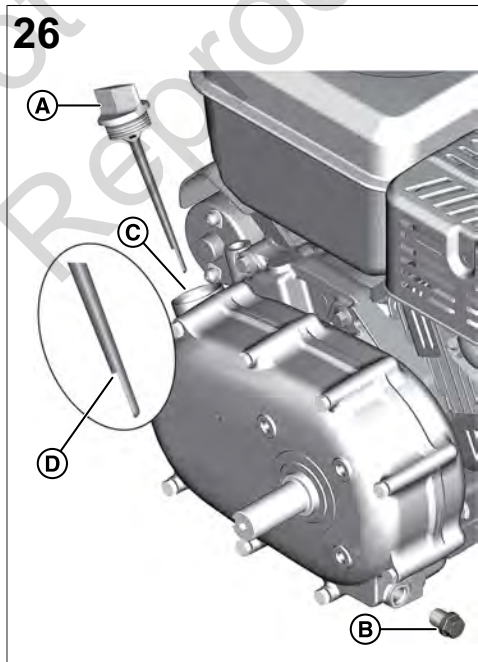
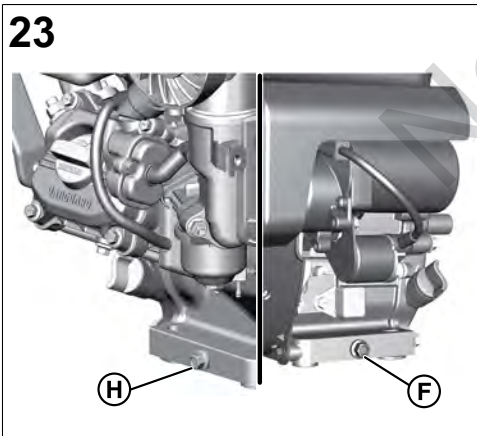
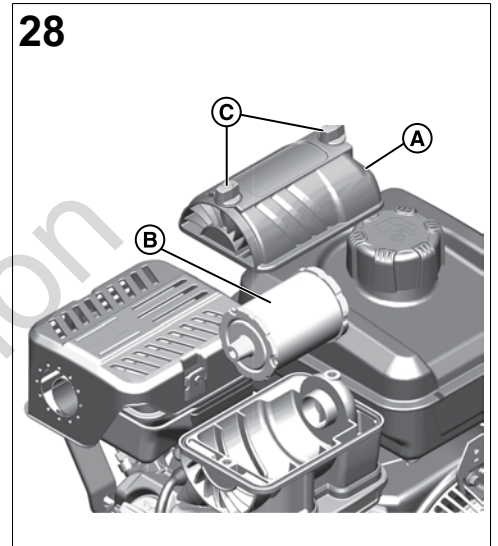
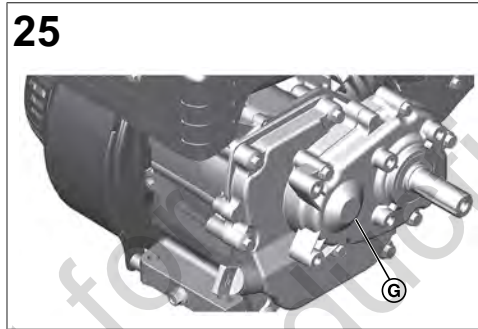
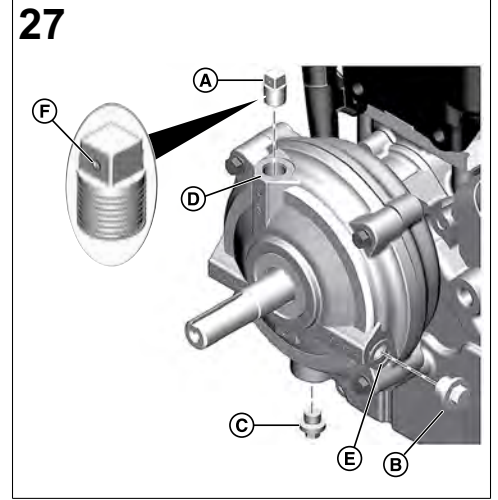
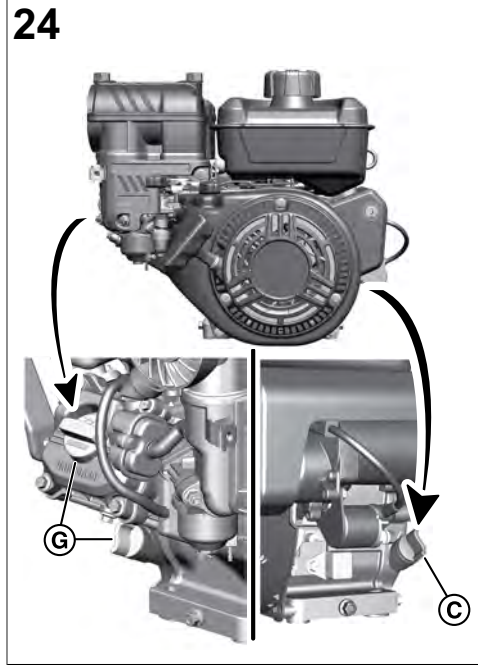
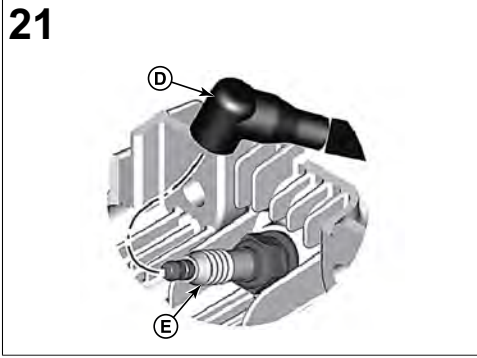




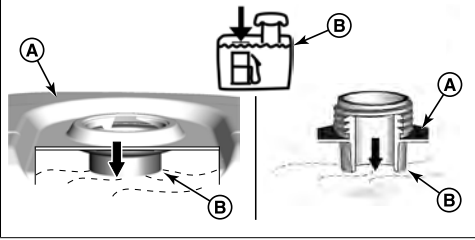


Not for  
Reproduction





31



Not for  
Reproduction

## General Information



This manual contains the safety information about the hazards and risks related to the engine and how to prevent them. It also contains the correct operation and maintenance of this engine. It is important that you read, understand, and obey these instructions. **Keep this manual for future reference.**

**NOTE:** The figures and illustrations in this manual are for information only and can be different from your model. Use the figures that align with your engine configuration. If it is necessary, speak to an Authorized Service Dealer.

Record the date of purchase, engine model, type, trim, and the engine serial number for replacement parts. These numbers are on your engine. Refer to the **Features and Controls** section.

Date of Purchase	
Engine Model - Type - Trim	
Engine Serial Number	

## European Office Contact Information

For questions related to European emissions, contact our European office at:

Max-Born-Straße 2, 68519 Viernheim, Germany.

## European Union (EU) Stage V (5): Carbon Dioxide (CO<sub>2</sub>) Values

Enter CO<sub>2</sub> in the search window on BriggsandStratton.com to find carbon dioxide values of Briggs & Stratton EU Type-Approval Certificate engines.

## Operator Safety

### Safety Alert Symbol and Signal Words



The safety alert symbol identifies safety information about hazards that could result in personal injury. A signal word (**DANGER**, **WARNING**, or **CAUTION**) is used to indicate the likelihood and the potential severity of injury. In addition, a hazard symbol is used to represent the type of hazard.

**DANGER** indicates a hazard which, if not avoided, **will** result in death or serious injury.

**WARNING** indicates a hazard which, if not avoided, **could** result in death or serious injury.

**CAUTION** indicates a hazard which, if not avoided, **could** result in minor or moderate injury.

**NOTICE** indicates information considered important but not hazard-related.

### Hazard Symbols and Meanings

	Safety information about hazards that can result in personal injury.		Read and understand the Operator's Manual before operating or servicing the unit.
	Fire Hazard		Explosion Hazard
	Shock Hazard		Toxic Fume Hazard
	Hot Surface Hazard		Kickback Hazard
	Amputation Hazard - Moving Parts		Fuel Level - Maximum Do Not Overfill

## Safety Messages



### WARNING

Briggs & Stratton® Engines are not designed for and are not to be used to power: fun-karts; go-karts; children's, recreational, or sport all-terrain vehicles (ATVs); motorbikes; hovercraft; aircraft products; or vehicles used in competitive events not sanctioned by Briggs & Stratton. For information about competitive racing products, see www.briggsracing.com. For use with utility and side-by-side ATVs, please contact Briggs & Stratton Power Application Center, 1-866-927-3349. Incorrect engine use could result in serious injury or death.

## Recycling Information

		Recycle all cartons, boxes, used oil, and batteries as specified by government regulations.
--	--	---

## Features and Controls

### Engine Controls

Compare the callout letters in Figures 1, 2, and 3 to the engine controls in the list that follows:

- A. Engine Identification Numbers **Model - Type - Code**
- B. Spark Plug
- C. Fuel Tank and Cap
- D. Air Cleaner
- E. Starter Cord Handle
- F. Oil Dipstick
- G. Oil Fill
- H. Oil Drain Plug
- I. Muffler, Muffler Guard (if installed), Spark Arrester (if installed)
- J. Throttle Control / Fuel Shut-off / TransportGuard™
- K. Choke Control
- L. Air Intake Grille
- M. Electric Start Switch (if installed)
- N. Reduction Unit (if installed)

Some engines and equipment have remote controls. See the equipment manual for the location and operation of remote controls.

### Engine Control Symbols and Meanings

	Engine Speed - FAST		Engine Speed - SLOW
	Engine Speed - STOP		ON - OFF
	Engine Start Choke CLOSED		Engine Start Choke OPEN
	Fuel Cap Fuel Shut-off OPEN		Fuel Shut-off CLOSED

## Assembly

### Throttle Control Conversion

The standard engine has a manual throttle control. To operate the manual throttle control, install a remote throttle control, or convert to a fixed speed. Refer to the instructions that follow.

**NOTE:** The engine speed must be correct as specified by the equipment manufacturer's performance specifications. Contact a Briggs & Stratton Authorized Service Dealer for assistance.

## Manual Throttle Control

1. Move the throttle control / TransportGuard<sup>®</sup> lever (A, Figure 4) to the OFF position.
2. Remove the spring (S, Figure 4).

## Remote Throttle Control with Braided Wire Cable

A remote throttle control with a braided wire cable can be installed in one of two directions: **Cylinder Head Direction** or **Front Direction**.

### Cylinder Head Direction

1. Move the throttle control / TransportGuard<sup>™</sup> lever (A, Figure 5) to the OFF position.
2. Use a 10 mm wrench and loosen the nut (P, Figure 5) ½ turn on the throttle control / TransportGuard<sup>®</sup> lever (A).
3. Hold the cable mounting nut (J, Figure 6) with a 10 mm wrench and loosen the screw (K).
4. Install the cable wire (L, Figure 6) through the hole in the cable mounting nut (J), and tighten the screw (K). Make sure that the cable wire (L) does not extend more than ½" (12,7 mm) past the hole.
5. Loosen the screw (I, Figure 6). Attach the cable sleeve (N) under the cable clamp (M), and tighten the screw (I).
6. Check the operation of the remote throttle control. Move the remote throttle control from slow to fast 2-3 times. Make sure that remote throttle control and the cable wire (L, Figure 6) moves freely. Adjust the nut (P, Figure 7) as necessary for the specified position.

### Front Direction

1. Adjust the throttle control / TransportGuard<sup>™</sup> lever:
  - a. **For 10V000 and 12V000 engine models:** Move the throttle control / TransportGuard<sup>™</sup> lever (A, Figure 8) to the FAST position.
  - b. **For 25V000 engine models:** Move the throttle control / TransportGuard<sup>™</sup> lever (A, Figure 8) to the OFF position.
2. Use a 10 mm wrench and loosen the nut (P, Figure 7) ½ turn on the throttle control / TransportGuard<sup>®</sup> lever (A).
3. Hold the cable mounting nut (J, Figure 8) with a 10 mm wrench and loosen the screw.
4. Install the cable wire (L, Figure 8) through the hole in the cable mounting nut (J) and tighten the screw (K). Make sure that the cable wire (L) does not extend more than ½" (12,7 mm) past the hole.
5. Loosen the screw (I, Figure 8). Attach the cable sleeve (N) under the clamp (M) and tighten the screw (I).
6. Check the operation of the remote throttle control. Move the remote throttle control from slow to fast 2-3 times. Make sure that the remote throttle control and the cable (L, 8) moves freely. Adjust the nut (P, Figure 7) as necessary for the specified position.

## Remote Throttle Control with Solid Wire Cable

A remote throttle control with a solid wire cable can be installed in one of four directions: **Cylinder Head Direction**, **Front Direction**, **Left Direction**, or **Right Direction**.

### Cylinder Head Direction

1. Move the throttle control / TransportGuard<sup>®</sup> lever (A, Figure 9) to the OFF position.
2. Remove the spring (S, Figure 9).
3. Move the throttle control / TransportGuard<sup>®</sup> lever (A, Figure 9) to the FAST position.
4. Use a 10 mm wrench and loosen the nut (P, Figure 4) ½ turn on the throttle control / TransportGuard<sup>®</sup> lever (A).
5. Install the Z-fitting of the solid wire cable (Q, Figure 9) to one of the small holes in the bellcrank (R).
6. Loosen the screw (I, Figure 9). Attach the cable sleeve (N) under the cable clamp (M), and tighten the screw (I).
7. Check the operation of the remote throttle control. Move the remote throttle control from slow to fast 2-3 times. Make sure that remote throttle control and the cable wire (L, Figure 9) moves freely. Adjust the nut (P, Figure 4) as necessary for the specified position.

### Front Direction

1. Move the throttle control / TransportGuard<sup>®</sup> lever (A, Figure 10) to the OFF position.
2. Remove the spring (S, Figure 10).
3. Move the throttle control / TransportGuard<sup>®</sup> lever (A, Figure 10) to the FAST position.
4. Use a 10 mm wrench and loosen the nut (P, Figure 4) ½ turn on the throttle control / TransportGuard<sup>®</sup> lever (A).

5. Install the Z-fitting of the solid wire cable (Q, Figure 10) to one of the two small holes in the bellcrank (R).
6. Loosen the screw (I, Figure 10). Attach the cable sleeve (N) under the clamp (M) and tighten the screw (I).
7. Check the operation of the remote throttle control. Move the remote throttle control from slow to fast 2-3 times. Make sure that the remote throttle control and the cable (L, Figure 10) moves freely. Adjust the nut (P, Figure 4) as necessary for the specified position.

### Left Direction

1. Move the throttle control / TransportGuard<sup>®</sup> lever (A, Figure 11) to the OFF position.
2. Remove the spring (S, Figure 4).
3. Move the throttle control / TransportGuard<sup>®</sup> lever (A, Figure 11) to the FAST position.
4. Use a 10 mm wrench and loosen the nut (P, Figure 4) ½ turn on the throttle control / TransportGuard<sup>®</sup> lever (A, Figure 11).
5. Remove the throttle control knob (W, Figure 11) to get to the small hole (S).
6. Install the Z-fitting of the solid wire cable (L, Figure 11) to the small hole (S) in the throttle control lever (A).
7. Loosen the screw (I, Figure 11). Attach the cable sleeve (N) under the clamp (M) and tighten the screw (I).
8. Check the operation of the remote throttle control. Move the remote throttle control from slow to fast 2-3 times. Make sure that the remote throttle control and the cable (L, Figure 11) moves freely. Adjust the nut (P, Figure 4) as necessary for the specified position.

### Right Direction

To install a remote throttle control from the right direction, a cable mounting bracket (U, Figure 12) is required. Refer to the **Specifications and Service Parts** section for the part number. To purchase a cable mounting bracket, contact a Briggs & Stratton Authorized Service Dealer.

1. Move the throttle control / TransportGuard<sup>®</sup> lever (A, Figure 12) to the OFF position.
2. Remove the spring (S, Figure 4).
3. Remove the throttle control knob (W, Figure 12) to expose the small hole (S).
4. Move the throttle control / TransportGuard<sup>®</sup> lever (A, Figure 12) to the FAST position.
5. Use a 10 mm wrench and loosen the nut (P, Figure 4) ½ turn on the throttle control / TransportGuard<sup>®</sup> lever (A, 12).
6. Install the Z-fitting of the solid wire cable (L, Figure 12) to the small hole (S) in the throttle control lever (A).
7. Remove the bolt (T, Figure 12). Install the cable mounting bracket (U) as shown. Attach the cable mounting bracket (U) with the bolt (T). Tighten the bolt (T) to 30 lb-in (3,4 Nm). Refer to the **Specifications and Service Parts** section.
8. Loosen the screw (I, Figure 12). Attach the cable sleeve (N) under the clamp (M) and tighten the screw (I).
9. Examine the operation of the remote throttle control. Move the remote throttle control from slow to fast 2-3 times. Make sure that the remote throttle control and the cable (L, Figure 12) moves freely. Adjust the nut (P, Figure 4) as necessary for the specified position.

## Fixed Engine Speed (No Throttle Control Cable)

When converted to a **Fixed Engine Speed**, a throttle control cable is not installed and there is no speed selection. FAST is the only engine speed.

1. Move the throttle control / TransportGuard<sup>®</sup> lever (A, Figure 13) to the OFF position.
2. Remove the spring (S, Figure 13).
3. Move the throttle control / TransportGuard<sup>®</sup> lever (A, Figure 13) to the FAST position.
4. Make sure the wire retainer screw (V, Figure 13) aligns with the hole in the bracket. Tighten the screw (V) to 25 lb-in (2,8 Nm).
5. Remove the control link (H, Figure 13).

**NOTE:** At this time, the throttle control / TransportGuard<sup>®</sup> lever will only have two positions: STOP / OFF position and RUN position.

6. Install the new ON / OFF TransportGuard<sup>®</sup> label (O, Figure 14) over the existing speed control label located on the trim panel (F).



# Operation



**WARNING** Fuel vapors are flammable and explosive. Fire or explosion could result in burns or death.

### If you smell gas

- Do not start the engine.
- Do not switch on electrical switches.
- Do not use a phone in the vicinity.
- Evacuate the area.
- Contact the fire department.

### When you operate the equipment

- Do not tilt the engine or the equipment at an angle which causes fuel to spill.

### When you move the location of the equipment

- Make sure that the fuel tank is EMPTY or that the fuel shut-off valve, if installed, is in the CLOSED position.

## Check the Oil Level

### Before you check or add oil

- Make sure that the engine is level.
- Clean the oil area of debris.
- See the **Specifications** section for oil capacity.

### NOTICE

This engine was shipped from Briggs & Stratton without oil. Equipment manufacturers or dealers could have added oil to the engine. Before you start the engine for the first time, make sure that the oil is at the correct level. Add oil as specified by the instructions in this manual. If you start the engine without oil, damage will occur and the engine will not be repaired under warranty.

1. Remove the dipstick (A, Figure 15) and clean with a cloth
2. Install and tighten the dipstick (A, Figure 15).
3. Remove the dipstick and check the oil level. Make sure that the oil level is at the top of the full indicator (B, Figure 15) on the dipstick.
4. The engine has two oil fills (C, G, Figure 16). If the oil level is low, slowly add oil into the engine oil fills (C, G). Do not add too much oil. After you add oil, wait one minute and check the oil level again. Make sure that the oil level is correct.
5. Install and tighten the dipstick (A, Figure 15).

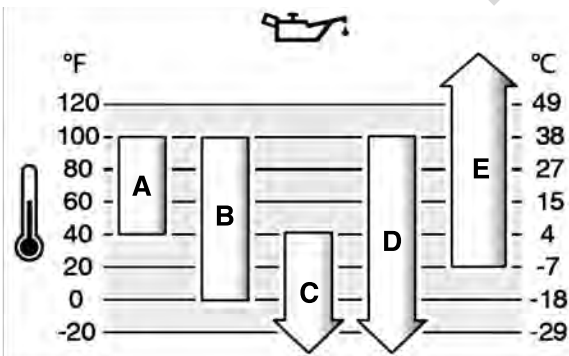
## Oil Recommendations

**Oil Capacity:** Refer to SECTION 9 - SPECIFICATIONS.

We recommend the use of Briggs & Stratton® Warranty Certified oils for best performance. Other high-quality detergent oils are permitted if classified for service SF, SG, SH, SJ or higher. Do not use special additives.

Use the chart to select the best viscosity for the outdoor temperature range expected.

Vanguard® 15W-50 Synthetic oil gives the best protection in most environments as well as superior protection for equipment operated in hot temperatures. Engines on most outdoor power equipment can operate well with Synthetic 5W-30 oil.



<b>A</b>	<b>SAE 30</b> - Below 40 °F (4 °C) the use of SAE 30 will result in hard starting.
<b>B</b>	<b>10W-30</b> - Above 80 °F (27 °C) the use of 10W-30 may cause increased oil consumption. Check the oil level frequently.
<b>C</b>	<b>5W-30</b>
<b>D</b>	<b>Synthetic 5W-30</b>
<b>E</b>	<b>Vanguard® Synthetic 15W-50</b>

## Low Oil Protection System (if installed)

A low oil sensor is installed on some engines. If the oil is low, the sensor will show a warning light or stop the engine. Stop the engine and do the steps that follow before you start the engine.

- Make sure that the engine is level.
- Do an oil check. Refer to the **Check Oil Level** section.
- If the oil level is low, add the correct amount of oil. Start the engine and make sure that the warning light (if installed) does not come on.
- If the oil level is not low, do not start the engine. Contact a Briggs & Stratton Authorized Service Dealer to correct the oil problem.

## Fuel Recommendations

### Fuel must meet these requirements:

- Clean, fresh, unleaded gasoline.
- A minimum of 87 octane/87 AKI (91 RON). High altitude use, see below.
- Gasoline with up to 10% ethanol (gasohol) is permitted.

### NOTICE

Do not use unapproved gasoline, such as E15 and E85. Do not mix oil in gasoline or change the engine to operate on alternate fuels. Use of unapproved fuels could result in damage to engine components, which will not be repaired under the warranty.

To protect the fuel system from gum formation, and corrosion, mix an alcohol-free fuel stabilizer and ethanol treatment into the fuel. Refer to the **Storage** section. All fuel is not the same. If start or performance problems occur, change fuel providers or brands. This engine is certified to operate on gasoline. The emissions control system for carbureted engines is EM (Engine Modifications). The emissions control systems for engines with electronic fuel injection are ECM (Engine Control Module), MFI (Multiport Fuel Injection), TBI (Throttle Body Fuel Injection) and if equipped an O2S (Oxygen Sensor).

### High Altitude

At altitudes over 5,000 feet (1524 meters), a minimum 87 octane/87 AKI (91 RON) gasoline is permitted.

For carbureted engines, high altitude adjustment is required to maintain performance. Operation without this adjustment will cause decreased performance, increased fuel consumption, and increased emissions. Contact a Briggs & Stratton Authorized Service Dealer for high altitude adjustment information. Operation of the engine at altitudes below 2,500 feet (762 meters) with the high altitude adjustment is not recommended.

For Electronic Fuel Injection (EFI) engines, no high altitude adjustment is necessary.

## Add Fuel



**WARNING** Fuel and its vapors are flammable and explosive. Fire or explosion could result in burns or death.

### When you add fuel

- Stop the engine. Before you remove the fuel cap, wait a minimum of two (2) minutes to make sure that the engine is cool.
  - Fill the fuel tank outdoors or in an area that has good airflow.
  - Do not put too much fuel in the tank. For expansion of the fuel, do not fill above the bottom of the fuel tank neck.
  - Keep fuel away from sparks, open flames, pilot lights, heat, and other ignition sources.
  - Frequently examine the fuel lines, fuel tank, fuel cap, and connections for cracks or leaks. Replace damaged parts.
  - If fuel spills, wait until it dries before you start the engine.
1. Clean the fuel cap area of dirt and debris. Remove the fuel cap.
  2. Fill the fuel tank (A, Figure 17) with fuel. Because fuel will expand, do not fill above the bottom of the fuel tank neck (B).
  3. Install the fuel cap.

## Start the Engine



### WARNING

**POISONOUS GAS HAZARD.** Engine exhaust contains carbon monoxide, a poisonous gas that could kill you in minutes. Although you do not smell exhaust fumes, you could still be exposed to dangerous carbon monoxide gas. If you feel sick, dizzy, or weak while you use this product, get to fresh air **RIGHT AWAY**. See a doctor. You may have carbon monoxide poisoning.

- Carbon monoxide gas can collect in occupied spaces. To reduce the risk of carbon monoxide gas, **ONLY** operate this product outdoors and far away from windows, doors and vents.
- Install battery-operated carbon monoxide alarms or plug-in carbon monoxide alarms with battery back-up as specified by the manufacturer's instructions. Smoke alarms cannot sense carbon monoxide gas.
- **DO NOT** operate this product in homes, garages, basements, crawlspaces, sheds, or other closed spaces, even if you use fans or open doors and windows for ventilation. After the operation of this product, carbon monoxide can quickly collect in these spaces and stay for hours.
- **ALWAYS** put this product downwind and point the engine exhaust away from occupied spaces.



### WARNING

**Fuel and its vapors are flammable and explosive. Fire or explosion could result in burns or death.**

#### When you start the engine

- Make sure that the spark plug, muffler, fuel cap and air cleaner (if equipped) are correctly installed.
- Do not crank the engine with the spark plug removed.
- If the engine is flooded, set the choke (if equipped) to the OPEN or RUN position. Move the throttle (if equipped) to the FAST position and crank until the engine starts.
- If there is natural or LP gas leakage in the area, do not start the engine.
- Because vapors are flammable, do not use pressurized starter fluids.



### WARNING

**Rotating parts can entangle hands, feet, hair, clothing, or accessories and result in traumatic amputation or laceration.**

- Operate equipment with the guards correctly installed.
- Keep hands and feet away from rotating parts.
- Remove jewelry and make sure that long hair is away from all rotating parts.
- Do not wear loose clothes or items that could become caught.



### WARNING

**Fast retraction of the starter cord (kickback) will pull your hand and arm to the engine faster than you can let go. Broken bones, fractures, bruises or sprains could result.**

- To prevent kickback when you start the engine, pull the starter cord slowly until resistance is felt and then pull quickly.
- Before you start the engine, disconnect or remove all external equipment and engine loads.
- Make sure that direct-coupled equipment components, such as, but not limited to, blades, impellers, pulleys, and sprockets, are correctly attached.

**NOTE:** Your equipment could have remote controls. Refer to the equipment manual for location and operation of remote controls.

1. Check the engine oil. Refer to **Check Oil Level** section.
2. Make sure that the equipment drive controls, if equipped, are disengaged.
3. Move the throttle control lever / TransportGuard® (A, Figure 18), if equipped, to the FAST or RUN position. Operate the engine in the FAST or RUN position.
4. Move the choke control (B, Figure 18) to the CLOSED position.

The choke is usually not necessary when you start a warm engine.

5. **Rewind Start, if equipped:** Tightly hold the starter cord handle (C, Figure 18). Pull the starter cord handle slowly until resistance is felt, then pull quickly.



### WARNING

**Fast retraction of the starter cord (kickback) will pull your hand and arm to the engine faster than you can let go. Broken bones, fractures, bruises or sprains could result.**

- To prevent kickback when you start the engine, pull the starter cord slowly until resistance is felt and then pull quickly.
- Before you start the engine, disconnect or remove all external equipment and engine loads.
- Make sure that direct-coupled equipment components, such as, but not limited to, blades, impellers, pulleys, and sprockets, are correctly attached.

6. **Electric Start, if equipped:** Turn the electric start switch (D, Figure 18) to the START position.

### NOTICE

To extend the life of the starter, use short start cycles (five seconds maximum). Wait one minute between start cycles.

7. As the engine warms, move the choke control (B, Figure 18) to the OPEN position.

If the engine does not start after 2 or 3 times, contact your local dealer or go to [vanguardpower.com](http://vanguardpower.com) or call 1-800-999-9333 (in USA).

## Stop the Engine



### WARNING

**Fuel and its vapors are flammable and explosive. Fire or explosion could result in burns or death.**

- Do not choke the carburetor (if equipped) to stop the engine.

**Throttle Control / TransportGuard®:** Move the throttle control / TransportGuard® (A, Figure 19) to the OFF or STOP position.

**NOTE:** When the throttle control / TransportGuard® (A, Figure 19) is in the OFF or STOP position, the fuel valve is in the OFF position. Always move the throttle control / TransportGuard® to the OFF or STOP position during transport of the equipment.

**NOTE:** The key (D, Figure 19) does not stop the engine. The key **ONLY** starts the engine. Always remove the key (D), and keep it in a safe location out of reach of children.

## Maintenance

### Maintenance Information



### WARNING

**Fuel and its vapors are flammable and explosive. Fire or explosion could result in burns or death.**

During maintenance if it is necessary to tilt the unit, make sure that the fuel tank, if mounted on the engine, is empty and that the spark plug side is up. If the fuel tank is not empty, leakage can occur and could result in a fire or an explosion. If the engine is tilted in a different direction, it will not easily start because of oil or fuel contamination of the air filter or the spark plug.



### WARNING

**Accidental engine spark can cause an electric shock, fire or explosion and could result in entanglement, traumatic amputation or laceration.**

#### Before you make adjustments or repairs:

- Disconnect all spark plug wires and keep them away from the spark plugs.
- Disconnect the battery wire from the negative battery terminal (only engines with electric start).
- Use only the correct tools.

#### When you check for spark:

- Use an approved spark plug tester.
- Do not check for spark with the spark plug removed.

**WARNING**

All the components used to assemble this engine must stay in the initial position for correct operation. Damage or injury can occur if you use incorrect parts or you do not replace all parts on the engine.

- Replacement parts must be of the same design and installed in the same position as initial parts.
- If installed, do not change the governor spring, links, or other parts to increase the engine speed.

See a Briggs & Stratton Authorized Service Dealer for all maintenance and servicing of the engine and engine parts.

## Emissions Control Service

For maintenance, replacement, or repair of emissions control devices and systems, contact a qualified off-road engine repair establishment or service technician. However, for "no charge" emissions control service, the work must be done by a factory authorized dealer. Refer to the Emissions Control Statements.

## Maintenance Schedule

<b>First 5 Hours</b>
<ul style="list-style-type: none"> <li>• Change the oil.</li> </ul>
<b>Intervals of 8 Hours or Daily</b>
<ul style="list-style-type: none"> <li>• Check the engine oil level.</li> <li>• Clean the area around the muffler and controls.</li> <li>• Clean the air intake grille.</li> </ul>
<b>Intervals of 100 Hours or Annually</b>
<ul style="list-style-type: none"> <li>• Service the exhaust system.</li> <li>• Change oil in Reduction Unit (if installed).</li> </ul>
<b>Intervals of 200 Hours or Annually</b>
<ul style="list-style-type: none"> <li>• Change the engine oil.</li> <li>• Clean the air filter<sup>1</sup></li> </ul>
<b>Intervals of 600 Hours or 3 Years</b>
<ul style="list-style-type: none"> <li>• Replace the air filter.</li> </ul>
<b>Annually</b>
<ul style="list-style-type: none"> <li>• Replace the spark plug.</li> <li>• Service the fuel system.</li> <li>• Service the cooling system<sup>1</sup>.</li> <li>• Check the valve clearance<sup>2</sup>.</li> </ul>

<sup>1</sup>Clean more frequently in dusty conditions or when many particles are in the air..

<sup>2</sup>Not necessary unless engine problems occur.

## Carburetor and Engine Speed

Do not make adjustments to the carburetor, governor spring, linkages, or other parts to adjust the engine speed. If adjustments are necessary, contact a Briggs & Stratton Authorized Service Dealer for servicing.

**NOTICE**

The equipment manufacturer specifies the maximum speed for the engine as installed on the equipment. Do not exceed this speed. If you are not sure what the equipment maximum speed is, or what the engine speed is set to from the factory, contact a Briggs & Stratton Authorized Service Dealer for assistance. For safe and correct operation of the equipment, the engine speed should only be adjusted by a qualified service technician.

## Servicing the Spark Plug

Check the spark plug gap (A, Figure 20) with a wire gauge (B). If necessary, set the spark plug gap. Install and tighten the spark plug to the correct torque. For gap and torque specifications, refer to the **Specifications** section.

## Servicing the Exhaust and Cooling Systems

**WARNING**

During operation, the engine and muffler become hot. If you touch a hot engine, thermal burns can occur.

**Combustible materials, such as leaves, grass and brush, can catch fire.**

- Before you touch the engine or muffler, stop the engine and wait two (2) minutes. Make sure that the engine and muffler are safe to touch.
- Remove debris from the muffler and engine.

It is a violation of California Public Resource Code, Section 4442, to use or operate the engine on any forest-covered, brush-covered, or grass-covered land unless the exhaust system is equipped with a spark arrester, as defined in section 4442, maintained in effective working order. Other states or federal jurisdictions may have similar laws; reference Federal Regulation 36 CFR Part 261.52. Contact the original equipment manufacturer, retailer, or dealer to obtain a spark arrester designed for the exhaust system installed on this engine.

This is an air cooled engine. Dirt or unwanted material can prevent air flow and cause the engine to become too hot. This results in unsatisfactory performance and decreases the life of the engine. The cylinder cooling fins can collect unwanted material that cannot be removed without partial disassembly of the engine. Make sure that a Briggs & Stratton Authorized Service Dealer examines and cleans the air cooling system. Refer to the **Maintenance Schedule**.

1. Make sure that no combustible materials are around and behind the muffler.
2. Use a brush or dry cloth to remove all unwanted material from the blower housing cover, muffler and cylinder area. DO NOT use water to clean the engine.
3. Make sure that the linkage, springs, and controls are clean.
4. Examine the muffler for cracks, corrosion, or other damage.
5. Remove the deflector or the spark arrester, if installed, and examine for damage or carbon blockage. Make sure that you clean or install the replacement parts before you operate the equipment.
6. If Installed, make sure that the oil cooler fins are clean.

## Change Engine Oil

**WARNING**

Fuel and its vapors are flammable and explosive. Fire or explosion could result in burns or death.

During operation, the engine and muffler become hot. If you touch a hot engine, thermal burns can occur.

- If you drain the oil from the top oil fill tube, the fuel tank must be empty. If it is not empty, fuel leakage can occur and cause a fire or an explosion.
- Before you touch the engine or muffler, stop the engine and wait two (2) minutes. Make sure that the engine and muffler are safe to touch.

Used oil is a hazardous waste product and must be discarded of correctly. Do not discard with household waste. Contact your local authorities, service center, or dealer for safe disposal or recycling facilities.

For **Just Check & Add™** models, an oil change is not necessary. If an oil change is necessary, refer to the procedure that follows.

## Remove Oil

1. With engine off but warm, disconnect the spark plug wires (D, Figure 21) and keep it away from the spark plug(s) (E).
2. Remove the dipstick (A, Figure 22).
3. The engine has two oil drain plugs (H, F, Figure 23). Remove the oil drain plugs (H, F). Drain the oil into an approved container.
4. Install and tighten the oil drain plugs (H, F, Figure 23).

## Add Oil

- Make sure that the engine is level.
- Clean the oil fill area of all unwanted material.
- Refer to the **Specifications** section for oil capacity.

1. Remove the dipstick. Refer to the **Remove Oil** section.
2. Slowly add oil into one of the engine oil fills (C, G, Figure 24). Do not add too much oil.
3. Wait one minute, and then, check the oil level.
4. Install the dipstick.
5. Remove the dipstick and check the oil level. The correct oil level is at the top of the full indicator on the dipstick. Refer to the **Check the Oil Level** section.

6. Install and tighten the dipstick again.
7. Connect the spark plug wire(s) to the spark plug(s). Refer to the **Remove Oil** section.

## Change Gear Reduction Oil

Some engines are equipped with a Gear Reduction Unit. If equipped, refer to the steps for one of the Gear Reduction Units that follow.

### 2:1 Chain Reduction Unit

If the engine is installed with a 2:1 chain reduction unit (G, Figure 25), an oil change is not necessary. The oil in the engine also lubricates the chain reduction unit.

### 2:1 Wet Clutch Reduction Unit

If the engine is equipped with a 2:1 wet clutch reduction unit, do the steps that follow:

1. Remove the dipstick (A, Figure 26).
2. Remove the drain plug (B, Figure 26), and drain the oil into an approved container.
3. Install and tighten the oil drain plug (B, Figure 26).
4. Slowly add oil into the oil fill (C, Figure 26). See **Specifications** section.
5. Install the dipstick (A, Figure 26).
6. Remove the dipstick (A, Figure 26) and check the oil level. The correct oil level is at the top of the full indicator (D) on the dipstick.
7. Install the dipstick (A, Figure 26).

### 6:1 Gear Reduction Unit

If your engine is equipped with a 6:1 gear reduction unit, do the steps that follow:

1. Remove the oil fill plug (A, Figure 27) and the oil level plug (B).
2. Remove the oil drain plug (C, Figure 27) and drain the oil into an approved container.
3. Install and tighten the oil drain plug (C, Figure 27).
4. Slowly add gear reduction oil (80W-90) into the oil fill hole (D, Figure 27). Continue to add the gear reduction oil (80W-90) until the oil comes out of the oil level hole (E).
5. Install and tighten the oil level plug (B, Figure 27).
6. Install and tighten the oil fill plug (A, Figure 27).

**NOTE:** The oil fill plug (A, Figure 27) has a vent hole (F) and must be installed on the top of the gear case cover as shown.

## Servicing the Air Filter

### WARNING



**Fuel vapors are flammable and explosive. Fire or explosion could result in burns or death.**

- Do not start and operate the engine with the air cleaner assembly (if equipped) or the air filter (if equipped) removed.

### NOTICE

Do not use pressurized air or solvents to clean the filter. Pressurized air could result in damage to the filter and solvents will dissolve the filter.

See the **Maintenance Schedule** for servicing requirements.

Different models will use a foam or a paper filter. Some models could also have an optional pre-cleaner that can be cleaned and used again. Compare the illustrations in this manual with the type installed on your engine and service as follows.

### Paper Air Filter

1. Loosen the fastener(s) (C, Figure 28).
2. Remove the cover (A, Figure 28) and the filter (B).
3. To loosen debris, lightly tap the filter (B, Figure 28) on a hard surface. If the filter is dirty, replace it with a new filter.
4. Install the filter (B, Figure 28).
5. Install the cover (A, Figure 28) with the fastener(s) (C). Make sure that the fastener(s) is tight.

### Paper Air Filter - Low Profile

1. Move the latch (A, Figure 29) to unlock the cover (C).
2. Push in the tabs (B, Figure 29) and remove the cover (C).
3. Remove the filter (D, Figure 29).
4. To loosen debris, lightly tap the filter (D, Figure 29) on a hard surface. If the filter is dirty, replace it with a new filter.
5. Install the filter (D, Figure 29).
6. Install the cover (C, Figure 29). Move the latch (A) to the locked position.

**NOTE:** Check the fit of the foam seal (E, Figure 29). Make sure that the perimeter foam seal is correctly seated in the channel (F).

## Servicing the Fuel System

### WARNING



**Fuel and its vapors are flammable and explosive. Fire or explosion could result in burns or death.**

- Keep fuel away from sparks, open flames, pilot lights, heat, and other ignition sources.
- Frequently examine the fuel lines, fuel tank, fuel cap, and connections for cracks or leaks. Replace damaged parts.
- If fuel spills, wait until it dries before you start the engine.

### Fuel Strainer, if installed

1. Remove the fuel cap (A, Figure 30).
2. Remove the fuel strainer (B, Figure 30).
3. If the fuel strainer is dirty, clean or replace it. If you replace the fuel strainer, make sure to use an original equipment replacement fuel strainer.

## Storage

### Fuel System

Refer to Figure: 31.

### WARNING



**Fuel and its vapors are flammable and explosive. Fire or explosion could result in burns or death.**

### Fuel Storage

- Because pilot lights or other ignition sources can cause explosions, keep fuel or equipment away from furnaces, stoves, water heaters or other appliances that have pilot lights.

Keep the engine level (normal operating position). Fill the fuel tank (A, Figure 31) with fuel. For fuel expansion, do not fill above the fuel tank neck (B).

Fuel can become stale when kept in a storage container for more than 30 days. The use of an alcohol-free fuel stabilizer and ethanol treatment in the fuel storage container is recommended to prevent fuel degradation and keep the fuel fresh.

When you fill the fuel container with fuel, add an alcohol-free fuel stabilizer as specified by the manufacturer's instructions. If gasoline in the engine has not been treated with a fuel stabilizer, it must be drained into an approved container. Operate the engine until it is out of fuel.

## Engine Oil

While the engine is still warm, change the engine oil. Refer to **Change the Engine Oil** section.

## Troubleshooting

### Assistance

For assistance, contact your local dealer or go to **BRIGGSandSTRATTON.COM** or call **1-800-444-7774** (in USA).

## Specifications and Service Parts

Specifications	Model: 10V000	Model: 12V000
Displacement	10.313 ci (169 cc)	12.387 ci (203 cc)
Bore	2.44 in (62 mm)	2.677 in (68 mm)
Stroke	2.204 in (56 mm)	2.204 in (56 mm)
Oil Capacity	18 - 20 oz (.54 - .59 L)	18 - 20 oz (.54 - .59 L)
2:1 Wet Clutch Reduction - Oil Type	10W-30	10W-30
2:1 Wet Clutch Reduction - Oil Capacity	10 oz (.30 L)	10 oz (.30 L)
6:1 Gear Reduction - Oil Type	80W-90	80W-90
6:1 Gear Reduction - Oil Capacity	4 oz (12 L)	4 oz (12 L)
Spark Plug Gap	.030 in (.76 mm)	.030 in (.76 mm)

Specifications	Model: 10V000	Model: 12V000
Spark Plug Torque	180 lb-in (20 Nm)	180 lb-in (20 Nm)
Armature Air Gap	.010 - .013 in (.25 - .35 mm)	.010 - .013 in (.25 - .35 mm)
Intake Valve Clearance	.004 - .006 in (.10 - .15 mm)	.004 - .006 in (.10 - .15 mm)
Exhaust Valve Clearance	.005 - .007 in (.15 - .20 mm)	.005 - .007 in (.15 - .20 mm)

Specifications	Model: 25V000
Displacement	24.898 ci (408 cc)
Bore	3.465 in (88 mm)
Stroke	2.638 in (67 mm)
Cable Mounting Bracket Bolt	30 lb-in (3,4 Nm)
Wire Retainer Screw	25 lb-in (2,8 Nm)
Oil Capacity	28 - 32 oz (.83 - .95 L)
Spark Plug Gap	.030 in (.76 mm)
Spark Plug Torque	180 lb-in (20 Nm)
Armature Air Gap	.010 - .013 in (.25 - .35 mm)
Intake Valve Clearance	.004 - .006 in (.10 - .15 mm)
Exhaust Valve Clearance	.005 - .007 in (.15 - .20 mm)

Engine power will decrease 3.5% for each 1,000 feet (300 meters) above sea level and 1% for each 10°F (5.6°C) above 77°F (25°C). The engine will operate satisfactorily at an angle up to 30°. Refer to the equipment operator's manual for safe allowable operating limits on slopes.

## Service Parts

To purchase Briggs & Stratton service parts, find an Authorized Service Dealer at BRIGGSandSTRATTON.COM. You will need your identification number (model - type - trim). Refer to the **Features and Controls** section to find your engine identification number.

## Power Ratings

The gross power rating for individual gasoline engine models is labeled in accordance with SAE (Society of Automotive Engineers) code J1940 Small Engine Power & Torque Rating Procedure, and is rated in accordance with SAE J1995. Torque values are derived at 2600 RPM for those engines with "rpm" called out on the label and 3060 RPM for all others; horsepower values are derived at 3600 RPM. The gross power curves can be viewed at www.BRIGGSandSTRATTON.COM. Net power values are taken with exhaust and air cleaner installed whereas gross power values are collected without these attachments. Actual gross engine power will be higher than net engine power and is affected by, among other things, ambient operating conditions and engine-to-engine variability. Given the wide array of products on which engines are placed, the gasoline engine may not develop the rated gross power when used in a given piece of power equipment. This difference is due to a variety of factors including, but not limited to, the variety of engine components (air cleaner, exhaust, charging, cooling, carburetor, fuel pump, etc.), application limitations, ambient operating conditions (temperature, humidity, altitude), and engine-to-engine variability. Due to manufacturing and capacity limitations, Briggs & Stratton may substitute an engine of higher rated power for this engine.

## Warranty

### Briggs & Stratton® Engine Warranty

Effective March 2023

#### Limited Warranty

Briggs & Stratton warrants that, during the warranty period specified below, it will repair or replace, free of charge, with a new, reconditioned or re-manufactured part, at the sole discretion of Briggs & Stratton, any part that is defective in material or workmanship or both. Transportation charges on product submitted for repair or replacement under this warranty must be borne by purchaser. This warranty is effective for and is subject to the time periods and conditions stated below. For warranty service, find the nearest Authorized Service Dealer in our dealer locator map at BRIGGSandSTRATTON.COM. The purchaser must contact the Authorized Service Dealer, and then make the product available to the Authorized Service Dealer for inspection and testing.

**There is no other express warranty. Implied warranties, including those of merchantability and fitness for a particular purpose, are limited to one year from purchase, or to the extent permitted by law. All other implied warranties are excluded. Liability for incidental or consequential damages are excluded to the extent exclusion is permitted by law.** Some states or countries do not allow limitations on how long an implied warranty lasts, and some states or countries do not allow the exclusion or limitation of incidental or consequential damages, so the above limitation and exclusion may not apply to you. This warranty gives you specific legal

rights and you may also have other rights which vary from state to state and country to country.

## Standard Warranty Terms<sup>1, 2</sup>

### Vanguard®, CXi Series

Consumer Use - 36 months

Commercial Use - 36 months

### XR Series

Consumer Use - 24 months

Commercial Use - 24 months

### All Other Engines Featuring Dura-Bore™ Cast Iron Sleeve

Consumer Use - 24 months

Commercial Use - 12 months

### All Other Engines

Consumer Use - 24 months

Commercial Use - 3 months

<sup>1</sup>These are our standard warranty terms, but occasionally there may be additional warranty coverage that was not determined at time of publication. For a listing of current warranty terms for your engine, go to BRIGGSandSTRATTON.COM or contact your Briggs & Stratton Authorized Service Dealer.

<sup>2</sup>There is no warranty for engines on equipment used for prime power in place of a utility; standby generators used for commercial purposes, utility vehicles exceeding 25 MPH, or engines used in competitive racing or on commercial or rental tracks.

The warranty period begins on the date of purchase by the first retail consumer or commercial end user, and continues for the period of time stated in the table above. "Consumer use" means personal residential household use by a retail consumer. "Commercial use" means all other uses, including use for commercial, income producing or rental purposes. Once an engine has experienced commercial use, it shall thereafter be considered as a commercial use engine for purposes of this warranty.

**No warranty registration is necessary to obtain warranty on Briggs & Stratton products. Save your proof of purchase receipt. If you do not provide proof of the initial purchase date at the time warranty service is requested, the manufacturing date of the product will be used to determine the warranty period.**

#### About Your Warranty

This limited warranty covers engine-related material and/or workmanship issues only, and not replacement or refund of the equipment to which the engine may be mounted. Routine maintenance, tune-ups, adjustments, or normal wear and tear are not covered under this warranty. Similarly, warranty is not applicable if the engine has been altered or modified or if the engine serial number has been defaced or removed. This warranty does not cover engine damage or performance problems caused by:

1. The use of parts that are not original Briggs & Stratton parts;
2. Operating the engine with insufficient, contaminated, or an incorrect grade of lubricating oil;
3. The use of contaminated or stale fuel, gasoline formulated with ethanol greater than 10%, or the use of alternative fuels such as liquefied petroleum or natural gas on engines not originally designed/manufactured by Briggs & Stratton to operate on such fuels;
4. Dirt which entered the engine because of improper air cleaner maintenance or reassembly;
5. Striking an object with the cutter blade of a rotary lawn mower, loose or improperly installed blade adapters, impellers, or other crankshaft coupled devices, or excessive v-belt tightness;
6. Associated parts or assemblies such as clutches, transmissions, equipment controls, etc., which are not supplied by Briggs & Stratton;
7. Overheating due to grass clippings, dirt and debris, or rodent nests which plug or clog the cooling fins or flywheel area, or by operating the engine without sufficient ventilation;
8. Excessive vibration due to over-speeding, loose engine mounting, loose or unbalanced cutter blades or impellers, or improper coupling of equipment components to the crankshaft;
9. Misuse, lack of routine maintenance, shipping, handling, or warehousing of equipment, or improper engine installation.

Warranty service is available only through Briggs & Stratton Authorized Service Dealers. Locate your nearest Authorized Service Dealer in our dealer locator map at BRIGGSandSTRATTON.COM or by calling 1-800-444-7774 (in USA).

80114782 (Revision B)

# Briggs & Stratton Emissions Warranty

## U.S. EPA and Briggs & Stratton, LLC Emissions Control Warranty - Your Warranty Rights and Obligations For Briggs & Stratton Engine Models with "F" Trim Designation (Model-Type-Trim Representation xxxxxx xxxx Fx)

The U.S. EPA and Briggs & Stratton (B&S) are pleased to explain the exhaust and evaporative emissions ("emissions") control system warranty on your 2023-2025 engine. New equipment that use small off-road engines must be designed, built, and equipped to meet stringent anti-smog standards. B&S must warrant the emissions control system on your engine/equipment for the periods of time listed below provided there has been no abuse, neglect or improper maintenance of your small off-road engine or equipment leading to the failure of the emissions control system.

Your emissions control system may include parts such as the carburetor or fuel-injection system, the ignition system, catalytic converter, fuel tanks, fuel lines (for liquid fuel and fuel vapors), fuel caps, valves, canisters, filters, clamps and other associated components. Also included may be hoses, belts, connectors, and other emission-related assemblies.

Where a warrantable condition exists, B&S will repair your engine/equipment at no cost to you including diagnosis, parts, and labor.

### Manufacturer's Warranty Coverage:

The exhaust and evaporative emissions control system on your engine/equipment is warranted for two years. If any evaporative emission-related part on your engine/equipment is defective, the part will be repaired or replaced by B&S.

### Owner's Warranty Responsibilities:

- As the engine/equipment owner, you are responsible for the performance of the required maintenance listed in your owner's manual. B&S recommends that you retain all receipts covering maintenance on your engine, but B&S cannot deny warranty coverage solely for the lack of receipts or for your failure to ensure the performance of all scheduled maintenance.
- As the engine/equipment owner, you should however be aware that B&S may deny you warranty coverage if your engine/equipment or a part has failed due to abuse, neglect, or improper maintenance or unapproved modifications.
- You are responsible for presenting your engine/equipment to a B&S distribution center or service center as soon as the problem exists. The warranty repairs shall be completed in a reasonable amount of time, not to exceed 30 days. If you have a question regarding your warranty rights and responsibilities, you should contact B&S at 1-800-444-7774 (in USA) or BRIGGSandSTRATTON.COM.

### Briggs & Stratton Emissions Control Warranty Provisions

The following are specific provisions relative to your Emissions Control Warranty Coverage. It is in addition to the B&S engine warranty for non-regulated engines found in the Operator's Manual.

1. Warranted Emissions Parts  
Coverage under this warranty extends only to the parts listed below (the emissions control systems parts) to the extent these parts were present on the B&S engine and/or B&S supplied fuel system.
  - a. Fuel Metering System
    - Cold start enrichment system (soft choke)
    - Carburetor or fuel injection system
    - Oxygen sensor
    - Electronic control unit
    - Fuel pump module
    - Fuel line (for liquid fuel and fuel vapors), fuel line fittings, clamps
    - Fuel tank, cap and tether
    - Carbon canister and mounting bracket
    - Pressure relief valves
    - Liquid/Vapor separator
  - b. Air Induction System
    - Air cleaner
    - Intake manifold
    - Purge and vent line
  - c. Ignition System
    - Spark plug(s)
    - Magneto ignition system
  - d. Catalyst System
    - Catalytic converter
    - Exhaust manifold
    - Air injection system or pulse valve

### e. Miscellaneous Items Used in Above Systems

- Vacuum, temperature, position, time sensitive valves and switches
- Connectors and assemblies
- Electronic controls

### 2. Length of Coverage

Coverage is for a period of two years from the date of delivery to an ultimate purchaser, or for the time period listed in the respective engine or product warranty statement, whichever is greater. B&S warrants to the original purchaser and each subsequent purchaser that the engine is designed, built, and equipped so as to conform with all applicable regulations; that it is free from defects in material and workmanship that could cause the failure of a warranted part; and that it is identical in all material respects to the engine described in the manufacturer's application for certification. The warranty period begins on the date the engine or equipment is delivered to an ultimate purchaser.

The warranty on emissions-related parts is as follows:

- Any warranted part that is not scheduled for replacement as required maintenance in the Operator's Manual supplied, is warranted for the warranty period stated above. If any such part fails during the period of warranty coverage, the part will be repaired or replaced by B&S at no charge to the owner. Any such part repaired or replaced under the warranty will be warranted for the remaining warranty period.
- Any warranted part that is scheduled only for regular inspection in the Operator's Manual supplied, is warranted for the warranty period stated above. Any such part repaired or replaced under warranty will be warranted for the remaining warranty period.
- Any warranted part that is scheduled for replacement as required maintenance in the Operator's Manual supplied, is warranted for the period of time prior to the first scheduled replacement point for that part. If the part fails prior to the first scheduled replacement, the part will be repaired or replaced by B&S at no charge to the owner. Any such part repaired or replaced under warranty will be warranted for the remainder of the period prior to the first scheduled replacement point for the part.
- Add-on or modified parts that are not exempted may not be used. The use of any non-exempted add-on or modified parts by the owner will be grounds for disallowing a warranty claim. The manufacturer will not be liable to warrant failures of warranted parts caused by the use of a non-exempted add-on or modified part.

### 3. Consequential Coverage

Coverage shall extend to the failure of any engine components caused by the failure of any warranted emissions parts.

### 4. Claims and Coverage Exclusions

Warranty claims shall be filed according to the provisions of the B&S engine warranty policy. Warranty coverage does not apply to failures of emissions parts that are not original equipment B&S parts or to parts that fail due to abuse, neglect, or improper maintenance as set forth in the B&S engine warranty policy. B&S is not liable for warranty coverage of failures of emissions parts caused by the use of add-on or modified parts.

### Look For Relevant Emissions Durability Period and Air Index Information On Your Small Off-Road Engine Emissions Label

Briggs & Stratton engines are certified to meet the United States Environmental Protection Agency (USEPA) Phase 2 or Phase 3 emissions standards. The Emissions Compliance Period referred to on the Emissions Compliance label indicates the number of operating hours for which the engine has been shown to meet Federal emissions requirements.

#### For engines at or less than 80 cc displacement:

Category C = 50 hours, Category B = 125 hours, Category A = 300 hours

#### For engines greater than 80 cc displacement and less than 225 cc displacement:

Category C = 125 hours, Category B = 250 hours, Category A = 500 hours

#### For engines of 225 cc or more displacement:

Category C = 250 hours, Category B = 500 hours, Category A = 1000 hours

80130180 Revision A

# Briggs & Stratton Emissions Warranty

## U.S. EPA and Briggs & Stratton, LLC Emissions Control Warranty - Your Warranty Rights and Obligations For Briggs & Stratton Engine Models with "B" or "G" Trim Designation (Model-Type-Trim Representation xxxxxx xxxx Bx or xxxxxx xxxx Gx)

The U.S. EPA and Briggs & Stratton (B&S) are pleased to explain the exhaust emissions ("emissions") control system warranty on your 2023-2025 engine. New small off-road engines and large spark ignited engines less than or equal to 1.0 liter must be designed, built, and equipped to meet stringent anti-smog standards. B&S must warrant the emissions control system on your engine for the periods of time listed below provided there has been no abuse, neglect or improper maintenance of

your small off-road engine or equipment leading to the failure of the emissions control system.

Your emissions control system may include parts such as the carburetor or fuel-injection system, the ignition system, catalytic converter, fuel tanks, fuel lines (for liquid fuel and fuel vapors), fuel caps, valves, canisters, filters, clamps and other associated components. Also included may be hoses, belts, connectors, and other emission-related assemblies.

Where a warrantable condition exists, B&S will repair your engine at no cost to you including diagnosis, parts, and labor.

#### **Manufacturer's Warranty Coverage:**

The exhaust emissions control system on your engine is warranted for two years. If any emissions-related part on your engine is defective, the part will be repaired or replaced by B&S.

#### **Owner's Warranty Responsibilities:**

- As the engine owner, you are responsible for the performance of the required maintenance listed in your owner's manual. B&S recommends that you retain all receipts covering maintenance on your engine, but B&S cannot deny warranty coverage solely for the lack of receipts or for your failure to ensure the performance of all scheduled maintenance.
- As the engine owner, you should however be aware that B&S may deny you warranty coverage if your engine or a part has failed due to abuse, neglect, or improper maintenance or unapproved modifications.
- You are responsible for presenting your engine to a B&S distribution center or service center as soon as the problem exists. The warranty repairs shall be completed in a reasonable amount of time, not to exceed 30 days. If you have a question regarding your warranty rights and responsibilities, you should contact B&S at 1-800-444-7774 (in USA) or BRIGGSandSTRATTON.COM.

#### **Briggs & Stratton Emissions Control Warranty Provisions**

The following are specific provisions relative to your Emissions Control Warranty Coverage. It is in addition to the B&S engine warranty for non-regulated engines found in the Operator's Manual.

##### **1. Warranted Emissions Parts**

Coverage under this warranty extends only to the parts listed below (the emissions control systems parts) to the extent these parts were present on the B&S engine.

###### **a. Fuel Metering System**

- Cold start enrichment system (soft choke)
- Carburetor or fuel injection system
- Oxygen sensor
- Electronic control unit
- Fuel pump module

###### **b. Air Induction System**

- Air cleaner
- Intake manifold

###### **c. Ignition System**

- Spark plug(s)
- Magneto ignition system

###### **d. Catalyst System**

- Catalytic converter
- Exhaust manifold
- Air injection system or pulse valve

###### **e. Miscellaneous Items Used in Above Systems**

- Vacuum, temperature, position, time sensitive valves and switches
- Connectors and assemblies
- Electronic controls

##### **2. Length of Coverage**

Coverage is for a period of two years from the date of delivery to an ultimate purchaser, or for the time period listed in the respective engine or product warranty statement, whichever is greater. B&S warrants to the original purchaser and each subsequent purchaser that the engine is designed, built, and equipped so as to conform with all applicable regulations; that it is free from defects in material and workmanship that could cause the failure of a warranted part; and that it is identical in all material respects to the engine described in the manufacturer's application for certification. The warranty period begins on the date the engine or equipment is delivered to an ultimate purchaser.

The warranty on emissions-related parts is as follows:

- Any warranted part that is not scheduled for replacement as required maintenance in the Operator's Manual supplied, is warranted for the warranty period stated above. If any such part fails during the period of warranty coverage, the part will be repaired or replaced by B&S at no charge to the owner. Any such part repaired or replaced under the warranty will be warranted for the remaining warranty period.
- Any warranted part that is scheduled only for regular inspection in the Operator's Manual supplied, is warranted for the warranty period stated above. Any such part repaired or replaced under warranty will be warranted for the remaining warranty period.
- Any warranted part that is scheduled for replacement as required maintenance in the Operator's Manual supplied, is warranted for the period of time prior to the first scheduled replacement point for that part. If the part fails prior to the first scheduled replacement, the part will be repaired or replaced by B&S at no charge to the owner. Any such part repaired or replaced under warranty will be warranted for the remainder of the period prior to the first scheduled replacement point for the part.
- Add-on or modified parts that are not exempted may not be used. The use of any non-exempted add-on or modified parts by the owner will be grounds for disallowing a warranty claim. The manufacturer will not be liable to warrant failures of warranted parts caused by the use of a non-exempted add-on or modified part.

##### **3. Consequential Coverage**

Coverage shall extend to the failure of any engine components caused by the failure of any warranted emissions parts.

##### **4. Claims and Coverage Exclusions**

Warranty claims shall be filed according to the provisions of the B&S engine warranty policy. Warranty coverage does not apply to failures of emissions parts that are not original equipment B&S parts or to parts that fail due to abuse, neglect, or improper maintenance as set forth in the B&S engine warranty policy. B&S is not liable for warranty coverage of failures of emissions parts caused by the use of add-on or modified parts.

#### **Look For Relevant Emissions Durability Period and Air Index Information On Your Small Off-Road Engine Emissions Label**

Briggs & Stratton engines are certified to meet the United States Environmental Protection Agency (USEPA) Phase 2 or Phase 3 emissions standards. The Emissions Compliance Period referred to on the Emissions Compliance label indicates the number of operating hours for which the engine has been shown to meet Federal emissions requirements.

#### **For engines at or less than 80 cc displacement:**

Category C = 50 hours, Category B = 125 hours, Category A = 300 hours

#### **For engines greater than 80 cc displacement and less than 225 cc displacement:**

Category C = 125 hours, Category B = 250 hours, Category A = 500 hours

#### **For engines of 225 cc or more displacement:**

Category C = 250 hours, Category B = 500 hours, Category A = 1000 hours

80130178 Revision A

## Generelle informationer



Denne vejledning indeholder sikkerhedsoplysninger om farer og risici i forbindelse med denne motor, og den forklarer dig, hvordan du forhindrer dem. Den indeholder ligeledes oplysninger om korrekt anvendelse og vedligeholdelse af denne motor. Det er vigtigt, at du læser, forstår og overholder disse instruktioner. **Gem denne manuel til senere brug.**

**BEMÆRK:** Figurerne og illustrationerne i denne vejledning er udelukkende en reference, og de kan være anderledes end din model. Brug de figurer, der passer til din motorkonfiguration. Kontakt en autoriseret serviceforhandler efter behov.

For at kunne få reservedele skal du registrere købsdatoen, motorens model, type og trim, og serienummeret. Disse numre er placeret på din motor. Se afsnittet **Funktioner og betjeningsanordninger**.

Købsdato	
Motormodel - Type - Trim	
Motorserienummer	

## Kontaktoplysninger for europæisk kontor

For spørgsmål vedrørende europæisk emission bedes du kontakte vores europæiske kontor på:

Max-Born-Straße 2, 68519 Viernheim, Tyskland.

## Europæiske Union (EU) Trin V (5): Kuldioxid-værdier (CO<sub>2</sub>)

Indtast CO<sub>2</sub> i søgevinduet på BriggsandStratton.com for at finde kuldioxid-værdier for Briggs & Stratton EU-typegodkendelsescertifikat for motorer.

## Førersikkerhed

### Sikkerhedssymboler og signalord

Sikkerhedsadvarselssymbolet  identificerer sikkerhedsoplysninger om farer, der kan medføre personskader. Et signalord (**FARE**, **ADVARSEL** eller **FORSIGTIG**) bliver brugt for at illustrere sandsynligheden for og den mulige grad af personskade. Desuden bruges et faresymbol til at illustrere faretypen.











**FARE** indikerer en fare, som, hvis den ikke undgås, vil forårsage dødsfald eller alvorlig personskade.

**ADVARSEL** indikerer en fare, som, hvis den ikke undgås, kan forårsage dødsfald eller alvorlig personskade.

**FORSIGTIG** indikerer en farlig situation, som, hvis den ikke undgås, kan medføre alvorlig eller moderat personskade.

**BEMÆRK** angiver oplysninger, der anses som vigtige, men som ikke vedrører farer.

### Faresymboler og deres betydninger

 Sikkerhedsinformation om farer, som kan resultere i personskade.	 Læs og forstå brugervejledningen før brug af eller servicering af enheden.
 Brandfare	 Eksplosionsfare
 Fare for stød	 Fare for giftige dampe
 Fare fra varm overflade	 Fare for tilbageslag
 Fare for amputation - Bevægelige dele	 Brændstofniveau - Maks. Undgå at overfylde



## Sikkerhedsmeddelelser



### ADVARSEL

Briggs & Stratton®-motorer er ikke designet til og må ikke bruges til at drive: fun-karts; go-karts; terrængående børne-, fritids- eller sportskøretøjer (ATV'er); motorcykler, hovercraft; luftfartsprodukter eller køretøjer, der anvendes til konkurrenceformål, som ikke er sanktioneret af Briggs & Stratton. For yderligere oplysninger om racingprodukter se [www.briggsracing.com](http://www.briggsracing.com). For brug med terrængående og side-by-side ATV'er kontakt Briggs & Stratton Power Application Center, 1-866-927-3349. Forkert motorbrug kan medføre alvorlig personskade eller dødsfald.

## Information om genbrug

		Genbrug alle kartoner, æsker, brugt olie og batterier i henhold til de gældende regeringsbestemmelser.
---	--	--

## Funktioner og betjeningsanordninger






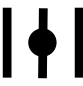


### Motorens betjeningsselementer

Sammenlign henvisningsbogstaverne i figur 1, 2 og 3 med motorens betjeningsselementer på den følgende liste:

- Motorens identifikationsnumre **Model-, type- og kodenummer**
- Tændrør
- Brændstoftank og tankdæksel
- Luftfilter
- Startsnorgreb
- Oliemålepind
- Oliepåfyldning
- Oliefåpningprop
- Lyddæmper, lyddæmperskærm (hvis installeret), gnistfanger (hvis installeret)
- Gasregulering/Brændstoffhane/TransportGuard™
- Chokerregulator
- Luftindsugningsgitter
- Elektrisk startkontakt (hvis installeret)
- Reduktionsenhed (hvis installeret)

Nogle motorer og noget udstyr har fjernbetjening. Se udstyrsmanualen for placering og betjening af fjernbetjeningsanordninger.

### Motorfaresymboler og deres betydninger

 Motorhastighed - HURTIG	 Motorhastighed - LANGSOM
 Motorhastighed - STOP	 TÆND - SLUK
 Motorstart Choker LUKKET	 Motorstart Choker ÅBEN
 Brændstofdæksel Brændstoffhane ÅBEN	 Brændstoffhane LUKKET

## Samling

### Ombygning af gasregulering

Standardmotoren har manuel gasregulering. For at kunne betjene den manuelle gasregulering installeres fjernbetjent gasregulering eller konverter til fast hastighed. Se nedenstående instruktioner.

**BEMÆRK:** Motorhastigheden skal være korrekt som specificeret af udstyrsproducentens ydelsesspecifikationer. Kontakt et autoriseret Briggs & Stratton serviceværksted for assistance.



## Manuel gasregulering

1. Flyt håndtaget til gasregulering/TransportGuard® (A, figur 4) til positionen FRA.
2. Fjern fjederen (S, figur 4).

## Fjernbetjent gasregulering med flettet trådkabel

Fjernbetjent gasregulering med flettet trådkabel kan monteres på en af to måder:  
**Retning af topstykke eller fremad.**

### Retning af topstykke

1. Flyt håndtaget til gasregulering/TransportGuard™ (A, figur 5) til positionen FRA.
2. Brug en 10 mm skruenøgle til at løsne møtrikken (P, figur 5) en halv omgang på håndtaget til gasregulering/TransportGuard® (A).
3. Hold fast i møtrikken til kabelmontering (J, figur 6) med en 10 mm skruenøgle, og løs skruen (K).
4. Monter kabeltråden (L, figur 6) gennem hullet i møtrikken til kabelmontering (J), og spænd skruen (K). Sørg for, at kabeltråden (L) ikke stikker mere end 12,7 mm (½") ud på den anden side af hullet.
5. Løsn skruen (I, figur 6). Fastgør kabelforingen (N) under kabelklemmen (M), og spænd skruen (I).
6. Kontrollér betjeningen af fjernbetjent gasregulering. Flyt fjernbetjent gasregulering fra langsom til hurtig to-tre gange. Sørg for, at fjernbetjent gasregulering og kabeltråd (L, figur 6) bevæger sig frit. Juster møtrikken (P, figur 7) efter behov for den angivne position.

### Fremad

1. Flyt håndtaget til gasregulering/TransportGuard™:
  - a. **Til 10V000- og 12V000-motormodeller:** Flyt håndtaget til gasregulering/TransportGuard™ (A, figur 8) til HURTIG-position.
  - b. **Til 25V000-motormodeller:** Flyt håndtaget til gasregulering/TransportGuard™ (A, figur 8) til positionen FRA.
2. Brug en 10 mm skruenøgle til at løsne møtrikken (P, figur 7) en halv omgang på håndtaget til gasregulering/TransportGuard® (A).
3. Hold fast i møtrikken til kabelmontering (J, figur 8) med en 10 mm skruenøgle, og løs skruen.
4. Monter kabeltråden (L, figur 8) gennem hullet i møtrikken til kabelmontering (J), og spænd skruen (K). Sørg for, at kabeltråden (L) ikke stikker mere end 12,7 mm (½") ud på den anden side af hullet.
5. Løsn skruen (I, figur 8). Fastgør kabelforingen (N) under klemmen (M), og spænd skruen (I).
6. Kontrollér betjeningen af fjernbetjent gasregulering. Flyt fjernbetjent gasregulering fra langsom til hurtig to-tre gange. Sørg for, at fjernbetjent gasregulering og kabel (L, 8) bevæger sig frit. Juster møtrikken (P, figur 7) efter behov for den angivne position.

## Fjernbetjent gasregulering med massivt trådkabel

En fjernbetjent gasregulering med massiv kabeltråd kan monteres på en af fire måder:  
**Retning af topstykke, fremad, venstre eller højre.**

### Retning af topstykke

1. Flyt håndtaget til gasregulering/TransportGuard® (A, figur 9) til positionen FRA.
2. Fjern fjederen (S, figur 9).
3. Flyt håndtaget til gasregulering/TransportGuard® (A, figur 9) til HURTIG-position.
4. Brug en 10 mm skruenøgle til at løsne møtrikken (P, figur 4) en halv omgang på håndtaget til gasregulering/TransportGuard® (A).
5. Installer kabeltrådens Z-fitting (Q, figur 9) i ét af de små huller i vinkelarmen (R).
6. Løsn skruen (I, figur 9). Fastgør kabelforingen (N) under kabelklemmen (M), og spænd skruen (I).
7. Kontrollér betjeningen af fjernbetjent gasregulering. Flyt fjernbetjent gasregulering fra langsom til hurtig to-tre gange. Sørg for, at fjernbetjent gasregulering og kabeltråd (L, figur 9) bevæger sig frit. Juster møtrikken (P, figur 4) efter behov for den angivne position.

### Fremad

1. Flyt håndtaget til gasregulering/TransportGuard® (A, figur 10) til positionen FRA.
2. Fjern fjederen (S, figur 10).
3. Flyt håndtaget til gasregulering/TransportGuard® (A, figur 10) til HURTIG-position.
4. Brug en 10 mm skruenøgle til at løsne møtrikken (P, figur 4) en halv omgang på håndtaget til gasregulering/TransportGuard® (A).
5. Installer kabeltrådens Z-fitting (Q, figur 10) i ét af de to små huller i vinkelarmen (R).

6. Løsn skruen (I, figur 10). Fastgør kabelforingen (N) under klemmen (M), og spænd skruen (I).
7. Kontrollér betjeningen af fjernbetjent gasregulering. Flyt fjernbetjent gasregulering fra langsom til hurtig to-tre gange. Sørg for, at fjernbetjent gasregulering og kabel (L, figur 10) bevæger sig frit. Juster møtrikken (P, figur 4) efter behov for den angivne position.

### Mod venstre

1. Flyt håndtaget til gasregulering/TransportGuard® (A, figur 11) til positionen FRA.
2. Fjern fjederen (S, figur 4).
3. Flyt håndtaget til gasregulering/TransportGuard® (A, figur 11) til HURTIG-position.
4. Brug en 10 mm skruenøgle til at løsne møtrikken (P, figur 4) en halv omgang på håndtaget til gasregulering/TransportGuard® (A, figur 11).
5. Fjern gasreguleringsknappen (W, figur 11) for at kunne se det lille hul (S).
6. Installer kabeltrådens Z-fitting (L, figur 11) i det lille hul (S) i gasreguleringshåndtaget (A).
7. Løsn skruen (I, figur 11). Fastgør kabelforingen (N) under klemmen (M), og spænd skruen (I).
8. Kontrollér betjeningen af fjernbetjent gasregulering. Flyt fjernbetjent gasregulering fra langsom til hurtig to-tre gange. Sørg for, at fjernbetjent gasregulering og kabel (L, figur 11) bevæger sig frit. Juster møtrikken (P, figur 4) efter behov for den angivne position.

### Mod højre

For at montere en fjernbetjent gasregulering fra højre side skal der bruges et kabelmonteringsbeslag (U, figur 12). Se afsnittet **Specifikationer og reservedele** for varemummer. For at købe et kabelmonteringsbeslag kontakt et autoriseret Briggs & Stratton serviceværksted.

1. Flyt håndtaget til gasregulering/TransportGuard® (A, figur 12) til positionen FRA.
2. Fjern fjederen (S, figur 4).
3. Fjern gasreguleringsknappen (W, figur 12) for at kunne se det lille hul (S).
4. Flyt håndtaget til gasregulering/TransportGuard® (A, figur 12) til HURTIG-position.
5. Brug en 10 mm skruenøgle til at løsne møtrikken (P, figur 4) en halv omgang på håndtaget til gasregulering/TransportGuard® (A, 12).
6. Installer kabeltrådens Z-fitting (L, figur 12) i det lille hul (S) i gasreguleringshåndtaget (A).
7. Fjern bolten (T, figur 12). Monter kabelmonteringsbeslaget (U) som vist. Fastgør kabelmonteringsbeslaget (U) med møtrikken (T). Stram møtrikken (T) til 30 pund-tommer (3,4 Nm). Se afsnittet **Specifikationer og reservedele**.
8. Løsn skruen (I, figur 12). Fastgør kabelforingen (N) under klemmen (M), og spænd skruen (I).
9. Undersøg betjeningen af fjernbetjent gasregulering. Flyt fjernbetjent gasregulering fra langsom til hurtig to-tre gange. Sørg for, at fjernbetjent gasregulering og kabel (L, figur 12) bevæger sig frit. Juster møtrikken (P, figur 4) efter behov for den angivne position.

## Fast motorhastighed (intet kabel til gasregulering)

Når der konverteres til en **fast motorhastighed**, er der ikke noget kabel til gasregulering og ingen valg af hastighed. HURTIG er den eneste motorhastighed.

1. Flyt håndtaget til gasregulering/TransportGuard® (A, figur 13) til positionen FRA.
2. Fjern fjederen (S, figur 13).
3. Flyt håndtaget til gasregulering/TransportGuard® (A, figur 13) til HURTIG-position.
4. Sørg for, at skruen (V, figur 13) sidder over hullet i beslaget. Tilspænd skruen (V) til 25 pund-tommer (2,8 Nm).
5. Fjern styreforbindelsen (H, figur 13).

**BEMÆRK:** Håndtaget til gasregulering/TransportGuard® vil nu kun have to positioner: STOP-/SLUKKET-position og KØR-position.

6. Installer den nye TÆND/SLUK TransportGuard®-mærkat (O, figur 14) over det eksisterende hastighedskontrolmærkat på trimpanelet (F).

## Betjening



**ADVARSEL** Benzindampe er brændbare og eksplosive. Brand eller eksplosion kan medføre forbrændinger eller dødsfald.

### Hvis du kan lugte gas

- Start ikke motoren.
- Tænd ikke for elektriske kontakter.
- Brug ikke en telefon i nærheden.
- Evakuer området.
- Kontakt brandvæsenet.

### Når du betjener udstyret

- Vip ikke motoren eller enheden, så brændstoffet løber ud.

### Når du flytter udstyret

- Sørg for, at brændstoffranken er TOM, eller at brændstoffnanen er i positionen LUKKET, hvis installeret.

## Kontroller oliestanden

### Før du tjekker eller påfylder olie

- Kontrollér, at motoren står plant.
- Rengør olieområdet for snavs.
- Se **Specifikationsafsnittet** mht. oliekapacitet.

### BEMÆRK

Denne motor blev leveret af Briggs & Stratton uden olie. Producenter eller forhandlere af udstyret kan have fyldt olie på motoren. Inden du starter motoren første gang, skal du sørge for, at olien er ved det rigtige niveau. Tilsæt olie som angivet i instruktionerne i denne vejledning. Hvis du starter motoren uden olie, vil den blive beskadiget og vil ikke blive repareret under garantien.

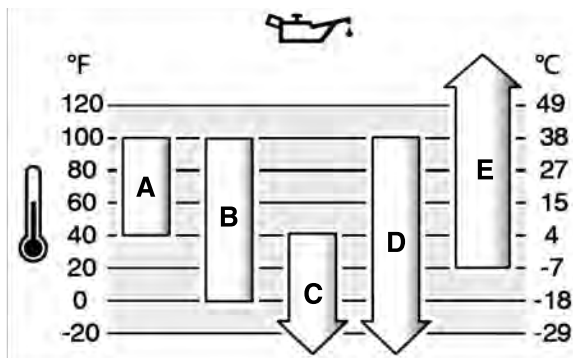
1. Tag oliepinden ud (A, figur 15), og rengør den med en klud
2. Sæt oliepinden i, og spænd den (A, figur 15).
3. Træk oliepinden op, og kontrollér oliestanden. Sørg for, at olieniveauet når op til toppen af fuld-mærket (B, figur 15) på oliepinden.
4. Motoren har to oliepåfyldninger (C, G, figur 16). Hvis oliestanden er for lav, skal du langsomt påfylde olie i motoroliepåfyldningerne (C, G). Hæld ikke for meget olie på. Vent et minut efter oliepåfyldning, og kontrollér oliestanden igen. Sørg for, at olieniveauet er korrekt.
5. Sæt oliepinden i, og spænd den (A, figur 15).

## Olieanbefalinger

**Oliekapacitet:** Se afsnittet **Specifikationer**.

Vi anbefaler at bruge olie, der er certificeret af Briggs & Stratton® for at opnå den bedste ydeevne. Andre selvrensende olier af høj kvalitet er tilladt, hvis de er godkendt til SF-, SG-, SH-, SJ-service eller højere. Undlad at bruge specielle tilsætningsstoffer.

Brug skemaet til at vælge den bedste viskositet til det forventede udendørsstemperaturinterval. Motorer i det meste udstyr til udendørs brug kører godt med syntetisk olie 5W-30. Til udstyr, der bruges i varmere temperaturer, yder Vanguard® 15W-50 syntetisk olie den bedste beskyttelse.



A	SAE 30 - Under 40 °F (4 °C) vil brugen af SAE 30 gøre det svært at starte.
B	10W-30 - Over 80 °F (27 °C) kan brugen af 10W-30 medføre forhøjet olieforbrug. Kontrollér olieniveauet ofte.
C	5W-30
D	Syntetisk 5W-30
E	Vanguard® syntetisk 15W-50

## Beskyttelsessystem for lav oliestand (hvis installeret)

Der er monteret en sensor for lav oliestand på nogle motorer. Hvis oliestanden er lav, viser sensoren enten et advarselslys eller den standser motoren. Stop motoren, og følg disse trin, før du starter motoren.

- Kontrollér, at motoren står plant.
- Foretag en oliekontrol. Se afsnittet **Kontrollér oliestand**.
- Hvis oliestanden er lav, så tilføj den korrekte mængde olie. Start motoren, og sørg for, at advarselslyset (hvis installeret) ikke tændes.
- Hvis oliestanden ikke er lav, må du ikke starte motoren. Kontakt en autoriseret serviceforhandler fra Briggs & Stratton for at få afhjulpet olieproblemet.

## Anbefalet brændstof

**Brændstoffet skal overholde følgende krav:**

- Ren, frisk blyfri benzin.
- Mindst 87 oktan/87 AKI (91 RON). Skal kunne anvendes i højder; se nedenfor.
- Benzin med op til 10 % ætanol (gasohol) er tilladt.

### BEMÆRK

Brug ikke ikke-godkendt benzin, såsom E15 og E85. Der må ikke blandes olie i benzin, og der må ikke foretages ændringer på motoren, så den fungerer med alternative brændstoffer. Brug af ikke-godkendt brændstof resulterer i skader på motorkomponenterne, som ikke bliver repareret under garantien.

For at beskytte brændstofssystemet mod korrosion og dannelse af gummi, kan man tilsætte en alkoholfri brændstofstabilisator- og ætanolbehandling. Se afsnittet **Opbevaring**. Brændstoffer er forskellige. Hvis du oplever start- eller driftsproblemer, så skift brændstofleverandør eller -mærke. Motoren er godkendt til at køre på benzin. Emissionskontrollsystemet for motorer med karburator er EM (motormodifikationer). Emissionskontrollsystemerne for motorer med elektronisk brændstofindsprøjtning er ECM (motorstyringsmodul), MFI (flerportsindsprøjtning), TBI (gasbrændstofindsprøjtning) og hvis udstyret dermed en O2S (iltsensor).

### Højder

Ved højder over 1.524 m (5.000 fod) er benzin med 85 oktan/85 AKI (89 RON) tilladt.

På motorer med karburator skal der foretages højdetilpasning for at vedligeholde ydeevnen. Drift uden disse justeringer vil medføre en nedgang i ydelse, en stigning i brændstofforbrug og øgede emissioner. Kontakt en Briggs & Stratton autoriseret forhandler for oplysninger om højdejusteringer. Drift af en motor, der er justeret til store højder, kan ikke anbefales i højder under 2.500 fod (762 m).

På motorer med elektronisk brændstofindsprøjtning (EFI) er det ikke nødvendigt at foretage justering til brug i højtliggende områder.

## Påfyld brændstof



**ADVARSEL** Benzin og benzindampe er brændbare og eksplosive. Brand eller eksplosion kan medføre forbrændinger eller dødsfald.

### Når du påfylder brændstof

- Stop motoren. Inden du fjerner brændstoffdækslet, skal du vente mindst to (2) minutter for at sikre dig, at motoren er nedkølet.
- Fyld brændstoffranken udendørs eller i et område med god luftgennemstrømning.
- Påfyld ikke for meget brændstof i tanken. Fyld ikke over bunden af brændstoffrankens hals, så der er plads til at brændstoffet kan udvide sig.
- Hold benzin væk fra gnister, åben ild, tændflammer, varme eller andre antændelseskilder.
- Undersøg ofte brændstoffledninger, brændstofftank, brændstoffdæksel og tilslutninger for revner eller lækager. Udskift beskadigede dele.
- Hvis der spildes brændstof, skal du vente, indtil det tørrer, inden du starter motoren.

1. Rengør brændstoffdækslet for snavs og affaldsrester. Fjern brændstoffdækslet.
2. Fyld brændstoffranken (A, figur 17) med brændstof. Da brændstof udvides, skal du undlade at fylde op over bunden af brændstoffrankens hals (B).
3. Sæt dækslet tilbage på plads.

## Start motoren



### ADVARSEL

**FARE FOR GIFTIGE GASSER.** Motorudstødning indeholder kulilte, som er en giftig gas, der kan dræbe på få minutter. Selvom du ikke kan lugte udstødningsgasser, kan du stadigvæk være udsat for kulilteforgiftning. Hvis du får kvalme, føler dig svimmel eller svag, mens du bruger dette produkt, skal du have frisk luft **MED DET SAMME**. Søg lægehjælp. Du kan være blevet udsat for kulilteforgiftning.

- Kulilte kan opsamles i brugte områder. For at mindske risikoen for kuliltegas skal du KUN bruge dette produkt udendørs og langt væk fra vinduer, døre og åbninger.
- Installer batteridrevne kuliltealarmer eller strømtilsluttede alarmer med batterisupport som specificeret i producentens instruktioner. Røgalarmer kan ikke fornemme kulilte.
- Du MÅ IKKE betjene dette produkt indendørs i hjem, garager, kældre, krybekældre, skure eller på andre indelukkede steder, også selvom du bruger ventilatorer eller har åbne døre og vinduer for at sikre ordentlig ventilation. Efter brug af dette produkt kan kulilte hurtigt samles i disse områder og forblive der i flere timer.
- Anbring **ALTID** dette produkt i vindretningen, og sørg for, at udstødningen peger væk fra steder, hvor der er folk til stede.



### ADVARSEL

**Benzin og benzindampe er brændbare og eksplosive. Brand eller eksplosion kan medføre forbrændinger eller dødsfald.**

#### Når du starter motoren

- Sørg for, at tændrør, lyddæmper, brændstofdæksel og luftfilter (hvis monteret) er monteret korrekt.
- Prøv ikke at starte motoren med tændrøret fjernet.
- Hvis motoren er oversvømmet, skal du indstille chokeren (hvis monteret) til positionen ÅBEN eller KØR. Flyt gashåndtaget (hvis monteret) til positionen HURTIG, og drej, indtil motoren starter.
- Hvis der er en utæthed af natur- eller LP-gas, må motoren ikke startes.
- Da dampe er brandfarlige, må du ikke bruge startvæsker under tryk.



### ADVARSEL

**Roterende dele kan gribe fat i hænder, fødder, hår, tøj eller tilbehør og resultere i traumatisk amputation eller flænger.**

- Betjen udstyr med sikkerhedsafskærmningerne monteret korrekt.
- Hold hænder og fødder i sikker afstand fra roterende dele.
- Fjern smykker, og sørg for, at langt hår er sat op og væk fra alle roterende dele.
- Bær ikke løstsiddende tøj eller genstande, som kan blive fanget.



### ADVARSEL

**Hurtig tilbagetrækning af startsnoren (tilbageslag) vil bevirke, at din hånd og arm bliver trukket hurtigere mod motoren, end du kan kontrollere. Konsekvenserne kan være brækkede knogler, skrammer eller forstuvninger.**

- For at forhindre tilbageslag når du starter motoren, så træk langsomt i startsnoren, indtil der mærkes modstand, og træk så kraftigt i den.
- Inden du starter motoren, skal du frakoble eller fjerne alt eksternt udstyr og motorbelastninger.
- Sørg for, at direkte tilkoblede dele på udstyret, såsom, men ikke begrænset til, skæreknive, skovhjul, remskiver, kædehjul, er korrekt monteret.

**BEMÆRK:** Dit udstyr kan have fjernbetjening. Se udstyrsmanualen for placering og betjening af fjernbetjeningen.

1. Kontroller motorolien. Se afsnittet **Kontrollér oliestand**.
2. Sørg for, at udstyrets kørselsbetjeningsanordninger er frakoblet, hvis monteret.
3. Flyt håndtaget til gasregulering/TransportGuard® (A, figur 18), hvis monteret, til positionen HURTIG eller KØR. Betjen motoren i HURTIG- eller KØR-position.
4. Flyt chokerregulatoren (B, figur 18) til positionen LUKKET.

Det er normalt ikke nødvendigt at bruge choker, når du starter en varm motor.

5. **Tilbageløbsstarter, hvis monteret:** Hold fast i startsnorens håndtag med et fast greb (C, figur 18). Træk i startsnorens håndtag, indtil der mærkes modstand, og træk så hurtigt.



### ADVARSEL

**Hurtig tilbagetrækning af startsnoren (tilbageslag) vil bevirke, at din hånd og arm bliver trukket hurtigere mod motoren, end du kan kontrollere. Konsekvenserne kan være brækkede knogler, skrammer eller forstuvninger.**

- For at forhindre tilbageslag når du starter motoren, så træk langsomt i startsnoren, indtil der mærkes modstand, og træk så kraftigt i den.
- Inden du starter motoren, skal du frakoble eller fjerne alt eksternt udstyr og motorbelastninger.
- Sørg for, at direkte tilkoblede dele på udstyret, såsom, men ikke begrænset til, skæreknive, skovhjul, remskiver, kædehjul, er korrekt monteret.

6. **Elektrisk starter, hvis monteret:** Drej den elektriske startkontakt (D, figur 18) til positionen START.

### BEMÆRK

Starternes levetid kan forlænges ved at bruge korte startcyklusser (maks. fem sekunder). Vent ét minut mellem startcyklusserne.

7. Når motoren bliver varm, skal du flytte chokerregulatoren (B, figur 18) til positionen ÅBEN.

Hvis motoren ikke starter efter to eller tre forsøg, skal du kontakte din lokale forhandler, gå til [vanguardpower.com](http://vanguardpower.com) eller ringe til 1-800-999-9333 (i USA).

## Stop motoren



### ADVARSEL

**Benzin og benzindampe er brændbare og eksplosive. Brand eller eksplosion kan medføre forbrændinger eller dødsfald.**

- Brug ikke chokeren (hvis monteret) til at stoppe motoren.

**Gasregulering/TransportGuard®:** Flyt gasregulering/TransportGuard® (A, figur 19) til positionen FRA eller STOP.

**BEMÆRK:** Når gasreguleringen/TransportGuard® (A, figur 19) er i FRA- eller STOP-position, er brændstofventilerne i FRA-position. Flyt altid gasreguleringen/TransportGuard® til FRA- eller STOP-position, når udstyret transporteres.

**BEMÆRK:** Nøglen (D, figur 19) stopper ikke motoren. Nøglen STARTER KUN motoren. Fjern altid nøglen (D) og opbevar den på et sikkert sted uden for børns rækkevidde.

## Vedligeholdelse Vedligeholdelsesoplysninger



### ADVARSEL

**Benzin og benzindampe er brændbare og eksplosive. Brand eller eksplosion kan medføre forbrændinger eller dødsfald.**

Under vedligeholdelse, hvis det er nødvendigt at vippe enheden, skal du sørge for, at brændstoftanken, hvis monteret på motoren, er tom, og at tændrørssiden vender opad. Hvis brændstoftanken ikke er tom, kan der forekomme brændstoflækage, og dette kan medføre brand eller eksplosion. Hvis motoren vippes i en anden retning, starter den ikke nemt på grund af olie- eller brændstofforurening af luftfilteret eller tændrøret.



### ADVARSEL

**Utilsigtede gnister fra motoren kan forårsage elektrisk stød, brand eller eksplosion samt indfiltrering, traumatisk amputation eller flænger.**

#### Før du foretager justeringer eller reparationer:

- Fjern alle tændrørskablerne fra tændrøret og opbevar dem i sikker afstand fra tændrørene.
- Afbryd batterikablet fra den negative pol (gælder kun motorer med elektrisk start).
- Brug kun passende værktøj.

#### Når du tjekker for gnister:

- Brug en godkendt tændrørstester.
- Test ikke for gnister med tændrøret fjernet.



## ADVARSEL

Alle komponenter, der bruges til at samle denne motor, skal forblive i udgangspositionen for korrekt drift. Skader eller personskaade kan opstå, hvis du bruger forkerte dele, eller du ikke udskifter alle dele på motoren.

- Reservedelene skal have samme udformning, og de skal placeres på samme måde som de originale dele.
- Udskift ikke regulatorfjederen, forbindelser eller andre dele for at øge motorens hastighed, hvis sådanne er monteret.

## BEMÆRK

Alle komponenter, der bruges til at bygge dette produkt, skal forblive på plads for korrekt drift.

Kontakt en autoriseret serviceforhandler fra Briggs & Stratton vedrørende al vedligeholdelse og eftersyn af motor og motordele.

## Udførelse af udledningskontrol

Ved vedligeholdelse, udskiftning eller reparation af udledningskontrolenheder og systemer, skal du kontakte et kvalificeret offroad-motorværksted eller en servicetekniker. For at få udført udledningskontrollen "uden beregning" skal arbejdet imidlertid udføres af en autoriseret forhandler. Se erklæringer om udledningskontrol.

## Vedligeholdelsesskema

<b>Første fem timer</b>
<ul style="list-style-type: none"> <li>• Skift olien.</li> </ul>
<b>8-timers intervaller eller dagligt</b>
<ul style="list-style-type: none"> <li>• Kontroller oliestanden i motoren.</li> <li>• Rengør området omkring lyddæmperen og betjeningsanordningerne.</li> <li>• Rengør luftindsugningsgitteret.</li> </ul>
<b>100 timers intervaller eller årligt</b>
<ul style="list-style-type: none"> <li>• Servicér udstødningssystemet.</li> <li>• Skift olie i reduktionsenhed (hvis installeret).</li> </ul>
<b>Intervaller på 200 timer eller årligt</b>
<ul style="list-style-type: none"> <li>• Skift motorolien.</li> <li>• Rens luftfilteret<sup>1</sup></li> </ul>
<b>Intervaller på 600 timer eller tre år</b>
<ul style="list-style-type: none"> <li>• Udskift luftfilteret.</li> </ul>
<b>Årligt</b>
<ul style="list-style-type: none"> <li>• Udskift tændrøret.</li> <li>• Servicér brændstofssystemet.</li> <li>• Servicér kølesystemet<sup>1</sup>.</li> <li>• Tjek ventilfrirummet<sup>2</sup>.</li> </ul>

<sup>1</sup>Rengør oftere ved støvede forhold, eller når der er mange partikler i luften..

<sup>2</sup>Ikke nødvendigt, medmindre der opstår motorproblemer.

## Karburator og motorhastighed

Undlad at foretage justeringer på karburatoren, regulatorfjederen, forbindelser eller andre dele for at justere motorens hastighed. Hvis der er behov for justering, så kontakt en autoriseret serviceforhandler fra Briggs & Stratton for service.

## BEMÆRK

Denne udstyrsproducent specificerer maks. hastighed for motoren, som er installeret på udstyret. Motoren må ikke køre med højere hastighed. Hvis du ikke er sikker på, hvad maks. hastigheden er på udstyret, eller hvilken motorhastighed, der er indstillet fra fabrikken af, så kontakt en autoriseret serviceforhandler fra Briggs & Stratton for hjælp. For sikker og korrekt brug af udstyret skal motorhastigheden kun justeres af en uddannet servicetekniker.

## Eftersyn af tændrøret

Kontrollér afstanden for tændrøret (A, figur 20) med en afstandsmåler (B). Indstil om nødvendigt tændrørgabet. Monter og fastspænd tændrøret til det korrekte moment. Se afsnittet **Specifikationer** for specifikationer mht. afstand og drejningsmoment.

## Vedligeholdelse af udstødning og kølersystemer



## ADVARSEL

Under drift bliver motoren og lyddæmperen varm. Hvis du rører ved en varm motor, kan der opstå termiske forbrændinger.

**Brændbart materiale, såsom blade, græs og krat, kan blive antændt.**

- Før du berører motoren eller lyddæmperen, skal du stoppe motoren og vente (2) minutter. Sørg for, at motoren og lyddæmperen er sikre at røre ved.
- Fjern affald fra lyddæmperen og motoren.

Det er en overtrædelse af staten Californiens forskrifter om offentlige ressourcer, afsnit 4442, at bruge eller betjene motoren på ethvert skov-, krat- eller græsdaekket område, medmindre udstødningssystemet er forsynet med en korrekt vedligeholdt gnistfanger som beskrevet i afsnit 4442. Andre stater eller statsretskredse har eventuelt lignende love, se statsforskrift 36 CFR, afsnit 261.52. Kontakt en autoriseret fabrikant eller serviceforhandler angående anskaffelse af en gnistfanger, der er konstrueret til det udstødningssystem, der er monteret på den pågældende maskine.

Dette er en luftkølet motor. Snavs og uønsket materiale kan forhindre luftstrømmen og medføre, at motoren bliver for varm. Dette fører til en utilfredsstillende ydeevne og reducerer motorens levetid. Cylindernes kølefinner kan opsamle uønsket materiale, som ikke kan fjernes uden delvis afmontering af motoren. Sørg for, at en autoriseret Briggs & Stratton-serviceforhandler undersøger og renser luftkølesystemet. Se **Vedligeholdelsesskema**.

1. Sørg for, at ingen brændbare materialer befinder sig i nærheden af eller bag ved lyddæmperen.
2. Brug en kost eller en tør klud til at fjerne al uønsket materiale fra blæserhudsækket, lyddæmperen og cylinderområdet. BRUG IKKE vand til at rengøre motoren med.
3. Sørg for at forbindelsen, fjedrene og betjeningselementerne er rene.
4. Undersøg lyddæmperen for revner, korrosion eller andre skader.
5. Fjern deflektoren eller gnistfangeren, hvis monteret, og undersøg for skader eller kulstofblokering. Sørg for at rengøre eller montere udskiftningsdelene, inden du bruger udstyret.
6. Sørg for, at olie køleribberne, er rene, hvis monteret.

## Skift motorolie



## ADVARSEL

Benzin og benzindampe er brændbare og eksplosive. Brand eller eksplosion kan medføre forbrændinger eller dødsfald.

Under drift bliver motoren og lyddæmperen varm. Hvis du rører ved en varm motor, kan der opstå termiske forbrændinger.

- Hvis du tømmer olien fra oliepåfyldningsrøret i toppen, skal brændstoffranken være tom. Hvis den ikke er tom, kan der forekomme brændstoffækage og dette kan forårsage brand eller eksplosion.
- Før du berører motoren eller lyddæmperen, skal du stoppe motoren og vente (2) minutter. Sørg for, at motoren og lyddæmperen er sikre at røre ved.

Brugt olie er et farligt affaldsprodukt og skal kasseres korrekt. Må ikke bortskaffes sammen med husholdningsaffald. Kontakt de lokale myndigheder, dit servicecenter eller din forhandler for oplysninger om sikker bortskaffelse eller korrekt aflevering til en genbrugsstation.

For **Just Check & Add™**-modeller er olieskift ikke nødvendigt. Hvis det er nødvendigt at skifte olie, skal du følge den følgende procedure.

## Aftapning af olie

1. Med motoren slukket, men stadig varm, trækkes ledningerne til tændrøret ud (D, figur 21) og holdes væk fra tændrøret (E).
2. Fjern oliepipinden (A, figur 22).
3. Motoren har to olieaftapningspropper (H, F, figur 23). Fjern olieaftapningspropperne (H, F). Tap olien ud i en godkendt beholder.
4. Monter og spænd olieaftapningspropperne (H, F, figur 23).

## Påfyld olie

- Kontrollér, at motoren står plant.
- Fjern al uønsket materiale fra oliepåfyldningsområdet.
- Se afsnittet **Specifikationer** mht. oliekapacitet.

1. Fjern oliepipinden. Se afsnittet **Aftapning af olie**.
2. Hæld langsomt olie i et af motorens oliepåfyldningshuller (C, G figur 24). Hæld ikke for meget olie på.
3. Vent i et minut, og kontrollér oliestanden.
4. Sæt oliepipinden på plads.

- Træk oliepinden op, og kontrollér oliestanden. Du finder den korrekte oliestand øverst på indikatoren på oliepinden. Se afsnittet **Kontrollér olieniveauet**.
- Sæt oliepinden tilbage på plads og stram den.
- Tilslut tændrørledningerne til tændrørene. Se afsnittet **Fjern olie**.

## Skift olie til reduktionsgear

Nogle motorer er udstyret med en gearreduktionsenhed. Hvis monteret, følges en af trinene til gearreduktionsenhederne herunder.

### 2:1 Kædereduktionsenhed

Hvis motoren er installeret med en 2:1 kædereduktionsenhed (G, figur 25), er det ikke nødvendigt at skifte olien. Olien i motoren smører også kædereduktionsenheden.

### 2:1 Reduktionsenhed til våd kobling

Hvis motoren er udstyret med en 2:1 Reduktionsenhed til våd kobling, skal du følge trinene herunder:

- Fjern oliepinden (A, figur 26).
- Fjern olieaftapningsproppen (B, figur 26), og aftap olien i en godkendt beholder.
- Monter olieaftapningsproppen, og spænd den igen (B, figur 26).
- Hæld langsomt olie i påfyldningen (C, figur 26). Se afsnittet **Specifikationer**.
- Monter oliepinden (A, figur 26).
- Træk oliepinden op (A, figur 26) og kontrollér oliestanden. Du finder den korrekte oliestand øverst på indikatoren for fuld (D) på oliepinden.
- Monter oliepinden (A, figur 26).

### 6:1 Gearreduktionsenhed

Hvis din motor er udstyret med en 6:1 gearreduktionsenhed, skal du følge trinene herunder:

- Afmonter oliepåfyldningsproppen (A, figur 27) og olieniveauproppen (B).
- Fjern olieaftapningsproppen (C, figur 27), og aftap olien i en godkendt beholder.
- Monter olieaftapningsproppen, og spænd den igen (C, figur 27).
- Tilføj langsomt gearreduktionsolie (80W-90) ned i oliepåfyldningshullet (D, figur 27). Fortsæt med at tilføje gearreduktionsolie (80W-90), indtil olien løber ud af olieniveauhullet (E).
- Monter olieniveauproppen, og spænd den igen (B, figur 27).
- Monter oliepåfyldningsproppen, og spænd den igen (A, figur 27).

**BEMÆRK:** Oliepåfyldningsproppen (A, figur 27) har et udluftningshul (F) og skal monteres oven på gearhusdækslet som vist.

## Eftersyn af luftfilteret

### ADVARSEL



**Benzindampe er brændbare og eksplosive. Brand eller eksplosion kan medføre forbrændinger eller dødsfald.**

- Start ikke motoren, og lad den ikke køre uden luftfilterenheden (hvis monteret) eller luftfilteret (hvis monteret).

### BEMÆRK

Undlad at bruge komprimeret luft eller rengøringsmidler til rengøring af filteret. Komprimeret luft kan beskadige filteret, og rengøringsmidler vil opløse filteret.

Se **Vedligeholdelsesoversigten** for servicekrav.

Forskellige modeller bruger et skum- eller papirfilter. Nogle modeller har ligeledes et valgfrit forfilter, der kan vaskes og genbruges. Sammenlign illustrationerne i denne manual med den type, der er installeret på din motor, og servicér i overensstemmelse hermed.

### Papirluftfilter

- Løsn monteringsanordning(erne) (C, figur 28).
- Afmonter dækslet (A, figur 28) og filteret (B).
- For at løsne snavs bankes filteret (B, figur 28) forsigtigt mod en hård overflade. Hvis filteret er meget snavset, udskift det med et nyt filter.
- Monter filteret (B, figur 28).
- Monter dækslet (A, figur 28) med fastgørelseselementerne (C). Sørg for, at fastgørelseselementerne er strammet.

### Papirluftfilter med lav profil

- Fjern haspen (A, figur 29) for at låse op for dækslet (C).
- Tryk tapperne ind (B, figur 29) og fjern dækslet (C).
- Fjern filteret (D, figur 29).

- For at løsne snavs bankes filteret (D, figur 29) forsigtigt mod en hård overflade. Hvis filteret er meget snavset, udskift det med et nyt filter.
- Monter filteret (D, figur 29).
- Monter dækslet (C, figur 29). Flyt haspen (A) til den låste position.

**BEMÆRK:** Tjek skumpakningens pasform (E, figur 29). Sørg for, at den omkransende skumpakning er korrekt placeret i kanalen (F).

## Vedligeholdelse af brændstofsyste

### ADVARSEL



**Benzin og benzindampe er brændbare og eksplosive. Brand eller eksplosion kan medføre forbrændinger eller dødsfald.**

- Hold benzin væk fra gnister, åben ild, tændflammer, varme eller andre antændelseskilder.
- Undersøg ofte brændstofledninger, brændstoftank, brændstofdæksel og tilslutninger for revner eller lækager. Udskift beskadigede dele.
- Hvis der spildes brændstof, skal du vente, indtil det tørrer, inden du starter motoren.

### Brændstoffilter, hvis installeret

- Fjern brændstofdækslet (A, figur 30).
- Fjern brændstoffilter (B, figur 30).
- Hvis brændstofsien er tilsmudset, skal den rengøres eller udskiftes. Hvis du udskifter brændstofsien, skal den udskiftes med en original reservedel.

## Opbevaring Brændstofsyste

Henvi til figur: 31.

### ADVARSEL



**Benzin og benzindampe er brændbare og eksplosive. Brand eller eksplosion kan medføre forbrændinger eller dødsfald.**

### Opbevaring af brændstof

- Da en tændflamme eller andre antændelseskilder kan forårsage eksplosioner, skal du holde brændstof eller udstyr på afstand af fyr, ovne, vandvarmere eller andre enheder, der har en tændflamme.

Opbevar motoren på en plan overflade (almindelig driftsposition). Fyld brændstoftanken (A, figur 31) med brændstof. Fyld ikke over brændstoftankens hals (B), da brændstoffet kan ekspandere.

Brændstof kan blive for gammelt, når det opbevares i en beholder i mere end 30 dage. Anvendelse af en alkoholfri brændstofstabilisator og ætanolbehandling i beholderen til opbevaring af brændstof anbefales for at forhindre nedbrydning af brændstof og for at holde brændstoffet frisk.

Når brændstofbeholderen fyldes med brændstof, tilsættes der en alkoholfri brændstofstabilisator som angivet i fabrikantens instruktioner. Hvis benzinen i motoren ikke er blevet behandlet med en brændstofstabilisator, skal den tømme i en godkendt beholder. Betjen motoren, indtil den løber tør for brændstof.

## Motorolie

Skift motorolien, mens motoren stadig er varm. Se afsnittet **Udskift motorolien**.

## Fejlfinding Hjælp

Hvis du har brug for hjælp, skal du kontakte din lokale forhandler eller gå til **BRIGGSandSTRATTON.COM** eller ringe på **1-800-444-7774** (i USA).

## Specifikationer og reservedele

Specifikationer	Model: 10V000	Model: 12V000
Forskydning	10.313 ci (169 cc)	12.387 ci (203 cc)
Boring	2.44 tommer (62 mm)	2.677 tommer (68 mm)
Slaglængde	2.204 tommer (56 mm)	2.204 tommer (56 mm)
Oliekapacitet	18 - 20 oz (.54 - .59 L)	18 - 20 oz (.54 - .59 L)
2:1 Reduktionsenhed til våd kobling - olietype	10W-30	10W-30
2:1 Reduktionsenhed til våd kobling - oliekapacitet	10 oz (.30 L)	10 oz (.30 L)

Specifikationer	Model: 10V000	Model: 12V000
6:1 Reduktionsgear - olietype	80W-90	80W-90
6:1 Reduktionsgear - oliekapacitet	4 oz (12 L)	4 oz (12 L)
Tændrørgab	.030 tommer (.76 mm)	.030 tommer (.76 mm)
Tilspændingsmoment for tændrør	180 pund-tommer (20 Nm)	180 pund-tommer (20 Nm)
Rotorelektrodeafstand	.010 - .013 tommer (.25 - .35 mm)	.010 - .013 tommer (.25 - .35 mm)
Ventilspillerum (indsugning)	.004 - .006 tommer (.10 - .15 mm)	.004 - .006 tommer (.10 - .15 mm)
Ventilspillerum (udstødning)	.005 - .007 tommer (.15 - .20 mm)	.005 - .007 tommer (.15 - .20 mm)

Specifikationer	Model: 25V000
Forskydning	24.898 ci (408 cc)
Boring	3.465 tommer (88 mm)
Slaglængde	2.638 tommer (67 mm)
Møtrik til kabelmonteringsbeslag	30 pund-tommer (3,4 Nm)
Kabelholderskrue	25 pund-tommer (2,8 Nm)
Oliekapacitet	28 - 32 oz (.83 - .95 L)
Tændrørgab	.030 tommer (.76 mm)
Tilspændingsmoment for tændrør	180 pund-tommer (20 Nm)
Rotorelektrodeafstand	.010 - .013 tommer (.25 - .35 mm)
Ventilspillerum (indsugning)	.004 - .006 tommer (.10 - .15 mm)
Ventilspillerum (udstødning)	.005 - .007 tommer (.15 - .20 mm)

Motoreffekten falder med 3,5 % for hver 1000 fod (300 meter) over havets overflade og med 1 % for hver 10 °F (5,6 °C) over 77 °F (25 °C). Motoren kan køre tilfredsstillende ved en hældning på op til 30°. Yderligere oplysninger om grænseværdierne for drift på hældninger findes i udstyrets betjeningsvejledning.

### Reserve dele

Find en autoriseret serviceforhandler hos BRIGGSandSTRATTON.COM for at købe Briggs & Stratton-reserve dele. Du får brug for dit identifikationsnummer (model - type - trim). Se afsnittet **Funktioner og betjeningsanordninger** for at finde dit motoridentifikationsnummer.

### Nominal belastning

Nettobelastningen for separate benzinmotormodeller er mærket i henhold til SAE (sammenslutningen af bilingeniører)-kode J1940, procedure til klassificering af lav motorkraft og drejningsmoment, og den er klassificeret i henhold til SAE J1995. Drejningsmomentværdier er målt ved 2.600 o/min. for motorer med "rpm" angivet på mærkaten og 3.060 o/min. for alle andre; hestekræftværdier er angivet ved 3.600 o/min. Nettoeffekt kurverne kan ses på [www.BRIGGSandSTRATTON.COM](http://www.BRIGGSandSTRATTON.COM). Nettokraftværdier bliver målt med udstødnings- og luftfilter monteret, hvorimod bruttokraftværdier bliver målt uden disse anordninger. Faktisk bruttomotoreffekt vil være højere end nettomotoreffekt og er bl.a. påvirket af lokale driftsforhold og variationer fra motor til motor. På grund af det store udvalg af ekstraudstyr, der kan benyttes sammen med motorer, yder benzinmotoren måske ikke den forventede bruttoeffekt, når den anvendes med et bestemt stykke ekstraudstyr. Forskellen skyldes mange forskellige faktorer, herunder eksempelvis de forskellige motordelte (luftfilter, udstødning, opladning, kølesystem, karburator, brændstofpumpe osv.), anvendelsesbegrænsninger, omgivelsernes driftsforhold (temperatur, fugtighed, højde) samt motor-til-motor-variation. På grund af fabriktions- og kapacitetsbegrænsninger kan Briggs & Stratton erstatte en motor med højere effekt for denne motor.

### Garanti

#### Briggs & Stratton® Motorgaranti

Gældende fra marts 2023

##### Begrænset garanti

Briggs & Stratton garanterer, at i løbet af den garantiperiode, der er angivet herunder, vil denne gratis og efter eget skøn reparere eller udskifte enhver del, der er defekt i materiale eller håndværk eller begge dele, med en ny, renoveret eller genproduceret del. Transportomkostninger i forbindelse med et produkt, som indleveres til reparation eller udskiftning under denne garanti, afholdes af køberen. Denne garanti er gyldig inden for tidsperioderne og underlagt nedenstående betingelser. I forbindelse med garantiservice finder du den nærmeste autoriserede serviceforhandler på vores kort med forhandleroversigt på [BRIGGSandSTRATTON.COM](http://BRIGGSandSTRATTON.COM). Køberen skal kontakte

den autoriserede serviceforhandler og derefter stille produktet til rådighed for den autoriserede serviceforhandler med henblik på inspektion og afprøvning.

Der ydes ikke nogen anden udtrykkelig garanti. Underforståede garantier, inklusive garantier for salgbarhed og egnethed til et bestemt formål, er begrænset til et år fra købsdato eller i den udstrækning loven tillader. Alle andre underforståede garantier bortfalder. Ansvar for hændelige skader eller følgeskader er udelukket, i det omfang lovgivningen tillader udelukkelse. Visse stater eller lande tillader ikke begrænsninger på, hvor lang tid en underforstået garanti varer, og visse stater eller lande tillader ikke udelukkelse eller begrænsning af tilfældig skade eller følgeskade, så ovenstående begrænsning og udelukkelse er måske ikke gældende for dig. Denne garanti giver dig specifikke juridiske rettigheder, og du kan endvidere have andre rettigheder, som kan variere fra land til land.

### Vilkår for standardgaranti<sup>1, 2</sup>

#### Vanguard®; CXi Series

Forbrugeranvendelse - 36 måneder

Erhvervsmæssig anvendelse - 36 måneder

#### XR-serien

Forbrugeranvendelse - 24 måneder

Erhvervsmæssig anvendelse - 24 måneder

#### Alle andre motorer med Dura-Bore™ støbejernsboring

Forbrugeranvendelse - 24 måneder

Erhvervsmæssig anvendelse - 12 måneder

#### Alle andre motorer

Forbrugeranvendelse - 24 måneder

Erhvervsmæssig anvendelse - 3 måneder

<sup>1</sup> Dette er vores vilkår for standardgaranti, men der kan lejlighedsvist være ekstra garantidækning, der ikke var fastslået på tidspunktet for offentliggørelsen. Hvis du ønsker en liste over gældende garantivilkår for din motor, så gå til [BRIGGSandSTRATTON.COM](http://BRIGGSandSTRATTON.COM), eller kontakt din autoriserede Briggs & Stratton-serviceforhandler.

<sup>2</sup> Der er ikke garanti på motorer på udstyr, der bruges til primæreffekt i stedet for et hjælperekskab; standbygeneratorer, der anvendes til kommercielle formål, hjælpekræfter, der overstiger 25 mph, eller motorer, der bruges til konkurrencemæssige motorløb eller på kommercielle eller lejebaserede baner.

Garantiperioden starter på købsdatoen for den første detailkøber eller erhvervsmæssige slutbruger og fortsætter i den tidsperiode, som er angivet i tabellen ovenfor. "Privat brug" betyder brug i personlig beboelseshusholdning hos en detailkunde. "Erhvervsmæssig brug" betyder al anden form for brug, inklusive erhvervsmæssigt, indkomstdannende eller lejebaseret formål. Når en motor har været anvendt erhvervsmæssigt, skal den herefter anses for at være en motor til erhvervsbrug i henhold til denne garanti.

Det er ikke nødvendigt at registrere garanti for at opnå garanti på produkter, der bærer Briggs & Stratton-varemærket. Gem dit købsbevis. Hvis du ikke kan fremvise bevis for den oprindelige købsdato på det tidspunkt, hvor du anmoder om garantiservice, vil produktets produktionsdato blive brugt som grundlag for garantien.

#### Om garantien

Denne garanti dækker alene motor-relaterede materiale- og/eller fremstillingsfejl og ikke udskiftning eller tilbagebetaling for det redskab, hvorpå motoren måtte være monteret. Rutinemæssig vedligeholdelse, optuning, justeringer eller normal slidage dækkes ikke under denne garanti. På samme måde gælder denne garanti heller ikke, hvis motoren er ændret eller modificeret, eller hvis motorens serienummer er ødelagt eller fjernet. Denne garanti dækker ikke motorskade eller driftsproblemer som følge af:

1. Brug af dele, der ikke er Briggs & Stratton
2. Betjening af motoren med utilstrækkelig, forurenede eller forkert type olie
3. Brug af forurenede eller gammel olie, benzin med mere end 10 % etanol eller brug af alternative brændstoffer som petroleumsvæske eller naturgas på motorer, der ikke oprindeligt er udviklet/fremstillet af Briggs & Stratton til at fungere med sådanne brændstoffer;
4. Snavs, der er trængt ind i motoren på grund af utilstrækkelig vedligeholdelse af luftrensesystemet eller genmontering;
5. Stød mod et objekt med skæreblandet i en roterende plæneklipper, løse eller forkert installeret bladadaptere, rotor eller andet udstyr koblet på krumtapakslen eller for høj V-remspænding
6. Tilhørende dele eller tilbehør som koblinger, transmissioner, udstyrskontroller osv., som ikke leveres af Briggs & Stratton;
7. Overophedning på grund af græsslåning, snavs og affald eller gnaverredder, der tilstopper kølefinerne eller svinghjulsområdet eller drift af motoren uden tilstrækkelig ventilation

8. Overdreven vibration på grund af for høj hastighed, løs motormontering, løse eller ubalancerede skæreblade eller rotor eller forkert kobling af udstyrskomponenter på krumtapakslen
9. Misbrug, mangel på rutinevedligeholdelse, forsendelse, håndtering eller udstyrets opbevaring på lager eller forkert motorinstallation.

Servicegarantien er kun tilgængelig via autoriserede Briggs & Stratton-serviceforhandlere. Find din nærmeste serviceforhandler på vores forhandlerkort på BRIGGSandSTRATTON.COM eller ved at ringe til 1-800-444-7774 (i USA).

80114782 (Revision B)

## Briggs & Stratton Emissions Warranty

### Producentgarantien dækker:

Udstødningsemissionskontrollsystemet på din motor er dækket af garantien i to år. Hvis en emissionsrelateret komponent på din motor bliver defekt, vil den blive repareret eller udskiftet af B&S.

### Krav til ejeren i forbindelse med garantien:

- Som ejer af en motor er du ansvarlig for at udføre den påkrævede vedligeholdelse, der er anført i din brugervejledning. B&S anbefaler dig at gemme alle kvitteringer for vedligeholdelse af motoren, men B&S kan imidlertid ikke nægte at udføre garantiarbejde alene på grund af manglende kvitteringer eller på grund af, at brugeren har undladt at udføre al planlagt vedligeholdelse.
- Som ejer af motoren skal du imidlertid være opmærksom på, at B&S kan afvise at dække omkostningerne, hvis din motor eller en del er defekt som følge af misbrug, forsømmelse, utilstrækkelig vedligeholdelse eller uautoriserede ændringer.
- Du er ansvarlig for at bringe din motor til et B&S-distributionscenter eller et B&S-servicecenter, så snart problemet opstår. Reparationer under garantien vil blive udført inden for en rimelig tidsfrist, som ikke må overstige 30 dage. Hvis du har spørgsmål om dine garantirettigheder og -forpligtelser, bedes du kontakte B&S på 1-800-444-7774 (i USA) eller via BRIGGSandSTRATTON.COM.

80130178 Revision A

Not for  
Reproduction

## Allgemeine Informationen



Dieses Handbuch enthält Sicherheitsinformationen über die mit dem Motor verbundenen Gefahren und Risiken und deren Vermeidung. Es enthält auch Hinweise zur korrekten Bedienung und Wartung des Motors. Es ist wichtig, dass Sie diese Anweisungen lesen, verstehen und befolgen. **Bewahren Sie dieses Handbuch zum späteren Nachschlagen auf.**

**HINWEIS:** Die Abbildungen und Illustrationen in dieser Anleitung dienen nur zur Information und können von Ihrem Modell abweichen. Verwenden Sie die Zahlen, die mit Ihrer Motorkonfiguration übereinstimmen. Wenden Sie sich im Bedarfsfall an eine Vertragswerkstatt.

Notieren Sie das Kaufdatum, das Motormodell, den Typ, die Ausstattung und die Seriennummer des Motors für Ersatzteile. Diese Nummern befinden sich auf Ihrem Motor. Siehe Abschnitt **Funktionen und Bedienungselemente**.

Kaufdatum	
Motormodell – Typ – Trim	
Motorseriennummer	

## Kontaktinformationen für das europäische Büro

Für Fragen bezüglich europäischer Emissionen kontaktieren Sie bitte unser europäisches Büro unter:

Max-Born-Straße 2, 68519 Viernheim, Deutschland.

## Europäische Union (EU) Stufe V (5): Kohlendioxidwerte (CO<sub>2</sub>)

Geben Sie CO<sub>2</sub> im Suchfenster auf BriggsandStratton.com ein, um die Kohlendioxidwerte von Briggs & Stratton Motoren mit EU-Genehmigungszertifikat zu finden.

## Bedienersicherheit

### Sicherheitshinweissymbole und Signalworte



Das Sicherheitswarnsymbol enthält Sicherheitsinformationen über Gefahren, die zu Verletzungen führen können. Ein Signalwort (**GEFAHR**, **WARNUNG** oder **VORSICHT**) wird verwendet, um die Wahrscheinlichkeit und den potenziellen Schweregrad von Verletzungen anzuzeigen. Außerdem wird ein Gefahrensymbol verwendet, um die Art des Risikos darzustellen.

**GEFAHR** weist auf ein Risiko hin, das zum Tod oder zu schweren Verletzungen führen wird, wenn es nicht vermieden wird.

**WARNUNG** weist auf ein Risiko hin, das zum Tod oder zu schweren Verletzungen führen könnte, wenn es nicht vermieden wird.

**VORSICHT** weist auf eine Gefahr hin, die zu leichten bis mittelschweren Verletzungen führen könnte, wenn sie nicht vermieden wird.

**HINWEIS** weist auf Informationen hin, die wichtig sind, sich jedoch nicht auf eine Gefahr beziehen.

## Gefahrensymbole und deren Bedeutung

Warnhinweis zu Risiken, die zu Verletzungen führen können.	Lesen und verstehen Sie die Bedienungsanleitung, bevor Sie mit der Maschine arbeiten oder diese warten.
Brandgefahr	Explosionsgefahr!
Stromschlaggefahr	Gefahr durch giftige Dämpfe

Gefahr durch heiße Oberflächen	Rückschlaggefahr
Amputationsgefahr – bewegliche Teile	Kraftstoffpegel - Maximum Nicht überfüllen

## Sicherheitshinweise



**WARNUNG** Motoren von Briggs & Stratton® sind nicht konzipiert und nicht geeignet für den Antrieb von Fun-Karts, Go-Karts, Freizeitfahrzeugen für Kinder, Geländefahrzeugen für den Motorsport (ATVs), Motorrädern, Luftkissenfahrzeugen, Luftfahrzeugen oder Fahrzeugen für den Rennsport, wenn dies nicht von Briggs & Stratton genehmigt ist. Informationen über Rennsportprodukte finden Sie auf [www.briggsracing.com](http://www.briggsracing.com). Zum Einsatz mit Nutzfahrzeug- und Side-by-side-ATVs wenden Sie sich bitte an das Briggs & Stratton Power Application Center, 1-866-927-3349. Eine fehlerhafte Motorverwendung könnte zu schweren Verletzungen oder zum Tod führen.

## Recyclinginformation

		Alle Kartons, Boxen, Altöl und Akkus gemäß den behördlichen Vorschriften recyceln.
--	--	--

## Funktionen und Bedienungselemente

### Bedienelemente am Motor

Vergleichen Sie die Kennbuchstaben in den Abbildungen 1, 2 und 3 mit den Motorsteuerungen in der folgenden Liste:

- Motorkennzeichnung **Modell - Typ - Code**
- Zündkerze
- Tank und Tankdeckel
- Luftfilter
- Startseilzugriff
- Ölpeilstab
- Öleinfüllöffnung
- Ölablassschraube
- Schalldämpfer, Schalldämpferschutz (falls vorhanden), Funkenfänger (falls vorhanden)
- Kraftstoffabschaltung/Gasbedienung/TransportGuard™
- Choke-Knopf
- Lufteinlassgitter
- Elektrischer Startschalter (falls installiert)
- Untersetzungsgetriebe (falls installiert)

Einige Motoren und Geräte sind mit Fernbedienung ausgestattet. Position und Betrieb der Fernbedienung finden Sie in der Geräteanleitung.

## Symbole zur Motorregelung und ihre Bedeutungen

Motordrehzahl – SCHNELL	Motordrehzahl – LANGSAM
Motordrehzahl – STOPP	EIN – AUS
Motor anlassen Choke GESCHLOSSEN	Motor anlassen Choke OFFEN





Tankdeckel  
Kraftstoffhahn OFFEN



Kraftstoffhahn  
GESCHLOSSEN

## Baugruppe

### Gasregler-Umbau

Der Standardmotor ist mit einem manuellen Gasregler ausgestattet. Um die manuelle Drosselklappe zu bedienen, eine Drosselklappenfernsteuerung installieren oder auf eine feste Geschwindigkeit umstellen. Beachten Sie die folgenden Anweisungen.

**HINWEIS:** Die Motordrehzahl muss gemäß den Leistungsangaben des Geräteherstellers korrekt sein. Setzen Sie sich mit einem Briggs & Stratton-Vertragshändler in Verbindung.

### Manuelle Drosselklappensteuerung

1. Den Drosselklappen-/TransportGuard®-Hebel (A, Abbildung 4) in die Position AUS bringen.
2. Feder herausnehmen (S, Abbildung 4).

### Fernbedienung des Gasreglers mit geflochtenem Kabel

Eine Drosselklappenfernsteuerung mit einem geflochtenen Kabel kann in eine von zwei Richtungen installiert werden: **Richtung des Zylinderkopfs** oder **vordere Richtung**.

#### Zylinderkopfrichtung

1. Stellen Sie den Gashebel/TransportGuard™-Hebel (A, Abbildung 5) in die Position AUS.
2. Mit einem 10-mm-Schlüssel die Mutter (P, Abbildung 5) lösen und eine halbe Umdrehung am Drosselklappen-/TransportGuard®-Hebel (A) ausführen.
3. Die Kabelbefestigungsmutter (J, Abbildung 6) mit einem 10-mm-Schlüssel halten und die Schraube (K) lösen.
4. Den Kabeldraht (L, Abbildung 6) durch das Loch in der Kabelbefestigungsmutter (J) führen und die Schraube (K) festziehen. Sicherstellen, dass der Kabeldraht (L) nicht mehr als 12,7 mm über das Loch hinausragt.
5. Die Schraube lösen (I, Abbildung 6). Die Kabeltülle (N) unter der Kabelklemme (M) befestigen und die Schraube (I) festziehen.
6. Betrieb des Gasbedienungshebels überprüfen. Drosselklappenhebel 2-3-mal von langsam auf schnell bewegen. Sicherstellen, dass die Drosselklappenfernsteuerung und das Kabel (L, Abbildung 6) frei beweglich sind. Die Mutter (P, Abbildung 7) nach Bedarf auf die gewünschte Position einstellen.

#### Vorderrichtung

1. Stellen Sie den Gashebel/TransportGuard™-Hebel ein:
  - a. **Für die Motormodelle 10V000 und 12V000:** Den Drosselklappen-/TransportGuard™-Hebel (A, Abbildung 8) in die Position SCHNELL bringen.
  - b. **Für die Motormodelle 25V000:** Stellen Sie den Gashebel/TransportGuard™-Hebel (A, Abbildung 8) in die Position AUS.
2. Mit einem 10-mm-Schlüssel die Mutter (P, Abbildung 7) lösen und eine halbe Umdrehung am Drosselklappen-/TransportGuard®-Hebel (A) ausführen.
3. Die Kabelbefestigungsmutter (J, Abbildung 8) mit einem 10-mm-Schlüssel halten und die Schraube lösen.
4. Den Kabeldraht (L, Abbildung 8) durch das Loch in der Kabelbefestigungsmutter (J) führen und die Schraube (K) festziehen. Sicherstellen, dass der Kabeldraht (L) nicht mehr als 12,7 mm über das Loch hinausragt.
5. Die Schraube lösen (I, Abbildung 8). Die Kabeltülle (N) unter der Klemme (M) befestigen und die Schraube (I) festziehen.
6. Betrieb des Gasbedienungshebels überprüfen. Drosselklappenhebel 2-3-mal von langsam auf schnell bewegen. Sicherstellen, dass die Drosselklappenfernsteuerung und das Kabel (L, 8) frei beweglich sind. Die Mutter (P, Abbildung 7) nach Bedarf auf die gewünschte Position einstellen.

### Fernbedienter Gasregler mit Volldrahtkabel

Eine Drosselklappenfernsteuerung mit einem Massivdrahtkabel kann in einer von vier Richtungen installiert werden: **Richtung des Zylinderkopfs**, **vordere Richtung**, **linke Richtung**, oder **rechte Richtung**.

#### Zylinderkopfrichtung

1. Den Drosselklappen-/TransportGuard®-Hebel (A, Abbildung 9) in die Position AUS bringen.
2. Feder herausnehmen (S, Abbildung 9).
3. Den Drosselklappen-/TransportGuard®-Hebel (A, Abbildung 9) in die Position SCHNELL bringen.

4. Mit einem 10-mm-Schlüssel die Mutter (P, Abbildung 4) lösen und eine halbe Umdrehung am Drosselklappen-/TransportGuard®-Hebel (A) ausführen.
5. Z-Verschraubung des Massivdrahtkabels (Q, Abbildung 9) an einer der kleinen Bohrungen im Umlenkhebel (R) anbringen.
6. Die Schraube lösen (I, Abbildung 9). Die Kabeltülle (N) unter der Kabelklemme (M) befestigen und die Schraube (I) festziehen.
7. Betrieb des Gasbedienungshebels überprüfen. Den Gasbedienungshebel 2-3-mal von langsam auf schnell bewegen. Sicherstellen, dass die Drosselklappenfernsteuerung und das Kabel (L, Abbildung 9) frei beweglich sind. Die Mutter (P, Abbildung 4) nach Bedarf auf die gewünschte Position einstellen.

#### Vorderrichtung

1. Den Drosselklappen-/TransportGuard®-Hebel (A, Abbildung 10) in die Position AUS bringen.
2. Feder herausnehmen (S, Abbildung 10).
3. Den Drosselklappen-/TransportGuard®-Hebel (A, Abbildung 10) in die Position SCHNELL bringen.
4. Mit einem 10-mm-Schlüssel die Mutter (P, Abbildung 4) lösen und eine halbe Umdrehung am Drosselklappen-/TransportGuard®-Hebel (A) ausführen.
5. Die Z-Verschraubung des Massivdrahtkabels (Q, Abbildung 10) an einer der beiden kleinen Bohrungen im Umlenkhebel (R) anbringen.
6. Die Schraube lösen (I, Abbildung 10). Die Kabeltülle (N) unter der Klemme (M) befestigen und die Schraube (I) festziehen.
7. Betrieb des Gasbedienungshebels überprüfen. Drosselklappenhebel 2-3-mal von langsam auf schnell bewegen. Sicherstellen, dass die Drosselklappenfernsteuerung und das Kabel (L, Abbildung 10) frei beweglich sind. Die Mutter (P, Abbildung 4) nach Bedarf auf die gewünschte Position einstellen.

#### Linksrichtung

1. Den Drosselklappen-/TransportGuard®-Hebel (A, Abbildung 11) in die Position AUS bringen.
2. Feder herausnehmen (S, Abbildung 4).
3. Den Drosselklappen-/TransportGuard®-Hebel (A, Abbildung 11) in die Position SCHNELL bringen.
4. Lösen Sie mit einem 10-mm-Schlüssel die Mutter (P, Abbildung 4) mit einer halben Umdrehung am Gashebel/TransportGuard®-Hebel (A, Abbildung 11).
5. Den Gasbedienungsknopf (W, Abbildung 11) entfernen, um an die kleine Bohrung (S) zu gelangen.
6. Die Z-Verschraubung des Massivdrahtkabels (L, Abbildung 11) an der kleinen Bohrung (S) im Drosselklappenhebel (A) anbringen.
7. Die Schraube lösen (I, Abbildung 11). Die Kabeltülle (N) unter der Klemme (M) befestigen und die Schraube (I) festziehen.
8. Betrieb des Gasbedienungshebels überprüfen. Drosselklappenhebel 2-3-mal von langsam auf schnell bewegen. Sicherstellen, dass die Drosselklappenfernsteuerung und das Kabel (L, Abbildung 11) frei beweglich sind. Die Mutter (P, Abbildung 4) nach Bedarf auf die gewünschte Position einstellen.

#### Rechtsrichtung

Um eine Drosselklappenfernsteuerung aus der richtigen Richtung zu installieren, ist eine Kabelhalterung (U, Abbildung 12) erforderlich. Die Teilenummer finden Sie im Abschnitt **Spezifikationen und Ersatzteile**. Zum Kauf einer Kabelmontagehalterung wenden Sie sich bitte an einen Briggs & Stratton-Vertragshändler.

1. Den Drosselklappen-/TransportGuard®-Hebel (A, Abbildung 12) in die Position AUS bringen.
2. Feder herausnehmen (S, Abbildung 4).
3. Den Gasbedienungsknopf (W, Abbildung 12) entfernen, um die kleine Bohrung (S) freizulegen.
4. Den Drosselklappen-/TransportGuard®-Hebel (A, Abbildung 12) in die Position SCHNELL bringen.
5. Mit einem 10-mm-Schlüssel die Mutter (P, Abbildung 4) lösen und eine halbe Umdrehung am Drosselklappen-/TransportGuard®-Hebel (A, 12) ausführen.
6. Die Z-Verschraubung des Massivdrahtkabels (L, Abbildung 12) an der kleinen Bohrung (S) im Drosselklappenhebel (A) anbringen.
7. Die Schraube entfernen (T, Abbildung 12). Die Kabelhalterung (U) wie abgebildet montieren. Die Kabelhalterung (U) mit der Schraube (T) befestigen. Die Schraube (T) mit 30 Pfund-Zoll (3,4 Nm) anziehen. Siehe Abschnitt **Spezifikationen und Ersatzteile**.
8. Die Schraube lösen (I, Abbildung 12). Die Kabeltülle (N) unter der Klemme (M) befestigen und die Schraube (I) festziehen.

- Die Funktion der Drosselklappenfernsteuerung überprüfen. Drosselklappenhebel 2-3-mal von langsam auf schnell bewegen. Sicherstellen, dass die Drosselklappenfernsteuerung und das Kabel (L, Abbildung 12) frei beweglich sind. Die Mutter (P, Abbildung 4) nach Bedarf auf die gewünschte Position einstellen.

### Feste Motordrehzahl (Kein Gasreglerkabel)

Bei der Umstellung auf eine **feste Motordrehzahl** ist kein Gaszug installiert und es gibt keine Drehzahlwahl. Die einzige Motordrehzahl ist SCHNELL.

- Den Drosselklappen-/TransportGuard®-Hebel (A, Abbildung 13) in die Position AUS bringen.
- Feder herausnehmen (S, Abbildung 13).
- Den Drosselklappen-/TransportGuard®-Hebel (A, Abbildung 13) in die Position SCHNELL bringen.
- Sicherstellen, dass die Schraube der Kabelhalterung (V, Abbildung 13) mit der Bohrung in der Halterung übereinstimmt. Die Schraube (V) mit 25 Pfund-Zoll (2,8 Nm) anziehen.
- Das Steuerglied (H, Abbildung 13) entfernen.

**HINWEIS:** Zu diesem Zeitpunkt hat der Drosselklappen-/TransportGuard®-Hebel nur zwei Positionen: Die STOPP- / AUS-Position und die Position BETRIEB.

- Das neue TransportGuard®-Etikett EIN/AUS (O, Abbildung 14) über dem vorhandenen Geschwindigkeitsregler-Etikett auf der Verkleidung (F) anbringen.

## Betrieb



**WARNUNG** Kraftstoffdämpfe sind entzündlich und explosiv. Feuer oder Explosionen können Verbrennungen oder den Tod zur Folge haben.

#### Wenn Benzin gerochen wird

- Den Motor nicht anlassen.
- Keine elektrischen Schalter betätigen.
- Kein Telefon in der Nähe benutzen.
- Den Bereich evakuieren.
- Wenden Sie sich an die Feuerwehr.

#### Beim Betrieb des Geräts

- Kippen Sie den Motor bzw. das Gerät nicht in einem Winkel, bei dem Kraftstoff verschüttet werden könnte.

#### Wenn Sie den Standort des Geräts wechseln:

- Vergewissern Sie sich, dass der Kraftstofftank LEER ist oder dass das Kraftstoffabsperrventil, falls vorhanden, in der Position GESCHLOSSEN ist.

## Kontrolle des Ölstands

#### Bevor Sie den Ölstand überprüfen oder Öl nachfüllen

- Achten Sie darauf, dass der Motor waagrecht steht.
- Ölbereich von Verschmutzungen reinigen.
- Zum Ölfassungsvermögen siehe den Abschnitt **Spezifikationen**.

#### HINWEIS

Dieser Motor wird von Briggs & Stratton ohne Öl geliefert. Gerätehersteller oder Händler können dem Motor Öl hinzugefügt haben. Bevor Sie den Motor zum ersten Mal starten, stellen Sie sicher, dass der Ölstand korrekt ist. Fügen Sie gemäß den Anleitungen in diesem Handbuch Öl hinzu. Wenn der Motor ohne Öl gestartet wird, treten Schäden auf und der Motor wird nicht im Rahmen der Garantie repariert werden.

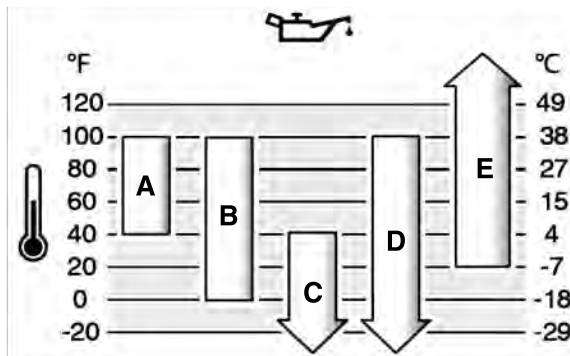
- Den Peilstab (A, Abbildung 15) entfernen und ihn mit einem Tuch reinigen.
- Setzen Sie den Ölmesstab (A, Abbildung 15) ein, und ziehen Sie diesen fest.
- Ziehen Sie den Messstab heraus und kontrollieren Sie den Ölstand. Stellen Sie sicher, dass das Öl bis zur Voll-Markierung (B, Abbildung 15) des Ölmesstabs steht.
- Der Motor hat zwei Öleinfüllöffnungen (C, G, Abbildung 16). Bei niedrigem Ölstand langsam Öl in die Öleinfüllöffnungen (C, G) des Motors einfüllen. Füllen Sie nicht zu viel Öl ein. Warten Sie nach dem Nachfüllen von Öl eine Minute, und kontrollieren Sie anschließend den Ölstand erneut. Stellen Sie sicher, dass der Ölstand korrekt ist.
- Setzen Sie den Ölmesstab (A, Abbildung 15) ein, und ziehen Sie diesen fest.

## Empfehlungen zum Öl

**Ölfassungsvermögen:** Siehe Abschnitt **Spezifikationen**.

Um eine bestmögliche Leistung zu garantieren, empfehlen wir die Verwendung von durch die Briggs & Stratton®-Garantie abgedeckten Ölen. Andere qualitativ hochwertige Öle sind zulässig, falls diese für die Klassen SF, SG, SH, SJ oder höher zertifiziert sind. Verwenden Sie keine speziellen Additive.

Verwenden Sie die Tabelle, um die beste Viskosität für die Spanne der erwarteten Außentemperatur auszuwählen. Die Motoren der meisten Motorgeräte für den Außenbereich funktionieren gut mit 5W-30 Synthetiköl. Für Geräte, die bei heißen Temperaturen betrieben werden, bietet das synthetische Öl Vanguard® 15W-50 den besten Schutz.



<b>A</b>	<b>SAE 30</b> – Unter 40 °F (4 °C) führt die Verwendung von SAE 30 zu Startschwierigkeiten.
<b>B</b>	<b>10W-30</b> – Über 80 °F (27 °C) kann die Verwendung von 10W-30 zu einem höheren Ölverbrauch führen. Überprüfen Sie regelmäßig den Ölstand.
<b>C</b>	<b>5W-30</b>
<b>D</b>	<b>Synthetisch 5W-30</b>
<b>E</b>	<b>Vanguard® Synthetisch 15W-50</b>

## Ölniedrigstandsenschutzsystem (falls installiert)

Manche Motoren verfügen über einen Sensor, der einen niedrigen Ölstand anzeigt. Wenn der Ölstand zu niedrig ist, zeigt der Sensor eine Warnleuchte an oder schaltet den Motor ab. Stellen Sie den Motor ab und führen Sie die folgenden Schritte aus, bevor Sie den Motor starten.

- Stellen Sie sicher, dass der Motor waagrecht steht.
- Den Ölstand überprüfen. Siehe Abschnitt **Ölstand überprüfen**.
- Bei zu niedrigem Ölstand die korrekte Menge Öl nachfüllen. Starten Sie den Motor und vergewissern Sie sich, dass die Warnleuchte (falls vorhanden) nicht aufleuchtet.
- Wenn der Ölstand nicht zu niedrig ist, den Motor nicht starten. Wenden Sie sich zur Behebung des Ölproblems an einen autorisierten Briggs & Stratton Vertragshändler.

## Kraftstoffempfehlungen

#### Kraftstoff muss folgende Anforderungen erfüllen:

- Sauberes, frisches, bleifreies Benzin.
- Mindestens 87 Oktan/87 AKI (91 RON). Große Höhenlagen siehe unten.
- Benzin mit bis zu 10 % Ethanol (Ethanol/Benzin-Kraftstoff) ist zulässig.

#### HINWEIS

Verwenden Sie keine ungenehmigten Benzinsorten, wie zum Beispiel E15 und E85. Vermischen Sie Öl nicht mit Benzin und ändern Sie den Motor nicht, damit er mit anderen Kraftstoffen läuft. Bei Verwendung nicht zugelassener Kraftstoffe könnten Schäden an Motorkomponenten entstehen, die im Rahmen der Garantie nicht repariert werden.

Um das Kraftstoffsystem vor Gummibildung und Korrosion zu schützen, mischen Sie einen alkoholfreien Kraftstoffstabilisator und eine Ethanolbehandlung in den Kraftstoff. Siehe Abschnitt **Aufbewahrung**. Nicht alle Kraftstoffe sind gleich. Falls Probleme beim Starten oder mit der Leistung auftreten, wechseln Sie Ihre Tankstelle oder die Kraftstoffmarke. Der Motor ist für den Betrieb mit Benzin zugelassen. Das System zur Emissionskontrolle bei Vergasermotoren wird als EM (Motormodifikationen) bezeichnet. Die Emissionskontrollsysteme für Motoren mit elektronischer Kraftstoffeinspritzung sind ECM (Engine Control Module), MFI (Multiport Fuel Injection), TBI (Throttle Body Fuel Injection) und, falls vorhanden, ein O2S (Oxygen Sensor).

#### Große Höhenlagen

Ab einer Höhenlage von 5000 Fuß (1524 m) über NN ist nur Benzin mit mindestens 85 Oktan/85 AKI (89 RON) zulässig.

Bei Vergasermotoren ist eine Einstellung für große Höhen erforderlich, damit die Leistung beibehalten wird. Der Betrieb ohne diese Anpassung führt zu verringerter Leistung, erhöhtem Kraftstoffverbrauch und erhöhten Emissionen. Bitte suchen Sie einen autorisierten Briggs & Stratton Dienstleistungsanbieter auf, um nähere Informationen zur Anpassung an große Höhenlagen zu erhalten. Der Betrieb des Motors in Höhen unter 2500 Fuß (762 m) über NN mit dem Kit für große Höhenlagen wird nicht empfohlen.

Für Motoren mit elektronischer Kraftstoffeinspritzung (EFI), ist eine Anpassung an große Höhenlagen nicht notwendig.

## Kraftstoff nachfüllen



### WARNUNG

Der Kraftstoff und seine Dämpfe sind entzündlich und explosiv. Feuer oder Explosionen können Verbrennungen oder den Tod zur Folge haben.

#### Beim Nachfüllen von Kraftstoff

- Stellen Sie den Motor ab. Vor dem Entfernen des Tankdeckels mindestens zwei (2) Minuten warten, um sicherzustellen, dass der Motor abgekühlt ist.
  - Füllen Sie den Kraftstofftank im Freien oder in einem Bereich mit guter Lüftung.
  - Füllen Sie nicht zu viel Kraftstoff in den Tank. Füllen Sie den Kraftstofftank nicht über die Unterkante des Tankstutzens auf, da sich der Kraftstoff ausdehnt.
  - Halten Sie den Kraftstoff von Funken, offenen Flammen, Zündflammen, Hitze oder anderen Zündquellen fern.
  - Untersuchen Sie die Kraftstoffleitungen, den Kraftstofftank, den Tankdeckel und die Verbindungen regelmäßig auf Sprünge oder Lecks. Tauschen Sie beschädigte Teile aus.
  - Sollte Kraftstoff auslaufen, warten Sie ab, bis dieser verdunstet ist, und lassen Sie erst dann den Motor an.
1. Reinigen Sie den Bereich um den Tankdeckel von Schmutz und Ablagerungen. Entfernen Sie den Tankdeckel.
  2. Befüllen Sie den Kraftstofftank (A, Abbildung 17) mit Kraftstoff. Füllen Sie den Kraftstoff nicht über die Unterkante des Tankstutzens (B) auf, denn der Kraftstoff wird sich ausdehnen.
  3. Setzen Sie den Tankdeckel wieder auf.

## Motor anlassen



### WARNUNG

**GIFTGASGEFAHR.** Motorabgase enthalten Kohlenmonoxid, ein giftiges Gas, das Sie innerhalb von Minuten töten kann. Auch wenn Sie keine Abgase riechen, können Sie trotzdem gefährlichem Kohlenmonoxid ausgesetzt sein. Wenn Sie sich während der Verwendung dieses Produkts übel, schwindlig oder schwach fühlen, gehen Sie SOFORT an die frische Luft. Suchen Sie einen Arzt auf. Sie könnten eine Kohlenmonoxidvergiftung haben.

- Kohlenmonoxid kann sich in Räumen ansammeln, in denen sich Menschen aufhalten. Betreiben Sie dieses Gerät NUR im Freien und abseits von Fenstern, Türen und Öffnungen, um das Risiko von Kohlenmonoxid zu senken.
- Installieren Sie batteriebetriebene Kohlenmonoxid-Warmmelder oder netzbetriebene Warmmelder mit Akku-Notstromversorgung entsprechend den Herstelleranweisungen. Rauchmelder reagieren nicht auf Kohlenmonoxid.
- Betreiben Sie dieses Gerät NICHT in Wohnungen, Garagen, Kellern, Zwischenräumen, Schuppen oder anderen geschlossenen Räumen, selbst wenn Sie Ventilatoren oder offene Fenster zur Belüftung verwenden. Nach dem Betrieb dieses Produkts kann sich Kohlenmonoxid schnell in diesen Räumen ansammeln und dort stundenlang verbleiben.
- Stellen Sie dieses Produkt IMMER in Windrichtung auf und richten Sie den Motorauspuff weg von Räumen, in denen sich Menschen aufhalten.



### WARNUNG

Der Kraftstoff und seine Dämpfe sind entzündlich und explosiv. Feuer oder Explosionen können Verbrennungen oder den Tod zur Folge haben.

#### Beim Anlassen des Motors

- Darauf achten, dass Zündkerze, Schalldämpfer, Tankdeckel und Luftfilter (je nach Ausstattung) korrekt montiert sind.
- Machen Sie den Motor ohne Zündkerze nicht an.
- Wenn der Motor geflutet ist, den Choke (falls vorhanden) in die Position OFFEN oder BETRIEB stellen. Stellen Sie den Gashebel (falls vorhanden) in die Position SCHNELL und drehen Sie den Motor durch, bis er startet.
- Besteht die Gefahr der Ausströmung von Erd- oder Flüssiggas, darf der Motor nicht angelassen werden.
- Verwenden Sie keine Starthilfe-Sprays, da deren Dämpfe leicht entzündlich sind.



### WARNUNG

Rotierende Teile können sich in Händen, Füßen, Haaren, Kleidung oder Schmuck verfangen, wodurch es zur Amputation von Gliedmaßen oder schweren Schnittwunden kommen kann.

- Betreiben Sie das Gerät mit korrekt angebrachten Schutzvorrichtungen.
- Hände und Füße von rotierenden Teilen fern halten.
- Entfernen Sie Schmuck und halten Sie lange Haare von allen rotierenden Teilen fern.
- Tragen Sie keine lockere Kleidung oder Kleidungsstücke, die sich verfangen könnten.



### WARNUNG

Wenn das Starterseil schnell zurückspringt, werden Hand und Arm schneller zum Motor gezogen, als das Seil losgelassen werden kann. Es kann zu Knochenbrüchen, Prellungen oder Verstauchungen kommen.

- Um beim Starten des Motors einen Rückschlag zu vermeiden, ziehen Sie langsam am Starterseil, bis der Widerstand spürbar wird, und ziehen Sie dann einmal schnell.
- Trennen oder entfernen Sie alle externen Geräte- und Motorlasten, bevor Sie den Motor starten.
- Stellen Sie sicher, dass mit dem Motor verbundene Gerätekomponenten, z. B. Schnittmesser, Impeller, Seilscheiben, Zahnräder usw., sicher befestigt sind.

**HINWEIS:** Ihr Gerät könnte über eine Fernsteuerung verfügen. Zu Position und Betätigung der Fernbedienung siehe die Geräteanleitung.

1. Überprüfen Sie den Ölstand des Motors. Siehe Abschnitt **Ölstand überprüfen**.
2. Darauf achten, dass die Bedienelemente für den Geräteantrieb (falls vorhanden) ausgerastet sind.
3. Den Drosselklappen-/TransportGuard®-Hebel (A, Abbildung 18), falls vorhanden, in die Position SCHNELL oder LAUF. Lassen Sie den Motor in der Position SCHNELL oder LAUF.
4. Den Chokeregler (B, Abbildung 18) in die Stellung GESCHLOSSEN bringen.

Die Verwendung des Chokes ist in der Regel beim Neustart eines warmen Motors nicht notwendig.

5. **Rücklaufstarter, falls vorhanden:** Den Griff des Starterkabels (C, Abbildung 18) festhalten. Langsam am Starterseilgriff ziehen, bis ein Widerstand zu spüren ist. Danach schnell ziehen.



### WARNUNG

Wenn das Starterseil schnell zurückspringt, werden Hand und Arm schneller zum Motor gezogen, als das Seil losgelassen werden kann. Es kann zu Knochenbrüchen, Prellungen oder Verstauchungen kommen.

- Um beim Starten des Motors einen Rückschlag zu vermeiden, ziehen Sie langsam am Starterseil, bis der Widerstand spürbar wird, und ziehen Sie dann einmal schnell.
  - Trennen oder entfernen Sie alle externen Geräte- und Motorlasten, bevor Sie den Motor starten.
  - Stellen Sie sicher, dass mit dem Motor verbundene Gerätekomponenten, z. B. Schnittmesser, Impeller, Seilscheiben, Zahnräder usw., sicher befestigt sind.
6. **Elektrostart, falls vorhanden:** Den Elektrostartschalter (D, Abbildung 18) in die Position START bringen.

### HINWEIS

Arbeiten Sie zur Verlängerung der Lebensdauer des Starters mit kurzen Startzyklen (höchstens fünf Sekunden). Warten Sie eine Minute zwischen den Start-Zyklen.

7. Wenn der Motor warmgelaufen ist, den Chokeregler (B, Abbildung 18) in die Position OFFEN bringen.

Wenn der Motor nach zwei oder drei Versuchen nicht anspringt, wenden Sie sich an Ihren Händler oder gehen Sie zu [vanguardpower.com](http://vanguardpower.com) oder rufen Sie 1-800-999-9333 an (in den USA).

## Stellen Sie den Motor AB



### WARNUNG

Der Kraftstoff und seine Dämpfe sind entzündlich und explosiv. Feuer oder Explosionen können Verbrennungen oder den Tod zur Folge haben.

- Zum Abstellen des Motors nicht den Choke des Vergasers (falls vorhanden) benutzen.

**Drosselklappe/TransportGuard®:** Die Drosselklappe/TransportGuard® (A, Abbildung 19) in die Position AUS oder STOPP bringen.

**HINWEIS:** Wenn sich die Drosselklappe/TransportGuard® (A, Abbildung 19) in der Position AUS oder STOPP befindet, ist das Kraftstoffventil in der Position AUS. Die Drosselklappe/TransportGuard® beim Transport immer in die Position AUS oder STOPP stellen.

**HINWEIS:** Der Schlüssel (D, Abbildung 19) stellt den Motor nicht ab. Der Schlüssel startet NUR den Motor. Den Schlüssel (D) immer abziehen und an einem sicheren Ort außerhalb der Reichweite von Kindern aufbewahren.

## Wartung

### Wartungsinformationen



### WARNUNG

Der Kraftstoff und seine Dämpfe sind entzündlich und explosiv. Feuer oder Explosionen können Verbrennungen oder den Tod zur Folge haben.

Falls das Gerät während der Wartung gekippt werden muss, stellen Sie sicher, dass der Kraftstofftank, falls er am Motor angebracht ist, leer ist und die Zündkerzenseite nach oben zeigt. Wenn der Kraftstofftank nicht leer ist, könnte Kraftstoff auslaufen und ein Feuer oder eine Explosion verursachen. Wenn der Motor in eine andere Richtung gekippt wird, wird er nicht leicht starten, da der Luftfilter oder die Zündkerze mit Öl oder Kraftstoff verunreinigt ist.



### WARNUNG

Unbeabsichtigte Motorfunken können einen elektrischen Schlag, einen Brand oder eine Explosion verursachen und zu Verwicklungen, traumatischen Amputationen oder Verletzungen führen.

#### Vor Anpassungen oder Reparaturen:

- Klemmen Sie alle Zündkerzenkabel ab und halten Sie sie von den Zündkerzen fern.
- Klemmen Sie das Batteriekabel vom Minuspol der Batterie ab (nur bei Motoren mit Elektrostart).
- Immer die richtigen Werkzeuge verwenden.

#### Bei der Prüfung auf eine Zündung:

- Einen zugelassenen Zündkerzenprüfer verwenden.
- Zündung nicht bei entfernter Zündkerze überprüfen.



### WARNUNG

Alle Komponenten, die für den Zusammenbau dieses Motors verwendet werden, müssen in der Ausgangsposition bleiben, damit der Motor richtig funktioniert. Es kann zu Schäden oder Verletzungen kommen, wenn Sie falsche Teile verwenden oder nicht alle Teile am Motor austauschen.

- Ersatzteile müssen den Erstteilen entsprechen und in derselben Position angebracht werden.
- Falls installiert, die Reglerfeder, Gestänge oder andere Teile nicht ändern, um die Motordrehzahl zu erhöhen.

#### HINWEIS

Für einen ordnungsgemäßen Betrieb müssen alle zum Bau dieses Motors verwendeten Komponenten an ihrem Platz bleiben.

Wenden Sie sich für alle Wartungs- und Instandhaltungsarbeiten am Motor und an den Motorteilen an eine Briggs & Stratton Vertragswerkstatt.

## Emissionskontrolle

**Kontaktieren Sie für Wartungs-, Austausch- oder Reparaturarbeiten an Geräten und Systemen zur Emissionskontrolle eine qualifizierte Werkstatt für Straßenfahrzeuge oder einen Servicetechniker.** Für einen kostenlosen Emissionskontrollservice müssen die Arbeiten jedoch von einem zugelassenen Vertragshändler durchgeführt werden. Siehe die Erklärungen zur Emissionskontrolle.

## Wartungsplan

Die ersten fünf Stunden

• Ölwechsel.
<b>8-Stunden-Intervall oder täglich</b>
• Den Motorölstand prüfen. • Den Bereich um den Schalldämpfer und die Bedienelemente reinigen. • Lufterlassgitter reinigen.
<b>100-Stunden-Intervall oder jährlich</b>
• Auspuffanlage warten. • Öl im Untersetzungsgetriebe wechseln (falls vorhanden).
<b>Intervalle von 200 Stunden oder jährlich.</b>
• Wechseln Sie das Motoröl. • Den Luftfilter reinigen. <sup>1</sup>
<b>Intervalle von 600 Stunden oder 3 Jahren.</b>
• Luftfilter austauschen.
<b>Jährlich</b>
• Zündkerze auswechseln. • Kraftstoffanlage warten. • Kühlsystem warten <sup>1</sup> . • Ventilspiel prüfen <sup>2</sup> .

<sup>1</sup>In staubigen Umgebungen oder wenn viele Partikel in der Luft sind, häufiger reinigen.

<sup>2</sup>Nicht erforderlich, es sei denn, es treten Motorprobleme auf.

## Vergaser und Motordrehzahl

Nehmen Sie keine Einstellungen am Vergaser, an der Reglerfeder, am Gestänge oder an anderen Teilen vor, um die Motordrehzahl einzustellen. Wenn Anpassungen erforderlich sind, wenden Sie sich für die Wartung an einen autorisierten Briggs & Stratton Service-Händler.

#### HINWEIS

Der Gerätehersteller gibt die Höchstdrehzahl für den am Gerät installierten Motor an. Diese Drehzahl nicht überschreiten. Falls Sie nicht sicher sind, wie hoch die maximale Drehzahl für das Gerät ist oder welche Motordrehzahl ab Werk eingestellt wurde, wenden Sie sich bitte an eine Briggs & Stratton-Vertragswerkstatt. Für sicheren und einwandfreien Betrieb des Geräts darf die Motordrehzahl nur von einem qualifizierten Servicetechniker eingestellt werden.

## Warten der Zündkerze

Den Elektrodenabstand (A, Abbildung 20) mit einer Drahtlehre (B) kontrollieren. Bei Bedarf den Zündkerzen-Elektrodenabstand einstellen. Die Zündkerze einsetzen und mit dem empfohlenen Anzugswert festziehen. Angaben zu Abstand und Drehmoment finden Sie im Abschnitt **Spezifikationen**.

## Wartung der Abgas- und Kühlsysteme



### WARNUNG

Während des Betriebs werden der Motor und Schalldämpfer heiß. Wenn Sie einen heißen Motor berühren, können Verbrennungen auftreten.

#### Brennbare Materialien, z. B. Blätter, Gras, Büsche, können in Brand geraten.

- Bevor Sie den Motor oder Schalldämpfer anfassen, stellen Sie den Motor ab und warten Sie zwei (2) Minuten. Stellen Sie sicher, dass Motor und Schalldämpfer gefahrlos berührt werden können.
- Entfernen Sie Rückstände von Schalldämpfer und Motor.

Wenn Sie den Motor in der Nähe von wald-, busch- oder grasbedeckten Flächen verwenden, verstoßen Sie gegen Abschnitt 4442 des Öffentlichen Vorschrift zur Verwendung von Rohstoffen von Kalifornien (California Public Resource Code), es sei denn, er ist, wie in Abschnitt 4442 beschrieben, mit einem Funkenfänger ausgestattet, dessen betriebsfähiger Zustand aufrechterhalten wird. In anderen Staaten oder föderalen Rechtsordnungen gelten möglicherweise ähnliche Gesetze; siehe Federal Regulation, 36 CFR, Teil 261.52. Einen passenden Funkenfänger für die an diesem Motor installierte Auspuffanlage finden Sie beim Gerätehersteller oder Händler.

Es handelt sich hierbei um einen luftgekühlten Motor. Schmutz oder unerwünschtes Material kann den Luftstrom behindern und dazu führen, dass der Motor zu heiß wird. Dies führt zu einer unzureichenden Leistung und verkürzt die Lebensdauer des Motors. In den Kühlrippen des Zylinders kann sich unerwünschtes Material ansammeln, das ohne eine teilweise Demontage des Motors nicht entfernt werden kann. Stellen Sie

sicher, dass eine Briggs & Stratton Vertragswerkstatt das Luftkühlsystem überprüft und reinigt. Siehe auch **Wartungsplan**.

1. Stellen Sie sicher, dass sich um und hinter dem Schalldämpfer keine brennbaren Materialien befinden.
2. Verwenden Sie eine Bürste oder ein trockenes Tuch, um alles unerwünschte Material von der Gebläsegehäuseabdeckung, dem Schalldämpfer und dem Zylinderbereich zu entfernen. Verwenden Sie KEIN Wasser zur Reinigung des Motors.
3. Stellen Sie sicher, dass das Gestänge, die Federn und die Bedienelemente sauber sind.
4. Den Schalldämpfer auf Risse, Korrosion oder andere Beschädigungen untersuchen.
5. Entfernen Sie das Ablenkblech oder den Funkenfänger, falls vorhanden, und untersuchen Sie es auf Beschädigungen oder Verstopfung durch Kohlenstoff. Stellen Sie sicher, dass Sie die Ersatzteile reinigen oder einbauen, bevor Sie das Gerät in Betrieb nehmen.
6. Stellen Sie sicher, dass die Ölkühlerlamellen sauber sind, falls installiert.

## Motoröl wechseln



**WARNUNG**  
Der Kraftstoff und seine Dämpfe sind entzündlich und explosiv. Feuer oder Explosionen können Verbrennungen oder den Tod zur Folge haben.

**Während des Betriebs werden der Motor und Schalldämpfer heiß. Wenn Sie einen heißen Motor berühren, können Verbrennungen auftreten.**

- Wenn Sie das Öl über das oben befindliche Ölfüllrohr ablassen, muss der Kraftstofftank leer sein. Wenn er nicht leer ist, könnte Kraftstoff auslaufen und ein Feuer oder eine Explosion verursachen.
- Bevor Sie den Motor oder Schalldämpfer anfassen, stellen Sie den Motor ab und warten Sie zwei (2) Minuten. Stellen Sie sicher, dass Motor und Schalldämpfer gefahrlos berührt werden können.

Altöl ist Sondermüll, der ordnungsgemäß entsorgt werden muss. Es gehört nicht in den Hausmüll. Fragen Sie bei Ihren örtlichen Behörden, Ihrem Dienstleistungsbetrieb oder Händler nach sicheren Entsorgungs-/Recyclingeinrichtungen.

Bei **Just Check & Add™**-Modellen ist kein Ölwechsel erforderlich. Ist ein Ölwechsel erforderlich, halten Sie sich an folgende Anweisungen.

### Ablassen von Öl

1. Ziehen Sie bei abgestelltem aber warmem Motor die Zündkerzenkabel (D, Abbildung 21) ab und halten Sie sie von der (den) Zündkerze(n) (E) fern.
2. Ziehen Sie den Ölmesstab (A, Abbildung 22) heraus.
3. Der Motor hat zwei Ölablassschrauben (H, F, Abbildung 23). Ölablassschrauben (H, F) entfernen. Lassen Sie das Öl in einen zugelassenen Behälter ab.
4. Setzen Sie die Ölablassschrauben ein und ziehen Sie sie fest (H, F, Abbildung 23).

### Füllen Sie Öl nach

- Darauf achten, dass der Motor waagrecht steht.
  - Reinigen Sie den Öleinfüllbereich von allem unerwünschten Material.
  - Zum Ölfassungsvermögen siehe Abschnitt **Spezifikationen**.
1. Ziehen Sie den Ölmesstab heraus. Siehe Abschnitt **Ablassen von Öl**.
  2. Füllen Sie langsam Öl in eine der Motoröleinfüllungen (C, G, Abbildung 24). Füllen Sie nicht zu viel Öl ein.
  3. Warten Sie eine Minute und prüfen Sie dann den Ölstand.
  4. Den Peilstab einsetzen.
  5. Ziehen Sie den Messstab heraus und kontrollieren Sie den Ölstand. Der richtige Ölstand befindet sich am oberen Ende der Vollanzeige am Messstab. Siehe Abschnitt **Ölstand überprüfen**.
  6. Den Ölmesstab wieder einsetzen und festziehen.
  7. Schließen Sie das (die) Zündkerzenkabel an die Zündkerze(n) an. Siehe Abschnitt **Öl entfernen**.

## Wechsel des Untersetzungsgetriebeöls

Einige Motoren sind mit einem Untersetzungsgetriebe ausgestattet. Ist dies der Fall, halten Sie sich an die für eines der folgenden Untersetzungsgetriebe geltenden Schritte.

### 2:1 Kettenuntersetzung

Ist der Motor mit einer 2:1 Kettenuntersetzung (G, Abbildung 25) ausgestattet, ist kein Ölwechsel erforderlich. Das Öl im Motor schmiert auch die Kettenuntersetzung.

### 2:1 Nasskupplungs-Untersetzung

Wenn der Motor mit einem 2:1-Nasskupplungsgetriebe ausgestattet ist, führen Sie die folgenden Schritte aus:

1. Ziehen Sie den Ölmesstab (A, Abbildung 26) heraus.
2. Die Ablassschraube (B, Abbildung 26) entfernen und das Öl in einen zugelassenen Behälter ablassen.
3. Die Ölablassschraube einsetzen und festziehen (B, Abbildung 26).
4. Öl langsam in die Öleinfüllung füllen (C, Abbildung 26). Siehe Abschnitt **Spezifikationen**.
5. Den Ölmesstab einsetzen (A, Abbildung 26).
6. Den Messstab (A, Abbildung 26) entfernen und Ölstand prüfen. Der korrekte Ölstand befindet sich oberhalb der Vollanzeige (D) am Messstab.
7. Den Ölmesstab einsetzen (A, Abbildung 26).

### 6:1 Untersetzungsgetriebe

Führen Sie folgende Schritte aus, wenn der Motor mit einem 6:1 Untersetzungsgetriebe ausgestattet ist:

1. Die Öleinfüllschraube (A, Abbildung 27) und die Ölstandsschraube (B) entfernen.
2. Die Ölablassschraube (C, Abbildung 27) abnehmen und das Öl in einen hierfür zugelassenen Behälter ablassen.
3. Die Ölablassschraube (C, Abbildung 27) einsetzen und festziehen.
4. Langsam Untersetzungsgetriebeöl (80W-90) in die Öleinfüllöffnung (D, Abbildung 27) füllen. Untersetzungsgetriebeöl (80W-90) einfüllen, bis das Öl aus der Ölstandsöffnung (E) tritt.
5. Die Ölstandsschraube (B, Abbildung 27) einsetzen und festziehen.
6. Die Öleinfüllschraube (A, Abbildung 27) einsetzen und festziehen.

**HINWEIS:** Die Öleinfüllschraube (A, Abbildung 27) hat eine Entlüftungsöffnung (F) und muss wie abgebildet oben auf der Getriebeabdeckung angebracht werden.

## Warten des Luftfilters



**WARNUNG**  
Kraftstoffdämpfe sind entzündlich und explosiv. Feuer oder Explosionen können Verbrennungen oder den Tod zur Folge haben.

- Niemals den Motor mit abgenommener Luftfilter-Baugruppe (falls vorhanden) oder Filtereinsatz (falls vorhanden) starten oder betreiben.

### HINWEIS

Verwenden Sie zur Reinigung des Filters keine Druckluft und keine Lösungsmittel. Druckluft könnte den Filter beschädigen, und Lösungsmittel zersetzen ihn.

Siehe **Wartungsplan** für Wartungsanforderungen.

Verschiedene Modelle verwenden entweder einen Schaumstoff- oder einen Papierfilter. Einige Modelle können auch einen optionalen Vorreiniger haben, der gereinigt und wieder verwendet werden kann. Vergleichen Sie die Abbildung in dieser Anleitung mit dem an Ihrem Motor installierten Filtertyp und gehen Sie bei der Wartung folgendermaßen vor.

### Papier-Luftfilter

1. Das bzw. die Befestigungselement(e) (C, Abbildung 28) lösen.
2. Die Abdeckung (A, Abbildung 28) ab- und den Filter (B) herausnehmen.
3. Klopfen Sie mit dem Filter (B, Abbildung 28) leicht gegen eine harte Oberfläche, um Ablagerungen zu entfernen. Den Filter durch einen neuen ersetzen, falls er schmutzig ist.
4. Den Filter (B, Abbildung 28) einbauen.
5. Die Abdeckung (A, Abbildung 28) mit dem bzw. den Befestigungselement(en) (C) anbringen. Darauf achten, dass das bzw. die Befestigungselement(e) fest sitzt bzw. sitzen.

### Papier-Luftfilter – Flach

1. Verschlusshebel bewegen (A, Abbildung 29), um die Abdeckung (C) zu entriegeln.
2. Laschen nach innen drücken (B, Abbildung 29) und Abdeckung entfernen (C).
3. Filter herausnehmen (D, Abbildung 29).
4. Mit dem Filter (D, Abbildung 29) leicht gegen eine harte Oberfläche klopfen, um Ablagerungen zu entfernen. Den Filter durch einen neuen ersetzen, falls er schmutzig ist.
5. Filter anbringen (D, Abbildung 29).
6. Abdeckung anbringen (C, Abbildung 29). Verschlusshebel (A) in geschlossene Position bringen.

**HINWEIS:** Sitz der Schaumstoffdichtung überprüfen (E, Abbildung 29). Sicherstellen, dass die Schaumstoffdichtung richtig im Kanal (F) sitzt.

## Warten der Kraftstoffanlage



**WARNUNG**  
Der Kraftstoff und seine Dämpfe sind entzündlich und explosiv. Feuer oder Explosionen können Verbrennungen oder den Tod zur Folge haben.

- Halten Sie den Kraftstoff von Funken, offenen Flammen, Zündflammen, Hitze oder anderen Zündquellen fern.
- Untersuchen Sie die Kraftstoffleitungen, den Kraftstofftank, den Tankdeckel und die Verbindungen regelmäßig auf Sprünge oder Lecks. Tauschen Sie beschädigte Teile aus.
- Sollte Kraftstoff auslaufen, warten Sie ab, bis dieser verdunstet ist, und lassen Sie erst dann den Motor an.

### Kraftstoffsieb, falls vorhanden

1. Den Tankdeckel (A, Abbildung 30) abnehmen.
2. Das Kraftstoffsieb (B, Abbildung 30) herausnehmen.
3. Wenn das Kraftstoffsieb schmutzig ist, muss es gereinigt oder ausgetauscht werden. Wenn das Kraftstoffsieb ausgetauscht wird, ist darauf zu achten, dass ein Original-Gerätersatzsieb verwendet wird.

## Aufbewahrung Kraftstoffanlage

Siehe hierzu Abbildung 31.



**WARNUNG**  
Der Kraftstoff und seine Dämpfe sind entzündlich und explosiv. Feuer oder Explosionen können Verbrennungen oder den Tod zur Folge haben.

### Aufbewahrung von Kraftstoff

- Da Zündflammen oder andere Zündquellen Explosionen verursachen können, dürfen Kraftstoff oder das Gerät niemals in der Nähe von Öfen, Herden, Warmwasserbereitern oder ähnlichen Geräten mit Dauerflammen abgestellt werden.

Stellen Sie den Motor in horizontaler Position ab (normale Betriebsposition). Befüllen Sie den Kraftstofftank (A, Abbildung 31) mit Kraftstoff. Füllen Sie den Kraftstoff nicht über den Kraftstofftankstützen (B) hinaus auf, damit sich das Benzin ausdehnen kann.

Wenn Kraftstoff für mehr als 30 Tage in einem Lagerbehälter aufbewahrt wird, kann er unbrauchbar werden. Der Einsatz eines alkoholfreien Kraftstoffstabilisators und eine Behandlung des Kraftstofflagerbehälters mit Ethanol wird empfohlen, um eine Beeinträchtigung des Kraftstoffs zu verhindern und den Kraftstoff frisch zu halten.

Geben Sie beim Befüllen des Kraftstoffbehälters mit Kraftstoff einen gemäß Herstellerangaben vorgegebenen alkoholfreien Kraftstoffstabilisator hinzu. Falls der Kraftstoff im Motor nicht mit einem Kraftstoffstabilisator behandelt wurde, muss er in einen hierfür zugelassenen Behälter abgelassen werden. Lassen Sie den Motor so lange laufen, bis der Kraftstoff aufgebraucht ist.

## Motoröl

Bei noch warmem Motor das Motoröl wechseln. Siehe hierzu Abschnitt **Motoröl wechseln**.

## Fehlersuche und -behebung Unterstützung

Wenden Sie sich an Ihren Händler vor Ort oder besuchen Sie die Website **BRIGGSandSTRATTON.COM** oder rufen Sie an unter **1-800-444-7774** (nur in USA).

## Spezifikationen und Ersatzteile

Technische Daten	Modell: 10V000	Modell: 12V000
Hubraum	10.313 ci (169 ccm)	12.387 ci (203 ccm)
Bohrung	2.44 Zoll (62 mm)	2.677 Zoll (68 mm)
Hub	2.204 Zoll (56 mm)	2.204 Zoll (56 mm)
Ölfassungsvermögen	18 - 20 Unzen (,54 - ,59 l)	18 - 20 Unzen (,54 - ,59 l)
2:1 Nasskupplungsuntersetzung Öltyp	10W-30	10W-30
2:1 Nasskupplungsuntersetzung Ölfassungsvermögen	10 Unzen (,30 l)	10 Unzen (,30 l)

Technische Daten	Modell: 10V000	Modell: 12V000
6:1 Getriebeuntersetzung Öltyp	80W-90	80W-90
6:1 Getriebeuntersetzung Ölfassungsvermögen	4 Unzen (12 l)	4 Unzen (12 l)
Zündkerzenabstand	.030 Zoll (,76 mm)	.030 Zoll (,76 mm)
Zündkerzen-Anzugswert	180 Pfund-Zoll (20 Nm)	180 Pfund-Zoll (20 Nm)
Anker-Luftspalt	.010 - .013 Zoll (,25 - ,35 mm)	.010 - .013 Zoll (,25 - ,35 mm)
Einlassventilspiel	.004 - .006 Zoll (,10 - ,15 mm)	.004 - .006 Zoll (,10 - ,15 mm)
Auslassventilspiel	.005 - .007 Zoll (,15 - ,20 mm)	.005 - .007 Zoll (,15 - ,20 mm)

Technische Daten	Modell: 25V000
Hubraum	24.898 ci (408 ccm)
Bohrung	3.465 Zoll (88 mm)
Hub	2.638 Zoll (67 mm)
Kabelbefestigungshalterungsschraube	30 Pfund-Zoll (3,4 Nm)
Drahthalteschraube	25 Pfund-Zoll (2,8 Nm)
Ölfassungsvermögen	28 - 32 Unzen (,83 - ,95 l)
Zündkerzenabstand	.030 in (,76 mm)
Zündkerzen-Anzugswert	180 Pfund-Zoll (20 Nm)
Anker-Luftspalt	.010 - .013 Zoll (,25 - ,35 mm)
Einlassventilspiel	.004 - .006 Zoll (,10 - ,15 mm)
Auslassventilspiel	.005 - .007 Zoll (,15 - ,20 mm)

Die Motorleistung nimmt alle 1.000 Fuß (300 Meter) über Meeresebene um jeweils 3,5 % und alle 10 °F (5,6 °C) oberhalb von 77 °F (25 °C) um jeweils 1 % ab. Der Motor läuft zufriedenstellend bei einem Winkel bis zu 30°. Angaben zum sicheren Betrieb an Hängen finden Sie in der Bedienungsanleitung des vom Motor angetriebenen Geräts.

### Ersatzteile

Wenn Sie Ersatzteile von Briggs & Stratton kaufen möchten, finden Sie eine Vertragswerkstatt unter **BRIGGSandSTRATTON.COM**. Sie benötigen Ihre Identifikationsnummer (Modell, Typ, Ausstattung). Die Motorkennnummer finden Sie im Abschnitt **Funktionen und Bedienungselemente**.

## Nennleistungen

Die Bruttonennleistung für die einzelnen Modelle mit gasbetriebenem Motor wird in Übereinstimmung mit SAE-Code (Society of Automotive Engineers) J1940 (Small Engine Power & Torque Rating Procedure) angegeben und gemäß SAE J1995 bewertet. Die Drehmomentwerte wurden für die Motoren, die auf dem Etikett mit „rpm“ (U/min) versehen sind, bei 2600 U/min. und für alle anderen bei 3060 U/min. ermittelt, die PS-Werte bei 3600 U/min. Die Leistungskennlinien können unter **www.BRIGGSandSTRATTON.COM** angesehen werden. Die Nettoleistungswerte wurden mit montiertem Auspuff und Luftreiniger gemessen, während die Bruttoleistungswerte ohne diese Anbauten ermittelt wurden. Die tatsächliche Bruttomotorleistung ist höher als die Nutzleistung des Motors und wird u.a. durch die Betriebsbedingungen und Abweichungen von Motor zu Motor bestimmt. In Anbetracht der breiten Vielfalt an Produkten, in die Motoren eingebaut werden, kann es sein, dass der Motor nicht die bewertete Bruttoleistung entwickelt, wenn er in einem bestimmten motorgetriebenen Gerät verwendet wird. Dieser Unterschied lässt sich auf eine Vielfalt von Faktoren zurückführen, einschließlich u.a. Vielfalt der Motorkomponenten (Luftreiniger, Auspuff, Ladung, Kühlung, Vergaser, Kraftstoffpumpe etc.), Einschränkungen bezüglich der Anwendung, Betriebsbedingungen (Temperatur, Luftfeuchtigkeit, Einsatzhöhe) und Abweichungen von Motor zu Motor. Auf Grund von Herstellungs- und Kapazitätsbegrenzungen kann Briggs & Stratton einen Motor dieser Serie durch einen Motor mit einer höheren Leistung ersetzen.

## Garantie

### Briggs & Stratton® Motorgarantie

Gültig ab März 2023

#### Beschränkte Garantie

Briggs & Stratton garantiert, dass während des unten angegebenen Garantiezeitraums jedes Teil, das Material- oder Verarbeitungsfehler oder beides aufweist, kostenlos repariert oder durch ein neues, überholtes oder nachgefertigtes Teil nach Erlassen von Briggs & Stratton ersetzt wird. Die beim Einschicken des Produkts zwecks Reparatur oder Austausch gemäß dieser Garantie entstehenden Transportkosten

sind vom Käufer zu tragen. Diese Garantie ist für die Zeiträume und unter den unten genannten Bedingungen wirksam. Hinsichtlich Garantieleistungen finden Sie die nächstgelegene Vertragswerkstatt auf unserer Händlersuchkarte unter BRIGGSandSTRATTON.COM. Der Käufer muss den Vertragshändler kontaktieren und diesem das Produkt für die Prüfungen und Tests zur Verfügung stellen.

**Es besteht keine andere ausdrückliche Garantie. Stillschweigende Garantien, einschließlich derer der Marktgängigkeit und der Eignung für einen bestimmten Zweck, sind auf ein Jahr ab Kauf oder auf den gesetzlich zulässigen Umfang beschränkt. Alle anderen stillschweigenden Garantien sind ausgeschlossen. Die Haftung für beiläufig entstandene Schäden oder Folgeschäden ist ausgeschlossen, soweit der Ausschluss gesetzlich zulässig ist.** In einigen Staaten ist die Dauer der implizierten Garantie bzw. die Ausnahme oder Beschränkung von Folge- oder Begleitschäden nicht zulässig, daher könnte die oben genannte Beschränkung oder Ausnahme eventuell nicht auf Sie zutreffen. Diese Garantieleistung verleiht Ihnen bestimmte Rechte neben denen Sie noch andere Rechte haben können, die von Land zu Land abweichen.

<b>Standard-Garantiefristen<sup>1, 2</sup></b>
<b>Vanguard®; CXi Series</b>
Private Verwendung – 36 Monate
Gewerbliche Verwendung – 36 Monate
<b>XR Series</b>
Private Verwendung – 24 Monate
Gewerbliche Verwendung – 24 Monate
<b>Alle anderen Motoren mit Dura-Bore™-Gusseisenlaufbuchse</b>
Private Verwendung – 24 Monate
Gewerbliche Verwendung – 12 Monate
<b>Alle anderen Motoren</b>
Private Verwendung – 24 Monate
Gewerbliche Verwendung – 3 Monate

<sup>1</sup> Dies sind unsere Standard-Garantiebedingungen, aber gelegentlich kann es zusätzliche Garantieleistungen geben, die zum Zeitpunkt der Veröffentlichung noch nicht festgelegt waren. Eine Auflistung der aktuellen Garantiebedingungen für Ihren Motor finden Sie unter BRIGGSandSTRATTON.COM oder wenden Sie sich an Ihren autorisierten Briggs & Stratton Service-Händler.

<sup>2</sup> Es besteht keine Garantie für Motoren von Geräten, die anstelle eines Stromversorgers für die Hauptstromversorgung verwendet werden, für Standby-Generatoren, die für gewerbliche Zwecke eingesetzt werden, für Nutzfahrzeuge mit einer Geschwindigkeit von mehr als 25 MPH oder für Motoren, die im Rennsport oder auf gewerblichen oder Mietstrecken eingesetzt werden.

Die Garantiezeit beginnt mit dem Datum des Kaufs durch den ersten Endverbraucher oder gewerblichen Endnutzer und gilt für den in der obigen Tabelle angegebenen Zeitraum. „Endverbraucher-Nutzung“ bedeutet die private Verwendung im eigenen Haushalt durch einen Einzelhandelskunden. „Gewerbliche Verwendung“ bedeutet alle anderen Verwendungszwecke, einschließlich gewerblicher Zwecke, Zwecke zum Erzielen eines Einkommens oder für Maschinenverleih. Sobald ein Motor einmal gewerblich eingesetzt worden ist, wird er für die Zwecke dieser Gewährleistung auch weiterhin als Motor für den gewerblichen Einsatz angesehen.

**Für den Erhalt der Garantie auf Briggs & Stratton-Produkte ist keine Garantierregistrierung erforderlich. Bewahren Sie Ihren Kaufbeleg auf. Wenn Sie zum Zeitpunkt der Beantragung der Garantieleistung keinen Nachweis über das Datum des Erstkafes erbringen, wird das Herstellungsdatum des Produkts zur Bestimmung der Garantiezeit herangezogen.**

#### Zur Garantie

Diese Garantie deckt nur Material- und/oder Verarbeitungsschäden am Motor ab und nicht den Austausch oder die Rückerstattung für das Gerät, an dem der Motor installiert ist. Routinemäßige Wartungsarbeiten, Einstellungen oder normale Abnutzung sind nicht Gegenstand dieser Garantie. Die Garantie erlischt, wenn der Motor modifiziert oder die Seriennummer des Motors beschädigt oder entfernt wurde. Die Garantie deckt keine Motorschäden oder Leistungsprobleme ab, die durch Folgendes hervorgerufen werden:

1. Die Verwendung von Teilen, die keine Briggs & Stratton-Originalteile sind;
2. Den Betrieb von Motoren mit zu wenig oder verschmutztem Öl oder einer falschen Schmierölsorte;
3. Die Verwendung von verunreinigtem oder altem Kraftstoff, von Benzin mit einem Ethanolanteil von mehr als 10 % oder von alternativen Kraftstoffen wie Flüssiggas oder Erdgas in Motoren, die nicht ursprünglich von Briggs & Stratton für den Betrieb mit solchen Kraftstoffen entwickelt/hergestellt sind;
4. Schmutz, der durch unsachgemäße Wartung oder Wiedermontage des Luftfilters in den Motor gelangt ist;
5. Auftreffen eines Kreiselmäher-Schnittmessers auf einen harten Gegenstand, lose oder unsachgemäß installierte Messeradapter, Impeller oder andere, an die Kurbelwelle angekuppelte Vorrichtungen oder zu hohe Keilriemenspannung;

6. Dazugehörige Teile oder Baugruppen wie Kupplungen, Getriebe, Geräte Bedienelemente usw., die nicht von Briggs & Stratton stammen;
7. Überhitzung infolge der Blockierung der Kühlrippen oder des Schwungradbereichs durch geschnittenes Gras, Schmutz, Fremdkörper oder Nagetiernester oder durch den Betrieb des Motors bei ungenügender Belüftung;
8. Zu starke Vibration durch Überdrehen, lose Motormontage, lose oder ungleichmäßige Schnittmesser oder Impeller oder ein unsachgemäßes Ankuppeln von Gerätekomponenten an die Kurbelwelle;
9. Missbrauch, Mängel bei der Routine-Wartung, dem Transport, der Handhabung oder der Lagerung des Geräts oder unsachgemäße Motorinstallation.

Der Garantieservice ist nur über Vertragswerkstätten von Briggs & Stratton erhältlich. Finden Sie die nächstgelegene Vertragswerkstatt auf unserer Händlersuchkarte unter BRIGGSandSTRATTON.COM oder indem Sie die Telefonnummer 1-800-444-7774 anrufen (nur in USA).

80114782 (Überarbeitung B)

## Briggs & Stratton Emissions Warranty

### Garantieabdeckung des Herstellers:

Für das Abgasbegrenzungssystem Ihres Motors gilt eine Garantie von zwei Jahren. Sollte ein emissionsrelevantes Teil an Ihrem Motor defekt sein, wird es von B&S repariert oder ersetzt.

### Verantwortlichkeiten des Besitzers im Rahmen der Garantie:

- Als Motoreigentümer sind Sie für die Durchführung der in Ihrem Benutzerhandbuch aufgeführten erforderlichen Wartungsarbeiten verantwortlich. B&S empfiehlt Ihnen, alle Quittungen für die Wartung Ihres Motors aufzubewahren, aber B&S kann die Garantieabdeckung nicht allein aufgrund fehlender Quittungen oder weil Sie es versäumt haben, die Durchführung aller geplanten Wartungsarbeiten sicherzustellen, verweigern.
- Als Motorbesitzer sollten Sie sich jedoch bewusst sein, dass B&S Ihnen die Garantie verweigern kann, wenn Ihr Motor oder ein Teil aufgrund von Missbrauch, Vernachlässigung, unsachgemäßer Wartung oder nicht genehmigten Modifikationen ausgefallen ist.
- Sie sind dafür verantwortlich, Ihren Motor einem B&S-Vertriebszentrum oder einem Service-Center vorzustellen, sobald das Problem auftritt. Die Garantiereparaturen müssen in einer angemessenen Zeitspanne, die 30 Tage nicht überschreiten darf, abgeschlossen werden. Falls Sie Fragen zu Ihren Garantierechten und -pflichten haben, wenden Sie sich bitte an B&S unter 1-800-444-7774 (in den USA) oder auf BRIGGSandSTRATTON.COM.

80130178 Revision A

## Γενικές πληροφορίες



Το παρόν εγχειρίδιο περιέχει τις πληροφορίες ασφαλείας σχετικά με τους κινδύνους και το ρίσκο που σχετίζονται με τον κινητήρα και τον τρόπο αποφυγής τους. Περιλαμβάνει επίσης τη σωστή λειτουργία και συντήρηση αυτού του κινητήρα. Είναι σημαντικό να διαβάσετε, να κατανοήσετε και να ακολουθείτε αυτές τις οδηγίες. **Φυλάξτε το παρόν εγχειρίδιο για μελλοντική αναφορά.**

**ΣΗΜΕΙΩΣΗ:** Τα σχήματα και οι εικόνες στο παρόν εγχειρίδιο παρέχονται μόνο για λόγους ενημέρωσης και μπορεί να διαφέρουν από το δικό σας μοντέλο. Χρησιμοποιήστε τις εικόνες που συμφωνούν με τη διαμόρφωση του κινητήρα σας. Εάν είναι απαραίτητο, απευθυνθείτε σε Εξουσιοδοτημένο αντιπρόσωπο σέρβις.

Καταγράψτε την ημερομηνία αγοράς, το μοντέλο του κινητήρα, τον τύπο, το επίπεδο εξοπλισμού και τον σειριακό αριθμό του κινητήρα για ανταλλακτικά. Οι αριθμοί αυτοί βρίσκονται στον κινητήρα σας. Ανατρέξτε στην ενότητα **Χαρακτηριστικά και χειριστήρια**.

Ημερομηνία αγοράς	
Μοντέλο κινητήρα - Τύπος - Κωδικός	
Σειριακός αριθμός κινητήρα	

## Στοιχεία επικοινωνίας ευρωπαϊκού γραφείου

Για ερωτήσεις σχετικά με τις εκπομπές καυσαερίων στην Ευρώπη, επικοινωνήστε με το ευρωπαϊκό μας γραφείο στο:

Max-Born-Straße 2, 68519 Viernheim, Γερμανία.

## Ευρωπαϊκή Ένωση (ΕΕ) φάσης V (5): Τιμές διοξειδίου του άνθρακα (CO2)

Εισάγετε CO2 στο παράθυρο αναζήτησης στο BriggsandStratton.com για να βρείτε τις τιμές διοξειδίου του άνθρακα των κινητήρων της Briggs & Stratton που διαθέτουν Πιστοποιητικό Έγκρισης Τύπου ΕΕ.

## Ασφάλεια χειριστή

### Σύμβολο συναγερμικής ειδοποίησης για θέματα ασφαλείας και προειδοποιητικές λέξεις



Το σύμβολο ειδοποίησης ασφαλείας προσδιορίζει πληροφορίες ασφαλείας σχετικά με τους κινδύνους που ενδέχεται να προκαλέσουν προσωπικό τραυματισμό. Μια προειδοποιητική λέξη (**ΚΙΝΔΥΝΟΣ**, **ΠΡΟΕΙΔΟΠΟΙΗΣΗ** ή **ΠΡΟΣΟΧΗ**) χρησιμοποιείται για να υποδείξει την πιθανότητα και την ενδεχόμενη σοβαρότητα τραυματισμού. Επιπλέον, χρησιμοποιείται ένα σύμβολο κινδύνου που υποδεικνύει τον τύπο του κινδύνου.

Η ένδειξη **ΚΙΝΔΥΝΟΣ** δηλώνει κίνδυνο ο οποίος, εάν δεν αποφευχθεί, **θα** προκαλέσει θάνατο ή σοβαρό τραυματισμό.

Η ένδειξη **ΠΡΟΕΙΔΟΠΟΙΗΣΗ** δηλώνει κίνδυνο ο οποίος, εάν δεν αποφευχθεί, **θα μπορούσε** να προκαλέσει θάνατο ή σοβαρό τραυματισμό.

Η ένδειξη **ΠΡΟΣΟΧΗ** δηλώνει κίνδυνο ο οποίος, εάν δεν αποφευχθεί, **θα μπορούσε** να προκαλέσει τραυματισμό μικρού ή μεσαίου βαθμού.

Η ένδειξη **ΕΠΙΣΗΜΑΝΣΗ** υποδεικνύει πληροφορίες που θεωρούνται σημαντικές αλλά δεν αφορούν σε κινδύνους.

## Σύμβολα κινδύνου και τι σημαίνουν

Προειδοποίηση ασφαλείας για κινδύνους που ενδέχεται να οδηγήσουν σε τραυματισμό.	Πριν θέσετε σε λειτουργία τη μονάδα ή εκτελέσετε εργασίες συντήρησης, πρέπει να διαβάσετε και να εμπεδώσετε το εγχειρίδιο χειριστή.
Κίνδυνος πυρκαγιάς	Κίνδυνος έκρηξης
Κίνδυνος ηλεκτροπληξίας	Κίνδυνος λόγω τοξικών αερίων

Κίνδυνος από καυτή επιφάνεια	Κίνδυνος ανάδρασης
Κίνδυνος ακρωτηριασμού - Κινούμενα εξαρτήματα	Στάθμη καυσίμου - Μέγιστη Μη γεμίζετε υπερβολικά

## Μηνύματα για θέματα ασφαλείας



### ΠΡΟΕΙΔΟΠΟΙΗΣΗ

Οι κινητήρες της Briggs & Stratton® δεν έχουν σχεδιαστεί και δεν προορίζονται για να δίνουν ισχύ σε: αυτοκίνητα αναψυχής (fun-kart, go-kart), παιδικά αυτοκίνητα, οχήματα αναψυχής, πολυμορφικά οχήματα ή οχήματα παντός εδάφους (ATV), μοτοσικλές, αερόστρωμα οχήματα (χόβερκραφτ), αεροσκάφη ή αγωνιστικά οχήματα μη επιτρεπόμενα από την Briggs & Stratton. Για πληροφορίες σχετικά με τα αγωνιστικά προϊόντα, επισκεφθείτε τη σελίδα [www.briggsracing.com](http://www.briggsracing.com). Για πολυμορφικά οχήματα και οχήματα παντός εδάφους και εκτός δρόμου, καλέστε το Κέντρο εφαρμογών ισχύος της Briggs & Stratton στον αριθμό 1-866-927-3349. Η εσφαλμένη χρήση του κινητήρα μπορεί να οδηγήσει σε σοβαρό τραυματισμό ή θάνατο.

## Πληροφορίες για την ανακύκλωση



Ανακυκλώστε όλα τα χαρτοκιβώτια, τα κουτιά, το μεταχειρισμένο λάδι και τις μπαταρίες όπως ορίζεται από τους κρατικούς κανονισμούς.

## Χαρακτηριστικά και χειριστήρια Χειριστήρια κινητήρα

Συγκρίνετε τις ετικέτες στις Εικόνες 1, 2 και 3 με τα χειριστήρια κινητήρα στον κατάλογο που ακολουθεί:

- A. Αριθμοί αναγνώρισης κινητήρα **Μοντέλο - Τύπος - Κωδικός**
- B. Μπουζί
- C. Ντεπόζιτο καυσίμου και πώμα
- D. Φίλτρο αέρα
- E. Λαβή σχοινιού εκκίνησης
- F. Δείκτης στάθμης λαδιού
- G. Οπή πλήρωσης λαδιού
- H. Πώμα αποστράγγισης λαδιού
- I. Σιγαστήρας, Προστατευτικό σιγαστήρα (εάν υπάρχει), Πλέγμα προφύλαξης από σπινθήρες (εάν υπάρχει)
- J. Χειριστήριο Γκαζιού / Διακοπή Παροχής Καυσίμου / TransportGuard™
- K. Έλεγχος τσοκ
- L. Σχάρα αναρρόφησης αέρα
- M. Διακόπτης ηλεκτρικής εκκίνησης, (εάν υπάρχει)
- N. Μονάδα μειωτήρα (εάν υπάρχει)

Ορισμένοι κινητήρες και εξοπλισμοί διαθέτουν τηλεχειρισμό. Για τη θέση και τη λειτουργία του τηλεχειρισμού ανατρέξτε στο εγχειρίδιο του εξοπλισμού.

## Σύμβολα ελέγχου του κινητήρα και τι σημαίνουν

Ταχύτητα κινητήρα - ΓΡΗΓΟΡΑ	Ταχύτητα κινητήρα - ΑΡΓΑ
Ταχύτητα κινητήρα - ΔΙΑΚΟΠΗ	ΕΝΕΡΓΟΠΟΙΗΣΗ - ΑΠΕΝΕΡΓΟΠΟΙΗΣΗ
Εκκίνηση κινητήρα Τσοκ ΚΛΕΙΣΤΟ	Εκκίνηση κινητήρα Τσοκ ΑΝΟΙΧΤΟ





Πώμα δεξαμενής καυσίμου  
Επιλογέας διακοπής  
παροχής καυσίμου  
ΑΝΟΙΧΤΟΣ



Επιλογέας διακοπής  
παροχής καυσίμου  
ΚΛΕΙΣΤΟΣ

## Συναρμολόγηση

### Μετατροπή μοχλού γκαζιού

Ο τυπικός κινητήρας έχει χειροκίνητο μοχλό γκαζιού. Για να χειριστείτε το χειροκίνητο χειριστήριο γκαζιού, εγκαταστήστε ένα τηλεχειριστήριο γκαζιού ή μετατρέψτε σε σταθερή ταχύτητα. Ανατρέξτε στις οδηγίες που ακολουθούν.

**ΣΗΜΕΙΩΣΗ:** Η ταχύτητα του κινητήρα πρέπει να είναι σωστή, όπως καθορίζεται από τις προδιαγραφές απόδοσης του κατασκευαστή του εξοπλισμού. Αποταθείτε σε εξουσιοδοτημένο συνεργείο συντήρησης της Briggs & Stratton για βοήθεια.

### Χειροκίνητο Χειριστήριο Γκαζιού

1. Μετακινήστε τον μοχλό του χειριστηρίου γκαζιού / TransportGuard® (Α, Εικόνα 4) στη θέση ΑΠΕΝΕΡΓΟΠΟΙΗΣΗ.
2. Αφαιρέστε το ελατήριο (S, Εικόνα 4).

### Τηλεχειριστήριο γκαζιού με πλεκτό συρμάτινο καλώδιο

Ένα τηλεχειριστήριο γκαζιού με πλεκτό συρμάτινο καλώδιο μπορεί να εγκατασταθεί σε μία από τις δύο κατεύθυνσεις: **Κατεύθυνση κυλινδρικής κεφαλής ή Μπροστινή κατεύθυνση.**

#### Κατεύθυνση κυλινδρικής κεφαλής

1. Μετακινήστε τον μοχλό του χειριστηρίου γκαζιού / TransportGuard™ (Α, Εικόνα 5) στη θέση ΑΠΕΝΕΡΓΟΠΟΙΗΣΗ.
2. Χρησιμοποιήστε ένα γαλλικό κλειδί 10 mm και χαλαρώστε το παξιμάδι (Ρ, Εικόνα 5) κατά ½ στροφής στον μοχλό χειριστηρίου γκαζιού / TransportGuard® (Α).
3. Κρατήστε το παξιμάδι στερέωσης καλωδίου (J, Εικόνα 6) με γαλλικό κλειδί 10 mm και χαλαρώστε τη βίδα (I).
4. Εγκαταστήστε το συρμάτινο καλώδιο (L, Εικόνα 6) μέσα από την οπή στο παξιμάδι στερέωσης καλωδίου (J) και σφίξτε τη βίδα (K). Βεβαιωθείτε ότι το συρμάτινο καλώδιο (L) δεν επεκτείνεται περισσότερο από ½ ίντσα (12,7 mm) μετά την οπή.
5. Χαλαρώστε τη βίδα (I, Εικόνα 6). Ασφαλίστε το χιτώνιο του καλωδίου (N) κάτω από τον σφιγκτήρα καλωδίου (M) και σφίξτε τη βίδα (I).
6. Ελέγξτε τη λειτουργία του τηλεχειριστηρίου γκαζιού. Κινήστε το τηλεχειριστήριο γκαζιού από το χαμηλό στο γρήγορο 2-3 φορές. Βεβαιωθείτε ότι το τηλεχειριστήριο γκαζιού και το συρμάτινο καλώδιο (L, Εικόνα 6) κινούνται ελεύθερα. Ρυθμίστε το παξιμάδι (Ρ, Εικόνα 7) όπως απαιτείται για την καθορισμένη θέση.

#### Μπροστινή κατεύθυνση

1. Ρυθμίστε το χειριστήριο γκαζιού / τον μοχλό TransportGuard™ :
  - a. **Για τα μοντέλα κινητήρα 10V000 και 12V000:** Μετακινήστε τον μοχλό του χειριστηρίου γκαζιού / TransportGuard® (Α, Εικόνα 8) στη θέση ΓΡΗΓΟΡΑ.
  - b. **Για τα μοντέλα κινητήρα 25V000:** Μετακινήστε τον μοχλό του χειριστηρίου γκαζιού / TransportGuard™ (Α, Εικόνα 8) στη θέση ΑΠΕΝΕΡΓΟΠΟΙΗΣΗ.
2. Χρησιμοποιήστε ένα γαλλικό κλειδί 10 mm και χαλαρώστε το παξιμάδι (Ρ, Εικόνα 7) κατά ½ στροφής στον μοχλό χειριστηρίου γκαζιού / TransportGuard® (Α).
3. Κρατήστε το παξιμάδι στερέωσης καλωδίου (J, Εικόνα 8) με γαλλικό κλειδί 10 mm και χαλαρώστε τη βίδα.
4. Εγκαταστήστε το συρμάτινο καλώδιο (L, Εικόνα 8) μέσα από την οπή στο παξιμάδι στερέωσης καλωδίου (J) και σφίξτε τη βίδα (K). Βεβαιωθείτε ότι το συρμάτινο καλώδιο (L) δεν επεκτείνεται περισσότερο από ½ ίντσα (12,7 mm) μετά την οπή.
5. Χαλαρώστε τη βίδα (I, Εικόνα 8). Ασφαλίστε το χιτώνιο του καλωδίου (N) κάτω από τον σφιγκτήρα καλωδίου (M) και σφίξτε τη βίδα (I).
6. Ελέγξτε τη λειτουργία του τηλεχειριστηρίου γκαζιού. Κινήστε το τηλεχειριστήριο γκαζιού από το χαμηλό στο γρήγορο 2-3 φορές. Βεβαιωθείτε ότι το τηλεχειριστήριο γκαζιού και το καλώδιο (L, 8) κινούνται ελεύθερα. Ρυθμίστε το παξιμάδι (Ρ, Εικόνα 7) όπως απαιτείται για την καθορισμένη θέση.

### Τηλεχειριστήριο γκαζιού με συμπαγές συρμάτινο καλώδιο

Ένα τηλεχειριστήριο γκαζιού με συμπαγές συρμάτινο καλώδιο μπορεί να εγκατασταθεί σε μία από τις τέσσερις κατεύθυνσεις: **Κατεύθυνση κυλινδρικής κεφαλής, Μπροστινή κατεύθυνση, Αριστερή κατεύθυνση ή Δεξιά κατεύθυνση.**

#### Κατεύθυνση κυλινδρικής κεφαλής

1. Μετακινήστε τον μοχλό του χειριστηρίου γκαζιού / TransportGuard® (Α, Εικόνα 9) στη θέση ΑΠΕΝΕΡΓΟΠΟΙΗΣΗ.
2. Αφαιρέστε το ελατήριο (S, Εικόνα 9).
3. Μετακινήστε τον μοχλό του χειριστηρίου γκαζιού / TransportGuard® (Α, Εικόνα 9) στη θέση ΓΡΗΓΟΡΑ.

4. Χρησιμοποιήστε ένα γαλλικό κλειδί 10 mm και χαλαρώστε το παξιμάδι (Ρ, Εικόνα 4) κατά ½ στροφής στον μοχλό χειριστηρίου γκαζιού / TransportGuard® (Α).
5. Τοποθετήστε το εξάρτημα Z του συμπαγούς συρμάτινου καλωδίου (Q, Εικόνα 9) σε μία από τις μικρές οπές στον γωνιωτό σύνδεσμο (R).
6. Χαλαρώστε τη βίδα (I, Εικόνα 9). Ασφαλίστε το χιτώνιο του καλωδίου (N) κάτω από τον σφιγκτήρα καλωδίου (M) και σφίξτε τη βίδα (I).
7. Ελέγξτε τη λειτουργία του τηλεχειριστηρίου γκαζιού. Κινήστε το τηλεχειριστήριο γκαζιού από το χαμηλό στο γρήγορο 2-3 φορές. Βεβαιωθείτε ότι το τηλεχειριστήριο γκαζιού και το συρμάτινο καλώδιο (L, Εικόνα 9) κινούνται ελεύθερα. Ρυθμίστε το παξιμάδι (Ρ, Εικόνα 4) όπως απαιτείται για την καθορισμένη θέση.

#### Μπροστινή κατεύθυνση

1. Μετακινήστε τον μοχλό του χειριστηρίου γκαζιού / TransportGuard® (Α, Εικόνα 10) στη θέση ΑΠΕΝΕΡΓΟΠΟΙΗΣΗ.
2. Αφαιρέστε το ελατήριο (S, Εικόνα 10).
3. Μετακινήστε τον μοχλό του χειριστηρίου γκαζιού / TransportGuard® (Α, Εικόνα 10) στη θέση ΓΡΗΓΟΡΑ.
4. Χρησιμοποιήστε ένα γαλλικό κλειδί 10 mm και χαλαρώστε το παξιμάδι (Ρ, Εικόνα 4) κατά ½ στροφής στον μοχλό χειριστηρίου γκαζιού / TransportGuard® (Α).
5. Τοποθετήστε το εξάρτημα Z του συμπαγούς συρμάτινου καλωδίου (Q, Εικόνα 10) σε μία από τις δύο μικρές οπές στον γωνιωτό σύνδεσμο (R).
6. Χαλαρώστε τη βίδα (I, Εικόνα 10). Ασφαλίστε το χιτώνιο του καλωδίου (N) κάτω από τον σφιγκτήρα καλωδίου (M) και σφίξτε τη βίδα (I).
7. Ελέγξτε τη λειτουργία του τηλεχειριστηρίου γκαζιού. Κινήστε το τηλεχειριστήριο γκαζιού από το χαμηλό στο γρήγορο 2-3 φορές. Βεβαιωθείτε ότι το τηλεχειριστήριο γκαζιού και το καλώδιο (L, Εικόνα 10) κινούνται ελεύθερα. Ρυθμίστε το παξιμάδι (Ρ, Εικόνα 4) όπως απαιτείται για την καθορισμένη θέση.

#### Αριστερή κατεύθυνση

1. Μετακινήστε τον μοχλό του χειριστηρίου γκαζιού / TransportGuard® (Α, Εικόνα 11) στη θέση ΑΠΕΝΕΡΓΟΠΟΙΗΣΗ.
2. Αφαιρέστε το ελατήριο (S, Εικόνα 4).
3. Μετακινήστε τον μοχλό του χειριστηρίου γκαζιού / TransportGuard® (Α, Εικόνα 11) στη θέση ΓΡΗΓΟΡΑ.
4. Χρησιμοποιήστε ένα γαλλικό κλειδί 10 mm και χαλαρώστε το παξιμάδι (Ρ, Εικόνα 4) κατά ½ στροφής στον μοχλό χειριστηρίου γκαζιού / TransportGuard® (Α, Εικόνα 11).
5. Αφαιρέστε το κομβίο του χειριστηρίου γκαζιού (W, Εικόνα 11) για να αποκαλύψετε τη μικρή οπή (S).
6. Εγκαταστήστε το εξάρτημα Z του συμπαγούς συρμάτινου καλωδίου (L, Εικόνα 11) στη μικρή οπή (S) στον μοχλό του χειριστηρίου γκαζιού (Α).
7. Χαλαρώστε τη βίδα (I, Εικόνα 11). Ασφαλίστε το χιτώνιο του καλωδίου (N) κάτω από τον σφιγκτήρα καλωδίου (M) και σφίξτε τη βίδα (I).
8. Ελέγξτε τη λειτουργία του τηλεχειριστηρίου γκαζιού. Κινήστε το τηλεχειριστήριο γκαζιού από το χαμηλό στο γρήγορο 2-3 φορές. Βεβαιωθείτε ότι το τηλεχειριστήριο γκαζιού και το καλώδιο (L, Εικόνα 11) κινούνται ελεύθερα. Ρυθμίστε το παξιμάδι (Ρ, Εικόνα 4) όπως απαιτείται για την καθορισμένη θέση.

#### Δεξιά κατεύθυνση

Για να εγκαταστήσετε ένα τηλεχειριστήριο γκαζιού από τη δεξιά κατεύθυνση, απαιτείται ένας βραχίονας στερέωσης καλωδίου (U, Εικόνα 12). Ανατρέξτε στην ενότητα **Προδιαγραφές και ανταλλακτικά** για τον αριθμό εξαρτήματος. Για να αγοράσετε έναν βραχίονα στερέωσης καλωδίου, επικοινωνήστε με Εξουσιοδοτημένο Αντιπρόσωπο Σέρβις της Briggs & Stratton.

1. Μετακινήστε τον μοχλό του χειριστηρίου γκαζιού / TransportGuard® (Α, Εικόνα 12) στη θέση ΑΠΕΝΕΡΓΟΠΟΙΗΣΗ.
2. Αφαιρέστε το ελατήριο (S, Εικόνα 4).
3. Αφαιρέστε το κομβίο του χειριστηρίου γκαζιού (W, Εικόνα 12) για να αποκαλύψετε τη μικρή οπή (S).
4. Μετακινήστε τον μοχλό του χειριστηρίου γκαζιού / TransportGuard® (Α, Εικόνα 12) στη θέση ΓΡΗΓΟΡΑ.
5. Χρησιμοποιήστε ένα γαλλικό κλειδί 10 mm και χαλαρώστε το παξιμάδι (Ρ, Εικόνα 4) κατά ½ στροφής στον μοχλό χειριστηρίου γκαζιού / TransportGuard® (Α, 12).
6. Εγκαταστήστε το εξάρτημα Z του συμπαγούς συρμάτινου καλωδίου (L, Εικόνα 12) στη μικρή οπή (S) στον μοχλό του χειριστηρίου γκαζιού (Α).
7. Αφαιρέστε το μπουλόνι (Τ, Εικόνα 12). Τοποθετήστε τον βραχίονα στερέωσης καλωδίου (U) όπως φαίνεται στην εικόνα. Συνδέστε τον βραχίονα στερέωσης καλωδίου (U) με το μπουλόνι(Τ). Σφίξτε το μπουλόνι (Τ) στις 30 λίβρες-ίντσες (3,4 Nm). Ανατρέξτε στην ενότητα **Προδιαγραφές και ανταλλακτικά**.
8. Χαλαρώστε τη βίδα (I, Εικόνα 12). Ασφαλίστε το χιτώνιο του καλωδίου (N) κάτω από τον σφιγκτήρα καλωδίου (M) και σφίξτε τη βίδα (I).

- Εξετάστε τη λειτουργία του τηλεχειριστηρίου γκαζιού. Κινήστε το τηλεχειριστήριο γκαζιού από το χαμηλό στο γρήγορο 2-3 φορές. Βεβαιωθείτε ότι το τηλεχειριστήριο γκαζιού και το καλώδιο (L, Εικόνα 12) κινούνται ελεύθερα. Ρυθμίστε το παζιμάδι (P, Εικόνα 4) όπως απαιτείται για την καθορισμένη θέση.

## Σταθερή ταχύτητα κινητήρα (χωρίς καλώδιο ελέγχου γκαζιού)

Κατά τη μετατροπή σε **Σταθερή Ταχύτητα Κινητήρα**, δεν υπάρχει εγκατεστημένο καλώδιο χειριστηρίου γκαζιού ούτε επιλογή ταχύτητας. Η μόνη ταχύτητα κινητήρα είναι ΓΡΗΓΟΡΑ.

- Μετακινήστε τον μοχλό του χειριστηρίου γκαζιού / TransportGuard® (Α, Εικόνα 13) στη θέση ΑΠΕΝΕΡΓΟΠΟΙΗΣΗ.
- Αφαιρέστε το ελατήριο (S, Εικόνα 13).
- Μετακινήστε τον μοχλό του χειριστηρίου γκαζιού / TransportGuard® (Α, Εικόνα 13) στη θέση ΓΡΗΓΟΡΑ.
- Βεβαιωθείτε ότι η βίδα του συγκρατητή καλωδίου (V, Εικόνα 13) ευθυγραμμίζεται με την οπή στον βραχίονα. Σφίξτε τη βίδα (V) στις 25 λίβρες-ίντσες (2,8 Nm).
- Αφαιρέστε τον σύνδεσμο ελέγχου (H, Εικόνα 13).

**ΣΗΜΕΙΩΣΗ:** Αυτή τη στιγμή, ο μοχλός χειριστηρίου γκαζιού / TransportGuard® θα έχει μόνο δύο θέσεις: τη θέση ΣΤΟΠ / ΚΛΕΙΣΤΟ και τη θέση ΛΕΙΤΟΥΡΓΙΑ.

- Εγκαταστήστε τη νέα ετικέτα ΕΝΕΡΓΟΠΟΙΗΣΗ/ ΑΠΕΝΕΡΓΟΠΟΙΗΣΗ TransportGuard® (Ο, Εικόνα 14) πάνω από την υπάρχουσα ετικέτα που βρίσκεται στο διακοσμητικό πάνελ στο χειριστήριο ταχύτητας (F).

## Λειτουργία



### ΠΡΟΕΙΔΟΠΟΙΗΣΗ

Οι αναθυμιάσεις καυσίμου είναι εύφλεκες και εκρηκτικές. Πυρκαγιά ή έκρηξη μπορεί να οδηγήσει σε εγκαύματα ή θάνατο.

### Εάν μυρίσετε αέριο

- Μην θέτετε σε λειτουργία τον κινητήρα.
- Μην ενεργοποιείτε ηλεκτρικούς διακόπτες.
- Μη χρησιμοποιείτε τηλέφωνο στη γύρω περιοχή.
- Εκκενώστε την περιοχή.
- Επικοινωνήστε με την πυροσβεστική.

### Κατά τη λειτουργία του εξοπλισμού

- Μη δίνετε κλίση στον κινητήρα ή στον εξοπλισμό σε γωνία τέτοια που να κάνει το καύσιμο να χυθεί.

### Κατά τη μετακίνηση της θέσης του εξοπλισμού

- Βεβαιωθείτε ότι το ρεζερβουάρ καυσίμου είναι ΑΔΕΙΟ ή ότι η βαλβίδα διακοπής της παροχής καυσίμου, εάν υπάρχει, βρίσκεται στη θέση ΚΛΕΙΣΤΗ.

## Ελέγξτε τη στάθμη του λαδιού

### Πριν ελέγξετε ή προσθέσετε λάδι

- Βεβαιωθείτε ότι ο κινητήρας βρίσκεται σε οριζόντια θέση.
- Καθαρίστε τα απόβλητα στην περιοχή γύρω από το πώμα λαδιού.
- Ανατρέξτε στην ενότητα **Προδιαγραφές** για τη χωρητικότητα λαδιού.

### ΕΠΙΣΗΜΑΝΣΗ

Ο κινητήρας αυτός αποστέλλεται από την Briggs & Stratton χωρίς λάδι. Οι κατασκευαστές του εξοπλισμού ή οι αντιπρόσωποι μπορεί να έχουν προσθέσει λάδι στον κινητήρα. Πριν ξεκινήσετε τον κινητήρα για πρώτη φορά, βεβαιωθείτε ότι το λάδι βρίσκεται στη σωστή στάθμη. Προσθέστε λάδι όπως καθορίζεται στις οδηγίες αυτού του εγχειριδίου. Εάν ξεκινήσετε τον κινητήρα χωρίς λάδι, θα προκληθεί ζημιά και η επισκευή του κινητήρα δεν θα καλυφθεί από την εγγύηση.

- Αφαιρέστε τον δείκτη στάθμης λαδιού (Α, Εικόνα 15) και σκουπίστε τον με καθαρό πανί
- Τοποθετήστε και σφίξτε τον δείκτη στάθμης λαδιού (Α, Εικόνα 15).
- Αφαιρέστε τον δείκτη στάθμης και ελέγξτε τη στάθμη του λαδιού. Βεβαιωθείτε ότι η στάθμη λαδιού βρίσκεται στο επάνω μέρος της ένδειξης πλήρους στάθμης (B, Εικόνα 15) στον δείκτη στάθμης.
- Ο κινητήρας έχει δύο πώματα πλήρωσης λαδιού (C, G, Εικόνα 16). Αν η στάθμη του λαδιού είναι χαμηλή, προσθέστε αργά λάδι από τις οπές πλήρωσης λαδιού του κινητήρα (C, G). Μην προσθέτετε υπερβολική ποσότητα λαδιού. Μετά την προσθήκη λαδιού, περιμένετε ένα λεπτό και έπειτα ελέγξτε ξανά τη στάθμη του λαδιού. Βεβαιωθείτε ότι η στάθμη λαδιού είναι σωστή.
- Τοποθετήστε και σφίξτε τον δείκτη στάθμης λαδιού (Α, Εικόνα 15).

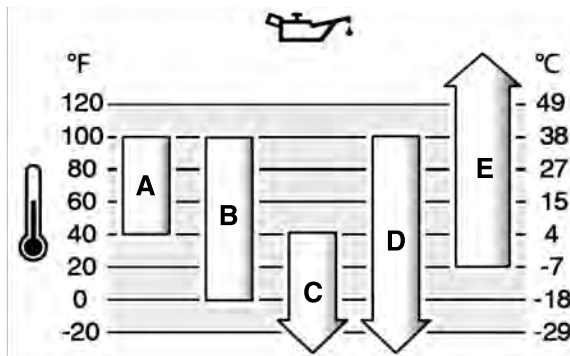
## Συστάσεις για το λάδι

**Χωρητικότητα λαδιού:** Ανατρέξτε στην ενότητα **Προδιαγραφές**.

Σας συνιστούμε τη χρήση πιστοποιημένων λαδιών με την εγγύηση της Briggs & Stratton® για καλύτερη απόδοση. Άλλα απορρυπαντικά λάδια υψηλής ποιότητας

επιτρέπονται εφόσον έχουν πιστοποιηθεί για χρήση SF, SG, SH, SJ ή υψηλότερη. Μην χρησιμοποιείτε ειδικά πρόσθετα.

Χρησιμοποιήστε τον πίνακα για να επιλέξετε το καλύτερο ιξώδες για το αναμενόμενο εύρος εξωτερικών θερμοκρασιών. Οι κινητήρες στους περισσότερους εξοπλισμούς παραγωγής ισχύος εξωτερικών χώρων λειτουργούν καλά με συνθετικό λάδι 5W-30. Για εξοπλισμό που χρησιμοποιείται σε υψηλές θερμοκρασίες, το συνθετικό λάδι Vanguard® 15W-50 παρέχει την καλύτερη προστασία.



A	SAE 30 - Σε θερμοκρασίες κάτω των 40 °F (4 °C), η χρήση SAE 30 θα έχει ως αποτέλεσμα τη δύσκολη εκκίνηση του κινητήρα.
B	10W-30 - Σε θερμοκρασίες άνω των 80 °F (27 °C), η χρήση 10W-30 θα έχει ως αποτέλεσμα την αυξημένη κατανάλωση λαδιού. Ελέγχετε συχνά τη στάθμη του λαδιού.
C	5W-30
D	Συνθετικό λάδι 5W-30
E	Συνθετικό λάδι Vanguard® 15W-50

## Σύστημα προστασίας από χαμηλή στάθμη λαδιού (εάν υπάρχει)

Σε ορισμένους κινητήρες, υπάρχει ένας αισθητήρας χαμηλής στάθμης λαδιού. Εάν η στάθμη του λαδιού είναι χαμηλή, ο αισθητήρας θα εμφανίσει μια προειδοποιητική λυχνία ή θα διακοπεί η λειτουργία του κινητήρα. Διακόψτε τη λειτουργία του κινητήρα και διεξάγετε αυτά τα βήματα πριν την εκκίνηση του κινητήρα.

- Βεβαιωθείτε ότι ο κινητήρας βρίσκεται σε οριζόντια θέση.
- Κάντε έναν έλεγχο λαδιού. Ανατρέξτε στην ενότητα **Έλεγχος λαδιού**.
- Εάν η στάθμη του λαδιού είναι χαμηλή, προσθέστε τη σωστή ποσότητα λαδιού. Ξεκινήστε τον κινητήρα και βεβαιωθείτε ότι η προειδοποιητική λυχνία (εάν υπάρχει) δεν ανάβει.
- Εάν η στάθμη του λαδιού δεν είναι χαμηλή, μην ξεκινάτε τον κινητήρα. Απευθυνθείτε σε Εξουσιοδοτημένο αντιπρόσωπο σέρβις της Briggs & Stratton για να διορθώσει το πρόβλημα με το λάδι.

## Συστάσεις για το καύσιμο

**Το καύσιμο πρέπει να πληροί τις εξής απαιτήσεις:**

- Να είναι καθαρή, φρέσκια, αμόλυβδη βενζίνη.
- Να έχει τουλάχιστον 87 οκτάνια/87 AKI (91 RON). Χρήση σε μεγάλο υψόμετρο, δείτε παρακάτω.
- Επιτρέπεται η βενζίνη με έως και 10% περιεκτικότητα σε αιθυλική αλκοόλη (βενζόλη).

### ΕΠΙΣΗΜΑΝΣΗ

Μην χρησιμοποιείτε μη εγκεκριμένη βενζίνη, όπως E15 και E85. Μην αναμειγνύετε λάδι στη βενζίνη ούτε να τροποποιείτε τον κινητήρα για να μπορεί να λειτουργήσει με εναλλακτικά καύσιμα. Η χρήση μη εγκεκριμένων καυσίμων μπορεί να προκαλέσει ζημιά στα εξαρτήματα του κινητήρα, η επισκευή των οποίων δεν θα καλυφθεί από την εγγύηση.

Για να προστατεύσετε το σύστημα καυσίμου από τον σχηματισμό ρητινών και τη διάβρωση, εμπλουτίστε το καύσιμο με μείγμα σταθεροποιητή καυσίμου χωρίς αλκοόλη και αιθυλικής αλκοόλης. Ανατρέξτε στην ενότητα **Αποθήκευση**. Δεν είναι ίδια όλα τα καύσιμα. Εάν παρουσιαστούν προβλήματα στην εκκίνηση ή τις επιδόσεις του κινητήρα, αλλάξτε προμηθευτή ή μάρκα καυσίμου. Αυτός ο κινητήρας είναι πιστοποιημένος να λειτουργεί με βενζίνη. Το σύστημα ελέγχου εκπομπών για κινητήρες με καρμπυράτөр είναι το EM (Τροποποιήσεις κινητήρα). Τα συστήματα ελέγχου εκπομπών για κινητήρες με ηλεκτρονική έγχυση καυσίμου είναι το ECM (Μονάδα ελέγχου καυσίμου), το MPI (Ψεκασμός πολλαπλών σημείων), το TBI (Σώμα πεταλούδας ψεκασμού καυσίμου) και, αν υπάρχει, O2S (Αισθητήρας οξυγόνου).

### Μεγάλο υψόμετρο

Σε υψόμετρα πάνω από τα 5000 πόδια (1524 μέτρα), επιτρέπεται η βενζίνη τουλάχιστον 85 οκτανίων/85 AKI (89 RON).

Για να διατηρηθούν οι υψηλές επιδόσεις κινητήρων με καρμπυράτөр, απαιτείται ρύθμιση για μεγάλο υψόμετρο. Λειτουργία χωρίς τη συγκεκριμένη προσαρμογή θα μειώσει την απόδοση, θα αυξήσει την κατανάλωση του καυσίμου και την αύξηση των εκπομπών.

Αν χρειαστείτε πληροφορίες σχετικά με τη ρύθμιση για μεγάλο υψόμετρο, αποταθείτε σε εξουσιοδοτημένο ανιππρόσωπο της Briggs & Stratton. Δεν ενδείκνυται η λειτουργία του κινητήρα σε υψόμετρα μικρότερα από 2.500 πόδια (762 μέτρα) με το κιτ για μεγάλα υψόμετρα.

Σε κινητήρες με σύστημα ηλεκτρονικής έγχυσης καυσίμου (EFI) δεν απαιτείται ρύθμιση για λειτουργία σε μεγάλο υψόμετρο.

## Προσθέστε καύσιμο



### ΠΡΟΕΙΔΟΠΟΙΗΣΗ

**Το καύσιμο και οι αναθυμιάσεις είναι εύφλεκτες και εκρηκτικές. Πυρκαγιά ή έκρηξη μπορεί να οδηγήσει σε εγκαύματα ή θάνατο.**

#### Κατά την προσθήκη καυσίμου

- Διακόψτε τη λειτουργία του κινητήρα. Πριν αφαιρέσετε την τάπα του ρεζερβουάρ καυσίμου, περιμένετε τουλάχιστον δύο (2) λεπτά για να βεβαιωθείτε ότι ο κινητήρας έχει κρυώσει.
- Γεμίστε το ρεζερβουάρ καυσίμου σε εξωτερικό χώρο ή σε περιοχή με καλή ροή του αέρα.
- Μη βάζετε υπερβολική ποσότητα καυσίμου στο ρεζερβουάρ. Για τη διαστολή του καυσίμου, μη γεμίζετε το ρεζερβουάρ καυσίμου πάνω από το κάτω μέρος του στομιού του.
- Το καύσιμο πρέπει να μένει μακριά από σπινθήρες, ανοιχτές φλόγες, φώτα εναύσματος, πηγές θερμότητας και άλλες πηγές ανάφλεξης.
- Ελέγχετε συχνά τις σωληνώσεις καυσίμου, το ρεζερβουάρ καυσίμου, την τάπα του ρεζερβουάρ και τις συνδέσεις για ρωγμές ή διαρροές. Αντικαθιστάτε τα κατεστραμμένα εξαρτήματα.
- Εάν χυθεί καύσιμο, περιμένετε να στεγνώσει πριν θέσετε σε λειτουργία τον κινητήρα.

1. Καθαρίστε την τάπα του καυσίμου ώστε να μην υπάρχουν ακαθαρσίες και κατάλοιπα. Αφαιρέστε το πώμα του νεπετόζιτου καυσίμου.
2. Γεμίστε το ρεζερβουάρ καυσίμου (Α, Εικόνα 17) με καύσιμο. Επειδή θα διασταλεί το καύσιμο, μη γεμίζετε το ρεζερβουάρ καυσίμου πάνω από το κάτω μέρος του στομιού του (Β).
3. Επανατοποθετήστε την τάπα του καυσίμου.

## Εκκίνηση του Κινητήρα



### ΠΡΟΕΙΔΟΠΟΙΗΣΗ

**ΚΙΝΔΥΝΟΣ ΔΗΛΗΤΗΡΙΩΔΟΥΣ ΑΕΡΙΟΥ.** Τα αέρια που εκπέμπει ο κινητήρας περιέχουν μονοξείδιο του άνθρακα, ένα δηλητηριώδες αέριο το οποίο μπορεί να επιφέρει τον θάνατο μέσα σε λίγα λεπτά. Παρόλο που δεν μυρίζετε τα καυσαέρια, πάντα υπάρχει η πιθανότητα να εκτεθείτε σε επικίνδυνο μονοξείδιο του άνθρακα. Εάν νιώσετε ναυτία, ζαλάδα ή αδυναμία ενώ χρησιμοποιείτε αυτό το προϊόν, βγείτε ΑΜΕΣΩΣ έξω για να πάρετε καθαρό αέρα. Επισκεφθείτε γιατρό. Ενδέχεται να έχετε δηλητηριαστεί από μονοξείδιο του άνθρακα.

- Το αέριο μονοξείδιο του άνθρακα μπορεί να συσσωρευτεί σε κατειλημμένες περιοχές. Για να περιορίσετε τον κίνδυνο αερίου μονοξειδίου του άνθρακα, θέτετε σε λειτουργία αυτό το προϊόν ΜΟΝΟ σε εξωτερικό χώρο και μακριά από παράθυρα, πόρτες και αεραγωγούς.
- Τοποθετήστε ανιχνευτές μονοξειδίου του άνθρακα που λειτουργούν με μπαταρία ή εμβυσματούμενους ανιχνευτές μονοξειδίου του άνθρακα με εφεδρική μπαταρία, όπως καθορίζεται στις οδηγίες του κατασκευαστή. Οι ανιχνευτές καπνού δεν μπορούν να ανιχνεύσουν αέριο μονοξειδίου του άνθρακα.
- ΜΗ θέτετε σε λειτουργία αυτό το προϊόν μέσα σε σπίτι, γκαράζ, ψηλοτάβανα ή χαμηλοτάβανα υπόγειο, υπόστεγο ή άλλους κλειστούς χώρους, ακόμα και αν χρησιμοποιείτε ανεμιστήρες ή ανοίγετε τις πόρτες και τα παράθυρα για εξαερισμό. Μετά τη λειτουργία αυτού του προϊόντος, το μονοξείδιο του άνθρακα μπορεί γρήγορα να συσσωρευτεί σε αυτούς τους χώρους και να παραμείνει για ώρες.
- Τοποθετείτε ΠΑΝΤΑ το προϊόν αυτό στην υπήνεμη πλευρά και με την εξάτμιση του κινητήρα στραμμένη μακριά από χώρους όπου βρίσκονται άνθρωποι.



### ΠΡΟΕΙΔΟΠΟΙΗΣΗ

**Το καύσιμο και οι αναθυμιάσεις είναι εύφλεκτες και εκρηκτικές. Πυρκαγιά ή έκρηξη μπορεί να οδηγήσει σε εγκαύματα ή θάνατο.**

#### Κατά την εκκίνηση του κινητήρα

- Βεβαιωθείτε ότι έχουν τοποθετηθεί σωστά το μπουζί, ο σιγαστήρας, η τάπα του ρεζερβουάρ καυσίμου και το φίλτρο αέρα (εφόσον υπάρχει).
- Μη θέτετε σε λειτουργία τον κινητήρα χωρίς το μπουζί.
- Εάν μπουκώσει ο κινητήρας, ρυθμίστε το τσοκ (εφόσον υπάρχει) στη θέση ΑΝΟΙΧΤΟ ή ΛΕΙΤΟΥΡΓΙΑ. Μετακινήστε το γκάτζι (εφόσον υπάρχει) στη θέση ΓΡΗΓΟΡΑ και γυρίστε τον κινητήρα με τη μίζα μέχρι να πάρετε μπροστά.
- Εάν υπάρχει διαρροή φυσικού αερίου ή υγραερίου στον χώρο, μην θέτετε σε λειτουργία τον κινητήρα.
- Επειδή οι αναθυμιάσεις είναι εύφλεκτες, μη χρησιμοποιείτε υγρά υπό πίεση για υποβοήθηση της εκκίνησης.



### ΠΡΟΕΙΔΟΠΟΙΗΣΗ

**Τα περιστρεφόμενα εξαρτήματα μπορούν να μαγκώσουν χέρια, πόδια, μαλλιά, ρούχα ή αξεσουάρ και να οδηγήσουν σε ακρωτηριασμό ή πρόκληση πληγής.**

- Λειτουργείτε τον εξοπλισμό με σωστά τοποθετημένα περιβλήματα προστασίας.
- Κρατάτε τα χέρια και τα πόδια σας μακριά από τα περιστρεφόμενα εξαρτήματα.
- Αφαιρέστε τα κοσμήματα και κρατήστε τα μακριά μαλλιά μακριά από όλα τα περιστρεφόμενα εξαρτήματα.
- Μη φοράτε χαλαρά ρούχα ή αντικείμενα που μπορούν να σκαλώσουν.



### ΠΡΟΕΙΔΟΠΟΙΗΣΗ

**Η γρήγορη επαναφορά του σχοινού εκκίνησης (κλώτσημα) θα τραβήξει το χέρι και τον βραχίονά σας προς τον κινητήρα πριν προλάβετε να αφήσετε το σχοινί. Έτσι, ενδέχεται να υποστείτε κατάγματα, συντριπτικά κατάγματα, μώλωπες ή διαστρέμματα.**

- Για να αποφύγετε το κλώτσημα κατά την εκκίνηση του κινητήρα, τραβήξτε το σχοινί εκκίνησης αργά έως ότου αισθανθείτε αντίσταση και έπειτα τραβήξτε γρήγορα.
- Πριν ξεκινήσετε τον κινητήρα, αποσυνδέστε ή αφαιρέστε όλα τα εξωτερικά φορτία του εξοπλισμού και του κινητήρα.
- Βεβαιωθείτε ότι τα εξαρτήματα άμεσης ζεύξης του εξοπλισμού, όπως, μεταξύ άλλων, λεπίδες, πτερωτές, τροχαλίες και αλυσοτροχοί, έχουν συνδεθεί σωστά.

**ΣΗΜΕΙΩΣΗ:** Ο εξοπλισμός σας μπορεί να έχει τηλεχειριστήρια. Ανατρέξτε στο εγχειρίδιο του εξοπλισμού για τη θέση και τη λειτουργία του τηλεχειριστηρίου.

1. Ελέγξτε το λιπαντικό του κινητήρα. Ανατρέξτε στην ενότητα **Έλεγχος της στάθμης λαδιού**.
2. Βεβαιωθείτε ότι τα χειριστήρια μετάδοσης κίνησης του εξοπλισμού, εφόσον υπάρχουν, είναι αποπλεγμένα.
3. Μετακινήστε τον μοχλό χειριστηρίου γκαζιού / TransportGuard® (Α, Εικόνα 18), εάν υπάρχει, στη θέση ΓΡΗΓΟΡΑ ή ΛΕΙΤΟΥΡΓΙΑ. Χειριστείτε τον κινητήρα στη θέση ΓΡΗΓΟΡΑ ή ΛΕΙΤΟΥΡΓΙΑ.
4. Μετακινήστε το χειριστήριο ελέγχου του τσοκ (Β, Εικόνα 18) στη θέση ΚΛΕΙΣΤΟ.

Το τσοκ συνήθως δεν χρειάζεται όταν ξεκινάτε κινητήρα που έχει ζεσταθεί.

5. **Διακόπτης επανεκκίνησης, εάν υπάρχει:** Κρατήστε γερά τη χειρολαβή της μίζας (C, Εικόνα 18). Τραβήξτε τη χειρολαβή του σχοινού εκκίνησης μέχρι να συναντήσετε αντίσταση και έπειτα τραβήξτε απότομα.



### ΠΡΟΕΙΔΟΠΟΙΗΣΗ

**Η γρήγορη επαναφορά του σχοινού εκκίνησης (κλώτσημα) θα τραβήξει το χέρι και τον βραχίονά σας προς τον κινητήρα πριν προλάβετε να αφήσετε το σχοινί. Έτσι, ενδέχεται να υποστείτε κατάγματα, συντριπτικά κατάγματα, μώλωπες ή διαστρέμματα.**

- Για να αποφύγετε το κλώτσημα κατά την εκκίνηση του κινητήρα, τραβήξτε το σχοινί εκκίνησης αργά έως ότου αισθανθείτε αντίσταση και έπειτα τραβήξτε γρήγορα.
- Πριν ξεκινήσετε τον κινητήρα, αποσυνδέστε ή αφαιρέστε όλα τα εξωτερικά φορτία του εξοπλισμού και του κινητήρα.
- Βεβαιωθείτε ότι τα εξαρτήματα άμεσης ζεύξης του εξοπλισμού, όπως, μεταξύ άλλων, λεπίδες, πτερωτές, τροχαλίες και αλυσοτροχοί, έχουν συνδεθεί σωστά.

6. **Διακόπτης ηλεκτρικής εκκίνησης, εφόσον υπάρχει:** Στρέψτε τον διακόπτη ηλεκτρικής εκκίνησης (D, Εικόνα 18) στη θέση ΕΝΑΡΞΗ.

#### ΕΠΙΣΗΜΑΝΣΗ

Για να παρατείνετε τη διάρκεια ζωής της μίζας, χρησιμοποιείτε μικρούς σε διάρκεια κύκλους εκκίνησης (όχι πάνω από πέντε δευτερόλεπτα). Περιμένετε ένα λεπτό μεταξύ των κύκλων εκκίνησης.

7. Καθώς ο κινητήρας θερμαίνεται, μετακινήστε το χειριστήριο ελέγχου του τσοκ (B, Εικόνα 18) στη θέση ΑΝΟΙΧΤΟ.

Εάν ο κινητήρας δεν ξεκινάει μετά από 2 ή 3 φορές, επικοινωνήστε με τον τοπικό αντιπρόσωπο ή μεταβείτε στο [vanguardpower.com](http://vanguardpower.com) ή καλέστε στο 1-800-999-9333 (στις ΗΠΑ).

## Διακοπή λειτουργίας του κινητήρα



#### ΠΡΟΕΙΔΟΠΟΙΗΣΗ

Το καύσιμο και οι αναθυμιάσεις είναι εύφλεκτες και εκρηκτικές. Πυρκαγιά ή έκρηξη μπορεί να οδηγήσει σε εγκαύματα ή θάνατο.

- Μην ξεκινάτε εν ψυχρώ το καρμπυρατέρ (εφόσον υπάρχει) για να σταματήσετε τον κινητήρα.

**Χειριστήριο γκαζιού / TransportGuard®:** Μετακινήστε τον μοχλό του χειριστηρίου γκαζιού / TransportGuard® (A, Εικόνα 19) στη θέση ΑΠΕΝΕΡΓΟΠΟΙΗΣΗ ή ΔΙΑΚΟΠΗ.

**ΣΗΜΕΙΩΣΗ:** Όταν το χειριστήριο γκαζιού / TransportGuard® (A, Εικόνα 19) βρίσκεται στη θέση ΑΠΕΝΕΡΓΟΠΟΙΗΣΗ ή ΔΙΑΚΟΠΗ, η βαλβίδα καυσίμων βρίσκεται στη θέση ΑΠΕΝΕΡΓΟΠΟΙΗΣΗ. Πάντα να μετακινείτε το χειριστήριο γκαζιού / TransportGuard® στη θέση ΑΠΕΝΕΡΓΟΠΟΙΗΣΗ ή ΔΙΑΚΟΠΗ κατά την μεταφορά του εξοπλισμού.

**ΣΗΜΕΙΩΣΗ:** Το κλειδί (D, Εικόνα 19) δεν διακόπτει τον κινητήρα. Το κλειδί ΜΟΝΟ εκκινεί τον κινητήρα. Αφαιρέστε το κλειδί (D) και φυλάξτε το σε ασφαλές μέρος μακριά από τα παιδιά.

## Συντήρηση

### Πληροφορίες για τη συντήρηση



#### ΠΡΟΕΙΔΟΠΟΙΗΣΗ

Το καύσιμο και οι αναθυμιάσεις είναι εύφλεκτες και εκρηκτικές. Πυρκαγιά ή έκρηξη μπορεί να οδηγήσει σε εγκαύματα ή θάνατο.

Κατά τη συντήρηση, εάν είναι απαραίτητο να γείρετε τη μονάδα, βεβαιωθείτε ότι το ρεζερβουάρ καυσίμου, αν είναι τοποθετημένο στον κινητήρα, είναι άδειο και ότι η πλευρά με το μπουζί βρίσκεται προς τα πάνω. Εάν το ρεζερβουάρ καυσίμου δεν είναι άδειο, μπορεί να προκληθεί διαρροή που να οδηγήσει σε πυρκαγιά ή έκρηξη. Εάν ο κινητήρας έχει κλίση προς διαφορετική κατεύθυνση, δεν θα ξεκινήσει εύκολα λόγω ρύπανσης του φίλτρου αέρα ή του μπουζί με λάδι ή καύσιμο.



#### ΠΡΟΕΙΔΟΠΟΙΗΣΗ

Ο τυχαίος σπινθήρας του κινητήρα μπορεί να προκαλέσει ηλεκτροπληξία, πυρκαγιά ή έκρηξη και μπορεί να οδηγήσει σε εμπλοκή, ακρωτηριασμό ή τραυματισμό.

Πριν κάνετε ρυθμίσεις ή επισκευές:

- Αποσυνδέστε όλα τα καλώδια των μπουζί και απομακρύνετε τα από τα μπουζί.
- Αποσυνδέστε το καλώδιο της μπαταρίας από τον αρνητικό ακροδέκτη της (μόνο κινητήρες με ηλεκτρική εκκίνηση).
- Χρησιμοποιείτε μόνο τα σωστά εργαλεία.

Όταν ελέγχετε για σπινθήρα:

- Χρησιμοποιήστε ένα εγκατεστημένο εργαλείο ελέγχου για μπουζί.
- Μην ελέγχετε για σπινθήρα ενώ έχετε αφαιρέσει το μπουζί.



#### ΠΡΟΕΙΔΟΠΟΙΗΣΗ

Όλα τα στοιχεία που χρησιμοποιούνται για τη συναρμολόγηση αυτού του κινητήρα πρέπει να παραμένουν στην αρχική τους θέση, προκειμένου να λειτουργούν σωστά. Ενδέχεται να παρουσιαστεί ζημιά ή τραυματισμός, εάν χρησιμοποιήσετε λάθος εξαρτήματα ή αν δεν αντικαταστήσετε όλα τα εξαρτήματα του κινητήρα.

- Τα ανταλλακτικά πρέπει να έχουν τον ίδιο σχεδιασμό και να τοποθετούνται στην ίδια θέση με τα αρχικά εξαρτήματα.
- Αν είναι ήδη εγκατεστημένα, μην αλλάζετε το ελατήριο του ρυθμιστή ταχύτητας, τους συνδέσμους ή άλλα εξαρτήματα, για να αυξήσετε την ταχύτητα του κινητήρα.

#### ΕΠΙΣΗΜΑΝΣΗ

Όλα τα εξαρτήματα που χρησιμοποιούνται για την κατασκευή αυτού του κινητήρα πρέπει να παραμείνουν στη θέση τους για να εξασφαλιστεί η σωστή λειτουργία.

Απευθυνθείτε σε Εξουσιοδοτημένο αντιπρόσωπο σέρβις της Briggs & Stratton για κάθε εργασία συντήρησης και σέρβις του κινητήρα και των εξαρτημάτων του.

## Σέρβις συστήματος ελέγχου εκπομπών

Για τη συντήρηση, αντικατάσταση ή επισκευή των διατάξεων και συστημάτων ελέγχου εκπομπών, απευθυνθείτε σε εξειδικευμένο συνεργείο για επισκευές κινητήρων εκτός δρόμου ή σε τεχνικό σέρβις. Ωστόσο, τις εργασίες συντήρησης του συστήματος ελέγχου εκπομπών «χωρίς επιβάρυνση» πρέπει να αναλαμβάνει εξουσιοδοτημένος αντιπρόσωπος του κατασκευαστή. Ανατρέξτε στις Δηλώσεις για το Σύστημα Ελέγχου Εκπομπών.

## Πρόγραμμα συντήρησης

Πρώτες 5 ώρες
<ul style="list-style-type: none"><li>Αλλάξτε το λάδι.</li></ul>
Διαλείμματα 8 ωρών ή ημερησίως
<ul style="list-style-type: none"><li>Ελέγξτε τη στάθμη λαδιού του κινητήρα.</li><li>Καθαρίστε την περιοχή γύρω από τον σιγαστήρα εξάτμισης και τα χειριστήρια.</li><li>Καθαρίστε τη σχάρα αναρρόφησης αέρα.</li></ul>
Διαλείμματα 100 ωρών ή ετησίως
<ul style="list-style-type: none"><li>Κάντε έλεγχο του συστήματος εξάτμισης.</li><li>Αλλάξτε το λάδι στον μειωτήρα στροφών (εάν υπάρχει).</li></ul>
Διαλείμματα 200 ωρών ή ετησίως
<ul style="list-style-type: none"><li>Αλλαγή λαδιού κινητήρα.</li><li>Καθαρισμός του φίλτρου αέρα<sup>1</sup></li></ul>
Διαλείμματα 600 ωρών ή 3 ετών
<ul style="list-style-type: none"><li>Αντικαταστήστε το φίλτρο αέρα.</li></ul>
Ετησίως
<ul style="list-style-type: none"><li>Αντικαταστήστε το μπουζί.</li><li>Κάντε σέρβις του συστήματος καυσίμου.</li><li>Κάντε σέρβις του συστήματος ψύξης<sup>1</sup>.</li><li>Ελέγξτε το διάκενο των βαλβίδων<sup>2</sup>.</li></ul>

<sup>1</sup>Καθαρίζετε συχνότερα όταν υπάρχει σκόνη ή όταν βρίσκονται πολλά σωματίδια στον αέρα.

<sup>2</sup>Δεν είναι απαραίτητο εκτός και αν προκύψουν προβλήματα στον κινητήρα.

## Καρμπυρατέρ και ταχύτητα κινητήρα

Μην κάνετε προσαρμογές στο καρμπυρατέρ, το ελατήριο του ρυθμιστή ταχύτητας, τις συνδεσμολογίες ή τα άλλα εξαρτήματα για να προσαρμόσετε την ταχύτητα του κινητήρα. Σε περίπτωση που απαιτούνται ρυθμίσεις, απευθυνθείτε σε Εξουσιοδοτημένο αντιπρόσωπο σέρβις της Briggs & Stratton για σέρβις.

#### ΕΠΙΣΗΜΑΝΣΗ

Ο κατασκευαστής του εξοπλισμού καθορίζει τη μέγιστη ταχύτητα για τον κινητήρα όπως τοποθετείται στον εξοπλισμό. Μην υπερβαίνετε αυτήν την ταχύτητα. Εάν δεν είστε βέβαιοι για τη μέγιστη ταχύτητα του εξοπλισμού ή τη ρυθμισμένη από το εργοστάσιο ταχύτητα του κινητήρα, απευθυνθείτε για βοήθεια σε εξουσιοδοτημένο αντιπρόσωπο σέρβις της Briggs & Stratton. Για την ασφαλή και σωστή λειτουργία του εξοπλισμού, η ταχύτητα του κινητήρα πρέπει να ρυθμίζεται αποκλειστικά από έναν εξειδικευμένο τεχνικό σέρβις.

## Διεξαγωγή εργασιών συντήρησης στο μπουζί

Ελέγξτε το διάκενο μπουζί (A, Εικόνα 20) με διακενόμετρο (B). Εάν χρειάζεται, ρυθμίστε το διάκενο μπουζί. Τοποθετήστε και σφίξτε το μπουζί σύμφωνα με τη σωστή ροπή σύσφιξης. Για τις προδιαγραφές του διακενού και της ροπής, ανατρέξτε στην ενότητα Προδιαγραφές.

## Συντήρηση συστημάτων εξάτμισης και ψύξης



### ΠΡΟΕΙΔΟΠΟΙΗΣΗ

**Κατά τη λειτουργία, ο κινητήρας και ο σιγαστήρας ζεσταίνονται. Εάν αγγίξετε έναν ζεστό κινητήρα, μπορεί να προκληθούν θερμικά εγκαύματα.**

**Τα καύσιμα υλικά, όπως φύλλα, γρασιδί και θάμνοι, μπορούν να πάρουν φωτιά.**

- Πριν αγγίξετε τον κινητήρα ή τον σιγαστήρα, σταματήστε τον κινητήρα και περιμένετε δύο (2) λεπτά. Βεβαιωθείτε ότι είναι ασφαλές να αγγίξετε τον κινητήρα και τον σιγαστήρα.
- Απομακρύνετε τα απόβλητα από τον σιγαστήρα και τον κινητήρα.

Η χρήση ή η λειτουργία του κινητήρα σε δασώδη, χλωώδη ή θαμνώδη άγρια περιοχή συνιστά παράβαση της Ενότητας 4442 του Κώδικα περί Φυσικών Πόρων της Καλιφόρνιας, εκτός εάν το σύστημα εξάτμισης διαθέτει πλέγμα προφύλαξης από σπινθήρες που διατηρείται σε καλή λειτουργική κατάσταση, όπως ορίζεται στην Ενότητα 4442. Η δικαιοδοσία άλλων πολιτειών ή άλλες ομοσπονδιακές δικαιοδοσίες ενδέχεται να έχουν παρόμοιους νόμους. Ανατρέξτε στον Ομοσπονδιακό Κανονισμό 36 CFR Μέρος 261.52. Για να προμηθευτείτε πλέγμα προστασίας από σπινθήρες το οποίο είναι σχεδιασμένο για το σύστημα εξάτμισης που υπάρχει εγκατεστημένο στον συγκεκριμένο κινητήρα, αποταθείτε στον αρχικό κατασκευαστή του εξοπλισμού.

Ο κινητήρας αυτός είναι αερόψυκτος. Οι ακαθαρσίες ή το ανεπιθύμητο υλικό μπορούν να εμποδίσουν τη ροή του αέρα και να προκαλέσουν αύξηση της θερμοκρασίας του κινητήρα. Κάτι τέτοιο οδηγεί σε μη ικανοποιητική απόδοση και μειώνει τη διάρκεια ζωής του κινητήρα. Τα περυσία ψύξης κυλίνδρου μπορούν να συλλέξουν ανεπιθύμητο υλικό που δεν μπορεί να απομακρυνθεί χωρίς μερική αποσυνομιολόγηση του κινητήρα. Βεβαιωθείτε ότι ένας Εξουσιοδοτημένος Αντιπρόσωπος Σέρβις της Briggs & Stratton επιθεωρεί και καθαρίζει το σύστημα ψύξης αέρα. Ανατρέξτε στην ενότητα **Πρόγραμμα συντήρησης**.

1. Βεβαιωθείτε ότι δεν υπάρχουν εύφλεκτα υλικά γύρω και πίσω από τον σιγαστήρα.
2. Χρησιμοποιήστε μια βούρτσα ή ένα στεγνό πανί για να απομακρύνετε όλο το ανεπιθύμητο υλικό από το κάλυμμα περιβλήματος του φυσητήρα, τον σιγαστήρα και την περιοχή του κυλίνδρου. ΜΗ χρησιμοποιείτε νερό για να καθαρίσετε τον κινητήρα.
3. Βεβαιωθείτε ότι η συνδεσμολογία, τα ελατήρια και τα χειριστήρια είναι καθαρά.
4. Επιθεωρήστε τον σιγαστήρα για ρωγμές, διάβρωση ή άλλες ζημιές.
5. Αφαιρέστε τον εκτροπέα ή τη φλογοπαγίδα, εάν υπάρχει, και ελέγξτε για ζημιές ή έμφραξη από άνθρακα. Βεβαιωθείτε ότι έχετε καθαρίσει ή εγκαταστήσει τα ανταλλακτικά προτού θέσετε σε λειτουργία τον εξοπλισμό.
6. Βεβαιωθείτε ότι τα περυσία του ψύκτη λαδιού, εφόσον είναι εγκατεστημένοι, είναι καθαρά.

## Αλλαγή λιπαντικού κινητήρα



### ΠΡΟΕΙΔΟΠΟΙΗΣΗ

**Το καύσιμο και οι αναθυμιάσεις είναι εύφλεκτες και εκρηκτικές. Πυρκαγιά ή έκρηξη μπορεί να οδηγήσει σε εγκαύματα ή θάνατο.**

**Κατά τη λειτουργία, ο κινητήρας και ο σιγαστήρας ζεσταίνονται. Εάν αγγίξετε έναν ζεστό κινητήρα, μπορεί να προκληθούν θερμικά εγκαύματα.**

- Εάν αποστραγγίσετε το λάδι από τον επάνω σωλήνα πλήρωσης λαδιού, το ρεζερβουάρ καυσίμου πρέπει να είναι άδειο. Εάν δεν είναι άδειο, μπορεί να προκληθεί διαρροή καυσίμου που να οδηγήσει σε πυρκαγιά ή έκρηξη.
- Πριν αγγίξετε τον κινητήρα ή τον σιγαστήρα, σταματήστε τον κινητήρα και περιμένετε δύο (2) λεπτά. Βεβαιωθείτε ότι είναι ασφαλές να αγγίξετε τον κινητήρα και τον σιγαστήρα.

Το μεταχειρισμένο λάδι είναι επικίνδυνο απόβλητο και πρέπει να απορρίπτεται σωστά. Μην το απορρίπτετε στον κάδο οικιακών απορριμμάτων. Επικοινωνήστε με τις τοπικές αρχές, το συνεργείο ή τον αντιπρόσωπο για την ασφαλή απόρριψη ή για εγκαταστάσεις ανακύκλωσης.

Για τα μοντέλα **Just Check & Add™**, δεν απαιτείται αλλαγή λαδιού. Εάν απαιτείται αλλαγή λαδιού, ανατρέξτε στη διαδικασία που ακολουθεί.

### Άδειασμα λαδιού

1. Με τον κινητήρα εκτός λειτουργίας και ενώ είναι ακόμη ζεστός, αποσυνδέστε το(τα) καλώδιο(α) μπουζί (D, Εικόνα 21) και κρατήστε το μακριά από το(τα) μπουζί (E).
2. Αφαιρέστε τον δείκτη στάθμης λαδιού (A, Εικόνα 22).
3. Ο κινητήρας έχει δύο πώματα αποστράγγισης λαδιού (H, F, Εικόνα 23). Αφαιρέστε τα πώματα αποστράγγισης λαδιού (H, F). Αδειάστε το λάδι σε εγκεκριμένο δοχείο.
4. Τοποθετήστε και σφίξτε το πώμα αποστράγγισης λαδιού (H, F, Εικόνα 23).

### Προσθήκη λαδιού

- Βεβαιωθείτε ότι ο κινητήρας βρίσκεται σε οριζόντια θέση.
- Καθαρίστε την περιοχή πλήρωσης λαδιού από όλα τα ανεπιθύμητα υλικά.

- Ανατρέξτε στην ενότητα **Προδιαγραφές** για τη χωρητικότητα λαδιού.

1. Αφαιρέστε τον δείκτη στάθμης λαδιού. Ανατρέξτε στην ενότητα **Αφαίρεση λαδιού**.
2. Προσθέστε αργά λάδι σε μία από τις οπές πλήρωσης λαδιού του κινητήρα (C, G, Εικόνα 24). Μην προσθέτετε υπερβολική ποσότητα λαδιού.
3. Περιμένετε ένα λεπτό και εν συνεχεία ελέγξτε τη στάθμη του λαδιού.
4. Τοποθετήστε τον δείκτη στάθμης λαδιού.
5. Αφαιρέστε τον δείκτη στάθμης και ελέγξτε τη στάθμη του λαδιού. Η σωστή στάθμη λαδιού είναι το πάνω σημείο της ένδειξης πλήρους στάθμης που απεικονίζεται στον δείκτη στάθμης. Ανατρέξτε στην ενότητα **Έλεγχος της στάθμης λαδιού**.
6. Τοποθετήστε και σφίξτε ξανά τον δείκτη στάθμης λαδιού.
7. Συνδέστε το(τα) καλώδιο(α) μπουζί στο(στα) μπουζί. Ανατρέξτε στην ενότητα **Αφαίρεση λαδιού**.

## Αλλαγή λαδιού στον μειωτήρα στροφών

Μερικοί κινητήρες διαθέτουν μονάδα μειωτήρα στροφών. Σε αυτήν την περίπτωση, ανατρέξτε στα βήματα για μια από τις μονάδες μειωτήρα στροφών που ακολουθούν.

### Αλυσίδα Μονάδας Μειωτήρα 2:1

Αν ο κινητήρα είναι τοποθετημένος με μια αλυσίδα μονάδας μειωτήρα 2:1 (G, Εικόνα 25), η αλλαγή λαδιού δεν είναι απαραίτητη. Το λάδι στον κινητήρα λιπαίνει και την αλυσίδα της μονάδας μειωτήρα.

### Μειωτήρας Στροφών Λουτρού Ελαίου 2:1

Εάν ο κινητήρας διαθέτει μειωτήρα στροφών λουτρού ελαίου 2:1, προβείτε στις ακόλουθες ενέργειες:

1. Αφαιρέστε τον δείκτη στάθμης λαδιού (A, Εικόνα 26).
2. Αφαιρέστε το πώμα αποστράγγισης λαδιού (B, Εικόνα 26) και αδειάστε το λάδι σε εγκεκριμένο δοχείο.
3. Εγκαταστήστε και σφίξτε το πώμα αποστράγγισης λαδιού (B, Εικόνα 26).
4. Προσθέστε αργά λάδι μέσα από την οπή πλήρωσης λαδιού (C, Εικόνα 26). Βλ. ενότητα **Προδιαγραφές**.
5. Τοποθετήστε τον δείκτη στάθμης (A, Εικόνα 26).
6. Αφαιρέστε τον δείκτη στάθμης (A, Εικόνα 26) και ελέγξτε τη στάθμη του λαδιού. Η σωστή στάθμη λαδιού είναι το πάνω σημείο της ένδειξης πλήρους στάθμης (D) που απεικονίζεται στον δείκτη στάθμης.
7. Τοποθετήστε τον δείκτη στάθμης (A, Εικόνα 26).

### 6:1 Μειωτήρας Στροφών

Εάν ο κινητήρας διαθέτει μειωτήρα στροφών 6:1, προβείτε στις ακόλουθες ενέργειες:

1. Αφαιρέστε το πώμα πλήρωσης λαδιού (A, Εικόνα 27) και το πώμα στάθμης λαδιού (B).
2. Αφαιρέστε το πώμα αποστράγγισης λαδιού (C, Εικόνα 27) και αδειάστε το λάδι σε εγκεκριμένο δοχείο.
3. Εγκαταστήστε και σφίξτε το πώμα αποστράγγισης λαδιού (C, Εικόνα 27).
4. Προσθέστε αργά το λάδι μειωτήρα στροφών (80W-90) μέσα στην οπή πλήρωσης λαδιού (D, Εικόνα 27). Συνεχίστε να προσθέτετε το λάδι μειωτήρα στροφών (80W-90) μέχρι να εξέλθει από την οπή στάθμης λαδιού (E).
5. Επανατοποθετήστε και σφίξτε το πώμα στάθμης λαδιού (B, Εικόνα 27).
6. Επανατοποθετήστε και σφίξτε το πώμα πλήρωσης λαδιού (A, Εικόνα 27).

**ΣΗΜΕΙΩΣΗ:** Το πώμα πλήρωσης λαδιού (A, Εικόνα 27) διαθέτει οπή εξερισμού (F) και πρέπει να τοποθετείται στο επάνω μέρος του καλύμματος του κιβωτίου ταχυτήτων, όπως απεικονίζεται.

## Εκτέλεση εργασιών συντήρησης στο φίλτρο αέρα



### ΠΡΟΕΙΔΟΠΟΙΗΣΗ

**Οι αναθυμιάσεις καυσίμου είναι εύφλεκτες και εκρηκτικές. Πυρκαγιά ή έκρηξη μπορεί να οδηγήσει σε εγκαύματα ή θάνατο.**

- Μην ξεκινάτε και μη θέτετε σε λειτουργία τον κινητήρα όταν έχει αφαιρεθεί το συγκρότημα του φίλτρου αέρα (εφόσον υπάρχει) ή το φίλτρο αέρα (εάν υπάρχει).

### ΕΠΙΣΗΜΑΝΣΗ

Μην χρησιμοποιείτε πεπιεσμένο αέρα ή διαλύτες για να καθαρίσετε το φίλτρο. Ο πεπιεσμένος αέρας μπορεί να προκαλέσει ζημιά στο φίλτρο, ενώ οι διαλύτες θα το διαλύσουν.

Ανατρέξτε στο **Πρόγραμμα συντήρησης** για τις απαιτήσεις σέρβις.

Διαφορετικά μοντέλα θα χρησιμοποιήσουν φίλτρο από αφρώδες υλικό ή χαρτί. Ορισμένα μοντέλα μπορεί επίσης να διαθέτουν προαιρετικό προφίλτρο, το οποίο μπορείτε να καθαρίσετε και να χρησιμοποιήσετε ξανά. Συγκρίνετε τις εικόνες αυτού του εγχειριδίου με τον τύπο φίλτρου που είναι εγκατεστημένος στον κινητήρα σας και ξεκινήστε το σέρβις όπως περιγράφεται στη συνέχεια.

## Χάρτινο φίλτρο αέρα

- Ξεσφίξτε τον(ους) συνδετήρα(ες) (C, Εικόνα 28).
- Αφαιρέστε το κάλυμμα (A, Εικόνα 28) και το φίλτρο (B).
- Για να απομακρύνετε τα υπολείμματα, χτυπήστε ελαφρά το φίλτρο (B, Εικόνα 28) σε σκληρή επιφάνεια. Εάν το φίλτρο είναι λερωμένο, αντικαταστήστε το με καινούριο.
- Τοποθετήστε το φίλτρο αέρα (B, Εικόνα 28).
- Τοποθετήστε το κάλυμμα (A, Εικόνα 28) με τον(ους) συνδετήρα(ες) (C). Βεβαιωθείτε ότι ο(οι) συνδετήρας(ες) είναι σφικτός(οι).

## Χάρτινο φίλτρο αέρα - Μικρής διατομής

- Μετακινήστε τον γάντζο (A, Εικόνα 29) για να απασφαλίσετε το κάλυμμα (C).
- Πιέστε προς τα μέσα τις γλωπίδες (B, Εικόνα 29) και αφαιρέστε το κάλυμμα (C).
- Αφαιρέστε το φίλτρο (D, Εικόνα 29).
- Για να απομακρύνετε τα υπολείμματα, χτυπήστε ελαφρά το φίλτρο (D, Εικόνα 29) πάνω σε μια σκληρή επιφάνεια. Εάν το φίλτρο είναι λερωμένο, αντικαταστήστε το με καινούριο.
- Τοποθετήστε το φίλτρο (D, Εικόνα 29).
- Τοποθετήστε το κάλυμμα (C, Εικόνα 29). Μετακινήστε τον γάντζο (A) στη θέση ασφάλισης.

**ΣΗΜΕΙΩΣΗ:** Ελέγξτε την εφαρμογή της τσιμούχας από αφρώδες υλικό (E, Εικόνα 29). Βεβαιωθείτε ότι η περιμετρική τσιμούχα από αφρώδες υλικό είναι σωστά τοποθετημένη στο κανάλι (F).

## Συντήρηση συστήματος καυσίμου

### ΠΡΟΕΙΔΟΠΟΙΗΣΗ

**Το καύσιμο και οι αναθυμιάσεις είναι εύφλεκτες και εκρηκτικές. Πυρκαγιά ή έκρηξη μπορεί να οδηγήσει σε εγκαύματα ή θάνατο.**

- Το καύσιμο πρέπει να μένει μακριά από σπινθήρες, ανοιχτές φλόγες, φώτα εναύσματος, πηγές θερμότητας και άλλες πηγές ανάφλεξης.
- Ελέγχετε συχνά τις σωληνώσεις καυσίμου, το ρεζερβουάρ καυσίμου, την τάπα του ρεζερβουάρ και τις συνδέσεις για ρωγμές ή διαρροές. Αντικαθιστάτε τα κατεστραμμένα εξαρτήματα.
- Εάν χυθεί καύσιμο, περιμένετε να στεγνώσει πριν θέσετε σε λειτουργία τον κινητήρα.

## Φίλτρο καυσίμου, εάν υπάρχει

- Αφαιρέστε το πώμα ντεπόζιτου καυσίμου (A, Εικόνα 30).
- Αφαιρέστε το φίλτρο καυσίμου (B, Εικόνα 30).
- Εάν το φίλτρο είναι βρόμικο, καθαρίστε ή αντικαταστήστε το. Εάν αντικαταστήσετε το φίλτρο καυσίμου, βεβαιωθείτε ότι χρησιμοποιείτε γνήσιο ανταλλακτικό.

## Αποθήκευση

### Σύστημα καυσίμου

Ανατρέξτε στην Εικόνα: 31.

### ΠΡΟΕΙΔΟΠΟΙΗΣΗ

**Το καύσιμο και οι αναθυμιάσεις είναι εύφλεκτες και εκρηκτικές. Πυρκαγιά ή έκρηξη μπορεί να οδηγήσει σε εγκαύματα ή θάνατο.**

### Αποθήκευση καυσίμου

- Επειδή οι ενδεικτικές λυχνίες ή άλλες πηγές ανάφλεξης μπορούν να προκαλέσουν εκρήξεις, κρατάτε το καύσιμο ή τον εξοπλισμό μακριά από καμίνους, θερμάστρες, θερμοσίφωνες ή άλλες συσκευές που διαθέτουν ενδεικτικές λυχνίες.

Κρατήστε τον κινητήρα σε οριζόντια θέση (κανονική θέση λειτουργίας). Γεμίστε το ρεζερβουάρ καυσίμου (A, Εικόνα 31) με καύσιμο. Για τη διαστολή του καυσίμου, μη γεμίζετε το ρεζερβουάρ καυσίμου πάνω από το στόμιό του (B).

Το καύσιμο μπορεί να ξεθυμάνει όταν διατηρείται σε δοχείο αποθήκευσης για περισσότερες από 30 ημέρες. Συνιστάται η χρήση σταθεροποιητή καυσίμου χωρίς αλκοόλη και ο εμπλουτισμός με αιθυλική αλκοόλη στο δοχείο αποθήκευσης καυσίμου για την αποφυγή αποδόμησης του καυσίμου αλλά και για να διατηρείται φρέσκο.

Όταν γεμίζετε το δοχείο με καύσιμο, προσθέστε σταθεροποιητή καυσίμου χωρίς αλκοόλη, όπως καθορίζεται από τις οδηγίες του κατασκευαστή. Εάν η βενζίνη στον κινητήρα δεν έχει υποστεί επεξεργασία με σταθεροποιητή καυσίμου, πρέπει να αποστραγγιστεί σε εγκεκριμένο δοχείο. Λειτουργήστε τον κινητήρα μέχρι να τελειώσει το καύσιμο.

## Λιπαντικό κινητήρα

Αλλάζετε το λάδι του κινητήρα όταν ο κινητήρας είναι ακόμη ζεστός. Ανατρέξτε στην ενότητα **Αλλαγή του λαδιού κινητήρα**.

## Αντιμετώπιση προβλημάτων

### Βοήθεια

Για βοήθεια, απευθυνθείτε στον τοπικό σας αντιπρόσωπο ή μεταβείτε στο **BRIGGSandSTRATTON.COM** ή καλέστε στο **1-800-444-7774** (στις ΗΠΑ).

## Προδιαγραφές και Ανταλλακτικά

Προδιαγραφές	Μοντέλο: 10V000	Μοντέλο: 12V000
Κυβισμός	10.313 ci (169 cm <sup>3</sup> )	12.387 ci (203 cm <sup>3</sup> )
Διάμετρος κυλίνδρου	2.44 ίντσες (62 χλστ.)	2.677 ίντσες (68 χλστ.)
Διαδρομή εμβόλου	2.204 ίντσες (56 χλστ.)	2.204 in (56 mm)
Χωρητικότητα λαδιού	18 - 20 oz (.54 - .59 λίτρα)	18 - 20 oz (.54 - .59 λίτρα)
Μειωτήρας Στροφών Λουτρού Ελαίου 2:1 - Τύπος Λαδιού	10W-30	10W-30
Μειωτήρας Στροφών Λουτρού Ελαίου 2:1 - Χωρητικότητα Λαδιού	10 oz (.30 λίτρα)	10 oz (.30 λίτρα)
Μειωτήρας στροφών 6:1 - Τύπος Λαδιού	80W-90	80W-90
Μειωτήρας στροφών 6:1 - Χωρητικότητα λαδιού	4 oz (12 λίτρα)	4 oz (12 λίτρα)
Διάκενο μπουζί	.030 ίντσες (.76 χλστ.)	.030 ίντσες (.76 χλστ.)
Ροπή σύσφιξης μπουζί	180 λίβρα-ίντσα (20 Nm)	180 λίβρα-ίντσα (20 Nm)
Διάκενο μεταξύ επαγωγίμου και επαγωγέως	.010 - .013 ίντσες (.25 - .35 χλστ.)	.010 - .013 ίντσες (.25 - .35 χλστ.)
Διάκενο βαλβίδας εισαγωγής	.004 - .006 ίντσες (.10 - .15 χλστ.)	.004 - .006 ίντσες (.10 - .15 χλστ.)
Διάκενο βαλβίδας εξαγωγής	.005 - .007 in (.15 - .20 mm)	.005 - .007 in (.15 - .20 mm)

Προδιαγραφές	Μοντέλο: 25V000
Κυβισμός	24.898 ci (408 cm <sup>3</sup> )
Διάμετρος κυλίνδρου	3.465 ίντσα (88 χλστ.)
Διαδρομή εμβόλου	2.638 in (67 mm)
Μπουλόνι βραχίονα στερέωσης καλωδίου	30 λίβρα-ίντσα (3,4 Nm)
Βίδα συγκρατητή καλωδίου	25 λίβρα-ίντσα (2,8 Nm)
Χωρητικότητα λαδιού	28 - 32 oz (.83 - .95 λίτρα)
Διάκενο μπουζί	.030 in (.76 mm)
Ροπή σύσφιξης μπουζί	180 λίβρα-ίντσα (20 Nm)
Διάκενο μεταξύ επαγωγίμου και επαγωγέως	.010 - .013 ίντσα (.25 - .35 χλστ.)
Διάκενο βαλβίδας εισαγωγής	.004 - .006 in (.10 - .15 mm)
Διάκενο βαλβίδας εξαγωγής	.005 - .007 ίντσα (.15 - .20 χλστ.)

Η ισχύς του κινητήρα μειώνεται κατά 3,5% ανά 1.000 πόδια (300 μέτρα) επάνω από το επίπεδο της θάλασσας και κατά 1% ανά 10°F (5,6°C) επάνω από τους 77°F (25°C). Ο κινητήρας λειτουργεί ικανοποιητικά σε γωνία έως 30°. Για τα επιτρεπόμενα όρια ασφαλούς λειτουργίας σε επικλινές έδαφος, ανατρέξτε στο εγχειρίδιο χειριστή του εξοπλισμού.

### Ανταλλακτικά

Για να αγοράσετε ανταλλακτικά της Briggs & Stratton, βρείτε έναν Εξουσιοδοτημένο αντιπρόσωπο σέρβις στο **BRIGGSandSTRATTON.COM**. Θα χρειαστείτε τον αριθμό αναγνώρισης (μοντέλο - τύπος - επίπεδο εξοπλισμού). Ανατρέξτε στην ενότητα **Χαρακτηριστικά και χειριστήρια** για να βρείτε τον αριθμό αναγνώρισης του κινητήρα σας.

## Ονομαστικές τιμές ισχύος

Η ονομαστική μεκτική ισχύς για μεμονωμένα μοντέλα βενζινοκινητήρων επισημαίνεται στην πινακίδα τους με βάση τον κώδικα J1940 της SAE (Society of Automotive Engineers, Ένωση Μηχανικών Αυτοκινήτων στις ΗΠΑ) για τη διαδικασία καθορισμού της ονομαστικής ισχύος και της ροπής στρέψης μικρών κινητήρων και έχει υπολογιστεί

με βάση τον κώδικα J1995 της SAE. Οι τιμές της ροπής στρέψης προκύπτουν στις 2.600 σ.α.λ. για τους κινητήρες όπου αναγράφονται οι «σ.α.λ.» στην ετικέτα και στις 3.060 σ.α.λ. για όλους τους υπόλοιπους. Οι τιμές ιπποδύναμης προκύπτουν στις 3.600 σ.α.λ. Μπορείτε να δείτε τις καμπύλες μεικτής ισχύος στον ιστότοπο [www.BRIGGSandSTRATTON.COM](http://www.BRIGGSandSTRATTON.COM). Οι τιμές καθαρής ισχύος μετριοούνται μετά την εγκατάσταση της εξάτμισης και του φίλτρου αέρα, ενώ οι τιμές μεικτής ισχύος συλλεγόμενες χωρίς τα εν λόγω προσαρτήματα. Η πραγματική μεικτή ισχύος του κινητήρα θα είναι υψηλότερη από την καθαρή ισχύ και επηρεάζεται, μεταξύ άλλων, από τις συνθήκες του περιβάλλοντος λειτουργίας και από τις διαφορές μεταξύ των κινητήρων. Δεδομένης της ευρείας γκάμας των προϊόντων στα οποία τοποθετούνται οι κινητήρες, ο βενζινοκινητήρας ενδέχεται να μην αναπτύσσει την ονομαστική μεικτή ισχύ όταν χρησιμοποιείται σε συγκεκριμένο ηλεκτροκίνητο εξοπλισμό. Η διαφορά αυτή οφείλεται σε διάφορους παράγοντες, που περιλαμβάνουν, ενδεικτικά, την ποικιλία εξαρτημάτων του κινητήρα (φίλτρο αέρα, εξάτμιση, σύστημα φόρτισης, ψύξης, καρμπυρατέρ, αντλία καυσίμου, κ.λπ.), τους περιορισμούς της εφαρμογής, τις συνθήκες λειτουργίας του περιβάλλοντος (θερμοκρασία, υγρασία, υψόμετρο), καθώς και τη μεταβλητότητα του κινητήρα. Λόγω περιορισμών όσον αφορά στην κατασκευή και τη χωρητικότητα, η Briggs & Stratton μπορεί να αντικαταστήσει τον κινητήρα με κάποιον άλλο υψηλότερης ονομαστικής ισχύος.

## Εγγύηση

### Εγγύηση της Briggs & Stratton® για τους κινητήρες Ισχύει από τον Μάρτιο του 2023

#### Περιορισμένη εγγύηση

Η Briggs & Stratton εγγυάται ότι, κατά τη διάρκεια της περιόδου εγγύησης που καθορίζεται παρακάτω, θα επισκευάσει ή θα αντικαταστήσει, χωρίς καμία χρέωση, με καινούργιο, ανασκευασμένο ή ανακατασκευασμένο εξάρτημα, κατά την αποκλειστικά διακριτική ευχέρεια της Briggs & Stratton, οποιοδήποτε εξάρτημα που θα διαπιστωθεί ότι είναι ελαττωματικό λόγω υλικών ή κακοτεχνίας ή και για τους δύο αυτούς λόγους. Τα έξοδα μεταφοράς για τα προϊόντα που αποστέλλονται για επισκευή ή αντικατάσταση στο πλαίσιο της παρούσας εγγύησης επιβαρύνουν τον αγοραστή. Η παρούσα εγγύηση ισχύει για τα χρονικά διαστήματα και υπό τους όρους που αναφέρονται παρακάτω. Για εργασίες συντήρησης στο πλαίσιο της εγγύησης, βρείτε τον πλησιέστερο Εξουσιοδοτημένο αντιπρόσωπο σέρβις στον χάρτη του Εντοπιστή Αντιπροσώπων στο [BRIGGSandSTRATTON.COM](http://BRIGGSandSTRATTON.COM). Ο αγοραστής πρέπει να επικοινωνήσει με τον εξουσιοδοτημένο αντιπρόσωπο σέρβις και, στη συνέχεια, να του παρουσιάσει το προϊόν για έλεγχο και δοκιμή.

**Δεν υπάρχει άλλη ρητή εγγύηση. Οι σιωπηρές εγγυήσεις, συμπεριλαμβανομένων όσων αφορούν την εμπορευσιμότητα και την καταλληλότητα για συγκεκριμένο σκοπό, περιορίζονται στο ένα έτος από την αγορά ή στον βαθμό που επιτρέπεται από την ισχύουσα νομοθεσία. Όλες οι άλλες σιωπηρές εγγυήσεις εξαιρούνται. Οι ευθύνες για ακούσια ή επακόλουθη ζημιά εξαιρούνται στον βαθμό που επιτρέπεται από την ισχύουσα νομοθεσία.** Ορισμένες πολιτείες ή χώρες δεν επιτρέπουν περιορισμούς όσον αφορά τη διάρκεια των σιωπηρών εγγυήσεων και ορισμένες πολιτείες ή χώρες δεν επιτρέπουν την εξαίρεση ή τον περιορισμό της τυχαιάς ή επακόλουθης ζημιάς και, συνεπώς, ο περιορισμός και η εξαίρεση που προαναφέρονται μπορεί να μην ισχύουν για εσάς. Η παρούσα εγγύηση σας παρέχει ειδικά νομικά δικαιώματα και, ενδεχομένως, και άλλα δικαιώματα που διαφέρουν από πολιτεία σε πολιτεία και από χώρα σε χώρα.

Βασικοί όροι εγγύησης <sup>1, 2</sup>
<b>Vanguard®, Σειρά CXi</b>
Χρήση από τους καταναλωτές - 36 μήνες
Εμπορική χρήση - 36 μήνες
<b>Σειρά XR</b>
Χρήση από τους καταναλωτές - 24 μήνες
Εμπορική χρήση - 24 μήνες
<b>Όλοι οι λοιποί κινητήρες που διαθέτουν χιτώνια από χυτοσίδηρο Dura-Bore™</b>
Χρήση από τους καταναλωτές - 24 μήνες
Εμπορική χρήση - 12 μήνες
<b>Όλοι οι λοιποί κινητήρες</b>
Χρήση από τους καταναλωτές - 24 μήνες
Εμπορική χρήση - 3 μήνες

<sup>1</sup> Αυτοί είναι οι βασικοί όροι εγγύησης που παρέχει η εταιρεία μας αλλά, κατά περίπτωση, ενδέχεται να υπάρχουν πρόσθετες καλύψεις που δεν προσδιορίζονται κατά τη δημοσίευση της εγγύησης. Για τους όρους εγγύησης που ισχύουν για τον κινητήρα σας, ανατρέξτε στην ιστοσελίδα [BRIGGSandSTRATTON.COM](http://BRIGGSandSTRATTON.COM) ή επικοινωνήστε με τον τοπικό Εξουσιοδοτημένο αντιπρόσωπο σέρβις της Briggs & Stratton.

<sup>2</sup> Δεν υπάρχει εγγύηση για κινητήρες σε εξοπλισμό που χρησιμοποιείται για κύρια παροχή ρεύματος αντικαθιστώντας οργανισμό κοινής ωφελείας ή για εφεδρικές γεννήτριες που χρησιμοποιούνται για εμπορικούς σκοπούς, οχήματα γενικής χρήσης άνω των 25 MPH ή κινητήρες που χρησιμοποιούνται σε αγώνες ταχύτητας ή σε επαγγελματικές ή ενοικιαζόμενες πίστες.

Η διάρκεια της εγγύησης ξεκινά από την ημερομηνία αγοράς από τον πρώτο καταναλωτή λιανικού εμπορίου ή από τον τελικό εμπορικό χρήστη και συνεχίζει να ισχύει για τη χρονική περίοδο που αναγράφεται στον παραπάνω πίνακα. «Καταναλωτική χρήση» σημαίνει προσωπική, κατ' οίκον χρήση από καταναλωτή προϊόντων λιανεμπορίου. «Επαγγελματική χρήση» σημαίνει όλες τις άλλες χρήσεις συμπεριλαμβανομένης της χρήσης για επαγγελματικούς και εισοδηματικούς σκοπούς ή σκοπούς ενοικίασης. Εφόσον ένας κινητήρας έχει χρησιμοποιηθεί για επαγγελματικούς σκοπούς, στο πλαίσιο της παρούσας εγγύησης, θα θεωρείται ως κινητήρας επαγγελματικής χρήσης.

**Δεν απαιτείται ειδική εγγραφή για να ισχύσει η εγγύηση στα προϊόντα της Briggs & Stratton. Φυλάξτε την απόδειξη αγοράς. Εάν δεν προσκομίσετε αποδεικτικό της αρχικής αγοράς τη στιγμή της αίτησης για επισκευή βάσει της εγγύησης, ο προσδιορισμός της περιόδου εγγύησης θα βασιστεί στην ημερομηνία κατασκευής του προϊόντος.**

#### Σχετικά με την εγγύηση σας

Αυτή η περιορισμένη εγγύηση καλύπτει ελαττωματικό υλικό ή/και εργασία σε σχέση με τον κινητήρα μόνο και όχι αντικατάσταση ή επιστροφή χρημάτων για το μηχάνημα πάνω στο οποίο ενδέχεται να είναι τοποθετημένος ο κινητήρας. Η τακτική συντήρηση, τα σέρβις, οι ρυθμίσεις και η κανονική φθορά δεν καλύπτονται από αυτή την εγγύηση. Παρομοίως, η εγγύηση δεν έχει εφαρμογή αν έχουν γίνει αλλαγές ή τροποποιήσεις στον κινητήρα ή αν έχει καταστεί δυσανάγνωστος ή έχει αφαιρεθεί ο αριθμός σειράς του κινητήρα. Αυτή η εγγύηση δεν καλύπτει ζημιές ή προβλήματα απόδοσης του κινητήρα που προκλήθηκαν από:

1. Τη χρήση ανταλλακτικών που δεν είναι Briggs & Stratton
2. Τη λειτουργία του κινητήρα με ανεπαρκές, μολυσμένο ή λανθασμένου τύπου λάδι λίπανσης.
3. Η χρήση μολυσμένου ή παλιού καυσίμου, βενζίνης που περιέχει περισσότερο από 10% αιθυλική αλκοόλη ή η χρήση εναλλακτικών καυσίμων όπως υδροποιημένου αερίου πετρελαίου ή φυσικού αερίου σε κινητήρες που δεν έχουν αρχικά σχεδιαστεί/κατασκευαστεί από την Briggs & Stratton για να λειτουργούν με τέτοια καύσιμα.
4. Ακαθαρσίες που ενδέχεται να έχουν διεισδύσει στον κινητήρα λόγω ακατάλληλης συντήρησης ή επανασυναρμολόγησης του φίλτρου αέρα.
5. Χτύπημα αντικειμένου με την κοπτική λεπίδα περιστροφικής μηχανής κουρέματος γρασιδιού ή από ακατάλληλη τοποθέτηση προσαρμογών λεπίδας, φτερωτών ή άλλων διατάξεων που συνδέονται με τον στροφαλοφόρο άξονα ή από υπερβολική σύσφιξη των τραπέζοειδών μάντων.
6. Σχετιζόμενα εξάρτηματα ή συγκροτήματα όπως συμπλέκτες, συστήματα μετάδοσης κίνησης, χειριστήρια εξοπλισμού κ.λπ., τα οποία δεν παρέχονται από την Briggs & Stratton.
7. Υπερθέρμανση λόγω υπολειμμάτων κοπής γρασιδιού, ακαθαρσιών και υπολειμμάτων ή λόγω φωλιών τρωκτικών που προκαλούν απόφραξη ή περιορισμό ροής στα περυσία ψύξης ή στην περιοχή σφονδύλου ή σε λειτουργία του κινητήρα χωρίς επαρκή αερισμό.
8. Υπερβολικούς κραδασμούς λόγω υπερβολικής ταχύτητας λειτουργίας, λασκαρισμένης βάσης κινητήρα, λασκαρισμένων ή εκτός ζυγοστάθμισης κοπτικών λεπίδων ή φτερωτών ή ακατάλληλης σύςφραξης μερών του εξοπλισμού με τον στροφαλοφόρο άξονα.
9. Κακή χρήση, έλλειψη τακτικής συντήρησης, αποστολή, χειρισμό ή αποθήκευση εξοπλισμού ή ακατάλληλη εγκατάσταση του κινητήρα.

Το σέρβις στα πλαίσια της εγγύησης είναι διαθέσιμο μόνο μέσω των Εξουσιοδοτημένων αντιπροσώπων σέρβις της Briggs & Stratton. Βρείτε τον πλησιέστερο Εξουσιοδοτημένο αντιπρόσωπο σέρβις στον χάρτη του Εντοπιστή Αντιπροσώπων στην [BRIGGSandSTRATTON.COM](http://BRIGGSandSTRATTON.COM) ή καλώντας το 1-800-444-7774 (στις ΗΠΑ).

80114782 (Αναθεώρηση Β)

## Briggs & Stratton Emissions Warranty

#### Manufacturer's Warranty Coverage:

The exhaust emissions control system on your engine is warranted for two years. If any emissions-related part on your engine is defective, the part will be repaired or replaced by B&S.

#### Owner's Warranty Responsibilities:

- As the engine owner, you are responsible for the performance of the required maintenance listed in your owner's manual. B&S recommends that you retain all receipts covering maintenance on your engine, but B&S cannot deny warranty coverage solely for the lack of receipts or for your failure to ensure the performance of all scheduled maintenance.
- As the engine owner, you should however be aware that B&S may deny you warranty coverage if your engine or a part has failed due to abuse, neglect, or improper maintenance or unapproved modifications.
- You are responsible for presenting your engine to a B&S distribution center or service center as soon as the problem exists. The warranty repairs shall be completed in a reasonable amount of time, not to exceed 30 days. If you have a question regarding your warranty rights and responsibilities, you should contact B&S at 1-800-444-7774 (in USA) or [BRIGGSandSTRATTON.COM](http://BRIGGSandSTRATTON.COM).

Not for  
Reproduction



## Información general



Este manual contiene información de seguridad sobre los peligros y riesgos relacionados con el motor y cómo prevenirlos. También contiene el correcto funcionamiento y mantenimiento de este motor. Es importante que lea, comprenda y obedezca estas instrucciones. **Guarde este manual para referencia futura.**

**NOTA:** Las figuras y las ilustraciones en este manual son proporcionadas única y exclusivamente como información y pueden diferir de su modelo específico. Utilice las figuras que corresponden a la configuración de su motor. Si es necesario, hable con un distribuidor de servicio técnico autorizado.

Registre la fecha de compra, el modelo del motor, el tipo, la versión y el número de serie del motor para las piezas de recambio. Estos números se encuentran en su motor. Consulte la sección **Características y controles**.

Fecha de compra	
Modelo - Tipo - Código	
Número de serie de la unidad	

## Información de contacto de la oficina europea

Si tiene preguntas sobre las emisiones europeas, póngase en contacto con nuestra oficina de Europa en:

Max-Born-Straße 2, 68519 Viernheim, Alemania.

## Fase V (5) de la Unión Europea (UE): Valores de dióxido de carbono (CO<sub>2</sub>)

Los valores de dióxido de carbono de los motores de Briggs & Stratton con certificado de aprobación de la UE se pueden encontrar introduciendo CO<sub>2</sub> en la ventana de búsqueda de BriggsandStratton.com.

## Seguridad del operario

### Símbolo de alerta de seguridad y palabras de señalización



El símbolo de aviso de seguridad se usa para identificar información de seguridad acerca de los peligros que pueden producir lesiones corporales. Se acompaña el símbolo con una palabra (**PELIGRO**, **ADVERTENCIA** o **PRECAUCIÓN**) para indicar la probabilidad de una lesión y su potencial gravedad. Además, se puede usar un símbolo de peligro para representar el tipo de peligro.

**PELIGRO** indica un peligro que, si no se evita, **puede** causar la muerte o lesiones graves.

**ADVERTENCIA** indica un peligro que, si no se evita, **podría** causar la muerte o lesiones graves.

**PRECAUCIÓN** indica un peligro que, si no se evita, **podría** provocar lesiones menores o moderadas.

**AVISO** indica información considerada importante, pero no relacionada con el riesgo.

## Símbolos de peligro y sus significados

	Información de seguridad acerca de los peligros que pueden provocar lesiones corporales.		Lea atentamente el Manual de instrucciones antes de operar la unidad o de realizar alguna operación de servicio.
	Peligro de incendio		Peligro de explosión
	Riesgo de descarga		Peligro de gases tóxicos
	Riesgo de superficies calientes		Riesgo de contragolpe



Riesgo de amputación - piezas en movimiento



Nivel de combustible - Máximo  
No llene el depósito en exceso

## Mensajes de seguridad



### ADVERTENCIA

Los motores Briggs & Stratton® no han sido diseñados ni están destinados para su uso con karts para diversión/recreo, vehículos todoterreno para uso en eventos competitivos (ATV); motocicletas; productos para aviación o vehículos para uso en eventos competitivos no autorizados por Briggs & Stratton. Para información sobre productos para eventos competitivos, consulte [www.briggsracing.com](http://www.briggsracing.com). Para su uso con vehículos utilitarios y todoterreno side-by-side, póngase en contacto con Briggs & Stratton Power Application Center, 1-866-927-3349. El uso incorrecto de un motor puede ocasionar la muerte o lesiones graves.

## Información de reciclaje



Recicle todos los cartones, cajas, aceite usado y baterías conforme a lo especificado por la normativa gubernamental.

## Características y controles

### Controles del motor

Compare las letras indicadas en las Figuras 1, 2 y 3 con los controles del motor de la siguiente lista:

- Números de identificación del motor **Modelo - Tipo - Código**
- Bujía
- Tanque de combustible y tapón
- Filtro de aire
- Manilla de la cuerda del motor de arranque
- Varilla indicadora de nivel de aceite
- Llenado de aceite
- Tapón de drenaje de aceite
- Silenciador, protector del silenciador (si está instalado), apagachispas (si está instalado)
- Control del acelerador/llave de paso del combustible/TransportGuard®
- Control del estrangulador
- Rejilla de entrada de aire
- Arranque eléctrico (si está instalado)
- Reductor de engranajes (si están instalados)

Algunos motores y equipos tienen controles remotos. Consulte el manual del equipo para conocer la ubicación y el funcionamiento de los mandos a distancia.

## Símbolos de control del motor y su significado

	Velocidad del motor - RÁPIDO		Velocidad del motor - DESPACIO
	Velocidad del motor - PARAR		ENCENDIDO - APAGADO
	Arranque del motor Estárter CERRADO		Arranque del motor Estárter ABIERTO
	Tapa del depósito de combustible Válvula de cierre de combustible - ABIERTA		Válvula de cierre de combustible - CERRADA

# Montaje

## Conversión del control del acelerador

El motor estándar dispone de un control del acelerador manual. Para accionar el control manual del acelerador, instale un control remoto del acelerador o conviértalo a una velocidad fija. Consulte las instrucciones siguientes.

**NOTA:** La velocidad del motor debe ser correcta según lo establecido en las especificaciones de rendimiento del fabricante del equipo. Póngase en contacto con el Centro de servicio autorizado Briggs & Stratton para recibir asistencia.

### Control manual del acelerador

1. Mueva la palanca de control del acelerador/TransportGuard® (A, Figura 4) a la posición APAGADO.
2. Retire el muelle (S, Figura 4).

### Control remoto del acelerador con cable trenzado

Se puede instalar un control remoto del acelerador con cable trenzado en una de dos direcciones: **dirección de la culata** o **dirección delantera**.

#### Dirección de la culata

1. Mueva la palanca de control del acelerador/TransportGuard™ (A, Figura 5) a la posición APAGADO.
2. Con una llave de 10 mm, afloje media vuelta la tuerca (P, Figura 5) de la palanca de control del acelerador/TransportGuard® (A).
3. Ajuste la tuerca de montaje del cable (J, Figura 6) con una llave de 10 mm y afloje el tornillo (K).
4. Haga pasar el cable (L, Figura 6) a través del orificio de la tuerca de montaje del cable (J) y apriete el tornillo (K). Compruebe que el cable (L) no sobresale del orificio más de ½ pulg (12,7 mm).
5. Afloje el tornillo (I, Figura 6). Ajuste el manguito del cable (N) debajo de la abrazadera del cable (M) y apriete el tornillo (I).
6. Compruebe el funcionamiento del control remoto del acelerador. Mueva el control remoto del acelerador de la posición lenta a la rápida 2-3 veces. Asegúrese de que el control remoto del acelerador y el cable (L, Figura 6) se mueven libremente. Ajuste la tuerca (P, Figura 7) según sea necesario para la posición especificada.

#### Dirección delantera

1. Ajuste la palanca de control del acelerador / TransportGuard™:
  - a. **Para los modelos de motor 10V000 y 12V000:** Mueva la palanca de control del acelerador/TransportGuard® (A, Figura 8) a la posición RÁPIDO.
  - b. **Para modelos de motor 25V000:** Mueva la palanca de control del acelerador / TransportGuard™ (A, Figura 8) a la posición APAGADO.
2. Con una llave de 10 mm, afloje media vuelta la tuerca (P, Figura 7) de la palanca de control del acelerador/TransportGuard® (A).
3. Ajuste la tuerca de montaje del cable (J, Figura 8) con una llave de 10 mm y afloje el tornillo.
4. Haga pasar el cable (L, Figura 8) a través del orificio de la tuerca de montaje del cable (J) y apriete el tornillo (K). Compruebe que el cable (L) no sobresale del orificio más de ½ pulg (12,7 mm).
5. Afloje el tornillo (I, Figura 8). Ajuste el manguito del cable (N) debajo de la abrazadera (M) y apriete el tornillo (I).
6. Compruebe el funcionamiento del control remoto del acelerador. Mueva el control remoto del acelerador de la posición lenta a la rápida 2-3 veces. Asegúrese de que el control remoto del acelerador y el cable (L, 8) se mueven libremente. Ajuste la tuerca (P, Figura 7) según sea necesario para la posición especificada.

### Control remoto del acelerador con cable rígido

Se puede instalar un control remoto del acelerador con cable rígido en una de las cuatro direcciones: **dirección de la culata**, **dirección delantera**, **dirección izquierda** o **dirección derecha**.

#### Dirección de la culata

1. Mueva la palanca de control del acelerador/TransportGuard® (A, Figura 9) a la posición APAGADO.
2. Retire el muelle (S, Figura 9).
3. Mueva la palanca de control del acelerador/TransportGuard® (A, Figura 9) a la posición RÁPIDO.
4. Con una llave de 10 mm, afloje media vuelta la tuerca (P, Figura 4) de la palanca de control del acelerador/TransportGuard® (A).
5. Instale el conector en Z del cable sólido (Q, Figura 9) en cualquiera de los pequeños orificios de la palanca acodada (R).

6. Afloje el tornillo (I, Figura 9). Ajuste el manguito del cable (N) debajo de la abrazadera del cable (M) y apriete el tornillo (I).
7. Compruebe el funcionamiento del control remoto del acelerador. Mueva el control remoto del acelerador de la posición lenta a la rápida 2-3 veces. Asegúrese de que el control remoto del acelerador y el cable (L, Figura 9) se mueven libremente. Ajuste la tuerca (P, Figura 4) según sea necesario para la posición especificada.

#### Dirección delantera

1. Mueva la palanca de control del acelerador/TransportGuard® (A, Figura 10) a la posición APAGADO.
2. Retire el muelle (S, Figura 10).
3. Mueva la palanca de control del acelerador/TransportGuard® (A, Figura 10) a la posición RÁPIDO.
4. Con una llave de 10 mm, afloje media vuelta la tuerca (P, Figura 4) de la palanca de control del acelerador/TransportGuard® (A).
5. Instale el conector en Z del cable sólido (Q, Figura 10) en uno de los dos pequeños orificios de la palanca acodada (R).
6. Afloje el tornillo (I, Figura 10). Ajuste el manguito del cable (N) debajo de la abrazadera (M) y apriete el tornillo (I).
7. Compruebe el funcionamiento del control remoto del acelerador. Mueva el control remoto del acelerador de la posición lenta a la rápida 2-3 veces. Asegúrese de que el control remoto del acelerador y el cable (L, Figura 10) se mueven libremente. Ajuste la tuerca (P, Figura 4) según sea necesario para la posición especificada.

#### Dirección izquierda

1. Mueva la palanca de control del acelerador/TransportGuard® (A, Figura 11) a la posición APAGADO.
2. Retire el muelle (S, Figura 4).
3. Mueva la palanca de control del acelerador/TransportGuard® (A, Figura 11) a la posición RÁPIDO.
4. Con una llave de 10 mm, afloje media vuelta la tuerca (P, Figura 4) de la palanca de control del acelerador/TransportGuard® (A, Figura 11).
5. Retire la perilla de control del acelerador (W, Figura 11) para llevar al agujerito (S).
6. Instale el conector en Z del cable sólido (L, Figura 11) en el pequeño orificio (S) de la palanca de control del acelerador (A).
7. Afloje el tornillo (I, Figura 11). Ajuste el manguito del cable (N) debajo de la abrazadera (M) y apriete el tornillo (I).
8. Compruebe el funcionamiento del control remoto del acelerador. Mueva el control remoto del acelerador de la posición lenta a la rápida 2-3 veces. Asegúrese de que el control remoto del acelerador y el cable (L, Figura 11) se mueven libremente. Ajuste la tuerca (P, Figura 4) según sea necesario para la posición especificada.

#### Dirección derecha

Para instalar un control remoto del acelerador desde la dirección derecha, es necesario un soporte de montaje (U, Figura 12). Consulte la sección **Piezas de repuesto y especificaciones** para el número de pieza. Si desea adquirir un soporte de montaje de cable, póngase en contacto con el Centro de servicio autorizado de Briggs & Stratton.

1. Mueva la palanca de control del acelerador/TransportGuard® (A, Figura 12) a la posición APAGADO.
2. Retire el muelle (S, Figura 4).
3. Retire la perilla de control del acelerador (W, Figura 12) para que se pueda ver el agujerito (S).
4. Mueva la palanca de control del acelerador/TransportGuard® (A, Figura 12) a la posición RÁPIDO.
5. Con una llave de 10 mm, afloje media vuelta la tuerca (P, Figura 4) de la palanca de control del acelerador/TransportGuard® (A, 12).
6. Instale el conector en Z del cable sólido (L, Figura 12) en el pequeño orificio (S) de la palanca de control del acelerador (A).
7. Desmonte el tornillo (T, Figura 12). Instale el soporte de montaje del cable (U) como se muestra. Fije el soporte de montaje del cable (U) con el tornillo (T). Apriete el tornillo (T) a 30 lb-pulg (3,4 Nm). Consulte la sección **Piezas de repuesto y especificaciones**.
8. Afloje el tornillo (I, Figura 12). Ajuste el manguito del cable (N) debajo de la abrazadera (M) y apriete el tornillo (I).
9. Revise el funcionamiento del control remoto del acelerador. Mueva el control remoto del acelerador de la posición lenta a la rápida 2-3 veces. Asegúrese de que el control remoto del acelerador y el cable (L, Figura 12) se mueven libremente. Ajuste la tuerca (P, Figura 4) según sea necesario para la posición especificada.

### Velocidad del motor fija (Sin cable de control del acelerador)

Una vez realizada la conversión a **Velocidad del motor fija**, no se instala ningún cable de control del acelerador ni hay ninguna selección de velocidad. La única velocidad del motor es RÁPIDO.

1. Mueva la palanca de control del acelerador/TransportGuard® (A, Figura 13) a la posición APAGADO.
2. Retire el muelle (S, Figura 13).
3. Mueva la palanca de control del acelerador/TransportGuard® (A, Figura 13) a la posición RÁPIDO.
4. Cerciórese de que el tornillo retenedor del cable (V, Figura 13) esté alineado con el orificio correspondiente del soporte. Apriete el tornillo (V) a 25 lb-pulg (2,8 Nm).
5. Retire el enlace de control (H, Figura 13).

**NOTA:** En este momento, la palanca de control del acelerador/TransportGuard® tendrá dos posiciones únicamente: PARADA (STOP)/DESCONEXIÓN (OFF) y MARCHA (RUN).

6. Instale la nueva etiqueta de ENCENDIDO/APAGADO del TransportGuard® (O, Figura 14) sobre la etiqueta de control de velocidad existente en el panel de revestimiento (F).

## Funcionamiento



**ADVERTENCIA**  
Los vapores de combustible son inflamables y sus vapores son explosivos. Un incendio o una explosión podría provocar quemaduras o la muerte.

### Si huele a gas

- No arranque el motor.
- No encienda ningún interruptor eléctrico.
- No use un teléfono cerca.
- Evacúe la zona.
- Póngase en contacto con el departamento de bomberos.

### Cuando ponga en funcionamiento el equipo

- No incline el motor o el equipo con un ángulo que pueda ocasionar derrames de combustible.

### Cuando mueva el equipo de ubicación

- Asegúrese de que el depósito de combustible esté VACÍO o de que la válvula de cierre de combustible, si está instalada, esté en la posición de CERRADA.

## Verifique el nivel de aceite

### Antes de comprobar el nivel de aceite o de añadir aceite

- Cerciórese de que la unidad esté nivelada.
- Limpie la suciedad que exista en el área de llenado del aceite.
- Consulte la sección **Especificaciones** para conocer la capacidad de almacenamiento de aceite.

### AVISO

Briggs & Stratton envía este producto sin aceite. Es posible que los fabricantes de equipo o los distribuidores hayan añadido aceite al motor. Antes de arrancar el motor por primera vez, asegúrese de que el nivel de aceite sea correcto. Añada aceite conforme a lo especificado en las instrucciones de este manual. Si arranca el motor sin aceite, quedará dañado sin opción a reparación y no estará cubierto por la garantía.

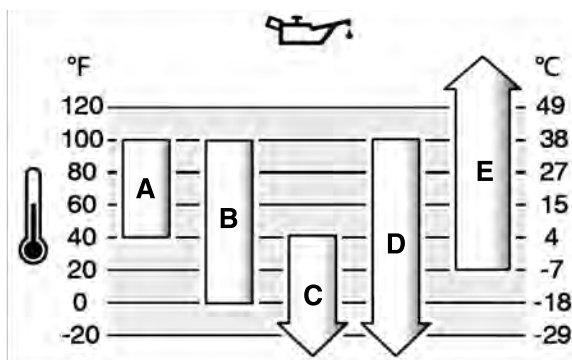
1. Saque la varilla indicadora de nivel de aceite (A, Figura 15) y límpiela con un trapo.
2. Coloque y apriete la varilla medidora de aceite (A, Figura 15).
3. Saque la varilla indicadora de nivel y compruebe el nivel del aceite. Compruebe que el nivel de aceite se encuentre en la parte superior de la señal indicadora de lleno (B, Figura 15) de la varilla.
4. El motor tiene dos orificios de llenado de aceite (C, G, Figura 16). Si el nivel del aceite está bajo, añada lentamente aceite por los orificios de llenado de aceite del motor (C, G). No agregue demasiado aceite. Después de añadir aceite, espere un minuto y vuelva a comprobar el nivel del aceite. Asegúrese de que el nivel de aceite sea correcto.
5. Coloque y apriete la varilla medidora de aceite (A, Figura 15).

## Recomendaciones sobre aceite

**Capacidad de aceite:** Consulte la sección **Especificaciones**.

Recomendamos el uso de aceites Briggs & Stratton® con garantía certificada para un mejor rendimiento. Están permitidos otros aceites detergentes de alta calidad si están clasificados para servicio SF, SG, SH, SJ o superior. No use aditivos especiales.

Use la tabla para seleccionar la mejor viscosidad para el margen de temperatura exterior que se espera. Los motores de la mayoría de equipos eléctricos de exterior funcionan bien con el aceite sintético 5W-30. Para el uso de equipos en temperaturas altas, el aceite sintético Vanguard® 15W-50 ofrece la mejor protección.



A	SAE 30: por debajo de los 40 °F (4 °C), el uso de SAE 30 provocará dificultades para arrancar.
B	10W-30: por encima de los 80 °F (27 °C), el uso de 10W-30 puede provocar un aumento en el consumo de aceite. Compruebe el nivel de aceite con frecuencia.
C	5W-30
D	Sintético 5W-30
E	Vanguard® sintético 15W-50

## Sistema de protección de aceite bajo (si está instalado)

Algunos motores tienen instalado un sensor de nivel bajo de aceite. Si el nivel de aceite está bajo, el detector mostrará una luz de advertencia o parará el motor. Pare el motor y realice estas operaciones antes de volver a arrancar el motor.

- Cerciórese de que la unidad esté nivelada.
- Compruebe el aceite. Consulte la sección **Comprobar nivel de aceite**.
- Si el nivel está bajo, añada la cantidad adecuada de aceite. Arranque el motor y asegúrese de que no se encienda la luz de advertencia (si está instalada).
- No arranque el motor si el nivel de aceite es demasiado bajo. Para corregir el problema del aceite, consulte a un distribuidor de servicio técnico autorizado de Briggs & Stratton.

## Recomendaciones sobre combustible

El combustible debe cumplir estos requisitos:

- Gasolina limpia, fresca y sin plomo.
- Un mínimo de 87 octanos u 87 AKI (91 RON). Para usos en altitudes altas, véase abajo.
- Admite gasolina con hasta un 10 % de etanol (gasohol).

### AVISO

No utilice gasolina no aprobada, como E15 y E85. No haga mezclas de aceite y gasolina ni realice modificaciones en el motor para hacerlo funcionar con combustibles alternativos. El uso de combustibles no aprobados provocará daños en los componentes del motor, lo que no está cubierto por la garantía.

Para proteger el sistema de combustible de la formación de goma y la corrosión, mezcle un estabilizador de combustible sin alcohol y un tratamiento con etanol en el combustible. Consulte la sección **Almacenamiento**. No todos los combustibles son iguales. Si se producen problemas de arranque o de rendimiento, cambie el proveedor o la marca del combustible. Este motor está certificado para funcionar con gasolina. El sistema de control de emisiones para motores carburados es EM (Modificaciones del motor). Los sistemas de control de emisiones para motores con inyección electrónica de combustible son ECM (Módulo de control del motor), MFI (Inyección de combustible multipuerto), TBI (Inyección de combustible del cuerpo del acelerador) y, si está equipado, un O2S (Sensor de oxígeno).

### Gran altura

A altitudes superiores a los 5000 pies (1524 metros), es aceptable usar gasolina con un mínimo de 85 octanos/85 AKI (89 RON).

Para motores carburados, se requiere realizar el ajuste de gran altura para mantener el rendimiento. Sin este ajuste, el generador perderá rendimiento y aumentarán el consumo de combustible y las emisiones. Póngase en contacto con un Distribuidor de Servicio Autorizado por Briggs & Stratton para obtener información sobre el ajuste de gran altura. No se recomienda hacer funcionar el motor con el ajuste para grandes alturas a altitudes inferiores a los 762 metros (2.500 pies).

Para motores de inyección electrónica de combustible (EFI, por sus siglas en inglés), no es necesario realizar ningún ajuste de gran altura.

## Adición de combustible



### ADVERTENCIA

El combustible y sus vapores son extremadamente inflamables y explosivos. Un incendio o una explosión podría provocar quemaduras o la muerte.

#### Cuando añada combustible

- Pare el motor. Antes de quitar el tapón de combustible, espere un mínimo de dos (2) minutos para asegurarse de que el motor se haya enfriado.
  - Rellene el depósito de combustible al aire libre, en un área con buena ventilación.
  - No eche demasiado combustible en el depósito. Para permitir que el combustible se expanda, no llene el depósito por encima de la parte inferior del cuello del depósito de combustible.
  - Mantenga el combustible alejado de chispas, llamas abiertas, pilotos, calor y otras fuentes de ignición.
  - Compruebe con frecuencia las mangueras de combustible, el depósito de combustible, el tapón de combustible y las conexiones por si presentaran grietas o hubiera fugas. Sustituya las piezas dañadas.
  - Si se derrama combustible, espere hasta que se seque para arrancar el motor.
1. Limpie la suciedad y los desechos en el área de la tapa de llenado de combustible. Retire la tapa del combustible.
  2. Llene de combustible (A, Figura 17) el depósito de combustible. Puesto que la gasolina se expande, no llene el depósito por encima de la parte inferior del cuello del depósito de combustible (B).
  3. Coloque la tapa de llenado de combustible.

## Arranque el motor



### ADVERTENCIA

**PELIGRO DE GAS TÓXICO.** Los gases de escape del motor contienen monóxido de carbono, un gas tóxico que puede matar en cuestión de minutos. Aunque no pueda oler los gases de escape, podría estar expuesto a monóxido de carbono. Si comienza a sentirse mal, mareado o débil cuando use este producto, apáguelo y busque aire fresco INMEDIATAMENTE. Viste a un médico. Es posible que se haya intoxicado con monóxido de carbono.

- En los espacios ocupados puede acumularse gas de monóxido de carbono. Utilice este producto EXCLUSIVAMENTE en el exterior, lejos de puertas, ventanas y respiraderos, a fin de reducir el riesgo de que el monóxido de carbono.
- Instale alarmas de monóxido de carbono que funcionen con baterías o alarmas de monóxido de carbono enchufables con batería de seguridad de acuerdo con las instrucciones del fabricante. Las alarmas de incendios no pueden detectar gas de monóxido de carbono.
- NO utilice este producto dentro de casas, garajes, sótanos, cámaras, galpones u otros espacios parcialmente cerrados incluso si está usando ventiladores o las puertas y ventanas están abiertas para ventilación. Después de haber utilizado este producto, puede acumularse rápidamente monóxido de carbono en estos espacios y permanecer allí durante horas.
- Coloque SIEMPRE este producto a favor del viento y dirija el escape del motor alejado de espacios ocupados.



### ADVERTENCIA

El combustible y sus vapores son extremadamente inflamables y explosivos. Un incendio o una explosión podría provocar quemaduras o la muerte.

#### Cuando arranque el motor

- Asegúrese de que la bujía, el silenciador, la tapa del depósito de combustible y el filtro de aire (si se incluye) estén correctamente instalados.
- No encienda el motor con la bujía retirada.
- Si el motor se ha ahogado, establezca el estrangulador (si se incluye) en la posición ABRIR o MARCHA. Mueva el acelerador (si se incluye) a la posición RÁPIDO e intente arrancar el motor hasta que lo consiga.
- Si hay una pérdida de gas natural o gas LP en el área, no arranque el motor.
- No use líquidos de estérter presurizados, ya que los vapores son inflamables.



### ADVERTENCIA

Pies, manos, pelo, ropa o accesorios pueden quedar atrapados en las piezas giratorias y provocar laceraciones o amputaciones traumáticas.

- No utilice el equipo sin las protecciones correctamente instaladas.
- Mantenga las manos y los pies lejos de las partes rotativas.
- Quítese las joyas y no acerque el pelo largo a las piezas giratorias.
- No lleve ropa suelta ni prendas que puedan quedarse atrapadas.



### ADVERTENCIA

La retracción rápida o el cable del estérter (Kickback) llevan la mano y el brazo hacia el motor más rápido de lo que usted puede controlar. Puede romperse los huesos y sufrir moratones o esguinces.

- Cuando arranque el motor, tire lentamente del cable de arranque hasta que sienta resistencia y empuje rápidamente para evitar el retroceso rápido.
- Desmonte o desconecte todo el equipo externo/cargas del motor antes de arrancar el motor.
- Los componentes del equipo de acoplamiento directo como (entre otros) cuchillas, impulsores, poleas, ruedas dentadas, etc., deben estar bien fijados.

**NOTA:** Su equipo podría contar con controles remotos. Consulte el manual del equipo para conocer la ubicación y el funcionamiento de los controles remotos.

1. Compruebe el aceite del motor. Consulte la sección **Comprobar nivel de aceite**.
2. Asegúrese de que los controles de mando del equipo, si se incluyen, estén desconectados.
3. Mueva la palanca de control del acelerador/TransportGuard® (A, Figura 18), si la hubiera, a la posición RÁPIDO o MARCHA. Accione el motor en la posición RÁPIDO o MARCHA.
4. Mueva el control del estrangulador (B, Figura 18) a la posición CERRADO.

Normalmente no es necesario estrangular el motor cuando se vuelve a arrancar un motor caliente.

5. **Arranque retráctil, si llevara:** Sostenga firmemente la manija del cable del estérter (C, Figura 18). Tire de la manija del cable del estérter lentamente hasta que sienta resistencia, y luego, tire rápidamente.



### ADVERTENCIA

La retracción rápida o el cable del estérter (Kickback) llevan la mano y el brazo hacia el motor más rápido de lo que usted puede controlar. Puede romperse los huesos y sufrir moratones o esguinces.

- Cuando arranque el motor, tire lentamente del cable de arranque hasta que sienta resistencia y empuje rápidamente para evitar el retroceso rápido.
- Desmonte o desconecte todo el equipo externo/cargas del motor antes de arrancar el motor.
- Los componentes del equipo de acoplamiento directo como (entre otros) cuchillas, impulsores, poleas, ruedas dentadas, etc., deben estar bien fijados.

6. **Arranque eléctrico, si está equipado:** Ponga el interruptor de arranque eléctrico (D, Figura 18) en posición ARRANCAR.

### AVISO

Para prolongar la vida del estérter, utilice ciclos de arranque cortos (máximo de cinco segundos). Espere un minuto entre ciclos de arranque.

7. Al ir calentándose el motor, mueva el control del estrangulador (B, Figura 18) a la posición ABIERTO.

Si el motor no arranca después de 2 o 3 intentos, póngase en contacto con su distribuidor, vaya a [vanguardpower.com](http://vanguardpower.com) o llame a 1-800-999-9333 (en EE. UU.).

## Detenga el motor



### ADVERTENCIA

El combustible y sus vapores son extremadamente inflamables y explosivos. Un incendio o una explosión podría provocar quemaduras o la muerte.

- No cebe el carburador (si se incluye) para detener el motor.

**Control del acelerador/TransportGuard®:** Mueva la palanca de control del acelerador/TransportGuard® (A, Figura 19) a la posición APAGADO o PARAR.

**NOTA:** Cuando el control del acelerador/TransportGuard® (A, Figura 19) está en la posición APAGADO o PARAR, la válvula de combustible está en la posición APAGADO. Mueva siempre el control del acelerador/TransportGuard® a la posición APAGADO o PARAR durante el transporte del equipo.

**NOTA:** La llave (D, Figura 19) no para el motor. La llave SOLO arranca el motor. Saque siempre la llave (D) y guárdela en un lugar seguro lejos del alcance de los niños.

## Mantenimiento

### Información de mantenimiento



**ADVERTENCIA**  
El combustible y sus vapores son extremadamente inflamables y explosivos. Un incendio o una explosión podría provocar quemaduras o la muerte.

Si, durante las tareas de mantenimiento es necesario inclinar la unidad, asegúrese de que el depósito de combustible, si va montado en el motor, esté vacío y de que la bujía esté boca arriba. Si el depósito de combustible no está vacío, podría haber una fuga de combustible y provocar un incendio o una explosión. Si el motor se inclina en una dirección distinta, experimentará dificultades para arrancar debido a la contaminación por aceite o por combustible del filtro de aire o de la bujía.



**ADVERTENCIA**  
Una chispa accidental del motor puede provocar una descarga eléctrica, un incendio o una explosión que pueden producir atrapamiento, amputación traumática o laceración.

**Antes de efectuar ningún ajuste o reparación:**

- Desconecte todos los cables de las bujías y manténgalos alejados de las bujías.
- Desconecte el cable de batería del terminal negativo (solo se aplica a motores con arranque eléctrico).
- Utilice solo las herramientas adecuadas.

**Cuando compruebe las chispas:**

- Use un probador de bujías aprobado.
- No revise la chispa si la bujía no está en su sitio.



**ADVERTENCIA**  
Todos los componentes utilizados para montar este motor deben permanecer en la posición inicial para un correcto funcionamiento. Se pueden producir daños y lesiones si utiliza piezas incorrectas o no cambia todas las piezas del motor.

- Las piezas de reemplazo deben ser del mismo modelo e instalarse en la misma posición que las piezas originales.
- Si está instalado, no cambie el resorte del regulador, los eslabones u otras piezas para aumentar la velocidad del motor.

**AVISO**

Todos los componentes utilizados para la fabricación de este motor deben estar montados para un funcionamiento correcto.

Consulte con un distribuidor de servicio técnico autorizado Briggs & Stratton para todas las operaciones de mantenimiento y servicio del motor y de sus piezas.

## Servicio de control de emisiones

Para servicio de mantenimiento, sustitución o reparación de dispositivos y sistemas de control de emisiones, póngase en contacto con un taller de reparaciones o un servicio técnico de motores fuera de carretera cualificado. Sin embargo, si necesita un servicio de control de emisiones "sin coste", debe recurrir a un distribuidor autorizado de fábrica. Consulte la garantía del control de emisiones.

## Programa de mantenimiento

<b>Primeras 5 horas</b>
<ul style="list-style-type: none"> <li>• Cambie el aceite.</li> </ul>
<b>Intervalos de 8 horas o diario</b>
<ul style="list-style-type: none"> <li>• Compruebe el nivel de aceite del motor.</li> <li>• Limpiar el área alrededor del silenciador y los controles.</li> <li>• Limpiar la rejilla de la toma de aire.</li> </ul>
<b>Intervalos de 100 horas o anualmente</b>
<ul style="list-style-type: none"> <li>• Realice el mantenimiento del sistema de escape.</li> <li>• Cambie el aceite en el reductor (si está instalado).</li> </ul>
<b>Intervalos de 200 horas o anualmente</b>

- Cambie el aceite del motor.
- Limpiar el filtro de aire<sup>1</sup>

### Intervalos de 600 horas o 3 años

- Cambie el filtro de aire.

### Anualmente

- Cambiar la bujía.
- Realizar el mantenimiento del sistema de combustible.
- Realizar el mantenimiento del sistema de refrigeración<sup>1</sup>.
- Comprobar la holgura de las válvulas<sup>2</sup>.

<sup>1</sup>Limpie con más frecuencia en condiciones de mucho polvo o cuando haya muchas partículas en el aire.

<sup>2</sup>No es necesario a menos que se produzcan problemas de rendimiento en el motor.

## Carburador y velocidad del motor

No realice ajustes en el carburador, el resorte del regulador, las conexiones u otras piezas para ajustar la velocidad del motor. Si necesitara algún ajuste, contacte con un distribuidor de servicio técnico autorizado de Briggs & Stratton para el servicio.

**AVISO**

El fabricante del equipo especifica la velocidad máxima del motor instalado en el equipo. No supere esta velocidad. Si no sabe cuál es la velocidad máxima del motor, o cómo se ha ajustado esta en fábrica, contacte con un distribuidor de servicio técnico autorizado de Briggs & Stratton para solicitar ayuda. Para un funcionamiento seguro y correcto el equipo, la velocidad del motor debe ser ajustada solo por un técnico de servicio cualificado.

## Mantenimiento de la bujía

Compruebe la separación de las bujías (A, Figura 20) con un calibrador (B). Si fuera necesario, reajuste la separación de las bujías. Monte la bujía y apriétela al par correcto. Para información sobre el par de apriete, consulte la sección **Especificaciones**.

## Mantenimiento de los sistemas de escape y refrigeración



**ADVERTENCIA**  
Durante el funcionamiento, el motor y el silenciador se calientan. Si toca un motor caliente, puede sufrir quemaduras por calor.

**Los restos combustibles, tales como hojas, hierba, maleza, etc., pueden incendiarse.**

- Antes de tocar el motor o el silenciador, detenga el motor y espere dos (2) minutos. Compruebe que sea seguro tocar el motor y el silenciador.
- Retire la suciedad del silenciador y del motor.

Constituye una infracción del artículo 4442 del California Public Resource Code (Código de recursos públicos de California) utilizar u operar el motor en las proximidades de terrenos boscosos o de rastrojos o que estén cubiertos de hierba a menos que el sistema de escape esté equipado con un dispositivo antichispas, tal y como se define en la Sección 4442, que además se mantenga en un buen estado de funcionamiento. Otros estados o jurisdicciones federales pueden tener leyes similares; consulte la Normativa federal CFR, título 36, Parte 261.52. Para obtener un supresor de chispas diseñado para el sistema de escape instalado en este motor, acuda al fabricante original del aparato o a un distribuidor.

Se trata de un motor refrigerado por aire. La suciedad o los materiales no deseados pueden impedir el flujo de aire y hacer que el motor se caliente demasiado. Esto da como resultado un rendimiento insatisfactorio y reduce la vida útil del motor. Las aletas de refrigeración del cilindro pueden acumular material no deseado que no se puede eliminar sin desmontar parcialmente el motor. Asegúrese de que un distribuidor de servicio técnico autorizado de Briggs & Stratton examine y limpie el sistema de refrigeración de aire. Consulte la sección **Programación de mantenimiento**.

1. Asegúrese de que no haya materiales combustibles alrededor y detrás del silenciador.
2. Utilice un cepillo o un paño seco para eliminar todo el material no deseado de la cubierta de la carcasa del ventilador, el silenciador y el área del cilindro. NO use agua para limpiar el motor.
3. Asegúrese de que las varillas, los resortes y los controles estén limpios.
4. Inspeccione el silenciador por si presenta fisuras, corrosión u otros daños.

5. Retire el deflector o la pantalla antichispas, si está instalada, e inspeccione si presenta daños o acumula carbonilla. Asegúrese de limpiar o instalar las piezas de recambio antes de operar el equipo.
6. Si se incluyen, asegúrese de que las aletas de refrigeración de aceite estén limpias.

## Cambio del aceite del motor



### ADVERTENCIA

**El combustible y sus vapores son extremadamente inflamables y explosivos. Un incendio o una explosión podría provocar quemaduras o la muerte.**

**Durante el funcionamiento, el motor y el silenciador se calientan. Si toca un motor caliente, puede sufrir quemaduras por calor.**

- Si vacía el aceite desde el tubo de llenado de aceite superior, el depósito de combustible debe estar vacío. De lo contrario, podría haber una fuga de combustible y provocar un incendio o una explosión.
- Antes de tocar el motor o el silenciador, detenga el motor y espere dos (2) minutos. Compruebe que sea seguro tocar el motor y el silenciador.

El aceite usado es un producto de desecho peligroso y debe eliminarse de un modo correcto. No lo tire a un cubo de residuos domésticos. Para la eliminación/reciclaje de estos residuos, pregunte a las autoridades locales, a un centro de mantenimiento o a un distribuidor dónde existen instalaciones.

Para los modelos **Just Check & Add™** no hace falta cambiar el aceite. Si es necesario un cambio de aceite, consulte el procedimiento siguiente.

### Extracción del aceite

1. Con el motor apagado pero caliente, desconecte los cables de las bujías (D, Figura 21) y manténgalos alejados de las bujías (E).
2. Saque la varilla indicadora de nivel de aceite (A, Figura 22).
3. El motor tiene dos tapones de drenado de aceite (H, F, Figura 23). Quite los tapones de drenado de aceite (H, F). Drene el aceite en un recipiente aprobado para este fin.
4. Coloque y ajuste los tapones de drenaje de aceite (H, F, Figura 23).

### Adición de aceite

- Cerciérese de que la unidad esté nivelada.
- Retire todo el material no deseado del área de llenado de aceite.
- Consulte la sección **Especificaciones** para conocer la capacidad de aceite.

1. Saque la varilla. Consulte la sección **Extracción del aceite**.
2. Añada lentamente aceite por uno de los orificios de llenado de aceite del motor (C, G, Figura 24). No agregue demasiado aceite.
3. Espere un minuto y luego revise el nivel de aceite nuevamente.
4. Instale la varilla indicadora de nivel de aceite.
5. Saque la varilla indicadora de nivel y compruebe el nivel del aceite. El nivel de aceite correcto se indica en la parte superior de la señal indicadora de lleno de la varilla. Consulte la sección **Comprobar nivel de aceite**.
6. Vuelva a instalar la varilla indicadora de nivel de aceite y apriétela.
7. Conecte el o los cables de bujía a la(s) bujía(s). Consulte la sección **Extracción del aceite**.

## Cambio del aceite del reductor de engranajes

Algunos motores están equipados con una unidad de reducción de marchas. Si la lleva, consulte los pasos para una de las unidades de reducción de engranajes que se indican a continuación.

### Reductor de cadena con relación 2:1

Si el motor está instalado con una unidad de reducción de cadena 2: 1 (G, Figura 25), no es necesario un cambio de aceite. El aceite del motor también lubrica el reductor de cadena.

### Reductor de embrague húmedo con relación 2:1

Si el motor lleva un reductor de embrague con relación 2:1, realice estas operaciones:

1. Saque la varilla indicadora de nivel de aceite (A, Figura 26).
2. Quite el tapón de drenaje (B, Figura 26) y drene el aceite en un recipiente aprobado.
3. Vuelva a montar el tapón de drenado del aceite y apriételo (B, Figura 26).
4. Añada lentamente aceite por el orificio de llenado de aceite (C, Figura 26). Consulte la sección **Especificaciones**.
5. Introduzca la varilla medidora (A, Figura 26).
6. Saque la varilla (A, Figura 26) y compruebe el nivel del aceite. El nivel de aceite correcto se indica en la parte superior de la señal indicadora de lleno (D) de la varilla.

7. Introduzca la varilla medidora (A, Figura 26).

## Reductor de engranajes con relación 6:1

Si su motor lleva un reductor de engranajes de relación 6:1, realice estas operaciones:

1. Quite el tapón de llenado de aceite (A, Figura 27) y el tapón de nivel del aceite (B).
2. Quite el tapón de drenaje del aceite (C, Figura 27) y drene el aceite en un recipiente aprobado.
3. Ponga el tapón de drenaje de aceite y apriételo (C, Figura 27).
4. Agregue lentamente aceite de reducción de engranajes (80W-90) en el orificio de llenado de aceite (D, Figura 27). Continúe agregando aceite de reducción de engranajes (80W-90) hasta que el aceite salga por el orificio de nivel de aceite (E).
5. Monte de nuevo el tapón de nivel del aceite y apriételo (B, Figura 27).
6. Coloque de nuevo el tapón de llenado de aceite y apriételo (A, Figura 27).

**NOTA:** El tapón de llenado de aceite (A, Figura 27) tiene un orificio de ventilación (F) y debe montarse encima de la tapa de la caja de engranajes, como se muestra.

## Mantenimiento del filtro de aire



### ADVERTENCIA

**Los vapores de combustible son inflamables y sus vapores son explosivos. Un incendio o una explosión podría provocar quemaduras o la muerte.**

- Nunca arranque y ponga en marcha el motor si se ha extraído el conjunto del filtro de aire (si se incluye), o se ha extraído el filtro de aire (si se incluye).

### AVISO

No utilice aire a presión ni disolventes para limpiar el filtro. El aire a presión puede dañar el filtro y los disolventes disolverán el filtro.

Consulte la sección **Programa de mantenimiento** para ver los requisitos de mantenimiento.

Los distintos modelos utilizan un filtro de espuma o de papel. Algunos modelos podrían incluir también un prefiltro opcional que se puede lavar y volver a utilizar. Compare las ilustraciones de este manual con el tipo instalado en su motor y realice su mantenimiento de la forma descrita a continuación.

### Filtro de aire de papel

1. Afloje el/los sujetador(es) (C, Figura 28).
2. Saque la tapa (A, Figura 28) y el filtro (B).
3. Para quitar en lo posible la suciedad, golpee suavemente el filtro (B, Figura 28) contra una superficie dura. Si el filtro está sucio, reemplácelo por uno nuevo.
4. Instale el filtro (B, Figura 28).
5. Monte la tapa (A, Figura 28) con el o los cierres (C). Verifique que el/los pasador(es) estén bien apretados.

### Filtro de aire de papel - Bajo perfil

1. Mueva el pestillo (A, Figura 29) para desbloquear la tapa (C).
2. Apriete las pestañas (B, Figura 29) y retire la tapa (C).
3. Retire el filtro (D, Figura 29).
4. Para quitar en lo posible la suciedad, golpee suavemente el filtro (D, Figura 29) contra una superficie dura. Si el filtro está sucio, reemplácelo por uno nuevo.
5. Monte el filtro (D, Figura 29).
6. Instale la cubierta (C, Figura 29). Mueva el pestillo (A) hasta la posición de bloqueo.

**NOTA:** Compruebe el ajuste del sello de espuma (E, Figura 29). Asegúrese de que el sello de espuma perimetral está correctamente encajado en el canal (F).

## Mantenimiento del sistema de combustible



### ADVERTENCIA

**El combustible y sus vapores son extremadamente inflamables y explosivos. Un incendio o una explosión podría provocar quemaduras o la muerte.**

- Mantenga el combustible alejado de chispas, llamas abiertas, pilotos, calor y otras fuentes de ignición.
- Compruebe con frecuencia las mangueras de combustible, el depósito de combustible, el tapón de combustible y las conexiones por si presentaran grietas o hubiera fugas. Sustituya las piezas dañadas.
- Si se derrama combustible, espere hasta que se seque para arrancar el motor.

### Filtro de combustible, si está instalado

1. Retire la tapa del depósito de combustible (A, Figura 30).
2. Retire el filtro de combustible (B, Figura 30).

3. Limpie o cambie el filtro de combustible si está sucio. Si reemplaza el filtro de combustible, asegúrese de utilizar un repuesto original.

## Almacenaje Sistema de combustible

Consulte la figura:31.



**ADVERTENCIA**  
El combustible y sus vapores son extremadamente inflamables y explosivos. Un incendio o una explosión podría provocar quemaduras o la muerte.

### Almacenamiento de combustible

- Almacene el combustible o el equipo lejos de hornos, estufas, calentadores de agua u otros aparatos que utilicen luces piloto u otras fuentes de encendido, ya que estos pueden encender los vapores de gasolina.

Mantenga el nivel del motor (posición de funcionamiento normal). Llene de combustible (A, Figura 31) el depósito de combustible. Para permitir que el combustible se expanda, no llene el depósito por encima de la parte inferior del cuello del depósito de combustible (B).

El combustible puede echarse a perder si se mantiene en un recipiente de almacenamiento durante más de 30 días. Se recomienda el uso de un estabilizador de combustible sin alcohol y un tratamiento con etanol en el recipiente de almacenamiento de combustible para evitar la degradación del combustible y mantenerlo fresco.

Cuando llene el recipiente de combustible con combustible, agregue un estabilizador de combustible sin alcohol, como se especifica en las instrucciones del fabricante. Si la gasolina en el motor no ha sido tratada con un estabilizador de combustible, debe drenarse en un recipiente aprobado. Use el motor hasta que se termine el combustible.

## Aceite del motor

Con el motor aún caliente, cambie el aceite del motor. Consulte la sección **Cambio de aceite del motor**.

## Solución de problemas

### Ayuda

Si necesita ayuda, póngase en contacto con su concesionario local, acceda a **BRIGGSandSTRATTON.COM** o llame al **1-800-444-7774** (en EE. UU).

## Piezas de repuesto y especificaciones

Especificaciones	Modelo: 10V000	Modelo: 12V000
Cilindrada	10.313 ci (169 cc)	12.387 ci (203 cc)
Diámetro	2.44 pulg. (62 mm)	2.677 pulg. (68 mm)
Carrera	2.204 pulg. (56 mm)	2.204 pulg. (56 mm)
Capacidad de aceite	18 - 20 onzas (.54 - .59 l)	18 - 20 onzas (.54 - .59 l)
Reducción de embrague húmedo con relación 2:1 - Tipo de aceite	10W-30	10W-30
Reducción de embrague húmedo con relación 2:1 - Capacidad de aceite	10 onzas (.30 l)	10 onzas (.30 l)
Reducción de marchas con relación 6:1 - Tipo de aceite	80W-90	80W-90
Reducción de marchas con relación 6:1 - Capacidad de aceite	4 onzas (12 l)	4 onzas (12 l)
Separación de bujías	.030 pulg. (.76 mm)	.030 pulg (.76 mm)
Torsión de la bujía	180 lb-pulg (20 Nm)	180 lb-pulg (20 Nm)
Entrehierro Inducido	.010 - .013 pulg (.25 - .35 mm)	.010 - .013 pulg (.25 - .35 mm)
Holgura de la válvula de admisión	.004 - .006 pulg (.10 - .15 mm)	.004 - .006 pulg (.10 - .15 mm)
Holgura de la válvula de escape	.005 - .007 pulg (.15 - .20 mm)	.005 - .007 pulg (.15 - .20 mm)

Especificaciones	Modelo: 25V000
Cilindrada	24.898 ci (408 cc)
Diámetro	3.465 pulg (88 mm)
Carrera	2.638 pulg (67 mm)

Especificaciones	Modelo: 25V000
Perno del soporte de montaje del cable	30 lb-pulg (3,4 Nm)
Tornillo retenedor del cable	25 lb-pulg (2,8 Nm)
Capacidad de aceite	28 - 32 onzas (.83 - .95 l)
Separación de bujías	.030 pulg. (.76 mm)
Torsión de la bujía	180 lb-pulg (20 Nm)
Entrehierro Inducido	.010 - .013 pulg (.25 - .35 mm)
Holgura de la válvula de admisión	.004 - .006 pulg (.10 - .15 mm)
Holgura de la válvula de escape	.005 - .007 pulg (.15 - .20 mm)

La potencia del motor disminuirá un 3,5 % cada 300 metros (1000 pies) sobre el nivel del mar y 1 % cada 5,6 °C (10 °F) por encima de 25 °C (77 °F). El motor funcionará satisfactoriamente en un ángulo de hasta 30°. Consulte el manual de instrucciones del equipo para ver los límites operativos permisibles y seguros en pendientes.

### Piezas de servicio

Para comprar piezas de servicio de Briggs & Stratton, busque un distribuidor de servicio técnico autorizado en **BRIGGSandSTRATTON.COM**. Necesitará su número de identificación (modelo - tipo - corte). Consulte **Características y controles** para encontrar el número de identificación de su motor.

## Clasificación de la potencia del motor

La clasificación de potencia bruta para modelos de motor de gasolina individual está etiquetada de acuerdo con el código J1940 (Small Engine Power & Torque Rating Procedure) de la SAE (Society of Automotive Engineers), y está clasificada de conformidad con el código SAE J1995. Los valores de torsión se obtienen a 2600 RPM en los motores que indican "rpm" en la etiqueta y a 3060 RPM en los otros; los valores de potencia en caballos de fuerza se obtienen a 3600 RPM. Las curvas de potencia bruta se pueden ver en **www.BRIGGSandSTRATTON.COM**. Los valores de potencia neta se obtienen con un filtro de aire y escape instalado, mientras que los valores de potencia bruta se recopilan sin estos accesorios. La potencia bruta real del motor es superior a la neta y depende, entre otros factores, de las condiciones ambientales de uso y de las variaciones entre distintos motores del mismo modelo. Dada la amplia gama de productos donde se instalan los motores, es posible que el motor de gasolina no desarrolle la potencia bruta nominal cuando se utiliza en un equipo motorizado determinado. Esta diferencia se debe, entre otros factores, a: accesorios (filtro de aire, escape, carga, refrigeración, carburador, bomba de combustible, etc.), limitaciones de la aplicación, condiciones ambientales de uso (temperatura, humedad, altitud) y variaciones entre distintos motores de un mismo modelo. A causa de las limitaciones de fabricación y de capacidad, Briggs & Stratton podrá sustituir este motor por un motor con mayor clasificación de potencia.

## Garantía

### Garantía de los motores Briggs & Stratton®

A partir de marzo de 2023

#### Garantía Limitada

Briggs & Stratton garantiza que, durante el periodo de garantía especificado a continuación, reparará o reemplazará, sin cargo, por una pieza nueva, reacondicionada o reconstruida, según el criterio único de Briggs & Stratton, cualquier pieza defectuosa en cuanto a materiales, mano de obra o ambos. El comprador será responsable de pagar los cargos de transporte relativos a los productos enviados para reparación o sustitución según esta garantía. Esta garantía se mantiene vigente durante los periodos de tiempo indicados a continuación y está sujeta a dichos periodos y a las condiciones que se indican a continuación. Para recibir servicio de garantía, localice al distribuidor de servicio técnico autorizado más cercano en nuestro mapa de localización de distribuidores en **BRIGGSandSTRATTON.COM**. El comprador debe ponerse en contacto con el distribuidor de servicio autorizado y hacerle llegar el producto para que lo inspeccione y lo pruebe.

**No existe otra garantía expresa. Las garantías implícitas, inclusive aquellas de comerciabilidad y de idoneidad para un propósito en particular se limitan a un año a partir de la fecha de compra o hasta los límites permitidos por la ley. Quedan excluidas todas y cualesquiera garantías implícitas. La responsabilidad por daños accidentales o emergentes queda excluida en la medida en que ello venga permitido conforme a derecho.** Algunos estados o países no contemplan limitaciones en cuanto a la duración de una garantía implícita y otros estados o países no permiten la exclusión o limitación de daños indirectos o incidentales, en cuyo caso la limitación y la exclusión anteriores puede que no se apliquen en su caso. Esta garantía le otorga derechos legales específicos; también podría tener otros derechos que varían según el estado o el país.

### Términos de la garantía estándar<sup>1, 2</sup>

**Vanguard®**, Serie CXi

Uso del consumidor: 36 meses

Uso comercial: 36 meses

<b>Términos de la garantía estándar</b> <sup>1, 2</sup>
<b>Serie XR</b>
Uso del consumidor: 24 meses
Uso comercial: 24 meses
<b>Todos los demás motores con camisa de cilindro de fundición Dura-Bore™</b>
Uso del consumidor: 24 meses
Uso comercial: 12 meses
<b>Todos los demás motores</b>
Uso del consumidor: 24 meses
Uso comercial: 3 meses

<sup>1</sup> Estos son los términos de nuestra garantía estándar, pero en algunos casos puede haber cobertura de garantía adicional no determinada en el momento de la publicación. Para ver la lista de términos actuales de la garantía para su motor, acceda a BRIGGSandSTRATTON.com o contacte con su distribuidor de servicio técnico autorizado Briggs & Stratton.

<sup>2</sup> No están cubiertos por la garantía los motores montados en equipos utilizados para suministrar energía en lugar de un servicio o para generadores de reserva utilizados para fines comerciales, vehículos todoterreno que excedan los 25 MPH, o motores utilizados en competiciones deportivas o en pistas comerciales o de alquiler.

El período de garantía comienza en la fecha de compra por el primer usuario final de consumo minorista o comercial, y continúa durante el período de tiempo que se indica en la tabla anterior. "Uso del consumidor" significa uso doméstico residencial personal por un consumidor minorista. "Uso comercial" significa todos los demás usos, como el uso para fines comerciales, de producción de renta o de alquiler. Una vez que el motor haya sido utilizado para uso profesional, será considerado como motor de uso profesional con respecto a esta garantía.

**No es necesario registrar la garantía para obtener garantía sobre los productos Briggs & Stratton. Guarde su comprobante de compra. Si no aporta la prueba de la fecha de compra inicial en el momento de solicitar el servicio de garantía, se utilizará la fecha de fabricación del producto para determinar el periodo de garantía.**

#### **Sobre su garantía**

Esta garantía cubre únicamente motores con material y/o mano de obra defectuosos, y no reemplazará ni reembolsará el equipo en el que esté montado el motor. El mantenimiento rutinario, las puestas a punto, el ajuste o el desgaste normal no están cubiertos por esta garantía. Del mismo modo, la garantía no es aplicable si el motor ha sido alterado o modificado o si el número de serie del motor ha sido borrado o eliminado. Esta garantía no cubre daños al motor o problemas de rendimiento provocados por:

1. El uso de repuestos no originales de Briggs & Stratton; Briggs & Stratton
2. El funcionamiento del motor con aceite lubricante insuficiente, contaminado o del tipo incorrecto;
3. El uso de combustible contaminado o pasado, o gasolina formulada con más del 10 % de etanol, o el uso de combustibles alternativos como gas de petróleo licuado o gas natural en motores no diseñados o fabricados originalmente por Briggs & Stratton para operar con tales combustibles;
4. Suciedad en el motor acumulada por un mantenimiento o un montaje inadecuados del filtro de aire;
5. El impacto de un objeto contra la cuchilla de una cortadora de césped rotativa, un montaje flojo o incorrecto de adaptadores de la cuchilla, impulsores u otros dispositivos acoplados al cigüeñal, o un apriete excesivo de la correa en V;
6. Piezas o conjuntos asociados tales como embragues, transmisiones, mandos del equipo, etc., no suministrados por Briggs & Stratton;
7. El sobrecalentamiento causado por los recortes de hierba, la suciedad o la presencia de nidos de roedores que taponan u obstruyen las aletas de refrigeración o la zona del volante, o por hacer funcionar el motor sin una ventilación suficiente;
8. Unas vibraciones excesivas debidas a un exceso de velocidad, a un montaje del motor flojo, cuchillas o impulsores desequilibrados o flojos, o el acoplamiento incorrecto de componentes del equipo al cigüeñal;
9. Un uso incorrecto, falta de mantenimiento rutinario, transporte, manipulación o almacenamiento del equipo, o un montaje incorrecto del motor.

El servicio bajo garantía solo lo prestan los distribuidores de servicio técnico autorizado Briggs & Stratton. Localice su distribuidor de servicio técnico autorizado más cercano en nuestro mapa localizador de distribuidores en BRIGGSandSTRATTON.COM o llame al número 1-800-444-7774 (en EE. UU.).

80114782 (Revisión B)

## **Briggs & Stratton Emissions Warranty**

### **Manufacturer's Warranty Coverage:**

The exhaust emissions control system on your engine is warranted for two years. If any emissions-related part on your engine is defective, the part will be repaired or replaced by B&S.

### **Owner's Warranty Responsibilities:**

- As the engine owner, you are responsible for the performance of the required maintenance listed in your owner's manual. B&S recommends that you retain all receipts covering maintenance on your engine, but B&S cannot deny warranty coverage solely for the lack of receipts or for your failure to ensure the performance of all scheduled maintenance.
- As the engine owner, you should however be aware that B&S may deny you warranty coverage if your engine or a part has failed due to abuse, neglect, or improper maintenance or unapproved modifications.
- You are responsible for presenting your engine to a B&S distribution center or service center as soon as the problem exists. The warranty repairs shall be completed in a reasonable amount of time, not to exceed 30 days. If you have a question regarding your warranty rights and responsibilities, you should contact B&S at 1-800-444-7774 (in USA) or BRIGGSandSTRATTON.COM.

80130178 Revision A



## Yleisiä tietoja



Tästä käyttöohjeesta löytyy turvallisuustietoja moottoriin liittyvistä vaaroista ja riskeistä sekä siitä, miten niitä voidaan ehkäistä. Ohjeessa selitetään myös tämän moottorin oikeanlainen käyttö ja huolto. Näiden ohjeiden lukeminen, ymmärtäminen ja tarkka noudattaminen on tärkeää. **Säilytä tämä ohjekirja mahdollista tulevaa tarvetta varten.**

**HUOMIO:** Tämän ohjekirjan kuvat ja kuvitus ovat ainoastaan tiedoksi. Ne saattavat poiketa omasta mallistasi. Käytä oman moottorisi kokoonpanoa vastaavia kuvia. Keskustele tarvittaessa valtuutetun huolto liikkeen kanssa.

Kirjaa muistiin ostopäivä, moottorin malli, tyyppi, varustetaso sekä moottorin sarjanumero varaosien hankkimista varten. Nämä numerot löytyvät moottorista. Katso kohta **Toiminnot ja hallintalaitteet**.

Ostopäivä	
Moottorin malli – Tyyppi – Varustelutaso	
Moottorin sarjanumero	

## Euroopan pääkonttorin yhteystiedot

Jos sinulla on kysyttävää eurooppalaisista päästö tasoista, voit ottaa yhteyttä Euroopan pääkonttoriimme osoitteessa:

Max-Born-Straße 2, 68519 Viernheim, Saksa.

## Euroopan unioni (EU) Vaihe V (5): Hiilidioksidiarvot (CO2)

Löydät Briggs & Strattonin EU-tyyppihyväksytyjen moottoreiden hiilidioksidiarvot kirjoittamalla "CO2" BriggsandStratton.com-sivuston hakuruutuun.

## Käyttäjän turvallisuus

### Varoitusmerkki ja varoitus sanat



Turvallisuusvaroituksen symboli viittaa turvallisuusohjeisiin, joiden noudattamatta jättäminen saattaa johtaa loukkaantumiseen. Varoitus sanaa (**VAARA**, **VAROITUS** tai **HUOMAUTUS**) käytetään osoittamaan mahdollisen vamman todennäköisyyttä ja mahdollista vakavuutta. Lisäksi varoitusmerkkiä käytetään osoittamaan vaaran tyyppiä.

**VAARA** merkitsee vaaraa, joka saattaa, mikäli sitä ei vältetä, johtaa vakavaan loukkaantumiseen tai kuolemaan.

**VAROITUS** tarkoittaa vaaraa, joka toteutuessaan voi johtaa kuolemaan tai vakavaan vammaan.

**HUOMIO** tarkoittaa vaaraa, joka toteutuessaan voi aiheuttaa lievän tai kohtalaisen vamman.

**HUOMAA** tarkoittaa tärkeitä, mutta ei vaaroihin liittyviä tietoja.

## Varoitusmerkit ja niiden selitykset

	Turvallisuustietoa vaaroista, jotka voivat johtaa henkilövahinkoihin.		Lue ja ymmärrä käyttöohjekirja ennen laitteen käyttöä tai huoltoa.
	Tulipalon vaara		Räjähdyksivaara
	Sähköiskun vaara		Myrkyllisten kaasujen vaara
	Kuumien pintojen vaara		Takapotkun vaara



Raajan irtoamisen vaara – liikkuvia osia



Polttoaineen määrä – maksimi  
Ei saa ylittää

## Turvallisuusviestit



### VAROITUS

Briggs & Stratton® -moottoreita ei ole suunniteltu käytettäväksi eikä niitä saa käyttää kartingautojen, lasten ajoneuvojen, vapaa-ajan tai urheilukäyttöön tarkoitettujen mönkijöiden, moottoripyörien, ilmatyynyalusten tai ilmailuvälineiden voimanlähteenä tai ajoneuvoissa, joita käytetään kilpailuissa, joita Briggs & Stratton ei ole hyväksynyt. Lisätietoja kilpailutuotteistamme löytyy osoitteesta [www.briggsracing.com](http://www.briggsracing.com). Halutessasi tietoja tuotteen käytöstä hyötyajoneuvoissa ja mönkijöissä, ota yhteyttä Briggs & Stratton Power Application Center -keskukseen, 1-866-927-3349. Moottorin vääränlainen käyttö saattaa aiheuttaa vakavan vammautumisen tai kuoleman.

## Kierrätystiedot



Kaikki pahvit, laatikot, käytetty öljy ja akut tulee kierrättää viranomaisten antamien säästöjen mukaisesti.

## Toiminnot ja hallintalaitteet Moottorin hallintalaitteet

Vertaa kuvien 1, 2, ja 3 viitekirjaimia seuraavan luettelon moottorin ohjaimiin:

- Moottorin tunnistenumeroit **Malli – Tyyppi – Koodi**
- Sytytystulppa
- Polttoainesäiliö ja korkki
- Ilmanpuhdistin
- Narukäynnistimen kahva
- Öljyn mittatikku
- Öljyntäyttöaukko
- Öljyn valutustulppa
- Äänenvaimennin, äänenvaimentimen suoja (jos asennettuna), kipinäsuojain (jos asennettuna)
- Kaasuvipu/polttoainehana/TransportGuard™
- Rikastimen säädin
- Ilmanottoaukon ritilä
- Sähkökäynnistys (jos asennettuna)
- Alennusvaihdeyksikkö (jos asennettuna)

Joissakin moottoreissa tai laitteissa saattaa olla kauko-ohjaimia. Tarkista kauko-ohjainten sijainti ja toiminta laitteen käyttöoppaasta.

## Moottorin ohjainten symbolit ja niiden selitykset

	Moottorin käyntinopeus – NOPEA		Moottorin käyntinopeus – HIDAS
	Moottorin käyntinopeus – SEIS		PÄÄLLÄ/POIS PÄÄLTÄ
	Moottorin käynnistys (start) Rikastin KIINNI		Moottorin käynnistys (start) Rikastin AUKI
	Polttoainesäiliön korkki Polttoaineen sulkuventtiili AUKI		Polttoaineen sulkuventtiili KIINNI

# Kokoaminen

## Kaasuvivun muuttaminen

Vakiomoottorissa on manuaalinen kaasuvipu. Käyttääksesi manuaalista kaasupua asenna etäkäyttöinen kaasuvipu tai mukauta kiinteää käyntinopeutta. Katso seuraavat ohjeet.

**HUOMIO:** Moottorin käyntinopeuden täytyy noudattaa laitevalmistajan suorituskykyä koskevia teknisiä tietoja. Ota apua saadaksesi yhteyttä valtuutettuun Briggs & Stratton -huoltoliikkeeseen.

### Manuaalinen kaasuvivun säädin

1. Siirrä kaasuvipu/TransportGuard®-vipu (A, kuva 4) POIS PÄÄLTÄ -asentoon.
2. Poista jousi (S, kuva4 ).

### Etäkäyttöinen kaasuvipu punosvajerilla

Etäkäyttöinen, punosvajerilla varustettu kaasuvipu voidaan asentaa jompaankumpaan seuraavista suunnista: **Sylinterinkannen suuntaan** tai **eteen**.

#### Sylinterinkannen suunta

1. Siirrä kaasuvipu/TransportGuard™ -vipu (A, kuva 5) POIS PÄÄLTÄ -asentoon.
2. Löysää kaasuvivun/TransportGuard®-vivun (A) mutteria (P, kuva 5) 10 mm:n vääntimellä puoli kierrosta.
3. Pidä johdon kiinnitysmutterista (J, kuva 6) kiinni 10 mm:n vääntimellä ja löysää ruuvi (K).
4. Asenna vajeri (L, kuva 6) vajerin kiinnitysmutterissa (J) olevan reiän kautta ja kiristä ruuvi (K). Varmista, että vajeri (L) ei ulotu yli 12,7 mm (puoli tuumaa) reiän yli.
5. Löysää ruuvi (I, kuva 6). Kiinnitä vajerin suojus (N) vajerin kiristimen (M) alle ja kiristä ruuvi (I).
6. Tarkista etäkäyttöisen kaasuvivun toiminta. Siirrä etäkäyttöinen kaasuvipu hitaalta nopealle 2–3 kertaa. Varmista, että etäkäyttöinen kaasuvipu ja vajeri (L, kuva 6) liikkuvat vapaasti. Säädä mutteria (P, kuva 7) tarpeen mukaan määrättyyn asentoon.

#### Etusuunta

1. Säädä kaasuvipu / Transport Guard™ -vipu:
  - a. **10V000- ja 12V000-moottorit:** Siirrä kaasuvipu/TransportGuard®-vipu (A, kuva 8) NOPEA-asentoon.
  - b. **25V000-moottorit:** Siirrä kaasuvipu / TransportGuard™ -vipu (A, kuva 8) POIS PÄÄLTÄ -asentoon.
2. Löysää kaasuvivun/TransportGuard®-vivun (A) mutteria (P, kuva 7) 10 mm:n vääntimellä puoli kierrosta.
3. Pidä johdon kiinnitysmutterista (J, kuva 8) kiinni 10 mm:n vääntimellä ja löysää ruuvi.
4. Asenna vajeri (L, kuva 8) johtimen kiinnitysmutterissa (J) olevan reiän kautta ja kiristä ruuvi (K). Varmista, että vajeri (L) ei ulotu yli 12,7 mm (puoli tuumaa) reiän yli.
5. Löysää ruuvi (I, kuva 8). Kiinnitä vajerin suojus (N) johdon kiristimen (M) alle ja kiristä ruuvi (I).
6. Tarkista etäkäyttöisen kaasuvivun toiminta. Siirrä etäkäyttöinen kaasuvipu hitaalta nopealle 2–3 kertaa. Varmista, että etäkäyttöinen kaasuvipu ja vajeri (L, kuva 8) liikkuvat vapaasti. Säädä mutteria (P, kuva 7) tarpeen mukaan määrättyyn asentoon.

### Etäkäyttöinen kaasuvipu säikeettömällä vajerilla

Etäkäyttöinen, säikeettömällä vajerilla varustettu kaasuvipu voidaan asentaa mihin tahansa neljästä suunnasta: **Sylinterinkannen suuntaan**, **eteen**, **vasemmalle**, tai **oikealle**.

#### Sylinterinkannen suunta

1. Siirrä kaasuvipu/TransportGuard®-vipu (A, kuva 9) POIS PÄÄLTÄ -asentoon.
2. Poista jousi (S, kuva9 ).
3. Siirrä kaasuvipu/TransportGuard®-vipu (A, kuva 9) NOPEA-asentoon.
4. Löysää kaasuvivun/TransportGuard®-vivun (A) mutteria (P, kuva 4) 10 mm:n vääntimellä puoli kierrosta.
5. Asenna säikeettömän vajerin Z-sovitin (Q, kuva 9) johonkin kulmavivun pienistä reiristä (R).
6. Löysää ruuvi (I, kuva 9). Kiinnitä vajerin suojus (N) vajerin kiristimen (M) alle ja kiristä ruuvi (I).

7. Tarkista etäkäyttöisen kaasuvivun toiminta. Siirrä etäkäyttöinen kaasuvipu hitaalta nopealle 2–3 kertaa. Varmista, että etäkäyttöinen kaasuvipu ja vajeri (L, kuva 9) liikkuvat vapaasti. Säädä mutteria (P, kuva 4) tarpeen mukaan määrättyyn asentoon.

#### Etusuunta

1. Siirrä kaasuvipu/TransportGuard®-vipu (A, kuva 10) POIS PÄÄLTÄ -asentoon.
2. Poista jousi (S, kuva10 ).
3. Siirrä kaasuvipu/TransportGuard®-vipu (A, kuva 10) NOPEA-asentoon.
4. Löysää kaasuvivun/TransportGuard®-vivun (A) mutteria (P, kuva 4) 10 mm:n vääntimellä puoli kierrosta.
5. Asenna säikeettömän vajerin Z-sovitin (Q, kuva 10) jompaankumpaan kulmavivun pienistä reiristä (R).
6. Löysää ruuvi (I, kuva 10). Kiinnitä vajerin suojus (N) johdon kiristimen (M) alle ja kiristä ruuvi (I).
7. Tarkista etäkäyttöisen kaasuvivun toiminta. Siirrä etäkäyttöinen kaasuvipu hitaalta nopealle 2–3 kertaa. Varmista, että etäkäyttöinen kaasuvipu ja vajeri (L, kuva 10) liikkuvat vapaasti. Säädä mutteria (P, kuva 4) tarpeen mukaan määrättyyn asentoon.

#### Vasen suunta

1. Siirrä kaasuvipu/TransportGuard®-vipu (A, kuva 11) POIS PÄÄLTÄ -asentoon.
2. Poista jousi (S, kuva4 ).
3. Siirrä kaasuvipu/TransportGuard®-vipu (A, kuva 11) NOPEA-asentoon.
4. Löysää kaasuvivun/TransportGuard®-vivun (A, kuva 11) mutteria (P, kuva 4) 10 mm:n vääntimellä puoli kierrosta.
5. Poista kaasuvivun nuppi (W, kuva 11) pieneen reikään (S) pääsemiseksi.
6. Asenna vajerin Z-sovitin (L, kuva 11) kaasuvivun (A) pieneen reikään (S).
7. Löysää ruuvi (I, kuva 11). Kiinnitä vajerin suojus (N) johdon kiristimen (M) alle ja kiristä ruuvi (I).
8. Tarkista etäkäyttöisen kaasuvivun toiminta. Siirrä etäkäyttöinen kaasuvipu hitaalta nopealle 2–3 kertaa. Varmista, että etäkäyttöinen kaasuvipu ja vajeri (L, kuva 11) liikkuvat vapaasti. Säädä mutteria (P, kuva 4) tarpeen mukaan määrättyyn asentoon.

#### Oikea suunta

Kaasuvivun asentamiseksi oikealta, tarvitaan vajerin kiinnike (U, kuva 12). Katso osanumero kohdista **Tekniset tiedot ja Huolto-osat**. Ota yhteyttä valtuutettuun Briggs & Stratton -jälleenmyyjään ostaaksesi vajerin kiinnikkeen.

1. Siirrä kaasuvipu/TransportGuard®-vipu (A, kuva 12) POIS PÄÄLTÄ -asentoon.
2. Poista jousi (S, kuva4 ).
3. Poista kaasuvivun nuppi (W, kuva 12) pienen reiän paljastamiseksi (S).
4. Siirrä kaasuvipu/TransportGuard®-vipu (A, kuva 12) NOPEA-asentoon.
5. Löysää kaasuvivun/TransportGuard®-vivun (A, 12) mutteria (P, kuva 4) 10 mm:n vääntimellä puoli kierrosta.
6. Asenna vajerin Z-sovitin (L, kuva 12) kaasuvivun (A) pieneen reikään (S).
7. Poista pultti (T, kuva 12). Asenna vajerin kiinnike (U) paikalleen kuvan mukaisella tavalla. Kiinnitä vajerin kiinnike (U) pulttiin (T). Kiristä pultti (T) 30 tuumapauna (3,4 Nm) momenttiin. Katso kohta **Tekniset tiedot ja Huolto-osat**.
8. Löysää ruuvi (I, kuva 12). Kiinnitä vajerin suojus (N) johdon kiristimen (M) alle ja kiristä ruuvi (I).
9. Tarkista etäkäyttöisen kaasuvivun toiminta. Siirrä etäkäyttöinen kaasuvipu hitaalta nopealle 2–3 kertaa. Varmista, että etäkäyttöinen kaasuvipu ja vajeri (L, kuva 12) liikkuvat vapaasti. Säädä mutteria (P, kuva 4) tarpeen mukaan määrättyyn asentoon.

### Kiinteä moottorin nopeus (Ei kaasuvivun vajeria)

Vaihdettaessa **kiinteään moottorin käyntinopeuteen**, kaasuvivun vajeria ei ole asennettu, eikä nopeutta voi valita. Ainoa käyntinopeus on NOPEA.

1. Siirrä kaasuvipu/TransportGuard®-vipu (A, kuva 13) POIS PÄÄLTÄ -asentoon.
2. Poista jousi (S, kuva13 ).
3. Siirrä kaasuvipu/TransportGuard®-vipu (A, kuva 13) NOPEA-asentoon.
4. Varmista, että johtokiinnikkeen ruuvi (V, kuva 13) on suunnattu kiinnikkeen reiän mukaisesti. Kiristä ruuvi (V) 2,8 Nm (25 tuumapauna) momenttiin.
5. Poista säätölinkki (H, kuva 13).

**HUOMIO:** Nyt kaasuvivulla/TransportGuard®-vivulla on vain kaksi asentoa: SEIS/POIS PÄÄLTÄ ja KÄYNNISSÄ.

6. Asenna uusi PÄÄLLÄ / POIS PÄÄLTÄ -TransportGuard®-merkintä (O, kuva 14) koristepaneelin olemassaolevan nopeudensäätömerkinnän päälle (F).

## Käyttö



**VAROITUS**  
Polttoainehöyryt syttyvät helposti ja voivat räjähtää. Tulipalo tai räjähdys voi aiheuttaa palovammoja tai kuoleman.

### Jos tuntuu kaasun hajua

- Älä käynnistä moottoria.
- Älä laita sähkökytkimiä päälle.
- Älä käytä puhelinta koneen lähellä.
- Evakuoi alue.
- Ota yhteyttä palontorjuntaan.

### Laitetta käytettäessä

- Moottoria tai laitetta ei saa kallistaa niin paljon, että polttoainetta pääsee vuotamaan.

### Laitetta siirrettäessä

- Varmista, että polttoainesäiliö on TYHJÄ tai että polttoaineen sulkuventtiili (jos asennettuna) on SULJETTU-asennossa.

## Öljymäärän tarkistus

### Ennen öljyn tarkistamista tai lisäämistä

- Varmista, että moottori on vaakaasuorassa.
- Poista lika ja roskat öljyalueelta.
- Katso öljytilavuus **teknisten tietojen** osiosta.

### HUOMAA

Tämä moottori on lähetetty Briggs & Strattonin tehtaalta sisältämättä öljyä. Laittevalmistajat tai -myyjät ovat saattaneet lisätä moottoriin öljyä. Varmista ennen moottorin ensimmäistä käynnistyskertaa, että öljyä on oikea määrä. Lisää öljyä tässä käyttöohjeessa selitetyllä tavalla. Mikäli käynnistät moottorin lisäämättä öljyä, moottori vaurioituu eikä takuu korvaa sen korjausta.

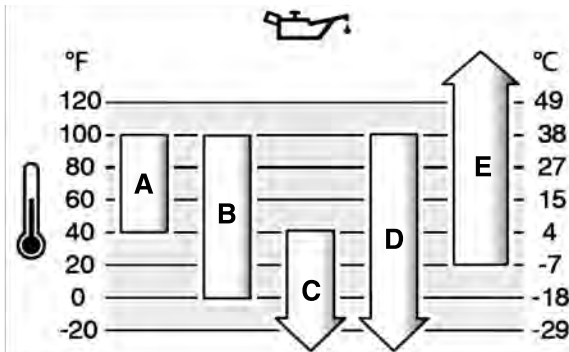
1. Poista mittatikku (A, kuva 15) ja puhdista se liinalla.
2. Asenna ja kiristä mittatikku (A, kuva 15).
3. Poista mittatikku ja tarkasta öljytaso. Varmista, että öljymäärä ulottuu mittatikussa olevaan täyttäsäiliötä osoittavan merkin (B, kuva 15) yläreunaan.
4. Moottorissa on kaksi öljyntäyttöaukkoa (C, G, kuva 16). Jos öljymäärä on vähäinen, lisää öljyä hitaasti moottorin täyttöaukoihin (C, G). Älä lisää liikaa öljyä. Odota öljyn lisäyksen jälkeen minuutti ja tarkasta öljymäärä uudelleen. Varmista, että öljymäärä on oikea.
5. Asenna ja kiristä mittatikku (A, kuva 15).

## Öljyä koskevat suositukset

**Öljytilavuus:** Ks. osio "**Tekniset tiedot**".

Parhaan tehon saavuttamiseksi suositellaan Briggs & Stratton®-takuun sertifioimien öljyjen käyttöä. Muita korkealaatuisia puhdistavia öljyjä voidaan käyttää, jos niiden luokitus on SF, SG, SH, SJ tai korkeampi. Älä käytä erikoislisäaineita.

Valitse paras viskositeetti odotetun ulkoilman lämpötilan perusteella tästä taulukosta. Useimpien ulkokäyttöön tarkoitettujen laitteiden moottorit toimivat hyvin synteettisellä 5W-30-viskositeetin öljyllä. Parhaan suojan korkeissa lämpötiloissa käytettäville laitteille antaa synteettinen Vanguard® 15W-50 -öljy.



B	10W-30 – Käytettäessä 10W-30-öljyä yli 80 °F:n (27 °C) lämpötilassa öljyn kulutus saattaa lisääntyä. Öljyn määrä tulee tarkistaa usein.
C	5W-30
D	Synteettinen 5W-30
E	Vanguard® synteettinen 15W-50

## Alhaisen öljymäärän suojausjärjestelmä (mikäli asennettuna)

Joissain moottoreissa on alhaisen öljymäärän anturi. Jos öljymäärä on alhainen, anturiin syttyy varoitusvalo tai se sammuttaa moottorin. Sammuta moottori ja noudata seuraavia ohjeita ennen moottorin käynnistämistä uudelleen.

- Varmista, että moottori on vaakaasuorassa.
- Tarkista öljy. Katso osio **Öljytason tarkistaminen**.
- Jos öljymäärä on alhainen, lisää sopiva määrä öljyä. Käynnistä moottori ja varmista, että varoitusvalo (mikäli asennettuna) ei syty.
- Jos öljytaso ei ole alhainen, älä käynnistä moottoria. Pyydä valtuutetusta Briggs & Stratton -huoltoliikkeestä lisätietoja öljyongelman ratkaisemiseksi.

## Polttoainesuositukset

### Polttoaineen on täytettävä seuraavat vaatimukset:

- Puhdas, tuore, lyijytön bensiini.
- Vähintään 87-oktaaninen / 87 AKI (91 RON). Korkean ilmanalan käyttöä koskevat ohjeet löytyvät jäljempänä.
- Enintään 10 % etanolia sisältävän bensiinin (gasoholin) käyttö on sallittu.

### HUOMAA

Älä käytä hyväksymätöntä bensiiniä, kuten E15 ja E85. Älä sekoita öljyä bensiiniin äläkä muuta moottoria toimimaan vaihtoehtoisilla polttoaineilla. Muiden kuin hyväksytyjen polttoaineiden käyttö saattaa vahingoittaa moottorin komponentteja. Takuu ei korvaa niiden korjausta.

Sekoita polttoaineeseen alkoholiton polttoaineen lisäainetta ja etanolia suojaamaan polttoainejärjestelmää hartsin muodostumiselta ja syöpymiseltä. Katso luku **Säilytys**. Kaikki polttoaineet eivät ole samanlaisia. Polttoaineen toimittaja tai merkki tulee vaihtaa, jos moottorin käynnistyksessä tai toiminnassa esiintyy ongelmia. Tämä moottori on sertifioitu toimimaan bensiinillä. Kaasutinmoottoreiden pakokaasupäästöjen rajoitusjärjestelmä on EM (Engine Modifications, moottorin modifikaatiot). Elektronisella polttoaineen ruiskutuksella varustettujen moottoreiden pakokaasupäästöjen hallintajärjestelmät ovat ECM (Engine Control Module, moottorin ohjausmoduuli), MFI (Multiport Fuel Injection, monipisteruiskutus), TBI (Throttle Body Fuel Injection, yksipisteruiskutus) ja, mikäli varusteena, O2S (Oxygen Sensor, happianturi).

### Korkealla sijaitsevat alueet

Yli 5 000 jalan (1 524 metrin) korkeudessa polttoaineena tulee olla vähintään 85-oktaaninen/85 AKI:n (89 RON) bensiini.

Kaasuttimella varustettua moottoria on säädettävä korkeaa ilmanalaa vastaavaksi tehon ylläpitämiseksi. Käyttö ilman korkean ilmanalan säätöä heikentää suorituskykyä sekä lisää polttoaineen kulutusta ja päästöjä. Saat Briggs & Strattonin valtuutetusta huoltoliikkeestä lisätietoa korkean ilmanalan säädöistä. Korkean ilmanalan säätöä ei suositella, jos moottoria käytetään alle 2 500 jalan (762 metrin) korkeudessa.

Elektronisella polttoaineen ruiskutuksella toimiville moottoreille (EFI) ei ole tarpeellista suorittaa korkean paikan säätöä.

## Polttoaineen lisääminen



**VAROITUS**  
Polttoaine ja polttoainehöyryt ovat helposti syttyviä ja räjähdysherkkiä. Tulipalo tai räjähdys voi aiheuttaa palovammoja tai kuoleman.

### Polttoainetta lisättäessä

- Sammuta moottori. Odota ennen polttoainesäiliön korkin irrottamista vähintään kaksi (2) minuuttia, jotta moottori on varmasti jäähtynyt.
  - Täytä polttoainesäiliö ulkona sellaisessa paikassa, jossa ilma virtaa hyvin.
  - Säiliöön ei saa lisätä liikaa polttoainetta. Älä täytä polttoainesäiliön kaulan alareunaa korkeammalle, jotta polttoaine pääsee laajenemaan.
  - Suojaa polttoaine kipinöiltä, avotulelta, syytyslähteiltä, lämmöltä ja muilta syytyslähteiltä.
  - Tarkista usein, ettei polttoaineputkissa, polttoainesäiliössä, säiliön korkissa tai liittimissä ole murtumia eikä vuotoja. Vaihda vaurioituneet osat.
  - Jos polttoainetta läikky, odota sen haihtumista ennen moottorin käynnistämistä.
1. Puhdista lika ja roskat polttoainesäiliön korkin ympäriltä. Irrota polttoainesäiliön korkki.
  2. Täytä polttoainesäiliö (A, kuva 17) polttoaineella. Koska polttoaine laajenee, sitä ei saa lisätä polttoainesäiliön kaulan pohjan yläpuolelle (B).
  3. Aseta korkki takaisin.

**A** SAE 30 – Alle 40 °F:n (4 °C) lämpötiloissa SAE 30 -öljyn käyttö johtaa huonoon käynnistyvyyteen.

## Moottorin käynnistys



### VAROITUS

**MYRKYLLISEN KAASUN VAARA.** Moottorin pakokaasu sisältää hääkää, joka on myrkyllistä ja saattaa olla kuolettavaa muutamassa minuutissa. Vaikka et haistaisikaan pakokaasun hajua, saatat silti altistua vaaralliselle hiilimonoksidikaasulle eli hääkelle. Jos sinua alkaa oksettaa tai huimata tai tunnet olosi heikoksi laitetta käyttäessäsi, hakeudu **VÄLITTÖMÄSTI** raittiseen ilmaan. Hakeudu lääkärin hoitoon. Sinulla saattaa olla hääkämyrkytys.

- Hiilimonoksidi eli hääk saattaa kerääntyä suljettuihin tiloihin. Hiilimonoksidivaara vältetään käyttämällä tätä laitetta AINOASTAAN ulkotiloissa ja kaukana ikkunoista, ovista ja tuuletusaukoista.
- Asenna paristokäyttöiset hääkavaroittimet tai verkkokäyttöiset ja paristovarmenteiset hääkavaroittimet valmistajan ohjeiden mukaan. Savuhälyttimet eivät havaitse hiilimonoksidia.
- Tätä tuotetta EI SAA käyttää asuintiloissa, autotalleissa, kellareissa, ryömintätiloissa, vajoissa tai muissa suljetuissa tiloissa, vaikka niissä olisikin tuulettimia tai avattavia ovia ja ikkunoita ilmanvaihtoa varten. Hiilimonoksidi saattaa kerääntyä tämän tuotteen käytön jälkeen nopeasti edellä mainittuihin tiloihin ja jäädä niihin tunneiksi.
- Laitte tulee AINA asettaa siten, että se on tuulen alapuolella ja että pakoputki osoittaa pois päin tiloista, joissa oleskellaan.



### VAROITUS

**Polttoaine ja polttoainehöyryt ovat helposti syttyviä ja räjähdysherkkiä. Tulipalo tai räjähdys voi aiheuttaa palovammoja tai kuoleman.**

#### Moottoria käynnistettäessä

- Varmista, että sytytystulppa, äänenvaimennin, polttoainesäiliön korkki ja ilmanpuhdistin (mikäli varusteena) on asennettu oikein.
- Älä pyöritä moottoria sytytystulppa irrotettuna.
- Jos moottori tulvii, aseta rikastin (mikäli varusteena) AUKI- tai AJO-asentoon. Siirrä kaasuläppä (mikäli varusteena) NOPEA-asentoon ja väännä kampea, kunnes moottori käynnistyy.
- Jos alueella on nestekaasuvuoto, ei moottoria saa käynnistää.
- Paineistettuja käynnistysnesteitä ei saa käyttää, koska niiden höyryt sytyvät herkästi.



### VAROITUS

**Pyörivät osat voivat tarttua käsiin, hiuksiin tai vaatteisiin. Tästä voi seurata vakavia silpoutumia tai haavoittumista.**

- Suojien tulee olla asennettuina oikein laitteen käytön aikana.
- Pidä kädet ja jalat pois pyörivistä osista.
- Ota korut pois ja varmista, että pitkät hiukset eivät joudu pyörivien osien läheisyyteen.
- Älä käytä löysiä vaatteita tai esineitä, jotka saattaisivat tarttua kiinni.



### VAROITUS

**Käynnistysnarun nopea vetäytyminen (takapotku) vetää kätesi ja käsivartesi moottoriin päin nopeammin kuin ehdit laskea kahvasta irti. Tämä saattaa aiheuttaa luiden katkeamista, murtumia, mustelmia tai nyrjähdyksiä.**

- Moottorin käynnistyksen yhteydessä tapahtuva takapotku estetään vetämällä köydestä hitaasti, kunnes vastus tuntuu, ja nykäisemällä sitten nopeasti.
- Kytke pois tai irrota kaikki ylimääräinen moottorin tai laitteen kuormitus käynnistyksen ajaksi.
- Varmista, että kaikki suoraan kytketyt komponentit, kuten esimerkiksi terät, puhaltimet, vetopyörät, hihnapyörät ja ketjupyörät on kiinnitetty tiukasti.

**HUOMIO:** Laitteessasi saattaa olla kauko-ohjaimia. Ohjainten sijainti ja toiminta löytyvät laitteen käsikirjasta.

- Tarkasta moottoriöljy. Katso kohta **Öljytason tarkistaminen**.
- Varmista, että laitteen voimansiirron säätölaitteet (mikäli varusteena) ovat vapaalla.
- Siirrä kaasuvipu/TransportGuard® (A, kuva 18) jos varusteena, NOPEA- tai AJO-asentoon. Käytä moottoria kaasuvivun ollessa NOPEA- tai AJO-asennossa.
- Siirrä rikastimen ohjain (B, kuva 18) SULJETTU-asentoon.

Rikastinta ei yleensä tarvitse käyttää, jos moottori on käynnistettäessä lämmin.

- Käsi-käynnistin, mikäli sellainen on:** Tartu käynnistimen narun kädensijaan tiukasti (C, kuva 18). Vedä käynnistinnarun kädensijaa hitaasti, kunnes tunnet vastuksen, ja vetäise sitten nopeasti.



### VAROITUS

**Käynnistysnarun nopea vetäytyminen (takapotku) vetää kätesi ja käsivartesi moottoriin päin nopeammin kuin ehdit laskea kahvasta irti. Tämä saattaa aiheuttaa luiden katkeamista, murtumia, mustelmia tai nyrjähdyksiä.**

- Moottorin käynnistyksen yhteydessä tapahtuva takapotku estetään vetämällä köydestä hitaasti, kunnes vastus tuntuu, ja nykäisemällä sitten nopeasti.
- Kytke pois tai irrota kaikki ylimääräinen moottorin tai laitteen kuormitus käynnistyksen ajaksi.
- Varmista, että kaikki suoraan kytketyt komponentit, kuten esimerkiksi terät, puhaltimet, vetopyörät, hihnapyörät ja ketjupyörät on kiinnitetty tiukasti.

- Sähkökäynnistin, mikäli sellainen on:** Käännä sähkökäynnistimen kytkin (D, kuva 18) START-asentoon.

### HUOMAA

Voit pidentää käynnistimen käyttöikää käynnistämällä moottoria vain lyhyitä jaksuja (korkeintaan viisi sekuntia kerrallaan). Pidä minuutin tauko käynnistysyritysten välillä.

- Kun moottori lämpenee, siirrä rikastimen ohjain (B, kuva 18) AUKI-asentoon.

Mikäli moottori ei käynnisty 2–3 kerran jälkeen, ota yhteyttä paikalliseen jälleenmyyjään tai siirry osoitteeseen [vanguardpower.com](http://vanguardpower.com) tai soita numeroon 1-800-999-9333 (Yhdysvalloissa).

## Moottorin sammuttaminen



### VAROITUS

**Polttoaine ja polttoainehöyryt ovat helposti syttyviä ja räjähdysherkkiä. Tulipalo tai räjähdys voi aiheuttaa palovammoja tai kuoleman.**

- Älä sammuta moottoria käyttämällä rikastinta (mikäli varusteena).

**Kaasuvipu/TransportGuard®:** Siirrä kaasuvipu/TransportGuard®-vipu (A, kuva 19) POIS PÄÄLTÄ- tai STOP-asentoon.

**HUOMIO:** Kun kaasuvipu/TransportGuard® on POIS PÄÄLTÄ- tai STOP-asennossa, polttoaineventiili on POIS PÄÄLTÄ-asennossa. Siirrä kaasuvipu/TransportGuard® POIS PÄÄLTÄ- tai STOP-asentoon aina laitteen kuljetuksen yhteydessä.

**HUOMIO:** Avain (D, kuva 19) ei sammuta moottoria. Avain AINOASTAAN käynnistää moottorin. Irrota avain (D) aina ja pidä se turvallisessa paikassa lasten ulottumattomissa.

## Huolto

### Huoltotiedot



### VAROITUS

**Polttoaine ja polttoainehöyryt ovat helposti syttyviä ja räjähdysherkkiä. Tulipalo tai räjähdys voi aiheuttaa palovammoja tai kuoleman.**

Jos laitetta täytyy kallistaa huollon aikana, on varmistettava, että polttoainesäiliö on tyhjä ja että sytytystulpan puoleinen puoli on ylöspäin, jos polttoainesäiliö on kiinnitetty moottoriin. Jos polttoainesäiliö ei ole tyhjä, voi mahdollinen vuoto aiheuttaa tulipalon tai räjähdysriskin. Jos moottori on kallistettuna johonkin toiseen suuntaan, se ei käynnisty helposti, koska öljy tai polttoaine aiheuttaa ilmansuodattimen tai sytytystulppien kontaminaation.



### VAROITUS

**Tahaton moottorin kipinä voi aiheuttaa sähköiskun, tulipalon tai räjähdysriskin ja se saattaa aiheuttaa osiin tarttumisen, raajojen irtileikkautumisen tai silpoutumisen.**

#### Ennen säätöjä tai korjaustoimenpiteitä:

- Irrota kaikki sytytystulppien johdot ja pidä ne kaukana sytytystulppista.
- Irrota akun kaapeli miinusnavasta (vain sähkökäynnistiset mallit).
- Käytä vain asianmukaisia työkaluja.

#### Kipinää tarkastettaessa:

- Käytä hyväksyttyä sytytystulpan testerää.
- Kipinöintiä ei saa tarkistaa sytytystulpan ollessa irti.



## VAROITUS

Kaikkien tämän moottorin kokoamiseen käytettyjen osien täytyy pysyä alkuperäisillä paikoillaan, jotta laite toimisi kunnolla. Väärien osien käyttö tai moottorin kaikkien osien vaihtamatta jättäminen voi aiheuttaa vahinkoa tai loukkaantumisia.

- Varaosien täytyy olla rakenteeltaan samanlaisia, ja ne täytyy asentaa samoihin kohtiin kuin alkuperäiset osat.
- Säätimen jousta, vivustoa tai muita osia, jos sellaisia on asennettu, ei saa muuttaa kasvattamaan moottorin nopeutta.

## HUOMAA

Kaikki tämän moottorin valmistuksessa käytettyjen osien on oltava paikoillaan, jotta laite toimisi kunnolla.

Ota yhteyttä valtuutettuun Briggs & Stratton -huoltoliikkeeseen kaikissa moottoreiden huoltoon, korjaukseen ja varaosiin liittyvissä kysymyksissä.

## Pakokaasujen puhdistusjärjestelmän huolto

Pyydä jotakin liikkuvia työkoneita huoltavaa korjaamoa tai teknikkoo suorittamaan pakokaasujen puhdistusjärjestelmän osien huolto, vaihto tai korjaus. Ilmainen pakokaasupäästöjen tarkastus on kuitenkin hyödynnettävissä vain silloin, kun työn tekijänä on joku tehtaan valtuuttama jälleenmyyjä. Katso lisätietoja pakokaasujen puhdistusjärjestelmää koskevista lausekkeista.

## Huoltoaikataulu

<b>5 ensimmäisen käyttötunnin jälkeen</b>
<ul style="list-style-type: none"> <li>• Öljynvaihto.</li> </ul>
<b>8 tunnin välein tai päivittäin</b>
<ul style="list-style-type: none"> <li>• Tarkasta moottoriöljyn määrä.</li> <li>• Puhdista äänenvaimentimen ja ohjaimien ympäristö.</li> <li>• Puhdista ilmanottoaukon ritilä.</li> </ul>
<b>100 tunnin välein tai vuosittain</b>
<ul style="list-style-type: none"> <li>• Huolla pakojärjestelmä.</li> <li>• Vaihda alennusvaihtokäytön öljy (jos asennettuna).</li> </ul>
<b>200 tunnin välein tai vuosittain</b>
<ul style="list-style-type: none"> <li>• Moottoriöljyn vaihtaminen.</li> <li>• Puhdista ilmansuodatin<sup>1</sup></li> </ul>
<b>600 tunnin tai 3 vuoden välein</b>
<ul style="list-style-type: none"> <li>• Vaihda ilmansuodin.</li> </ul>
<b>Vuosittain</b>
<ul style="list-style-type: none"> <li>• Vaihda sytytystulppa.</li> <li>• Huolla polttoainejärjestelmä.</li> <li>• Huolla jäähdytysjärjestelmä<sup>1</sup>.</li> <li>• Tarkista venttiilivälkykset<sup>2</sup>.</li> </ul>

<sup>1</sup>Puhdista useammin pölyisissä olosuhteissa tai jos ilmassa on runsaasti hiukkasia.

<sup>2</sup>Ei tarpeen, ellei moottorissa havaita ongelmia.

## Kaasutin ja moottorin käyntinopeus

Kaasutinta, kierroslukurajoittimen jousta, vivustoa tai muita osia ei saa muuttella ja yrittää siten säätää moottorin käyntinopeutta. Jos säätöjä tarvitaan, tulee ottaa yhteys valtuutettuun Briggs & Stratton -huoltoliikkeeseen.

## HUOMAA

Laittevalmistaja ilmoittaa laitteeseen asennetun moottorin enimmäiskäyntinopeuden. Tätä nopeutta ei saa ylittää. Jos et tiedä varmasti moottorin enimmäiskäyntinopeutta tai tehdasasetteista käyntinopeutta, ota yhteys johonkin valtuutettuun Briggs & Stratton -huoltoliikkeeseen. Laitteen turvallisen ja oikean toiminnan varmistamiseksi moottorin käyntinopeuden saa säätää ainoastaan valtuutettu huoltoteknikko.

## Sytytystulppien huolto

Tarkista sytytystulpan kärkiväli (A, kuva 20) lankatulkilla (B). Säädä sytytystulpan kärkiväli tarvittaessa uudelleen. Asenna sytytystulppa ja kiristä se asianmukaiseen momenttiin. Tarkemmat kärkivälit ja vääntömomenttia koskevat tiedot löytyvät kohdasta **Tekniset tiedot**.

## Pako- ja jäähdytysjärjestelmien huolto



## VAROITUS

Moottori ja äänenvaimennin kuumenevat käytön aikana. Kuumen moottorin koskettaminen voi aiheuttaa palovammoja.

Syttymisherät aineet, kuten lehdet, ruoho tai pensaat, voivat syttyä tuleen.

- Sammuta moottori ja odota kaksi (2) minuuttia ennen moottoriin tai äänenvaimentimeen koskemista. Varmista, että on turvallista koskea moottoriin tai äänenvaimentimeen.
- Poista roskat moottorista ja äänenvaimentimesta.

Kalifornian luonnonvaralain 4442 §:n nojalla on kiellettyä käyttää moottoria metsä-, pensas- tai ruohopeitteisellä maalla tai sellaisen lähellä, ellei pakojärjestelmään ole asennettu 4442 §:ssä esitettyjen määritelmien mukaista toimintakuntoista kipinäsuojaa. Muissa osavaltioissa tai muilla liittovaltion alueilla oikeudenkäytöalueilla saattaa olla samankaltaisia lakeja; ks. Code of Federal Regulations - säännöstö (CFR) 36 osa 261.52. Ota yhteys alkuperäisen laitteen valmistajaan, jälleenmyyjään tai vähittäiskauppiaseen saadaksesi tälle moottorille suunniteltuun pakokaasujärjestelmään sopivan kipinänsammuttimen.

Tämä on ilmajäähdytteinen moottori. Lika tai epäpuhtaudet saattavat estää ilman virtaamisen ja aiheuttaa moottorin ylikuumentumista. Tämä heikentää moottorin toimintakuntoa sekä lyhentää sen käyttöikää. Sylinterin jäähdytysripoihin saattaa kerääntyä epäpuhtauksia, joita ei voi poistaa purkamatta moottoria osittain. Pyydä jotakin Briggs & Strattonin valtuuttamaa huoltoliikettä tutkimaan ja puhdistamaan jäähdytysjärjestelmän. Ks. **"Huoltovälit"**.

1. Varmista, että äänenvaimentimen ympärillä tai takana ei ole palavia aineita.
2. Poista kaikki epäpuhtaudet puhaltimen kotelon kannesta, äänenvaimentimesta ja sylinterin läheisyydestä harjalla tai kuivalla liinalla. Moottorin puhdistamiseen EI SAA käyttää vettä.
3. Varmista, että vivusto, jouset ja ohjaimet ovat puhtaat.
4. Tarkista, ettei äänenvaimentimessa ole halkeamia, syöpmistä tai muita vaurioita.
5. Poista ilmanohjain tai kipinäsuoja (mikäli varusteena) ja tarkista, ettei siinä ole vaurioita tai hiilen aiheuttamia tukoksia. Varmista, että varaosat on puhdistettu tai asennettu paikoilleen ennen laitteen käyttöä.
6. Jos sellaiset on varusteina, varmista, että öljynjäähdyttimen rivat ovat puhtaat.

## Moottoriöljyn vaihtaminen



## VAROITUS

Polttoaine ja polttoainehöyryt ovat helposti syttyviä ja räjähdysherkkiä. Tulipalo tai räjähdys voi aiheuttaa palovammoja tai kuoleman.

Moottori ja äänenvaimennin kuumenevat käytön aikana. Kuumen moottorin koskettaminen voi aiheuttaa palovammoja.

- Jos öljy valutetaan pois yläpuolisen täyttöputken kautta, on polttoainesäiliön oltava tyhjä. Jos se ei ole tyhjä, mahdollinen polttoainevuoto voi aiheuttaa tulipalon tai räjähdysvaaran.
- Sammuta moottori ja odota kaksi (2) minuuttia ennen moottoriin tai äänenvaimentimeen koskemista. Varmista, että on turvallista koskea moottoriin tai äänenvaimentimeen.

Käytetty öljy on vaarallista jätettä, ja se on hävitettävä asianmukaisesti. Älä hävitä sitä talousjätteen mukana. Pyydä paikallisilta jätehuoltoviranomaisilta, huollosta tai jälleenmyyjältä tietoja turvallisesta hävittämisestä tai kierrätyspaikoista.

Öljyn vaihto ei ole tarpeen **Just Check & Add™** -malleille. Jos öljynvaihto on tarpeen, noudata jäljempänä olevia ohjeita.

## Öljyn poistaminen

1. Kun moottori on sammuksissa, mutta vielä lämmin, irrota sytytystulppien johdot (D, kuva 21) ja pidä ne poissa sytytystulppista (E).
2. Poista mittatikku (A, kuva 22).
3. Moottorissa on kaksi öljyn valutustulppaa (H, F, kuva 23). Poista öljyn valutustulpat (H, F). Valuta öljy tarkoitukseen sopivaan asiaan.
4. Asenna ja kiristä öljyn tyhjennustulpat (H, F, kuva 23).

## Öljyn lisääminen

- Varmista, että moottori on vaakasuorassa.
- Poista epäpuhtaudet öljykorkin ympäriltä.
- Öljylilavuutta koskevat tiedot löytyvät **teknisistä tiedoista**.

1. Poista mittatikku. Katso osio **Öljyn poistaminen**.
2. Lisää öljyä hitaasti yhteen moottorin täyttöaukoista (C, G, kuva 24). Älä lisää liikaa öljyä.
3. Odota minuutti ja tarkista öljyn määrä.

4. Aseta mittatikku paikalleen.
5. Poista mittatikku ja tarkasta öljytaso. Öljyn määrä on oikea, kun öljy ulottuu mittatikuun täyttä tasoa osoittavan merkin yläosaan. Katso kohta **Öljymäärän tarkistaminen**.
6. Asenna mittatikku uudelleen paikalleen ja kiristä se.
7. Kytke sytytystulpan johto/johdot sytytystulppaan/-tulppiin. Katso kohta **Öljyn poistaminen**.

## Vaihda alennusvaihteen öljy

Joissakin moottoreissa on alennusvaihteisto. Jos moottorissa on alennusvaihteisto, katso seuraavat alennusvaihteistoa koskevat ohjeet.

### 2:1 Ketjun alennusyksikkö

Jos moottorissa on 2:1 ketjun alennusyksikkö (G, kuva 25), öljyä ei tarvitse vaihtaa. Koneessa oleva öljy voitelee myös ketjun alennusyksikön.

### 2:1 Kosteaa kytkimen alennusyksikkö

Jos moottorissa on 2:1 märkäkytkimen alennusvaiheyksikkö, toimi seuraavien vaiheiden mukaan:

1. Poista mittatikku (A, kuva 26).
2. Irrota valutustulppa (B, kuva 26) ja tyhjennä öljy hyväksytyyn astiaan.
3. Asenna ja kiristä öljynpoistoaukon tulppa (B, kuva 26).
4. Lisää öljyä hitaasti öljyn täyttöaukkoon (C, kuva 26). Katso kohta **Tekniset tiedot**.
5. Aseta mittatikku paikalleen (A, kuva 26).
6. Poista mittatikku (A, kuva 26) ja tarkasta öljytaso. Öljytaso on oikea, kun öljy ulottuu mittatikuun täyttä tasoa osoittavan merkin yläosaan (D).
7. Aseta mittatikku paikalleen (A, kuva 26).

### 6:1 Alennusvaihte

Jos moottorissa on 6:1 alennusvaihteisto, toimi seuraavien vaiheiden mukaan:

1. Poista öljyntäyttöaukon tulppa (A, kuva 27) ja öljymäärän tarkistustulppa (B).
2. Irrota öljyn valutustulppa (C, kuva 27) ja tyhjennä öljy hyväksytyyn astiaan.
3. Asenna ja kiristä öljyn valutustulppa (C, kuva 27).
4. Lisää alennusvaihteen öljyä (80W-90) hitaasti öljyn täyttöaukkoon (D, kuva 27). Jatka alennusvaihteen öljyn (80W-90) lisäämistä, kunnes öljyä tulee ulos öljytason tarkistusreiästä (E).
5. Asenna ja kiristä öljymäärän tarkistustulppa (B, kuva 27).
6. Asenna ja kiristä öljyntäyttöaukon tulppa (A, kuva 27).

**HUOMIO:** Öljyntäyttöaukon tulpassa (A, kuva 27) on huuhotusreikä (F), ja se täytyy asentaa vaihekotelon kannen yläosaan kuvan osoittamalla tavalla.

## Ilmanpuhdistimen huolto



**VAROITUS**  
Polttoainehöyryt syttyvät helposti ja voivat räjähtää. Tulipalo tai räjähdys voi aiheuttaa palovammoja tai kuoleman.

- Moottoria ei saa käynnistää tai käyttää, jos ilmanpuhdistin (mikäli varusteena) tai ilmansuodatin (mikäli varusteena) on irrotettu.

### HUOMAA

Älä käytä suodattimen puhdistamiseen paineilmaa tai liuottimia. Paineilma voi vahingoittaa suodatinta ja liuottimet sulattavat sen.

Katso huoltovaatimukset **Huoltoaikataulusta**.

Malleissa on joko vaahtomuovi- tai paperisuodatin. Joissakin malleissa saattaa lisäksi olla esisuodatin, joka voidaan pestä ja käyttää uudelleen. Vertaa tämän käyttöoppaan kuvitusta omaan koneeseesi asennettuun malliin ja huolla se seuraavalla tavalla.

### Paperinen ilmansuodatin

1. Löysää kiinnike/kiinnikkeet (C, kuva 28).
2. Irrota kansi (A, kuva 28) ja suodatin (B).
3. Irrota roskat napauttamalla suodatinta kevyesti (B, kuva 28) kovaa pintaa vasten. Jos suodatin on likainen, vaihda se uuteen.
4. Asenna suodatin (B, kuva 28).
5. Asenna kansi (A, kuva 28) paikalleen ja kiinnitä kiinnikkeellä/kiinnikkeillä (C). Varmista, että kiinnikkeet ovat tiukalla.

### Paperinen ilmansuodatin – matalaprofiilinen

1. Siirrä salpaa avataksesi (A, kuva 29) kannen (C) lukituksen.
2. Paina kielekkeet sisään (B, kuva 29) ja irrota kansi (C).

3. Irrota suodatin (D, kuva 29).
4. Irrota roskat napauttamalla suodatinta kevyesti (D, kuva 29) kovaa pintaa vasten. Jos suodatin on likainen, vaihda se uuteen.
5. Asenna suodatin (D, kuva 29).
6. Laita kansi paikalleen (C, kuva 29). Siirrä salpa (A) lukittuun asentoon.

**HUOMIO:** Tarkista vaahtomuovitiivisten istuvuus (E, kuva 29). Varmista, että reunan vaahtomuovitiiviste on kanavassa (F) oikealla paikallaan.

## Polttoainejärjestelmän huolto



**VAROITUS**  
Polttoaine ja polttoainehöyryt ovat helposti syttyviä ja räjähdysherkkiä. Tulipalo tai räjähdys voi aiheuttaa palovammoja tai kuoleman.

- Suojaa polttoaine kipinöiltä, avotulelta, sytytysliekiltä, lämmöltä ja muilta sytytyslähteiltä.
- Tarkista usein, ettei polttoaineputkissa, polttoainesäiliössä, säiliön korkissa tai liittimissä ole murtumia eikä vuotoja. Vaihda vaurioituneet osat.
- Jos polttoainetta läikkyä, odota sen haihtumista ennen moottorin käynnistämistä.

### Polttoainesiivilä, jos asennettuna

1. Irrota polttoainesäiliön korkki (A, kuva 30).
2. Irrota polttoainesiivilä (B, kuva 30).
3. Jos polttoainesiivilä on likainen, puhdista tai vaihda se. Jos vaihdat polttoainesiivilän, varmista, että käytät alkuperäistä varaosasiivilää.

## Varastointi

### Polttoainejärjestelmä

Katso kuvaa: 31.



**VAROITUS**  
Polttoaine ja polttoainehöyryt ovat helposti syttyviä ja räjähdysherkkiä. Tulipalo tai räjähdys voi aiheuttaa palovammoja tai kuoleman.

#### Polttoaineen säilytys

- Koska sytytysliekit ja muut syttymislähteet saattavat aiheuttaa räjähdyksen, tulee polttoaine tai laite säilyttää kaukana lämmityskattiloista, uuneista, vedenlämmittimistä tai muista sytytysliekillä varustetuista laitteista.

Säilytä moottoria vaakatasossa (normaalissa käyttöasennossa). Täytä polttoainesäiliö (A, kuva 31) polttoaineella. Älä täytä polttoainesäiliötä yli sen kaulan (B), jotta polttoaineen laajenemiselle jäisi tilaa.

Polttoaine saattaa vanhentua, jos sitä säilytetään polttoainesäiliössä yli 30 päivää. Alkoholitonta polttoaineen lisäaineen ja etanolin käyttöä polttoaineen varastointiasussa suositellaan polttoaineen pilaantumisen estämiseksi ja polttoaineen pitämiseksi tuoreena.

Kun lisää polttoainesäiliöön polttoainetta, lisää alkoholitonta polttoaineen lisäainetta valmistajan ohjeiden mukaan. Jos moottorin polttoainetta ei ole käsitelty lisäaineella, se on tyhjennettävä hyväksytyyn säiliöön. Anna moottorin käydä, kunnes polttoaine loppuu.

## Moottoriöljy

Vaihda moottoriöljy kun moottori on vielä lämmin. Katso kohdasta **Moottoriöljyn vaihtaminen**.

## Vianmääritys

### Tuki

Lisäohjeita saat ottamalla yhteyttä paikalliseen jälleenmyyjään, siirtymällä osoitteeseen **BRIGGSandSTRATTON.COM** tai soittamalla numeron **1-800-444-7774** (Yhysvalloissa).

## Tekniset tiedot ja huolto-osat

Tekniset tiedot	Malli: 10V000	Malli: 12V000
Iskutilavuus	10.313 ci (169 cc)	12.387 ci (203 cc)
Männän halkaisija	2.44 in (62 mm)	2.677 in (68 mm)
Iskun pituus	2.204 in (56 mm)	2.204 in (56 mm)
Öljytilavuus	18 - 20 oz (.54 - .59 l)	18 - 20 oz (.54 - .59 l)
2:1 Märkäkytkimen alennus – Öljytyyppi	10W-30	10W-30

Tekniset tiedot	Malli: 10V000	Malli: 12V000
2:1 Märkäkytkimen alennus – Öljytilavuus	10 oz (.30 l)	10 oz (.30 l)
6:1 Alennusvaihte – Öljytyyppi	80W-90	80W-90
6:1 Alennusvaihte – Öljytilavuus	4 oz (12 l)	4 oz (12 l)
Sytytystulpan kärkiväli	.030 in (.76 mm)	.030 in (.76 mm)
Sytytystulpan kiristysmomentti	180 tuumapauna (20 Nm)	180 tuumapauna (20 Nm)
Sytytyspuolan ilmaväli	.010 - .013 in (.25 - .35 mm)	.010 - .013 in (.25 - .35 mm)
Imuventtiilin välys	.004 - .006 in (.10 - .15 mm)	.004 - .006 in (.10 - .15 mm)
Pakovenntiilin välys	.005 - .007 in (.15 - .20 mm)	.005 - .007 tuumaa (.15 - .20 mm)

Tekniset tiedot	Malli: 25V000
Iskutilavuus	24.898 ci (408 cc)
Männän halkaisija	3.465 in (88 mm)
Iskun pituus	2.638 tuumaa (67 mm)
Vaijerin kiinnikkeen pultti	30 tuumapauna (3,4 Nm)
Johtokiinnikkeen ruuvi	25 tuumapauna (2,8 Nm)
Öljytilavuus	28 - 32 oz (.83 - .95 l)
Sytytystulpan kärkiväli	.030 in (.76 mm)
Sytytystulpan kiristysmomentti	180 tuumapauna (20 Nm)
Sytytyspuolan ilmaväli	.010 - .013 in (.25 - .35 mm)
Imuventtiilin välys	.004 - .006 in (.10 - .15 mm)
Pakovenntiilin välys	.005 - .007 in (.15 - .20 mm)

Moottorin teho laskee 3,5 % jokaista 300 metriä (1 000 jalkaa) kohti merenpinnan yläpuolella ja 1 % kutakin 5,6 celsiusastetta (10 °F) kohti yli 25 celsiusasteen (77 °F) lämpötilassa. Moottori toimii moitteettomasti aina 30° kulmaan saakka. Katso käyttöohjekirjasta turvalliset käyttörajat kaltevilla pinnoilla.

## Huolto-osat

Voit ostaa Briggs & Stratton -varaosia etsimällä valtuutetun huoltoliikkeen osoitteesta BRIGGSandSTRATTON.COM. Tunnistenumero tarvitaan (malli - tyyppi - trimmi). Löytääksesi moottorin tunnistenumeron katso ohjeet osiosta **"Ominaisuudet ja hallintalaitteet"**.

## Tehoarvot

Bruttoteholuokitus yksittäisille bensiinimootorimalleille on merkitty pienten moottorien tehon ja vääntömomentin luokittelua koskevan SAE-standardin (Society of Automotive Engineers) J1940 (Small Engine Power & Torque Rating Procedure) mukaan, ja se on mitoitettu SAE J1995:n mukaisesti. Vääntömomenttiarvot on saatu käyntinopeudella 2 600 r/min, jos moottorin käyntinopeus on mainittu tarrassa, ja muussa tapauksessa käyntinopeudella 3 060 r/min; hevosvoima-arvot käyntinopeudella 3 600 r/min. Bruttotehokäyrät ovat nähtävissä sivustolla [www.BRIGGSandSTRATTON.COM](http://www.BRIGGSandSTRATTON.COM). Nettotehoarvot on mitattu pakoputki ja ilmanpuhdistin asennettuina, mutta bruttotehoarvot mitataan ilman näitä oheislaitteita. Moottorin todellinen bruttoteho on nettotehoa suurempi, ja siihen vaikuttavat mm. ympäristön käyttöolosuhteet ja moottorikohtaiset vaihtelut. Koska moottoreita asennetaan hyvin erilaisiin laitteisiin, bensiinimoottori ei välttämättä saavuta sille arvioitua bruttotehoa yksittäisessä moottoridussa laitteessa. Tämä ero johtuu monista eri tekijöistä, esimerkiksi moottorin osien erilaisuudesta (ilmanpuhdistin, pakoputki, lataus, jäähdytys, kaasutin, polttoainepumppu, jne.), käyttörajoituksista, ympäristön käyttöolosuhteista (lämpötila, kosteus, korkeus) ja moottorien yksilöllisestä vaihtelusta. Valmistus- ja kapasiteettirajoitusten vuoksi Briggs & Stratton voi vaihtaa moottorin saman sarjan tehokkaampaan versioon.

## Takuu

### Briggs & Stratton® -moottorin takuu

Voimassa alkaen maaliskuusta 2023

#### Rajoitettu takuu

Briggs & Stratton takaa, että jäljempänä määriteltyinä takuuaikana se korjaa tai vaihtaa veloituksetta oman harkintansa mukaan materiaali- ja/tai valmistusvirian sisältävän osan uuteen, kunnostettuun tai uudelleenvalmistettuun osaan. Ostajan on maksettava takuukorjattavan tai takuuuudettavan tuotteen kuljetuskustannukset. Tämä takuu on voimassa jäljempänä esitetyin ajan ja jäljempänä esitetyillä ehdoilla. Jos tarvitet takuuuudetta, etsi lähin valtuutettu huoltoilike löytyy Etsi lähin

jälleenmyyjä -työkälulla osoitteesta BRIGGSandSTRATTON.COM. Ostajan täytyy olla yhteydessä valtuutettuun huoltomyyjään ja toimittaa tuote valtuutetulle huoltomyyjälle tarkastettavaksi ja testattavaksi.

**Muuta nimenomaista takuuta ei myönnetä. Konkluentitiset takuut, myös kaupakelpoisuutta ja käyttötarkoitukseen sopivuutta koskevat takuut, on rajattu yhteen vuoteen ostopäivästä tai lain sallimiin rajoihin. Muita konkluentitisia takuita ei myönnetä. Vastuu välillisistä tai oheisvahingoista ei kuulu tämän takuun piiriin siinä määrin, kuin lainsäädäntö tällaisen takuurajoituksen sallii.** Jotkin osavaltiot tai maat eivät salli rajoituksia sen suhteen, kuinka pitkään epäsuora takuu kestää, ja jotkin osavaltiot tai maat eivät salli satunnaisten tai välillisten vahinkojen poissulkemista tai rajoittamista, joten edellä mainittu rajoitus ja poissulkeminen ei välttämättä koske sinua. Tämä takuu antaa teille nimenomaiset lailliset oikeudet ja teillä saattaa olla myös muita oikeuksia Suomen lain mukaan .

## Tavanomaiset takuehdot<sup>1, 2</sup>

### Vanguard®; CXi-sarja

Kuluttajakäyttö – 36 kuukautta

Kaupallinen ja ammattikäyttö – 36 kuukautta

### XR-sarja

Kuluttajakäyttö – 24 kuukautta

Kaupallinen ja ammattikäyttö – 24 kuukautta

### Kaikki muut valurautaisella Dura-Bore™-valurautaputkella varustetut moottorit

Kuluttajakäyttö – 24 kuukautta

Kaupallinen ja ammattikäyttö – 12 kuukautta

### Kaikki muut moottorit

Kuluttajakäyttö – 24 kuukautta

Kaupallinen ja ammattikäyttö – 3 kuukautta

<sup>1</sup> Nämä ovat Briggs & Strattonin vakiotakuehdot; takuu saattaa toisinaan kattaa myös muita alueita, joita ei ole määritetty julkaisuhetkellä. Omaa moottoriasi koskevat tämänhetkiset takuehdot löytyvät osoitteesta BRIGGSandSTRATTON.com. Saat ne myös ottamalla yhteyttä lähimpään valtuutettuun Briggs & Stratton -huoltoilikeeseen.

<sup>2</sup> Takuuta ei myönnetä hyötykäytössä voiman tuottamiseen käytettävien laitteiden moottoreille, kaupallisessa käytössä oleville varageneraattoreille, nopeampaa kuin 25 mph kulkeville ajoneuvoille tai kilpa-ajoissa tai kaupallisilla tai vuokratuilla käytettäville moottoreille.

Takuu-aika alkaa sillä päivämäärällä, jolloin ensimmäinen kuluttaja tai kaupallinen loppukäyttäjä ostaa laitteen. Takuu on voimassa yllä olevassa taulukossa mainittu takuuaika. "Kuluttajakäytöllä" tarkoitetaan vähittäisasiakkaan henkilökohtaista kotitalouskäyttöä. "Kaupallisella käytöllä" tarkoitetaan kaikkea muuta käyttöä, kuten käyttöä kaupalliseen toimintaan, tulohankintaan tai vuokraukseen. Jos moottori on ollut kaupallisessa käytössä, sitä pidetään sen jälkeen kaupalliseen käyttöön tarkoitettuna moottorina tämän takuun osalta.

**Briggs & Stratton -tuotteiden takuu ei edellytä takuun rekisteröintiä erikseen. Säilytä kuitti todisteena ostopäivästä. Mikäli laitteen alkuperäistä ostopäivää ei pystytä osoittamaan takuuuudellon pyytämisen hetkellä, tuotteen valmistuspäivä katsotaan takuuaajan alkamispäiväksi.**

#### Takuehdot

Tämä takuu kattaa vain moottoriin liittyvät vialliset materiaalit ja/tai työvirheet eikä mitään vaihto-osia eikä korvausta laitteesta, johon moottori on kiinnitetty. Tämä takuu ei kata säännöllisesti suoritettavia huoltotoimenpiteitä, viritäisiä, säätöjä tai tavallista kulumista. Takuu ei myöskään ole voimassa siinä tapauksessa, että moottoria on muunneltu tai moottorin sarjanumero on sotkettu tai poistettu. Tämä takuu ei kata moottorin vahinkoja tai suorituskykyongelmia, jotka ovat aiheutuneet seuraavista syistä:

- Muiden Briggs & Stratton kuin alkuperäisten -osien käyttö;
- Moottorin käyttäminen riittämättömän öljymäärän, likaantuneen öljyn tai väärän öljyalaudun kanssa;
- likaantuneen tai vanhan polttoaineen käyttö, etanolilla käsitellyn bensiinin, jonka etanolipitoisuus on yli 10 % tai vaihtoehtoisten polttoaineiden, kuten nestekaasun tai maakaasun käyttö moottoreissa, joita Briggs & Stratton ei ole alun perin suunnitellut/valmistanut toimimaan sellaisilla polttoaineilla
- lika, joka on päässyt moottoriin, koska ilmansuodatin on huollettu tai koottu uudelleen väärin
- Pyörivän ruohonleikkurin leikkausterän iskeytyminen johonkin esineeseen, löysät tai väärin asennetut teränsäkiinnikkeet, tuuletin tai muut kampiakseliin kytketyt laitteet tai kilaahinnan liiallinen kireys;
- moottoriin liittyvät osat tai kokoonpanot, kuten kytkimet, voimansiirto, laitteiston ohjaimet jne., jotka eivät ole Briggs & Stratton toimittamia
- Ylikuumentuminen, joka johtuu leikkujätteistä, liasta ja roskista tai jyräsiöiden pesistä, jotka tukkivat jäähdytysriipojen tai juoksupyörän alueen, tai moottorin käyttämisestä ilman riittävää ilmanvaihtoa;

8. Liiallinen tärinä, joka johtuu ylikierroksista, moottorin löysästä kiinnityksestä, löysistä tai epätasapainossa olevista tuulettimista tai laitteen osien vääränlaisesta kiinnityksestä kampiakseliin;
9. Laitteiston väärinkäyttö, säännöllisen kunnossapidon laiminlyönti, kuljetus, käsittely tai varastointi tai moottorin väärä asennus.

Takuuhuoltoa on saatavilla ainoastaan valtuutetuista Briggs & Stratton -huoltoliikkeistä. Lähimmän valtuutetun huolto liikkeen löydät jälleenmyyjäkartalta osoitteessa BRIGGSandSTRATTON.COM tai soittamalla numeroon 1-800-444-7774 (Yhdysvalloissa).

80114782 (Versio B)

## Briggs & Stratton Emissions Warranty

### Manufacturer's Warranty Coverage:

The exhaust emissions control system on your engine is warranted for two years. If any emissions-related part on your engine is defective, the part will be repaired or replaced by B&S.

### Owner's Warranty Responsibilities:

- As the engine owner, you are responsible for the performance of the required maintenance listed in your owner's manual. B&S recommends that you retain all receipts covering maintenance on your engine, but B&S cannot deny warranty coverage solely for the lack of receipts or for your failure to ensure the performance of all scheduled maintenance.
- As the engine owner, you should however be aware that B&S may deny you warranty coverage if your engine or a part has failed due to abuse, neglect, or improper maintenance or unapproved modifications.
- You are responsible for presenting your engine to a B&S distribution center or service center as soon as the problem exists. The warranty repairs shall be completed in a reasonable amount of time, not to exceed 30 days. If you have a question regarding your warranty rights and responsibilities, you should contact B&S at 1-800-444-7774 (in USA) or BRIGGSandSTRATTON.COM.

80130178 Revision A

Not for  
Reproduction



## Informations Généralités



Ce manuel contient des informations de sécurité concernant les dangers et risques liés au moteur, ainsi que la manière de les éviter. Il contient également toutes les consignes de fonctionnement et d'entretien de ce moteur. Il est important de lire, comprendre et suivre ces instructions. **Conserver ce manuel pour référence ultérieure.**

**REMARQUE :** Les figures et illustrations de ce manuel sont fournies seulement à titre d'information. Elles peuvent différer selon le modèle de votre appareil. Suivre les figures qui correspondent à la configuration de votre moteur. Contacter un réparateur agréé si nécessaire.

Pour obtenir des pièces de rechange, noter la date d'achat, ainsi que le modèle, le type, la coupe et le numéro de série du moteur. Ces numéros sont situés sur le moteur. Consulter la section **Fonctions et commandes**.

Date d'achat	
Modèle – Type – Coupe du moteur	
Numéro de série du moteur	

## Coordonnées de contact du bureau européen

Pour toute question concernant les émissions européennes, veuillez contacter notre bureau européen, situé à l'adresse :

Max-Born-Straße 2, 68519 Viernheim, Allemagne.


## Étape V (5) de l'Union Européenne (UE) : Taux de dioxyde de carbone (CO2)

Saisir « CO2 » dans la fenêtre de recherche du site BriggsandStratton.com pour trouver les taux de dioxyde de carbone des moteurs Briggs & Stratton avec les certificats d'approbation pour l'UE.

## Sécurité de l'utilisateur

### Symboles de sécurité et mots-indicateurs



Le symbole de sécurité  identifie les informations de sécurité relatives aux dangers pouvant entraîner des blessures. Les mots-indicateurs (**DANGER**, **AVERTISSEMENT** ou **ATTENTION**) sont utilisés pour indiquer la probabilité et la gravité potentielle des blessures. En outre, un symbole de danger est utilisé pour représenter le type de danger.









**DANGER** indique un danger qui, si non évité, **entraînera** la mort ou une blessure grave.



**AVERTISSEMENT** indique un danger qui, si non évité, **peut** entraîner la mort ou une blessure grave.

**ATTENTION** indique un danger qui, si non évité, **pourrait** causer des blessures mineures ou modérées.

**AVIS** indique les informations considérées comme importantes, mais non relatives aux dangers.

### Symboles de risque et leurs significations

 Informations de sécurité relatives aux dangers pouvant provoquer des dommages corporels.	 Lire attentivement le contenu du manuel de l'utilisateur avant de faire fonctionner l'appareil ou d'intervenir dessus.
 Danger d'incendie	 Danger d'explosion
 Risque de décharge électrique	 Danger de fumées toxiques
 Danger de surface chaude	 Danger d'effet de recul

 Risque d'amputation - pièces mobiles	 Niveau de carburant - Maximum Ne pas trop remplir le réservoir
---	--



## Messages de sécurité



### AVERTISSEMENT

Les moteurs Briggs & Stratton® ne sont pas conçus pour les équipements suivants et ne doivent pas être utilisés pour les alimenter : karts de loisir ; karts de course ; véhicules de loisir pour les enfants et de sport tous-terrains (ATVs) ; motocycles ; aéroglisseurs ; engins aériens ; ou véhicules utilisés lors de compétitions non approuvées par Briggs & Stratton. Pour plus d'informations concernant les produits destinés à la compétition, consulter [www.briggsracing.com](http://www.briggsracing.com). Pour une utilisation avec des véhicules tout terrain utilitaires et côte à côte, veuillez contacter le Centre d'application de puissance Briggs & Stratton, au 1-866-927-3349. Une utilisation incorrecte du moteur pourrait entraîner la mort ou de graves blessures.

## Informations de recyclage

		Recyclez l'ensemble des cartons, boîtes, huiles usagées et piles conformément aux réglementations gouvernementales.
---	--	---

## Fonctions et commandes









### Commandes du moteur

Comparer les lettres de référence des Figures 1, 2 et 3 avec les commandes du moteur dans la liste suivante :

- A. Numéros d'identification du moteur **Modèle - Type - Code**
- B. Bougie
- C. Réservoir de carburant et bouchon
- D. Filtre à air
- E. Poignée du cordon du démarreur
- F. Jauge d'huile
- G. Orifice de remplissage d'huile
- H. Bouchon de vidange de l'huile
- I. Silencieux, protège-silencieux (si installé), pare-étincelles (si installé)
- J. Commande d'accélération/Robinet d'arrêt du carburant/TransportGuard™
- K. Commande de starter
- L. Grille d'admission d'air
- M. Commutateur de démarrage électrique (si installé)
- N. Réducteur (si installé)

Certains moteurs et équipements disposent de commandes à distance. Se reporter au manuel de l'équipement pour connaître l'emplacement et l'utilisation des commandes à distance.

### Symboles des commandes du moteur et significations

 Régime moteur - RAPIDE	 Régime moteur - LENT
 Régime moteur - ARRÊT	 MARCHE - ARRÊT
 Démarrage du moteur Starter « FERMÉ »	 Démarrage du moteur Starter « OUVERT »
 Bouchon de carburant Robinet de carburant OUVERT	 Robinet de carburant FERMÉ

# Montage

## Conversion de la commande d'accélérateur

Le moteur standard dispose d'une commande manuelle d'accélération. Pour utiliser la commande manuelle d'accélération, installer une commande d'accélération à distance ou passer à un régime fixe. Se reporter aux instructions suivantes.

**REMARQUE :** Le régime moteur doit être réglé selon les spécifications de performance du fabricant de l'équipement. Contacter un distributeur agréé Briggs & Stratton pour obtenir de l'aide.

### Commande manuelle d'accélérateur

1. Tourner la commande d'accélération/le levier TransportGuard® (A, Figure 4) en position ARRÊT.
2. Retirer le ressort (S, Figure 4).

### Commande d'accélération à distance avec un câble tressé

Une commande d'accélération à distance avec un câble tressé peut être installée dans deux directions : **En direction de la culasse** ou en **direction avant**.

#### Rotation de culasse

1. Passer la commande d'accélération/le levier TransportGuard™ (A, Figure 5) en position ARRÊT.
2. Utiliser une clé de 10 mm pour desserrer l'écrou (P, Figure 5) d'un demi-tour sur la commande d'accélération/le levier TransportGuard® (A).
3. Maintenir l'écrou de fixation de câble (J, Figure 6) avec une clé de 10 mm, puis desserrer la vis (K).
4. Installer le câble tressé (L, Figure 6) en le passant par le trou de l'écrou de fixation de câble (J), puis serrer la vis (K). S'assurer que le câble tressé (L) ne dépasse pas de plus de 0,5 po (12,7 mm) du trou.
5. Desserrer la vis (I, Figure 6). Fixer le manchon de câble (N) sous le serre-câble (M), puis serrer la vis (I).
6. Vérifier le fonctionnement de la commande d'accélération à distance. Faire passer la commande d'accélération à distance de lente à rapide à 2 ou 3 reprises. S'assurer que la commande d'accélération à distance et le câble tressé (L, Figure 6) bougent librement. Ajuster l'écrou (P, Figure 7) comme souhaité pour sa position spécifique.

#### Direction avant

1. Positionner la commande d'accélération/le levier TransportGuard™ :
  - a. **Pour les modèles de moteurs 10V000 et 12V000 :** Tourner la commande d'accélération/le levier TransportGuard™ (A, Figure 8) en position RAPIDE.
  - b. **Pour les modèles de moteurs 25V000 :** Passer la commande d'accélération/le levier TransportGuard™ (A, Figure 8) en position ARRÊT.
2. Utiliser une clé de 10 mm pour desserrer l'écrou (P, Figure 7) d'un demi-tour sur la commande d'accélération/le levier TransportGuard® (A).
3. Maintenir l'écrou de fixation de câble (J, Figure 8) avec une clé de 10 mm, puis desserrer la vis.
4. Installer le câble tressé (L, Figure 8) en le passant par le trou de l'écrou de fixation de câble (J), puis serrer la vis (K). S'assurer que le câble tressé (L) ne dépasse pas de plus de 0,5 po (12,7 mm) du trou.
5. Desserrer la vis (I, Figure 8). Fixer le manchon de câble (N) sous le serre-câble (M), puis serrer la vis (I).
6. Vérifier le fonctionnement de la commande d'accélération à distance. Faire passer la commande d'accélération à distance de lente à rapide à 2 ou 3 reprises. S'assurer que la commande d'accélération à distance et le câble (L, 8) bougent librement. Ajuster l'écrou (P, Figure 7) comme souhaité pour sa position spécifique.

### Commande d'accélération à distance avec un câble tressé rigide

Une commande d'accélération à distance avec un câble tressé rigide peut être installée dans les quatre directions : **En direction de la culasse, en direction avant, en direction gauche, ou en direction droite**.

#### Rotation de culasse

1. Tourner la commande d'accélération/le levier TransportGuard® (A, Figure 9) en position ARRÊT.
2. Retirer le ressort (S, Figure 9).
3. Tourner la commande d'accélération/le levier TransportGuard® (A, Figure 9) en position RAPIDE.
4. Utiliser une clé de 10 mm pour desserrer l'écrou (P, Figure 4) d'un demi-tour sur la commande d'accélération/le levier TransportGuard® (A).
5. Poser l'accessoire en Z du câble tressé rigide (Q, Figure 9) sur l'un ou l'autre des petits trous du levier de renvoi (R).

6. Desserrer la vis (I, Figure 9). Fixer le manchon de câble (N) sous le serre-câble (M), puis serrer la vis (I).
7. Vérifier le fonctionnement de la commande d'accélération à distance. Faire passer la commande d'accélération à distance de lente à rapide à 2 ou 3 reprises. S'assurer que la commande d'accélération à distance et le câble tressé (L, Figure 9) bougent librement. Ajuster l'écrou (P, Figure 4) comme souhaité pour sa position spécifique.

#### Direction avant

1. Tourner la commande d'accélération/le levier TransportGuard® (A, Figure 10) en position ARRÊT.
2. Retirer le ressort (S, Figure 10).
3. Tourner la commande d'accélération/le levier TransportGuard® (A, Figure 10) en position RAPIDE.
4. Utiliser une clé de 10 mm pour desserrer l'écrou (P, Figure 4) d'un demi-tour sur la commande d'accélération/le levier TransportGuard® (A).
5. Poser l'accessoire en Z du câble tressé rigide (Q, Figure 10) sur l'un des deux petits trous du levier de renvoi (R).
6. Desserrer la vis (I, Figure 10). Fixer le manchon de câble (N) sous le serre-câble (M), puis serrer la vis (I).
7. Vérifier le fonctionnement de la commande d'accélération à distance. Faire passer la commande d'accélération à distance de lente à rapide à 2 ou 3 reprises. S'assurer que la commande d'accélération à distance et le câble (L, Figure 10) bougent librement. Ajuster l'écrou (P, Figure 4) comme souhaité pour sa position spécifique.

#### Direction de gauche

1. Tourner la commande d'accélération/le levier TransportGuard® (A, Figure 11) en position ARRÊT.
2. Retirer le ressort (S, Figure 4).
3. Tourner la commande d'accélération/le levier TransportGuard® (A, Figure 11) en position RAPIDE.
4. Utiliser une clé de 10 mm pour desserrer l'écrou (P, Figure 4) d'un demi-tour sur la commande d'accélération/le levier TransportGuard® (A, Figure 11).
5. Retirer le bouton de la commande d'accélération (W, Figure 11) pour laisser apparaître un petit trou (S).
6. Poser l'accessoire en Z du câble tressé rigide (L, Figure 11) sur le petit trou (S) du levier de la commande d'accélération (A).
7. Desserrer la vis (I, Figure 11). Fixer le manchon de câble (N) sous le serre-câble (M), puis serrer la vis (I).
8. Vérifier le fonctionnement de la commande d'accélération à distance. Faire passer la commande d'accélération à distance de lente à rapide à 2 ou 3 reprises. S'assurer que la commande d'accélération à distance et le câble (L, Figure 11) bougent librement. Ajuster l'écrou (P, Figure 4) comme souhaité pour sa position spécifique.

#### Direction de gauche

Pour installer la commande d'accélération à distance dans la direction droite, un support de fixation de câble (U, Figure 12) est requis. Voir la section **Spécifications et pièces de rechange** pour connaître la référence de la pièce. Pour acquérir un support de fixation de câble, contacter un réparateur agréé Briggs & Stratton.

1. Tourner la commande d'accélération/le levier TransportGuard® (A, Figure 12) en position ARRÊT.
2. Retirer le ressort (S, Figure 4).
3. Retirer le bouton de la commande d'accélération (W, Figure 12) pour laisser apparaître un petit trou (S).
4. Tourner la commande d'accélération/le levier TransportGuard® (A, Figure 12) en position RAPIDE.
5. Utiliser une clé de 10 mm pour desserrer l'écrou (P, Figure 4) d'un demi-tour sur la commande d'accélération/le levier TransportGuard® (A, 12).
6. Poser l'accessoire en Z du câble tressé rigide (L, Figure 12) sur le petit trou (S) du levier de la commande d'accélération (A).
7. Retirer le boulon (T, Figure 12). Installer le support de fixation de câble (U) comme indiqué. Fixer le support de fixation de câble (U) avec le boulon (T). Serrer le boulon (T) à 30 lb-po (3,4 Nm). Voir la section **Spécifications et pièces de rechange**.
8. Desserrer la vis (I, Figure 12). Fixer le manchon de câble (N) sous le serre-câble (M), puis serrer la vis (I).
9. Examiner le fonctionnement de la commande d'accélération à distance. Faire passer la commande d'accélération à distance de lente à rapide à 2 ou 3 reprises. S'assurer que la commande d'accélération à distance et le câble (L, Figure 12) bougent librement. Ajuster l'écrou (P, Figure 4) comme souhaité pour sa position spécifique.

## Régime moteur fixé (Sans câble de commande d'accélération)

En cas de passage à un régime moteur fixe, l'équipement ne dispose d'aucun câble de commande d'accélération ni d'aucune fonction de sélection de la vitesse. Le seul régime moteur est RAPIDE.

1. Tourner la commande d'accélération/le levier TransportGuard® (A, Figure 13) en position ARRÊT.
2. Retirer le ressort (S, Figure 13).
3. Tourner la commande d'accélération/le levier TransportGuard® (A, Figure 13) en position RAPIDE.
4. Veiller à ce que la vis du serre-fils (V, Figure 13) soit alignée avec le trou du support. Serrer la vis (V) à 25 lb-po (2,8 Nm).
5. Retirer la tringle de commande (H, Figure 13).

**REMARQUE :** À ce moment, la commande d'accélération/le levier TransportGuard® n'aura plus que deux positions : La position ARRÊT et la position MARCHE.

6. Poser la nouvelle étiquette MARCHE/ARRÊT TransportGuard® (O, Figure 14) sur l'étiquette de commande de vitesse existante située sur le panneau d'habillage (F).

## Fonctionnement



### AVERTISSEMENT

Les vapeurs de carburant sont inflammables et explosives. Les incendies ou les explosions peuvent entraîner de graves brûlures, voire la mort.

#### Si vous sentez une odeur de gaz

- Ne pas démarrer le moteur.
- Ne pas activer pas les interrupteurs électriques.
- Ne pas utiliser de téléphone à proximité.
- Évacuer la zone.
- Contacter les pompiers.

#### Lorsque vous utilisez l'équipement

- Ne pas basculer le moteur ou l'équipement à un angle qui risquerait de faire couler de l'essence.

#### Lorsque vous déplacez l'équipement

- S'assurer que le réservoir de carburant est VIDE ou que le robinet d'arrêt de carburant, si installé, est en position FERMÉ.

## Vérifier le niveau d'huile

### Avant de vérifier ou d'ajouter de l'huile

- Veiller à ce que le moteur soit sur une surface plane.
- Débarrasser les débris de la zone d'huile.
- Voir la section **Spécifications** pour les capacités d'huile.

### AVIS

Ce moteur est livré sans huile par Briggs & Stratton. Les fabricants d'équipements ou les concessionnaires pourraient avoir ajouté de l'huile au moteur. Vérifier le niveau d'huile avant de mettre le moteur en marche pour la première fois. Ajouter de l'huile en suivant les instructions de ce manuel. S'il est mis en marche sans huile, le moteur sera endommagé et ne sera pas couvert par la garantie.

1. Retirer la jauge (A, Figure 15) et l'essuyer avec un chiffon.
2. Remettre la jauge en place et la serrer (A, Figure 15).
3. Retirer la jauge d'huile et vérifier le niveau d'huile. Vérifier que le niveau d'huile atteint le haut du repère plein (B, Figure 15) sur la jauge.
4. Le moteur dispose de deux remplissages d'huile (C, G, Figure 16). Si le niveau d'huile est insuffisant, verser doucement de l'huile dans les orifices de remplissage d'huile du moteur (C, G). Ne pas ajouter trop d'huile. Après avoir ajouté de l'huile, attendre une minute, puis vérifier à nouveau le niveau d'huile. S'assurer que le niveau d'huile est approprié.
5. Remettre la jauge en place et la serrer (A, Figure 15).

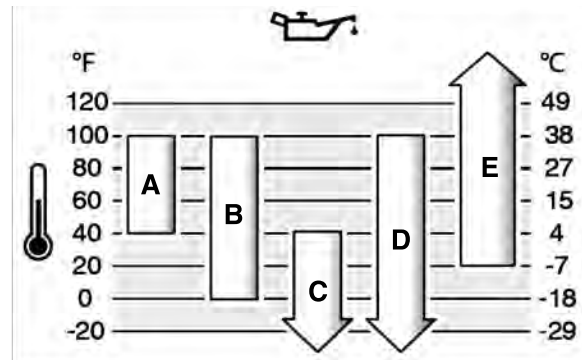
## Recommandations concernant l'huile

**Capacité d'huile :** Se reporter à la section **Spécifications**.

Nous recommandons l'utilisation d'huiles garanties et certifiées Briggs & Stratton® pour obtenir les meilleures performances. D'autres huiles détergentes de haute qualité sont acceptables si elles sont de catégorie SF, SG, SH, SJ ou supérieure. Ne pas utiliser d'additifs spéciaux.

Utiliser le tableau pour sélectionner la meilleure viscosité pour la plage de températures extérieures prévues. Les moteurs de la plupart des équipements d'alimentation extérieurs fonctionnent bien avec de l'huile synthétique 5W-30. Pour les équipements

utilisés par grande chaleur, l'huile synthétique Vanguard® 15W-50 offre la meilleure protection.



A	SAE 30 - À une température inférieure à 40 °F (4 °C), l'utilisation de SAE 30 entraînera un démarrage du moteur difficile.
B	10W-30 - Au-dessus de 80 °F (27 °C), l'utilisation d'huile 10W-30 peut augmenter la consommation d'huile. Vérifier le niveau d'huile fréquemment.
C	5W-30
D	5W-30 synthétique
E	Vanguard® Synthétique 15W-50

## Système de protection contre le manque d'huile (s'il est installé)

Un capteur de niveau d'huile bas est installé sur certains moteurs. Si le niveau d'huile est insuffisant, le capteur active un voyant d'avertissement ou arrête le moteur. Arrêter le moteur et procéder comme décrit ci-dessous avant de remettre en marche le moteur.

- Veiller à ce que le moteur soit sur une surface plane.
- Faites une vérification d'huile. Se reporter à la section **Vérification du niveau d'huile**.
- Si le niveau d'huile est insuffisant, faire l'appoint avec la quantité d'huile nécessaire. Mettre le moteur en marche et s'assurer que le voyant d'avertissement (s'il est installé) ne s'allume pas.
- Si le niveau d'huile est correct, ne pas faire démarrer le moteur. Contacter un réparateur agréé Briggs & Stratton pour corriger le problème d'huile.

## Recommandations concernant le carburant

**Le carburant doit répondre à ces exigences :**

- Essence sans plomb, propre et fraîche.
- Au minimum 87 octanes/87 AKI (91 RON). Utilisation en haute altitude, voir ci-dessous.
- L'essence contenant jusqu'à 10 % d'éthanol (alcool fabriqué à partir de grain) est autorisée.

### AVIS

Ne pas utiliser d'essence non approuvée telle que l'E15 ou l'E85. Ne pas mélanger de l'huile au carburant et ne pas modifier le moteur afin qu'il puisse fonctionner avec d'autres carburants. L'utilisation de carburants non approuvés peut endommager les composants du moteur, ce qui n'est pas couvert par la garantie.

Pour empêcher la formation de gomme et de corrosion dans le circuit d'alimentation, ajouter un stabilisateur de carburant sans alcool et un traitement éthanol au carburant. Se reporter à la section **Entreposage**. Tous les carburants ne sont pas identiques. Si des problèmes de démarrage ou de performance se produisent, changer de fournisseur de carburant ou de marque. Ce moteur est certifié pour fonctionner à l'essence. Le système de contrôle des émissions pour les moteurs à carburateur est EM (Modifications du moteur). Les systèmes de contrôle des émissions pour les moteurs à injection électronique de carburant sont : ECM (module de contrôle moteur), MFI (injection multipoint de carburant), TBI (injection de carburant par corps de papillon) et, si équipée, une O2S (sonde d'oxygène).

### Haute altitude

À des altitudes supérieures à 5 000 pieds (1524 mètres), de l'essence d'au minimum 85 octane/85 AKI (89 RON) est autorisée.

Pour les moteurs à carburateur, il est nécessaire d'effectuer un réglage pour hautes altitudes pour maintenir son rendement. Faire fonctionner le moteur sans ce réglage donnera lieu à des performances moindres, une consommation de carburant supérieure et une augmentation des émissions. Contacter un réparateur agréé Briggs & Stratton pour davantage d'informations sur les réglages pour haute altitude. Il n'est pas recommandé de faire fonctionner le moteur à des altitudes inférieures à 2 500 pieds (762 mètres) si le réglage haute altitude est activé.

Il n'est pas nécessaire de faire un ajustement pour haute altitude sur les moteurs à injection électronique de carburant (EFI).

## Ajout de carburant



### AVERTISSEMENT

Le carburant et ses vapeurs sont inflammables et explosifs. Les incendies ou les explosions peuvent entraîner de graves brûlures, voire la mort.

#### Lorsque de l'ajout de carburant

- Arrêter le moteur. Avant de retirer le bouchon du réservoir de carburant, attendre au moins deux (2) minutes pour s'assurer que le moteur est froid.
  - Remplir le réservoir de carburant à l'extérieur ou dans un endroit bien aéré.
  - Ne pas trop verser de carburant dans le réservoir. Pour permettre l'expansion du carburant, ne pas dépasser le bas du col de remplissage du réservoir en effectuant le plein.
  - Garder le carburant loin des étincelles, des flammes nues, des lampes témoins, de chaleur et d'autres sources d'inflammation.
  - Inspecter fréquemment les conduites de carburant, le réservoir de carburant, le bouchon de carburant et les connexions pour vérifier la présence de fissures ou de fuites. Remplacer les pièces endommagées.
  - Si du carburant se répand, attendre jusqu'à ce qu'il sèche avant de mettre le moteur en marche.
1. Nettoyer la zone autour du bouchon du réservoir en enlevant toute la poussière et les débris. Retirer le bouchon d'essence.
  2. Remplir le réservoir (A, Figure 17) avec du carburant. Pour permettre au carburant de se détendre, ne dépassez pas la base du col du réservoir de carburant en le remplissant (B).
  3. Replacer le bouchon de réservoir de carburant.

## Mise en marche du moteur



### AVERTISSEMENT

**RISQUE LIÉ AUX GAZ TOXIQUES.** Les gaz d'échappement du moteur contiennent du monoxyde de carbone, un gaz toxique qui peut vous tuer en quelques minutes. Même si vous ne sentez pas l'odeur des gaz d'échappement, vous courez toujours le risque de respirer du monoxyde de carbone, ce qui est dangereux pour la santé. Si vous commencez à vous sentir malade, pris(e) de vertiges ou faible lorsque vous utilisez ce produit, coupez le moteur et allez vous aérer IMMÉDIATEMENT. Consultez un médecin. Il se peut que vous soyez victime d'un empoisonnement au monoxyde de carbone.

- Le monoxyde de carbone peut s'accumuler dans les espaces occupés. Utilisez cet équipement UNIQUEMENT à l'extérieur et en vous tenant éloigné(e) des fenêtres, portes et ouvertures d'aération pour réduire le risque lié au monoxyde de carbone.
- Installez des alarmes à monoxyde de carbone fonctionnant à piles ou alimentées par câble avec batterie de secours, selon les indications du fabricant. Les détecteurs de fumée ne peuvent pas déceler la présence de monoxyde de carbone.
- NE PAS faire fonctionner cette machine à l'intérieur de maisons, de garages, de sous-sols, de vides sanitaires, de remises de jardin ou d'autres espaces confinés, même si des ventilateurs, des portes ou des fenêtres ouvertes facilitent l'aération. Après le fonctionnement de la machine, le monoxyde de carbone peut rapidement s'accumuler dans ces espaces et y rester pendant plusieurs heures.
- Disposer TOUJOURS cet équipement dans le sens du vent et orienter l'échappement du moteur dans la direction opposée aux espaces occupés.



### AVERTISSEMENT

Le carburant et ses vapeurs sont inflammables et explosifs. Les incendies ou les explosions peuvent entraîner de graves brûlures, voire la mort.

#### Lorsque vous mettez le moteur en marche

- S'assurer que la bougie d'allumage, le silencieux, le bouchon du réservoir de carburant et le filtre à air (si équipé) sont correctement installés.
- Lorsque la bougie d'allumage est enlevée, ne mettez pas en marche le moteur.
- Si le moteur est noyé, mettre le starter (si équipé) en position OUVERT ou MARCHÉ. Déplacer l'accélérateur en position RAPIDE (si prévu) et faire tourner la manivelle jusqu'à ce que le moteur démarre.
- En cas de fuite de gaz naturel ou de GPL dans les environs, ne pas mettre le moteur en marche.
- Ne pas utiliser de fluides de démarrage sous pression, car les vapeurs sont inflammables.



### AVERTISSEMENT

Les pièces rotatives peuvent saisir les mains, les pieds, les cheveux, les vêtements ou les accessoires, et entraîner une amputation ou une lésation traumatique.

- Utiliser l'équipement avec les protections fixées de manière adéquate.
- Tenez mains et pieds éloignés des pièces en rotation.
- Retirer les bijoux et garder les cheveux longs à l'écart de toutes les pièces rotatives.
- Ne portez pas de vêtements amples ou d'articles qui pourraient être saisis.



### AVERTISSEMENT

L'enroulement rapide de la corde du démarreur (effet de recul) aura pour effet de tirer la main et le bras vers le moteur en moins de temps qu'il ne le faut pour réaliser, ce qui peut entraîner des fractures, des hématomes ou des foulures.

- Pour éviter cet effet de recul lors de la mise en marche du moteur, tirer lentement le cordon du démarreur jusqu'à sentir une résistance, puis tirer d'un coup sec.
- Retirer toute charge extérieure à l'équipement ou au moteur avant de le mettre en marche.
- Vérifier que les éléments à entraînement direct tels que, de manière non exhaustive, les lames de coupe, les pompes, les poulies et les pignons, sont solidement fixés.

**REMARQUE :** Votre équipement pourrait s'accompagner de télécommandes. Se reporter au manuel de l'équipement pour connaître l'emplacement et l'utilisation des commandes à distance.

1. Vérifier l'huile moteur. Se reporter à la section **Vérification du niveau d'huile**.
2. S'assurer que les commandes d'entraînement de l'équipement, si présentes, sont débrayées.
3. Tourner le levier de la commande d'accélération/TransportGuard® (A, Figure 18), si installé, en position RAPIDE ou MARCHÉ. Faire fonctionner le moteur en position RAPIDE ou MARCHÉ.
4. Amener la commande de starter (B, Figure 18) en position FERMÉ.

Habituellement, le starter n'est pas nécessaire pour démarrer un moteur chaud.

5. **Démarrage à rappel, si équipé :** Tenir fermement la poignée du cordon du démarreur (C, Figure 18). Tirer lentement sur la poignée du cordon du démarreur jusqu'à sentir une résistance, puis tirer rapidement.



### AVERTISSEMENT

L'enroulement rapide de la corde du démarreur (effet de recul) aura pour effet de tirer la main et le bras vers le moteur en moins de temps qu'il ne le faut pour réaliser, ce qui peut entraîner des fractures, des hématomes ou des foulures.

- Pour éviter cet effet de recul lors de la mise en marche du moteur, tirer lentement le cordon du démarreur jusqu'à sentir une résistance, puis tirer d'un coup sec.
- Retirer toute charge extérieure à l'équipement ou au moteur avant de le mettre en marche.
- Vérifier que les éléments à entraînement direct tels que, de manière non exhaustive, les lames de coupe, les pompes, les poulies et les pignons, sont solidement fixés.

6. **Démarrage électrique, si présent :** Tourner le commutateur de démarrage électrique (D, Figure 18) en position DÉMARRAGE.

### AVIS

Pour prolonger la durée de vie du démarreur, utiliser des cycles de démarrage courts (cinq secondes au maximum). Attendre une minute entre les cycles de démarrage.

7. À mesure que le moteur chauffe, tourner la commande de starter (B, Figure 18) en position OUVERT.

Si le moteur ne démarre pas après 2 ou 3 essais, contacter votre revendeur local, consulter [vanguardpower.com](http://vanguardpower.com) ou appeler le 1-800-999-9333 (aux États-Unis).

## Arrêter le moteur



### AVERTISSEMENT

Le carburant et ses vapeurs sont inflammables et explosifs. Les incendies ou les explosions peuvent entraîner de graves brûlures, voire la mort.

- Ne pas actionner le starter éventuellement présent, pour arrêter le moteur.

**Commande d'accélération/TransportGuard®** : Tourner la commande d'accélération/le levier TransportGuard® (A, Figure 19) en position ARRÊT.

**REMARQUE** : Lorsque la commande d'accélération/le levier TransportGuard® (A, Figure 19) est en position ARRÊT, la soupape de carburant se trouve elle aussi en position ARRÊT. Toujours placer la commande d'accélération/le levier TransportGuard® en position ARRÊT lors du transport de l'équipement.

**REMARQUE** : La clé (D, Figure 19) n'arrête pas le moteur. La clé met UNIQUEMENT le moteur en marche. Toujours retirer la clé (D) et la conserver dans un endroit sûr, hors de portée des enfants.

## Entretien

### Informations relatives à l'entretien



**AVERTISSEMENT**  
Le carburant et ses vapeurs sont inflammables et explosifs. Les incendies ou les explosions peuvent entraîner de graves brûlures, voire la mort.

S'il est nécessaire d'incliner l'unité lors de l'entretien et que le réservoir de carburant est monté sur le moteur, vérifier que ce dernier est vide et que le côté de la bougie est relevé. Si le réservoir de carburant n'est pas vide, une fuite éventuelle pourrait provoquer un incendie, voire une explosion. Si le moteur est incliné dans une direction différente, le démarrage risque d'être difficile à cause de la contamination du filtre à air ou de la bougie par l'huile ou le carburant.



**AVERTISSEMENT**  
Une étincelle accidentelle du moteur peut provoquer une électrocution, un incendie, une explosion, un accrochage, une amputation traumatique ou une lacération.

**Avant d'effectuer des réglages ou des réparations :**

- Débrancher tous les fils de la bougie et les tenir à l'écart de la bougie.
- Débrancher le câble de la batterie de la borne de masse (uniquement pour les moteurs à démarrage électrique).
- Utiliser uniquement des outils appropriés.

**Lorsque vous vérifiez la présence d'une étincelle :**

- Utiliser un vérificateur de bougie d'allumage approuvé.
- Ne pas vérifier la présence d'étincelle si la bougie a été déposée.



**AVERTISSEMENT**  
Tous les composants utilisés pour assembler ce moteur doivent rester dans leur position initiale afin de fonctionner correctement. Des dommages ou des blessures peuvent survenir si vous utilisez des pièces inappropriées ou si vous ne remplacez pas toutes les pièces du moteur.

- Les pièces de rechange doivent être les mêmes et être installées dans la même position que celles d'origine.
- Si installé, ne pas intervenir sur le ressort du régulateur de vitesse, les tringles ou d'autres pièces afin d'augmenter le régime du moteur.

#### AVIS

Tous les composants d'assemblage de ce moteur doivent rester en place pour un fonctionnement correct.

Consulter un réparateur agréé Briggs & Stratton pour l'entretien de votre moteur et de ses pièces.

## Interventions concernant le contrôle des émissions

Pour l'entretien, le remplacement ou la réparation des dispositifs et des systèmes de contrôle des émissions d'échappement, contacter un établissement ou technicien spécialisé dans la réparation des moteurs autres que les moteurs automobiles. Néanmoins, pour obtenir un service de contrôle des émissions « gratuit », le travail doit être effectué par un revendeur autorisé. Se reporter à la déclaration sur le contrôle des émissions.

## Calendrier d'entretien

<b>Après les 5 premières heures</b>
<ul style="list-style-type: none"> <li>• Vidanger l'huile.</li> </ul>
<b>Intervalles de 8 heures ou quotidiennement</b>
<ul style="list-style-type: none"> <li>• Contrôler le niveau d'huile moteur.</li> <li>• Nettoyer autour du silencieux et des commandes.</li> <li>• Nettoyer la grille d'admission d'air.</li> </ul>

<b>Intervalles de 100 heures ou une fois par an</b>
<ul style="list-style-type: none"> <li>• Entretien le système d'échappement.</li> <li>• Changement de l'huile du réducteur (si installé).</li> </ul>
<b>Toutes les 200 heures ou une fois par an</b>
<ul style="list-style-type: none"> <li>• Changer l'huile moteur.</li> <li>• Nettoyer le filtre à air<sup>1</sup></li> </ul>
<b>Toutes les 600 heures ou tous les 3 ans</b>
<ul style="list-style-type: none"> <li>• Remplacer le filtre à air.</li> </ul>
<b>Tous les ans</b>
<ul style="list-style-type: none"> <li>• Remplacer la bougie.</li> <li>• Entretien le circuit de carburant.</li> <li>• Entretien le circuit de refroidissement<sup>1</sup>.</li> <li>• Vérifier le dégagement des soupapes<sup>2</sup>.</li> </ul>

<sup>1</sup>Nettoyer plus fréquemment si les conditions sont poussiéreuses ou si le nombre de particules dans l'air est élevé.

<sup>2</sup>Pas nécessaire si les performances du moteur ne sont pas altérées.

## Carburateur et régime moteur

Ne pas effectuer de réglages sur le carburateur, le ressort du régulateur, les tringleries ou d'autres pièces pour ajuster le régime du moteur. Si des ajustements sont nécessaires, contacter un réparateur agréé Briggs & Stratton.

#### AVIS

Le fabricant d'équipement spécifie le régime maximal du moteur tel qu'installé sur l'équipement. Ne pas dépasser ce régime. En cas de doute quant au régime maximal pour l'équipement ou au régime moteur configuré en sortie d'usine, s'adresser à un réparateur agréé Briggs & Stratton. Pour garantir la sécurité et le bon fonctionnement de l'équipement, le régime moteur ne doit être réglé que par un technicien d'entretien qualifié.

## Entretien de la bougie

Vérifier l'écartement des électrodes de la bougie (A, Figure 20) avec une jauge d'épaisseur (B). Régler l'écartement des électrodes de bougie au besoin. Remettre la bougie et la serrer au couple approprié. Pour les spécifications concernant l'écartement et le couple de serrage, se reporter à la section **Spécifications**.

## Entretien des systèmes d'échappement et de refroidissement



**AVERTISSEMENT**  
Pendant le fonctionnement, le moteur et le silencieux deviennent chauds. Si vous touchez un moteur chaud, vous risquez de vous brûler.

**Les débris combustibles, tels que les feuilles, l'herbe et les broussailles peuvent prendre feu.**

- Avant de toucher le moteur ou le silencieux, arrêter le moteur et attendre deux (2) minutes. Vérifier que le moteur et le silencieux peuvent être touchés en toute sécurité.
- Retirer les débris du silencieux et du moteur.

L'utilisation ou le fonctionnement du moteur sur des terrains forestiers, broussailloux ou herbeux constitue une violation de la Section 4442 du Code des ressources publiques de Californie (California Public Resource Code), à moins que le système d'échappement ne soit équipé d'un pare-étincelles, comme le stipule cette Section 4442, maintenu en bon état de marche. D'autres États ou juridictions fédérales peuvent avoir des lois similaires ; référence Federal Regulation 36 CFR Part 261.52. Contacter le fabricant d'équipements d'origine, le détaillant ou le revendeur de l'équipement pour obtenir un pare-étincelles conçu pour le système d'échappement installé sur ce moteur.

Ce moteur est refroidi par air. De la poussière ou des matières indésirables peuvent restreindre le débit d'air et entraîner une surchauffe du moteur, ce qui peut compromettre son rendement et abrégé sa durée de vie. Des matières indésirables peuvent s'accumuler dans les ailettes de refroidissement du cylindre, celles-ci ne pouvant être retirées sans un démontage partiel du moteur. S'assurer qu'un réparateur agréé Briggs & Stratton examine et nettoie le système de refroidissement à air. Consulter le **Calendrier d'entretien**.

1. S'assurer qu'aucun matériau combustible ne se trouve autour ou derrière le silencieux.

- Utiliser une brosse ou un chiffon sec pour enlever les matières indésirables du couvercle du carter de soufflante, du silencieux et de la zone du cylindre. NE PAS utiliser d'eau pour nettoyer le moteur.
- S'assurer que les tringleries, les ressorts et les commandes sont propres.
- Inspecter le silencieux pour rechercher d'éventuelles fissures, traces de corrosion ou d'autres dommages.
- Retirer le déflecteur ou le pare-étincelles, si installés, et vérifier s'ils sont endommagés ou obstrués par des dépôts de carbone. S'assurer que les pièces de rechange sont nettoyées et bien installées avant de faire fonctionner l'équipement.
- Si installées, vérifier que les ailettes du radiateur d'huile sont propres.

## Vidange de l'huile moteur

### AVERTISSEMENT



**Le carburant et ses vapeurs sont inflammables et explosifs. Les incendies ou les explosions peuvent entraîner de graves brûlures, voire la mort.**

**Pendant le fonctionnement, le moteur et le silencieux deviennent chauds. Si vous touchez un moteur chaud, vous risquez de vous brûler.**

- Si vous vidangez l'huile par le bouchon de remplissage supérieur, le réservoir de carburant doit être vide. S'il n'est pas vide, une fuite éventuelle pourrait provoquer un incendie, voire une explosion.
- Avant de toucher le moteur ou le silencieux, arrêtez le moteur et attendez deux (2) minutes. Vérifier que le moteur et le silencieux peuvent être touchés en toute sécurité.

L'huile de vidange est un déchet dangereux qui doit être éliminé de manière appropriée. Ne pas la jeter avec les déchets ménagers. Contacter les autorités locales, les centres de services ou les revendeurs pour savoir où se trouvent des installations d'élimination des déchets ou de recyclage.

Pour les modèles **Just Check & Add™**, un changement d'huile n'est pas nécessaire. Si un changement d'huile est nécessaire, se reporter à la procédure ci-après.

### Vidange de l'huile

- Pendant que le moteur est arrêté mais encore chaud, déconnecter les fils de bougie (D, Figure 21) et les maintenir à l'écart de la ou des bougies (E).
- Retirer la jauge (A, Figure 22).
- Le moteur dispose de deux bouchons de vidange d'huile (H, F, Figure 23). Retirer les bouchons de vidange d'huile (H, F). Récupérer l'huile dans un récipient adapté.
- Remettre les bouchons de vidange d'huile en place et les serrer (H, F, Figure 23).

### Ajout d'huile

- Veiller à ce que le moteur soit sur une surface plane.
- Retirer toutes les matières indésirables du pourtour du remplissage d'huile.
- Se reporter à la section **Spécifications** pour la capacité d'huile.

- Retirer la jauge. Se reporter à la section **Vidange de l'huile**.
- Ajouter lentement l'huile par l'un des orifices de remplissage du moteur (C, G, Figure 24). Ne pas ajouter trop d'huile.
- Attendre une minute et vérifier le niveau d'huile.
- Installer la jauge.
- Retirer la jauge d'huile et vérifier le niveau d'huile. Le niveau d'huile correct doit se situer en haut du repère plein sur la jauge. Se reporter à la section **Vérification du niveau d'huile**.
- Replacer la jauge d'huile et la resserrer.
- Connecter le ou les fils de bougie sur la ou les bougies. Voir la section **Vidange de l'huile**.

## Changer l'huile du réducteur

Certains moteurs sont équipés d'un réducteur. Si c'est le cas, se référer aux étapes relatives au réducteur concerné, comme suit.

### Réducteur à chaîne 2:1

Si le moteur comporte avec un réducteur à chaîne 2:1 (G, Figure 25), la vidange d'huile n'est pas nécessaire. L'huile du moteur lubrifie également le réducteur à chaîne.

### Réducteur à embrayage à bain d'huile 2:1

Si le moteur est équipé d'un réducteur à embrayage à bain d'huile 2:1, procéder comme suit :

- Retirer la jauge (A, Figure 26).
- Retirer le bouchon de vidange (B, Figure 26) et vidanger l'huile dans un récipient approprié.
- Replacer et resserrer le bouchon de vidange d'huile (B, Figure 26).

- Verser lentement l'huile par l'orifice de remplissage d'huile (C, Figure 26). Voir la section **Spécifications**.
- Insérer la jauge (A, Figure 26).
- Retirer la jauge d'huile (A, Figure 26) et vérifier le niveau d'huile. Le niveau d'huile correct doit se situer en haut du repère plein (D) sur la jauge.
- Insérer la jauge (A, Figure 26).

### Réducteur 6:1

Si le moteur est équipé d'un réducteur 6:1, procéder comme suit :

- Retirer le bouchon de l'orifice de remplissage d'huile (A, Figure 27) et le bouchon de niveau d'huile (B).
- Retirer le bouchon de vidange (C, Figure 27) et vidanger l'huile dans un récipient approprié.
- Replacer et resserrer le bouchon de vidange (C, Figure 27).
- Ajouter lentement de l'huile pour réducteur (80W-90) dans l'orifice de remplissage d'huile (D, Figure 27). Verser jusqu'à ce que l'huile pour réducteur (80W-90) sorte de l'orifice de niveau d'huile (E).
- Replacer et resserrer le bouchon de niveau d'huile (B, Figure 27).
- Replacer et resserrer le bouchon de l'orifice de remplissage d'huile (A, Figure 27).

**REMARQUE :** Le bouchon de l'orifice de remplissage d'huile (A, Figure 27) dispose d'un trou d'évent (F) et doit être installé au sommet du capot du carter d'engrenage, comme indiqué.

## Entretien du filtre à air

### AVERTISSEMENT



**Les vapeurs de carburant sont inflammables et explosives. Les incendies ou les explosions peuvent entraîner de graves brûlures, voire la mort.**

- Ne pas démarrer et faire fonctionner le moteur sans que le préfiltre à air (le cas échéant) ou le filtre à air (le cas échéant) soient en place.

### AVIS

Ne pas utiliser d'air comprimé ou de solvants pour nettoyer le filtre. L'air comprimé pourrait endommager le filtre et les solvants peuvent le dissoudre.

Se reporter au **Calendrier d'entretien** pour connaître les prescriptions d'entretien.

Selon les modèles, le filtre pourra être en mousse ou en papier. Certains modèles sont également équipés d'un préfiltre en option, qui peut être lavé et réutilisé. Comparer les illustrations de ce manuel avec le type de filtre monté sur votre moteur et procéder comme suit pour l'entretien.

### Filtre à air en papier

- Desserrer la ou les attache(s) (C, Figure 28).
- Enlever le couvercle (A, Figure 28) et le filtre (C).
- Pour faire tomber les débris, tapoter doucement le filtre (B, Figure 28) sur une surface dure. Si le filtre est sale, le remplacer par un nouveau filtre.
- Installer le filtre (B, Figure 28).
- Installer le couvercle (A, Figure 28) avec la ou les attaches (C). S'assurer que la ou les attaches sont bien serrées.

### Filtre à air en papier, Surbaissé

- Déplacer le verrou (A, Figure 29) pour déverrouiller le couvercle (C).
- Pousser les taquets (B, Figure 29) et retirer le couvercle (C).
- Retirer le filtre (D, Figure 29).
- Pour faire tomber les débris, tapoter doucement le filtre (D, Figure 29) sur une surface dure. Si le filtre est sale, le remplacer par un nouveau filtre.
- Installer le filtre (D, Figure 29).
- Remettre le couvercle (C, Figure 29). Déplacer le verrou (A) vers la position verrouillée.

**REMARQUE :** Vérifier l'ajustement du joint en mousse (E, Figure 29). S'assurer que le joint en mousse du périmètre est correctement retenu dans la rainure (F).

## Entretien du circuit de carburant

### AVERTISSEMENT



Le carburant et ses vapeurs sont inflammables et explosifs. Les incendies ou les explosions peuvent entraîner de graves brûlures, voire la mort.

- Garder le carburant loin des étincelles, des flammes nues, des lampes témoins, de chaleur et d'autres sources d'inflammation.
- Inspecter fréquemment les conduites de carburant, le réservoir de carburant, le bouchon de carburant et les connexions pour vérifier la présence de fissures ou de fuites. Remplacer les pièces endommagées.
- Si du carburant se répand, attendre jusqu'à ce qu'il sèche avant de mettre le moteur en marche.

### Filtere à carburant, si installé

1. Retirer le bouchon du réservoir de carburant (A, Figure 30).
2. Retirer le filtre à carburant (B, Figure 30).
3. Si le filtre à carburant est sale, le nettoyer ou le remplacer. En cas de remplacement, veiller à utiliser un filtre à carburant de rechange d'origine.

## Entreposage

### Circuit d'alimentation

Voir la Figure : 31.

### AVERTISSEMENT



Le carburant et ses vapeurs sont inflammables et explosifs. Les incendies ou les explosions peuvent entraîner de graves brûlures, voire la mort.

### Entreposage du carburant

- Les entreposer loin des chaudières, cuisinières, chauffe-eaux ou tout autre appareil comportant une veilleuse ou une source susceptible de produire une étincelle, car ils pourraient provoquer une explosion.

Maintenir le levier du moteur en position normale de fonctionnement. Faire le plein du réservoir de carburant (A, Figure 31). Pour permettre l'expansion du carburant, ne pas dépasser le col de remplissage du réservoir de carburant en faisant le plein (B).

Le carburant peut s'éventer s'il est conservé dans un réservoir de stockage pendant plus de 30 jours. L'utilisation d'un stabilisateur de carburant sans alcool et d'un traitement éthanol dans le réservoir de stockage du carburant est recommandée pour éviter la dégradation du carburant et maintenir toutes ses propriétés.

Lors du remplissage du réservoir avec le carburant, ajouter un stabilisateur de carburant sans alcool comme indiqué dans les instructions du fabricant. Si l'essence présente dans le moteur n'a pas été traitée avec un stabilisateur de carburant, elle doit être vidangée dans un récipient approuvé. Faire tourner le moteur jusqu'à ce qu'il n'y ait plus de carburant.

### Huile de moteur

Pendant que le moteur est encore chaud, changer l'huile du moteur. Se référer à la section **Vérifier l'huile moteur**.

## Dépannage

### Assistance

Pour obtenir de l'aide, contacter votre revendeur local, consulter **BRIGGSandSTRATTON.COM** ou appeler le **1-800-444-7774** (aux États-Unis).

## Spécifications et pièces de rechange

Caractéristiques techniques	Modèle : 10V000	Modèle : 12V000
Cylindrée	10.313 ci (169 cc)	12.387 ci (203 cc)
Alésage	2.44 po (62 mm)	2.677 po (68 mm)
Course	2.204 po (56 mm)	2.204 po (56 mm)
Capacité d'huile	18 - 20 oz (,54 - ,59 l)	18 - 20 oz (,54 - ,59 l)
Réducteur à embrayage à bain d'huile 2:1 - Type d'huile	10W-30	10W-30
Réducteur à embrayage à bain d'huile 2:1 - Capacité d'huile	10 oz (,30 l)	10 oz (,30 l)
Réducteur à engrenage 6:1 - Type d'huile	80W-90	80W-90

Caractéristiques techniques	Modèle : 10V000	Modèle : 12V000
Réducteur à engrenage 6:1 - Capacité d'huile	4 oz (12 l)	4 oz (12 l)
Écartement des électrodes de bougie	.030 po (,76 mm)	.030 po (,76 mm)
Couple de serrage de bougie	180 lb-po (20 Nm)	180 lb-po (20 Nm)
Entrefer volant/bobine	.010 - .013 po (,25 - ,35 mm)	.010 - .013 po (,25 - ,35 mm)
Dégagement de soupape d'admission	.004 - .006 po (,10 - ,15 mm)	.004 - .006 po (,10 - ,15 mm)
Dégagement de soupape d'échappement	.005 - .007 po (,15 - ,20 mm)	.005 - .007 po (,15 - ,20 mm)

Caractéristiques techniques	Modèle : 25V000
Cylindrée	24.898 ci (408 cc)
Alésage	3.465 po (88 mm)
Course	2.638 po (67 mm)
Boulon du support de fixation de câble	30 lb-po (3,4 Nm)
Vis du serre-fils	25 lb-po (2,8 Nm)
Capacité d'huile	28 - 32 oz (,83 - ,95 l)
Écartement des électrodes de bougie	.030 po (,76 mm)
Couple de serrage de bougie	180 lb-po (20 Nm)
Entrefer volant/bobine	.010 - .013 po (,25 - ,35 mm)
Dégagement de soupape d'admission	.004 - .006 po (,10 - ,15 mm)
Dégagement de soupape d'échappement	.005 - .007 po (,15 - ,20 mm)

La puissance du moteur diminuera de 3,5 % à chaque palier d'altitude de 1 000 pieds (300 m) et de 1 % tous les 10 °F (5,6 °C) à partir de 77 °F (25 °C). Le moteur fonctionne de façon satisfaisante à un angle allant jusqu'à 30°. Consulter le manuel de l'utilisateur de l'équipement pour une utilisation sûre en pente.

### Pièces d'entretien

Pour acheter des pièces d'entretien Briggs & Stratton, trouvez un réparateur agréé près de chez vous sur **BRIGGSandSTRATTON.COM**. Vous aurez besoin de votre numéro d'identification (modèle - type - coupe). Reportez-vous à la section **Fonctions et commandes** pour trouver le numéro d'identification de votre moteur.

### Puissances nominales

La puissance brute de chaque modèle de moteur à essence est indiquée conformément à la norme SAE (Society of Automotive Engineers) Code J1940, Procédure pour le couple et la puissance nominale des petits moteurs, et est classée conformément à la norme SAE J1995. Les valeurs de couple sont obtenues à 2 600 tr/min pour les moteurs pour lesquels les « tours par minute » sont indiqués sur l'étiquette et à 3 060 tr/min pour tous les autres. La puissance en HP est obtenue à 3 600 tr/min. Les courbes de puissance brute peuvent être consultées sur le site **www.BRIGGSandSTRATTON.COM**. Les valeurs données pour la puissance nette sont établies avec l'échappement et le filtre à air installés tandis que les valeurs données pour la puissance brute sont établies sans ces accessoires. La puissance brute réelle du moteur sera plus élevée que la puissance nette du moteur et elle est affectée, entre autres, par les conditions atmosphériques de fonctionnement et les variations d'un moteur à l'autre. Étant donné la gamme étendue de produits sur lesquels les moteurs sont montés, il se peut que le moteur à essence ne développe pas la puissance nominale brute quand il est utilisé sur un type donné d'équipement entraîné. Cette différence est due à divers facteurs, y compris, mais sans toutefois s'y limiter, la diversité des composants du moteur (filtre à air, échappement, chargement, refroidissement, carburateur, pompe à carburant, etc.), la limite des applications, les conditions atmosphériques de fonctionnement (température, humidité, altitude) et les variations entre les moteurs. En raison des limites de fabrication et de capacité, Briggs & Stratton peut substituer un moteur de puissance nominale supérieure par ce moteur.

### Garantie

#### Garantie moteur Briggs & Stratton®

Entrée en vigueur : mars 2023

#### Garantie limitée

Briggs & Stratton garantit la réparation ou le remplacement gratuit, pendant la période de garantie spécifiée ci-dessous, de toute pièce présentant des défauts

matériels ou de fabrication avec une pièce neuve, reconditionnée ou refabriquée, à la seule discrétion de Briggs & Stratton. Les frais de transport du produit à réparer ou remplacer seront, dans le cadre de cette garantie, à la charge de l'acheteur. Cette garantie court sur les périodes énoncées ci-dessous et est assujettie aux conditions énoncées ci-dessous. Pour les réparations couvertes par la garantie, trouvez le réparateur agréé le plus proche de chez vous à l'aide de notre carte Trouver un revendeur en disponible sur BRIGGSandSTRATTON.COM. L'acheteur doit contacter le réparateur agréé, puis lui confier le produit à des fins d'inspection et de test.

**Il n'existe aucune autre garantie expresse.** Les garanties implicites, y compris celles associées à la commercialisation et d'adéquation à un usage particulier, sont limitées à une période d'une année à compter de la date de l'achat, ou dans la mesure prévue par la loi. Toutes les autres garanties implicites sont exclues. **Les responsabilités relatives aux dommages consécutifs ou indirects sont exclues dès lors que cette exclusion est autorisée par la loi.** Certains États ou pays ne permettent pas les limitations de durée de la garantie implicite. Certains États ou pays n'autorisent pas l'exclusion ou la limitation des dommages consécutifs ou indirects. Dans ce cas, l'exclusion et la limitation ci-dessus ne s'appliquent pas à votre cas. La présente garantie vous offre des droits juridiques spécifiques et il se peut que vous ayez d'autres droits qui varient d'une juridiction à une autre, et de pays à pays.

Période de garantie standard <sup>1, 2</sup>
<b>Vanguard® ; Série CXi</b>
Utilisation par le consommateur : 36 mois
Utilisation commerciale : 36 mois
<b>Série XR</b>
Utilisation par le consommateur : 24 mois
Utilisation commerciale : 24 mois
<b>Tous les autres moteurs à chemise en fonte à alésage Dura-Bore™</b>
Utilisation par le consommateur : 24 mois
Utilisation commerciale : 12 mois
<b>Tous les autres moteurs</b>
Utilisation par le consommateur : 24 mois
Utilisation commerciale : 3 mois

<sup>1</sup> Il s'agit de nos conditions standard de garantie mais il peut exister, ponctuellement, une garantie supplémentaire qui n'avait pas été définie à la date de la publication. Pour connaître les modalités actuelles de garantie s'appliquant à votre moteur, visitez le site [www.BRIGGSandSTRATTON.COM](http://www.BRIGGSandSTRATTON.COM) ou contactez votre réparateur agréé Briggs & Stratton agréé.

<sup>2</sup> Il n'existe aucune garantie applicable aux moteurs d'équipements utilisés pour une alimentation principale en remplacement du réseau public d'électricité, des groupes électrogènes de secours utilisés à des fins commerciales, des véhicules utilitaires roulant à plus de 25 mi/h ou des moteurs utilisés en compétition, ou dans un but d'exploitation commerciale ou de location.

La période de garantie débute à la date d'achat par l'acheteur particulier initial ou l'utilisateur professionnel final et se prolonge pendant la période indiquée dans le tableau ci-dessus. « Utilisation par le consommateur » signifie que le produit sera utilisé par un consommateur au détail dans un but privé. « Utilisation commerciale » indique toutes les autres utilisations possibles, y compris commerciales, génératrices de revenus ou locatives. Dès qu'un moteur a servi à un usage commercial, il sera considéré comme moteur à usage commercial dans le cadre de la présente garantie.

**Aucun enregistrement de la garantie n'est nécessaire pour obtenir la garantie des produits de marque Briggs & Stratton. Conservez le reçu de votre achat. Si vous ne fournissez pas la preuve de la date d'achat initiale au moment de la demande du service de garantie, la date de fabrication du produit sera retenue pour déterminer la période de garantie.**

#### Au sujet de votre garantie

Cette garantie limitée couvre le matériel relatif au moteur et/ou les problèmes de fabrication uniquement, et non le remplacement ou le remboursement de la machine sur lequel le moteur était installé. Les mises au point de routine, les réglages, les ajustements et l'usure normale ne sont pas couvertes par cette garantie. De même, la garantie ne s'applique pas si le moteur a été altéré ou modifié, ou si le numéro de série du moteur a été dégradé ou effacé. Cette garantie ne couvre pas les dommages du moteur ou les problèmes de performance dus à :

1. l'usage de pièces qui ne sont pas Briggs & Stratton
2. l'utilisation du moteur avec de l'huile en quantité insuffisante, contaminée ou d'un grade de lubrification inadapté ;
3. L'utilisation de carburant contaminé ou éventé, d'essence formulée avec de l'éthanol à plus de 10 %, ou de carburants alternatifs comme le gaz de pétrole liquéfié ou le gaz naturel, avec des moteurs non conçus / fabriqués à l'origine par Briggs & Stratton pour fonctionner avec de tels carburants ;
4. Les impuretés qui pénètrent dans le moteur du fait d'un entretien ou d'un remontage inadéquat du filtre à air ;

5. un choc de la lame d'une tondeuse rotative sur un corps dur, des adaptateurs de lames, des turbines ou d'autres dispositifs raccordés au vilebrequin mal installés ou desserrés, ou une courroie trapézoïdale trop tendue ;
6. Les pièces associées ou montages tels que les embrayages, les transmissions, les commandes de l'équipement, etc. qui ne sont pas fournis par Briggs & Stratton;
7. une surchauffe due à des résidus d'herbe, de la saleté et des débris ou des nids de rongeurs qui bouchent ou obstruent les ailettes de refroidissement ou la zone du volant, ou due à un fonctionnement du moteur sans ventilation suffisante ;
8. une vibration excessive provoquée par un surrégime, un serrage insuffisant des boulons de fixation du moteur, des lames ou des turbines desserrées ou mal équilibrées, un mauvais raccordement des composants de l'équipement au vilebrequin ;
9. un abus, un manque d'entretien courant, l'expédition, la manutention ou l'entreposage de l'équipement ou une mauvaise installation du moteur.

Le service de garantie est disponible uniquement auprès des réparateurs agréés Briggs & Stratton. Trouvez votre réparateur agréé le plus proche en utilisant la carte Trouver un revendeur sur le site BRIGGSandSTRATTON.COM ou en appelant le 1-800-444-7774 (aux USA).

80114782 (révision B)

## Briggs & Stratton Emissions Warranty

### Manufacturer's Warranty Coverage:

The exhaust emissions control system on your engine is warranted for two years. If any emissions-related part on your engine is defective, the part will be repaired or replaced by B&S.

### Owner's Warranty Responsibilities:

- As the engine owner, you are responsible for the performance of the required maintenance listed in your owner's manual. B&S recommends that you retain all receipts covering maintenance on your engine, but B&S cannot deny warranty coverage solely for the lack of receipts or for your failure to ensure the performance of all scheduled maintenance.
- As the engine owner, you should however be aware that B&S may deny you warranty coverage if your engine or a part has failed due to abuse, neglect, or improper maintenance or unapproved modifications.
- You are responsible for presenting your engine to a B&S distribution center or service center as soon as the problem exists. The warranty repairs shall be completed in a reasonable amount of time, not to exceed 30 days. If you have a question regarding your warranty rights and responsibilities, you should contact B&S at 1-800-444-7774 (in USA) or BRIGGSandSTRATTON.COM.

80130178 Revision A



## Informazioni generali



Questo manuale contiene informazioni sulla sicurezza, sui pericoli e i rischi legati al motore e su come prevenirli. Contiene anche informazioni sul funzionamento e sulla manutenzione corretta del motore. È importante che queste istruzioni siano lette, comprese e rispettate. **Conservare questo manuale per futuro riferimento.**

**NOTA:** Le istruzioni e le figure del presente manuale hanno solo scopo informativo e potrebbero essere diverse dal modello di cui si dispone. Utilizzare le figure che si riferiscono alla configurazione del proprio motore. Se necessario, rivolgersi a un'Officina autorizzata.

Per i pezzi di ricambio, annotare data di acquisto, modello di motore, tipo, rivestimento e numero di serie del motore. Tali numeri sono sul motore. Fare riferimento alla sezione **Funzioni e comandi**.

Data dell'acquisto	
Modello del motore - Tipo - Trim	
Numero di serie del motore	

## Informazioni di contatto dell'ufficio europeo

Per domande riguardanti le emissioni in Europa, contattare l'ufficio europeo all'indirizzo:

Max-Born-Straße 2, 68519 Viernheim, Germania.

## Unione Europea (UE) Fase V (5): Valori di anidride carbonica (CO<sub>2</sub>)

Per scoprire i valori di anidride carbonica relativi ai motori Briggs & Stratton con Certificato di approvazione UE, immettere CO<sub>2</sub> nella finestra di ricerca di BriggsandStratton.com.

## Sicurezza dell'operatore

### Simboli degli allarmi per la sicurezza e messaggi di segnalazione



Il simbolo di allarme sicurezza identifica informazioni di sicurezza che riguardano rischi che possono provocare lesioni alla persona. Viene utilizzato un termine di segnalazione (**PERICOLO**, **AVVERTENZA** o **ATTENZIONE**), per indicare l'eventualità e la potenziale gravità del danno. Inoltre, è applicato un simbolo di pericolo indicante il tipo di pericolo esistente.

**PERICOLO** indica un pericolo che, se non evitato, **provocherà** morte o lesioni gravi.

**AVVERTENZA** indica un rischio che, se non evitato, **potrebbe** provocare morte o lesioni gravi.

**ATTENZIONE** indica un rischio che, se non evitato, **potrebbe** provocare lesioni minori o moderate.

**AVVISO** indica informazioni considerate importanti, ma non relative a pericoli.

### Simboli indicanti rischio e relativi significati

	Informazioni di sicurezza relative ai rischi che possono causare lesioni personali.		Prima di usare o riparare l'unità, leggere e comprendere il manuale per l'operatore.
	Pericolo d'incendio		Pericolo di esplosione
	Pericolo di scosse elettriche		Pericolo di fumi tossici
	Pericolo superfici estremamente calde		Pericolo di contraccolpo

	Pericolo di amputazione - Parti in movimento		Livello di carburante - Massimo Non riempire troppo
--	--	--	--

## Messaggi sulla sicurezza



### AVVERTENZA

I motori Briggs & Stratton® non sono progettati per essere usati su: fun-kart; go-kart; veicoli per bambini, ricreativi o fuori strada; motociclette, prodotti a camera ad aria, velivoli o veicoli impiegati in eventi competitivi non approvati da Briggs & Stratton. Per informazioni su prodotti da competizione, visitare il sito [www.briggsracing.com](http://www.briggsracing.com). Per l'impiego su quad e motoslitte, contattare Briggs & Stratton Power Application Center, 1-866-927-3349. L'uso non corretto del motore può provocare lesioni personali gravi o la morte.

## Informazioni per il riciclaggio



Riciclare tutti i cartoni, le scatole, l'olio esausto e le batterie come specificato dalle normative governative.

## Funzioni e comandi

### Comandi del motore

Confrontare le lettere dei riquadri nelle Figure 1, 2, e 3 con i comandi del motore nell'elenco che segue:

- A. Numeri di identificazione del motore **Modello - Tipo - Codice**
- B. Candela
- C. Tappo e serbatoio del carburante
- D. Filtro aria
- E. Maniglia del cavo del motorino di avviamento
- F. Asta di livello dell'olio
- G. Riempimento olio
- H. Tappo di scarico dell'olio
- I. Marmitta, protezione della marmitta (se installata), parascintille (se installato)
- J. Controllo della valvola a farfalla/Arresto carburante/TransportGuard™
- K. Comando valvola dell'aria
- L. Griglia di aspirazione dell'aria
- M. Interruttore di avviamento elettrico (se installato)
- N. Unità riduttore (se installata)

Alcuni motori e attrezzature sono dotati di comandi a distanza. Consultare il manuale della specifica attrezzatura per la posizione e il funzionamento dei comandi a distanza.

### Simboli dei comandi del motore e relativi significati

	Velocità motore - VELOCE		Velocità motore - LENTO
	Velocità motore - ARRESTO		ACCESO - DISATTIVO
	Avvio motore Valvola dell'aria CHIUSA		Avvio motore Valvola dell'aria APERTA
	Tappo del carburante Rubinetto del carburante APERTO		Rubinetto del carburante CHIUSO

# Montaggio

## Conversione controllo valvola a farfalla

Il motore è dotato di serie di un controllo valvola a farfalla manuale. Per azionare il controllo della valvola a farfalla manuale, installare un controllo remoto o convertirlo in velocità fissa. Seguire le istruzioni riportate di seguito.

**NOTA:** La velocità del motore deve essere corretta in base alle indicazioni riportate nelle specifiche del produttore dell'apparecchiatura. Per assistenza, contattare un rivenditore autorizzato Briggs & Stratton.

### Controllo valvola a farfalla manuale

1. Spostare il controllo della valvola a farfalla/TransportGuard® (A, Figura 4) in posizione DISATTIVO.
2. Togliere la molla (S, Figura 4).

### Controllo a distanza della valvola a farfalla con filo intrecciato

Il controllo a distanza della valvola a farfalla con filo intrecciato può essere installato in una delle due direzioni: **Direzione testata del cilindro** o **Direzione anteriore**.

#### Direzione testata del cilindro

1. Spostare il controllo della valvola a farfalla/TransportGuard™ (A, Figura 5) in posizione DISATTIVO.
2. Con la chiave da 10 mm, allentare il dado (P, Figura 5) di ½ giro sul controllo della valvola a farfalla/TransportGuard® (A).
3. Afferrare il dado di montaggio del cavo (J, Figura 6) con una chiave da 10 mm e allentare la vite (K).
4. Installare il cavo (L, Figura 6) attraverso il foro del dado di montaggio (J) e stringere la vite (K). Verificare che il cavo (L) non si estenda per più di 1/2 poll. (12,7 mm) oltre il foro.
5. Allentare la vite (I, Figura 6). Fissare la guaina del cavo (N) sotto al morsetto (M) e stringere la vite (I).
6. Verificare il funzionamento del controllo della valvola a farfalla remoto. Spostare il controllo della valvola a farfalla 2-3 volte dalla posizione LENTO a VELOCE. Assicurarsi che il controllo della valvola a farfalla remoto e il cavo (L, Figura 6) si muovano liberamente. Regolare il dado (P, Figura 7) in base alla posizione specificata.

#### Direzione anteriore

1. Spostare il comando della valvola a farfalla/la leva TransportGuard™:
  - a. **Per i modelli di motore 10V000 e 12V000:** Spostare il controllo della valvola a farfalla/TransportGuard® (A, Figura 8) in posizione VELOCE.
  - b. **Per i modelli di motore 25V000:** Spostare il comando della valvola a farfalla/la leva TransportGuard™ (A, Figura 8) in posizione SPENTO.
2. Con la chiave da 10 mm, allentare il dado (P, Figura 7) di ½ giro sul controllo della valvola a farfalla/TransportGuard® (A).
3. Afferrare il dado di montaggio del cavo (J, Figura 8) con una chiave da 10 mm e allentare la vite.
4. Installare il cavo (L, Figura 8) attraverso il foro del dado di montaggio (J) e stringere la vite (K). Verificare che il cavo (L) non si estenda per più di ½ poll. (12,7 mm) oltre il foro.
5. Allentare la vite (I, Figura 8). Fissare la guaina del cavo (N) sotto al morsetto (M) e stringere la vite (I).
6. Verificare il funzionamento del controllo della valvola a farfalla remoto. Spostare il controllo della valvola a farfalla 2-3 volte dalla posizione LENTO a VELOCE. Assicurarsi che il controllo della valvola a farfalla remoto e il cavo (L, 8) si muovano liberamente. Regolare il dado (P, Figura 7) in base alla posizione specificata.

### Controllo della valvola a farfalla a distanza con filo pieno

Il controllo della valvola a farfalla a distanza con filo rigido può essere installato in una di quattro direzioni: **Direzione testata del cilindro**, **Direzione anteriore**, **Direzione a sinistra**, o **direzione a destra**.

#### Direzione testata del cilindro

1. Spostare il controllo della valvola a farfalla/TransportGuard® (A, Figura 9) in posizione DISATTIVO.
2. Togliere la molla (S, Figura 9).
3. Spostare il controllo della valvola a farfalla/TransportGuard® (A, Figura 9) in posizione VELOCE.
4. Con la chiave da 10 mm, allentare il dado (P, Figura 4) di 1/2 giro sul controllo della valvola a farfalla/TransportGuard® (A).
5. Montare il raccordo a Z del filo rigido (Q, Figura 9) in uno dei piccoli fori della squadra (R).

6. Allentare la vite (I, Figura 9). Fissare la guaina del cavo (N) sotto al morsetto (M) e stringere la vite (I).
7. Verificare il funzionamento del controllo della valvola a farfalla remoto. Spostare il controllo della valvola a farfalla 2-3 volte dalla posizione LENTO a VELOCE. Assicurarsi che il controllo della valvola a farfalla remoto e il cavo (L, Figura 9) si muovano liberamente. Regolare il dado (P, Figura 4) in base alla posizione specificata.

#### Direzione anteriore

1. Spostare il controllo della valvola a farfalla/TransportGuard® (A, Figura 10) in posizione DISATTIVO.
2. Togliere la molla (S, Figura 10).
3. Spostare il controllo della valvola a farfalla/TransportGuard® (A, Figura 10) in posizione VELOCE.
4. Con la chiave da 10 mm, allentare il dado (P, Figura 4) di 1/2 giro sul controllo della valvola a farfalla/TransportGuard® (A).
5. Montare il raccordo a Z del filo rigido (Q, Figura 10) in uno dei due piccoli fori della squadra (R).
6. Allentare la vite (I, Figura 10). Fissare la guaina del cavo (N) sotto al morsetto (M) e stringere la vite (I).
7. Verificare il funzionamento del controllo della valvola a farfalla remoto. Spostare il controllo della valvola a farfalla 2-3 volte dalla posizione LENTO a VELOCE. Assicurarsi che il controllo della valvola a farfalla remoto e il cavo (L, Figura 10) si muovano liberamente. Regolare il dado (P, Figura 4) in base alla posizione specificata.

#### Direzione a sinistra

1. Spostare il controllo della valvola a farfalla/TransportGuard® (A, Figura 11) in posizione DISATTIVO.
2. Togliere la molla (S, Figura 4).
3. Spostare il controllo della valvola a farfalla/TransportGuard® (A, Figura 11) in posizione VELOCE.
4. Con la chiave da 10 mm, allentare il dado (P, Figura 4) di ½ giro sul controllo della valvola a farfalla/TransportGuard® (A, Figura 11).
5. Togliere la manopola del controllo della valvola a farfalla (W, Figura 11) in modo da esporre il piccolo foro (S).
6. Montare il raccordo a Z del filo rigido (L, Figura 11) al foro piccolo (S) sulla leva del controllo della valvola a farfalla (A).
7. Allentare la vite (I, Figura 11). Fissare la guaina del cavo (N) sotto al morsetto (M) e stringere la vite (I).
8. Verificare il funzionamento del controllo della valvola a farfalla remoto. Spostare il controllo della valvola a farfalla 2-3 volte dalla posizione LENTO a VELOCE. Assicurarsi che il controllo della valvola a farfalla remoto e il cavo (L, Figura 11) si muovano liberamente. Regolare il dado (P, Figura 4) in base alla posizione specificata.

#### Direzione a destra

Per installare un controllo della valvola a farfalla dalla direzione giusta, è necessaria una staffa di montaggio (U, Figura 12). Fare riferimento alla sezione **Specifiche e Pezzi di ricambio** per il codice parte. Per l'acquisto della staffa di montaggio, rivolgersi a un Centro di assistenza autorizzato Briggs & Stratton.

1. Spostare il controllo della valvola a farfalla/TransportGuard® (A, Figura 12) in posizione DISATTIVO.
2. Togliere la molla (S, Figura 4).
3. Togliere la manopola del controllo della valvola a farfalla (W, Figura 12) in modo da esporre il piccolo foro (S).
4. Spostare il controllo della valvola a farfalla/TransportGuard® (A, Figura 12) in posizione VELOCE.
5. Con la chiave da 10 mm, allentare il dado (P, Figura 4) di 1/2 giro sul controllo della valvola a farfalla/TransportGuard® (A, 12).
6. Montare il raccordo a Z del filo rigido (L, Figura 12) al foro piccolo (S) sulla leva del controllo della valvola a farfalla (A).
7. Togliere il bullone (T, Figura 12). Installare la staffa di montaggio del cavo (U) come mostrato. Installare la staffa di montaggio del cavo (U) con il bullone (T). Serrare il bullone a 30 lb-poll. (3,4 Nm). Fare riferimento alla sezione **Specifiche e Pezzi di ricambio**.
8. Allentare la vite (I, Figura 12). Fissare la guaina del cavo (N) sotto al morsetto (M) e stringere la vite (I).
9. Verificare il funzionamento del controllo della valvola a farfalla remoto. Spostare il controllo della valvola a farfalla 2-3 volte dalla posizione lento a veloce. Assicurarsi che il controllo della valvola a farfalla remoto e il cavo (L, Figura 12) si muovano liberamente. Regolare il dado (P, Figura 4) in base alla posizione specificata.

## Motore a velocità fissa (cavo di controllo valvola a farfalla non necessario)

In caso di conversione a **Motore a velocità fissa**, il cavo di controllo della valvola a farfalla non è installato e la selezione della velocità non è presente. VELOCE è l'unica modalità di funzionamento del motore.

1. Spostare il controllo della valvola a farfalla/TransportGuard® (A, Figura 13) in posizione DISATTIVO.
2. Togliere la molla (S, Figura 13).
3. Spostare il controllo della valvola a farfalla/TransportGuard® (A, Figura 13) in posizione VELOCE.
4. Assicurarsi che la vite (V, Figura 13) sia allineata al foro nella staffa. Serrare la vite (V) a 25 lb-poll. (2,8 Nm).
5. Rimuovere il collegamento di controllo (H, Figura 13).

**NOTA:** In questo momento, la leva del controllo della valvola a farfalla/TransportGuard® avrà ora solo due posizioni: ARRESTO/SPENTO e IN FUNZIONE.

6. Installare la nuova etichetta TransportGuard® ATTIVO/DISATTIVO (O, Figura 14) sull'etichetta di controllo della velocità esistente posizionata sul pannello di rivestimento (F).

## Funzionamento



**AVVERTENZA**  
I vapori del carburante sono infiammabili ed esplosivi. Gli incendi e le esplosioni possono provocare bruciature gravi o morte.

### Qualora vi sia odore di gas

- Non avviare il motore.
- Non azionare gli interruttori elettrici.
- Non usare un telefono nei pressi del motore.
- Evacuare l'area.
- Rivolgersi ai vigili del fuoco.

### Quando si utilizza l'apparecchiatura

- Non inclinare il motore o l'apparecchiatura al punto da provocare la fuoriuscita del carburante.

### Quando si sposta l'apparecchiatura

- Assicurarsi che il serbatoio carburante sia VUOTO o che la valvola di chiusura del carburante, se installata, sia in posizione CHIUSO.

## Controllare il livello dell'olio motore

### Prima di controllare o rabboccare olio

- Assicurarsi che il motore sia a livello.
- Eliminare i detriti dall'area dell'olio.
- Vedere la sezione **Specifiche** per la capacità coppa olio.

### NOTA

Il motore viene fornito dalla Briggs & Stratton senza olio. I produttori o i rivenditori dell'apparecchiatura potrebbero aver aggiunto dell'olio al motore. Prima di avviare il motore per la prima volta, assicurarsi che l'olio sia al livello corretto. Rabboccare l'olio come specificato nelle istruzioni di questo manuale. In caso di avviamento senza olio, il motore può subire gravi danni, non coperti dalla garanzia.

1. Togliere l'astina di livello (A, Figura 15) e pulirla con un panno
2. Installare e serrare l'astina (A, Figura 15).
3. Estrarre l'astina di livello e controllare il livello dell'olio. Accertarsi che il livello dell'olio raggiunga la parte superiore dell'indicatore di pieno (B, Figura 15) sull'astina di livello.
4. Il motore è dotato di due imboccature per il riempimento d'olio (C, G, Figura 16). Se il livello dell'olio è basso, rabboccarlo lentamente attraverso le apposite imboccature del motore (C, G). Non aggiungere olio in eccesso. Dopo aver rabboccato l'olio, attendere un minuto prima di controllarne il livello. Accertarsi che il livello dell'olio sia corretto.
5. Installare e serrare l'astina (A, Figura 15).

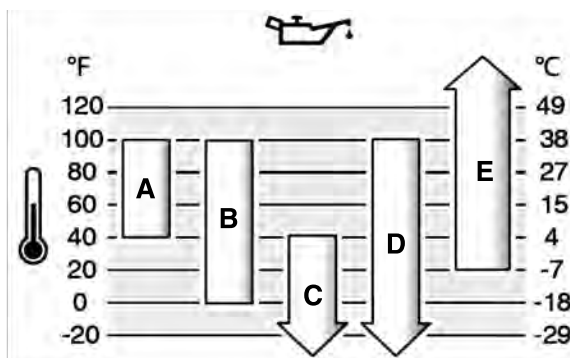
## Suggerimenti per l'olio

**Capacità coppa olio:** Vedere la sezione **Specifiche**.

Per le migliori prestazioni, si consiglia l'uso di oli con certificato di garanzia Briggs & Stratton®. Altri oli detergenti di alta qualità sono ammessi se classificati per servizio SF, SG, SH, SJ o superiore. Non utilizzare additivi speciali.

Utilizzare lo schema per selezionare la migliore viscosità in base all'intervallo di temperature esterne previste. I motori della maggior parte delle macchine per il lavoro

da esterni funzionano bene con olio sintetico 5W-30. Per apparecchiature utilizzate a temperature elevate, l'olio sintetico Vanguard® 15W-50 fornisce la migliore protezione.



A	SAE 30 - Al di sotto di 40 °F (4 °C) l'uso di SAE 30 avrà come conseguenza un avvio difficile.
B	10W-30 - Al di sopra di 80 °F (27 °C) l'uso di 10W-30 può causare maggiore consumo di olio. Controllare frequentemente il livello dell'olio.
C	5W-30
D	Sintetico 5W-30
E	Vanguard® sintetico 15W-50

## Sistema di protezione olio basso (se installato)

Su alcuni motori è installato un sensore di basso livello dell'olio. Se il livello dell'olio è basso, il sensore visualizzerà una spia di avvertenza oppure arresterà il motore. Arrestare il motore ed eseguire la seguente procedura prima di riavviarlo.

- Accertarsi che il motore sia a livello.
- Effettuare un controllo dell'olio. Fare riferimento alla sezione **Controllo del livello dell'olio**.
- Se il livello dell'olio è basso, rabboccare con la quantità d'olio appropriata. Avviare il motore e accertarsi che la spia di avvertenza (se installata) non si accenda.
- Se il livello dell'olio non è basso, non avviare il motore. Contattare un'Officina autorizzata Briggs & Stratton per risolvere il problema dell'olio.

## Raccomandazioni relative al carburante

È necessario che la benzina sia conforme a questi requisiti:

- Benzina pulita, nuova, senza piombo.
- Minimo 87 ottani/87 AKI (91 RON). Per uso ad altitudini elevate vedere in seguito.
- Benzina con un massimo del 10% di etanolo (gasolio) è accettabile.

### NOTA

Non usare benzine non appropriate, come E15 e E85. Non mescolare olio alla benzina né modificare il motore perché possa funzionare con carburanti alternativi. L'uso di carburanti non approvati potrebbe comportare danni ai componenti del motore, i quali non saranno coperti dalla garanzia.

Per proteggere l'impianto del carburante da formazioni gommose e corrosione, miscelare al carburante uno stabilizzatore di carburante senza alcol e un trattamento all'etanolo. Fare riferimento alla sezione **Rimessaggio**. Non tutti i carburanti sono uguali. Se si verificano problemi di avviamento o le prestazioni non sono soddisfacenti, cambiare il fornitore o la marca del carburante. Questo motore è certificato per funzionare a benzina. Il sistema di controllo delle emissioni per i motori con carburatore è EM (modifiche al motore). I sistemi di controllo delle emissioni per i motori a iniezione elettronica del carburante sono ECM (Modulo di controllo motore), MFI (Iniezione multiporta), TBI (Iniezione corpo farfallato) e, se in dotazione, un O2S (Sensore dell'ossigeno).

### Altitudine elevata

Ad altitudini superiori a 5.000 piedi (1524 metri), è accettabile benzina con numero minimo di ottani 85/85 AKI (89 RON).

Per motori con carburatore è necessaria una regolazione per l'altitudine affinché vengano mantenute le normali prestazioni. Il funzionamento senza regolazione causa prestazioni inferiori, maggiore consumo di carburante e maggiori emissioni. Per informazioni sulla regolazione per altitudini elevate, rivolgersi a un centro assistenza autorizzato Briggs & Stratton. Si sconsiglia il funzionamento del motore ad altitudini inferiori a 2.500 piedi (762 metri) con il kit per altitudini elevate.

Per i motori con Iniezione elettronica del carburante (EFI), non è necessaria la regolazione per altitudini elevate.

## Rifornimento di carburante



### AVVERTENZA

Il carburante e i suoi vapori sono infiammabili ed esplosivi. Gli incendi e le esplosioni possono provocare bruciature gravi o morte.

#### Quando si esegue il rifornimento di carburante

- Arrestare il motore. Prima di rimuovere il tappo del carburante, attendere almeno due (2) minuti per assicurarsi che il motore si sia raffreddato.
  - Riempire il serbatoio carburante all'aperto o in un'area con una buona circolazione dell'aria.
  - Non riempire eccessivamente il serbatoio del carburante. Per consentire l'espansione del carburante, non riempire al di sopra del fondo del collo del serbatoio benzina.
  - Tenere il carburante lontano da scintille, fiamme libere, fiamme pilota, calore e altre fonti di accensione.
  - Esaminare frequentemente le linee del carburante, il serbatoio carburante, il tappo del carburante e i collegamenti per individuare crepe o perdite. Sostituire le parti danneggiate.
  - Se il carburante si versa, attendere che si asciughi prima di avviare il motore.
1. Liberare la zona intorno al tappo del carburante da sporco e detriti. Togliere il tappo del carburante.
  2. Riempire il serbatoio carburante (A, Figura 17) con carburante. Poiché il carburante si espande, non riempire oltre il fondo del collo del serbatoio carburante (B).
  3. Rimettere il tappo del carburante.

## Avviamento del motore



### AVVERTENZA

**PERICOLO GAS VELENOSO.** Lo scarico del motore contiene monossido di carbonio, un gas velenoso che può uccidere in pochi minuti. Anche se non si respirano i fumi di scarico, è possibile comunque essere esposti ai pericolosi vapori di monossido di carbonio. In caso di malore, sensazione di malessere o debolezza durante l'utilizzo del prodotto, dirigersi **IMMEDIATAMENTE** verso l'aria fresca. Rivolgersi ad un medico. Potrebbe essersi verificato un avvelenamento da monossido di carbonio.

- Il monossido di carbonio può accumularsi negli spazi occupati. Per ridurre il rischio di esposizione al monossido di carbonio, utilizzare questo prodotto SOLO all'esterno e lontano da vani finestra, porte e sfiiati.
- Installare gli allarmi monossido di carbonio a batteria o inserire allarmi monossido di carbonio con batteria di riserva seguendo le istruzioni del fabbricante. Gli allarmi per il fumo non possono rilevare il monossido di carbonio.
- NON utilizzare questo prodotto dentro casa, all'interno di garage, piani interrati, intercapedini, capanni o altri spazi parzialmente chiusi, anche se si utilizzassero ventole o si lasciassero aperte porte e finestre per garantire la ventilazione. Dopo l'utilizzo di questo prodotto, il monossido di carbonio può accumularsi rapidamente in questi spazi e rimanere per ore.
- Usare SEMPRE questo prodotto sottovento e puntare lo scarico del motore lontano da spazi occupati.



### AVVERTENZA

Il carburante e i suoi vapori sono infiammabili ed esplosivi. Gli incendi e le esplosioni possono provocare bruciature gravi o morte.

#### Quando si avvia il motore

- Assicurarsi che la candela, la marmitta, il tappo del carburante e filtro dell'aria (se in dotazione) siano installati correttamente.
- Non far partire il motore con la candela rimossa.
- Se il motore è allagato, impostare la valvola dell'aria (se in dotazione) in posizione APERTO o MARCIA. Spostare il comando della valvola a farfalla (se in dotazione) sulla posizione VELOCE e far girare finché il motore si avvia.
- In caso di perdita di metano o gas LP nell'area, non avviare il motore.
- Poiché i vapori sono infiammabili, non usare fluidi di avvio pressurizzati.



### AVVERTENZA

Le parti rotanti possono intrappolare mani, piedi, capelli, indumenti o accessori e causare amputazione o gravi lacerazioni.

- Azionare l'apparecchiatura con le protezioni installate correttamente.
- Tenere lontani mani e piedi dalle parti rotanti.
- Rimuovere eventuali gioielli e assicurarsi che i capelli lunghi siano lontani dalle parti in movimento.
- Non indossare abiti o oggetti larghi che possono rimanere impigliati.



### AVVERTENZA

La rapida ritrazione del cavo del motorino di avviamento (contraccolpo) può proiettare con forza mani e braccia in direzione del motore. Pericolo di lussazioni, fratture, contusioni o distorsioni.

- Per evitare il contraccolpo quando si avvia il motore, tirare lentamente il cavo del motorino di avviamento finché non si sente una certa resistenza, quindi tirarlo rapidamente.
- Prima di avviare il motore, scollegare o rimuovere tutte le apparecchiature esterne e i carichi dal motore.
- Assicurarsi che i componenti ad accoppiamento diretto come lame, giranti, pulegge e pignoni, siano fissati saldamente.

**NOTA:** L'apparecchiatura di cui si dispone potrebbe essere fornita di comandi a distanza. Consultare il manuale dell'apparecchiatura specifica per la posizione e il funzionamento dei comandi a distanza.

1. Controllare l'olio del motore. Vedere la sezione **Controllo del livello dell'olio**.
2. Assicurarsi che i comandi delle apparecchiature, se presenti, siano disinnestati.
3. Portare la leva di controllo della valvola a farfalla/TransportGuard® (A, Figura 18), se presente, in posizione VELOCE o MARCIA. Mettere in funzione il motore nella posizione VELOCE o MARCIA.
4. Spostare il comando dello starter (B, Figura 18) in posizione CHIUSO.

In genere, per avviare un motore caldo, lo starter non è necessario.

5. **Avviamento a strappo, se presente:** Impugnare saldamente la stegola del cavo del motorino di avviamento (C, Figura 18). Tirare lentamente la stegola del motorino di avviamento finché non si incontra resistenza, quindi tirare rapidamente.



### AVVERTENZA

La rapida ritrazione del cavo del motorino di avviamento (contraccolpo) può proiettare con forza mani e braccia in direzione del motore. Pericolo di lussazioni, fratture, contusioni o distorsioni.

- Per evitare il contraccolpo quando si avvia il motore, tirare lentamente il cavo del motorino di avviamento finché non si sente una certa resistenza, quindi tirarlo rapidamente.
  - Prima di avviare il motore, scollegare o rimuovere tutte le apparecchiature esterne e i carichi dal motore.
  - Assicurarsi che i componenti ad accoppiamento diretto come lame, giranti, pulegge e pignoni, siano fissati saldamente.
6. **Avviamento elettrico, se presente:** Portare l'interruttore del motorino di avviamento elettrico (D, Figura 18) sulla posizione AVVIO.

### NOTA

Per estendere la durata del dispositivo di avviamento, usare dei cicli di avviamento brevi (cinque secondi al massimo). Aspettare un minuto tra un ciclo e il successivo.

7. Appena il motore si è riscaldato, spostare il comando dell'aria (B, Figura 18) in posizione APERTO.

Se il motore non parte dopo 2 o 3 tentativi, contattare il rivenditore locale, visitare [vanguardpower.com](http://vanguardpower.com) o chiamare 1-800-999-9333 (negli USA).

## Arrestare il motore



### AVVERTENZA

Il carburante e i suoi vapori sono infiammabili ed esplosivi. Gli incendi e le esplosioni possono provocare bruciature gravi o morte.

- Non aprire la valvola dell'aria del carburatore (se in dotazione) per arrestare il motore.

**Controllo valvola a farfalla/TransportGuard®:** Spostare il controllo della valvola a farfalla/TransportGuard® (A, Figura 19) in posizione DISATTIVO o ARRESTO.

**NOTA:** Quando il controllo valvola a farfalla/TransportGuard® (A, Figura 19) si trova in posizione DISATTIVO o ARRESTO, la valvola del carburante si trova in posizione DISATTIVO. Spostare sempre il controllo valvola a farfalla/TransportGuard® in posizione DISATTIVO o ARRESTO durante il trasporto dell'attrezzatura.

**NOTA:** La chiave (D, Figura 19) non consente di spegnere il motore. La chiave consente SOLO l'avviamento del motore. Rimuovere sempre la chiave (D) e conservarla in un luogo sicuro fuori dalla portata dei bambini.

# Manutenzione

## Informazioni di manutenzione



### AVVERTENZA

Il carburante e i suoi vapori sono infiammabili ed esplosivi. Gli incendi e le esplosioni possono provocare bruciature gravi o morte.

Durante la manutenzione, se è necessario inclinare l'unità, assicurarsi che il serbatoio carburante, se montato sul motore, sia vuoto e che il lato candela sia rivolto verso l'alto. Se il serbatoio carburante non è vuoto, il carburante può versarsi con rischio di incendio o esplosione. Se il motore viene inclinato in una direzione diversa, non si avvierà facilmente a causa della contaminazione di olio o carburante nel filtro dell'aria nella candela.



### AVVERTENZA

Scintille del motore accidentali possono causare scosse elettriche, incendi o esplosioni e provocare impigliamenti, amputazioni o lacerazioni.

#### Prima di effettuare modifiche o riparazioni:

- Scollegare i cavi delle candele e tenerli lontani dalle candele stesse.
- Scollegare il terminale negativo della batteria (solo sui motori ad avviamento elettrico).
- Usare solo attrezzi adatti.

#### Quando si controlla la presenza di scintille:

- Usare un tester approvato per candele.
- Non controllare la presenza di scintille con la candela rimossa.



### AVVERTENZA

Tutti i componenti utilizzati per assemblare questo motore devono rimanere nella posizione iniziale per un corretto funzionamento. Se si usano parti non corrette o se non si sostituiscono tutte le parti del motore, si possono verificare danni o lesioni.

- I ricambi devono essere uguali e installati nella stessa posizione dei componenti iniziali.
- Se installati, non manomettere le molle del regolatore, i collegamenti o altre parti per aumentare la velocità del motore.

### NOTA

Tutti i componenti utilizzati per costruire questo motore devono rimanere montati nelle proprie sedi per un funzionamento corretto.

Per tutte le operazioni di assistenza e manutenzione del motore e dei relativi componenti, contattare un'officina autorizzata Briggs & Stratton.

## Dichiarazione controllo emissioni

Per la manutenzione, la sostituzione o la riparazione dei dispositivi e degli impianti di controllo delle emissioni, contattare un tecnico di assistenza o un'officina di riparazione attrezzata per motori fuoristrada. Tuttavia, per ottenere un servizio di controllo delle emissioni "gratuito", è necessario che il servizio sia effettuato da un rivenditore autorizzato dall'azienda. Fare riferimento alle Dichiarazioni sul controllo delle emissioni.

## Programma di manutenzione

Prime 5 ore
<ul style="list-style-type: none"><li>• Cambiare l'olio.</li></ul>
Intervalli di 8 ore o giornalmente
<ul style="list-style-type: none"><li>• Controllare il livello dell'olio motore.</li><li>• Pulire l'area intorno al marmitta e ai comandi.</li><li>• Pulire la griglia di aspirazione dell'aria.</li></ul>
Intervalli di 100 ore o annualmente
<ul style="list-style-type: none"><li>• Eseguire la manutenzione del sistema di scarico.</li><li>• Cambiare l'olio nell'unità riduttore (se installata).</li></ul>
Intervalli di 200 ore o annualmente
<ul style="list-style-type: none"><li>• Cambiare l'olio del motore.</li><li>• Pulire il filtro dell'aria<sup>1</sup></li></ul>
Intervalli di 600 ore od ogni 3 anni
<ul style="list-style-type: none"><li>• Sostituire il filtro aria.</li></ul>

### Annualmente

- Sostituire la candela.
- Manutenzione dell'impianto carburante.
- Eseguire la manutenzione del sistema di raffreddamento<sup>1</sup>.
- Controllare la distanza delle valvole<sup>2</sup>.

<sup>1</sup> Pulire con maggiore frequenza in presenza di polvere o molte particelle nell'aria.

<sup>2</sup> Eseguire solo in caso di problemi relativi al motore.

## Karbiuratoriaus ir variklio greitis

Non effettuare regolazioni al carburatore, alla molla del regolatore, ai collegamenti o ad altre parti per regolare la velocità del motore. Qualora sia necessario apportare delle regolazioni, contattare un'Officina autorizzata Briggs & Stratton per assistenza.

### NOTA

Il produttore dell'attrezzatura specifica la velocità massima per il motore quando viene installato sull'attrezzatura. Non superare questa velocità. Se non si è sicuri di quale sia la velocità massima dell'apparecchiatura, o di quale sia l'impostazione della velocità del motore effettuata in fabbrica, contattare un'Officina autorizzata Briggs & Stratton per assistenza. Per un funzionamento sicuro e corretto dell'apparecchiatura, la velocità del motore deve essere regolata solo da un tecnico qualificato.

## Manutenzione della candela

Controllare la distanza elettrodo candela (A, Figura 20) con uno spessore (B). Se necessario, ripristinare la distanza elettrodo candela. Montare e serrare la candela al valore di coppia corretto. Per i valori della coppia di serraggio e della distanza, fare riferimento alla sezione **Specifiche**.

## Manutenzione dei sistemi di scarico e raffreddamento



### AVVERTENZA

Durante il funzionamento, il motore e la marmitta possono scaldarsi. Se si tocca un motore caldo, possono verificarsi ustioni.

**Materiali infiammabili come foglie, erba e arbusti, possono prendere fuoco.**

- Prima di toccare il motore o la marmitta, arrestare il motore e attendere due (2) minuti. Accertarsi che il motore e la marmitta possano essere toccati in sicurezza.
- Rimuovere i detriti dalla marmitta e dal motore.

La sezione 4442 del codice sulle risorse pubbliche della California (California Public Resource Code) vieta l'uso o l'operazione della macchina in zone forestali, zone cespugliose o zone erbose a meno che il sistema di scarico non sia dotato di parascintille, come definito nella sezione 4442, conservati in perfetta funzionalità. Altri Stati o giurisdizioni federali potrebbero disporre di leggi simili; fare riferimento al Regolamento federale 36 CFR Parte 261.52. Contattare il costruttore originale o un rivenditore autorizzato per avere un apposito parascintille per il sistema di scarico installato su questo motore.

Questo è un motore raffreddato ad aria. La presenza di sporco o detriti possono impedire il passaggio del flusso dell'aria e causare il surriscaldamento del motore. In tal caso le prestazioni del motore saranno scarse e la sua durata ridotta. Le alette di raffreddamento del cilindro possono accumulare materiale indesiderato che non può essere rimosso senza smontare parzialmente il motore. Assicurarsi che un'officina autorizzata Briggs & Stratton esamini e pulisca il sistema di raffreddamento ad aria. Vedere il **Programma di manutenzione**.

1. Accertarsi che non vi siano materiali infiammabili intorno e dietro la marmitta.
2. Utilizzare un pennello o un panno asciutto per togliere materiale indesiderato dal coperchio del convogliatore d'aria, dalla marmitta e dalla zona del cilindro. NON utilizzare acqua per pulire il motore.
3. Assicurarsi che i collegamenti, le molle e i comandi siano puliti.
4. Controllare la marmitta per verificare l'eventuale presenza di incrinature, corrosione o altri danni.
5. Rimuovere il deflettore o il parascintille, se installato, e ispezionarlo per verificare se è danneggiato o se è presente un'occlusione provocata dal carbonio. Assicurarsi di aver pulito o installato i pezzi di ricambio prima di mettere in funzione l'apparecchiatura.
6. Se le alette del radiatore dell'olio sono installate, accertarsi che siano pulite.

## Cambio dell'olio motore

### AVVERTENZA



**Il carburante e i suoi vapori sono infiammabili ed esplosivi. Gli incendi e le esplosioni possono provocare bruciature gravi o morte.**

**Durante il funzionamento, il motore e la marmitta possono scaldarsi. Se si tocca un motore caldo, possono verificarsi ustioni.**

- Se si scarica l'olio dalla parte superiore del tubo di riempimento, il serbatoio carburante deve essere vuoto. Se il serbatoio non è vuoto, il carburante può versarsi con rischio di incendio o esplosione.
- Prima di toccare il motore o la marmitta, arrestare il motore e attendere due (2) minuti. Accertarsi che il motore e la marmitta possano essere toccati in sicurezza.

L'olio esausto è un rifiuto pericoloso e deve essere smaltito correttamente. Non smaltire con i rifiuti domestici. Rivolgersi alle autorità locali, al centro assistenza o al rivenditore per le strutture di smaltimento/riciclo.

Per i modelli **Just Check & Add™** il cambio dell'olio non è richiesto. Se il cambio dell'olio è necessario, fare riferimento alla procedura riportata di seguito.

### Rimozione dell'olio

1. Con il motore spento ma ancora caldo, scollegare i fili della candela (D, Figura 21) e tenerli lontani dalla/e candela/e (E).
2. Togliere l'astina (A, Figura 22).
3. Il motore ha due tappi di scarico dell'olio (H, F, Figura 23). Rimuoverli (H, F). Spurgare l'olio in un contenitore approvato.
4. Installare e serrare i tappi di scarico dell'olio (H, F, Figura 23).

### Rifornimento di olio

- Assicurarsi che il motore sia a livello.
  - Rimuovere i materiali indesiderati dall'area per riempimento dell'olio.
  - Vedere la sezione **Specifiche** per la capacità coppa olio.
1. Rimuovere l'asta di livello. Fare riferimento alla sezione **Rimozione dell'olio**.
  2. Aggiungere lentamente l'olio all'interno di un'imboccatura nel motore (C, G, Figura 24). Non aggiungere olio in eccesso.
  3. Prima di effettuare il controllo del livello dell'olio attendere un minuto.
  4. Installare l'astina.
  5. Estrarre l'astina di livello e controllare il livello dell'olio. Il livello dell'olio corretto è indicato nella parte superiore dell'indicatore di pieno sull'astina. Fare riferimento alla sezione **Controllo del livello dell'olio**.
  6. Rimettere l'asta di livello e stringerla.
  7. Collegare il/i filo/i della candela alla/e candela/e stessa/e. Vedere la sezione **Rimozione dell'olio**.

## Cambiare l'olio del riduttore

Alcuni motori sono dotati di un riduttore. Se presente, fare riferimento ai passaggi per uno dei riduttori, riportati di seguito.

### Unità riduttore a catena con rapporto 2:1

Se il motore è installato con un riduttore a catena 2:1 (G, Figura 25), il cambio dell'olio non è necessario. L'olio nel motore lubrifica anche l'unità riduttore a catena.

### Unità riduttore con frizione con rapporto 2:1

Se il motore è dotato di un'unità riduttore con frizione con rapporto 2:1, procedere come segue:

1. Togliere l'astina (A, Figura 26).
2. Togliere il tappo di drenaggio (B, Figura 26) e scaricare l'olio in un contenitore appropriato.
3. Installare e serrare il tappo di scarico dell'olio (B, Figura 26).
4. Rabboccare lentamente l'olio nel motore (C, Figura 26). Vedere la sezione **Specifiche tecniche**.
5. Installare l'asta di livello (A, Figura 26).
6. Rimuovere l'astina (A, Figura 26) e controllare il livello dell'olio. Il livello dell'olio corretto è nella parte superiore dell'indicatore di pieno (D) sull'astina.
7. Installare l'asta di livello (A, Figura 26).

### Unità riduttore con rapporto 6:1

Se il motore è dotato di un riduttore con rapporto 6:1, procedere come segue:

1. Rimuovere il tappo di rabbocco dell'olio (A, Figura 27) e il tappo di livello dell'olio (B).
2. Togliere il tappo di drenaggio dell'olio (C, Figura 27) e scaricare l'olio in un contenitore appropriato.

3. Installare e serrare il tappo di scarico dell'olio (C, Figura 27).
4. Aggiungere lentamente l'olio per il riduttore (80W-90) nel bocchettone di rabbocco (D, Figura 27). Continuare ad aggiungere olio per il riduttore (80W-90) fino a quando non inizia a uscire dal bocchettone (E).
5. Installare e serrare il tappo di livello dell'olio (B, Figura 27).
6. Installare e serrare il tappo di rabbocco dell'olio (A, Figura 27).

**NOTA:** Il tappo di rabbocco dell'olio (A, Figura 27) ha un forellino di sfianto (F), per cui tale tappo va sempre installato sulla scatola del riduttore come illustrato.

## Manutenzione del filtro aria

### AVVERTENZA



**I vapori del carburante sono infiammabili ed esplosivi. Gli incendi e le esplosioni possono provocare bruciature gravi o morte.**

- Non avviare né far funzionare il motore con il gruppo di filtraggio dell'aria (se in dotazione) o il filtro dell'aria (se in dotazione) rimossi.

### NOTA

Non usare aria pressurizzata né solventi per pulire il filtro. L'aria compressa può danneggiare il filtro, mentre i solventi possono corrodere.

Consultare la **Tabella di manutenzione** per i requisiti di assistenza.

A seconda dei modelli, viene utilizzato un filtro dell'aria in schiuma o in carta. Alcuni modelli potrebbero anche essere dotati di un pre-filtro che può essere pulito e riutilizzato. Confrontare le illustrazioni in questo manuale con il tipo installato sul motore ed eseguire la manutenzione come segue.

### Filtro aria in carta

1. Allentare il/i dispositivo/i di fissaggio (C, Figura 28).
2. Rimuovere il coperchio (A, Figura 28) e il filtro (B).
3. Per togliere i detriti, battere delicatamente il filtro (B, Figura 28) su una superficie dura. Se il filtro è sporco, sostituirlo con uno nuovo.
4. Installare il filtro (B, Figura 28).
5. Installare il coperchio (A, Figura 28) con i fermi (C). Assicurarsi che il/i dispositivo/i di fissaggio sia/no stretto/i.

### Filtro dell'aria in carta - Basso Profilo

1. Spostare il fermo (A, Figura 29) per sbloccare il coperchio (C).
2. Spingere le linguette (B, Figura 29) e rimuovere il coperchio (C).
3. Rimuovere il filtro (D, Figura 29).
4. Per togliere i detriti, battere delicatamente il filtro (D, Figura 29) su una superficie dura. Se il filtro è sporco, sostituirlo con uno nuovo.
5. Installare il filtro (D, Figura 29).
6. Installare il coperchio (C, Figura 29). Spostare il fermo (A) nella posizione di blocco.

**NOTA:** Controllare che la guarnizione in spugna (E, Figura 29) sia ben inserita. Accertarsi che la guarnizione in spugna del perimetro sia alloggiata correttamente nel canale (F).

## Manutenzione dell'impianto carburante

### AVVERTENZA



**Il carburante e i suoi vapori sono infiammabili ed esplosivi. Gli incendi e le esplosioni possono provocare bruciature gravi o morte.**

- Tenere il carburante lontano da scintille, fiamme libere, fiamme pilota, calore e altre fonti di accensione.
- Esaminare frequentemente le linee del carburante, il serbatoio carburante, il tappo del carburante e i collegamenti per individuare crepe o perdite. Sostituire le parti danneggiate.
- Se il carburante si versa, attendere che si asciughi prima di avviare il motore.

### Filtro del carburante, se installato

1. Togliere il tappo del carburante (A, Figura 30).
2. Togliere il filtro del carburante (B, Figura 30).
3. Se il filtro del carburante è sporco, pulirlo o sostituirlo. Se si sostituisce il filtro del carburante, assicurarsi di usare un ricambio originale.

## Rimessaggio Impianto carburante

Vedere la Figura: 31.



**AVVERTENZA**  
**Il carburante e i suoi vapori sono infiammabili ed esplosivi. Gli incendi e le esplosioni possono provocare bruciature gravi o morte.**

#### Conservazione del carburante

- Poiché le fiamme pilota o altre fonti di accensione possono causare esplosioni, conservare il carburante o le altre apparecchiature lontano da forni, stufe, caldaie o altri dispositivi con fiamme pilota.

Mantenere il motore in piano (posizione di funzionamento normale). Riempire il serbatoio carburante (A, Figura 31) con carburante. Per consentire l'espansione del carburante, non riempire oltre il collo del serbatoio carburante (B).

Se conservato per più di 30 giorni in un contenitore, il carburante può diventare vecchio. Utilizzare uno stabilizzatore senza alcol e un trattamento all'etanolo nel contenitore usato per conservare il carburante e mantenerlo fresco.

Quando si riempie il contenitore con il carburante, aggiungere uno stabilizzatore senza alcol come specificato nelle istruzioni del produttore. Se non è stata trattata con uno stabilizzatore di carburante, la benzina presente nel motore deve essere drenata in un contenitore approvato. Avviare il motore e attendere che termini il carburante.

#### Olio motore

Mentre il motore è ancora caldo, cambiare l'olio. Fare riferimento alla sezione **Cambio dell'olio del motore**.

### Individuazione e correzione dei problemi

#### Assistenza

Per assistenza, contattare il rivenditore locale, visitare **BRIGGSandSTRATTON.COM** o chiamare il numero **1-800-444-7774** (negli USA).

### Specifiche e Pezzi di ricambio

Specifiche	Modello: 10V000	Modello: 12V000
Cilindrata	10.313 ci (169 cc)	12.387 ci (203 cc)
Alesaggio	2.44 poll. (62 mm)	2.677 poll. (68 mm)
Corsa	2.204 poll. (56 mm)	2.204 poll. (56 mm)
Capacità coppa olio	18 - 20 oz (.54 - .59 l)	18 - 20 oz (.54 - .59 l)
Unità riduttore con frizione con rapporto 2:1 - Tipo di olio	10W-30	10W-30
Unità riduttore con frizione con rapporto 2:1 - Capacità coppa olio	10 oz (.30 l)	10 oz (.30 l)
Riduttore con rapporto 6:1 - Tipo di olio	80W-90	80W-90
Riduttore con rapporto 6:1 - Capacità coppa olio	4 oz (12 l)	4 oz (12 l)
Distanza elettrodo candele	.030 poll. (.76 mm)	.030 poll. (.76 mm)
Coppia di serraggio candela	180 lb-poll. (20 Nm)	180 lb-poll. (20 Nm)
Intraferro indotto	.010 - .013 poll. (.25 - .35 mm)	.010 - .013 poll. (.25 - .35 mm)
Distanza valvola di aspirazione	.004 - .006 poll. (.10 - .15 mm)	.004 - .006 poll. (.10 - .15 mm)
Distanza valvola di scarico	.005 - .007 poll. (.15 - .20 mm)	.005 - .007 poll. (.15 - .20 mm)

Specifiche	Modello: 25V000
Cilindrata	24.898 ci (408 cc)
Alesaggio	3.465 poll. (88 mm)
Corsa	2.638 pollici (67 mm)
Bullone della staffa di montaggio del cavo	30 lb-poll. (3,4 Nm)
Vite del fermo del cavo	25 lb-poll. (2,8 Nm)
Capacità coppa olio	28 - 32 oz (.83 - .95 l)
Distanza elettrodo candele	.030 poll. (.76 mm)
Coppia di serraggio candela	180 lb-poll. (20 Nm)
Intraferro indotto	.010 - .013 poll. (.25 - .35 mm)

Specifiche	Modello: 25V000
Distanza valvola di aspirazione	.004 - .006 poll. (.10 - .15 mm)
Distanza valvola di scarico	.005 - .007 poll. (.15 - .20 mm)

La potenza del motore diminuisce del 3,5% ogni 1.000 piedi (300 metri) sul livello del mare e dell'1% ogni 10 °F (5,6 °C) sopra i 77 °F (25 °C). Il motore funzionerà in modo soddisfacente ad un'angolazione massima di 30°. Fare riferimento al Manuale dell'operatore dell'attrezzatura per i limiti di funzionamento in sicurezza sui tratti in pendenza.

#### Pezzi di ricambio

Per acquistare parti di ricambio Briggs & Stratton, trova un'Officina autorizzata all'indirizzo **BRIGGSandSTRATTON.COM**. Avrai bisogno del numero di identificazione (modello - tipo - trim). Per trovare il numero di identificazione motore, fai riferimento alla sezione **Funzioni e comandi**.

#### Potenza Nominale

La potenza nominale lorda per i singoli modelli di motore a benzina è etichettata in conformità con lo standard Small Engine Power & Torque Rating Procedure codice J1940 della SAE (Society of Automotive Engineers) ed è classificata conformemente a SAE J1995. I valori di coppia sono calcolati a 2600 RPM per i motori con la dicitura "rpm" sull'etichetta e a 3060 RPM per tutti gli altri motori; i valori di potenza in cavalli sono calcolati a 3600 RPM. Le curve di potenza lorda possono essere visualizzate sul sito **www.BRIGGSandSTRATTON.COM**. I valori di potenza netti sono ricavati con marmitta e filtro dell'aria installati mentre i valori di potenza lordi sono ricavati senza questi accessori. La potenza lorda reale del motore sarà superiore a quella netta ed è influenzata, fra altri fattori, da condizioni operative ambientali e variabilità da motore a motore. Data la vasta gamma di prodotti su cui sono installati i motori, il motore a benzina potrebbe non sviluppare la potenza lorda nominale quando usato su una data apparecchiatura. La differenza è dovuta a diversi fattori compreso, ma non esclusivamente, a varietà dei componenti del motore (filtro dell'aria, marmitta, carica, raffreddamento, carburatore, pompa del carburante, ecc.), restrizioni applicative, condizioni operative ambientali (temperatura, umidità, altitudine) e variabilità da motore a motore. A causa di limitazioni di produzione e di capacità, Briggs & Stratton potrà sostituire questo motore di serie con un motore di potenza nominale superiore.

#### Garanzia

#### Garanzia per il motore Briggs & Stratton®

Decorrenza marzo 2023

##### Garanzia limitata

Briggs & Stratton garantisce che, durante il periodo di garanzia specificato di seguito, provvederà alla riparazione o alla sostituzione gratuita, a sua esclusiva discrezione, di parti che presentino difetti di materiale o di lavorazione o entrambi con parti nuove, rettifiche o riprodotte. Le spese di trasporto del prodotto di cui si richiede la sostituzione o riparazione in garanzia sono a carico dell'acquirente. La presente garanzia risulta valida per il periodo di tempo indicato nel presente documento ed è soggetta alle condizioni indicate di seguito. Per l'assistenza in garanzia, è possibile individuare l'Officina autorizzata più vicina tramite la nostra mappa Trova officina all'indirizzo **BRIGGSandSTRATTON.COM**. L'acquirente dovrà contattare l'Officina autorizzata e mettere a disposizione di quest'ultima il prodotto per l'ispezione e la verifica.

**Non vi è alcun'altra garanzia esplicita. Le garanzie implicite, comprese quelle di commerciabilità e adeguatezza ad uno scopo particolare, si limitano a un anno dalla data di acquisto o nella misura in cui è consentito dalla legge. È esclusa ogni altra garanzia implicita. Le responsabilità per danni incidentali o indiretti sono escluse nella misura consentita dalla legge.** Alcuni stati o paesi non permettono limitazioni al periodo di validità di una garanzia implicita e alcuni stati o paesi non permettono l'esclusione o la limitazione della responsabilità per danni incidentali o indiretti, per cui le limitazioni sopra riportate potrebbero non applicarsi al vostro caso. La presente garanzia concede all'utente specifici diritti legali e lo stesso potrebbe avere altri diritti che variano da stato a stato o da Paese a Paese.

#### Termini di garanzia standard<sup>1, 2</sup>

##### Vanguard®; Serie CXi

Uso privato - 36 mesi

Uso industriale - 36 mesi

##### Serie XR

Uso privato - 24 mesi

Uso industriale - 24 mesi

##### Tutti gli altri motori con manicotti in ghisa Dura-Bore™

Uso privato - 24 mesi

Uso industriale - 12 mesi

##### Tutti gli altri motori

Uso privato - 24 mesi

## Termini di garanzia standard<sup>1, 2</sup>

Uso industriale - 3 mesi

<sup>1</sup> I presenti costituiscono i termini standard di garanzia, ma occasionalmente può essere prevista un'ulteriore copertura della garanzia, non determinata al momento della pubblicazione. Per un elenco completo dei termini di garanzia attuali applicati al proprio motore, visitare BRIGGSandSTRATTON.COM, oppure contattare un'Officina autorizzata Briggs & Stratton.

<sup>2</sup> Tale garanzia non è applicabile ai motori di apparecchi utilizzati per fornire potenza in sostituzione di un motore di servizio, ai generatori di standby usati per scopi commerciali, ai veicoli utilitari che superano le 25 MPH o ai motori utilizzati per corse o su tratte commerciali o da noleggio.

Il periodo di garanzia inizia alla data di acquisto del primo consumatore o utente professionale e si conclude come indicato nella tabella. Per "uso privato" si intende l'utilizzo effettuato da un acquirente al dettaglio presso la propria residenza. Per "uso commerciale" si intendono tutti gli altri usi, compresi gli usi commerciali, che generano reddito o il noleggio. Dopo che un motore è stato utilizzato ad uso professionale, sarà sempre classificato come motore per uso professionale ai fini di questa polizza di garanzia.

**Per ottenere assistenza in garanzia per i prodotti Briggs & Stratton non è richiesta alcuna registrazione. Conservare lo scontrino di ricevuta dell'acquisto. Qualora l'acquirente non sia in grado di fornire la prova della data dell'acquisto iniziale nel momento della richiesta di assistenza, il periodo di garanzia verrà determinato utilizzando la data di produzione.**

### Informazioni sulla garanzia

La presente garanzia copre esclusivamente i difetti del motore dovuti a difetti di materiale e/o lavorazione e non la sostituzione o il rimborso dell'attrezzatura sulla quale il motore può essere installato. La presente garanzia non copre la manutenzione di routine, le regolazioni, le correzioni o la normale usura. Inoltre, la presente garanzia non si applica in caso di alterazioni o modifiche del motore o in caso di rimozione o manomissione del numero di serie. La presente garanzia non copre danni al motore o problemi di performance causati da:

1. L'uso di pezzi nonBriggs & Stratton
2. Azionamento del motore con un olio lubrificante insufficiente, impuro o di grado scorretto;
3. L'uso di carburante impuro o vecchio, benzine formulate con un contenuto di etanolo superiore al 10% o l'uso di carburanti alternativi, come GPL o gas naturale su motori che non erano originariamente progettati/fabbricati da Briggs & Stratton per lavorare con simili carburanti;
4. Sporczia penetrata all'interno del motore a causa di manutenzione e rimontaggio non corretti del filtro dell'aria;
5. L'urto contro un oggetto solido da parte della lama di taglio di una falciatrice rotativa, adattatori delle lame, giranti o altri dispositivi accoppiati all'albero motore allentati o installati scorrettamente oppure a causa di un'eccessiva tensione della cinghia trapezoidale;
6. Parti combinate o gruppi quali frizioni, trasmissioni, attrezzature di comando, ecc., non forniti da Briggs & Stratton;
7. Surriscaldamento causato da residui d'erba, sporczia e detriti o nidi di roditori che tappano o intasano le alette di raffreddamento o l'area del volano o dall'azionamento del motore senza ventilazione sufficiente;
8. Vibrazioni eccessive causate da velocità eccessiva, montaggio del motore allentato, lame di taglio o giranti allentate o sbilanciate o accoppiamento improprio dei componenti dell'attrezzatura sull'albero motore;
9. Uso improprio, assenza di manutenzione di routine, spedizione, manipolazione o magazzino dell'attrezzatura o installazione scorretta del motore.

L'assistenza in garanzia è disponibile esclusivamente presso le officine autorizzate Briggs & Stratton. Localizzare l'Officina autorizzata più vicina sulla mappa Trova officina su BRIGGSandSTRATTON.COM o chiamare il numero 1-800-444-7774 (negli USA).

80114782 (Revisione B)

## Briggs & Stratton Emissions Warranty

### Manufacturer's Warranty Coverage:

The exhaust emissions control system on your engine is warranted for two years. If any emissions-related part on your engine is defective, the part will be repaired or replaced by B&S.

### Owner's Warranty Responsibilities:

- As the engine owner, you are responsible for the performance of the required maintenance listed in your owner's manual. B&S recommends that you retain all receipts covering maintenance on your engine, but B&S cannot deny warranty coverage solely for the lack of receipts or for your failure to ensure the performance of all scheduled maintenance.

- As the engine owner, you should however be aware that B&S may deny you warranty coverage if your engine or a part has failed due to abuse, neglect, or improper maintenance or unapproved modifications.
- You are responsible for presenting your engine to a B&S distribution center or service center as soon as the problem exists. The warranty repairs shall be completed in a reasonable amount of time, not to exceed 30 days. If you have a question regarding your warranty rights and responsibilities, you should contact B&S at 1-800-444-7774 (in USA) or BRIGGSandSTRATTON.COM.

80130178 Revision A



## Algemene informatie



Deze handleiding bevat de veiligheidsinformatie over de gevaren en risico's met betrekking tot de motor en hoe u deze kunt voorkomen. Hij bevat ook de juiste bediening en het onderhoud van deze motor. Het is belangrijk dat u deze instructies leest, begrijpt en opvolgt. **Bewaar deze handleiding voor later gebruik.**

**OPMERKING:** De Afbeeldingen en illustraties in deze handleiding zijn uitsluitend bedoeld als informatie en kunnen afwijken van het model motor dat u heeft. Gebruik de Afbeeldingen die overeenkomen met uw motorconfiguratie. Neem indien noodzakelijk contact op met een erkende servicedealer.

Noteer de aankoopdatum, het motormodel, het type, de uitvoering en het motorserienummer voor vervangende onderdelen. Deze nummers staan op uw motor. Raadpleeg het gedeelte **Functies en bedieningselementen**.

Aankoopdatum	
Motormodel - Type - Uitrusting	
Serienummer motor	

## Contactinformatie voor Europees kantoor

Voor vragen gerelateerd aan Europese emissies kunt u contact opnemen met ons Europees kantoor:

Max-Born-Straße 2, 68519 Viernheim, Duitsland.

## Fase V (5) van de Europese Unie (EU): Kooldioxide (CO<sub>2</sub>)-niveaus

Voer CO<sub>2</sub> in het zoekvenster op BriggsandStratton.com in om de kooldioxydewaarden van Briggs & Stratton EU-typegoedkeuringscertificaten te vinden.

## Veiligheid van de gebruiker

### Veiligheidssymbool en signaalwoorden



Het veiligheidssymbool duidt veiligheidsinformatie aan over gevaren die persoonlijk letsel tot gevolg kunnen hebben. Een signaalwoord (**GEVAAR**, **WAARSCHUWING**, of **VOORZICHTIG**) wordt gebruikt om te wijzen op de waarschijnlijkheid en de mogelijke ernst van het letsel. Verder wordt een gevarensymbool gebruikt om het soort gevaar aan te duiden.

**GEVAAR** duidt op een risico, dat indien het niet wordt vermeden, de dood of ernstig lichamelijk letsel tot gevolg zal hebben.

**WAARSCHUWING** duidt op een risico, dat indien het niet wordt vermeden, kan leiden tot de dood of een ernstig lichamelijk letsel.

**VOORZICHTIG** duidt op een gevaar dat, indien het niet wordt voorkomen, kan resulteren in licht of matig letsel.

**OPGEPAST** geeft informatie aan die wel belangrijk wordt geacht, maar niet gerelateerd is aan gevaar.

## Gevarensymbolen en hun betekenis

Veiligheidsinformatie over gevaren die tot persoonlijk letsel kunnen leiden.	Zorg dat u de gebruiksaanwijzing hebt gelezen en begrepen voordat u de eenheid bedient of onderhoud aan de eenheid uitvoert.
Brandgevaar	Explosiegevaar
Gevaar voor schokken	Giftigedampengevaar
Heteoppervlakkengevaar	Gevaar voor terugslag

Gevaar voor amputatie - Bewegende onderdelen	Brandstofniveau - Maximum Voeg niet te veel brandstof toe
--	--

## Veiligheidsberichten



### WAARSCHUWING

De motoren van Briggs & Stratton® zijn niet bedoeld voor en mogen niet worden gebruikt met: funkarts, go-karts, kinder-, vrijetijds- of terreinvoertuigen (ATVs), motorfietsen, hovercrafts, luchtvaartproducten of voertuigen die worden gebruikt bij wedstrijden die niet zijn goedgekeurd door Briggs & Stratton. Ga voor meer informatie over producten voor racewedstrijden naar [www.briggsracing.com](http://www.briggsracing.com). Neem voor gebruik in zij-aan-zij ATVs en naast elkaar geplaatste terreinwagens contact op met het Briggs & Stratton Power Application Center, 1-866-927-3349. Onjuist gebruik van de motor kan ernstig letsel of de dood tot gevolg hebben.

## Recycling-informatie



Recycle alle dozen, gebruikte olie en batterijen zoals aangegeven door overheidsvoorschriften.

## Functies en bedieningselementen

### Motorbedieningen

Vergelijk de letters in afbeeldingen 1, 2 en 3 met de motorbedieningen in de onderstaande lijst:

- A. Motoridentificatienummers **Model - Type - Code**
- B. Bougie
- C. Brandstoftank en -dop
- D. Luchtfilter
- E. Startkoordgreep
- F. Oliepeilstok
- G. Olievulopening
- H. Olieaftapplug
- I. Demper, demperbescherming (indien geïnstalleerd), vonkenvanger (indien geïnstalleerd)
- J. Gashendelbediening/brandstofkraan/TransportGuard™
- K. Choke
- L. Luchtinlaatrooster
- M. Elektrische startschakelaar (indien geïnstalleerd)
- N. Reductie-eenheid (indien geïnstalleerd)

Sommige motoren en apparatuur hebben afstandsbedieningen. Kijk in de betreffende handleiding voor de locatie en de bediening van de afstandsbedieningen.

## Motorbedieningssymbolen en hun betekenis

Motortoerental - SNEL	Motortoerental - LANGZAAM
Motortoerental - STOP	AAN - UIT
Motorstart Choke GESLOTEN (DICHT)	Motorstart Choke OPEN
Tankdop Brandstofkraan OPEN	Brandstofkraan GESLOTEN (DICHT)

# Montage

## Aanpassing van gashendel

De standaardmotor heeft een handmatige gashendel. Om de handmatige bediening van de gashendel te bedienen, installeert u een afstandsbediening voor de gashendel of converteert u het naar een vaste snelheid. Raadpleeg de instructies die volgen.

**OPMERKING:** De motorsnelheid moet correct zijn zoals gespecificeerd door de prestatiespecificaties van de machinefabrikant. Neem contact op met een erkende Briggs & Stratton-dealer voor hulp.

### Handmatige gashendel

1. Zet de gashendelbediening/TransportGuard®-hendel (A, afbeelding 4) in de stand UIT.
2. Verwijder de veer (S, afbeelding 4).

### Afstandsbediening voor gashendel met gevlochten draadkabel

Een afstandsbediening voor de gashendel met gevlochten draadkabel kan in één van de twee richtingen worden geïnstalleerd: **Richting cilinderkop** of **richting voorkant**.

#### Richting cilinderkop

1. Zet de gashendelbediening/TransportGuard™-hendel (A, afbeelding 5) in de stand UIT.
2. Draai met een moersleutel van 10 mm de moer (P, afbeelding 5) op de gashendelbediening/TransportGuard®-hendel (A) een ½ slag los.
3. Houd de kabelmontagemoer (J, afbeelding 6) tegen met een moersleutel van 10 mm en draai de schroef (K) los.
4. Installeer de kabeldraad (L, afbeelding 6) door de opening in de kabelbevestigingsmoer (J) en draai de schroef (K) vast. Zorg ervoor dat de kabeldraad (L) niet verder dan ½" (12,7 mm) uitsteekt tot voorbij het gat.
5. Maak de schroef (I, afbeelding 6) los. Bevestig de kabelhuls (N) onder de kabelklem (M) en draai de schroef (I) vast.
6. Controleer de werking van de afstandsbediening voor de gashendel. Verplaats de afstandsbediening voor de gashendelbediening 2-3 keer van langzaam naar snel. Zorg ervoor dat de afstandsbediening voor de gashendel en de kabeldraad (L, afbeelding 6) vrij kunnen bewegen. Stel de moer (P, afbeelding 7) af zoals noodzakelijk voor de gespecificeerde positie.

#### Richting voorkant

1. Pas de gashendel/Transport Guard™ aan:
  - a. **Voor motormodellen 10V000 en 12V000:** Zet de gashendelbediening/TransportGuard™-hendel (A, afbeelding 8) in de stand SNEL.
  - b. **Voor motormodellen 25V000:** Zet de gashendelbediening/TransportGuard™-hendel (A, afbeelding 8) in de stand UIT.
2. Draai met een moersleutel van 10 mm de moer (P, afbeelding 7) op de gashendelbediening/TransportGuard®-hendel (A) een ½ slag los.
3. Houd de kabelmontagemoer (J, afbeelding 8) tegen met een moersleutel van 10 mm en draai de schroef los.
4. Installeer de kabeldraad (L, afbeelding 8) door de opening in de kabelbevestigingsmoer (J) en draai de schroef (K) vast. Zorg ervoor dat de kabeldraad (L) niet verder dan ½" (12,7 mm) uitsteekt tot voorbij het gat.
5. Maak de schroef (I, afbeelding 8) los. Bevestig de kabelhuls (N) onder de klem (M) en draai de schroef (I) vast.
6. Controleer de werking van de afstandsbediening voor de gashendel. Verplaats de afstandsbediening voor de gashendelbediening 2-3 keer van langzaam naar snel. Zorg ervoor dat de afstandsbediening voor de gashendel en de kabel (L, 8) vrij kunnen bewegen. Stel de moer (P, afbeelding 7) af zoals noodzakelijk voor de gespecificeerde positie.

### Afstandsbediening voor gashendel met massieve draadkabel

Een afstandsbediening voor de gashendel met massieve draadkabel kan in één van de vier richtingen worden geïnstalleerd: **Richting cilinderkop**, **richting voorkant**, **richting linkerkant** of **richting rechterkant**.

#### Richting cilinderkop

1. Zet de gashendelbediening/TransportGuard®-hendel (A, afbeelding 9) in de stand UIT.
2. Verwijder de veer (S, afbeelding 9).
3. Zet de gashendelbediening/TransportGuard®-hendel (A, afbeelding 9) in de stand SNEL.
4. Draai met een moersleutel van 10 mm de moer (P, afbeelding 4) op de gashendelbediening/TransportGuard®-hendel (A) een ½ slag los.
5. Installeer de Z-fitting van de massieve kabeldraad (Q, afbeelding 9) op een van de kleine gaten in de kniehefboom (R).

6. Maak de schroef (I, afbeelding 9) los. Bevestig de kabelhuls (N) onder de kabelklem (M) en draai de schroef (I) vast.
7. Controleer de werking van de afstandsbediening voor de gashendel. Verplaats de afstandsbediening voor de gashendelbediening 2-3 keer van langzaam naar snel. Zorg ervoor dat de afstandsbediening voor de gashendel en de kabeldraad (L, afbeelding 9) vrij kunnen bewegen. Stel de moer (P, afbeelding 4) af zoals noodzakelijk voor de gespecificeerde positie.

#### Richting voorkant

1. Zet de gashendelbediening/TransportGuard®-hendel (A, afbeelding 10) in de stand UIT.
2. Verwijder de veer (S, afbeelding 10).
3. Zet de gashendelbediening/TransportGuard®-hendel (A, afbeelding 10) in de stand SNEL.
4. Draai met een moersleutel van 10 mm de moer (P, afbeelding 4) op de gashendelbediening/TransportGuard®-hendel (A) een ½ slag los.
5. Installeer de Z-fitting van de massieve kabeldraad (Q, afbeelding 10) op één van de twee kleine gaten in de kniehefboom (R).
6. Maak de schroef (I, afbeelding 10) los. Bevestig de kabelhuls (N) onder de klem (M) en draai de schroef (I) vast.
7. Controleer de werking van de afstandsbediening voor de gashendel. Verplaats de afstandsbediening voor de gashendelbediening 2-3 keer van langzaam naar snel. Zorg ervoor dat de afstandsbediening voor de gashendelbediening en de kabel (L, afbeelding 10) vrij kunnen bewegen. Stel de moer (P, afbeelding 4) af zoals noodzakelijk voor de gespecificeerde positie.

#### Richting linkerkant

1. Zet de gashendelbediening/TransportGuard®-hendel (A, afbeelding 11) in de stand UIT.
2. Verwijder de veer (S, afbeelding 4).
3. Zet de gashendelbediening/TransportGuard®-hendel (A, afbeelding 11) in de stand SNEL.
4. Draai met een moersleutel van 10 mm de moer (P, afbeelding 4) op de gashendelbediening/TransportGuard®-hendel (A, afbeelding 11) een ½ slag los.
5. Verwijder de knop van de gashendelbediening (W, afbeelding 11) om bij het kleine gat (S) te komen.
6. Installeer de Z-fitting van de massieve kabeldraad (L, afbeelding 11) aan op het kleine gat (S) in de gashendelbediening (A).
7. Maak de schroef (I, afbeelding 11) los. Bevestig de kabelhuls (N) onder de klem (M) en draai de schroef (I) vast.
8. Controleer de werking van de afstandsbediening voor de gashendel. Verplaats de afstandsbediening voor de gashendelbediening 2-3 keer van langzaam naar snel. Zorg ervoor dat de afstandsbediening voor de gashendelbediening en de kabel (L, afbeelding 11) vrij kunnen bewegen. Stel de moer (P, afbeelding 4) af zoals noodzakelijk voor de gespecificeerde positie.

#### Richting rechterkant

Om een afstandsbediening vanaf de rechterkant te installeren, is een kabelbevestigingsbeugel (U, afbeelding 12) vereist. Raadpleeg het gedeelte **Specificaties en serviceonderdelen** voor het onderdeelnummer. Neem contact op met een erkende servicedealer van Briggs & Stratton om een kabelbevestigingsbeugel te kopen.

1. Zet de gashendelbediening/TransportGuard®-hendel (A, afbeelding 12) in de stand UIT.
2. Verwijder de veer (S, afbeelding 4).
3. Verwijder de knop van de gashendelbediening (W, afbeelding 12) om het kleine gat (S) bloot te leggen.
4. Zet de gashendelbediening/TransportGuard®-hendel (A, afbeelding 12) in de stand SNEL.
5. Draai met een moersleutel van 10 mm de moer (P, afbeelding 4) op de gashendelbediening/TransportGuard®-hendel (A, 12) een ½ slag los.
6. Installeer de Z-fitting van de massieve kabeldraad (L, afbeelding 12) aan op het kleine gat (S) in de gashendelbediening (A).
7. Verwijder de bout (T, afbeelding 12). Installeer de kabelbevestigingsbeugel (U) zoals weergegeven. Bevestig de kabelbevestigingsbeugel (U) met de bout (T). Draai de bout (T) vast tot 30 lb-in (3,4 Nm). Raadpleeg het gedeelte **Specificaties en serviceonderdelen**.
8. Maak de schroef (I, afbeelding 12) los. Bevestig de kabelhuls (N) onder de klem (M) en draai de schroef (I) vast.

- Onderzoek de werking van de afstandsbediening voor de gashendel. Verplaats de afstandsbediening voor de gashendelbediening 2-3 keer van langzaam naar snel. Zorg ervoor dat de afstandsbediening voor de gashendel en de kabel (L, afbeelding 12) vrij kunnen bewegen. Stel de moer (P, afbeelding 4) af zoals noodzakelijk voor de gespecificeerde positie.

## Vast toerental (geen gashendelkabel)

Bij een conversie naar een **vaste motorsnelheid**, is er geen gashendelbedieningskabel geïnstalleerd en is er geen snelheidskeuze. SNEL is de enige motorsnelheid.

- Zet de gashendelbediening/TransportGuard®-hendel (A, afbeelding 13) in de stand UIT.
- Verwijder de veer (S, afbeelding 13).
- Zet de gashendelbediening/TransportGuard®-hendel (A, afbeelding 13) in de stand SNEL.
- Zorg ervoor dat de draadborgschroef (V, afbeelding 13) is uitgelijnd met het gat in de beugel. Haal de schroef (V) aan tot 25 lb-in (2,8 Nm).
- Verwijder de bedieningsverbinding (H, afbeelding 13).

**OPMERKING:** Op dit moment heeft de gashendelbediening/TransportGuard®-hendel slechts twee posities: de stand STOP/UIT en de stand DRAAIEN.

- Breng de nieuwe ON (AAN)/UIT-sticker van de TransportGuard® (O, afbeelding 14) aan over de bestaande snelheidsbedieningssticker op het trimpaneel (F).

## Bediening



**WAARSCHUWING**  
Brandstof dampen zijn ontbrandbaar en explosief. Brand of explosies kunnen brandwonden of de dood tot gevolg hebben.

### Als u gas ruikt

- De motor niet starten.
- Schakel geen elektrische schakelaars aan.
- Geen telefoon in de buurt gebruiken.
- Verlaat de omgeving.
- Neem contact op met de brandweer.

### Wanneer u de machine bedient

- Kantel de motor of machine niet tot een hoek die veroorzaakt dat er brandstof gemorst wordt.

### Wanneer u de locatie van de machine verplaatst

- Zorg ervoor dat de brandstoftank LEEG is of dat de brandstofafsluitklep, indien geïnstalleerd, in de stand GESLOTEN staat.

## Controleer het oliepeil

### Voordat u olie controleert of bijvult

- Zorg ervoor dat de motor waterpas staat.
- Verwijder vuil rondom het oliegebied.
- Zie het gedeelte **Specificaties** voor de oliecapaciteit.

### OPGEPAST

Deze motor werd door Briggs & Stratton zonder olie op transport gezet. Machinefabrikanten of dealers kunnen olie aan de motor hebben toegevoegd. Controleer voordat u de motor voor het eerst start of de olie op het juiste peil is. Vul olie bij volgens de instructies in deze handleiding. Als u de motor start zonder olie, zal er schade ontstaan en wordt de motor niet onder garantie gerepareerd.

- Verwijder de peilstok (A, afbeelding 15) en maak deze met een doek schoon
- Plaats de peilstok en zet die vast (A, afbeelding 15).
- Verwijder de peilstok en lees het oliepeil af. Zorg ervoor dat het oliepeil bovenaan bij de indicator voor vol staat (B, afbeelding 15) op de peilstok.
- De motor heeft twee olievloupingen (C, G, afbeelding 16). Als het oliepeil laag is, voegt u langzaam olie toe via de olievlouping (C, G). U mag niet te veel olie bijvullen. Wacht nadat u olie hebt bijgevoerd één minuut en controleer het oliepeil dan nogmaals. Zorg ervoor dat het oliepeil correct is.
- Plaats de peilstok en zet die vast (A, afbeelding 15).

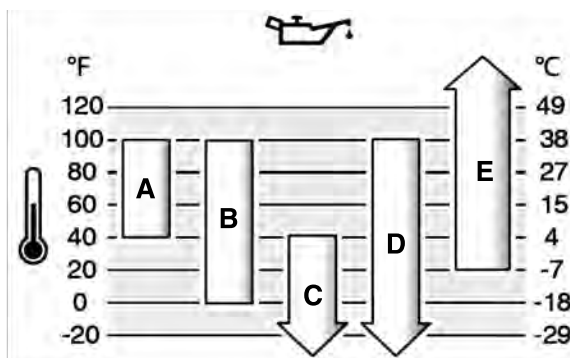
## Aanbevolen olie

**Oliecapaciteit:** Raadpleeg het hoofdstuk **Technische gegevens**.

We adviseren voor de beste prestaties het gebruik van door Briggs & Stratton® garantie gecertificeerde soorten olie. Andere hoogwaardige soorten reinigingsolie zijn toegestaan, mits deze geschikt zijn voor SF, SG, SH, SJ of hoger. Gebruik geen speciale additieven.

Bepaal met behulp van de tabel de beste viscositeit voor het verwachte bereik van de buitentemperatuur. Motoren op tuinmachines functioneren goed met 5W-30

Synthetische olie. Voor machines die bij hoge temperaturen gebruikt worden, biedt Vanguard® 15W-50 synthetische olie de beste bescherming.



A	SAE 30 - Onder 40 °F (4 °C) leidt het gebruik van SAE 30 tot problemen bij het starten.
B	10W-30 - Boven 80 °F (27 °C) kan het gebruik van 10W-30 leiden tot een hoger olieverbruik. Controleer het oliepeil regelmatig.
C	5W-30
D	Synthetisch 5W-30
E	Vanguard® Synthetisch 15W-50

## Beschermingssysteem tegen laag oliepeil (indien geïnstalleerd)

Op sommige motoren is een sensor voor laag oliepeil geïnstalleerd. Als het oliepeil laag is, toont de sensor een waarschuwinglampje of stopt het de motor. Stop de motor en voer deze stappen uit voordat u de motor start.

- Zorg ervoor dat de motor waterpas staat.
- Voer een controle van de olie uit. Raadpleeg het hoofdstuk **Oliepeil controleren**.
- Als het oliepeil laag is, moet u de correcte hoeveelheid olie bijvullen. Start de motor en controleer of het waarschuwinglampje (indien geïnstalleerd) niet aan gaat.
- Als het oliepeil niet laag is, start de motor niet. Neem contact op met een erkende servicedealer van Briggs & Stratton om het olieprobleem te verhelpen.

## Aanbevolen brandstof

**Brandstof moet aan de volgende vereisten voldoen:**

- Schone, verse, loodvrije benzine.
- Minimaal 87 octaan/87 AKI (91 RON). Zie hieronder voor gebruik op grote hoogte.
- Benzine met tot 10% ethanol (gasohol) is toegestaan.

### OPGEPAST

Gebruik geen niet-goedgekeurde benzine zoals E15 en E85. Meng geen olie in de benzine en pas de motor niet aan voor gebruik op alternatieve brandstoffen. Gebruik van niet-goedgekeurde brandstoffen kan beschadiging van motoronderdelen tot gevolg hebben, die niet onder de garantie worden gerepareerd.

Om het brandstofsysteem te beschermen tegen gomvorming en corrosie, mengt u een alcoholvrije brandstofstabilisator en een ethanolbehandeling door de brandstof. Raadpleeg het hoofdstuk **Opslag**. Niet alle brandstoffen zijn gelijk. Verander bij start- of prestatieproblemen van tankstation of merk. Deze motor is gecertificeerd om op benzine te lopen. Het emissieregelsysteem voor gecarbureerde motoren is EM (motorwrijvingen). Het emissieregelsysteem voor motoren met elektronische brandstofinjectie zijn ECM (motorbesturingsmodule), MPI (multi-poort injectie), TBI (gasklep huis brandstofinjectie) en indien hiermee uitgerust een O2S (zuurstofsensor).

### Grote hoogte

Bij hoogten boven 5.000 voet (1.524 meter) is benzine met een minimum van 85 octaan/85 AKI (89 RON) toegestaan.

Voor machines met carburator is afstelling voor werken op grote hoogte noodzakelijk om een goede werking te behouden. Werking zonder deze aanpassing zal leiden tot verminderde prestaties, verhoogd brandstofverbruik en verhoogde emissies. Raadpleeg een erkende Briggs & Stratton servicedealer voor instructies over de afstelling voor grote hoogtes. Het gebruik van de motor op hoogtes van minder dan 2.500 voet (762 meter) met de afstelling voor grote hoogtes wordt niet aanbevolen.

Bij motoren met elektronische brandstofinspuiting (EFI) is afstelling voor grote hoogten niet nodig.

## Brandstof bijvullen



### WAARSCHUWING

Brandstof en brandstofdampen zijn ontvlambaar en explosief. Brand of explosies kunnen brandwonden of de dood tot gevolg hebben.

#### Wanneer u brandstof bijvult

- Stop de motor. Wacht minimaal twee (2) minuten voordat u de brandstofvuldop verwijderd om er zeker van te zijn dat de motor is afgekoeld.
  - Vul de brandstoftank in de buitenlucht of in een gebied met een goede luchtstroming.
  - Doe niet te veel brandstof in de tank. Vul de brandstoftank niet voorbij de onderkant van de vulhals omdat de brandstof uitzet.
  - Houd brandstof uit de buurt van vonken, open vuur, waakvlammen, hitte en andere ontstekingsbronnen.
  - Controleer regelmatig de brandstofleidingen, brandstoftank, brandstofvuldop en aansluitingen op scheuren of lekkages. Vervang beschadigde onderdelen.
  - Indien brandstof wordt gemorst, wacht tot deze verdampt is voordat u de motor start.
1. Reinig het gebied rond de tankdop. Verwijder de tankdop.
  2. Vul de brandstoftank (A, afbeelding 17) met brandstof. Vul de brandstoftank niet tot boven de onderkant van de nek (B) omdat de brandstof zal uitzetten.
  3. Draai de tankdop vast.

## De motor starten



### WAARSCHUWING

**GEVAAR VAN GIFTIG GAS.** Motoruitlaatgassen bevatten koolmonoxide, een giftig gas dat u binnen enkele minuten doodt. Ook al ruikt u de uitlaatgassen niet, u kunt toch zijn blootgesteld aan gevaarlijke koolmonoxide. Als u zich tijdens het gebruik van deze machine misselijk, duizelig of zwak voelt, schakel het dan uit en ga **METEEN** de frisse lucht in. Raadpleeg een arts. Het kan zijn dat u koolmonoxidevergiftiging heeft.

- Koolmonoxidegas kan zich in bewoonde ruimten verzamelen. Om de kans te verkleinen dat zich koolstofmonoxidegas ophoopt en naar ruimten wordt getrokken waar zich personen bevinden moet u dit product **ALLEEN** buiten gebruiken, ver uit de buurt van vensters, deuren en ventilatieopeningen.
- Plaats koolmonoxidemelders op batterijen of melders op netvoeding met reservebatterij zoals gespecificeerd door de instructies van de fabrikant. Rookmelders kunnen geen koolmonoxide detecteren.
- Gebruik dit product **NIET** in huizen, garages, kelders, kruipruimten, schuurtjes of andere gesloten ruimten, ook niet met gebruik van ventilatoren of met geopende deuren en of ramen als ventilatie. Na het gebruik van dit product kan koolmonoxide zich snel in deze ruimten verzamelen en uren blijven hangen.
- Plaats dit product **ALTIJD** met de wind mee en richt de uitlaat van de motor altijd van bewoonde ruimten weg.



### WAARSCHUWING

Brandstof en brandstofdampen zijn ontvlambaar en explosief. Brand of explosies kunnen brandwonden of de dood tot gevolg hebben.

#### Wanneer u de motor start

- Zorg ervoor dat de bougie, de demper, de brandstofvuldop en het luchtfilter (indien aanwezig) correct geïnstalleerd zijn.
- Tracht de motor niet te starten terwijl de bougie verwijderd is.
- Als de motor verzopen is, zet u de choke (indien aanwezig) in de stand OPEN of AAN. Zet de gashendel (indien aanwezig) in de stand SNEL en start de motor tot deze aanslaat.
- Indien er lekkend aardgas of LP Gas in de buurt is, mag u de motor niet starten.
- Omdat de dampen brandbaar zijn, mag u geen onder druk staande startvloeistoffen gebruiken.



### WAARSCHUWING

Draaiende onderdelen kunnen handen, voeten, haar, kleding of accessoires verstrikken en traumatische amputatie of scheurwonden tot gevolg hebben.

- Bedien de machine met de beschermkappen correct geïnstalleerd.
- Houd handen en voeten weg van draaiende onderdelen.
- Verwijder sieraden en zorg ervoor dat lang haar uit de buurt blijft van alle draaiende delen.
- Draag geen losse kleding of voorwerpen die vast kunnen komen te zitten.



### WAARSCHUWING

Snel terugtrekken van het startkoord (terugslag) zal uw hand en arm sneller naar de motor toetrekken dan u kunt loslaten. Gebroken botten, breuken, kneuzingen of verstuikingen kunnen het gevolg zijn.

- Om terugslag te voorkomen bij het starten van de motor moet het startkoord langzaam uitgetrokken tot er weerstand gevoeld wordt en dan moet er snel aan getrokken worden.
- Voordat u de motor start, moet u alle externe machine- en motorbelastingen verwijderen.
- Zorg ervoor dat direct verbonden machinecomponenten zoals, maar niet beperkt tot, messen, aandrijvingen, poelies en tandwielen correct bevestigd zijn.

**OPMERKING:** Uw machine kan afstandsbedieningen hebben. Raadpleeg de betreffende handleiding voor de locatie en de bediening van de afstandsbedieningen.

1. Controleer de motorolie. Raadpleeg het gedeelte **Oliepeil controleren**.
2. Zorg ervoor dat bedieningen voor de aandrijving van de apparatuur, indien aanwezig, zijn uitgeschakeld.
3. Beweeg de gashendelbediening/TransportGuard<sup>®</sup> (A, afbeelding 18), indien aanwezig, naar de stand SNEL of AAN. Bedien de motor in de stand SNEL of AAN.
4. Zet de chokeregeling (B, afbeelding 18) in de stand GESLOTEN.

De choke is meestal niet noodzakelijk als u een warme motor start.

5. **Repeteerstarter, indien aanwezig:** Houd de startkoordhendel (C, afbeelding 18) stevig vast. Trek de startkoordhendel langzaam uit tot u weerstand voelt, trek vervolgens snel.



### WAARSCHUWING

Snel terugtrekken van het startkoord (terugslag) zal uw hand en arm sneller naar de motor toetrekken dan u kunt loslaten. Gebroken botten, breuken, kneuzingen of verstuikingen kunnen het gevolg zijn.

- Om terugslag te voorkomen bij het starten van de motor moet het startkoord langzaam uitgetrokken tot er weerstand gevoeld wordt en dan moet er snel aan getrokken worden.
  - Voordat u de motor start, moet u alle externe machine- en motorbelastingen verwijderen.
  - Zorg ervoor dat direct verbonden machinecomponenten zoals, maar niet beperkt tot, messen, aandrijvingen, poelies en tandwielen correct bevestigd zijn.
6. **Elektrische start, indien hiermee uitgerust:** Zet de elektrische start sleutel (D, afbeelding 18) in de stand START.

### OPGEPAST

Start altijd kort (maximaal vijf seconden) om de levensduur van de startmotor te verlengen. Wacht een minuut tussen startcycli.

7. Zet de chokeregeling (B, afbeelding 18) in de stand OPEN terwijl de motor opwarmt.

Indien de motor na 2 of 3 keer niet start, neem dan contact op met uw plaatselijke dealer of ga naar [vanguardpower.com](http://vanguardpower.com) of bel 1-800-999-9333 (in de USA).

## Stop de motor



### WAARSCHUWING

Brandstof en brandstofdampen zijn ontvlambaar en explosief. Brand of explosies kunnen brandwonden of de dood tot gevolg hebben.

- Choke de carburateur (indien aanwezig) niet om de motor te stoppen.

**Gashendelbediening/TransportGuard<sup>®</sup>:** Zet de gashendelbediening/TransportGuard<sup>®</sup> (A, afbeelding 19) in de stand UIT of STOP.

**OPMERKING:** Wanneer de gashendelbediening/TransportGuard<sup>®</sup> (A, afbeelding 19) zich in de stand UIT of STOP bevindt, dan is de brandstofklep in de stand UIT. Zet de gashendelbediening/TransportGuard<sup>®</sup> altijd in de stand UIT of STOP bij het vervoeren van de machine.

**OPMERKING:** De sleutel (D, afbeelding 19) stopt de motor niet. De sleutel is **ALLEEN** om de motor te starten. Verwijder de sleutel (D) altijd en bewaar deze op een veilige plaats buiten het bereik van kinderen.

# Onderhoud

## Onderhoudsinformatie

### WAARSCHUWING



Brandstof en brandstofdampen zijn ontvlambaar en explosief. Brand of explosies kunnen brandwonden of de dood tot gevolg hebben.

Als het noodzakelijk is om tijdens het onderhoud de machine te kantelen, zorg er dan voor dat de brandstoftank, indien gemonteerd op de motor, leeg is en dat de zijde met de bougie omhoog is. Als de brandstoftank niet leeg is, kan er brandstoflekkage optreden die brand of een explosie tot gevolg kunnen hebben. Als de motor in een andere richting wordt gekanteld, zal deze niet gemakkelijk starten vanwege olie- of brandstofverontreiniging van het luchtfilter of de bougie.

### WAARSCHUWING



Een spontane vonk van de motor kan een elektrische schok, brand of explosie veroorzaken en kan verstriking, traumatische amputatie of ander letsel tot gevolg hebben.

#### Voordat u aanpassingen maakt of reparaties uitvoert:

- Ontkoppel alle bougiekabels en houd deze weg van de bougies.
- Koppel de accukabel los van de negatieve accupool (alleen motoren met elektrische start).
- Gebruik uitsluitend het correcte gereedschap.

#### Wanneer u op vonkvorming controleert:

- Gebruik een goedgekeurde bougie tester.
- Controleer niet op vonkvorming met de bougie verwijderd.

### WAARSCHUWING



Alle onderdelen die worden gebruikt om deze motor te monteren, moeten in de oorspronkelijke positie blijven voor een correcte werking. Er kan schade of letsel ontstaan als u verkeerde onderdelen gebruikt of als u niet alle onderdelen van de motor vervangt.

- Vervangende onderdelen moeten identiek zijn aan, en op dezelfde positie worden geïnstalleerd als, de initiële onderdelen.
- Indien geïnstalleerd, wijzig dan niet de reguleur, koppelingen of andere onderdelen om het motorsnelheid te verhogen.

### OPGEPAST

Alle componenten die zijn gebruikt om deze motor te bouwen moeten op hun plaats blijven voor een correcte werking.

Raadpleeg voor al het onderhoud en alle service aan de motor en de motoronderdelen een erkende servicedealer van Briggs & Stratton.

## Onderhoud aan de emissieregeling

Neem voor onderhoud, vervanging of reparatie van apparaten en systemen voor emissiebeperking contact op met een gekwalificeerd bedrijf voor off-road motorreparaties of een servicemonteur. Maar voor de 'kosteloze' emissieregeling-service moeten deze werkzaamheden worden uitgevoerd door een erkende dealer. Raadpleeg de verklaringen voor emissieregeling.

## Onderhoudsschema

Eerste 5 uur
<ul style="list-style-type: none"><li>• De motorolie verversen.</li></ul>
Intervallen van 8 uur of dagelijks
<ul style="list-style-type: none"><li>• Controleer het oliepeil.</li><li>• Reinig het gebied rond de demper en bedieningen.</li><li>• Reinig het luchtinlaatrooster.</li></ul>
Intervallen van 100 uur of jaarlijks
<ul style="list-style-type: none"><li>• Onderhoud aan het uitlaatsysteem.</li><li>• Ververs de olie in de reductie-eenheid (indien geïnstalleerd).</li></ul>
Intervallen van 200 uur of jaarlijks
<ul style="list-style-type: none"><li>• De motorolie verversen.</li><li>• Reinig het luchtfilter<sup>1</sup></li></ul>
Intervallen van 600 uur of 3 jaar
<ul style="list-style-type: none"><li>• Vervang het luchtfilter.</li></ul>

### jaarlijks

- Vervang de bougie.
- Onderhoud aan het brandstofsysteem.
- Onderhoud aan het koelsysteem<sup>1</sup>.
- Controleer de klepspel<sup>2</sup>.

<sup>1</sup>Vaker reinigen in stoffige omstandigheden of als de lucht veel deeltjes bevat.

<sup>2</sup>Niet noodzakelijk, tenzij bij problemen met de motor.

## Carburateur en motortoerental

Voer geen aanpassingen uit aan de carburateur, reguleur, koppelingen of andere onderdelen om het motortoerental af te stellen. Als er afstellingen moeten worden uitgevoerd, neem contact op met een erkende servicedealer van Briggs & Stratton voor onderhoud.

### OPGEPAST

De fabrikant van de apparatuur heeft het maximale toerental voor de motor zoals geïnstalleerd in de apparatuur gespecificeerd. Overschrijd dit toerental niet. Als u niet zeker weet wat het maximale toerental van de machine is of waarop het motortoerental in de fabriek is ingesteld, neem contact op met een erkende servicedealer van Briggs & Stratton. Voor een veilige en correcte bediening van de machine mag het motortoerental uitsluitend worden afgesteld door een gekwalificeerde servicemonteur.

## Onderhoud aan de bougies

Controleer de elektrodeafstand van de bougie (A, afbeelding 20) met een draadkaliber (B). Stel indien noodzakelijk de elektrodeafstand van de bougie bij. Installeer de bougie en draai deze vast met het juiste aanhaalkoppel. Zie voor afstelling van de elektrodeafstand en specificaties van het aanhaalkoppel het gedeelte **Specificaties**.

## Onderhoud van de uitlaat- en de koelsystemen

### WAARSCHUWING



Tijdens het gebruik worden de motor en de demper heet. Als u een hete motor aanraakt, kan dit thermische brandwonden veroorzaken.

Brandbare materialen, zoals bladeren, gras, snoeihout enz. kunnen vlam vatten.

- Voordat u de motor of demper aanraakt, stop de motor en wacht twee (2) minuten. Zorg ervoor dat de motor en de demper veilig zijn om aan te raken.
- Verwijder vuil van de demper en de motor.

Overeenkomstig de California Public Resource Code Sectie 4442 is het verboden de motor te gebruiken in de buurt van een bos-, kreupelhout- of grasgebied tenzij het uitlaatsysteem is uitgerust met een vonkenvanger, zoals gedefinieerd in Sectie 4442, die in goede staat wordt gehouden. Andere staten of federale rechtsgebieden hebben mogelijk vergelijkbare wetten; raadpleeg Federaal Voorschrift 36 CFR Deel 261.52. Neem contact op met de fabrikant, verkoper of dealer om een vonkenvanger te verkrijgen die geschikt is voor het op deze motor gemonteerde uitlaatsysteem.

Dit is een luchtgekoelde motor. Vuil of ongewenst materiaal kan de luchtstroom belemmeren en ervoor zorgen dat de motor te heet wordt. Dit resulteert in matige prestaties en verkort de levensduur van de motor. De koelribben van de cilinder kunnen ongewenst materiaal verzamelen dat niet kan worden verwijderd zonder de motor gedeeltelijk te demonteren. Zorg ervoor dat een erkende servicedealer van Briggs & Stratton het luchtkoelsysteem onderzoekt en reinigt. Raadpleeg het **Onderhoudsschema**.

1. Zorg ervoor dat er zich geen brandbare materialen rond en achter de demper bevinden.
2. Gebruik een borstel of een droge doek om al het ongewenste materiaal van het ventilatorhuisdeksel, de demper en het cilindergebied te verwijderen. Gebruik GEEN water om de motor schoon te maken.
3. Zorg ervoor dat de koppeling, veren en bedieningselementen schoon zijn.
4. Inspecteer de demper op barsten, corrosie of andere beschadiging.
5. Verwijder de deflector of de vonkenvanger, indien geïnstalleerd, en controleer op beschadiging of koolstofblokkering. Zorg ervoor dat u de vervangende onderdelen reinigt of installeert voordat u de apparatuur bedient.
6. Wanneer het is geïnstalleerd, zorg ervoor dat de oliekoelribben schoon zijn.

## Motorolie verversen



### WAARSCHUWING

**Brandstof en brandstofdampen zijn ontvlambaar en explosief. Brand of explosies kunnen brandwonden of de dood tot gevolg hebben.**

**Tijdens het gebruik worden de motor en de demper heet. Als u een hete motor aanraakt, kan dit thermische brandwonden veroorzaken.**

- Als u de olie aftapt uit de olievulbuis aan de bovenkant, dan moet de brandstoftank leeg zijn. Als deze niet leeg is, kan er brandstoflekkage optreden die brand of een explosie kan veroorzaken.
- Voordat u de motor of demper aanraakt, stop de motor en wacht twee (2) minuten. Zorg ervoor dat de motor en de demper veilig zijn om aan te raken.

Gebruikte olie is een gevaarlijk afvalproduct en moet op correcte wijze worden afgevoerd. Voer het niet met het huishoudelijk afval af. Neem contact op met de plaatselijke autoriteiten, het servicecentrum of uw dealer voor veilige afvoer- of recyclingbedrijven.

Voor **Just Check & Add™** modellen, is olie verversen niet noodzakelijk. Als olie verversen noodzakelijk is, raadpleeg dan de onderstaande procedure.

### Olie verwijderen

1. Maak bij een uitgeschakelde, maar warme motor de bougiekabels (D, afbeelding 21) los en houd deze uit de buurt van de bougie(s) (E).
2. Verwijder de peilstok (A, afbeelding 22).
3. De motor heeft twee olieaftappluggen (H, F, afbeelding 23). Verwijder de olieaftappluggen (H, F). Laat de olie in een goedgekeurde bak stromen.
4. Plaats de olieaftapplug en zet deze vast (H, F, afbeelding 23).

### Olie bijvullen

- Zorg ervoor dat de motor waterpas staat.
  - Verwijder al het ongewenste materiaal rondom het gebied waar olie moet worden bijgevuld.
  - Raadpleeg hoofdstuk **Specificaties** voor de oliecapaciteit.
1. Verwijder de oliepeilstok. Raadpleeg het hoofdstuk **Olie verwijderen**.
  2. Voeg langzaam olie toe in de vulopening voor motorolie (C, G, Afbeelding 24). U mag niet te veel olie bijvullen.
  3. Wacht 1 minuut en controleer het oliepeil opnieuw.
  4. Installeer de peilstok.
  5. Verwijder de peilstok en lees het oliepeil af. Het oliepeil is juist als het bovenaan bij de indicator voor vol op de peilstok staat. Raadpleeg het hoofdstuk **Het oliepeil controleren**.
  6. Plaats de peilstok terug en druk deze goed aan.
  7. Sluit de bougiekabel(s) aan op de bougie(s). Raadpleeg het gedeelte **Olie verwijderen**.

## Tandwielreductieolie vervangen

Sommige motoren zijn uitgerust met een tandwielreductie-eenheid. Raadpleeg, indien aanwezig, de stappen voor een van de tandwielreductie-eenheden die volgen.

### 2:1 Kettingreductie-eenheid

Als de motor is uitgerust met een 2:1 kettingreductie-eenheid (G, afbeelding 25), is een verversen van de olie niet noodzakelijk. De olie in de motor smeert ook de kettingreductie-eenheid.

### 2:1 Natte koppeling reductie-eenheid

Indien de motor is uitgerust met een 2:1 natte koppeling, voert u de volgende stappen uit:

1. Verwijder de peilstok (A, afbeelding 26).
2. Verwijder de olieaftapplug (B, afbeelding 26) en tap de olie af in een goedgekeurde opvangbak.
3. Plaats de olieaftapplug (B, afbeelding 26) en zet deze vast.
4. Giet de olie langzaam in de olievulopening (C, afbeelding 26). Zie het gedeelte **Specificaties**.
5. Plaats de peilstok (A, afbeelding 26).
6. Verwijder de peilstok (A, afbeelding 26) en controleer het oliepeil. Het oliepeil is juist als het bovenaan bij de indicator voor vol (D) op de peilstok staat.
7. Plaats de peilstok (A, afbeelding 26).

### 6:1 Tandwielreductie-eenheid

Indien uw motor is uitgerust met een 6:1 tandwielreductie-eenheid, voert u de volgende stappen uit:

1. Verwijder de olievulplug (A, afbeelding 27) en de oliepeilplug (B).
2. Verwijder de olieaftapplug (C, afbeelding 27) en tap de olie af in een goedgekeurde opvangbak.
3. Plaats de olieaftapplug en draai deze vast (C, afbeelding 27).
4. Voeg langzaam tandwielreductieolie (80W-90) toe via de olievulopening (D, afbeelding 27). Blijf de tandwielreductieolie (80W-90) toevoegen totdat de olie uit het oliepeilgat (E) komt.
5. Plaats de oliepeilplug en zet deze vast (B, afbeelding 27).
6. Plaats de olievulplug en zet deze vast (A, afbeelding 27).

**OPMERKING:** De olievulplug (A, afbeelding 27) heeft een ontluuchtingsopening (F) en moet worden gemonteerd op de bovenzijde van de afdekking van de tandwielkast, zoals afgebeeld.

## De luchtfilter onderhouden



### WAARSCHUWING

**Brandstof dampen zijn ontbrandbaar en explosief. Brand of explosies kunnen brandwonden of de dood tot gevolg hebben.**

- De motor niet starten en gebruiken als de luchtreiniger (indien aanwezig) of het luchtfilter (indien aanwezig) is verwijderd.

### OPGEPAST

Reinig het filter niet met perslucht of oplosmiddelen. Perslucht kan beschadiging aan het filter tot gevolg hebben en oplosmiddelen lossen het filter op.

Zie het **Onderhoudsschema** voor het benodigde onderhoud.

Verschillende modellen gebruiken een schuim of een papieren filter. Sommige modellen kunnen ook uitgerust zijn met een optioneel voorfilter dat kan worden gereinigd en opnieuw gebruikt. Vergelijk de afbeeldingen in deze handleiding met het type dat op uw motor is gemonteerd en voer onderhoud op basis daarvan uit.

### Papieren luchtfilter

1. Maak de bevestiging(en) los (C, afbeelding 28).
2. Verwijder het deksel (A, afbeelding 28) en het filter (B).
3. Tik het filter (B, afbeelding 28) zachtjes op een hard oppervlak om het vuil los te maken. Als het filter vuil is, vervangt u het door een nieuw filter.
4. Installeer het filter (B, afbeelding 28).
5. Monteer de deksel (A, afbeelding 28) en zet deze vast met de bevestiging(en) (C). Controleer of de bevestiging(en) goed vastzitten.

### Papieren luchtfilter, laag profiel

1. Verplaats de vergrendeling (A, afbeelding 29) om het deksel (C) te ontgrendelen.
2. Druk de lipjes in (B, afbeelding 29) en verwijder het deksel (C).
3. Verwijder het filter (D, afbeelding 29).
4. Tik het filter (D, afbeelding 29) zachtjes op een hard oppervlak om het vuil los te maken. Als het filter vuil is, vervangt u het door een nieuw filter.
5. Installeer het filter (D, afbeelding 29).
6. Installeer het deksel (C, afbeelding 29). Verplaats de vergrendeling (A) naar de vergrendelstand.

**OPMERKING:** Controleer de pasvorm van de schuimafdichting (E, afbeelding 29). Zorg ervoor dat de perimeter-schuimafdichting correct in het kanaal (F) zit.

## Onderhoud aan het brandstofsysteem



### WAARSCHUWING

**Brandstof en brandstofdampen zijn ontvlambaar en explosief. Brand of explosies kunnen brandwonden of de dood tot gevolg hebben.**

- Houd brandstof uit de buurt van vonken, open vuur, waakvlammen, hitte en andere ontstekingsbronnen.
- Controleer regelmatig de brandstofleidingen, brandstoftank, brandstofvuldop en aansluitingen op scheuren of lekkages. Vervang beschadigde onderdelen.
- Indien brandstof wordt gemorst, wacht tot deze verdampt is voordat u de motor start.

### Brandstofzeef, indien geïnstalleerd

1. Verwijder de brandstofdop (A, afbeelding 30).
2. Verwijder de brandstofzeef (B, afbeelding 30).
3. Reinig of vervang de brandstofzeef wanneer deze vuil is. Vervang een brandstofzeef altijd door een origineel vervangingsonderdeel.

# Opslag

## Brandstofsysteem

Raadpleeg afbeelding: 31.



### WAARSCHUWING

Brandstof en brandstofdampen zijn ontvlambaar en explosief. Brand of explosies kunnen brandwonden of de dood tot gevolg hebben.

### Brandstofopslag

- Omdat waakvlammen of andere ontstekingsbronnen explosies kunnen veroorzaken, moet u brandstof of de machine uit de buurt houden van ovens, kachels, boilers of andere apparaten met waakvlammen.

Hou de motor waterpas (normale bedrijfsstand). Vul de brandstoftank (A, afbeelding 31) met brandstof. Vul de brandstoftank niet tot boven de onderkant van de vulhals (B) omdat de brandstof uitzet.

Brandstof kan oud worden als deze langer dan 30 dagen in een opslagcontainer wordt bewaard. Het gebruik van een alcoholvrije brandstofstabilisator en ethanolbehandeling in de brandstofopslagtank wordt aanbevolen om brandstofdegradatie te voorkomen en de brandstof vers te houden.

Wanneer u de brandstofcontainer met brandstof vult, voegt u een alcoholvrije brandstofstabilisator toe zoals gespecificeerd in de instructies van de fabrikant. Als de benzine in de motor niet is behandeld met een brandstofstabilisator, moet deze worden afgetapt in een goedgekeurde container. Laat de motor draaien totdat de brandstof op is.

## Motorolie

Ververs de motorolie als de motor nog warm is. Raadpleeg het gedeelte **Motorolie verversen**.

## Problemen oplossen

### Assistance

Als u hulp nodig hebt, neem dan contact op met uw dealer of ga naar **BRIGGSandSTRATTON.COM** of bel **1-800-444-7774** (in de USA).

## Specificaties en serviceonderdelen

Specificaties	Model: 10V000	Model: 12V000
Cilinderinhoud	10.313 ci (169 cc)	12.387 ci (203 cc)
Boring	2.44 in. (62 mm)	2.677 in. (68 mm)
Slag	2.204 in. (56 mm)	2.204 in. (56 mm)
Oliecapaciteit	18 - 20 oz (,54 - ,59 L)	18 - 20 oz (,54 - ,59 L)
2:1 Natte koppeling reductie - Type olie	10W-30	10W-30
2:1 Natte koppeling reductie - Oliecapaciteit	10 oz (,30 L)	10 oz (,30 L)
6:1 Tandwielreductie - Type olie	80W-90	80W-90
6:1 Tandwielreductie - Oliecapaciteit	4 oz (12 L)	4 oz (12 L)
Elektrodeafstand van bougie	.030 in. (.76 mm)	.030 in. (.76 mm)
Aanhaalkoppel bougie	180 lb-in (20 Nm)	180 lb-in (20 Nm)
Luchtspleet van ontstekingsspoel	.010 - .013 in. (.25 - ,35 mm)	.010 - .013 in. (.25 - ,35 mm)
Inlaatklepspeling	.004 - .006 in. (.10 - ,15 mm)	.004 - .006 in. (.10 - ,15 mm)
Uitlaatklepspeling	.005 - .007 in. (.15 - ,20 mm)	.005 - .007 in. (.15 - ,20 mm)

Specificaties	Model: 25V000
Cilinderinhoud	24.898 ci (408 cc)
Boring	3.465 in. (88 mm)
Slag	2.638 in. (67 mm)
Bout kabelbevestigingsbeugel	30 lb-in (3,4 Nm)
Draadborgschroef	25 lb-in (2,8 Nm)
Oliecapaciteit	28 - 32 oz (,83 - ,95 L)
Elektrodeafstand van bougie	.030 in. (.76 mm)

Specificaties	Model: 25V000
Aanhaalkoppel bougie	180 lb-in (20 Nm)
Luchtspleet van ontstekingsspoel	.010 - .013 in. (.25 - ,35 mm)
Inlaatklepspeling	.004 - .006 in. (.10 - ,15 mm)
Uitlaatklepspeling	.005 - .007 in. (.15 - ,20 mm)

Het motorvermogen neemt 3,5% af voor elke 1.000 voet (305 meter) boven zeeniveau en 1% voor elke 10 °F (-12 °C) boven 77 °F (25 °C). De motor werkt goed tot een hellingshoek van 30°. Raadpleeg de gebruikershandleiding van de machine voor de maximaal toegestane veilige hellingshoeken.

## Serviceonderdelen

Om Briggs & Stratton-serviceonderdelen te kopen, zoekt u een erkende servicedealer op **BRIGGSandSTRATTON.COM**. U hebt uw identificatienummer nodig (model - type - uitvoering). Raadpleeg het hoofdstuk **Functies en bedieningselementen** om het identificatienummer van uw motor te vinden.

## Nominaal vermogen

Vermogenklasseringen: de brutovermogenklassering voor afzonderlijke benzinemotormodellen is ingedeeld conform SAE (Society of Automotive Engineers)-code J1940 Vermogens en torsieklasseringsprocedure voor kleine motoren, en is geklasseerd conform SAE J1995. Koppelwaarden zijn afgeleid bij 2600 TPM voor de motoren met een "rpm" (TPM) aangegeven op het plaatje en 3060 TPM voor alle andere. Paardenkrachtwaarden zijn afgeleid bij 3600 TPM. De brutovermogenscurves staan op **www.BRIGGSandSTRATTON.COM**. Nettovermogenswaarden worden bepaald met geïnstalleerde uitlaat en luchtfilter, terwijl brutovermogenswaarden worden verzameld zonder deze hulpstukken. Het werkelijke brutomotorvermogen zal hoger zijn dan het nettomotorvermogen en wordt beïnvloed door, onder andere, omgevingsomstandigheden en variaties tussen motoren. Gezien de vele verschillende producten waarop onze motoren worden aangebracht, zal de benzinemotor mogelijk niet zijn nominale brutovermogen ontwikkelen als deze wordt gebruikt in een door een motor aangedreven machine. Dit verschil wordt veroorzaakt door diverse factoren waaronder, maar niet uitsluitend, de verscheidenheid aan motoronderdelen (luchtfilter, uitlaat, turbo, koeling, carburateur, brandstofpomp enz.), toepassingsbeperkingen, omgevingsomstandigheden (temperatuur, vochtigheid, hoogte) en verschillen tussen motoren. Vanwege fabricage- en capaciteitsbeperkingen kan Briggs & Stratton een motor met een hoger nominaal vermogen vervangen door deze motor.

## Garantie

### Garantie op de motor van Briggs & Stratton®

Met ingang van maart 2023

#### Beperkte garantie

Briggs & Stratton garandeert dat, gedurende de hieronder vermelde garantietermijn, het, naar eigen goeddunken van Briggs & Stratton, elk onderdeel dat defect is in materiaal, of vakmanschap of beide, kosteloos gerepareert of vervangt door een nieuw, gereviseerd of opnieuw vervaardigd onderdeel. Transportkosten voor producten die onder deze garantie voor reparatie of vervanging worden aangeboden, zijn voor rekening van de koper. Deze garantie is geldig voor- en onderhavig aan de onderstaande periodes en voorwaarden. Voor garantieservice zoekt u de dichtstbijzijnde erkende servicedealer op onze dealerlocatiekaart op **BRIGGSandSTRATTON.COM**. De koper moet contact opnemen met de erkende servicedealer en het product beschikbaar stellen aan de erkende servicedealer voor inspectie en testen.

**Er is geen andere uitdrukkelijke garantie. Impliciete garanties, inclusief voor verkoopbaarheid en geschiktheid voor een bepaald doel, zijn beperkt tot één jaar na aankoop of in de wettelijke toegestane mate. Alle andere impliciete garanties zijn uitgesloten. Aansprakelijkheid voor incidentele of gevolgschade wordt uitgesloten voor zover dit wettelijk toegestaan is.** Sommige staten of landen staan geen beperkingen toe over de periode waarin een impliciete garantie geldig is, en sommige staten of landen staan geen uitsluiting of beperking van incidentele of gevolgschade toe, zodat de bovenstaande beperkingen en uitsluitingen mogelijk niet op u van toepassing zijn. Deze garantie geeft u bepaalde specifieke wettelijke rechten en u kunt mogelijk andere rechten hebben die van rechtsgebied tot rechtsgebied variëren.

Standaardvoorwaarden voor de garantie <sup>1, 2</sup>
<b>Vanguard®; CXi-serie</b>
Voor particuliere doeleinden - 36 maanden
Voor commerciële doeleinden - 36 maanden
<b>XR-serie</b>
Voor particuliere doeleinden - 24 maanden
Voor commerciële doeleinden - 24 maanden
<b>Alle overige motoren, waaronder de Dura-Bore™ Gietijzeren Voering</b>
Voor particuliere doeleinden - 24 maanden

<b>Standaardvoorwaarden voor de garantie<sup>1, 2</sup></b>
Voor commerciële doeleinden - 12 maanden
<b>Alle overige motoren</b>
Voor particuliere doeleinden - 24 maanden
Voor commerciële doeleinden - 3 maanden

<sup>1</sup> Dit zijn onze standaardvoorwaarden voor garantie, maar er kunnen aanvullende garantiendeckingen zijn die op het moment van publicatie nog niet waren bepaald. Ga voor alle actuele garanti voorwaarden voor uw motor naar BRIGGSandSTRATTON.COM of neem contact op met uw erkende servicedealer van Briggs & Stratton.

<sup>2</sup> Er wordt geen garantie verleend op motoren op de machines die worden gebruikt voor primair vermogen in plaats van een hulpmotor of als stand-bygenerator voor commerciële doeleinden, utiliteitsvoertuigen die harder gaan dan 40 km/u of motoren die in racewedstrijden worden gebruikt of in commerciële of verhuurtrajecten. mph

De garantieperiode begint te lopen vanaf de datum van aankoop door de eerste kleinhandelsgebruiker of commerciële gebruiker en is geldig gedurende de tijdsperiode vermeld in de tabel hierboven. "Voor particuliere doeleinden" betekent persoonlijk, huishoudelijk gebruik door een particuliere consument. "Voor commerciële doeleinden" betekent elk ander gebruik, inclusief gebruik voor commerciële, inkomensvormende of verhuurdoeleinden. Als een motor eenmaal commerciële doeleinden is, dan zal deze daarna voor deze garantie als commerciële doeleinden worden beschouwd.

**Er is geen garantieregistratie vereist om een garantie op Briggs & Stratton-producten te krijgen. Bewaar uw aankoopbewijs. Als u geen bewijs van de oorspronkelijke aankoopdatum verstrekt op het moment dat u een beroep op de garantieservice doet, wordt de productiedatum van het product gebruikt om de garantieperiode te bepalen.**

#### **Over uw garantie**

Deze garantie dekt uitsluitend aan de motor gerelateerde defecte materialen en/of bewerkingen, en niet vervanging of vergoeding van de machine waarop de motor gemonteerd kan zijn. Routineonderhoud, afstellingen, aanpassingen of normale slijtage vallen niet onder deze garantie. De garantie is ook niet van toepassing als de machine is gewijzigd of aangepast, of als het serienummer van de motor is beschadigd of verwijderd. Deze garantie geldt niet voor schade aan de motor of prestatieproblemen door:

1. Het gebruik van niet-originele Briggs & Stratton-onderdelen;
2. Het laten draaien van de motor met onvoldoende, vervuilde of de onjuiste soort smeerolie;
3. Het gebruik van vervuilde of niet-verse brandstof, benzine verrijkt met meer dan 10% ethanol of het gebruik van alternatieve brandstoffen zoals vloeibare petroleum of aardgas bij motoren die oorspronkelijk niet zijn ontwikkeld/gefabriceerd door Briggs & Stratton om op dergelijke brandstoffen te draaien;
4. Vuil dat in de motor terecht is gekomen vanwege een onjuist onderhoud of een onjuiste hermontage van de luchtfilter;
5. Het raken van een object met een snijblad van een roterende grasmaaier, losjes of onjuist geïnstalleerde bladtussenstukken, waaiers of andere aan de krukas gekoppelde onderdelen, of excessieve strakheid van de v-snaar;
6. Bijbehorende onderdelen en eenheden zoals koppelingen, aandrijvingen en afstandsbedieningen van apparatuur die niet door Briggs & Stratton zijn geleverd;
7. Oververhitting als gevolg van grasmaaisel, vuil en rommel of nesten van knaagdieren die de koelvinnen of het vliegwielfgebied verstoppen of erin zitten, of door de motor te laten draaien zonder voldoende ventilatie;
8. Excessieve trillingen als gevolg van een te hoge snelheid, een te losjes gemonteerde motor, losse of niet-uitgebalanceerde snijbladen of waaiers of onjuiste koppeling van onderdelen van de apparatuur aan de krukas;
9. Verkeerd gebruik, gebrek aan routineonderhoud, verzending, omgang met of opslag van apparatuur, of onjuiste installatie van de motor.

De garantieservice is uitsluitend beschikbaar via erkende servicedealers van Briggs & Stratton. U vindt uw dichtstbijzijnde erkende servicedealer in onze "dealerlocatie"-kaart op BRIGGSandSTRATTON.COM of door te bellen naar 1-800-444-7774 (in de USA).

80114782 (Revisie B)

## **Briggs & Stratton Emissions Warranty**

### **Manufacturer's Warranty Coverage:**

The exhaust emissions control system on your engine is warranted for two years. If any emissions-related part on your engine is defective, the part will be repaired or replaced by B&S.

### **Owner's Warranty Responsibilities:**

- As the engine owner, you are responsible for the performance of the required maintenance listed in your owner's manual. B&S recommends that you retain all receipts covering maintenance on your engine, but B&S cannot deny warranty coverage solely for the lack of receipts or for your failure to ensure the performance of all scheduled maintenance.

- As the engine owner, you should however be aware that B&S may deny you warranty coverage if your engine or a part has failed due to abuse, neglect, or improper maintenance or unapproved modifications.
- You are responsible for presenting your engine to a B&S distribution center or service center as soon as the problem exists. The warranty repairs shall be completed in a reasonable amount of time, not to exceed 30 days. If you have a question regarding your warranty rights and responsibilities, you should contact B&S at 1-800-444-7774 (in USA) or BRIGGSandSTRATTON.COM.

80130178 Revision A



## Generell informasjon



Denne manualen inneholder sikkerhetsinformasjon om farene og risikoene relatert til motoren og hvordan de kan forebygges. Den inneholder også anvisninger for korrekt drift og vedlikehold av maskinen. Det er viktig at du leser, forstår og følger disse instruksene. **Ta vare denne brukerveiledningen for fremtidig bruk.**

**MERK:** Tallene og illustrasjonene i denne håndboken er kun oppgitt som referanse og kan avvike fra din modell. Bruk de figurene som passer for din motorkonfigurering. Om nødvendig, snakk med en autorisert serviceforhandler.

For reservedeler eller teknisk assistanse, noter kjøpsdato, motorens modell, type, trim og serienummer. Du finner disse numrene på motoren. Se avsnittet **Funksjoner og kontroller**.

Kjøpsdato	
Modell - Type - Trim	
Motorens serienummer	

## Kontaktinformasjon for Europa-kontoret

For spørsmål vedrørende utslipp i Europa, kontakter du vårt Europa-kontor på:


Max-Born-Straße 2, 68519 Viernheim, Tyskland.

## Den europeiske union (EU) stadium V (5): Karbondioksidverdier (CO2)

Skriv CO2 i søkefeltet i BriggsandStratton.com for å finne karbondioksidverdiene i Briggs & Strattons motorer med sertifikat for EU-typegodkjenning.

## Operatørens sikkerhet

### Advarselssymbol og signalord

Symbolet for sikkerhetsadvarsel  identifiserer sikkerhetsinformasjon angående farer som kan medføre personskade. Et signalord (**DANGER, ADVARSEL** eller **FORSIKTIG**) brukes for å indikere sannsynligheten for og den potensielle alvorlighetsgraden ved skade. Dessuten vil brukes et faresymbol for å representere hvilken type fare det er snakk om.

**DANGER** (fare) indikerer en fare som, dersom den ikke unngås, vil føre til død eller alvorlig skade.

**ADVARSEL** indikerer en fare som, dersom den ikke unngås, kan det føre til død eller alvorlig skade.

**FORSIKTIG** indikerer en fare som, dersom den ikke unngås, kan det føre til en mindre eller moderat skade.

**OBS** indikerer informasjon som anses som viktig, men ikke farerelatert.

## Faresymboler og betydningen av disse

 Informasjon om sikkerhet som gjelder farer som vil kunne føre til personskader.	 Les og forstå brukerhåndboken før du bruker eller vedlikeholder enheten.
 Brannfare	 Eksplosjonsfare
 Fare for støt	 Fare for giftig gass
 Fare for varme overflater	 Fare for rekyl (tilbakeslag)
 Fare for amputasjon – bevegelige deler	 Drivstoffnivå – maksimum Ikke overfyll



## Sikkerhetsmeldinger



### ADVARSEL

Briggs & Stratton® motorene er ikke konstruert til å drive følgende kjøretøy og må heller ikke brukes til disse: rallykarter, gokarter, lekekjøretøy for barn, fritidskjøretøy eller terrengkjøretøy (ATV), motorsykler, hoverbåter, flyprodukter eller kjøretøy som brukes i konkurranser som ikke er godkjent av Briggs & Stratton. For informasjon om produkter til konkurransekjøring, se [www.briggsracing.com](http://www.briggsracing.com). For bruk på nyttekjøretøy og ATV-er med to seter ved siden av hverandre (side-by-side), vennligst ta kontakt med Briggs & Stratton Power Application Center, 1-866-927-3349. Feil bruk av motoren kan forårsake alvorlige skader eller død.

## Opplysninger om gjenvinning

		Kartonger, esker, brukte batterier og olje skal resirkuleres i henhold til nasjonale lover.
---	--	---

## Funksjoner og kontroller









### Motorkontroller

Sammenlign callout-bokstavene i figurene 1, 2 og 3 med motorkontrollene i den følgende listen:

- Motoridentifikasjonsnumre **Modell – Type – Kode**
- Tenn plugg
- Drivstofftank og -lokk
- Luffilter
- Startsnor-håndtak
- Oljepeilestav
- Oljepåfylling
- Tappeplugg for olje
- Lyddemper, lyddempervern (hvis montert), gnistfanger (hvis montert)
- Gasspedalkontroll/drivstoffventil/TransportGuard®
- Choke -kontroll
- Inntaksgitter for luft
- Elektrisk startbryter (hvis montert)
- Girreduksjonsenhet (hvis montert)

Noen motorer og noe utstyr har fjernkontroller. Se håndboken som tilhører maskinen for plassering og bruk av fjernkontroller.

## Symboler for motorkontroller og deres betydning

 Motorhastighet – HURTIG	 Motorhastighet – SAKTE
 Motorhastighet – STOPP	 PÅ - AV
 Start motoren Choke STENGT	 Start motoren Choke ÅPEN
 Lokk til drivstofftank Drivstoffsperr STENGT	 Drivstoffsperr STENGT

## Montering

### Gasskontrollkonvertering

Standardmotoren har manuell gasskontroll. For å drive den manuelle gasspedalkontrollen, monter en gasspedalfjernkontroll eller konverter til en fast hastighet. Se instruksene som følger.

**MERK:** Motorhastigheten må være korrekt som spesifisert av maskinproduzentens spesifikasjoner. Ta kontakt med et Briggs & Stratton- autorisert forhandlerverksted for bistand.

## Manuell gasskontroll

1. Flytt gasspedalkontroll/TransportGuard®-spaken (A, figur 4) til AV-stillingen.
2. Fjern fjæren (S, figur 4).

## Fjernkontroll av gassen med flettet ledning

En gasspedalfjernkontroll med en flettet kabel kan installeres i én av to retninger; i retning mot sylindertoppen eller i retning mot fronten.

### Retning mot sylindertopp

1. Flytt gasspedalkontroll/TransportGuard™-spaken (A, Figur 5) til AV-stillingen.
2. Bruk en skiftenøkkel på 10 mm til å løsne mutteren (P, figur 5) en halv omdreining på gasspedalkontroll/TransportGuard®-spaken (A).
3. Hold kabelmonteringsmutteren (J, figur 6) med en skiftenøkkel på 10 mm, og løsne skruen (K).
4. Monter kabelledningen (L, figur 6) gjennom hullet i kabelmonteringsmutteren (J) og stram skruen (K). Pass på at kabelledningen (L) ikke stikker ut mer enn 0,5 tommer (12,7 mm) fra hullet.
5. Løsne skruen (I, figur 6). Fest kabelhylsen (N) under kabelklemmen (M) og stram skruen (I).
6. Sjekk driften av gasspedalfjernkontrollen. Flytt gasspedalfjernkontrollen fra langsom til rask 2-3 ganger. Pass på at gasspedalfjernkontrollen og kabelledningen (L, figur 6) beveger seg fritt. Juster mutteren (P, figur 7) som nødvendig for den spesifiserte stillingen.

### Retning fremover

1. Juster gasspedalkontrollen / TransportGuard™ :
  - a. **For motormodeller 10V000 og 12V000:** Flytt gasspedalkontroll/TransportGuard®-spaken (A, figur 8) til HURTIG-stillingen.
  - b. **For motormodeller 25V000:** Flytt gasspedalkontrollen / TransportGuard™ -spaken (A, figur 8) til posisjonen AV.
2. Bruk en skiftenøkkel på 10 mm og løsne mutteren (P, figur 7) en halv omdreining på gasspedalkontroll/TransportGuard®-spaken (A).
3. Hold kabelmonteringsmutteren (J, figur 8) med en skiftenøkkel på 10 mm, og løsne skruen.
4. Monter kabelledningen (L, figur 8) gjennom hullet i kabelmonteringsmutteren (J) og stram skruen (K). Pass på at kabelledningen (L) ikke stikker ut mer enn 0,5 tommer (12,7 mm) fra hullet.
5. Løsne skruen (I, figur 8). Fest kabelhylsen (N) under kabelklemmen (M) og stram skruen (I).
6. Sjekk driften av gasspedalfjernkontrollen. Flytt gasspedalfjernkontrollen fra langsom til rask 2-3 ganger. Pass på at gasspedalfjernkontrollen og kabelen (L, 8) beveger seg fritt. Juster mutteren (P, figur 7) etter som det er nødvendig for den spesifiserte stillingen.

## Fjernkontroll med solid lederkabel

En gasspedalfjernkontroll med en fast ledningkabel kan monteres i én av fire retninger; i retning mot sylindertoppen, i retning mot fronten, mot venstre eller i retning mot høyre.

### Retning mot sylindertopp

1. Flytt gasspedalkontroll/TransportGuard®-spaken (A, figur 9) til AV-stillingen.
2. Fjern fjæren (S, figur 9).
3. Flytt gasspedalkontroll/TransportGuard®-spaken (A, figur 9) til HURTIG-stillingen.
4. Bruk en skiftenøkkel på 10 mm til å løsne mutteren (P, figur 4) en halv omdreining på gasspedalkontroll/TransportGuard®-spaken (A).
5. Monter Z-armaturen til den faste ledningkabelen (Q, figur 9) til ett av de små hullene i vinkelarmen (R).
6. Løsne skruen (I, figur 9). Fest kabelhylsen (N) under kabelklemmen (M) og stram skruen (I).
7. Sjekk driften av gasspedalfjernkontrollen. Flytt gasspedalfjernkontrollen fra langsom til hurtig 2-3 ganger. Pass på at gasspedalfjernkontrollen og kabelledningen (L, figur 9) beveger seg fritt. Juster mutteren (P, figur 4) som nødvendig for den spesifiserte stillingen.

### Retning fremover

1. Flytt gasspedalkontroll/TransportGuard®-spaken (A, figur 10) til AV-stillingen.
2. Fjern fjæren (S, figur 10).
3. Flytt gasspedalkontroll/TransportGuard®-spaken (A, figur 10) til HURTIG-stillingen.

4. Bruk en skiftenøkkel på 10 mm og løsne mutteren (P, figur 4) en halv omdreining på gasspedalkontroll/TransportGuard®-spaken (A).
5. Monter Z-armaturen til den faste ledningkabelen (Q, figur 10) til ett av de to små hullene i vinkelarmen (R).
6. Løsne skruen (I, figur 10). Fest kabelhylsen (N) under kabelklemmen (M) og stram skruen (I).
7. Sjekk driften av gasspedalfjernkontrollen. Flytt gasspedalfjernkontrollen fra langsom til rask 2-3 ganger. Pass på at gasspedalfjernkontrollen og kabelen (L, figur 10) beveger seg fritt. Juster mutteren (P, figur 4) etter som det er nødvendig for den spesifiserte stillingen.

### Retning mot venstre

1. Flytt gasspedalkontroll/TransportGuard®-spaken (A, figur 11) til AV-stillingen.
2. Fjern fjæren (S, figur 4).
3. Flytt gasspedalkontroll/TransportGuard®-spaken (A, figur 11) til HURTIG-stillingen.
4. Bruk en skiftenøkkel på 10 mm til å løsne mutteren (P, figur 4) en halv omdreining på gasspedalkontroll/TransportGuard®-spaken (A, Figur 11).
5. Fjern gasspedalkontrollbryteren (W, figur 11) for å avdekke det lille hullet (S).
6. Monter Z-armaturen til den faste kabelledningen (L, figur 11) til det lille hullet (S) i gasspedalkontrollspaken (A).
7. Løsne skruen (I, figur 11). Fest kabelhylsen (N) under kabelklemmen (M) og stram skruen (I).
8. Sjekk driften av gasspedalfjernkontrollen. Flytt gasspedalfjernkontrollen fra langsom til rask 2-3 ganger. Pass på at gasspedalfjernkontrollen og kabelen (L, figur 11) beveger seg fritt. Juster mutteren (P, figur 4) etter som det er nødvendig for den spesifiserte stillingen.

### Retning mot høyre

For å installere en gasspedalfjernkontroll fra den høyre retningen, kreves en kabelmonteringsknekt (U, figur 12). Se avsnittet **Spesifikasjoner og reservedeler** for delenummeret. For å kjøpe en kabelmonteringsknekt, kontakt et Briggs & Stratton- autorisert forhandlerverksted.

1. Flytt gasspedalkontroll/TransportGuard®-spaken (A, figur 12) til AV-stillingen.
2. Fjern fjæren (S, figur 4).
3. Fjern gasspedalkontrollbryteren (W, figur 12) for å avdekke det lille hullet (S).
4. Flytt gasspedalkontroll/TransportGuard®-spaken (A, figur 12) til HURTIG-stillingen.
5. Bruk en skiftenøkkel på 10 mm til å løsne mutteren (P, figur 4) en halv omdreining på gasspedalkontroll/TransportGuard®-spaken (A, 12).
6. Monter Z-armaturen til den faste kabelledningen (L, figur 12) til det lille hullet (S) i gasspedalkontrollspaken (A).
7. Fjern bolten (T, figur 12). Monter kabelmonteringsknekten (U) som vist. Fest kabelmonteringsknekten (U) med mutteren (T). Stram mutteren (T) til 30 lbs-in (3,4 Nm). Se avsnittet **Spesifikasjoner og reservedeler**.
8. Løsne skruen (I, figur 12). Fest kabelhylsen (N) under kabelklemmen (M) og stram skruen (I).
9. Undersøk driften av gasspedalfjernkontrollen. Flytt gasspedalfjernkontrollen fra langsom til rask 2-3 ganger. Pass på at gasspedalfjernkontrollen og kabelen (L, figur 12) beveger seg fritt. Juster mutteren (P, figur 4) etter som det er nødvendig for den spesifiserte stillingen.

### Fast motorhastighet (ingen gasskontrollkabel)

Når det konverteres til en **fast motorhastighet**, er det ingen gasspedalkontrollkabel montert og ingen hastighetsvalg. HURTIG er den eneste motorhastigheten.

1. Flytt gasspedalkontroll/TransportGuard®-spaken (A, figur 13) til AV-stillingen.
2. Fjern fjæren (S, figur 13).
3. Flytt gasspedalkontroll/TransportGuard®-spaken (A, figur 13) til HURTIG-stillingen.
4. Pass på at skruen (V, figur 13) er innrettet med hullet i knekten. Stram skruen (V) til 25 lbs-in (2,8 Nm).
5. Fjern kontrollenken (H, figur 13).

**MERK:** Gasspedalkontroll/TransportGuard®-spaken vil nå bare ha to stillinger: STOPP-/AV-stillingen og KJØR-stillingen.

6. Monter den nye PÅ/AV TransportGuard®-etiketten (O, figur 14) over den eksisterende fartskontrolletiketten som sitter på trimpanelet (F).

## Bruk



### ADVARSEL

Damp fra drivstoff er brann- og sprengfarlig. Brann eller eksplosjon kan medføre brannskader eller dødsfall.

#### Hvis du lukter gass

- Ikke start motoren.
- Ikke trykk på elektriske brytere.
- Ikke bruk telefoner i nærheten.
- Evakuer området.
- Kontakt brannvesenet.

#### Når du opererer utstyret

- Motoren eller utstyret må ikke plasseres i en vinkel som gjør at drivstoff kan renne ut.

#### Når du flytter utstyret til et annet sted

- Sørg for at drivstofftanken er TOM eller at drivstoffets stengeventil står i LUKKET posisjon.

## Sjekk oljenivået

### Før du sjekker eller fyller på olje

- Sørg for at motoren står vannrett.
- Tørk bort rusk fra påfyllingsområdet.
- Se avsnittet **Spesifikasjoner** for oljekapasitet.

### OBS

Denne motoren ble sendt fra Briggs & Stratton uten olje. Utstyrproduzentene eller forhandlerne kan ha fylt olje på motoren. Sørg for at det er fylt på tilstrekkelig olje før du starter motoren for første gang. Olje fylles på i henhold til håndbokens instruksjoner. Motoren ødelegges hvis den startes uten olje, og dekkes i så fall ikke garantien.

1. Fjern peilepinnen (A, figur 15) og rengjør med en klut.
2. Installer og stram peilepinnen (A, figur 15).
3. Ta ut peilepinnen og kontroller oljenivået. Forsikre deg om at oljenivået når øverst på full-indikatoren (B, figur 15) på peilepinnen.
4. Motoren har to oljepåfyllinger (C, G, figur 16). Hvis oljenivået er lavt, fyll langsomt olje i motoroljepåfyllingen (C, G). Tilfør ikke for mye olje. Etter at du har fylt på olje, vent ett minutt og sjekk oljenivået igjen. Kontroller oljenivået.
5. Installer og stram peilepinnen (A, figur 15).

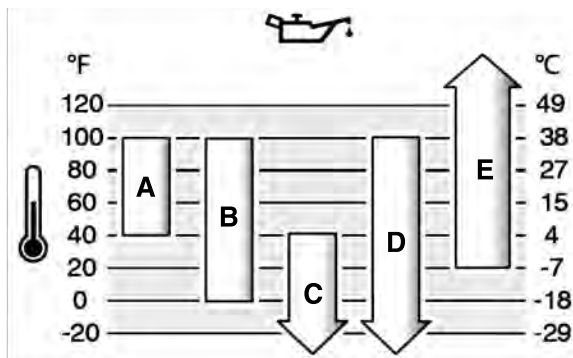
## Anbefalinger når det gjelder olje

**Oljekapasitet:** Se avsnittet **Spesifikasjoner**.

Vi anbefaler å bruke Briggs & Stratton® garantisertifiserte oljer for optimal ytelse. Andre høykvalitets renseoljer er tillatt hvis de er klassifisert for service – SF, SG, SH, SJ eller høyere. Ikke bruk spesielle tilsetningsstoffer.

Benytt tabellen for å velge optimal viskositet for den utendørstemperaturen som forventes. Motorer på de fleste utendørsutstyr opererer med 5W-30 syntetisk olje.

Vanguard® 15W-50 syntetisk olje gir den beste beskyttelsen for utstyr som brukes under varme forhold.



A	SAE 30 – Under 40 °F (4 °C) vil bruk av SAE 30 resultere i vanskelig start.
B	10W-30 – Over 80 °F (27 °C) vil bruk av 10W-30 kunne forårsake økt oljeforbruk. Sjekk oljenivået regelmessig.
C	5W-30
D	Syntetisk 5W-30
E	Vanguard® Syntetisk 15W-50

## Beskyttelsessystem for lav olje (hvis montert)

Noen motorer følger med en sensor som registrerer når oljenivået minsker. Hvis oljenivået er lavt, vil sensoren vise en varselampe eller stanse motoren. Stopp motoren og utfør følgende trinn før du starter motoren.

- Sørg for at motoren står vannrett.
- Sjekk oljen. Slå opp avsnittet **Sjekk oljenivået**.
- Hvis oljenivået er lavt, fyll på riktig mengde olje. Start motoren og sjekk at varselampen (hvis montert) ikke kommer på.
- Ikke start motoren hvis oljenivået er for lavt. Ta kontakt med en Briggs & Stratton- autorisert serviceforhandler for å få oljeproblemet reparert.

## Anbefalinger ang. drivstoff

### Drivstoff må oppfylle disse kravene:

- Ren, ny, blyfri bensin.
- Minimum 87 oktan/87 AKI (91 RON). Ang. bruk i store høyder, se nedenfor.
- Bensin med opptil 10 % etanol (gasohol) er tillatt.

### OBS

Bruk ikke bensin som ikke er godkjent, slik som E15 og E85. Ikke bland olje i bensinen eller foreta modifikasjoner i motoren til bruk av alternativt drivstoff. Bruk av ikke-godkjent drivstoff kan medføre skade på komponenter i motoren, noe som ikke vil bli dekket av garantien.

Bland en alkoholfri drivstoffstabilisator og etanolbehandling i drivstoffet for å beskytte drivstoffsystemet mot gummidannelse og korrosjon. Slå opp avsnittet **Oppbevaring**. Alt drivstoff er ikke det samme. Hvis start- eller ytelsesproblemer oppstår, bytt drivstoffleverandører eller merker. Denne motoren er sertifisert for bruk med bensin. Utslippskontrollsystemet for forgassede motorer er EM (modifiseringer av motoren). Utslippskontrollsystemene for motorer med elektronisk drivstoffinjeksjon er ECM (modul for motorkontroll), MFI (multiportinjeksjon for drivstoff), TBI («Throttle Body»-drivstoffinjeksjon) og hvis utstyrt, en O2S (oksygensensor).

### Stor høyde over havet

I høyder på over 5000 fot (1524 meter) er det tillatt å bruke minimum 85-oktans/85 AKI (89 RON) bensin.

For motorer med forgassere er justering for bruk i store høyder nødvendig for å kunne utføre vedlikehold. Drift uten denne justeringen vil føre til redusert ytelse, økt drivstofforbruk og økte utslipp. Ta kontakt med et Briggs & Stratton- autorisert forhandlerverksted for informasjon vedr. justering for bruk i store høyder. Bruk av motoren på høyder under 2500 fot (762 meter) med settet for store høyder er ikke anbefalt.

Det er ikke nødvendig å justere motorer med elektronisk drivstoffinjeksjon (EFI) for bruk i store høyder over havet.

## Tilfør drivstoff



### ADVARSEL

Drivstoff og drivstoffdamp er antennelig og sprengfarlig. Brann eller eksplosjon kan medføre brannskader eller dødsfall.

#### Når du tilsetter drivstoff

- Stoppe motoren. Vent minst to (2) minutter og sørg for at motoren er kald før du løsner bensinlokket.
  - Drivstofftanken må fylles utendørs eller på en plass med god ventilasjon.
  - Drivstofftanken må ikke overfylles. For å gi drivstoff ekspansjonsrom, ikke fyll på mer enn til nederst i drivstofftankhalsen.
  - Hold drivstoff unna gnister, åpne flammer, tennflammer, varme og andre tennkilder.
  - Drivstoffslanger, drivstofftanken, bensinlokket og koblinger skal kontrolleres regelmessig for å se om det har kommet sprekker eller lekkasjer. Bytt skadede deler.
  - Hvis du har sølt drivstoff, må du vente til tørker før du starter opp motoren.
1. Rengjør flatene omkring tanklokket for smuss og rusk. Ta av drivstofflokket
  2. Fyll drivstofftanken (A, Figur 17) med drivstoff. Gi drivstoffet plass til å utvide seg og ikke fyll til over bunnen av drivstofftankhalsen (B).
  3. Sett på bensinlokket.

## Start motoren



### ADVARSEL

**FARE FOR GIFTIG GASS.** Eksosen fra motoren inneholder karbonmonoksid (kullos), en giftig gass som kan ta livet av deg i løpet av få minutter. Du kan utsettes for farlig karbonmonoksidgass selv når du ikke lukter det. Trekk frisk luft UMIDDELBART dersom du føler deg kvalm, svimmel eller svak mens du bruker dette produktet. Oppsøk lege. Det er mulig du er forgiftet av karbonmonoksid (kullos).

- Karbonmonoksidgass kan hope opp på bebodde steder. Produktet må brukes utendørs, og langt unna vinduer, dører og ventilert for å redusere risiko forbundet med karbonmonoksidgass.
- Monter batteridrevne karbonmonoksid-alarmer eller kompatible («plug-in») karbonmonoksid-alarmer med reservebatteri, som beskrevet under produsentens instruksjoner. Røykvarslere registrerer ikke karbonmonoksid gass.
- IKKE kjør dette produktet inne i hus, garasjer, kjellere, bodar, eller andre lukkede rom, selv om du bruker vifter eller åpner dører og vinduer for å ventilere. Produktets drift produserer karbonmonoksidgass som raskt kan hope seg opp på slike steder hvor den varer i flere timer.
- Produktet må ALLTID settes slik at det står i medvind og sørg for at eksosen ledes bort fra bebodde områder.



### ADVARSEL

**Drivstoff og drivstoffdamp er antennelig og sprengfarlig. Brann eller eksplosjon kan medføre brannskader eller dødsfall.**

#### Når du starter motoren

- Kontroller at tennpluggen, lydputten, lokket til drivstofftanken og luftfilteret (hvis utstyrt) er montert riktig.
- Ikke forsøk å starte motoren med fjernet tennplugg.
- Flytt choken (hvis montert) mot posisjonen ÅPEN eller KJØR hvis motoren har druknet. Flytt gasshendelen (hvis montert) til posisjon HURTIG og dra til motoren starter.
- Ikke start motoren dersom det lekker natur- eller LP-gass i området.
- Bruk ikke startvæsker under trykk, da dampen er antennelig.



### ADVARSEL

**Roterende deler kan vikle seg rundt hender, føtter, hår, klær, smykker, belter osv. Dette kan resultere i traumatisk amputasjon eller lignende.**

- Kjør utstyret med vernet hensiktsmessig montert.
- Hold hender og føtter borte fra roterende deler.
- Fjern smykker og sørg for at langt hår ikke kan komme i kontakt med roterende deler.
- Ikke gå med løstsittende klær eller artikler som kan hekte seg fast.



### ADVARSEL

**Hurtig tilbakespoling av startsnoren (tilbakeslag) trekker hånden og armen raskere mot motoren enn du klarer å slippe taket. Dette kan resultere i beinbrudd, brister, blåmerker eller forstuvninger.**

- For å hindre tilbakeslag når du starter motoren, trekk startsnoren sakte til du begynner å kjenne motstand før du trekker raskt.
- Koble fra og fjern alt påmontert utstyr og motorbelastning før motoren startes.
- Sørg for at maskinkomponenter som er montert direkte – slik som, men ikke begrenset til, kniver, viftehjul, remskiver og kjedehjul – er festet riktig.

**MERK:** Utstyret kan følge med fjernkontroller. Slå opp maskinens håndbok for plassering og bruk av fjernkontroller.

1. Sjekk motoroljen. Se avsnittet **Sjekk oljenivået**.
2. Sørg for at maskinens drivkontroller, hvis utstyrt, er koblet ut.
3. Flytt gasskontrollspaken/TransportGuard® (A, figur 18), hvis montert, til HURTIG- eller KJØR-stillingen.
4. Flytt choke-kontrollen (E, Figur 18) til STENGT-stillingen.

Choken er vanligvis ikke nødvendig når du starter en varm motor.

5. **Snorstart, hvis montert:** Ta godt tak i håndtaket på startsnoren (C, figur 18). Trekk håndtaket på startsnoren sakte ut til du begynner å kjenne motstand, og trekk deretter raskt.



### ADVARSEL

**Hurtig tilbakespoling av startsnoren (tilbakeslag) trekker hånden og armen raskere mot motoren enn du klarer å slippe taket. Dette kan resultere i beinbrudd, brister, blåmerker eller forstuvninger.**

- For å hindre tilbakeslag når du starter motoren, trekk startsnoren sakte til du begynner å kjenne motstand før du trekker raskt.
- Koble fra og fjern alt påmontert utstyr og motorbelastning før motoren startes.
- Sørg for at maskinkomponenter som er montert direkte – slik som, men ikke begrenset til, kniver, viftehjul, remskiver og kjedehjul – er festet riktig.

6. **Elektrisk start, hvis montert:** Vri den elektriske startbryteren (D, figur 18) i START-stillingen.

### OSB

For å forlenge starterens levetid, bruk korte startsykluser (fem sekunder er maksimum). Vent ett minutt mellom startsyklusene.

7. Flytt choken (B, figur 18) til ÅPEN-stillingen ettersom motoren varmes opp.

Hvis ikke motoren starter etter 2 eller 3 ganger, kontakt din lokale forhandler eller gå til [vanguardpower.com](http://vanguardpower.com) eller ring 1-800-999-9333 (i USA).

## Stopp motoren



### ADVARSEL

**Drivstoff og drivstoffdamp er antennelig og sprengfarlig. Brann eller eksplosjon kan medføre brannskader eller dødsfall.**

- Motoren må ikke stanses ved å kvele forgasseren (hvis dette er montert).

**Gasspedalkontroll/TransportGuard®:** Flytt gasspedalkontrollen/TransportGuard® (A, figur 19) til AV- eller STOPP-stillingen.

**MERK:** Når gasspedalkontrollen/TransportGuard® (A, figur 19) er i AV- eller STOPP-stillingen, er drivstoffventilen i AV-stillingen. Sett alltid gasspedalkontrollen/TransportGuard® i AV- eller STOPP-stillingen når utstyret transporteres.

**MERK:** Nøkkelen (D, figur 19) stopper ikke motoren. Nøkkelen starter KUN motoren. Fjern alltid nøkkelen (D) og oppbevar den på et trygt sted utilgjengelig for barn.

## Vedlikehold

### Vedlikeholdsinformasjon



### ADVARSEL

**Drivstoff og drivstoffdamp er antennelig og sprengfarlig. Brann eller eksplosjon kan medføre brannskader eller dødsfall.**

Hvis du må vippe apparatet under vedlikeholdsarbeid, sørg for at drivstofftanken (hvis montert) er tom og at tennpluggsiden er vendt opp. Det kan oppstå lekkasje som kan forårsake brann eller eksplosjon hvis ikke drivstofftanken er tom. Motoren vil ikke være lett å starte hvis den vippes i en annen retning, fordi luftfilteret eller tennpluggen blir kontaminert av olje eller drivstoff.



### ADVARSEL

**Uheldige/utslisiktede gnister fra motoren kan forårsake elektriske støt eller brann, samt innfiltrering, traumatisk amputasjon eller sønderriving.**

#### Før du justerer eller reparerer:

- Ta av tennpluggkablene og hold dem borte fra tennpluggene.
- Koble batteriledningen fra den negative batteriterminalen (kun motorer med elektrisk start).
- Bruk kun riktige verktøy.

#### Når du skal kontrollere gnist:

- Bruk en godkjent tennpluggtester.
- Ikke se etter gnist med tennpluggen fjernet.



## ADVARSEL

Alle komponentene brukt til å sette sammen denne motoren må forbli i sin opprinnelige posisjon for korrekt drift. Skade eller personskaade kan inntreffe dersom du bruker feilaktige deler eller dersom du ikke erstatter alle delene på motoren.

- Reservedeler må alltid være av samme design og monteres i samme posisjon som originaldelene.
- Dersom den er installert, ikke bytt regulatorfjæren, koblinger eller andre deler for å øke motorhastigheten.

## OBS

Alle komponenter som er brukt i denne motoren må være montert for at den skal fungere riktig.

Vi anbefaler at du tar kontakt med en Briggs & Stratton- autorisert serviceforhandler for å få utført alt vedlikeholdsarbeid og service av motoren og motordelene.

## Utslippskontrollservice

For vedlikehold, utskifting eller reparasjon av utslippskontrollenheter og -systemer, ta kontakt med et kvalifisert motorreparasjonsfirma eller mekaniker. Men for «gratis» utslippskontroll-service, må arbeidet utføres av en fabrikkautorisert forhandler. Slå opp erklæringene som gjelder avgasskontroll.

## Vedlikeholdsplan

De første 5 timene
<ul style="list-style-type: none"> <li>• Skifte oljen.</li> </ul>
Intervaller på 8 timer eller daglig
<ul style="list-style-type: none"> <li>• Sjekk oljenivået i motoren.</li> <li>• Rengjør området rundt lydempere og kontrollene.</li> <li>• Rengjør luftinntaksgitteret</li> </ul>
Intervaller på 100 timer eller årlig
<ul style="list-style-type: none"> <li>• Service av eksossystemet.</li> <li>• Skift olje i reduksjonsenhet (hvis montert).</li> </ul>
Intervaller på 200 timer eller årlig
<ul style="list-style-type: none"> <li>• Skift motoroljen.</li> <li>• Rengjør luftfilteret<sup>1</sup>.</li> </ul>
Intervaller på 600 timer eller 3 år
<ul style="list-style-type: none"> <li>• Skift luftfilteret.</li> </ul>
årlig
<ul style="list-style-type: none"> <li>• Skift ut tennpluggen.</li> <li>• Utfør vedlikehold på drivstoffsystemet.</li> <li>• Utfør vedlikehold på kjølesystemet<sup>1</sup>.</li> <li>• Kontroller ventilklareringen<sup>2</sup>.</li> </ul>

<sup>1</sup>Rengjør oftere i støvete forhold eller når det er mange partikler i luften.

<sup>2</sup> Ikke nødvendig med mindre det oppstår motorproblemer.

## Forgasser og motorhastighet

Ikke juster forgasseren, forbindelsesledd eller andre deler for å justere motorhastigheten. Hvis det er nødvendig å foreta justeringer, ta kontakt med en Briggs & Stratton- autorisert serviceforhandler for service.

## OBS

Maskinprodusenten spesifiserer maksimal hastighet for motoren som er montert på maskinen. Ikke overgå denne hastigheten. Hvis du ikke er sikker på hva den maksimale hastigheten til maskinen er, eller hva slags motorhastighet som ble innstilt på fabrikken, ta kontakt med et autorisert Briggs & Stratton forhandlerverksted for å få hjelp. For at maskinen skal fungere trygt og riktig, må motorhastigheten kun justeres av en kvalifisert mekaniker.

## Service av tennplugg

Sjekk tennpluggavstanden (A, figur 20) med en trådmåler (B). Juster tennpluggavstanden hvis det er nødvendig. Installer og stram tennpluggen til det riktige dreiemomentet. Referer til seksjonen **Spesifikasjoner** for informasjon om avstand- og dreiemoment-spesifikasjoner.

## Service av eksos- og kjølesystemene



## ADVARSEL

Motoren og lydputten hetes opp under drift. Berøring av oppvarmet motor kan forårsake brannskader.

### Letantennelige materialer som blader, gress og kratt kan ta fyr.

- Stans motoren og vent to (2) minutter før du rører motoren eller eksospotten. Sørg for at motoren og eksospotten trygt kan berøres.
- Fjern smuss fra eksospotten og motoren.

Det er et brudd på California Public Resource Code, § 4442, å bruke eller ha motoren i gang på et skogkledd, kratt-dekket, eller gresskledd stykke land med mindre eksossystemet er utstyrt med en gnistfanger som er holdt i fullgod stand, slik som definert i § 4442. Andre delstater eller føderale jurisdiksjoner kan ha tilsvarende lover. Se Federal Regulation 36 CFR del 261.52. Kontakte den opprinnelige utstyrsprodusenten, detaljisten eller forhandleren for å få en gnistfanger satt på det eksosanlegget som er installert på denne motoren.

Dette er en luftkjølt motor. Skitt eller uønskede materialer kan hindre luftflyt og få motoren til å bli for varm. Dette kan gi lavere ytelse og forkorte levetiden til motoren. Sylindrens kjølefinner kan samle uønsket materiale som ikke kan fjernes uten delvis demontering av maskinen. Pass på at en autorisert serviceforhandler for Briggs & Stratton undersøker og renser luftkjølesystemet. Se **Vedlikeholdslisten**.

1. Pass på at ingen brennbare materialer befinner seg ved og under lydempere.
2. Bruk en børste eller tørr klut til å fjerne alt uønsket materiale fra blåserhusets deksel, eksosen og sylindrområdet. IKKE bruk vann til å rengjøre motoren.
3. Pass på at tilkoblingen, fjærer og kontrollere er rene.
4. Inspiser lydempere for sprekker, korrosjon eller andre skader.
5. Fjern ledeplaten eller gnistfangeren, hvis installert, og se etter skader eller sotbelegg. Pass på at du rengjør eller installerer erstatningsdelene før du bruker utstyret.
6. Sørg for at ribbene på oljekjøleren er rene (hvis dette er montert).

## Skift motorolje



## ADVARSEL

Drivstoff og drivstoffdamp er antennelig og sprengfarlig. Brann eller eksplosjon kan medføre brannskader eller dødsfall.

Motoren og lydputten hetes opp under drift. Berøring av oppvarmet motor kan forårsake brannskader.

- Hvis du taper av olje fra toppen av oljepåfyllingsrøret, må drivstofftanken være tom. Drivstoff kan lekke og forårsake brann eller eksplosjon hvis ikke den er tom.
- Stans motoren og vent to (2) minutter før du rører motoren eller eksospotten. Sørg for at motoren og eksospotten trygt kan berøres.

Brukt olje er et farlig avfallsprodukt som må kasseres hensiktsmessig. Må ikke kastes sammen med husholdningsavfall. Ta kontakt med lokale myndigheter, et servicesenter eller en forhandler ang. anlegg for trygg deponering eller resirkulering.

For **Just Check & Add™**-modeller, er et oljeskift ikke nødvendig. Hvis et oljeskift er nødvendig, referer til prosedyren som følger.

## Tømming av olje

1. Med motoren av, men varm, koble fra tennpluggledningene (D, Figur 21) og hold dem borte fra tennplugg(e) (E).
2. Fjern peilepinnen (A, figur 22).
3. Motoren har to oljedreneringspluggene (H, F, figur 23). Fjern oljedreneringspluggene (H, F). Tapp av oljen på en godkjent beholder.
4. Installer og stram til oljetappingspluggene (H, F, Figur 23).

## Påfylling av olje

- Sørg for at motoren står vannrett.
- Rengjør uønsket materiale fra oljefylleområdet.
- Slå opp avsnittet **Spesifikasjoner** for informasjon om oljekapasitet.

1. Ta ut peilepinnen. Slå opp avsnittet **Tømme olje**.
2. Tilfør olje sakte i motoroljepåfyllingen (C, G, Figur 24). Tilfør ikke for mye olje.
3. Vent ett minutt før du sjekker oljenivået.
4. Sett inn peilestaven.
5. Ta ut peilepinnen og kontroller oljenivået. Riktig oljenivå vises øverst på «full»-indikatoren på peilepinnen. Referer til avsnittet **Sjekk oljenivået**.
6. Installer og stram peilepinnen igjen.
7. Tilkoble tennpluggledningen(e) til tennplugg(e). Se avsnittet **Fjerne olje**.

## Skift olje i girreduksjonen

Noen motorer er utstyrt med en girreduksjonsenhet. Hvis utstyrt, referer til trinnene for én av girreduksjonsenhetene som følger.

### 2:1 Kjedereduksjonsenhet

Hvis motoren er installert med en 2:1 kjedereduksjonsenhet (G, Figur 25), er et oljeskift ikke nødvendig. Oljen i motoren smører også kjedereduksjonsenheten.

### 2:1 Våtkobling-reduksjonsenhet

Hvis motoren er utstyrt med en 2:1 girreduksjonsenhet, følg trinnene som følger:

1. Fjern peilepinnen (A, figur 26).
2. Fjern oljedreneringspluggen (B, figur 26) og tøm oljen i en godkjent beholder.
3. Sett inn og stram til oljedreneringspluggen (B, figur 26).
4. Tilsatt langsomt oljen i motoroljefyllingen (C, figur 26). Se avsnittet **Spesifikasjoner**.
5. Installer peilepinnen (A, Figur 26).
6. Ta ut peilepinnen ut (A, figur 26) og sjekk oljenivået. Det riktige oljenivået er øverst på full-indikatoren (D) på peilepinnen.
7. Installer peilepinnen (A, Figur 26).

### 6:1 Reduksjonsgirenhet

Hvis motoren din er utstyrt med en 6:1 girreduksjonsenhet, følg trinnene som følger:

1. Fjern oljefyllingspluggen (A, Figur 27) og oljenivåpluggen (B).
2. Fjern oljetappepluggen (C, Figur 27) og tøm oljen i en godkjent beholder.
3. Installer og stram til oljedreneringspluggen (C, figur 27).
4. Fyll sakte på girreduksjonsolje (80W-90) i oljefyllingshullet (D, Figur 27). Fortsett å fylle på girreduksjonsoljen (80W-90) til oljen kommer ut av oljenivåhullet (E).
5. Installer og stram oljenivåpluggen (B, figur 27).
6. Installer og stram oljefyllingspluggen (A, figur 27).

**MERK:** Oljefyllingspluggen (A, Figur 27) har et ventilasjonshull (F) og må installeres på toppen av girkasdekslet slik som vist.

## Service av luftfilter

### ADVARSEL

**Damp fra drivstoff er brann- og sprengfarlig. Brann eller eksplosjon kan medføre brannskader eller dødsfall.**

- Motoren må ikke startes og kjøres hvis luftfilterenheten (hvis montert) eller luftfilteret (hvis montert) er tatt av.

### OBS

Ikke bruk trykkluft eller løsemidler til å rengjøre filteret. Trykkluft kan medføre skader på filteret og løsemidler vil løse opp filteret.

Se **Vedlikeholdsplanen** for informasjon om servicekrav.

Modellene bruker enten skum- eller papirfilter. Enkelte modeller kan også ha et valgfritt forfilter som kan vaskes og brukes om igjen. Sammenligne illustrasjonene i denne håndboken med typen som er montert på din motor og utfør vedlikeholdet i henhold til dette.

### Luftfilter, papir

1. Løsne festet(ene) (C, figur 28).
2. Fjern dekslet (A, Figur 28) og filteret (B).
3. Bank filteret (B, figur 28) forsiktig mot en hard overflate for å løsne rusk. Dersom filteret er skittent, skift det ut med et nytt filter.
4. Installer filteret (B, figur 28).
5. Installer dekslet (A, figur 28) med festet(ene) (C). Sørg for at festet(ene) sitter stramt.

### Papirluftfilter – lav profil

1. Skyv låsen (A, figur 29) for å låse opp dekselet (C).
2. Skyv tappene innover (B, figur 29) og fjern dekselet (C).
3. Fjern filteret (D, figur 29).
4. Bank filteret (D, figur 29) forsiktig mot en hard overflate for å løsne rusk. Dersom filteret er skittent, skift det ut med et nytt filter.
5. Sett inn filteret (D, figur 29).
6. Monter dekselet (C, figur 29). Skyv låsen (A) til låseposisjon.

**MERK:** Sjekk tilpasningen til skumforseglingen (E, figur 29). Pass på at perimeterskumforseglingen er riktig plassert i kanalen (F).

## Vedlikehold av drivstoffsystemet

### ADVARSEL

**Drivstoff og drivstoffdamp er antennelig og sprengfarlig. Brann eller eksplosjon kan medføre brannskader eller dødsfall.**

- Hold drivstoff unna gnister, åpne flammer, tennflammer, varme og andre tennkilder.
- Drivstoffslanger, drivstofftanken, bensinlokket og koblinger skal kontrolleres regelmessig for å se om det har kommet sprekker eller lekkasjer. Bytt skadede deler.
- Hvis du har sølt drivstoff, må du vente til tørker før du starter opp motoren.

### Drivstoffsil, hvis montert

1. Fjern drivstofflokket (A, Figur 30).
2. Fjern drivstoffsil (B, figur 30).
3. Hvis drivstoffsil er skitten, må den renses eller skiftes ut. Hvis drivstoffsil skiftes ut, må du passe på at den nye silen er en original reservedel.

## Oppbevaring Drivstoffsystemet

Se figur 31.

### ADVARSEL

**Drivstoff og drivstoffdamp er antennelig og sprengfarlig. Brann eller eksplosjon kan medføre brannskader eller dødsfall.**

### Oppbevaring av drivstoff

- Da spareblusser eller andre tennkilder kan forårsake eksplosjoner, må ikke drivstoff og utstyr lagres i nærheten av fyringsanlegg, ovner, varmtvannsberedere eller annet utstyr med sparebluss.

Motoren skal stå vannrett (i normal driftsposisjon). Fyll drivstofftanken (A, figur 31) med drivstoff. Fyll ikke over drivstofftankens hals, slik at drivstoffet får rom til å ekspandere (B).

Drivstoff kan bli foreldet når det oppbevares i en kanne i mer enn 30 dager. Bruken av en alkoholfri drivstoffstabilisator og etanolbehandling i drivstoffkannen er anbefalt for å forhindre nedbryting av drivstoffet og for å holde drivstoffet friskt.

Når du fyller drivstoffkannen med drivstoff, tilsatt en alkoholfri drivstoffstabilisator som spesifisert av produsentens instruksjoner. Hvis bensin i motoren ikke har blitt behandlet med en drivstoffstabilisator, må den tømmes i en godkjent kanne. Kjør motoren til den er tom for drivstoff.

## Motorolje

Skift olje mens motoren fortsatt er varm. Se avsnittet **Skifte av motorolje**.

## Feilsøking Assistanse

Hvis du trenger hjelp, ta kontakt med din lokale forhandler eller gå til **BRIGGSandSTRATTON.COM** eller ring **1-800-444-7774** (i USA).

## Spesifikasjoner og reservedeler

Spesifikasjoner	Modell: 10V000	Modell: 12V000
Sylindervolum	10.313 ci (169 cc)	12.387 ci (203 cc)
Sylinderboring	2.44 in (62 mm)	2.677 in (68 mm)
Slaglengde	2.204 in (56 mm)	2.204 in (56 mm)
Oljekapasitet	18 - 20 oz (.54 - .59 L)	18 - 20 oz (.54 - .59 L)
2:1 Våtkobling-reduksjon – Oljetype	10W-30	10W-30
2:1 Våtkobling-reduksjon – Oljekapasitet	10 oz (.30 L)	10 oz (.30 L)
6:1 Girreduksjon – Oljetype	80W-90	80W-90
6:1 Girreduksjon – Oljekapasitet	4 oz (12 L)	4 oz (12 L)
Tennpluggens avstand	.030 in (.76 mm)	.030 in (.76 mm)
Tennpluggens dreiemoment	180 lb-in (20 Nm)	180 lb-in (20 Nm)

Spesifikasjoner	Modell: 10V000	Modell: 12V000
Tennspolens luftspalte	.010 - .013 in (.25 - .35 mm)	.010 - .013 in (.25 - .35 mm)
Klaring for inntaksventil	.004 - .006 in (.10 - .15 mm)	.004 - .006 in (.10 - .15 mm)
Eksosventil Klaring	.005 - .007 in (.15 - .20 mm)	.005 - .007 in (.15 - .20 mm)

Spesifikasjoner	Modell: 25V000
Sylindervolum	24.898 ci (408 cc)
Sylinderboring	3.465 in (88 mm)
Slaglengde	2.638 in (67 mm)
Mutter for kabelmonteringsknekt	30 lb-in (3,4 Nm)
Ledningsholderskrue	25 lb-in (2,8 Nm)
Oljekapasitet	28 - 32 oz (.83 - .95 L)
Tennpluggens avstand	.030 in (.76 mm)
Tennpluggens dreiemoment	180 lb-in (20 Nm)
Tennspolens luftspalte	.010 - .013 in (.25 - .35 mm)
Klaring for inntaksventil	.004 - .006 in (.10 - .15 mm)
Eksosventil Klaring	.005 - .007 in (.15 - .20 mm)

Motorens ytelse vil reduseres med 3,5 % for hver 1000 fot (300 meter) over havet, og med 1 % for hver 10 °F (5,6 °C) over 77 °F (25 °C). Motoren vil fungere tilfredsstillende ved en vinkel på opp til 30°. Se maskinens brukerhåndbok for tillatt trygg arbeidsvinkel i bakker.

## Servicedeler

For å kjøpe Briggs & Stratton-servicedeler, finn en autorisert serviceforhandler på BRIGGSandSTRATTON.COM. Du vil trenge identifiseringsnummeret ditt (modell – type – trim). Referer til **Funksjoner og kontroller**-avsnittet for å finne identifiseringsnummeret ditt.

## Effektberegning

Brutto effektberegning for individuelle bensinmotorer er merket i henhold til SAE- (Society of Automotive Engineers) kode J1940 Small Engine Power & Torque Rating Procedure, og er rangert i henhold til SAE J1995. Dreiemomentverdiene hentes ut ved 2600 o/min for motorer hvor «rpm» (o/min) er nevnt på etiketten, og 3060 o/min for alle andre. Verdien for hestekrefter hentes ut ved 3600 o/min. Bruttokurver kan sees på [www.BRIGGSandSTRATTON.COM](http://www.BRIGGSandSTRATTON.COM). Nettoeffekt-verdiene er målt med eksos- og luftfilter installert, mens bruttoverdier er målt uten disse tilbehørene. Reell brutto motoreffekt vil være høyere enn netto motoreffekt, og påvirkes av blant annet forhold i omgivelsene og variasjoner fra motor til motor. Gitt det brede spekteret av produkter som motorer er montert inn i, kan ikke bensindrevne motorer utvikle nominell bruttoeffekt når de brukes i et bestemt elektrisk utstyr. Denne forskjellen skyldes en rekke faktorer, inkludert, men ikke begrenset til, variasjonen i motordeler (luftfilter, eksosanlegg, lader, kjøleanlegg, forgasser, drivstoffpumpe osv.), begrensninger i bruk, forhold i omgivelsene (temperatur, fuktighet, høyde), og variasjoner fra motor til motor. På grunn av produksjons- og kapasitetsmessige begrensninger, kan Briggs & Stratton bytte ut en motor med en som er av høyere rangert effekt for denne motoren.

## Garanti

### Briggs & Stratton® -motorgaranti

Effektiv fra mars 2023

#### Begrenset garanti

Briggs & Stratton garanterer at i løpet av garantiperioden som angitt nedenfor, vil foretaket sørge for å reparere eller skifte ut alle deler som er defekte med nye, renoverte eller reproduserte deler gratis (etter Briggs & Stratton sitt skjønn), enten svikten skyldes materialet, utførelsen derav, eller begge deler. Transportkostnader for et produkt som sendes inn for reparasjon eller utskifting av deler som faller inn under denne garantien, må dekkes av kjøperen. Denne garantien er kun gyldig for og er underlagt den tidsperioden og de vilkårene som er nevnt nedenfor. For service under garantien, finn din nærmeste autoriserte serviceforhandler på forhandlersøk-kartet på BRIGGSandSTRATTON.COM. Kjøperen må kontakte autorisert serviceforhandler og deretter gjøre produktet tilgjengelig for den autoriserte forhandleren for inspeksjon og testing.

Det finnes ingen andre uttrykkelige garantier. Underforståtte garantier, medregnet dem som gjelder forretningsmessighet og egnethet til et bestemt formål, begrenser seg til ett år fra kjøpet fant sted eller innenfor den gyldighetsperioden som tillates gjennom lov. Alle andre underforståtte garantier er utelukkede. Ansvar for tilfeldige skader eller følgeskader er utelukkede i den grad utelukkelse er tillatt ved lov. Noen stater eller land tillater ikke begrensninger på hvor lang tid en underforstått garanti gjelder og noen stater eller land tillater ikke utelukkelse eller begrensning av tilfeldige skader eller følgeskader, og dermed er det ikke sikkert

at begrensningen eller utelukkelsen ovenfor gjelder for deg. Denne garantien gir deg spesifikke juridiske rettigheter og andre rettigheter som kan variere fra land til land.

## Standard garantivilkår<sup>1, 2</sup>

### Vanguard®; CXi serie

Forbrukerbruk – 36 måneder

Kommersiell bruk – 36 måneder

### XR serie

Forbrukerbruk – 24 måneder

Kommersiell bruk – 24 måneder

### Alle andre motorer med Dura-Bore™ støpejernsforing

Forbrukerbruk – 24 måneder

Kommersiell bruk – 12 måneder

### Alle andre motorer

Forbrukerbruk – 24 måneder

Kommersiell bruk – 3 måneder

<sup>1</sup> Dette er våre standard garantivilkår, men noen ganger kan det være ekstra garanti dekning som ikke var bestemt på det tidspunktet dokumentasjonen gikk i trykken. For å se en liste over aktuelle garantivilkår for din motor, gå inn på BRIGGSandSTRATTON.COM eller henvend deg til din autoriserte Briggs & Stratton-serviceforhandler.

<sup>2</sup> Det er ingen garanti på motorer påmontert på utstyr som brukes til å produsere kraft som erstatter kraft fra en kraftleverandør, reserveaggregater som brukes i kommersiell sammenheng, kraftleverandørkjøretøy som overskrider 40 km/t eller motorer som brukes til konkurransekjøring eller på kommersielle baner eller utleiebaner.

Garantien begynner på kjøpsdatoen der kjøperen er den første private brukeren eller profesjonelle endelige brukeren, og fortsetter ut den perioden som er angitt i tabellen ovenfor. "Hjemmebruk" betyr privat bruk hjemme av en forbruker. "Forretningsmessig bruk" betyr all annen bruk, inkludert bruk for kommersielt, forretningsmessig eller utleieformål. Så snart en motor er blitt anvendt til profesjonelt bruk, vil den deretter bli betraktet som en kommersiell motor med hensyn til garantien.

Det er ikke nødvendig med noen garantiregistrering for å få garanti på Briggs & Stratton-produkter. Ta vare på kvitteringen som bevis på kjøp. Hvis du ikke skaffer til veie bevis på den opprinnelige kjøpsdatoen på det tidspunktet du gjør garantien gjeldende, vil produksjonsdatoen på produktet brukes til å fastsette garantiperioden.

#### Om din garanti

Denne begrensede garantien dekker kun defekter på materialer og/eller utførelse av arbeid på motoren, og ikke erstatning eller tilbakebetaling for utstyret som motoren eventuelt er montert på. Rutinemessig vedlikehold, trimming, justeringer eller normal slitasje dekkes ikke av denne garantien. Garantien er heller ikke gyldig hvis motoren er blitt endret eller modifisert eller hvis motorens serienummer er ødelagt eller fjernet. Denne garantien dekker ikke skader på motor eller problemer med ytelse forårsaket av:

1. Bruk av deler som ikke er Briggs & Stratton
2. Bruk av motoren med for lite olje, forurenset olje eller feil type olje;
3. Bruk av forurenset eller gammelt drivstoff, bensin som inneholder mer enn 10 % etanol, eller bruk av alternativt drivstoff, slik som forskjellige typer flytende petroleum eller naturgass i motorer som ikke var opprinnelig konstruert/produsert av Briggs & Stratton til å bruke slike drivstofftyper;
4. Smuss som har kommet inn i motoren som resultat av feil vedlikehold eller feil montering av luftfilteret;
5. At kniven på en roterende gressklipper har truffet en gjenstand, løse eller feil monterte knivadaptere, viftehjul eller andre deler som er koblet til veivakselen, eller at v-remmen er for stram;
6. Tilhørende deler eller monteringer slik som kløtsjer, girkasser, kontroller for utstyr osv. som ikke er levert av Briggs & Stratton;
7. Overoppheting som resultat av at gressrester, rusk og partikler eller musereir blokkerer eller tetter igjen kjøleribbene eller svinghjulet, eller skader forårsaket av at motoren er blitt brukt på steder uten tilstrekkelig ventilasjon;
8. Sterk vibrasjon forårsaket av for høyt turtall, at motoren sitter løst, løstsittende eller ubalanserte kniver eller viftehjul, eller at utstyr er feil montert på veivakselen;
9. Feil bruk, manglende rutinemessig vedlikehold, transport, håndtering eller lagring av utstyr, eller feil montering av motoren.

Garantiservice er kun tilgjengelig gjennom Briggs & Stratton-autoriserte serviceforhandlere. Finn din nærmeste autoriserte serviceforhandler på vårt forhandlersøk-kart på BRIGGSandSTRATTON.COM eller ved å ringe 1-800-444-7774 (i USA).

80114782 (Revisjon B)

## Briggs & Stratton Emissions Warranty

### Manufacturer's Warranty Coverage:

The exhaust emissions control system on your engine is warranted for two years. If any emissions-related part on your engine is defective, the part will be repaired or replaced by B&S.

### Owner's Warranty Responsibilities:

- As the engine owner, you are responsible for the performance of the required maintenance listed in your owner's manual. B&S recommends that you retain all receipts covering maintenance on your engine, but B&S cannot deny warranty coverage solely for the lack of receipts or for your failure to ensure the performance of all scheduled maintenance.
- As the engine owner, you should however be aware that B&S may deny you warranty coverage if your engine or a part has failed due to abuse, neglect, or improper maintenance or unapproved modifications.
- You are responsible for presenting your engine to a B&S distribution center or service center as soon as the problem exists. The warranty repairs shall be completed in a reasonable amount of time, not to exceed 30 days. If you have a question regarding your warranty rights and responsibilities, you should contact B&S at 1-800-444-7774 (in USA) or BRIGGSandSTRATTON.COM.

80130178 Revision A

Not for  
Reproduction



## Informações gerais



Este manual contém as informações de segurança sobre os perigos e riscos relacionados com o motor e como evitá-los. Também contém a operação e manutenção corretas deste motor. É importante ler, compreender e seguir estas instruções. **Guarde este manual para consulta futura.**

**NOTA:** As figuras e ilustrações neste manual são fornecidas apenas a título informativo e podem ser diferentes do seu modelo. Use as figuras que se alinham com a configuração do seu motor. Se for necessário, fale com um Revendedor de Serviços Autorizado.

Registe a data de aquisição, o modelo do motor, o tipo, a guarnição e o número de série do motor para peças de reposição. Estes números estão indicados no motor. Consulte a secção **Características e Controlos**.

Data de aquisição	
Modelo do Motor - Tipo - Guarnição	
Número de série do motor	

## Informações de contacto escritório europeu

Para assuntos relacionados com emissões europeias, contacte o nosso escritório europeu:

Max-Born-Straße 2, 68519 Viernheim, Alemanha.


## Estágio V (5) da União Europeia (UE): Valores de Dióxido de Carbono (CO<sub>2</sub>)

Digite CO<sub>2</sub> na janela de pesquisa em [BriggsandStratton.com](http://BriggsandStratton.com) para encontrar os valores de dióxido de carbono dos motores com certificado de homologação da UE Briggs & Stratton.

## Segurança do Operador

### Símbolo de alerta de segurança e palavras de sinalização



O símbolo de alerta de segurança  identifica informação de segurança sobre perigos que podem resultar em lesões pessoais. Uma palavra de sinalização (**PERIGO**, **ADVERTÊNCIA**, ou **CUIDADO**) é usada para indicar a probabilidade e potencial gravidade da lesão. Para além disso, um símbolo de perigo pode ser usado para representar o tipo de perigo.









**PERIGO** indica um perigo que, se não for evitado, **irá** resultar em morte ou lesões graves.



**ADVERTÊNCIA** indica um perigo que, se não for evitado, **pode** resultar em morte ou lesões graves.

**CUIDADO** indica um perigo que, se não for evitado, **pode** resultar em ferimentos ligeiros ou moderados.

**AVISO** indica informação considerada importante, mas não relacionada com perigo.

### Símbolos de Segurança e Respectivos Significados

 Informação de segurança sobre perigos que podem resultar em lesões pessoais.	 Deve ler e compreender o Manual do Utilizador antes de trabalhar ou intervir na unidade.
 Perigo de incêndio	 Perigo de explosão
 Perigo de choque	 Perigo de fumo tóxico
 Perigo de superfície quente	 Perigo de contragolpe (coice)

 Perigo de amputação - Peças móveis	 Nível de combustível - Máximo Não encher demais
---	---

## Mensagens de Segurança



### ADVERTÊNCIA

Os motores da Briggs & Stratton® não foram concebidos nem devem ser usados para accionar: karts de diversão; karts reais; veículos todo-terreno desportivos, para crianças, ou recreativos (ATV); motos; hovercraft; produtos aeronáuticos; ou veículos usados em provas de competição não aprovadas pela Briggs & Stratton. Para obter informações sobre produtos de competição, consulte [www.briggsracing.com](http://www.briggsracing.com). Caso pretenda usar este motor com ATV utilitários e "side-by-side", deve entrar em contacto com o Briggs & Stratton Power Application Center, 1-866-927-3349. O uso incorreto do motor pode resultar em ferimentos graves ou morte.

## Informação sobre reciclagem



Recicle todas as caixas de papelão, caixas, óleo usado e baterias, conforme especificado pelos regulamentos governamentais.

## Características e Controlos






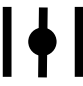


### Controlos do Motor

Compare as letras das legendas nas Figuras 1, 2, e 3 para os controlos do motor na seguinte lista:

- Números de identificação do motor **Modelo - Tipo - Código**
- Vela de ignição
- Tanque de combustível e tampão
- Purificador do ar
- Manípulo do cabo de arranque
- Vareta do óleo
- Enchimento de óleo
- Bujão de Drenagem de Óleo
- Silenciador, protetor do silenciador (se instalado), corta-faíscas (se instalado)
- Controlo de acelerador/Corte do combustível/TransportGuard®
- Comando do estrangulador
- Grelha de admissão de ar
- Interruptor de arranque elétrico (se instalado)
- Unidade de redução (se instalada)

Alguns motores e equipamentos possuem controlos à distância. Consulte no manual do equipamento a localização e o funcionamento dos controlos à distância.

### Símbolos de Controlo do Motor e Respetivos Significados

 Velocidade do motor - RÁPIDA	 Velocidade do motor - LENTA
 Velocidade do motor - PARAR	 LIGADO - DESLIGADO
 Arranque do Motor Estrangulador FECHADO	 Arranque do Motor Estrangulador ABERTO
 Tampão do combustível Válvula de corte de combustível - ABERTA	 Válvula de corte de combustível - FECHADA

# Montagem

## Conversão do comando da válvula estranguladora

O motor normal tem um comando de válvula estranguladora manual. Para operar o controlo manual do acelerador, instale um controlo remoto do acelerador ou converta para uma velocidade fixa. Consulte as instruções seguintes.

**NOTA:** A velocidade do motor tem de estar correta conforme indicado nas especificações de desempenho do fabricante do equipamento. Contacte um concessionário autorizado da Briggs & Stratton para assistência.

### Controlo de acelerador manual

1. Mova a alavanca de controlo do acelerador/TransportGuard® (A, Figura 4) para a posição de DESLIGADO.
2. Remova a mola (S, Figura 4).

### Controlo remoto com cabo de arame trançado

Um controlo remoto com cabo de arame trançado pode ser instalado em qualquer uma das duas direções: **Direção da cabeça do cilindro** ou **direção frontal**.

#### Direção da cabeça do cilindro

1. Mova a alavanca de controlo do acelerador/TransportGuard™ (A, Figura 5) para a posição de DESLIGADO.
2. Use uma chave de 10 mm para soltar a porca (P, Figura 5) ½ volta na alavanca de controlo do acelerador/TransportGuard® (A).
3. Segure a porca de montagem do cabo (J, Figura 6) com uma chave de 10 mm e solte o parafuso (K).
4. Instale o cabo de arame (L, Figura 6) através do orifício da porca de montagem do cabo (J) e aperte o parafuso (K). Certifique-se de que o cabo de arame (L) não se estende por mais de ½ pol. (12,7 mm) além do orifício.
5. Solte o parafuso (I, Figura 6). Prensada a manga do cabo (N) por baixo do grampo do cabo (M) e aperte o parafuso (I).
6. Verifique o funcionamento do controlo remoto do acelerador. Mova o controlo remoto do acelerador para lento para rápido 2-3 vezes. Certifique-se de que o controlo remoto do acelerador e o cabo de arame (L, Figura 6) se move livremente. Ajuste a porca (P, Figura 7), conforme necessário, para a posição especificada.

#### Direção Frontal

1. Ajuste a alavanca do comando da válvula reguladora / TransportGuard™ :
  - a. **Para modelos de motor 10V000 e 12V000:** Mova a alavanca de controlo do acelerador/TransportGuard® (A, Figura 8) para a posição de RÁPIDO.
  - b. **Para modelos de motor 25V000:** Mova a alavanca de controlo do acelerador/TransportGuard™ (A, Figura 8) para a posição de DESLIGADO.
2. Use uma chave de 10 mm para soltar a porca (P, Figura 7) ½ volta na alavanca de controlo do acelerador/TransportGuard® (A).
3. Segure a porca de montagem do cabo (J, Figura 8) com uma chave de 10 mm e solte o parafuso.
4. Instale o cabo de arame (L, Figura 8) através do orifício da porca de montagem do cabo (J) e aperte o parafuso (K). Certifique-se de que o cabo de arame (L) não se estende por mais de ½ pol. (12,7 mm) além do orifício.
5. Solte o parafuso (I, Figura 8). Prensada a manga do cabo (N) por baixo do grampo (M) e aperte o parafuso (I).
6. Verifique o funcionamento do controlo remoto do acelerador. Mova o controlo remoto do acelerador para lento para rápido 2-3 vezes. Certifique-se de que o controlo remoto do acelerador e o cabo (L, Figura 8) se movem livremente. Ajuste a porca (P, Figura 7), conforme necessário, para a posição especificada.

### Controlo remoto com cabo de arame sólido

Um controlo remoto com cabo de arame sólido pode ser instalado numa das quatro direções: **Direção da cabeça do cilindro**, **direção frontal**, **direção esquerda** ou **direção direita**.

#### Direção da cabeça do cilindro

1. Mova a alavanca de controlo do acelerador/TransportGuard® (A, Figura 9) para a posição de DESLIGADO.
2. Remova a mola (S, Figura 9).
3. Mova a alavanca de controlo do acelerador/TransportGuard® (A, Figura 9) para a posição RÁPIDO.
4. Use uma chave de 10 mm para soltar a porca (P, Figura 4) ½ volta na alavanca de controlo do acelerador/TransportGuard® (A).
5. Instale o encaixe em Z do cabo de arame (Q, Figura 9) num dos pequenos orifícios na manivela (R).
6. Solte o parafuso (I, Figura 9). Prensada a manga do cabo (N) por baixo do grampo do cabo (M) e aperte o parafuso (I).

7. Verifique o funcionamento do controlo remoto do acelerador. Mova o controlo remoto do acelerador para lento para rápido 2-3 vezes. Certifique-se de que o controlo remoto do acelerador e o cabo de arame (L, Figura 9) se move livremente. Ajuste a porca (P, Figura 4), conforme necessário, para a posição especificada.

#### Direção Frontal

1. Mova a alavanca de controlo do acelerador/TransportGuard® (A, Figura 10) para a posição de DESLIGADO.
2. Remova a mola (S, Figura 10).
3. Mova a alavanca de controlo do acelerador/TransportGuard® (A, Figura 10) para a posição RÁPIDO.
4. Use uma chave de 10 mm para soltar a porca (P, Figura 4) ½ volta na alavanca de controlo do acelerador/TransportGuard® (A).
5. Instale o encaixe em Z do cabo de arame (Q, Figura 10) em qualquer um dos orifícios pequenos na manivela (R).
6. Solte o parafuso (I, Figura 10). Prensada a manga do cabo (N) por baixo do grampo (M) e aperte o parafuso (I).
7. Verifique o funcionamento do controlo remoto do acelerador. Mova o controlo remoto do acelerador para lento para rápido 2-3 vezes. Certifique-se de que o controlo remoto do acelerador e o cabo (L, Figura 10) se movem livremente. Ajuste a porca (P, Figura 4), conforme necessário, para a posição especificada.

#### Direção Esquerda

1. Mova a alavanca de controlo do acelerador/TransportGuard® (A, Figura 11) para a posição de DESLIGADO.
2. Remova a mola (S, Figura 4).
3. Mova a alavanca de controlo do acelerador/TransportGuard® (A, Figura 11) para a posição RÁPIDO.
4. Use uma chave de 10 mm para soltar a porca (P, Figura 4) ½ volta na alavanca de controlo do acelerador/TransportGuard® (A, Figura 11).
5. Remova o botão de controlo do acelerador (W, Figura 11) para chegar ao orifício pequeno (S).
6. Instale o encaixe em Z do cabo de arame (L, Figura 11) no pequeno orifício (S) na alavanca de controlo do acelerador (A).
7. Solte o parafuso (I, Figura 11). Prensada a manga do cabo (N) por baixo do grampo (M) e aperte o parafuso (I).
8. Verifique o funcionamento do controlo remoto do acelerador. Mova o controlo remoto do acelerador para lento para rápido 2-3 vezes. Certifique-se de que o controlo remoto do acelerador e o cabo (L, Figura 11) se movem livremente. Ajuste a porca (P, Figura 4), conforme necessário, para a posição especificada.

#### Direção Direita

Para montar um controlo remoto da válvula reguladora da direção correta, é necessário um suporte de montagem de cabo (U, Figura 12). Consulte a secção **Especificações e peças de substituição** para o número da peça. Para comprar um suporte de montagem de cabo, contacte um concessionário autorizado da Briggs & Stratton.

1. Mova a alavanca de controlo do acelerador/TransportGuard® (A, Figura 12) para a posição de DESLIGADO.
2. Remova a mola (S, Figura 4).
3. Remova o botão de controlo de acelerador (W, Figura 12) para expor o orifício pequeno (S).
4. Mova a alavanca de controlo do acelerador/TransportGuard® (A, Figura 12) para a posição RÁPIDO.
5. Use uma chave de 10 mm para soltar a porca (P, Figura 4) ½ volta na alavanca de controlo do acelerador/TransportGuard® (A, 12).
6. Instale o encaixe em Z do cabo de arame (L, Figura 12) no pequeno orifício (S) na alavanca de controlo do acelerador (A).
7. Remova o parafuso (T, Figura 12). Instale o suporte de montagem do cabo (U) conforme mostrado. Fixe o suporte de montagem do cabo (U) com o parafuso (T). Aperte o parafuso (T) para 30 lb-pol. (3,4 Nm). Consulte a secção **Especificações e peças de substituição**.
8. Solte o parafuso (I, Figura 12). Prensada a manga do cabo (N) por baixo do grampo (M) e aperte o parafuso (I).
9. Examine o funcionamento do controlo remoto do acelerador. Mova o controlo remoto do acelerador para lento para rápido 2-3 vezes. Certifique-se de que o controlo remoto do acelerador e o cabo (L, Figura 12) se movem livremente. Ajuste a porca (P, Figura 4), conforme necessário, para a posição especificada.

#### Velocidade fixa do motor (sem cabo de controlo da válvula reguladora)

Quando convertido para uma **Velocidade de Motor Fixa**, não há cabo de controlo de acelerador instalado e não há seleção da velocidade. RÁPIDO é a única velocidade do motor.

1. Mova a alavanca de controlo do acelerador/TransportGuard® (A, Figura 13) para a posição de DESLIGADO.
2. Remova a mola (S, Figura 13).
3. Mova a alavanca de controlo do acelerador/TransportGuard® (A, Figura 13) para a posição RÁPIDO.
4. Certifique-se de que o parafuso de retenção de arame (V, Figura 13) está alinhado com o orifício no suporte. Aperte o parafuso (V) até 25 lb-pol. (2,8 Nm).
5. Remova a ligação do controlo (H, Figura 13).

**NOTA:** A alavanca controlo de acelerador/TransportGuard® terá agora apenas duas posições: PARADO/DESLIGADO e EM FUNCIONAMENTO.

6. Instale a nova etiqueta LIGAR/DESLIGAR TransportGuard® (O, Figura 14) sobre a etiqueta de controlo de velocidade existente no painel de compensação (F).

## Funcionamento



**ADVERTÊNCIA**  
Os vapores dos combustíveis são inflamáveis e explosivos. Incêndio ou explosão pode resultar em queimaduras ou morte.

### No caso de haver cheiro a gás

- Não ligar o motor.
- Não ligue interruptores elétricos.
- Não usar um telefone nas proximidades.
- Evacuar a área.
- Contacte os bombeiros.

### Quando operar o equipamento

- Não incline o motor nem o equipamento a ponto de derramar combustível.

### Quando mover a localização do equipamento

- Verifique se o depósito de combustível está VAZIO ou se a válvula de corte de combustível, se instalada, está na posição FECHADA.

## Verificar o nível do óleo

### Antes de verificar ou adicionar óleo

- Certifique-se de que a unidade está nivelada.
- Limpe a área do óleo de quaisquer resíduos.
- Consulte a secção **Especificações** para a capacidade de óleo.

### AVISO

Este motor foi enviado da Briggs & Stratton sem óleo. Os fabricantes de equipamentos ou os revendedores podem ter adicionado óleo ao motor. Antes de ligar o motor pela primeira vez, verifique se o óleo está no nível correto. Adicione óleo conforme especificado pelas instruções neste manual. Se arrancar o motor sem óleo, este ficará danificado, sem reparação possível e não será coberto pela garantia.

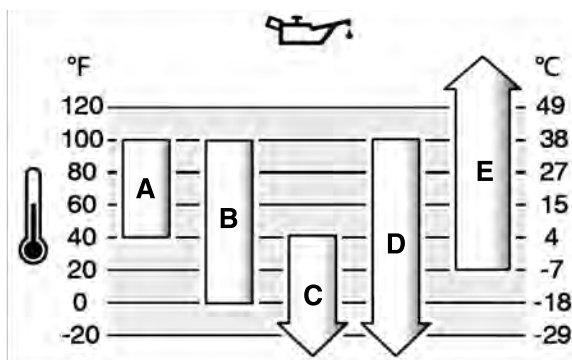
1. Remova a vareta (A, Figura 15) e limpe com um pano
2. Coloque e aperte a vareta (A, Figura 15).
3. Remova a vareta e verifique o nível do óleo. Certifique-se de que o nível do óleo está no topo do indicador de cheio (B, Figura 15) na vareta.
4. O motor tem dois reservatórios de óleo (C, G Figura 16). Se o nível do óleo estiver baixo, adicione óleo lentamente no depósito de óleo do motor (C, G). Não adicione demasiado óleo. Depois de adicionar óleo, aguarde um minuto e volte a verificar o nível do óleo. Verifique se o nível do óleo está correto.
5. Coloque e aperte a vareta (A, Figura 15).

## Recomendações de Óleo

**Capacidade do cárter de óleo:** Consulte a secção **Especificações**.

Recomendamos o uso de óleos certificados com garantia da Briggs & Stratton® para um melhor desempenho. Outros óleos detergentes de elevada qualidade são permitidos se classificados para a manutenção de SF, SG, SH, SJ ou superior. Não use aditivos especiais.

Utilize o gráfico para seleccionar a melhor viscosidade para o intervalo de temperatura exterior esperado. Os motores na maioria dos equipamentos de energia ao ar livre funcionam bem com óleo sintético 5W-30. Para equipamentos utilizados em temperaturas quentes, o óleo sintético Vanguard® 15W-50 é o que confere a melhor protecção.



A	SAE 30 - Abaixo de 40 °F (4 °C) a utilização de SAE 30 irá resultar num arranque complicado.
B	10W-30 - Acima de 80 °F (27 °C) a utilização de 10W-30 pode causar o aumento do consumo de óleo. Verifique o nível do óleo com frequência.
C	5W-30
D	5W-30 sintético
E	Vanguard® sintético 15W-50

## Sistema de protecção de baixo nível de óleo (se instalado)

Um sensor com pouco óleo está instalado em alguns motores. Se o nível de óleo estiver baixo, o sensor pode ativar uma luz de aviso ou parar o motor. Pare o motor e execute os passos a seguir antes de arrancar o motor.

- Certifique-se de que a unidade está nivelada.
- Verifique o óleo. Consulte a secção **Verificar o nível do óleo**.
- Se o nível do óleo estiver baixo, acrescente a quantidade de óleo adequada. Arranque o motor e verifique se o dispositivo de aviso (se equipado) não acende.
- Se o nível de óleo não estiver baixo, não ligue o motor. Contacte um revendedor de serviços autorizado Briggs & Stratton para corrigir o problema do óleo.

## Recomendações de Combustível

O combustível deve satisfazer estes requisitos:

- Gasolina limpa, fresca e sem chumbo.
- Um mínimo de 87 octanas/87 AKI (91 RON). Utilização em altitude elevada, veja em baixo.
- Gasolina com até 10% de etanol (gasool) é permitida.

### AVISO

Não use gasolinas não aprovadas, tais como E15 e E85. Não misture óleo na gasolina nem altere o motor para operar com combustíveis alternativos. A utilização de combustíveis não aprovados pode causar danos nos componentes do motor, que não serão cobertos pela garantia.

Para proteger o sistema de combustível da formação de goma e corrosão, misture um estabilizador de combustível sem álcool e um tratamento de etanol no combustível. Consulte a secção **Armazenamento**. O combustível não é todo o mesmo. Se ocorrerem problemas de arranque ou desempenho, mude de fornecedores de combustível ou de marcas. Este motor está certificado para funcionar a gasolina. O sistema de controlo de emissões para motores carburados é EM (Modificações do Motor). Os sistemas de controlo de emissões para motores com injeção eletrónica de combustível são ECM (Módulo de Controlo de Motor), MFI (Injeção de Combustível Multi Portas), TBI (Injeção de Combustível do Corpo do Acelerador) e, se equipado, um O2S (Sensor de Oxigénio).

### Elevada Altitude

A altitudes superiores a 5000 pés (1524 metros), é aceitável uma gasolina com o mínimo de 85 octanas/85 AKI (89 RON).

Para motores carburados, o ajuste de altitude elevada é necessário para manter o desempenho. O funcionamento sem este ajuste irá causar um decréscimo do desempenho, aumento do consumo de combustível e aumento de emissões. Contacte um Concessionário de Assistência Autorizado pela Briggs & Stratton para informações sobre o ajuste a altitude elevada. A operação do motor a altitudes abaixo dos 2500 pés (762 metros) com o ajuste de altitude elevada não é recomendada.

Para motores de Injeção Eletrónica de Combustível (EFI), não é necessário qualquer ajuste de altitude elevada.

## Adicionar combustível



### ADVERTÊNCIA

O combustível e os seus vapores são inflamáveis e explosivos. Incêndio ou explosão pode resultar em queimaduras ou morte.

#### Quando adiciona combustível

- Pare o motor. Antes de remover a tampa do combustível, aguarde no mínimo dois (2) minutos para garantir que o motor esteja frio.
  - Encha o depósito de combustível ao ar livre ou numa área com bom fluxo de ar.
  - Não coloque muito combustível no depósito. Para permitir a expansão do combustível, não deixe o nível do combustível ultrapassar a parte inferior do bocal do depósito.
  - Mantenha o combustível afastado de faíscas, chamas abertas, chamas piloto, calor e outras fontes de ignição.
  - Examine frequentemente as linhas de combustível, o depósito de combustível, a tampa do combustível e as conexões quanto a rachaduras ou vazamentos. Substitua as peças danificadas.
  - Se derramar combustível, aguarde até que este evapore antes de ligar o motor.
1. Limpe a área do tampão do combustível, removendo sujidade e detritos. Remova o tampão do combustível.
  2. Encha o depósito de combustível (A, Figura 17) com gasolina. Com a expansão do combustível, não deixe o nível do combustível ultrapassar a parte inferior do bocal do depósito de combustível (B).
  3. Instale o tampão do combustível.

## Arrancar o motor



### ADVERTÊNCIA

**PERIGO DE GÁS VENENOSO.** O escape do motor contém monóxido de carbono, um gás venenoso que pode ser fatal em poucos minutos. Mesmo que não sinta o cheiro dos gases de escape, não deixa de estar exposto ao perigoso gás de monóxido de carbono. Se começar a sentir-se doente, com tonturas ou fraqueza ao usar este produto, dirija-se DE IMEDIATO para um local bem ventilado.

Consulte um médico. Pode estar com envenenamento por monóxido de carbono.

- O gás de monóxido de carbono pode acumular-se em espaços ocupados. Para reduzir o risco de gás de monóxido de carbono, opere este produto APENAS ao ar livre e longe de janelas, portas e aberturas de ventilação.
- Instale alarmes de monóxido de carbono alimentados a bateria ou de ligação à corrente com bateria de emergência, em conformidade com as instruções do fabricante. Os detetores de fumos não detetam o monóxido de carbono gasoso.
- NÃO use este produto no interior de habitações, garagens, porões, vãos com teto baixo, depósitos ou outros espaços parcialmente fechados, mesmo que possam existir neles ventiladores ou portas e janelas que possam ser abertas para ventilação. Após a operação deste produto, o monóxido de carbono pode acumular-se rapidamente nestes espaços e permanecer durante horas.
- Coloque SEMPRE este produto num local a favor do vento e aponte o escape do motor afastando-o de espaços ocupados.



### ADVERTÊNCIA

O combustível e os seus vapores são inflamáveis e explosivos. Incêndio ou explosão pode resultar em queimaduras ou morte.

#### Quando arrancar o motor

- Assegure-se de que a vela de ignição, o silenciador, o tampão do combustível e o purificador do ar (se instalado) estão instalados corretamente.
- Não acione o motor com a vela de ignição retirada.
- Se o motor estiver encharcado, coloque o estrangulador (se equipado) na posição ABERTO ou FUNCIONAMENTO. Desloque a válvula reguladora (se instalada) para a posição RÁPIDA, e acione até que o motor arranque.
- Se existir uma fuga de gás natural ou de GPL na zona, não ligue o motor.
- Não utilize fluidos de arranque pressurizados, porque os vapores são inflamáveis.



### ADVERTÊNCIA

As peças rotativas podem emaranhar mãos, pés, cabelos, roupas ou acessórios e resultar em amputação ou laceração traumática.

- Opere o equipamento com as proteções instaladas corretamente.
- Mantenha as mãos e os pés afastados de peças em rotação.
- Remova jóias e verifique se os cabelos longos estão afastados de todas as peças rotativas.
- Não use roupas folgadas ou itens que possam ficar presos.



### ADVERTÊNCIA

O cabo de arranque recuando em contragolpe (retrocesso rápido) puxará a mão e o braço em direção ao motor, mais rápido que poderá largar, o que poderá causar ossos partidos, fraturas, contusões ou entorses.

- Ao colocar o motor em funcionamento, puxe o cabo de arranque lentamente até sentir resistência, e depois puxe rapidamente para evitar o coice.
- Retire todo o equipamento exterior/cargas do motor antes de ligar o motor.
- Componentes de equipamento de ligação direta tais como, entre outros, lâminas, impulsores, polias, rodas dentadas, etc., têm de estar bem fixados.

**NOTA:** O seu equipamento pode ter controlos remotos. Consulte no manual do equipamento a localização e o funcionamento dos controlos remotos.

1. Verifique o óleo do motor. Consulte a secção **Verificar o nível do óleo**.
2. Assegure-se que os controlos de direção do equipamento, se existentes, estejam desengatados.
3. Mova a alavanca de controlo do acelerador/TransportGuard® (A, Figura 18), se instalado, para a posição de RÁPIDO ou FUNCIONAMENTO. Opere o motor na posição de RÁPIDO ou FUNCIONAMENTO.
4. Desloque o controlo do estrangulador (B, Figura 18), para a posição de FECHADO.

Normalmente não é necessário usar o estrangulador quando se arranca um motor já quente.

5. **Arranque manual, se instalado:** Segure firmemente o punho do cabo de arranque (C, Figura 18). Puxe o punho do cabo de arranque lentamente até sentir resistência, depois puxe rapidamente.



### ADVERTÊNCIA

O cabo de arranque recuando em contragolpe (retrocesso rápido) puxará a mão e o braço em direção ao motor, mais rápido que poderá largar, o que poderá causar ossos partidos, fraturas, contusões ou entorses.

- Ao colocar o motor em funcionamento, puxe o cabo de arranque lentamente até sentir resistência, e depois puxe rapidamente para evitar o coice.
  - Retire todo o equipamento exterior/cargas do motor antes de ligar o motor.
  - Componentes de equipamento de ligação direta tais como, entre outros, lâminas, impulsores, polias, rodas dentadas, etc., têm de estar bem fixados.
6. **Arranque elétrico, se instalado:** Rode o arranque elétrico (D, Figura 18) para a posição de ARRANQUE.

### AVISO

Para aumentar a vida do motor de arranque, use ciclos de arranque curtos (máximo de cinco segundos). Aguarde um minuto entre ciclos de arranque.

7. À medida que o motor aquece, desloque o controlo do estrangulador (B, Figura 18) para a posição de ABERTO.

Se o motor não funcionar após 2 ou 3 tentativas, contacte o seu revendedor local ou vá a [vanguardpower.com](http://vanguardpower.com) ou ligue para 1-800-999-9333 (nos EUA).

## Pare o motor



### ADVERTÊNCIA

O combustível e os seus vapores são inflamáveis e explosivos. Incêndio ou explosão pode resultar em queimaduras ou morte.

- Não estrangule o carburador (se instalado), para parar o motor.

**Controlo de acelerador/TransportGuard®:** Mova a alavanca de controlo do acelerador/TransportGuard® (A, Figura 19) para a posição de DESLIGADO ou PARAR.

**NOTA:** Quando o controlo de acelerador/TransportGuard® (A, Figura 19) estiver na posição DESLIGADO ou PARAR, a válvula do combustível estará em DESLIGADO. Mova sempre o controlo de acelerador/TransportGuard® para a posição DESLIGADO ou PARAR durante o transporte do equipamento.

**NOTA:** A chave (D, Figura 19) não para o motor. A chave APENAS arranca o motor. Retire sempre a chave (D) e guarde-a num local seguro fora do alcance de crianças.

# Manutenção

## Informação de manutenção

### ADVERTÊNCIA



O combustível e os seus vapores são inflamáveis e explosivos. Incêndio ou explosão pode resultar em queimaduras ou morte.

Durante a manutenção, se for necessário inclinar a unidade, verifique se o depósito de combustível, se montado no motor, está vazio e se o lado da vela de ignição está levantado. Se o depósito de combustível não estiver vazio, pode ocorrer vazamento e resultar em incêndio ou explosão. Se o motor for inclinado numa direção diferente, não será iniciado facilmente devido à contaminação por óleo ou combustível do filtro de ar ou da vela de ignição.

### ADVERTÊNCIA



A faísca acidental do motor pode causar choque elétrico, incêndio ou explosão e resultar em emaranhamento, amputação traumática ou laceração.

#### Antes de fazer ajustes ou reparações:

- Desligue todos os fios da vela de ignição e mantenha-os afastados da vela de ignição.
- Desligue a bateria no terminal negativo (apenas motores com arranque elétrico).
- Utilize apenas as ferramentas corretas.

#### Quando verificar se há ignição:

- Use um dispositivo de teste de ignição aprovado.
- Não teste a existência de ignição com a vela de ignição removida.

### ADVERTÊNCIA



Todos os componentes utilizados para montar este motor têm de ficar na posição inicial para o funcionamento correto. Podem ocorrer danos ou ferimentos se usar peças incorretas ou se não substituir todas as peças do motor.

- As peças de reposição devem ser do mesmo modelo e ser instaladas na mesma posição que as peças iniciais.
- Se estiver instalada, não tente alterar a mola do regulador do motor, ligações ou outras peças para aumentar a velocidade do motor.

### AVISO

Todos os componentes usados na construção deste produto devem permanecer montados para um funcionamento correto.

Visite um revendedor de serviços autorizado Briggs & Stratton para qualquer intervenção de manutenção e assistência do motor e peças do motor.

## Manutenção do Controlo de Emissões

Para manutenção, substituição ou reparação de dispositivos e sistemas de controlo de emissões, entre em contacto com um estabelecimento ou serviço de reparação de motores qualificado. Todavia, para obter a manutenção de controlo de emissões "isenta de custos", o trabalho tem de ser executado por um revendedor autorizado. Ver as Declarações de Controlo de Emissões.

## Plano de Manutenção

Primeiras 5 horas
<ul style="list-style-type: none"><li>• Troque o óleo.</li></ul>
Intervalos de 8 horas ou diariamente
<ul style="list-style-type: none"><li>• Verifique o nível do óleo do motor.</li><li>• Limpe a área à volta do silenciador e dos controlos.</li><li>• Limpe a grelha de admissão de ar.</li></ul>
Intervalos de 100 horas ou anualmente
<ul style="list-style-type: none"><li>• Faça a manutenção do sistema de escape.</li><li>• Mudar o óleo na unidade do redutor (se instalado).</li></ul>
Intervalos de 200 horas ou anualmente
<ul style="list-style-type: none"><li>• Mude o óleo do motor.</li><li>• Limpar o filtro de ar<sup>1</sup></li></ul>
Intervalos de 600 horas ou 3 anos
<ul style="list-style-type: none"><li>• Substitua o filtro do ar.</li></ul>
Anualmente

- Substitua a vela de ignição.
- Manutenção do sistema de combustível.
- Faça a manutenção do sistema de arrefecimento<sup>1</sup>.
- Verifique a folga das válvulas<sup>2</sup>.

<sup>1</sup>Limpe com mais frequência em ambientes empoeirados ou quando muitas partículas estiverem no ar.

<sup>2</sup>Não é necessário, a menos que ocorram problemas no motor.

## Carburador e Velocidade do Motor

Não faça ajustes no carburador, mola de controlo, ligações ou outras peças para ajustar a velocidade do motor. Se forem necessários ajustes, contacte um revendedor de serviços autorizado Briggs & Stratton para o serviço.

### AVISO

O fabricante do equipamento especifica a velocidade máxima do motor uma vez montado no equipamento. Não exceda esta velocidade. Se tiver dúvidas quanto à velocidade máxima do equipamento, ou sobre a regulação de fábrica da velocidade do motor, deve contactar um Revendedor de serviços autorizado Briggs & Stratton para esclarecimento. Para que o equipamento funcione bem e em segurança, a velocidade do motor só deve ser ajustada por um técnico de assistência habilitado.

## Realizar a Assistência da Vela de Ignição

Verifique a folga da vela (A, Figura 20) com um calibrador (B). Se necessário, ajuste a folga da vela de ignição. Coloque e aperte a vela de ignição com o torque correto. Para obter as especificações relativas à folga e ao torque, consulte a secção **Especificações**.

## Manutenção dos sistemas de exaustão e refrigeração

### ADVERTÊNCIA



Durante a operação, o motor e o silenciador ficam quentes. Se tocar num motor quente, poderão ocorrer queimaduras térmicas.

Resíduos combustíveis, tais como folhas, relva, mato, etc. podem incendiar-se.

- Antes de tocar no motor ou no silenciador, pare o motor e aguarde dois (2) minutos. Certifique-se de que o motor e o silenciador sejam seguros ao toque.
- Remova os detritos do silenciador e do motor.

O California Public Resource Code, Secção 4442, proíbe que se use ou opere o motor em qualquer terreno com cobertura florestal, cobertura de arbustos, ou cobertura de relva, ou perto desses lugares, a menos que o sistema de escape esteja equipado com um supressor de centelhas, conforme definido na Secção 4442, que seja mantido em bom funcionamento. Outros estados ou jurisdições federais podem ter leis semelhantes; consulte a Regulamentação Federal 36 CFR Parte 261.52. Contacte o fabricante de equipamento original, revendedor ou concessionário, para obter um detentor de faíscas concebido para o sistema de escape instalado neste motor.

Este motor é arrefecido a ar. Sujidade ou material indesejado pode impedir o fluxo de ar e fazer com que o motor aqueça muito. Isto resulta em desempenho insatisfatório e diminui a vida útil do motor. As aletas de refrigeração do cilindro podem recolher material indesejado que não pode ser removido sem a desmontagem parcial do motor. Certifique-se de que um Revendedor de Serviços Autorizado Briggs & Stratton examine e limpe o sistema de refrigeração de ar. Consulte o **Programa de Manutenção**.

1. Certifique-se de que não há materiais combustíveis à volta e atrás do silenciador.
2. Use uma escova ou pano seco para remover todo o material indesejado da tampa do compartimento do ventilador, silenciador e área do cilindro. NÃO use água para limpar o motor.
3. Certifique-se de que a articulação, as molas e os controlos estão limpos.
4. Examine o silenciador em busca de fendas, corrosão ou outros danos.
5. Remova o corta-faíscas, se instalado, e verifique se apresenta danos ou obstruções de carbono. Certifique-se de limpar ou instalar as peças de reposição antes de operar o equipamento.
6. Se instalado, certifique-se de que as aletas do radiador de óleo estão limpas.

## Trocar o óleo do motor

### ADVERTÊNCIA



O combustível e os seus vapores são inflamáveis e explosivos. Incêndio ou explosão pode resultar em queimaduras ou morte.

Durante a operação, o motor e o silenciador ficam quentes. Se tocar num motor quente, poderão ocorrer queimaduras térmicas.

- Caso o óleo seja drenado pelo tubo de enchimento superior do depósito de combustível, este deve estar vazio. Se não estiver vazio, pode ocorrer vazamento de combustível e causar incêndio ou explosão.
- Antes de tocar no motor ou no silenciador, pare o motor e aguarde dois (2) minutos. Certifique-se de que o motor e o silenciador sejam seguros ao toque.

O óleo usado é um resíduo perigoso, que deve ser eliminado de forma adequada. Não deve ser jogado fora com o lixo normal. Contacte as suas autoridades locais, centro de assistência ou concessionário a existência de instalações de eliminação ou de reciclagem seguras.

Para modelos **Just Check & Add™**, uma mudança de óleo não é necessária. Se uma mudança de óleo for necessária, consulte o procedimento a seguir.

### Remover Óleo

1. Com o motor desligado mas ainda quente, desligue os fios da(s) vela(s) de ignição (D, Figura 21) e mantenha-o(s) afastado(s) da(s) vela(s) de ignição (E).
2. Remova a vareta (A, Figura 22).
3. O motor tem dois bujões de drenagem de óleo (H, F, Figura 23). Retire os bujões de drenagem de óleo (H, F). Drene o óleo para um recipiente aprovado.
4. Coloque e aperte os bujões de drenagem de óleo (F, Figura 23).

### Adicionar Óleo

- Certifique-se de que a unidade está nivelada.
- Limpe a área de enchimento do óleo de todo o material indesejado.
- Consulte a seção **Especificações** para a capacidade do cárter de óleo.

1. Remova a vareta. Consulte a seção **Remover o óleo**.
2. Adicione óleo lentamente pelo tubo de enchimento de óleo do motor (C, G, Figura 24). Não adicione demasiado óleo.
3. Espere um minuto e verifique o nível do óleo.
4. Instale a vareta.
5. Remova a vareta e verifique o nível do óleo. O nível do óleo correto está no topo do indicador na vareta do óleo. Consulte a seção **Verificar o nível do óleo**.
6. Instale e aperte a vareta novamente.
7. Ligue o(s) fio(s) da vela de ignição à(s) vela(s) de ignição. Consulte a seção **Remover o óleo**.

## Mudar óleo do redutor

Alguns motores estão equipados com uma unidade de redução de engrenagens. Se equipado, consulte os passos para uma das unidades de redução de engrenagens a seguir.

### 2:1 Unidade do redutor da corrente

Se o motor estiver instalado com uma unidade de redução de corrente 2:1 (G, Figura 25), não é necessária uma mudança de óleo. O óleo do motor também lubrifica a unidade redutora da corrente.

### Unidade de redutor de embraiagem húmida 2:1

Se o motor estiver equipado com uma unidade de redutor de embraiagem húmida 2:1, siga estes passos:

1. Remova a vareta (A, Figura 26).
2. Remova o bujão de drenagem de óleo (B, Figura 26) e esvazie o óleo para um recipiente aprovado.
3. Coloque e aperte o bujão de drenagem de óleo (B, Figura 26).
4. Adicione óleo lentamente pelo tubo de enchimento de óleo (C, Figura 26). Consulte a seção **Especificações**.
5. Coloque a vareta (A, Figura 26).
6. Remova a vareta do óleo (A, Figura 26) e verifique o nível do óleo. O nível do óleo correto está no topo do indicador (D) na vareta do óleo.
7. Coloque a vareta (A, Figura 26).

### Unidade do redutor 6:1

Se o seu motor estiver equipado com uma unidade de redução de engrenagens 6:1, siga os passos a seguir:

1. Remova o bujão do tubo de enchimento de óleo (A, Figura 27) e o bujão do nível de óleo (B).
2. Remova o bujão de drenagem de óleo (C, Figura 27) e esvazie o óleo para um recipiente aprovado.
3. Coloque e aperte o bujão de drenagem de óleo (C, Figura 27).
4. Adicione lentamente óleo de redução (80W-90) no orifício de abastecimento de óleo (D, Figura 27). Continue a adicionar óleo de redução (80W-90) até que o óleo saia pelo orifício de nível de óleo (E).
5. Coloque e aperte o bujão do nível de óleo (B, Figura 27).
6. Coloque e aperte o bujão do tubo de enchimento de óleo (A, Figura 27).

**NOTA:** O bujão do tubo de enchimento de óleo (A, Figura 27) dispõe de um orifício de ventilação (F) e tem de ser colocado no topo da tampa da caixa de engrenagens, como se mostra.

## Realizar a Assistência do Filtro de Ar

### ADVERTÊNCIA



Os vapores dos combustíveis são inflamáveis e explosivos. Incêndio ou explosão pode resultar em queimaduras ou morte.

- Nunca inicie o motor, nem o opere com o conjunto do purificador do ar (se instalado) ou o filtro de ar (se instalado) removidos.

### AVISO

Não use ar pressurizado, nem solventes para limpar o filtro. O ar pressurizado pode danificar o filtro e os solventes podem dissolver o filtro.

No **Plano de manutenção**, consulte os requisitos de assistência.

Diferentes modelos usarão espuma ou um filtro de papel. Alguns modelos podem ainda dispor de um pré-purificador opcional, que pode ser limpo e reutilizado. Compare as ilustrações do presente manual com o tipo de filtro instalado no seu motor e faça a manutenção do filtro conforme se descreve a seguir.

### Filtro do ar de papel

1. Desaperte o(s) fixador(es) (C, Figura 28).
2. Remova a tampa (A, Figura 28) e o filtro (B).
3. Para libertar os resíduos, bata ligeiramente com o filtro (B, Figura 28) numa superfície dura. Se o filtro estiver sujo, substitua-o por um filtro novo.
4. Coloque o filtro (B, Figura 28).
5. Instale a tampa (A, Figura 28) com o(s) fixador(es) (C). Certifique-se de que o(s) fixador(es) está(ão) apertado(s).

### Filtro de ar de papel - Baixo perfil

1. Mova o fecho (A, Figura 29) para desbloquear a tampa (C).
2. Empurre as abas (B, Figura 29) e remova a tampa (C).
3. Remova o filtro (D, Figura 29).
4. Para libertar os resíduos, bata ligeiramente com o filtro (D, Figura 29) numa superfície dura. Se o filtro estiver sujo, substitua-o por um filtro novo.
5. Coloque o filtro (D, Figura 29).
6. Coloque a cobertura (C, Figura 29). Mova o fecho (A) para a posição fechada.

**NOTA:** Verifique o ajuste do vedante de espuma (E, Figura 29). Certifique-se de que o vedante de espuma do perímetro está encaixado corretamente no canal (F).

## Manutenção do sistema de combustível

### ADVERTÊNCIA



O combustível e os seus vapores são inflamáveis e explosivos. Incêndio ou explosão pode resultar em queimaduras ou morte.

- Mantenha o combustível afastado de faíscas, chamas abertas, chamas piloto, calor e outras fontes de ignição.
- Examine frequentemente as linhas de combustível, o depósito de combustível, a tampa do combustível e as conexões quanto a rachaduras ou vazamentos. Substitua as peças danificadas.
- Se derramar combustível, aguarde até que este evapore antes de ligar o motor.

### Filtro de combustível, se instalado

1. Remova a tampa de combustível (A, Figura 30).
2. Remova o filtro de combustível (B, Figura 30).
3. Se o filtro de combustível estiver sujo, limpe-o ou substitua-o. Se substituir o filtro de combustível, tenha o cuidado de usar um filtro de combustível sobressalente original.

## Armazenamento

### Sistema de combustível

Consulte a Figura: 31.



#### ADVERTÊNCIA

O combustível e os seus vapores são inflamáveis e explosivos. Incêndio ou explosão pode resultar em queimaduras ou morte.

#### Armazenamento de combustível

- Armazene-os longe de fornalhas, fogões, aquecedores de água ou outros aparelhos que tenham chamas piloto ou outras fontes de ignição, porque estas podem incendiar os vapores do combustível.

Armazene o motor na posição horizontal (posição de funcionamento normal). Encha o depósito de combustível (A, Figura 31) com combustível. Para permitir a expansão do combustível, não encha acima do bocal do depósito de combustível (B).

O combustível pode ficar velho se for mantido num recipiente de armazenamento durante mais de 30 dias. Recomenda-se o uso de um estabilizador de combustível sem álcool e tratamento com etanol no recipiente de armazenamento de combustível para prevenir a degradação do combustível e para manter o combustível fresco.

Ao encher o recipiente de combustível com combustível, adicione um estabilizador de combustível sem álcool, conforme especificado pelas instruções do fabricante. Se a gasolina do motor não tiver sido tratada com um estabilizador de combustível, deve ser drenada para um recipiente aprovado. Opere o motor até que esteja sem combustível.

## Óleo do Motor

Enquanto o motor está quente, troque o óleo do motor. Consulte a secção *Mudar o óleo do motor*.

## Resolução de Problemas

### Assistência

Para obter assistência, contacte o seu revendedor local ou vá a [BRIGGSandSTRATTON.COM](http://BRIGGSandSTRATTON.COM) ou ligue para **1-800-444-7774** (nos EUA).

## Especificações e peças de substituição

Especificações	Modelo: 10V000	Modelo: 12V000
Cilindrada	10.313 ci (169 cc)	12.387 ci (203 cc)
Cilindro	2.44 pol (62 mm)	2.677 pol (68 mm)
Curso	2.204 pol (56 mm)	2.204 pol (56 mm)
Capacidade do Cáter de Óleo	18 - 20 oz (,54 - ,59 L)	18 - 20 oz (,54 - ,59 L)
Redutor de embraiagem húmida 2:1 - Tipo de óleo	10W-30	10W-30
Redutor de embraiagem húmida 2:1 - Capacidade de óleo	10 oz (,30 L)	10 oz (,30 L)
Redutor 6:1 - Tipo de óleo	80W-90	80W-90
Redutor 6:1 - Capacidade do cáter de óleo	4 oz (12 L)	4 oz (12 L)
Folga da Vela de Ignição	.030 pol (,76 mm)	.030 pol (,76 mm)
Binário da Vela de Ignição	180 lb-pol. (20 Nm)	180 lb-pol. (20 Nm)
Entreferro	.010 - .013 pol (,25 - ,35 mm)	.010 - .013 pol (,25 - ,35 mm)
Folga da Válvula de Admissão	.004 - .006 pol (,10 - ,15 mm)	.004 - .006 pol (,10 - ,15 mm)
Folga da Válvula de Escape	.005 - .007 pol (,15 - ,20 mm)	.005 - .007 pol (,15 - ,20 mm)

Especificações	Modelo: 25V000
Cilindrada	24.898 ci (408 cc)
Cilindro	3.465 pol (88 mm)
Curso	2.638 pol (67 mm)
Parafuso do suporte de montagem do cabo	30 lb-pol. (3,4 Nm)
Parafuso de retenção de arame	25 lb-pol. (2,8 Nm)
Capacidade do Cáter de Óleo	28 - 32 oz (,83 - ,95 L)
Folga da Vela de Ignição	.030 pol (,76 mm)

Especificações	Modelo: 25V000
Binário da Vela de Ignição	180 lb-pol. (20 Nm)
Entreferro	.010 - .013 pol (,25 - ,35 mm)
Folga da Válvula de Admissão	.004 - .006 pol (,10 - ,15 mm)
Folga da Válvula de Escape	.005 - .007 pol (,15 - ,20 mm)

A potência do motor diminuirá 3,5% a cada 300 metros (1000 pés) acima do nível do mar e 1% a cada 5,6 °C (10 °F) acima dos 25 °C (77 °F). O motor funcionará de forma satisfatória a um ângulo de até 30°. Consulte no manual do utilizador do equipamento os limites de autorizados para uma operação segura em declives.

### Peças de assistência

Para comprar peças de serviço Briggs & Stratton, encontre um Revendedor de Serviços Autorizado em [BRIGGSandSTRATTON.COM](http://BRIGGSandSTRATTON.COM). Vá precisar do seu número de identificação (modelo - tipo - acabamento). Consulte a secção **Características e controlos** para encontrar o número de identificação do seu motor.

## Classificações da Potência

A classificação de potência total para modelos individuais de motor a gasolina está de acordo com o código J1940 da SAE (Sociedade de Engenheiros Automóveis) Alimentação de motores de pequeno porte e procedimentos de classificação de torque e é classificada de acordo com a SAE J1995. Os valores de torque são derivados a 2600 rpm para os motores com "rpm" indicado na etiqueta e a 3060 rpm para todos os outros; os valores da potência em cavalos são derivados a 3600 rpm. As curvas de potência bruta podem ser vistas em [www.BRIGGSandSTRATTON.COM](http://www.BRIGGSandSTRATTON.COM). Os valores de potência útil são assumidos com a exaustão e purificador do ar instalados, enquanto os valores de potência bruta são recolhidos sem esses acessórios. A potência total do motor será maior que a potência útil do motor e é influenciada por, entre outras coisas, condições ambientais de funcionamento e a variabilidade de motor para motor. Devido à vasta gama de produtos em que os motores são utilizados, o motor a gasolina não irá desenvolver a potência total classificada quando utilizado num determinado equipamento eléctrico. Esta diferença deve-se a uma variedade de factores incluindo, mas não se limitando a, variedade de componentes de motor (purificador do ar, exaustão, carregador, arrefecimento, carburador, bomba do combustível, etc.), limitações de aplicação, condições ambientais de funcionamento (temperatura, humidade, altitude) e a variabilidade de motor para motor. Devido às limitações de fabrico e de capacidade, a Briggs & Stratton pode substituir um motor de potência superior por este motor.

## Garantia

### Garantia do Motor Briggs & Stratton®

Em vigor em março de 2023

#### Garantia limitada

A Briggs & Stratton garante que, durante o período de garantia especificado abaixo, irá reparar ou substituir gratuitamente qualquer peça que esteja com defeito de material ou de fabricação, ou ambos, com ou por uma peça nova, recondicionada ou refeita, a critério exclusivo da Briggs & Stratton. Os encargos com o transporte do produto submetido para reparação ou substituição, ao abrigo desta garantia, devem ser suportados pelo comprador. Esta garantia é efetiva e está sujeita aos períodos de tempo e às condições abaixo referidas. Para aceder ao serviço de garantia, contacte o revendedor de serviços autorizado mais próximo indicado no nosso mapa de localizador de revendedor em [BRIGGSandSTRATTON.COM](http://BRIGGSandSTRATTON.COM). O comprador deve contactar o revendedor de serviços autorizado, e então disponibilizar o produto para o revendedor de serviços autorizado fazer a inspeção e testes.

**Não existe qualquer outra garantia expressa. As garantias implicadas, incluindo as referentes à comercialização e manutenção com um objetivo em particular, estão limitadas a um ano a contar do momento da aquisição, ou ao que for permitido por lei. Todas as outras garantias implícitas estão excluídas. Exclui-se a responsabilidade por danos incidentais ou consequenciais de acordo com o permitido por lei.** Alguns estados ou países não permitem limitações quanto à duração de uma garantia implícita e alguns estados e países não permitem a exclusão ou limitação de danos incidentais ou consequenciais, por isso a limitação e exclusão acima podem não se aplicar ao seu caso. Esta garantia concede-lhe direitos legais específicos. Também poderá ter outros direitos que variam de Estado para Estado, ou de país para país.

### Condições Normais da Garantia<sup>1, 2</sup>

Vanguard®, Série CXi

Uso privado - 36 meses

Uso comercial - 36 meses

Série XR

Uso privado - 24 meses

Uso comercial - 24 meses

Todos os outros motores com camisa de ferro fundido Dura-Bore™

<b>Condições Normais da Garantia</b> <sup>1, 2</sup>
Uso privado - 24 meses
Uso comercial - 12 meses
<b>Todos os outros motores</b>
Uso privado - 24 meses
Uso comercial - 3 meses

<sup>1</sup> Estas são as nossas condições normais de garantia, mas ocasionalmente pode aplicar-se uma cobertura adicional da garantia não definida à data da publicação. Para obter uma relação das atuais condições da garantia para o seu motor, consulte BRIGGSandSTRATTON.com ou contacte o seu revendedor de serviços autorizado Briggs & Stratton.

<sup>2</sup> Não há qualquer garantia para motores em equipamento utilizado para potência primária em vez de uma utilidade; ou para geradores de reserva utilizados para fins comerciais, veículos utilitários a mais de 40 km/h, ou motores utilizados em competições ou em veículos comerciais ou de aluguer.

O período de garantia começa na data da aquisição do primeiro consumidor de retalho ou utilizador final comercial e continua durante o período referido acima. "Uso privado" significa a utilização doméstica e pessoal do agregado familiar por um consumidor final. "Uso comercial" refere-se a todas as outras utilizações incluindo as utilizações com objetivos comerciais, de produzir rendimento ou de aluguer. No âmbito desta garantia, após a utilização de um produto para fins comerciais, este será considerado um produto para uso comercial.

**Não é necessário qualquer registo de garantia para obter garantia em produtos de marca Briggs & Stratton. Guarde o recibo da compra como comprovativo. Se não fornecer o comprovativo da data de aquisição inicial no momento em que é pedida a assistência de garantia, será considerada a data de fabrico do produto para determinar o período de garantia.**

#### **Sobre a sua garantia**

Esta garantia limitada abrange exclusivamente materiais relativos ao motor e/ou mão-de-obra, e não a substituição ou o reembolso do equipamento no qual o motor está montado. As intervenções de manutenção de rotina, as afinações, os ajustes, ou normal desgaste e rutura não estão abrangidos por esta garantia. De igual modo, a garantia não se aplica se o motor tiver sido alterado ou modificado ou se o número de série do motor tiver sido adulterado ou removido. Esta garantia não abrange danos do motor ou problemas de desempenho causados por:

1. Utilização de peças que não são originais da Briggs & Stratton;
2. funcionamento do motor com óleo lubrificante insuficiente, contaminado ou de qualidade inadequada;
3. Uso de combustível contaminado ou fora do prazo, gasolina formulada com mais de 10% de etanol, ou recurso a combustíveis alternativos como gás de petróleo liquefeito ou gás natural em motores não concebidos/fabricados de origem pela Briggs & Stratton para funcionar com estes combustíveis;
4. Sujidade que tenha penetrado no motor devido a deficiências na manutenção ou montagem do purificador de ar;
5. Golpe num objecto provocado pela lâmina de corte de um cortador de relva rotativo, adaptadores de lâminas soltos ou mal montados, rotores, ou outros dispositivos acoplados à cambota, ou aperto excessivo da correia em V;
6. Peças ou montagens associadas como embraiagens, transmissões, controlos do equipamento, etc., não fornecidos pela Briggs & Stratton;
7. Sobreaquecimento devido a pedaços de erva, sujidade e resíduos, ou ninhos de roedores que entopem ou colmatam as aletas de arrefecimento ou a área do volante do motor, ou por operação do motor sem ventilação suficiente;
8. Demasiada vibração devida a velocidade excessiva, montagem do motor mal apertada, lâminas de corte ou rotores soltos ou desequilibrados, ou acoplagem deficiente de componentes do equipamento à cambota;
9. Má utilização, falta de manutenção de rotina, transporte, manuseamento, ou armazenagem do equipamento, ou montagem inadequada do motor.

O serviço de garantia apenas se encontra disponível através dos revendedores de serviços autorizados Briggs & Stratton. Localize o seu revendedor de serviços autorizado mais próximo no nosso mapa de localizador de revendedor em BRIGGSandSTRATTON.COM ou ligando para 1-800-444-7774 (nos EUA).

80114782 (Revisão B)

## **Briggs & Stratton Emissions Warranty**

### **Manufacturer's Warranty Coverage:**

The exhaust emissions control system on your engine is warranted for two years. If any emissions-related part on your engine is defective, the part will be repaired or replaced by B&S.

### **Owner's Warranty Responsibilities:**

- As the engine owner, you are responsible for the performance of the required maintenance listed in your owner's manual. B&S recommends that you retain

all receipts covering maintenance on your engine, but B&S cannot deny warranty coverage solely for the lack of receipts or for your failure to ensure the performance of all scheduled maintenance.

- As the engine owner, you should however be aware that B&S may deny you warranty coverage if your engine or a part has failed due to abuse, neglect, or improper maintenance or unapproved modifications.
- You are responsible for presenting your engine to a B&S distribution center or service center as soon as the problem exists. The warranty repairs shall be completed in a reasonable amount of time, not to exceed 30 days. If you have a question regarding your warranty rights and responsibilities, you should contact B&S at 1-800-444-7774 (in USA) or BRIGGSandSTRATTON.COM.

80130178 Revision A



## Allmän information



Denna bruksanvisning innehåller säkerhetsinformation om risker i samband med motorn och hur de kan förhindras. Den innehåller även information om korrekt användning och underhåll av motorn. Det är viktigt att du läser igenom, förstår och följer dessa instruktioner. **Spara bruksanvisningen för framtida bruk.**

**ANM.:** Bilder och illustrationerna i bruksanvisningen är enbart avsedda för information och kan avvika från din modell. Använd de bilder som anges för din motorkonfiguration. Rådfråga om nödvändigt en auktoriserad serviceverkstad.

Spara uppgifterna om motorns modell, serienummer, inställning och inköpsdatum för att skaffa reservdelar och teknisk hjälp. Dessa nummer finns på motorn. Se avsnittet **Funktioner och reglage.**

Inköpsdatum	
Motorns modell, serienummer och inställning	
Motorns serienummer	

## Kontaktuppgifter till vårt Europa-kontor

Vid frågor relaterade till utsläpp i Europa, kontakta vårt Europa-kontor på adressen:

Max-Born-Straße 2, 68519 Viernheim, Tyskland.

## Europeiska unionen (EU) steg V (5): Koldioxidvärden (CO2)

Ange CO2 i sökfönstret på BriggsandStratton.com för att hitta koldioxidvärden för Briggs & Strattons typgodkända motorer för EU.

## Förarens säkerhet

### Säkerhetssymboler och signalord



Varningssymbolen indikerar information om risker som kan leda till personskador. Signalorden (**FARA**, **VARNING** eller **FÖRSIKTIGHET**) används för att indikera sannolikheten och den potentiella svårighetsgraden av skada. Därutöver används en farosymbol för att indikera typ av fara.

**FARA** indikerar en risk som, om den inte undviks, **kommer att** leda till allvarliga personskador eller dödsfall.

**VARNING** indikerar en risk som, om den inte undviks, **kan** leda till allvarlig personskada eller dödsfall.

**FÖRSIKTIGHET** indikerar en risk som, om den inte undviks, **kan** leda till lindrig eller måttlig personskada.

**OBS** anger viktig information, som dock inte anses kopplad till fara.

### Farosymboler och deras innebörd

Säkerhetsinformation om faror som kan leda till personskador.	Läs och sätt dig in i handboken innan du använder eller servar enheten.
Risk för brand	Explosionsrisk
Risk för elstöt	Risk för giftiga gaser
Risk för heta ytor	Risk för bakslag
Amputeringsrisk - Rörliga delar	Bränslenivå - Maximal Överfyll inte

## Säkerhetsmeddelanden



### VARNING

Briggs & Stratton®-motorerna är inte konstruerade för att användas vid drivning av gokartbilar, barn-, fritids- och sportfordon för terrängkörning (ATV:er), motorcyklar, svävare, flygande apparater eller fordon som används för tävlingsbruk vilka inte har godkänts av Briggs & Stratton. För information om konkurrerande tävlingsprodukter, se [www.briggsracing.com](http://www.briggsracing.com). För användning med bruksterrängfordon och tvåsitsiga ATV:er, kontakta Briggs & Stratton Power Application Center, 1-866-927-3349. Olämplig användning av motorn kan leda till allvarliga personskador eller dödsfall.

## Återvinningsinformation



Återvinn alla kartonger, lådor, använd olja och batterier i enlighet med tillämplig lagstiftning.

## Funktioner och reglage

### Motorreglage

Jämför indexbokstäverna i bild 1, 2 och 3 med motorreglagen i följande lista:

- A. Motorbeteckning **Modell - Typ - Kod**
- B. Tändstift
- C. Bränsletank och lock
- D. Luftrenare
- E. Startmotornsörets handtag
- F. Oljemätsticka
- G. Oljepåfyllning
- H. Oljeavtappingsplugg
- I. Ljuddämpare, ljuddämparskydd (om sådant finns), gnistskydd (om sådant finns)
- J. Gasreglage/Bränsleavstängning/TransportGuard™
- K. Chokereglage
- L. Luftintagsgaller
- M. Elstartbrytare (om sådan finns)
- N. Reduktionsenhet (om sådan finns)

Vissa motorer och maskiner har fjärreglage. Se bruksanvisningen angående delars placering och användning.

## Motorreglagesymboler och deras innebörd

Motorvarvtal - HÖGT	Motorvarvtal - LÅGT
Motorvarvtal - STOPP	PÅ - AV
Start av motor Choke STÄNGD	Start av motor Choke ÖPPEN
Tanklock Bränslekran ÖPPEN	Bränslekran STÄNGD

## Montering

### Konvertering av gasreglage

Standardmotorn har ett manuellt gasreglage. Montera ett fjärrgasreglage eller konvertera till en konstant varvtal för att använda det manuella gasreglaget. Följ instruktionerna som följer här.

**ANM.:** Motorns varvtal måste korrigeras enligt utrustningstillverkarens prestandaspecifikationer. Kontakta en auktoriserad Briggs & Stratton serviceverkstad för att få hjälp.

## Manuellt gasreglage

1. Flytta spaken för gasreglaget/TransportGuard® (A, bild 4) till läget AV.
2. Ta ut fjädern (S, bild 4).

## Fjärrstyrt gasreglage med flätad vajer

Ett fjärrstyrt gasreglage med flätad vajer kan monteras i en av två alternativa riktningar: **Mot topplocket** eller **framåt**.

### Mot topplocket

1. Flytta spaken för gasreglaget/TransportGuard™ (A, bild 5) till läget AV.
2. Använd en 10 mm skiftnyckel för att lossa muttern (P, bild 5) ett ½ varv på spaken för gasreglaget/TransportGuard® (A).
3. Håll vajermonteringsmuttern (J, bild 6) med en 10 mm skiftnyckel och lossa skruven (K).
4. Montera vajern (L, bild 6) genom hålet i vajermonteringsmuttern (J) och dra åt skruven (K). Se till att vajern (L) inte sticker ut mer än ½ tum (12,7 mm) från hålet.
5. Lossa skruven (I, bild 6). Fäst vajermanteln (N) nedanför klämman (M) och dra åt skruven (I).
6. Kontrollera det fjärrstyrda gasreglagets funktion. Flytta fjärrgasreglaget mellan långsam och snabb 2–3 gånger. Kontrollera att det fjärrstyrda gasreglaget och vajern (L, bild 6) rör sig fritt. Justera muttern (P, bild 7) såsom krävs för önskad position.

### Framifrån

1. Justera gasreglaget/TransportGuard™ :
  - a. **För 10V000- och 12V000-motormodeller:** Flytta spaken för gasreglaget/TransportGuard™ (A, bild 8) till läget SNABBT.
  - b. **För 25V000-motormodeller:** Flytta spaken för gasreglaget/TransportGuard™ (A, bild 8) till läget AV.
2. Använd en 10 mm skiftnyckel för att lossa muttern (P, bild 7) ett ½ varv på spaken för gasreglaget/TransportGuard® (A).
3. Håll vajermonteringsmuttern (J, bild 8) med en 10 mm skiftnyckel och lossa skruven.
4. Montera vajern (L, bild 8) genom hålet i vajermonteringsmuttern (J) och dra åt skruven (K). Se till att vajern (L) inte sticker ut mer än ½ tum (12,7 mm) från hålet.
5. Lossa skruven (I, bild 8). Fäst vajermanteln (N) nedanför klämman (M) och dra åt skruven (I).
6. Kontrollera det fjärrstyrda gasreglagets funktion. Flytta fjärrgasreglaget mellan långsam och snabb 2–3 gånger. Kontrollera att det fjärrstyrda gasreglaget och vajern (L, 8) rör sig fritt. Justera muttern (P, bild 7) såsom krävs för önskad position.

## Fjärrstyrt gasreglage med massiv tråd

Ett fjärrstyrt gasreglage med stel vajer kan monteras i en av fyra riktningar: **Mot topplocket**, **framåt**, **åt vänster**, eller **höger**.

### Mot topplocket

1. Flytta spaken för gasreglaget/TransportGuard® (A, bild 9) till läget AV.
2. Ta ut fjädern (S, bild 9).
3. Flytta spaken för gasreglaget/TransportGuard® (A, bild 9) till läget SNABBT.
4. Använd en 10 mm skiftnyckel för att lossa muttern (P, bild 4) ett 1/2 varv på spaken för gasreglaget/TransportGuard® (A).
5. Montera den stela vajerns Z-anslutning (Q, bild 9) till ett av de små hålen i vinkelhävvarmen (R).
6. Lossa skruven (I, bild 9). Fäst vajermanteln (N) nedanför klämman (M) och dra åt skruven (I).
7. Kontrollera det fjärrstyrda gasreglagets funktion. Flytta gasreglaget mellan långsam och snabb 2–3 gånger. Kontrollera att det fjärrstyrda gasreglaget och vajern (L, bild 9) rör sig fritt. Justera muttern (P, bild 4) såsom krävs för önskad position.

### Framifrån

1. Flytta spaken för gasreglaget/TransportGuard® (A, bild 10) till läget AV.
2. Ta ut fjädern (S, bild 10).
3. Flytta spaken för gasreglaget/TransportGuard® (A, bild 10) till läget SNABBT.
4. Använd en 10 mm skiftnyckel för att lossa muttern (P, bild 4) ett 1/2 varv på spaken för gasreglaget/TransportGuard® (A).
5. Montera den stela vajerns Z-anslutning (Q, bild 10) till ett av de två små hålen i vinkelhävvarmen (R).
6. Lossa skruven (I, bild 10). Fäst vajermanteln (N) nedanför klämman (M) och dra åt skruven (I).

7. Kontrollera det fjärrstyrda gasreglagets funktion. Flytta fjärrgasreglaget mellan långsam och snabb 2–3 gånger. Kontrollera att det fjärrstyrda gasreglaget och vajern (L, bild 10) rör sig fritt. Justera muttern (P, bild 4) såsom krävs för önskad position.

### Från vänster

1. Flytta spaken för gasreglaget/TransportGuard® (A, bild 11) till läget AV.
2. Ta ut fjädern (S, bild 4).
3. Flytta spaken för gasreglaget/TransportGuard® (A, bild 11) till läget SNABBT.
4. Använd en 10 mm skiftnyckel för att lossa muttern (P, bild 4) ett ½ varv på spaken för gasreglaget/TransportGuard® (A, bild 11).
5. Flytta gasreglagets vrede (W, bild 11) för att komma åt det lilla hålet (S).
6. Montera den stela vajerns Z-anslutning (L, bild 11) till det lilla hålet (S) i gasreglagets spak (A).
7. Lossa skruven (I, bild 11). Fäst vajermanteln (N) nedanför klämman (M) och dra åt skruven (I).
8. Kontrollera det fjärrstyrda gasreglagets funktion. Flytta fjärrgasreglaget mellan långsam och snabb 2–3 gånger. Kontrollera att det fjärrstyrda gasreglaget och vajern (L, bild 11) rör sig fritt. Justera muttern (P, bild 4) såsom krävs för önskad position.

### Från höger

För montering av fjärrstyrt gasreglage från rätt håll krävs en monteringskonsol (U, bild 12). Se avsnittet **Specifikationer och reservdelar** för att ta reda på artikelnummer. Kontakta en auktoriserad Briggs & Stratton Authorized serviceverkstad för beställning av monteringskonsol.

1. Flytta spaken för gasreglaget/TransportGuard® (A, bild 12) till läget AV.
2. Ta ut fjädern (S, bild 4).
3. Flytta gasreglagets vrede (W, bild 12) så att det lilla hålet syns (S).
4. Flytta spaken för gasreglaget/TransportGuard® (A, bild 12) till läget SNABBT.
5. Använd en 10 mm skiftnyckel för att lossa muttern (P, bild 4) ett 1/2 varv på spaken för gasreglaget/TransportGuard® (A, 12).
6. Montera den stela vajerns Z-anslutning (L, bild 12) till det lilla hålet (S) i gasreglagets spak (A).
7. Ta bort bulten (T, bild 12). Montera reglagearmen (U) så som visas. Fäst monteringskonsolen för vajern (U) med bulten (T). Dra åt bulten (T) till 30 tum-lb (3,4 Nm). Se avsnittet **Specifikationer och reservdelar**.
8. Lossa skruven (I, bild 12). Fäst vajermanteln (N) nedanför klämman (M) och dra åt skruven (I).
9. Kontrollera det fjärrstyrda gasreglagets funktion. Flytta fjärrgasreglaget mellan långsam och snabb 2–3 gånger. Kontrollera att det fjärrstyrda gasreglaget och vajern (L, bild 12) rör sig fritt. Justera muttern (P, bild 4) såsom krävs för önskad position.

## Konstantvarvtal (ingen gasreglagetråd eller vajer)

Vid konvertering till ett **konstant motorvarvtal** installeras ingen gasreglagevajer och inget hastighetsval finns. Det enda motorvarvtalet är SNABBT.

1. Flytta spaken för gasreglaget/TransportGuard® (A, bild 13) till läget AV.
2. Ta ut fjädern (S, bild 13).
3. Flytta spaken för gasreglaget/TransportGuard® (A, bild 13) till läget SNABBT.
4. Se till att kabelhållarskruven (V, bild 13) passar i hålet i fästet. Dra åt skruven (V) till 25 tum-lb (2,8 Nm).
5. Ta bort styrlänken (H, bild 13).

**ANM.:** Spaken för gasreglaget/TransportGuard® kommer nu bara att ha två lägen: STOPP och KÖR.

6. Montera den nya PÅ/AV TransportGuard®-etiketten (O, bild 14) över den befintliga etiketten för varvtalsreglering på trimpanelen (F).

# Körning



## VARNING

Bränsleångorna är lättantändliga och explosiva. Brand eller explosion kan orsaka brännskador eller dödsfall.

### Om du känner gaslukt

- Starta inte motorn.
- Slå inte på några strömbrytare.
- Använd inte telefoner inom området.
- Evakuera området.
- Kontakta brandkåren.

### När du kör utrustningen

- Luta inte motorn eller utrustningen i en sådan vinkel att bränsle spills ut.

### När du flyttar utrustningens placering

- Se till att bränsletanken är TOM eller att bränsleventilen sår i läget STÄNGD.

## Kontrollera oljenivån

### Före kontroll av oljenivå eller påfyllning av olja

- Se till att motorn står horisontellt.
- Rengör oljeområdet från skräp.
- Se avsnittet **Specifikationer** för oljevolymer.

### MÅRK

Motorn levereras från Briggs & Stratton utan olja. Vissa utrustningstillverkare eller återförsäljare kan ha fyllt på motorn med olja. Kontrollera oljenivån innan du startar motorn för första gången. Fyll på olja enligt instruktionerna i denna handbok. Om du startar motorn utan olja kommer den att skadas och då täcker inte garantin reparationen.

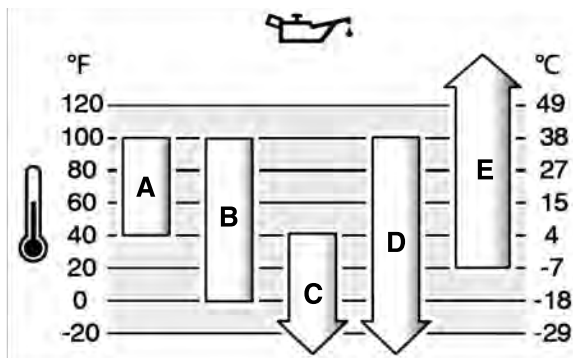
1. Ta ut oljesticken (A, bild 15) och torka av den med en trasa.
2. Sätt i och dra åt oljesticken (A, bild 15).
3. Ta ut oljemätstickan och kontrollera oljenivån. Kontrollera att oljenivån når upp till fullmarkeringen (B, bild 15) på oljesticken.
4. Motorn har två oljepåfyllningsöppningar (C, G, bild 16). Om oljenivån är låg ska du långsamt fylla på olja i oljepåfyllningsöppningen (C, G). Fyll inte på för mycket olja. Efter påfyllning av olja ska du vänta en minut och därefter kontrollera oljenivån. Se till att oljenivån är korrekt.
5. Sätt i och dra åt oljesticken (A, bild 15).

## Oljerekommendationer

Oljevolymer: Se avsnittet **Specifikationer**.

För bästa prestanda rekommenderar vi Briggs & Stratton® garanticertifierade olja. Annan renande olja av hög kvalitet som är godkänd enligt SF, SG, SH, SJ eller högre kvalitetsnorm kan användas. Använd inga specialtillsatser.

Se tabellen för val av rätt viskositet för förväntad utomhustemperatur. Motorer på de flesta utomhusmaskiner fungerar bra med syntetolja 5W-30. Om utrustningen körs vid hög temperatur ger syntetoljan Vanguard® 15W-50 det bästa skyddet.



A	SAE 30 - Under 40 °F (4 °C) kan SAE 30 göra motorn svårstartad.
B	10W-30 - Över 80 °F (27 °C) kan 10W-30 orsaka högre oljeförbrukning. Kontrollera oljenivån ofta.
C	5W-30
D	Syntetolja 5W-30
E	Vanguard® syntetolja 15W-50

## Skydd mot för låg oljenivå (om sådant finns)

Vissa motorer är utrustade med en sensor för låg oljenivå. Om oljenivån är låg kommer sensorn antingen att visa en varningslampa eller stanna motorn. Stanna motorn och följ stegen nedan innan du startar motorn igen.

- Se till att motorn står horisontellt.
- Kontrollera oljenivån. Se avsnittet **Kontrollera oljenivån**.
- Fyll på rätt mängd olja om oljenivån är låg. Starta motorn och kontrollera att varningslampan (om sådan finns) inte lyser.
- Om oljenivån inte är låg ska motorn inte startas. Kontakta en Briggs & Stratton- auktoriserad serviceverkstad för att justera oljeproblemet.

## Bränslerekommendationer

### Bränslet måste uppfylla följande krav:

- Ren, färsk, blyfri bensin.
- Minst 87 oktan/87 AKI (91 RON). Användning på hög höjd, se nedan.
- Bensin med upp till 10 % etanol kan användas.

### MÅRK

Använd inte bensin som inte godkänts, t.ex. E15 och E85. Blanda inte olja i bensinen och gör inga ändringar i motorn för körning på alternativa bränslen. Användning av icke-godkända bränslen kan skada motorns delar och detta täcks inte av garantin.

För att skydda bränslesystemet från att det bildas gummi eller att korrosion uppstår, blanda i en alkoholfri bränslestabilisator och etanolbehandling i bränslet. Se avsnittet **Förvaring**. Allt bränsle är inte likadant. Om problem uppstår med start eller prestanda, byt bränsleleverantör eller bränslemärke. Denna motor är kalibrerad för drift med bensin. Avgaskontrollsystemet för motorer med förgasare är EM (motormodifieringar). Avgaskontrollsystemen för motorer med elektronisk bränsleinsprutning är ECM (motorkontrollmodul), MFI (flerinsprutningssystem), TBI (gasspjällshus bränsleinsprutning) och om tillämpligt en O2S (syresensor).

### Hög höjd

På höjder över 5 000 fot (1 524 meter) kan bensin med minst 85 oktan/85 AKI (89 RON) användas.

För förgasarmotorer krävs justering för körning på hög höjd för oförändrad prestanda. Användning utan denna justering leder till sämre prestanda, högre bränsleförbrukning och högre utsläpp. Kontakta en auktoriserad serviceverkstad för Briggs & Stratton för information om justering för hög höjd. Motorn bör inte köras på höjder under 2 500 fot (762 meter) med höghöjdsjustering.

Motorer med elektronisk bränsleinjektion (EFI) behöver inte justeras för hög höjd.

## Fylla på bränsle



### VARNING

Bränslet och dess ångor är brandfarliga och kan explodera. Brand eller explosion kan orsaka brännskador eller dödsfall.

### När du fyller på bränsle

- Stäng av motorn. Innan du tar av bränslelocket, vänta i minst två (2) minuter för att se till att motorn har svalnat.
  - Fyll på bränsletanken utomhus eller i ett område med bra luftflöde.
  - Överfyll inte bränsletanken. För att bränslet ska kunna expandera får inte mer bränsle fyllas på än till nederkanten av bränsletankens hals.
  - Förvara bränsle på avstånd från gnistor, öppen eld, gaskök, värme- och andra antändningskällor.
  - Kontrollera ofta att det inte finns sprickor eller läckor på bränsleledningar, tank, lock och kopplingar. Byt ut skadade delar.
  - Låt utspillt bränsle torka först innan du startar motorn.
1. Rengör området runt tanklocket från smuts och skräp. Ta bort tanklocket.
  2. Fyll på bränsletanken (A, bild 17) med bränsle. Eftersom bränsle kan expandera får inte mer bränsle fyllas på än till nederkanten av bränslepåfyllningsröret (B).
  3. Sätt på tanklocket.

## Starta motorn



### VARNING

**VARNING FÖR GIFTIG GAS.** Avgaser från motorn innehåller koloxid, en giftig gas som kan döda på bara några minuter. Även om du inte känner lukten av avgaser, kan du ändå utsättas för farlig koloxid. Sök dig till frisk luft OMEDELBART om du känner dig illamående, yr eller matt när du använder produkten. Uppsök läkare. Du kan vara koloxidförgiftad.

- Koloxid kan samlas i vistelseutrymmen. Ha produkten igång ENDAST utomhus och långt från fönster, dörrar och ventiler för att minska risken för att koloxid samlas.
- Montera batteridrivna koloxidlarm eller eldrivna koloxidlarm med reservbatteri enligt tillverkarens instruktioner. Brandlarm kan inte detektera koloxid.
- Ha INTE produkten igång inomhus, i garage, källare, kryputrymmen, skjul eller andra slutna utrymmen, även om det finns fläktar eller öppna dörrar och fönster för ventilation. Efter att produkten har varit igång kan koloxid snabbt samlas i den här typen av utrymmen och stanna kvar i många timmar.
- Placera ALLTID denna produkt i lä och rikta avgasröret bort från vistelseutrymmen.



### VARNING

**Bränslet och dess ångor är brandfarliga och kan explodera. Brand eller explosion kan orsaka brännskador eller dödsfall.**

#### När du startar motorn

- Kontrollera att tändstift, ljuddämpare, tanklock och luftrenare (om sådan finns) är korrekt monterade.
- Dra inte runt motorn om tändstiftet är borttaget.
- Om motorn flödar ska du sätta choken (om sådan finns) i läget ÖPPNA/KÖR. Flytta chokereglaget (om sådant finns) till läget SNABBT och dra igång motorn tills den startar.
- Starta inte motorn om det finns naturgas eller flytande gasbränsle som läcker i området.
- Använd inte trycksatta startvätskor eftersom ångorna är lättantändliga.



### VARNING

**Roterande delar kan snärja in händer, fötter, hår, klädesplagg eller tillbehör och orsaka svåra skärskador eller lemlästning.**

- Kör utrustningen med skydden ordentligt på plats.
- Håll händer och fötter på avstånd från snurrande delar.
- Avlägsna smycken och se till att långt hår inte kommer i närheten av roterande delar.
- Bär inte löst sittande kläder eller andra föremål som kan trassla in sig.



### VARNING

**Genom snabb indragning av startsnöret (bakslag) dras din hand och arm mot motorn innan du hinner släppa taget. Det kan leda till frakturer, blåmärken och stukningar.**

- Starta motorn genom att först dra ut startsnöret långsamt tills ett motstånd känns och sedan snabbt för att undvika bakslag.
- Koppla ur eller ta bort all extern utrustning och motorbelastning innan du startar motorn.
- Se till att direktkopplade utrustningsdelar som t.ex. blad, impeller, remskivor, kuggkransar osv. är ordentligt fästa.

**ANM.:** Utrustningen kan eventuellt ha fjärreglage. Se i utrustningens handbok var fjärreglagen är placerade och hur de används.

1. Kontrollera motoroljan. Se avsnittet **Kontrollera oljenivån**.
2. Se till att utrustningens drivreglage, om sådana finns, är urkopplade.
3. För spaken för gasreglaget/TransportGuard® (A, bild 18) i förekommande fall läget SNABBT eller KÖR. Kör motorn i läget SNABBT eller KÖR.
4. Ställ chokereglaget (B, bild 18) i läget STÄNGD.

Choken behövs vanligtvis inte när du startar en varm motor.

5. **Snörstart, om sådan finns:** Håll i startsnörets handtag (C, bild 18) med ett stadigt grepp. Dra långsamt i handtaget på startsnöret tills det tar emot och dra sedan snabbt.



### VARNING

**Genom snabb indragning av startsnöret (bakslag) dras din hand och arm mot motorn innan du hinner släppa taget. Det kan leda till frakturer, blåmärken och stukningar.**

- Starta motorn genom att först dra ut startsnöret långsamt tills ett motstånd känns och sedan snabbt för att undvika bakslag.
- Koppla ur eller ta bort all extern utrustning och motorbelastning innan du startar motorn.
- Se till att direktkopplade utrustningsdelar som t.ex. blad, impeller, remskivor, kuggkransar osv. är ordentligt fästa.

6. **Elstart, om sådan finns:** Vrid elstartbrytaren (D, bild 18) till lägen START.

### MÄRK

För att öka startmotorns livslängd ska den bara köras i korta cykler (högst fem sekunder). Vänta en minut mellan startförsöken.

7. Flytta chokereglaget (B, bild 18) successivt till läget ÖPPNA medan motorn varmkörs.

Om motorn inte startar efter 2 eller 3 försök, kontakta närmaste återförsäljare eller gå till [vanguardpower.com](http://vanguardpower.com) eller ring 1-800-999-9333 (i USA).

## Stanna motorn



### VARNING

**Bränslet och dess ångor är brandfarliga och kan explodera. Brand eller explosion kan orsaka brännskador eller dödsfall.**

- Choka inte förgasaren (om sådan finns) för att stanna motorn.

**Gasreglage/TransportGuard®:** Flytta gasreglaget/TransportGuard® (A, bild 19) till läget AV eller STOPP.

**ANM.:** När gasreglaget/TransportGuard® (A, bild 19) är i läget AV eller STOPP, är bränsleventilen i läget AV. Ställ alltid gasreglaget/TransportGuard® i läget AV eller STOPP vid transport av utrustningen.

**ANM.:** Nyckeln (D, bild 19) används inte för att stanna motorn. Den används ENDAST för att starta motorn. Ta alltid ur nyckeln (D) och förvara den på en säker plats utom räckhåll för barn.

## Underhåll Underhållsinformation



### VARNING

**Bränslet och dess ångor är brandfarliga och kan explodera. Brand eller explosion kan orsaka brännskador eller dödsfall.**

Om enheten måste tippas under underhållsarbetet, se till att bränsletanken (om den är monterad på motorn) är tom och att tändstiftssidan är uppåtvänd. Om bränsletanken inte är tom, kan bränsle läcka ut och orsaka brand eller explosion. Om motorn tippas åt något annat håll, kan den vara svår att starta på grund av att det har kommit olja eller bränsle på luftfiltret och/eller tändstiftet.



### VARNING

**Gnistor från motorn kan orsaka elstötar, brand eller explosion och kan leda till intrassling, lemlästning eller skärskador.**

#### Innan du gör några justeringar eller reparationer:

- Lossa tändstiftskablarna och håll dem borta från tändstiften.
- Koppla bort batterikabeln från batteriets minuspol (endast motorer med elstart).
- Använd endast lämpliga verktyg.

#### När du kontrollerar tändningssystemet:

- Använd en godkänd gnistprovare.
- Kontrollera inte tändstiftets gnista med tändstiftet bortmonterat.



## VARNING

Alla komponenter som användes för att montera denna motor måste sitta på sin ursprungliga plats för att den ska fungera korrekt. Skada eller personskada kan inträffa om du använder felaktiga delar eller om du inte byter ut alla delar på motorn.

- Utbytesdelarna måste vara av samma konstruktion och installeras i samma position som de ursprungliga delarna.
- Om de är installerade, gör inga ändringar på regulatorfjädrar, länkar eller andra delar för att öka motorens varvtal.

## MÄRK

Alla de komponenter som använts för att bygga denna motor måste sitta på plats för korrekt körning.

Vi rekommenderar att en Briggs & Stratton auktoriserad serviceverkstad anlitas för allt underhåll och service av motorn och dess delar.

## Utsläppskontrollservice

För underhåll, byte eller reparation av anordningar och system för avgasreglering, kontakta en kvalificerad reparationsverkstad eller servicetekniker för motorer som inte är avsedda att köras på vägar. För service av utsläppsreglering utan kostnad måste arbetet utföras av en av tillverkaren auktoriserad återförsäljare. Se Instruktioner om utsläppskontroll.

## Underhållsschema

<b>Första 5 timmarna</b>
<ul style="list-style-type: none"> <li>• Byta olja.</li> </ul>
<b>Intervall på 8 timmar eller dagligen</b>
<ul style="list-style-type: none"> <li>• Kontrollera motorens oljenivå.</li> <li>• Rengör området omkring ljuddämparen och reglagen.</li> <li>• Rensa luftintagsgallret.</li> </ul>
<b>Intervall på 100 timmar eller årligen</b>
<ul style="list-style-type: none"> <li>• Serva avgassystemet.</li> <li>• Byt oljan i reduktionsenheten (om sådan finns).</li> </ul>
<b>Intervall på 200 timmar eller årligen</b>
<ul style="list-style-type: none"> <li>• Byt motorolja.</li> <li>• Rengör luftfiltret<sup>1</sup></li> </ul>
<b>Intervall på 600 timmar eller vart 3:e år</b>
<ul style="list-style-type: none"> <li>• Byt luftfilter.</li> </ul>
<b>Årligen</b>
<ul style="list-style-type: none"> <li>• Byt tändstift.</li> <li>• Serva bränslesystemet.</li> <li>• Serva kylsystemet<sup>1</sup>.</li> <li>• Kontrollera ventilspelet<sup>2</sup>.</li> </ul>

<sup>1</sup>Rengör oftare under dammiga förhållanden eller när det finns fler partiklar i luften.

<sup>2</sup>Krävs endast vid motorproblem.

## Förgasare och motorhastighet

Gör inga ändringar på förgasaren, regulatorfjädrarna, länkar eller andra delar för att justera motorens varvtal. Om justeringar krävs, kontakta en Briggs & Stratton auktoriserad serviceverkstad för service.

## MÄRK

Utströmningens tillverkare specificerar den maximala hastigheten för motorn som installerats på utrustningen. Överskrid inte detta varvtal. Om du inte är säker på vilket maximalt varvtal som gäller för utrustningen, eller vilket motorvarvtal som har fabriksinställts, kontakta en av Briggs & Strattons auktoriserade serviceverkstäder för hjälp. För en säker och korrekt körning av utrustningen ska motorvarvtalet endast justeras av en kvalificerad servicetekniker.

## Underhåll av tändstift

Kontrollera elektrodavståndet (A, bild 20) med ett bladmått (B). Justera avståndet vid behov. Montera och dra åt tändstiftet till rekommenderat åtdragningsmoment. För justering av elektrodavstånd och vidmoment, se avsnittet **Specifikationer**.

## Service av avgas- och kylsystem



## VARNING

Under körningen blir motorn och ljuddämparen varma. Om du vidrör en varm motor kan brännskador uppstå.

### Brännbart material som till exempel löv, gräs och buskar kan fatta eld.

- Stanna motorn och låt den svalna i minst två (2) minuter innan du vidrör motorn eller ljuddämparen. Kontrollera att det är säkert att vidröra motorn och ljuddämparen.
- Ta bort skräp från ljuddämparen och motorn.

Det är olagligt enligt Naturresurslag i Kalifornien (California Public Resource Code), sektion 4442, att använda maskinen på skogsbeklädd, buskbeklädd eller gräsbeklädd mark om inte avgassystemet är utrustat med ett gnistskydd, som det beskrivs i sektion 4442, samt att det är underhållet och i fungerande skick. Andra delstater eller rättsområden kan ha liknande lagar, se federala förordningar 36 CFR del 261.52. Kontakta den ursprungliga tillverkaren, återförsäljaren eller säljaren av utrustningen, för att få en gnistfångare som är utformad för avgassystemet i denna motor.

Detta är en luftkyld motor. Smuts eller främmande material kan förhindra luftflödet och orsaka överhettning av motorn. Det medför försämrad motoreffekt och påverkar motorens livslängd negativt. Kylflänsarna på cylindern kan fånga främmande material som inte kan tas bort utan demontering av motorn. Låt en auktoriserad Briggs & Stratton serviceverkstad undersöka och rengöra luftkylningssystemet. Se **Underhållsschemat**.

1. Inget brännbart material får finnas omkring eller bakom ljuddämparen.
2. Rensa allt skräp från fläktkåpan, ljuddämparen och cylinderområdet med en borste eller torr trasa. Rengör INTE motorn med vatten.
3. Kontrollera att länkar, fjädrar och reglage är rena.
4. Kontrollera ljuddämparen om den har sprickor, korrosion eller andra skador.
5. Ta bort avledningsröret eller gnistskyddet, om sådant finns, och kontrollera eventuella skador eller sotansamlingar. Rengör eller montera alltid utbytesdelar innan du använder utrustningen.
6. Om de är installerade, se till att oljekylarflänsarna är rena.

## Byta motorolja



## VARNING

Bränslet och dess ångor är brandfarliga och kan explodera. Brand eller explosion kan orsaka brännskador eller dödsfall.

Under körningen blir motorn och ljuddämparen varma. Om du vidrör en varm motor kan brännskador uppstå.

- Om du tappar ur olja från det övre oljeröret måste bränsletanken vara tom. Om den inte är tom kan bränsle rinna ut och orsaka brand eller explosion.
- Stanna motorn och låt den svalna i minst två (2) minuter innan du vidrör motorn eller ljuddämparen. Kontrollera att det är säkert att vidröra motorn och ljuddämparen.

Använd olja är farligt avfall och måste avyttras på ett lämpligt sätt. Blanda inte med hushållsavfall. Kontakta din lokala myndighet, servicecenter eller återförsäljare för information om säker avyttring eller om återvinningsanläggningar.

Oljan behöver inte bytas på **Just Check & Add™**-modeller. Se anvisningarna nedan om oljan behöver bytas.

## Urtappning av olja

1. Medan motorn står stilla men fortfarande är varm ska du lossa tändstiftskablarna (D, bild 21) och hålla dem borta från tändstiftet (E).
2. Ta ut oljemätstickan (A, bild 22).
3. Motorn har två oljeavtappningspluggar (H, F, bild 23). Skruva ur oljeavtappningspluggarna (H, F). Tappa ut oljan i en godkänd behållare.
4. Montera och dra åt oljepluggarna (H, F, bild 23).

## Påfyllning av olja

- Se till att motorn står horisontellt.
- Gör rent kring oljepåfyllningsöppningen.
- Se avsnittet **Specifikationer** angående oljevolym.

1. Dra ut oljemätstickan. Se avsnittet **Urtappning av olja**.
2. Fyll långsamt på olja i den ena oljepåfyllningsöppningen (C, G, bild 24). Fyll inte på för mycket olja.
3. Vänta några minuter och kontrollera oljenivån igen.
4. Sätt tillbaka oljestickan.
5. Ta ut oljemätstickan och kontrollera oljenivån. Rätt oljenivå är överst på fullmarkeringen på oljestickan. Se avsnittet **Kontrollera oljenivån**.

- Sätt in och dra åt oljesticken igen.
- Anslut tändstiftskabeln till tändstiftet. Se avsnittet **Urtappning av olja**.

## Byt reduktionsväxels olja

Vissa motorer är utrustade med reduktionsväxel. Om sådan finns, se stegen för en av reduktionsväxlarna nedan.

### 2:1 Reduktionsenhet med kedja

Inget oljebyte behövs om motorn har en 2:1-reduktionsenhet med kedja (G, bild 25). Oljan i motorn smörjer även reduktionsenheten med kedja.

### 2:1 Reduktionsenhet med våtkoppling

Utför följande steg om motorn har en 2:1 reduktionsenhet med våtkoppling:

- Ta ut oljemätstickan (A, bild 26).
- Ta bort avtappningspluggen (B, bild 26) och töm oljan i en lämplig behållare.
- Sätt in och dra åt oljeavtappningspluggen (B, bild 26).
- Fyll långsamt på olja i oljepåfyllningsöppningen (C, bild 26). Se avsnittet **Specifikationer**.
- Sätt in mätstickan (A, bild 26).
- Ta ut oljesticken (A, bild 26) och kontrollera oljenivån. Rätt oljenivå är överst på fullmarkeringen (D) på oljesticken.
- Sätt in mätstickan (A, bild 26).

### 6:1 Reduktionsväxelenhet

Utför följande steg om motorn har en 6:1-reduktionsväxelenhet:

- Ta bort oljepåfyllningspluggen (A, bild 27) och oljenivåpluggen (B).
- Ta bort oljeavtappningspluggen (C, bild 27) och töm oljan i en lämplig behållare.
- Sätt in och dra åt oljeavtappningspluggen (C, bild 27).
- Fyll långsamt på reduktionsväxelolja (80W-90) i oljepåfyllningsöppningen (D, bild 27). Fortsätt att fylla på reduktionsväxelolja (80W-90) tills oljan rinner ut ur oljenivåhålet (E).
- Sätt in och dra åt oljenivåpluggen (B, bild 27).
- Sätt in och dra åt oljepåfyllningspluggen (A, bild 27).

**ANM.:** Oljepåfyllningspluggen (A, bild 27) har ett ventilationshål (F) och måste installeras ovanpå växellådans kåpa som på bilden.

## Service av luftfilter

### VARNING

**Bränsleångorna är lättantändliga och explosiva. Brand eller explosion kan orsaka brännskador eller dödsfall.**

- Starta eller kör aldrig motorn utan luftrenare (om en sådan finns) eller luftfilter (om ett sådant finns).

### MÅRK

Använd inte tryckluft eller lösningsmedel för att rengöra filtret. Tryckluft kan skada filtret och lösningsmedel löser upp filtret.

Se **Underhållstabell** beträffande service.

De olika modellerna har antingen filter av skum eller av papper. Vissa modeller kan också ha en förenare som kan rengöras och återanvändas. Jämför bilderna i bruksanvisningen med typen på din motor och utför service enligt nedan.

### Pappersluftfilter

- Lossa fästet/fästena (C, bild 28).
- Ta bort kåpan (A, bild 28) och filtret (B).
- Lossa skräp genom att knacka filtret (B, bild 28) lätt mot en hård yta. Byt till ett nytt filter om det gamla är smutsigt.
- Montera filtret (B, bild 28).
- Montera kåpan (A, bild 28) med fästet/fästena (C). Se till att fästet/fästena sitter ordentligt.

### Luftfilter i papper – låg profil

- Flytta spärren (A, bild 29) för att låsa upp locket (C).
- Tryck in flikarna (B, bild 29) och ta bort locket (C).
- Ta bort filtret (D, bild 29).
- Lossa skräp genom att knacka filtret (D, bild 29) lätt mot en hård yta. Byt till ett nytt filter om det gamla är smutsigt.
- Montera filtret (D, bild 29).

- Montera kåpan (C, bild 29). Flytta spärren (A) till det låsta läget.

**ANM.:** Kontrollera hur skumtätningen sitter på plats (E, bild 29). Se till att skumtätningen runt omkring sitter korrekt i skåran (F).

## Service av bränslesystem



### VARNING

**Bränslet och dess ångor är brandfarliga och kan explodera. Brand eller explosion kan orsaka brännskador eller dödsfall.**

- Förvara bränsle på avstånd från gnistor, öppen eld, gaskök, värme- och andra antändningskällor.
- Kontrollera ofta att det inte finns sprickor eller läckor på bränsleledningar, tank, lock och kopplingar. Byt ut skadade delar.
- Låt utspillt bränsle torka först innan du startar motorn.

### Bränslefilter, om sådant finns

- Ta av tanklocket (A, bild 30).
- Ta bort bränslefiltret (B, bild 30).
- Rengör eller byt ut bränslefiltret om det är smutsigt. Använd en originalreservdel om du byter ut bränslefiltret.

## Förvaring

### Bränslesystem

Se bild 31.



### VARNING

**Bränslet och dess ångor är brandfarliga och kan explodera. Brand eller explosion kan orsaka brännskador eller dödsfall.**

### Förvaring av bränsle

- Eftersom kontrollampor eller andra antändningskällor kan orsaka explosioner, ska bränsle eller utrustning förvaras på avstånd från ugnar, brännare, vattenvärmare och andra apparater som har kontrollampor.

Förvara motorn horisontellt (normalt körläge). Fyll på bränsle i bränsletanken (A, bild 31). Fyll inte på mer än till bränsletankens hals (B) så att bränslet kan expandera.

Bränsle kan bli för gammalt om det lagras i en förvaringsbehållare längre än 30 dagar. Bränsle i förvaringsbehållare bör helst blandas med en alkoholfri bränslestabilisator och etanoltillsats för att undvika försämrings och hålla bränslet färskt.

Vid påfyllning av bränsle i behållaren, tillsätt en alkoholfri bränslestabilisator enligt tillverkarens anvisningar. Om bensinen i motorn inte har behandlats med en bränslestabilisator, måste den tappas ut i en godkänd behållare.

## Motorolja

Byt motorolja medan motorn fortfarande är varm. Se avsnittet **Byte av motoroljan**.

## Felsökning

### Assistans

Kontakta närmaste återförsäljare, besök **BRIGGSandSTRATTON.COM** eller ring **1-800-444-7774** (i USA) för hjälp.

## Specifikationer och reservdelar

Specifikationer	Modell: 10V000	Modell: 12V000
Slagvolym	10.313 kubiktum (169 cm <sup>3</sup> )	12.387 kubiktum (203 cm <sup>3</sup> )
Cylinderdiameter	2.44 mm (62 tum)	2.677 mm (68 tum)
Slaglängd	2.204 mm (56 tum)	2.204 mm (56 tum)
Oljevoly	18 - 20 oz (,54 - ,59 l)	18 - 20 oz (,54 - ,59 l)
2:1 reduktionsväxlar med våtkoppling – oljetyp	10W-30	10W-30
2:1 reduktionsväxlar med våtkoppling – oljevoly	10 oz (,30 l)	10 oz (,30 l)
6:1 reduktionsväxlar – oljetyp	80W-90	80W-90
6:1 reduktionsväxlar – oljevoly	4 oz (12 l)	4 oz (12 l)
Tändstiftelektroavstånd	.030 mm (,76 tum)	.030 tum (,76 mm)

Specifikationer	Modell: 10V000	Modell: 12V000
Åtdragningsmoment, tändstift	180 tum-lb (20 Nm)	180 tum-lb (20 Nm)
Luftgap	.010 - .013 tum (.25 - .35 mm)	.010 - .013 tum (.25 - .35 mm)
Ventilspe, insug	.004 - .006 i (.10 - .15 mm)	.004 - .006 i (.10 - .15 mm)
Ventilspe, avgasventil	.005 - .007 tum (.15 - .20 mm)	.005 - .007 tum (.15 - .20 mm)

Specifikationer	Modell: 25V000
Slagvolym	24.898 kubiktum (408 cm <sup>3</sup> )
Cylinderdiameter	3.465 tum (88 mm)
Slaglängd	2.638 tum (67 mm)
Bult för monteringskonsol för vajer	30 tum-lb (3,4 Nm)
Kabelhållarskruv	25 tum-lb (2,8 Nm)
Oljevolym	28 - 32 oz (.83 - .95 l)
Tändstiftelktroadvstånd	.030 mm (.76 tum)
Åtdragningsmoment, tändstift	180 tum-lb (20 Nm)
Luftgap	.010 - .013 tum (.25 - .35 mm)
Ventilspe, insug	.004 - .006 mm (.10 - .15 tum)
Ventilspe, avgasventil	.005 - .007 tum (.15 - .20 mm)

Motoreffekten minskar med 3,5 % per 1 000 fot (300 m) över havsytan och 1 % per 10 °F (5,6 °C) över 77 °F (25 °C). Motorn arbetar tillfredsställande i upp till 30° vinkel. Se maskintillverkarens instruktionsbok beträffande säkra arbetsgränser på sluttningar.

## Reservdelar

Sök en auktoriserad serviceverkstad på BRIGGSandSTRATTON.COM för beställning av Briggs & Stratton reservdelar. Du kommer att behöva ditt identifieringsnummer (modell – typ – trim). Se avsnittet **Funktioner och reglage** angående motorns identifieringsnummer.

## Nominell effekt

Den nominella bruttoeffekten för enskilda bensinmotorer märks enligt SAE (Society of Automotive Engineers) J1940, procedur för effekt- och vridmomentklassning för små motorer, och klassas enligt SAE J1995. Vridmomentvärden mäts vid 2 600 rpm på motorer med "rpm" angivet på märkningen och 3 060 rpm på alla andra motorer. Värden i hästkrafter mäts vid 3 600 rpm. Nettoeffektkurvorna finns på [www.BRIGGSandSTRATTON.COM](http://www.BRIGGSandSTRATTON.COM). Nettoeffekten mäts med monterade avgassystem och luftrenare, medan bruttoeffekten mäts utan dessa tillbehör. Motorns verkliga bruttoeffekt blir högre än motorns nettoeffekt och påverkas bland annat av driftsmiljö och skillnader mellan olika motorer. Med tanke på det breda utbudet av produkter med motorer monterade, är det inte säkert att bensinmotorn utvecklar den klassificerade bruttoeffekten när den används på en viss utrustning. Skillnaden beror på ett antal faktorer, bland annat olika motordelar (luftrenare, avgassystem, laddning, kylning, förgasare, bensinpump osv.), begränsning i tillämpningen, omgivande driftsmiljö (temperatur, luftfuktighet, höjd över havet) och variationer mellan motorexemplar. På grund av tillverknings- och kapacitetsbegränsningar kan Briggs & Stratton ersätta denna motor med en motor med högre nominell effekt.

## Garanti

### Garanti för Briggs & Stratton®-motorer

Gäller fr.o.m. mars 2023

#### Begränsad garanti

Briggs & Stratton garanterar att, under garantiperioden som specificeras härunder, utan kostnad kommer att reparera eller byta ut delar med materialfel och/eller tillverkningsfel med ny, renoverad eller omtillverkad del enligt Briggs & Strattons eget gottfinnande. Köparen står själv för transportkostnaden för produkt som lämnats in för reparation eller utbyte. Garantin gäller under nedan angivna perioder och enligt nedan angivna villkor. För garantiservice hittar du närmaste auktoriserade serviceverkstad på vår karta Hitta återförsäljare på [BRIGGSandSTRATTON.COM](http://BRIGGSandSTRATTON.COM). Köparen måste kontakta den auktoriserade servicehandlare och sedan göra produkten tillgänglig för den auktoriserade serviceverkstaden för inspektion och test.

Det finns ingen annan uttrycklig garanti. Underförstådda garantier, bland annat om säljbarhet och lämplighet för ett specifikt syfte, är begränsade till ett år från och med inköpet eller i den grad det är tillåtet enligt lag. Alla andra underförstådda garantier frånskrivs. Ansvarsgaranti vid uppkommande skador och följdsador exkluderas i den grad det är tillåtet enligt lag. Vissa länder eller delstater medger inte begränsning av giltighetstiden för underförstådda garantier och vissa tillåter inte undantag från eller begränsning av ansvaret för följdsador, varför undantag från ovanstående kan gälla för vissa köpare. Denna garanti ger specifika

lagstadgade rättigheter, men det kan även finnas andra rättigheter som varierar från land till land eller stat till stat.

## Standardgarantivillkor<sup>1, 2</sup>

### Vanguard®; CXi-serien

Privat bruk - 36 månader

Kommersiellt bruk - 36 månader

### XR-serien

Privat bruk - 24 månader

Kommersiellt bruk - 24 månader

### Alla andra motorer med Dura-Bore™ gjutjärnsfoder

Privat bruk - 24 månader

Kommersiellt bruk - 12 månader

### Alla andra motorer

Privat bruk - 24 månader

Kommersiellt bruk - 3 månader

<sup>1</sup> Dessa är våra standardgarantivillkor. Ibland kan dock ytterligare garantitäckning förekomma som inte varit fastställt vid publiceringstidpunkten. För en lista över aktuella garantivillkor för din motor, gå till [BRIGGSandSTRATTON.COM](http://BRIGGSandSTRATTON.COM) eller kontakta din Briggs & Stratton-auktorerade serviceverkstad.

<sup>2</sup> På motorer lämnas ingen garanti om de är monterade på utrustning som används: för att ersätta ordinär elkraftförsörjning; som reservkraftgeneratorer för kommersiella ändamål; som nyttfordon med topphastighet över 25 mph; som tävlingsfordon för racing eller; för karting vid kommersiellt bruk eller uthyrning.

Garanti perioden börjar den dag den första konsumenten eller kommersiella slutanvändaren köper motorn och löper under den tidsperiod som uppges i ovanstående tabell. "Privat bruk" avser personligt bruk i hemmet av privatperson. "Kommersiellt bruk" avser allt annat bruk, inklusive yrkesmässigt bruk, användning i näringsverksamhet eller uthyrning. En motor som en gång har använts kommersiellt, ska därefter alltid betraktas som kommersiellt i samband med denna garanti.

Ingen registrering krävs för att garantin ska gälla för Briggs & Strattons produkter. Spara ditt inköpskvitto. Om inköpskvittot inte kan uppvisas vid yrkan på garantiservice, kommer produktens tillverkningsdatum att användas för att bestämma garantiperioden.

#### Angående din garanti

Denna garanti täcker endast motorrelaterat defekt material och/eller utförande och täcker inte utbyte av eller ersättning för den maskin på vilken motorn kan vara monterad. Rutinunderhåll, trimningar, justeringar eller normalt slitage täcks inte av den här garantin. Garantin gäller likaledes inte om motorn har ändrats eller manipulerats eller om motorns serienummer har raderats eller tagits bort. Den här garantin täcker inte motorskador eller prestandaproblem som orsakas av:

- användning av delar som inte Briggs & Stratton
- en användning av motorn med otillräcklig, förorenad eller dålig kvalitet på smörjoljan;
- användning av förorenad eller gammalt bränsle, diesel med en etanolhalt som överstiger 10 % eller användning av bränslen som motorgas eller naturgas på motorer som inte ursprungligen konstruerats/tillverkats av Briggs & Stratton för att fungera med sådana bränslen;
- smuts som trängt in i motorn på grund av ett dåligt underhåll av luftfiltret eller dålig återmontering;
- slag mot föremål med skärbladet på en roterande gräsklippare, lösa eller dåligt installerade bladadapterar, pumphjul eller andra vevaxelkopplade enheter eller för hårt spänd V-rem;
- tillbehör eller enheter som t.ex. kopplingar, växellådor, utrustningsreglage, osv., som inte levereras av Briggs & Stratton;
- överhettning p.g.a klippt gräs, smuts och skräp eller gnagarnästen som täpper till kylflänsarna eller svänghjulets område eller när motorn används utan en tillräcklig ventilation;
- för hög vibration på grund av en för hög hastighet, lös montering av motorn, lösa eller obalanserade skärblad eller pumphjul eller dålig koppling av utrustningens komponenter till vevaxeln;
- felaktig användning, dåligt löpande underhåll, transport, hantering eller förvaring av utrustningen eller dålig installation av motorn.

Garantiservice tillhandahålls endast genom Briggs & Stratton auktoriserade serviceverkstäder. Hitta din närmaste auktoriserade serviceverkstad på vår karta Hitta återförsäljare på [BRIGGSandSTRATTON.COM](http://BRIGGSandSTRATTON.COM) eller genom att ringa 1-800-444-7774 (i USA).

80114782 (revision B)

## Briggs & Stratton Emissions Warranty

### Manufacturer's Warranty Coverage:

The exhaust emissions control system on your engine is warranted for two years. If any emissions-related part on your engine is defective, the part will be repaired or replaced by B&S.

### Owner's Warranty Responsibilities:

- As the engine owner, you are responsible for the performance of the required maintenance listed in your owner's manual. B&S recommends that you retain all receipts covering maintenance on your engine, but B&S cannot deny warranty coverage solely for the lack of receipts or for your failure to ensure the performance of all scheduled maintenance.
- As the engine owner, you should however be aware that B&S may deny you warranty coverage if your engine or a part has failed due to abuse, neglect, or improper maintenance or unapproved modifications.
- You are responsible for presenting your engine to a B&S distribution center or service center as soon as the problem exists. The warranty repairs shall be completed in a reasonable amount of time, not to exceed 30 days. If you have a question regarding your warranty rights and responsibilities, you should contact B&S at 1-800-444-7774 (in USA) or BRIGGSandSTRATTON.COM.

80130178 Revision A

Not for  
Reproduction



Not for  
Reproduction

Not for  
Reproduction

Not for  
Reproduction

**WANGUARD®**

Not for  
Reproduction