



en *Operator's Manual*

da *Betjeningsvejledning*

de *Bedienungsanleitung*

el *Εγχειρίδιο Χρήσης*

es *Manual del Operario*

fi *Käyttäjän käsikirja*

fr *Manuel d'utilisation*

it *Manuale dell'Operatore*

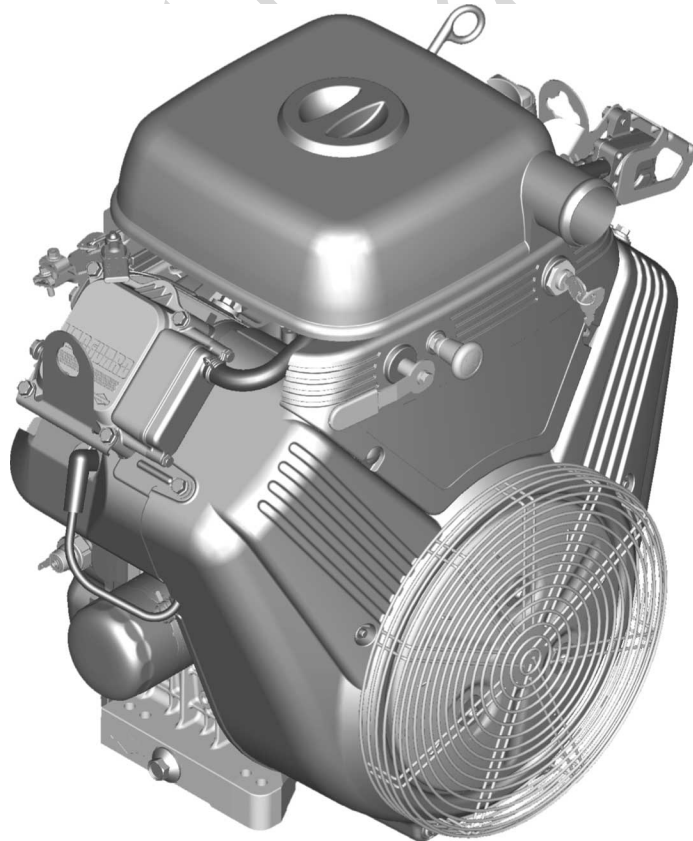
nl *Gebruiksaanwijzing*

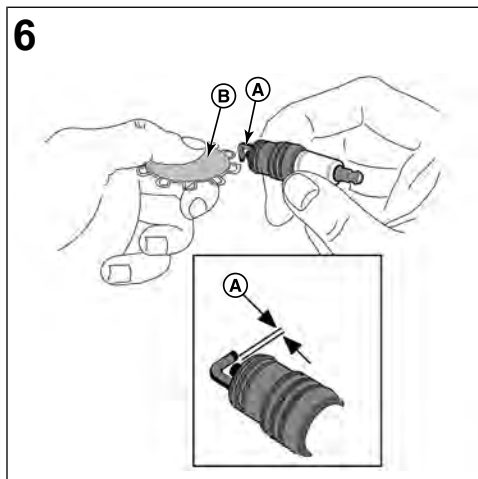
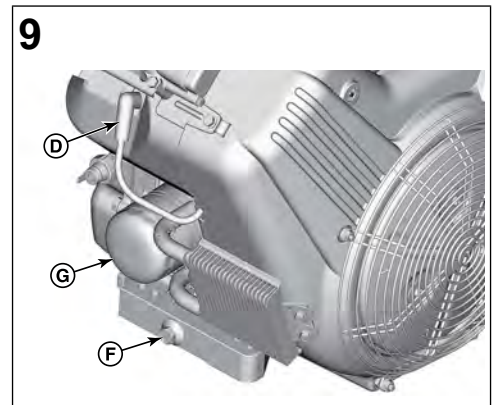
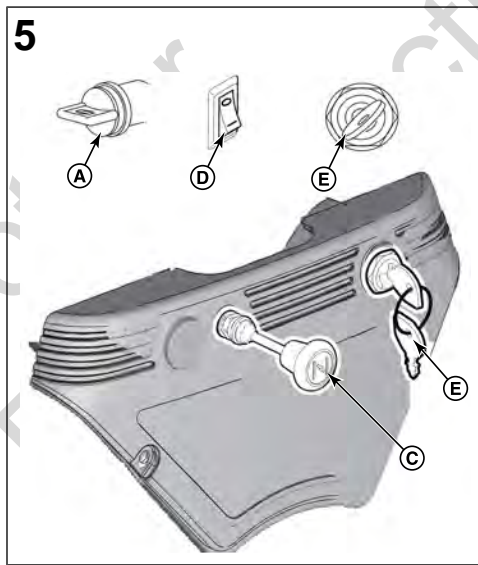
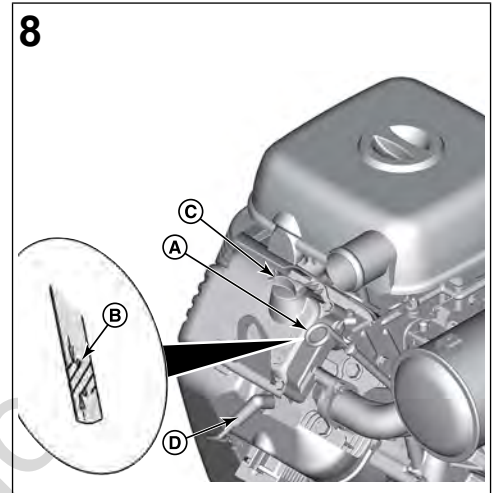
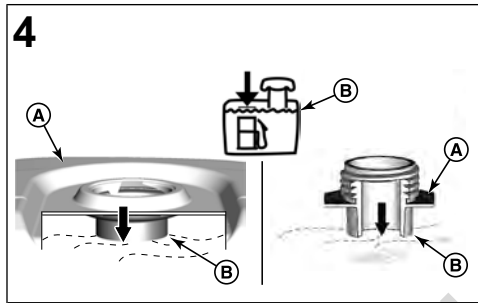
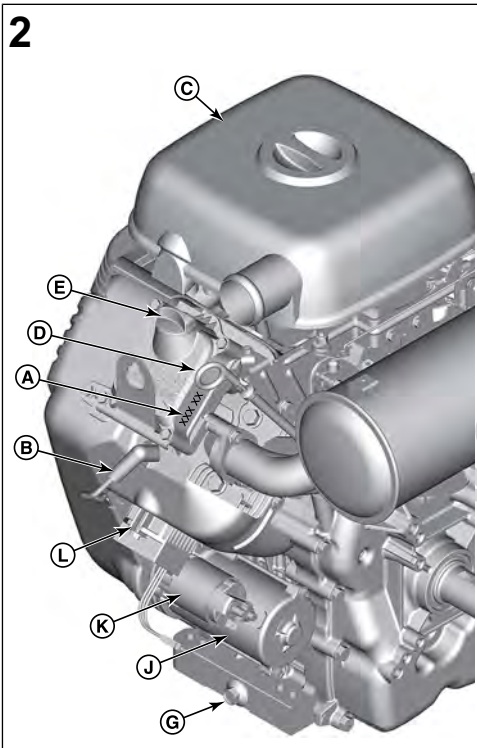
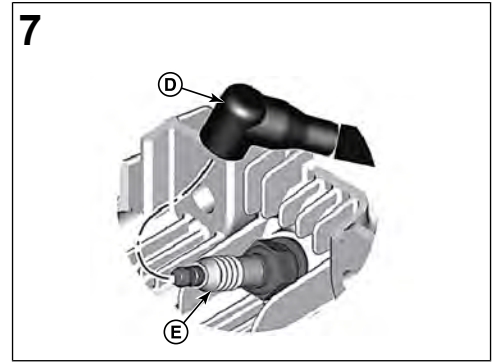
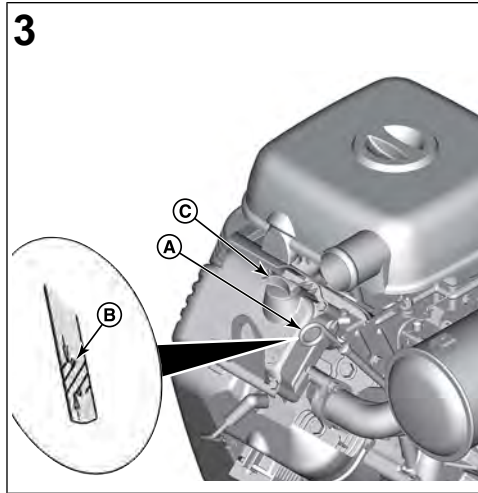
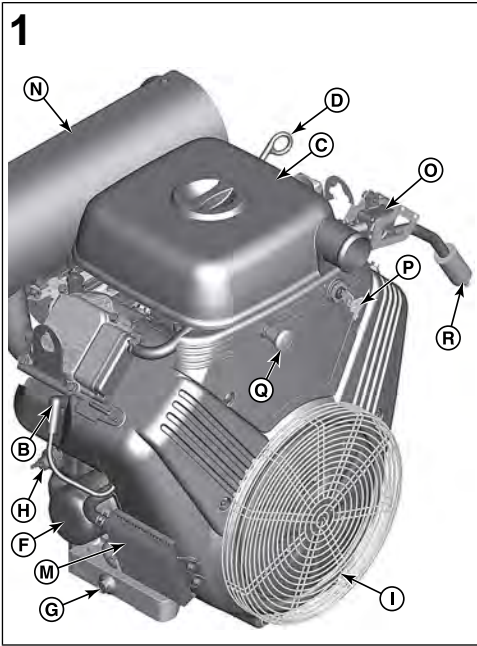
no *Brukerhåndbok*

pt *Manual do Operador*

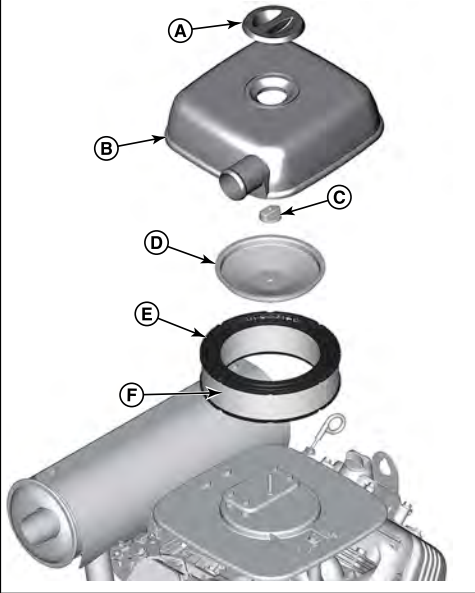
sv *Instruktionsbok*

Models: 611400
613400
61E400
61G400

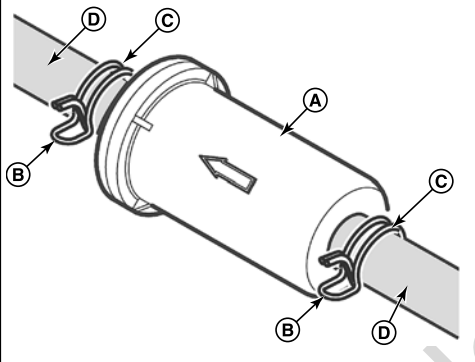




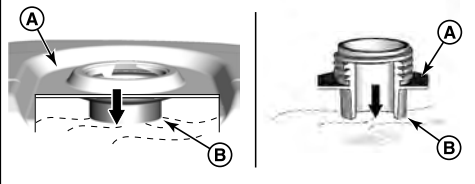
10



11



12



Not for
Reproduction

This manual contains safety information to make you aware of the hazards and risks associated with engines and how to avoid them. It also contains instructions for the proper use and care of the engine. Because Briggs & Stratton Corporation does not necessarily know what equipment this engine will power, it is important that you read and understand these instructions and the instructions for the equipment. **Save these original instructions for future reference.**

Note: The figures and illustrations in this manual are provided for reference only and may differ from your specific model. Contact your dealer if you have questions.

For replacement parts or technical assistance, record below the engine model, type, and code numbers along with the date of purchase. These numbers are located on your engine (see the **Features and Controls** section).

Date of Purchase	
Engine Model - Type - Trim	
Engine Serial Number	

Look for the 2D barcode located on some engines. When viewed with a 2D-capable device, the code will bring up our website where you can access support information for this product. Data rates apply. Some countries may not have online support information available.



Recycling Information

		All packaging, used oil, and batteries should be recycled according to applicable government regulations.
--	--	---

Operator Safety

Safety Alert Symbol and Signal Words

The safety alert symbol is used to identify safety information about hazards that can result in personal injury. A signal word (DANGER, WARNING, or CAUTION) is used with the alert symbol to indicate the likelihood and the potential severity of injury. In addition, a hazard symbol may be used to represent the type of hazard.

DANGER indicates a hazard which, if not avoided, **will result in death or serious injury.**

WARNING indicates a hazard which, if not avoided, **could result in death or serious injury.**

CAUTION indicates a hazard which, if not avoided, **could result in minor or moderate injury.**

NOTICE indicates an situation that **could result in damage to the product.**

Hazard Symbols and Meanings

Symbol	Meaning	Symbol	Meaning
	Safety information about hazards that can result in personal injury.		Read and understand the Operator's Manual before operating or servicing the unit.
	Fire hazard		Explosion hazard

Symbol	Meaning	Symbol	Meaning
	Shock hazard		Toxic fume hazard
	Hot surface hazard		Noise hazard - Ear protection recommended for extended use.
	Thrown object hazard - Wear eye protection.		Explosion hazard
	Frostbite hazard		Kickback hazard
	Amputation hazard - moving parts		Chemical Hazard
	Thermal heat hazard		Corrosive

Safety Messages



WARNING

Certain components in this product and its related accessories contain chemicals known to the State of California to cause cancer, birth defects, or other reproductive harm. Wash hands after handling.



WARNING

The engine exhaust from this product contains chemicals known to the State of California to cause cancer, birth defects, or other reproductive harm.



WARNING

Briggs & Stratton Engines are not designed for and are not to be used to power: fun-karts; go-karts; children's, recreational, or sport all-terrain vehicles (ATVs); motorbikes; hovercraft; aircraft products; or vehicles used in competitive events not sanctioned by Briggs & Stratton. For information about competitive racing products, see www.briggsracing.com. For use with utility and side-by-side ATVs, please contact Briggs & Stratton Engine Application Center, 1-866-927-3349. Improper engine application may result in serious injury or death.



WARNING



Fuel and its vapors are extremely flammable and explosive.

Fire or explosion can cause severe burns or death.

When Adding Fuel

- Turn engine off and let engine cool at least 2 minutes before removing the fuel cap.
- Fill fuel tank outdoors or in well-ventilated area.
- Do not overfill fuel tank. To allow for expansion of the fuel, do not fill above the bottom of the fuel tank neck.
- Keep fuel away from sparks, open flames, pilot lights, heat, and other ignition sources.
- Check fuel lines, tank, cap, and fittings frequently for cracks or leaks. Replace if necessary.
- If fuel spills, wait until it evaporates before starting engine.

When Starting Engine

- Ensure that spark plug, muffler, fuel cap and air cleaner (if equipped) are in place and secured.
- Do not crank engine with spark plug removed.
- If engine floods, set choke (if equipped) to OPEN / RUN position, move throttle (if equipped) to FAST position and crank until engine starts.

When Operating Equipment

- Do not tip engine or equipment at angle which causes fuel to spill.
- Do not choke the carburetor to stop engine.
- Never start or run the engine with the air cleaner assembly (if equipped) or the air filter (if equipped) removed.

When Changing Oil

- If you drain the oil from the top oil fill tube, the fuel tank must be empty or fuel can leak out and result in a fire or explosion.

When Tipping Unit for Maintenance

- When performing maintenance that requires the unit to be tipped, the fuel tank, if mounted on the engine, must be empty or fuel can leak out and result in a fire or explosion.

When Transporting Equipment

- Transport with fuel tank EMPTY or with fuel shut-off valve in the CLOSED position.

When Storing Fuel Or Equipment With Fuel In Tank

- Store away from furnaces, stoves, water heaters or other appliances that have pilot lights or other ignition sources because they can ignite fuel vapors.



Starting engine creates sparking.

Sparking can ignite nearby flammable gases.

Explosion and fire could result.

- If there is natural or LP gas leakage in area, do not start engine.
- Do not use pressurized starting fluids because vapors are flammable.



POISONOUS GAS HAZARD. Engine exhaust contains carbon monoxide, a poisonous gas that could kill you in minutes. You CANNOT see it, smell it, or taste it. Even if you do not smell exhaust fumes, you could still be exposed to carbon monoxide gas. If you start to feel sick, dizzy, or weak while using this product, get to fresh air RIGHT AWAY. See a doctor. You may have carbon monoxide poisoning.

- Operate this product ONLY outside far away from windows, doors and vents to reduce the risk of carbon monoxide gas from accumulating and potentially being drawn towards occupied spaces.
- Install battery-operated carbon monoxide alarms or plug-in carbon monoxide alarms with battery back-up according to the manufacturer's instructions. Smoke alarms cannot detect carbon monoxide gas.
- DO NOT run this product inside homes, garages, basements, crawlspaces, sheds, or other partially-enclosed spaces even if using fans or opening doors and windows for ventilation. Carbon monoxide can quickly build up in these spaces and can linger for hours, even after this product has shut off.
- ALWAYS place this product downwind and point the engine exhaust away from occupied spaces.



Rapid retraction of starter cord (kickback) will pull hand and arm toward engine faster than you can let go.

Broken bones, fractures, bruises or sprains could result.

- When starting engine, pull the starter cord slowly until resistance is felt and then pull rapidly to avoid kickback.
- Remove all external equipment / engine loads before starting engine.
- Direct-coupled equipment components such as, but not limited to, blades, impellers, pulleys, sprockets, etc., must be securely attached.



Rotating parts can contact or entangle hands, feet, hair, clothing, or accessories.

Traumatic amputation or severe laceration can result.

- Operate equipment with guards in place.
- Keep hands and feet away from rotating parts.
- Tie up long hair and remove jewelry.
- Do not wear loose-fitting clothing, dangling drawstrings or items that could become caught.



Running engines produce heat. Engine parts, especially muffler, become extremely hot.

Severe thermal burns can occur on contact.

Combustible debris, such as leaves, grass, brush, etc. can catch fire.

- Allow muffler, engine cylinder and fins to cool before touching.
- Remove accumulated debris from muffler area and cylinder area.
- It is a violation of California Public Resource Code, Section 4442, to use or operate the engine on any forest-covered, brush-covered, or grass-covered land unless the exhaust system is equipped with a spark arrester, as defined in Section 4442, maintained in effective working order. Other states or federal jurisdictions may have similar laws. Contact the original equipment manufacturer, retailer, or dealer to obtain a spark arrester designed for the exhaust system installed on this engine.



Unintentional sparking can result in fire or electric shock.

Unintentional start-up can result in entanglement, traumatic amputation, or laceration.

Fire hazard

Before performing adjustments or repairs:

- Disconnect the spark plug wire and keep it away from the spark plug.
- Disconnect battery at negative terminal (only engines with electric start.)
- Use only correct tools.
- Do not tamper with governor spring, links or other parts to increase engine speed.
- Replacement parts must be of the same design and installed in the same position as the original parts. Other parts may not perform as well, may damage the unit, and may result in injury.
- Do not strike the flywheel with a hammer or hard object because the flywheel may later shatter during operation.

When testing for spark:

- Use approved spark plug tester.
- Do not check for spark with spark plug removed.

Features and Controls

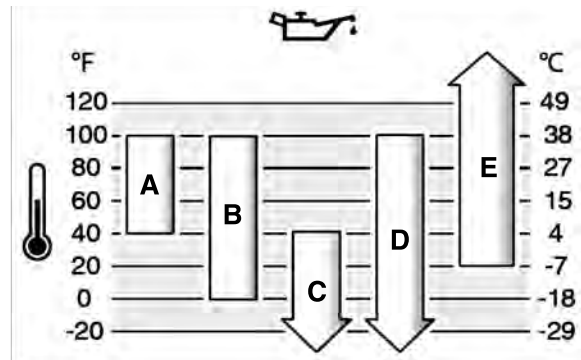
Engine Controls

Compare the illustration (Figure: 1, 2) with your engine to familiarize yourself with the location of various features and controls.

- Engine Identification Numbers **Model - Type - Code**
- Spark Plug
- Air Cleaner, Low Profile
- Dipstick
- Oil Fill
- Oil Filter
- Oil Drain Plug
- Oil Pressure Sensor

- I. Air Intake Grille
- J. Electric Starter
- K. Starter Solenoid
- L. Regulator/Rectifier
- M. Oil Cooler (if equipped)
- N. Muffler (if equipped)
- O. Fuel Pump
- P. Starter Switch ¹
- Q. Choke Control - Carburetor Models ¹
- R. Fuel Filter (if equipped)

¹ Some engines and equipment have remote controls. See the equipment manual for location and operation of remote controls.



A	SAE 30 - Below 40 °F (4 °C) the use of SAE 30 will result in hard starting.
B	10W-30 - Above 80 °F (27 °C) the use of 10W-30 may cause increased oil consumption. Check oil level more frequently.
C	5W-30
D	Synthetic 5W-30
E	Vanguard™ Synthetic 15W-50

Engine Control Symbols and Meanings

Symbol	Meaning	Symbol	Meaning
	Engine speed - FAST		Engine speed - SLOW
	Engine speed - STOP		ON - OFF
	Engine start - Choke CLOSED		Engine start - Choke OPEN
	Fuel Cap Fuel Shut-off - OPEN		Fuel Shut-off - CLOSED
	Fuel level - Maximum Do not overfill		

Operation

Oil Recommendations

Oil Capacity: See the *Specifications* section.

NOTICE

This engine was shipped from Briggs & Stratton without oil. Equipment manufacturers or dealers may have added oil to the engine. Before you start the engine for the first time, make sure to check the oil level and add oil according to the instructions in this manual. If you start the engine without oil, it will be damaged beyond repair and will not be covered under warranty.

We recommend the use of Briggs & Stratton Warranty Certified oils for best performance. Other high-quality detergent oils are acceptable if classified for service SF, SG, SH, SJ or higher. Do not use special additives.

Outdoor temperatures determine the proper oil viscosity for the engine. Use the chart to select the best viscosity for the outdoor temperature range expected. Engines on most outdoor power equipment operate well with 5W-30 Synthetic oil. For equipment operated in hot temperatures, Vanguard™ 15W-50 Synthetic oil provides the best protection.

Check Oil Level

See Figure: 3

Before adding or checking the oil

- Make sure the engine is level.
- Clean the oil fill area of any debris.

1. Remove the dipstick (A, Figure 3) and wipe with a clean cloth.
2. Fully install the dipstick (A, Figure 3).
3. Remove the dipstick and check the oil level. Correct oil level is at the top of the full indicator (B, Figure 3) on the dipstick.
4. If oil level is low, slowly add oil into the engine oil fill (C, Figure 3). **Do not overfill.** After adding oil, wait one minute and then recheck the oil level.
5. Fully install the dipstick (A, Figure 3).

Low Oil Protection System (if equipped)

Some engines are equipped with a low oil sensor. If the oil is low, the sensor will either activate a warning light or stop the engine. Stop the engine and follow these steps before restarting the engine.

- Make sure the engine is level.
- Check the oil level. See the *Check Oil Level* section.
- If the oil level is low, add the proper amount of oil. Start the engine and make sure the warning light (if equipped) is not activated.
- If the oil level is not low, do not start the engine. Contact a Briggs & Stratton Authorized Service Dealer to have the oil problem corrected.

Fuel Recommendations

Fuel must meet these requirements:

- Clean, fresh, unleaded gasoline.
- A minimum of 87 octane/87 AKI (91 RON). High altitude use, see below.
- Gasoline with up to 10% ethanol (gasohol) is acceptable.

NOTICE Do not use unapproved gasolines, such as E15 and E85. Do not mix oil in gasoline or modify the engine to run on alternate fuels. Use of unapproved fuels will damage the engine components, which will not be covered under warranty.

To protect the fuel system from gum formation, mix a fuel stabilizer into the fuel. See **Storage**. All fuel is not the same. If starting or performance problems occur, change fuel providers or change brands. This engine is certified to operate on gasoline. The emissions control system for this engine is EM (Engine Modifications).

High Altitude

At altitudes over 5,000 feet (1524 meters), a minimum 85 octane/85 AKI (89 RON) gasoline is acceptable.

For carbureted engines, high altitude adjustment is required to maintain performance. Operation without this adjustment will cause decreased performance, increased fuel consumption, and increased emissions. Contact a Briggs & Stratton Authorized Service

Dealer for high altitude adjustment information. Operation of the engine at altitudes below 2,500 feet (762 meters) with the high altitude adjustment is not recommended.

For Electronic Fuel Injection (EFI) engines, no high altitude adjustment is necessary.

Add Fuel

See Figure: 4



WARNING

Fuel and its vapors are extremely flammable and explosive.

Fire or explosion can cause severe burns or death.

When adding fuel

- Turn engine off and let engine cool at least 2 minutes before removing the fuel cap.
 - Fill fuel tank outdoors or in well-ventilated area.
 - Do not overfill fuel tank. To allow for expansion of the fuel, do not fill above the bottom of the fuel tank neck.
 - Keep fuel away from sparks, open flames, pilot lights, heat, and other ignition sources.
 - Check fuel lines, tank, cap, and fittings frequently for cracks or leaks. Replace if necessary.
 - If fuel spills, wait until it evaporates before starting engine.
1. Clean the fuel cap area of dirt and debris. Remove the fuel cap.
 2. Fill the fuel tank (A, Figure 4) with fuel. To allow for expansion of the fuel, do not fill above the bottom of the fuel tank neck (B).
 3. Reinstall the fuel cap.

Start and Stop Engine

See Figure: 5

Start Engine



WARNING

Fuel and its vapors are extremely flammable and explosive.

Fire or explosion can cause severe burns or death.

When Starting Engine

- Ensure that spark plug, muffler, fuel cap and air cleaner (if equipped) are in place and secured.
- Do not crank engine with spark plug removed.
- If engine floods, set choke (if equipped) to OPEN / RUN position, move throttle (if equipped) to FAST position and crank until engine starts.



WARNING

POISONOUS GAS HAZARD. Engine exhaust contains carbon monoxide, a poisonous gas that could kill you in minutes. You CANNOT see it, smell it, or taste it. Even if you do not smell exhaust fumes, you could still be exposed to carbon monoxide gas. If you start to feel sick, dizzy, or weak while using this product, shut it off and get to fresh air RIGHT AWAY. See a doctor. You may have carbon monoxide poisoning.

- Operate this product ONLY outside far away from windows, doors and vents to reduce the risk of carbon monoxide gas from accumulating and potentially being drawn towards occupied spaces.
- Install battery-operated carbon monoxide alarms or plug-in carbon monoxide alarms with battery back-up according to the manufacturer's instructions. Smoke alarms cannot detect carbon monoxide gas.
- DO NOT run this product inside homes, garages, basements, crawlspaces, sheds, or other partially-enclosed spaces even if using fans or opening doors and windows for ventilation. Carbon monoxide can quickly build up in these spaces and can linger for hours, even after this product has shut off.
- ALWAYS place this product downwind and point the engine exhaust away from occupied spaces.

NOTICE This engine was shipped from Briggs & Stratton without oil. Before you start the engine, make sure you add oil according to the instructions in this manual. If you start the engine without oil, it will be damaged beyond repair and will not be covered under warranty.

Determine The Starting System

Before starting the engine, you must determine the type of starting system that is on your engine. Your engine will have one of the following types.

- **Electronic Fuel Injection (EFI) System:** This features Electronic Fuel Injection. It does not have a choke or a primer.
- **Choke System:** This features a choke to be used for starting in cool temperatures. Some models will have a separate choke control while others will have a combination choke and throttle control. This type does not have a primer.

Note: Equipment may have remote controls. See the equipment manual for location and operation of remote controls.

Electronic Fuel Injection (EFI) System

1. Check the engine oil. See the **Check Oil Level** section.
2. Make sure equipment drive controls, if equipped, are disengaged.
3. Move the fuel shut-off (A, Figure 5), if equipped, to the OPEN position.
4. Move the throttle control to the SLOW position.
5. Push the stop switch (D, Figure 5), if equipped, to the ON position.
6. Turn the electric start switch (E, Figure 5) to the ON or START position.

NOTICE To extend the life of the starter, use short starting cycles (five seconds maximum). Wait one minute between starting cycles.

Note: If the engine does not start after repeated attempts, contact you local dealer or go to VanguardEngines.com or call **1-800-999-9333** (in USA).

Choke System

1. Check the engine oil. See the **Check Oil Level** section.
2. Make sure equipment drive controls, if equipped, are disengaged.
3. Move the fuel shut-off (A, Figure 5), if equipped, to the OPEN position.
4. Move the throttle control to the FAST position.
5. Pull out the choke control (C, Figure 5), if equipped, to the CLOSED position.

Note: To start the engine with a dry fuel system (first time starting or after running out of fuel), additional cranking time in the choke position will be required. This will give the fuel pump time to prime the fuel system.

6. Push the stop switch (D, Figure 5), if equipped, to the ON position.
7. Turn the key switch (E, Figure 5) to the ON or START position.
8. If the engine fires but will not continue to run, push in the choke control (C, Figure 5) to the OPEN position to start the engine.

NOTICE To extend the life of the starter, use short starting cycles (five seconds maximum). Wait one minute between starting cycles.

9. As the engine warms up, push in the choke control (C, Figure 5) to the OPEN position.

Note: If the engine does not start after repeated attempts, contact you local dealer or go to VanguardEngines.com or call **1-800-999-9333** (in USA).

Stop Engine



WARNING

Fuel and its vapors are extremely flammable and explosive.

Fire or explosion can cause severe burns or death.

- Do not choke the carburetor, if equipped, to stop the engine.
1. **Stop Switch, if equipped:** Move the stop switch (D, Figure 5) to the off position. **Key Switch, if equipped:** With the throttle control, if equipped, in the slow position, turn the key switch (E, Figure 5) to the off position. Remove the key and keep in a safe place out of the reach of children.
 2. After the engine stops, move the fuel shut-off (A, Figure 5), if equipped, to the closed position.

Maintenance

NOTICE If the engine is tipped during maintenance, the fuel tank, if mounted on engine, must be empty and the spark plug side must be up. If the fuel tank is not empty and if the engine is tipped in any other direction, it may be difficult to start due to oil or gasoline contaminating the air filter and/or the spark plug.



WARNING

When performing maintenance that requires the unit to be tipped, the fuel tank, if mounted on the engine, must be empty or fuel can leak out and result in a fire or explosion.

We recommend that you see any Briggs & Stratton Authorized Service Dealer for all maintenance and service of the engine and engine parts.

NOTICE All the components used to build this engine must remain in place for proper operation.



WARNING



Unintentional sparking can result in fire or electric shock.

Unintentional start-up can result in entanglement, traumatic amputation, or laceration.

Fire hazard

Before performing adjustments or repairs:

- Disconnect the spark plug wire and keep it away from the spark plug.
- Disconnect battery at negative terminal (only engines with electric start.)
- Use only correct tools.
- Do not tamper with governor spring, links or other parts to increase engine speed.
- Replacement parts must be of the same design and installed in the same position as the original parts. Other parts may not perform as well, may damage the unit, and may result in injury.
- Do not strike the flywheel with a hammer or hard object because the flywheel may later shatter during operation.

When testing for spark:

- Use approved spark plug tester.
- Do not check for spark with spark plug removed.

Emissions Control Service

Maintenance, replacement, or repair of the emissions control devices and systems may be performed by any off-road engine repair establishment or individual. However, to obtain "no charge" emissions control service, the work must be performed by a factory authorized dealer. See the Emissions Control Statements.

Maintenance Schedule

Every 8 Hours or Daily
<ul style="list-style-type: none"> • Check engine oil level • Clean area around muffler and controls
Every 100 Hours or Annually
<ul style="list-style-type: none"> • Replace spark plugs • Change engine oil • Replace oil filter (if equipped) • Service air filter ¹ • Clean pre-cleaner (if equipped) ¹ • Service exhaust system
Every 250 Hours
<ul style="list-style-type: none"> • Check valve clearance. Adjust if necessary.
Every 400 Hours or Annually
<ul style="list-style-type: none"> • Replace air filter • Replace fuel filter • Service cooling system ¹ • Clean oil cooler fins ¹

¹ In dusty conditions or when airborne debris is present, clean more often.

Carburetor and Engine Speed

Never make adjustments to the carburetor or engine speed. The carburetor was set at the factory to operate efficiently under most conditions. Do not tamper with the governor spring, linkages, or other parts to change the engine speed. If any adjustments are required contact a Briggs & Stratton Authorized Service Dealer for service.

NOTICE The equipment manufacturer specifies the maximum speed for the engine as installed on the equipment. **Do not exceed** this speed. If you are unsure what the equipment maximum speed is, or what the engine speed is set to from the factory, contact a Briggs & Stratton Authorized Service Dealer for assistance. For safe and proper operation of the equipment, the engine speed should be adjusted only by a qualified service technician.

Service Spark Plug

See Figure: 6

Check the gap (A, Figure 6) with a wire gauge (B). If necessary, reset the gap. Install and tighten the spark plug to the recommended torque. For gap setting or torque, see the **Specifications** section.

Note: In some areas, local law requires using a resistor spark plug to suppress ignition signals. If this engine was originally equipped with a resistor spark plug, use the same type for replacement.

Service Exhaust System



WARNING



Running engines produce heat. Engine parts, especially muffler, become extremely hot.

Severe thermal burns can occur on contact.

Combustible debris, such as leaves, grass, brush, etc. can catch fire.

- Allow muffler, engine cylinder and fins to cool before touching.
- Remove accumulated debris from muffler area and cylinder area.
- It is a violation of California Public Resource Code, Section 4442, to use or operate the engine on any forest-covered, brush-covered, or grass-covered land unless the exhaust system is equipped with a spark arrester, as defined in Section 4442, maintained in effective working order. Other states or federal jurisdictions may have similar laws. Contact the original equipment manufacturer, retailer, or dealer to obtain a spark arrester designed for the exhaust system installed on this engine.

Remove accumulated debris from muffler and cylinder area. Inspect the muffler for cracks, corrosion, or other damage. Remove the deflector or the spark arrester, if equipped, and inspect for damage or carbon blockage. If damage is found, install replacement parts before operating.



WARNING

Replacement parts must be of the same design and installed in the same position as the original parts. Other parts may not perform as well, may damage the unit, and may result in injury.

Change Engine Oil

See Figure: 7, 8, 9

Used oil is a hazardous waste product and must be disposed of properly. Do not discard with household waste. Check with your local authorities, service center, or dealer for safe disposal/recycling facilities.

Remove Oil

1. With engine off but still warm, disconnect the spark plug wire(s) (D, Figure 7) and keep it away from the spark plug(s) (E).
2. Remove the dipstick (A, Figure 8).
3. Remove the oil drain plug (F, Figure 9). Drain the oil into an approved container.
4. After the oil has drained, install and tighten the oil drain plug (F, Figure 9).

Change Oil Filter, if equipped

Some models are equipped with an oil filter. For replacement intervals, see the **Maintenance Schedule**.

1. Drain the oil from the engine. See **Remove Oil** section.
2. Remove the oil filter (G, Figure 9) and dispose of properly.
3. Before you install the new oil filter, lightly lubricate the oil filter gasket with fresh, clean oil.
4. Install the oil filter by hand until the gasket contacts the oil filter adapter, then tighten the oil filter 1/2 to 3/4 turns.
5. Add oil. See **Add Oil** section.
6. Start and run the engine. As the engine warms up, check for oil leaks.
7. Stop the engine and check the oil level. Correct oil level is at the top of the full indicator (B, Figure 8) on the dipstick.

Add Oil

- Make sure the engine is level.
 - Clean the oil fill area of any debris.
 - See the **Specifications** section for oil capacity.
1. Remove the dipstick (A, Figure 8) and wipe with a clean cloth.
 2. Slowly pour oil into the engine oil fill (C, Figure 8). **Do not overfill**. After adding oil, wait one minute and then check the oil level.
 3. Install and tighten the dipstick (A, Figure 8).
 4. Remove the dipstick and check the oil level. Correct oil level is at the top of the full indicator (B, Figure 8) on the dipstick.
 5. Reinstall and tighten the dipstick (A, Figure 8).
 6. Connect the spark plug wire(s) (D, Figure 7) to the spark plug(s) (E).

Service Air Filter

See Figure: 10



Fuel and its vapors are extremely flammable and explosive.

Fire or explosion can cause severe burns or death.

- Never start and run the engine with the air cleaner assembly (if equipped) or the air filter (if equipped) removed.

NOTICE Do not use pressurized air or solvents to clean the filter. Pressurized air can damage the filter and solvents will dissolve the filter.

See the **Maintenance Schedule** for service requirements.

The air filter system uses a paper filter with an optional pre-cleaner. The pre-cleaner can be washed and reused.

1. Remove the fastener(s) (A, Figure 10).
2. Remove the cover (B, Figure 10).
3. Remove the fastener(s) (C, Figure 10) and retainer (D).
4. Remove the air filter (E, Figure 10).
5. Remove the pre-cleaner (F, Figure 10), if equipped, from the air filter (E).
6. To loosen debris, gently tap the air filter (E, Figure 10) on a hard surface. If the air filter is excessively dirty, replace with a new air filter.
7. Wash the pre-cleaner (F, Figure 10), if equipped, in liquid detergent and water. Allow the pre-cleaner to thoroughly air dry. **Do not** oil the pre-cleaner.
8. Assemble the dry pre-cleaner (F, Figure 10), if equipped, to the air filter (E).
9. Install the air filter (E, Figure 10) and secure with retainer (D) and fastener(s) (C).
10. Install the cover (B, Figure 10) and secure with the fastener(s) (A). Make sure the fastener(s) is tight.

Service Fuel System

See Figure: 11



Fuel and its vapors are extremely flammable and explosive.

Fire or explosion can cause severe burns or death.

- Keep fuel away from sparks, open flames, pilot lights, heat, and other ignition sources.
- Check fuel lines, tank, cap, and fittings frequently for cracks or leaks. Replace if necessary.
- Before cleaning or replacing the fuel filter, drain the fuel tank or close the fuel shut-off valve.
- If fuel spills, wait until it evaporates before starting engine.
- Replacement parts must be the same and installed in the same position as the original parts.

Fuel Filter, if equipped

1. Before replacing the fuel filter (A, Figure 11), if equipped, drain the fuel tank or close the fuel shut-off valve. Otherwise, fuel can leak out and cause a fire or explosion.
2. Use pliers to squeeze tabs (B, Figure 11) on the clamps (C), then slide the clamps away from the fuel filter (A). Twist and pull the fuel lines (D) off of the fuel filter.
3. Check the fuel lines (D, Figure 11) for cracks or leaks. Replace if necessary.
4. Replace the fuel filter (A, Figure 11) with an original equipment replacement filter.
5. Secure the fuel lines (D, Figure 11) with clamps (C) as shown.

Service Cooling System



Running engines produce heat. Engine parts, especially muffler, become extremely hot.

Severe thermal burns can occur on contact.

Combustible debris, such as leaves, grass, brush, etc., can catch fire.

- Allow muffler, engine cylinder and fins to cool before touching.
- Remove accumulated debris from muffler area and cylinder area.

NOTICE Do not use water to clean the engine. Water could contaminate the fuel system. Use a brush or dry cloth to clean the engine.

This is an air cooled engine. Dirt or debris can restrict air flow and cause the engine to overheat, resulting in poor performance and reduced engine life.

1. Use a brush or dry cloth to remove debris from the air intake grille.
2. Keep linkage, springs and controls clean.
3. Keep the area around and behind the muffler, if equipped, free of any combustible debris.
4. Make sure the oil cooler fins, if equipped, are free of dirt and debris.

After a period of time, debris can accumulate in the cylinder cooling fins and cause the engine to overheat. This debris cannot be removed without partial disassembly of the engine. Have a Briggs & Stratton Authorized Service Dealer inspect and clean the air cooling system as recommended in the **Maintenance Schedule**.

Storage



Fuel and its vapors are extremely flammable and explosive.

Fire or explosion can cause severe burns or death.

When Storing Fuel Or Equipment With Fuel In Tank

- Store away from furnaces, stoves, water heaters or other appliances that have pilot lights or other ignition sources because they can ignite fuel vapors.

Fuel System

See Figure: 12

Store the engine level (normal operating position). Fill fuel tank (A, Figure 12) with fuel. To allow for expansion of fuel, do not overfill above the fuel tank neck (B).

Fuel can become stale when stored over 30 days. Stale fuel causes acid and gum deposits to form in the fuel system or on essential carburetor parts. To keep fuel fresh, use **Briggs & Stratton Advanced Formula Fuel Treatment & Stabilizer**, available wherever Briggs & Stratton genuine service parts are sold.

There is no need to drain gasoline from the engine if a fuel stabilizer is added according to instructions. Run the engine for two (2) minutes to circulate the stabilizer throughout the fuel system before storage.

If gasoline in the engine has not been treated with a fuel stabilizer, it must be drained into an approved container. Run the engine until it stops from lack of fuel. The use of a fuel stabilizer in the storage container is recommended to maintain freshness.

Engine Oil

While the engine is still warm, change the engine oil. See the **Change Engine Oil** section.

Troubleshooting

For assistance, contact your local dealer or go to **VanguardEngines.com** or call **1-800-999-9333** (in USA).

Specifications

Model: 611400, 613400, 61E400, 61G400	
Displacement	60.60 ci (993 cc)
Bore	3.366 in (85,5 mm)
Stroke	3.406 in (86,5 mm)
Oil Capacity	78 - 80 oz (2,3 - 2,4 L)
Spark Plug Gap	.030 in (.76 mm)
Spark Plug Torque	180 lb-in (20 Nm)
Armature Air Gap - Carburetor Models	.005 - .008 in (.13 - .20 mm)
Intake Valve Clearance	.004 - .006 in (.10 - .15 mm)
Exhaust Valve Clearance	.007 - .009 in (.18 - .23 mm)

Engine power will decrease 3.5% for each 1,000 feet (300 meters) above sea level and 1% for each 10° F (5.6° C) above 77° F (25° C). The engine will operate satisfactorily at an angle up to 15°. Refer to the equipment operator's manual for safe allowable operating limits on slopes.

Service Parts - Model: 611400, 613400, 61E400, 61G400	
Service Part	Part Number
Paper Air Filter (Figure 10)	692519
Pre-cleaner (Figure 10)	692520
Oil - SAE 30	100028
Oil Filter	842921
Advanced Formula Fuel Treatment & Stabilizer	100117, 100120
Fuel Filter	845125
Resistor Spark Plug	491055
Long Life Platinum Spark Plug	5066
Spark Plug Wrench	19374
Spark Tester	19368

We recommend that you see any Briggs & Stratton Authorized Dealer for all maintenance and service of the engine and engine parts.

Power Ratings: The gross power rating for individual gasoline engine models is labeled in accordance with SAE (Society of Automotive Engineers) code J1940 Small Engine Power & Torque Rating Procedure, and is rated in accordance with SAE J1995. Torque values are derived at 2600 RPM for those engines with "rpm" called out on the label and 3060 RPM for all others; horsepower values are derived at 3600 RPM. The gross power curves can be viewed at www.BRIGGSandSTRATTON.COM. Net power values are taken with exhaust and air cleaner installed whereas gross power values are collected without these attachments. Actual gross engine power will be higher than net engine power and is affected by, among other things, ambient operating conditions and engine-to-engine variability. Given the wide array of products on which engines are placed, the gasoline engine may not develop the rated gross power when used in a given piece of power equipment. This difference is due to a variety of factors including, but not limited to, the variety of engine components (air cleaner, exhaust, charging, cooling, carburetor, fuel pump, etc.), application limitations, ambient operating conditions (temperature, humidity,

altitude), and engine-to-engine variability. Due to manufacturing and capacity limitations, Briggs & Stratton may substitute an engine of higher rated power for this engine.

Warranty

Briggs & Stratton Engine Warranty

Effective January 2017

Limited Warranty

Briggs & Stratton warrants that, during the warranty period specified below, it will repair or replace, free of charge, any part that is defective in material or workmanship or both. Transportation charges on product submitted for repair or replacement under this warranty must be borne by purchaser. This warranty is effective for and is subject to the time periods and conditions stated below. For warranty service, find the nearest Authorized Service Dealer in our dealer locator map at BRIGGSandSTRATTON.COM. The purchaser must contact the Authorized Service Dealer, and then make the product available to the Authorized Service Dealer for inspection and testing.

There is no other express warranty. Implied warranties, including those of merchantability and fitness for a particular purpose, are limited to the warranty period listed below, or to the extent permitted by law. Liability for incidental or consequential damages are excluded to the extent exclusion is permitted by law. Some states or countries do not allow limitations on how long an implied warranty lasts, and some states or countries do not allow the exclusion or limitation of incidental or consequential damages, so the above limitation and exclusion may not apply to you. This warranty gives you specific legal rights and you may also have other rights which vary from state to state and country to country ⁴.

Standard Warranty Terms 1, 2, 3

Brand / Product Name	Consumer Use	Commercial Use
Vanguard™; Commercial Series	36 months	36 months
Engines Featuring Dura-Bore™ Cast Iron Sleeve	24 months	12 months
All Other Engines	24 months	3 months

¹These are our standard warranty terms, but occasionally there may be additional warranty coverage that was not determined at time of publication. For a listing of current warranty terms for your engine, go to BRIGGSandSTRATTON.com or contact your Briggs & Stratton Authorized Service Dealer.

²There is no warranty for engines on equipment used for prime power in place of a utility or for standby generators used for commercial purposes. Engines used in competitive racing or on commercial or rental tracks are not warranted.

³Vanguard installed on standby generators: 24 months consumer use, no warranty commercial use. Vanguard installed on utility vehicles: 24 months consumer use, 24 months commercial use. Commercial Series with manufacturing date before July 2017, 24 months consumer use, 24 months commercial use.

⁴In Australia - Our goods come with guarantees that cannot be excluded under the Australian Consumer Law. You are entitled to a replacement or refund for a major failure and for compensation for any other reasonably foreseeable loss or damage. You are also entitled to have the goods repaired or replaced if the goods fail to be of acceptable quality and the failure does not amount to a major failure. For warranty service, find the nearest Authorized Service Dealer in our dealer locator map at BRIGGSandSTRATTON.COM, or by calling 1300 274 447, or by emailing or writing to salesenquiries@briggsandstratton.com.au, Briggs & Stratton Australia Pty Ltd, 1 Moorebank Avenue, Moorebank, NSW, Australia, 2170.

The warranty period begins on the original date of purchase by the first retail or commercial consumer. "Consumer use" means personal residential household use by a retail consumer. "Commercial use" means all other uses, including use for commercial, income producing or rental purposes. Once an engine has experienced commercial use, it shall thereafter be considered as a commercial use engine for purposes of this warranty.

Save your proof of purchase receipt. If you do not provide proof of the initial purchase date at the time warranty service is requested, the manufacturing date of the product will be used to determine the warranty period. Product registration is not required to obtain warranty service on Briggs & Stratton products.

About Your Warranty

This limited warranty covers engine-related material and/or workmanship issues only, and not replacement or refund of the equipment to which the engine may be mounted. Routine maintenance, tune-ups, adjustments, or normal wear and tear are not covered under this warranty. Similarly, warranty is not applicable if the engine has been altered or modified or if the engine serial number has been defaced or removed. This warranty does not cover engine damage or performance problems caused by:

1. The use of parts that are not original Briggs & Stratton parts;
2. Operating the engine with insufficient, contaminated, or an incorrect grade of lubricating oil;
3. The use of contaminated or stale fuel, gasoline formulated with ethanol greater than 10%, or the use of alternative fuels such as liquefied petroleum or natural gas on

engines not originally designed/manufactured by Briggs & Stratton to operate on such fuels;

4. Dirt which entered the engine because of improper air cleaner maintenance or re-assembly;
5. Striking an object with the cutter blade of a rotary lawn mower, loose or improperly installed blade adapters, impellers, or other crankshaft coupled devices, or excessive v-belt tightness;
6. Associated parts or assemblies such as clutches, transmissions, equipment controls, etc., which are not supplied by Briggs & Stratton;
7. Overheating due to grass clippings, dirt and debris, or rodent nests which plug or clog the cooling fins or flywheel area, or by operating the engine without sufficient ventilation;
8. Excessive vibration due to over-speeding, loose engine mounting, loose or unbalanced cutter blades or impellers, or improper coupling of equipment components to the crankshaft;
9. Misuse, lack of routine maintenance, shipping, handling, or warehousing of equipment, or improper engine installation.

Warranty service is available only through Briggs & Stratton Authorized Service Dealers. Locate your nearest Authorized Service Dealer in our dealer locator map at BRIGGSandSTRATTON.COM or by calling 1-800-233-3723 (in USA).

80004537 (Rev. C)

Briggs & Stratton Emissions Warranty

U.S. EPA and Briggs & Stratton Corporation Emissions Control Warranty Statement - Your Warranty Rights and Obligations

U.S. EPA and Briggs & Stratton (B&S) are pleased to explain the emissions control system warranty on your Model Year 2016-2018 engine/equipment. B&S must warrant the emissions control system on your engine/equipment for the periods of time listed below provided there has been no abuse, neglect, or improper maintenance of your engine/equipment.

Your exhaust emissions control system may include parts such as the carburetor or fuel injection system, ignition system, and catalytic converter. Also included may be hoses, belts, connectors, sensors, and other emissions-related assemblies. Your evaporative emission control system may include parts such as: carburetors, fuel tanks, fuel lines, fuel caps, valves, canisters, filters, vapor hoses, clamps, connectors, and other associated components.

Where a warrantable condition exists, B&S will repair your engine/equipment at no cost to you including diagnosis, parts, and labor.

Manufacturer's Warranty Coverage:

Marine engines are warranted for five (5) years or 175 hours, whichever occurs first. If any emissions-related part on your engine/equipment is defective, the part will be repaired or replaced by B&S.

Owner's Warranty Responsibilities:

- As the engine/equipment owner, you are responsible for the performance of the required maintenance listed in your Operator's Manual. B&S recommends that you retain all receipts covering maintenance on your engine/equipment, but B&S cannot deny warranty solely for the lack of receipts or your failure to ensure the performance of all scheduled maintenance.
- As the engine/equipment owner, you should however be aware that B&S may deny you warranty coverage if your engine/equipment or a part has failed due to abuse, neglect, improper maintenance, or unapproved modifications.
- You are responsible for presenting your engine/equipment to a B&S distribution center, servicing dealer, or other equivalent entity, as applicable, as soon as a problem exists. The warranty repairs should be completed in a reasonable amount of time, not to exceed 30 days. If you have any questions regarding your warranty rights and responsibilities, you should contact B&S at 1-800-444-7774 (in USA) or BRIGGSandSTRATTON.COM.

Briggs & Stratton Emissions Control Warranty Provisions

The following are specific provisions relative to your Emissions Control Warranty Coverage. It is in addition to the B&S engine warranty for non-regulated engines found in the Operator's Manual.

1. Warranted Emissions Parts
Coverage under this warranty extends only to the parts listed below (the emissions control systems parts) to the extent these parts were present on the B&S engine and/or B&S supplied fuel system.
 - a. Fuel Metering System
 - Cold start enrichment system (soft choke)
 - Carburetor or fuel injection system

- Oxygen sensor
- Electronic control unit
- Fuel pump module
- Fuel line, fuel line fittings, clamps
- Fuel tank, cap and tether
- Carbon canister

- b. Air Induction System

- Air cleaner
- Intake manifold
- Purge and vent line

- c. Ignition System

- Spark plug(s)
- Magneto ignition system

- d. Catalyst System

- Catalytic converter
- Exhaust manifold
- Air injection system or pulse valve

- e. Miscellaneous Items Used in Above Systems

- Vacuum, temperature, position, time sensitive valves and switches
- Connectors and assemblies

2. Length of Coverage

For a period of five (5) years from date of original purchase, or 175 hours, whichever occurs first, B&S warrants to the original purchaser and each subsequent purchaser that the engine is designed, built, and equipped so as to conform with all applicable regulations; that it is free from defects in material and workmanship that could cause the failure of a warranted part; and that it is identical in all material respects to the engine described in the manufacturer's application for certification. The warranty period begins on the date the engine is originally purchased.

The warranty on emissions-related parts is as follows:

- Any warranted part that is not scheduled for replacement as required maintenance in the Operator's Manual supplied, is warranted for the warranty period stated above. If any such part fails during the period of warranty coverage, the part will be repaired or replaced by B&S at no charge to the owner. Any such part repaired or replaced under the warranty will be warranted for the remaining warranty period.
 - Any warranted part that is scheduled only for regular inspection in the Operator's Manual supplied, is warranted for the warranty period stated above. Any such part repaired or replaced under warranty will be warranted for the remaining warranty period.
 - Any warranted part that is scheduled for replacement as required maintenance in the Operator's Manual supplied, is warranted for the period of time prior to the first scheduled replacement point for that part. If the part fails prior to the first scheduled replacement, the part will be repaired or replaced by B&S at no charge to the owner. Any such part repaired or replaced under warranty will be warranted for the remainder of the period prior to the first scheduled replacement point for the part.
 - The use of any non exempted add on or modified parts by the owner will be grounds for disallowing a warranty claim. The manufacturer will not be liable to warrant failures of warranted parts caused by the use of a non exempted add on or modified part.
3. Consequential Coverage
Coverage shall extend to the failure of any engine components caused by the failure of any warranted emissions parts.
 4. Claims and Coverage Exclusions
Warranty claims shall be filed according to the provisions of the B&S engine warranty policy. Warranty coverage does not apply to failures of emissions parts that are not original equipment B&S parts or to parts that fail due to abuse, neglect, or improper maintenance as set forth in the B&S engine warranty policy. B&S is not liable for warranty coverage of failures of emissions parts caused by the use of add-on or modified parts.

80004535 (Rev C)

Denne vejledning indeholder sikkerhedsoplysninger, der skal gøre dig opmærksom på de farer og risici, der er forbundet med motorer, samt hvordan de kan undgås. Den indeholder også instrukser om korrekt brug og pleje af motoren. Eftersom Briggs & Stratton ikke nødvendigvis ved, hvilket udstyr denne motor skal drive, er det vigtigt, at du læser og forstår denne vejledning og vejledningen til det udstyr, som motoren driver. **Gem de originale anvisninger til fremtidig brug.**

Bemærk: Figurene og illustrationerne i denne vejledning er udelukkende til referencebrug og kan være anderledes end din model. Henvend dig hos din forhandler hvis du har nogen spørgsmål.

For at kunne få reservedele eller teknisk assistance fremover skal du her anføre motorens model-, type- og kodenummer sammen med købsdatoen. Disse tal er placeret på motoren (se afsnittet **Udstyr og betjeningslementer**).

Købsdato	
Motormodel - Type - Trim	
Motorserienummer	

Kig efter 2D-stregkoden, der er placeret på visse maskiner. Når den ses på en enhed med 2D viser koden vores websted, hvor du kan få adgang til supportoplysninger for dette produkt. Omkostninger til datatrafik kan forekomme. Nogle lande har ikke adgang til online supportoplysninger.



Information vedrørende bortskaffelse

		Al emballage, brugt olie og batterier skal bortskaffes i henhold til gældende statslige regler.
--	--	---

Førersikkerhed

Sikkerhedssymboler og signalord

Sikkerhedssymbolet anvendes til at identificere sikkerhedsoplysninger om farer, der kan medføre personskader. Et signalord (FARE, ADVARSEL eller FORSIGTIG) bruges sammen med advarselssymbolet til at identificere sandsynligheden og den mulige sværhedsgrad af personskaden. Desuden kan et faresymbol bruges til at repræsentere typen af fare.

FARE angiver en farlig situation, som vil medføre død eller alvorlig personskade, hvis den ikke undgås.

ADVARSEL angiver en farlig situation, som kan medføre død eller alvorlig personskade, hvis den ikke undgås.

FORSIGTIG angiver en farlig situation, som kan medføre alvorlig eller moderat personskade, hvis den ikke undgås.

BEMÆRK angiver en situation, som kan medføre beskadigelse af produktet.

Faresymboler og deres betydninger

Symbol	Betydning	Symbol	Betydning
	Sikkerhedsoplysninger om farer, der kan medføre personskade.		Læs og forstå brugervejledningen, før brug af eller servicering af enheden.

Symbol	Betydning	Symbol	Betydning
	Brandfare		Risiko for eksplosion.
	Fare for stød		Fare for giftig røg
	Fare ved varm overflade		Støjfare – Høreværn anbefales ved længere brug.
	Fare for flyvende genstande – Bær beskyttelsesbriller.		Risiko for eksplosion.
	Fare for forfrysning		Fare for tilbageslag
	Fare for amputation – Bevægelige dele		Kemikaliefare
	Fare for varme		Korroderende

Sikkerhedsmeddelelser

ADVARSEL

Visse dele på dette produkt og dets tilbehør indeholder kemikalier, som ifølge staten Californien kan forårsage kræft, fosterskader eller forplantningsskader. Vask hænder efter håndtering.

ADVARSEL

Udstødningen fra motoren på dette produkt indeholder kemikalier, som ifølge staten Californien kan forårsage kræft, fosterskader eller forplantningsskader.

ADVARSEL

Briggs & Stratton-motorer er ikke designet til og må ikke bruges til at drive: fun-karts; go-karts; terrængående børne-, fritids- eller sportskøretøjer (ATV'er); motorcykler, luftpudefartøjer; luftfartsprodukter eller køretøjer, der anvendes til konkurrenceformål, som ikke er sanktioneret af Briggs & Stratton. Se www.briggsracing.com for yderligere oplysninger om motorsportsprodukter. For brug med terrængående og side-by-side ATV'er kontakt Briggs & Stratton Engine Application Center, 1-866-927-3349. Ukorrekt motorbrug kan resultere i alvorlig personskade eller død.

ADVARSEL

Benzin og benzindampe er yderst brandfarlige og eksplosive.

Brand eller eksplosion kan medføre alvorlige forbrændinger eller død.

Under påfyldning af brændstof

- Sluk motoren, og lad den køle af i mindst to minutter, før benzindækslet fjernes.
- Påfyld brændstof udendørs eller på et godt udluftet område.
- Overfyld ikke brændstoftanken. Fyld ikke over bund brændstoftankens hals for at tillade ekspansion brændstof.
- Hold benzin væk fra gnister, åben ild, tændflammer, varme eller andre antændelseskilder.
- Kontroller hyppigt brændstoffedninger, tank, dæksel og beslag for revner eller lækage. Udskift efter behov.

- Hvis der bliver spildt brændstof, skal du vente til det er fordampet, før motoren startes.

Når motoren startes

- Sørg for at tændrør, lydpotte, brændstofdæksel og luftfilter (hvis monteret) er på plads og er fastspændte.
- Prøv ikke at starte motoren med tændrøret fjernet.
- Hvis motoren er druknet, så sæt chokeren (hvis den findes) på åbn- / kør-stilling, sæt speederen (hvis den findes) over i hurtig stilling, og bliv ved, indtil den starter.

Ved betjening af udstyret

- Undgå at vippe motoren eller udstyret, således at brændstoffet løber ud.
- Brug ikke chokeren til at standse motoren.
- Start aldrig motoren, og lad aldrig motoren køre med luftfilterenheden (hvis monteret) eller luftfiltret (hvis monteret) fjernet.

Under olieskift

- Hvis du tømmer olien fra oliepåfyldningsrøret i toppen, skal brændstofftanken være tom, da brændstoffet ellers kan løbe ud og resultere i brand eller eksplosion.

Når enheden vippes ved vedligeholdelse

- Når der udføres vedligeholdelse, der kræver, at enheden vippes, skal brændstofftanken, hvis monteret på motoren, være tom, da brændstoffet ellers kan løbe ud og resultere i brand eller eksplosion.

Under transport af udstyr

- Transport med TOM brændstofftank eller med brændstofventilen i stillingen CLOSED.

Opbevaring af brændstof eller redskaber med brændstof i tanken

- Opbevares på afstand af fyr, ovne, vandvarmere eller andet udstyr, som kan have en tændflamme eller anden antændelseskilde, da de kan antænde benzindampe.



Start af motoren forårsager gnistdannelse.

Gnister kan antænde brændbare luftarter i nærheden.

Dette kan resultere i eksplosion og brand.

- Hvis der er en lækage af natur- eller flaskegas i området, må motoren ikke startes.
- Brug ikke startvæsker under tryk, da dampene er brændbare.



FARE FOR GIFTIGE GASSER. Motorudstødning indeholder kullite, som er en giftig gas, der kan dræbe på få minutter. Du kan hverken se, lugte eller smage det. Selv om du ikke kan lugte udstødningssgasser, kan du stadigvæk være udsat for kulliteforgiftning. Hvis du begynder at få kvalme, føle dig svimmel eller svag, mens du bruger maskinen, skal du have frisk luft **MED DET SAMME**. Søg lægehjælp. Du kan være udsat for kulliteforgiftning.

- Betjen KUN denne maskine udendørs langt væk fra døre, vinduer og ventilatorer for at undgå, at kullitegasser samler sig og evt. driver hen imod steder, hvor folk befinder sig.
- Installer batteridrevne kullitealarmer eller strømtilsluttede alarmer med batterisupport i henhold til producentens vejledning. Røgalarmer kan ikke registrere kullite.
- DU MÅ IKKE betjene denne maskine indendørs i hjem, garager, kældre, krybekældre, skure eller på andre delvist lukkede steder, også selvom du bruger ventilatorer eller har åbne døre og vinduer for at sikre ordentlig ventilation. Kullite kan hurtigt akkumuleres på sådanne steder og kan være ved i timevis, efter at maskinen er blevet afbrudt.
- Anbring ALTID denne maskine i vindretningen, og sørg for, at udstødningen peger væk fra steder, hvor der er folk til stede.



Hurtig tilbagetrækning af startsnoren (tilbageslag) vil bevirke, at din hånd og arm bliver trukket hurtigere mod motoren, end du kan kontrollere.

Konsekvenserne kan være brækkede knogler, skrammer eller forstuvninger.

- Når du starter motoren, så træk langsomt i startsnoren, indtil der mærkes modstand, og træk så kraftigt for at undgå tilbageslag.

- Fjern alle ydre anordninger / belastninger på motoren, før du starter den.
- Direkte tilkoblede dele på udstyret f.eks. skæreknive, skovlhjul, remskiver, kædehjul osv. skal være forsvarligt monteret.



Roterende dele kan komme i kontakt med eller gribe hænder, fødder, hår, beklædning og smykker.

Dette kan medføre, at legemsdele skæres af, eller at brugeren får alvorlige snitsår.

- Redskaber må kun anvendes med alle sikkerhedsafskærmninger på plads.
- Hold hænder og fødder i sikker afstand fra roterende dele.
- Bind langt hår op, og fjern smykker.
- Undgå at bære løstsiddende tøj, tøj med snore eller andre genstande, der kan sætte sig fast i de roterende dele.



Kørende motorer danner varme. Motordele, især lydpotte, bliver ekstremt varme.

Alvorlige forbrændinger kan opstå ved kontakt.

Brændbart affald såsom blade, græs, krat osv. kan blive antændt.

- Lad lydpotte, motorcylinder og køleribber køle af, før du rører ved dem.
- Fjern brændbart materiale fra området omkring lydpotten og cylinderen.
- Det er en overtrædelse af staten Californiens forskrifter om offentlige ressourcer, afsnit 4442 at bruge eller betjene motoren på ethvert skov-, krat- eller græsdækket område med mindre udstødningssystemet er forsynet med en korrekt vedligeholdt gnistfanger, som beskrevet i afsnit 4442. Andre stater eller forbundsområder kan have tilsvarende love. Kontakt en autoriseret fabrikant eller serviceforhandler angående anskaffelse af en gnistfanger, der er konstrueret til det udstødningssystem, der er monteret på den pågældende maskine.



Utilsigtede gnister kan resultere i brand eller elektrisk stød.

Utilsigtet start kan resultere i indvikling, traumatisk amputation eller lemlæstelse.

Brandfare

Inden påbegyndelse af justeringer eller reparationer:

- Fjern tændrørskablet, og hold det på behørig afstand af tændrøret.
- Frakobl batteriet på den negative terminal (gælder kun motorer med elektrisk start).
- Brug passende værktøjer.
- Undlad at røre ved regulatorfjederen, forbindelser eller andre dele, der er med til at øge motorens hastighed.
- Reservedelene skal have samme udformning, og de skal placeres på præcis samme måde som de originale dele. Andre reservedele vil ikke give den samme ydelsesgrad, kan ødelægge maskinen og resultere i personskade.
- Slå aldrig på svinghjulet med en hammer eller en hård genstand, da dette kan få svinghjulet til at splintres under drift.

Under test af gnister:

- Brug en godkendt tændrørstester.
- Test ikke for gnister med tændrøret fjernet.

Funktioner og betjeningsanordninger

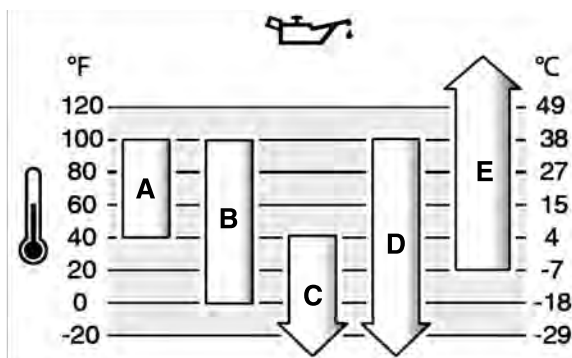
Motorens betjeningslementer

Sammenlign illustrationen (figur: 1, 2) med din motor for at lære placeringen af udstyr og betjeningslementer.

- Identifikation af motoren Model-, type- og kodenummer
- Tændrør
- Air Cleaner, lavprofil

- D. Oliepind
- E. Oliepåfyldning
- F. Oliefilter
- G. Olieaftapningsprop
- H. Olietrykssensor
- I. Luftindsugningsgitter
- J. Elstarter
- K. Startersolenoid
- L. Regulator/ensretter
- M. Oliekøler (hvis monteret)
- N. Lydpotte (hvis monteret)
- O. Brændstofpumpe
- P. Startkontakt ¹
- Q. Chokerregulator - Karburatormodeller ¹
- R. Brændstoffilter (hvis monteret)

¹ Nogle motorer og noget udstyr har fjernbetjening. Se udstyrsmanualen for placering og betjening af fjernbetjeningen.



A	SAE 30 - Under 4 °C (40 °F) vil brugen af SAE 30 gøre det svært at starte.
B	10W-30 - Over 27 °C (80 °F) kan brugen af 10W-30 medføre forhøjet olieforbrug. Kontrollér oliestanden oftere.
C	5W-30
D	Syntetisk 5W-30
E	Vanguard™ syntetisk 15W-50

Motorfaresymboler og deres betydninger

Symbol	Betydning	Symbol	Betydning
	Motorhastighed - HURTIG		Motorhastighed - LANGSOM
	Motorhastighed - STOP		TIL - FRA
	Motorstart - choker LUKKET		Motorstart - choker ÅBEN
	Brændstofdæksel Brændstoffane - ÅBEN		Brændstoffane - LUKKET
	Brændstofniveau - maks. Undgå at overfylde		

Betjening

Olieanbefalinger

Oliekapacitet: Se afsnittet *Specifikationer*.

BEMÆRK

Denne motor blev leveret af Briggs & Stratton uden olie. Producenter eller forhandlere af udstyret kan have fyldt olie på motoren. Inden du starter motoren første gang, skal du sørge for at kontrollere oliestanden og påfylde olie i overensstemmelse med anvisningerne i denne manual. Hvis du starter motoren uden olie, vil den blive beskadiget uden mulighed for at reparere den, og det er ikke omfattet af garantien.

Vi anbefaler at bruge olie, der er garantigodkendt af Briggs & Stratton for at opnå den bedste ydeevne. Andre selvrensende olier af høj kvalitet er acceptable, hvis de er godkendt til SF-, SG-, SH-, SJ-service eller højere. Undlad at bruge specielle tilsætningsstoffer.

Udendørstemperaturer er afgørende for den passende olieviskositet til motoren. Brug tabellen til at vælge den bedste viskositet til det forventede udendørs temperaturinterval. Motorer i det meste udstyr til udendørs brug kører godt med syntetisk olie 5W-30. Til udstyr, der bruges i varmere temperaturer, yder Vanguard™ 15W-50 syntetisk olie den bedste beskyttelse.

Kontrollér oliestanden

Se figur: 3

Før påfyldning eller kontrol af olien

- Kontrollér, at motoren står plant.
- Rengør oliepåfyldningsområdet for affaldsrester.

1. Fjern oliepinde (A, figur 3), og tør den af med en ren klud.
2. Sæt oliepinde helt i (A, figur 3).
3. Træk oliepinde op, og kontrollér oliestanden. Du finder den korrekte oliestand øverst på indikatoren for fuld (B, figur 3) på oliepinde.
4. Hvis oliestanden er for lav, skal du langsomt påfylde olie i motoroliepåfyldningen (C, figur 3). **Undgå at overfylde.** Efter oliepåfyldningen vent et minut, og kontrollér så oliestanden.
5. Sæt oliepinde helt i (A, figur 3).

Beskyttelsessystem for lav oliestand (hvis monteret)

Nogle motorer er udstyret med en sensor for lav oliestand. Hvis oliestanden er lav, aktiverer sensoren enten et advarselslys eller standser motoren. Stands motoren, og følg disse trin, før du genstarter motoren.

- Kontrollér, at motoren står plant.
- kontrollér derefter oliestanden. Se afsnittet *Kontrollér oliestand*.
- Hvis oliestanden er lav, så tilføj den korrekte mængde olie. Start motoren, og sørg for, at advarselslyset (hvis monteret) ikke er aktiveret.
- Hvis oliestanden ikke er lav, må du ikke starte motoren. Kontakt en autoriseret forhandler fra Briggs & Stratton for at få rettet olieproblemet.

Anbefalet brændstof

Brændstoffet skal opfylde disse krav:

- Ren, frisk blyfri benzin.
- Minimum 87 oktan/87 AKI (91 RON). Anvendelse i store højder; se nedenfor.
- Benzin med op til 10 % etanol (gasohol) er acceptabelt.

BEMÆRK Der må ikke bruges ikke-godkendt benzin, som for eksempel E85. Der må ikke blandes olie i benzin, og der må ikke foretages ændringer på motoren for at køre med alternative brændstoffer. Brug af ikke-godkendt brændstof resulterer i skader på motorkomponenterne, som ikke vil være dækket af garantien.

For at beskytte brændstofsysteget mod dannelse af gummi kan en stabilisator iblandes brændstoffet. Se *Opbevaring*. Brændstoffer er forskellige. Såfremt du oplever start- eller driftsproblemer, så skift brændstof leverandør eller mærke. Motoren er certificeret til drift med benzin. Emissionskontrollsystemet for denne motor er EM (Engine Modifications).

Højder

Ved højder over 1.524 m (5.000 fod) er en minimum 85 oktan/85 AKI (89 RON) benzin acceptabel.

Til karburatormotorer kræves justering ved anvendelse i store højder for at opretholde driften. Drift uden disse justeringer vil medføre en nedgang i ydelse, en stigning i brændstofforbrug og øget emissioner. Besøg en autoriseret forhandler Briggs & Stratton for at få oplysninger om højde tilpasning. Drift af en motor, der er justeret til store højder, kan ikke anbefales i højder under 762 m (2.500 fod).

For motorer med elektronisk brændstofindsprøjtning (EFI), er det ikke nødvendigt at udføre justering ved anvendelse i store højder.

Påfyld brændstof

Se figur: 4



ADVARSEL

Benzin og benzindampe er yderst brandfarlige og eksplosive.

Brand eller eksplosion kan medføre alvorlige forbrændinger eller døden.

Under påfyldning af brændstof

- Sluk motoren og lad den køle af i mindst 2 minutter, før benzindækslet fjernes.
 - Påfyld brændstof udendørs eller på et godt udluftet område.
 - Overfyld ikke brændstoffranken. For at give plads til udvidelse skal du undlade at fylde op over bunden af tankens brændstoffkant.
 - Hold benzin væk fra gnister, åben ild, tændflammer, varme eller andre antændelseskilder.
 - Kontroller hyppigt brændstofledninger, tank, dæksel og beslag for revner eller lækage. Udskift efter behov.
 - Hvis der bliver spildt brændstof, skal du vente til det er fordampet, før motoren startes.
1. Rengør brændstofdækslet for snavs og affaldsrester. Fjern brændstofdækslet.
 2. Påfyld brændstoffranken (A, figur 4) med brændstof. For at give plads til udvidelse, undlad at fylde op over bunden af tankens brændstoffkant (B).
 3. Sæt dækslet tilbage på plads.

Start og stop motoren

Se figur: 5

Start motoren



ADVARSEL

Benzin og benzindampe er yderst brandfarlige og eksplosive.

Brand eller eksplosion kan medføre alvorlige forbrændinger eller død.

Når motoren startes

- Sørg for at tændrør, lydpotte, brændstofdæksel og luffilter (hvis monteret) er på plads og er fastspændte.
- Prøv ikke at starte motoren med tændrøret fjernet.
- Hvis motoren er druknet, så sæt chokeren (hvis den findes) på ÅBEN/KØR-position, sæt speederen (hvis den findes) over i HURTIG-position, og bliv ved, indtil den starter.



ADVARSEL

FARE FOR GIFTIGE GASSER. Motorudstødning indeholder kulilte, som er en giftig gas, der kan dræbe på få minutter. Du kan hverken se, lugte eller smage det. Selv om du ikke kan lugte udstødningsgasser, kan du stadigvæk være udsat for kulilteforgiftning. Hvis du begynder at føle dig utilpas, svimmel eller svag under betjening af denne maskine, skal du slukke for den og sørge for at få frisk luft OMGÅENDE. Søg lægehjælp. Du kan være udsat for kulilteforgiftning.

- Betjen KUN denne maskine udendørs langt væk fra døre, vinduer og ventilatorer for at undgå, at kuliltegasser samler sig og evt. driver hen imod steder, hvor folk befinder sig.
- Installer batteridrevne kuliltealarmer eller strømtilsluttede alarmer med batterisupport i henhold til producentens vejledning. Røgalarmer kan ikke registrere kulilte.
- DU MÅ IKKE betjene denne maskine indendørs i hjem, garager, kældre, krybekældre, skure eller på andre delvist lukkede steder, også selvom du bruger ventilatorer eller har åbne døre og vinduer for at sikre ordentlig ventilation. Kulilte kan hurtigt akkumuleres på sådanne steder og kan vare ved i timevis, efter at maskinen er blevet afbrudt.
- Placer ALTID dette produkt i vindretningen, og lad motorens udstødning vende væk fra områder, hvor der opholder sig folk.

BEMÆRK Denne motor blev leveret af Briggs & Stratton uden olie. Inden du starter motoren, skal du sørge for at påfylde olie i overensstemmelse med anvisningerne i denne manual. Hvis du starter motoren uden olie, vil den blive beskadiget uden mulighed for at reparere den, og det er ikke omfattet af garantien.

Identificer startsystemet

Før du starter motoren, skal du identificere den type startsystem, som befinder sig på din motor. Din motor vil have en af følgende typer.

- **Elektronisk brændstofindsprøjtningssystem**: Dette leveres med elektronisk brændstofindsprøjtning. Den har ikke en choker eller en tændning.
- **Chokersystem**: Denne leveres med en choker, som kan bruges til at starte i koldt vejr. Nogle modeller har en separat chokerregulering, mens andre har en kombination af choker- og gasregulering. Denne type har ikke en tændning.

Bemærk: Udstyret kan have fjernbetjening. Se udstyrsmanualen for placering og betjening af fjernbetjeningen.

Electronic Fuel Injection (EFI)-system

1. Kontroller motoroliestanden. Se afsnittet **Kontrol af olieniveau**.
2. Sørg for, at udstyrets kørselsbetjeningsanordninger, hvis monteret, er frakoblet.
3. Sæt brændstoffhanen (A, figur 5) i positionen ÅBEN, hvis monteret.
4. Flyt gashåndtaget til positionen SLOW.
5. Tryk stopknappen (D, figur 5), hvis monteret, til stillingen TIL.
6. Drej den elektriske startkontakt (E, figur 5) til positionen TÆND eller START.

BEMÆRK Starterens levetid kan forlænges ved at bruge korte startcyklusser (maks. fem sekunder). Vent ét minut mellem startcyklusserne.

Bemærk: Hvis motoren ikke starter efter gentagne forsøg, skal du kontakte din lokale forhandler eller gå til VanguardEngines.com eller ringe til **1-800-999-9333** (i USA).

Chokersystemet

1. Kontroller motoroliestanden. Se afsnittet **Kontrol af olieniveau**.
2. Sørg for, at udstyrets kørselsbetjeningsanordninger, hvis monteret, er frakoblet.
3. Sæt brændstoffhanen (A, figur 5) i positionen ÅBEN, hvis monteret.
4. Flyt gashåndtaget til positionen FAST.
5. Træk chokerregulatoren ud (C, figur 5), hvis monteret, i positionen LUKKET.

Bemærk: Hvis man starter motoren med et tørlagt brændstofsystem (første start eller efter at være løbet tør for brændstof), er der behov for ekstra starttid i positionen choke. Det giver brændstoffpumpen tid til at fylde brændstofsystemet op.

6. Tryk stopknappen (D, figur 5), hvis monteret, til stillingen TIL.
7. Drej tændingskontakten (E, figur 5) til positionen TIL/START.
8. Hvis motoren starter men ikke kan fortsætte med at køre, skal du trykke chokerregulatoren ind (C, figur 5) til positionen ÅBEN for at starte motoren.

BEMÆRK Starterens levetid kan forlænges ved at bruge korte startcyklusser (maks. fem sekunder). Vent ét minut mellem startcyklusserne.

9. Når motoren bliver varm, skal du trykke chokerregulatoren ind (C, figur 5) til positionen ÅBEN.

Bemærk: Hvis motoren ikke starter efter gentagne forsøg, skal du kontakte din lokale forhandler eller gå til VanguardEngines.com eller ringe til **1-800-999-9333** (i USA).

Stop motoren



ADVARSEL

Brændstof og brændstoffdampe er yderst brandfarlige og eksplosive.

Brand eller eksplosion kan medføre alvorlige forbrændinger eller døden.

- Brug ikke chokeren, hvis monteret, til at stoppe motoren.

1. **Stopkontakt, hvis monteret:** Drej stopkontakten (D, figur 5) til positionen FRA. **Tændingskontakt, hvis monteret:** Indstil gasregulatoren, hvis monteret, til stillingen LANGSOM, og drej tændingskontakten (E, figur 5) til stillingen FRA. Tag nøglen ud og opbevar den på et sikkert sted uden for børns rækkevidde.
2. Efter at motoren er standset, drej brændstoffhanen (A, figur 5), hvis monteret, til positionen LUKKET.

Vedligeholdelse

BEMÆRK Hvis græsslåmaskinen hældes under vedligeholdelse, skal brændstoffet udtømmes og tændrørssiden skal vende op. Hvis brændstoftanken ikke er tom og hvis motoren bliver hældt i en anden retning, kan det være svært at starte motoren pga. olie eller brændstof forurener luftfilteret og/eller tændrøret.



ADVARSEL

Når der udføres vedligeholdelse, der kræver, at enheden vippes, skal brændstoftanken være tom, da brændstoffet ellers kan løbe ud og resultere i brand eller eksplosion.

Vi anbefaler, at du kontakter en autoriseret serviceforhandler fra Briggs & Stratton vedrørende al vedligeholdelse og service af motoren og motordele.

BEMÆRK Alle dele i denne motor skal være korrekt placeret for at give korrekt funktion.



ADVARSEL



Gnister, som frembringes ved et uheld, kan medføre brand eller stød.

Uplanlagt start kan resultere i indvikling, traumatisk amputation eller lemlæstelse.

Brandfare

Inden påbegyndelse af justeringer eller reparationer:

- Fjern tændrørskablet og hold det på behørig afstand af tændrøret.
- Tag minuskablet af batteriet, hvis motoren er udstyret med el-starter.
- Brug passende redskaber.
- FORETAG ALDRIG ændring af regulatorfjederen, forbindelser eller andre dele for at øge motorens omdrejningstal.
- Reservedelene skal have samme udformning og de skal placeres på præcis samme måde som de originale dele. Andre reservedele vil ikke give den samme ydelsesgrad, kan ødelægge maskinen og resultere i personskade.
- Slå aldrig på svinghjulet med en hammer eller en hård genstand, da dette kan få svinghjulet til at splintres under drift.

Under test af gnister:

- Brug en godkendt tændrørstester.
- Test ikke for gnist med tændrøret fjernet.

Udførelse af udledningskontrol

Vedligeholdelse, udskiftning eller reparation af udledningskontrolenheder og systemer kan udføres af et ikke autoriseret værksted eller af en enkeltperson. For at få udført udledningskontrolservice "uden beregning" skal arbejdet imidlertid udføres af en autoriseret forhandler. Se erklæringer om udledningskontrol.

Vedligeholdelsesskema

Hver 8. time eller dagligt
<ul style="list-style-type: none">• Kontrollér motorens oliestand• Rengør området omkring lydpotte og styring
For hver 100 driftstimer eller én gang årligt
<ul style="list-style-type: none">• Udskift tændrør• Skift motorolie• Udskift oliefilter (hvis monteret)• Servicer luftfiltret ¹• Rengør forfilteret (hvis monteret) ¹• Servicer udstødningssystemet
Efter hver 250 timer
<ul style="list-style-type: none">• Kontroller ventilspillerum. Juster efter behov.
For hver 400 driftstimer eller én gang årligt
<ul style="list-style-type: none">• Udskift luftfilter• Udskift brændstoffilter• Servicer kølesystemet ¹• Rengør finner på olie køler ¹

¹ Under støvede forhold eller når luftbåret snavs er til stede, rengør da oftere.

Karburator og motorhastighed

Foretag aldrig justering af karburator og motorhastighed. Karburatoren er fabriksindstillet til at virke effektivt under de fleste omstændigheder. Undlad at røre ved regulatorfjederen, forbindelser eller andre dele der er med til at øge motorens hastighed. Hvis der er behov for justering, så kontakt en autoriseret serviceforhandler fra Briggs & Stratton for service.

BEMÆRK Denne udstyrsfabrikant specificerer maks. hastighed for motoren, som er installeret på udstyret. **Overskrid ikke** denne hastighed. Hvis du ikke er sikker på, hvad maks. hastigheden er på udstyret, eller hvilken motorhastighed, der er indstillet fra fabrikken af, så kontakt en autoriseret serviceforhandler fra Briggs & Stratton for hjælp. For sikker og korrekt brug af udstyret, skal motorhastigheden kun justeres af en uddannet servicetekniker.

Servicer tændrør

Se figur: 6

Kontroller afstanden (A, figur 6) med en afstandsmåler (B). Om nødvendigt genindstil afstanden. Monter og fastspænd tændrøret til det anbefalede moment. Mht. afstandsindstilling og moment, se afsnittet **Specifikationer**.

Bemærk: Nogle steder kræver lokal lovgivning anvendelse af et modstands tændrør for at undertrykke tændingssignaler. Hvis motoren oprindeligt var udstyret med et modstands tændrør, så brug den samme type når du udskifter.

Servicering af udstødningssystem



ADVARSEL

Kørende motorer danner varme. Motordele, især lydpotten, bliver ekstremt varme.

Kontakt med varme dele kan forårsage alvorlige forbrændinger.

Der kan gå ild i brændbart affald, som f.eks. blade, græs og grene.

- Lad lydpotte, motorcylinder og køleribber køle af, før du rører ved dem.
- Fjern brændbart materiale fra området omkring lydpotten og cylinderen.
- Det er en overtrædelse af staten Californiens offentlige ressource forskrifter, afsnit 4442 at bruge eller betjene motoren på ethvert skov-, krat- eller græs-dækket område med mindre udstødningssystemet er forsynet med en korrekt vedligeholdt gnistfanger, som beskrevet i afsnit 4442. Andre stater eller forbundsområder kan have tilsvarende love. Kontakt en autoriseret serviceforhandler angående anskaffelse af en gnistfanger, der er konstrueret til det udstødningssystem, der er monteret på den pågældende maskine.

Fjern brændbart materiale fra området omkring lydpotten og cylinderen. Kontrollér lydpotten for revner, korrosion eller andre skader. Fjern gnistaflederen, hvis den er monteret, og kontrollér den for skader eller karbonblokering. Hvis der er skade, skal der monteres reservedele, før brug.



ADVARSEL

Reservedelene skal have samme udformning og de skal placeres på præcis samme måde som de originale dele. Andre reservedele vil ikke give den samme ydelsesgrad, kan ødelægge maskinen og resultere i personskade.

Skift motorolie

Se figur: 7, 8, 9

Brugt olie er et farligt affaldsprodukt og skal bortskaffes på passende måde. Undgå at bortkaste sammen med husholdningsaffald. Undersøg med de lokale myndigheder, servicecenter eller forhandler hvordan man kan komme af med det på en genbrugsstation.

Aftapning af olie

1. Med motoren standset, men stadig varm, trækkes ledningen til tændrøret ud (D, figur 7) og holdes væk fra tændrøret/-rørene (E).
2. Fjern oliepipen (A, figur 8).
3. Afmonter olieaftapningsproppen (F, figur 9). Udtøm olien i en godkendt beholder.
4. Monter og spænd olieaftapningsproppen (F, figur 9), efter at olien er tappet af.

Skift oliefilter, hvis monteret

Nogle modeller er udstyret med et oliefilter. Udskiftningsintervallerne fremgår af **vedligeholdelseskemaet**.

1. Tap olien af motoren. Se afsnittet **Aftapning af olie**.
2. Afmonter oliefilteret (G, figur 9), og bortskaf det på behørig vis.
3. Før du monterer det nye oliefilter, skal du smøre oliefilterets pakning med et tyndt lag ny, ren olie.
4. Monter det nye oliefilter med håndkraft, indtil pakningen har kontakt med oliefilteradapteren, og stram derefter oliefilteret 1/2 til 3/4 omdrejning.
5. Påfyld olie. Se afsnittet **Påfyldning af olie**.
6. Start og stop motoren. Kontroller for olielækager, mens motoren bliver varm.
7. Stands motoren, og kontroller oliestanden. Du finder den korrekte oliestand øverst på indikatoren for fuld (B, figur 8) på oliepinden.

Påfyldning af olie

- Kontrollér, at motoren står plant.
 - Rengør oliepåfyldningsområdet for affaldsrester.
 - Se **Specifikationsafsnittet** mht. oliekapacitet.
1. Fjern oliepinden (A, figur 8), og tør den af med en ren klud.
 2. Hæld olie langsomt i motorpåfyldningen (C, figur 8). **Undgå at overfylde.** Efter oliepåfyldningen vent et minut, og kontroller så oliestanden.
 3. Sæt oliepinden i, og spænd den (A, figur 8).
 4. Træk oliepinden op, og kontroller oliestanden. Du finder den korrekte oliestand øverst på indikatoren for fuld (B, figur 8) på oliepinden.
 5. Sæt oliepinden på plads, og spænd den igen (A, figur 8).
 6. Tilslut ledningen/ledningerne til tændrøret/-rørene (D, figur 7) til tændrøret/-rørene (E).

Servicér luftfilteret

Se figur: 10



Brændstof og brændstofdampe er yderst brandfarlige og eksplosive.

Brand eller eksplosion kan medføre alvorlige forbrændinger eller døden.

- Start aldrig motoren eller lad den køre uden luftrensningsmontagen (om nødvendigt) eller uden luftfilteret (om nødvendigt).

BEMÆRK Undlad at bruge komprimeret luft eller rengøringsmidler til rengøring af filteret. Komprimeret luft kan beskadige filteret og rengøringsmidler vil opløse filteret.

Se **vedligeholdelsesoversigten** for servicekrav.

Luftfiltersystemet anvender et papirfilter med et forfilter (ekstraudstyr). Forfilteret kan vaskes og genbruges.

1. Fjern monteringsanordning(erne) (A, figur 10).
2. Afmonter dækslet (B, figur 10).
3. Fjern monteringsanordning(er) (C, figur 10), og holderen (D).
4. Fjern luftfilteret (E, figur 10).
5. Fjern forfilteret (F, figur 10), hvis monteret, fra luftfilteret (E).
6. For at løsne rester bankes luftfilteret (E, figur 10) forsigtigt mod en hård overflade. Hvis luftfilteret er meget snavset, skal det udskiftes med et nyt.
7. Vask forfilteret (F, figur 10), hvis monteret, i flydende rengøringsmiddel og vand. Lad forfilteret lufttørre grundigt. **Smør ikke** olie på forfilteret.
8. Saml det tørre forfilter (F, figur 10), hvis monteret, på luftfilteret (E).
9. Monter luftfilteret (E, figur 10), og fastgør det med holderen (D) og møtrik(ker) (C).
10. Monter dækslet (B, figur 10), og fastgør det med monteringsanordning(er) (A). Sørg for at fastgørelsesbolten er strammet.

Servicér brændstofsyste

Se figur: 11



Benzin og benzindampe er ekstremt brændbare og eksplosive.

Brand eller eksplosion kan forårsage alvorlige forbrændinger eller dødsfald.

- Hold benzin væk fra gnister, åben ild, tændflammer, varme eller andre antændelseskilder.
- Kontroller hyppigt brændstofledninger, tank, dæksel og beslag for revner eller lækage. Udskift efter behov.
- Før rengøring eller udskiftning af brændstof filteret skal du aftappe eller lukke brændstoftanken eller dens hane.
- Hvis der bliver spildt brændstof, skal du vente til det er fordampet, før motoren startes.
- Udskiftningsdele skal være af samme type som originaldelene og skal monteres samme sted.

Brændstoffilter, hvis monteret

1. Før udskiftning af brændstoffilteret (A, figur 11), hvis monteret, skal du tømme tanken eller lukke for brændstofhanen. Ellers kan brændstoffet sive ud og forårsage brand eller en eksplosion.
2. Brug en bidetang til at klemme skruerne (B, figur 11) på spændbøjlerne (C), og skyd derefter spændbøjlerne væk fra brændstoffilteret (A). Drej og træk brændstofslangerne (D) af brændstoffilteret.
3. Tjek brændstofslangerne (D, figur 11) for revner eller utætheder. Udskift efter behov.
4. Udskiftning af brændstoffilter (A, figur 11) med et originalt udskiftningsfilter.
5. Fastgør brændstofslangerne (D, figur 11) med klemmerne (C) som vist.

Servicering af kølesystem



Kørende motorer danner varme. Motordele, især lydpotten, bliver ekstremt varme.

Kontakt med varme dele kan forårsage alvorlige forbrændinger.

Der kan gå ild i brændbart affald, som f.eks. blade, græs og grene.

- Lad lydpotte, motorcylinder og køleribber køle af, før du rører ved dem.
- Fjern brændbart materiale fra området omkring lydpotten og cylinderen.

BEMÆRK Brug ikke vand til at rengøre motoren. Vand kan forurene brændstofsyste

Brug i stedet en børste eller en tør klud til at rengøre motoren.

Dette er en luftkølet motor. Dette er en luftkølet motor. Snavs og rester kan begrænse luftstrømmen og resultere i overhedning af motoren med forringet ydelse og reduceret levetid af motoren til følge.

1. Anvend en børste eller en tør klud til at fjerne snavs fra luftindsugningsområdet.
2. Sørg for, at forbindelseskabler, fjedre og betjeningsgreb er rene
3. Hold området omkring og bag ved lydæmperen fri for græs eller snavs for at undgå antænding af dette
4. Kontrollér, at olie køleribberne, hvis monteret, er fri for snavs og affald.

Med tiden kan der samle sig snavs i cylinderens køleribber, hvilket kan medføre overophedning af motoren. Dette snavs kan ikke ses uden delvist at adskille motoren. Få en autoriseret serviceforhandler fra Briggs & Stratton til at inspicere og rengøre luftkølesystemet som anbefalet i **Vedligeholdelsesoversigten**.

Opbevaring



Benzin og benzindampe er ekstremt brændbare og eksplosive.

Brand eller eksplosion kan forårsage alvorlige forbrændinger eller dødsfald.

Opbevaring af brændstof eller udstyr med brændstof i tanken

- Opbevares på afstand af fyr, ovne, vandvarmere eller andet udstyr, som kan have en tændflamme eller anden antændelseskilde, da de kan antænde benzindampe.

Brændstofsyste

Se figur: 12

Opbevar motoren plant (almindelig driftsposition). Fyld brændstoftanken (A, figur 12) med brændstof. Fyld ikke over brændstoftankens hals (B), så brændstoffet kan ekspandere.

Brændstof kan blive forældet, når det opbevares i over 30 dage. Gammelt brændstof kan forårsage dannelse af syre- og gummi aflejringer i brændstofsyste­met eller på væsentlige karburatordele. For at holde brændstof frisk anvendes **Briggs & Stratton Advanced Formula Fuel Treatment & Stabilizer**, som er tilgængelig hvor originale reservedele til Briggs & Stratton sælges.

Der er ingen grund til at tømme motoren for brændstof, hvis en brændstofstabilisator anvendes ifølge vejledningen. Lad motoren køre i to minutter for at stabilisatoren kan cirkulere gennem brændstofsyste­met inden opbevaring.

Hvis benzinen i motoren ikke er blevet behandlet med en brændstofstabilisator, skal den aftappes i en godkendt beholder. Lad motoren køre indtil der ikke er mere brændstof tilbage. Brugen af en brændstofstabilisator i opbevaringsbeholderen anbefales for at bevare det frisk.

Motorolie

Skift motorolien, mens motoren stadig er varm. Se afsnittet **Skift motorolie**.

Fejlfinding

Hvis du har brug for hjælp, skal du kontakte din lokale forhandler eller gå til **VanguardEngines.com** eller ringe til **1-800-999-9333** (i USA).

Specifikationer

Model: 611400, 613400, 61E400, 61G400	
Slagvolumen	60.60 ci (993 cc)
Boring	3.366 in (85,5 mm)
Slaglængde	3.406 in (86,5 mm)
Oliekapacitet	78 - 80 oz (2,3 - 2,4 L)
Tændrørgab	.030 in (.76 mm)
Tilspændingsmoment for tændrør	180 lb-in (20 Nm)
Rotorelektrodeafstand - Karburatormodeller	.005 - .008 in (.13 - .20 mm)
Ventilspillerum (indsugning)	.004 - .006 in (.10 - .15 mm)
Ventilspillerum (udstødning)	.007 - .009 in (.18 - .23 mm)

Motoreffekten falder med 3,5 % for hver 300 m over havets overflade og med 1 % for hver 5,6 °C over 25 °C. Motoren kan køre tilfredsstillende ved en hældning på op til 15°. Yderligere oplysninger om grænseværdierne for drift på hældninger findes i redskabets betjeningsvejledning.

Reservedele - Model: 611400, 613400, 61E400, 61G400	
Reserve­del	Delnummer
Papirluftfilter (figur 10)	692519
Forfilter (figur 10)	692520
Olie - SAE 30	100028
Oliefilter	842921
Advanced Formula Fuel Treatment & Stabilizer	100117, 100120
Brændstoffilter	845125
Tændrørsmodstand	491055
Long Life Platinum tændrør	5066
Tændrørsmøgle	19374
Gnisttester	19368

Vi anbefaler, at du kontakter en autoriseret Briggs & Stratton forhandler vedrørende al vedligeholdelse og service af motoren og motordele.

Effektangivelse: Bruttoeffekten for hver enkelt benzinmotormodel er afmærket i henhold til SAE-kode J1940 (Society of Automotive Engineers) - procedure til angivelse af effekt og moment for små motorer - og angivet i henhold til SAE J1995. Momentværdier afledes ved 2600 o./min. for motorer med "rpm" på mærkaten, og 3060 o./min for alle andre. Hestekræftværdier afledes ved 3600 o./min. Bruttoeffekt­kurverne kan ses på www.BRIGGSandSTRATTON.com. Nettoeffekt­værdier bliver målt med udstødnings- og luftfilter monteret, hvorimod bruttoeffekt­værdier bliver målt uden disse anordninger. Bruttomotoreffekten vil være højere end den faktiske nettomotoreffekt, som påvirkes bl.a. af lokale driftsforhold og variationer fra motor til motor. I betragtning af de mange forskellige produkter, motorerne anvendes i, yder benzinmotoren måske ikke den nominelle

bruttoeffekt, når den anvendes på et givent motorredskab. Denne forskel skyldes en lang række forskellige faktorer, som blandt andet kan omfatte forskelle i motor­komponenter (luftfilter, udstødning, opladning, køling, karburator, brændstofpumpe osv.), anvendelsesbegrænsninger, lokale driftsforhold (temperatur, luftfugtighed, højde over havet) og variationer fra motor til motor. Som følge af produktions- og kapacitetsbegrænsninger forbeholder Briggs & Stratton sig ret til at udskifte motoren i denne serie med en motor med højere nomineret effekt.

Garanti

Briggs & Stratton – Motorgaranti

Gældende fra januar 2017

Begrænset garanti

Briggs & Stratton garanterer, at man i løbet af garantiperioden angivet nedenfor vil reparere eller udskifte enhver del, der er defekt i materiale eller håndværk eller begge dele, uden beregning. Transportomkostninger i forbindelse med et produkt, som indleveres til reparation eller udskiftning under denne garanti, afholdes af køberen. Denne garanti er gyldig inden for tidsperioderne og underlagt nedenstående betingelser. Find den nærmeste autoriserede serviceforhandler på kortet over forhandlere på BRIGGSandSTRATTON.COM i forbindelse med service under garantien. Køberen skal kontakte den autoriserede serviceforhandler og derefter stille produktet til rådighed for den autoriserede serviceforhandler med henblik på inspektion og afprøvning.

Der ydes ikke nogen anden udtrykkelig garanti. Underforståede garantier, inklusive garantier for salgbarhed og egnethed til et bestemt formål, er begrænset til garantiperioden, der er angivet nedenfor, eller i den udstrækning loven tillader. Ansvar for hændelige skader eller følgeskader er udelukket, i det omfang lovgivningen tillader udelukkelse. Visse stater eller lande tillader ikke begrænsninger på, hvor lang tid en underforstået garanti varer, og visse stater eller lande tillader ikke udelukkelse eller begrænsning af tilfældig skade eller følgeskade, så ovenstående begrænsning og udelukkelse er måske ikke gældende for dig. Denne garanti giver dig specifikke juridiske rettigheder, og du kan endvidere have andre rettigheder, som kan variere fra land til land.

Almindelige garantibestemmelser 1, 2, 3

Mærke / produkt­navn	Privat brug	Erhvervs­mæssig brug
Vanguard™; kommerciel serie	36 måneder	36 måneder
Motorer med Dura-Bore™-støbejernsboring	24 måneder	12 måneder
Alle andre motorer	24 måneder	3 måneder

¹ Dette er vores vilkår for standardgaranti, men der kan lejlighedsvist være ekstra garantitækning, der ikke var fastslået på tidspunktet for offentliggørelsen. Hvis du ønsker en liste over gældende garantivilkår for din motor, så gå til BRIGGSandSTRATTON.com, eller kontakt din autoriserede Briggs & Stratton-serviceforhandler.

² Der er ikke garanti for motorer på udstyr, der bruges til priming i stedet for et værktøj eller til standbygeneratorer, der anvendes til kommercielle formål. Motorer, der anvendes til konkurrencemæssig motorsport eller på erhvervs- eller udlejningsbaner, er ikke omfattet af garantien.

³ Vanguard installeret på standbygeneratorer: 24 måneder ved privat brug. Der gives ikke garanti ved erhvervs­mæssig brug. Vanguard installeret på hjælpe­køretøjer: 24 måneder ved privat brug, 24 måneder ved erhvervs­mæssig brug. Kommerciel serie med fremstillingsdato før juli 2017, 24 måneder ved privat brug, 24 måneder ved erhvervs­mæssig brug.

⁴ I Australien - Vores produkter sælges med en garanti, der ikke kan bortfalde i henhold til den australske forbrugerlovgivning. Du er berettiget til en erstatning eller refundering i tilfælde af en væsentlig defekt eller til kompensation for ethvert forudseeligt tab eller skade. Du er derudover berettiget til at få dine varer repareret eller erstattet, hvis varerne ikke lever op til kvaliteten, og manglen ikke er i forbindelse med en væsentlig defekt. I forbindelse med service under garantien findes den nærmeste autoriserede serviceforhandler på kortet over forhandlere på BRIGGSandSTRATTON.COM, ved at ringe til 1300 274 447 eller ved at sende en e-mail eller skrive til salesenquiries@briggsandstratton.com.au, Briggs & Stratton Australia Pty Ltd, 1 Moorebank Avenue, Moorebank, NSW, Australia, 2170.

Garanti­perioden starter på købsdatoen for den første almindelige eller erhvervs­mæssige bruger. "Privat brug" betyder brug i personlig beboelseshusholdning af en detailkunde. "Erhvervs­mæssig brug" betyder al anden form for brug, inklusive erhvervs­mæssigt, indkomstdannende eller leje­baseret formål. Når en motor har været anvendt erhvervs­mæssigt, skal den herefter anses for at være en motor til erhvervsbrug i henhold til denne garanti.

Gem dit købsbevis. Hvis du ikke kan fremvise bevis for den oprindelige købsdato på det tidspunkt, hvor der bliver anmodet om garantiservice, vil produktets produktionsdato blive brugt som grundlag for garantien. Det er ikke nødvendigt at registrere sit produkt for at opnå garanti på Briggs & Stratton produkter.

Om garantien

Denne garanti dækker alene motor-relaterede materiale- og/eller fremstillingsfejl og ikke udskiftning eller tilbagebetaling for det redskab, hvorpå motoren måtte være monteret.

Rutinemæssig vedligeholdelse, optuning, justeringer eller normal slidage dækkes ikke under denne garanti. På samme måde gælder denne garanti heller ikke, hvis motoren er ændret eller modificeret, eller hvis motorens serienummer er ødelagt eller fjernet. Denne garanti dækker ikke motorskade eller driftsproblemer som følge af:

1. Brug af dele, der ikke er originale dele fra Briggs & Stratton
2. Betjening af motoren med utilstrækkelig, forurenede eller forkert type olie
3. Brug af forurenede eller gammel olie, benzin med mere end 10 % etanol eller brug af alternative brændstoffer som petroleumsvæske eller naturgas på motorer, der ikke oprindeligt er udviklet/fremstillet af Briggs & Stratton til at fungere med sådanne brændstoffer
4. Snavs, der er trængt ind i motoren på grund af utilstrækkelig vedligeholdelse af luftrensesystemet eller genmontering
5. Stød mod et objekt med skærebladet i en roterende plæneklipper, løse eller forkert installerede bladadaptere, rotor eller andet udstyr koblet på krumtapakslen eller for høj V-remspænding
6. Tilhørende dele eller tilbehør som koblinger, transmissioner, udstyrskontroller osv., som ikke leveres af Briggs & Stratton
7. Overophedning på grund af græsslåning, snavs og affald eller gnaverredere, der tilstopper kølefinerne eller svinghjulsområdet eller drift af motoren uden tilstrækkelig ventilation
8. Overdreven vibration på grund af for høj hastighed, løs motormontering, løse eller ubalancerede skæreblade eller rotor eller forkert kobling af udstyrskomponenter på krumtapakslen
9. Misbrug, mangel på rutinevedligeholdelse, forsendelse, håndtering eller udstyrets opbevaring på lager eller forkert motorinstallation.

Servicegarantien er kun tilgængelig via autoriserede Briggs & Stratton-serviceforhandlere. Find din nærmeste serviceforhandler på vores forhandlerkort på BRIGGSandSTRATTON.COM, eller ved at ringe til 1-800-233-3723 (i USA).

80004537 (rev. C)

Not for
Reproduction

Dieses Handbuch enthält Sicherheitshinweise, die Sie auf die Gefahren und Risiken beim Betrieb von Motoren hinweisen und Ihnen helfen sollen, diese Gefahren zu vermeiden. Es enthält außerdem Anweisungen zur richtigen Verwendung und Pflege des Motors. Da Briggs & Stratton nicht genau wissen kann, welches Gerät von diesem Motor angetrieben wird, ist es wichtig, dass Sie diese Anweisungen sowie die Anweisungen für das Gerät, das von diesem Motor angetrieben wird, gründlich durchlesen. **Bewahren Sie diese Original-Bedienungsanleitung zum späteren Nachschlagen auf.**

Hinweis: Die Abbildungen und Illustrationen in dieser Anleitung dienen nur zur Orientierung und können vom jeweiligen Modell abweichen. Wenden Sie sich bei Fragen an Ihren Händler.

Um in Zukunft Ersatzteile oder technische Unterstützung für Ihren Motor zu erhalten, sollten Sie sich hier die Modell-, Typen- und Codenummer Ihres Motors sowie das Kaufdatum notieren. Diese Nummern befinden sich an Ihrem Motor (siehe Abschnitt **Funktionen und Bedienungselemente**).

Kaufdatum	
Motormodell – Typ – Trim	
Motorseriennummer	

An einigen Motoren befindet sich ein 2D-Barcode. Wenn der Code mit einem 2D-Gerät gescannt wird, wird unsere Website aufgerufen, auf der Sie Informationen zu diesem Produkt bekommen können. Es gelten entsprechende Datenraten. In einigen Ländern ist möglicherweise keine Online-Unterstützung verfügbar.



Recycling-Informationen

		Alle Verpackungsmaterialien, Altöl und Batterien müssen entsprechend den geltenden gesetzlichen Bestimmungen recycelt werden.
--	--	---

Bedienersicherheit

Sicherheitswarnsymbol und Signalwörter

Das Sicherheitswarnsymbol kennzeichnet Sicherheitsinformationen zu Risiken, die zu Verletzungen führen können. Ein Signalwort (GEFAHR, WARNUNG oder VORSICHT) wird zusammen mit dem Warnsymbol verwendet, um den Grad der Gefahr und die Schwere der möglichen Verletzung anzugeben. Darüber hinaus kann ein Gefahrensymbol zur Kennzeichnung der Art der Gefahr benutzt werden.

GEFAHR weist auf eine Gefahr hin, die **zum Tod oder zu schweren Verletzungen führt**, wenn sie nicht vermieden wird.

WARNUNG weist auf eine Gefahr hin, die **zum Tod oder zu schweren Verletzungen führen könnte**, wenn sie nicht vermieden wird.

VORSICHT weist auf eine Gefahr hin, die **zu leichten bis mittelschweren Verletzungen führen könnte**, wenn sie nicht vermieden wird.

HINWEIS weist auf eine Situation hin, in der **das Produkt beschädigt werden könnte**.

Gefahrensymbole und ihre Bedeutung

Symbol	Bedeutung	Symbol	Bedeutung
	Sicherheitsinformationen zu Gefahren, die zu Verletzungen führen können.		Lesen Sie sich die Bedienungsanleitung gründlich durch, bevor Sie das Gerät einsetzen oder warten.

Symbol	Bedeutung	Symbol	Bedeutung
	Feuergefahr		Explosionsgefahr
	Stromschlaggefahr		Gefährdung durch giftige Dämpfe
	Gefährdung durch heiße Oberflächen		Lärmgefährdung – bei längerem Einsatz wird ein Gehörschutz empfohlen.
	Gefährdung durch hochgeschleuderte Gegenstände – Augenschutz tragen.		Explosionsgefahr
	Erfrierungsgefahr		Rückschlaggefahr
	Amputationsgefahr – bewegliche Teile		Gefährdung durch Chemikalien
	Gefährdung durch Wärme		Ätzend

Sicherheitsvorkehrungen

WARNUNG

Gemäß den Erkenntnissen des Staates Kalifornien enthalten bestimmte Bestandteile und Zubehörteile des Produkts Chemikalien, die Krebs oder Geburtsfehler verursachen oder die Fortpflanzungsfähigkeit beeinträchtigen können. Waschen Sie sich nach Umgang mit solchen Teilen die Hände.

WARNUNG

Gemäß den Erkenntnissen des Staates Kalifornien enthalten die Motorabgase dieses Produkts Chemikalien, die Krebs oder Geburtsfehler verursachen oder die Fortpflanzungsfähigkeit beeinträchtigen können.

WARNUNG

Motoren von Briggs & Stratton sind nicht konzipiert und nicht geeignet für den Antrieb von Fun-Karts, Go-Karts, Freizeitfahrzeugen für Kinder, Geländefahrzeugen für den Motorsport, Motorrädern, Luftkissenfahrzeugen, Luftfahrzeugen oder Fahrzeugen für den Rennsport, wenn dies nicht von Briggs & Stratton genehmigt ist. Informationen über Rennsportprodukte finden Sie auf www.briggsracing.com. Zum Einsatz mit Nutzfahrzeug-ATVs und Side-by-side-ATVs wenden Sie sich bitte an das Briggs & Stratton Engine Application Center, 1-866-927-3349. Unvorschriftsmäßige Motoranwendung kann zu schweren Verletzungen oder zum Tod führen.

WARNUNG

Kraftstoff und Kraftstoffdämpfe sind extrem entzündlich und es besteht Explosionsgefahr.

Brand oder Explosionen können zu schweren Verbrennungen oder Tod führen.

Bei der Betankung

- Stellen Sie den Motor ab und lassen Sie ihn mindestens 2 Minuten abkühlen, bevor Sie die Verschlusskappe entfernen.
- Füllen Sie den Tank im Freien oder an einem gut belüfteten Ort auf.

- Überfüllen Sie den Kraftstofftank nicht. Füllen Sie den Kraftstoff nicht über die Unterkante des Tankstutzens auf, damit sich das Benzin ausdehnen kann.
- Halten Sie den Kraftstoff von Funken, offenen Flammen, Zündflammen, Hitze oder anderen Zündquellen fern.
- Überprüfen Sie die Kraftstoffleitungen, den Tank, den Tankdeckel und die Anschlüsse regelmäßig auf Risse und Undichtheiten. Wechseln Sie die Teile gegebenenfalls aus.
- Sollte Kraftstoff auslaufen, warten Sie ab, bis dieser verdunstet ist und starten Sie erst dann den Motor.

Beim Starten des Motors

- Darauf achten, dass Zündkerze, Schalldämpfer, Tankdeckel und Luftfilter (falls vorhanden) an ihrem Platz und sicher befestigt sind.
- Den Motor nicht anlassen, wenn die Zündkerze entfernt wurde.
- Falls der Motor absäuft, stellen Sie den Choke (falls vorhanden) auf die Position OFFEN/BETRIEB, bewegen Sie den Hebel (falls vorhanden) in die Position SCHNELL und lassen Sie den Motor an.

Bei Betrieb des Geräts

- Motor bzw. Gerät nicht so kippen, dass Kraftstoff verschüttet werden könnte.
- Den Vergaser nicht abdrosseln, um den Motor abzustellen.
- Starten Sie niemals den Motor, wenn der Luftreiniger (falls vorhanden) oder der Luftfilter (falls vorhanden) entfernt wurde.

Beim Ölwechsel

- Wenn Sie das Öl über das oben befindliche Öleinfüllrohr ablassen, muss der Kraftstofftank leer sein, da ansonsten Kraftstoff auslaufen kann und somit Feuer- und Explosionsgefahr besteht.

Wenn das Gerät zur Wartung gekippt wird

- Bei Wartungsarbeiten, bei denen das Gerät gekippt werden muss, muss der Kraftstofftank (falls am Motor befestigt) leer sein, weil sonst Kraftstoff auslaufen und Feuer oder Explosionen verursachen kann.

Beim Transport des Geräts

- Beim Transport muss der Kraftstofftank LEER oder der Kraftstoffhahn GESCHLOSSEN sein.

Bei der Lagerung von Brennstoff oder Geräten mit Brennstoff im Tank

- Nicht in der Nähe von Öfen, Herdplatten, Wasserboilern oder anderen Geräten lagern, die Kontrollleuchten oder andere Zündquellen haben, weil sie Brennstoffdämpfe entzünden können.



WARNUNG

Beim Starten des Motors entstehen Funken.

Die Funken können entflammable Gase entzünden.

Es können Explosionen oder Feuer entstehen.

- Besteht die Gefahr der Ausströmung von Flüssig- oder Naturgas, darf der Motor nicht gestartet werden.
- Verwenden Sie keine Starthilfe-Sprays, da deren Dämpfe leicht entzündbar sind.



WARNUNG

GIFTGASGEFAHR. Motorabgase enthalten Kohlenmonoxid, ein giftiges Gas, das Sie innerhalb von Minuten töten kann. Es ist unsichtbar, geruch- und geschmacklos. Auch wenn Sie keine Abgase riechen, können Sie trotzdem Kohlenmonoxid ausgesetzt sein. Sobald Sie sich während der Benutzung dieses Geräts übel, schwindlig oder schwach fühlen, gehen Sie SOFORT an die frische Luft. Suchen Sie einen Arzt auf. Sie könnten eine Kohlenmonoxidvergiftung haben.

- Setzen Sie dieses Produkt NUR im Freien in angemessener Entfernung von Fenstern, Türen und Lüftungsöffnungen ein, damit sich Kohlenmonoxid nicht ansammeln und möglicherweise in Räume eindringen kann, in denen sich Menschen aufhalten.
- Installieren Sie batteriebetriebene Kohlenmonoxid-Warmmelder oder netzbetriebene Warmmelder mit Batterie-Notstromversorgung entsprechend den Herstelleranweisungen. Rauchmelder reagieren nicht auf Kohlenmonoxid.
- Lassen Sie dieses Gerät NICHT in Wohnungen, Garagen, Kellern, Zwischenräumen, Schuppen oder anderen teilweise geschlossenen Räumen laufen, selbst wenn Sie Ventilatoren oder offene Türen und Fenster zur Belüftung verwenden.

- Kohlenmonoxid kann sich schnell in diesen Räumen ansammeln und dort stundenlang bleiben, auch nachdem das Gerät ausgeschaltet wurde.
- Stellen Sie dieses Produkt IMMER in Windrichtung auf und richten Sie den Motorauspuff weg von Räumen, in denen sich Menschen aufhalten.



WARNUNG

Durch schnellen Rückzug des Starterseils werden Hand und Arm schneller zum Motor gezogen, als das Seil losgelassen werden kann.

Letzteres kann zu Knochenbrüchen, Prellungen oder Verstauchungen führen.

- Beim Starten des Motors ziehen Sie langsam am Kabel, bis der Widerstand gelöst wird, dann ziehen Sie einmal schnell, um ein Kickback zu vermeiden.
- Alle externen Geräte- und Motorlasten beseitigen, bevor der Motor gestartet wird.
- Direkt mit dem Motor verbundene Gerätekomponenten wie u. a. Schnittmesser, Impeller, Seilscheiben, Zahnräder usw. müssen sicher befestigt sein.



WARNUNG

Die rotierenden Teile können mit den Händen, Füßen, dem Haar, Kleidungsstücken oder ähnlichem in Kontakt kommen oder diese einklemmen.

Es kann zu Amputationen oder anderen schweren Verletzungen kommen.

- Beim Einsatz des Geräts müssen sich alle Schutzvorrichtungen an ihrem Platz befinden.
- Hände und Füße von rotierenden Teilen fern halten.
- Stecken Sie lange Haare hoch und legen Sie Schmuck ab.
- Keine lose sitzende Kleidung, herunterbaumelnde Schnüre oder ähnliche Teile tragen, die sich verfangen könnten.



WARNUNG

Laufende Motoren erzeugen Wärme. Teile des Motors, besonders der Schalldämpfer, können sehr heiß werden.

Bei Berührung kann es zu schweren Verbrennungen kommen.

Brennbare Rückstände wie z.B. Blätter, Gras, Büsche etc. können in Brand geraten.

- Lassen Sie den Schalldämpfer, die Zylinder und die Rippen des Kühlers abkühlen, bevor Sie sie anfassen.
- Entfernen Sie Ablagerungen vom Schalldämpfer und vom Zylinder.
- Es bedeutet einen Verstoß gegen das Kapitel 4442 der öffentlichen Vorschrift zur Verwendung von Rohstoffen von Kalifornien, den Motor in der Nähe von waldbedeckten, buschbedeckten oder grasbedeckten Ländereien zu verwenden, es sei denn, das Auspuffsystem ist effektiv gewartet und mit einem Funkenfänger ausgestattet, wie in Abschnitt 4442 beschrieben. Andere Staaten oder Bundesgebiete können ähnliche Gesetze haben. Einen passenden Funkenfänger für die an diesem Motor installierte Auspuffanlage finden Sie beim Gerätehersteller oder Händler.



WARNUNG

Versehentliche Funkenbildung kann Feuer oder Stromschläge verursachen.

Ein ungewollte Inbetriebsetzung kann zum Einziehen, Abtrennen von Gliedmaßen oder zu Schnittverletzungen führen.

Brandgefahr

Vor Einstellungs- oder Reparaturarbeiten:

- Das Zündkabel abziehen und von der Zündkerze fern halten.
- Die Batterie an der negativen Klemme trennen (nur Motoren mit Elektrostart).
- Die richtigen Werkzeuge verwenden.
- Keine Reglerfeder, Gestänge oder andere Teilen manipulieren, um die Drehzahl zu erhöhen.
- Ersatzteile müssen den Originalteilen entsprechen und in derselben Position angebracht werden. Andere Ersatzteile können möglicherweise nicht richtig funktionieren, die Maschine beschädigen und zu Verletzungen führen.
- Nicht mit einem Hammer oder anderen harten Gegenstand gegen das Schwungrad schlagen, weil es sonst später während des Betriebs auseinander platzen könnte.

Bei der Zündfunkenkontrolle:

- Einen zugelassenen Zündkerzenprüfer verwenden.
- Zündung nicht bei entfernter Zündkerze überprüfen.

Funktionen und Bedienungselemente

Bedienungselemente am Motor

Vergleichen Sie die Abbildung (Abb.: 1, 2) mit Ihrem Motor, um die Positionen der einzelnen Funktionen und Bedienungselemente kennen zu lernen.

- A. Motorkennzeichnung **Modell - Typ - Code**
- B. Zündkerze
- C. Luftfilter, flach
- D. Ölmesstab
- E. Öleinfüllöffnung
- F. Ölfilter
- G. Ölablassschraube
- H. Öldruckgeber
- I. Lufteinlassgitter
- J. E-Starter
- K. Anlasser-Magnetschalter
- L. Regler/Gleichrichter
- M. Ölkühler (falls vorhanden)
- N. Schalldämpfer (falls vorhanden)
- O. Kraftstoffpumpe
- P. Starterschalter ¹
- Q. Chokehebel – Vergasermodelle ¹
- R. Kraftstofffilter (falls vorhanden)

¹ Einige Motoren und Geräte sind mit Fernbedienung ausgestattet. Zu Position und Betätigung der Fernbedienung siehe die Geräteanleitung.

Symbole zur Motorregelung und ihre Bedeutungen

Symbol	Bedeutung	Symbol	Bedeutung
	Motordrehzahl – SCHNELL		Motordrehzahl – LANGSAM
	Motordrehzahl – STOPP		EIN – AUS
	Motorstart – Choke GESCHLOSSEN		Motorstart – Choke OFFEN
	Tankdeckel Kraftstoffhahn – OFFEN		Kraftstoffhahn – GESCHLOSSEN
	Kraftstoffpegel – Maximum Nicht überfüllen		

Betrieb

Empfehlungen zum Öl

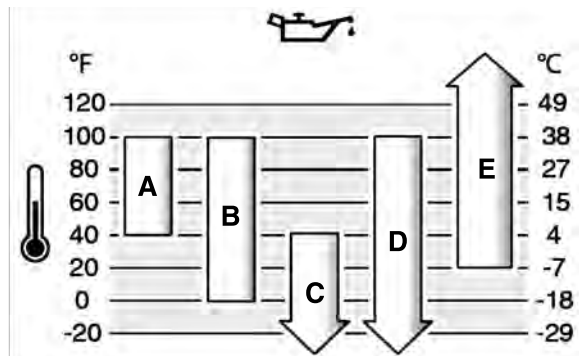
Ölmenge: Siehe den *Technische Daten* Abschnitt.

HINWEIS

Dieser Motor wird von Briggs & Stratton ohne Öl geliefert. Gerätehersteller oder Händler können Öl dem Motor hinzugefügt haben. Vor Start des Motors muss entsprechend den Anweisungen in dieser Anleitung der Ölstand überprüft und nachgefüllt werden. Wenn der Motor ohne Öl gestartet wird, wird er so beschädigt, dass er nicht mehr repariert werden kann. Dieser Schaden wird nicht von der Garantie abgedeckt.

Um eine bestmögliche Leistung zu garantieren, empfehlen wir die Verwendung von durch die Briggs & Stratton-Garantie abgedeckten Ölen. Andere hochwertige Öle sind zulässig, wenn sie für die Klassen SF, SG, SH, SJ oder höher klassifiziert sind. Verwenden Sie keine speziellen Additive.

Die Lufttemperaturen bestimmen die richtige Ölviskosität für den Motor. Verwenden Sie die Tabelle, um die beste Viskosität für den erwarteten Außentemperaturbereich auszuwählen. Motoren auf den meisten Outdoor-Geräten funktionieren gut mit 5W-30 Synthetiköl. Bei Geräten, die unter heißen Temperaturen betrieben werden, bietet Vanguard™ 15W-50 Synthetisches Öl den besten Schutz.



A	SAE 30 – SAE 30 Unter 4 °C führt die Verwendung von SAE 30 zu einem schweren Start.
B	10W-30 – Bei über 27 °C kann die Verwendung von 10W-30 zu einem höheren Ölverbrauch führen. Überprüfen Sie den Ölstand öfter.
C	5W-30
D	Synthetisch 5W-30
E	Vanguard™ Synthetic 15W-50

Ölstandskontrolle

Siehe Abbildung: 3

Vor dem Nachfüllen von Öl bzw. der Ölstandskontrolle

- Darauf achten, dass der Motor waagrecht steht.
- Schmutz vom Öleinfüllbereich entfernen.

1. Den Ölmesstab (A, Abb. 3) herausnehmen und mit einem sauberen Tuch abwischen.
2. Den Ölmesstab (A, Abb. 3) ganz einsetzen.
3. Den Ölmesstab herausziehen und den Ölstand kontrollieren. Bei korrektem Ölstand steht das Öl oben an der Voll-Marke (B, Abb. 3) am Ölmesstab.
4. Bei zu niedrigem Ölstand langsam Öl in die Motoröleinfüllöffnung (C, Abb. 3) gießen. **Nicht überfüllen.** Nach dem Einfüllen des Öls eine Minute warten und dann den Ölstand erneut kontrollieren.
5. Den Ölmesstab (A, Abb. 3) ganz einsetzen.

Ölmangel-Schutzsystem (falls vorhanden)

Einige Motoren sind mit einem Ölmangelsensor ausgestattet. Bei niedrigem Ölstand aktiviert der Sensor entweder eine Warnlampe oder stoppt den Motor. Den Motor abstellen und die folgenden Schritte durchgehen, bevor er wieder gestartet wird.

- Darauf achten, dass der Motor waagrecht steht.
- Den Ölstand kontrollieren. Siehe Abschnitt **Ölstandskontrolle**.
- Bei zu niedrigem Ölstand die erforderliche Menge Öl nachfüllen. Den Motor starten und kontrollieren, dass die Warnlampe (falls vorhanden) nicht aktiviert wird.

- Wenn der Ölstand nicht zu niedrig ist, den Motor nicht starten. Wenden Sie sich an einen Briggs & Stratton-Vertragshändler, um das Problem beheben zu lassen.

Empfehlungen zum Kraftstoff

Kraftstoff muss diese Anforderungen erfüllen:

- Sauberes, frisches, unverbleites Benzin.
- Mindestens 87 Oktan/87 AKI (91 RON). Bei Verwendung in großen Höhen siehe die Informationen weiter unten.
- Benzin mit einem Ethanol-Anteil bis zu 10% (Gasohol) ist akzeptabel.

HINWEIS Keine ungenehmigten Benzinsorten wie E15 und E85 verwenden. Kein Öl mit dem Benzin mischen. Den Motor nicht so modifizieren, dass er mit alternativen Kraftstoffen laufen kann. Bei Verwendung nicht zugelassener Kraftstoffe entstehen Schäden an Motorkomponenten, die von der Garantie nicht abgedeckt werden.

Zum Schutz der Kraftstoffanlage vor Kraftstoffrückständen sollte dem Kraftstoff ein Kraftstoffstabilisator beigemischt werden. Siehe **Lagerung**. Nicht jeder Kraftstoff ist gleich. Wenn es zu Start- oder Leistungsproblemen kommt, sollte der Kraftstoff anderswo gekauft oder die Marke gewechselt werden. Der Motor ist für den Betrieb mit Benzin zugelassen. Der Motor hat das Abgassystem EM (Engine Modifications).

Einsatz in großen Höhen

In Höhen über 1500 m ist Benzin mit mindestens 85 Oktan/85 AKI (89 RON) akzeptabel.

Bei Vergasermotoren ist eine Einstellung für große Höhen erforderlich, damit die Leistung beibehalten wird. Wenn der Motor ohne diese Einstellung läuft, kommt es zu Leistungsabfall, erhöhtem Kraftstoffverbrauch und erhöhten Emissionen. Informationen zur Einstellung für große Höhen bekommen Sie bei einem Briggs & Stratton-Vertragshändler. Es wird nicht empfohlen, den Motor mit der Einstellung für große Höhen in Höhen unter 760 m einzusetzen.

Bei Motoren mit elektronischer Kraftstoffeinspritzung (EFI) ist keine Einstellung für große Höhen erforderlich.

Einfüllen von Kraftstoff

Siehe Abbildung: 4



WARNUNG

Kraftstoff und Kraftstoffdämpfe sind extrem leicht entflammbar und explosiv.

Feuer oder Explosionen können zu schweren Verbrennungen oder Tod führen.

Beim Nachfüllen von Kraftstoff

- Den Motor ausschalten und mindestens 2 Minuten lang abkühlen lassen, bevor der Tankdeckel abgenommen wird.
 - Den Tank im Freien oder an einem gut belüfteten Ort auffüllen.
 - Den Tank nicht überfüllen. Um dem Kraftstoff Platz zum Ausdehnen zu lassen, nicht über die Unterkante des Kraftstofftankstutzens hinaus füllen.
 - Den Kraftstoff von Funken, offenen Flammen, Zündflammen, Hitze oder anderen Zündquellen fern halten.
 - Kraftstoffleitungen, Tank, Tankdeckel und Anschlüsse regelmäßig auf Risse und Undichtigkeiten überprüfen. Schadhafte Teile austauschen.
 - Wenn Kraftstoff verschüttet wurde, warten, bis sich die Dämpfe verflüchtigt haben, bevor der Motor gestartet wird.
1. Den Bereich um den Tankdeckel von Schmutz und Fremdkörpern reinigen. Den Tankdeckel abnehmen.
 2. Den Kraftstofftank (A, Abb. 4) mit Kraftstoff füllen. Um dem Kraftstoff Platz zum Ausdehnen zu lassen, nicht über die Unterkante des Kraftstofftankstutzens (B) hinaus füllen.
 3. Den Tankdeckel wieder anbringen.

Start und Stopp des Motors

Siehe Abbildung: 5

Starten des Motors



WARNUNG

Kraftstoff und Kraftstoffdämpfe sind extrem entzündlich und es besteht Explosionsgefahr.

Brand oder Explosionen können zu schweren Verbrennungen oder Tod führen.

Beim Starten des Motors

- Darauf achten, dass Zündkerze, Schalldämpfer, Tankdeckel und Luftfilter (falls vorhanden) an ihrem Platz und sicher befestigt sind.
- Den Motor nicht anlassen, wenn die Zündkerze entfernt wurde.
- Falls der Motor absäuft, stellen Sie den Choke (falls vorhanden) auf die Position OFFEN/BETRIEB, bewegen Sie den Hebel (falls vorhanden) in die Position SCHNELL und lassen Sie den Motor an.



WARNUNG

GIFTGASGEFAHR. Motorabgase enthalten Kohlenmonoxid, ein giftiges Gas, das Sie innerhalb von Minuten töten kann. Es ist unsichtbar, geruch- und geschmacklos. Auch wenn Sie keine Abgase riechen, können Sie trotzdem Kohlenmonoxid ausgesetzt sein. Sobald Sie sich während der Benutzung dieses Geräts übel, schwindlig oder schwach fühlen, schalten Sie es aus und gehen Sie SOFORT an die frische Luft. Suchen Sie einen Arzt auf. Sie könnten eine Kohlenmonoxidvergiftung haben.

- Setzen Sie dieses Produkt NUR im Freien in angemessener Entfernung von Fenstern, Türen und Lüftungsöffnungen ein, damit sich Kohlenmonoxid nicht ansammeln und möglicherweise in Räume eindringen kann, in denen sich Menschen aufhalten.
- Installieren Sie batteriebetriebene Kohlenmonoxid-Warmmelder oder netzbetriebene Warmmelder mit Batterie-Notstromversorgung entsprechend den Herstelleranweisungen. Rauchmelder reagieren nicht auf Kohlenmonoxid.
- Lassen Sie dieses Gerät NICHT in Wohnungen, Garagen, Kellern, Zwischenräumen, Schuppen oder anderen teilweise geschlossenen Räumen laufen, selbst wenn Sie Ventilatoren oder offene Türen zur Belüftung verwenden. Kohlenmonoxid kann sich schnell in diesen Räumen ansammeln und dort stundenlang bleiben, auch nachdem das Gerät ausgeschaltet wurde.
- Stellen Sie dieses Produkt IMMER in Windrichtung auf und richten Sie den Motorauspuff weg von Räumen, in denen sich Menschen aufhalten.

HINWEIS Dieser Motor wird von Briggs & Stratton ohne Öl geliefert. Vor dem Start des Motors muss entsprechend den Anweisungen in dieser Anleitung Öl nachgefüllt werden. Wenn der Motor ohne Öl gestartet wird, wird er so stark beschädigt, dass er nicht mehr repariert werden kann. Dieser Schaden wird nicht von der Garantie abgedeckt.

Bestimmung des Startsystems

Vor dem Starten des Motors müssen Sie feststellen, welche Art von Startsystem Ihr Motor hat. Das Startsystem kann eine der folgenden Ausführungen sein.

- **Elektronische Kraftstoffeinspritzung (EFI)** : Dies bietet elektronische Kraftstoffeinspritzung. Es hat keinen Choke und keine Ansaugpumpe.
- **Chokesystem**: Bietet einen Choke für das Starten bei kühlen Temperaturen. Einige Modelle haben einen separaten Chokehebel, während andere einen kombinierten Choke/Gashebel aufweisen. Dieser Typ hat keinen Primerbalg.

Hinweis: Das Gerät ist eventuell mit einer Fernbedienung ausgestattet. Zu Position und Betätigung der Fernbedienung siehe die Geräteanleitung.

Elektronisches Kraftstoffeinspritzsystem (EFI)

1. Den Motorölstand kontrollieren. Siehe Abschnitt **Ölstandskontrolle**.
2. Darauf achten, dass die Bedienungselemente für den Geräteantrieb, falls vorhanden, ausgerüstet sind.
3. Den Kraftstoffhahn (A, Abb. 5), falls vorhanden, in die Position OFFEN stellen.
4. Den Gashebel in die Position LANGSAM stellen.
5. Den Stoppschalter (D, Abb. 5), falls vorhanden, in die Position AN stellen.
6. Den E-Start-Schalter (E, Abb. 5) in die Position AN oder START stellen.

HINWEIS Um die Lebensdauer des Anlassers zu verlängern, den Anlasser jeweils nur kurz betätigen (maximal fünf Sekunden). Zwischen den Betätigungen jeweils eine Minute warten.

Hinweis: Wenn der Motor nach mehreren Versuchen nicht anspringt, wenden Sie sich bitte an den nächsten Händler, gehen Sie zu **VanguardEngines.com** oder rufen Sie die Nummer **1-800-999-9333** an (in den USA).

Chokesystem

1. Den Motorölstand kontrollieren. Siehe Abschnitt **Ölstandskontrolle**.
2. Darauf achten, dass die Bedienungselemente für den Geräteantrieb, falls vorhanden, ausgerüstet sind.
3. Den Kraftstoffhahn (A, Abb. 5), falls vorhanden, in die Position OFFEN stellen.

- Den Gashebel in die Position SCHNELL stellen.
- Den Chokehebel (C, Abb. 5), falls vorhanden, in die Position GESCHLOSSEN herausziehen.

Hinweis: Wenn die Kraftstoffanlage leer ist (erstes Anlassen nachdem der Kraftstoff ausgegangen ist), benötigt das Anlassen des Motors bei aktiviertem Choke länger als gewöhnlich. Die Kraftstoffpumpe braucht einige Zeit, um die Kraftstoffanlage wieder zu füllen.

- Den Stoppschalter (D, Abb. 5), falls vorhanden, in die Position AN stellen.
- Den Schlüsselschalter (E, Abb. 5) in die Position AN oder START drehen.
- Falls der Motor startet, aber gleich wieder ausgeht, den Chokehebel (C, Abb. 5) in die Position OFFEN hineindrücken und den Motor erneut starten.

HINWEIS Um die Lebensdauer des Anlassers zu verlängern, den Anlasser jeweils nur kurz betätigen (maximal fünf Sekunden). Zwischen den Betätigungen jeweils eine Minute warten.

- Wenn sich der Motor aufwärmt, den Chokehebel (C, Abb. 5) in die Position OFFEN hineindrücken.

Hinweis: Wenn der Motor nach mehreren Versuchen nicht anspringt, wenden Sie sich bitte an den nächsten Händler, gehen Sie zu **VanguardEngines.com** oder rufen Sie die Nummer **1-800-999-9333** an (in den USA).

Stoppen des Motors



WARNUNG

Kraftstoff und Kraftstoffdämpfe sind extrem leicht entflammbar und explosiv.

Feuer oder Explosionen können zu schweren Verbrennungen oder Tod führen.

- Zum Stoppen des Motors nicht den Choke (soweit vorhanden) benutzen.
- Stoppschalter, falls vorhanden:** Den Stoppschalter (D, Abb. 5) in die Position AUS stellen.
Schlüsselschalter, falls vorhanden: Mit dem Gashebel, falls vorhanden, in der Position LANGSAM den Schlüsselschalter (E, Abb. 5) in die Position AUS stellen. Den Schlüssel abziehen und an einem sicheren Ort für Kinder unzugänglich aufbewahren.
 - Sobald der Motor aus ist, den Kraftstoffhahn (A, Abb. 5), falls vorhanden, in die Position GESCHLOSSEN stellen.

Wartung

HINWEIS Wenn der Motor während der Wartung gekippt wird, muss der Kraftstofftank leer sein und die Seite mit der Zündkerze muss nach oben zeigen. Wenn der Kraftstofftank nicht leer ist und wenn der Motor in eine andere Richtung gekippt wird, kann er eventuell später schwer zu starten sein, weil Öl oder Kraftstoff den Luftfilter und/oder die Zündkerze verschmutzt haben.



WARNUNG

Bei Wartungsarbeiten, bei denen das Gerät gekippt werden muss, muss der Kraftstofftank leer sein, weil sonst Kraftstoff auslaufen und Feuer oder Explosionen verursachen kann.

Wir empfehlen, dass Sie sich für alle Wartungsarbeiten am Motor und an Motorteilen an einen Briggs & Stratton-Vertragshändler wenden.

HINWEIS Zum ordnungsgemäßen Betrieb müssen alle zum Bau dieses Motors verwendeten Komponenten an ihrem Platz bleiben.



WARNUNG

Funken können Feuer oder Stromschläge verursachen.

Ungewollter Start kann schwere Verletzungen verursachen.

Feuergefahr

Vor Einstellungen oder Reparaturen:

- Das Zündkabel abziehen und von der Zündkerze fern halten.
- Die Batterie von der negativen Klemme lösen (nur Motoren mit Elektrostart).
- Die richtigen Werkzeuge verwenden.

- Nicht an Reglerfeder, Gestängen oder anderen Teilen herumbasteln, um die Drehzahl zu erhöhen.
- Ersatzteile müssen den Originalteilen entsprechen und in derselben Position angebracht werden. Andere Ersatzteile können möglicherweise nicht richtig funktionieren, das Gerät beschädigen und zu Verletzungen führen.
- Nicht mit einem Hammer oder anderen harten Gegenstand gegen das Schwungrad schlagen, weil es sonst später während des Betriebs auseinander platzen könnte.

Bei der Zündfunkenkontrolle:

- Einen zugelassenen Zündkerzenprüfer verwenden.
- Die Zündung nicht bei entfernter Zündkerze überprüfen.

Erklärung zur Emissionskontrolle

Wartung, Austausch oder Reparatur von Teilen des Abgassystems können von jeder Motorreparaturwerkstatt oder Person durchgeführt werden. Um allerdings gebührenfreie Arbeiten am Abgassystem zu erhalten, müssen derartige Arbeiten von einem Vertragshändler durchgeführt werden. Siehe die Erklärungen zur Emissionskontrolle.

Wartungsplan

Alle 8 Stunden oder täglich
<ul style="list-style-type: none"> Motorölstand prüfen Bereich um Schalldämpfer und Bedienungselemente reinigen
Alle 100 Stunden oder jährlich
<ul style="list-style-type: none"> Zündkerzen austauschen Motoröl wechseln Ölfilter (falls vorhanden) austauschen Luftfilter warten ¹ Vorfilter (falls vorhanden) reinigen ¹ Auspuffanlage warten
Alle 250 Stunden
<ul style="list-style-type: none"> Ventilspiel kontrollieren. Bei Bedarf einstellen.
Alle 400 Stunden oder jährlich
<ul style="list-style-type: none"> Luftfilter austauschen Kraftstofffilter austauschen Kühlsystem warten ¹ Ölkühlrippen reinigen ¹

¹ Bei hohem Staubaufkommen oder Fremdkörpern in der Luft häufiger reinigen.

Vergaser und Motordrehzahl

Es dürfen keine Einstellungen am Vergaser oder der Motordrehzahl vorgenommen werden. Der Vergaser wurde ab Werk für effizienten Betrieb unter den meisten Einsatzbedingungen eingestellt. Nicht an Reglerfeder, Gestänge oder anderen Teilen manipulieren, um die Drehzahl zu erhöhen. Falls Einstellungen nötig sind, wenden Sie sich bitte an einen Briggs & Stratton-Vertragshändler.

HINWEIS Der Gerätehersteller gibt die Höchstdrehzahl für den am Gerät installierten Motor an. Diese Drehzahl **darf nicht überschritten** werden. Falls Sie nicht sicher sind, wie hoch die maximale Drehzahl für das Gerät ist oder welche Drehzahl ab Werk eingestellt wurde, wenden Sie sich bitte an einen Briggs & Stratton-Vertragshändler. Für sicheren und einwandfreien Betrieb des Geräts darf die Motordrehzahl nur von einem qualifizierten Wartungstechniker eingestellt werden.

Wartung der Zündkerze

Siehe Abbildung: 6

Den Elektrodenabstand (A, Abb. 6) mit einer Drahtlehre (B) kontrollieren. Bei Bedarf den Elektrodenabstand nachstellen. Die Zündkerze einsetzen und mit dem empfohlenen Anzugswert festziehen. Zu Einstellungen des Elektrodenabstands und Anzugswerten siehe den Abschnitt **Technische Daten**.

Hinweis: In einigen Ländern sind Widerstandszündkerzen zur Unterdrückung von Zündsignalen vorgeschrieben. Wenn dieser Motor ursprünglich mit einer Widerstandszündkerze ausgestattet war, muss zum Austausch derselbe Zündkerzentyp verwendet werden.

Wartung der Auspuffanlage



Laufende Motoren erzeugen Wärme. Teile des Motors, besonders der Schalldämpfer, können sehr heiß werden.

Bei Berührung kann es zu schweren Verbrennungen kommen.

Brennbare Fremdkörper wie Laub, Gras usw. können sich entzünden.

- Schalldämpfer, Zylinder und Kühlrippen abkühlen lassen, bevor sie berührt werden.
- Fremdkörperansammlungen vom Schalldämpferbereich und Zylinderbereich entfernen.
- Der Einsatz des Motors auf Wald-, Busch- oder Grasland verstößt gegen das kalifornische Gesetz (public resource code, section 4442), wenn die Auspuffanlage nicht mit einem vorgeschriebenen betriebsfähigen Funkenfänger ausgestattet ist. In anderen Bundesstaaten können ähnliche Gesetze gelten. Einen passenden Funkenfänger für die an diesem Motor installierte Auspuffanlage finden Sie beim Gerätehersteller oder Händler.

Fremdkörperansammlungen vom Schalldämpfer- und Zylinderbereich entfernen. Den Schalldämpfer auf Risse, Korrosion oder andere Beschädigungen prüfen. Den Funkenfänger, falls vorhanden, entfernen und auf Beschädigungen oder Kohlenstoffablagerungen prüfen. Falls Schäden gefunden werden, müssen vor der Inbetriebnahme entsprechende Ersatzteile installiert werden.



Ersatzteile müssen den Originalteilen entsprechen und in derselben Position angebracht werden. Andere Ersatzteile können möglicherweise nicht richtig funktionieren, das Gerät beschädigen und zu Verletzungen führen.

Motoröl wechseln

Siehe Abbildung: 7, 8, 9

Altöl ist Sondermüll, der ordnungsgemäß entsorgt werden muss. Es gehört nicht in den Hausmüll. Informationen zur Entsorgung von Altöl erhalten Sie bei Behörden, Werkstätten oder Fachhändlern.

Ölablass

1. Bei abgestelltem aber noch warmem Motor das/die Zündkerzenkabel (D, Abb. 7) abziehen und von der/den Zündkerze(n) (E) fern halten.
2. Den Ölmesstab (A, Abb. 8) herausziehen.
3. Die Ölablassschraube (F, Abb. 9) entfernen. Das Öl in einen zugelassenen Behälter ablassen.
4. Nachdem das Öl abgelassen worden ist, die Ölablassschraube (F, Abb. 9) einsetzen und anziehen.

Wechsel des Ölfilters, falls vorhanden

Einige Modelle sind mit einem Ölfilter ausgestattet. Zu Austauschintervallen siehe den **Wartungsplan**.

1. Das Öl aus dem Motor ablassen. Siehe Abschnitt **Ölablass**.
2. Den Ölfilter (G, Abb. 9) herausnehmen und ordnungsgemäß entsorgen.
3. Bevor der neue Ölfilter angebracht wird, die Ölfilterdichtung leicht mit frischem sauberem Öl schmieren.
4. Den Ölfilter mit der Hand so einsetzen, dass die Dichtung den Ölfilteradapter berührt. Dann den Ölfilter um 1/2 bis 3/4 Umdrehung festziehen.
5. Öl nachfüllen. Siehe Abschnitt **Nachfüllen von Öl**.
6. Den Motor starten und laufen lassen. Während der Motor warmläuft, überprüfen, ob Ölleckagen vorhanden sind.
7. Den Motor abstellen und den Ölstand kontrollieren. Bei korrektem Ölstand steht das Öl oben an der Voll-Marke (B, Abb. 8) am Ölmesstab.

Nachfüllen von Öl

- Darauf achten, dass der Motor waagrecht steht.
 - Schmutz vom Öleinfüllbereich entfernen.
 - Zum Ölfassungsvermögen siehe den Abschnitt **Technische Daten**.
1. Den Ölmesstab (A, Abb. 8) herausnehmen und mit einem sauberen Tuch abwischen.

2. Langsam Öl in die Motoröleinfüllöffnung (C, Abb. 8) gießen. **Nicht überfüllen**. Nach dem Einfüllen des Öls ca. eine Minute warten und dann den Ölstand überprüfen.
3. Den Ölmesstab (A, Abb. 8) einsetzen und festziehen.
4. Den Ölmesstab herausziehen und den Ölstand kontrollieren. Bei korrektem Ölstand steht das Öl oben an der Voll-Marke (B, Abb. 8) am Ölmesstab.
5. Den Ölmesstab (A, Abb. 8) wieder einsetzen und festziehen.
6. Das/die Zündkerzenkabel (D, Abb. 7) an der/den Zündkerze(n) (E) anschließen.

Luftfilterwartung

Siehe Abbildung: 10



Kraftstoff und Kraftstoffdämpfe sind extrem leicht entflammbar und explosiv.

Feuer oder Explosionen können zu schweren Verbrennungen oder Tod führen.

- Niemals den Motor mit abgenommenem Luftfilter (falls vorhanden) oder Filtereinsatz (falls vorhanden) starten oder laufen lassen.

HINWEIS Zur Reinigung des Filters keine Druckluft und keine Lösungsmittel verwenden. Druckluft kann den Filter beschädigen und Lösungsmittel zersetzen ihn.

Siehe den **Wartungsplan** für Wartungsanforderungen.

Im Luftfiltersystem wird ein Papierfilter mit optionalem Vorfilter verwendet. Der Vorfilter kann gewaschen und wiederverwendet werden.

1. Das/die Befestigungselement(e) (A, Abb. 10) lösen.
2. Die Abdeckung (B, Abb. 10) abnehmen.
3. Befestigungselement(e) (C, Abb. 10) und Halterung (D) abnehmen.
4. Den Luftfilter (E, Abb. 10) entfernen.
5. Den Vorfilter (F, Abb. 10), falls vorhanden, vom Luftfilter (E) abnehmen.
6. Mit dem Luftfilter (E, Abb. 10) leicht gegen eine harte Oberfläche klopfen, um Ablagerungen zu entfernen. Wenn der Luftfilter sehr schmutzig ist, muss er ausgetauscht werden.
7. Den Vorfilter (F, Abb. 10), falls vorhanden, in flüssigem Reinigungsmittel und Wasser waschen. Den Vorfilter gründlich an der Luft trocknen lassen. **Den Vorfilter nicht ölen**.
8. Den trockenen Vorfilter (F, Abb. 10), falls vorhanden, am Luftfilter (E) anbringen.
9. Den Luftfilter (E, Abb. 10) anbringen und mit der Halterung (D) und dem/den Befestigungselement(en) (C) befestigen.
10. Die Abdeckung (B, Abb. 10) anbringen und mit dem/den Befestigungselement(en) (A) sichern. Darauf achten, dass das/die Befestigungselement(e) fest sind.

Kraftstoffanlage warten

Siehe Abbildung: 11



Brennstoff und seine Dämpfe sind hochentzündlich und explosiv.

Feuer oder Explosion kann schwere Verbrennungen oder Tod verursachen.

- Halten Sie den Kraftstoff von Funken, offenen Flammen, Zündflammen, Hitze oder anderen Zündquellen fern.
- Überprüfen Sie die Kraftstoffleitungen, den Tank, den Tankdeckel und die Anschlüsse regelmäßig auf Risse und Undichtheiten. Bei Bedarf austauschen.
- Vor Reinigung oder Austausch des Kraftstofffilters den Kraftstofftank leerlaufen lassen oder den Kraftstoffhahn schließen.
- Sollte Kraftstoff auslaufen, warten Sie ab, bis dieser verdunstet ist und starten Sie erst dann den Motor.
- Ersatzteile müssen den Originalteilen entsprechen und in derselben Position angebracht werden.

Kraftstofffilter, falls vorhanden

1. Vor Austausch des Kraftstofffilters (A, Abbildung 11), falls vorhanden, den Kraftstofftank leerlaufen lassen oder den Kraftstoffhahn schließen. Anderenfalls kann Kraftstoff auslaufen und Feuer oder Explosionen verursachen.
2. Verwenden Sie Zangen, um die Ansätze zusammen zu drücken (B, Abbildung 11) an den Klemmen (C) mit einer Zange zusammendrücken und dann die Klemmen

vom Kraftstofffilter (A) wegziehen. Die Kraftstoffleitungen (D) drehen und vom Kraftstofffilter abziehen.

- Die Kraftstoffleitungen (D, Abbildung 11) auf Risse und Leckagen untersuchen. Bei Bedarf austauschen.
- Den Kraftstofffilter (A, Abbildung 11) durch einen originalen Austauschfilter ersetzen.
- Die Kraftstoffleitungen (D, Abbildung 11) wie gezeigt mit Klemmen (C) sichern.

Wartung des Kühlsystems



Laufende Motoren erzeugen Wärme. Teile des Motors, besonders der Schalldämpfer, können sehr heiß werden.

Bei Berührung kann es zu schweren Verbrennungen kommen.

Brennbare Fremdkörper wie Laub, Gras usw. können sich entzünden.

- Schalldämpfer, Zylinder und Kühlrippen abkühlen lassen, bevor sie berührt werden.
- Fremdkörperansammlungen vom Schalldämpferbereich und Zylinderbereich entfernen.

HINWEIS Zur Reinigung des Motors kein Wasser verwenden. Wasser könnte die Kraftstoffanlage verunreinigen. Den Motor mit einer Bürste oder einem trockenen Lappen reinigen.

Dieser Motor ist luftgekühlt. Schmutz oder Fremdkörper können die Luftströmung einschränken und Überhitzung des Motors und in der Folge Leistungsverlust und verkürzte Lebensdauer des Motors verursachen.

- Fremdkörper mit einer Bürste oder einem trockenen Lappen vom Lufteinlassgitter beseitigen.
- Gestänge, Federn und Bedienungselemente sauber halten.
- Den Bereich um und hinter dem Schalldämpfer, falls vorhanden, von brennbaren Fremdkörpern frei halten.
- Darauf achten, dass die Ölkühlrippen frei von Schmutz und Fremdkörpern sind.

Nach einer gewissen Zeit können sich Fremdkörper in den Zylinderkühlrippen ansammeln und Motorüberhitzung verursachen. Um diese Fremdkörper zu beseitigen, muss der Motor teilweise auseinander gebaut werden. Lassen Sie das Luftkühlungssystem entsprechend den Empfehlungen im **Wartungsplan** von einem Briggs & Stratton-Vertragshändler kontrollieren und reinigen.

Lagerung



Brennstoff und seine Dämpfe sind hochentzündlich und explosiv.

Feuer oder Explosionen kann schwere Verbrennungen oder Tod verursachen.

Bei der Lagerung von Brennstoff oder Geräten mit Brennstoff im Tank

- Nicht in der Nähe von Öfen, Herdplatten, Wasserboilern oder anderen Geräten, die Kontrollleuchten oder andere Zündquellen haben, lagern, weil sie Brennstoffdämpfe entzünden können.

Kraftstoffanlage

Siehe Abbildung: 12

Den Motor in horizontaler Position abstellen (normale Betriebsposition). Den Kraftstofftank (A, Abbildung 12) mit Kraftstoff befüllen. Füllen Sie den Kraftstoff nicht über die Markierung am Tankstützen (B) auf, damit sich der Kraftstoff ausdehnen kann.

Kraftstoff kann bei der Lagerung von mehr als 30 Tagen altern. Abgestandener Kraftstoff führt dazu, dass sich Säure und Gummiablagerungen im Kraftstoffsystem oder auf wichtigen Teilen des Vergasers bilden. Damit der Kraftstoff haltbar bleibt, verwenden Sie **Briggs & Stratton Advanced-Formula-Kraftstoffstabilisator** Überall dort erhältlich, wo Originalteile von Briggs & Stratton verkauft werden.

Es ist nicht nötig, den Kraftstoff aus dem Motor abzulassen, wenn ein Kraftstoffstabilisator gemäß den Anweisungen hinzugefügt wird. Lassen Sie den Motor vor der Einlagerung zwei (2) Minuten lang laufen, damit der Stabilisator durch das Kraftstoffsystem zirkuliert.

Falls der Kraftstoff im Motor nicht mit einem Kraftstoffstabilisator behandelt wurde, muss er in einen zugelassenen Behälter abgelassen werden. Lassen Sie den Motor so lange laufen, bis er aufgrund von Kraftstoffmangel stoppt. Um die Frische aufrecht zu erhalten, wird die Verwendung eines Kraftstoffstabilisators im Lagerungsbehälter empfohlen.

Motoröl

Das Motoröl bei noch warmem Motor wechseln. Siehe Abschnitt **Motorölwechsel**.

Fehlersuche und -behebung

Wenden Sie sich für Unterstützung an den nächsten Händler, gehen Sie zu **VanguardEngines.com** oder rufen Sie die Nummer **1-800-999-9333** an (in den USA).

Technische Daten

Modell: 611400, 613400, 61E400, 61G400	
Hubraum	60.60 ci (993 cc)
Bohrung	3.366 in (85,5 mm)
Hub	3.406 in (86,5 mm)
Ölmenge	78 - 80 oz (2,3 - 2,4 L)
Elektrodenabstand	.030 in (.76 mm)
Zündkerzen-Anzugswert	180 lb-in (20 Nm)
Ankerluftspalt – Vergasermodele	.005 - .008 in (.13 - .20 mm)
Einlassventilspiel	.004 - .006 in (.10 - .15 mm)
Auslassventilspiel	.007 - .009 in (.18 - .23 mm)

Die Motorleistung nimmt alle 300 m über Meeresniveau um jeweils 3,5 % und alle 5,6 °C oberhalb von 25 °C um jeweils 1 % ab. Der Motor läuft zufriedenstellend bei einem Winkel bis zu 15 °. Angaben zum sicheren Betrieb an Hängen finden Sie in der Bedienungsanleitung des vom Motor angetriebenen Geräts.

Ersatzteile – Modell: 611400, 613400, 61E400, 61G400	
Ersatzteil	Teilenummer
Papier-Luftfilter (Abb. 10)	692519
Vorfilter (Abbildung 10)	692520
Öl – SAE 30	100028
Ölfilter	842921
Advanced-Formula-Kraftstoffstabilisator	100117, 100120
Kraftstofffilter	845125
Widerstandszündkerze	491055
Langlebige Platin-Zündkerze	5066
Zündkerzenschlüssel	19374
Funkenprüfer	19368

Wir empfehlen, dass Sie sich für alle Wartungsarbeiten am Motor und an Motorteilen an einen Briggs & Stratton-Vertragshändler wenden.

Nennleistungen: Die Bruttonennleistung für die einzelnen Modelle mit gasbetriebenen Motor wird in Übereinstimmung mit SAE-Code (Society of Automotive Engineers) J1940 (Small Engine Power & Torque Rating Procedure) angegeben und gemäß SAE J1995 bewertet. Die Drehmomentwerte wurden für die Motoren, die auf dem Etikett mit „rpm“ versehen sind, bei 2600 U/min. und für alle anderen bei 3060 U/min. ermittelt, die PS-Werte bei 3600 U/min. Die Leistungskennlinien können auf www.BRIGGSandSTRATTON.COM eingesehen werden. Die Nettolistungswerte wurden mit montiertem Auspuff und Luftfilter gemessen, während die Bruttoleistungswerte ohne diese Anbauten ermittelt wurden. Die tatsächliche Bruttomotorleistung ist höher als die Nutzleistung des Motors und wird u. a. durch die Betriebsbedingungen und Abweichungen von Motor zu Motor bestimmt. In Anbetracht der breiten Vielfalt an Produkten, in die Motoren eingebaut werden, kann es sein, dass der Motor nicht die bewertete Bruttoleistung entwickelt, wenn er in einem bestimmten motorgetriebenen Gerät verwendet wird. Dieser Unterschied lässt sich auf eine Vielzahl von Faktoren zurückführen, einschließlich u. a. Vielfalt der Motorkomponenten (Luftreiniger, Auspuff, Ladung, Kühlung, Vergaser, Kraftstoffpumpe usw.), Einschränkungen bezüglich der Anwendung, Betriebsbedingungen (Temperatur, Luftfeuchtigkeit, Einsatzhöhe) und Abweichungen von Motor zu Motor. Aufgrund von Herstellungs- und Kapazitätsengpässen kann Briggs & Stratton für diesen Motor ersatzweise einen Motor mit höherer Nennleistung liefern.

Garantie

Briggs & Stratton Motorgarantie

Gültig ab Januar 2017

Beschränkte Garantie

Briggs & Stratton garantiert, dass während des unten angegebenen Garantiezentrums jegliche Teile mit Werkstoff- oder Fertigungsmängeln oder beiden Mängeln kostenlos repariert oder ersetzt werden. Die beim Einschicken des Produkts zwecks Reparatur oder Austausch gemäß dieser Garantie entstehenden Transportkosten sind vom Käufer zu tragen. Diese Garantie ist für die Zeiträume und unter den unten genannten Bedingungen wirksam. Für Garantieleistungen finden Sie mit Hilfe unserer Händlersuchkarte unter www.BRIGGSandSTRATTON.com den nächstgelegenen Vertragshändler. Der Käufer muss den Vertragshändler kontaktieren und diesem das Produkt für die Inspektion und Tests zur Verfügung stellen.

Es besteht keine andere ausdrückliche Garantie. Andere Garantien, einschließlich die Garantie der handelsüblichen Qualität und Eignung für einen bestimmten Zweck, sind auf den unten angegebenen Garantiezentrums oder das gesetzlich zulässige Ausmaß beschränkt. Die Haftbarkeit für Folge- oder Begleitschäden ist soweit ausgeschlossen, wie gesetzlich zulässig. In einigen Staaten ist die Dauer der implizierten Garantie bzw. die Ausnahme oder Beschränkung von Folge- oder Begleitschäden nicht zulässig, daher könnte die oben genannte Beschränkung oder Ausnahme eventuell nicht auf Sie zutreffen. Diese Garantieleistung verleiht Ihnen bestimmte Rechte neben denen Sie noch andere Rechte haben können, die von Land zu Land abweichen.⁴

Standard-Garantiefristen 1, 2, 3

Marke / Produkttyp	Private Verwendung	Gewerblicher Einsatz
Vanguard™; Commercial Series	36 Monate	36 Monate
Motoren mit Dura-Bore™-Gusseisenlaufbuchse	24 Monate	12 Monate
Alle anderen Motoren	24 Monate	3 Monate

¹Dies sind unsere Standard-Garantiefristen, neben denen noch andere Garantieabdeckungen vorhanden sein können, die während des Veröffentlichungszeitpunkts noch nicht festgelegt worden waren. Eine Auflistung der aktuellen Garantiefristen für unsere Motoren finden Sie unter BRIGGSandSTRATTON.com oder bei Ihrem Briggs & Stratton-Fachhändler.

² Es besteht keine Garantie auf Motoren in Geräten, die zur Erzeugung von Energie eingesetzt werden, die die Energie aus dem öffentlichen Stromnetz ersetzen soll, oder auf Notstrom-Generatoren, die für kommerzielle Zwecke verwendet werden. Motoren, die in Rennwettbewerben oder auf gewerblichen oder Mietrennbahnen eingesetzt werden, haben keine Garantie.

³ An Notstrom-Generatoren installierte Vanguard-Motoren : 24 Monate bei privater Nutzung, keine Garantie bei gewerblicher Nutzung. An Nutzfahrzeugen installierte Vanguard-Motoren: 24 Monate bei privater Nutzung, 24 Monate bei gewerblicher Nutzung. Commercial Series mit Herstellungsdatum vor Juli 2017: 24 Monate bei privater Nutzung, 24 Monate bei gewerblicher Nutzung.

⁴ In Australien – Unsere Waren werden mit Garantien ausgeliefert, die nicht vom australischen Verbrauchergesetz ausgeschlossen werden können. Bei erheblichen Fehlern haben Sie Anspruch auf Ersatz oder Erstattung sowie auf Schadensersatz bei weiteren angemessenen vorhersehbaren Verlusten oder Schäden. Darüber hinaus haben Sie Anspruch auf Reparatur oder Ersatz der Waren, falls diese nicht die zu erwartende Qualität aufweisen und der Defekt keinen erheblichen Fehler darstellt. Für Garantieleistungen finden Sie mit Hilfe unserer Händlersuchkarte auf www.BRIGGSandSTRATTON.com den nächstgelegenen Vertragshändler. Sie können sich jedoch auch telefonisch unter 1300 274 447, per E-Mail unter salesenquires@briggsandstratton.com.au oder schriftlich an Briggs & Stratton Australia Pty Ltd, 1 Moorebank Avenue, Moorebank, NSW, Australien, 2170 nach dem nächstgelegenen Vertragshändler erkundigen.

Die Garantiezeit beginnt mit dem Datum des Kaufs durch den ersten Einzelhandelskunden oder gewerblichen Endverbraucher. „Endverbraucher-Nutzung“ bedeutet die private Verwendung im eigenen Haushalt durch einen Einzelhandelskunden. „Gewerbliche Verwendung“ bedeutet alle anderen Verwendungszwecke, einschließlich für gewerbliche Zwecke, Zwecke zum Erzielen eines Einkommens oder für Maschinenverleih. Sobald ein Motor einmal gewerblich eingesetzt worden ist, wird er für die Zwecke dieser Gewährleistung auch weiterhin als Motor für den gewerblichen Einsatz angesehen.

Bewahren Sie Ihren Kaufbeleg auf. Wenn Sie zu dem Zeitpunkt, an dem die Garantieleistung gefordert wird, keinen Beleg für das Datum des Erstkaufs vorlegen können, wird zur Bestimmung des Garantiezentrums das Herstellungsdatum des Produkts verwendet. Die Produktregistrierung ist für den Erhalt von Garantieleistungen auf Produkte von Briggs & Stratton nicht erforderlich.

Zur Garantie

Diese Garantie deckt nur Material- und/oder Verarbeitungsschäden am Motor ab und nicht den Austausch oder die Rückerstattung für das Gerät, an dem der Motor installiert ist. Routinemäßige Wartungsarbeiten, Einstellungen oder normale Abnutzung sind nicht Gegenstand dieser Garantie. Die Garantie erlischt, wenn der Motor modifiziert oder die Seriennummer des Motors beschädigt oder entfernt wurde. Die Garantie deckt keine Motorschäden oder Leistungsprobleme ab, die durch Folgendes hervorgerufen werden:

1. Die Verwendung von Teilen, die keine Briggs & Stratton-Originalteile sind;
2. Den Betrieb von Motoren mit zu wenig oder verschmutztem Öl oder einer falschen Schmierölsorte;
3. Die Verwendung von verschmutztem oder altem Kraftstoff, Benzin mit einem Ethanolanteil von über 10% oder alternativen Kraftstoffen wie Flüssiggas oder Erdgas

bei Motoren, die von Briggs & Stratton nicht für den Betrieb mit solchen Kraftstoffen konzipiert/hergestellt wurden;

4. Schmutz, der infolge einer unzureichenden Luftfilterwartung oder eines falschen Wiederausammenbaus in den Motor gelangt;
5. Auftreffen eines Kreiselmäher-Schneidmessers auf einen Gegenstand, lose oder unsachgemäß installierte Messeradapter, Impeller oder andere, an die Kurbelwelle angekuppelte Vorrichtungen oder zu hohe Keilriemenspannung;
6. Verbundene Teile oder Baugruppen wie Kupplungen, Getriebe, Gerätesteuerungen usw., die nicht von Briggs & Stratton stammen;
7. Überhitzung infolge der Blockierung der Kühlrippen oder des Schwungradbereichs durch geschnittenes Gras, Schmutz, Fremdkörper oder Nagetiernerster oder durch den Betrieb des Motors bei ungenügender Belüftung;
8. Zu starke Vibration durch Überdrehen, lose Motormontage, lose oder ungleichmäßige Schneidmesser oder Impeller oder ein unsachgemäßes Ankuppeln von Gerätekomponenten an die Kurbelwelle;
9. Missbrauch, Mängel bei der Routine-Wartung, dem Transport, der Handhabung oder der Lagerung des Geräts oder unsachgemäße Motorinstallation.

Garantieleistungen werden ausschließlich von Briggs & Stratton-Vertragshändlern erbracht. Den nächsten Vertragshändler finden Sie auf unserer Händlersuchkarte auf BRIGGSandSTRATTON.COM oder unter der Nummer 1-800-233-3723 (in den USA).

80004537 (Rev. C)

Το παρόν εγχειρίδιο περιέχει πληροφορίες σχετικά με την ασφάλεια, ούτως ώστε να γνωρίζετε τους κινδύνους που σχετίζονται με τους κινητήρες και πώς μπορείτε να τους αποφύγετε. Περιέχει επίσης οδηγίες για τη σωστή χρήση και φροντίδα του κινητήρα. Η Briggs & Stratton Corporation δεν γνωρίζει απαραίτητα σε ποιο είδος εξοπλισμού πρόκειται να χρησιμοποιηθεί ο παρών κινητήρας και, για τον λόγο αυτό, είναι σημαντικό να διαβάσετε προσεκτικά και να κατανοήσετε τις οδηγίες λειτουργίας του εξοπλισμού. **Φυλάξτε αυτές τις οδηγίες για μελλοντική χρήση.**

Σημείωση: Τα μεγέθη και οι απεικονίσεις στο παρόν εγχειρίδιο παρέχονται μόνο για αναφορά και μπορεί να διαφέρουν από το δικό σας μοντέλο. Επικοινωνήστε με τον τοπικό σας αντιπρόσωπο εάν έχετε ερωτήσεις.

Για ανταλλακτικά ή τεχνική υποστήριξη, σημειώστε παρακάτω το μοντέλο, τον τύπο και τους κωδικούς του κινητήρα καθώς και την ημερομηνία αγοράς. Οι αριθμοί αυτοί βρίσκονται επάνω στον κινητήρα (ανατρέξτε στην ενότητα **Χαρακτηριστικά και Χειριστήρια**).

Ημερομηνία αγοράς	
Μοντέλο κινητήρα - Τύπος - Κωδικός	
Αριθμός σειράς κινητήρα	

Ανατρέξτε στον 2 διαστάσεων γραμμωτό κώδικα που υπάρχει σε ορισμένους κινητήρες. Όταν τον ζαρώσετε με συσκευή με ικανότητα ανάγνωσης 2 διαστάσεων, ο κωδικός θα σας μεταφέρει στον ιστότοπο όπου μπορείτε να αποκτήσετε πρόσβαση σε πληροφορίες υποστήριξης για αυτό το προϊόν. Ισχύουν χρεώσεις δεδομένων. Σε ορισμένες χώρες ενδέχεται να διατίθεται online υποστήριξη πληροφόρησης.



Πληροφορίες ανακύκλωσης

		Κάθε είδους συσκευασία, χρησιμοποιημένα λάδια και μπαταρίες πρέπει να ανακυκλώνονται σύμφωνα με τους ισχύοντες κανονισμούς.
--	--	---

Ασφάλεια Χειριστή

Σύμβολο ειδοποίησης ασφαλείας και προειδοποιητικές λέξεις

Το σύμβολο ειδοποίησης ασφαλείας παρέχει πληροφορίες σχετικά με τους κινδύνους που μπορούν να προκαλέσουν σωματικό τραυματισμό. Μαζί με το σύμβολο ειδοποίησης χρησιμοποιείται μια προειδοποιητική λέξη (ΚΙΝΔΥΝΟΣ, ΠΡΟΕΙΔΟΠΟΙΗΣΗ ή ΠΡΟΣΟΧΗ) η οποία υποδεικνύει την πιθανότητα και τη σοβαρότητα του πιθανού τραυματισμού. Επιπλέον, για τον χαρακτηρισμό του τύπου του κινδύνου μπορεί να χρησιμοποιείται κάποιο συναφές σύμβολο.

Η ένδειξη **ΚΙΝΔΥΝΟΣ** δηλώνει κίνδυνο ο οποίος, εάν δεν αποφευχθεί, **θα προκαλέσει θάνατο ή σοβαρό τραυματισμό.**

Η ένδειξη **ΠΡΟΕΙΔΟΠΟΙΗΣΗ** δηλώνει κίνδυνο ο οποίος, εάν δεν αποφευχθεί, **θα μπορούσε να προκαλέσει θάνατο ή σοβαρό τραυματισμό.**

Η ένδειξη **ΠΡΟΣΟΧΗ** δηλώνει κίνδυνο ο οποίος, εάν δεν αποφευχθεί, **θα μπορούσε να προκαλέσει τραυματισμό μικρού ή μεσαίου βαθμού.**

Η ένδειξη **ΕΠΙΣΗΜΑΝΣΗ** δηλώνει μια κατάσταση η οποία **θα μπορούσε να προκαλέσει βλάβη του προϊόντος.**

Σύμβολα κινδύνου και τι σημαίνουν

Σύμβολο	Σημασία	Σύμβολο	Σημασία
	Πληροφορίες ασφαλείας σχετικά με κινδύνους που μπορούν να προκαλέσουν τραυματισμό ατόμων.		Διαβάστε και κατανοήστε το εγχειρίδιο χειριστή πριν τη χρήση ή το σέρβις της μονάδας.
	Κίνδυνος πυρκαγιάς		Κίνδυνος έκρηξης
	Κίνδυνος ηλεκτροπληξίας		Κίνδυνος από τοξικές αναθυμιάσεις
	Κίνδυνος από καυτή επιφάνεια		Κίνδυνος από θόρυβο - Συνιστάται προστασία ακοής για παρατεταμένη χρήση.
	Κίνδυνος από εκτινασόμενα αντικείμενα - Φοράτε προστασία ματιών.		Κίνδυνος έκρηξης
	Κίνδυνος κρυοπαγημάτων		Κίνδυνος ανάδρασης
	Κίνδυνος ακρωτηριασμού - κινούμενα μέρη		Χημικός κίνδυνος
	Κίνδυνος από θερμότητα		Διαβρωτικό

Μηνύματα για θέματα ασφαλείας

ΠΡΟΕΙΔΟΠΟΙΗΣΗ

Ορισμένα εξαρτήματα του προϊόντος και τα σχετικά παρελκόμενά του περιέχουν ουσίες που, σύμφωνα με έρευνες οι οποίες έχουν γίνει στην Πολιτεία της Καλιφόρνιας, είναι γνωστό ότι προκαλούν καρκίνο, εκ γενετής ανωμαλίες ή άλλες βλάβες στο αναπαραγωγικό σύστημα. Πρέπει να πλένετε τα χέρια σας μετά τον χειρισμό του μηχανήματος.

ΠΡΟΕΙΔΟΠΟΙΗΣΗ

Τα καυσαέρια από τον κινητήρα του προϊόντος περιέχουν χημικές ουσίες που, σύμφωνα με έρευνες οι οποίες έχουν γίνει στην Πολιτεία της Καλιφόρνιας, είναι γνωστό ότι προκαλούν καρκίνο, εκ γενετής ανωμαλίες ή άλλες βλάβες στο αναπαραγωγικό σύστημα.

ΠΡΟΕΙΔΟΠΟΙΗΣΗ

Οι κινητήρες της Briggs & Stratton δεν έχουν σχεδιαστεί και δεν προορίζονται για μετάδοση κίνησης σε: αυτοκινητίδια αναψυχής (fun-karts, go-karts), παιδικά οχήματα, οχήματα αναψυχής, αθλητικά οχήματα παντός εδάφους (ATV), μοτοσικλέτες, αερόστρωμνα οχήματα (χόβερκραφτ), αεροσκάφη ή αγωνιστικά οχήματα μη εγκεκριμένα από την Briggs & Stratton. Για πληροφορίες σχετικά με αγωνιστικά προϊόντα, επισκεφθείτε τη σελίδα www.briggsracing.com. Για οχήματα ειδικών χρήσεων και τετράτροχα οχήματα παντός εδάφους side-by-side, καλέστε το κέντρο εφαρμογών κινητήρων της Briggs & Stratton στον αριθμό 1-866-927-3349. Η μη ενδεδειγμένη χρήση του κινητήρα μπορεί να προκαλέσει σοβαρό τραυματισμό ή θάνατο.



ΠΡΟΕΙΔΟΠΟΙΗΣΗ



Το καύσιμο και οι αναθυμιάσεις του συνιστούν εξαιρετικά εύφλεκτες και εκρηκτικές ουσίες.

Σε περίπτωση πυρκαγιάς ή έκρηξης υπάρχει κίνδυνος πρόκλησης σοβαρών εγκαυμάτων ή ακόμη και θανάτου.

Κατά την προσθήκη καυσίμου

- Σβήστε τον κινητήρα και αφήστε τον να κρυώσει τουλάχιστον 2 λεπτά προτού βγάλετε την τάπα του καυσίμου.
- Γεμίστε τη δεξαμενή καυσίμου σε εξωτερικό ή σε καλά εξαεριζόμενο χώρο.
- Μη γεμίζετε υπερβολικά τη δεξαμενή καυσίμων. Για να υπάρχει αρκετός χώρος όταν διασταλεί το καύσιμο, μην γεμίζετε τη δεξαμενή καυσίμου πάνω από τη βάση του λαιμού της.
- Το καύσιμο πρέπει να μένει μακριά από σπινθήρες, ανοιχτές φλόγες, φλόγες εναύσματος, πηγές θερμότητας και άλλες πηγές ανάφλεξης.
- Φροντίστε να ελέγχετε συχνά μήπως οι γραμμές, η δεξαμενή, η τάπα και οι σύνδεσμοι των σωλήνων του καυσίμου παρουσιάζουν ρωγμές ή διαρροή. Αν χρειαστεί, αντικαταστήστε όποιο εξάρτημα παρουσιάζει πρόβλημα.
- Αν χυθεί καύσιμο, περιμένετε να εξατμιστεί προτού θέσετε σε λειτουργία τον κινητήρα.

Κατά την εκκίνηση του κινητήρα

- Βεβαιωθείτε ότι έχουν τοποθετηθεί και στερεωθεί καλά στη θέση τους το μπουζί, ο σιγαστήρας εξάτμισης, η τάπα του νεπόζιτου καυσίμου και το φίλτρο αέρα (εάν υπάρχει).
- Μη θέτετε σε λειτουργία τον κινητήρα αν έχετε βγάλει το μπουζί.
- Εάν ο κινητήρας μπλοκάρει, θέστε το τσοκ (εάν υπάρχει) στη θέση OPEN/RUN, μετακινήστε το χειριστήριο γκαζιού (εάν υπάρχει) στη θέση FAST και τραβήξτε το σχοινί εκκίνησης έως ότου τεθεί σε λειτουργία ο κινητήρας.

Κατά τη λειτουργία του εξοπλισμού

- Μη δίνετε στον κινητήρα ή στον εξοπλισμό κλίση σε γωνία που προκαλεί έκχυση του καυσίμου.
- Μην κλείνετε τον αέρα στο καρμπυρατέρ για να σταματήσετε τον κινητήρα.
- Ποτέ μη θέτετε και μη διατηρείτε σε λειτουργία τον κινητήρα όταν έχει αφαιρεθεί το συγκρότημα του φίλτρου αέρα (εάν υπάρχει) ή το ίδιο το φίλτρο αέρα (εάν υπάρχει).

Κατά την αλλαγή του λαδιού

- Εάν αδειάζετε το λάδι από τον επάνω σωλήνα πλήρωσης λαδιού, το νεπόζιτο καυσίμου πρέπει να είναι άδειο, διαφορετικά υπάρχει κίνδυνος διαρροής καυσίμου και πρόκλησης πυρκαγιάς ή έκρηξης.

Όταν πρέπει να γείρετε τη μονάδα για εργασίες συντήρησης

- Εάν πρέπει να γείρετε τη μονάδα για λόγους συντήρησης, το δοχείο καυσίμου, εάν είναι τοποθετημένο στον κινητήρα, πρέπει να είναι άδειο διότι, διαφορετικά, υπάρχει κίνδυνος διαρροής καυσίμου και πρόκλησης πυρκαγιάς ή έκρηξης.

Κατά τη μεταφορά του εξοπλισμού

- Μεταφέρετε τον εξοπλισμό με το νεπόζιτο καυσίμου ΑΔΕΙΟ ή με τη βαλβίδα παροχής καυσίμου ΚΛΕΙΣΤΗ.

Για την αποθήκευση καυσίμου ή εξοπλισμού με καύσιμο στο νεπόζιτο

- Αποθηκεύετε μακριά από φούρνους, θερμάστρες, θερμαντήρες νερού ή άλλες συσκευές που χρησιμοποιούν πιλοτική φλόγα ή άλλες πηγές ανάφλεξης, επειδή μπορούν να προκαλέσουν ανάφλεξη των αναθυμιάσεων καυσίμου.



ΠΡΟΕΙΔΟΠΟΙΗΣΗ



Η εκκίνηση του κινητήρα προκαλεί σπινθηρισμούς.

Με τον σπινθηρισμό υπάρχει κίνδυνος ανάφλεξης εύφλεκτων αερίων στον χώρο.

Στην περίπτωση αυτή υπάρχει κίνδυνος πρόκλησης έκρηξης και πυρκαγιάς.

- Εάν στην περιοχή υπάρχει διαρροή φυσικού αερίου ή υγραερίου, μη θέσετε σε λειτουργία τον κινητήρα.
- Μην χρησιμοποιείτε υγρά υποβοήθησης εκκίνησης που βρίσκονται υπό πίεση επειδή οι αναθυμιάσεις τους είναι εύφλεκτες.



ΠΡΟΕΙΔΟΠΟΙΗΣΗ



ΚΙΝΔΥΝΟΣ ΔΗΛΗΤΗΡΙΩΔΟΥΣ ΑΕΡΙΟΥ. Τα αέρια που εκπέμπει ο κινητήρας περιέχουν μονοξείδιο του άνθρακα, ένα δηλητηριώδες αέριο το οποίο μπορεί να επιφέρει τον θάνατο μέσα σε λίγα λεπτά. Είναι ΑΟΡΑΤΟ, ΑΟΣΜΟ και ΑΓΕΥΣΤΟ. Το γεγονός ότι δεν μυρίζετε τα καυσάεiria δεν αποκλείει την πιθανότητα έκθεσής σας σε μονοξείδιο του άνθρακα. Εάν νιώσετε άρρωστοι, ζαλάδα, ή αδυναμία χρησιμοποιώντας το προϊόν βγείτε έξω και αναπνεύστε καθαρό αέρα ΑΜΕΣΩΣ. Επισκεφθείτε γιατρό. Ενδέχεται να έχετε δηλητηριαστεί από μονοξείδιο του άνθρακα.

- Χρησιμοποιείτε το προϊόν MONO σε εξωτερικούς χώρους, μακριά από παράθυρα, πόρτες και αεραγωγούς, προκειμένου να μειώσετε τον κίνδυνο συσσώρευσης και ενδεχόμενης διέλευσης του μονοξειδίου του άνθρακα σε χώρους όπου βρίσκονται άνθρωποι.
- Εγκαταστήστε ανιχνευτές μονοξειδίου του άνθρακα που λειτουργούν με μπαταρία ή βυσματούμενους ανιχνευτές μονοξειδίου του άνθρακα (με εφεδρική μπαταρία) σύμφωνα με τις οδηγίες του κατασκευαστή. Οι ανιχνευτές καπνού δεν μπορούν να ανιχνεύσουν αέριο μονοξείδιο του άνθρακα.
- ΜΗΝ χρησιμοποιήσετε το προϊόν μέσα σε σπία, γκαράζ, ψηλοτάβανα ή χαμηλοτάβανα υπόγεια, φράχτες ή άλλους μερικώς κλειστούς χώρους ακόμη και αν χρησιμοποιείτε ανεμιστήρες ή ανοίγετε πόρτες και παράθυρα για εξαερισμό. Το μονοξείδιο του άνθρακα μπορεί να συσσωρευτεί γρήγορα στους χώρους αυτούς και να παραμείνει για ώρες, ακόμα και μετά τη διακοπή της λειτουργίας της συσκευής.
- Τοποθετείτε ΠΑΝΤΑ τη συσκευή στην υπήνεμη πλευρά και με την εξάτμιση του κινητήρα στραμμένη μακριά από χώρους όπου βρίσκονται άνθρωποι.



ΠΡΟΕΙΔΟΠΟΙΗΣΗ



Η ταχεία επανατύλιξη του σχοινιού εκκίνησης (κλώτσημα) θα τραβήξει το χέρι και τον βραχιόνά σας προς τον κινητήρα πριν προλάβετε να αφήσετε το σχοινί.

Ενδέχεται να υποστείτε κατάγματα, συντριπτικά κατάγματα, μώλωπες ή διαστρέμματα.

- Κατά την εκκίνηση του κινητήρα, τραβήξτε το σχοινί εκκίνησης αργά έως ότου αισθανθείτε αντίσταση και, στη συνέχεια, τραβήξτε απότομα για να αποφύγετε τυχόν κλώτσημα.
- Πριν να εκκινήσετε τον κινητήρα, αφαιρέστε όλα τα εξωτερικά φορτία του εξοπλισμού/κινητήρα.
- Εξαρτήματα άμεσης ζεύξης όπως, μεταξύ άλλων, λεπίδες, περρωτές, τροχαλίες, αλυσοτροχοί κλπ, πρέπει να ασφαλιζονται.



ΠΡΟΕΙΔΟΠΟΙΗΣΗ



Τα χέρια, τα πόδια, τα μαλλιά, τα ρούχα ή τα κοσμήματά σας υπάρχει κίνδυνος να ακουμπήσουν ή να πιαστούν σε περιστρεφόμενα εξαρτήματα.

Ενδέχεται να προκληθεί ακρωτηριασμός ή σοβαρής μορφής καταταμαχισμός.

- Όταν χειρίζεστε τον εξοπλισμό φροντίστε ώστε οι προφυλακτήρες να βρίσκονται εγκαταστημένοι στη θέση τους.
- Κρατάτε τα χέρια και τα πόδια σας μακριά από τα περιστρεφόμενα εξαρτήματα.
- Δέστε τα μαλλιά σας αν είναι μακριά και βγάλτε τα κοσμήματά σας.
- Μην φοράτε ρούχα που εφαρμόζουν χαλαρά επάνω σας, κορδόνια που κρέμονται ή είδη που θα μπορούσαν να πιαστούν στα περιστρεφόμενα εξαρτήματα του κινητήρα.



ΠΡΟΕΙΔΟΠΟΙΗΣΗ



Η λειτουργία των κινητήρων παράγει θερμότητα. Τα εξαρτήματα των κινητήρων, ιδίως ο σιγαστήρας, μπορεί να υπερθερμανθούν.

Υπάρχει κίνδυνος σοβαρού εγκαύματος από οποιαδήποτε επαφή.

Τα εύφλεκτα υπολείμματα, όπως φύλλα, γρασιδί, θάμνοι κ.λπ. μπορούν να πάρουν φωτιά.

- Μην αγγίζετε τον σιγαστήρα, τον κύλινδρο του κινητήρα και τα πτερύγια αν δεν κρυώσουν.
- Απομακρύνετε τα συσσωρευμένα υπολείμματα από την περιοχή του σιγαστήρα και του κυλίνδρου.
- Η χρήση ή η λειτουργία του κινητήρα σε δασώδη, χλωώδη ή θαμνώδη άγρια περιοχή συνιστά παράβαση του Τμήματος 4442 του Κώδικα περί Φυσικών Πόρων της

Καλιφόρνιας, εκτός εάν το σύστημα εξάτμισης διαθέτει σήτα απορρόφησης σπινθήρων που διατηρείται σε καλή λειτουργική κατάσταση, όπως ορίζεται στο Τμήμα 4442. Παρόμοιοι νόμοι ενδέχεται να ισχύουν και σε άλλες πολιτείες ή περιοχές ομοσπονδιακής δικαιοδοσίας των ΗΠΑ. Για να προμηθευτείτε πλέγμα προστασίας από σπινθήρες το οποίο είναι σχεδιασμένο για το σύστημα εξάτμισης που υπάρχει εγκατεστημένο στον συγκεκριμένο κινητήρα, αποταθείτε στον αρχικό κατασκευαστή του εξοπλισμού.



ΠΡΟΕΙΔΟΠΟΙΗΣΗ

Αν κατά λάθος προκληθούν σπινθήρες, υπάρχει κίνδυνος πυρκαγιάς ή ηλεκτροπληξίας.

Αν κατά λάθος γίνει εκκίνηση του κινητήρα, υπάρχει κίνδυνος να πιαστούν κάποια μέλη του σώματός σας, να τραυματιστείτε σοβαρά ή ακόμη και να ακρωτηριαστείτε ή να κοπείτε.

Κίνδυνος πυρκαγιάς

Πριν από την εκτέλεση ρυθμίσεων ή επισκευών:

- Αποσυνδέστε το καλώδιο του αναφλεκτήρα και φυλάξτε το μακριά από τον αναφλεκτήρα.
- Αποσυνδέστε την μπαταρία από τον αρνητικό ακροδέκτη (μόνο για κινητήρες με ηλεκτρική εκκίνηση.)
- Χρησιμοποιείτε μόνο τα σωστά εργαλεία.
- Μην επεμβαίνετε στα ελατήρια του ρυθμιστή ταχύτητας, τους μηχανισμούς ή τα άλλα εξαρτήματα για να αυξήσετε την ταχύτητα του κινητήρα.
- Τα ανταλλακτικά πρέπει να είναι ίδια με τα γνήσια εξαρτήματα και να τοποθετούνται στην ίδια θέση με τα αρχικά εξαρτήματα. Εάν τα εξαρτήματα διαφέρουν, ενδέχεται να μην αποδίδουν εξίσου καλά, να προκαλούν βλάβες στη μονάδα, ακόμη και τραυματισμό.
- Μην χτυπάτε τον σφόνδυλο με σφυρί ή άλλο σκληρό αντικείμενο, διότι υπάρχει κίνδυνος να σπάσει κατά τη λειτουργία.

Κατά την εκτέλεση δοκιμών για σπινθήρα:

- Χρησιμοποιήστε εγκεκριμένο δοκιμαστήρα μπουζί.
- Μην ελέγχετε για σπινθήρα ενώ έχετε αφαιρέσει το μπουζί.

Χαρακτηριστικά και χειριστήρια

Χειριστήρια κινητήρα

Συγκρίνετε την απεικόνιση (Εικόνα: 1, 2) με τον κινητήρα σας για να εξοικειωθείτε με τη θέση των διαφόρων χαρακτηριστικών και μοχλών.

- A. Στοιχεία κινητήρα Μοντέλο - Τύπος - Κωδικός
- B. Μπουζί
- C. Φίλτρο αέρα, χαμηλής διατομής
- D. Δείκτης στάθμης
- E. Οπή πλήρωσης λαδιού
- F. Φίλτρο λαδιού
- G. Πώμα αποστράγγισης λαδιού
- H. Αισθητήρας πίεσης λαδιού
- I. Σχάρα αναρρόφησης αέρα
- J. Διακόπτης ηλεκτρικής εκκίνησης
- K. Σωληνοειδές εκκίνησης
- L. Ρυθμιστής/Ανορθωτής
- M. Ψύκτης λαδιού (εφόσον υπάρχει)
- N. Εξάτμιση (εφόσον υπάρχει)
- O. Αντλία καυσίμου
- P. Διακόπτης εκκίνησης ¹
- Q. Χειριστήριο τσοκ - Μοντέλα με καρμπιρατέρ ¹
- R. Φίλτρο καυσίμου (εφόσον υπάρχει)

¹ Ορισμένοι κινητήρες και εξοπλισμοί διαθέτουν τηλεχειρισμό. Για τη θέση και τη λειτουργία του τηλεχειρισμού ανατρέξτε στο εγχειρίδιο του εξοπλισμού.

Σύμβολα ελέγχου του κινητήρα και τι σημαίνουν

Σύμβολο	Σημασία	Σύμβολο	Σημασία
	Ταχύτητα κινητήρα - FAST (Γρήγορη)		Ταχύτητα κινητήρα - SLOW (Αργή)
	Ταχύτητα κινητήρα - STOP (Παύση)		ON - OFF (Ενεργοποίηση - Απενεργοποίηση)
	Εκκίνηση κινητήρα - Τσοκ στη θέση CLOSED (Κλειστό)		Εκκίνηση κινητήρα - Τσοκ στη θέση OPEN (Ανοικτό)
	Πώμα ντεπόζιτου καυσίμου Διακόπτης παροχής καυσίμου - OPEN (Ανοικτός)		Διακόπτης παροχής καυσίμου - CLOSED (Κλειστός)
	Στάθμη καυσίμου - Μέγιστη Μην γεμίζετε υπερβολικά		

Λειτουργία

Συστάσεις για το λάδι

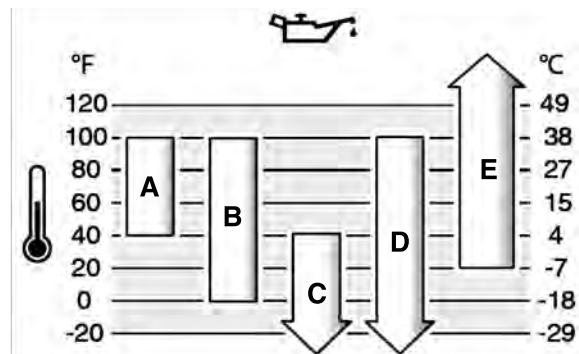
Χωρητικότητα λαδιού: Ανατρέξτε στην **Προδιαγραφές** ενότητα.

ΕΠΙΣΗΜΑΝΣΗ

Ο κινητήρας αυτός αποστέλλεται από την Briggs & Stratton χωρίς λάδι. Κατασκευαστές εξοπλισμού ή αντιπρόσωποι ενδέχεται να έχουν προσθέσει λάδι στον κινητήρα. Προτού εκκινήσετε τον κινητήρα για πρώτη φορά, φροντίστε να ελέγξετε τη στάθμη λαδιού και προσθέστε λάδι σύμφωνα με τις οδηγίες που παρέχονται στο εγχειρίδιο. Εάν θέσετε τον κινητήρα σε λειτουργία χωρίς λάδι, θα υποστεί ανεπανόρθωτη βλάβη η οποία δεν θα καλύπτεται από την εγγύηση.

Για βέλτιστη απόδοση, συνιστούμε τη χρήση πιστοποιημένων λαδιών με την εγγύηση της Briggs & Stratton. Άλλα απορρυπαντικά λάδια υψηλής ποιότητας είναι αποδεκτά εφόσον έχουν πιστοποιηθεί για χρήση SF, SG, SH, SJ ή υψηλότερη. Μην χρησιμοποιείτε ειδικά πρόσθετα.

Η εξωτερική θερμοκρασία καθορίζει το κατάλληλο ιξώδες λαδιού για τον κινητήρα. Χρησιμοποιήστε τον πίνακα για να επιλέξετε το καλύτερο ιξώδες για το αναμενόμενο εύρος εξωτερικής θερμοκρασίας. Οι κινητήρες στους περισσότερους εξοπλισμούς παραγωγής ισχύος εξωτερικών χώρων λειτουργούν καλά με συνθετικό λάδι 5W-30. Για εξοπλισμούς που χρησιμοποιούνται σε υψηλές θερμοκρασίες, το συνθετικό λάδι Vanguard™ 15W-50 παρέχει τη βέλτιστη προστασία.



A SAE 30 - Η χρήση λαδιού SAE 30 σε θερμοκρασίες κάτω των 4 °C (40 °F) θα έχει ως αποτέλεσμα τη δύσκολη εκκίνηση του κινητήρα.

B	10W-30 - Αν το 10W-30 χρησιμοποιηθεί σε θερμοκρασία πάνω από 27 °C (80 °F), μπορεί να αυξηθεί η κατανάλωση λαδιού. Ελέγχετε τη στάθμη του λαδιού συχνά.
C	5W-30
D	Συνθετικό λάδι 5W-30
E	Συνθετικό λάδι Vanguard™ 15W-50

Έλεγχος στάθμης λαδιού

Βλ. Εικόνα: 3

Πριν από την προσθήκη ή τον έλεγχο της στάθμης λαδιού

- Βεβαιωθείτε ότι ο κινητήρας βρίσκεται σε οριζόντια θέση.
 - Καθαρίστε την περιοχή γύρω από το πώμα πλήρωσης λαδιού από τυχόν υπολείμματα.
1. Αφαιρέστε τον δείκτη στάθμης λαδιού (Α, Εικόνα 3) και σκουπίστε τον με ένα καθαρό πανί.
 2. Τοποθετήστε καλά τον δείκτη στάθμης (Α, Εικόνα 3).
 3. Αφαιρέστε τον δείκτη στάθμης λαδιού και ελέγξτε τη στάθμη του λαδιού. Η σωστή στάθμη λαδιού είναι το πάνω σημείο της ένδειξης πλήρους στάθμης (Β, Εικόνα 3) που απεικονίζεται στον δείκτη στάθμης.
 4. Αν η στάθμη του λαδιού είναι χαμηλή, προσθέστε λάδι από την οπή πλήρωσης λαδιού (C, Εικόνα 3). **Μην γεμίζετε υπερβολικά.** Μετά από την προσθήκη λαδιού, περιμένετε ένα λεπτό και, στη συνέχεια, ελέγξτε εκ νέου τη στάθμη λαδιού.
 5. Τοποθετήστε καλά τον δείκτη στάθμης (Α, Εικόνα 3).

Σύστημα προστασίας από χαμηλή στάθμη λαδιού (εφόσον υπάρχει)

Ορισμένοι κινητήρες είναι εξοπλισμένοι με αισθητήρα χαμηλής στάθμης λαδιού. Αν η στάθμη του λαδιού είναι χαμηλή, ο αισθητήρας είτε θα ενεργοποιήσει μια προειδοποιητική λυχνία είτε θα σβήσει τον κινητήρα. Σβήστε τον κινητήρα και ακολουθήστε αυτά τα βήματα πριν τον επανεκκινήσετε.

- Βεβαιωθείτε ότι ο κινητήρας βρίσκεται σε οριζόντια θέση.
- Ελέγξτε τη στάθμη του λαδιού. Ανατρέξτε στην ενότητα **Έλεγχος στάθμης λαδιού**.
- Αν η στάθμη του λαδιού είναι χαμηλή, προσθέστε τη σωστή ποσότητα λαδιού. Θέστε σε λειτουργία τον κινητήρα και βεβαιωθείτε ότι δεν ενεργοποιείται η προειδοποιητική λυχνία (εφόσον υπάρχει).
- Αν η στάθμη του λαδιού δεν είναι χαμηλή, μη θέσετε σε λειτουργία τον κινητήρα. Απευθυνθείτε σε εξουσιοδοτημένο αντιπρόσωπο σέρβις της Briggs & Stratton για να διορθώσει το πρόβλημα με το λάδι.

Συστάσεις για το καύσιμο

Το καύσιμο πρέπει να πληροί τις ακόλουθες απαιτήσεις:

- Καθαρή, φρέσκια, αμόλυβδη βενζίνη.
- Τουλάχιστον 87 οκτάνια/87 AKI (91 RON). Για χρήση σε μεγάλο υψόμετρο βλ. παρακάτω.
- Βενζίνη με έως 10% αιθανόλη (βενζινόλη) είναι αποδεκτή.

ΕΠΙΣΗΜΑΝΣΗ Μην χρησιμοποιείτε μη εγκεκριμένα είδη βενζίνης, όπως E15 και E85. Μην προσθέτετε λάδι στη βενζίνη ούτε να τροποποιείτε τον κινητήρα για να λειτουργεί με εναλλακτικά καύσιμα. Η χρήση μη εγκεκριμένων καυσίμων μπορεί να προκαλέσει βλάβη στα εξαρτήματα του κινητήρα η οποία δεν καλύπτεται από την εγγύηση.

Για να προστατέψετε το σύστημα τροφοδοσίας καυσίμου από τον σχηματισμό υπολειμμάτων, αναμείξτε κατά την προσθήκη καυσίμου ένα βελτιωτικό. Βλέπε **Αποθήκευση**. Όλα τα είδη καυσίμου δεν είναι ίδια. Όταν υπάρχουν προβλήματα ως προς τη εκκίνηση ή την απόδοση του κινητήρα, τότε αλλάξτε προμηθευτή ή μάρκα καυσίμου. Ο εν λόγω κινητήρας έχει πιστοποιηθεί για λειτουργία με βενζίνη. Το σύστημα ελέγχου εκπομπών καυσαερίων για τον συγκεκριμένο κινητήρα είναι EM (Τροποποιήσεις Κινητήρα).

Μεγάλο υψόμετρο

Σε υψόμετρα μεγαλύτερα από 1524 μέτρα (5.000 πόδια), είναι αποδεκτή η χρήση βενζίνης τουλάχιστον 85 οκτανίων/85 AKI (89 RON).

Για κινητήρες με καρμπυρατέρ, απαιτείται ρύθμιση για μεγάλα υψόμετρα για να διατηρηθεί η απόδοση. Η λειτουργία χωρίς τη συγκεκριμένη ρύθμιση θα έχει ως αποτέλεσμα μειωμένη απόδοση, αυξημένη κατανάλωση καυσίμου και αυξημένες εκπομπές καυσαερίων. Για πληροφορίες σχετικά με τη ρύθμιση για μεγάλα υψόμετρα απευθυνθείτε σε εξουσιοδοτημένο αντιπρόσωπο σέρβις της Briggs & Stratton. Δεν ενδείκνυται η λειτουργία του κινητήρα με το kit για μεγάλα υψόμετρα όταν το υψόμετρο είναι μικρότερο από 762 μέτρα (2.500 πόδια).

Για κινητήρες με ηλεκτρονικό ψεκασμό καυσίμου (EFI) δεν απαιτείται ρύθμιση μεγάλου υψόμετρο.

Προσθήκη καυσίμου

Βλέπε Εικόνα: 4



ΠΡΟΕΙΔΟΠΟΙΗΣΗ



Το καύσιμο και οι αναθυμιάσεις του συνιστούν εξαιρετικά εύφλεκτες και εκρηκτικές ουσίες.

Ενδεχόμενη φωτιά ή έκρηξη μπορούν να προκαλέσουν σοβαρά εγκαύματα ή θάνατο.

Κατά την προσθήκη καυσίμου

- Σβήστε τον κινητήρα και αφήστε τον να κρυώσει για τουλάχιστον 2 λεπτά προτού να αφαιρέσετε το πώμα του ντεπόζιτου καυσίμου.
 - Γεμίστε το ντεπόζιτο καυσίμου σε εξωτερικό ή καλά αεριζόμενο χώρο.
 - Μη γεμίζετε υπερβολικά το ντεπόζιτο καυσίμου. Μην υπερβείτε το κάτω μέρος του στομίου του ντεπόζιτου καυσίμου, ώστε να υπάρχει χώρος για τη διαστολή του καυσίμου.
 - Φροντίστε ώστε η βενζίνη να μην έρχεται σε επαφή με σπινθήρες, γυμνές φλόγες, οδηγούς φλόγες, θερμότητα και άλλες πηγές ανάφλεξης.
 - Ελέγχετε συχνά τις σωληνώσεις καυσίμου, το ντεπόζιτο καυσίμου, το πώμα και τα εξαρτήματα σύνδεσης για ρωγμές και διαρροές. Προβείτε σε αντικαταστάσεις εάν είναι απαραίτητο.
 - Εάν χυθεί καύσιμο, περιμένετε έως ότου εξατμιστεί προτού να προβείτε σε εκκίνηση του κινητήρα.
1. Απομακρύνετε ακαθαρσίες και υπολείμματα από την περιοχή γύρω από το πώμα του ντεπόζιτου καυσίμου. Αφαιρέστε το πώμα του ντεπόζιτου καυσίμου.
 2. Γεμίστε το ντεπόζιτο καυσίμου (Α, Εικόνα 4) με καύσιμο. Μη γεμίζετε περισσότερο από το κάτω μέρος του στομίου (Β) του ντεπόζιτου καυσίμου, ώστε να υπάρχει χώρος για τη διαστολή του καυσίμου.
 3. Επανατοποθετήστε το πώμα του ντεπόζιτου καυσίμου.

Εκκίνηση και διακοπή της λειτουργίας του κινητήρα

Βλ. Εικόνα: 5

Εκκίνηση του κινητήρα



ΠΡΟΕΙΔΟΠΟΙΗΣΗ



Το καύσιμο και οι αναθυμιάσεις του αποτελούν εξαιρετικά εύφλεκτες και εκρηκτικές ουσίες.

Σε περίπτωση πυρκαγιάς ή έκρηξης υπάρχει κίνδυνος πρόκλησης σοβαρών εγκαυμάτων ή ακόμη και θανάτου.

Κατά την εκκίνηση του κινητήρα

- Βεβαιωθείτε ότι έχουν τοποθετηθεί και στερεωθεί καλά στη θέση τους το μπουζί, ο σιγαστήρας εξάτμισης, η τάπα του ντεπόζιτου καυσίμου και το φίλτρο αέρα (εάν υπάρχει).
- Μη θέσετε σε λειτουργία τον κινητήρα αν έχετε βγάλει το μπουζί.
- Εάν ο κινητήρας μπουκώσει, θέστε το τσοκ (εάν υπάρχει) στη θέση OPEN/RUN, μετακινήστε το χειριστήριο γκαζιού (εάν υπάρχει) στη θέση FAST και τραβήξτε το σχονί εκκίνησης έως ότου τεθεί σε λειτουργία ο κινητήρας.



ΠΡΟΕΙΔΟΠΟΙΗΣΗ



ΚΙΝΔΥΝΟΣ ΔΗΛΗΤΗΡΙΩΔΟΥΣ ΑΕΡΙΟΥ. Τα αέρια που εκπέμπει ο κινητήρας περιέχουν μονοξείδιο του άνθρακα, ένα δηλητηριώδες αέριο το οποίο μπορεί να επιφέρει τον θάνατο μέσα σε λίγα λεπτά. Είναι ΑΟΡΑΤΟ, ΑΟΣΜΟ και ΑΓΕΥΣΤΟ. Το γεγονός ότι δεν μυρίζετε τα καυσαέρια δεν αποκλείει την πιθανότητα έκθεσής σας σε μονοξείδιο του άνθρακα. Σε περίπτωση που αισθανθείτε αδιαθεσία, ζαλάδα ή αδυναμία κατά τη χρήση του προϊόντος, σβήστε τον κινητήρα και μεταφερθείτε ΑΜΕΣΩΣ σε χώρο με καθαρό αέρα. Επισκεφθείτε γιατρό. Ενδέχεται να έχετε δηλητηριαστεί από μονοξείδιο του άνθρακα.

- Χρησιμοποιείτε το προϊόν MONO σε εξωτερικούς χώρους, μακριά από παράθυρα, πόρτες και αεραγωγούς, προκειμένου να μειώσετε τον κίνδυνο συσσώρευσης και ενδεχόμενης διέλευσης του μονοξειδίου του άνθρακα σε χώρους όπου βρίσκονται άνθρωποι.
- Εγκαταστήστε ανιχνευτές μονοξειδίου του άνθρακα που λειτουργούν με μπαταρία ή βυσματούμενους ανιχνευτές μονοξειδίου του άνθρακα με εφεδρική μπαταρία σύμφωνα

με τις οδηγίες του κατασκευαστή. Οι ανιχνευτές καπνού δεν μπορούν να ανιχνεύσουν αέριο μονοξειδίου του άνθρακα.

- ΜΗΝ χρησιμοποιήσετε το προϊόν μέσα σε σπίνια, γκαράζ, ψηλοτάβανα ή χαμηλοτάβανα υπόγεια, φράχτες ή άλλους μερικώς κλειστούς χώρους ακόμη και αν χρησιμοποιείτε ανεμιστήρες ή ανοίγετε πόρτες και παράθυρα για εξαερισμό. Το μονοξείδιο του άνθρακα μπορεί να συσσωρευτεί γρήγορα στους χώρους αυτούς και να παραμείνει για ώρες, ακόμα και μετά τη διακοπή της λειτουργίας της συσκευής.
- Τοποθετείτε ΠΑΝΤΑ αυτό το προϊόν στην υπήνημη πλευρά και με την εξάτμιση του κινητήρα στραμμένη μακριά από χώρους όπου βρίσκονται άνθρωποι.

ΕΠΙΣΗΜΑΝΣΗ Ο κινητήρας αυτός αποστέλλεται από την Briggs & Stratton χωρίς λάδι. Πρωτό εκκινήστε τον κινητήρα, βεβαιωθείτε ότι έχετε προσθέσει λάδι σύμφωνα με τις οδηγίες που παρέχονται στο εγχειρίδιο. Εάν θέσετε τον κινητήρα σε λειτουργία χωρίς λάδι, θα υποστεί ανεπανόρθωτη βλάβη, η οποία δεν καλύπτεται από την εγγύηση.

Προσδιορισμός του συστήματος εκκίνησης

Πριν θέσετε σε λειτουργία τον κινητήρα, πρέπει να προσδιορίσετε τον τύπο του συστήματος εκκίνησης που διαθέτει ο κινητήρας σας. Ο κινητήρας σας θα διαθέτει έναν από τους ακόλουθους τύπους.

- **Σύστημα ηλεκτρονικής έγχυσης καυσίμου (EFI):** Περιλαμβάνει σύστημα ηλεκτρονικής έγχυσης καυσίμου. Δεν διαθέτει τσοκ ούτε πουάρ.
- **Σύστημα τσοκ:** Το σύστημα διαθέτει τσοκ για την εκκίνηση του κινητήρα σε χαμηλές θερμοκρασίες. Ορισμένα μοντέλα διαθέτουν ξεχωριστό μοχλό τσοκ ενώ άλλα διαθέτουν συνδυασμένο μοχλό τσοκ/γκαζιού. Αυτός ο τύπος δεν διαθέτει μεμβράνη.

Σημείωση: Ο εξοπλισμός μπορεί να διαθέτει τηλεχειρισμό. Για τη θέση και τη λειτουργία του τηλεχειρισμού ανατρέξτε στο εγχειρίδιο του εξοπλισμού.

Σύστημα ηλεκτρονικής έγχυσης καυσίμου (EFI)

1. Ελέγξτε το λάδι του κινητήρα. Ανατρέξτε στην ενότητα **Έλεγχος της στάθμης λαδιού**.
2. Βεβαιωθείτε ότι όλα τα χειριστήρια μετάδοσης κίνησης του εξοπλισμού, εάν υπάρχουν, είναι αποσυμπλεγμένα.
3. Μετακινήστε τον διακόπτη (βαλβίδα) καυσίμου (Α, Εικόνα 5), εφόσον υπάρχει, στη θέση OPEN.
4. Μετακινήστε το χειριστήριο του γκαζιού στη θέση SLOW.
5. Πιέστε τον διακόπτη λειτουργίας (D, Εικόνα 5), εφόσον υπάρχει, στη θέση ON.
6. Στρέψτε τον διακόπτη ηλεκτρικής εκκίνησης (Ε, Εικόνα 5) στη θέση ON ή START.

ΕΠΙΣΗΜΑΝΣΗ Για να παρατείνετε τη διάρκεια ζωής του εκκινήτηρα, χρησιμοποιήστε σύντομους κύκλους εκκίνησης (πέντε δευτερόλεπτων κατά το μέγιστο). Αφήστε ένα λεπτό μεταξύ των κύκλων εκκίνησης.

Σημείωση: Εάν ο κινητήρας δεν ξεκινήσει μετά από επανειλημμένες προσπάθειες, απευθυνθείτε στον τοπικό σας αντιπρόσωπο ή επισκεφθείτε την ηλεκτρονική διεύθυνση **VanguardEngines.com** ή καλέστε στον αριθμό **1-800-999-9333** (στις ΗΠΑ).

Σύστημα τσοκ

1. Ελέγξτε το λάδι του κινητήρα. Ανατρέξτε στην ενότητα **Έλεγχος της στάθμης λαδιού**.
2. Βεβαιωθείτε ότι όλα τα χειριστήρια μετάδοσης κίνησης του εξοπλισμού, εάν υπάρχουν, είναι αποσυμπλεγμένα.
3. Μετακινήστε τον διακόπτη (βαλβίδα) καυσίμου (Α, Εικόνα 5), εφόσον υπάρχει, στη θέση OPEN.
4. Μετακινήστε το χειριστήριο του γκαζιού στη θέση FAST.
5. Μετακινήστε το χειριστήριο τσοκ (C, Εικόνα 5), στη θέση CLOSED.

Σημείωση: Για να θέσετε τον κινητήρα σε λειτουργία για πρώτη φορά ή αφού έχει αδειάσει το ρεζερβουάρ καυσίμου, απαιτείται πρόσθετος χρόνος περιστροφής στη θέση CHOKE. Αυτό θα επιτρέψει στην αντλία καυσίμου να ενεργοποιήσει το σύστημα καυσίμου.

6. Πιέστε τον διακόπτη λειτουργίας (D, Εικόνα 5), εφόσον υπάρχει, στη θέση ON.
7. Στρέψτε τον διακόπτη με κλειδί (Ε, Εικόνα 5) στη θέση ON ή START.
8. Εάν ο κινητήρας πυροδοτείται αλλά δεν συνεχίζει να λειτουργεί, σπρώξτε το χειριστήριο τσοκ (C, Εικόνα 5) στη θέση OPEN για να τον θέσετε σε λειτουργία.

ΕΠΙΣΗΜΑΝΣΗ Για να παρατείνετε τη διάρκεια ζωής του εκκινήτηρα, χρησιμοποιήστε σύντομους κύκλους εκκίνησης (πέντε δευτερόλεπτων κατά το μέγιστο). Αφήστε ένα λεπτό μεταξύ των κύκλων εκκίνησης.

9. Καθώς ο κινητήρας θερμαίνεται, σπρώξτε μέσα το χειριστήριο τσοκ (C, Εικόνα 5) στη θέση OPEN.

Σημείωση: Εάν ο κινητήρας δεν ξεκινήσει μετά από επανειλημμένες προσπάθειες, απευθυνθείτε στον τοπικό σας αντιπρόσωπο ή επισκεφθείτε την ηλεκτρονική διεύθυνση **VanguardEngines.com** ή καλέστε στον αριθμό **1-800-999-9333** (στις ΗΠΑ).

Σβήστε τον κινητήρα



ΠΡΟΕΙΔΟΠΟΙΗΣΗ



Το καύσιμο και οι αναθυμιάσεις του συνιστούν εξαιρετικά εύφλεκτες και εκρηκτικές ουσίες.

Ενδεχόμενη φωτιά ή έκρηξη μπορούν να προκαλέσουν σοβαρά εγκαύματα ή θάνατο.

- Μην κλείνετε τον αέρα στο καρμπυρατέρ, εφόσον υπάρχει, για να σταματήσετε τον κινητήρα.

1. **Διακόπτης παύσης λειτουργίας, εάν υπάρχει:** Στρέψτε τον διακόπτη λειτουργίας (D, Εικόνα 5) στη θέση OFF.
Διακόπτης με κλειδί, εάν υπάρχει: Με το μοχλό γκαζιού, αν υπάρχει στον εξοπλισμό, στη θέση SLOW, στρέψτε τον διακόπτη με κλειδί (Ε, Εικόνα 5) στη θέση OFF. Αφαιρέστε το κλειδί και φυλάξτε το σε ασφαλές μέρος μακριά από παιδιά.
2. Μετά τη διακοπή λειτουργίας του κινητήρα, μετακινήστε τη διάταξη διακοπής καυσίμου (Α, Εικόνα 5), εφόσον υπάρχει, στη θέση CLOSED.

Συντήρηση

ΕΠΙΣΗΜΑΝΣΗ Αν κατά τη συντήρηση γείρετε τον κινητήρα, το ντεπόζιτο καυσίμου, αν είναι εγκατεστημένο πάνω στον κινητήρα, πρέπει να είναι άδειο και η πλευρά του μπουζί να είναι προς τα πάνω. Εάν το ντεπόζιτο καυσίμου δεν είναι άδειο και γείρετε τον κινητήρα προς οποιαδήποτε άλλη κατεύθυνση, ενδέχεται να είναι δύσκολο να τον θέσετε σε λειτουργία λόγω μόλυνσης με λάδι ή βενζίνη του φίλτρου αέρα και/ή του μπουζί.



ΠΡΟΕΙΔΟΠΟΙΗΣΗ

Εάν απαιτείται να γείρετε τη μονάδα για λόγους συντήρησης, το ντεπόζιτο καυσίμου πρέπει να είναι άδειο διότι, διαφορετικά, υπάρχει κίνδυνος διαρροής καυσίμου και πρόκλησης πυρκαγιάς ή έκρηξης.

Για κάθε εργασία συντήρησης και σέρβις του κινητήρα και των εξαρτημάτων του σας συνιστούμε να επισκέπτεστε έναν εξουσιοδοτημένο αντιπρόσωπο σέρβις της Briggs & Stratton.

ΕΠΙΣΗΜΑΝΣΗ Για να διασφαλιστεί η ομαλή λειτουργία αυτού του κινητήρα, όλα τα εξαρτήματα που χρησιμοποιήθηκαν για την κατασκευή του πρέπει να παραμείνουν στη θέση τους.



ΠΡΟΕΙΔΟΠΟΙΗΣΗ



Τυχόν ακούσια δημιουργία σπινθήρων μπορεί να προκαλέσει φωτιά ή ηλεκτροπληξία.

Τυχόν ακούσια εκκίνηση μπορεί να προκαλέσει εμπλοκή μέλους στον κινητήρα, ακρωτηριασμό ή σχίσσιμο.

Κίνδυνος πυρκαγιάς

Πριν από την εκτέλεση ρυθμίσεων ή επισκευών:

- Αποσυνδέστε το καλώδιο του μπουζί και κρατήστε το μακριά από το μπουζί.
- Αποσυνδέστε τον αρνητικό πόλο της μπαταρίας (μόνο για κινητήρες με ηλεκτρική εκκίνηση).
- Χρησιμοποιείτε μόνο τα σωστά εργαλεία.
- Μην επεμβαίνετε στο ελατήριο του ρυθμιστή ταχύτητας, στους μηχανισμούς ή στα άλλα εξαρτήματα για να αυξήσετε την ταχύτητα του κινητήρα.
- Τα ανταλλακτικά πρέπει να είναι ίδιου σχεδιασμού και να εγκαθίστανται στην ίδια θέση με τα γνήσια εξαρτήματα. Εάν τα εξαρτήματα διαφέρουν, ενδέχεται να μην αποδίδουν εξίσου καλά, να προκαλέσουν βλάβες στη μονάδα, ακόμη και τραυματισμό.
- Μην χτυπάτε το σφόνδυλο με σφυρί ή με άλλο σκληρό αντικείμενο, διότι υπάρχει κίνδυνος να σπάσει ο σφόνδυλος κατά τη λειτουργία.

Κατά τον έλεγχο για σπινθήρα:

- Χρησιμοποιείτε εγκεκριμένη διάταξη δοκιμής μπουζί.
- Μην κάνετε έλεγχο για σπινθήρα έχοντας αφαιρέσει το μπουζί.

Σέρβις Συστήματος ελέγχου εκπομπών

Τη συντήρηση, αντικατάσταση και επισκευή των συσκευών και συστημάτων ελέγχου εκπομπών κινητήρων που χρησιμοποιούνται εκτός δρόμου μπορούν να αναλαμβάνουν ιδιώτες ή εταιρείες επισκευής. Ωστόσο, τη συντήρηση του συστήματος ελέγχου εκπομπών καυσαερίων "χωρίς επιβάρυνση" πρέπει να αναλαμβάνει εξουσιοδοτημένος αντιπρόσωπος του κατασκευαστή. Δείτε τις Δηλώσεις για τον Έλεγχο εκπομπών.

Πρόγραμμα Συντήρησης

Κάθε 8 ώρες ή κάθε μέρα
<ul style="list-style-type: none">Έλεγχος στάθμης λαδιού κινητήραΚαθαρισμός της περιοχής γύρω από τον σιγαστήρα εξάτμισης και τα χειριστήρια
Κάθε 100 ώρες ή ετησίως
<ul style="list-style-type: none">Αντικατάσταση μπουζίΑλλαγή λαδιού κινητήραΑντικατάσταση φίλτρου λαδιού (εφόσον υπάρχει)Συντήρηση του φίλτρου αέρα ¹Καθαρισμός του προφίλτρου (εάν υπάρχει) ¹Έλεγχος συστήματος εξάτμισης
Κάθε 250 ώρες
<ul style="list-style-type: none">Έλεγχος διάκενου βαλβίδας. Προβείτε σε ρυθμίσεις εάν είναι απαραίτητο.
Κάθε 400 ώρες ή ετησίως
<ul style="list-style-type: none">Αντικατάσταση φίλτρου αέραΑντικατάσταση φίλτρου καυσίμουΈλεγχος συστήματος ψύξης ¹Καθαρισμός των πτερυγίων του ψύκτη λαδιού ¹

¹ Υπό συνθήκες σκόνης ή όταν υπάρχουν αερόφερα υπολείμματα, να καθαρίζετε πιο συχνά.

Καρμπιρατέρ και ταχύτητα κινητήρα

Μην ρυθμίσετε ποτέ το καρμπιρατέρ και την ταχύτητα του κινητήρα. Το καρμπιρατέρ έχει ρυθμιστεί εργοστασιακά ώστε να λειτουργεί αποτελεσματικά υπό τις περισσότερες συνθήκες. Εάν δεν είστε βέβαιοι για τη μέγιστη ταχύτητα του εξοπλισμού ή τη ρυθμισμένη από το εργοστάσιο ταχύτητα του κινητήρα, απευθυνθείτε για βοήθεια σε εξουσιοδοτημένο αντιπρόσωπο σέρβις της Briggs & Stratton.

ΕΠΙΣΗΜΑΝΣΗ Η μέγιστη ταχύτητα του κινητήρα καθορίζεται από τον κατασκευαστή κατά την τοποθέτησή του κινητήρα στον εξοπλισμό. **Μην υπερβείτε** αυτή την ταχύτητα. Εάν δεν είστε βέβαιοι για τη μέγιστη ταχύτητα του εξοπλισμού ή τη ρυθμισμένη από το εργοστάσιο ταχύτητα του κινητήρα, απευθυνθείτε για βοήθεια σε εξουσιοδοτημένο αντιπρόσωπο σέρβις της Briggs & Stratton. Για την ασφαλή και ορθή λειτουργία του εξοπλισμού, η ταχύτητα του κινητήρα πρέπει να ρυθμίζεται αποκλειστικά από εξειδικευμένο τεχνικό συντήρησης.

Σέρβις του μπουζί

Βλέπε Εικόνα: 6

Ελέγξτε το διάκενο (Α, Εικόνα 6) με διακονόμετρο (Β). Εάν χρειάζεται, ρυθμίστε εκ νέου το διάκενο. Τοποθετήστε και σφίξτε το μπουζί σύμφωνα με τη συνιστώμενη ροπή σύσφιξης. Σχετικά με τη ρύθμιση του διακένου ή της ροπής σύσφιξης, ανατρέξτε στην ενότητα **Προδιαγραφές**.

Σημείωση: Σε ορισμένες περιπτώσεις, η τοπική νομοθεσία απαιτεί τη χρήση μπουζί με αντίσταση για να καταστέλλονται τα κύματα ανάφλεξης. Αν ο κινητήρας σας είχε αρχικά μπουζί με αντίσταση, πρέπει να χρησιμοποιήσετε τον ίδιο τύπο στις επόμενες αντικαταστάσεις.

Σέρβις Συστήματος εξάτμισης



ΠΡΟΕΙΔΟΠΟΙΗΣΗ

Η λειτουργία των κινητήρων παράγει θερμότητα. Τα εξαρτήματα του κινητήρα, και ιδιαίτερα ο σιγαστήρας, αποκτούν εξαιρετικά υψηλές θερμοκρασίες.

Τυχόν επαφή μπορεί να προκαλέσει σοβαρά εγκαύματα.

Υπολείμματα καύσιμων υλών, όπως φύλλα, γρασίδι, φύλλα θάμνων, κλπ. μπορούν να πιάσουν φωτιά.

- Μην αγγίζετε το σιγαστήρα, τον κύλινδρο του κινητήρα και τα πτερύγια όσο είναι ακόμη θερμά.
- Απομακρύνετε τα συσσωρευμένα υπολείμματα από την περιοχή του σιγαστήρα και του κυλίνδρου.
- Η χρήση ή η λειτουργία του κινητήρα σε δασώδη, χλωώδη ή θαμνώδη περιοχή συνιστά παράβαση του Τμήματος 4442 του Κώδικα περί Φυσικών Πόρων της Καλιφόρνιας, εκτός εάν το σύστημα εξάτμισης διαθέτει σήτα απορρόφησης σπινθήρων που διατηρείται σε καλή λειτουργική κατάσταση, όπως ορίζεται στο Τμήμα 4442. Παρόμοιες νομοθεσίες μπορεί να ισχύουν και σε άλλες πολιτειακές ή ομοσπονδιακές δικαιοδοσίες. Για σήτα απορρόφησης σπινθήρων σχεδιασμένη για το σύστημα εξάτμισης που είναι εγκατεστημένο στον παρόντα κινητήρα, επικοινωνήστε με τον κατασκευαστή, το κατάστημα πώλησης ή τον αντιπρόσωπο του αρχικού εξοπλισμού.

Απομακρύνετε τα συσσωρευμένα υπολείμματα από την περιοχή του σιγαστήρα εξάτμισης και του κυλίνδρου. Ελέγξτε το σιγαστήρα για ρωγμές, διάβρωση ή άλλες ζημιές. Αφαιρέστε τη σήτα απορρόφησης σπινθήρων, εφόσον υπάρχει, και ελέγξτε για ζημιές ή απόφραξη από άνθρακα. Εάν διαπιστώσετε φθορές, αντικαταστήστε τα εξαρτήματα πριν από τη χρήση.



ΠΡΟΕΙΔΟΠΟΙΗΣΗ

Τα ανταλλακτικά πρέπει να είναι ίδιου σχεδιασμού και να εγκαθίστανται στην ίδια θέση με τα γνήσια εξαρτήματα. Εάν τα εξαρτήματα διαφέρουν, ενδέχεται να μην αποδώσουν εξίσου καλά, να προκαλέσουν βλάβες στη μονάδα, ακόμη και τραυματισμό.

Αλλαγή λαδιού κινητήρα

Βλ. Εικόνα: 7, 8, 9

Το χρησιμοποιημένο λάδι είναι επικίνδυνο απόβλητο και πρέπει να απορρίπτεται ως αρμόζει. Μην το απορρίπτετε στον κάδο οικιακών απορριμμάτων. Για ασφαλείς εγκαταστάσεις απόρριψης/ανακύκλωσης, επικοινωνήστε με τις τοπικές αρχές, το κέντρο συντήρησης ή τον τοπικό αντιπρόσωπο.

Αδειασμα λαδιού

- Με τον κινητήρα εκτός λειτουργίας και ενώ είναι ακόμη ζεστός, αποσυνδέστε το (τα) καλώδιο(-α) του (των) μπουζί (D, Εικόνα 7) και κρατήστε το (τα) μακριά από το (τα) μπουζί (Ε).
- Αφαιρέστε το δείκτη στάθμης (Α, Εικόνα 8).
- Αφαιρέστε το πώμα αποστράγγισης λαδιού (F, Εικόνα 9). Αδειάστε το λάδι σε εγκεκριμένο δοχείο.
- Μετά την αποστράγγιση του λαδιού, τοποθετήστε και σφίξτε το πώμα αποστράγγισης λαδιού (F, Εικόνα 9).

Αλλαγή φίλτρου λαδιού, εφόσον υπάρχει

Ορισμένα μοντέλα είναι εξοπλισμένα με φίλτρο λαδιού. Για τα προβλεπόμενα χρονικά διαστήματα αλλαγής, ανατρέξτε στο **Διάγραμμα Συντήρησης**.

- Αδειάστε το λάδι από τον κινητήρα. Ανατρέξτε στην ενότητα **Αδειασμα λαδιού**.
- Αφαιρέστε το φίλτρο λαδιού (G, Εικόνα 9) και απορρίψτε το ως αρμόζει.
- Προτού εγκαταστήσετε το νέο φίλτρο λαδιού, λιπαίνετε ελαφρά το παρέμβυσμα του φίλτρου λαδιού με φρέσκο, καθαρό λάδι.
- Τοποθετήστε με το χέρι το φίλτρο λαδιού έτσι ώστε το παρέμβυσμα έρθει σε επαφή με τον εφαρμογέα του φίλτρου και, στη συνέχεια, σφίξτε το φίλτρο περιστρέφοντάς το κατά 1/2 έως 3/4 της στροφής.
- Προσθέστε λάδι. Ανατρέξτε στην ενότητα **Προσθήκη λαδιού**.
- Εκκινήστε και διατηρήστε σε λειτουργία τον κινητήρα. Καθώς θερμαίνεται ο κινητήρας, ελέγξτε για τυχόν διαροή λαδιού.
- Διακόψτε τη λειτουργία του κινητήρα και ελέγξτε τη στάθμη του λαδιού. Η σωστή στάθμη λαδιού είναι το πάνω σημείο της ένδειξης πλήρους στάθμης (B, Εικόνα 8) που απεικονίζεται στον δείκτη στάθμης.

Προσθήκη λαδιού

- Βεβαιωθείτε ότι ο κινητήρας βρίσκεται σε οριζόντια θέση.
 - Καθαρίστε την περιοχή γύρω από το πώμα πλήρωσης λαδιού από τυχόν υπολείμματα.
 - Ανατρέξτε στην ενότητα **Προδιαγραφές** για να δείτε τη χωρητικότητα λαδιού.
1. Αφαιρέστε τον δείκτη στάθμης λαδιού (Α, Εικόνα 8) και σκουπίστε τον με ένα καθαρό πανί.
 2. Προσθέστε αργά λάδι μέσα από την οπή πλήρωσης λαδιού (C, Εικόνα 8). **Μην γεμίζετε υπερβολικά.** Μετά την προσθήκη του λαδιού, περιμένετε ένα λεπτό και εν συνεχεία ελέγξτε τη στάθμη του λαδιού.
 3. Τοποθετήστε και σφίξτε τον δείκτη στάθμης (Α, Εικόνα 8).
 4. Αφαιρέστε τον δείκτη στάθμης λαδιού και ελέγξτε τη στάθμη του λαδιού. Η σωστή στάθμη λαδιού είναι το πάνω σημείο της ένδειξης πλήρους στάθμης (B, Εικόνα 8) που απεικονίζεται στον δείκτη στάθμης.
 5. Επανατοποθετήστε και σφίξτε τον δείκτη στάθμης (Α, Εικόνα 8).
 6. Συνδέστε το(α) καλώδιο(α) του μπουζί (D, Εικόνα 7) στο(α) μπουζί (E).

Έλεγχος του φίλτρου αέρα

Βλ. Εικόνα: 10



ΠΡΟΕΙΔΟΠΟΙΗΣΗ

Το καύσιμο και οι αναθυμιάσεις του συνιστούν εξαιρετικά εύφλεκτες και εκρηκτικές ουσίες.

Ενδεχόμενη φωτιά ή έκρηξη μπορούν να προκαλέσουν σοβαρά εγκαύματα ή θάνατο.

- Μην θέτετε ποτέ και μην διατηρείτε σε λειτουργία τον κινητήρα όταν έχει αφαιρεθεί το συγκρότημα του φίλτρου αέρα (εφόσον υπάρχει) ή το ίδιο το φίλτρο αέρα (εφόσον υπάρχει).

ΕΠΙΣΗΜΑΝΣΗ Μην χρησιμοποιείτε πεπιεσμένο αέρα ή διαλύτες για να καθαρίσετε το φίλτρο. Ο πεπιεσμένος αέρας μπορεί να προκαλέσει βλάβη στο φίλτρο, ενώ οι διαλύτες θα το διαλύσουν.

Για τις απαιτήσεις συντήρησης ανατρέξτε στο **Πρόγραμμα Συντήρησης**.

Το σύστημα φίλτρου αέρα χρησιμοποιεί χάρτινο φίλτρο με προστατικό προφίλτρο. Το προφίλτρο μπορεί να πλένεται και να χρησιμοποιείται εκ νέου.

1. Αφαιρέστε τον(ους) συνδετήρα(ες) (Α, Εικόνα 10).
2. Αφαιρέστε το κάλυμμα (B, Εικόνα 10).
3. Αφαιρέστε τον(τους) συνδετήρα(ες) (C, Εικόνα 10) και το στοιχείο συγκράτησης (D).
4. Αφαιρέστε το φίλτρο αέρα (E, Εικόνα 10).
5. Αφαιρέστε το προφίλτρο (F, Εικόνα 10), εφόσον υπάρχει, από το φίλτρο αέρα (E).
6. Για να απομακρύνετε τα υπολείμματα, χτυπήστε ελαφρά το φίλτρο αέρα (E, Εικόνα 10) σε σκληρή επιφάνεια. Εάν το φίλτρο αέρα είναι πολύ βρόμικο, αντικαταστήστε το με ένα καινούργιο.
7. Πλύνετε το προφίλτρο (F, Εικόνα 10), εφόσον υπάρχει, με υγρό απορρυπαντικό και νερό. Αφήστε το προφίλτρο να στεγνώσει καλά στον αέρα. **Μην** λιπαίνετε το προφίλτρο.
8. Συναρμολογήστε το στεγνό προφίλτρο (F, Εικόνα 10), εφόσον υπάρχει, στο φίλτρο αέρα (E).
9. Τοποθετήστε το φίλτρο αέρα (E, Εικόνα 10) και ασφαλίστε με το στοιχείο συγκράτησης (D) και τον(τους) συνδετήρα(ες) (C).
10. Τοποθετήστε το κάλυμμα (B, Εικόνα 10) και ασφαλίστε με τον(ους) συνδετήρα(ες) (Α). Βεβαιωθείτε ότι ο(οι) συνδετήρες είναι σφικτός(οι).

Συντήρηση συστήματος καυσίμου

Βλ. εικόνα: 11



ΠΡΟΕΙΔΟΠΟΙΗΣΗ

Το καύσιμο και οι αναθυμιάσεις του αποτελούν εξαιρετικά εύφλεκτες και εκρηκτικές ουσίες.

Σε περίπτωση πυρκαγιάς ή έκρηξης υπάρχει κίνδυνος πρόκλησης σοβαρών εγκαυμάτων ή ακόμη και θανάτου.

- Το καύσιμο πρέπει να παραμένει μακριά από σπινθήρες, ανοιχτές φλόγες, φλόγες εναύσματος, πηγές θερμότητας και άλλες πηγές ανάφλεξης.
- Φροντίστε να ελέγχετε συχνά μήπως οι γραμμές, η δεξαμενή, η τάπα και οι σύνδεσμοι των σωληνών του καυσίμου παρουσιάζουν ρωγμές ή διαρροή. Αν χρειαστεί, αντικαταστήστε όποιο εξάρτημα παρουσιάζει πρόβλημα.
- Πριν καθαρίσετε ή αντικαταστήσετε το φίλτρο καυσίμου, αδειάστε το ντεπόζιτο καυσίμου ή κλείστε τη βαλβίδα παροχής καυσίμου.
- Αν χυθεί καύσιμο, περιμένετε να εξατμιστεί πριν θέσετε σε λειτουργία τον κινητήρα.
- Τα ανταλλακτικά πρέπει να είναι ίδια και να τοποθετούνται στην ίδια θέση με τα αυθεντικά εξάρτηματα.

Φίλτρο Καυσίμου, εάν υπάρχει

1. Πριν αντικαταστήσετε το φίλτρο καυσίμου (Α, Εικόνα 11), εάν υπάρχει, αποστραγγίστε το ντεπόζιτο ή κλείστε τη βαλβίδα παροχής καυσίμου. Σε διαφορετική περίπτωση, μπορεί να υπάρξει διαρροή καυσίμου και πρόκληση φωτιάς ή έκρηξης.
2. Με μία πένσα ωθήστε τις ωτίδες (B, Εικόνα 11) στους σφικτήρες (C) και εν συνεχεία απομακρύνετε γλιστρώντας τους σφικτήρες από το φίλτρο καυσίμου (Α). Συστρέψτε και απομακρύνετε τις σωληνώσεις καυσίμου (D) από το φίλτρο καυσίμου.
3. Ελέγξτε τις σωληνώσεις καυσίμου (D, Εικόνα 11) για ρωγμές ή διαρροές. Αν χρειαστεί, αντικαταστήστε όποιο εξάρτημα παρουσιάζει πρόβλημα.
4. Αντικαταστήστε το φίλτρο καυσίμου (Α, Εικόνα 11) με ένα γνήσιο φίλτρο αντικατάστασης εξοπλισμού.
5. Ασφαλίστε τις σωληνώσεις καυσίμου (D, Εικόνα 11) με σφικτήρες (C) όπως φαίνεται.

Σέρβις Συστήματος ψύξης



ΠΡΟΕΙΔΟΠΟΙΗΣΗ

Η λειτουργία των κινητήρων παράγει θερμότητα. Τα εξάρτηματα του κινητήρα, και ιδιαίτερα ο σιγαστήρας, αποκτούν εξαιρετικά υψηλές θερμοκρασίες.

Τυχόν επαφή μπορεί να προκαλέσει σοβαρά εγκαύματα.

Υπολείμματα καύσιμων υλών, όπως φύλλα, γρασιδί, φύλλα θάμνων, κλπ. μπορούν να πιάσουν φωτιά.

- Μην αγγίζετε το σιγαστήρα, τον κύλινδρο του κινητήρα και τα πτερύγια όσο είναι ακόμη θερμά.
- Απομακρύνετε τα συσσωρευμένα υπολείμματα από την περιοχή του σιγαστήρα και του κυλίνδρου.

ΕΠΙΣΗΜΑΝΣΗ Μην χρησιμοποιείτε νερό για να καθαρίσετε τον κινητήρα. Υπάρχει κίνδυνος το νερό να μολύνει το σύστημα τροφοδοσίας καυσίμου. Χρησιμοποιείτε βούρτσα ή στεγνό πανί για να καθαρίσετε τον κινητήρα.

Ο κινητήρας αυτός είναι αερόψυκτος. Οι σκόνες και τα διάφορα υπολείμματα μπορούν να περιορίσουν την παροχή αέρα και να προκαλέσουν υπερθέρμανση του κινητήρα, με αποτέλεσμα τη χαμηλή απόδοση και τη μείωση της διάρκειας ζωής του.

1. Χρησιμοποιήστε βούρτσα ή στεγνό πανί για να αφαιρέσετε τα υπολείμματα από την περιοχή αναρρόφησης αέρα.
2. Διατηρείτε τους συνδέσμους, τα ελατήρια και τους διακόπτες καθαρά
3. Φροντίστε η περιοχή γύρω και πίσω από το σιγαστήρα, αν υπάρχει, να διατηρείται καθαρή από εύφλεκτα υπολείμματα.
4. Βεβαιωθείτε ότι δεν υπάρχουν ακαθαρσίες και υπολείμματα στα πτερύγια του ψύκτη λαδιού, εφόσον υπάρχουν.

Μετά από κάποιο χρονικό διάστημα, υπάρχει περίπτωση να συσσωρευτούν διάφορα υπολείμματα στα πτερύγια ψύξης του κυλίνδρου και να προκαλέσουν υπερθέρμανση του κινητήρα. Τα υπολείμματα αυτά δεν μπορούν να αφαιρεθούν χωρίς μερική αποσυναρμολόγηση του κινητήρα. Αναθέτετε τον έλεγχο και τον καθαρισμό του αερόψυκτου συστήματος σε εξουσιοδοτημένο αντιπρόσωπο της Briggs & Stratton, όπως συνιστάται στο **Διάγραμμα Συντήρησης**.

Αποθήκευση



ΠΡΟΕΙΔΟΠΟΙΗΣΗ

Το καύσιμο και οι αναθυμιάσεις του αποτελούν εξαιρετικά εύφλεκτες και εκρηκτικές ουσίες.

Σε περίπτωση πυρκαγιάς ή έκρηξης υπάρχει κίνδυνος πρόκλησης σοβαρών εγκαυμάτων ή ακόμη και θανάτου.

Για την αποθήκευση καυσίμου ή εξοπλισμού με καύσιμο στο ντεπόζιτο

- Αποθηκεύετε μακριά από φούρνους, θερμάστρες, θερμαντήρες νερού ή άλλες συσκευές που χρησιμοποιούν πιλοτική φλόγα ή άλλες πηγές ανάφλεξης, επειδή μπορούν να προκαλέσουν ανάφλεξη των αναθυμιάσεων καυσίμου.

Σύστημα καυσίμου

Βλ. εικόνα: 12

Αποθηκεύστε τον κινητήρα σε οριζόντια θέση (κανονική θέση λειτουργίας). Γεμίστε το ντεπόζιτο καυσίμου (Α, Εικόνα 12) με καύσιμο. Για να υπάρχει αρκετός χώρος όταν διασταλεί το καύσιμο, μην γεμίζετε το ντεπόζιτο καυσίμου επάνω από το στόμιό του (Β).

Το καύσιμο ενδέχεται να ξεθυμάνει αν μείνει αποθηκευμένο για περισσότερες από 30 μέρες. Όταν ξεθυμάνει το καύσιμο, εναποτίθενται οξέα και ρητίνες στο σύστημα καυσίμου ή σε νευραλικά εξαρτήματα του καρμπυρατέρ. Για να διατηρείται το καύσιμο σε καλή κατάσταση, χρησιμοποιείτε το **προηγμένης σύνθεσης βελτιωτικό και σταθεροποιητικό καυσίμων της Briggs & Stratton**, που διατίθεται οπουδήποτε πωλούνται γνήσια ανταλλακτικά της Briggs & Stratton.

Αν προσθέσετε σταθεροποιητή καυσίμου σύμφωνα με τις οδηγίες, δεν χρειάζεται αποστράγγιση της βενζίνης από τον κινητήρα. Πρωτό αποθηκεύετε τον κινητήρα, αφήστε τον να λειτουργήσει επί δύο (2) λεπτά για να κυκλοφορήσει ο σταθεροποιητής σε όλο το σύστημα καυσίμου.

Αν δεν προσθέσετε σταθεροποιητή καυσίμου στη βενζίνη που περιέχει ο κινητήρας, πρέπει να την αποστραγγίσετε σε εγκεκριμένο δοχείο. Αφήστε τον κινητήρα σε λειτουργία ωστόσο σταματήσει λόγω εξάντλησης του καυσίμου. Συνιστάται η χρήση σταθεροποιητή καυσίμου στο δοχείο αποθήκευσης για να διατηρείται φρέσκο το καύσιμο.

Λάδι κινητήρα

Αλλάζετε το λάδι του κινητήρα όταν ο κινητήρας είναι ακόμη ζεστός. Δείτε την ενότητα **Αλλαγή λαδιού κινητήρα**.

Ανίχνευση Βλαβών

Για βοήθεια, απευθυνθείτε στον τοπικό σας αντιπρόσωπο ή επισκεφθείτε την ηλεκτρονική διεύθυνση **VanguardEngines.com** ή καλέστε στον αριθμό **1-800-999-9333** (στις ΗΠΑ).

Προδιαγραφές

Μοντέλο: 611400, 613400, 61E400, 61G400	
Κυβισμός	60.60 ci (993 cc)
Εσωτερική διάμετρος	3.366 in (85,5 mm)
Διαδρομή εμβόλου	3.406 in (86,5 mm)
Χωρητικότητα λαδιού	78 - 80 oz (2,3 - 2,4 L)
Διάκενο μπουζι	.030 in (.76 mm)
Ροπή σύσφιξης μπουζι	180 lb-in (20 Nm)
Διάκενο μεταξύ επαγωγίμου και επαγωγέως - Μοντέλα με καρμπυρατέρ	.005 - .008 in (.13 - .20 mm)
Διάκενο βαλβίδας εισαγωγής	.004 - .006 in (.10 - .15 mm)
Διάκενο βαλβίδας εξαγωγής	.007 - .009 in (.18 - .23 mm)

Η ισχύς του κινητήρα μειώνεται κατά 3,5% ανά 300 μέτρα επάνω από το επίπεδο της θάλασσας και κατά 1% ανά 5,6 °C επάνω από τους 25 °C. Ο κινητήρας λειτουργεί ικανοποιητικά σε γωνία έως 15°. Για τα επιτρεπόμενα όρια ασφαλούς λειτουργίας σε επικλινές έδαφος, ανατρέξτε στο εγχειρίδιο χρήσης του εξοπλισμού.

Ανταλλακτικά - Μοντέλο: 611400, 613400, 61E400, 61G400	
Ανταλλακτικό	Αριθμός ανταλλακτικού
Χάρτινο φίλτρο αέρα (Εικόνα 10)	692519
Προφίλτρο (Εικόνα 10)	692520
Λάδι - SAE 30	100028
Φίλτρο λαδιού	842921
Βελτιωτικό και σταθεροποιητικό καυσίμου προηγμένης σύνθεσης	100117, 100120
Φίλτρο καυσίμου	845125
Μπουζι με ανπίσταση	491055
Μπουζι από πλατίνα μεγάλης διάρκειας	5066
Μπουζοκλειδο	19374

Ανταλλακτικά - Μοντέλο: 611400, 613400, 61E400, 61G400

Δοκιμαστής σπινθήρων

19368

Για κάθε εργασία συντήρησης και σέρβις του κινητήρα και των εξαρτημάτων του σας συνιστούμε να επισκέπτεστε εξουσιοδοτημένο αντιπρόσωπο της Briggs & Stratton.

Ονομαστικές τιμές ισχύος: Η ονομαστική τιμή της ολικής ισχύος για μεμονωμένα μοντέλα βενζινοκινητήρων επισημαίνεται σύμφωνα με τον κώδικα J1940 για τη Διαδικασία καθορισμού της ονομαστικής ισχύος και ροπής στρέψης μικρών κινητήρων της SAE (Ενωση μηχανικών οχημάτων) και έχει υπολογιστεί σύμφωνα με τον κώδικα J1995 της SAE. Οι τιμές της ροπής στρέψης προκύπτουν στις 2.600 σ.α.λ. για τους κινητήρες όπου αναγράφονται οι "σ.α.λ." στην ετικέτα και στις 3.060 σ.α.λ. για όλους τους υπόλοιπους. Οι τιμές ιπποδύναμης προκύπτουν στις 3.600 σ.α.λ. Μπορείτε να δείτε τις καμπύλες ολικής ισχύος στη διεύθυνση www.BRIGGSandSTRATTON.COM. Οι τιμές ωφέλιμης ισχύος μετρούνται με τοποθετημένη εξάτμιση και φίλτρο αέρα, ενώ οι τιμές ολικής ισχύος λαμβάνονται χωρίς αυτά τα προσαρτήματα. Η πραγματική ολική ισχύς του κινητήρα θα είναι υψηλότερη από την ωφέλιμη ισχύ και επηρεάζεται, μεταξύ άλλων παραγόντων, από τις περιβαλλοντικές συνθήκες λειτουργίας και από τις διαφορές μεταξύ των κινητήρων. Δεδομένης της ευρείας γκάμας των προϊόντων στα οποία τοποθετούνται οι κινητήρες, ο βενζινοκινητήρας ενδέχεται να μην αναπτύσσει την ονομαστική ολική ισχύ όταν χρησιμοποιείται σε συγκεκριμένο εξοπλισμό. Η διαφορά αυτή οφείλεται σε μία ποικιλία παραγόντων που περιλαμβάνει, ενδεικτικά, τα διάφορα στοιχεία του κινητήρα (φίλτρο αέρα, εξάτμιση, τροφοδότηση, ψύξη, καρμπυρατέρ, αντλία καυσίμου, κλπ.), τους περιορισμούς εφαρμογής, τις περιβαλλοντικές συνθήκες λειτουργίας (θερμοκρασία, υγρασία, υψόμετρο) και τις διαφορές μεταξύ των κινητήρων. Λόγω περιορισμών στην παραγωγή και στις δυνατότητες, η Briggs & Stratton μπορεί να χρησιμοποιήσει κινητήρα υψηλότερης ονομαστικής ισχύος αντί για τον συγκεκριμένο κινητήρα.

Εγγύηση

Εγγύηση κινητήρων της Briggs & Stratton

Ισχύει από Ιανουάριο 2017

Περιορισμένη εγγύηση

Η Briggs & Stratton εγγυάται ότι, κατά τη διάρκεια της περιόδου εγγύησης που καθορίζεται παρακάτω, θα επισκευάσει ή θα αντικαταστήσει χωρίς καμία χρέωση κάθε εξάρτημα που θα διαπιστωθεί ότι είναι ελαττωματικό λόγω υλικών ή κακοτεχνίας ή και για τους δύο αυτούς λόγους. Τα έξοδα μεταφοράς για τα προϊόντα που αποστέλλονται για επισκευή ή αντικατάσταση στο πλαίσιο της παρούσας εγγύησης επιβαρύνουν τον αγοραστή. Η παρούσα εγγύηση ισχύει για τα χρονικά διαστήματα και υπό τους όρους που αναφέρονται παρακάτω. Για παροχή υπηρεσιών στο πλαίσιο της εγγύησης, εντοπίστε τον πλησιέστερο εξουσιοδοτημένο αντιπρόσωπο σέρβις στον χάρτη εντοπισμού των αντιπροσώπων μας στην ιστοσελίδα BRIGGSandSTRATTON.COM. Ο αγοραστής πρέπει να επικοινωνήσει με τον εξουσιοδοτημένο αντιπρόσωπο σέρβις και, στη συνέχεια, να τον παρουσιάσει το προϊόν για έλεγχο και δοκιμή.

Δεν υπάρχει άλλη ρητή εγγύηση. Οι έμμεσες εγγυήσεις, συμπεριλαμβανομένων και των εγγυήσεων εμπορευσιμότητας και καταλληλότητας για συγκεκριμένο σκοπό περιορίζονται στην περίοδο της εγγύησης που αναφέρεται παρακάτω στον βαθμό που επιτρέπεται από τον νόμο. Οι ευθύνες για ακούσια ή αποθετική ζημία εξαιρούνται στον βαθμό που επιτρέπεται από την ισχύουσα νομοθεσία. Ορισμένες πολιτείες ή χώρες δεν επιτρέπουν περιορισμούς όσον αφορά τη διάρκεια των σιωπηρών εγγυήσεων και ορισμένες πολιτείες ή χώρες δεν επιτρέπουν την εξαιρέση ή τον περιορισμό της ακούσιας ή αποθετικής ζημίας και, συνεπώς, ο περιορισμός και η εξαιρέση που προαναφέρονται μπορεί να μην ισχύουν για εσάς. Αυτή η εγγύηση σας παρέχει ειδικά νομικά δικαιώματα και, ενδεχομένως, και άλλα δικαιώματα που διαφέρουν από πολιτεία σε πολιτεία και από χώρα σε χώρα¹.

Βασικοί Όροι Εγγύησης 1, 2, 3

Μάρκα / Τύπος προϊόντος	Καναλιωτική χρήση	Επαγγελματική χρήση
Vanguard™, Επαγγελματική σειρά	36 μήνες	36 μήνες
Κινητήρες που διαθέτουν χιτώνια από χυτοσίδηρο Dura-Bore™	24 μήνες	12 μήνες
Όλοι οι λοιποί κινητήρες	24 μήνες	3 μήνες

¹ Αυτοί είναι οι βασικοί όροι εγγύησης που παρέχει η εταιρεία μας αλλά, κατά περίπτωση, μπορεί να υπάρχουν πρόσθετες καλύψεις οι οποίες δεν προσδιορίζονται κατά τη δημοσίευση της εγγύησης. Για τους όρους εγγύησης που ισχύουν για τον κινητήρα σας, ανατρέξτε στην ιστοσελίδα BRIGGSandSTRATTON.COM ή επικοινωνήστε με τον τοπικό εξουσιοδοτημένο αντιπρόσωπο σέρβις της Briggs & Stratton.

² Δεν υπάρχει εγγύηση για κινητήρες σε εξοπλισμό που χρησιμοποιείται για κύρια παροχή ρεύματος στη θέση ρεύματος από οργανισμό κοινής ωφέλειας ή για γεννήτριες σε αναμονή που χρησιμοποιούνται για επαγγελματικούς σκοπούς. Οι κινητήρες που χρησιμοποιούνται σε αγώνες ή σε επαγγελματικής χρήσης ή ενοικιαζόμενα αυτοκίνητα, δεν καλύπτονται από την εγγύηση.

³ Κινητήρας Vanguard εγκατεστημένος σε γεννήτριες αναμονής: 24 μήνες εγγύηση για χρήση από ιδιώτη, χωρίς εγγύηση για επαγγελματική χρήση. Κινητήρας Vanguard εγκατεστημένος σε οχήματα γενικής χρήσης: 24 μήνες εγγύηση για χρήση από ιδιώτη,

24 μήνες εγγύηση για επαγγελματική χρήση. Για τις σειρές για επαγγελματική χρήση με ημερομηνία κατασκευής πριν τον Ιούλιο 2017, 24 μήνες εγγύηση για χρήση από ιδιώτη, 24 μήνες εγγύηση για επαγγελματική χρήση.

⁴ Στην Αυστραλία - Τα προϊόντα μας συνοδεύονται από εγγυήσεις που δεν επιτρέπουν εξαιρέσεις βάσει του Αυστραλιανού Νόμου περί του Καταναλωτή. Δικαιούστε αντικατάσταση ή επιστροφή χρημάτων σε περίπτωση σοβαρής βλάβης και αποζημίωση σε περίπτωση οποιασδήποτε άλλης ευλόγως προβλέψιμης απώλειας ή βλάβης. Δικαιούστε επίσης επισκευή ή αντικατάσταση των προϊόντων, εάν η ποιότητα των προϊόντων είναι μη αποδεκτή, ακόμα και εάν η βλάβη δεν είναι σοβαρή. Για παροχή υπηρεσιών εντός εγγύησης, εντοπίστε τον πλησιέστερο εξουσιοδοτημένο αντιπρόσωπο σέρβις στον χάρτη εντοπισμού των αντιπροσώπων μας στην ιστοσελίδα BRIGGSandSTRATTON.COM ή καλέστε στο 1300 274 447 ή στείλτε μας e-mail στη διεύθυνση salesenquires@briggsandstratton.com.au, ή στείλτε μας επιστολή στη διεύθυνση Briggs & Stratton Australia Pty Ltd, 1 Moorebank Avenue, NSW, Australia, 2170.

Η περίοδος εγγύησης αρχίζει από την αρχική ημερομηνία αγοράς από τον πρώτο πελάτη λιανικής πώλησης ή επαγγελματία καταναλωτή. «Καταναλωτική χρήση» σημαίνει προσωπική, κατ' οίκον χρήση από καταναλωτή προϊόντων λιανεμπορίου. Ο όρος «επαγγελματική χρήση» καλύπτει κάθε άλλη χρήση, συμπεριλαμβανομένης της χρήσης για σκοπούς εμπορίας, παραγωγής εισοδήματος ή ενοικίασης. Εφόσον ένας κινητήρας έχει χρησιμοποιηθεί για επαγγελματικούς σκοπούς, στο πλαίσιο της παρούσας εγγύησης, θα θεωρείται ως κινητήρας επαγγελματικής χρήσης.

Φυλάξτε την απόδειξη αγοράς. Εάν δεν προσκομίσετε αποδεικτικό της αρχικής αγοράς τη στιγμή της αίτησης για επισκευή βάσει της εγγύησης, ο προσδιορισμός της περιόδου εγγύησης θα βασιστεί στην ημερομηνία κατασκευής του προϊόντος. Η δήλωση του προϊόντος δεν είναι απαραίτητη για να δικαιούστε υπηρεσίες εγγύησης για τα προϊόντα της Briggs & Stratton.

Σχετικά με την εγγύησή σας

Αυτή η περιορισμένη εγγύηση καλύπτει ελαττωματικό υλικό ή/και εργασία σε σχέση με τον κινητήρα μόνο και όχι αντικατάσταση ή επιστροφή χρημάτων για το μηχάνημα πάνω στο οποίο ενδέχεται να είναι τοποθετημένος ο κινητήρας. Η τακτική συντήρηση, τα σέρβις, οι ρυθμίσεις και η κανονική φθορά δεν καλύπτονται από αυτή την εγγύηση. Παρομοίως, η εγγύηση δεν έχει εφαρμογή αν έχουν γίνει αλλαγές ή τροποποιήσεις στον κινητήρα ή αν έχει καταστεί δυσανάγνωστος ή έχει αφαιρεθεί ο αριθμός σειράς του κινητήρα. Αυτή η εγγύηση δεν καλύπτει ζημιές ή προβλήματα απόδοσης του κινητήρα που προκλήθηκαν από:

1. Τη χρήση ανταλλακτικών που δεν είναι γνήσια ανταλλακτικά Briggs & Stratton.
2. Τη λειτουργία του κινητήρα με ανεπαρκές, μολυσμένο ή λανθασμένου τύπου λάδι λίπανσης.
3. Τη χρήση μολυσμένου ή παλιού καυσίμου, βενζίνης που περιέχει περισσότερο από 10% αιθανόλη ή τη χρήση εναλλακτικών καυσίμων όπως υγροποιημένου αερίου πετρελαίου ή φυσικού αερίου σε κινητήρες που δεν έχουν αρχικά σχεδιαστεί/κατασκευαστεί από την Briggs & Stratton για να λειτουργούν με τέτοια καύσιμα.
4. Ακαθαρσίες που μπορεί να έχουν διεισδύσει στον κινητήρα λόγω ακατάλληλης συντήρησης ή επανατοποθέτησης του φίλτρου αέρα.
5. Χτύπημα αντικειμένου με την κοπτική λεπίδα περιστροφικής μηχανής κουρέματος γρασιδιού ή από ακατάλληλη τοποθέτηση προσαρμογών λεπίδας, φτερωτών ή άλλων διατάξεων που συνδέονται με το στροφαλοφόρο άξονα ή από υπερβολική σύσφιξη των τραπεζοειδών ιμάντων.
6. Σχετιζόμενα εξαρτήματα ή συγκροτήματα όπως συμπλέκτες, συστήματα γραναζιών μετάδοσης κίνησης, χειριστήρια εξοπλισμού κλπ, τα οποία δεν παρέχονται από την Briggs & Stratton.
7. Υπερθέρμανση λόγω υπολειμμάτων κοπής γρασιδιού, ακαθαρσιών και υπολειμμάτων ή λόγω φωλιών τρωκτικών που προκαλούν απόφραξη ή περιορισμό ροής στα περύγια ψύξης ή στην περιοχή σφονδύλου ή σε λειτουργία του κινητήρα χωρίς επαρκή αερισμό.
8. Υπερβολικούς κραδασμούς λόγω υπερβολικής ταχύτητας λειτουργίας, λασκαρισμένης βάσης κινητήρα, λασκαρισμένων ή εκτός ζυγοστάθμισης κοπτικών λεπίδων ή φτερωτών ή σε ακατάλληλη σύζευξη μερών του εξοπλισμού με το στροφαλοφόρο άξονα.
9. Κακή χρήση, έλλειψη τακτικής συντήρησης, αποστολή, χειρισμό ή αποθήκευση εξοπλισμού ή σε ακατάλληλη εγκατάσταση του κινητήρα.

Το σέρβις βάσει της εγγύησης είναι διαθέσιμο μόνο μέσω των εξουσιοδοτημένων αντιπροσώπων σέρβις της Briggs & Stratton. Βρείτε τον πλησιέστερο εξουσιοδοτημένο αντιπρόσωπο σέρβις στον χάρτη αναζήτησης των αντιπροσώπων στο BRIGGSandSTRATTON.COM ή καλώντας το 1-800-233-3723 (στις ΗΠΑ).

80004537 (Rev. C)

Este manual contiene información de seguridad para advertirle sobre los peligros y riesgos asociados con el cortacésped y cómo evitarlos. También incluye instrucciones para el uso y el cuidado correctos del motor. Dado que Briggs & Stratton Corporation no sabe exactamente con qué equipo se utilizará este motor, es importante que lea atentamente estas instrucciones y las instrucciones del equipo. **Conserve estas instrucciones para poder consultarlas en el futuro.**

Nota: Los dibujos e ilustraciones que se incluyen en este manual se ofrecen únicamente como referencia y pueden diferir de su modelo en concreto. Póngase en contacto con su distribuidor si tiene preguntas que formular.

Para repuestos o para recibir asistencia técnica, registre abajo los números de modelo de motor, tipo y código junto con la fecha de compra. Estos números se encuentran en su motor (consulte la sección **Características y Controles**).

Fecha de compra	
Modelo - Tipo - Código	
Número de serie de la unidad	

Busque el código de barras 2D localizado en algunos motores. Cuando se mira con un dispositivo de lectura 2D, el código mostrará nuestro sitio web, desde donde puede acceder a información de soporte para este producto. Se aplica la velocidad de transmisión de datos. Puede que algunos países no tengan disponible información de soporte en línea.



Símbolo	Significado	Símbolo	Significado
	Riesgo de incendio.		Riesgo de explosión
	Riesgo de descarga.		Riesgo de vapores tóxicos
	Riesgo de superficies calientes		Riesgo acústico - Recomendado el uso de protección acústica para un uso prolongado.
	Riesgo de piezas despedidas - Utilice protección ocular.		Riesgo de explosión
	Riesgo de congelación		Riesgo de contragolpe
	Riesgo de amputación - piezas en movimiento		Riesgo químico
	Riesgo de calor térmico		Corrosión

Información sobre reciclado



Todo el embalaje, el aceite usado y las baterías deberán reciclarse de acuerdo con la normativa estatal aplicable.

Seguridad del usuario

Símbolo de alerta de seguridad y palabras incluidas en señales

El símbolo de alerta de seguridad se utiliza para identificar información de seguridad relacionada con riesgos que puedan provocar una lesión personal. Se utiliza una palabra de señalización (PELIGRO, ADVERTENCIA o ATENCIÓN) junto con el símbolo de alerta para indicar la probabilidad y la posible gravedad de una lesión. Además, se puede utilizar un símbolo de peligro para representar el tipo de riesgo.

PELIGRO indica un peligro que, si no se evita, **resultará en muerte o lesión grave.**

ADVERTENCIA indica un peligro que, si no se evita, **podría resultar en muerte o lesión grave.**

ATENCIÓN indica un peligro que, si no se evita, **podría resultar en lesión menor o moderada.**

AVISO indica una situación que **podría provocar daños en el producto.**

Símbolos de peligro y significados

Símbolo	Significado	Símbolo	Significado
	Información de seguridad sobre peligros que pueden provocar lesiones personales.		Lea atentamente el Manual de instrucciones antes de operar la unidad o de realizar alguna operación de servicio.

Mensajes de seguridad



ADVERTENCIA

Ciertos componentes de este producto y de los accesorios relacionados contienen sustancias químicas que el estado de California ha declarado como cancerígenas, productoras de defectos de nacimiento u otros daños reproductivos. Lávese las manos después de manipular estos elementos.



ADVERTENCIA

El escape del motor de este producto contiene sustancias químicas que el estado de California sabe que causan cáncer, defectos de nacimiento u otros daños reproductivos.



ADVERTENCIA

Los motores Briggs & Stratton no han sido diseñados ni están destinados para su uso con karts para diversión/recreo, vehículos todoterreno para uso en eventos competitivos (ATVs); motocicletas; productos para aviación o vehículos para uso en eventos competitivos no autorizados por Briggs & Stratton. Para información sobre productos para eventos competitivos, consulte www.briggsracing.com. Para su uso con vehículos utilitarios y todoterreno side-by-side, póngase en contacto con Briggs & Stratton Engine Application Center, 1-866-927-3349. Un uso inadecuado del motor puede provocar daños graves o incluso la muerte.



ADVERTENCIA



El combustible y sus vapores son extremadamente inflamables y explosivos.

El fuego o las explosiones pueden causar quemaduras graves o incluso la muerte.

Quando eche combustible

- Apague el motor y deje que el motor se enfríe durante al menos 2 minutos antes de retirar la tapa de llenado de combustible.
- Llene el tanque de combustible al aire libre en un área bien ventilada.
- No llene demasiado el tanque de combustible. Para permitir que el combustible se expanda, no llene el depósito por encima de la parte inferior del cuello del tanque de combustible.

- Mantenga el combustible alejado de chispas, llamas abiertas, pilotos, calor y otras fuentes de ignición.
- Verifique las líneas de combustible, tanque, tapa y conectores a menudo, para constatar si presentan rajaduras o pérdidas. Cámbielos si es necesario.
- Si se derrama combustible, espere hasta que se evapore para arrancar el motor.

Al arrancar el motor

- Asegúrese de que la bujía, el silenciador, el depósito de combustible y el filtro de aire (si se proporcionan) están en su lugar y sujetos.
- No arranque con la manivela el motor con la bujía quitada.
- Si el motor se ahoga, ponga el estrangulador (si se proporciona) en la posición OPEN/RUN (ABIERTO/FUNCIONAMIENTO), mueva el acelerador (si se proporciona) a la posición FAST (RÁPIDO) y arranque con la manivela hasta que el motor arranque.

Cuando opere el equipo

- NO incline el motor o el equipo con un ángulo que pueda ocasionar derrames de combustible.
- No use el estrangulador para detener el motor.
- Nunca arranque ni ponga el motor en funcionamiento sin el conjunto del filtro de aire (si dispone de él) o sin el filtro de aire (si dispone de él).

Cuando cambie el aceite

- Si vacía el aceite desde el tubo de llenado de aceite superior, el tanque de combustible debe estar vacío o el combustible podría salir y provocar un incendio o una explosión.

Cuando se incline la unidad para una operación de mantenimiento

- Cuando realice un trabajo de mantenimiento que requiera inclinar la unidad, el tanque de combustible, si está montado en el motor, debe estar vacío para evitar que se filtre combustible y pueda provocar un incendio o una explosión.

Cuando transporte el equipo

- Transporte el equipo con el tanque de combustible VACÍO o con la válvula de cierre del combustible en posición CERRADA.

Almacenaje de combustible o de equipo con combustible en el tanque

- Almacenar lejos de hornos, estufas, calentadores de agua u otros aparatos que utilicen luces piloto u otras fuentes de encendido ya que estos pueden encender los vapores de gasolina.



ADVERTENCIA

El arranque del motor crea chispas.

Las chispas pueden encender gases inflamables cercanos.

Podría provocar una explosión o incendio.

- Si hay una pérdida de gas natural o gas PL en el área, no ponga el motor en marcha.
- No use líquidos de arranque presurizados, ya que los vapores son inflamables.



ADVERTENCIA

PELIGRO DE GAS TÓXICO. Los gases de escape del motor contienen monóxido de carbono, un gas tóxico que puede matar en cuestión de minutos. NO se puede percibir con la vista, el olfato ni el gusto. Aunque no pueda oler los gases de escape, podría estar expuesto a monóxido de carbono. Si comienza a sentirse mal, mareado o débil cuando use este producto, apáguelo y busque aire fresco INMEDIATAMENTE. Viste a un médico. Puede que se haya intoxicado con monóxido de carbono.

- Ponga en funcionamiento este producto SOLO en el exterior y alejado de ventanas, puertas y respiraderos para reducir el riesgo de que se acumule gas de monóxido de carbono y sea atraído potencialmente hacia espacios ocupados.
- Instale alarmas de monóxido de carbono que funcionen con baterías o alarmas de monóxido de carbono enchufables con batería de seguridad de acuerdo con las instrucciones del fabricante. Las alarmas de incendios no pueden detectar gas de monóxido de carbono.
- NO ponga en funcionamiento este producto en el interior de casas, garajes, sótanos, entresuelos, cobertizos u otros espacios parcialmente cerrados, incluso si utiliza ventiladores o abre puertas y ventanas para ventilar. El monóxido de carbono puede acumularse rápidamente en estos espacios y puede permanecer durante horas, incluso después de que este producto se haya apagado.
- Coloque SIEMPRE este producto a favor del viento y dirija el escape del motor alejado de espacios ocupados.



ADVERTENCIA

La retracción rápida del cable de arranque (el contragolpe) tirará de su mano y su brazo hacia el motor más rápido de lo que imagina.

Puede romperse algún hueso, provocar moratones o esguinces.

- Cuando arranque el motor, tire lentamente del cable de arranque hasta que sienta resistencia y empuje rápidamente para evitar el retroceso rápido.
- Desmonte todo el equipo externo / cargas del motor antes de arrancar el motor.
- Los componentes del equipo de acoplamiento directo como (sin limitarse a ellos) cuchillas, impulsores, poleas, ruedas dentadas, etc., deben estar bien fijados.



ADVERTENCIA

Las piezas giratorias pueden tocar o enredar las manos, pies, cabello, ropa o accesorios.

Puede provocarse una amputación traumática o una grave laceración.

- Opere el equipo con las protecciones montadas.
- Mantenga las manos y los pies lejos de las piezas giratorias.
- Recójase el pelo largo y quítese las joyas.
- No utilice ropa holgada, cordones colgantes u elementos que pudieran quedar atrapados.



ADVERTENCIA

Los motores en funcionamiento producen calor. Las piezas del motor, especialmente el silenciador, se vuelven extremadamente calientes.

Pueden producirse quemaduras térmicas graves al contacto.

Los residuos combustibles, como hojas, césped, hierbas, etc., se pueden inflamar.

- Deje que el silenciador, el cilindro del motor y las aletas se enfríen antes de tocarlos.
- Retire los residuos acumulados de la zona del silenciador y del cilindro.
- Constituye una infracción del artículo 4442 del California Public Resource Code utilizar u operar el motor en la proximidades de terrenos boscosos o de rastrojos o que estén cubiertos de hierba a menos que el sistema de escape esté equipado con un dispositivo antichispas, tal y como se define en la Sección 4442, que además se mantenga en un buen estado de funcionamiento. Otros estados o jurisdicciones federales pueden tener leyes similares. Para obtener un supresor de chispas diseñado para el sistema de escape instalado en este motor, acuda al fabricante original del aparato o a un distribuidor.



ADVERTENCIA

Las chispas no deseadas pueden causar un incendio o una descarga eléctrica.

El arranque accidental puede provocar enredos, amputaciones traumáticas o laceraciones.

Peligro de incendio

Antes de hacer ajustes o reparaciones:

- Desconecte el cable de la bujía y manténgalo alejado de la bujía.
- Desconecte la batería en la terminal negativa (sólo se aplica a motores con arranque electrónico).
- Utilice solo herramientas correctas.
- No aplique fuerza mediante resortes de regulador, enlaces, u otras piezas para aumentar la velocidad del motor.
- Las piezas de reemplazo deben ser las mismas e instalarse en la misma posición que las piezas originales. Otras piezas pueden no funcionar de la misma manera, pueden dañar la unidad, y pueden causar lesiones.
- No golpee el volante con un martillo u un objeto sólido ya que éste puede romperse durante el funcionamiento.

Cuando pruebe si hay chispas:

- Use un probador de bujías aprobado.
- No revise la chispa si la bujía no está en su sitio.

Características y controles

Controles del motor

Compare la ilustración (Figura: 1, 2) con su motor para familiarizarse con la localización de las diversas características y los mandos.

- A. Números de identificación del motor **Modelo - Tipo - Código**
- B. Bujía
- C. Purificador de aire, Bajo perfil
- D. Varilla indicadora de nivel
- E. Llenado de aceite
- F. Filtro de aceite
- G. Tapón de drenaje de aceite
- H. Sensor de presión del aceite
- I. Rejilla de la toma de aire
- J. Arranque eléctrico
- K. Solenoide de arranque
- L. Regulador/Rectificador
- M. Refrigerador de aceite (si llevara)
- N. Silenciador (si llevara)
- O. Bomba de combustible
- P. Interruptor de arranque ¹
- Q. Control del estrangulador - Modelos de carburador ¹
- R. Filtro de combustible (si llevara)

¹ Algunos motores y equipos tienen mandos remotos. Consulte el manual del equipo para conocer la ubicación y el funcionamiento de los controles remotos.

Símbolos de control del motor y su significado

Símbolo	Significado	Símbolo	Significado
	Velocidad del motor - FAST, rápida		Velocidad del motor - SLOW, lenta
	Velocidad del motor - STOP, parada		ON - OFF
	Arranque del motor - Estrangulador CERRADO		Arranque del motor - Estrangulador ABIERTO
	Tapa del depósito de combustible Válvula de cierre de combustible - ABIERTA		Válvula de cierre de combustible - CERRADA
	Nivel de combustible - Máximo No llene el depósito en exceso		

Funcionamiento

Recomendaciones sobre aceite

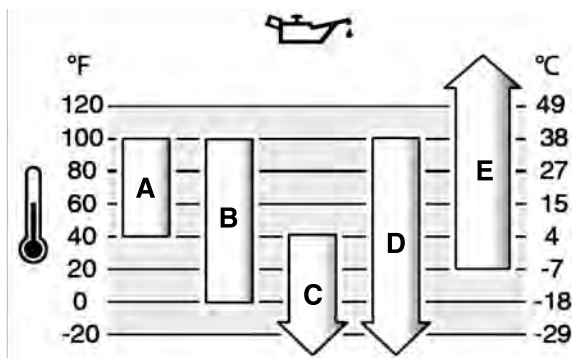
Capacidad de aceite: Ver la sección de *Especificaciones*.

AVISO

Briggs & Stratton envía este producto sin aceite. Es posible que los fabricantes de maquinaria o los distribuidores hayan añadido aceite al motor. Antes de arrancar el motor por primera vez, asegúrese de comprobar el nivel de aceite siguiendo las instrucciones de este manual. Si arranca el motor sin aceite, quedará dañado sin opción a reparación y no estará cubierto por la garantía.

Recomendamos el uso de aceites Briggs & Stratton con garantía certificada para un mejor rendimiento. Otros aceites detergentes de alta calidad son aceptables si están clasificados para servicio SF, SG, SH, SJ o superior. No utilizar aditivos especiales.

Las temperaturas exteriores determinarán la viscosidad adecuada del aceite para el motor. Use la tabla para seleccionar la mejor viscosidad para el margen de temperatura exterior que se espera. La mayoría de motores en equipos de exterior funcionan bien con el aceite sintético 5W-30. Para el uso de equipos en temperaturas altas, el aceite sintético Vanguard™ 15W-50 ofrece la mejor protección.



A	SAE 30 - Con menos de 4 °C, el uso de SAE 30 provocará un arranque difícil.
B	10W-30 - Por encima de los 27 °C, el uso de 10W-30 puede provocar un aumento en el consumo de aceite. Compruebe el nivel de aceite con mayor frecuencia.
C	5W-30
D	Sintético 5W-30
E	Vanguard™ sintético 15W-50

Comprobar el nivel de aceite

Observe la Figura: 3

Antes de añadir o comprobar el aceite

- Cerciórese de que la unidad esté nivelada.
- Limpie cualquier suciedad del área de llenado del aceite.

1. Saque la varilla medidora (A, Figura 3) y límpiela con un paño limpio.
2. Introduzca a fondo la varilla medidora (A, Figura 3).
3. Saque la varilla y compruebe el nivel del aceite. El nivel de aceite correcto se indica en la parte superior de la señal indicadora de lleno (B, Figura 3) de la varilla.
4. Si el nivel del aceite está bajo, añada lentamente aceite por el orificio de llenado de aceite del motor (C, Figura 3). **No llene el depósito en exceso.** Después de añadir aceite, espere un minuto y luego vuelva a revisar el nivel de aceite.
5. Introduzca a fondo la varilla medidora (A, Figura 3).

Sistema de protección contra bajo nivel de aceite (si lleva)

Algunos motores llevan un detector de bajo nivel de aceite. Si el nivel de aceite está bajo, el detector activará una luz de advertencia o parará el motor. Pare el motor y realice estas operaciones antes de volver a arrancarlo.

- Cerciórese de que la unidad esté nivelada.
- Compruebe el nivel de aceite. Consulte la sección **Comprobar el nivel de aceite**.
- Si el nivel está bajo, añada la cantidad adecuada de aceite. Arranque el motor y asegúrese de que no se encienda la luz de advertencia (si lleva).
- No arranque el motor si el nivel de aceite es demasiado bajo. Para corregir el problema del aceite, consulte a un distribuidor autorizado de Briggs & Stratton.

Recomendaciones sobre combustible

El combustible debe cumplir estos requisitos:

- Gasolina en buen estado y sin plomo.
- Un mínimo de 87 octanos/87 AKI (91 RON). Para usos en grandes altitudes, véase abajo.
- También se puede utilizar gasolina con un porcentaje de hasta 10% de etanol (gasohol).

AVISO No utilice gasolinas no homologadas, como es el caso de E85. No haga mezclas con las gasolinas ni realice modificaciones en el motor para hacerlo funcionar con otros combustibles. Hacer tal cosa dañaría los componentes del motor y anularía su garantía.

Para proteger el sistema de combustible de la formación de resinas, mezcle un estabilizador de combustible en el combustible. Consulte la sección **Almacenamiento**. No todos los combustibles son iguales. Si tiene problemas durante el arranque o el funcionamiento, cambie de proveedor o marca de combustible. El funcionamiento de este motor con gasolina está certificado. El sistema de control de emisiones para este motor es EM (Modificaciones de motores).

Gran altitud

A altitudes superiores a los 1.524 metros (5.000 pies), es aceptable una gasolina de 85 octanos/85 AKI (89 RON).

Para motores carburados se requiere el ajuste de gran altitud para mantener su rendimiento. Sin este ajuste, la bomba perderá rendimiento y aumentarán el consumo de combustible y las emisiones. Para información sobre el ajuste especial para gran altitud, consulte a un concesionario autorizado Briggs & Stratton. No se recomienda hacer funcionar el motor con el ajuste para grandes alturas a altitudes inferiores a los 762 metros (2.500 pies).

Para motores EFI (Inyección electrónica de combustible), no es necesario realizar un ajuste de gran altura.

Adición de combustible

Observe la figura: 4



ADVERTENCIA

El combustible y sus vapores son extremadamente inflamables y explosivos.

El fuego o las explosiones pueden causar quemaduras graves o incluso la muerte.

Al añadir combustible

- Apague el motor y deje que se enfríe durante al menos 2 minutos antes de retirar la tapa de llenado de combustible.
 - Llène el tanque de combustible en exteriores en un área bien ventilada.
 - No llene demasiado el tanque de combustible. Para permitir que el combustible se expanda, no llene el depósito por encima de la parte inferior del cuello del tanque de combustible.
 - Mantenga el combustible alejado de chispas, llamas directas, llamas piloto, calor y otras fuentes de ignición.
 - Revise los tubos de combustible, el tanque, la tapa y los conectores a menudo, para constatar si presentan grietas o pérdidas. Cambie si es necesario.
 - Si se derrama combustible, espere hasta que se evapore para arrancar el motor.
1. Limpie el área de la tapa del tanque de combustible. Retire la tapa del combustible.
 2. Llène el tanque de combustible (A, Figura 4) con gasolina. Para permitir que el combustible se expanda, no llene el depósito por encima de la parte inferior del cuello del tanque de combustible (B).
 3. Vuelva a instalar la tapa del combustible.

Arrancar y parar el motor

Observe la Figura: 5

Arranque el motor



ADVERTENCIA

El combustible y sus vapores son extremadamente inflamables y explosivos.

El fuego o las explosiones pueden causar quemaduras graves o incluso la muerte.

Al arrancar el motor

- Asegúrese de que la bujía, el silenciador, el depósito de combustible y el filtro de aire (si se proporcionan) están en su lugar y sujetos.
- No arranque con la manivela el motor con la bujía quitada.

- Si el motor se ahoga, ponga el estrangulador (si se proporciona) en la posición ABIERTO/MARCHA (OPEN/RUN), mueva el acelerador (si se proporciona) a la posición RÁPIDO (FAST) y arranque con la manivela hasta que el motor arranque.



ADVERTENCIA

PELIGRO DE GAS TÓXICO. Los gases de escape del motor contienen monóxido de carbono, un gas tóxico que puede matar en cuestión de minutos. **NO se puede percibir con la vista, el olfato ni el gusto. Incluso si no huele gases de escape, podría estar expuesto a monóxido de carbono. Si comienza a sentirse mal, mareado o débil cuando use este producto, apáguelo y busque aire puro DE INMEDIATO. Viste a un médico. Puede que se haya intoxicado con monóxido de carbono.**

- Ponga en funcionamiento este producto SOLO en el exterior y alejado de ventanas, puertas y respiraderos para reducir el riesgo de que se acumule gas de monóxido de carbono y sea atraído potencialmente hacia espacios ocupados.
- Instale alarmas de monóxido de carbono que funcionen con baterías o alarmas de monóxido de carbono enchufables con batería de seguridad de acuerdo con las instrucciones del fabricante. Las alarmas de incendios no pueden detectar gas de monóxido de carbono.
- NO ponga en funcionamiento este producto en el interior de casas, garajes, sótanos, entresuelos, cobertizos u otros espacios parcialmente cerrados, incluso si utiliza ventiladores o abre puertas y ventanas para ventilar. El monóxido de carbono puede acumularse rápidamente en estos espacios y puede permanecer durante horas, incluso después de que este producto se haya apagado.
- Coloque SIEMPRE este producto a favor del viento y dirija el escape del motor hacia espacios desocupados.

AVISO Briggs & Stratton envía este producto sin aceite. Antes de poner en marcha el motor, asegúrese de añadir aceite de acuerdo con las instrucciones de este manual. Si arranca el motor sin aceite, quedará dañado sin opción a reparación y no estará cubierto por la garantía.

Determine el sistema de arranque

Antes de arrancar el motor, debe determinar el tipo de sistema de arranque de su motor. Su motor tendrá uno de los siguientes tipos.

- **Sistema de inyección electrónica de combustible (EFI)** : Esto incluye inyección electrónica de combustible. No tiene un estrangulador o a cebador.
- **Sistema de estrangulamiento:** incluye un estrangulador que se utiliza para arrancar en temperaturas frías. Algunos modelos tienen un control del estrangulador separado, mientras que otros presentan una combinación de control del estrangulador y acelerador. Este tipo no tiene cebador.

Nota: El equipo puede tener mandos a distancia. Consulte el manual del equipo para conocer la ubicación y el funcionamiento de los mandos a distancia.

Sistema EFI (Inyección Electrónica de Combustible)

1. Compruebe el aceite. Consulte la sección **Comprobar el nivel del aceite**.
2. Asegúrese de que los controles de mando del equipo, si llevara, estén desembagados.
3. Ponga la válvula de cierre de combustible (A, Figura 5), si llevara, en posición OPEN, abierta.
4. Ponga el control de aceleración en posición SLOW, lento.
5. Ponga el interruptor de paro (D, Figura 5), si llevara, en posición de arranque, ON.
6. Ponga el interruptor de arranque eléctrico (E, Figura 5) en posición de encendido o de arranque, ON o START.

AVISO Para prolongar la vida del arranque, utilice ciclos de arranque cortos (máximo de cinco segundos). Espere un minuto entre ciclos de arranque.

Nota: Si el motor no arranca tras varios intentos repetidos, contacte con su concesionario local, acceda a VanguardEngines.com o llame al 1-800-999-9333 (en EE.UU).

Sistema del estrangulador

1. Compruebe el aceite. Consulte la sección **Comprobar el nivel del aceite**.
2. Asegúrese de que los controles de mando del equipo, si llevara, estén desembagados.
3. Ponga la válvula de cierre de combustible (A, Figura 5), si llevara, en posición OPEN, abierta.
4. Ponga el control de aceleración en posición FAST, rápido.

- Mueva el control del estrangulador (C, Figura 5), si llevara, a la posición CLOSED, cerrado.

Nota: Para arrancar el motor con un sistema de combustible seco (arranque por primera vez o tras agotar el combustible), será necesario un arranque adicional en la posición de estrangulamiento. Con ello se dará tiempo a la bomba de combustible para cebar el sistema de combustible.

- Ponga el interruptor de paro (D, Figura 5), si llevara, en posición de arranque, ON.
- Gire la llave de encendido (E, Figura 5) a la posición de funcionamiento/arranque, ON o START.
- Si el motor da chispa pero se para, mueva el estrangulador (C, Figura 5) a posición OPEN, abierto, para arrancar el motor.

AVISO Para prolongar la vida del arranque, utilice ciclos de arranque cortos (máximo de cinco segundos). Espere un minuto entre ciclos de arranque.

- Al ir calentándose el motor, mueva el control del estrangulador (C, Figura 5) a la posición OPEN, abierto.

Nota: Si el motor no arranca tras varios intentos repetidos, contacte con su concesionario local, acceda a VanguardEngines.com o llame al 1-800-999-9333 (en EE.UU.).

Parar el motor



ADVERTENCIA

El combustible y sus vapores son extremadamente inflamables y explosivos.

El fuego o las explosiones pueden causar quemaduras graves o incluso la muerte.

- No cebe el carburador, si llevara, para detener el motor.
- Interruptor de paro, si llevara:** Ponga el interruptor de paro (D, Figura 5) en posición de parada, off.
Interruptor de llave, si llevara: Con el control del acelerador, si llevara, en posición lenta, gire la llave de encendido (E, Figura 5) hasta la posición de parada. Saque la llave y guárdela en un lugar seguro lejos del alcance de los niños.
 - Una vez parado el motor, ponga la válvula de cierre del combustible (A, Figura 5), si llevara, en posición cerrada.

Mantenimiento

AVISO Si el motor se inclina durante el mantenimiento, el tanque de combustible debe vaciarse y el lateral de la bujía debe estar en vertical. Si no se vacía el tanque de gasolina y el motor se inclina en cualquier otra dirección, es posible que resulte difícil arrancarlo ya que probablemente el aceite o el combustible habrán ensuciado el filtro del aire y/o la bujía.



ADVERTENCIA

Cuando se realice una operación de mantenimiento que requiera inclinar la unidad, el tanque, si está montado en el motor, debe estar vacío o puede que se filtre combustible y que cause un incendio o una explosión.

Recomendamos que consulte con un concesionario de servicio autorizado Briggs & Stratton para todas las operaciones de mantenimiento y servicio del motor y de sus piezas.

AVISO Todos los componentes utilizados para la construcción de este motor deben estar montados para una operación correcta.



ADVERTENCIA

Las chispas no deseadas pueden causar un incendio o una descarga eléctrica.

Un arranque involuntario puede ocasionar enredos, amputaciones traumáticas, o laceración.

Riesgo de incendio.

Antes de realizar ajustes o reparaciones:

- Desconecte el cable de la bujía y manténgalo alejado de la bujía.
- Desconecte la batería en el polo negativo (sólo se aplica a motores con arranque electrónico).
- Utilice solamente las herramientas apropiadas.

- NO manipule el muelle del regulador, las varillas u otras partes para incrementar el régimen del motor.
- Las piezas de repuesto deben ser las mismas e instalarse en la misma posición que las piezas originales. Otras piezas pueden no funcionar de la misma manera, pueden dañar la unidad, y causar lesiones.
- No golpee el volante con un martillo o un objeto sólido ya que éste puede romperse durante el funcionamiento.

Cuando revise la bujía:

- Utilice un probador de bujías que esté homologado.
- No revise la chispa si la bujía no está en su sitio.

Servicio de control de emisiones

El mantenimiento, reemplazo o reparación de los dispositivos y sistemas de control de emisiones pueden ser realizados por cualquier establecimiento o persona que repare motores todo terreno. Sin embargo, para obtener servicio de control de emisiones "sin cargo alguno", esta operación debe ser realizada por un distribuidor autorizado por la fábrica. Consulte la garantía del control de emisiones.

Programa de mantenimiento

Cada 8 horas o a diario
<ul style="list-style-type: none"> Comprobar el nivel del aceite del motor Limpiar el área alrededor del silenciador y los controles
Cada 100 horas o anualmente
<ul style="list-style-type: none"> Cambiar las bujías Cambio del aceite del motor Cambiar filtro de aceite (si llevara) Realizar el mantenimiento del filtro del aire ¹ Limpie el prefiltro (si llevara) ¹ Realizar el mantenimiento del sistema de escape
Cada 250 horas
<ul style="list-style-type: none"> Revisar la holgura de la válvula. Ajustar si fuera necesario.
Cada 400 horas o anualmente
<ul style="list-style-type: none"> Cambiar el filtro de aire Cambiar el filtro de combustible Realizar el mantenimiento del sistema de refrigeración ¹ Limpiar aletas del refrigerador de aceite ¹

¹ Limpiar más a menudo en condiciones de mucho polvo o con partículas suspendidas.

Carburador y velocidad del motor

No ajuste la velocidad del carburador ni del motor. El carburador ha sido ajustado con valores de fábrica para que pueda funcionar de un modo eficaz en la mayoría de las condiciones. NO manipule el muelle del regulador, las varillas u otras piezas para incrementar el régimen del motor. Si necesitara algún ajuste, contacte con un Distribuidor autorizado Briggs & Stratton para el servicio.

AVISO El fabricante del equipo especifica la velocidad del máxima del motor instalado en el equipo. **No exceda** esta velocidad. Si no sabe cuál es la velocidad máxima del motor, o cómo se ha ajustado ésta en fábrica, contacte con un concesionario autorizado Briggs & Stratton para solicitar ayuda. Para una operación segura y correcta el equipo, la velocidad del motor debe ser ajustada solo por un técnico de servicio cualificado.

Revisar la bujía

Consulte la Figura: 6

Compruebe la distancia entre electrodos (A, Figura 6) con un calibrador de alambre (B). Si fuera necesario, reajuste la distancia entre electrodos. Monte la bujía y apriétela al par recomendado. Para información sobre el ajuste de la distancia o el par de apriete, consulte la sección **Especificaciones**.

Nota: NOTA: En algunas áreas, las leyes locales requieren el uso de una bujía con resistencia para suprimir señales de encendido Si un motor vino originalmente equipado con una bujía con resistencia, asegúrese de usar el mismo tipo de bujía cuando la vaya a cambiar.

Remoción del sistema de escape



ADVERTENCIA

Los motores en marcha producen calor. Las piezas del motor, especialmente el silenciador, se vuelven sumamente calientes.

Se pueden producir quemaduras térmicas graves al contacto.

Detritos de combustibles, tales como hojas, césped, maleza, etc., pueden incendiarse.

- Deje que el silenciador, el cilindro y las aletas del motor se enfríen antes de tocarlos.
- Retire toda la suciedad del área del silenciador y del área del cilindro.
- Constituye una infracción del artículo 4442 del California Public Resource Code utilizar u operar el motor en la proximidades de terrenos boscosos o de rastrojos o que estén cubiertos de hierba a menos que el sistema de escape esté equipado con un dispositivo antichispas, tal y como se define en la Sección 4442, que además se mantenga en un buen estado de funcionamiento. Otros estados o jurisdicciones federales pueden tener normas legales similares. Para obtener una pantalla antichispas diseñada para el sistema de escape instalado en este motor, acuda al fabricante original del aparato o a un distribuidor.

Retire toda la suciedad acumulada del área del silenciador y Inspeccione el silenciador por si presenta fisuras, corrosión u otros daños. Retire la pantalla antichispas, si está instalada, e inspeccione si presenta daños o acumula carbonilla. Si están dañados, monte los repuestos antes de operar la unidad.



ADVERTENCIA

Las piezas de reemplazo deben ser las mismas e instalarse en la misma posición que las piezas originales. Otras piezas pueden no funcionar de la misma manera, pueden dañar la unidad, y pueden causar lesiones.

Cambio del aceite del motor

Observe la Figura: 7, 8, 9

El aceite usado es un producto de desecho peligroso y debe eliminarse de un modo correcto. No lo tire a un cubo de residuos domésticos. Pregunte a las autoridades locales, a un centro de mantenimiento o a un distribuidor dónde existen instalaciones para la eliminación/reciclaje de estos residuos.

Extracción del aceite

1. Con el motor apagado pero todavía caliente, desconecte el o los cables de las bujías (D, Figura 7) y manténgalos alejados de las bujías (E).
2. Saque la varilla medidora (A, Figura 8).
3. Quite el tapón de drenado del aceite (F, Figura 9). Drene el aceite en un recipiente aprobado para este fin.
4. Una vez drenado el aceite, coloque y apriete el tapón de drenado del aceite (F, Figura 9).

Cambie el filtro de aceite, si llevara

Algunos motores llevan un filtro de aceite. Para información sobre los intervalos de cambio, consulte el **Programa de mantenimiento**.

1. Drene el aceite del motor. Consulte la sección **Extracción del aceite**.
2. Quite el filtro de aceite (G, Figura 9) y elimínelo de la manera adecuada.
3. Antes de montar el nuevo filtro de aceite, lubrique ligeramente la junta del filtro con aceite nuevo y limpio.
4. Coloque el filtro de aceite a mano hasta que la junta haga contacto con el adaptador del filtro, y apriételo de 1/2 a 3/4 de vuelta.
5. Añada aceite. Consulte la sección **Añadir aceite**.
6. Arranque el motor y hágalo funcionar. Según se va calentando el motor, compruebe si hay fugas de aceite.
7. Para el motor y compruebe el nivel de aceite. El nivel de aceite correcto se indica en la parte superior de la señal indicadora de lleno (B, Figura 8) de la varilla.

Adición de aceite

- Cerciórese de que la unidad esté nivelada.
- Limpie cualquier suciedad del área de llenado del aceite.

- Consulte la sección **Especificaciones** para ver la capacidad de almacenamiento del aceite.

1. Saque la varilla medidora (A, Figura 8) y límpiela con un paño limpio.
2. Vierta lentamente aceite por el orificio de llenado de aceite del motor (C, Figura 8). **No llene el depósito en exceso.** Después de añadir aceite, espere un minuto y luego compruebe el nivel de aceite.
3. Coloque y apriete la varilla medidora (A, Figura 8).
4. Saque la varilla y compruebe el nivel del aceite. El nivel de aceite correcto se indica en la parte superior de la señal indicadora de lleno (B, Figura 8) de la varilla.
5. Coloque de nuevo la varilla medidora y apriétela (A, Figura 8).
6. Conecte el o los cables (D, Figura 7) a las bujías (E).

Mantenimiento del filtro de aire

Observe la Figura: 10



ADVERTENCIA

El combustible y sus vapores son extremadamente inflamables y explosivos.

El fuego o las explosiones pueden causar quemaduras graves o incluso la muerte.

- Nunca arranque o haga funcionar el motor con el conjunto del depurador de aire (si llevara) o el filtro de aire (si llevara) quitados.

AVISO No utilice aire presurizado o disolventes para limpiar el filtro. El aire presurizado puede dañar el filtro y los disolventes lo disolverán.

Consulte la sección **Programa de mantenimiento** para ver los requisitos de mantenimiento.

El sistema del filtro de aire utiliza un filtro de papel con un prefiltro opcional. El prefiltro puede lavarse y volver a utilizarse.

1. Afloje el o los cierres (A, Figura 10).
2. Abra la tapa (B, Figura 10).
3. Quite el o los cierres (C, Figura 10) y el retén (D).
4. Saque el filtro de aire (E, Figura 10).
5. Saque el prefiltro (F, Figura 10), si llevara, del filtro de aire (E).
6. Para quitar en lo posible la suciedad, golpee suavemente el filtro de aire (E, Figura 10) contra una superficie dura. Si el filtro de aire está excesivamente sucio, cámbielo por uno nuevo.
7. Lave el prefiltro (F, Figura 10), si llevara, con detergente líquido y agua. Deje que se seque bien el prefiltro. **No engrase el prefiltro.**
8. Monte el prefiltro seco (F, Figura 10), si llevara, en el filtro de aire (E).
9. Monte el filtro de aire (E, Figura 10) y asegúrelo con el retén (D) y el o los cierres (C).
10. Monte la tapa (B, Figura 10) y asegúrela con el o los cierres (A). Verifique que los cierres están bien apretados.

Mantenimiento del sistema de combustible

Consulte la Figura: 11



ADVERTENCIA

El combustible y sus vapores son extremadamente inflamables y explosivos.

El fuego o las explosiones pueden causar quemaduras graves o incluso la muerte.

- Mantenga el combustible alejado de chispas, llamas abiertas, pilotos, calor y otras fuentes de ignición.
- Verifique las líneas de combustible, tanque, tapa y conectores a menudo, para constatar si presentan rajaduras o pérdidas. Cámbielos si es necesario.
- Antes de limpiar o cambiar el filtro de combustible, drene el tanque de gasolina o cierre la válvula de corte de combustible.
- Si se derrama combustible, espere hasta que se evapore para arrancar el motor.
- Las piezas de repuesto deben ser iguales e instalarse en la misma posición que las originales.

Filtro de combustible, si llevara

1. Antes de cambiar el filtro de combustible (A, Figura 11), si llevara, drene el tanque de gasolina o cierre la válvula de cierre de combustible. Si no lo hace, pueden producirse fugas de combustible y provocar un incendio o una explosión.
2. Con unos alicates, sujete fuerte las pestañas (B, Figura 11) de las abrazaderas (C), y retire estas del filtro de combustible (A). Gire y saque las mangueras de combustible (D) del filtro.
3. Compruebe si las mangueras de combustible (D, Figura 11) presentan grietas o pérdidas. Cámbielas si es necesario.
4. Cambie el filtro de combustible (A, Figura 11) por un filtro de repuesto original.
5. Asegure las mangueras de combustible (D, Figura 11) con las abrazaderas (C) como se indica.

Remoción del Sistema de refrigeración



ADVERTENCIA

Los motores en marcha producen calor. Las piezas del motor, especialmente el silenciador, se vuelven sumamente calientes.

Se pueden producir quemaduras térmicas graves al contacto.

Los restos de suciedad combustibles, como hojas, césped, maleza, etc., pueden incendiarse.

- Deje que el silenciador, el cilindro y las aletas del motor se enfríen antes de tocarlos.
- Retire toda la suciedad del área del silenciador y del área del cilindro.

AVISO No utilice agua para limpiar el motor. El agua puede contaminar el sistema de combustible. Utilice un cepillo o un paño seco para limpiar el motor.

Este es un motor refrigerado por aire. La suciedad o los detritos pueden restringir el flujo de aire y provocar el sobrecalentamiento del motor, reduciendo su rendimiento y acortando su vida útil.

1. Utilice un cepillo o un paño seco para eliminar los restos de suciedad de la rejilla de la toma de aire.
2. Mantenga la conexión, el resorte y los controles limpios.
3. Mantenga el área alrededor del silenciador y detrás de él libre de residuos combustibles.
4. Asegúrese de que no haya suciedad ni residuos en las aletas de refrigeración de aceite.

Tras un período de tiempo puede acumularse suciedad en las aletas de refrigeración del cilindro y provocar el sobrecalentamiento del motor. Estos restos de suciedad no pueden eliminarse sin desmontar parcialmente el motor. Pida a un concesionario autorizado de Briggs & Stratton que revise y limpie el sistema de refrigeración por aire tal como se recomienda en el **Programa de mantenimiento**.

Almacenaje



ADVERTENCIA

El combustible y sus vapores son extremadamente inflamables y explosivos.

El fuego o las explosiones pueden causar quemaduras graves o incluso la muerte.

Almacenaje de combustible o de equipo con combustible en el tanque

- Almacenar lejos de hornos, estufas, calentadores de agua u otros aparatos que utilicen luces piloto u otras fuentes de encendido ya que estos pueden encender los vapores de gasolina.

Sistema de combustible

Consulte la figura: 12

Almacene el nivel del motor (posición de funcionamiento normal). Llene el tanque de combustible (A, Figura 12) con combustible. Para permitir que el combustible se expanda, no llene el depósito por encima del cuello del tanque de combustible (B).

El combustible puede echarse a perder si se almacena durante más de 30 días. El combustible en mal estado provoca la formación de residuos ácidos y carbonilla en el sistema de combustible y en los componentes básicos del carburador. Para mantener el combustible en buen estado, use **estabilizador y agente de tratamiento de combustible de fórmula avanzada** Briggs & Stratton, disponible en todos los puntos de venta de piezas de repuesto originales Briggs & Stratton.

No es necesario vaciar la gasolina del motor si se añade estabilizador de combustible conforme a las instrucciones. Haga funcionar el motor durante dos (2) minutos para que el estabilizador circule por todo el circuito de combustible antes del almacenamiento.

Si el combustible del motor no se ha tratado con un estabilizador de combustible, debe vaciarse en un contenedor aprobado para tal fin. Haga funcionar el motor hasta que se detenga por falta de combustible. Se recomienda usar un estabilizador de combustible en el recipiente de almacenamiento para mantener el combustible en perfecto estado.

Aceite del motor

Cambie el aceite del motor cuando esté aún caliente. Consulte la sección **Cambio del aceite del motor**.

Solución de problemas

Si necesita ayuda, póngase en contacto con su concesionario local, acceda a **VanguardEngines.com** o llame al número **1-800-999-9333** (en EE.UU.).

Especificaciones

Modelo: 611400, 613400, 61E400, 61G400	
Cilindrada	60.60 ci (993 cc)
Diámetro	3.366 in (85,5 mm)
Carrera	3.406 in (86,5 mm)
Capacidad de aceite	78 - 80 oz (2,3 - 2,4 L)
Abertura de la bujía	.030 in (.76 mm)
Torsión de la bujía	180 lb-in (20 Nm)
Entrehierro inducido - Modelos de carburador	.005 - .008 in (.13 - .20 mm)
Holgura de la válvula de admisión	.004 - .006 in (.10 - .15 mm)
Holgura de la válvula de escape	.007 - .009 in (.18 - .23 mm)

Específicamente, la potencia del motor se reducirá un 3,5% por cada 300 metros (1.000 pies) de altitud sobre el nivel del mar y un 1% por cada 5,6°C (10°F) sobre los 25°C (77°F). El motor funcionará de manera satisfactoria a un ángulo de hasta 15°. Consulte el manual de instrucciones del equipo para ver los límites operativos permisibles y seguros en pendientes.

Piezas de servicio - Modelo: 611400, 613400, 61E400, 61G400	
Kit de servicio	Número de pieza
Filtro de aire de papel (Figura 10)	692519
Prefiltro (Figura 10)	692520
Aceite - SAE 30	100028
Filtro de aceite	842921
Estabilizador de combustible Advanced Formula Fuel Treatment & Stabilizer	100117, 100120
Filtro de combustible	845125
Bujía de resistencia	491055
Bujía de platino de larga duración	5066
Llave para bujías	19374
Supresor de chispas	19368

Se recomienda consultar con un concesionario de servicio autorizado de Briggs & Stratton para realizar todo el mantenimiento y el servicio del motor y de sus piezas.

Potencia nominal: El valor de potencia bruta nominal de cada modelo de motor de gasolina está indicado en una etiqueta conforme al código J1940, Procedimiento de valoración de potencia y par de torsión para motores pequeños, de la Society of Automotive Engineers (Sociedad de Ingenieros de Automoción, SAE) y se ajusta conforme al código SAE J1995. Los valores de par de torsión se obtienen a 2600 RPM para los motores con indicación de "rpm" en la etiqueta y a 3060 RPM para todos los demás; los valores de potencia se obtienen a 3600 RPM. Las curvas de potencia bruta se pueden ver en www.BRIGGSandSTRATTON.COM. Los valores de potencia neta se obtienen con el escape y filtro de aire instalados, mientras que los valores de potencia bruta se obtienen sin estos elementos. La potencia bruta real del motor es superior a la potencia neta del motor y depende, entre otros factores, de las condiciones ambientales de uso y de las variaciones entre distintos motores del mismo modelo. Dada la amplia variedad de productos que utilizan nuestros motores, es posible que el motor de gasolina no desarrolle

la potencia bruta nominal en determinados equipos. Esta diferencia se debe a los siguientes factores, entre otros: variedad de componentes del motor (filtro de aire, escape, carga, refrigeración, carburador, bomba de combustible, etc.), limitaciones de la aplicación, condiciones ambientales de uso (temperatura, humedad, altitud) y variaciones entre distintos motores de un mismo modelo. Debido a limitaciones de fabricación y capacidad, Briggs & Stratton puede sustituir un motor de una potencia nominal mayor por este motor.

Garantía

Garantía de los motores Briggs & Stratton

Desde enero de 2017

GARANTÍA LIMITADA

Briggs & Stratton garantiza que, durante el periodo de garantía especificado a continuación, reparará o reemplazará, sin cargo, cualquier pieza defectuosa en cuanto a materiales, mano de obra o ambos. El comprador será responsable de pagar los cargos de transporte relativos a los productos enviados para reparación o sustitución según esta garantía. Esta garantía se mantiene vigente durante los periodos de tiempo indicados a continuación y está sujeta a dichos periodos y a las condiciones que se indican a continuación. Para recurrir al servicio en garantía, busque el servicio técnico autorizado más cercano en el mapa localizador de distribuidores que hay disponible en BRIGGSandSTRATTON.com. El comprador debe ponerse en contacto con el distribuidor de servicio autorizado y hacerle llegar el producto para que lo inspeccione y lo pruebe.

No existe otra garantía expresa. Las garantías implícitas, incluidas las de comerciabilidad e idoneidad para un propósito en particular, están limitadas al periodo de garantía mencionado a continuación, o en la medida que lo permita la ley. La responsabilidad por daños directos o emergentes está excluida según lo permita la ley. Algunos estados o países no permiten limitaciones sobre la duración de una garantía implícita y algunos estados o países no permiten la exclusión o limitación de daños directos o indirectos, por lo que puede que las limitaciones y exclusiones anteriores no se apliquen en su caso. Esta garantía le otorga derechos legales específicos; también podría tener otros que varían según el estado o el país ⁴.

Términos de la garantía estándar ^{1, 2, 3}

Marca / Nombre del producto	Uso del consumidor	Uso comercial
Vanguard™; Serie comercial	36 meses	36 meses
Motores con camisa de cilindro de fundición Dura-Bore™	24 meses	12 meses
Todos los demás motores	24 meses	3 meses

¹Estos son los términos de nuestra garantía estándar, pero en algunos casos puede haber cobertura de garantía adicional no determinada en el momento de la publicación. Para ver la lista de términos actuales de la garantía para su motor, acceda a BRIGGSandSTRATTON.com o contacte con su Distribuidor autorizado Briggs & Stratton.

²No están cubiertos por la garantía los motores montados en equipo utilizado para suministrar energía en lugar de un servicio o para generadores de reserva utilizados para fines comerciales. Los motores utilizados en carreras deportivas o pistas profesionales o para el alquiler no están cubiertos por la garantía.

³Vanguard montado en generadores de reserva: 24 meses de uso por consumidor, no uso comercial en garantía. Vanguard montado en vehículos industriales: 24 meses de uso consumidor, 24 meses de uso comercial. Serie comercial con fecha de fabricación antes de julio de 2017, 24 meses de consumo, 24 meses de uso comercial.

⁴En Australia, nuestros productos están cubiertos por garantías ineludibles de acuerdo con la legislación sobre consumo de este país. Tiene derecho a una sustitución o un reembolso por una avería importante y a compensación por cualquier otra pérdida o daño razonablemente previsible. También tiene derecho a una reparación o sustitución de productos si estos no son de una calidad aceptable y la avería no asciende a una avería importante. Para el servicio de garantía, busque el distribuidor de servicio autorizado más cercano en el mapa localizador de distribuidores en BRIGGSandSTRATTON.com, o llame al 1300 274 447, o envíe un correo electrónico u ordinario a salesenquires@briggsandstratton.com.au, Briggs & Stratton Australia Pty Ltd, 1 Moorebank Avenue, NSW, Australia, 2170.

El período de garantía comienza en la fecha de compra original del primer usuario minorista o comercial. "Uso del consumidor" significa uso doméstico residencial personal por un consumidor minorista. "Uso comercial" significa todos los demás usos, como el uso para fines comerciales, de producción de renta o de alquiler. Una vez que el motor haya sido utilizado para uso profesional, será considerado como motor de uso profesional con respecto a esta garantía.

Guarde su comprobante de compra. Si no aporta la prueba de la fecha de compra inicial en el momento de solicitar el servicio de garantía, se utilizará la fecha de fabricación del producto para determinar el periodo de garantía. No se requiere registrar el producto para obtener el servicio de garantía para los productos Briggs & Stratton.

Sobre su garantía

Esta garantía cubre únicamente motores con material y/o mano de obra defectuosos, y no reemplazará ni reembolsará el equipo en el que esté montado el motor. El mantenimiento

rutinario, las puestas a punto, el ajuste o el desgaste normal no están cubiertos por esta garantía. Del mismo modo, la garantía no es aplicable si el motor ha sido alterado o modificado o si el número de serie del motor ha sido borrado o eliminado. Esta garantía no cubre daños al motor o problemas de rendimiento provocados por:

1. El uso de repuestos no originales de Briggs & Stratton;
2. El funcionamiento del motor con aceite lubricante insuficiente, contaminado o del tipo incorrecto;
3. El uso de combustible contaminado o pasado, o gasolina formulada con más del 10 % de etanol, o el uso de combustibles alternativos como gas de petróleo licuado o gas natural en motores no diseñados o fabricados originalmente por Briggs & Stratton para operar con tales combustibles;
4. Suciedad en el motor acumulada por un mantenimiento o un montaje inadecuados del filtro de aire;
5. El impacto de un objeto contra la cuchilla de una cortadora de césped rotativa, un montaje flojo o incorrecto de adaptadores de la cuchilla, impulsores u otros dispositivos acoplados al cigüeñal, o un apriete excesivo de la correa en V;
6. Piezas o conjuntos asociados tales como embragues, transmisiones, mandos del equipo, etc., no suministrados por Briggs & Stratton;
7. El recalentamiento causado por los recortes de hierba, la suciedad o la presencia de nidos de roedores que taponan u obstruyen las aletas de refrigeración o la zona del volante, o por hacer funcionar el motor sin una ventilación suficiente;
8. Unas vibraciones excesivas debidas a un exceso de velocidad, a un montaje del motor flojo, cuchillas o impulsores desequilibrados o flojos, o el acoplamiento incorrecto de componentes del equipo al cigüeñal;
9. Un uso incorrecto, falta de mantenimiento rutinario, transporte, manipulación o almacenamiento del equipo, o un montaje incorrecto del motor.

El servicio bajo garantía está disponible únicamente en los concesionarios de servicio autorizados Briggs & Stratton. Localice su concesionario de servicio autorizado más cercano en nuestro mapa localizador en BRIGGSandSTRATTON.COM o llame al número 1-800-233-3723 (en EE. UU.).

80004537 (Rev. C)

Tämän käsikirjan sisältämien turvallisuutta koskevien tietojen tarkoituksena on kertoa moottoriin liittyvistä vaaroista ja riskeistä sekä siitä, miten niitä vältetään. Käsikirja sisältää myös ohjeet moottorin oikeaa käyttöä ja huoltoa varten. Koska Briggs & Stratton ei välttämättä tiedä, minkä laitteen voimanlähteenä tätä moottoria käytetään, on tärkeää, että luet ja ymmärrät sekä nämä ohjeet että sitä laitetta koskevat ohjeet, jota tällä moottorilla käytetään. **Säilytä nämä alkuperäiset ohjeet tulevaa tarvetta varten.**

Huomio: Tämän ohjekirjan kuvat ja kuvitus ovat ainoastaan viitteellisiä. Ne voivat poiketa omasta mallistasi. Ota yhteys paikalliseen jälleenmyyjäsi, jos sinulla on kysymyksiä.

Saadaksesi varaosia tai teknistä apua, kirjoita moottorin malli, tyyppi ja koodinumerot sekä ostopäivä tähän. Nämä numerot löytyvät moottorista (katso kohta **Toiminnot ja hallintalaitteet**).

Ostopäivä	
Moottorin malli - Tyyppi - Varustelutaso	
Moottorin sarjanumero	

Etsi 2D-viivakoodi, joka on kiinnitetty joihinkin moottoreihin. 2D-lukulaitteella luettu koodi johtaa verkkosivullemme, missä voit tutustua tämän tuotteen tukitietoihin. Palvelusta veloitetaan datasiirtomaksu. Tukitietoja ei välttämättä ole saatavilla kaikkien maiden verkkosivuilla.



Kierrätysinformaatio

		Kaikki pakkausmateriaalit, käytetty öljy ja akut tulee kierrättää yleisten kierrätysohjeiden mukaisesti.
--	--	--

Käyttäjän turvallisuus

Varoitusmerkki ja varoitussanat

Hälytysmerkkiä käytetään osoittamaan turvallisuustietoja, joiden noudattamatta jättäminen voi aiheuttaa loukkaantumisen. Huomiosanaa (VAARA, VAROITUS tai HUOMIO) käytetään varoitusmerkin kanssa osoittamaan loukkaantumisen todennäköisyyttä ja vakavuuden astetta. Varoitusmerkkiä voidaan lisäksi käyttää edustamaan vaaran tyyppiä.

VAARA tarkoittaa vaaraa, joka toteutuessaan johtaa kuolemaan tai vakavaan vammaan.

VAROITUS tarkoittaa vaaraa, joka toteutuessaan saattaa johtaa kuolemaan tai vakavaan vammaan.

HUOMIO tarkoittaa vaaraa, joka toteutuessaan saattaa aiheuttaa lievän tai kohtalaisen vamman.

HUOMAUTUS tarkoittaa tilannetta, jossa laite voi vahingoittua.

Varoitusmerkit ja niiden selitykset

Symboli	Merkitys	Symboli	Merkitys
	Turvallisuustietoja vaaroista, jotka voivat johtaa henkilövahinkoihin.		Lue ja ymmärrä Käyttäjän käsikirja ennen laitteen käyttöä tai huoltoa.
	Tulipalon vaara		Räjähdyksivaara

Symboli	Merkitys	Symboli	Merkitys
	Iskun vaara		Myrkyllisten kaasujen vaara
	Kuumien pintojen vaara		Meluvaara - kuulosuojainten käyttö suositeltavaa pitkäaikaisessa käytössä.
	Lentävän esineen vaara - käytä suojalaseja.		Räjähdyksivaara
	Paleltumavaara		Takapotkun vaara
	Amputaatiovaara - liikkuvia osia		Kemiallinen vaara
	Lämpövaara		Syövyttävä

Turvallisuusviestit



VAROITUS

Tietyt laitteen ja sen lisävarusteiden komponentit sisältävät kemikaaleja, jotka Kalifornian osavaltion tietojen mukaan aiheuttavat syöpää, synnynnäisiä vaurioita tai muita lisääntymiseen liittyviä ongelmia. Pese kädet aina niiden käsittelyn jälkeen.



VAROITUS

Moottorin pakokaasu sisältää kemikaaleja, jotka Kalifornian osavaltion tietojen mukaan aiheuttavat syöpää, synnynnäisiä vaurioita tai muita lisääntymiseen liittyviä ongelmia.



VAROITUS

Briggs & Stratton-moottoreita ei ole suunniteltu käytettäväksi eikä niitä saa käyttää kartingautojen, lasten, vapaa-ajan tai urheilukäyttöön tarkoitettujen mönkijöiden, moottoripyörien, ilmatyynyalusten tai ilmailuvälineiden voimanlähteenä tai ajoneuvoissa, joita käytetään kilpailuissa, joita Briggs & Stratton ei ole hyväksynyt. Saat lisätietoja kilpailutuotteistamme osoitteesta www.briggsracing.com. Halutessasi tietoja käytöstä hyötyajoneuvoissa ja mönkijöissä, ota yhteys osoitteella Briggs & Stratton Engine Application Center, 1-866-927-3349. Moottorin epäasianmukainen käyttö saattaa johtaa vakavaan vammautumiseen tai kuolemaan.



VAROITUS



Polttoaine ja polttoainehöyryt ovat erittäin tulenarkoja ja räjähdysherkkiä.

Tulipalo tai räjähdys voi aiheuttaa vakavia palovammoja tai kuoleman.

Kun lisää polttoainetta säiliöön

- Sammuta moottori ja anna sen jäähtyä vähintään 2 minuutin ajan, ennen kuin avaat bensisäiliön korkin.
- Täytä tankki ulkona tai hyvin ilmastoidussa tilassa.
- Älä ylitä polttoainesäiliötä. Jotta polttoaine pääsee laajenemaan, älä täytä polttoainesäiliön kaulan alareunaa korkeammalle.
- Suojaa polttoaine kipinöiltä, avotulelta, sytytysliekiltä, lämmöltä ja muilta sytytyslähteiltä.
- Tarkista polttoaineputket, säiliö, korkki ja liitokset murtumien ja vuotojen varalta. Vaihda tarvittaessa.
- Jos polttoainetta läikkyi koneelle, odota sen haihtumista, ennen kuin käynnistät moottorin.

Moottorin käynnisty

- Varmista, että sytytystulppa, äänenvaimennin, polttoainekorkki ja ilmanpuhdistin (mikäli sellainen on) ovat paikoillaan ja kiinnitettyinä.
- Älä pyöritä moottoria sytytystulppa irrotettuna.
- Jos moottori tulvii, aseta rikastin (mikäli sellainen on) OPEN/RUN-asentoon (auki/käynnissä), siirrä kaasua (mikäli sellainen on) FAST-asentoon (nopea) ja pyöritä moottoria, kunnes se käynnistyy.

Kun käytät laitetta

- Älä kallista moottoria siten, että polttoainetta pääsee vuotamaan.
- Älä sammuta moottoria käyttämällä kuristinta.
- Älä koskaan käynnistä tai käytä moottoria ilmansuodatinelementti (mikäli käytössä) tai ilmansuodatin (mikäli käytössä) poistettuna.

Kun vaihdat öljyä

- Poistaessasi öljyn täyttöputken kautta, on polttoainesäiliön oltava tyhjä. Muussa tapauksessa polttoaine voi aiheuttaa valuessaan tulipalon tai räjähdys.

Laitteen kallistaminen huoltoa varten

- Tehdessäsi huoltotoimenpiteitä, jotka vaativat laitteen kallistamista, polttoainesäiliön on oltava tyhjä; muuten polttoainetta saattaa vuotaa ulos jolloin tuloksena voi olla tulipalo tai räjähdys.

Kun kuljetat laitetta

- Kuljeta tuotetta polttoainesäiliö TYHJENNETTYNÄ tai polttoaineen sulkuventtiili KIINNI-asennossa.

Polttoaineen tai laitteen varastoiminen, kun tankissa on polttoainetta

- Älä varastoi lämmityskattilan, uunin, vedenlämmittimen tai muun kipinän aikaansaavan laitteen läheisyyteen, sillä ne voivat sytyttää polttoaineen höyrystyvät kaasut.



VAROITUS

Moottorin käynnistyksessä syntyy kipinöitä.

Kipinöinti voi sytyttää lähistöllä sijaitsevan palavan kaasun.

Tuloksena voi olla räjähdys ja tulipalo.

- Jos käyttöalueella on maa- tai nestekaasuvuoto, älä käynnistä moottoria.
- Älä käytä paineistettuja käynnistysapuneiteitä, koska niiden höyryt sytyvät herkästi.



VAROITUS

MYRKYLLISEN KAASUN VAARA. Moottorin pakokaasu sisältää häkää, joka on myrkyllistä ja tappaa ihmisen muutamassa minuutissa. Häkä EI näy, haise eikä tunnu. Vaikka et haistaisikaan pakokaasun hajua, voit altistua hälle. Jos sinua alkaa oksettaa, huimata, tai tunnet olosi heikoksi laitetta käyttäessäsi, hakeudu raittiiseen ilmaan VÄLITTÖMÄSTI. Hakeudu lääkärin hoitoon. Sinulla voi olla häkämyrkytys.

- Tätä laitetta saa käyttää VAIN ulkotiloissa, kaukana ikkunoista, ovista tai tuuletusaukoista. Näin vähennetään hiilimonoksidin kerääntymisen vaaraa ja sen mahdollista joutumista tiloihin, joissa oleskellaan.
- Asenna paristokäyttöiset häikävaroitimet tai verkkokäyttöiset ja paristovarmenteiset häikävaroitimet valmistajan ohjeiden mukaan. Savuhälyttimet eivät havaitse häkää.
- Laitetta EI SAA käyttää kotona sisällä, autotallissa, kellarissa, ryömintätiloissa, vajoissa ja varastoissa tai muissa osittain suljetuissa tiloissa, vaikka niissä olisikin tuulettimia tai avoimia ovia ja ikkunoita ilmanvaihtoa varten. Häkä saattaa kerääntyä tällaisiin tiloihin nopeasti ja säilyä siellä tuntikausia laitteen sammuttamisen jälkeenkin.
- Laitte tulee AINA asettaa siten, että se on tuulen alapuolella ja että pakoputki osoittaa pois päin tiloista, joissa oleskellaan.



VAROITUS

Väärästä käynnistystavasta johtuva takapotku vetää köyttä takaisin moottoriin päin nopeammin kuin ehdit laskea kahvasta irti.

Seurauksena voi olla luunmurtumia, mustelmia tai venähdyksiä.

- Oikea tapa käynnistää moottori ja välttää takapotku, on vetää köydestä hitaasti, kunnes vastus tuntuu, ja sitten vetää nopeasti.

- Kytke pois kaikki ylimääräinen moottorin tai laitteen kuormitus käynnistyksen ajaksi.
- Kaikki suoraan kytketyt komponentit, kuten esimerkiksi terät, tuulettimet, juoksupyörät, hihnapyörät, ketjupyörät, tms. tulee olla tiukasti kiinnitettyinä.



VAROITUS

Pyörivät osat voivat osua käsiin, jalkoihin, hiuksiin, vaatteisiin tai lisäasusteisiin tai kietoutua niihin.

Tästä voi seurata vakavia silpoutumia tai haavoittumista.

- Käytä laitetta aina kaikki suojukset paikallaan.
- Pidä kädet ja jalat pois pyörivistä osista.
- Sido pitkät hiukset ja riisu korut.
- Älä käytä liian väljiä vaatteita, varo sitomattomia, roikkuvia nauhoja tai muita helposti tarttuvia vaatekappaleita.



VAROITUS

Moottorin käydessä syntyy lämpöä. Moottorin osat, erityisesti äänenvaimennin, tulevat erittäin kuumiksi.

Niihin koskettaminen voi aiheuttaa vakavia palovammoja.

Palavat jätteet, kuten lehdet, ruoho tai pensaat, voivat syttyä tuleen.

- Anna äänenvaimentimen, moottorin sylinterin ja ripojen jäähtyä ennen niihin koskemista.
- Poista kerääntyneet roskat äänenvaimentimen ja sylinterin läheltä.
- Kalifornian Luonnonvaralain 4442 §:n mukaan on kiellettyä käyttää tai ajaa laitetta metsä-, pensas- tai ruohopeitteisellä maalla tai sellaisen lähellä, ellei pakojärjestelmään ole asennettu 4442 §:n mukaista toimintakuntoista kipinäsuojaa. Muissa osavaltioissa tai liittovaltion alueella voi olla voimassa samanlaisia lakeja. Ota yhteys alkuperäisen laitteen valmistajaan, jälleenmyyjään tai vähittäiskauppiaseen saadaksesi tälle moottorille suunniteltuun pakokaasujärjestelmään sopivan kipinänsammuttimen.



VAROITUS

Tahaton kipinöinti voi sytyttää tulipalon tai aiheuttaa sähköiskun.

Tahaton käynnistyminen voi johtaa jäsenen tarttumiseen, irtoamiseen tai vakavaan vahingoittumiseen.

Tulipalon vaara

Ennen säätöjä tai korjauksia:

- Irrota sytytystulpan johto ja pidä se kaukana sytytystulpasta.
- Irrota akun kaapeli miinusnavasta (-) (vain sähkökäynnisteiset mallit).
- Käytä ainoastaan oikeita työkaluja.
- Älä peukaloi kierroslukurajoittimen joustaa, vivustoa tai muita osia lisätäkseen moottorin käyntinopeutta.
- Varaosien on oltava samanlaisia ja ne on asennettava samaan asentoon kuin alkuperäisetkin osat. Muut osat eivät välttämättä toimi yhtä tehokkaasti ja voivat vahingoittaa laitetta ja aiheuttaa loukkaantumisia.
- Älä lyö vauhtipyörää vasaralla tai kovalla esineellä, koska vauhtipyörä voi hajota pirstaleiksi myöhemmin käytön aikana.

Kun testaat toimivuutta:

- Käytä hyväksyttyä sytytystulpan testeriä.
- Älä tarkista kipinöintiä sytytystulpan ollessa irti.

Toiminnot ja hallintalaitteet

Moottorin hallintalaitteet

Vertaa kuvitusta (kuva: 1, 2) ja omaa moottoriaasi samanaikaisesti tutustuaksesi moottorin eri ominaisuuksiin ja säätimiin.

- Moottorin tunnistenumerot **Malli- Tyyppi- Koodi**
- Sytytystulppa
- Ilmanpuhdistin, matala

- D. Mittatikka
 E. Öljyntäyttöaukko
 F. Öljysuodatin
 G. Öljynpoistoaukon tulppa
 H. Öljynpaineanturi
 I. Ilmanottoaukon ritilä
 J. Sähkökäynnistin
 K. Käynnistinsolenoidi
 L. Säädin/tasasuunnin
 M. Öljynjäähdytin (mikäli käytössä)
 N. Äänenvaimennin (mikäli käytössä)
 O. Polttoainepumppu
 P. Käynnistinvipu ¹
 Q. Kuristimen säädin - kaasutinmallit ¹
 R. Polttoainesuodatin (mikäli käytössä)

¹ Joissakin moottoreissa tai laitteissa saattaa olla kauko-ohjaimia. Tarkista kauko-ohjainten sijainti ja toiminta laitteen käsikirjasta.

Moottorin hallintalaitteiden symbolit ja niiden selitykset

Symboli	Merkitys	Symboli	Merkitys
	Moottorin käyntinopeus - NOPEA		Moottorin käyntinopeus - HIDAS
	Moottorin käyntinopeus - SEIS		ON - OFF
	Moottorin käynnistys - rikastin KIINNI		Moottorin käynnistys - rikastin AUKI
	Polttoainesäiliön korkki Polttoaineen sulkuventtiili - AUKI		Polttoaineen sulkuventtiili - KIINNI
	Polttoaineen määrä - maksimi Älä ylitä		

Käyttö

Öljyä koskevat suositukset

Öljytilavuus: Katso *Tekniset tiedot* -osio.

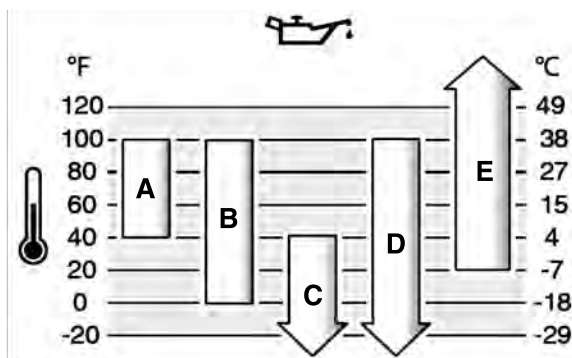
HUOMAA

Tämä moottori on lähetetty Briggs & Strattonin tehtaalta sisältämättä öljyä. Laittevalmistajat tai -myyjät ovat saattaneet lisätä moottoriin öljyä. Muista tarkistaa öljyn määrä ja lisää öljyä tämän ohjekirjan ohjeiden mukaan ennen kuin käynnistät moottorin ensi kertaa. Jos moottori käynnistetään ilman öljyä, se vaurioituu korjauskelvottomaksi, eikä takuu korvaa sitä.

Suosittelomme käyttämään Briggs & Stratton -takuun sertifioimia öljyjä parhaan suorituskyvyn takaamiseksi. Muita korkealaatuisia, puhdistavia öljyjä voidaan käyttää, jos ne täyttävät SF-, SG-, SH-, SJ- tai korkeammat luokitukset. Älä käytä erikoislisäaineita.

Ulkoilman lämpötila määrittää moottoriöljyn oikean viskositeetin. Hyödynnä taulukkoa valitaksesi parhaan viskositeetin odotetuille ulkoilmalämpötiloille. Useimpien ulkokäyttöön tarkoitettujen laitteiden moottorit toimivat hyvin synteettisellä 5W-30 -viskositeetin öljyllä.

Korkeissa lämpötiloissa käytettäviin laitteisiin parhaan suojan tarjoaa synteettinen Vanguard™ 15W-50 -öljy.



A	SAE 30 - Alle 4 °C (40 °F) lämpötiloissa SAE 30 -viskositeetin öljyn käyttäminen johtaa huonoon käynnistyvytyteen.
B	10W-30 - Yli 27 °C (80 °F) lämpötilassa 10W-30 -viskositeettisen öljyn kulutus voi lisääntyä. Tarkista öljyn määrä tavallista useammin.
C	5W-30
D	Synteettinen 5W-30
E	Vanguard™ synteettinen 15W-50

Tarkasta öljytaso

Katso kuva: 3

Ennen öljyn lisäämistä tai tarkistamista

- Varmista, että moottori on vaakasuorassa.
- Puhdista öljyntäyttöalueelta kaikki roskat.

1. Poista mittatikka (A, kuva 3) ja pyyhi se puhtaalla kankaalla.
2. Asenna mittatikka (A, kuva 3) paikalleen.
3. Irrota mittatikka ja tarkasta öljytaso. Öljytaso on oikea, kun öljy ulottuu mittatikun täyttätasoa osoittavan merkin yläosaan (B, kuva 3).
4. Jos öljytaso on alhainen, lisää öljyä hitaasti moottorin täyttöaukkoon (C, kuva 3). **Älä täytä liikaa.** Odota lisäyksen jälkeen minuutti ja tarkasta öljytaso uudelleen.
5. Asenna mittatikka (A, kuva 3) paikalleen.

Alhaisen öljymäärän ilmoitusjärjestelmä (mikäli sellainen on)

Joissakin moottoreissa on anturi, joka varoittaa alhaisesta öljymäärästä. Jos öljymäärä on alhainen, anturi aktivoi varoitusvalon tai sammuttaa moottorin. Sammuta moottori ja noudata oheisia ohjeita ennen kuin käynnistät moottorin uudelleen.

- Varmista, että moottori on vaakasuorassa.
- Tarkasta öljytaso. Katso kohta **Tarkasta öljytaso**.
- Jos öljytaso on alhainen, lisää sopiva määrä öljyä. Käynnistä moottori ja varmista, että varoitusvalo (mikäli sellainen on) ei pala.
- Jos öljytaso ei ole alhainen, älä käynnistä moottoria. Pyydä Briggs & Strattonin valtuutetulta vähittäismyymälältä lisätietoja öljyongelman ratkaisemiseksi.

Polttoainesuosituksukset

Polttoaineen on täytettävä seuraavat vaatimukset:

- Puhdas, tuore, lyijytön bensiini.
- Vähintään 87-oktaaninen / 87 AKI (91 RON). Korkean ilmanalan käyttö, katso alempana annettavat ohjeet.
- Enintään 10 % etanolia sisältävä bensiini hyväksytään polttoaineeksi.

HUOMAA Älä käytä bensiiniä, joka ei täytä näitä vaatimuksia, esim. E15 tai E85. Älä sekoita öljyä bensiiniin äläkä muuta moottoria muille polttoaineille. Muiden kuin suositusten mukaisten polttoaineiden käyttö vahingoittaa moottorin osia eikä takuu korvaa vahinkoja.

Suojaa polttoainejärjestelmä sakan muodostumiselta sekoittamalla polttoaineeseen stabilointiainetta. Katso **Varastointi**. Kaikki polttoaineet eivät ole samanlaisia. Vaihda polttoaineen toimittajaa tai merkkiä, jos moottorin käynnistyksessä tai suorituskyvyssä on ongelmia. Tämä moottori on hyväksytty toimimaan bensiinillä. Tämän moottorin pakokaasupäästöjen rajoitusjärjestelmä on EM (Moottorin modifikaatiot).

Korkea ilmanala

Yli 1 524 metrin (5 000 jalan) korkeudessa on käytettävä vähintään 85-oktaanista/85 AKI (89 RON) polttoainetta.

Kaasutinmoottoreille on suoritettava korkean ilmanalan säätö suorituskyvyn ylläpitämiseksi. Käyttö ilman korkean ilmanalan säätöä heikentää suorituskykyä, lisää polttoaineen kulutusta sekä päästöjä. Saat Briggs & Strattonin valtuutetulta vähittäismyyjältä lisätietoja korkean paikan säädöistä. Korkean paikan sarjaa ei suositella käytettäväksi, mikäli moottoria käytetään alle 762 metrin (2 500 jalan) korkeudessa.

Elektronisella polttoaineen ruiskutusjärjestelmällä (EFI) varustetuille moottoreille ei tarvitse suorittaa korkean ilmanalan säätöä.

Polttoaineen lisääminen

Katso kuva: 4



Polttoaine ja polttoainehöyryt syttyvät erittäin herkästi ja ovat räjähdysherkkiä.

Tulipalot ja räjähdys saattaa aiheuttaa vakavia palovammoja tai kuoleman.

Kun lisää polttoainetta säiliöön

- Sammuta moottori ja anna sen jäähtyä vähintään 2 minuutin ajan, ennen kuin avaat bensiinisäiliön korkin.
 - Täytä tankki ulkona tai hyvin ilmastoidussa tilassa.
 - Älä ylitä polttoainesäiliötä. Jotta polttoaine pääsee laajenemaan, älä täytä polttoainesäiliön kaulan alareunaa korkeammalle.
 - Suojaa polttoaine kipinöiltä, avotulelta, sytytysliekeiltä, lämmöltä ja muilta sytytyslähteiltä.
 - Tarkista polttoaineputket, säiliö, korkki ja liitokset murtumien ja vuotojen varalta. Vaihda tarvittaessa.
 - Jos polttoainetta läikkyy koneelle, odota sen haihtumista, ennen kuin käynnistät moottorin.
1. Puhdista lika ja roskat polttoainesäiliön korkin ympäriltä. Irrota polttoainesäiliön korkki.
 2. Täytä polttoainesäiliö (A, kuva 4) polttoaineella. Jotta polttoaine pääsee laajenemaan, älä täytä polttoainesäiliön kaulan alareunaa korkeammalle (B).
 3. Kierrä korkki takaisin paikalleen.

Moottorin käynnistäminen ja sammuttaminen

Katso kuva: 5

Moottorin käynnistys



Polttoaine ja polttoainehöyryt ovat erittäin tulenarkoja ja räjähdysherkkiä.

Tulipalo tai räjähdys voi aiheuttaa vakavia palovammoja tai kuoleman.

Kun käynnistät moottoria

- Varmista, että sytytystulppa, äänenvaimennin, polttoainekorkki ja ilmanpuhdistin (mikäli sellainen on) ovat paikoillaan ja kiinnitettynä.
- Älä pyöritä moottoria sytytystulppa irrotettuna.
- Jos moottori tulvii, aseta rikastin (mikäli sellainen on) OPEN/RUN-asentoon (auki/käynnissä), siirrä kaasu (mikäli sellainen on) FAST-asentoon (nopea) ja pyöritä moottoria, kunnes se käynnistyy.



MYRKYLLISEN KAASUN VAARA. Moottorin pakokaasu sisältää hääkää, joka on myrkyllistä ja tappaa ihmisen muutamassa minuutissa. Häkä EI näy, haise eikä maistu. Vaikka et haistaisikaan pakokaasun hajua, voit altistua häälle. Jos tunnet olosi huonovointiseksi tai sinua huimaa tai heikottaa käyttäessäsi tätä laitetta, sammuta se VÄLITTÖMÄSTI ja hakeudu heti raikkaaseen ulkoilmaan. Hakeudu lääkärin hoitoon. Sinulla voi olla hääkämyrkytys.

- Tätä laitetta saa käyttää VAIN ulkotiloissa, kaukana ikkunoista, ovista tai tuuletusaukoista. Näin vähennetään hiilimonoksidin kerääntymisen vaaraa ja sen mahdollista joutumista tiloihin, joissa oleskellaan.
- Asenna paristokäyttöiset hääkävaroittimet tai verkkokäyttöiset ja paristovarmenteiset hääkävaroittimet valmistajan ohjeiden mukaan. Savuhälyttimet eivät havaitse hääkää.

- Laitetta EI SAA käyttää sisällä kodeissa, autotalleissa, kellareissa, ryömintätiloissa, vajoissa, varastoissa tai muissa osittain suljetuissa tiloissa, vaikka niissä olisikin tuulettimia tai avoimia ovia ja ikkunoita ilmanvaihtoa varten. Häkä saattaa kerääntyä tällaisiin tiloihin nopeasti ja säilyä siellä tuntikausia laitteen sammuttamisen jälkeenkin.
- Aseta laite AINA siten, että se on tuulen alapuolella ja että pakoputki osoittaa pois päin tiloista, joissa oleskellaan.

HUOMAA Tämä moottori on lähetetty Briggs & Strattonin tehtaalta sisältämättä öljyä. Muista ennen moottorin käynnistämistä lisätä öljyä tämän ohjekirjan ohjeiden mukaan. Jos moottori käynnistetään ilman öljyä, se vaurioituu, eikä sitä voi enää korjata. Takuu ei korvaa sitä.

Käynnistysjärjestelmän selvittäminen

Ennen moottorin käynnistämistä on otettava selvää, millainen käynnistysjärjestelmä moottorissa on. Moottorissa on jompikumpi seuraavista järjestelmistä.

- **Elektroninen polttoaineen ruiskutusjärjestelmä (EFI, Electronic Fuel Injection):** Tässä on elektroninen polttoaineen ruiskutus. Siinä ei ole rikastinta tai primerpumpua.
- **Rikastinjärjestelmä:** Tässä on rikastin käytettäväksi laitetta käynnistettäessä matalissa lämpötiloissa. Joissakin malleissa on erillinen rikastimen säädin kun taas toisissa yhdistetty rikastin ja kaasusäädin. Tässä mallissa ei ole primerpumpua.

Huomio: Laite saattaa olla varustettu etäohjaimilla. Tarkista etäohjainten sijainti ja toiminta laitteen käyttöoppaasta.

Elektroninen polttoaineenruiskutusjärjestelmä (EFI)

1. Tarkasta moottoriöljy. Katso kohta **Öljytason tarkastaminen**.
2. Varmista, että laitteen voimansiirron säätölaitteet, mikäli käytössä, ovat vapaalla.
3. Siirrä polttoaineen sulkuventtiili (A, kuva 5), mikäli käytössä, OPEN-asentoon.
4. Siirrä kaasuvipu SLOW-asentoon.
5. Työnnä pysäytyskytkin (D, kuva 5), mikäli käytössä, ON-asentoon.
6. Käännä sähkökäynnistimen kytkin (E, kuva 5) ON- tai START-asentoon.

HUOMAA Voit pidentää käynnistimen käyttöaikaa käynnistämällä moottoria vain lyhyitä jaksoja (korkeintaan viisi sekuntia kerralla). Pidä minuutin tauko käynnistysyritysten välillä.

Huomio: Mikäli moottori ei käynnisty useamman yrityksen jälkeen, ota yhteys paikalliseen jälleenmyyjään tai katso ohjeet sivulta VanguardEngines.com tai soita numeroon **1-800-999-9333** (Yhdysvalloissa).

Kuristinjärjestelmä

1. Tarkasta moottoriöljy. Katso kohta **Öljytason tarkastaminen**.
2. Varmista, että laitteen voimansiirron säätölaitteet, mikäli käytössä, ovat vapaalla.
3. Siirrä polttoaineen sulkuventtiili (A, kuva 5), mikäli käytössä, OPEN-asentoon.
4. Siirrä kaasuvipu FAST-asentoon.
5. Vedä kuristimen säädin (C, kuva 5), mikäli käytössä, CLOSED-asentoon.

Huomio: Kun käynnistetään moottoria, jonka polttoainejärjestelmä on kuiva (käynnistys ensimmäisen kerran tai polttoaineen loppumisen jälkeen), tarvitaan pitempi käynnistysaika rikastusasennossa. Näin polttoainepumpulla on aikaa ryyppytää polttoainejärjestelmä.

6. Työnnä pysäytyskytkin (D, kuva 5), mikäli käytössä, ON-asentoon.
7. Käännä virta-avain (E, kuva 5) ON- tai START-asentoon.
8. Jos kone käynnistyy muttei jatka käymistä, käynnistä moottori siirtämällä rikastimen ohjausvipu (C, kuva 5) OPEN-asentoon.

HUOMAA Voit pidentää käynnistimen käyttöaikaa käynnistämällä moottoria vain lyhyitä jaksoja (korkeintaan viisi sekuntia kerralla). Pidä minuutin tauko käynnistysyritysten välillä.

9. Kun moottori on lämmennyt, työnnä rikastimen ohjausvipu (C, kuva 5) OPEN-asentoon.

Huomio: Mikäli moottori ei käynnisty useamman yrityksen jälkeen, ota yhteys paikalliseen jälleenmyyjään tai katso ohjeet sivulta VanguardEngines.com tai soita numeroon **1-800-999-9333** (Yhdysvalloissa).

Sammuta moottori



VAROITUS

Polttoaine ja polttoainehöyryt syttyvät erittäin herkästi ja ovat räjähdysherkkiä.

Tulipalot ja räjähdys saattavat aiheuttaa vakavia palovammoja tai kuoleman.

- Älä sammuta moottoria käyttämällä kuristinta, mikäli sellainen on käytössä.
1. **Sammutuskatkaisin, mikäli käytössä:** Työnnä sammutuskatkaisin (D, kuva 5) OFF-asentoon.
Virta-avain, mikäli käytössä: Kun kaasuvipu on hitaan ajon asennossa, käännä virta-avain (E, kuva 5) OFF-asentoon. Irrota avain ja pidä se turvallisessa paikassa poissa lasten ulottuvilta.
 2. Kun moottori on sammunut, työnnä polttoaineen sulkuventtiili (A, kuva 5), mikäli käytössä, CLOSED-asentoon.

Huolto

HUOMAA Jos moottori kallistetaan huollon ajaksi, moottoriin kiinnitetyn polttoainesäiliön on oltava tyhjä ja sytytystulpan puolen on oltava ylöspäin. Jollei polttoainesäiliö ole tyhjä ja moottoria kallistetaan muuhun suuntaan, käynnistys voi vaikeutua, koska öljy tai bensiini voi liata ilmanpuhdistimen ja/tai sytytystulpan.



VAROITUS

Tehdessäsi huoltotoimenpiteitä, jotka vaativat laitteen kallistamista, polttoainesäiliön on oltava tyhjä tai polttoainetta saattaa vuotaa ulos jolloin tuloksena voi olla tulipalo tai räjähdys.

Suosittelemme, että otat yhteyttä mihin tahansa valtuutettuun Briggs & Stratton -huoltoliikkeeseen kaikissa moottoreiden huoltoja ja korjausta ja moottoreiden varaosia koskevilla kysymyksissä.

HUOMAA Kaikkien tämän moottorin valmistuksessa käytettyjen osien on oltava paikoillaan, jotta moottori toimisi kunnolla.



VAROITUS

Hallitsematon kipinäntoimi voi aiheuttaa tulipalon tai sähköiskun.

Tahaton käynnistyminen voi johtaa takertumiseen, traumaattiseen amputaatioon tai haavautumiseen.

Tulipalon vaara

Ennen säätö- tai korjaustoimenpiteitä:

- Irrota sytytystulpan johto ja pidä se kaukana sytytystulpasta.
- Irrota akun negatiivinen kaapeli (vain sähkökäynnistimellä varustetut moottorit).
- Käytä ainoastaan oikeita työkaluja.
- Älä koske keskipakosäätimen jouseen, niveliin tai muihin osiin moottorin nopeuden lisäämiseksi.
- Varaosien on oltava samanlaisia ja ne on asennettava samaan asentoon kuin alkuperäisetkin osat. Muut osat eivät välttämättä toimi yhtä tehokkaasti ja voivat vahingoittaa laitetta ja aiheuttaa loukkaantumisia.
- Älä lyö vauhtipyörää vasaralla tai kovalla esineellä, koska vauhtipyörä voi hajota pirstaleiksi myöhemmin käytön aikana.

Sytytyskipinän testaaminen:

- Käytä hyväksyttyä sytytystulpan testeriä.
- Älä tarkista kipinäntoimiä sytytystulpan ollessa irti.

Päästöjenrajoitusjärjestelmän huolto

Päästöjenrajoitusjärjestelmän laitteiden ja osien huollon, vaihdon tai korjauksen voi suorittaa mikä tahansa työkonemootoreiden korjausliike tai yksityinen korjaaja. Pakokaasupäästöjen tarkastus on kuitenkin ilmainen vain, jos työn suorittaa tehtaan valtuuttama jälleenmyyjä. Katso päästöjen rajoitusta koskevat lauselmät.

Huoltoaikataulu

8 tunnin välein tai päivittäin

- Tarkista moottorin öljytaso
- Puhdista äänenvaimentimen ja säätimien ympäristö

Joka 100. tunti tai vuosittain

- Vaihda sytytystulppa
- Vaihda moottoriöljy
- Vaihda öljynsuodatin (mikäli käytössä)
- Puhdista ilmansuodatin ¹
- Puhdista esipuhdistin (mikäli käytössä) ¹
- Pakojärjestelmän huolto

250 käyttötunnin jälkeen

- Tarkista venttiilivällys. Säädä tarvittaessa.

Joka 400. tunti tai vuosittain

- Vaihda ilmansuodatin
- Vaihda polttoaineensuodatin
- Huolla jäähdytysjärjestelmä ¹
- Puhdista öljynjäähdyttimen lamellit ¹

¹ Puhdista useammin pölyisissä tai roskaisissa olosuhteissa.

Kaasutin ja moottorin käyntinopeus

Älä koskaan tee säätöjä kaasuttimeen tai moottorin kierrosalueeseen. Kaasutin on säädetty tehtaalla toimimaan tehokkaasti yleisimmässä olosuhteissa. Älä peukaloiki kierrosrajoittimen joustaa, vivustoa tai muita osia muuttaaksesi moottorin käyntinopeutta. Jos moottoriin on tehtävä mitään tahansa säätöjä, ota yhteys valtuutettuun Briggs & Stratton -huoltoliikkeeseen.

HUOMAA Laitevalmistaja määrittää laitteeseen asennetun moottorin enimmäiskäyntinopeuden. Älä ylitä tätä nopeutta. Jos et tiedä varmasti moottorin enimmäiskäyntinopeutta tai tehdasasetteista käyntinopeutta, ota yhteys valtuutettuun Briggs & Stratton -huoltoliikkeeseen. Laitteen turvallisen ja oikean toiminnan varmistamiseksi moottorin käyntinopeuden saa säätää ainoastaan valtuutettu huoltoteknikko.

Huolla sytytystulpat

Katso kuva 6.

Tarkista rako (A, kuva 6) lankatulkilla (B). Säädä rako tarvittaessa uudelleen. Asenna ja kiristä sytytystulppa suositeltuun momenttiin. Katso rakoa ja kiristysmomenttia koskevat tiedot kohdasta **Tekniset tiedot**.

Huomio: Eräissä maissa laki vaatii vastussytytystulppien käyttämistä sytytyksestä aiheutuvien häiriöiden vaimentamiseksi. Jos moottorissa on alun perin vastussytytystulppa, käytä samantyyppistä tulppaa myös jatkossa.

Pakokaasujärjestelmän huoltaminen



VAROITUS

Moottorin käydessä syntyy lämpöä. Moottorin osat, erityisesti vaimennin, tulevat erittäin kuumiksi.

Osien koskettaminen saattaa aiheuttaa vakavia palovammoja.

Syttyvät roskat, kuten lehdet, ruoho, jne. saattavat syttyä palamaan.

- Anna vaimentimen, moottorin sylinterin ja jäähdytysriipojen jäähtyä ennen niihin koskemista.
- Poista kerääntyneet roskat vaimentimen ja sylinterin läheltä.
- Kalifornian luonnonvaralain 4442 §:n mukaan on kiellettyä käyttää tai ajaa laitetta metsä-, pensas- tai ruohopeitteisellä maalla tai sellaisen lähellä, ellei pakojärjestelmään ole asennettu 4442 §:n mukaista toimintakuntoista kipinäsuojaa. Muissa osavaltioissa tai eri liittovaltioiden alueilla voi olla voimassa samanlaisia lakeja. Ota yhteys alkuperäisen laitteen valmistajaan, jälleenmyyjään tai vähittäiskauppiaseen saadaksesi tälle moottorille suunniteltuun pakokaasujärjestelmään sopivan kipinänsammuttimen.

Poista kerääntyneet roskat vaimentimen ja sylinterin läheltä. Tarkasta äänenvaimentimen halkeamat, syöpyminen tai muut vauriot. Poista kipinäsuojus, jos varusteena, ja tarkasta vaurioiden tai hiilitukoksen varalta. Jos vaurioita löytyy, asenna varaosat ennen käyttöä.



VAROITUS

Varaosien on oltava samanlaisia ja ne on asennettava samaan asentoon kuin alkuperäisetkin osat. Muut osat eivät välttämättä toimi yhtä tehokkaasti ja voivat vahingoittaa laitetta ja aiheuttaa loukkaantumisia.

Vaihda moottoriöljy

Katso kuva: 7, 8, 9

Käytetty öljy on ongelmajätettä, ja se on toimitettava käsiteltäväksi asianmukaisesti. Älä hävitä sitä talousjätteen joukossa. Tarkista paikallisilta jätehuoltoviranomaisilta, huollosta tai jälleenmyyjältä, miten öljy voidaan hävittää/kierrättää turvallisesti.

Öljyn poistaminen

1. Kun moottori on vielä lämmin, irrota sytytystulpan johto (D, kuva 7) ja vie se pois sytytystulpan (E) luota.
2. Poista mittatikku (A, kuva 8).
3. Irrota öljynpoistoaukon tulppa (F, kuva 9). Valuta öljy hyväksytyyn säiliöön.
4. Kun öljysäiliö on tyhjentynyt, asenna öljyntäyttöaukon tulppa (F, kuva 9) paikalleen ja kiristä tiukalle.

Vaihda öljynsuodatin, mikäli käytössä

Joissakin moottoreissa on öljynsuodatin. Katso vaihtoväli **Huoltokaaviosta**.

1. Tyhjennä öljy moottorista. Katso luku **Öljyn poisto**.
2. Irrota öljynsuodatin (G, kuva 9) ja hävitä se oikein.
3. Ennen kuin asennat uuden öljynsuodattimen, voitele öljynsuodattimen tiiviste kevyesti tuoreella öljyllä.
4. Kiristä öljynsuodatin käsin, kunnes tiiviste ottaa kiinni soviteeseen, ja kiristä suodatinta sitten vielä 1/2 - 3/4 kierrosta.
5. Öljyn lisääminen. Katso luku **Öljyn lisääminen**.
6. Käynnistä moottori ja pidä se käynnissä. Tarkista, esiintyykö öljyvuoja, kun moottori lämpenee.
7. Sammuta moottori ja tarkasta öljytaso. Öljytaso on oikea, kun öljy ulottuu mittatikuun täyttätasoa osoittavan merkin yläosaan (B, kuva 8).

Öljyn lisääminen

- Varmista, että moottori on vaakasuorassa.
- Puhdista öljyntäyttöalueelta kaikki roskat.
- Katso öljytilavuus luvusta **Tekniset tiedot**.

1. Poista mittatikku (A, kuva 8) ja pyyhi se puhtaalla kankaalla.
2. Valuta öljyä hitaasti moottorin täyttöaukkoon (C, kuva 8). **Älä täytä liikaa.** Odota lisäyksen jälkeen minuutti ja tarkasta öljytaso uudelleen.
3. Asenna ja kiristä mittatikku (A, kuva 8).
4. Irrota mittatikku ja tarkasta öljytaso. Öljytaso on oikea, kun öljy ulottuu mittatikuun täyttätasoa osoittavan merkin yläosaan (B, kuva 8).
5. Asenna ja kiristä mittatikku uudelleen (A, kuva 8).
6. Kytke sytytystulpan johto/johdot (D, kuva 7) sytytystulppaan/-tulppiin (E).

Huolla ilmanpuhdistin

Katso kuva: 10



VAROITUS



Polttoaine ja polttoainehöyryt syttyvät erittäin herkästi ja ovat räjähdysherkkiä.

Tulipalot ja räjähdys saattavat aiheuttaa vakavia palovammoja tai kuoleman.

- Älä koskaan käynnistä tai käytä moottoria, jos ilmanpuhdistin (mikäli käytössä) tai ilmansuodatin (mikäli käytössä) on irrotettu.

HUOMAA Älä käytä suodattimen puhdistamiseen paineilmaa äläkä liuottimia. Paineilma voi vahingoittaa suodatinta ja liuottimet sulattavat sen.

Katso huoltovaatimukset **huoltokaaviosta**.

Ilmansuodatinjärjestelmässä käytetään paperisuodatinta, jonka lisäksi voidaan käyttää lisävarusteena esipuhdistinta. Esipuhdistin voidaan pestä ja käyttää uudelleen.

1. Irrota kiinnikkeet (A, kuva 10).
2. Irrota kansi (B, kuva 10).
3. Irrota kiinnikkeet (C, kuva 10) ja kiinnitin (D).
4. Irrota ilmansuodatin (E, kuva 10).
5. Irrota esipuhdistin (F, kuva 10), mikäli käytössä, ilmansuodattimesta (E).
6. Irrota roskat napauttamalla varovasti ilmansuodatinta (E, kuva 10) kovaa pintaa vasten. Vaihda erityisen likainen suodatin uuteen.
7. Pese esipuhdistin (F, kuva 10), mikäli käytössä, nestemäisellä pesuaineella ja vedellä. Anna esipuhdistimen kuivua perusteellisesti. **Älä** öljyä esipuhdistinta.
8. Kokoa kuiva esipuhdistin (F, kuva 10), mikäli käytössä, ilmansuodattimeen (E).
9. Asenna ilmansuodatin (E, kuva 10) ja kiinnitä se kiinnittimellä (D) ja kiinnikkeillä (C).
10. Asenna kansi (B, kuva 10) paikalleen ja kiinnitä kiinnittimillä. (A). Varmista, että kiinnittimet ovat tiukalla.

Polttoainejärjestelmän huolto

Katso kuva: 11



VAROITUS



Polttoaine ja polttoainehöyryt ovat erittäin tulenarkoja ja räjähdysherkkiä.

Tulipalo tai räjähdys voi aiheuttaa vakavia palovammoja tai kuoleman.

- Suojaa polttoaine kipinöiltä, avotulelta, sytytysliekiltä, lämmöltä ja muilta sytytyslähteiltä.
- Tarkista polttoaineputket, säiliö, korkki ja liitokset murtumien ja vuotojen varalta. Vaihda tarvittaessa.
- Ennen polttoainesuodattimen puhdistamista tai vaihtamista, tyhjennä polttoainesäiliö tai sulje polttoaineen sulkuventtiili.
- Jos polttoainetta läikkyä koneelle, odota sen haihtumista, ennen kuin käynnistät moottorin.
- Varaosien tulee olla oikean tyyppisiä ja ne on asennettava samaan asentoon kuin alkuperäisosat.

Polttoainesuodatin, mikäli käytössä

1. Ennen polttoainesuodattimen vaihtamista (A, kuva 11), mikäli sellainen on, tyhjennä polttoainesäiliö tai sulje polttoaineen sulkuventtiili. Muussa tapauksessa polttoainetta saattaa vuotaa ulos ja aiheuttaa tulipalon tai räjähdysriskin.
2. Käytä pihtejä puristaaksesi kielekkeitä (B, kuva 11) jotka ovat kiristimissä (C), ja liu'uta sitten kiristimet pois polttoainesuodattimelta (A). Käännä ja vedä polttoaineletkut (D) irti polttoainesuodattimesta.
3. Tarkista polttoaineletkut (D, kuva 11) halkeamien ja vuotojen varalta. Vaihda tarvittaessa.
4. Vaihda polttoainesuodatin (A, kuva 11) uuteen alkuperäissuodattimeen.
5. Varmista polttoaineletkut (D, kuva 11) kiristimillä (C) kuvastusti.

Jäähdytysjärjestelmän huoltaminen



VAROITUS



Moottorin käydessä syntyy lämpöä. Moottorin osat, erityisesti vaimennin, tulevat erittäin kuumiksi.

Osien koskettaminen saattaa aiheuttaa vakavia palovammoja.

Syttyvät roskat, kuten lehdet, ruoho, jne. saattavat syttyä palamaan.

- Anna vaimentimen, moottorin sylinterin ja jäähdytysripien jäähtyä ennen niihin koskemista.
- Poista kerääntyneet roskat vaimentimen ja sylinterin läheltä.

HUOMAA Älä puhdista moottoria vedellä. Vesi saattaa tunkeutua polttoainejärjestelmään. Puhdista moottori harjalla tai kuivalla kankaalla.

Tämä on ilmajäähdytteinen moottori. Lika ja roskat voivat estää ilman virtauksen ja aiheuttaa moottorin ylikuumentumisen, mikä heikentää moottorin tehoa ja lyhentää sen käyttöikää.

1. Poista ilmanottoaukkoon kerääntyneet roskat harjalla tai kuivalla kankaalla.
2. Pidä vivusto, jouset ja säätimet puhtaina.
3. Pidä äänenvaimentimen (jos asennettu) ympärillä ja takana olevat alueet puhtaina tulenaroista roskista.

4. Varmista, ettei öljynjäähdyttimen lamelleissa (jos asennettu) ole likaa tai roskaa.

Ajan mittaan lika saattaa kertyä sylinterin jäähdytysripoihin ja aiheuttaa moottorin ylikuumentumisen. Tätä likaa ei voi poistaa ilman moottorin osittaista purkamista. Pyydy valtuutettua Briggs & Stratton -huoltoliikettä tarkastamaan ja puhdistamaan ilmajäähdytysjärjestelmä noudattaen ohjeita, jotka esitetään kohdassa **Kunnossapidon aikataulu**.

Varastointi



VAROITUS

Polttoaine ja polttoainehöyryt ovat erittäin tulenarkoja ja räjähdysherkkiä.

Tulipalo tai räjähdys voi aiheuttaa vakavia palovammoja tai kuoleman.

Polttoaineen tai laitteen varastoiminen, kun tankissa on polttoainetta

- Älä varastoi lämmityskattilan, uunin, vedenlämmittimen tai muun kipinän aikaansaavan laitteen läheisyyteen, sillä ne voivat sytyttää polttoaineen höyrystyvät kaasut.

Polttoainejärjestelmä

Katso kuva: 12

Varastoi moottori vaakatasossa (normaalissa käyttöasennossa). Täytä polttoainesäiliö (A, kuva 12) polttoaineella. Älä täytä polttoainesäiliötä yli sen kaulan (B), jotta polttoaineen laajenemiselle jää tilaa.

Polttoaine voi vanhentua, jos sitä säilytetään yli 30 päivää. Vanhentunut polttoaine saattaa aiheuttaa happo- ja hartsimuodostumisen syntymisen polttoainejärjestelmään tai tärkeisiin kaasuttimen osiin. Polttoaineen säilyvyyden vuoksi käytä **Briggs & Stratton Advanced Formula Fuel Treatment & Stabilizer -polttoaineen lisäainetta**, jota on saatavilla myyntipisteistä, joissa on tarjolla Briggs & Stratton -alkuperäisvaraosia.

Polttoainetta ei tarvitse tyhjentää moottorista, jos polttoaineen stabilointiainetta lisätään ohjeiden mukaisesti. Käytä moottoria kahden (2) minuutin ajan, jotta stabilointiaine kulkeutuu kaikkialle polttoainejärjestelmään ennen varastointia.

Jos polttoainetta ei ole käsitelty stabilointiaineella, se on tyhjennettävä sopivaan astiaan. Anna moottorin käydä, kunnes se pysähtyy polttoaineen loppumisen vuoksi. On suositeltavaa lisätä polttoaineen lisäainetta varastointiaistiaan, jotta polttoaine säilyy tuoreena.

Moottoriöljy

Vaihda moottoriöljy kun moottori on vielä lämmin. Katso kohta **Vaihda moottoriöljy**.

Vianmääritys

Ota yhteyttä paikalliseen jälleenmyyjään tai katso ohjeet sivulta **VanguardEngines.com** tai soita numeroon **1-800-999-9333** (Yhdysvalloissa).

Tekniset tiedot

Malli: 611400, 613400, 61E400, 61G400	
Iskutilavuus	60.60 ci (993 cc)
Sylinterin halkaisija	3.366 in (85,5 mm)
Iskun pituus	3.406 in (86,5 mm)
Öljytilavuus	78 - 80 oz (2,3 - 2,4 L)
Tulpan kärkiväli	.030 in (.76 mm)
Sytytystulpan kiristysarvo	180 lb-in (20 Nm)
Sytytyspuolan ilmaväli - kaasutinmallit	.005 - .008 in (.13 - .20 mm)
Imuventtiin välys	.004 - .006 in (.10 - .15 mm)
Pakovenntiin välys	.007 - .009 in (.18 - .23 mm)

Moottorin teho laskee 3,5 % jokaista 300 metriä (1 000 jalkaa) kohti merenpinnan yläpuolella ja 1 %:n jokaista 5,6 °C (10 °F) kohti lämpötilan ollessa yli 25 °C (77 °F). Moottori toimii moitteettomasti aina 15° kulmaan saakka. Katso käyttöohjekirjasta turvalliset käyttörajat kaltevilla alueilla.

Huolto-osat - Malli: 611400, 613400, 61E400, 61G400	
Huolto-osa	Vaaraosanumero
Paperinen ilmansuodatin (kuva 10)	692519

Huolto-osat - Malli: 611400, 613400, 61E400, 61G400	
Esipuhdistin (kuva 10)	692520
Öljy - SAE 30	100028
Öljysuodatin	842921
Advanced Formula Fuel Treatment and Stabilizer -polttoaineen lisäaine	100117, 100120
Polttoaineensuodatin	845125
Vastussytytystulppa	491055
Platinakärkitulppa	5066
Sytytystulppa-avain	19374
Kipinätesteri	19368

Suosittellemme, että otat yhteyttä valtuutettuun Briggs & Stratton -huoltoliikkeeseen kaikissa moottoreiden huolto- ja korjausta ja moottoreiden varaosia koskevissa kysymyksissä.

Nimellisteho: Erillisten kaasumoottorimallien nimellisteho on merkitty SAE-koodilla (Society of Automotive Engineers) J1940 Pienten moottorien teho- ja momenttiluokitusmenetelmä, ja luokiteltu SAE J1995 -standardin mukaisesti. Momenttiarvot johdetaan 2600 RPM:n nopeudella moottoreille, joiden etiketissä on "rpm" ja 3060 RPM:n nopeudella kaikille muille. Hevosvoiman arvot johdetaan nopeudella 3600 RPM. Bruttotehokäyrät ovat nähtävissä osoitteessa www.BRIGGSandSTRATTON.COM Nettotehoarvot on mitattu pakoputki ja ilmanpuhdistin asennettuina, mutta bruttotehoarvot kerätään ilman näitä ohjeilaitteita. Moottorin todellinen bruttoteho on nettotehoa suurempi, koska siihen vaikuttavat mm. ympäristön käyttöolosuhteet ja moottorikohtaiset vaihtelut. Koska moottoreita asennetaan hyvin erilaisiin laitteisiin, bensiinimoottori ei ehkä kehity sille ilmoitettua bruttotehoa yksittäisessä moottoridussa laitteessa. Ero johtuu monista tekijöistä, joita voivat olla esimerkiksi moottorin eri komponentit (ilmanpuhdistin, pakosarja, laturi, jäähdytin, kaasutin, polttoainepumppu jne.), käyttörajoitukset, ympäristön käyttöolosuhteet (lämpötila, kosteus, korkeus merenpinnasta) sekä moottorikohtainen vaihtelu. Luettelo ei ole rajoittava. Valmistus- ja kapasiteettirajoitusten vuoksi Briggs&Stratton voi vaihtaa moottorin saman sarjan tehokkaampaan versioon.

Takuu

Briggs & Stratton -moottorin takuu

Voimassa tammikuusta 2017 alkaen

Rajoitettu takuu

Briggs & Stratton takaa, että alla määritettynä takuuajana se korjaa tai vaihtaa veloituksetta osan tai osat, joissa on materiaali- ja/tai valmistusvika. Takuukorjattavan tai takuuvaihdettavan tuotteen kuljetuskustannukset on ostajan maksettava. Tämä takuu on voimassa alla esitetyn ajan ja alla esitetyillä ehdoilla. Etsi lähin valtuutettu huoltoliike takuuhoitoa varten jälleenmyyjäkartaltamme osoitteesta BRIGGSandSTRATTON.COM. Ostajan täytyy olla yhteydessä valtuutettuun huoltomyyjään ja toimittaa tuote valtuutetulle huoltomyyjälle tarkistusta ja testausta varten.

Muuta nimenomaista takuuta ei myönnetä. Epäsuorat takuut, mukaan lukien takuut myyntikelpoisuudesta ja soveltuvuudesta johonkin tiettyyn tarkoitukseen, rajoittuvat takuuajanaan, joka on listattu alapuolella, tai lain sallimien rajojen mukaan. Vastuu tahattomista tai välillisistä vahingoista ei kuulu tämän takuun piiriin, jos laki sallii tällaisen takuurajoituksen. Jotkin osavaltiot tai maat eivät salli rajoituksia sen suhteen, kuinka pitkään epäsuora takuu kestää, ja jotkin osavaltiot tai maat eivät salli satunnaisen tai välillisten vahinkojen poissulkemista tai rajoittamista, joten yläpuolella mainittu rajoitus ja poissulkeminen ei välttämättä koske sinua. Tämä takuu antaa Teille nimenomaiset lailliset oikeudet ja Teillä voi olla myös muita Suomen lain mukaisia oikeuksia ⁴.

Normaalit takuehdot 1, 2, 3

Merkki / Tuotenimi	Kuluttajakäyttö	Kaupallinen käyttö
Vanguard™; Commercial Series	36 kuukautta	36 kuukautta
Valurautaisella Dura-Bore™-valurautaputkella varustetut moottorit	24 kuukautta	12 kuukautta
Kaikki muut moottorit	24 kuukautta	3 kuukautta

¹Nämä ovat tavanomaiset takuehdot; takuu saattaa toisinaan kattaa myös muita alueita, joita ei ole määritetty julkaisuhetkellä. Katso moottoriasi koskevat tämänhetkiset takuehdot osoitteesta BRIGGSandSTRATTON.COM tai ota yhteyttä lähimpään Briggs & Stratton -huoltoliikkeeseen.

²Takuu ei koske moottoreita, joita käytetään kaupallisissa tarkoituksissa ensisijaisena voimanlähteenä tai varageneraattorina. Kiilpa-ajoissa tai kaupallisilla tai vuokrarakoilla käytettäviä moottoreita takuu ei koske.

³Vanguard asennettuna varageneraattoreihin: 24 kuukautta yksityiskäytössä, takuu ei koske kaupallista käyttöä. Vanguard asennettuna hyötyajoneuvoihin: 24 kuukautta yksityiskäytössä, 24 kuukautta kaupallisessa käytössä. Commercial Series, joiden valmistuspäivä on ennen heinäkuuta 2017, 24 kuukautta yksityiskäytössä, 24 kuukautta kaupallisessa käytössä.

⁴ Australiassa - Tuotteissamme on takuu, jota ei Australian kuluttajansuojalain mukaisesti voi sivuuttaa. Olet oikeutettu vaihtoon tai hyvitykseen merkittävästä viasta ja korvaukseen muusta kohtuullisessa määrin ennakoitavasta tappiosta tai vahingosta. Olet myös oikeutettu tuotteiden korjaukseen tai vaihtoon, jos niiden laatu ei ole hyväksyttävä, vaikka vikaa ei katsottaisi merkittäväksi viaksi. Ota takuuhooltoon liittyvissä asioissa yhteyttä lähimpään valtuutettuun Briggs & Stratton -huoltoliikkeeseen, jonka löydät jälleenmyyjien kartaltamme osoitteesta BRIGGSandSTRATTON.COM. Voit myös soittaa numeroon 1300 274 447 tai lähettää sähköpostia tai postia osoitteeseen salesenquires@briggsandstratton.com.au, Briggs & Stratton Australia Pty Ltd, 1 Moorebank Avenue, Moorebank, NSW, Australia, 2170.

Takuuaika alkaa sitä päivästä, kun tuote hankitaan ensimmäisen kerran kuluttaja- tai kaupalliseen käyttöön. "Kuluttajakäytöllä" tarkoitetaan vähittäisasiakkaan henkilökohtaista kotitalouskäyttöä. "Kaupallisella käytöllä" tarkoitetaan kaikkea muuta käyttöä, kuten käyttöä kaupalliseen toimintaan, tulonhankintaan tai vuokraukseen. Jos moottori on ollut kaupallisessa käytössä, sitä pidetään sen jälkeen kaupalliseen käyttöön tarkoitettuna moottorina tämän takuun osalta.

Säilytä kuitenkin kuitti ostotodistuksena. Jollet pysty osoittamaan laitteen alkuperäistä ostopäivää takuuhuollon yhteydessä, tuotteen valmistuspäivä katsotaan takuuajan alkupäiväksi. Tuotteen rekisteröinti ei ole pakollista takuuhuollon saamiseksi Briggs & Stratton -tuotteille.

Takuuehdot

Tämä takuu kattaa vain moottoriin liittyvät vialliset materiaalit ja/tai työvirheet eikä mitään vaihto-osia eikä korvausta laitteesta, johon moottori on kiinnitetty. Tämä takuu ei kata säännöllisesti suoritettavia huoltotoimenpiteitä, vurityksiä, säätöjä tai tavallista kulumista. Takuu ei myöskään ole voimassa siinä tapauksessa, että moottoria on muunneltu tai moottorin sarjanumero on sotkettu tai poistettu. Tämä takuu ei kata moottorivaurioita tai suorituskykyyn liittyviä ongelmia, jotka ovat aiheutuneet seuraavista syistä:

1. Muiden kuin alkuperäisten Briggs & Stratton -osien käyttö;
2. Moottorin käyttäminen riittämättömän öljymäärän, liikaantuneen öljyn tai väärän öljyalaadun kanssa;
3. Liikaantuneen tai vanhan polttoaineen käyttö, etanolilla käsitellyn bensiinin, jonka etanolipitoisuus on yli 10 % tai vaihtoehtoisten polttoaineiden, kuten nestekaasun tai maakaasun käyttö moottoreissa, joita Briggs & Stratton ei ole alun perin suunnitellut/valmistanut toimimaan sellaisilla polttoaineilla;
4. Lika, joka on päässyt moottoriin, koska ilmanpuhdistin on huollettu tai koottu väärin;
5. Pyörivän ruohonleikkurin leikkausterän iskeytyminen johonkin esineeseen, löysät tai väärin asennetut teränkiinnikkeet, tuulettimet tai muut kampiakseliin kytketyt laitteet tai kiilahihnan liiallinen kireys;
6. Moottoriin liittyvät osat tai kokoonpanot, kuten kytkimet, voimansiirto, laitteiston ohjaimet jne., jotka eivät ole Briggs & Strattonin toimittamia;
7. Ylikuumeneminen, joka johtuu leikkuujätteistä, liasta ja roskista tai jyräjoiden pesistä, jotka tukkivat jäähdytysriipojen tai juoksupyörän alueen, tai moottorin käyttämisestä ilman riittävää ilmanvaihtoa;
8. Liiallinen tärinä, joka johtuu ylikierroksista, moottorin löysästä kiinnityksestä, löysistä tai epätasapainossa olevista tuulettimista tai laitteen osien vääränlaisesta kiinnityksestä kampiakseliin;
9. Laitteiston väärinkäyttö, säännöllisen kunnossapidon laiminlyönti, kuljetus, käsittely tai varastointi tai moottorin väärä asennus.

Takuuhuoltoa on saatavilla ainoastaan Briggs & Stratton valtuuttamissa huoltopisteissä. Lähimmän valtuutetun huoltoliikkeen löydät verkkosivulla BRIGGSandSTRATTON.COM löytyvän jälleenmyyjäkartan avulla tai soittamalla numeroon 1-800-233-3723 (USA:ssa).

80004537 (versio C)

Ce manuel contient des informations relatives à la sécurité afin que vous connaissiez les dangers et risques qui sont liés aux souffleuses à neige et la façon de les éviter. Il contient également des directives sur la bonne utilisation et le bon entretien du moteur. Dans la mesure où Briggs & Stratton Corporation ne connaît pas nécessairement quel équipement ce moteur alimentera, il est important que vous lisiez et compreniez ces directives ainsi que celles se rapportant à l'équipement. **Conserver ces instructions d'origine pour référence future.**

Remarque : Les données et illustrations de ce manuel sont fournies pour votre référence uniquement et peuvent différer en fonction du modèle. Contacter votre revendeur si vous avez des questions.

Pour obtenir des pièces de rechange ou une assistance technique, enregistrez le modèle, le type, les numéros de code ainsi que la date d'acquisition du moteur. Ces numéros sont situés sur le moteur (voir la section **Fonctions et commandes**).

Date d'achat	
Modèle – Type – Coupe du moteur	
Numéro de série du moteur	

Recherche le code à barre 2D se trouvant sur certains moteurs. Lorsque le code est lu avec un appareil 2D, il vous amènera sur notre site Web où vous pourrez trouver une assistance pour ce produit. Les taux de données s'appliquent. Certains pays n'ont peut-être pas une assistance en ligne.



Symbole	Signification	Symbole	Signification
	Risque d'incendie		Risque d'explosion
	Risque de décharge électrique		Danger de fumées toxiques
	Risque de surface chaude		Risque lié au bruit - protection auditive recommandée pour une utilisation prolongée.
	Risque de projection d'objets - porter des lunettes de protection.		Risque d'explosion
	Risque de gelure		Risque d'effet de recul
	Risque d'amputation - pièces mobiles		Risque chimique
	Risque thermique		Corrosif

Recyclage

		Tous les emballages, l'huile usagée et les batteries doivent être recyclés conformément aux réglementations publiques applicables.
--	--	--

Sécurité de l'opérateur

Symbole de sécurité et termes indicateurs

Le symbole de sécurité permet d'identifier les informations de sécurité sur les dangers pouvant blesser quelqu'un. Un mot-indicateur (DANGER, AVERTISSEMENT ou ATTENTION) est utilisé avec le symbole d'alerte pour indiquer la probabilité et la gravité potentielle de la blessure. Par ailleurs, un symbole de sécurité peut être utilisé pour représenter le type de danger.

DANGER indique un danger qui, si non évité, **causera la mort ou des blessures graves.**

AVERTISSEMENT indique un danger qui, si non évité, **pourrait causer la mort ou des blessures graves.**

ATTENTION indique un danger qui, si non évité, **pourrait causer des blessures mineures ou modérées.**

AVIS indique une situation qui **pourrait causer des dommages au produit.**

Symboles de risque et leurs significations

Symbole	Signification	Symbole	Signification
	Informations de sécurité sur les dangers pouvant provoquer des dommages corporels.		Lire attentivement le contenu du manuel d'utilisation avant de faire fonctionner l'appareil ou d'intervenir dessus.

Messages de sécurité



AVERTISSEMENT

Certains composants de ce produit et de ses accessoires contiennent des produits chimiques reconnus dans l'État de Californie comme étant cause de cancer, d'anomalies congénitales ou d'autres effets néfastes sur la fonction de reproduction. Se laver les mains après la manipulation.



AVERTISSEMENT

Les gaz d'échappement du moteur de ce produit contiennent des produits chimiques reconnus par l'État de Californie comme étant cause de cancer, d'anomalies congénitales ou d'autres effets néfastes sur la fonction de reproduction.



AVERTISSEMENT

Les moteurs Briggs & Stratton ne sont pas conçus pour les équipements suivants et ne doivent pas être utilisés pour les alimenter : karts de loisir ; karts de course ; véhicules de loisir pour les enfants et de sport tous-terrains (ATV) ; cyclomoteurs ; aéroglisseurs ; engins aériens ; ou véhicules utilisés lors de compétitions non approuvées par Briggs & Stratton. Pour plus d'informations concernant les produits destinés à la compétition, consulter www.briggsracing.com. Pour une utilisation avec des quads utilitaires et côte-à-côte, veuillez contacter le Centre d'application des moteurs Briggs & Stratton, au 1-866-927-3349. Une application inadaptée au moteur risque d'entraîner des blessures graves, voire mortelles.



AVERTISSEMENT



L'essence et ses vapeurs sont hautement inflammables et explosives.

Un incendie ou une explosion peuvent provoquer de graves brûlures ou la mort.

Lors de l'ajout de carburant

- Arrêter le moteur et le laisser refroidir au moins 2 minutes avant de retirer le bouchon du réservoir.
- Remplir le réservoir de carburant à l'extérieur ou dans un endroit bien ventilé.

- Ne jamais trop remplir le réservoir de carburant. Pour permettre l'expansion du carburant, ne pas dépasser le bas du col de remplissage du réservoir en effectuant le plein.
- Garder le carburant loin des étincelles, des flammes nues, des lampes témoins, de chaleur et d'autres sources d'allumage.
- Vérifier régulièrement que les canalisations, le réservoir, le bouchon et les raccords de carburant ne présentent ni fissures ni fuites. Remplacer si nécessaire.
- Si du carburant se répand, attendre jusqu'à ce qu'il s'évapore avant de démarrer le moteur.

Démarrage du moteur

- S'assurer que la bougie, le silencieux, le bouchon du réservoir de carburant et le filtre à air (le cas échéant) sont montés et solidement fixés.
- Ne pas démarrer le moteur sans la bougie.
- Si le moteur se noie, mettre le starter (le cas échéant) en position OUVERT/MARCHE, amener la manette des gaz (le cas échéant) en position RAPIDE et lancer le moteur jusqu'à ce qu'il démarre.

Pendant l'utilisation de l'équipement

- Ne pas pencher le moteur ou l'équipement à un angle qui risquerait de faire couler de l'essence.
- Ne pas actionner le starter pour arrêter le moteur.
- Ne jamais démarrer ou faire fonctionner le moteur sans l'épurateur d'air (le cas échéant) ou le filtre à air (le cas échéant).

Lors du changement de l'huile

- Si vous vidangez l'huile par le bouchon de remplissage supérieur, le réservoir de carburant doit être vide, car une fuite éventuelle pourrait provoquer un incendie, voire une explosion.

Lorsque l'entretien requiert de basculer la machine

- S'il est nécessaire de basculer la machine au cours de l'entretien, le réservoir de carburant, s'il est monté sur le moteur, doit être vide, sinon le carburant risque de couler et d'entraîner un incendie ou une explosion.

Lors du transport de la machine

- Transporter avec le réservoir de carburant VIDE ou le robinet d'essence en position CLOSED (FERMÉE).

Entreposage de carburant ou d'équipements dont le réservoir contient du carburant

- Entreposez-les à l'écart des chaudières, poêles, chauffe-eaux ou autres appareils ménagers comportant une veilleuse ou une autre source d'inflammation pouvant enflammer les vapeurs d'essence.



AVERTISSEMENT

Le démarrage du moteur produit des étincelles.

Une étincelle peut mettre le feu aux gaz inflammables à proximité.

Elle pourrait provoquer une explosion ou un incendie.

- Si une fuite de gaz de pétrole liquéfié (GPL) ou de gaz naturel est présente à l'endroit où vous vous trouvez, ne pas tenter de mettre le moteur en marche.
- Ne pas utiliser de fluides de démarrage sous pression, car les vapeurs sont inflammables.



AVERTISSEMENT

RISQUE LIÉ AUX GAZ TOXIQUES. Les gaz d'échappement du moteur contiennent du monoxyde de carbone, un gaz toxique qui pourrait vous tuer en quelques minutes à peine. Vous NE POUVEZ NI le voir, NI le sentir, NI le goûter. Même si vous ne sentez pas l'odeur des gaz d'échappement, vous courrez toujours le risque de respirer du monoxyde de carbone. Si vous commencez à vous sentir malade, pris de vertiges ou faible quand vous utilisez ce produit, coupez le moteur IMMÉDIATEMENT et allez respirer de l'air frais. Consultez un médecin. Il se peut que vous soyez victime d'un empoisonnement au monoxyde de carbone.

- Utilisez cet équipement UNIQUEMENT à l'extérieur et en vous tenant éloigné des fenêtres, portes et ouvertures d'aération pour réduire le risque que du monoxyde de carbone ne s'accumule et ne soit éventuellement aspiré dans des espaces où vivent des personnes ou des animaux.
- Conformément aux instructions du fabricant, installez des alarmes monoxyde de carbone fonctionnant à piles ou alimentées par câble avec batterie de secours. Les détecteurs de fumée ne peuvent pas déceler la présence de monoxyde de carbone.

- NE PAS faire fonctionner cet équipement dans des maisons, garages, sous-sols, vides sanitaires, remises de jardin ou d'autres espaces partiellement confinés, même si des ventilateurs, des portes ou des fenêtres ouvertes facilitent la ventilation. Le monoxyde de carbone peut s'accumuler rapidement dans ces espaces et subsister pendant des heures, même après l'arrêt de l'équipement.
- Disposer TOUJOURS cet équipement dans le sens du vent et orienter l'échappement du moteur dans la direction opposée aux espaces occupés par des personnes ou des animaux.



AVERTISSEMENT

La rétraction rapide du cordon de lanceur (effet de recul) aura pour effet de tirer la main et le bras vers le moteur en moins de temps qu'on ne l'imagine.

Des os cassés, des fractures, des blessures, ou des foulures peuvent en résulter.

- Pour démarrer le moteur, tirer lentement le cordon du lanceur jusqu'à percevoir une résistance et tirer ensuite rapidement pour éviter tout effet de recul.
- Retirer toute charge extérieure à l'équipement ou au moteur avant de le démarrer.
- Les éléments directement couplés à l'équipement, notamment les lames, turbines, poulies, engrenages, etc., devront être fermement arrimés.



AVERTISSEMENT

Les pièces rotatives peuvent toucher ou happer les mains, les pieds, les cheveux, les vêtements ou tout autre accessoire.

Une amputation traumatique ou de graves lacérations peuvent en résulter.

- Utiliser l'équipement avec les protections en place.
- Tenir les mains et les pieds éloignés des pièces en rotation.
- Attacher les cheveux longs et retirer les bijoux.
- Ne pas porter de vêtements amples, de ceintures larges pendantes ou tout vêtement pouvant être saisi.



AVERTISSEMENT

Les moteurs en marche produisent de la chaleur. Les pièces du moteur, en particulier le silencieux, deviennent extrêmement chaudes.

Des brûlures thermiques graves peuvent se produire par contact.

Les débris combustibles tels que les feuilles, l'herbe, les broussailles, etc., peuvent prendre feu.

- Laisser refroidir le pot d'échappement, le cylindre et les ailettes du moteur avant de les toucher.
- Retirer les débris qui se sont accumulés autour de la zone du pot d'échappement et du cylindre.
- L'utilisation ou le fonctionnement du moteur sur des terrains forestiers, broussailleux ou herbeux constitue une violation de la Section 4442 du Code des ressources publiques de Californie, à moins que le système d'échappement ne soit équipé d'un pare-étincelles, comme le stipule cette Section 4442, maintenu en bon état de marche. D'autres états ou juridictions fédérales peuvent avoir des lois similaires. Contacter le constructeur d'origine, le détaillant ou le revendeur de l'équipement pour obtenir un pare-étincelles conçu pour le système d'échappement installé sur ce moteur.



AVERTISSEMENT

Des étincelles involontaires peuvent provoquer un incendie ou un choc électrique.

Un démarrage accidentel peut causer un étranglement, une amputation traumatique ou une lacération.

Risque d'incendie

Avant de procéder à des réglages ou des réparations :

- Débrancher le fil de la bougie d'allumage et le tenir à l'écart de la bougie.
- Débrancher la batterie en retirant le câble de la borne négative de la batterie (uniquement pour les moteurs à démarreur électrique).
- Utiliser uniquement des outils appropriés.
- Ne pas intervenir sur le ressort du régulateur de vitesse, les tringles ou d'autres pièces, pour augmenter le régime du moteur.

Système de détection de niveau d'huile bas (le cas échéant)

Certains moteurs sont équipés d'une sonde de détection de niveau d'huile bas. Si le niveau d'huile est insuffisant, la sonde active un voyant d'alerte ou arrête le moteur. Arrêter le moteur et procéder comme décrit ci-dessous avant de remettre en marche le moteur.

- Mettre le moteur de niveau.
- Contrôler le niveau d'huile. Se reporter à la section **Vérifier le niveau d'huile**.
- Si le niveau est insuffisant, faire l'appoint avec la quantité appropriée d'huile. Mettre le moteur en marche et s'assurer que le voyant d'alerte (si prévu) n'est pas allumé.
- Si le niveau d'huile est correct, ne pas faire démarrer le moteur. Contacter un Réparateur agréé Briggs & Stratton pour corriger un problème d'huile.

Recommandations de carburant

Le carburant doit répondre aux critères suivants :

- Essence sans plomb, propre et fraîche.
- Au minimum 87 octanes/87 AKI (91 RON). Utilisation en haute altitude, voir ci-dessous.
- De l'essence contenant jusqu'à 10 % d'éthanol (carburol) est acceptable.

AVIS Ne pas utiliser d'essence non approuvée telle que l'E15 ou l'E85. Ne pas mélanger de l'huile avec l'essence ou modifier le moteur afin qu'ils puissent utiliser des carburants alternatifs. L'utilisation de carburants non approuvés peut endommager les composants, ce qui n'est pas couvert par la garantie.

Pour empêcher que de la gomme ne se forme dans le circuit d'alimentation, mélanger un stabilisateur de carburant à l'essence. Voir **Entreposage**. Tous les carburants ne sont pas identiques. Si des problèmes de démarrage ou de performance se produisent, changer de fournisseur de carburant ou changer de marque. Ce moteur est certifié pour fonctionner à l'essence. Le système de contrôle des émissions pour ce moteur est de type EM (Engine Modifications).

Haute altitude

À des altitudes supérieures à 1 524 mètres (5 000 pieds), de l'essence d'au minimum 85 octane/85 AKI (89 RON) est acceptable.

Pour conserver les caractéristiques d'émission, un réglage spécial haute altitude est nécessaire. Faire fonctionner le moteur sans ce réglage fait baisser ses performances, augmenter la consommation de carburant et les émissions. Contacter un Réparateur agréé Briggs & Stratton pour davantage d'informations sur le réglage haute altitude. Le fonctionnement du moteur à une altitude inférieure à 762 mètres (2 500 pieds) avec le kit haute altitude n'est pas recommandé.

Pour les moteurs à injection électronique (EFI), le réglage haute altitude est inutile.

Faire le plein

Voir Figure : 4



AVERTISSEMENT

L'essence et ses vapeurs sont extrêmement inflammables et explosifs.

Un incendie ou une explosion peuvent provoquer de très graves blessures ou être mortelles.

Pour faire le plein

- Arrêter le moteur et le laisser refroidir au moins 2 minutes avant de retirer le bouchon du réservoir.
 - Remplir le réservoir de carburant à l'extérieur ou dans un local extrêmement bien ventilé.
 - Ne pas trop remplir le réservoir de carburant. Pour permettre la dilatation de l'essence, ne pas remplir au-delà du bas du col de remplissage.
 - Veiller à tenir l'essence à l'écart des étincelles, des flammes nues, des veilleuses, de la chaleur et de toute autre source d'ignition.
 - Contrôler régulièrement que les durites, le réservoir, le bouchon et les raccords de réservoir ne présentent ni fissures, ni fuites. Remplacer si nécessaire.
 - Si du carburant a été renversé, attendre son évaporation complète avant de démarrer le moteur.
1. Nettoyer le pourtour du bouchon d'essence de la poussière et des débris. Enlever le bouchon d'essence.
 2. Remplir le réservoir (A, Figure 4) d'essence. Pour permettre la dilatation du carburant, ne pas remplir au-delà du bas du la base du col de remplissage. (B).
 3. Remettre le bouchon du réservoir en place.

Démarrage et arrêt du moteur

Voir Figure : 5

Démarrage du moteur



AVERTISSEMENT

L'essence et ses vapeurs sont hautement inflammables et explosives.

Un incendie ou une explosion peuvent provoquer de graves brûlures ou la mort.

Démarrage du moteur

- S'assurer que la bougie, le silencieux, le bouchon du réservoir de carburant et le filtre à air (le cas échéant) sont montés et solidement fixés.
- Ne pas démarrer le moteur sans la bougie.
- Si le moteur se noie, mettre le starter (si la machine en est équipée) sur la position OUVERT/MARCHE, (OPEN/RUN) amener la manette des gaz (si la machine en est équipée) sur la position RAPIDE (FAST) et lancer le moteur jusqu'à ce qu'il démarre.



AVERTISSEMENT

RISQUE LIÉ AUX GAZ TOXIQUES. Les gaz d'échappement du moteur contiennent du monoxyde de carbone, un gaz toxique qui pourrait vous tuer en quelques minutes à peine. Vous NE POUVEZ NI le voir, NI le sentir, NI le goûter. Même si vous ne sentez pas l'odeur des gaz d'échappement, vous courez toujours le risque de respirer du monoxyde de carbone. Si vous commencez à vous sentir mal, être pris de vertiges ou affaibli quand vous utilisez ce produit, coupez le moteur et allez respirer IMMÉDIATEMENT de l'air frais. Consultez un médecin. Il se peut que vous soyez victime d'un empoisonnement au monoxyde de carbone.

- Utilisez cet équipement UNIQUEMENT à l'extérieur et en vous tenant éloigné des fenêtres, portes et ouvertures d'aération pour réduire le risque que du monoxyde de carbone ne s'accumule et ne soit éventuellement aspiré dans des espaces où vivent des personnes ou des animaux.
- Conformément aux instructions du fabricant, installez des alarmes monoxyde de carbone fonctionnant à piles ou alimentées par câble avec batterie de secours. Les détecteurs de fumée ne peuvent pas déceler la présence de monoxyde de carbone.
- NE PAS faire fonctionner cet équipement dans des maisons, garages, sous-sols, vides sanitaires, remises de jardin ou d'autres espaces partiellement confinés, même si des ventilateurs, des portes ou des fenêtres ouvertes facilitent la ventilation. Le monoxyde de carbone peut s'accumuler rapidement dans ces espaces et subsister pendant des heures, même après l'arrêt de l'équipement.
- Placez TOUJOURS cette machine sous le vent et pointez l'échappement du moteur dans la direction opposée aux espaces occupés par des personnes ou des animaux.

AVIS Ce moteur est livré sans huile par Briggs & Stratton. Avant de démarrer le moteur, veiller à ajouter de l'huile en suivant les instructions de ce manuel. Si un moteur sans huile est mis en marche, il sera endommagé de manière irréversible et ne sera pas couvert par la garantie.

Déterminer le type du système de démarrage

Avant de mettre le moteur en marche, vous devez déterminer le type du système de démarrage dont il est équipé. Votre moteur peut être pourvu des systèmes suivants.

- **Système d'injection électronique (Electronic Fuel Injection, EFI) :** Comprend l'injection électronique. Il n'a ni starter ni amorceur.
- **Système de starter :** Il se caractérise par un starter à utiliser pour le démarrage à basses températures. Certains modèles sont équipés d'une commande de starter séparée alors que d'autres sont équipés d'une commande combinée starter et gaz. Ce type de moteur ne comporte pas d'amorceur.

Remarque : L'équipement peut être doté de commandes à distance. Se reporter au manuel de l'équipement pour connaître l'emplacement et l'utilisation des commandes à distance.

Système d'injection électronique (EFI)

1. Vérifier l'huile moteur. Se reporter à la section **Vérifier le niveau d'huile**.
2. S'assurer que les commandes d'entraînement de l'équipement, si présentes, sont débrayées.
3. Amener le robinet d'essence (A, Figure 5) éventuellement présent en position OPEN (OUVERT).
4. Amener la commande des gaz sur la position SLOW (RALENTI).
5. Appuyer sur le commutateur d'arrêt éventuellement prévu (D, Figure 5) pour l'amener à la position ON (MARCHE).
6. Tourner le commutateur de démarrage électrique (E, Figure 5) en position ON ou START (MARCHE ou DÉMARRER).

AVIS Pour prolonger la durée de vie du démarreur, ne l'utiliser que pendant des cycles courts (cinq secondes maximum). Attendre une minute avant de recommencer.

Remarque : Si le moteur ne démarre pas malgré plusieurs tentatives, prendre contact avec le Réparateur le plus proche, consulter la page **VanguardEngines.com** ou appeler le **1-800-999-9333** (aux États-Unis).

Système de starter

- Vérifier l'huile moteur. Se reporter à la section **Vérifier le niveau d'huile**.
- S'assurer que les commandes d'entraînement de l'équipement, si présentes, sont débrayées.
- Amener le robinet d'essence (A, Figure 5) éventuellement présent en position OPEN (OUVERT).
- Amener la commande des gaz sur la position FAST (RAPIDE).
- Amener la commande de starter (C, Figure 5) éventuellement présente sur la position CLOSED (FERMÉ).

Remarque : Pour démarrer le moteur avec un système à carburant sec (premier démarrage ou après une panne de carburant), une plus longue durée de lancement en position starter sera nécessaire. La pompe à carburant aura ainsi le temps d'amorcer le système de carburant.

- Appuyer sur le commutateur d'arrêt éventuellement prévu (D, Figure 5) pour l'amener à la position ON (MARCHÉ).
- Tourner le contacteur à clé (E, Figure 5) vers la position ON ou START (MARCHÉ ou DÉMARRER).
- Si le moteur tourne puis qu'il s'arrête, amener la commande de starter (C, Figure 5) sur la position OPEN (OUVERT) pour démarrer le moteur.

AVIS Pour prolonger la durée de vie du démarreur, ne l'utiliser que pendant des cycles courts (cinq secondes maximum). Attendre une minute avant de recommencer.

- Au fur et à mesure que le moteur se réchauffe, tourner le bouton de commande de starter (C, Figure 5) sur la position OPEN (OUVERT).

Remarque : Si le moteur ne démarre pas malgré plusieurs tentatives, prendre contact avec le Réparateur le plus proche, consulter la page **VanguardEngines.com** ou appeler le **1-800-999-9333** (aux États-Unis).

Arrêt du moteur



AVERTISSEMENT

Le carburant et ses vapeurs sont extrêmement inflammables et explosifs.

Un incendie ou une explosion peuvent provoquer des blessures très graves, voire mortelles.

- Ne pas étrangler le carburateur, éventuellement présent, pour arrêter le moteur.
- Commutateur d'arrêt, si présent** : Déplacer le commutateur d'arrêt (D, Figure 5) en position OFF (ARRÊT).
Contacteur à clé, si présent : Commande des gaz en position SLOW (RALENTI), si présente, tourner le contacteur à clé (E, Figure 5) en position OFF (ARRÊT). Retirer la clé et la garder dans un endroit sûr hors de portée des enfants.
 - Après l'arrêt du moteur, amener le robinet d'essence éventuellement présent (A, Figure 5) en position CLOSED (FERMÉ).

Entretien

AVIS Si le moteur est basculé pendant l'entretien, le réservoir de carburant doit être vidé et le côté où se trouve la bougie doit être en haut. Si le réservoir de carburant n'est pas vidé et si le moteur est basculé dans toute autre direction, il sera peut-être difficile de le faire démarrer par suite d'huile ou de carburant contaminant le filtre à air et/ou la bougie.



AVERTISSEMENT

S'il est nécessaire de basculer l'équipement au cours de l'entretien, le réservoir de carburant, s'il est monté sur le moteur, doit être vidé, sinon le carburant risque de couler et d'entraîner un incendie ou une explosion.

Nous vous recommandons de confier à un Réparateur Briggs & Stratton agréé tout l'entretien de votre moteur et de ses pièces.

AVIS Tous les composants de ce moteur doivent rester à leur place d'origine pour que le moteur fonctionne correctement.



AVERTISSEMENT

Une étincelle accidentelle peut provoquer un incendie ou une décharge électrique.

Un démarrage accidentel peut causer un étranglement, l'amputation ou la lacération d'un membre.

Risque d'incendie

Avant d'effectuer des réglages ou des réparations :

- Débrancher le fil de bougie et l'attacher à bonne distance de la bougie.
- Débrancher le câble Négatif de la batterie (uniquement pour les moteurs à démarrage électrique).
- N'utiliser que les outils corrects.
- Ne pas modifier le ressort du régulateur, les tringles ou autres pièces pour augmenter le régime du moteur.
- Les pièces de rechange doivent être d'origine et installées de la même façon que les pièces remplacées. D'autres pièces peuvent ne pas fonctionner aussi bien, peuvent endommager la machine et peuvent provoquer des blessures.
- Ne pas taper sur le volant moteur avec un marteau ou un objet dur ; cela pourrait entraîner une rupture ultérieure du volant pendant que le moteur fonctionne.

Contrôle de l'étincelle :

- Utiliser un contrôleur homologué.
- Ne pas contrôler l'étincelle avec la bougie retirée.

Service du Contrôle des émissions

L'entretien, le remplacement ou la réparation des dispositifs et systèmes de contrôle des émissions peuvent être effectués par tout établissement de réparation de moteurs hors route ou par une personne qualifiée. Cependant, pour obtenir un service après-vente « gratuit » du contrôle des émissions, le travail doit être effectué par un revendeur agréé de l'usine. Voir la déclaration sur le contrôle des émissions.

Calendrier d'entretien

Toutes les 8 heures ou chaque jour
<ul style="list-style-type: none"> Vérification du niveau d'huile moteur Nettoyage autour du silencieux et des commandes
Toutes les 100 heures ou une fois par an
<ul style="list-style-type: none"> Remplacer les bougies d'allumage Changement de l'huile moteur Remplacer le filtre à huile (si présent) Entretien du filtre à air ¹ Nettoyer le préfiltre (si présent) ¹ Entretien du système d'échappement
Toutes les 250 heures
<ul style="list-style-type: none"> Contrôler le jeu des soupapes. Régler si nécessaire.
Toutes les 400 heures ou une fois par an
<ul style="list-style-type: none"> Remplacement du filtre à air Remplacement du filtre à carburant Entretien du circuit de refroidissement ¹ Nettoyer les ailettes du radiateur d'huile ¹

¹ À nettoyer plus fréquemment dans des conditions d'utilisation en atmosphère poussiéreuse ou chargée de débris en suspension.

Carburateur et régime moteur

Ne jamais procéder à des réglages du carburateur ou du régime moteur. Le carburateur a été réglé à l'usine pour fonctionner de manière efficace dans la plupart des conditions. Ne pas altérer le ressort du régulateur, la tringlerie ou toute autre pièce pour augmenter le régime du moteur. Si un réglage s'impose, s'adresser à une Station Service Briggs & Stratton agréée.

AVIS Le constructeur de l'équipement spécifie le régime maximal du moteur tel qu'installé sur l'équipement. **Ne pas dépasser** ce régime. En cas de doute quant au régime maximal pour l'équipement ou au régime moteur configuré en sortie d'usine, s'adresser à une Station Service Briggs & Stratton agréée. Pour garantir la sécurité et le bon fonctionnement de l'équipement, le régime moteur ne doit être réglé que par un technicien de service qualifié.

Entretien de la bougie

Voir Figure : 6

Vérifier l'écartement des électrodes (A, Figure 6) avec une jauge à fil (B). Régler l'écartement des électrodes au besoin. Remettre la bougie et la serrer au couple recommandé. Pour régler l'écartement et trouver le couple de serrage, voir la section **Spécifications**.

Remarque : Dans certains pays, la législation impose l'emploi de bougies à résistance pour supprimer les parasites à l'allumage. Si ce moteur était équipé d'une bougie avec résistance, utiliser le même type de bougie lors de son remplacement.

Entretien du système d'échappement



Un moteur en marche produit de la chaleur. Les pièces du moteur, et plus particulièrement le silencieux, deviennent extrêmement chaudes.

Les toucher peut provoquer de graves brûlures.

Les débris combustibles comme les feuilles, l'herbe, les broussailles peuvent s'enflammer.

- Laisser le silencieux, le cylindre du moteur et les ailettes refroidir avant de les toucher.
- Retirer les débris accumulés autour du silencieux et du cylindre.
- L'utilisation ou le fonctionnement du moteur sur des terrains forestiers, broussailleux ou herbeux constitue une violation de la Section 4442 du California Public Resource Code, sauf si le système d'échappement est équipé d'un pare-étincelles, tel que défini dans la Section 4442, en bon état de fonctionnement. D'autres états ou juridictions fédérales peuvent appliquer des lois similaires. Contacter le fabricant, le distributeur ou le fournisseur d'origine de la machine pour obtenir un pare-étincelles conçu pour le système d'échappement installé sur ce moteur.

Retirer les débris accumulés autour du silencieux et du cylindre. Inspecter le silencieux à la recherche de fissures, de corrosion ou autre dommage. Retirer le déflecteur ou le pare-étincelles, le cas échéant, et inspecter s'ils sont endommagés ou obstrués par des dépôts de carbone. En cas de défaut constaté, remplacer les pièces défectueuses avant de réutiliser l'équipement.



Les pièces de rechange doivent être d'origine et installées de la même façon que les pièces remplacées. D'autres pièces peuvent ne pas fonctionner aussi bien, peuvent endommager la machine et peuvent provoquer des blessures.

Changement de l'huile moteur

Voir Figure : 7, 8, 9

L'huile usagée constitue un déchet dangereux qui doit être éliminé de façon appropriée. Ne pas la jeter avec les déchets ménagers. Se renseigner sur les lieux de collecte ou de recyclage auprès des autorités locales, du centre de services ou du concessionnaire.

Vidange de l'huile

1. Pendant que le moteur est arrêté mais encore chaud, déconnecter le ou les câbles de bougie (D, Figure 7) et les tenir à l'écart des bougies (E).
2. Retirer la jauge (A, Figure 8).
3. Retirer le bouchon de vidange (F, Figure 9). Vidanger l'huile dans un récipient homologué.
4. Quand l'huile a été vidangée, remettre et resserrer le bouchon de vidange (F, Figure 9).

Remplacement du filtre à huile, si présent

Certains moteurs sont équipés d'un filtre à huile. Pour la fréquence de remplacement, se reporter au **Calendrier d'entretien**.

1. Vidanger l'huile du moteur. Se reporter à la rubrique **Vidange de l'huile**.

2. Déposer le filtre à huile (G, Figure 9) et le jeter de manière adéquate.
3. Avant d'installer le nouveau filtre à huile, lubrifier légèrement le joint du filtre avec de l'huile fraîche et propre.
4. Installer le filtre à huile à la main jusqu'à ce que le joint soit au contact de l'adaptateur du filtre puis visser le filtre de 1/2 à 3/4 de tours.
5. Ajouter de l'huile. Voir la rubrique **Ajout d'huile**.
6. Démarrer et faire tourner le moteur. À mesure que le moteur chauffe, détecter les éventuelles fuites d'huile.
7. Arrêter le moteur et vérifier le niveau d'huile. Il doit être au ras de l'indicateur de niveau maximum (B, Figure 8) sur la jauge.

Ajout d'huile

- Mettre le moteur de niveau.
- Nettoyer le pourtour de l'orifice de remplissage de tout débris.
- Voir la section **Spécifications** pour connaître la capacité d'huile.

1. Sortir la jauge (A, Figure 8) et la nettoyer avec un chiffon propre.
2. Verser lentement l'huile par l'orifice de remplissage du moteur (C, Figure 8). **Ne pas trop remplir.** Après avoir ajouté de l'huile, attendre une minute puis vérifier le niveau d'huile.
3. Remettre la jauge en place et la resserrer (A, Figure 8).
4. Sortir la jauge et vérifier le niveau d'huile. Il doit être au ras de l'indicateur de niveau maximum (B, Figure 8) sur la jauge.
5. Remettre la jauge en place et la resserrer (A, Figure 8).
6. Rebrancher le ou les fils de bougie (D, Figure 7) sur la ou les bougies (E).

Entretien du filtre à air

Voir Figure : 10



Le carburant et ses vapeurs sont extrêmement inflammables et explosifs.

Un incendie ou une explosion peuvent provoquer des blessures très graves, voire mortelles.

- Ne jamais démarrer ou faire fonctionner le moteur sans le purificateur d'air (si présent) ou sans le filtre à air (si présent).

AVIS Ne pas utiliser d'air comprimé ou de solvant pour nettoyer le filtre. L'air comprimé peut endommager le filtre et les solvants le dissoudre.

Se reporter au **Calendrier d'entretien** pour connaître les prescriptions d'entretien.

Le circuit de filtration de l'air se compose d'un filtre en papier et d'un préfiltre en option. Le préfiltre est lavable et réutilisable.

1. Retirer la ou les attaches (A, Figure 10).
2. Déposer le couvercle (B, Figure 10).
3. Retirer la ou les attaches (C, Figure 10) et l'arrêt (D).
4. Retirer le filtre à air (E, Figure 10).
5. Retirer le préfiltre (F, Figure 10), si présent, du filtre à air (E).
6. Pour faire tomber les débris, tapoter doucement le filtre à air (E, Figure 10) sur une surface dure. Si le filtre à air est trop sale, le remplacer par un filtre à air neuf.
7. Laver le préfiltre (F, Figure 10), si présent, avec un liquide détergent et de l'eau. Bien laisser sécher le préfiltre à l'air libre. **Ne pas huiler** le préfiltre.
8. Monter le préfiltre sec (F, Figure 10), si présent, sur le filtre à air (E).
9. Monter le filtre à air (E, Figure 10) et le bloquer à l'aide d'un arrêt (D) et d'une ou de plusieurs attaches (C).
10. Monter le couvercle (B, Figure 10) et le bloquer avec la ou les attaches (A). S'assurer que la ou les attaches soient bien serrées.

Entretien du circuit de carburant

Voir l'illustration : 11



L'essence et ses vapeurs sont hautement inflammables et explosives.

Un incendie ou une explosion peuvent entraîner de graves brûlures, voire même la mort.

- Garder le carburant loin des étincelles, des flammes nues, des lampes témoins, de chaleur et d'autres sources d'allumage.
- Vérifier régulièrement que les canalisations, le réservoir, le bouchon et les raccords de carburant ne présentent ni fissures ni fuites. Remplacer si nécessaire.
- Avant de nettoyer ou de remplacer le filtre à carburant, vidanger le réservoir d'essence ou fermer le robinet d'essence.
- Si du carburant se répand, attendre jusqu'à ce qu'il s'évapore avant de démarrer le moteur.
- Les pièces de rechange doivent être d'origine et installées de la même façon que les pièces remplacées.

Filtre à carburant, si équipé

1. Avant de remplacer le filtre à carburant (A, Figure 11), si équipé, vidanger le réservoir ou fermer le robinet d'essence. Sinon, une fuite de carburant peut se produire et provoquer un incendie ou une explosion.
2. Utiliser des pinces pour serrer les languettes (B, Figure 11) sur les colliers (C), puis faire glisser les colliers loin du filtre à carburant (A). Tourner et débrancher les durites (D) du filtre à carburant.
3. Vérifier que les durites (D, Figure 11) ne présentent ni fissures ni fuites. Remplacer si nécessaire.
4. Remplacer le filtre à carburant (A, Figure 11) par un filtre d'origine.
5. Fixer les durites (D, Figure 11) avec les colliers (C) comme indiqué.

Entretien du système de refroidissement



Un moteur en marche produit de la chaleur. Les pièces du moteur, et plus particulièrement le silencieux, deviennent extrêmement chaudes.

Les toucher peut provoquer de graves brûlures.

Les débris combustibles comme les feuilles, l'herbe, les broussailles, entre autres, peuvent s'enflammer.

- Laisser le silencieux, le cylindre du moteur et les ailettes refroidir avant de les toucher.
- Retirer les débris accumulés autour du silencieux et du cylindre.

AVIS Ne pas utiliser d'eau pour nettoyer le moteur. L'eau peut contaminer le système d'alimentation en essence. Utiliser une brosse ou un chiffon sec pour nettoyer le moteur.

Ce moteur est refroidi par air. De la poussière ou des débris peuvent affecter le débit d'air et faire chauffer le moteur, ce qui réduit ses performances et sa durée de vie.

1. Utiliser une brosse ou un chiffon sec pour enlever les débris de la grille d'entrée d'air.
2. Nettoyer les biellettes, les ressorts et les commandes.
3. Ne pas laisser les débris combustibles s'accumuler autour et derrière le silencieux d'échappement, si prévu.
4. S'assurer que les ailettes du radiateur d'huile, si prévu, sont exemptes de saleté et de débris.

Avec le temps, des débris peuvent s'accumuler dans les ailettes de refroidissement du cylindre et entraîner une surchauffe de celui-ci. Ces débris ne sont pas visibles sans un démontage partiel du moteur. Pour cette raison, faire procéder par un Réparateur Briggs & Stratton agréé à une inspection et à un nettoyage du système de refroidissement à air selon les prescriptions du **Programme d'entretien**.

Entreposage



L'essence et ses vapeurs sont hautement inflammables et explosives.

Un incendie ou une explosion peuvent entraîner de graves brûlures, voire même la mort.

Entreposage de carburant ou d'équipements dont le réservoir contient du carburant

- Entreposez-les à l'écart des chaudières, cuisinières, chauffe-eaux ou autres appareils ménagers comportant une veilleuse ou une autre source d'inflammation pouvant enflammer les vapeurs d'essence.

Circuit d'alimentation

Voir l'illustration : 12

Ranger le levier du moteur (en position normale de fonctionnement). Remplissage du réservoir (A, Figure 12) avec du carburant. Pour permettre l'expansion du carburant, ne pas dépasser le col de remplissage du réservoir en faisant le plein (B).

Le carburant peut s'éventer quand il est stocké plus de 30 jours. Un carburant éventé peut occasionner la formation de dépôts acides et de gomme dans le système d'alimentation ou sur les pièces essentielles du carburateur. Pour que le carburant conserve toutes ses propriétés, utilisez le **stabilisateur et agent de traitement de carburant à formule avancée Briggs & Stratton**, disponible dans tous les points de vente de pièces d'entretien d'origine Briggs & Stratton.

Il n'est pas nécessaire de purger l'essence du moteur si un stabilisateur de carburant a été ajouté selon les instructions. Avant son entreposage, faire tourner le moteur pendant deux (2) minutes pour faire circuler le stabilisateur dans le circuit d'alimentation.

Si le carburant dans le moteur n'a pas été traité avec un stabilisateur de carburant, il doit être purgé dans un récipient approuvé. Faire fonctionner le moteur jusqu'à ce qu'il s'arrête, faute de carburant. L'utilisation d'un stabilisateur de carburant dans le récipient d'entreposage est recommandée pour que le carburant conserve toutes ses propriétés.

Huile moteur

Pendant que le moteur est encore chaud, changer l'huile du moteur. Voir la section **Changer l'huile moteur**.

Dépannage

Pour obtenir de l'aide, prendre contact avec le Réparateur le plus proche, consulter la page VanguardEngines.com ou appeler le **1-800-999-9333** (aux États-Unis).

Spécifications

Modèle : 611400, 613400, 61E400, 61G400	
Cylindrée	60.60 ci (993 cc)
Alésage	3.366 in (85,5 mm)
Course	3.406 in (86,5 mm)
Capacité d'huile	78 - 80 oz (2,3 - 2,4 L)
Écartement des électrodes de bougie	.030 in (.76 mm)
Couple de serrage de bougie	180 lb-in (20 Nm)
Entrefer volant/bobine - Modèles de carburateurs	.005 - .008 in (.13 - .20 mm)
Jeu de soupape d'admission	.004 - .006 in (.10 - .15 mm)
Jeu de soupape d'échappement	.007 - .009 in (.18 - .23 mm)

La puissance du moteur diminuera de 3,5 % à chaque palier d'altitude de 300 mètres (par rapport au niveau de la mer) et de 1 % tous les 5,6 °C à partir de 25 °C. Le moteur fonctionne de façon satisfaisante à un angle allant jusqu'à 15°. Voir les limites acceptables des pentes dans le manuel de fonctionnement de l'équipement.

Pièces de rechange - Modèle : 611400, 613400, 61E400, 61G400	
Pièce de rechange	Référence de pièce
Filtre à air en papier (Figure 10)	692519
Préfiltre (Figure 10)	692520
Huile - SAE 30	100028
Filtre à huile	842921
Stabilisateur et agent de traitement de carburant à formule avancée	100117, 100120
Filtre à carburant	845125
Bougie à résistance	491055
Bougie en platine longue durée	5066
Clé à bougie	19374

Pièces de rechange - Modèle : 611400, 613400, 61E400, 61G400

Contrôleur	19368
------------	-------

Nous vous recommandons de confier à un Réparateur Briggs & Stratton agréé tout l'entretien de votre moteur et de ses pièces.

Puissances nominales : La puissance brute de chaque modèle de moteur à essence est indiquée conformément au Code J1940 (procédure de calcul de la puissance et du couple des petits moteurs) de la norme SAE (Society of Automotive Engineers), et elle a été obtenue conformément à la norme SAE J1995. Les valeurs de couple sont calculées à 2 600 tr/min pour les moteurs dont l'étiquette porte la mention « RPM » et à 3 060 tr/min pour tous les autres. Les valeurs en CV sont dérivées à 3 600 tr/min. Les courbes de puissance brute peuvent être consultées sur le site www.BRIGGSandSTRATTON.COM. Les valeurs données pour la puissance nette sont mesurées avec l'échappement ou le filtre à air installé tandis que les valeurs données pour la puissance brute sont recueillies sans ces accessoires. La puissance brute réelle du moteur sera plus élevée que la puissance nette du moteur et est affectée, entre autres, par les conditions atmosphériques de fonctionnement et les variations d'un moteur à l'autre. Compte tenu de la grande variété de machines sur lesquelles nos moteurs sont utilisés, il se peut que le moteur à essence ne développe pas la puissance nominale brute une fois qu'il est monté sur une machine particulière. Cette différence s'explique par un grand nombre de facteurs, y compris, sans toutefois s'y limiter, la diversité des composants du moteur (filtre à air, échappement, admission, refroidissement, carburateur, pompe à essence, etc.), limites d'utilisation, conditions ambiantes d'utilisation (température, humidité, altitude) et variations d'un moteur à l'autre. Pour des raisons de fabrication et de capacité limitées, Briggs & Stratton est susceptible de remplacer ce modèle par un moteur plus puissant.

Garantie

Garantie sur le moteur Briggs & Stratton

En vigueur à partir de janvier 2017

Garantie limitée

Briggs & Stratton garantit la réparation ou le remplacement gratuit, pendant la période de garantie spécifiée ci-dessous, de toute pièce présentant des défauts matériels ou de fabrication. Les frais de transport du produit à réparer ou remplacer seront, dans le cadre de cette garantie, à la charge de l'acheteur. Cette garantie court sur les périodes énoncées ci-dessous et est assujettie aux conditions énoncées ci-dessous. Pour le service de garantie, vous trouverez le centre de réparations agréé le plus proche dans notre carte des points de vente à l'adresse BRIGGSandSTRATTON.COM. L'acheteur doit contacter le distributeur agréé puis lui confier le produit à des fins d'inspection et de test.

Il n'existe aucune autre garantie expresse. Les garanties implicites, y compris celles de qualité marchande et d'adéquation à un usage particulier sont limitées à la période de garantie indiquée ci-dessous, ou dans la mesure permise par la loi. Les responsabilités relatives aux dommages consécutifs ou indirects sont exclues dès lors que cette exclusion est autorisée par la loi. Certains États ou pays ne permettent pas les limitations de durée de la garantie implicite. Certains États ou pays n'autorisent pas l'exclusion ou la limitation des dommages consécutifs ou indirects. Dans ce cas, l'exclusion et la limitation ci-dessus ne s'appliquent pas à votre cas. La présente garantie vous accorde certains droits légaux spécifiques et vous pourriez également en avoir d'autres, lesquels peuvent varier d'un État ou d'une province à l'autre et d'un pays à l'autre¹.

Conditions standards de la garantie 1, 2, 3

Marque / Type de produit	Utilisation par le consommateur	Usage professionnel
Vanguard™ ; série commerciale	36 mois	36 mois
Moteurs à chemise en fonte à alésage Dura-Bore™	24 mois	12 mois
Tous les autres moteurs	24 mois	3 mois

¹Ce sont nos conditions standards de garantie, mais il peut y avoir, de temps à autre, une garantie supplémentaire qui n'a pas été définie à la date de la publication. Pour connaître les modalités actuelles de garantie s'appliquant à votre moteur, visitez le site www.BRIGGSandSTRATTON.com ou contactez votre revendeur Briggs & Stratton agréé.

² Il n'y a aucune garantie sur les moteurs utilisés pour l'alimentation de base à la place des services publics ou des générateurs de secours utilisés à des fins commerciales. Les moteurs utilisés en course automobile ou avec un but d'exploitation commerciale ou de location ne sont pas garantis.

³ Vanguard installé sur des générateurs de secours : 24 mois en usage privé, aucune garantie pour une utilisation commerciale. Vanguard installé sur des véhicules utilitaires : 24 mois en usage privé, 24 mois pour une utilisation commerciale. La série commerciale dont la date de fabrication est antérieure à juillet 2017, 24 mois en usage privé, 24 mois pour une utilisation commerciale.

⁴ En Australie – Nos produits sont accompagnés de garanties qui ne peuvent être exclues en vertu de la loi australienne de protection du consommateur (Australian Consumer Law). Vous pouvez obtenir un remplacement ou un remboursement en cas de défaillance majeure ou en compensation de toute perte ou de tout dommage

survenus dans le cadre des conditions raisonnablement prévisibles d'utilisation du produit. Vous pouvez également bénéficier de la réparation ou du remplacement des produits si la qualité de ces derniers n'est pas acceptable et si le défaut n'entraîne pas de défaillance majeure. Pour les réparations couvertes par la garantie, trouvez le réparateur agréé le plus proche de chez vous au moyen de la carte localisatrice de nos revendeurs sur le site BRIGGSandSTRATTON.COM, ou en composant le 1-300-274-447, ou en envoyant un courrier électronique à salesenquires@briggsandstratton.com.au, ou en écrivant à Briggs & Stratton Australia Pty Ltd, 1 Moorebank Avenue, Moorebank, NSW, Australie, 2170.

La période de garantie débute à la date d'achat par le premier acheteur au détail ou par le premier utilisateur commercial final. L'utilisation en « usage privé » signifie que le produit sera utilisé par un consommateur au détail dans un but privé. L'« utilisation commerciale » indique toutes les autres utilisations possibles, y compris commerciales, créatrices de revenus ou locatives. Dès qu'un moteur a servi à des fins commerciales, il sera considéré comme un moteur pour une utilisation commerciale dans le cadre de la présente garantie.

Conservez le reçu de votre achat. Si vous ne fournissez pas la preuve de la date d'achat initiale au moment de la demande du service de garantie, la date de fabrication du produit sera retenue pour déterminer la période de garantie. L'enregistrement du produit n'est pas nécessaire pour bénéficier de la garantie sur les produits Briggs & Stratton.

Au sujet de votre garantie

Cette garantie limitée couvre le matériel relatif au moteur et/ou les problèmes de fabrication uniquement, et non le remplacement ou le remboursement de la machine sur lequel le moteur était installé. Les mises au point de routine, les réglages, les ajustements et l'usure normale ne sont pas couvertes par cette garantie. De même, la garantie ne s'applique pas si le moteur a été altéré ou modifié, ou si le numéro de série du moteur a été dégradé ou effacé. Cette garantie ne couvre pas les dommages du moteur ou les problèmes de performance dus à :

1. L'usage de pièces qui ne sont pas des pièces d'origine Briggs & Stratton ;
2. L'utilisation du moteur avec de l'huile en quantité insuffisante, contaminée ou d'un grade de lubrification inadapté ;
3. L'usage de carburant contaminé ou éventé, d'essence contenant plus de 10 % d'éthanol ou de carburants de remplacement tels que le pétrole liquéfié ou le gaz naturel sur des moteurs non conçus/fabriqués par Briggs & Stratton pour de tels carburants ;
4. Les saletés qui pénètrent dans le moteur du fait d'un entretien inadéquat du filtre à air ou de son remontage ;
5. Heurter un objet avec le couteau d'une tondeuse à gazon rotative, des adaptateurs de lames desserrés ou mal montés, des turbines ou tout autre dispositif couplé à un vilebrequin, ou un serrage excessif de la courroie en V ;
6. Les pièces associées ou ensembles tels que les embrayages, les transmissions, les commandes du matériel, etc. qui ne sont pas fournis par Briggs & Stratton ;
7. Surchauffe provoquée par l'herbe coupée, les saletés et les débris, ou les nids de rongeurs qui obstruent ou bouchent les ailettes de refroidissement ou la zone du volant moteur ou par le fonctionnement du moteur sans une aération suffisante ;
8. Des vibrations excessives provoquées par un surrégime, un montage mal serré du moteur, des lames ou turbines desserrées ou mal équilibrées, ou un mauvais couplage des composants du matériel au vilebrequin ;
9. Un abus, un manque d'entretien courant, l'expédition, la manutention ou l'entreposage de l'équipement ou une mauvaise installation du moteur.

Les services couverts par la garantie sont assurés par les distributeurs Briggs & Stratton agréés uniquement. Trouvez votre centre de services autorisé le plus proche en utilisant la carte localisatrice de nos revendeurs sur le site BRIGGSandSTRATTON.COM ou en appelant le 1-800-233-3723 (aux États-Unis).

80004537 (Rév. C)

Questo manuale contiene norme di sicurezza importanti per prevenire ogni rischio associato al motore. Contiene inoltre istruzioni sull'uso e la manutenzione corretta del motore. Poiché Briggs & Stratton non conosce necessariamente l'applicazione sulla quale verrà installato questo motore, è molto importante leggere e capire l'intero contenuto del manuale d'istruzioni dell'attrezzatura sulla quale è installato il motore. **Conservare l'originale delle presenti istruzioni per potervi fare riferimento in futuro.**

Nota: Le figure e le illustrazioni di questo manuale sono solo per riferimento e possono differire dallo specifico modello acquistato. Contattare il rivenditore se si hanno domande.

Per ordinare i ricambi o inviare eventuali richieste di assistenza, annotare qui i numeri di Modello, Tipo e Codice del motore insieme alla data di acquisto. Questi numeri si trovano sul motore (vedere la sezione **Caratteristiche e controlli**).

Data dell'acquisto:	
Modello del motore - Tipo - Trim	
Numero di serie del motore	

Cercare il codice a barre 2D riportato su alcuni motori. Quando viene visualizzato con un dispositivo abilitato al 2D, il codice rimanda al nostro sito web, dove è possibile accedere alle informazioni di supporto per questo prodotto. Si applicano gli indici di trasferimento dati. Alcuni Paesi potrebbero non disporre delle informazioni di supporto.



Informazioni sul riciclaggio

		Tutti gli imballaggi, l'olio esausto e le batterie dovrebbero essere smaltiti in conformità con le normative applicabili.
--	--	---

Sicurezza dell'operatore

Simbolo di avvertenza per la sicurezza e termini di segnalazione

Il simbolo di avvertenza per la sicurezza è utilizzato per segnalare le informazioni di sicurezza su rischi che possono portare a lesioni personali. Si usa un termine di segnalazione (PERICOLO, AVVERTENZA o ATTENZIONE) per indicare la probabilità o la gravità del rischio. Inoltre, per indicare il tipo di pericolo può essere utilizzato un simbolo di sicurezza.

PERICOLO indica un rischio che, se non evitato, **provocherà gravi lesioni o morte.**

AVVERTENZA indica un rischio che, se non evitato, **potrebbe avere come conseguenza morte o lesioni gravi.**

ATTENZIONE indica un rischio che, se non evitato, **potrebbe provocare lesioni minori o moderate.**

AVVISO indica un'azione che **potrebbe causare danni al prodotto.**

Simboli indicanti rischio e relativi significati

Simbolo	Significato	Simbolo	Significato
	Informazioni di sicurezza relative ai rischi che possono causare lesioni personali.		Prima di usare o riparare la macchina, leggere e comprendere il manuale per l'operatore.

Simbolo	Significato	Simbolo	Significato
	Pericolo di incendio		Pericolo di esplosione.
	Pericolo di scossa elettrica.		Pericolo di fumi tossici.
	Pericolo superfici estremamente calde		Pericolo acustico - Protezione auricolare raccomandata in caso di uso prolungato.
	Pericolo di lancio di oggetti - Indossare una protezione per gli occhi.		Pericolo di esplosione.
	Pericolo di congelamento.		Pericolo di contraccolpo
	Pericolo di amputazione - Parti in movimento		Pericolo chimico
	Pericolo di riscaldamento termico		Corrosivo

Messaggi sulla sicurezza

AVVERTENZA

Certi componenti di questo prodotto e i relativi accessori contengono sostanze chimiche che lo Stato della California ritiene essere causa di cancro, malformazioni alla nascita e altri problemi relativi all'apparato riproduttivo. Dopo averli maneggiati, lavarsi le mani.

AVVERTENZA

Gli scarichi emessi da questo prodotto contengono sostanze chimiche che lo Stato della California ritiene suscettibili di generare malattie quali cancro, malformazioni alla nascita e altri problemi relativi all'apparato riproduttivo.

AVVERTENZA

I motori Briggs & Stratton non sono progettati per essere usati su: fun-kart; go-kart; veicoli per bambini, ricreativi o fuori strada; motociclette, prodotti a camera ad aria, velivoli o veicoli impiegati in eventi competitivi non approvati da Briggs & Stratton. Per informazioni su prodotti da competizione, visitare il sito www.briggsracing.com. Per l'impiego su quad e motoslitte, contattare Briggs & Stratton Engine Application Center, 1-866-927-3349. L'uso scorretto del motore può provocare lesioni gravi o la morte.

AVVERTENZA

Il carburante e i suoi vapori sono estremamente infiammabili ed esplosivi.

Incendi ed esplosioni possono provocare gravi ustioni o morte.

Quando si rabbocca il carburante

- Spegner il motore e lasciarlo raffreddare per almeno 2 minuti prima di rimuovere il tappo del carburante.
- Rifornire il serbatoio del carburante all'esterno e in un'area ben ventilata.
- Non mettere troppo carburante nel serbatoio. Per consentire l'espansione del carburante, non riempire al di sopra del fondo del collo del serbatoio.
- Tenere il carburante lontano da scintille, fiamme libere, fiamme pilota e altre fonti di ignizione.

- Controllare spesso linee del carburante, serbatoio, tappo e accessori per eventuali lesioni o perdite. Sostituire se necessario.
- Se il carburante si versa, attendere che sia evaporato prima di avviare il motore.

Quando si avvia il motore

- Assicurarsi che candela, marmitta, tappo del carburante e filtro dell'aria (se in dotazione) siano al loro posto e fissati.
- Non far girare il motore senza candela.
- Se il motore si ingolfia, impostare la valvola dell'aria (se presente) in posizione OPEN/RUN, spostare l'acceleratore (se presente) in posizione FAST e tentare l'avviamento fino a che il motore si avvia.

Quando si utilizza lo spazzaneve

- Non inclinare il motore o l'attrezzatura al punto da provocare la fuoriuscita del carburante.
- Non aprire la valvola dell'aria del carburatore per arrestare il motore.
- Non avviare o mettere in funzione il motore senza gruppo filtro dell'aria (se presente) o filtro dell'aria (se presente).

Quando si cambia l'olio

- Se si spurga l'olio dalla parte superiore del tubo di rifornimento, il serbatoio del carburante deve essere vuoto altrimenti il carburante stesso può versarsi con rischio di incendio o esplosione.

Quando si inclina l'unità per la manutenzione

- Quando si eseguono interventi di manutenzione che richiedono l'inclinazione dell'unità, il serbatoio del carburante, se montato sul motore, deve essere vuoto, altrimenti il carburante potrebbe fuoriuscire, causando incendi o esplosioni.

Quando si trasporta lo spazzaneve

- Trasportare con il serbatoio del carburante VUOTO o con la valvola di intercettazione del carburante in posizione CHIUSA.

Immagazzinaggio del dispositivo con il combustibile nel serbatoio

- Conservare lontano da forni, stufe, caldaie o altri dispositivi con fiamme pilota o altre fonti di accensione in grado di infiammare i vapori del carburante.



AVVERTENZA

L'avvio del motore produce scintille.

Le scintille possono accendere gas infiammabili presenti nelle vicinanze.

Le conseguenze potrebbero essere esplosione o incendio.

- In caso di perdita di metano o GLP nell'area, non avviare il motore.
- Non usare fluidi di avvio pressurizzati perché i vapori sono infiammabili.



AVVERTENZA

PERICOLO GAS VELENOSO. Lo scarico del motore contiene monossido di carbonio, un gas velenoso che può uccidere in pochi minuti. **NON si vede, non ha gusto o odore.** Anche se non si respirano i fumi di scarico, è possibile comunque essere esposti al monossido di carbonio. In caso di malessere, sensazione di malessere o debolezza durante l'utilizzo del prodotto, arrestare il motore e dirigersi **IMMEDIATAMENTE** verso l'aria fresca. Consultare un medico. Potrebbe essersi verificato un avvelenamento da monossido di carbonio.

- Utilizzare questo prodotto SOLO all'aperto, lontano da finestre, porte o condotti di aerazione per ridurre il rischio che il monossido di carbonio possa accumularsi e spinto all'interno di spazi chiusi occupati.
- Installare gli allarmi monossido di carbonio a batteria o inserire allarmi monossido di carbonio con riserva a batteria seguendo le istruzioni del fabbricante. Gli allarmi per il fumo non possono rilevare il monossido di carbonio.
- **NON** utilizzare il prodotto all'interno di abitazioni, garage, cantine, locali interrati, capanni o altri spazi parzialmente chiusi, anche se dotati di ventole oppure porte e finestre aperte per la ventilazione. Il monossido di carbonio può accumularsi velocemente in tali spazi e ristagnare per ore, anche quando la macchina è stata spenta.
- Usare **SEMPRE** questo prodotto sottovento e puntare lo scarico del motore lontano da spazi occupati.



AVVERTENZA

Il ritorno rapido del cavo di avviamento (contraccolpo) strapperà la mano e il braccio verso il motore prima che si possa lasciare andare della manovella.

Ciò può causare rotture ossee, fratture, contusioni o distorsioni.

- Per avviare il motore, tirare lentamente l'impugnatura della fune finché non si sente una certa resistenza, quindi tirarla con forza per evitare il contraccolpo.
- Prima di avviare il motore, disinserire tutte le attrezzature esterne e gli eventuali carichi dal motore.
- I componenti ad accoppiamento diretto come lame, giranti, pulegge, pignoni, ecc. debbono essere saldamente bloccati alla PTO.



AVVERTENZA

Le parti rotanti possono toccare o intrappolare mani, piedi, capelli, indumenti o accessori.

Pericolo di amputazione o gravi lacerazioni.

- Utilizzare sempre l'attrezzatura con i carter protettivi in posizione.
- Tenere lontani mani e piedi dalle parti rotanti.
- Legare i capelli lunghi e togliere i gioielli.
- Non indossare indumenti larghi, stringhe lunghe o altri oggetti che potrebbero rimanere impigliati.



AVVERTENZA

I motori accesi generano calore. Alcune parti del motore, specialmente la marmitta, diventano estremamente calde.

In caso di contatto sussiste il rischio di gravi ustioni.

Detriti infiammabili come foglie, erba, arbusti, ecc. possono prendere fuoco.

- Prima di toccare, lasciare che marmitta, cilindro del motore e alette si raffreddino.
- Rimuovere i detriti accumulati dalla zona di marmitta e cilindro.
- La sezione 4442 del codice sulle risorse pubbliche della California vieta l'uso o l'operazione della macchina in zone forestali, zone cespugliose o zone erbose a meno che il sistema di scarico non sia dotato di parascintille, come definito nella sezione 4442, conservati in perfetta funzionalità. Esistono leggi simili anche in altri stati o zone federali. Contattare il costruttore originale o un rivenditore autorizzato per avere un apposito parascintille per il sistema di scarico installato su questo motore.



AVVERTENZA

Una scintilla accidentale può provocare un incendio oppure una scossa elettrica.

L'avvio accidentale può provocare schiacciamento, amputazione o lacerazione degli arti.

Pericolo d'incendio

Prima di eventuali regolazioni o riparazioni:

- Scollegare il cavo della candela e tenerlo lontano dalla stessa.
- Scollegare il terminale negativo della batteria (solamente sui motori ad avviamento elettrico).
- Usare solo attrezzi corretti.
- Non manomettere le molle del regolatore, i collegamenti o altre parti per aumentare la velocità del motore.
- I ricambi devono essere uguali e installati nella stessa posizione dei componenti originali. Ricambi diversi potrebbero non funzionare altrettanto bene, danneggiare l'unità e causare lesioni alle persone.
- Non battere il volano con un martello o un oggetto metallico in quanto si potrebbe lesionare ed esplodere durante il funzionamento.

In caso di verifica della scintilla:

- Usare un tester approvato per candele.
- Non controllare le scintille con la candela rimossa.

Caratteristiche e comandi

Comandi del motore

Confrontare l'illustrazione (Figura: 1, 2) con il motore in modo da prendere familiarità con la posizione dei vari comandi e delle funzioni.

- A. Numeri di identificazione del motore **Modello - Tipo - Codice**
- B. Candela
- C. Filtro dell'aria, basso profilo
- D. Asta di livello
- E. Rabbocco olio
- F. Filtro olio
- G. Tappo di scarico dell'olio
- H. Sensore di pressione dell'olio
- I. Griglia di aspirazione dell'aria
- J. Starter elettrico
- K. Solenoide di avviamento
- L. Regolatore/raddrizzatore
- M. Radiatore dell'olio (se presente)
- N. Silenziatore (se presente)
- O. Pompa del carburante
- P. Interruttore dello starter ¹
- Q. Controllo dell'acceleratore - Modelli di carburatore ¹
- R. Filtro del carburante (se presente)

¹ Alcuni motori e attrezzature sono dotati di comandi a distanza. Consultare il manuale della specifica attrezzatura per la posizione e il funzionamento dei comandi a distanza.

Simboli dei comandi del motore e relativi significati

Simbolo	Significato	Simbolo	Significato
	Velocità motore - VELOCE		Velocità motore - LENTO
	Velocità motore - STOP		ON - OFF
	Avvio motore - Comando dell'aria CHIUSO		Avvio motore - Comando dell'aria APERTO
	Tappo del carburante Rubinetto del carburante - APERTO		Rubinetto del carburante - CHIUSO
	Livello di carburante - massimo Non riempire troppo		

Funzionamento

Suggerimenti per l'olio

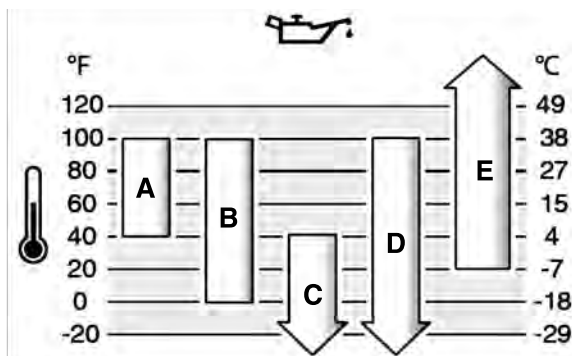
Capacità d'olio: Consultare il *Specifiche*.

NOTA

Il motore viene fornito dalla Briggs & Stratton senza olio. Costruttori o rivenditori potrebbero aver aggiunto dell'olio al motore. Prima di avviare il motore per la prima volta, assicurarsi di verificare il livello dell'olio e di aggiungerne se del caso secondo le istruzioni di questo manuale. Se si avvia il motore senza olio, i danni non potranno essere riparati e non saranno coperti dalla garanzia.

Per le migliori prestazioni, si consiglia l'uso di oli con certificato di garanzia Briggs & Stratton. Altri oli detergenti di alta qualità sono accettabili se classificati per servizio SF, SG, SH, SJ o superiore. Non utilizzare additivi speciali.

Le temperature esterne determinano la corretta viscosità dell'olio per il motore. Utilizzare lo schema per selezionare la migliore viscosità in base all'intervallo di temperature esterne previste. I motori di numerose attrezzature per esterni funzionano bene con olio sintetico 5W-30. Per attrezzature operate a temperature elevate, l'olio sintetico Vanguard™ 15W-50 fornisce la migliore protezione.



A	SAE 30 - Al di sotto di 40 °F (4 °C) l'uso di SAE 30 avrà come conseguenza un avvio difficile.
B	10W-30 - Al di sopra di 80 °F (27 °C) l'uso di 10W-30 può causare maggiore consumo di olio. Controllare il livello dell'olio più di frequente.
C	5W-30
D	Synthetic 5W-30
E	Vanguard™ Synthetic 15W-50

Controllare il livello dell'olio

Vedere Figura: 3

Prima di rabboccare o controllare il livello dell'olio

- Accertarsi che il motore sia a livello.
- Eliminare tutti i detriti dalla zona di riempimento dell'olio.

1. Togliere l'astina di livello (A, Figura 3) e pulire con un panno pulito.
2. Installare completamente l'astina (A, Figura 3).
3. Estrarre l'astina e controllare il livello dell'olio. Il livello dell'olio corretto è nella parte superiore dell'indicatore di pieno (B, Figura 3) sull'astina.
4. Se il livello dell'olio è basso, rabboccarlo lentamente nel motore (C, Figura 3). **Non riempire troppo.** Dopo aver aggiunto l'olio, attendere un minuto prima di verificarne nuovamente il livello.
5. Installare completamente l'astina (A, Figura 3).

Sistema di protezione olio basso (se presente)

Alcuni motori sono provvisti di un sensore di olio basso. Se il livello dell'olio è basso, il sensore attiverà una spia di allarme o arresterà il motore. Arrestare il motore e seguire la seguente procedura prima di riavviarlo.

- Accertarsi che il motore sia a livello.
- Controllare il livello dell'olio. Consultare la sezione **Controllare il livello dell'olio**.
- Se il livello dell'olio è basso, rabboccare con la quantità d'olio necessaria. Avviare il motore e accertarsi che la spia di allarme (se presente) non si accenda.
- Se il livello dell'olio non è basso, non avviare il motore. Contattare un Centro di Assistenza Autorizzato Briggs & Stratton per risolvere il problema dell'olio.

Raccomandazioni relative al carburante

È necessario che la benzina sia conforme a questi requisiti:

- Benzina pulita, nuova, senza piombo.
- Minimo 87 ottani/87 AKI (91 RON). Per uso ad altitudini elevate vedere in seguito.
- È ritenuta accettabile la benzina con un contenuto di etanolo (miscela benzina-alcol) fino al 10%.

NOTA non usare benzine non approvate, come E15 ed E85. Non aggiungere olio alla benzina né modificare il motore affinché possa operare con carburanti alternativi. L'uso di carburanti non approvati provoca danni ai componenti del motore, che non sono coperti da garanzia.

Per proteggere l'impianto del carburante da formazioni gommose, miscelare al carburante uno stabilizzante. Vedere **Stoccaggio**. Non tutti i carburanti sono uguali. Se si verificano problemi di avviamento o le prestazioni dell'unità non sono soddisfacenti, cambiare il fornitore o la marca del carburante. Questo motore è certificato per funzionare a benzina. Sistema di controllo delle emissioni di scarico: EM (Engine Modifications).

Altitudine elevata

Ad altitudini superiori a 1524 metri (5.000 piedi), è accettabile benzina con numero minimo di ottani 85/85 AKI (89 RON).

Per i motori carburati, è richiesta la regolazione per altitudine elevata per mantenere le performance. Il funzionamento senza regolazione causa degrado delle prestazioni, maggiore consumo di carburante e maggiori emissioni. Per informazioni sulla regolazione ad altitudini elevate, rivolgersi a un rivenditore autorizzato Briggs & Stratton. Se è impostata la regolazione per altitudini elevate, si sconsiglia di far funzionare del motore ad altitudini inferiori a 762 metri circa (2.500 piedi).

Per i motori a iniezione elettronica (EFI), non occorrono regolazioni per altitudine elevata.

Rifornimento di carburante

Vedere figura: 4



AVVERTENZA

Il carburante e i suoi vapori sono estremamente infiammabili ed esplosivi.

Un incendio oppure un'esplosione possono provocare gravi ustioni o morte.

Durante il rifornimento di carburante

- Spegner il motore e lasciarlo raffreddare per almeno 2 minuti prima di togliere il tappo del serbatoio del carburante.
 - Rifornire il serbatoio del carburante all'esterno e in un'area ben ventilata.
 - Non mettere troppo carburante nel serbatoio. Per consentire l'espansione del carburante, non riempire al di sopra del fondo del collo del serbatoio.
 - Tenere il carburante lontano da scintille, fiamme libere, fiamme pilota e altre fonti di ignizione.
 - Controllare spesso linee del carburante, serbatoio, tappo e accessori per eventuali lesioni o perdite. Sostituire se necessario.
 - Se il carburante si versa, attendere che sia evaporato prima di avviare il motore.
1. Liberare la zona intorno al tappo del carburante da sporco e detriti. Togliere il tappo del carburante.
 2. Rifornire il serbatoio (A, Figura 4) con il carburante. Per consentire l'espansione del carburante, non riempire al di sopra del fondo del collo del serbatoio (B).
 3. Rimontare il tappo del carburante.

Avviare e arrestare il motore

Vedere Figura: 5

Avviamento del motore



AVVERTENZA

Il carburante e i suoi vapori sono estremamente infiammabili ed esplosivi.

Incendi ed esplosioni possono provocare gravi ustioni o morte.

Quando si avvia il motore

- Assicurarsi che candela, marmitta, tappo del carburante e filtro dell'aria (se in dotazione) siano al loro posto e fissati.
- Non far girare il motore senza candela.
- Se il motore si ingolfia, impostare la valvola dell'aria (se presente) in posizione Aperto/Marcia (OPEN/RUN), spostare l'acceleratore (se presente) in posizione Veloce (FAST) e tentare l'avviamento fino a che il motore si avvia.



AVVERTENZA

PERICOLO GAS VELENOSO. Lo scarico del motore contiene monossido di carbonio, un gas velenoso che può uccidere in pochi minuti. **NON** si vede, non ha gusto o odore. Anche se non si respirano i fumi di scarico, è possibile comunque essere esposti al monossido di carbonio. Se ci si sente male, con una sensazione di malessere o debolezza utilizzando il prodotto, arrestare il motore ed uscire SUBITO all'aria fresca. Rivolgersi ad un medico. Potrebbe essersi verificato un avvelenamento da monossido di carbonio.

- Utilizzare questo prodotto SOLO all'aperto, lontano da finestre, porte o condotti di aerazione per ridurre il rischio che il monossido di carbonio possa accumularsi e spinto all'interno di spazi chiusi occupati.
- Installare gli allarmi monossido di carbonio a batteria o inserire allarmi monossido di carbonio con riserva a batteria seguendo le istruzioni del fabbricante. Gli allarmi per il fumo non possono rilevare il monossido di carbonio.
- NON utilizzare il prodotto all'interno di abitazioni, garage, cantine, locali interrati, capanni o altri spazi parzialmente chiusi, anche se dotati di ventole oppure porte e finestre aperte per la ventilazione. Il monossido di carbonio può accumularsi velocemente in tali spazi e ristagnare per ore, anche quando la macchina è stata spenta.
- Usare SEMPRE questo prodotto sottovento e puntare lo scarico del motore lontano da spazi occupati.

NOTA Il motore viene fornito dalla Briggs & Stratton senza olio. Prima di avviare il motore, assicurarsi di aggiungere olio secondo le istruzioni di questo manuale. Se si avvia il motore senza olio i danni non potranno essere riparati e non saranno coperti dalla garanzia.

Determinare il sistema di avviamento

Prima di avviare il motore, è necessario identificare il tipo di sistema di avviamento. Il motore è equipaggiato da uno dei seguenti tipi.

- **Sistema Electronic Fuel Injection (EFI):** Prevede l'iniezione elettronica del carburante. Non è dotato di starter o di primer.
- **Starter:** Prevede uno starter da utilizzare per l'accensione a basse temperature. Alcuni modelli prevedono un comando separato dello starter, mentre altri modelli sono dotati di un comando combinato dello starter e dell'acceleratore. Questo tipo non è dotato di primer.

Nota: L'attrezzatura può essere dotata di comandi a distanza. Consultare il manuale della specifica attrezzatura per la posizione e il funzionamento dei comandi a distanza.

Sistema Electronic Fuel Injection (EFI)

1. Controllare l'olio del motore. Consultare la sezione **Controllare il livello dell'olio**.
2. Verificare che i comandi delle attrezzature, se presenti, siano disinnestati.
3. Spostare la valvola di chiusura del carburante (A, Figura 5), se presente, in posizione OPEN.
4. Spostare il comando della farfalla in posizione SLOW.
5. Spingere l'interruttore di arresto (D, Figura 5), se presente, in posizione ON.
6. Portare l'interruttore del motorino di avviamento elettrico (E, Figura 5) sulla posizione ON o START.

NOTA Per prolungare la durata dello starter, usare cicli di avviamento brevi (al massimo, cinque secondi). Attendere un minuto prima di ripetere il tentativo di avviamento.

Nota: Se il motore non parte dopo ripetuti tentativi, contattare il rivenditore locale o visitare VanguardEngines.com o chiamare **1-800-999-9333** (negli USA).

Sistema starter

1. Controllare l'olio del motore. Consultare la sezione **Controllare il livello dell'olio**.
2. Verificare che i comandi delle attrezzature, se presenti, siano disinnestati.
3. Spostare la valvola di chiusura del carburante (A, Figura 5), se presente, in posizione OPEN.
4. Spostare il comando della farfalla in posizione FAST.
5. Tirare il comando dell'acceleratore (C, Figura 5), se presente, in posizione CLOSED.

Nota: Per avviare il motore con un impianto di alimentazione a secco (primo avviamento o in caso di esaurimento del carburante), è necessario tenere per più tempo il comando dell'aria in posizione di avviamento, per consentire alla pompa di alimentazione di adescare l'impianto di alimentazione.

- Spingere l'interruttore di arresto (D, Figura 5), se presente, in posizione ON.
- Portare l'interruttore a chiave (E, Figura 5) sulla posizione ON o START.
- Se il motore gira ma si spegne, spingere il comando dell'acceleratore (C, Figura 5) in posizione OPEN per avviare il motore.

NOTA Per prolungare la durata dello starter, usare cicli di avviamento brevi (al massimo, cinque secondi). Attendere un minuto prima di ripetere il tentativo di avviamento.

- Appena il motore si è riscaldato, spingere il comando dell'acceleratore (C, Figura 5) in posizione OPEN.

Nota: Se il motore non parte dopo ripetuti tentativi, contattare il rivenditore locale o visitare VanguardEngines.com o chiamare **1-800-999-9333** (negli USA).

Arrestare il motore



Il carburante e i suoi vapori sono estremamente infiammabili ed esplosivi.

Un incendio oppure un'esplosione possono provocare gravi ustioni o morte.

- Non aprire il comando dell'aria del carburatore, se presente, per arrestare il motore.
- Interruttore d'arresto, se previsto:** Spostare l'interruttore di arresto (D, Figura 5) in posizione OFF.
Interruttore d'arresto, se previsto: Con il comando della farfalla, se presente, in posizione SLOW, portare l'interruttore a chiave (E, Figura 5) in posizione OFF. Rimuovere la chiave e conservarla in un luogo sicuro fuori dalla portata dei bambini.
 - Appena il motore si ferma, portare la valvola di chiusura del carburante (A, Figura 5), se presente, in posizione CLOSED.

Manutenzione

NOTA Se durante la manutenzione il motore viene capovolto, il serbatoio del carburante, se montato sul motore, deve essere vuoto e il lato della candela deve essere verso l'alto. Se il serbatoio del carburante non è vuoto e il motore viene capovolto in qualunque altra direzione, può essere difficile l'avviamento a causa di contaminazione di olio o carburante nel filtro dell'aria e/o nella candela.



Quando si eseguono interventi di manutenzione che richiedono l'inclinazione dell'unità, il serbatoio del carburante deve essere vuoto, altrimenti si può verificare una perdita di carburante, causando incendi o esplosioni.

Si consiglia di contattare un rivenditore autorizzato Briggs & Stratton per tutte le operazioni di assistenza e manutenzione del motore e dei relativi componenti.

NOTA Tutti i componenti che compongono il motore in origine debbono rimanere montati nelle proprie sedi per un funzionamento corretto.



Una scintilla accidentale può provocare un incendio oppure una scossa elettrica.

L'avvio accidentale può provocare schiacciamento, amputazione o lacerazione degli arti.

Rischio di incendio

Prima di eventuali regolazioni o riparazioni

- Scollegare il cavo della candela e tenerlo lontano dalla stessa.
- Staccare il terminale negativo della batteria (solamente sui motori ad avviamento elettrico).
- Usare solo attrezzi corretti.
- NON manomettere le molle del regolatore, i leverismi o altre parti per aumentare la velocità del motore.
- I ricambi devono essere uguali e installati nella stessa posizione dei componenti originali. Ricambi diversi potrebbero non funzionare altrettanto bene, danneggiare l'unità e causare lesioni alle persone.
- Non battere il volano con un martello o un oggetto metallico in quanto si potrebbe lesionare ed esplodere durante il funzionamento.

In caso di verifica della scintilla

- Usare un tester approvato per candele.
- Non controllare le scintille con la candela rimossa.

Dichiarazione controllo emissioni

Solo personale o azienda che si occupa delle riparazioni dei motori in officina potranno procedere alla manutenzione, sostituzione o riparazione dei dispositivi e impianti di controllo delle emissioni. Per ottenere un servizio di controllo delle emissioni "gratuito", è necessario che il controllo stesso sia effettuato da un concessionario debitamente autorizzato dall'azienda. Consultare la Dichiarazione controllo emissioni.

Programma di manutenzione

Ogni 8 ore o giornalmente
<ul style="list-style-type: none"> Controllare il livello dell'olio motore Pulire l'area intorno al silenziatore e ai comandi
Ogni 100 ore oppure una volta l'anno
<ul style="list-style-type: none"> Sostituire le candele Cambiare l'olio motore Cambiare il filtro dell'olio (se presente) Eseguire la manutenzione sul filtro dell'aria ¹ Pulire il prefiltro (se presente) ¹ Smontaggio del sistema di scarico
Ogni 250 ore
<ul style="list-style-type: none"> Controllare il gioco della punteria. Regolare se necessario.
Ogni 400 ore oppure una volta l'anno
<ul style="list-style-type: none"> Sostituire il filtro dell'aria Sostituire il filtro del carburante Smontaggio del sistema di raffreddamento ¹ Pulire le alette del radiatore dell'olio ¹

¹ Pulire più frequentemente in condizioni di lavoro particolarmente gravose o nel caso in cui siano presenti detriti nell'aria.

Carburatore e velocità del motore

Non apportare mai modifiche al carburatore o alla velocità del motore. Il carburatore è impostato in fabbrica in modo da operare il modo efficiente nella maggior parte delle condizioni. Non manomettere le molle del regolatore, i collegamenti o altre parti per aumentare la velocità del motore. In caso siano necessarie delle regolazioni, rivolgersi a un Centro di assistenza autorizzato Briggs & Stratton.

NOTA Il produttore dell'attrezzatura specifica la velocità massima per il motore quando viene installato sull'attrezzatura. **Non superare** tale velocità. Se non si è sicuri della velocità massima dell'attrezzatura o quale velocità del motore sia stata impostata in fabbrica, contattare il Centro di assistenza autorizzato Briggs & Stratton per assistenza. Per un funzionamento sicuro e corretto dell'attrezzatura, la velocità del motore deve essere regolata solo da un tecnico dell'assistenza qualificato.

Manutenzione della candela

Vedere figura: 6

Controllare la distanza (A, Figura 6) con uno spessore (B). Se necessario, ripristinare la distanza. Montare e serrare la candela al valore di coppia prescritto. Per i valori della coppia di serraggio o della distanza, consultare la sezione **Specifiche**.

Nota: **In alcuni paesi per legge è obbligatorio l'uso di candele con resistore per la soppressione dei segnali di accensione. Se il motore, in origine, era dotato di una candela con resistore, sostituirla con una dello stesso tipo.

Smontaggio del sistema di scarico



I motori accesi generano calore. Alcune parti del motore, specialmente la marmitta, diventano estremamente calde.

In caso di contatto sussiste il rischio di gravi ustioni.

I detriti infiammabili, ad esempio foglie, erba, paglia, ecc. possono incendiarsi.

- Prima di toccare, lasciare che marmitta, cilindro del motore e alette si raffreddino.
- Rimuovere i detriti accumulati dalla zona di marmitta e cilindro.
- La sezione 4442 del codice sulle risorse pubbliche della California vieta l'uso o l'operazione della macchina in zone forestali, zone cespugliose o zone erbose a meno che l'unità non sia dotata di parascintille, come definito nella sezione 4442, conservati in perfetta funzionalità. Esistono leggi simili anche in altri stati o zone federali. Contattare un rivenditore autorizzato per avere un apposito parascintille per il sistema di scarico installato su questo motore.

Rimuovere i detriti accumulati dalla zona di marmitta e cilindro. Controllare il silenziatore per verificare l'eventuale presenza di incrinature, corrosione o altri danni. Rimuovere il parascintille, se in dotazione, e ispezionarlo per verificare se è danneggiato o se è presente un'occlusione provocata dal carbonio. Se si riscontrano danni, installare i pezzi di ricambio prima di mettere in funzione.



AVVERTENZA

I ricambi devono essere uguali e installati nella stessa posizione dei componenti originali. Ricambi diversi potrebbero non funzionare altrettanto bene, danneggiare l'unità e causare lesioni alle persone.

Cambiare l'olio motore

Vedere Figura: 7, 8, 9

L'olio esausto è un rifiuto pericoloso e deve essere smaltito correttamente. Non smaltire con i rifiuti domestici. Rivolgersi alle autorità locali, al centro assistenza o al rivenditore per le strutture di smaltimento/riciclo.

Rimuovere l'olio

1. Con il motore spento ma ancora caldo, scollegare i fili della candela (D, Figura 7) e tenerli lontani dalla candela (E).
2. Togliere l'astina (A, Figura 8).
3. Rimuovere il tappo di drenaggio dell'olio (F, Figura 9). Spurgare l'olio in un contenitore approvato.
4. Dopo aver scaricato l'olio, rimontare il tappo di drenaggio dell'olio e serrare (F, Figura 9).

Cambiare il filtro dell'olio, se presente

Alcuni motori sono provvisti di un filtro dell'olio. Per gli intervalli di sostituzione, consultare la **Tabella di manutenzione**.

1. Scaricare l'olio dal motore. Consultare la sezione **Rimuovere l'olio**.
2. Togliere il filtro dell'olio (G, Figura 9) e smaltirlo conformemente alle normative.
3. Prima di installare il nuovo filtro dell'olio, lubrificare la guarnizione del filtro dell'olio con un velo di olio fresco e pulito.
4. Installare il filtro dell'olio e serrare manualmente finché la guarnizione con tocca l'adattatore del filtro dell'olio, quindi serrare il filtro dell'olio di 1/2 - 3/4 di giro.
5. Rifornire di olio. Consultare la sezione **Rifornire di olio**.
6. Avviare e far girare il motore. Quando il motore si è riscaldato, controllare che non siano presenti perdite d'olio.
7. Fermare il motore e controllare il livello dell'olio. Il livello dell'olio corretto è nella parte superiore dell'indicatore di pieno (B, Figura 8) sull'astina.

Rifornire di olio

- Accertarsi che il motore sia a livello.
- Eliminare tutti i detriti dalla zona di riempimento dell'olio.
- Per la capacità dell'olio, vedere la sezione **Specifiche**.

1. Togliere l'astina di livello (A, Figura 8) e pulire con un panno pulito.
2. Rabboccare lentamente l'olio nel motore (C, Figura 8). **Non riempire troppo**. Dopo aver aggiunto l'olio, attendere un minuto prima di verificarne nuovamente il livello.
3. Installare e serrare l'astina di livello (A, Figura 8).
4. Estrarre l'astina e controllare il livello dell'olio. Il livello dell'olio corretto è nella parte superiore dell'indicatore di pieno (B, Figura 8) sull'astina.
5. Reinstallare e serrare l'astina di livello (A, Figura 8).
6. Collegare il/i filo/i della candela (D, Figura 7) alla candela stessa (E).

Manutenzione del filtro dell'aria

Vedere Figura: 10



AVVERTENZA

Il carburante e i suoi vapori sono estremamente infiammabili ed esplosivi.

Un incendio oppure un'esplosione possono provocare gravi ustioni o morte.

- Mai avviare né far funzionare il motore con il gruppo di filtraggio dell'aria (se presente) o il filtro dell'aria (se presente) rimosso.

NOTA Non usare aria pressurizzata né solventi per pulire il filtro. L'aria compressa può danneggiare il filtro, mentre i solventi possono corrodere.

Consultare la **Tabella di manutenzione** per i requisiti di assistenza.

Il sistema del filtro dell'aria utilizza un filtro in carta con pre-filtro opzionale. Il pre-filtro può essere lavato e riutilizzato.

1. Rimuovere i fermi (A, Figura 10).
2. Rimuovere il coperchio (B, Figura 10).
3. Rimuovere i fermi (C, Figura 10) e lo scodellino (D).
4. Rimuovere il filtro dell'aria (E, Figura 10).
5. Rimuovere il prefiltro (F, Figura 10), se presente, dal filtro dell'aria (E).
6. Per togliere i detriti, battere delicatamente il filtro dell'aria (E, Figura 10) su una superficie dura. Se il filtro dell'aria è troppo sporco, sostituirlo con uno nuovo.
7. Lavare il prefiltro (F, Figura 10), se presente, con detergente liquido e acqua. Farlo asciugare completamente. **Non** ungerlo il prefiltro.
8. Montare il prefiltro a secco (F, Figura 10), se presente, sul filtro dell'aria (E).
9. Installare il filtro dell'aria (E, Figura 10) e fissarlo con lo scodellino (D) e i fermi (C).
10. Installare il coperchio (B, Figura 10) e fissarlo con i fissanti (A). Assicurarsi che i fissanti siano stretti.

Manutenzione dell'impianto carburante

Vedere Figura: 11



AVVERTENZA

Il carburante e i suoi vapori sono estremamente infiammabili ed esplosivi.

Incendi ed esplosioni possono provocare gravi ustioni o morte.

- Tenere il carburante lontano da scintille, fiamme libere, fiamme pilota e altre fonti di ignizione.
- Controllare spesso linee del carburante, serbatoio, tappo e accessori per eventuali lesioni o perdite. Sostituire se necessario.
- Prima di pulire o sostituire il filtro del carburante, scaricare il serbatoio o chiudere la valvola di intercettazione del carburante.
- Se il carburante si versa, attendere che sia evaporato prima di avviare il motore.
- I ricambi devono essere uguali e installati nella stessa posizione dei componenti originali.

Filtro del carburante, se previsto

1. Prima di sostituire il filtro del carburante (A, Figura 11), se presente, svuotare il serbatoio del carburante o chiudere la valvola di intercettazione del carburante. In caso contrario, il carburante potrebbe fuoriuscire e causare incendi o esplosioni.
2. Utilizzare delle pinze per stringere le alette (B, Figura 11) sulle fascette (C), quindi far scorrere le fascette lontano dal filtro del carburante (A). Ruotare e sfilare i tubi di alimentazione del carburante (D) dal filtro del carburante.
3. Controllare che i tubi di alimentazione del carburante (D, Figura 11) non presentino crepe o perdite. Sostituire se necessario.
4. Sostituzione del filtro del carburante (A, Figura 11) con un filtro di ricambio originale.
5. Fissare i tubi di alimentazione del carburante (D, Figura 11) con le fascette (C) come illustrato.

Smontaggio del sistema di raffreddamento



AVVERTENZA

I motori accesi generano calore. Alcune parti del motore, specialmente la marmitta, diventano estremamente calde.

In caso di contatto sussiste il rischio di gravi ustioni.

I detriti infiammabili, ad esempio foglie, erba, paglia, ecc. possono incendiarsi.

- Prima di toccare, lasciare che marmitta, cilindro del motore e alette si raffreddino.
- Rimuovere i detriti accumulati dalla zona di marmitta e cilindro.

NOTA Non utilizzare acqua per pulire il motore. L'acqua potrebbe contaminare il sistema di carburante. Utilizzare un pennello o un panno asciutto per pulire il motore.

Questo motore è raffreddato ad aria. La presenza di detriti può restringere il flusso dell'aria e causare il surriscaldamento del motore, e ridurre le prestazioni e la durata del motore.

1. Utilizzando una spazzola o un panno asciutto, rimuovere i detriti dalla griglia di aspirazione dell'aria.
2. Tenere sempre puliti la tiranteria, le molle ed i comandi
3. Tenere pulita anche l'area vicino alla marmitta da materiali infiammabili
4. Accertarsi che le alette del radiatore dell'olio siano prive di sporcizia e detriti.

Nel tempo, è possibile che si accumulino dei detriti nelle alette di raffreddamento del cilindro e causano il surriscaldamento del motore. Questi detriti possono essere osservati senza smontare parzialmente il motore. Per l'ispezione e la pulizia del sistema di raffreddamento ad aria, contattare un Centro di assistenza autorizzato Briggs & Stratton conformemente alle raccomandazioni della **Tabella di manutenzione**.

Rimessaggio



AVVERTENZA

Il carburante e i suoi vapori sono estremamente infiammabili ed esplosivi.

Incendi ed esplosioni possono provocare gravi ustioni o morte.

Immagazzinaggio del dispositivo con il combustibile nel serbatoio

- Conservare lontano da forni, stufe, caldaie o altri dispositivi con fiamme pilota o altre fonti di accensione in grado di infiammare i vapori del carburante.

Impianto carburante

Vedere Figura: 12

Mettere in rimessaggio il motore a livello (posizione operativa normale). Riempimento del serbatoio del carburante (A, Figura 12) con carburante. Per consentire l'espansione del carburante, non riempire oltre la base del collo del serbatoio (B).

Se conservato per oltre 30 giorni, il carburante può scadere. La benzina vecchia causa la formazione di acido e depositi gommosi nell'impianto carburante o in componenti essenziali del carburatore. Per mantenere il carburante fresco usare **Stabilizzatore per carburante Advanced Formula Fuel Treatment & Stabilizer Briggs & Stratton**, disponibile nei punti vendita di ricambi originali Briggs & Stratton.

Non è necessario scaricare il carburante dal motore se viene aggiunto uno stabilizzante secondo le istruzioni. Prima del rimessaggio, far girare il motore per due (2) minuti per far circolare lo stabilizzante in tutto l'impianto carburante.

Se la benzina contenuta nel motore non è stata trattata con uno stabilizzante, deve essere scaricata in un contenitore approvato. Far funzionare il motore finché non si arresta per mancanza di carburante. Si consiglia l'uso di uno stabilizzante nel contenitore per mantenere la freschezza.

Olio motore

Con il motore ancora caldo, sostituire l'olio motore. Consultare la sezione **Cambiare l'olio motore**.

Individuazione e correzione dei problemi

Per assistenza, contattare il rivenditore locale o visitare VanguardEngines.com o chiamare **1-800-999-9333** (negli USA).

Specifiche

Modello: 611400, 613400, 61E400, 61G400	
Cilindrata	60.60 ci (993 cc)
Alesaggio	3.366 in (85,5 mm)
Corsa	3.406 in (86,5 mm)
Capacità olio	78 - 80 oz (2,3 - 2,4 L)
Distanza elettrodo candele	.030 in (.76 mm)
Coppia di serraggio candela	180 lb-in (20 Nm)
Intraferro indotto - Modelli di carburatore	.005 - .008 in (.13 - .20 mm)
Gioco punteria valvola di aspirazione	.004 - .006 in (.10 - .15 mm)
Gioco punteria valvola di scarico	.007 - .009 in (.18 - .23 mm)

La potenza del motore diminuisce del 3,5% ogni 300 metri (1.000 piedi) sul livello del mare e dell'1% ogni 5,6 °C (10 °F) al di sopra di 25 °C (77 °F). Il motore funzionerà in modo soddisfacente ad un'angolazione massima di 15°. Fare riferimento al Manuale dell'operatore dell'attrezzatura per i limiti di funzionamento in sicurezza sui tratti in pendenza.

Pezzi di ricambio - Modello: 611400, 613400, 61E400, 61G400

Ricambio	Codice
Filtro aria in carta (Figura 10)	692519
Pre-filtro (Figura 10)	692520
Olio - SAE 30	100028
Filtro olio	842921
Stabilizzatore per carburante Advanced Formula Fuel Treatment & Stabilizer	100117, 100120
Filtro del carburante	845125
Candela con resistore	491055
Candela al platino di lunga durata	5066
Chiave per candele	19374
Tester di scintilla	19368

Si consiglia di contattare un rivenditore autorizzato Briggs & Stratton per tutte le operazioni di assistenza e manutenzione del motore e dei relativi componenti.

Potenza nominale: La potenza nominale lorda per i singoli modelli di motore a benzina è etichettata in conformità con lo standard Small Engine Power & Torque Rating Procedure codice J1940 di SAE (Society of Automotive Engineers) ed è classificata conformemente a SAE J1995. I valori di coppia sono calcolati a 2600 RPM per i motori con la dicitura "rpm" in etichetta e a 3060 RPM per tutti gli altri motori; i valori di potenza in cavalli sono calcolati a 3600 RPM. Le curve di potenza lorda possono essere visualizzate sul sito www.BRIGGSandSTRATTON.COM. I valori di potenza netti sono ricavati con marmitta e filtro dell'aria installati mentre i valori di potenza lordi sono ricavati senza questi accessori. La potenza lorda reale del motore sarà superiore a quella netta ed è influenzata, fra altri fattori, da condizioni operative ambientali e variabilità da motore a motore. Data la vasta gamma di prodotti su cui sono installati i motori, il motore a benzina potrebbe non sviluppare la potenza lorda nominale quando usato su una data apparecchiatura. La differenza è dovuta a diversi fattori compreso, ma non esclusivamente, a varietà dei componenti del motore (filtro dell'aria, marmitta, carica, raffreddamento, carburatore, pompa del carburante, ecc.), restrizioni applicative, condizioni operative ambientali (temperatura, umidità, altitudine) e variabilità da motore a motore. A causa di limitazioni alla produzione e di capacità, Briggs & Stratton potrà sostituire questo motore di serie con un motore di potenza nominale superiore.

Garanzia

Garanzia per il motore Briggs & Stratton

Valida a partire da gennaio 2017

Garanzia limitata

Briggs & Stratton garantisce che, durante il periodo di garanzia specificato di seguito, provvederà alla riparazione o alla sostituzione gratuita di parti che presentino difetti di materiale o di lavorazione o entrambi. Le spese di trasporto del prodotto di cui si richiede la sostituzione o riparazione in garanzia sono a carico dell'acquirente. La presente garanzia risulta valida per il periodo di tempo indicato nel presente documento ed è soggetta alle condizioni indicate di seguito. Per l'assistenza in garanzia, trovare il più vicino Centro di Assistenza Autorizzato nel nostro localizzatore dei rivenditori all'indirizzo

BRIGGSandSTRATTON.COM. L'acquirente dovrà contattare il Centro di assistenza autorizzato e mettere a disposizione di quest'ultimo il prodotto per l'ispezione e la verifica.

Non vi è alcun'altra garanzia esplicita. Le garanzie implicite, comprese quelle di commerciabilità e idoneità ad uno scopo particolare, sono limitate al periodo di garanzia indicato di seguito o a quanto consentito dalla legge. La responsabilità per danni incidentali o consequenziali è esclusa nella misura prevista dalla legge. Alcuni Stati o Paesi non permettono limitazioni al periodo di validità di una garanzia implicita e alcuni stati o paesi non permettono l'esclusione o la limitazione della responsabilità per danni incidentali o indiretti, per cui le limitazioni sopra riportate potrebbero non applicarsi al vostro caso. La presente garanzia concede all'utente specifici diritti legali e lo stesso potrebbe avere altri diritti che variano da stato a stato o da Paese a Paese ⁴.

Termini standard di garanzia 1, 2, 3

Marca / Tipo di prodotto	Uso privato	Utente commerciale
Vanguard™; Serie commerciale	36 mesi	36 mesi
Motori con manicotti in ghisa Dura-Boret™	24 mesi	12 mesi
Tutti gli altri motori	24 mesi	3 mesi

¹I presenti costituiscono i termini standard di garanzia, ma occasionalmente può essere prevista un'ulteriore copertura della garanzia, non determinata al momento della pubblicazione. Per un elenco completo dei termini di garanzia attuali applicati al proprio motore, visitare il sito Web BRIGGSandSTRATTON.com, oppure contattare il centro di assistenza autorizzato Briggs & Stratton.

²La garanzia non è applicabile ai motori o ai dispositivi utilizzati per fornire potenza e non come accessorio o ai generatori di standby usati a fini commerciali. I motori utilizzati per corse sportive o su veicoli commerciali o per noleggio non sono coperti dalla garanzia.

³Vanguard installato sui generatori in standby: 24 mesi per uso privato, nessuna garanzia per uso commerciale. Vanguard installato su veicoli utilitari: 24 mesi per uso privato, 24 mesi per uso commerciale. Serie commerciale con data di produzione precedente a luglio 2017, 24 mesi per uso privato, 24 mesi per uso commerciale.

⁴In Australia - I nostri prodotti hanno garanzie che non possono essere escluse ai sensi della Australian Consumer Law. L'utente ha diritto alla sostituzione o al rimborso in caso di guasto grave e a un indennizzo per ogni altra perdita o danno ragionevolmente prevedibile. L'utente ha pertanto diritto alla riparazione o alla sostituzione della merce qualora questa non sia di qualità accettabile e il guasto non sia equiparabile a un guasto grave. Per l'assistenza in garanzia, trovare il centro di assistenza autorizzato più vicino usando il nostro strumento di ricerca concessionari sul sito web BRIGGSandSTRATTON.com, chiamando il numero 1300 274 447, inviando una e-mail a salesenquiries@briggsandstratton.com.au o scrivendo a Briggs & Stratton Australia Pty Ltd, 1 Moorebank Avenue, Moorebank, NSW, Australia, 2170.

Il periodo di garanzia decorre dalla data di acquisto originale del primo acquirente, sia esso un utente consumatore o professionale. Per "uso privato" si intende l'utilizzo effettuato da un acquirente al dettaglio presso la propria residenza. Per "uso commerciale" si intendono tutti gli altri usi, compresi gli usi commerciali, che generano reddito o il noleggio. Dopo che un motore è stato utilizzato ad uso professionale, sarà sempre classificato come motore per uso professionale ai fini di questa polizza di garanzia.

Conservare lo scontrino di ricevuta dell'acquisto. Qualora l'acquirente non sia in grado di fornire la prova della data dell'acquisto iniziale nel momento della richiesta di assistenza, il periodo di garanzia verrà determinato utilizzando la data di produzione. Ai fini dell'applicazione della garanzia, non è necessaria la registrazione del prodotto Briggs & Stratton.

Informazioni sulla garanzia

La presente garanzia copre esclusivamente i difetti del motore dovuti a difetti di materiale e/o lavorazione e non la sostituzione o il rimborso dell'attrezzatura sulla quale il motore può essere installato. La presente garanzia non copre la manutenzione di routine, le regolazioni, le correzioni o la normale usura. Inoltre, la presente garanzia non si applica in caso di alterazioni o modifiche del motore o in caso di rimozione o manomissione del numero di serie. La presente garanzia non copre danni al motore o problemi di performance causati da:

1. L'uso di pezzi non originali Briggs & Stratton;
2. Azionamento del motore con un olio lubrificante insufficiente, impuro o di grado scorretto;
3. L'uso di carburante impuro o vecchio, benzine formulate con un contenuto di etanolo superiore al 10% o l'uso di carburanti alternativi, come GPL o gas naturale su motori che non erano originariamente progettati/fabbricati da Briggs & Stratton per lavorare con simili carburanti;
4. Sporizia penetrata all'interno del motore a causa di manutenzione e rimontaggio non corretti del filtro dell'aria;
5. L'urto contro un oggetto solido da parte della lama di taglio di una falciatrice rotativa, adattatori delle lame, giranti o altri dispositivi accoppiati all'albero motore allentati o installati scorrettamente oppure a causa di un'eccessiva tensione della cinghia trapezoidale;

6. Parti combinate o gruppi quali frizioni, trasmissioni, attrezzature di controllo, ecc., non forniti da Briggs & Stratton;
7. Surriscaldamento causato da residui d'erba, sporizia e detriti o nidi di roditori che tappano o intasano le alette di raffreddamento o l'area del volano o dall'azionamento del motore senza ventilazione sufficiente;
8. Vibrazioni eccessive causate da velocità eccessiva, montaggio del motore allentato, lame di taglio o giranti allentate o sbilanciate o accoppiamento improprio dei componenti dell'attrezzatura sull'albero motore;
9. Uso improprio, assenza di manutenzione di routine, spedizione, manipolazione o magazzinaggio dell'attrezzatura o installazione scorretta del motore.

L'assistenza in garanzia è disponibile esclusivamente presso i rivenditori Briggs & Stratton autorizzati. Trovate il Centro di assistenza autorizzato più vicino sulla mappa all'indirizzo BRIGGSandSTRATTON.COM o chiamate il 1-800-233-3723 (negli USA).

80004537 (Rev. C)

Deze handleiding bevat veiligheidsinformatie om u bewust te maken van de gevaren en risico's die verband houden met motoren, evenals hoe deze te voorkomen. Daarnaast leest u in deze handleiding hoe u de motor op de juiste manier gebruikt en onderhoudt. Omdat Briggs & Stratton niet noodzakelijkerwijs weet welke machine deze motor aandrijft, is het belangrijk dat u deze instructies en die van de machine die deze motor aandrijft leest en begrijpt. **Bewaar deze originele instructies voor toekomstig gebruik.**

Opmerking: De afbeeldingen en illustraties in deze handleiding zijn uitsluitend bedoeld als referentie en kunnen afwijken van uw eigen model. Neem bij vragen contact op met uw dealer.

Noteer ten behoeve van vervangingsonderdelen of technische ondersteuning hieronder het motormodel, het type en de codenummers, evenals de aanschafdatum. Deze nummers staan op uw motor (zie het deel **Kenmerken en bedieningsfuncties**).

Aankoopdatum	
Motormodel - Type - Uitrusting	
Serienummer motor	

Zoek de 2D-streepjescode die op sommige motoren staat. Wanneer u deze code met een voor 2D geschikt apparaat scant, wordt de website geopend waar u ondersteuningsinformatie voor dit product vindt. Daarbij kunnen er kosten voor data worden aangerekend. In sommige landen kan de online ondersteuningsinformatie niet beschikbaar zijn.



Symbol	Betekenis	Symbol	Betekenis
	Brandgevaar		Explosiegevaar.
	Brandgevaar		Gevaar voor giftige dampen
	Gevaar voor hete oppervlakken		Gevaar voor geluid - Oorbescherming aanbevolen bij langdurige blootstelling.
	Gevaar voor weggeworpen onderwerpen - Draag oogbescherming.		Explosiegevaar.
	Gevaar voor bevriezing		Gevaar voor terugslag
	Gevaar voor amputatie - bewegende onderdelen		Gevaar voor chemicaliën
	Gevaar voor thermische warmte		Corrosief

Recyclingsinformatie

		Alle verpakkingen, gebruikte olie en batterijen moeten worden gerecycled conform de geldende overheidsvoorschriften.
--	--	--

Veiligheid van de gebruiker

Veiligheidssymbool en signaalwoorden

Het veiligheidssymbool wordt gebruikt om veiligheidsinformatie aan te duiden over gevaren die kunnen leiden tot lichamelijk letsel. Een signaalwoord (GEVAAR, WAARSCHUWING of VOORZICHTIG) wordt samen met het veiligheidssymbool gebruikt om te wijzen op de waarschijnlijkheid en de mogelijke ernst van het letsel. Ook kan een gevarensymbool worden gebruikt om het soort gevaar aan te duiden.

GEVAAR duidt op een gevaar dat, indien het niet wordt voorkomen, **zal resulteren in de dood of ernstig letsel.**

WAARSCHUWING duidt op een gevaar dat, indien het niet wordt voorkomen, **kan resulteren in de dood of ernstig letsel.**

VOORZICHTIG duidt op een gevaar dat, indien het niet wordt voorkomen, **kan resulteren in licht of matig letsel.**

OPGEPAST duidt op een situatie die **kan resulteren in schade aan het product.**

Gevarensymbolen en hun betekenis

Symbol	Betekenis	Symbol	Betekenis
	Veiligheidsinformatie over gevaren die kunnen leiden tot letsel.		Zorg dat u de gebruiksaanwijzing hebt gelezen en begrepen voordat u de eenheid bedient of onderhoud aan de eenheid uitvoert.

Veiligheidsmededelingen

WAARSCHUWING

Bepaalde onderdelen van dit product en de bijbehorende accessoires bevatten chemische stoffen waarvan bekend is in de staat Californië dat ze kanker, geboortefwijkingen en andere voortplantingsrisico's veroorzaken. Was uw handen na werken met de accu.

WAARSCHUWING

De motoruitlaatgassen van dit toestel bevatten chemische stoffen waarvan bekend is in de staat Californië dat ze kanker of geboortefwijkingen veroorzaken of andere voortplantingsrisico's inhouden.

WAARSCHUWING

De motoren van Briggs & Stratton zijn niet bedoeld voor en mogen niet worden gebruikt met: funkarts, go-karts, kinder-, vrijetijds- of terreinvoertuigen (ATV's), motorfietsen, hovercrafts, luchtvaartproducten of voertuigen die worden gebruikt bij wedstrijden die niet zijn goedgekeurd door Briggs & Stratton. Ga voor meer informatie over producten voor racewedstrijden naar www.briggsracing.com. Neem bij gebruik met voertuigen voor openbare voorzieningen en buggy's contact op met Briggs & Stratton Engine Application Center, 1-866-927-3349. Verkeerd gebruik van motoren kan leiden tot ernstig of zelfs fataal letsel.

WAARSCHUWING
Brandstof en brandstofdampen zijn uiterst ontvlambaar en explosief.

Brand of explosie kan ernstige brandwonden of dodelijk letsel veroorzaken.

Bij het toevoegen van brandstof

- Schakel de motor uit en laat de motor ten minste gedurende 2 minuten afkoelen voordat u de benzinedop verwijderd.
- Vul de brandstoftank buiten of in een goed geventileerde ruimte.
- Vul de brandstoftank niet te veel. Vul de brandstoftank niet tot boven de onderkant van de nek zodat de brandstof kan uitzetten.

- Houd de brandstof uit de buurt van vonken, open vlammen, waakvlammen, hitte en andere ontstekingsbronnen.
- Controleer brandstofleidingen, tank, vuldop en koppelingen regelmatig op barsten of lekken. Vervang deze, indien noodzakelijk.
- Indien brandstof wordt gemorst, dient u te wachten tot deze verdampt is voordat u de motor start.

Bij het starten van motor

- Zorg dat de bougie, de geluiddemper, de benzinedop en het luchtfilter (indien aanwezig) aanwezig zijn en goed vastzitten.
- Probeer de motor niet te starten als de bougie verwijderd is.
- Als de motor verzuipt, zet de choke (indien aanwezig) in de stand OPEN/DRAAIEN, zet de gashendel (indien aanwezig) in de stand SNEL en start de motor totdat deze aanslaat.

Tijdens het bedienen van de machine

- De motor of machine NIET kantelen tot een hoek die veroorzaakt dat brandstof gemorst wordt.
- Choke de carburateur niet om de motor te stoppen.
- Start of laat de motor niet draaien als de lucht filtereenheid (indien aanwezig) of het luchtfilter (indien aanwezig) is verwijderd.

Olie verversen

- Als u de olie aftapt uit de olievul buis boven, dan moet de brandstoftank leeg zijn, anders kan er brandstof uitlekken wat kan leiden tot brand en explosie.

Wanneer de unit gekanteld wordt voor onderhoud

- Wanneer er onderhoud wordt uitgevoerd waarvoor de eenheid moet worden gekanteld, dient de brandstoftank leeg te zijn. Anders kan er brandstof uit lekken, wat kan leiden tot brand en explosie.

Transporteren van de machine

- Vervoeren met brandstoftank LEEG of met brandstofafsluitklep in de GESLOTEN stand.

Bij het opslaan van brandstof of machines met brandstof in de tank

- Opslaan uit de buurt van fornuizen, kachels, geisers of boilers of andere apparaten die een waakvlam bevatten of andere ontstekingsbronnen, omdat deze brandstofdampen kunnen doen ontbranden.



WAARSCHUWING

Starten van motor gaat gepaard met vonkvorming.

Vonkvorming kan ontvlambare gassen in de buurt doen ontsteken.

Dit kan leiden tot een explosie of brand.

- Indien zich aardgas of LPG lekkage in de buurt bevindt, de motor niet starten.
- Gebruik geen onder druk staande startvloeistoffen omdat de dampen brandbaar zijn.



WAARSCHUWING

GEVAAR VAN GIFTIG GAS. Motoruitlaatgassen bevatten koolmonoxide, een giftig gas dat u binnen enkele minuten kan doden. U kunt het NIET zien, ruiken of proeven. Ook al ruikt u de uitlaatgassen niet, u kunt toch zijn blootgesteld aan koolmonoxide. Als u zich tijdens het gebruik van dit apparaat misselijk, duizelig of zwak begint te voelen, schakel het dan uit, en ga **METEEN** de frisse lucht in. Raadpleeg een arts. Het kan zijn dat u koolmonoxidevergiftiging heeft.

- Gebruik dit product ALLEEN buiten en ver weg van ramen, deuren en ventilatieopeningen om te voorkomen dat koolmonoxidegas zich kan verzamelen en in deze bewoonde ruimten terecht kan komen.
- Plaats koolmonoxidemelders op batterijen of melders op netvoeding met reservebatterij volgens de instructies van de fabrikant. Rookmelders kunnen geen koolmonoxide detecteren.
- Gebruik dit product NIET in huizen, garages, kelders, kruipruimten, schuurtjes of andere gedeeltelijk afgesloten ruimten, ook niet met gebruik van ventilatoren of met geopende deuren en of ramen als ventilatie. In deze ruimten kan snel koolmonoxide worden gevormd en dit kan uren blijven hangen, zelfs als het product al is uitgeschakeld.
- Plaats dit product ALTIJD met de wind mee en richt de motoruitlaat altijd van gebruikte ruimtes weg.



WAARSCHUWING

Wanneer het startkoord zich snel terugtrekt (terugslag), worden uw hand en arm sneller naar de motor getrokken dan u kunt loslaten.

Gebroken botten, kneuzingen of verstuikingen kunnen het resultaat zijn.

- Trek bij het starten van de motor het startkoord langzaam uit tot er weerstand gevoeld wordt en trek dan snel om terugslag te voorkomen.
- Verwijder alle externe machine-/motorbelastingen voordat de motor gestart wordt.
- Direct verbonden machinecomponenten zoals, maar niet beperkt tot, messen, aandrijvingen, poelies, tandwielen enz., moeten stevig bevestigd zijn.



WAARSCHUWING

Handen, voeten, haren, kleding of accessoires kunnen tegen ronddraaiende onderdelen aan komen of er tussen beklemd raken.

Traumatische amputatie of ernstige verscheuring kan het resultaat zijn.

- De machine gebruiken met afschermingen op hun plaats.
- Houd handen en voeten weg van draaiende onderdelen.
- Bind lang haar bij elkaar en doe uw sieraden af.
- Draag geen loszittende kleding, hangende koorden of zaken die verstrikt kunnen raken.



WAARSCHUWING

Draaiende motoren produceren warmte. Motoronderdelen, vooral geluiddempers, worden uiterst heet.

Dit kan, bij aanraking, leiden tot ernstige brandwonden.

Brandbare resten, zoals bladeren, gras, snoeihout enz. kunnen vlam vatten.

- Laat de geluiddemper, motorcilinder en vinnen afkoelen voor u ze aanraakt.
- Verwijder opgehoopt vuil uit de gebieden rondom de geluiddemper en de cilinder.
- Overeenkomstig de California Public Resource Code Section 4442 is het verboden de motor te gebruiken in de buurt van een bos-, kreupelhout- of grasgebied tenzij het uitlaatsysteem is uitgerust met een vonkenvanger, zoals gedefinieerd in Section 4442, die in goede staat wordt gehouden. Andere staten en federale jurisdicties kunnen soortgelijke wetgeving hebben. Neem contact op met de fabrikant, verkoper of dealer om een vonkenvanger te verkrijgen die geschikt is voor het op deze motor gemonteerde uitlaatsysteem.



WAARSCHUWING

Onbedoelde vonken kunnen resulteren in brand of een elektrische schok.

Ongewild starten kan leiden tot bekneling, traumatische amputatie of scheurwonden.

Brandgevaar

Vóór het uitvoeren van instellingen of reparaties:

- Maak de bougie kabel los en houd de kabel op veilige afstand van de ontstekingsbougie.
- Koppel de minkabel van de accu los (alleen bij maaiers met elektrisch starten).
- Gebruik alleen correct gereedschap.
- Verander niets aan de reguleator, koppelingen of andere onderdelen om het motortoerental te verhogen.
- Vervangende onderdelen moeten identiek zijn aan en op dezelfde positie worden geïnstalleerd als de originele onderdelen. Andere onderdelen zullen minder goed werken, kunnen de maaier beschadigen en kunnen letsel veroorzaken.
- Sla niet met een hamer of hard voorwerp tegen het vliegwiel omdat het vliegwiel anders later uit elkaar kan vliegen tijdens gebruik.

Bij het testen op vonkvorming:

- Gebruik een goedgekeurde bougie tester.
- Controleer niet op vonkvorming wanneer de bougie verwijderd is.

Kenmerken en bedieningselementen

Bedieningselementen van de motor

Vergelijk de illustratie (afbeelding: 1, 2) met uw motor om uzelf vertrouwd te maken met de plaats van de diverse functies en bedieningselementen.

- A. Motoridentificatienummers **Model - Type - Code**
- B. Bougie
- C. LuchtfILTER, laag profiel
- D. Peilstok
- E. Olievulopening
- F. Oliefilter
- G. Olieaftapplug
- H. Oliehuksensor
- I. Luchtinlaatrooster
- J. Elektrische starter
- K. Starterspoel
- L. Regelaar/gelijkrichter
- M. Oliekoeler (indien aanwezig)
- N. Geluiddemper (indien aanwezig)
- O. Brandstofpomp
- P. Starterschakelaar ¹
- Q. Chokeregeling - Carburateurmodellen ¹
- R. Brandstoffilter (indien aanwezig)

¹ Sommige motoren en apparatuur hebben afstandsbedieningen. Kijk in de betreffende handleiding voor de locatie en de bediening van de afstandsbediening.

Machinebedieningssymbolen en hun betekenis

Symbol	Betekenis	Symbol	Betekenis
	Motortoerental - SNEL		Motortoerental - LANGZAAM
	Motortoerental - STOP		AAN - UIT
	Motor starten - choke GESLOTEN		Motor starten - choke OPEN
	Brandstofvuldop Brandstofkraan - OPEN		Brandstofkraan - GESLOTEN
	Brandstofniveau - Maximum Voeg niet te veel brandstof toe		

Bediening

Aanbevolen olie

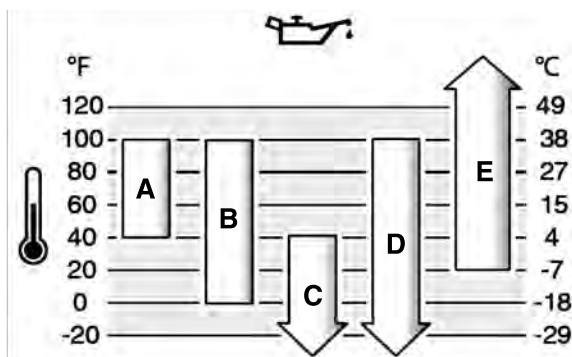
Oliecapaciteit: Bekijk de **Specificaties**.

OPGEPAST

Deze motor werd door Briggs & Stratton zonder olie op transport gezet. Machinefabrikanten of dealers hebben mogelijk olie aan de motor toegevoegd. Voordat u de motor voor de eerste keer start, moet u het olieniveau controleren en de motor met olie vullen volgens de instructies in deze handleiding. Als u de motor zonder olie start, zal deze onherstelbaar worden beschadigd. Dit valt niet onder de garantie.

Voor de beste prestaties raden wij het gebruik van Briggs & Stratton Warranty Certified oliesoorten aan. U kunt ook andere hoogwaardige soorten reinigingsolie gebruiken, als deze geschikt zijn voor SF, SG, SH, SJ of hoger. Gebruik geen speciale additieven.

De buitentemperaturen bepalen de juiste olie viscositeit voor de motor. Bepaal met behulp van de tabel de beste viscositeit voor het verwachte buitentemperatuurbereik. Motoren op tuinmachines opereren goed met 5W-30 Synthetische olie. Voor apparatuur die wordt gebruikt onder hoge temperaturen biedt Vanguard™ 15W-50 Synthetische olie de beste bescherming.



A	SAE 30 - Onder 4°C (40°F) zal het gebruik van SAE 30 leiden tot problemen bij het starten.
B	10W-30 - Boven 27°C (80°F) kan het gebruik van 10W-30 leiden tot een hoger olieverbruik. Controleer het oliepeil vaker.
C	5W-30
D	Synthetisch 5W-30
E	Vanguard™ Synthetisch 15W-50

Oliepeil controleren

Zie afbeelding: 3

Voordat de olie bijgevuld of gecontroleerd wordt

- Zorg ervoor dat de motor waterpas staat.
- Verwijder eventueel vuil uit het olievlgebied.

1. Verwijder de peilstok (A, afbeelding 3) en veeg deze af met een schone doek.
2. Steek de peilstok helemaal in (A, afbeelding 3).
3. Verwijder de peilstok en controleer het oliepeil. Het oliepeil is correct als het bovenaan bij de indicator voor vol (B, afbeelding 3) op de peilstok staat.
4. Als het oliepeil laag is voegt u langzaam olie toe via de olievulopening (C, afbeelding 3). **Vul niet te veel bij.** Wacht na het bijvullen één minuut en controleer het oliepeil dan nogmaals.
5. Steek de peilstok helemaal in (A, afbeelding 3).

Oliepeilcontrolesysteem (indien aanwezig)

Sommige motoren zijn voorzien van een oliepeilsensor. Als het oliepeil laag is, activeert de sensor een waarschuwinglampje of wordt de motor uitgeschakeld. Schakel de motor uit en voer deze stappen uit voordat u de motor weer start.

- Zorg ervoor dat de motor waterpas staat.
- Controleer het oliepeil. Zie het deel **Oliepeil controleren**.
- Als het oliepeil laag is, moet u de juiste hoeveelheid olie toevoegen. Start de motor en controleer of het waarschuwinglampje (indien aanwezig) niet is geactiveerd.
- Als het oliepeil niet laag is, start de motor niet. Raadpleeg een erkende Briggs & Stratton-dealer voor instructies over de afstelling voor grote hoogtes.

Aanbevolen brandstof

De brandstof moet aan deze eisen voldoen:

- Schone, verse, loodvrije benzine.
- Minimaal 87 octaan/87 AKI (91 RON). Zie hieronder voor gebruik op grote hoogte.
- Benzine met tot 10% ethanol (gasahol) is toegestaan.

OPGEPAST Gebruik geen benzine die niet is goedgekeurd zoals E15 en E85. Meng geen olie in de benzine en pas de motor niet aan voor alternatieve brandstoffen. Het gebruik van niet-goedgekeurde brandstoffen zal schade veroorzaken aan onderdelen van de motor. Dit wordt niet gedekt door de garantie.

Voeg een brandstofstabilisator aan de brandstof toe om het brandstofsysteem tegen gromvorming te beschermen. Zie **Opslag**. Niet alle brandstoffen zijn gelijk. Verander bij start- of prestatieproblemen van tankstation of merk. Deze motor is gecertificeerd om op benzine te lopen. Het emissieregelsysteem voor deze motor is EM (Engine Modifications).

Grote hoogte

Op hoogtes van meer dan 1.524 meter (5.000 voet) is benzine met minimaal 85 octaan/85 AKI (89 RON) toegestaan.

Motoren met carburateur moeten worden afgesteld om hun prestaties te behouden. Gebruik zonder deze afstelling veroorzaakt slechtere prestaties, een hoger brandstofverbruik en toegenomen emissies. Raadpleeg een erkende Briggs & Stratton-dealer voor instructies over de afstelling voor grote hoogtes. Het gebruik van de motor op hoogtes van minder dan 762 meter met de set voor grote hoogtes wordt niet aanbevolen.

Motoren met elektronische brandstofinjectie (EFI) hoeven niet voor grote hoogtes te worden afgesteld.

Brandstof bijvullen

Zie Afbeelding 4



Brandstof en brandstofdampen zijn uiterst brandbaar en explosief.

Brand of explosie kan ernstige brandwonden of de dood veroorzaken.

Bij het bijvullen van brandstof

- Schakel de motor uit en laat de motor ten minste gedurende 2 minuten afkoelen voordat u de benzinedop verwijdert.
 - Vul de brandstoftank buiten of in een goed geventileerde ruimte.
 - Vul de brandstoftank niet te veel. Vul de brandstoftank niet tot boven de onderkant van de hals, zodat de brandstof kan uitzetten
 - Houd de brandstof uit de buurt van vonken, open vlammen, waakvlammen, hitte en andere ontstekingsbronnen.
 - Controleer brandstofleidingen, tank, vuldop en koppelingen regelmatig op barsten of lekken. Vervang deze, indien noodzakelijk
 - Indien brandstof wordt gemorst, dient u te wachten tot deze verdampt is voordat u de motor start.
1. Reinig het gebied rond de tankdop. Verwijder de tankdop.
 2. Vul de brandstoftank (A, Afbeelding 4) met brandstof. Vul de brandstoftank niet tot boven de onderkant van de nek zodat de brandstof kan uitzetten.
 3. Draai de tankdop weer vast.

De motor starten en stoppen

Zie afbeelding: 5

De motor starten



Brandstof en brandstofdampen zijn uiterst ontvlambaar en explosief.

Brand of explosie kan ernstige brandwonden of dodelijk letsel veroorzaken.

Bij het starten van motor

- Zorg dat de bougie, de geluiddemper, de benzinedop en het luchtfilter (indien aanwezig) aanwezig zijn en goed vastzitten.
- Probeer de motor niet te starten als de bougie verwijderd is.
- Als de motor verzuipt, zet de choke (indien aanwezig) in de stand OPEN/DRAAIEN (OPEN/RUN), zet de gashendel (indien aanwezig) in de stand SNEL en start de motor totdat deze aanslaat.



GEVAAR VAN GIFTIG GAS. Motoruitlaatgassen bevatten koolmonoxide, een giftig gas dat u binnen enkele minuten kan doden. U kunt het NIET zien, ruiken of proeven. Ook al ruikt u de uitlaatgassen niet, u kunt toch zijn blootgesteld aan koolmonoxide. Als u zich tijdens het gebruik van dit product misselijk, duizelig of zwak begint te voelen, schakel het dan uit, stap er af en ga METEEN de frisse lucht in. Raadpleeg een arts. Het kan zijn dat u koolmonoxidevergiftiging heeft.

- Gebruik dit product ALLEEN buiten en ver weg van ramen, deuren en ventilatieopeningen om te voorkomen dat koolmonoxidegas zich kan verzamelen en in deze bewoonde ruimten terecht kan komen.
- Plaats koolmonoxidemelders op batterijen of melders op netvoeding met reservebatterij volgens de instructies van de fabrikant. Rookmelders kunnen geen koolmonoxide detecteren.
- Gebruik dit product NIET in huizen, garages, kelders, kruipruimten, schuurtjes of andere gedeeltelijk afgesloten ruimten, ook niet met gebruik van ventilatoren of met geopende deuren en of ramen als ventilatie. In deze ruimten kan snel koolmonoxide worden gevormd en dit kan uren blijven hangen, zelfs als het product al is uitgeschakeld.
- Plaats dit product ALTIJD met de wind mee en richt de motoruitlaat altijd van gebruikte ruimtes weg.

OPGEPAST Deze motor werd door Briggs & Stratton zonder olie op transport gezet. Voordat u de motor start, moet u de motor met olie vullen volgens de instructies in deze handleiding. Als u de motor zonder olie start, zal deze onherstelbaar worden beschadigd. Dit valt niet onder de garantie.

Het startsysteem bepalen

Voordat u de motor start, moet u eerst het type startsysteem op uw motor bepalen. Uw motor heeft een van de volgende typen.

- **Systeem voor elektronische brandstofinjectie (Electronic Fuel Injection) (EFI)** : Dit omvat elektronische brandstofinspuiting. Het heeft geen choke of primer.
- **Chokesysteem**: Dit systeem heeft een choke voor het starten bij lage temperaturen. Sommige modellen hebben een aparte chokeregeling, andere modellen hebben een gecombineerde choke-/gasregeling. Op dit type zit geen primer.

Opmerking: Sommige apparaten hebben mogelijk een afstandsbediening. Kijk in de betreffende handleiding voor de locatie en de bediening van de afstandsbediening.

Systeem voor elektronische brandstofinjectie (Electronic Fuel Injection - EFI)

1. Controleer de motorolie. Zie het deel **Het oliepeil controleren**.
2. Zorg ervoor dat aandrijvingsbedieningen, indien aanwezig, zijn ontkoppeld.
3. Zet de brandstofkraan (A, afbeelding 5) (indien aanwezig) in de stand OPEN.
4. Zet de gashendel in de stand LANGZAAM.
5. Druk de stopschakelaar (D, afbeelding 5), indien aanwezig, in de stand AAN.
6. Zet de elektrische contactschakelaar (E, afbeelding 5) in de stand AAN of START.

OPGEPAST Start altijd kort (maximaal vijf seconden) om de levensduur van de startmotor te verlengen. Wacht één minuut tussen startcycli.

Opmerking: Als de motor na herhaalde pogingen niet start neemt u contact op met uw dealer, gaat u naar **VanguardEngines.com** of belt u **1-800-999-9333** (in de VS).

Chokesysteem

1. Controleer de motorolie. Zie het deel **Het oliepeil controleren**.
2. Zorg ervoor dat aandrijvingsbedieningen, indien aanwezig, zijn ontkoppeld.
3. Zet de brandstofkraan (A, afbeelding 5) (indien aanwezig) in de stand OPEN.
4. Zet de gashendel in de stand SNEL.
5. Trek de chokeregeling (C, afbeelding 5) (indien aanwezig) uit naar de stand GESLOTEN.

Opmerking: Om de motor te starten met een droog brandstofsysteem (eerste keer starten of na het opraken van de brandstof), zal extra starttijd in de choke-positie vereist zijn om te starten. Dit zal de brandstofpomp de tijd geven om het brandstofsysteem aan te zuigen.

6. Druk de stopschakelaar (D, afbeelding 5), indien aanwezig, in de stand AAN.
7. Draai de startleutel (E, afbeelding 5) naar de stand AAN of START.

8. Als de motor aanslaat, maar niet blijft draaien, duw de chokeregeling (C, afbeelding 5) dan in de stand OPEN om de motor te starten.

OPGEPAST Start altijd kort (maximaal vijf seconden) om de levensduur van de startmotor te verlengen. Wacht één minuut tussen startcycli.

9. Duw de chokeregeling (C, afbeelding 5) in de stand OPEN terwijl de motor opwarmt.

Opmerking: Als de motor na herhaalde pogingen niet start neemt u contact op met uw dealer, gaat u naar VanguardEngines.com of belt u 1-800-999-9333 (in de VS).

De motor stoppen



WAARSCHUWING

Brandstof en brandstofdampen zijn uiterst brandbaar en explosief.

Brand of explosie kunnen ernstige brandwonden of de dood veroorzaken.

- Choke de carburateur, indien aanwezig, niet om de motor te stoppen.
1. **Stopschakelaar, indien aanwezig:** Zet de stopschakelaar (D, afbeelding 5) in de stand UIT.
Contactschakelaar, indien aanwezig: Draai de start sleutel (E, afbeelding 5) naar de stand UIT terwijl de gashendel, indien aanwezig, in de stand LANGZAAM staat. Verwijder de sleutel en bewaar deze buiten bereik van kinderen.
 2. Als de motor stopt, zet de brandstofkraan (A, afbeelding 5), indien aanwezig, in de stand gesloten.

Onderhoud

OPGEPAST Als de motor tijdens het onderhoud wordt gekanteld, moet de brandstoftank leeg zijn en moet de bougiekant omhoog wijzen. Als de benzinetank niet leeg is of als de motor een andere kant op wordt gekanteld, kan starten lastig worden omdat het luchtfilter en/of de bougie dan vervuld kan zijn door olie of benzine.



WAARSCHUWING

Wanneer er onderhoud wordt uitgevoerd waarvoor de unit gekanteld moet worden, dient de brandstoftank leeg te zijn, anders kan er brandstof uitlekken, wat kan leiden tot brand en explosie.

Wij adviseren dat u voor al het onderhoud en alle service aan de motor en de motoronderdelen een geautoriseerde Briggs & Stratton-dealer raadpleegt.

OPGEPAST Alle componenten die zijn gebruikt om deze motor te bouwen moeten op hun plaats blijven voor een juiste werking.



WAARSCHUWING

Onbedoelde vonkvorming kan resulteren in brand of een elektrische schok.

Onbedoeld starten kan leiden tot beknelling, amputatie of rijtwonden.

Brandgevaar

Vóór het uitvoeren van afstellingen of reparaties:

- Maak de bougiekabel los en houd de kabel op veilige afstand van de ontstekingsbougie.
- Ontkoppel de accu bij de negatieve aansluiting (alleen motoren met elektrostart).
- Gebruik alleen correct gereedschap.
- Verander niets aan reguleerveren, verbindingstangen of andere onderdelen om het motortoerental te verhogen.
- Vervangende onderdelen moeten identiek zijn aan en op dezelfde positie worden geïnstalleerd als de originele onderdelen. Andere onderdelen zullen minder goed werken, kunnen de eenheid beschadigen en kunnen letsel veroorzaken
- Sla niet met een hamer of hard voorwerp tegen het vliegwiel omdat het vliegwiel anders later tijdens bedrijf kan barsten.

Bij het testen op vonkvorming:

- Gebruik een goedgekeurde bougie tester.
- Controleer niet op vonkvorming wanneer de bougie verwijderd is.

Onderhoud aan de emissieregeling

Onderhoud, vervanging en reparatie van de apparatuur en systemen voor de emissieregeling mogen worden uitgevoerd door een persoon of bedrijf gespecialiseerd in de reparatie van niet op de weg gebruikte motoren. Het onderhoud van de emissieregeling kan zonder kosten worden uitgevoerd door een erkende dealer. Zie de verklaringen voor emissieregeling.

Onderhoudsschema

Iedere 8 uur of dagelijks
<ul style="list-style-type: none"> • Oliepeil motor controleren • Reinigen rond geluiddemper en bedieningselementen
Iedere 100 uur of jaarlijks
<ul style="list-style-type: none"> • Bougies vervangen • Motorolie verversen • Oliefilter vervangen (indien aanwezig) • Onderhoud luchtfilter ¹ • Voorfilter reinigen (indien aanwezig) ¹ • Onderhoud uitlaatsysteem
Iedere 250 uur
<ul style="list-style-type: none"> • Klepspelings controleren. Indien noodzakelijk afstellen.
Iedere 400 uur of jaarlijks
<ul style="list-style-type: none"> • Luchtfilter vervangen • Brandstoffilter vervangen • Koelsysteem onderhouden ¹ • Ribben oliekoeler reinigen ¹

¹ Reinig vaker onder stoffige omstandigheden of wanneer zich veel zwevend vuil in de omgeving bevindt.

Carburateur en motortoerental

Stel de carburateur of het motortoerental nooit af. De carburateur is in de fabriek afgesteld voor een efficiënte werking onder de meest gangbare omstandigheden. Verander niets aan de reguleerder, koppelingen of andere onderdelen om het motortoerental te verhogen. Als er afstellingen moeten worden uitgevoerd, neem contact op met een erkende Briggs & Stratton-servicedealer.

OPGEPAST De fabrikant van de apparatuur heeft het maximale toerental voor de motor zoals geïnstalleerd in de apparatuur gespecificeerd. **Overschrijd dit toerental niet.** Als u niet weet wat het maximale toerental van de apparatuur is of waarop het motortoerental in de fabriek is ingesteld, neem contact op met een erkende Briggs & Stratton-servicedealer. Voor een veilige en juiste bediening van de apparatuur mag het motortoerental uitsluitend worden afgesteld door een gekwalificeerde servicemonteur.

Voer onderhoud uit aan de bougie.

Zie Afbeelding 6

Controleer de elektrodeafstand (A, Afbeelding 6) met een draadkaliber (B). Stel zodanig de afstand bij Installeer de bougie en draai deze vast met het aanbevolen aanhaalkoppel. Zie voor afstelling van de elektrodeafstand en het aanhaalkoppel het deel **Specificaties**.

Opmerking: *In sommige gebieden schrijven plaatselijke wetten het gebruik voor van weerstandsbougies om ontstekingsignalen te onderdrukken. Indien deze motor origineel was uitgerust met een weerstandsbougie, gebruik dan voor vervanging hetzelfde type bougie.

Onderhoud aan het uitlaatsysteem



WAARSCHUWING

Draaiende motoren produceren warmte. Motoronderdelen, vooral geluiddempers, worden zeer heet.

Ernstige brandwonden kunnen optreden bij contact.

Brandbaar vuil, zoals bladeren, gras en hout, kan in brand vliegen.

- Laat geluiddemper, motorcilinder en koelvinnen afkoelen voordat u ze aanraakt.

- Verwijder brandbare stoffen die zich in en rondom de geluiddemper en cilinder hebben opgehoopt.
- Overeenkomstig de California Public Resource Code Section 4442 is het verboden de motor te gebruiken in of in de buurt van bos-, kreupelhout- of grasgebied tenzij het uitlaatsysteem is uitgerust met een vonkenvanger, zoals gedefinieerd in Section 4442, die in goede staat wordt gehouden. In andere deelstaten of landen gelden mogelijk vergelijkbare wetten. Neem contact op met de oorspronkelijke fabrikant, detailhandelaar of dealer voor een vonkenvanger die ontworpen is voor het uitlaatsysteem dat op uw machine is geïnstalleerd.

Verwijder brandbare stoffen die zich in en rondom de geluiddemper en cilinder hebben opgehoopt. Inspecteer de uitlaat op barsten, corrosie of andere beschadiging. Verwijder de vonkenvanger, als de machine hiermee is uitgerust en inspecteer deze op beschadiging of koolverstopping. Als u beschadigingen aantreft, installeer dan vervangingsonderdelen voordat u het apparaat weer gebruikt.



WAARSCHUWING

Vervangende onderdelen moeten identiek zijn aan en op dezelfde positie worden geïnstalleerd als de originele onderdelen. Andere onderdelen zullen minder goed werken, kunnen de maaier beschadigen en kunnen letsel veroorzaken.

Motorolie verversen

Zie afbeelding: 7, 8, 9

Gebruikte olie is een gevaarlijk afvalproduct dat op de juiste manier moet worden afgedankt. Voer het niet af met het huishoudelijk afval. Raadpleeg de plaatselijke autoriteiten, het servicecentrum of uw dealer voor veilige afvoer-/recyclingbedrijven.

Olie aftappen

1. Maak met een uitgeschakelde, maar nog steeds warme motor de bougiekabel(s) (D, afbeelding 7) los en houd deze uit de buurt van de bougie(s) (E).
2. Verwijder de peilstok (A, afbeelding 8).
3. Verwijder de olieaftapplug (F, afbeelding 9). Laat de olie in een goedgekeurde bak stromen.
4. Nadat de olie is afgetapt, plaats de olieaftapplug (F, afbeelding 9) en zet deze vast.

Oliefilter vervangen, indien aanwezig

Sommige motoren zijn voorzien van een oliefilter. Zie voor de vervangingsintervallen het **Onderhoudsschema**.

1. Tap de olie af uit de motor. Zie het deel **Olie aftappen**.
2. Verwijder het oliefilter (G, afbeelding 9) en gooi dit op de juiste manier weg.
3. Smeer voordat u een nieuw oliefilter monteert de pakking van het oliefilter lichtjes in met verse, schone olie.
4. Installeer het oliefilter met de hand totdat de pakking de houder van het oliefilter raakt en draai het oliefilter dan nog 1/2 tot 3/4 slagen aan.
5. Vul olie bij. Zie het deel **Olie bijvullen**.
6. Start de motor en laat deze draaien. Controleer op olie lekkage **terwijl** de motor opwarmt.
7. Schakel de motor uit en controleer het oliepeil. Het oliepeil is correct als het bovenaan bij de indicator voor vol (B, afbeelding 8) op de peilstok staat.

Olie bijvullen

- Zorg ervoor dat de motor waterpas staat.
- Verwijder eventueel vuil uit het olievlgebied.
- Zie het deel **Specificaties** voor de oliecapaciteit.

1. Verwijder de peilstok (A, afbeelding 8) en veeg deze af met een schone doek.
2. Giet langzaam olie in de vulopening voor motorolie (C, afbeelding 8). **Vul niet te veel bij.** Wacht na het bijvullen één minuut en controleer dan het oliepeil.
3. Zet de peilstok terug en zet deze vast (A, afbeelding 8).
4. Verwijder de peilstok en controleer het oliepeil. Het oliepeil is correct als het bovenaan bij de indicator voor vol (B, afbeelding 8) op de peilstok staat.
5. Zet de peilstok terug en zet deze vast (A, afbeelding 8).
6. Sluit de bougiekabel(s) (D, afbeelding 7) aan op de bougie(s) (E).

Onderhoud aan het luchtfilter

Zie afbeelding: 10



WAARSCHUWING



Brandstof en brandstofdampen zijn uiterst brandbaar en explosief.

Brand of explosie kunnen ernstige brandwonden of de dood veroorzaken.

- De motor mag nooit worden gestart of draaien als de luchtfiltereenheid (indien aanwezig) of het luchtfilter (indien aanwezig) is verwijderd.

OPGEPAST Reinig het filter niet met perslucht of oplosmiddelen. Perslucht kan het filter beschadigen en oplosmiddelen kunnen het filter oplossen.

Zie het **Onderhoudsschema** voor het benodigde onderhoud.

Het luchtfiltersysteem maakt gebruik van een papieren filter met een optioneel voorfilter. Het voorfilter kan worden gewassen en hergebruikt.

1. Maak de bevestiging(en) (A, afbeelding 10) los.
2. Verwijder het deksel (B, afbeelding 10).
3. Verwijder de bevestiging(en) (C, afbeelding 10) en houder (D).
4. Verwijder het luchtfilter (E, afbeelding 10).
5. Verwijder het voorfilter (F, afbeelding 10), indien aanwezig, uit het luchtfilter (E).
6. Tik het luchtfilter (E, afbeelding 10) voorzichtig op een hard oppervlak om het vuil los te maken. Vervang het luchtfilter door een nieuw luchtfilter als het luchtfilter zeer vuil is.
7. Was het voorfilter (F, afbeelding 10), indien aanwezig, in water met een vloeibaar reinigingsmiddel. Laat het voorfilter grondig aan de lucht drogen. **Breng geen** olie aan op het voorfilter.
8. Monteer het droge voorfilter (F, afbeelding 10), indien aanwezig, op het luchtfilter (E).
9. Monteer het luchtfilter (E, afbeelding 10) en zet het vast met houder (D) en bevestiging(en) (C).
10. Zet de kap (B, afbeelding 10) terug en zet deze vast met de bevestiging(en) (A). Zorg dat de bevestiging(en) goed vast zit(ten).

Onderhoud brandstofsysteem

Zie afbeelding: 11



WAARSCHUWING



brandstof en brandstofdampen zijn uiterst brandbaar en explosief.

Brand of explosie kan ernstige brandwonden of dodelijk letsel veroorzaken.

- Houd de brandstof uit de buurt van vonken, open vlammen, waakvlammen, hitte en andere ontstekingsbronnen.
- Controleer brandstofleidingen, tank, vuldop en koppelingen regelmatig op barsten of lekken. Vervang deze, indien noodzakelijk.
- Wanneer u het brandstoffilter gaat reinigen of vervangen, moet u eerst de brandstoftank aftappen of de brandstofafsluitklep dichtdraaien.
- Indien er brandstof wordt gemorst, dient u te wachten tot deze verdampt is voordat u de motor start.
- Vervangingsonderdelen moeten hetzelfde zijn en op dezelfde manier worden geïnstalleerd als de originele onderdelen.

Brandstoffilter, indien aanwezig

1. Voordat u het brandstoffilter vervangt (A, afbeelding 11), indien aanwezig, moet u eerst de brandstoftank aftappen of de brandstofafsluitklep dichtdraaien. Anders kan er brandstof lekken en dit kan brand of ontploffing veroorzaken.
2. Druk met een tang de lipjes (B, afbeelding 11) op de klemmen (C) samen, en schuif de klemmen weg van het brandstoffilter (A). Draai en trek de brandstofleidingen (D) van het brandstoffilter af.
3. Controleer de brandstofleidingen (D, afbeelding 11) op scheurtjes of lekkages. Vervang deze indien nodig.
4. Vervang het brandstoffilter (A, Afb. 11) door een origineel vervangingsfilter.
5. Zet de brandstofleidingen vast (D, afb. 11) met klemmen (C) zoals weergegeven.

Onderhoud aan het koelsysteem



WAARSCHUWING

Draaiende motoren produceren warmte. Motoronderdelen, vooral geluiddempers, worden zeer heet.

Ernstige brandwonden kunnen optreden bij contact.

Brandbaar vuil, zoals bladeren, gras en hout, kan in brand vliegen.

- Laat geluiddemper, motorcilinder en koelvinnen afkoelen voordat u ze aanraakt.
- Verwijder brandbare stoffen die zich in en rondom de geluiddemper en cilinder hebben opgehoopt.

OPGEPAST Gebruik geen water om de motor te reinigen. Water kan het brandstofsysteem verontreinigen. Gebruik een borstel en droge doek om de motor te reinigen.

Dit is een luchtgekoelde motor. Vuil kan de luchtstroom belemmeren en ervoor zorgen dat de motor oververhit raakt, wat resulteert in slechte prestaties en een verminderde levensduur van de motor.

1. Verwijder vuil uit het luchtinlaatrooster met behulp van een borstel of droge doek.
2. Houd verbindingen, veren en bedieningen schoon.
3. Zorg dat het gebied rond en achter de geluiddemper (indien aanwezig) vrij blijft van brandbaar vuil.
4. Zorg dat er geen vuil of rommel op de koelvinnen van de spoel (indien aanwezig) zit.

Na verloop van tijd kan zich vuil ophopen in de koelvinnen van cilinder en ervoor zorgen dat de motor oververhit raakt. Dit vuil kan niet verwijderd worden zonder de motor deels te demonteren. Laat een erkende Briggs & Stratton-dealer het luchtkoelsysteem inspecteren en reinigen zoals aanbevolen in het **Onderhoudsschema**.

Opslag



WAARSCHUWING

Brandstof en brandstofdampen zijn uiterst ontvlambaar en explosief.

Brand of explosie kan ernstige brandwonden of dodelijk letsel veroorzaken.

Bij het opslaan van brandstof of machines met brandstof in de tank

- Opslaan uit de buurt van fornuizen, ovens, waterkokers of andere apparaten die een waakvlam bevatten of andere ontstekingsbronnen, omdat deze brandstofdampen kunnen doen ontbranden.

Brandstofsysteem

Zie afbeelding: 12

Berg de motor waterpas op (normale bedrijfsstand). Vul brandstoftank (A, Afbeelding 12) met brandstof. Vul de brandstoftank niet tot boven de onderkant van de nek (B) zodat de brandstof kan uitzetten.

Brandstof kan verschalen als het langer dan 30 dagen wordt bewaard. Verschaalde brandstof kan leiden tot zuur- en gomafzettingen in het brandstofsysteem of op essentiële carburateuronderdelen. Om brandstof vers te houden, kunt u **Briggs & Stratton Behandeling met een geavanceerde brandstofformule en -stabilisator gebruiken**, beschikbaar op locaties waar originele Briggs & Stratton-onderdelen worden verkocht.

U hoeft de benzine niet uit de motor af te tappen als een brandstofstabilisator volgens de instructies wordt toegevoegd. Laat voor het opbergen van de machine de motor twee (2) minuten lopen zodat de stabilisator door het brandstofsysteem kan circuleren.

Als de benzine in de motor niet met een brandstofstabilisator is behandeld, moet het in een goedgekeurde bak worden afgetapt. Laat de motor lopen totdat deze door gebrek aan brandstof stopt. Het gebruik van een brandstofstabilisator in de opslag container wordt aanbevolen om de brandstof vers te houden.

Motorolie

Ververs de motorolie als de motor nog warm is. Zie het deel **Motorolie verversen**.

Problemen oplossen

Als u hulp nodig hebt, neem dan contact op met uw dealer of ga naar **VanguardEngines.com** of bel **1-800-999-9333** (in de VS).

Specificaties

Model: 611400, 613400, 61E400, 61G400	
Cilinderinhoud	60.60 ci (993 cc)
Boring	3.366 in (85,5 mm)
Slag	3.406 in (86,5 mm)
Oliecapaciteit	78 - 80 oz (2,3 - 2,4 L)
Elektrodeafstand van bougie	.030 in (.76 mm)
Aanhaalkoppel bougie	180 lb-in (20 Nm)
Luchtspleet ontstekingsspoel - Carburateurmodellen	.005 - .008 in (.13 - .20 mm)
Inlaatklepspeling	.004 - .006 in (.10 - .15 mm)
Uitlaatklepspeling	.007 - .009 in (.18 - .23 mm)

Het motorvermogen neemt met 3,5 % af voor elke 300 meter (1.000 voet) boven zeeniveau en 1 % voor elke 5,6 °C (10 °F) boven 25 °C (77 °F). De motor werkt goed tot een hellingshoek van 15°. Raadpleeg de gebruikershandleiding van de machine voor de maximaal toegestane veilige hellingshoeken.

Serviceonderdelen - Model: 611400, 613400, 61E400, 61G400	
Serviceonderdeel	Onderdeelnummer
Papieren luchtfilter (afbeelding 10)	692519
Voorfilter (afbeelding 10)	692520
Olie - SAE 30	100028
Oliefilter	842921
Advanced Formula Fuel Treatment & Stabilizer	100117, 100120
Brandstoffilter	845125
Resistorbougie	491055
Long Life Platinum-bougie	5066
Bougiesleutel	19374
Vonktester	19368

Wij adviseren dat u voor al het onderhoud en alle service aan de motor en de motoronderdelen een erkende Briggs & Stratton-dealer raadpleegt.

Vermogenklasseringen: De classificatie van het brutovermogen voor individuele benzinemotormodellen is ingedeeld conform code J1940 Vermogens- en torsieclasseringsprocedure voor kleine motoren van de SAE (Society of Automotive Engineers) en is geklasseerd conform SAE J1995. Torsiewaarden zijn voor een toerental van 2.600 omw/min voor motoren waarbij "rpm" wordt aangegeven op het label en 3060 RPM voor alle andere motoren; de paardenkrachtwaarden worden gegeven bij 3.600 RPM. De curves voor het brutovermogen kunt u bekijken op www.BRIGGSandSTRATTON.COM. Het nettovermogen wordt gemeten met gemonteerde uitlaat en luchtfilter, maar het brutovermogen wordt gemeten zonder deze onderdelen. Het werkelijke brutomotorvermogen ligt hoger dan het nettomotorvermogen en wordt onder meer beïnvloed door omgevingsfactoren en verschillen tussen de motoren. Gezien de vele verschillende producten waarvoor onze motoren worden gebruikt, zal de benzinemotor mogelijk niet het nominale brutovermogen ontwikkelen wanneer de motor wordt gebruikt in een door een motor aangedreven machine. Dit verschil wordt veroorzaakt door diverse factoren waaronder, maar niet uitsluitend, de verscheidenheid aan motoronderdelen (luchtfilter, uitlaat, turbo, koelen, carburateur, brandstofpomp etc.), toepassingsbeperkingen, omgevingsfactoren (temperatuur, vochtigheid, hoogte) en verschillen tussen motoren. Vanwege productie- en capaciteitsbeperkingen kan het zijn dat Briggs & Stratton een motor met een hoger nominaal vermogen gebruikt in plaats van de standaardmotor voor deze serie.

Garantie

Garantie op de motor van Briggs & Stratton

Per januari 2017

Beperkte garantie

Briggs & Stratton garandeert dat tijdens de hieronder gespecificeerde garantieperiode elk onderdeel van een product dat materiaal- en/of productiefouten vertoont, gratis hersteld of vervangen zal worden. Transportkosten voor producten die worden teruggestuurd ter

reparatie of vervanging onder deze garantie komen voor rekening van de koper. Deze garantie is geldig voor- en onderhavig aan de onderstaande periodes en voorwaarden. Voor garantieservice kunt u de dichtstbijzijnde erkende servicedealer vinden met behulp van de dealerzoekfunctie op BRIGGSandSTRATTON.COM. De koper moet contact opnemen met de Erkende Service Dealer en het product dan beschikbaar maken voor de Erkende Service Dealer voor inspectie en tests.

Er wordt geen andere expliciete garantie afgegeven. Impliciete garanties, inclusief voor verkoopbaarheid en geschiktheid voor een bepaald doel, zijn beperkt tot de hieronder gespecificeerde garantietermijn of in de wettelijke toegestane mate.

Aansprakelijkheid voor incidentele of gevolgschade wordt uitgesloten voor zover dit wettelijk toegestaan is. Sommige staten of landen staan geen beperkingen toe over de periode waarin een impliciete garantie geldig is, en sommige staten of landen staan geen uitsluiting of beperking van incidentele of gevolgschade toe, zodat de bovenstaande beperkingen en uitsluitingen mogelijk niet op u van toepassing zijn. Deze garantie geeft u bepaalde specifieke wettelijke rechten en u kunt mogelijk andere rechten hebben die van rechtsgebied tot rechtsgebied variëren. ⁴

Standaard garantietermijnen 1, 2, 3

Merk / productnaam	Particulier gebruik	Commercieel gebruik
Vanguard™; Commercial Series	36 maanden	36 maanden
Motoren met de Dura-Bore™ gietijzeren voering	24 maanden	12 maanden
Alle overige motoren	24 maanden	3 maanden

¹Dit zijn onze standaardvoorwaarden voor garantie, maar er kunnen aanvullende garantietermijnen zijn die op het moment van publicatie nog niet waren bepaald. Ga voor alle actuele garantietermijnen voor uw motor naar BRIGGSandSTRATTON.com of neem contact op met uw erkende Briggs & Stratton servicedealer.

² Er is geen garantie voor motoren op apparatuur die wordt gebruikt voor primaire voeding in plaats van openbare voorzieningen of voor noodaggregaten voor commerciële doeleinden. Er geldt geen garantie voor motoren die gebruikt worden voor competitief racen en op commerciële- of verhuurcircuits.

³ Vanguard geïnstalleerd op stand-by generators: 24 maanden voor particulier gebruik, geen garantie bij commercieel gebruik. Vanguard geïnstalleerd op utiliteitsvoertuigen: 24 maanden voor particulier gebruik, 24 maanden garantie bij commercieel gebruik. Commercial Series met fabricagedatum vóór juli 2017, 24 maanden particulier gebruik, 24 maanden commercieel gebruik.

⁴ In Australië - onze artikelen worden geleverd met garanties die onder de Australische consumentenwetgeving niet kunnen worden uitgesloten. U hebt recht op een vervanging of een vergoeding in geval van een groot defect en op compensatie voor andere redelijkerwijs te voorzien vormen van verlies en schade. U hebt ook recht op het repareren of vervangen van de artikelen als deze niet van acceptabele kwaliteit zijn en als het defect geen groot defect is. Zoek voor garantieservice de dichtstbijzijnde Erkende Service Dealer op met onze dealerkaart op BRIGGSandSTRATTON.com, of bel 1300 274 447, of mail of schrijf naar salesenquires@briggsandstratton.com.au, Briggs & Stratton Australia Pty Ltd, 1 Moorebank Avenue, Moorebank, NSW, Australië, 2170.

De garantietermijn begint op de datum van aankoop door de eerste consument of commerciële klant. "Particulier gebruik" betekent persoonlijk residentieel gezinsgebruik door een detailhandelsconsument. "Commercieel gebruik" betekent ieder ander gebruik, inclusief het gebruik voor commerciële huurdoeleinden of voor het genereren van inkomen. Als een motor eenmaal commercieel gebruikt is, dan zal deze daarna voor deze garantie als commercieel gebruikt worden beschouwd.

Bewaar uw kwitantie als aankoopbewijs. Indien u geen bewijs kunt leveren van de oorspronkelijke aankoopdatum op het ogenblik waarop om garantieservice wordt verzocht, zal de productiedatum van het product worden gebruikt om de garantietermijn te bepalen. Productregistratie is niet noodzakelijk voor het verkrijgen van garantie op producten van Briggs & Stratton.

Over uw garantie

Deze garantie dekt uitsluitend aan de motor gerelateerde defecte materialen en/of bewerkingen, en niet vervanging of vergoeding van de machine waarop de motor gemonteerd kan zijn. Routineonderhoud, afstellingen, aanpassingen of normale slijtage vallen niet onder deze garantie. De garantie is ook niet van toepassing als de machine is gewijzigd of aangepast, of als het serienummer van de motor is beschadigd of verwijderd. Deze garantie geldt niet voor schade aan de motor of prestatieproblemen door:

1. Het gebruik van niet- originele Briggs & Stratton-onderdelen;
2. Het laten draaien van de motor met onvoldoende, vervuilde of de onjuiste soort smeerolie;
3. Het gebruik van vervuilde of niet-verse brandstof, benzine verrijkt met meer dan 10% ethanol of het gebruik van alternatieve brandstoffen zoals vloeibare petroleum of aardgas bij motoren die oorspronkelijk niet zijn ontwikkeld/gefabriceerd door Briggs & Stratton om op dergelijke brandstoffen te draaien;
4. Vuil dat in de motor terecht is gekomen vanwege een onjuist onderhoud of een onjuiste hermontage van de luchtfilter;

5. Het raken van een object met een snijblad van een roterende grasmaaier, losjes of onjuist geïnstalleerde blad tussenstukken, waaiers of andere aan de krukas gekoppelde onderdelen, of excessieve strakheid van de v-snaar;
6. Bijbehorende onderdelen en eenheden zoals koppelingen, aandrijvingen en afstandsbedieningen van apparatuur die niet door Briggs & Stratton zijn geleverd;
7. Oververhitting als gevolg van grasmaaisel, vuil en rommel of nesten van knaagdieren die de koelvinnen of het vliegwielfgebied verstopten of erin zitten, of door de motor te laten draaien zonder voldoende ventilatie;
8. Excessieve trillingen als gevolg van een te hoge snelheid, een te losjes gemonteerde motor, losse of niet-uitgebalanceerde snijbladen of waaiers of onjuiste koppeling van onderdelen van de apparatuur aan de krukas;
9. Verkeerd gebruik, gebrek aan routineonderhoud, verzending, omgang met of opslag van apparatuur, of onjuiste installatie van de motor.

De garantieservice is uitsluitend beschikbaar via erkende servicedealers van Briggs & Stratton. U vindt uw dichtstbijzijnde Geautoriseerde Service Dealer in onze "dealer locator" kaart op BRIGGSandSTRATTON.com of kijk in de 'Gouden Gids'.

80004537 (Rev. C)

Denne håndboken inneholder sikkerhetsinformasjon som gjør deg oppmerksom på farer og risiko forbundet med motorer, og hvordan du unngår dem. Den inneholder også instruksjoner for riktig bruk og vedlikehold av motoren. Fordi Briggs & Stratton ikke nødvendigvis vet hvilket utstyr motoren driver, er det viktig at du leser og forstår disse instruksjonene og instruksjonene for utstyret som motoren driver. **Ta vare på disse originalinstruksjonene for framtidig referanse.**

Merk: Tallene og illustrasjonene i denne håndboken er kun oppgitt som referanse og kan avvike fra din modell. Kontakt forhandleren hvis du har spørsmål.

For å skaffe reservedeler eller teknisk assistanse, må du notere motorens modell-, type- og kodenummer sammen med kjøpedato her. Disse numrene sitter på motoren (se avsnittet om **Tekniske egenskaper og kontroller**).

Kjøpedato:	
Modell - Type - Trim	
Motorens serienumre	

Se etter 2D strekkoden som finnes på enkelte motorer. Når koden leses med en 2D-avleser, vil den vise vår nettside der du kan få tilgang til støtteinformasjon for dette produktet. Internetpriser gjelder. Det kan hende at online støtte ikke er tilgjengelig i enkelte land.



Informasjon om gjenvinning

		Alt pakningsmateriale, brukt olje og batterier skal gjenvinnes i henhold til avfallsforskriften.
--	--	--

Brukerens sikkerhet

Advarselsymbol og signalord

Symbolet for sikkerhetsadvarsel er brukt til å identifiserer sikkerhetsinformasjon angående farer som kan medføre personskade. Et signalord (FARE, ADVARSEL, eller FORSIKTIG) er brukt i tillegg til advarselsymbolet for å angi risikograden og det potensielle omfanget av skaden. Det kan i tillegg benyttes et faresymbol som angir hvilken type fare det gjelder.

FARE viser til en fare som vil føre til død eller alvorlige personskader hvis den ikke unngås.

ADVARSEL viser til en fare som kan føre til død eller alvorlige personskader hvis den ikke unngås.

FORSIKTIG viser til en fare som kan føre til mindre eller moderate personskader hvis den ikke unngås.

OBS viser til en handling som kan føre til skade på produktet.

Faresymboler og deres betydning

Symbol	Betydning	Symbol	Betydning
	Sikkerhetsinformasjon om farer som kan føre til personlige skader.		Les og forstå brukerhåndboken før du bruker eller vedlikeholder enheten.
	Brannfare		Fare for eksplosjon

Symbol	Betydning	Symbol	Betydning
	Fare for støt.		Fare for giftige gasser
	Fare for varm overflate		Støyfare - Hørselsvern anbefales ved langvarig bruk.
	Fare for at gjenstander kan slynges ut - Bruk vernebriller.		Fare for eksplosjon
	Fare for frostskafer		Fare for tilbakeslag
	Fare for amputasjon - bevegelige deler		Kjemikaliefare
	Termisk fare (varme)		Etsende

Meldinger vedr. sikkerhet



ADVARSEL

Visse komponenter i dette produktet og tilhørende tilbehør inneholder kjemikalier som staten California vet kan forårsake kreft, fødselsskader eller skader på forplantningsevnen. Vask hendene etter håndtering.



ADVARSEL

Eksosen fra dette produktet inneholder kjemikalier som i delstaten California er kjent for å forårsake kreft, fosterskader eller skade reproduksjonsevnen.



ADVARSEL

Briggs & Stratton motorene er ikke konstruert for å drive følgende kjøretøy og må heller ikke brukes til disse: rallykarter, gokarter, barns kjøretøy, fritidskjøretøy eller terrengkjøretøy (ATV), motorsyklar, hoverbåter, flyprodukter eller kjøretøy som brukes i konkurranser som ikke er godkjent av Briggs & Stratton. For informasjon om produkter til konkurransekjøring, se www.briggsracing.com. For bruk på nyttekjøretøy og ATV'er med to seter ved siden av hverandre (side-by-side), vennligst ta kontakt med Briggs & Stratton Engine Application Center, 1-866-927-3349. Feil bruk av motorer kan resultere i alvorlige skader eller død.



ADVARSEL



Drivstoff og drivstoffdamper er ekstremt lett antenkelige og eksplosive.

Brann eller eksplosjon kan forårsake alvorlige brannskader eller død.

Når du fyller på drivstoff

- Slå motoren av og la motoren avkjøles i minst to minutter før du tar av bensinlokket.
- Fyll drivstofftanken utendørs eller i godt ventilert område.
- Ikke overfyll en drivstofftanken. For å kunne gi plass til å la drivstoffet utvide seg, ikke fyll til over bunnen av drivstofftankhalsen.
- Hold drivstoff unna gnister, åpen flamme, sporebluss, varme og andre tennkilder.
- Kontroller drivstoffslanger, tank, lokk og fester ofte for sprekker og lekkasjer. Skift ut om nødvendig.
- Hvis du har sølt bensin, må du vente til den har fordampet, før du starter opp motoren.

Når du starter motoren

- Sjekk at tennpluggen, eksospotten, lokket på drivstofftanken og luftfilteret (hvis montert) sitter godt på plass.
- Motoren må ikke dreies rundt hvis tennpluggen er fjernet.
- Hvis motoren drukner, sett choken (hvis montert) i stillingen OPEN / RUN (åpen/kjør), sett gassspjeld (hvis montert) i stillingen FAST (hurtig) og drei motoren rundt til den starter.

Når du betjener enheten

- Motoren eller maskinen må IKKE veltes i en vinkel der drivstoff kan renne ut.
- Motoren må ikke stanses ved å kvele forgasseren.
- Motoren må aldri startes eller kjøres uten at luftfilterenheten (hvis montert) eller luftfilteret (hvis montert) sitter på plass.

Når du skifter olje

- Hvis du taper av olje fra toppen av oljepåfyllingsrøret, må drivstofftanken være tom. Ellers kan drivstoffet lekke ut og føre til brann eller eksplosjon.

Når maskinen veltes for å utføre vedlikehold

- Når det er nødvendig å velte maskinen for å utføre vedlikehold, må drivstofftanken hvis en er montert på motoren, være tom, ellers kan drivstoff renne ut og forårsake brann eller eksplosjon.

Når du frakter utstyr

- Transporteres med TOM drivstofftank eller med drivstoffkranen i STENGT stilling.

Ved oppbevaring av drivstoff eller utstyr med drivstoff i tank

- Må ikke oppbevares i nærheten av fyringsanlegg, ovner, varmtvannsberedere eller annet utstyr med sparebluss eller andre antenningskilder, da de kan antenne drivstoffdamp.



ADVARSEL

Ved start av motoren oppstår det gnister.

Gnister kan antennes i nærheten av brennbare gasser.

Dette kan føre til eksplosjon og brann.

- Hvis det finnes naturgass- eller flytgasslekkasje i området, skal du ikke starte motoren.
- Bruk ikke startvæsker under trykk, da dampen er antennelig.



ADVARSEL

FARE FOR GIFTIG GASS. Eksosen fra motoren inneholder karbonmonoksid (kullos), en giftig gass som kan ta livet av deg i løpet av få minutter. Du KAN IKKE se, lukte eller kjenne smaken av den. Selv om du ikke lukter eksos, kan du likevel bli utsatt for karbonmonoksid-gass. Hvis du begynner å føle deg kvalm, svimmel eller svak mens du bruker dette produktet, trekk litt frisk luft MED EN GANG. Oppsøk en lege. Det er mulig du er forgiftet av karbonmonoksid (kullos).

- Bruk produktet UTELUKKENDE utendørs, langt unna vinduer, dører og ventilert for å redusere risikoen for at karbonmonoksidgass hoper seg opp og potensielt trekkes mot områder der personer oppholder seg.
- Monter batteridrevne karbonmonoksid-alarmer eller innpluggbare karbonmonoksid-alarmer med batterireserve i henhold til produsentens veiledning. Røykvarslere registrerer ikke karbonmonoksid gass.
- Kjør IKKE dette produktet inne i boliger, garasjer, kjellere, rom med begrenset høyde under gulv og tak, under skur eller andre delvis lukkede rom, selv om du bruker vifter eller åpne dører og vinduer til å ventilere. Karbonmonoksid kan raskt bygge seg opp i slike rom, og kan bli værende på samme sted i flere timer, selv etter at dette produktet er slått av.
- Plasser ALLTID produktet med vinden og la eksosen peke bort fra områder der det oppholder seg mennesker.



ADVARSEL

Hurtig tilbakespoling av startsnoren (tilbakeslag) vil trekke hånden og armen din raskere mot motoren enn du klarer å slippe taket.

Dette kan føre til benbrudd, frakturer, blåmerker eller forstuing.

- Når du starter motoren, trekk startsnoren sakte til du begynner å kjenne motstand, trekk deretter hardt til for å unngå tilbakeslag.

- Ta av alt påmontert utstyr / motorbelastning før motoren startes.
- Maskinkomponenter som er montert direkte, slik som, men ikke begrenset til, kniver, viftehjul, remskiver, kjedehjul osv., må sitte godt fast.



ADVARSEL

Roterende deler kan komme i kontakt eller vikle seg inn i hender, føtter, klær eller tilbehør.

Dette kan føre til traumatisk amputasjon av lemsdeler eller store sårskader.

- Dekslene må alltid sitte på plass når maskinen er i bruk.
- Hold hender og føtter borte fra roterende deler.
- Sett opp langt hår og ta av smykker.
- Du må ikke ha på deg løstsittende klær, snører som henger løst eller noe annet som kan sette seg fast i maskinen.



ADVARSEL

Motorer som er i gang utvikler varme. Motordeler, spesielt eksospotte, blir ekstremt varme.

Alvorlige forbrenninger kan oppstå ved kontakt.

Letantennelig avfall, som blader, gress, kratt, osv., kan ta fyr.

- La eksospotte, motorsylinder og ribber få avkjøle seg før de berøres.
- Ta bort oppsamlet rusk fra området rundt eksospotten og sylindere.
- Det er et brudd på Californias lov om offentlige ressurser, §4442, å bruke eller ha motoren i gang på et skogkledd, kratt-dekket, eller gresskledd stykke land med mindre eksossystemet er utstyrt med en gnistfanger som er holdt i fullgod stand, slik som definert i § 4442. Andre stater eller nasjonale jurisdiksjoner vil kunne ha lignende lover. Kontakte den opprinnelige utstyrsprodusenten, detaljisten eller forhandleren for å få en gnistfanger satt på det eksosanlegget som er installert på denne motoren.



ADVARSEL

Utsiktet gnisting kan resultere i brann eller elektrisk sjokk.

Tilfeldig start kan resultere i forviklinger, traumatisk amputasjon eller sårskader.

Fare for brann

Før du utfører justeringer eller reparasjoner:

- Koble fra tennpluggledningen og fest den på avstand fra tennpluggen.
- Frakoble batteriet ved den negative terminalen (kun motorer med elektrisk start.)
- Bruk kun riktige verktøy.
- Ikke tukle med regulatorfjæren, lenker eller andre deler for å øke motorhastighet.
- Reservedeler må alltid være av samme type og monteres i samme posisjon som de originale delene. Andre deler kan muligens ikke yte like bra, kan skade enheten og kan resultere i personskaade.
- Slå aldri på svinghjulet med en hammer eller en annen hard gjenstand da svinghjulet kan sprekk senere under drift.

Ved testing av gnist:

- Bruk godkjent tennpluggtester.
- Ikke se etter gnist med tennpluggen fjernet.

Funksjoner og kontroller

Motorkontroller










Sammenligne illustrasjonen (Figur: 1, 2) med motoren for å bli kjent med hvor de forskjellige kontrollene og funksjonene er plassert.

- Motoridentifikasjonsnumre **Modell - Type - Kode**
- Tennplugg
- Luftfilter, lav profil
- Peilepinne
- Oljepåfylling

- F. Oljefilter
- G. Oljetappeplugg
- H. Oljetrykksensor
- I. Luftinntaksgitter
- J. Elektrisk start
- K. Starter relé
- L. Regulator/likepinner
- M. Oljekjøler (hvis montert)
- N. Eksospotte (hvis montert)
- O. Drivstoffpumpe
- P. Startbryter ¹
- Q. Choke - forgassermodeller ¹
- R. Drivstofffilter (hvis montert)

¹ Noen motorer og noe utstyr har fjernkontroller. Se håndboken som tilhører maskinen for plassering og bruk av fjernkontroller.

Symboler for motorkontroller og deres betydning

Symbol	Betydning	Symbol	Betydning
	Motorhastighet - HURTIG		Motorhastighet - SAKTE
	Motorhastighet - STOPP		PÅ - AV
	Start av motor - Choke STENGT		Start av motor - Choke ÅPEN
	Lokk til drivstofftank Drivstoffsperr - ÅPEN		Drivstoffsperr - STENGT
	Drivstoffnivå - Maksimum Ikke overfyll		

Bruk

Anbefalinger når det gjelder olje

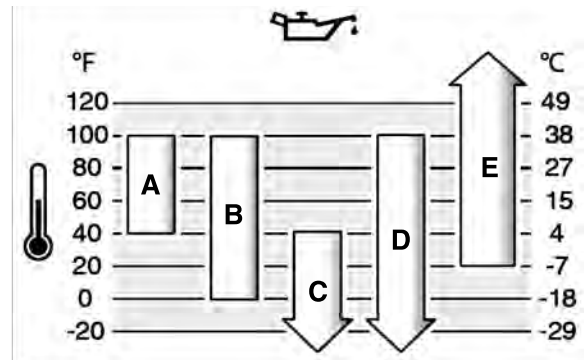
Oljekapasitet: Se *Spesifikasjoner* delen.

OBS

Denne motoren ble sendt fra Briggs & Stratton uten olje. Utstyrproduzentene eller forhandlerne kan ha fylt olje på motoren. Før motoren startes første gang, må du sørge for å kontrollere oljenivået og fylle på olje i henhold til anvisningene i denne håndboken. Hvis motoren startes uten olje, vil den skades slik at den ikke kan repareres, og skaden vil ikke dekkes av garanti.

Vi anbefaler bruk av Briggs & Strattons garantisertifiserte oljer for optimal ytelse. Andre høykvalitets renseloljer er akseptable hvis de er klassifisert for service SF, SG, SH, SJ, eller høyere. Ikke bruk spesielle tilsetningsstoffer.

Utetemperaturer avgjør riktig oljeviskositet for motoren. Bruk tabellen til å velge den optimale viskositeten for det forventede temperaturspektret utendørs. Motorer på de fleste utendørsutstyr opererer godt med 5W-30 syntetisk olje. For utstyr som opererer i varme temperaturer, gir Vanguard™ 15W-50 syntetisk olje den beste beskyttelsen.



A	SAE 30 - Under 4°C vil bruk av SAE 30 resultere i vanskelig start.
B	10W-30 - Over 27 °C vil bruk av 10W-30 kunne forårsake økt oljeforbruk. Sjekk oljenivået oftere.
C	5W-30
D	Syntetisk 5W-30
E	Vanguard™ syntetisk 15W-50

Sjekking av oljenivået

Se Figur: 3

Før oljen fylles på og sjekkes

- Sjekk at motoren står vannrett.
- Rengjør området rundt oljepåfyllingen for å fjerne alt rusk.

1. Ta ut peilepinnen (A, Figur 3) og tørk av den med en ren klut.
2. Sett peilepinnen helt inn (A, Figur 3).
3. Ta ut peilepinnen og sjekk oljenivået. Riktig oljenivå er øverst på full-indikatoren (B, Figur 3) på peilepinnen.
4. Hvis oljenivået er lavt, fylles oljen sakte i motoroljepåfyllingen (C, Figur 3). **Ikke overfyll!** Etter å ha tilsatt olje, vent ett minutt og sjekk oljenivået på nytt.
5. Sett peilepinnen helt inn (A, Figur 3).

Varselsystem for lavt oljenivå (hvis montert)

Noen motorer er utstyrt med en sensor for lavt oljenivå. Hvis oljenivået er lavt, vil sensoren enten tenne en varselampe eller stanse motoren. Stans motoren og utfør følgende trinn før motoren startes igjen.

- Sjekk at motoren står vannrett.
- Sjekk oljenivået. Se avsnittet om **SJEKING AV OLJENIVÅ**.
- Hvis oljenivået er lavt, fyll på riktig mengde olje. Start motoren og sjekk at varsellampen (hvis montert) ikke lyser.
- Ikke start motoren hvis oljenivået er for lavt. Ta kontakt med et autorisert Briggs & Stratton forhandlerverksted for å få oljeproblemet reparert.

Anbefalt drivstoff

Drivstoff må oppfylle disse kravene:

- Ren, ny, blyfri bensin.
- Minimum 87 oktan/87 AKI (91 RON). For bruk i store høyder, se nedenfor.
- Bensin med opptil 10% etanol (gasohol) kan brukes.

OBS Bruk aldri ikke-godkjent bensin, slik som E15 og E85. Ikke bland olje i bensinen eller endre motoren til å kjøre på alternative drivstoff. Bruk av drivstoff som ikke er godkjent vil forårsake at deler i motoren påføres skader som ikke er dekket av garantien.

Beskytt drivstoffsystemet mot gummidannelse ved å blande en drivstoffstabilisator i drivstoffet. Se **Lagring** Alt drivstoff er ikke det samme. Hvis det oppstår problemer med start eller ytelse, bytt drivstoff-leverandører eller skift merke. Denne motoren er sertifisert for bruk med bensin. Utslippskontrollsystemet for denne motoren er EM (Engine Modifications - Modifiseringer av motoren).

Store høyder

I høyder på over 1524 meter (5000 fot) må det brukes minimum 85-oktan/85 AKI (89 RON) bensin.

Det er nødvendig å justere forgassermotorer for bruk i store høyder for å opprettholde ytelsen. Drift uten denne justeringen vil føre til redusert ytelse, økt drivstofforbruk, og økte utslipp. Kontakt en Briggs & Stratton-autorisert forhandler for informasjon ang. tilpasning til store høyder. Bruk av motoren i høyder under 762 meter (2500 fot) hvis den er justert for bruk i store høyder anbefales ikke.

Det er ikke nødvendig å justere motorer med elektronisk drivstoffinjeksjon (EFI) for bruk i store høyder.

Tilfør drivstoff

Se figur: 4



Drivstoffer og deres gasser er meget brannfarlige og eksplosive.

En brann eller eksplosjon kan føre til alvorlige brannskader eller dødsulykker.

Når drivstoff tilføres

- Slå av motoren og la den avkjøles i minst 2 minutter før du tar av tanklokket.
- Fyll drivstofftanken utendørs eller i godt ventilert område.
- Overfyll ikke drivstofftanken. For å gjøre plass til utvidelse av drivstoffet, ikke fyll opp til over bunnen på tankens hals.
- Hold drivstoff unna gnister, åpen flamme, sparebluss, varme og andre antennelseskilder.
- Sjekk drivstoffslanger, tank, lokk og fester ofte for sprekker og lekkasjer. Skift ut om nødvendig.
- Hvis du har sølt drivstoff, må du vente til det har fordampet, før du starter opp motoren.

1. Rengjør tanklokk-området for smuss og rusk. Ta av tanklokket
2. fyll drivstofftanken (A, Figur 4) med drivstoff. For å gjøre plass til utvidelse av drivstoffet, ikke fyll opp til over bunnen på tankens hals. (B).
3. Sett lokket på drivstofftanken.

Start og stans av motoren

Se Figur: 5

Start av motoren



Drivstoff og drivstoffdamp er ekstremt lett antenkelige og eksplosive.

Brann eller eksplosjon kan forårsake alvorlige brannskader eller død.

Når du starter motoren

- Sjekk at tennpluggen, eksospotten, lokket på drivstofftanken og luftfilteret (hvis montert) sitter godt på plass.
- Motoren må ikke dreies rundt hvis tennpluggen er fjernet.
- Hvis motoren drukner, sett choken (hvis montert) i stillingen OPEN / RUN (åpen/kjør), sett gassen (hvis montert) i stillingen FAST (hurtig) og drei motoren rundt til den starter.



FARE FOR GIFTIG GASS. Eksosen fra motoren inneholder karbonmonoksid (kullos), en giftig gass som kan ta livet av deg i løpet av få minutter. Du **KAN IKKE** se, lukte eller kjenne smaken av den. Selv om du ikke lukter eksos, kan du likevel bli utsatt for karbonmonoksid-gass. Hvis du begynner å føle deg kvalm, svimmel eller svak mens du bruker dette produktet, må du **ØYEBLIKKELIG** stanse det og gå ut i frisk luft. Oppsøk lege. Det er mulig du er forgiftet av karbonmonoksid (kullos).

- Bruk produktet UTELUKKENDE utendørs, langt unna vinduer, dører og ventiler for å redusere risikoen for at karbonmonoksidgass hopper seg opp og potensielt trekkes mot områder der personer oppholder seg.
- Monter batteridrevne karbonmonoksid-alarmer eller innpluggbare karbonmonoksid-alarmer med batterireserve i henhold til produsentens veiledning. Røykvarslere registrerer ikke karbonmonoksid gass.
- Kjør IKKE dette produktet inne i boliger, garasjer, kjellere, rom med begrenset høyde under gulv og tak, under skur eller andre delvis lukkede rom, selv om du bruker vifter eller åpne dører og vinduer til å ventilere. Karbonmonoksid kan raskt bygge seg opp i slike rom, og kan bli værende på samme sted i flere timer, selv etter at dette produktet er slått av.

- Plasser ALLTID dette produktet slik at det står i medvind og sørg for at eksosen ledes bort fra bebodde områder.

OBS Denne motoren ble sendt fra Briggs & Stratton uten olje. Før motoren startes, må du sørge for å fylle på olje i henhold til anvisningene i denne håndboken. Hvis motoren startes uten olje, vil den skades slik at den ikke kan repareres, og den vil ikke være dekket av garantien.

Finn hvilket Startsystem

Før motoren startes, må du finne ut hva slags type startmotor som er på din motor. Motoren din vil ha en av de følgende typene.

- **Elektronisk drivstoffinjeksjon (EFI) system:** Disse egenskapene har elektronisk drivstoffinjeksjon. Den har ikke choke eller primer.
- **Choke-systemet:** Denne har en choke som skal brukes ved oppstart i kalde temperaturer. Noen modeller har en separat choke mens andre har en kombinert choke- og gasspak. Denne typen har ikke en primer.

Merk: Det kan hende at maskinen har fjernkontroller. Se håndboken som tilhører maskinen for plassering og bruk av fjernkontroller.

Elektronisk drivstoffinnsprøytningssystem (EFI)

1. Sjekk motoroljen. Se under **Sjekkning av oljenivå**.
2. Sjekk at maskinens drivkontroller, hvis montert, er koblet ut.
3. Sett drivstoffkranen (A, Figur 5), hvis montert, i stillingen OPEN (åpen).
4. Sett gasspaken i stillingen SLOW (sakte).
5. Press stoppbryteren (D, Figur 5), hvis montert, i stillingen ON (på).
6. Vri den elektriske startbryteren (E, Figur 5) til stillingen ON (på) eller START.

OBS Bruk korte startsykluser for å forlenge starterens levetid (maks. fem sekunder). Vent ett minutt mellom startsyklusene.

Merk: Hvis ikke motoren starter etter gjentatte forsøk, ta kontakt med din lokale forhandler eller gå inn på VanguardEngines.com eller ring **1-800-999-9333** (i USA).

Chokesystemet

1. Sjekk motoroljen. Se under **Sjekkning av oljenivå**.
2. Sjekk at maskinens drivkontroller, hvis montert, er koblet ut.
3. Sett drivstoffkranen (A, Figur 5), hvis montert, i stillingen OPEN (åpen).
4. Sett gasspaken i stillingen FAST (hurtig).
5. Trekk ut choken (C, Figur 5), hvis montert i stillingen CLOSED (stengt).

Merk: Hvis motoren skal startes med et tørt drivstoffsystem (startes for første gang eller etter at den er gått tom for drivstoff), vil det være nødvendig å dreie den rundt lengre enn vanlig i chokestilling. Dette vil gi drivstoffpumpen nok tid til å fylle opp drivstoffsystemet.

6. Press stoppbryteren (D, Figur 5), hvis montert, i stillingen ON (på).
7. Vri nøkkelbryteren (E, Figur 5) til stillingen ON (på) eller START.
8. Hvis motoren starter, men stanser igjen umiddelbart, trykkes choken (C, Figur 5) inn i stillingen OPEN (åpen) for å starte motoren.

OBS Bruk korte startsykluser for å forlenge starterens levetid (maks. fem sekunder). Vent ett minutt mellom startsyklusene.

9. Trykk choken (C, Figur 5) mot stillingen OPEN (åpen) ettersom motoren varmes opp.

Merk: Hvis ikke motoren starter etter gjentatte forsøk, ta kontakt med din lokale forhandler eller gå inn på VanguardEngines.com eller ring **1-800-999-9333** (i USA).

Stans motoren



Drivstoff og drivstoffdamp er meget brannfarlig og eksplosiv.

En brann eller eksplosjon kan føre til alvorlige brannskader eller dødsfall.

- Motoren må ikke stanses ved å kvele forgasseren, hvis montert.

1. **Stoppbryter, hvis montert:** Sett stoppebryteren (D, Figur 5) i stillingen "off" (av). **Nøkkelbryter, hvis montert:** La gasspaken, hvis montert, stå i stillingen "slow" (sakte) og vri nøkkelbryteren (E, Figur 5) i stillingen "off" (av). Ta ut nøkkelen og legg den på et trygt sted som er utilgjengelig for barn.

2. Steng drivstoffkranen (A, Figur 5), hvis montert, etter at motoren er stanset.

Vedlikehold

OBS Hvis maskinen veltes under vedlikeholdsarbeidet, må drivstofftanken, hvis montert på motoren, være tom og siden der tennpluggen sitter må vende opp. Hvis drivstofftanken ikke er tom og hvis maskinen veltes i en annen retning, kan det bli vanskelig å starte den på grunn av olje- eller bensinsmitte til luftfilter og/eller tennplugg.



ADVARSEL

Når det er nødvendig å velte maskinen for å utføre vedlikehold, må drivstofftanken være tom, ellers kan drivstoff renne ut og forårsake brann eller eksplosjon.

Vi anbefaler at du tar kontakt med et Briggs & Stratton autorisert forhandlerverksted for å få utført alt vedlikeholdsarbeid og service av motoren og de tilhørende delene.

OBS Alle komponenter som er brukt i denne motoren må være montert for at den skal fungerer riktig.



ADVARSEL



En tilfeldig gnist kan forårsake brann eller elektrisk støt.

Utsiktet oppstart kan resultere i innfiltrering, traumatisk amputasjon eller sårskader.

Brannfare

Før justeringer eller reparasjoner utføres:

- Koble fra tennpluggledningen og fest den på avstand fra tennpluggen.
- Koble fra den negative batteripolen (gjelder kun motorer med elektrisk start).
- Bruk kun riktige verktøy.
- Ikke kluss med regulatorfjærene, forbindelsesleddene eller andre deler for å øke motorturtallet.
- Reservedeler må alltid være av samme type og monteres i samme posisjon som de originale delene. Andre deler kan muligens ikke yte like bra, kan skade enheten og kan resultere i skade.
- Slå aldri på svinghjulet med en hammer eller en annen hard gjenstand da svinghjulet kan sprekke senere under drift.

Testing av gnist:

- Bruk godkjent tennpluggtester.
- Ikke sjekk om det er gnist hvis tennpluggen er fjernet.

Avgasskontrollservice

Vedlikehold, utskifting eller reparasjon av avgasskontroll-enheter og systemer kan utføres av ethvert verksted eller av enkeltindivider. Men for å oppnå "gratis" avgasskontroll-service, må arbeidet utføres av en fabrikkautorisert forhandler. Se erklæringene som gjelder avgasskontroll.

Vedlikeholdsplan

Hver 8. time eller daglig
<ul style="list-style-type: none">• Sjekk motorens oljenivå• Rengjør området rundt eksospotten og kontrollene
Hver 100. time eller en gang i året
<ul style="list-style-type: none">• Skift ut tennpluggene• Skift motorolje• Skift ut oljefilteret (hvis montert)• Utfør service på luftfilteret ¹• Rens forfilteret (hvis montert) ¹• Utfør vedlikehold av eksossystemet
Hver 250. time
<ul style="list-style-type: none">• Sjekk ventilklingen. Justeres hvis nødvendig.
Hver 400. time eller en gang i året

- Skift ut luftfilteret
- Skift ut drivstoffilteret
- Utfør vedlikehold av kjølesystemet ¹
- Rengjør ribbene på oljekjøleren ¹

¹ Rengjør oftere hvis arbeidsforholdene er veldig støvete eller hvis mye rusk virvles opp i luften.

Forgasser og motorhastighet

Forgasseren eller motorhastigheten må aldri endres. Forgasseren ble innstilt i fabrikk slik at den fungerer effektivt under de fleste forhold. Ikke kluss med regulatorfjæren, forbindelsesledd eller andre deler for å endre motorhastigheten. Hvis det er nødvendig å foreta justeringer, ta kontakt med et autorisert Briggs & Stratton forhandlerverksted for å få arbeidet utført.

OBS Maskinprodusenten spesifiserer maksimal hastighet for motoren som er montert på maskinen. Denne hastigheten må **ikke overskrides**. Hvis du er usikker på hva den maksimale hastigheten til maskinen er, eller hva slags motorhastighet som ble innstilt på fabrikk, ta kontakt med et autorisert Briggs & Stratton forhandlerverksted for å få hjelp. For at maskinen skal fungere på en trygg og riktig måte, må motorhastigheten kun justeres av en kvalifisert mekaniker.

Vedlikehold av tennpluggen.

Se figur: 6

Sjekk elektrodeavstanden (A, Figur 6) med en trådlære (B). Juster elektrodeavstanden hvis det er nødvendig. Sett inn tennpluggen og stram den med anbefalt tiltrekningsmoment. For innstilling av elektrodeavstand eller tiltrekningsmoment, se under **Spesifikasjoner**.

Merk: På enkelte steder må man i henhold til lokale forskrifter bruke en tennplugg av resistortypen for å dempe tennings signaler. Hvis denne motoren opprinnelig hadde en resistortennplugg, må samme type benyttes ved utskifting.

Vedlikehold av eksosystemet



ADVARSEL



Motorer som er i gang utvikler varme. Motordeler, spesielt eksospotter, blir meget varme.

Berøring av slike deler kan forårsake alvorlige brannskader.

Brennbart materiale, slik som løv, gress, småkratt osv., kan antennes.

- La eksospotte, motorsylinder og ribber avkjøles før de berøres.
- Ta bort oppsamlet rusk fra området rundt eksospotten og sylinderen.
- Det er et brudd på Californias Lov om offentlige ressurser, seksjon 4442, å bruke eller ha motoren i gang på et skogkledd, kratt-dekket, eller gresskledd stykke land med mindre eksosystemet er utstyrt med en gnistfanger, slik dette er definert i seksjon 4442, og holdt i fullgod stand. Andre stater eller føderale jurisdiksjoner kan ha liknende lover. Kontakt maskinprodusenten, detaljisten eller forhandleren for å få en gnistfanger som er laget til eksosystemet installert på denne motoren.

Ta bort oppsamlet rusk fra området rundt eksospotten og sylinderen. Sjekk om eksospotten har sprekker, korrosjon eller annen skade. Fjern ledeplaten eller gnistfangeren, hvis montert, og se etter skader eller karbonblokkering. Hvis det finnes skader, må delene skiftes ut før maskinen brukes.



ADVARSEL

Reservedeler må alltid være av samme type og monteres i samme posisjon som de originale delene. Andre deler kan muligens ikke yte like bra, kan skade enheten og kan resultere i personlige skader.

Skift motorolje

Se Figur: 7, 8, 9

Brukt olje er et farlig avfallsprodukt og må behandles som spesialavfall. Må ikke kastes sammen med husholdningsavfall. Sjekk med lokale myndigheter, servicesenter eller forhandler angående offentlige kasserings-/gjenvinningsanlegg.

Tømming av olje

1. Koble fra tennpluggledningen(e) (D, Figur 7) mens motoren er slått av men fremdeles varm, og hold ledningen(e) borte fra tennpluggen(e) (E).
2. Ta ut peilepinnen (A, Figur 8).
3. Fjern oljetappepluggen (F, Figur 9). Tapp av oljen på en godkjent beholder.
4. Sett inn og stram oljetappepluggen (F, Figur 9) etter at oljen er tømt ut.

Skift oljefilter, hvis montert

Noen modeller er utstyrt med et oljefilter. Se intervallene for utskifting i **Vedlikeholdsplanen**.

1. Tøm oljen ut av motoren. Se under **Tømming av olje**.
2. Fjern oljefilteret (G, Figur 9) og kast det i henhold til forskriftene.
3. Før du monterer det nye oljefilteret, skal oljefilterpakningen smøres med litt ny, ren olje.
4. Skru inn det nye oljefilteret for hånd helt til pakningen kommer i kontakt med oljefilteradapteren, og stram det deretter 1/2 til 3/4 omdreining.
5. Påfylling av olje. Se under **Påfylling av olje**.
6. Start og kjør motoren. Sjekk om det er oljelekkasjer ettersom motoren varmes opp.
7. Ta ut peilepinnen og sjekk oljenivået. Riktig oljenivå er øverst på full-indikatoren (B, Figur 8) på peilepinnen.

Påfylling av olje

- Sjekk at motoren står vannrett.
 - Rengjør området rundt oljepåfyllingen for å fjerne alt rusk.
 - Se under **Spesifikasjoner** for oljekapasiteten.
1. Ta ut peilepinnen (A, Figur 8) og tørk av den med en ren klut.
 2. Hell oljen sakte i motoroljepåfyllingen (C, Figur 8). **Ikke overfyll**. Etter å ha fylt på olje, vent ett minutt og sjekk deretter oljenivået.
 3. Sett inn og stram peilepinnen (A, Figur 8).
 4. Ta ut peilepinnen og sjekk oljenivået. Riktig oljenivå er øverst på full-indikatoren (B, Figur 8) på peilepinnen.
 5. Sett inn og stram peilepinnen (A, Figur 8).
 6. Koble tennpluggledningen(e) (D, Figur 7) til tennpluggen(e) (E).

Utfør vedlikehold på luftfilteret

Se Figur: 10



ADVARSEL

Drivstoff og drivstoffdamp er meget brannfarlig og eksplosiv.

En brann eller eksplosjon kan føre til alvorlige brannskader eller dødsfall.

- Motoren må aldri startes og kjøres hvis luftfilterenheten (hvis montert) eller luftfilteret (hvis montert) er tatt av.

OBS Bruk ikke trykkluft eller løsemidler til å rengjøre filteret. Trykkluft kan skade filteret og løsemidler vil gjøre at filteret går i oppløsning.

Se **Vedlikeholdsplanen** for informasjon om service.

Luftfiltersystemet har et papirfilter med et valgfritt forfilter. Forfilteret kan vaskes og brukes om igjen.

1. Fjern festet (festene) (A, Figur 10).
2. Fjern dekslet (B, Figur 10).
3. Fjern festet (festene) (C, Figur 10) og holderen (D).
4. Fjern luftfilteret (E, Figur 10).
5. Ta forfilteret (F, Figur 10), hvis montert, av luftfilteret (E).
6. Bank luftfilteret (E, Figur 10) forsiktig mot en hard flate for å løsne smuss. Hvis luftfilteret er veldig skittent, bytt det ut med et nytt luftfilter.
7. Vask forfilteret (F, Figur 10), hvis montert, i flytende vaskemiddel og vann. La forfilteret lufttørkes slik at det er helt tørt. **Forfilteret skal ikke** oljes.
8. Sett det tørre forfilteret (F, Figur 10), hvis montert, på luftfilteret (E).
9. Sett inn luftfilteret (E, Figur 10) og fest det med holderen (D) og festet (festene) (C).
10. Sett på dekslet (B, Figur 10) og fest det med festet (festene) (A). Sjekk at festet (festene) sitter stramt.

Utfør vedlikehold av drivstoffsystemet

Se Figur: 11



ADVARSEL

Drivstoff og drivstoffdamp er meget brannfarlig og eksplosiv.

Brann eller eksplosjon kan forårsake alvorlige brannskader eller død.

- Hold drivstoff unna gnister, åpen flamme, tennflammer, varme og andre tennkilder.
- Kontroller drivstoffslanger, tank, lokk og fester ofte for sprekker og lekkasjer. Skift ut om nødvendig.
- Tøm drivstofftanken eller steng drivstoffkranen før du renser eller bytter drivstofffilteret.
- Hvis du har sølt bensin, må du vente til den har fordampet før du starter opp motoren.
- Reservedelene må være av samme type og installeres i samme posisjon som originaldelene.

Drivstoffilter, hvis montert

1. Før du skifter ut drivstoffilter (A, Figur 11), hvis montert, tøm drivstofftanken eller steng drivstoffkranen. Hvis ikke kan drivstoff lekke ut og forårsake brann eller eksplosjon.
2. Bruk en tang til å klemme ned tappene (B, Figur 11) på klemmene (C), og skyv deretter klemmene bort fra drivstofffilteret (A). Vri og trekk drivstoff-ledningene (D) av drivstofffilteret.
3. Sjekk drivstofflinjene (D, Figur 11) for sprekker eller lekkasjer. Skift ut om nødvendig.
4. Skift ut drivstofffilteret - (A, Figur 11) med et originalt erstatningsfilter.
5. Fest drivstofflinjene (D, Figur 11) med klemmer (C) som vist.

Vedlikehold av kjølesystemet



ADVARSEL

Motorer som er i gang utvikler varme. Motordeler, spesielt eksospotten, blir meget varme.

Berøring av slike deler kan forårsake alvorlige brannskader.

Brennbar materiale, slik som løv, gress, småkratt osv., kan antennes.

- La eksospotte, motorsylinder og ribber avkjøles før de berøres.
- Ta bort oppsamlet rusk fra området rundt eksospotten og sylindren.

OBS Motoren må aldri rengjøres med vann. Vann kan forurense drivstoffsystemet. Bruk en børste eller en tørr klut til å rengjøre motoren.

Dette er en luftkjølt motor. Skitt eller rust kan hemme luftstrømmen og føre til at motoren overoppheles slik at den gir dårlig ytelse og får kortere levetid.

1. Bruk en børste eller en tørr klut til å fjerne partikler fra luftinntaksgitteret.
2. Hold forbindelsesledd, fjær og kontroller rene.
3. Hold området rundt og bak eksospotten fritt for brennbar materiale.
4. Sjekk at oljekjølerribbene, hvis montert, er frie for smuss og rusk.

Rusk kan samle seg over tid i sylindrens kjøleribber og føre til at motoren overoppheles. Rusk kan ikke fjernes uten at motoren delvis demonteres. Be et autorisert Briggs & Stratton forhandlerverksted om å inspisere og rengjøre kjølesystemet slik som anbefalt i **Vedlikeholdsplanen**.

Oppbevaring



ADVARSEL

Drivstoff og drivstoffdamper er ekstremt lett antennelige og eksplosive.

Brann eller eksplosjon kan forårsake alvorlige brannskader eller død.

Ved oppbevaring av drivstoff eller utstyr med drivstoff i tank

- må det ikke oppbevares i nærheten av fyringsanlegg, ovner, varmtvannsbereidere eller annet utstyr med tennflamme eller andre antenningskilder, da de kan antenne drivstoffdamp.

Drivstoffsystemet

Se Figur: 12

Motoren skal stå vannrett (i normal driftsposisjon) under lagringen. Fyll drivstofftank (A, Figur 12) med drivstoff. For å gi plass til å la drivstoffet utvide seg, fyll ikke til over drivstofftankens hals (B).

Drivstoff kan bli ødelagt når det oppbevares lenger enn over 30 dager. Gammelt drivstoff forårsaker dannelse av syre og gummiavleiringer i drivstoffsystemet eller på vesentlige forgasserdeler. For å holde drivstoffet friskt, bruk **Briggs & Stratton Advanced Formula drivstofftilsetning og stabilisator**, tilgjengelig overalt hvor Briggs & Strattons ekte servicedeler selges.

Det er ikke nødvendig å tappe bensin fra motoren hvis en drivstoff-stabilisator tilsettes i samsvar med instruksjonene. Kjør motoren i to (2) minutter for å la stabilisatoren få sirkulere i hele drivstoffsystemet før lagring.

Hvis bensinen i motoren ikke har vært behandlet med en drivstoffstabilisator, bør den tappes ut og opp i en godkjent beholder. Kjør motoren til den stopper pga. mangel på drivstoff. Bruken av en drivstoffstabilisator i lagringstanken anbefales for å opprettholde ferskhet.

Motorolje

Skift olje mens motoren ennå er varm. Se avsnittet om **Oljeskift**.

Problemløsning

Hvis du trenger hjelp, ta kontakt med din lokale forhandler eller gå inn på **VanguardEngines.com** eller ring **1-800-999-9333** (i USA).

Spesifikasjoner

Modell: 611400, 613400, 61E400, 61G400	
Sylindervolum	60.60 ci (993 cc)
Sylinderboring	3.366 in (85,5 mm)
Slaglengde	3.406 in (86,5 mm)
Oljekapasitet	78 - 80 oz (2,3 - 2,4 L)
Tennpluggens elektrodeavstand	.030 in (.76 mm)
Tennpluggens tiltrekningsmoment	180 lb-in (20 Nm)
Tennspolens luftspalte - Modeller med forgasser	.005 - .008 in (.13 - .20 mm)
Klaring for inntaksventil	.004 - .006 in (.10 - .15 mm)
Klaring for eksosventil	.007 - .009 in (.18 - .23 mm)

Motorens ytelse vil reduseres med 3,5% for hver 1.000 fot (300 meter) over havet og med 1% for hver 10° F (5,6° C) over 77° F (25° C). Motoren vil fungere tilfredsstillende ved en vinkel på opp til 15°. Se maskinens brukerhåndbok for tillatt trykk arbeidsvinkel i bakker.

Reservedeler - Modell: 611400, 613400, 61E400, 61G400	
Reservedel	Del nummer
Papirluftfilter (Figur 10)	692519
Forfilter (Figur 10)	692520
Olje - SAE 30	100028
Oljefilter	842921
Advanced Formula drivstofftilsetning & stabilisator	100117, 100120
Drivstofffilter	845125
Resistortennplugg	491055
Long Life Platinum tennplugg	5066
Tennpluggnøkkel	19374
Gnisttester	19368

Vi anbefaler at du tar kontakt med et autorisert Briggs & Stratton forhandlerverksted for å få utført alt vedlikeholdsarbeid og service av motoren og de tilhørende delene.

Effektberegning: Brutto effektberegning for individuelle bensinmotorer er merket i henhold til SAE-kode (Society of Automotive Engineers) J1940 Small Engine Power & Torque Rating Procedure, og er klassifisert i henhold til SAE J1995. Dreiemomentverdiene hentes ut ved 2600 RPM for motorer der "rpm" er nevnt på merket, og 3060 RPM for alle andre. Verdiene for hestekrefter hentes ut ved 3600 RPM. Bruttoeffektkurver kan sees på www.BRIGGSandSTRATTON.COM. Nettoeffektverdiene er målt med eksos- og luftfilter

installert, mens bruttoeffektverdier er målt uten at disse er montert. Reell brutto motoreffekt vil være høyere enn netto motoreffekt og påvirkes av blant annet forhold i omgivelsene og variasjoner fra motor til motor. På grunn av det brede spekteret av produkter som motorene er montert på, kan det hende at en bensinmotor ikke vil oppnå nominell bruttoeffekt når den brukes i et bestemt stykke motordrevet utstyr. Denne forskjellen skyldes en rekke faktorer, inkludert, men ikke begrenset til, variasjonen i motordeler (luftfilter, eksos, lader, kjøleanlegg, forgasser, drivstoffpumpe osv.), begrensninger i bruk, forhold i omgivelsene (temperatur, fuktighet, høyde), og variasjoner fra motor til motor. Grunnet begrensninger i produksjon og kapasitet, kan Briggs & Stratton erstatte en motor med høyere nominell effekt for denne motoren.

Garanti

Briggs & Stratton motorgaranti

Gyldig fra januar 2017

Begrenset garanti

Briggs & Stratton garanterer at i løpet av garantiperioden slik som angitt nedenfor, vil foretaket sørge for å gratis reparere eller skifte ut alle deler som er defekt pga. svikt i materiale, evt. utførelse eller begge deler. Transportkostnader for et produkt som sendes inn for reparasjon eller utskifting av deler som faller inn under denne garantien, må dekkes av kjøperen. Denne garantien er kun gyldig for og er underlagt den tidsperioden og de vilkårene som er nevnt nedenfor. Finn nærmeste autoriserte servicesenter ved hjelp av forhandlerkartet på BRIGGSandSTRATTON.COM. Kjøperen må kontakte autorisert serviceforhandler og deretter gjøre produktet tilgjengelig for den autoriserte forhandleren for inspeksjon og testing.

Det finnes ingen andre eksplisitte garantier. Underforståtte garantier, herunder om salgbarhet og egnethet for et bestemt formål er begrenset til garantitiden oppgitt nedenfor, eller til det som loven tillater. Ansvar for tilfeldige skader eller følgeskader er utelukkert i den grad utelukkelse er tillatt ved lov. Noen stater eller land tillater ikke begrensninger på hvor lang tid en implisitt garanti gjelder og noen stater eller land tillater ikke utelukkelse eller begrensning av tilfeldige skader eller følgeskader, slik at det er ikke sikkert at begrensningen eller utelukkelsen over gjelder for deg. Denne garantien gir deg spesifikke lovmessige og andre rettigheter som kan variere fra land til land⁴.

Standard garantivilkår 1, 2, 3

Merke / Produktnavn	Til bruk for forbrukere	Profesjonell bruk
Vanguard™; Kommerisiell serie	36 måneder	36 måneder
Motorer med Dura-Bore™ støpejernsforing	24 måneder	12 måneder
Alle andre motorer	24 måneder	3 måneder

¹ Dette er våre standard garantivilkår, men noen ganger kan det være ekstra garantidekning som ikke var bestemt på det tidspunktet dokumentasjonen gikk i trykken. For å se en liste over aktuelle garantivilkår for din maskin, gå inn på BRIGGSandSTRATTON.com eller henvend deg til ditt autoriserte Briggs & Stratton forhandlerverksted.

² Det er ingen garanti på motorer på utstyr som brukes til hoveddrivkraft istedet for hjelpedrivkraft eller til reservegeneratorer som brukes kommersielt. Motorer som er brukt til konkurransekjøring eller på kommersielle eller utleide baner er ikke dekket av garantien.

³ Vanguard montert på reservegeneratorer: 24 måneder for privat bruk, ingen garanti for forretningsmessig bruk. Vanguard montert på nyttekjøretøy: 24 måneder for privat bruk, 24 måneder for forretningsmessig bruk. Kommerisiell serie med produksjonsdato før juli 2017, 24 måneders forbrukerbruk, 24 måneders forretningsmessig bruk.

⁴ I Australia har våre varer garantier som ikke kan ekskluderes etter den australske forbrukerloven. Du har krav på erstatning eller refusjon for større svikt og kompensasjon for alt annet rimelig forutsigbart tap eller skade. Du har også rett til å få varene reparert eller skiftet ut dersom varene viser seg å ikke være av akseptabel kvalitet og svikten ikke er en stor svikt. For service under garantien, finn nærmeste autoriserte forhandlerverksted på kartet over forhandlere på BRIGGSandSTRATTON.com, eller ved å ringe 1300 274 447, eller ved å sende e-post eller skrive til salesenquiries@briggsandstratton.com.au, Briggs & Stratton Australia Pty Ltd, 1 Moorebank Avenue, Moorebank, NSW, Australia, 2170.

Garantiperioden begynner på den originale salgsdatoen til første forbruker eller kommersielle kunde. Med "privat bruk" menes personlig bruk av en forbruker i tilknytning til en husholdning som har skaffet seg varen fra en detaljhandler. "Forretningsmessig bruk" betyr all annen bruk, inkludert bruk for kommersielt, forretningsmessig eller utleieformål. Så snart en motor er blitt anvendt til profesjonelt bruk, vil den deretter bli betraktet som en kommersiell motor med hensyn til garantien.

Ta vare på kvitteringen som bevis på kjøp. Hvis du ikke skaffer til veie bevis på den opprinnelige kjøpsdatoen på det tidspunktet du gjør garantien gjeldende, vil produksjonsdatoen på produktet brukes til å fastsette garantiperioden. Produktregistrering er ikke nødvendig for å gjøre garantien gjeldende for Briggs & Stratton-produkter.

Om din garanti

Denne begrensede garantien dekker kun defekter på materialer og/eller utførelse av arbeid på motoren, og ikke erstatning eller tilbakebetaling for utstyret som motoren eventuelt er

montert på. Rutinemessig vedlikehold, trimming, justeringer eller normal slitasje dekkes ikke av denne garantien. Garantien er heller ikke gyldig hvis motoren er blitt endret eller modifisert eller hvis motorens serienummer er ødelagt eller fjernet. Denne garantien dekker ikke skader på motor eller problemer med ytelse forårsaket av:

1. Bruk av deler som ikke er originale Briggs & Stratton-deler;
2. Bruk av motoren med for lite olje, forurenset olje eller feil type olje;
3. Bruk av forurenset eller gammelt drivstoff, bensin som inneholder mer enn 10 % etanol, eller bruk av alternativt drivstoff slik som forskjellige typer flytende petroleum eller naturgass i motorer som ikke opprinnelig var konstruert/produisert av Briggs & Stratton til å bruke slike drivstofftyper;
4. Smuss som har kommet inn i motoren som resultat av feil vedlikehold eller feil montering av luftfilteret;
5. At kniven på en roterende gressklipper har truffet en gjenstand, løse eller feil monterte knivadapere, viftehjul eller andre deler som er koblet til veivakselen, eller at v-remmen er for stram;
6. Tilhørende deler eller enheter slik som kløtsjer, transmisjoner, kontroller for utstyr osv. som ikke er levert av Briggs & Stratton;
7. Overoppheting som resultat av at gressrester, rusk og partikler eller musereir blokkerer eller tetter igjen kjøleribbene eller svinghjulet, eller skader forårsaket av at motoren er blitt brukt på steder uten tilstrekkelig ventilasjon;
8. Sterk vibrasjon forårsaket av for høyt turtall, at motoren sitter løst, løstsittende eller ubalanserte kniver eller viftehjul, eller at utstyr er feil montert på veivakselen;
9. Feil bruk, manglende rutinemessig vedlikehold, transport, håndtering eller lagring av utstyr, eller feil montering av motoren.

Garantiservice er kun tilgjengelig gjennom Briggs & Strattons autoriserte servicesentere. Finn ditt nærmeste autoriserte forhandlerverksted på vårt kart over forhandlere på BRIGGSandSTRATTON.COM eller ved å ringe 1-800-233-3723 (in USA).

80004537 (Rev. C)

Not for
Reproduction

Este manual contém informações de segurança para o informar dos perigos e riscos associados à máquina e de como evitá-los. Contém igualmente instruções para usar e cuidar adequadamente do motor. Dado que a Briggs & Stratton Corporation não conhece necessariamente que equipamento este motor vai accionar, é importante que leia e compreenda estas instruções e as instruções relativas ao equipamento. **Guarde estas instruções originais para consulta futura.**

Nota: As figuras, ilustrações e imagens neste manual são apenas para referência, e podem diferir do seu modelo específico. Contacte o seu concessionário se tiver alguma dúvida.

Para solicitar peças de substituição ou assistência técnica, registe o modelo do motor, o tipo e os códigos numéricos bem como a data de aquisição. Estes números encontram-se no seu motor (consulte a secção **Características e Controlos**).

Data de aquisição	
Modelo do Motor - Tipo - Guarnição	
Número de Série do Motor	

Procure o código de barras 2D que se encontra em alguns motores. Quando visualizado com um dispositivo 2D adequado, o código revela o nosso website onde pode aceder a informações de apoio para este produto. Aos dados aplicam-se taxas. Em alguns países podem não estar disponíveis informações de apoio on-line.



Informação de Reciclagem



Os materiais de embalagem, óleos usados e baterias devem ser reciclados em conformidade com as regulamentações oficiais aplicáveis.

Segurança do utilizador

Símbolo de Alerta de Segurança e Palavras-sinal

O símbolo de alerta de segurança é usado para identificar informação de segurança sobre perigos que possam provocar ferimentos pessoais. É utilizada, com o sinal, uma palavra (PERIGO, ATENÇÃO ou CUIDADO) para identificar a probabilidade e a potencial gravidade dos ferimentos. Para além disso, pode ser utilizado um símbolo de perigo para representar o tipo de perigo.

PERIGO indica um perigo que, caso não seja evitado, **irá resultar em morte ou ferimentos graves.**

ATENÇÃO indica um perigo que, caso não seja evitado, **pode resultar em morte ou ferimentos graves.**

CUIDADO indica um perigo que, caso não seja evitado, **pode resultar em ferimentos ligeiros ou moderados.**

AVISO indica uma situação que **pode resultar em danos para o produto.**

Símbolos de Segurança e Respetivos Significados

Símbolo	Significado	Símbolo	Significado
	Informação de segurança sobre perigos que possam provocar ferimentos pessoais.		Deve ler e compreender o Manual do Utilizador antes de trabalhar ou intervir na unidade.
	Perigo de incêndio		Perigo de explosão.
	Perigo de choque		Perigo de fumos tóxicos
	Perigo de superfície quente		Perigo de ruído - Recomendável colocar protecção auricular em usos prolongados.
	Perigo de projecção de objectos - Colocar protecção ocular.		Perigo de explosão.
	Perigo de queimadura pelo frio		Perigo de contragolpe (coice)
	Perigo de amputação - peças móveis		Perigo químico
	Perigo térmico		Corrosivo

Mensagens de Segurança



ADVERTÊNCIA

Certos componentes neste produto e os seus acessórios relacionados contêm produtos químicos conhecidos pelo Estado da Califórnia por provocar cancro, malformações congénitas, ou outros danos reprodutivos. Lave as mãos após manuseamento.



ADVERTÊNCIA

O escape do motor deste produto contêm produtos químicos conhecidos pelo Estado da Califórnia por provocar cancro, malformações congénitas, ou outros danos reprodutivos.



ADVERTÊNCIA

Os motores da Briggs & Stratton não foram concebidos nem devem ser usados para accionar: karts de diversão; karts reais; veículos todo-terreno desportivos, para crianças, ou recreativos (ATV); motos; hovercraft; produtos aeronáuticos; ou veículos usados em provas de competição não aprovadas pela Briggs & Stratton. Para obter informações sobre produtos de competição, consulte www.briggsracing.com. Se pretender usar com ATV utilitários e "side-by-side", deve contactar o Briggs & Stratton Engine Application Center, 1-866-927-3349. A aplicação inadequada de motores pode provocar a morte ou ferimentos graves.



ADVERTÊNCIA



O combustível e os seus vapores são extremamente inflamáveis e explosivos.

Um incêndio ou explosão podem causar queimaduras graves ou a morte.

Quando Adicionar Combustível

- Desligue o motor e deixe-o arrefecer durante pelo menos 2 minutos antes de remover o tampão do combustível.
- Encha o depósito de combustível ao ar livre ou numa área bem ventilada.
- Não encha demais o depósito de combustível. Para permitir a expansão do combustível, não encha acima do fundo do pescoço do depósito de combustível.
- Mantenha o combustível afastado de faíscas, chamas abertas, chamas piloto, calor, e outras fontes de ignição.
- Verifique se existem rachas ou fugas nas linhas do combustível, depósito, tampão e acessórios. Substitua se necessário.
- Se derramar combustível, aguarde até que este evapore antes de colocar o motor em funcionamento.

Quando colocar o Motor em funcionamento

- Assegure que a vela de ignição, silenciador, tampão do combustível e purificador do ar (se instalado) estão em posição e fixos.
- Não acione o motor com a vela de ignição removida.
- Se o motor estiver imerso em óleo, defina o estrangulador (se instalado) para a posição OPEN/RUN (ABERTO/FUNIONAMENTO), desloque a válvula reguladora (se instalada) para a posição FAST (RÁPIDO) e acione até que o motor arranque.

Quando Operar o Equipamento

- Não incline o motor ou o equipamento ao ponto de derramar combustível.
- Não estrangule o carburador para parar o motor.
- Nunca coloque em funcionamento ou opere o motor com o conjunto do purificador do ar (se instalado) ou o filtro do ar (se instalado) removidos.

Quando Mudar o Óleo

- Se drenar o óleo a partir do tubo de enchimento de óleo superior, o depósito de combustível deve estar vazio ou o combustível pode vaziar e resultar num incêndio ou explosão.

Ao inclinar a unidade para manutenção

- Ao executar uma intervenção de manutenção que exija inclinar a unidade, o depósito de combustível, se estiver montado no motor, deve estar vazio ou o combustível pode vaziar e provocar um incêndio ou uma explosão.

Quando Transportar o Equipamento

- Transportar com o depósito de combustível VAZIO ou com a válvula de corte de combustível na posição CLOSED (FECHADA).

Quando Armazenar Combustível Ou Equipamento com Combustível No Depósito

- Armazene afastado de fomalhas, fogões, aquecedores de água ou outros aparelhos que tenham chamas piloto ou outras fontes de ignição porque estas podem incendiar os vapores do combustível.



AVERTÊNCIA

A ligação do motor provoca faísca.

A faísca pode inflamar os gases inflamáveis próximos.

Pode resultar em explosão e incêndio.

- Se houver fuga de gás natural ou GPL na área, não ligue o motor.
- Não utilize fluidos de arranque pressurizados porque os vapores são inflamáveis.



AVERTÊNCIA

PERIGO DE GÁS VENENOSO O escape do motor contém monóxido de carbono, um gás venenoso que pode ser fatal em poucos minutos. NÃO é visível, NÃO tem cheiro, NÃO tem sabor. Mesmo que não sinta o cheiro dos gases de escape, não deixa de estar exposto ao gás monóxido de carbono. Se começar a sentir-se doente, com tonturas ou fraqueza ao usar este produto, dirija-se DE IMEDIATO para um local bem ventilado. Consulte um médico. Pode estar com envenenamento por monóxido de carbono.

- Opere este produto APENAS no exterior, afastado das janelas, portas e aberturas, para reduzir o risco de acumulação de gás de monóxido de carbono e potencialmente ser atraído para espaços ocupados.
- Instale alarmes de monóxido de carbono alimentados a bateria ou de ligação à corrente com bateria de emergência em conformidade com as instruções do fabricante. Os detetores de fumos não detetam o monóxido de carbono gasoso.
- NÃO use este produto no interior de habitações, garagens, caves, espaços com pouca altura, estábulos, ou outros espaços parcialmente fechados ainda que possam existir ventiladores ou portas e janelas abertas para ventilação. O monóxido

de carbono pode acumular-se rapidamente nesses espaços e aí permanecer durante horas, mesmo depois de desligar este produto.

- Coloque SEMPRE este produto num local a favor do vento e aponte o escape do motor afastando-o de espaços ocupados.



AVERTÊNCIA

A retracção rápida do cabo de arranque (coice) irá puxar as mãos e os braços na direcção do motor mais rapidamente do que consegue evitar.

Tal pode provocar ossos partidos, fracturas, hematomas ou entorses.

- Ao colocar o motor em funcionamento, puxe o cabo de arranque lentamente até sentir resistência, e depois puxe rapidamente para evitar o coice.
- Retire todo o equipamento exterior/cargas do motor antes de ligar o motor.
- Componentes de equipamento de ligação directa tais como, entre outros, lâminas, rotores, polias, rodas dentadas, etc., têm de estar bem fixados.



AVERTÊNCIA

As peças rotativas podem tocar ou prender as mãos, pés, cabeça, roupa ou acessórios.

Daqui pode resultar uma amputação traumática ou laceração grave.

- Opere o equipamento com as proteções colocadas.
- Mantenha as mãos e os pés afastados de peças em rotação.
- Prenda o cabelo longo e remova as jóias.
- Não utilize vestuário solto, cordões pendentes ou outros itens que possam ficar presos.



AVERTÊNCIA

O funcionamento dos motores produz calor. As peças do motor, em particular o silenciador, ficam extremamente quentes.

Queimaduras térmicas graves podem ocorrer por contacto.

Entulhos combustíveis, tal como folhas, relva, mato, etc. podem incendiar-se.

- Deixe que o silenciador, o cilindro do motor e palhetas arrefeçam antes de tocar neles.
- Remova o entulho acumulado da área do silenciador e da área do cilindro.
- É uma violação do Código de Recursos Públicos da Califórnia, Secção 4442, usar ou operar o motor em ou perto de qualquer terreno de cobertura florestal, cobertura de arbustos, ou cobertura de relva, a menos que o sistema de escape esteja equipado com um para-chispas que cumpra com todas as leis locais ou estatais aplicáveis. Outras jurisdições estatais ou federais podem ter leis semelhantes. Contacte o fabricante de equipamento original, revendedor ou concessionário, para obter um detentor de faíscas concebido para o sistema de escape instalado neste motor.



AVERTÊNCIA

A ignição involuntária pode resultar num incêndio ou choque eléctrico.

O arranque involuntário pode provocar emaranhamento, amputação traumática, ou laceração.

Perigo de Incêndio

Antes de realizar ajustes ou reparos:

- Desligue o fio da vela de ignição e mantenha-o afastado da vela de ignição.
- Desligue a bateria no terminal negativo (apenas motores com arranque eléctrico).
- Utilize apenas as ferramentas correctas.
- Não tente alterar a mola do regulador do motor, ligações ou outras peças para aumentar a velocidade do motor.
- As peças de substituição devem ter o mesmo desenho e ser instaladas na mesma posição que as peças originais. Outras peças podem não funcionar tão bem, podem danificar a unidade, e podem resultar em lesões.
- Não golpeie o volante do motor com um martelo ou outro objeto duro porque o volante pode mais tarde quebrar durante o funcionamento.

Quanto testar a faísca:

- Use o dispositivo de teste de vela de ignição aprovado.
- Não teste a existência de faíscas com a vela de ignição removida.

Características e controlos

Controlos do motor

Compare a imagem (Figura: 1, 2) com o seu motor para se familiarizar com a localização das diferentes características e controlos.

- A. Números de identificação do motor **Modelo - Tipo - Código**
- B. Vela de Ignição
- C. Purificador do ar, baixo perfil
- D. Vareta
- E. Tubo de enchimento de óleo
- F. Filtro do Óleo
- G. Bujão de drenagem de óleo
- H. Sensor da pressão do óleo
- I. Grelha de admissão de ar
- J. Motor de arranque eléctrico
- K. Solenóide do motor de arranque
- L. Regulador/Rectificador
- M. Radiador do óleo (se instalado)
- N. Silenciador (se instalado)
- O. Bomba do combustível
- P. Interruptor de arranque ¹
- Q. Controlo do Estrangulador - Modelos com Carburador ¹
- R. Filtro de combustível (se instalado)

¹ Alguns motores e equipamentos possuem controlos à distância. Consulte no manual do equipamento a localização e o funcionamento dos controlos à distância.

Símbolos de Segurança do Motor e Respetivos Significados

Símbolo	Significado	Símbolo	Significado
	Velocidade do motor - FAST (RÁPIDA)		Velocidade do motor - SLOW (LENTA)
	Velocidade do motor - STOP (PARADO)		ON - OFF (LIGAR - DESLIGAR)
	Arranque do motor - Estrangulador CLOSED (FECHADO)		Arranque do motor - Estrangulador OPEN (ABERTO)
	Tampão do combustível Válvula de corte de combustível - OPEN (ABERTA)		Válvula de corte de combustível - CLOSED (FECHADA)
	Nível de combustível - Máximo Não encher demais.		

Funcionamento

Recomendações de Óleo

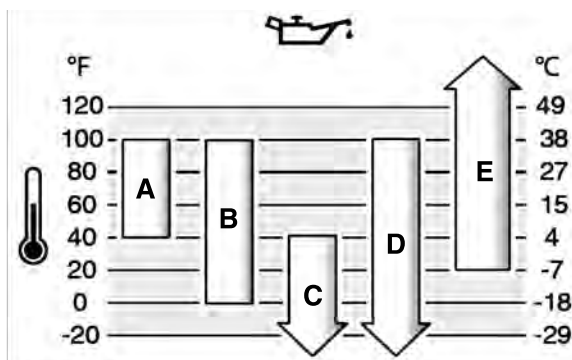
Capacidade de óleo: Veja a *secção de* Especificações.

AVISO

Este motor foi enviado da Briggs & Stratton sem óleo. Os fabricantes ou revendedores de equipamentos podem ter adicionado óleo ao motor. Antes de colocar o motor em funcionamento pela primeira vez, certifique-se de verificar o nível de óleo e adicionar óleo de acordo com as instruções neste manual. Se colocar o motor em funcionamento sem óleo, este ficará danificado sem reparação e não será coberto pela garantia.

Recomendamos o uso de óleos Certificados com Garantia da Briggs & Stratton para um melhor desempenho. Outros óleos detergentes de elevada qualidade são aceitáveis se classificados para o serviço SF, SG, SH, SJ ou superior. Não use aditivos especiais.

As temperaturas exteriores determinam a viscosidade de óleo adequada para o motor. Utilize a tabela para seleccionar a melhor viscosidade para o intervalo de temperatura exterior esperado. Os motores na maioria dos equipamentos de energia ao ar livre funcionam bem com óleo sintético 5W-30. Para equipamentos utilizados em temperaturas quentes, o óleo sintético Vanguard™ 15W-50 fornece a melhor protecção.



A	SAE 30 - Abaixo de 4 °C (40 °F) a utilização de SAE 30 irá resultar num arranque complicado.
B	10W-30 - Acima de 27 °C (80 °F) a utilização de 10W-30 pode causar o aumento do consumo de óleo. Verifique o nível de óleo mais frequentemente.
C	5W-30
D	Sintético 5W-30
E	Vanguard™ Synthetic 15W-50

Verifique o nível do óleo

Ver figura: 3

Antes de adicionar ou verificar o óleo

- Certifique-se de que a unidade está nivelada.
- Limpe a área de enchimento do óleo de quaisquer resíduos.

1. Remova a vareta (A, Figura 3) e limpe com um pano limpo.
2. Insira completamente a vareta (A, Figura 3).
3. Remova a vareta e verifique o nível do óleo. O nível do óleo correcto é no topo do indicador de cheio (B, Figura 3) da vareta.
4. Se o nível de óleo estiver baixo, adicione óleo lentamente no depósito de óleo do motor (C, Figura 3). **Não encher demais.** Depois de adicionar o óleo, aguarde um minuto e depois volte a verificar o nível do óleo.
5. Insira completamente a vareta (A, Figura 3).

Sistema de protecção de baixo nível de óleo (caso exista)

Alguns motores estão equipados com um sensor de baixo nível de óleo. Se o nível de óleo estiver baixo, o sensor pode activar um dispositivo de aviso ou desligar o motor. Desligue o motor e siga os passos indicados antes de ligar de novo o motor.

- Certifique-se de que a unidade está nivelada.
- Verifique o nível do óleo. Consulte a *secção Verificar nível de óleo.*
- Se o nível de óleo estiver baixo, acrescente a quantidade de óleo adequada. Ligue o motor e verifique se o dispositivo de aviso (caso exista) não está activado.

- Se o nível de óleo não estiver baixo, não ligue o motor. Contacte um Concessionário de Assistência Autorizado Briggs & Stratton para corrigir o problema do óleo.

Recomendações de Combustível

O combustível deve cumprir com estes requisitos:

- Gasolina limpa, fresca e sem chumbo.
- Um mínimo de 87 octanas/87 AKI (91 RON). Uso em altitude elevada, ver em baixo.
- Gasolina com até 10% de etanol (gasool) é aceitável.

AVISO Não use gasolinas não aprovadas, tal como a E15 e a E85. Não misture óleo na gasolina nem modifique o motor para funcionar com combustíveis alternativos. O uso de combustíveis não aprovados provocará danos nos componentes do motor e anulará a garantia do motor.

Para proteger o sistema de combustível da formação de goma, misture um estabilizador de combustível no combustível. Ver **Armazenagem**. Os combustíveis não são todos iguais. Se ocorrerem problemas de arranque ou de desempenho, troque de fornecedores de combustível ou troque de marcas. Este motor está certificado para funcionar com gasolina. O sistema de controlo de emissões para este motor é EM (Modificações do Motor).

Altitude Elevada

A altitudes acima dos 1524 metros (5000 pés), é aceitável uma gasolina com um mínimo de 85 octanas/85 AKI (89 RON).

Para motores com carburador, o ajuste de altitude elevada é necessário para manter o desempenho. A operação sem este ajuste irá causar uma diminuição de desempenho, o aumento do consumo de combustível e o aumento das emissões. Consulte um Concessionário Autorizado da Briggs & Stratton para informações sobre o ajuste para grande altitude. A operação do motor a altitudes abaixo dos 762 metros (2.500 pés) com o kit de altitude elevada não é recomendada.

Para motores com Injecção Electrónica de Combustível (EFI), não é necessário qualquer ajuste de altitude elevada.

Adicionar combustível

Ver Figura: 4



O combustível e os seus vapores são extremamente inflamáveis e explosivos.

Um incêndio ou explosão podem causar queimaduras graves ou a morte.

Quando Adicionar Combustível

- Desligue o motor e deixe-o arrefecer durante pelo menos 2 minutos antes de remover o tampão do combustível.
 - Encha o depósito de combustível ao ar livre ou numa área bem ventilada.
 - Não encha demais o depósito de combustível. Para permitir a expansão do combustível, não encha acima do fundo do pescoço do depósito de combustível.
 - Mantenha o combustível afastado de faíscas, chamas abertas, chamas piloto, calor, e outras fontes de ignição.
 - Verifique se existem rachas ou fugas nas linhas do combustível, depósito, tampão e acessórios. Substitua se necessário.
 - Se derramar combustível, aguarde até que este evapore antes de colocar o motor em funcionamento.
1. Limpe a área do tampão de combustível de sujidade e entulho. Remova o tampão do combustível.
 2. Encha o depósito de combustível (A, Figura 4) com combustível. Para permitir a expansão do combustível, não encha acima do fundo do pescoço do depósito de combustível (C).
 3. Instale de novo o tampão do combustível.

Ligar e desligar o motor

Ver figura: 5

Ligar o Motor



O combustível e os seus vapores são extremamente inflamáveis e explosivos.

Um incêndio ou explosão podem causar queimaduras graves ou a morte.

Quando colocar o Motor em funcionamento

- Assegure-se de que a vela de ignição, silenciador, tampão do combustível e purificador do ar (se instalado) estão em posição e fixos.
- Não acione o motor com a vela de ignição removida.
- Se o motor estiver imerso em óleo, defina o estrangulador (se instalado) para a posição OPEN/RUN (ABERTO/FUNIONAMENTO), desloque a válvula reguladora (se instalada) para a posição FAST (RÁPIDO) e acione até que o motor arranque.



PERIGO DE GÁS VENENOSO. O escape do motor contém monóxido de carbono, um gás venenoso que pode ser fatal em poucos minutos. NÃO é visível, NÃO tem cheiro, NÃO tem sabor. Mesmo que não sinta o cheiro dos gases de escape, não deixa de estar exposto ao gás monóxido de carbono. Se começar a sentir-se enjoado, com tonturas ou fraqueza ao usar este produto, desligue-o e dirija-se DE IMEDIATO para um local bem ventilado. Consulte um médico. Pode estar com sintomas de envenenamento por monóxido de carbono.

- Opere este produto APENAS no exterior, afastado das janelas, portas e aberturas, para reduzir o risco de acumulação de gás de monóxido de carbono e potencialmente ser atraído para espaços ocupados.
- Instale alarmes de monóxido de carbono alimentados a bateria ou de ligação à corrente com bateria de emergência em conformidade com as instruções do fabricante. Os detetores de fumos não detetam o monóxido de carbono gasoso.
- NÃO use este produto no interior de habitações, garagens, caves, espaços com pouca altura, estábulos, ou outros espaços parcialmente fechados ainda que possam existir ventiladores ou portas e janelas abertas para ventilação. O monóxido de carbono pode acumular-se rapidamente nesses espaços e aí permanecer durante horas, mesmo depois de desligar este produto.
- Coloque SEMPRE este produto num local a favor do vento e aponte o escape do motor afastando-o de espaços ocupados.

AVISO Este motor foi enviado da Briggs & Stratton sem óleo. Antes de colocar o motor em funcionamento, assegure-se que adiciona óleo de acordo com as instruções neste manual. Se colocar o motor em funcionamento sem óleo, este ficará danificado sem reparação e não será coberto pela garantia.

Determinar o Sistema de Arranque

Antes de iniciar o motor, deverá determinar o tipo de sistema de arranque no seu motor. O seu motor terá um dos seguintes tipos.

- **Sistema de Injecção Electrónica de Combustível (EFI):** Este sistema apresenta a Injecção Electrónica de Combustível. Não apresenta um estrangulador ou escorvador.
- **Sistema de Estrangulador:** Este sistema apresenta um estrangulador a ser utilizado para arranque em condições de temperaturas baixas. Alguns modelos apresentam um controlo do estrangulador separado enquanto outros combinam o controlo estrangulador e válvula reguladora. Este tipo não dispõe de um escorvador.

Nota: O equipamento pode ter controlos à distância. Consulte no manual do equipamento a localização e o funcionamento dos controlos à distância.

Sistema de Injecção Electrónica de Combustível (EFI)

1. Verifique o óleo do motor. Consulte a secção **Verificar nível de óleo**.
2. Assegure-se que os controlos de direcção do equipamento estão desengatados.
3. Rode a válvula de corte de combustível (A, Figura 5), se instalada, para a posição OPEN (ABERTA).
4. Desloque o controlo da válvula reguladora para a posição SLOW (LENTA).
5. Empurre o interruptor de paragem (D, Figura 5), se instalado, para a posição ON (LIGADO).
6. Rode o arrancador eléctrico (E, Figura 5) para a posição ON (LIGADO) ou START (ARRANQUE).

AVISO Para aumentar a vida do motor de arranque, use ciclos de arranque curtos (máximo de cinco segundos). Aguarde um minuto entre ciclos de arranque.

Nota: Se o motor não arranque após várias tentativas, contacte o seu concessionário local ou vá a **VanguardEngines.com** ou ligue para **1-800-999-9333** (nos EUA).

Sistema do Estrangulador

1. Verifique o óleo do motor. Consulte a secção **Verificar nível de óleo**.
2. Assegure-se que os controlos de direcção do equipamento estão desengatados.
3. Rode a válvula de corte de combustível (A, Figura 5), se instalada, para a posição OPEN (ABERTA).

- Desloque o controlo da válvula reguladora para a posição FAST (RÁPIDA).
- Puxe o controlo do estrangulador (C, Figura 5), se instalado, para a posição CLOSED (FECHADO).

Nota: Para ligar o motor com o sistema de combustível seco (a primeira vez que arranca ou após ficar sem combustível), será necessário mais tempo de accionamento na posição de estrangulamento. Assim a bomba do combustível terá tempo para iniciar o sistema de combustível.

- Empurre o interruptor de paragem (D, Figura 5), se instalado, para a posição ON (LIGADO).
- Rode o interruptor de chave (E, Figura 5) para a posição ON (LIGADO) ou START (ARRANQUE).
- Se o motor arrancar mas não continuar a funcionar, empurre o controlo do estrangulador (C, Figura 5) para a posição OPEN (ABERTO) para ligar o motor.

AVISO Para aumentar a vida do motor de arranque, use ciclos de arranque curtos (máximo de cinco segundos). Aguarde um minuto entre ciclos de arranque.

- À medida que o motor aquece, empurre o controlo do estrangulador (C, Figura 5) para a posição OPEN (ABERTO).

Nota: Se o motor não arrancar após várias tentativas, contacte o seu concessionário local ou vá a VanguardEngines.com ou ligue para **1-800-999-9333** (nos EUA).

Desligar o motor



ADVERTÊNCIA

O combustível e os seus vapores são extremamente inflamáveis e explosivos.

Um incêndio ou explosão podem causar queimaduras graves ou a morte.

- Não estrangule o carburador, se instalado, para parar o motor.
- Interruptor de paragem, se instalado:** Desloque o interruptor de paragem (D, Figura 5) para a posição off (desligado).
Interruptor de chave, se instalado: Com o controlo da válvula reguladora, se instalada, na posição slow (lenta), rode o interruptor de chave (E, Figura 5) para a posição off (desligado). Remova a chave e guarde-a num local seguro fora do alcance de crianças.
 - Depois do motor parar, rode a válvula de corte de combustível (A, Figura 5), se instalada, para a posição closed (fechada).

Manutenção

AVISO Se o motor estiver inclinado durante a manutenção, o depósito de combustível, se estiver montado no motor, deve estar vazio e o lado da vela de ignição deve estar para cima. Se o depósito de combustível não estiver vazio e se o motor for inclinado em qualquer outra direcção, pode ser difícil de arrancar devido a óleo ou gasolina a contaminar o filtro do ar e/ou a vela de ignição.



ADVERTÊNCIA

Ao executar uma intervenção de manutenção que exija inclinar a unidade, o depósito de combustível, se estiver montado no motor, deve estar vazio ou o combustível pode vaziar e provocar um incêndio ou uma explosão.

Recomendamos que visite um Concessionário de Assistência Autorizado Briggs & Stratton para qualquer intervenção de manutenção e assistência do motor e peças do motor.

AVISO Todos os componentes usados na construção deste motor devem permanecer montados para um funcionamento adequado.



ADVERTÊNCIA

Qualquer ignição involuntária pode originar um incêndio ou choque eléctrico.

Qualquer arranque involuntário pode originar emaranhamento, amputação traumática, ou laceração.

Perigo de incêndio

Antes de executar qualquer ajuste ou reparação:

- Desligue o fio da vela de ignição e mantenha-o afastado da vela de ignição.
- Desligue a bateria e o terminal negativo (só em motores com arranque eléctrico.)

- Use apenas as ferramentas adequadas.
- NÃO modifique a mola de controlo, as ligações ou outras peças para aumentar a velocidade do motor.
- As peças de substituição têm de ser iguais às peças originais e devem ser instaladas nas mesmas posições. Outras peças podem não ter o mesmo bom desempenho, podem danificar a unidade e podem provocar ferimentos.
- Não golpeie o volante do motor com um martelo ou outro objecto duro porque o volante pode mais tarde quebrar durante o funcionamento.

Ao testar a ignição:

- Utilize um verificador de velas de ignição aprovado.
- Não teste a existência de faíscas com a vela de ignição removida.

Manutenção do Controlo de Emissões

A manutenção, substituição, ou reparação dos dispositivos e sistema de controlo de emissões podem ser levadas a cabo por qualquer entidade individual ou colectiva de reparação de motores todo-terreno Todavia, para obter a manutenção de controlo de emissões "isenta de custos", o trabalho tem de ser executado por um concessionário autorizado de fábrica. Ver as Declarações de Controlo de Emissões.

Plano de manutenção

A cada 8 horas ou diariamente
<ul style="list-style-type: none"> Verifique o nível do óleo do motor Limpe a área à volta do silenciador e dos controlos
A cada 100 horas ou anualmente
<ul style="list-style-type: none"> Substitua as velas de ignição Mudar o óleo do motor Substitua o filtro de óleo (se instalado) Fazer a manutenção do filtro do ar ¹ Limpe o pré-purificador (se instalado) ¹ Manutenção do sistema de escape
A cada 250 horas
<ul style="list-style-type: none"> Verifique a folga da válvula. Substitua se for necessário.
A cada 400 horas ou anualmente
<ul style="list-style-type: none"> Substitua o filtro do ar Substitua o filtro do combustível Manutenção do sistema de arrefecimento ¹ Limpe as aletas do arrefecedor de óleo ¹

¹ Se houver muito pó ou resíduos transportados por via aérea, a limpeza deve ser mais frequente.

Carburador e Velocidade do Motor

Nunca faça ajustes ao carburador ou à velocidade do motor. O carburador foi configurado na fábrica para funcionar eficientemente na maioria das condições. NÃO modifique a mola de controlo, as ligações ou outras peças para aumentar a velocidade do motor. Se necessitar de algum ajuste, deve contactar um Concessionário de Assistência Autorizado Briggs & Stratton para a intervenção.

AVISO O fabricante do equipamento especifica a velocidade máxima do motor uma vez montado no equipamento. **Não exceda** esta velocidade. Se tiver dúvidas quanto à velocidade máxima do equipamento, ou sobre a regulação de fábrica da velocidade do motor, deve contactar um Concessionário de Assistência Autorizado Briggs & Stratton para esclarecimento. Para que o equipamento funcione bem e em segurança, a velocidade do motor só deve ser ajustada por um técnico de assistência habilitado.

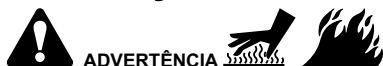
Manutenção da vela de ignição

Ver Figura: 6

Verifique a folga (A, Figura 6) com um calibrador (B). Se necessário, redefina a folga. Coloque e aperte a vela de ignição com o binário recomendado. Para obter a configuração da folga ou o binário, consulte a secção **Especificações**.

Nota: Em algumas regiões, a legislação local exige que se use uma vela de ignição com resistência para suprimir sinais da ignição. Se este motor estiver originalmente equipado com uma vela de ignição com resistência, faça a substituição por outra do mesmo tipo.

Manutenção do sistema de escape



ADVERTÊNCIA

O funcionamento dos motores produz calor. As peças do motor, especialmente o silenciador, ficam extremamente quentes.

Queimaduras térmicas graves podem ocorrer por contacto.

Entulhos combustíveis, tal como folhas, relva, mato, etc. podem incendiar-se.

- Deixe que o silenciador, o cilindro do motor e palhetas arrefeçam antes de tocar neles.
- Retire os resíduos que se acumulem na zona do silenciador e na do cilindro.
- É uma violação do Código de Recursos Públicos da Califórnia, Secção 4442, usar ou operar o motor em ou perto de qualquer terreno de cobertura florestal, cobertura de arbustos, ou cobertura de relva, a menos que o sistema de escape esteja equipado com um pára-chispas que cumpra com todas as leis locais ou estatais aplicáveis. Outras áreas estatais ou federais podem ter leis semelhantes. Para obter um pára-chispas concebido para o sistema de escape instalado neste motor, contacte o fabricante original do equipamento.

Retire os resíduos que se acumulem na zona do silenciador e na do cilindro. Examine o silenciador em busca de fendas, corrosão ou outros danos. Remova o pára-chispas, se instalado, e verifique se apresenta danos ou obstruções de carbono. Se detectar danos, monte peças de substituição antes de operar o equipamento.



ADVERTÊNCIA

As peças de substituição têm de ser iguais às peças originais e devem ser instaladas nas mesmas posições. Outras peças podem não ter o mesmo bom desempenho, podem danificar a unidade e podem provocar ferimentos.

Mudar o óleo do motor

Ver figura: 7, 8, 9

O óleo usado é um resíduo perigoso e deve ser eliminado de forma adequada. Não deitar fora com o lixo normal. Verifique com as suas autoridades locais, centro de assistência ou concessionário a existência de instalações de eliminação/reciclagem seguras.

Remover óleo

1. Com o motor desligado mas ainda quente, desligue o(s) fio(s) da(s) vela(s) de ignição (D, Figura 7) e mantenha-o(s) afastado(s) da(s) vela(s) de ignição (E).
2. Remova a vareta (A, Figura 8).
3. Remova o bujão de drenagem de óleo (F, Figura 9). Drene o óleo para um recipiente aprovado.
4. Depois de drenado o óleo, coloque e aperte o bujão de drenagem de óleo (F, Figura 9).

Mudar o filtro do óleo, se instalado

Alguns modelos estão equipados com um filtro de óleo. Para saber os intervalos de substituição, consulte o Plano de Manutenção .

1. Drene o óleo do motor. Consulte a secção **Remover Óleo** .
2. Remova o filtro do óleo (G, Figura 9) e elimine-o devidamente.
3. Antes de instalar o novo filtro de óleo, lubrifique ligeiramente o vedante do filtro de óleo com óleo fresco e limpo.
4. Instale o filtro do óleo manualmente até o vedante encostar ao adaptador do filtro do óleo e, depois, aperte o filtro entre 1/2 a 3/4 voltas.
5. Adicione óleo. Consulte a secção **Adicionar Óleo** .
6. Ligue o motor e deixe a funcionar. Enquanto o motor aquece, verifique se há fugas de óleo.
7. Desligue o motor e verifique o nível do óleo. O nível do óleo correcto é no topo do indicador de cheio (B, Figura 8) da vareta.

Adicionar óleo

- Certifique-se de que a unidade está nivelada.
- Limpe a área de enchimento do óleo de quaisquer resíduos.
- Consulte na secção **Especificações** a capacidade de óleo.

1. Remova a vareta (A, Figura 8) e limpe com um pano limpo.

2. Adicione óleo lentamente pelo tubo de enchimento de óleo (C, Figura 8). **Não encher demais.** Depois de adicionar o óleo, aguarde um minuto e depois verifique o nível do óleo.
3. Coloque e aperte a vareta (A, Figura 8).
4. Remova a vareta e verifique o nível do óleo. O nível do óleo correcto é no topo do indicador de cheio (B, Figura 8) da vareta.
5. Recoloque e aperte a vareta (A, Figura 8).
6. Ligue o fio da vela de ignição (D, Figura 7) à vela de ignição (E).

Manutenção do filtro do ar

Ver figura: 10



ADVERTÊNCIA



O combustível e os seus vapores são extremamente inflamáveis e explosivos.

Um incêndio ou explosão podem causar queimaduras graves ou a morte.

- Nunca coloque em funcionamento ou opere o motor com o conjunto do purificador do ar (se instalado) ou o filtro do ar (se instalado) removidos.

AVISO Não use ar pressurizado ou solventes para limpar o filtro. O ar pressurizado pode danificar o filtro e os solventes podem dissolver o filtro.

Consulte no **Plano de manutenção** os requisitos de assistência.

O sistema do filtro de ar usa um filtro de papel com um pré-purificador opcional. O pré-purificador pode ser lavado e reutilizado.

1. Remova o(s) fixador(es) (A, Figura 10).
2. Remova a tampa (B, Figura 10).
3. Remova o(s) fixador(es) (C, Figura 10) e o retentor (D).
4. Remova o filtro do ar (E, Figura 10).
5. Remova o pré-purificador (F, Figura 10), se instalado, do filtro do ar (E).
6. Para libertar os resíduos, bata levemente com o filtro do ar (E, Figura 10) numa superfície dura. Se o filtro do ar estiver excessivamente sujo, substitua por um novo filtro do ar.
7. Lave o pré-purificador (F, Figura 10), se instalado, com detergente líquido e água. Deixe o pré-purificador secar bem ao ar. **Não oleie** o pré-purificador.
8. Monte o pré-purificador seco (F, Figura 10), se instalado, no filtro do ar (E).
9. Instale o filtro do ar (E, Figura 10) e fixe com o retentor (D) e o(s) fixador(es) (C).
10. Instale a tampa (B, Figura 10) e prenda com o(s) fixador(es) (A). Certifique-se de que o(s) fixador(es) está(ão) apertado(s).

Manutenção do sistema de combustível

Ver Figura: 11



ADVERTÊNCIA



O combustível e os seus vapores são extremamente inflamáveis e explosivos.

Um incêndio ou explosão podem causar queimaduras graves ou a morte.

- Mantenha o combustível afastado de faíscas, chamas abertas, chamas piloto, calor e outras fontes de ignição.
- Verifique se existem rachaduras ou fugas nas linhas e no tanque de combustível, no tampão do tanque ou nas suas conexões. Substitua a peça rachada, se necessário.
- Antes de limpar ou substituir o filtro de combustível, drene o depósito de combustível ou feche a válvula de corte de combustível.
- Se derramar combustível, aguarde até que este evapore antes de colocar o motor em funcionamento.
- As peças de substituição têm de ser iguais às peças originais e devem ser instaladas nas mesmas posições.

Filtro de combustível, se instalado

1. Antes de substituir o filtro de combustível (A, Figura 11), se instalado, drene o tanque de combustível ou feche a válvula de corte de combustível. Caso contrário, pode ocorrer uma fuga de combustível e provocar um incêndio ou uma explosão.

- Use um alicate para comprimir as patilhas (B, Figura 11) nos grampos (C), e depois retire os grampos do filtro de combustível (A). Torça e puxe os tubos de combustível (D) para fora do filtro de combustível.
- Verifique se existem nos tubos de combustível (D, Figura 11) rachaduras ou fugas. Substitua se necessário.
- Substitua o filtro do combustível (A, Figura 11) por um filtro de substituição original.
- Fixe os tubos de combustível (D, Figura 11) com grampos (C) tal como mostrado.

Manutenção do sistema de arrefecimento



ADVERTÊNCIA

O funcionamento dos motores produz calor. As peças do motor, especialmente o silenciador, ficam extremamente quentes.

Queimaduras térmicas graves podem ocorrer por contacto.

Entulhos combustíveis, tal como folhas, relva, mato, etc. podem incendiar-se.

- Deixe que o silenciador, o cilindro do motor e palhetas arrefeçam antes de tocar neles.
- Retire os resíduos que se acumulem na zona do silenciador e na do cilindro.

AVISO Não use água para limpar o motor. A água pode contaminar o sistema de combustível. Limpe o motor com uma escova ou um pano seco.

Este motor é arrefecido a ar. O fluxo de ar pode sofrer restrições devido a sujidade ou resíduos, provocando o sobreaquecimento do motor, um fraco desempenho do mesmo e menor durabilidade.

- Use uma escova para remover os resíduos da grelha de admissão de ar.
- Mantenha a limpeza de ligações, molas e controlos.
- Mantenha a área à volta e por detrás do silenciador, caso exista, livre de resíduos combustíveis.
- Verifique se as aletas do arrefecedor de óleo, caso exista, estão livre de sujidade e resíduos.

Ao fim de algum tempo, os resíduos podem acumular-se nas aletas de arrefecimento do cilindro e provocar o sobreaquecimento do motor. Estes resíduos não se podem remover sem a desmontagem parcial do motor. Solicite a um Concessionário de Assistência Autorizado Briggs & Stratton que inspecione e limpe o sistema de arrefecimento de ar conforme recomendação no **Plano de Manutenção**.

Armazenamento



ADVERTÊNCIA

O combustível e os seus vapores são extremamente inflamáveis e explosivos.

Um incêndio ou explosão podem causar queimaduras graves ou a morte.

Quando Armazenar Combustível Ou Equipamento com Combustível no Depósito

- Armazene afastado de fomalhas, fogões, aquecedores de água ou outros aparelhos que tenham chamas piloto ou outras fontes de ignição porque estas podem incendiar os vapores do combustível.

Sistema de combustível

Ver Figura: 12

Armazene o motor nivelado (posição de funcionamento normal). Encha o tanque de combustível (A, Figura 12) com combustível. Para permitir a expansão do combustível, não encha acima do pescoço do depósito de combustível (B).

O combustível pode ficar fora do prazo quando for armazenado por mais de 30 dias. O combustível fora do prazo faz com que depósitos ácidos e gomas se formem no sistema de combustível ou em partes essenciais do carburador. Para manter o combustível fresco, use **Fórmula Avançada de Tratamento do Combustível e Estabilizador Briggs & Stratton**, disponível onde se vendem peças de reposição genuínas da Briggs & Stratton.

Não há necessidade de drenar gasolina do motor se um estabilizador de combustível for adicionado, de acordo com as instruções. Faça funcionar o motor durante dois (2) minutos, para circular o estabilizador ao longo do sistema de combustível antes do armazenamento.

Se a gasolina no motor não for tratada com um estabilizador de combustível, deve ser drenada para um recipiente aprovado. Faça funcionar o motor até este parar por falta de combustível. A utilização de um estabilizador de combustível no recipiente de armazenamento é recomendada para manter a frescura.

Óleo do Motor

Enquanto o motor está quente, troque o óleo do motor. Consulte a secção **Mudar o óleo do motor**.

Resolução de Problemas

Para obter assistência, contacte o seu concessionário local ou vá a **VanguardEngines.com** ou ligue para **1-800-999-9333** (nos USA).

Especificações

Modelo: 611400, 613400, 61E400, 61G400	
Cilindrada	60.60 ci (993 cc)
Cilindro	3.366 in (85,5 mm)
Curso	3.406 in (86,5 mm)
Capacidade de óleo	78 - 80 oz (2,3 - 2,4 L)
Folga da vela de ignição	.030 in (.76 mm)
Binário da vela de ignição	180 lb-in (20 Nm)
Folga de Ar da Armação - Modelos com Carburador	.005 - .008 in (.13 - .20 mm)
Folga da válvula de admissão	.004 - .006 in (.10 - .15 mm)
Folga da válvula de escape	.007 - .009 in (.18 - .23 mm)

A potência do motor diminui 3,5% por cada 300 metros (1000 pés) acima do nível do mar e 1% por cada 5,6 °C (10 °F) acima dos 25 °C (77 °F). O motor irá funcionar de forma satisfatória a um ângulo de até 15°. Consulte no manual do utilizador do equipamento os limites de autorizados para uma operação segura em declives.

Peças de assistência - Modelo: 611400, 613400, 61E400, 61G400	
Peça de assistência	Número da peça
Filtro do ar de papel (Figura 10)	692519
Pré-purificador (Figura 10)	692520
Óleo - SAE 30	100028
Filtro do Óleo	842921
Fórmula Avançada de Tratamento do Combustível e Estabilizador	100117, 100120
Filtro do combustível	845125
Vela de ignição com resistência	491055
Vela de ignição de platina de longa duração	5066
Chave de velas de ignição	19374
Verificador de velas	19368

Recomendamos que visite um Concessionário Autorizado Briggs & Stratton para qualquer intervenção de manutenção e assistência do motor e peças do motor.

Potência nominal: A potência total nominal para os modelos de motores a gasolina individuais está rotulada em conformidade com a SAE (Sociedade de Engenheiros Automobilísticos), Procedimento de Potência de Motor Pequeno e Binário Nominal, código J1940, e está classificada de acordo com a SAE J1995. Os valores de binário são obtidos a 2600 RPM para os motores com a indicação "rpm" na etiqueta e 3060 RPM para todos os outros; os valores de potência são obtidos a 3600 RPM. As curvas de potência total podem ser visualizadas em www.BRIGGSandSTRATTON.COM. Os valores de potência útil são retirados com o purificador de escape e de ar instalados, enquanto os valores de potência total são recolhidos sem estes acessórios. A potência total do motor será superior à potência útil do motor e é influenciada por, entre outras coisas, condições ambientais de funcionamento e a variabilidade de motor para motor. Devido à vasta gama de produtos em que os motores são colocados, o motor a gasolina pode não desenvolver a potência total classificada quando utilizado num determinado equipamento eléctrico. Esta diferença deve-se a uma variedade de factores incluindo, mas não se limitando à, variedade dos componentes do motor (purificador do ar, escape, carregador, arrefecimento, carburador, bomba do combustível, etc.), limitações de aplicação, condições ambientais de funcionamento (temperatura, humidade, altitude) e a variabilidade de motor para motor. Devido às limitações de fabrico e de capacidade, a Briggs & Stratton pode substituir o motor desta série por um motor de classificação de potência superior.

Garantia

Garantia do Motor Briggs & Stratton

Em vigor a partir de Janeiro de 2017

Garantia limitada

A Briggs & Stratton garante que, durante o período de garantia especificado em baixo, irá reparar ou substituir, gratuitamente, qualquer peça defeituosa em materiais relacionados com o produto e/ou mão-de-obra. Os encargos com o transporte do produto submetido para reparação ou substituição, ao abrigo desta garantia, devem ser suportados pelo comprador. Esta garantia é efectiva e está sujeita aos períodos de tempo e às condições abaixo referidas. Para obter assistência ao abrigo da garantia, procure o Concessionário de Assistência Autorizado mais próximo, usando o nosso mapa localizador em BRIGGSandSTRATTON.COM. O comprador deve contactar o Representante de Serviço Autorizado, e então disponibilizar o produto para o Representante de Serviço Autorizado fazer a inspeção e testes.

Não existe qualquer outra garantia expressa. Garantias implícitas, incluindo as referentes à comercialização e adequação a um objetivo em particular, estão limitadas ao período de garantia listado em baixo, ou ao que é permitido por lei. Exclui-se a responsabilidade por danos incidentais ou consequenciais de acordo com o permitido por lei. Alguns estados ou países não permitem limitações quanto à duração de uma garantia implícita e alguns estados e países não permitem a exclusão ou limitação de danos incidentais ou consequenciais, por isso a limitação e exclusão acima podem não se aplicar ao seu caso. Esta garantia concede-lhe direitos legais específicos. Pode também ter outros direitos que variam de Estado para Estado ou de país para país ⁴.

Condições Normais da Garantia 1, 2, 3

Nome da Marca/Produto	Utilização privada	Utilização comercial
Vanguard™; Série Comercial	36 meses	36 meses
Motores com camisa de ferro fundido Dura-Bore™	24 meses	12 meses
Todos os outros motores	24 meses	3 meses

¹Estas são as nossas condições normais de garantia, mas ocasionalmente pode aplicar-se uma cobertura adicional da garantia não definida à data da publicação. Para obter uma relação das actuais condições da garantia para o seu motor, consulte BRIGGSandSTRATTON.com ou contacte o seu Concessionário de Assistência Autorizado Briggs & Stratton.

² Não há qualquer garantia para motores em equipamento utilizado para potência primária em vez de uma utilidade ou para geradores de reserva utilizados para fins comerciais. Os motores utilizados em competições ou em veículos comerciais ou de aluguer não estão abrangidos pela garantia.

³ Vanguard instalado em geradores de reserva: 24 meses para utilização pelo consumidor, sem garantia para utilização comercial. Vanguard instalado em veículos utilitários: 24 meses para utilização pelo consumidor, 24 meses para utilização comercial. Série Comercial com data de fabrico anterior a julho de 2017, 24 meses para utilização pelo consumidor, 24 meses para utilização comercial.

⁴ Na Austrália - Os nossos produtos possuem garantias que não podem ser excluídas ao abrigo da lei australiana relativa aos direitos do consumidor. Tem direito a uma substituição ou reembolso por uma falha grave e a uma compensação por qualquer outra perda ou dano razoavelmente previsível. Também tem direito a ter os bens reparados ou substituídos se os bens não forem de qualidade aceitável e a falha não equivaler a uma falha grave. Para aceder ao serviço de garantia, contacte o revendedor autorizado mais próximo indicado no nosso mapa de localização de revendedores em BRIGGSandSTRATTON.COM, efectue um telefonema para o número 1300 274 447, envie um e-mail para salesenquires@briggsandstratton.com.au ou escreva para Briggs & Stratton Australia Pty Ltd, 1 Moorebank Avenue, NSW, Austrália, 2170.

O período da garantia começa a partir da data da aquisição original efectuada pelo primeiro revendedor ou consumidor final. "Utilização pelo Consumidor" significa a utilização doméstica e pessoal do agregado familiar por um consumidor de revenda. "Utilização comercial" refere-se a todas as outras utilizações, incluindo as utilizações com objectivos comerciais, de produzir rendimento ou de aluguer. No âmbito desta garantia, após a utilização de um produto para fins comerciais, este será considerado um produto para utilização comercial.

Guarde o recibo da compra como comprovativo. Se não fornecer o comprovativo da data de aquisição inicial no momento em que é pedida a assistência de garantia, será utilizada a data de fabrico do produto para determinar o período de garantia. O registo do produto não é necessário para obter o serviço de garantia em produtos de marca Briggs & Stratton.

Sobre a sua garantia

Esta garantia limitada abrange exclusivamente materiais relativos ao motor e/ou mão-de-obra, e não a substituição ou o reembolso do equipamento no qual o motor está montado. As intervenções de manutenção de rotina, as afinações, os ajustes, ou normal desgaste e ruptura não estão abrangidos por esta garantia. De igual modo, a garantia não se aplica se o motor tiver sido alterado ou modificado ou se o número de série do motor tiver sido adulterado ou removido. Esta garantia não abrange danos do motor ou problemas de desempenho causados por:

1. utilização de peças que não originais da Briggs & Stratton;
2. funcionamento do motor com óleo lubrificante insuficiente, contaminado ou de qualidade inadequada;
3. uso de combustível contaminado ou fora do prazo, gasolina formulada com mais de 10% de etanol, ou recurso a combustíveis alternativos como gás de petróleo liquefeito ou gás natural em motores não concebidos/fabricados de origem pela Briggs & Stratton para trabalhar com estes combustíveis;
4. sujidade que tenha penetrado no motor devido a deficiências na manutenção ou montagem do purificador de ar;
5. golpe num objecto provocado pela lâmina de corte de um cortador de relva rotativo, adaptadores de lâminas soltos ou mal montados, rotores, ou outros dispositivos acoplados à cambota, ou aperto excessivo da correia em V;
6. peças ou montagens associadas como embraiagens, transmissões, controlos do equipamento, etc., não fornecidos pela Briggs & Stratton;
7. sobreaquecimento devido a pedaços de erva, sujidade e resíduos, ou ninhos de roedores que entopem ou colmatam as aletas de arrefecimento ou a área do volante do motor, ou por operação do motor sem ventilação suficiente;
8. demasiada vibração devida a velocidade excessiva, montagem do motor mal apertada, lâminas de corte ou rotores soltos ou desequilibrados, ou acoplagem deficiente de componentes do equipamento à cambota;
9. má utilização, falta de manutenção de rotina, transporte, manuseamento, ou armazenagem do equipamento, ou montagem inadequada do motor.

O serviço de garantia apenas se encontra disponível através dos revendedores autorizados Briggs & Stratton. Localize o seu Concessionário de Assistência Autorizado mais próximo no nosso mapa de concessionários em BRIGGSandSTRATTON.COM ou ligando para 1-800-233-3723 (nos EUA).

80004537 (Rev. C)

Denna handbok innehåller säkerhetsinformation som gör dig uppmärksam på de faror och risker som är förknippade med motorer och hur man undviker dem. Den kan även innehålla instruktioner för en korrekt användning och skötsel av motor. Då Briggs & Stratton inte nödvändigtvis känner till vilken maskin denna motor driver, är det viktigt att du läser och förstår dessa anvisningar och anvisningarna för den maskin som motorn driver. **Spara instruktionerna för framtida referens.**

Anm.: Siffrorna och illustrationerna i handboken är enbart för referens, och kan skilja sig från just din modell. Kontakta din återförsäljare om du har frågor.

För reservdelar eller teknisk hjälp i framtiden, skriver du motorns modell-, typ- och kodnummer samt inköpsdatum här. De här numren finns på din motor (se avsnittet **Funktioner och regler**).

Inköpsdatum:	
Motormodell - Typ - Trim	
Motorns serienummer	

Lokalisera 2D-streckkoden på vissa motorer. Vid visning med en anordning med 2D-kapacitet kommer koden att öppna vår webbplats där du kan komma åt supportinformation för den här produkten. Datakostnader kan tillkomma. Vissa länder kanske inte har någon tillgänglig supportinformation online.



Information om återvinning

		Alla förpackningar, gammal olja och batterier ska återvinnas enligt gällande statliga bestämmelser.
--	--	---

Förarens säkerhet

Säkerhetssymboler och signalord

Varningssymbolen används för att peka på säkerhetsinformation om risker som kan leda till personskador. Ett signalord (FARA, VARNING eller FÖRSIKTIGHET) används tillsammans med varningssymbolen för att tilldela risken en sannolikhet och hur allvarliga skador som kan orsakas. Dessutom kan varningssymbolen användas för att visa på typen av fara.

FARA visar på en risk, som om den inte undviks, **leder till döden eller allvarlig skada.**

VARNING visar på en risk, som om den inte undviks, **kan leda till allvarlig skada eller döden.**

FÖRSIKTIGHET visar på en risk, som om den inte undviks, **kan orsaka lätt eller måttlig skada.**

OBS! indikerar en åtgärd som **kan orsaka skada på produkten.**

Farosymboler och deras innebörd

Symbol	Innebörd	Symbol	Innebörd
	Säkerhetsinformation om faror som kan leda till personskador.		Läs igenom och lär dig handboken innan du använder eller servar enheten.
	Brandrisk		Explosionsrisk

Symbol	Innebörd	Symbol	Innebörd
	Risk för elektriska stötar.		Risk för giftiga gaser.
	Risk för het yta		Bullerrisk - Hörselskydd rekommenderas vid längre användning.
	Risk för utslungade föremål - Ögonskydd.		Explosionsrisk
	Risk för köldskada		Risk för bakslag
	Risk för amputering - rörliga delar		Kemisk fara
	Termisk risk		Korrosiv

Säkerhetsmeddelanden



VARNING

Vissa komponenter från denna produkt och dess tillhörande tillbehör innehåller kemikalier som i delstaten Kalifornien konstaterats kunna förorsaka cancer, genetiska skador eller hämma fortplantningen. Tvätta händerna efter användning.



VARNING

Avgaserna från denna produkt innehåller kemikalier som i delstaten Kalifornien konstaterats kunna förorsaka cancer, genetiska skador eller hämma fortplantningen.



VARNING

Briggs & Stratton. Briggs & Strattons motorer är inte konstruerade och ska inte användas för att driva: funkarter, gokart-bilar, barn-, fritids och sportfordon för terrängkörning (ATV), motorcyklar, svävare, flygande apparater och fordon som används för tävlingsbruk som inte sanktionerats av Briggs & Stratton. För information om konkurrerande tävlingsprodukter, se www.briggsracing.com. För användning med bruks- och tvåsitsiga terrängfordon, kontakta Briggs & Stratton Engine Application Center, 1-866-927-3349. Felaktig användning av motorn kan resultera i allvarliga personskador eller dödsfall.



VARNING

Bränslet och dess ångor är extremt lättantändliga och explosiva.

Brand eller explosion kan orsaka svåra brännskador eller dödsfall.

Påfyllning av bränsle

- Stäng av motorn och låt den svalna under minst 2 minuter innan bensinlocket tas av.
- Fyll bränsletanken utomhus eller i ett välventilerat utrymme.
- Överfyll inte tanken. För att bränslet ska kunna expandera får man inte fylla på mer än till nederkanten av bränsletankens hals.
- Ha inte gnistor, öppna lågor, indikationslampor, värme och andra antändningskällor i närheten av bränsle.
- Kontrollera att det inte finns sprickor eller läckor på bränsleledningar, tank, lock och kopplingar. Byt vid behov.
- Låt utspilt bränsle förångas innan du startar motorn.

När motorn startas

- Se till att tändstift, tanklock och luftrenare (om sådan finns) sitter ordentligt på plats.
- Dra inte runt motorn med tändstiftet urtaget.
- Om motorn flödar, ska choken (om sådan finns) sättas i läget ÖPPEN/KÖR (OPEN/RUN), gasen (om sådan finns) flyttas till fullgasläge (FAST) och dra i snöret till motorn startar.

Vid körning av maskinen

- Tippa inte motorn eller maskinen i sådan vinkel att bränslet spills ut.
- Choka inte förgasaren för att stoppa motorn.
- Starta och kör aldrig motorn med luftrenaren (i förekommande fall) eller luftfiltret (i förekommande fall) borttaget.

Vid oljebyte

- Om du tappar ur olja från det övre oljepåfyllningsröret, måste bränsletanken vara tom, annars kan bränsle rinna ut och orsaka brand eller explosion.

När maskinen tipsas för underhåll

- Om bränsletanken är monterad på motorn, måste den vara tom när man utför underhåll som kräver att maskinen tipsas, annars kan bränslet läcka ut och orsaka brand eller explosion.

När utrustningen transporteras

- Transportera med TOM bränsletank eller med bränslets avstängningsventil i STÄNGT läge.

Vid förvaring av bränsle eller maskin med bränsle i tanken

- Förvara på avstånd från ugnar, brännare, vattenvärmare och andra apparater med sparlågor eller andra tändkällor, då sådana kan antända bränsleångor.



När motorn startas, skapas gnistor.

Gnistbildning kan antända lättantändliga gaser i närheten.

Det kan leda till explosion och brand.

- Om det finns läckande natur- eller LP-gas i området, ska motorn inte startas.
- Använd inte trycksatta startvätskor eftersom ångorna är lättantändliga.



VARNING FÖR GIFTIG GAS. Avgaser från motorn innehåller koloxid, som är en giftig gas som kan döda på bara några minuter. Koloxid är osynlig, smak- och luktlös. Även om du inte känner lukten av avgaser, kan du ändå utsättas för koloxidgas. Om du börjar känna dig illamående, yr eller matt när du använder produkten, ska du stänga av den och GENAST gå ut i frisk luft. Uppsök en läkare. Du kan vara koloxidförgiftad.

- Använd ENDAST denna produkt utomhus, på avstånd från fönster, dörrar och ventiler för att minska risken för att koloxid ska ansamlas och eventuellt dras in i bemannade utrymmen.
- Montera batteridrivet koloxidlarm eller eldrivet koloxidlarm med reservbatteri enligt tillverkarens anvisningar. Brandlarm kan inte detektera koloxidgas.
- Kör INTE produkten inomhus, i garage, källare, kryputrymmen, skjul eller andra delvis slutna utrymmen, även om fläktar används eller dörrar och fönster öppnas för ventilation. Koloxid kan snabbt ansamlas i den här typen av utrymmen och kan dröja kvar i timmar, även efter att produkten har stängts av.
- Placera ALLTID denna produkt i lä och rikta avgasutsläppet bort från bemannade utrymmen.



Snabb indragning av startsnöret (bakslag) drar hand och arm mot motorn innan man hinner släppa.

Kan leda till brutna ben, frakturer, blåmärken eller stukningar.

- Starta motorn genom att först dra ut snöret långsamt tills ett motstånd känns och sedan snabbt för att undvika backslag.
- Avlägsna alla utvändiga utrustnings-/motorbelastningar innan motorn startas.
- Direktkopplade maskindelar som t.ex. blad, rotor, remskivor, kuggkransar, etc., måste vara ordentligt fästa.



Roterande delar kan komma i kontakt med eller trassla in händer, fötter, hår, kläder eller tillbehör.

Svåra skärskador eller t.o.m. amputation kan inträffa.

- Kör maskinen med skydden på plats.
- Håll händer och fötter på avstånd från snurrande delar.
- Fäst upp långt hår och ta av smycken.
- Bär inte löst sittande kläder, dragband eller andra föremål som kan trassla in sig.



Motorer som körs producerar värme. Motordelar, speciellt ljuddämpare, blir extremt varma.

Svåra brännskador kan inträffa vid beröring.

Brännbart skräp, som t. ex. löv, gräs, buskar, etc. kan börja brinna.

- Låt ljuddämpare, motorcylinder och kylflänsar svalna innan du rör dem.
- Ta bort skräp som samlats från området kring ljuddämparen och cylindern.
- Det är olagligt enligt Kalifornisk lag om allmänna resurser, sektion 4442, att använda maskinen på skogsbeklädd, buskbeklädd eller gräsbeklädd mark om inte avgassystemet är utrustat med ett gnistskydd, som det beskrivs i sektion 4442, samt att det är underhållet och i fungerande skick. Andra delstater eller federala jurisdiktioner kan ha liknande lagar. Kontakta den ursprungliga tillverkaren, återförsäljaren eller säljaren av utrustningen, för att få en gnistfångare som är utformad för avgassystemet i denna motor.



Oavsiktliga gnistor kan orsaka brand eller elektriska stötar.

Oavsiktlig start kan resultera i intrassling, traumatisk amputation eller skärskador.

Brandrisk

Innan man utför justeringar eller reparationer:

- Lossa tändstiftskabeln och håll den borta från tändstiftet.
- Koppla ifrån batteriet vid den negativa polen (enbart motorer med elektrisk start).
- Använd endast rätt verktyg.
- Gör inga ändringar på regulatorfjäder, länkar eller andra delar för att öka motorns hastighet.
- Reservdelar måste vara av samma design och installeras på samma sätt som originaldelarna. Andra delar fungerar sannolikt inte lika bra, kan skada enheten och kan leda till skador.
- Slå inte på svänghjulet med hammare eller hårt föremål, eftersom svänghjulet då kan splittras under gång.

Vid kontroll av tändningssystem:

- Använd godkänd gnistprovare.
- Kontrollera inte motorns tändningssystem med tändstiftet nedmonterat.

Funktioner och reglage

Motorreglage

Jämför bilden (bild: 1, 2) med din motor för att bekanta dig med de olika funktionerna och reglagens placering.

- Motorbeteckning **Modell - Typ - Kod**
- Tändstift
- Luftrenare, lågprofil
- Oljesticka
- Oljepåfyllning
- Oljefilter
- Oljeavtappningsplugg

- H. Oljetrycksgivare
- I. Luftintagsgaller
- J. Elstart
- K. Startrelä
- L. Regulator/likriktare
- M. Oljekylare (om sådant finns)
- N. Ljuddämpare (i förekommande fall)
- O. Bränslepump
- P. Startbrytare ¹
- Q. Choke - förgasarmodeller ¹
- R. Bränslefilter (om sådant finns)

¹ Vissa motorer och maskiner har fjärrreglage. Var dessa sitter och hur de används beskrivs i bruksanvisningen till maskinen.

Motorreglagesymboler och deras innebörd

Symbol	Innebörd	Symbol	Innebörd
	Motorvarvtal - HÖGT		Motorvarvtal - LÅGT
	Motorvarvtal - STOPP		TILL - FRÅN
	Start av motor - choken STÅNGD		Motorstart - choken ÖPPEN
	Tanklock Bränslekran - ÖPPEN		Bränslekran - STÅNGD
	Bränslenivå - Maximal Överfyll inte		

Användning

Oljerekommendationer

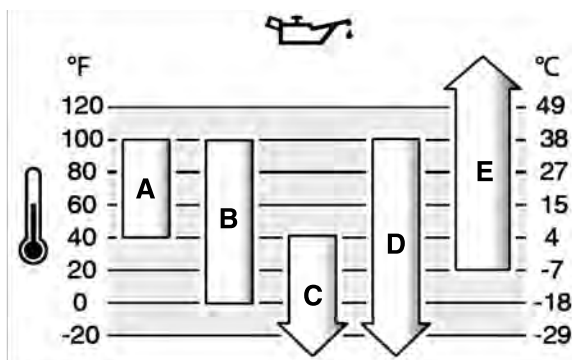
Oljevolym: Se avsnittet *Specifikationer*.

MÄRK

Motorn levereras från Briggs & Stratton utan olja. Vissa maskintillverkare eller återförsäljare kan ha fyllt på motorn med olja. Innan du startar motorn för första gången, se till att kontrollera oljenivån och att fylla på med olja enligt instruktionerna i bruksanvisningen. Om du startar motorn utan olja skadas den så att den inte kan repareras och det täcks inte av garantin.

För bästa prestanda rekommenderar vi användning av Briggs & Strattons garanticertifierade oljor. Andra detergentoljor av hög kvalitet är acceptabla om de är klassificerade för SF, SG, SH, SJ eller högre. Använd inga specialtillsatser.

Utomhustemperaturerna avgör rätt oljeviskositet för motorn. Använd tabellen för att välja rätt viskositet för den förväntade utomhustemperaturintervall. Motorn på de flesta utomhusmaskinerna fungerar bra med en syntetisk 5W-30-olja. För utrustning som används i varma temperaturer erbjuder den syntetiska Vanguard™ 15W-50-oljan det bästa skyddet.



A	SAE 30 - Under 40 °F (4 °C) är det svårt att starta med SAE 30.
B	10W-30 - Över 80 °F (27 °C) kan 10W-30 orsaka ökad oljeförbrukning. Kontrollera oljenivån oftare.
C	5W-30
D	Syntetisk 5W-30-olja
E	Syntetisk Vanguard™ 15W-50-olja

Kontrollera oljenivån

Se bild: 3

Före påfyllning eller kontroll av olja

- Se till att motorn står plant.
- Rengör området runt oljepåfyllningen.

1. Ta ut oljestickan (A, bild 3) och torka av den med en ren trasa.
2. Sätt i oljestickan helt (A, bild 3).
3. Ta ur oljestickan och kontrollera oljenivån. Rätt oljenivå är överst på fullmarkeringen (B, bild 3) på oljestickan.
4. Om oljenivån är lägre, fyll långsamt på olja i oljepåfyllningen (C, bild 3). **Överfyll inte.** När oljan tillsatts, vänta en minut och kontrollera därefter oljenivån igen.
5. Sätt i oljestickan helt (A, bild 3).

Skydd mot för låg oljenivå (i förekommande fall)

Vissa motorer är utrustade med en sensor för låg oljenivå. Om oljan är låg kommer sensorn antingen att aktivera en varningslampa eller stanna motorn. Stanna motorn och följ de här stegen innan motorn startas om.

- Se till att motorn står plant.
- Kontrollera oljenivån. Se avsnittet *Kontrollera oljenivån*.
- Om oljenivån är låg fyll på en riktigt mängd olja. Starta motorn och se till att varningslampan (om den finns) inte tänts.
- Om oljenivån inte är låg ska motorn inte startas. Kontakta en godkänd försäljare av Briggs & Stratton för att justera oljeplanet.

Bränslerekommendationer

Bränslet måste uppfylla dessa krav:

- Ren, färsk, blyfri bensin.
- Minst 87 oktan/87 AKI (91 RON). Användning på hög höjd, se nedan.
- Bensin med upp till 10 % etanol kan användas.

MÄRK Använd inte icke-godkänd bensin som E15 och E85. Blanda inte olja i bensin eller ändra motorn för att köra på alternativa bränslen. Användning av ej godkända bränslen ger motorskador som inte omfattas av garantin.

För att skydda bränslesystemet från att det bildas gummi, blanda i bränslestabilisator i bränslet. Se *Förvaring*. Allt bränsle är inte likadant. Om det blir problem med starten eller prestandan, byt bränsleleverantör eller byt varumärke. Denna motor är kalibrerad för att användas med bensin. Avgaskontrollsystemet för denna motor är EM (Engine Modifications).

Hög höjd

På höjder över 1 524 meter (5 000 fot), går minst 85 oktan/85 AKI (89 RON) bensin bra.

För förgasarmotorer krävs en höghöjdsjustering för att bibehålla prestandan. Användning utan denna justering leder till försämrad prestanda, ökad bränsleförbrukning och ökade

utsläpp. Kontakta en godkänd försäljare av Briggs & Stratton för information om justering för hög höjd. Användning av motorn på höjder under 762 meter (2 500 meter) med höghöjdsjustering rekommenderas inte.

För motorer med elektronisk bränsleinsprutning krävs ingen höghöjdsjustering.

Fylla på bränsle

Se bilden: 4



Bränslet och dess ångor är extremt lättantändliga och explosiva.

Brand och explosion kan orsaka svåra brännskador eller dödsfall.

Vid tankning

- Stäng av motorn och låt den svalna under minst 2 minuter innan tanklocket tas av.
 - Fyll bränsletanken utomhus eller i ett välventilerat utrymme.
 - Överfyll inte tanken. För att bensinen ska kunna expandera, ska bränslet inte nå ovanför nederkanten på tankens hals.
 - Ha inte gnistor, öppna lågor, indikationslampor, värme och andra antändningskällor i närheten av bränsle.
 - Kontrollera att det inte finns sprickor eller läckor på bränsleledningar, tank, lock och kopplingar. Byt vid behov.
 - Låt utspillt bränsle förångas innan du startar motorn.
- Rengör området runt tanklocket från smuts och skräp. Ta bort tanklocket.
 - Fyll på bränsletanken (A, bild 4) med bränsle. För att bränslet ska kunna expandera får man inte fylla på mer än till nederkanten av bränsletankens hals (B).
 - Sätt tillbaka tanklocket.

Starta och stanna motorn

Se bild: 5

Starta motorn



Bränslet och dess ångor är mycket brandfarliga och kan explodera.

Brand eller explosion kan orsaka svåra brännskador eller dödsfall.

När motorn startas

- Se till att tändstift, tanklock och luftrenare (om sådan finns) sitter ordentligt på plats.
- Dra inte runt motorn med tändstiftet urtaget.
- Om motorn flödar, ska choken (om sådan finns) sättas i läget ÖPPEN/KÖR (OPEN/RUN)-läge, gasen (om sådan finns) flyttas till FULLGAS (FAST)-läge och dra i snöret till motorn startar.



VARNING FÖR GIFTIG GAS. Avgaser från motorn innehåller koloxid, som är en giftig gas som kan döda på bara några minuter. Koloxid är osynlig, smak- och luktlös. Även om du inte känner lukten av avgaser, kan du ändå utsättas för koloxidgas. Om du börjar känna dig illamående, yr eller matt när du använder produkten ska du stänga av den och GENAST gå ut i frisk luft. Uppsök läkare. Du kan vara koloxidförgiftad.

- Använd ENDAST denna produkt utomhus, på avstånd från fönster, dörrar och ventiler för att minska risken för att koloxid ska ansamlas och eventuellt dras in i bemannade utrymmen.
- Montera batteridrivet koloxidlarm eller eldrivet koloxidlarm med reservbatteri enligt tillverkarens anvisningar. Brandlarm kan inte detektera koloxidgas.
- Kör INTE produkten inomhus, i garage, källare, kryputrymmen, skjul eller andra delvis slutna utrymmen, även om fläktar används eller dörrar och fönster öppnas för ventilation. Koloxid kan snabbt ansamlas i den här typen av utrymmen och kan dröja kvar i timmar, även efter att produkten har stängts av.
- Placera ALLTID denna produkt i vindriktning och rikta avgaser bort från bebodda utrymmen.

MÄRK Motorn levereras från Briggs & Stratton utan olja. Fyll på olja enligt anvisningarna i handboken innan du startar motorn. Om du startar motorn utan olja skadas den så att den inte kan repareras och täcks inte av garantin.

Fastställ typ av startsystem

Innan du startar motorn, måste du se efter vilken typ av startsystem som din motor är försedd med. Din motor har en av följande typer.

- Elektronisk bränsleinsprutning (Electronic Fuel Injection, EFI):** Den har ett elektroniskt bränsleinsprutningssystem. Den har ingen choke eller flödarblåsa.
- Choke:** Den har en choke som ska användas för att starta i låga temperaturer. Vissa modeller har ett separat choke-reglage medan andra har kombinerade choke- och gasreglage. Denna typ saknar flödarblåsa.

Anm.: Maskinen kan ha fjärreglage. Se bruksanvisningen för att se var dessa sitter och hur de används.

Elektronisk bränsleinsprutning (EFI)

- Kontrollera oljan. Se avsnittet **Kontrollera oljenivån**.
- Se till att maskinens reglage, i förekommande fall, är urkopplade.
- Öppna bränslekranen (A, bild 5), om sådan finns.
- Sätt gasreglaget i läge SLOW.
- Tryck stoppbrytaren (D, bild 5), om sådan finns, till läge ON.
- Vrid startbrytaren (E, bild 5) till läge till ON eller START.

MÄRK Gör bara korta startförsök (max. fem sekunder) så förlängs startmotorns livslängd. Vänta en minut mellan startförsöken.

Anm.: Vänd dig till närmaste återförsäljare eller gå till **VanguardEngines.com** eller ring **1-800-999-9333** (i USA) om motorn inte startar efter upprepade försök.

Chokesystem

- Kontrollera oljan. Se avsnittet **Kontrollera oljenivån**.
- Se till att maskinens reglage, i förekommande fall, är urkopplade.
- Öppna bränslekranen (A, bild 5), om sådan finns.
- Sätt gasreglaget i läge FAST.
- Dra ut choken (C, bild 5), om sådan finns, till läget CLOSED.

Anm.: När motorn ska startas med tömt bränslesystem (första gången den startas och efter att den kört slut på bränslet) krävs fler startförsök med choken stängd. Detta för att bränslepumpen ska kunna fylla på bränslesystemet.

- Tryck stoppbrytaren (D, bild 5), om sådan finns, till läge ON.
- Vrid tändningsnyckeln (E, bild 5) till ON eller START.
- Tryck chokereglaget (C, bild 5) till körläget (OPEN) för att starta motorn om den tänder men inte fortsätter att gå.

MÄRK Gör bara korta startförsök (max. fem sekunder) så förlängs startmotorns livslängd. Vänta en minut mellan startförsöken.

- Tryck in chokereglaget (OPEN) (C, bild 5) när motorn värms upp.

Anm.: Vänd dig till närmaste återförsäljare eller gå till **VanguardEngines.com** eller ring **1-800-999-9333** (i USA) om motorn inte startar efter upprepade försök.

Stanna motorn



Bränslet och dess ångor är extremt lättantändliga och explosiva.

Brand och explosion kan orsaka svåra brännskador eller dödsfall.

- Choka inte förgasaren, i förekommande fall, för att stoppa motorn.

- Stoppkontakt, om sådan finns:** Ställ stoppbrytaren (D, bild 5) i läge off.
Tändningslåsa, om sådant finns: Vrid tändningsnyckeln (E, bild 5) till Off med gasreglaget, i förekommande fall, i tomgångsläge. Ta ur nyckeln och förvara den utom räckhåll för barn.
- Stäng bränslekranen (A, bild 5), om sådan finns, när motorn stannat.

Underhåll

MÄRK Om maskinen tippas under underhållsarbete, måste tanken tömmas och tändstiftssidan vara uppåtvänd. Om inte bränsletanken är tom och maskinen tippas åt något håll, kan det vara svårt att starta på grund av att det har kommit olja eller besin på luftfiltret och/eller tändstiftet.



VARNING

Vid underhåll som kräver tippning av maskinen måste bränsletanken vara tom, annars kan bränsle läcka ut och orsaka brand eller explosion.

Vi rekommenderar att du tar kontakt med en auktoriserad Briggs & Stratton-verkstad för underhåll och reparation av motorn och dess delar.

MÄRK Alla de komponenter som använts för att bygga denna motor, måste sitta kvar för korrekt drift.



VARNING



Oavsiktliga gnistor kan resultera i brand eller stötar.

Oavsiktlig start kan resultera i intrassling, traumatisk amputation eller skärsår.

Brandrisk

Före justering eller reparation

- Lossa tändstiftskabeln och håll den borta från tändstiftet.
- Koppla bort batteriet vid minuspolen (endast motorer med elstart).
- Använd endast rätt verktyg.
- Justera INTE regulatorfjädrar, regulatorlänkar eller andra delar för att höja motorvarvtalet.
- Reservdelar måste vara av samma design och installeras på samma sätt som originaldelarna. Andra delar fungerar sannolikt inte lika bra, kan skada enheten och kan leda till skador.
- Slå inte på svänghjulet med hammare eller hårt föremål, eftersom svänghjulet då kan splittras under gång.

Vid kontroll av tändningssystem:

- Använd godkänd gnistprovare.
- Kontrollera inte motorns tändningssystem med tändstiftet nedmonterat.

Utsläppskontrollservice

Underhåll, byte eller reparation av avgaskontrollanordningar och system kan utföras av en verkstad eller person som reparerar motorer som inte är avsedda för väg. Men för att få utsläppskontrollservice "utan kostnad", måste arbetet utföras av en av tillverkaren godkänd säljare. Se Instruktioner om utsläppskontroll.

Underhållsschema

Var 8:e timma eller en gång per dag
<ul style="list-style-type: none">• Kontrollera motorns oljenivå• Rengör området runt ljuddämparen och reglagen
Var 100:e timme eller en gång om året
<ul style="list-style-type: none">• Byt tändstiften• Byta motorolja• Byt oljefilter (om sådant finns)• Gör service av luftfiltret ¹• Rengör förenaren (om sådan finns) ¹• Underhåll av avgassystem
Var 250:e timma
<ul style="list-style-type: none">• Mät ventilspelet. Justera vid behov.
Var 400:e timme eller en gång om året
<ul style="list-style-type: none">• Byt luftfilter• Byt bränslefilter• Service av kylsystem ¹• Rengör oljekylarflänsarna ¹

¹ Rengör oftare i dammiga miljöer och där det finns luftburet skräp.

Förgasare och motorhastighet

Utför aldrig några justeringar på förgasaren eller motorns hastighet. Förgasaren ställdes in på fabriken för att fungera effektivt under de flesta förhållanden. Gör inga ändringar på regulatorfjädrar, länkar eller andra delar för att öka motorns hastighet. Om justeringar krävs, kontakta en godkänd försäljare av Briggs & Stratton för service.

MÄRK Utrustningens tillverkare specificerar den maximala hastigheten för motorn som installerats på utrustningen. **Överstig** inte hastigheten. Om du inte är säker på vilken maximal hastighet som gäller för utrustningen, eller vilken motorhastighet som fabriksinställts, kontakta en godkänd försäljare av Briggs & Stratton för assistans. För en säker och korrekt funktion av utrustningen ska motorns hastighet endast justeras av en kompetent servicetekniker.

Kontrollera tändstiftet

Se bild: 6

Kontrollera gapet (A, bild 6) med ett trådkalibreringssystem (B). Återställ gapet om det behövs. Installera och dra åt tändstiftet till rekommenderat åtdragningsmoment. För gapinställning eller åtdragningsmoment, se avsnittet **Specifikationer**.

Anm.: I vissa områden fordrar den lokala lagstiftningen användning av avstödda tändstift för att undertrycka tändsignaler. Om denna motor ursprungligen utrustats med ett avstödd tändstift, bör samma typ av tändstift användas vid byte.

Demontering av avgassystem



VARNING



Motorer som körs producerar värme. Motorerdelar, speciellt ljuddämparen, blir extremt varma.

Svåra brännskador kan inträffa vid beröring.

Brännbart skräp, som t.ex. löv, gräs, buskar, etc. kan börja brinna.

- Låt ljuddämpare, motorcylinder och kylflänsar svalna innan du rör dem.
- Ta bort skräp som samlats från området kring ljuddämparen och cylindern.
- Det är ett brott mot avsnitt 4442 av California Public Resource Code att använda eller köra motorn på eller i närheten av skog-, snår- eller grästäckt mark om inte avgassystemet utrustats med en gnistfångare som uppfyller gällande lokala eller delstatliga lagar. Andra delstater eller federala jurisdiktioner kan ha liknande lagar. Kontakta den ursprungliga tillverkaren, återförsäljaren eller säljaren av utrustningen, för att få en gnistfångare som är utformad för avgassystemet i denna motor.

Ta bort skräp som samlats från området kring ljuddämparen och cylindern. Kontrollera om ljuddämparen är sprucken, rostig eller skadad. Rengör flamskyddet och inspektera om det är skadat eller blockerat av kol. Om skada hittas, installera reservdelar innan någon drift.



VARNING

Reservdelar måste vara av samma design och installeras på samma sätt som originaldelarna. Andra delar fungerar sannolikt inte lika bra, kan skada enheten och kan leda till skador.

Byta motorolja

Se bild: 7, 8, 9

Använd olja är farligt avfall och måste avyttras korrekt. Blanda inte med hushållsavfall. Rådgör med lokala myndigheter, servicecenter eller handlare.

Urtappning av olja

1. Med motorn avstängd men fortfarande varm, lossa tändstiftskabeln (D, bild 7) och håll den borta från tändstiftet (E).
2. Ta ut oljestickan (A, bild 8).
3. Skruva ur oljepluggen (F, bild 9). Tappa ut oljan i en godkänd behållare.
4. Sätt tillbaka och dra åt oljepluggen (F, bild 9) när oljan runnit ut.

Byta oljefilter, om sådant finns

Vissa motorer är utrustade med oljefilter. Underhållsintervaller beskrivs i **Underhållsschema**.

1. Tappa ur oljan ur motorn. Se avsnittet **Tappa ur oljan**.
2. Demontera oljefiltret (G, bild 9) och lämna det till återvinningscentralen.
3. Stryk på lite ren olja på packningen innan du monterar det nya filtret.
4. Skruva på filtret med handkraft tills packningen går emot filterfästet och dra åt ytterligare ett halvt till trekvarts varv.
5. Fyll på olja. Se avsnittet **Fyll på olja**.
6. Starta och kör motorn. Titta efter oljeläckage medan motorn värms upp.
7. Stanna motorn och kontrollera oljenivån. Rätt oljenivå är överst på fullmarkeringen (B, bild 8) på oljestickan.

Påfyllning av olja

- Se till att motorn står plant.
- Rengör området runt oljepåfyllningen.
- Oljevolyten finns angiven i **avsnittet om olja i Data**.

1. Ta ut oljestickan (A, bild 8) och torka av den med en ren trasa.
2. Håll långsamt på olja i motoroljeröret (C, bild 8). **Överfyll inte**. Vänta en minut och kontrollera oljenivån.
3. Sätt i och dra åt oljestickan (A, bild 8).
4. Ta ut oljestickan och kontrollera oljenivån. Rätt oljenivå är överst på fullmarkeringen (B, bild 8) på oljestickan.
5. Sätt tillbaka och dra åt oljestickan (A, bild 8).
6. Anslut tändkabeln (kablarna) (D, bild 7) till tändstiftet (stiften) (E).

Rengöra luftfiltret

Se bild: 10



Bränslet och dess ångor är extremt lättantändliga och explosiva.

Brand och explosion kan orsaka svåra brännskador eller dödsfall.

- Starta eller kör aldrig motorn utan luftrenare (i förekommande fall) eller luftfilter (i förekommande fall).

MÄRK Använd inte tryckluft för att rengöra filtret. Tryckluft kan skada filtret och lösningsmedel löser upp filtret.

Se **Underhållstabell** beträffande service.

Filtersystemet innehåller ett pappersfilter med ett förfiltret som tillval. Förfiltret kan tvättas och återanvändas.

1. Ta bort fästet (fästena) (A, bild 10).
2. Ta bort kåpan (B, bild 10).
3. Skruva bort skruven (skruvarna) (C, bild 10) och hållaren (D).
4. Ta bort filtret (E, bild 10).
5. Ta bort förrenaren (F, bild 10), om sådan finns, från luftfiltret (E).
6. Lossa skräp genom att knacka luftfiltret (E, bild 10) lätt mot en hård yta. Är luftfiltret väldigt smutsigt ska det bytas mot ett nytt.
7. Tvätta förrenaren (F, bild 10), om sådan finns, i flytande tvättmedel och vatten. Låt förrenaren lufttorka helt. **Olja inte** in förrenaren.
8. Montera den torra förrenaren (F, bild 10), om sådan finns, på luftfiltret (E).
9. Montera luftfiltret (E, bild 10) och fäst med hållaren (D) och fästet (fästena) (C).
10. Montera kåpan (B, bild 10) och fäst med fästet (fästena) (A). Se till att fästet (fästena) sitter ordentligt fast.

Service av bränslesystem

Se figur: 11



Bränslet och dess ångor är extremt lättantändliga och explosiva.

Brand eller explosion kan orsaka svåra brännskador eller dödsfall.

- Ha inte gnistor, öppna lågor, indikationslampor, värme och andra antändningskällor i närheten av bränsle.
- Kontrollera att det inte finns sprickor eller läckor på bränsleledningar, tank, lock och kopplingar. Byt vid behov.
- Tappa ur tanken eller stäng bensinkranen innan du byter eller rengör bränslefiltret.
- Låt utspilt bränsle förångas innan du startar motorn.
- Utbytesdelar måste vara likadana och installeras i samma position som originaldelarna.

Bränslefilter, om sådant finns

1. Före byte av bränslefilter (A, figur 11) om sådant finns, ska bränsletanken dräneras eller bränslekranen stängas. Bränsle kan annars läcka ut och orsaka brand eller explosion.
2. Använd pincett för att trycka ihop flikarna (B, figur 11) på klämmorna (C), skjut sedan bort klämmorna från bränslefilter (A). Vrid och dra av bränsle slangarna (D) från bränslefilter.
3. Kontrollera att bränsleslangarna (D, figur 11) inte har sprickor eller läcker. Byt vid behov.
4. Ersätt bränslefilter (A, figur 11) med ett märkesfilter.
5. Säkra bränsleslangarna (D, figur 11) med klämmor (C) så som visas.

Service av kylsystem



Motorer som körs producerar värme. Motordelar, speciellt ljuddämparen, blir extremt varma.

Svåra brännskador kan inträffa vid beröring.

Brännbart skräp, som t.ex. löv, gräs, buskar, etc. kan börja brinna.

- Låt ljuddämpare, motorcylinder och kylflänsar svalna innan du rör dem.
- Ta bort skräp som samlats från området kring ljuddämparen och cylindern.

MÄRK Använd inte vatten för att rengöra motorn. Vatten kan förorena bränslesystemet. Använd en borste eller torr trasa för att göra rent motorn.

Detta är en luftkyld motor. Denna motor är luftkyld. Skräp och smuts kan hindra luftflödet och få motorn att överhettas, vilket ger sämre prestanda och förkortar livslängden.

1. Avlägsna skräp från luftintaget med en borste eller torr trasa.
2. Håll länkar, fjäder och reglage rena
3. Håll området runt och bakom ljuddämparen fria från antändbart skräp
4. Se till att kylflänsarna är fria från smuts och skräp.

Efter en tidsperiod kan skräp samlas i cylinderns kylflänsar och leda till en överhettning av motorn. Det här skräpet kan inte tas bort utan en delvis nedmontering av motorn. Se till att en godkänd försäljare av Briggs & Stratton kontrollerar och gör rent luftkylsystemet enligt instruktionerna i **Underhållningstabellen**.

Förvaring



Bränslet och dess ångor är mycket brandfarliga och kan explodera.

Brand eller explosion kan orsaka svåra brännskador eller dödsfall.

Vid förvaring av bränsle eller maskin med bränsle i tanken

- Förvara på avstånd från ugnar, brännare, vattenvärmare och andra apparater med språlågor eller andra tändkällor, då sådana kan antända bränsleångor.

Bränslesystem

Se figur: 12

Förvara maskinen horisontellt (normalt arbetsläge). Fyll bränsletanken (A, figur 12) med bränsle. För att bränslet ska kunna expandera får man inte fylla på mer än till nederkanten av bränsletankens hals (B).

Bränsle kan bli unket när det förvaras längre än 30 dagar. Gammalt bränsle leder till att syra- och gummiavlagringar bildas i bränslesystemet eller på viktiga delar i förgasaren. För att hålla bränslet färskt, använd **Briggs & Strattons Bränsletillsats och**

stabiliserare, som finns tillgängligt på alla platser som säljer originaldelar från Briggs & Stratton.

Det är inte nödvändigt att tappa ut bensin från motorn om en bränslestabilisator tillsätts enligt anvisningarna. Kör motorn under två (2) minuter för att cirkulera stabilisatorn genom bränslesystemet innan den ska förvaras.

Har inte bensinen i motorn behandlats med en bränslestabilisator, måste den tappas ut i en godkänd behållare. Kör motorn tills den stannar av brist på bränsle. Vi rekommenderar att man använder bränslestabilisator i förvaringsbehållaren för att bränslet ska förbli färskt.

Motorolja

Byt olja medan motorn fortfarande är varm. Se avsnittet *Byt motorolja*.

Felsökning

Vänd dig till närmaste återförsäljare eller gå till **VanguardEngines.com** eller ring **1-800-999-9333** (i USA) om du behöver hjälp.

Data

Modell: 611400, 613400, 61E400, 61G400	
Slagvolym	60.60 ci (993 cc)
Cylinderdiameter	3.366 in (85,5 mm)
Slaglängd	3.406 in (86,5 mm)
Oljevolym	78 - 80 oz (2,3 - 2,4 L)
Tändstiftsgap	.030 in (.76 mm)
Åtdragningsmoment, tändstift	180 lb-in (20 Nm)
Brytaravstånd - förgasarmodeller	.005 - .008 in (.13 - .20 mm)
Ventilspele, insug	.004 - .006 in (.10 - .15 mm)
Ventilspele, avgas	.007 - .009 in (.18 - .23 mm)

Motoreffekten minskar 3,5 % för varje 300 meter över havsytan och 1 % för varje 5,6 °C över 25 °C. Motorn arbetar tillfredsställande i upp till 15° vinkel. Se maskintillverkarens instruktionsbok beträffande säkra arbetsgränser på sluttningar.

Utbytesdelar - modell: 611400, 613400, 61E400, 61G400	
Utbytesdel	Artikelnummer
Pappersluftfilter, (bild 10)	692519
Förrenare (bild 10)	692520
Olja - SAE 30	100028
Oljefilter	842921
Bränsleadditiv och bränslestabiliserare	100117, 100120
Bränslefilter	845125
Avstört tändstift	491055
Platinatändstift med lång livslängd	5066
Tändstiftsnyckel	19374
Gnistprovare	19368

Vi rekommenderar att du tar kontakt med en auktoriserad Briggs & Stratton-verkstad för underhåll och reparation av motorn och dess delar.

Nominell effekt: Den nominella bruttoeffekten för enskilda bensiinmotorer märks i enlighet med SAE:s (Society of Automotive Engineers) kod J1940, rutin för effekt- och vridmomentklassning för små motorer, och klassas i enlighet med SAE J1995. Vridmomentvärden härleds vid 2 600 RPM för de motorer som har "rpm" angivet på märkningen och 3 060 RPM för alla andra. Hästkraftvärden härleds vid 3 600 RPM. Bruttoeffekt kurvorna kan ses på www.BRIGGSandSTRATTON.COM. Nettoeffektvärdena tas med avgas- och luftrenare installerade, medan däremot bruttoeffektvärdena samlas in utan dessa tillbehör. Motorernas verkliga bruttoeffekt blir högre än motorernas nettoeffekt och påverkas bl.a. av miljömässiga arbetsförhållanden och variationer i olika motorer. Med tanke på det breda utbudet produkter i vilka motorer monteras, är det inte säkert att bensiinmotorn utvecklar den klassificerade bruttoeffekten när den när den körs i en viss utrustning. Skillnaden beror på ett antal faktorer, bland annat, men inte begränsat till olika motordelar (luftrenare, avgassystem, laddning, kylning, förgasare, bensinpump osv.), begränsning i tillämpningen, miljömässiga körförhållanden (temperatur, luftfuktighet, höjd över havet) och variationer i olika motorer. På grund av tillverknings- och kapacitetsbegränsningar kan Briggs & Stratton byta till en motor med högre effekt för denna motorserie.

Garanti

Garanti för Briggs & Stratton-motorer

Gäller från Januari 2017

Begränsad garanti

Briggs & Stratton garanterar att man, under garantiperioden som specificeras härunder, utan kostnad kommer att reparera eller byta ut delar med materialfel och/eller tillverkningsfel. Köparen står själv för transportkostnaden för produkt som lämnats in för reparation eller utbyte. Garantin gäller under nedan angivna perioder och enligt nedan angivna villkor. För garantiservice, hitta närmaste auktoriserade serviceverkstad på vår karta över närmaste återförsäljare på BRIGGSandSTRATTON.com. Köparen måste kontakta den auktoriserade serviceverkstaden och sedan göra produkten tillgänglig för den auktoriserade serviceverkstaden för inspektion och test.

Det finns ingen annan uttrycklig garanti. Underförstådda garantier, inklusive för säljbarhet och lämplighet för ett visst ändamål, begränsas till nedan angiven garantiperiod eller till den omfattning som lagen tillåter. Ansvarsgaranti vid skador av påföljdstyp och tillfälliga skador exkluderas i den grad det är tillåtet enligt lag. Vissa länder eller delstater medger inte begränsning av hur länge en underförstådd garanti gäller och vissa tillåter inte undantagande eller begränsning av ansvaret för följdskador, så ovanstående gäller därför inte alla köpare. Denna garanti ger specifika legala rättigheter, men det kan även finnas andra rättigheter som varierar från land till land eller stat till stat.

Standardgarantivillkor 1, 2, 3

Märke/Produktnamn	Privatbruk	Kommersiell användning
Vanguard™; Commercial Series	36 månader	36 månader
Motorer med Dura-Bore™ gjutjärnsfoder	24 månader	12 månader
Alla andra motorer	24 månader	3 månader

¹ Dessa är våra standard garantivillkor men ibland kan ytterligare garantitäckning finnas som inte var fastställda vid publiceringen. För en lista över aktuella garantivillkor för din motor, gå till BRIGGSandSTRATTON.com eller kontakta din Briggs & Stratton godkända försäljare.

² Det finns ingen garanti för motorer på utrustningar som används för primäreffekt istället för anslutning till elnätet eller för reservgeneratorer för kommersiellt bruk. Motorer som används i tävlingsssyfte eller på tävlingsbanor täcks inte av garantin.

³ Vanguard installerade på reservgeneratorer: 24 månaders konsumentbruk, ingen garanti för kommersiellt bruk. Vanguard installerade på nyttofordon: 24 månaders konsumentbruk, 24 månader för kommersiellt bruk. Commercial Series med tillverkningsdatum innan juli 2017: 24 månaders konsumentbruk, 24 månaders kommersiellt bruk.

⁴ I Australien - Våra varor omfattas av garantier som inte kan fränkrivas enligt australiensisk konsumentlag. Du har rätt till en ersättning eller återbetalning vid ett betydande fel och till kompensation vid annan rimlig förturbar förlust eller skada. Du har även rätt till att få varorna reparerade eller utbyta om varorna inte är av acceptabel kvalitet och felet inte uppgår till ett betydande fel. För garantiservice, kontakta närmaste auktoriserade serviceverkstad på vår återförsäljarkarta på BRIGGSandSTRATTON.com, eller genom att ringa 1300 274 447, eller skicka e-post eller brev till salesenquires@briggsandstratton.com.au, Briggs & Stratton Australia Pty Ltd, 1 Moorebank Avenue, Moorebank, NSW, Australia, 2170.

Garanti perioden börjar inköpsdagen för privatkunder och företagskunder. Med "Privat bruk" avses personligt bruk i hemmet av privatperson. "Kommersiellt bruk" avser allt annat bruk, inklusive affärsrelaterat bruk, användning i näringsverksamhet eller uthyrning. En motor som en gång har använts kommersiellt, ska därefter alltid betraktas som kommersiell i samband med denna garanti.

Spara ditt inköpskvitto. Om inköpskvittot inte kan uppvisas vid yrkan på garanti reparation, kommer produktens tillverkningsdatum att användas för att bestämma garantiperioden. Produktregistrering krävs inte för att få garantiservice på Briggs & Strattons produkter.

Angående din garanti

Denna garanti täcker endast motorrelaterat defekt material och/eller utförande och täcker inte utbyte av eller ersättning för den maskin på vilken motorn kan vara monterad. Rutinunderhåll, trimningar, justeringar eller normalt slitage täcks inte av den här garantin. Garantin gäller likaledes inte om motorn har ändrats eller manipulerats eller om motorns serienummer har raderats eller tagits bort. Den här garantin täcker inte motorskador eller prestandaproblem som orsakas av:

- användning av delar som inte är Briggs & Stratton originaldelar,
- användning av motorn med otillräcklig, förorenad eller dålig kvalitet på smörjolja,
- användning av förorenat eller gammalt bränsle, diesel med en etanolhalt som överstiger 10 % eller användning av bränslen som motorgas eller naturgas på motorer som inte ursprungligen konstruerats/tillverkats av Briggs & Stratton för en funktion med sådana bränslen,

4. smuts som trängt in i motorn på grund av ett dåligt underhåll av luftfiltret eller dålig återmontering,
5. slag mot föremål med skärbladet på en roterande gräsklippare, lösa eller dåligt installerade bladadapttrar, pumphjul eller andra vevaxelkopplade enheter eller för hårt spänd V-rem,
6. tillbehör eller enheter som t.ex. kopplingar, växellådor, utrustningsreglage, osv., som inte levereras av Briggs & Stratton,
7. överhettning p.g.a klippt gräs, smuts och skräp eller gnagarnästen som täpper till kylflänsarna eller svänghjulets område eller när motorn används utan en tillräcklig ventilation,
8. för hög vibration på grund av en för hög hastighet, lös montering av motorn, lösa eller obalanserade skärblad eller pumphjul eller dålig koppling av utrustningens komponenter till vevaxeln,
9. felaktig användning, dåligt löpande underhåll, transport, hantering eller förvaring av utrustningen eller dålig installation av motorn.

Garantiservice tillhandahålls endast genom Briggs & Stratton auktoriserade verkstäder. Lokalisera din närmaste godkända försäljare på vår återförsäljarkarta på BRIGGSandSTRATTON.COM eller genom att ringa 1-800-233-3723 (i USA).

80004537 (Rev. C)

Not for
Reproduction