



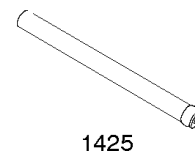
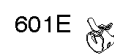
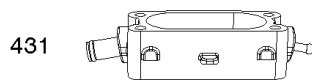
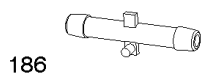
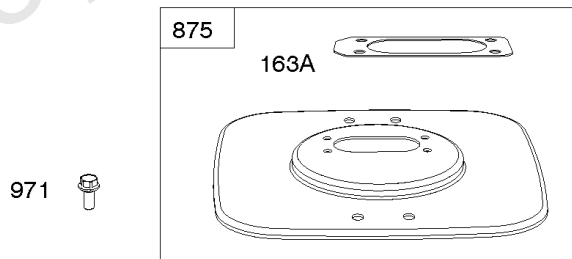
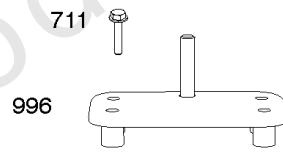
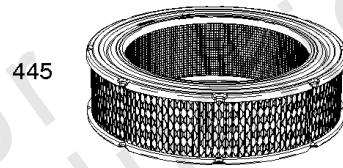
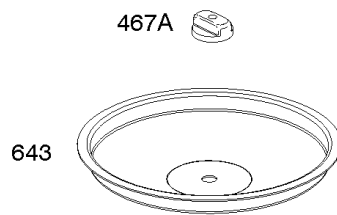
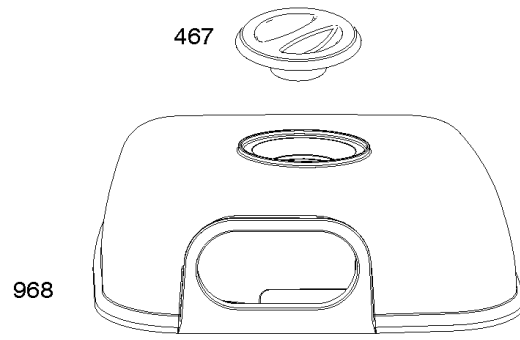
# Parts Manual

Mfg. No: 61E477-0002-J1



| <b>Model Components</b>                            | <b>Page</b> |
|--|-------------|
| Air Cleaner.....                                   | 4           |
| Blower Housing, Carburetor Covers, Oil Cooler..... | 6           |
| Crankcase Covers, Camshaft.....                    | 8           |
| Cylinder Heads, Rocker Arm Covers.....             | 10          |
| Cylinder, Crankshaft, Piston/Rings/Rod.....        | 12          |
| Engine Gasket Set, Valve Gasket Set.....           | 14          |
| Exhaust System.....                                | 16          |
| Flywheel, Flywheel Fan, Air Guides.....            | 18          |
| Intake Manifold, Throttle Body, Fuel System.....   | 20          |
| Regulator, Alternator, Wires, ECU.....             | 22          |
| Replacement Engine - US & Canada.....              | 24          |
| Wire Harness, Fuel Module, Brackets.....           | 25          |
| Model 54-61 Engine Accessories Catalog.....        | 27          |
| Maintenance Kits.....                              | 28          |
| Lubrication.....                                   | 30          |
| Oil Filter Side Outlet Mufflers.....               | 32          |
| Center Outlet Mufflers.....                        | 34          |
| Starter Side Outlet Mufflers.....                  | 36          |
| Muffler Bracket Kits.....                          | 38          |
| Speed Control.....                                 | 40          |
| Electrical.....                                    | 42          |
| Stub Shafts.....                                   | 44          |
| Spark Arrester/Deflector.....                      | 46          |
| Air Intake.....                                    | 48          |
| Guarding.....                                      | 50          |
| Electronic Throttle Kit.....                       | 52          |

Not For  
Reproduction



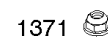
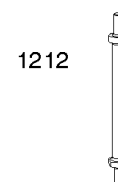
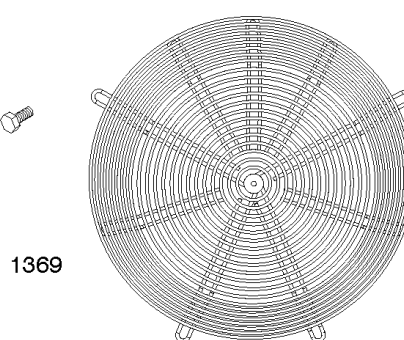
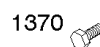
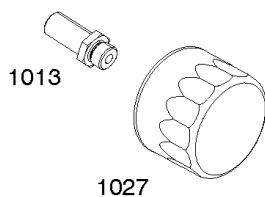
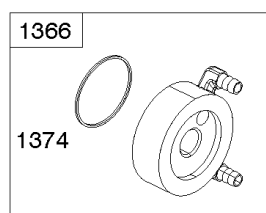
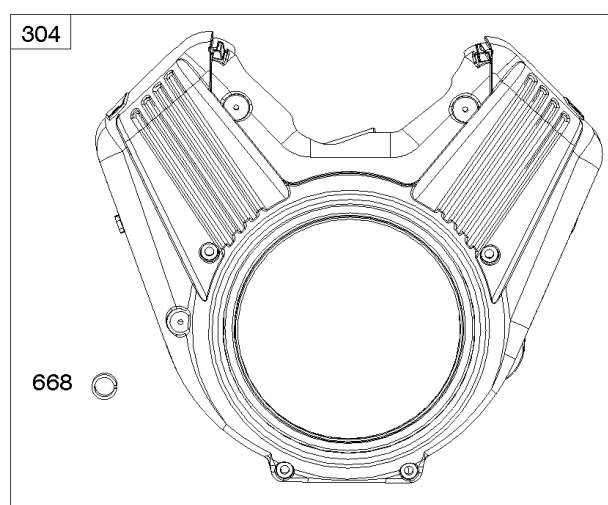
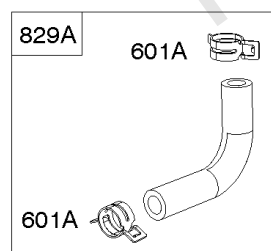
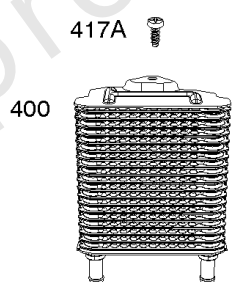
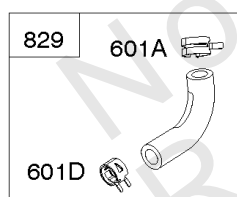
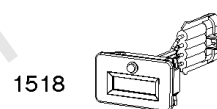
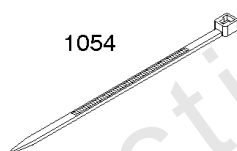
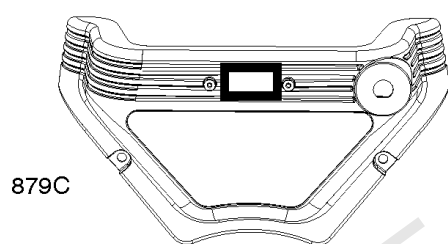
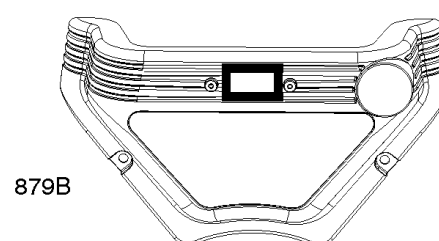
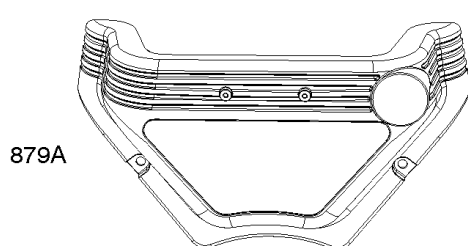
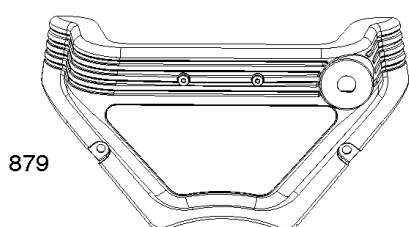
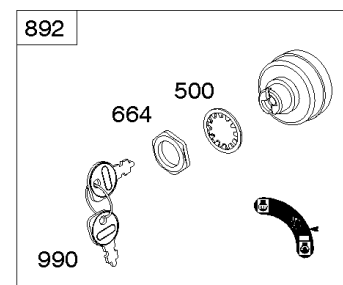
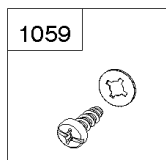
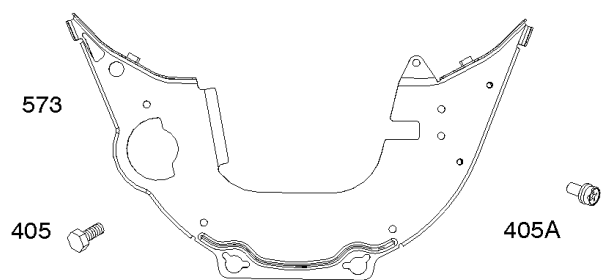
## Air Cleaner

| REF NO | PART NO | QTY | DESCRIPTION  |
|--------|---------|-----|--|
| 163A   | 843117  |     | GASKET, Air Cleaner                                      |
| 186    | 845121  |     | CONNECTOR, Hose  |
| 431    | 846507  |     | ELBOW, Intake  |
| 445    | 692519  |     | FILTER, A/C Cartridge                                    |
| 467    | 846008  |     | KNOB, Air Cleaner Cover                                  |
| 467A   | 846432  |     | KNOB, Air Cleaner Cover                                  |
| 601E   | 846483  |     | CLAMP, Hose<br>-(Purge Line Hose)                        |
| 643    | 844932  |     | RETAINER, Air Cleaner                                    |
| 711    | 806444  |     | SCREW<br>-(Carburetor Shield) (M6x68mm)                  |
| 875    | 843118  |     | BASE, Air Cleaner  |
| 968    | 846323  |     | COVER, Air Cleaner                                       |
| 971    | 692062  |     | SCREW<br>-(Air Cleaner Base to Carburetor/Throttle Body) |
| 996    | 846006  |     | SHIELD, Carburetor                                       |
| 1425   | 846514  |     | HOSE, Purge Line   |

Not For Reproduction

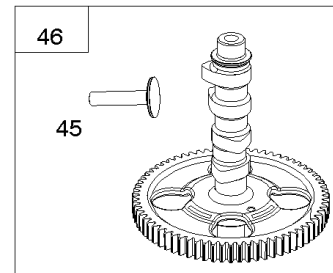
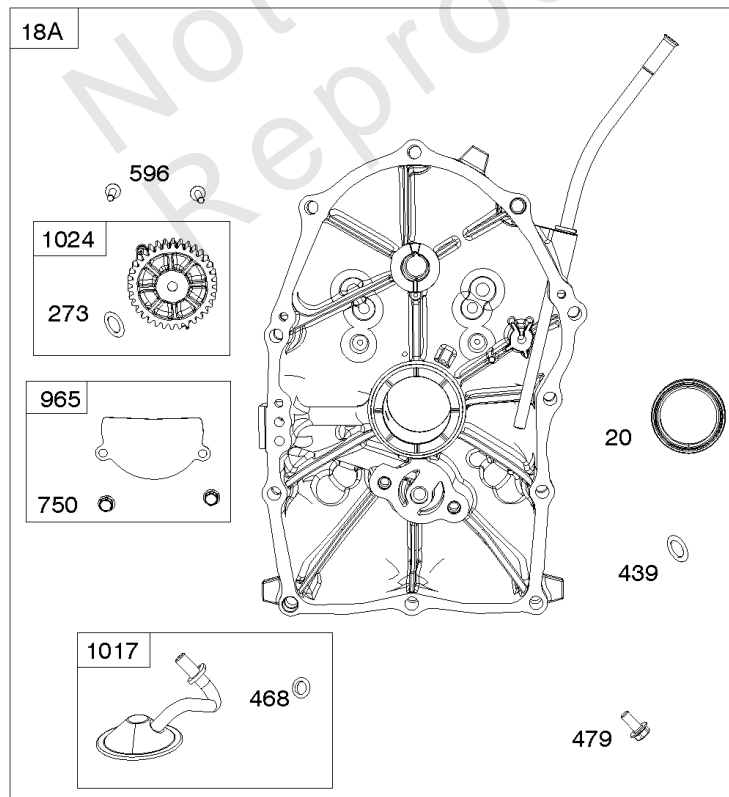
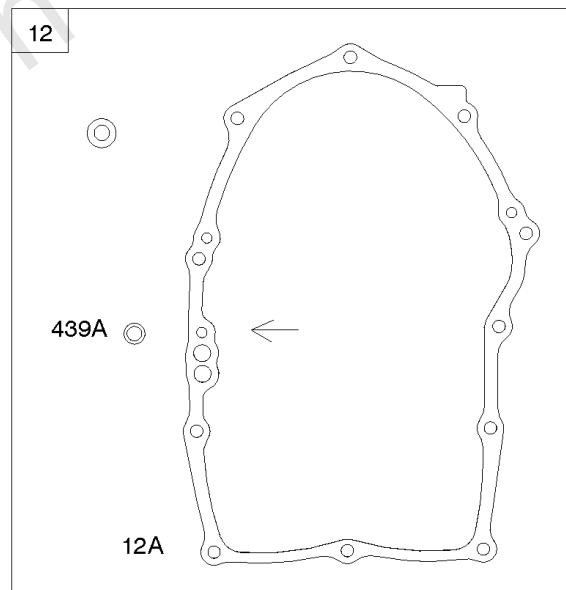
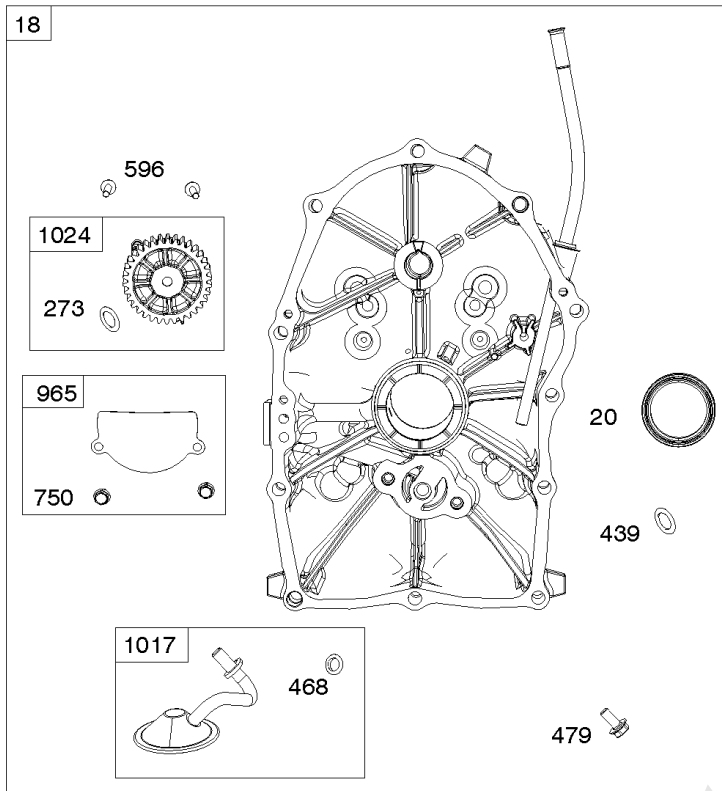
# Blower Housing, Carburetor Covers, Oil Cooler

Mfg. No: 61E477-0002-J1



## Blower Housing, Carburetor Covers, Oil Cooler

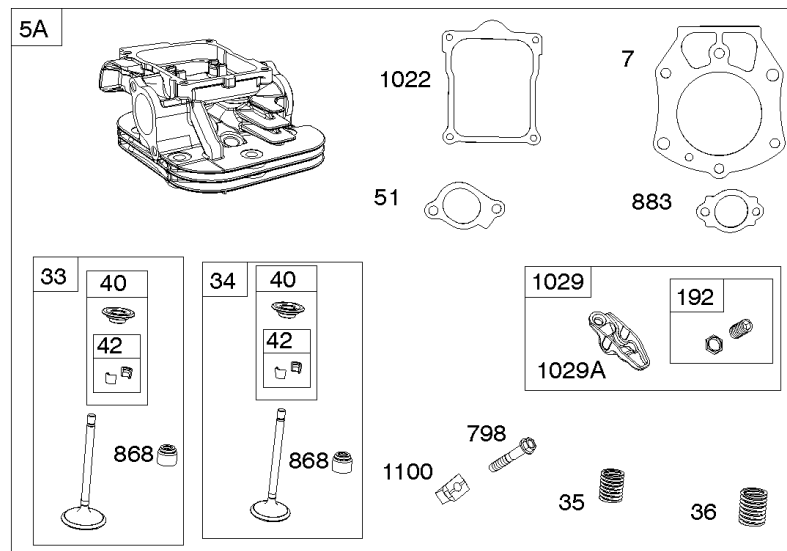
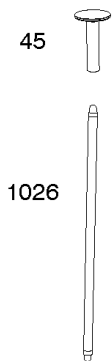
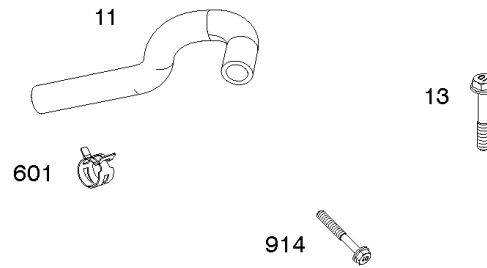
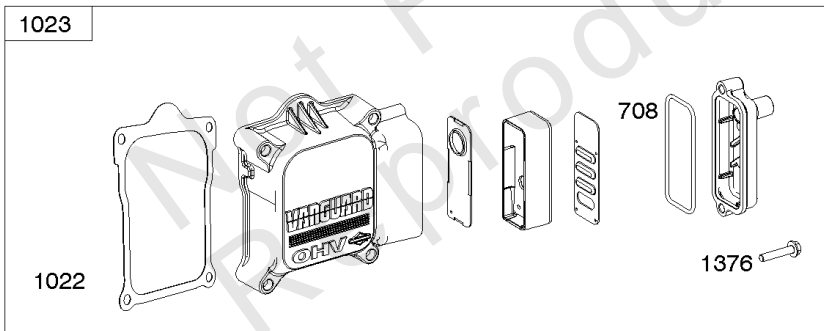
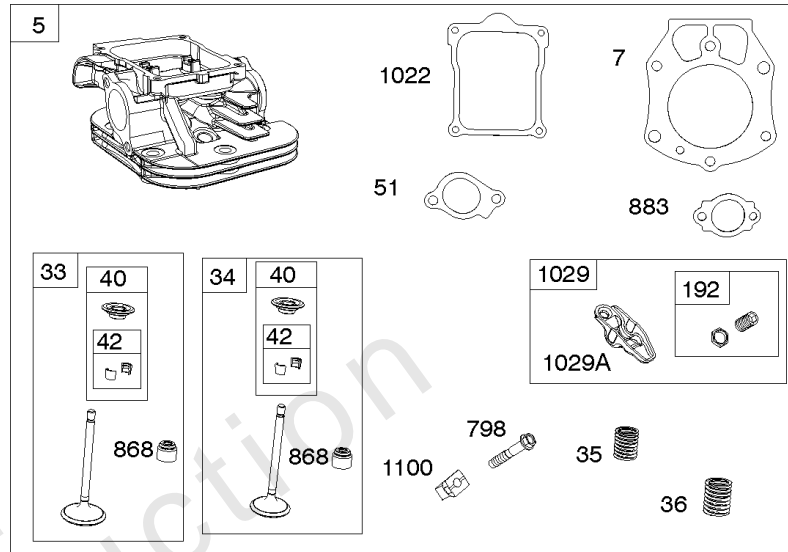
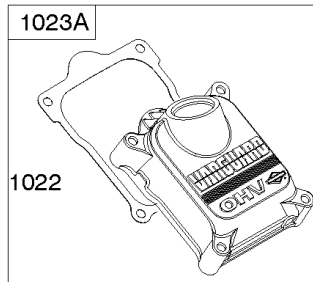
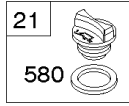
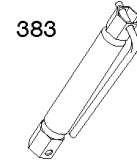
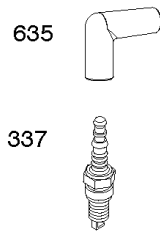
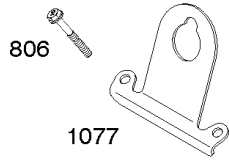
| REF NO | PART NO | QTY | DESCRIPTION                                    |
|--------|---------|-----|--|
| 304    | 846481  |     | HOUSING, Blower<br>-(Oil Cooler)               |
| 305    | 807435  |     | SCREW<br>-(Blower Housing) (M6x20mm)           |
| 400    | 846249  |     | COOLER, Oil                                    |
| 405    | 841233  |     | SCREW<br>-(Back Plate) (M6x10mm)               |
| 405A   | 841735  |     | SCREW<br>-(Back Plate) (M6x14mm)               |
| 417    | 841233  |     | SCREW<br>-(Oil Cooler) (M6x10mm)               |
| 417A   | 846250  |     | SCREW<br>-(Oil Cooler) (M6x16mm)               |
| 500    | 691086  |     | WASHER<br>-(Key Switch)                        |
| 573    | 846840  |     | PLATE, Back                                    |
| 601A   | 841597  |     | CLAMP, Hose<br>-(Oil Cooler Hose)              |
| 601D   | 845209  |     | CLAMP, Hose<br>-(Oil Cooler Hose)              |
| 664    | 691087  |     | NUT<br>-(Key Switch)                           |
| 668    | 841974  |     | SPACER<br>-(Blower Housing)                    |
| 829    | 846247  |     | HOSE, Oil Cooler                               |
| 829A   | 846248  |     | HOSE, Oil Cooler                               |
| 879A   | 846480  |     | COVER, Carburetor/EFI<br>-(Without Key Switch) |
| 892    | 692318  |     | SWITCH, Key<br>-(Includes Key Switch Label)    |
| 990    | 691959  |     | SET, Key                                       |
| 1013   | 841602  |     | NIPPLE, Oil Filter                             |
| 1027   | 842921  |     | FILTER, Oil                                    |
| 1054   | 280275  |     | TIE, Cable<br>-(Clear, Nylon)                  |
| 1059   | 845300  |     | KIT, Screw/Washer<br>-(Carburetor/EFI Cover)   |
| 1212   | 809958  |     | STUD<br>-(Blower Housing)                      |
| 1366   | 841510  |     | DIVERTER, Oil Cooler                           |
| 1369   | 842858  |     | GUARD, Flywheel Fan                            |
| 1370   | 841233  |     | SCREW<br>-(Flywheel Fan Guard)                 |
| 1371   | 841537  |     | NUT<br>-(Flywheel Fan Guard)                   |
| 1374   | 841506  |     | SEAL, O-Ring<br>-(Oil Cooler Diverter)         |





## ***Crankcase Covers, Camshaft***

| <b>REF NO</b> | <b>PART NO</b> | <b>QTY</b> | <b>DESCRIPTION</b>   |
|---------------|----------------|------------|--|
| 12            | 846037         |            | GASKET, Crankcase<br>-(Metal Core Gasket)                                      |
| 12A           | 843969         |            | GASKET, Crankcase<br>-(Metal Core Gasket)                                      |
| 18            | 846942         |            | COVER, Crankcase   |
| 20            | 841596         |            | SEAL, Oil<br>-(PTO Side)   |
| 22            | 807362         |            | SCREW<br>-(Crankcase Cover/Sump) (M8x50mm)                                     |
| 45            | 809785         |            | TAPPET, Valve  |
| 46            | 809879         |            | CAMSHAFT   |
| 273           | 690681         |            | SEAL, O-Ring<br>-(Oil Pump)  |
| 439           | 692154         |            | O-RING, Oil Gallery<br>-(Crankcase Cover/Sump or Cylinder Assembly) (Cylinder) |
| 439A          | 846027         |            | O-RING, Oil Gallery<br>-(Crankcase Cover/Sump or Cylinder Assembly)            |
| 468           | 690690         |            | SEAL, O-Ring<br>-(Oil Pump Screen)   |
| 479           | 807084         |            | SCREW<br>-(Oil Pump Screen)  |
| 523           | 841007         |            | DIPSTICK   |
| 596           | 691492         |            | SCREW<br>-(Oil Pump)   |
| 750           | 841233         |            | SCREW<br>-(Oil Pump Cover)   |
| 965           | 809422         |            | COVER, Oil Pump  |
| 1017          | 809421         |            | SCREEN, Oil Pump   |
| 1024          | 845983         |            | PUMP, Oil  |

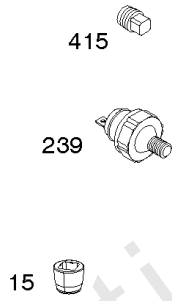
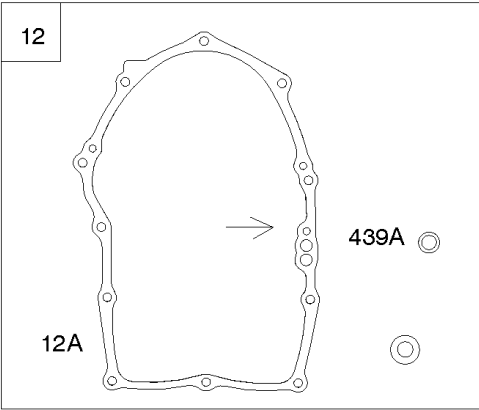
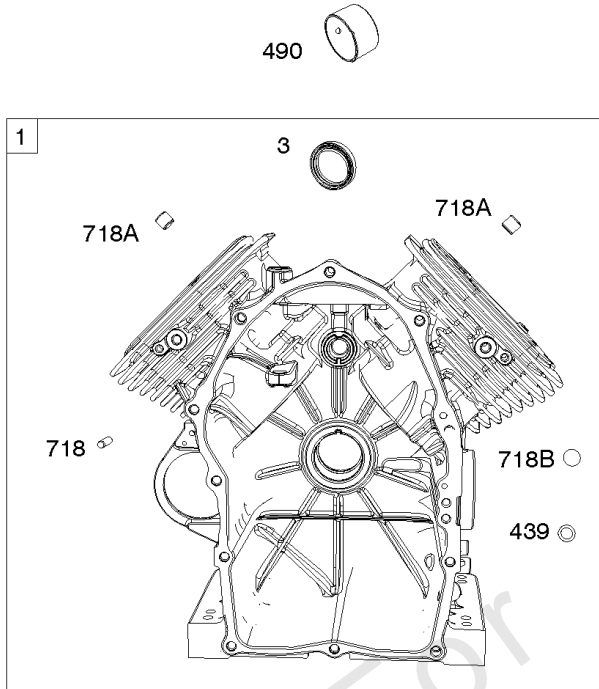


## Cylinder Heads, Rocker Arm Covers

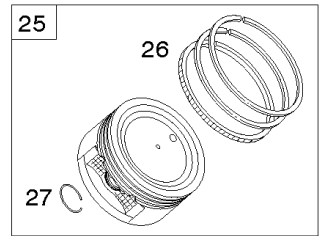
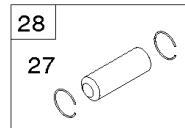
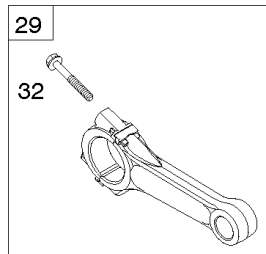
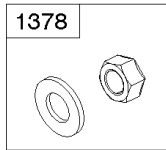
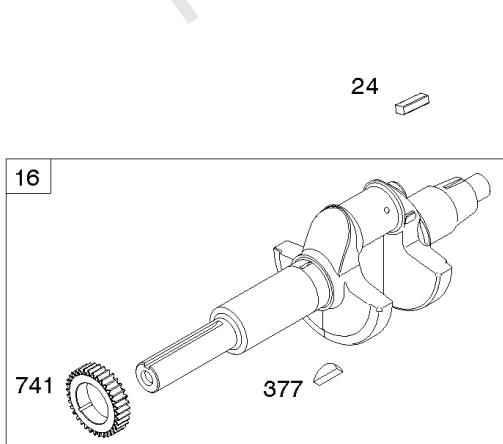
| REF NO | PART NO  | QTY | DESCRIPTION                                  |
|--------|----------|-----|--|
| 5      | 846463   |     | HEAD, Cylinder<br>-(Cylinder 1)              |
| 5A     | 846464   |     | HEAD, Cylinder<br>-(Cylinder 2)              |
| 7      | 809730   |     | GASKET, Cylinder Head                        |
| 11     | 846502   |     | TUBE, Breather<br>-(Formed Hose)             |
| 13     | 809784   |     | SCREW<br>-(Cylinder Head) (M9x70mm)          |
| 21     | 843464   |     | CAP, Oil Fill                                |
| 33     | 844787   |     | VALVE, Exhaust                               |
| 34     | 846469   |     | VALVE, Intake                                |
| 35     | 845589   |     | SPRING, Valve<br>-(Intake) (Intake) (Pink)   |
| 36     | 845589   |     | SPRING, Valve<br>-(Exhaust) (Exhaust) (Pink) |
| 40     | 844788   |     | RETAINER, Valve                              |
| 42     | 807683   |     | KEEPER, Valve                                |
| 45     | 809785   |     | TAPPET, Valve                                |
| 51     | 841592   |     | GASKET, Intake<br>-(Intake Manifold)         |
| 192    | 690083   |     | ADJUSTER, Rocker Arm                         |
| 337    | 491055S  |     | PLUG, Spark                                  |
| 337    | 84007216 |     | PLUG, SPARK<br>-(China Only)                 |
| 383    | 19576S   |     | WRENCH, Spark Plug                           |
| 580    | 809894   |     | SEAL, O-Ring<br>-(Oil Fill Cap)              |
| 601    | 844405   |     | CLAMP, Hose<br>-(Breather Tube)              |
| 635    | 692076   |     | BOOT, Spark Plug                             |
| 708    | 841301   |     | SEAL, O-Ring<br>-(Breather Reed)             |
| 798    | 691492   |     | SCREW<br>-(Rocker Arm)                       |
| 806    | 807357   |     | SCREW<br>-(Lifting Bracket)                  |
| 868    | 691963   |     | SEAL, Valve                                  |
| 883    | 809872   |     | GASKET, Exhaust                              |
| 914    | 807357   |     | SCREW<br>-(Rocker Cover)                     |
| 1022   | 809732   |     | GASKET, Rocker Cover                         |
| 1023   | 809789   |     | COVER, Rocker<br>-(Cylinder #2)              |
| 1023A  | 809731   |     | COVER, Rocker<br>-(Cylinder #1)              |
| 1026   | 809783   |     | ROD, Push<br>-(Intake and Exhaust)           |
| 1029   | 690972   |     | ARM, Rocker                                  |
| 1029A  | 807323   |     | ARM, Rocker                                  |
| 1077   | 809729   |     | BRACKET, Lifting                             |
| 1100   | 791959   |     | PIVOT, Rocker Arm                            |
| 1376   | 806421   |     | SCREW<br>-(Breather Reed Cover)              |

1036

1330

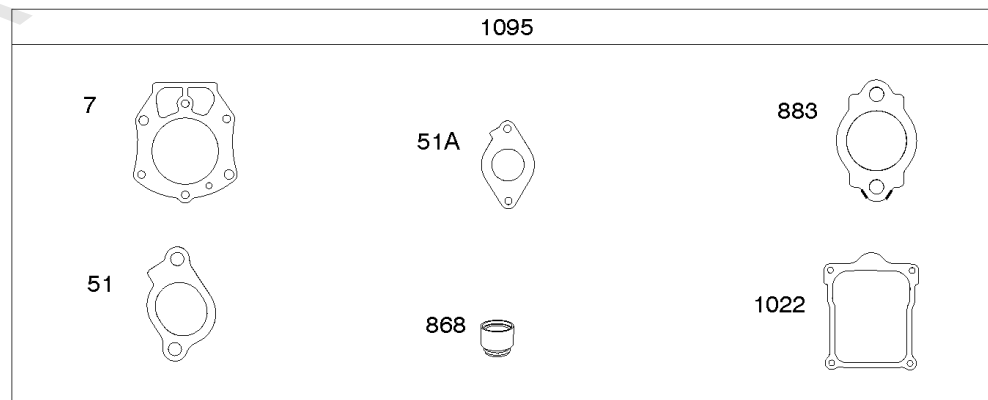
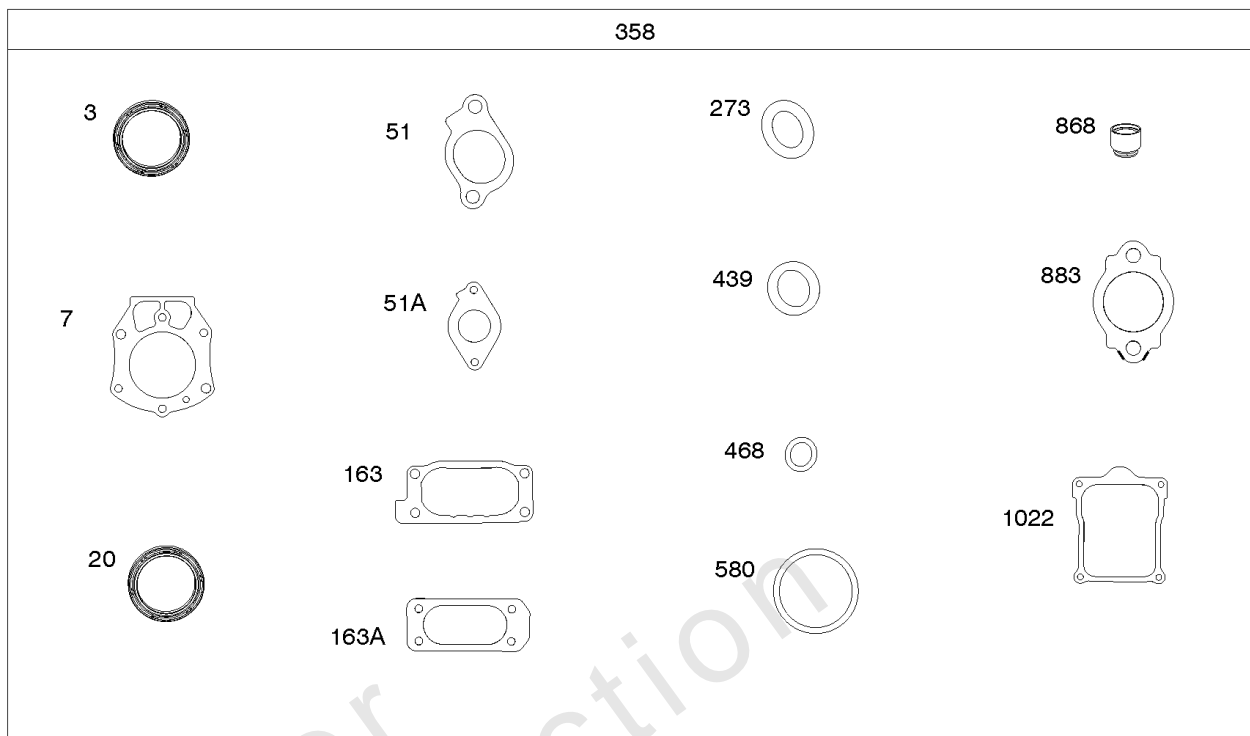


Not For  
Reproduction



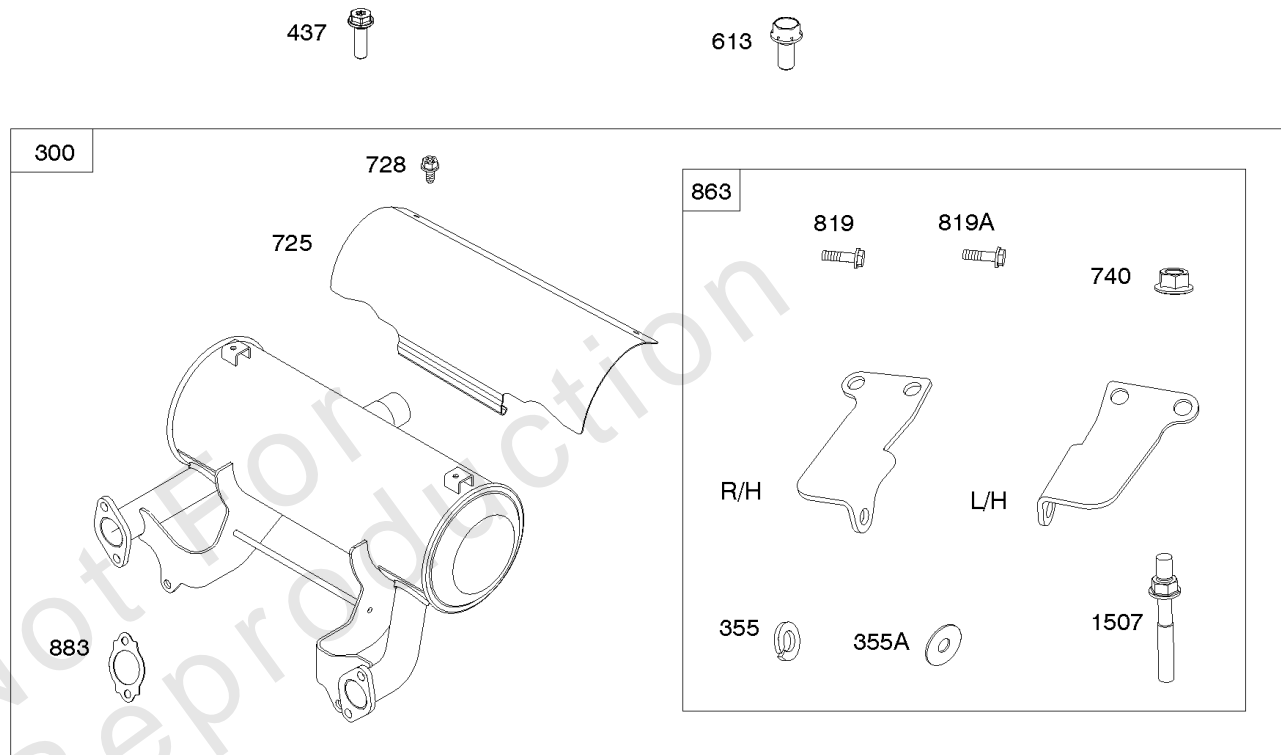
## Cylinder, Crankshaft, Piston/Rings/Rod

| REF NO | PART NO | QTY | DESCRIPTION  |
|--------|---------|-----|--|
| 1      | 846429  |     | CYLINDER ASSEMBLY  |
| 3      | 841596  |     | SEAL, Oil<br>-(Magneto Side)   |
| 12     | 846037  |     | GASKET, Crankcase<br>-(Metal Core Gasket)                                      |
| 12A    | 843969  |     | GASKET, Crankcase<br>-(Metal Core Gasket)                                      |
| 15     | 691680  |     | PLUG, Oil Drain  |
| 16     | 841839  |     | CRANKSHAFT   |
| 24     | 796335  |     | KEY, Flywheel<br>-(Steel)  |
| 25     | 842939  |     | PISTON ASSEMBLY<br>-(.020 Oversize)  |
| 25     | 841837  |     | PISTON ASSEMBLY<br>-(Standard)   |
| 26     | 841932  |     | SET, Ring<br>-(.020 Oversize)  |
| 26     | 809972  |     | SET, Ring<br>-(Standard)   |
| 27     | 807351  |     | LOCK, Piston Pin   |
| 28     | 807361  |     | PIN, Piston  |
| 29     | 841838  |     | ROD, Connecting  |
| 32     | 807363  |     | SCREW<br>-(Connecting Rod)   |
| 239    | 841281  |     | SWITCH, Oil Pressure   |
| 377    | 691639  |     | KEY, Woodruff  |
| 415    | 794903  |     | PLUG<br>-(Oil Pressure Switch)   |
| 439    | 692154  |     | O-RING, Oil Gallery<br>-(Crankcase Cover/Sump or Cylinder Assembly) (Cylinder) |
| 439A   | 846027  |     | O-RING, Oil Gallery<br>-(Crankcase Cover/Sump or Cylinder Assembly)            |
| 490    | 843433  |     | BEARING, Magneto Side  |
| 718    | 690959  |     | PIN, Locating<br>-(Cylinder)   |
| 718A   | 809508  |     | PIN, Locating<br>-(Cylinder Head)  |
| 718B   | 845925  |     | PIN, Locating<br>-(Cylinder)   |
| 741    | 809432  |     | GEAR, Timing   |
| 1036   | -----   |     | Label-Emissions<br>-(Available From A Briggs & Stratton Authorized Dealer)     |
| 1330   | -----   |     | Repair Manual<br>-(Not Available At This Printing)                             |
| 1378   | 844795  |     | SET, Washer/Nut<br>-(Flywheel)   |



## Engine Gasket Set, Valve Gasket Set

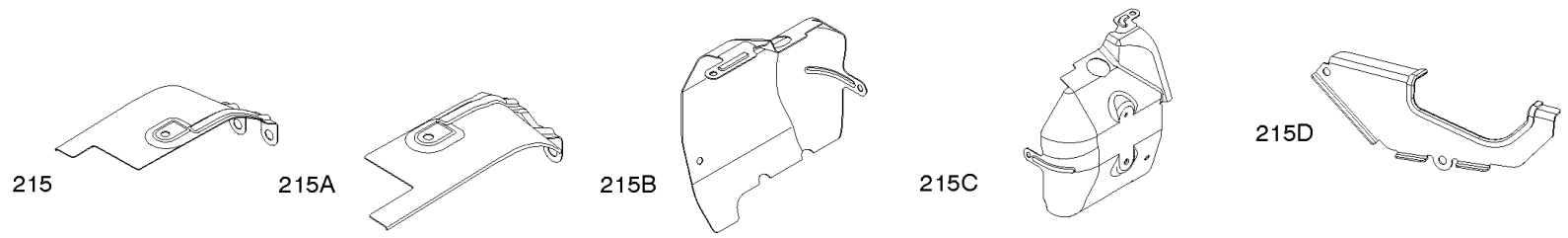
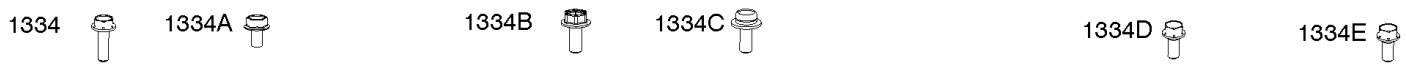
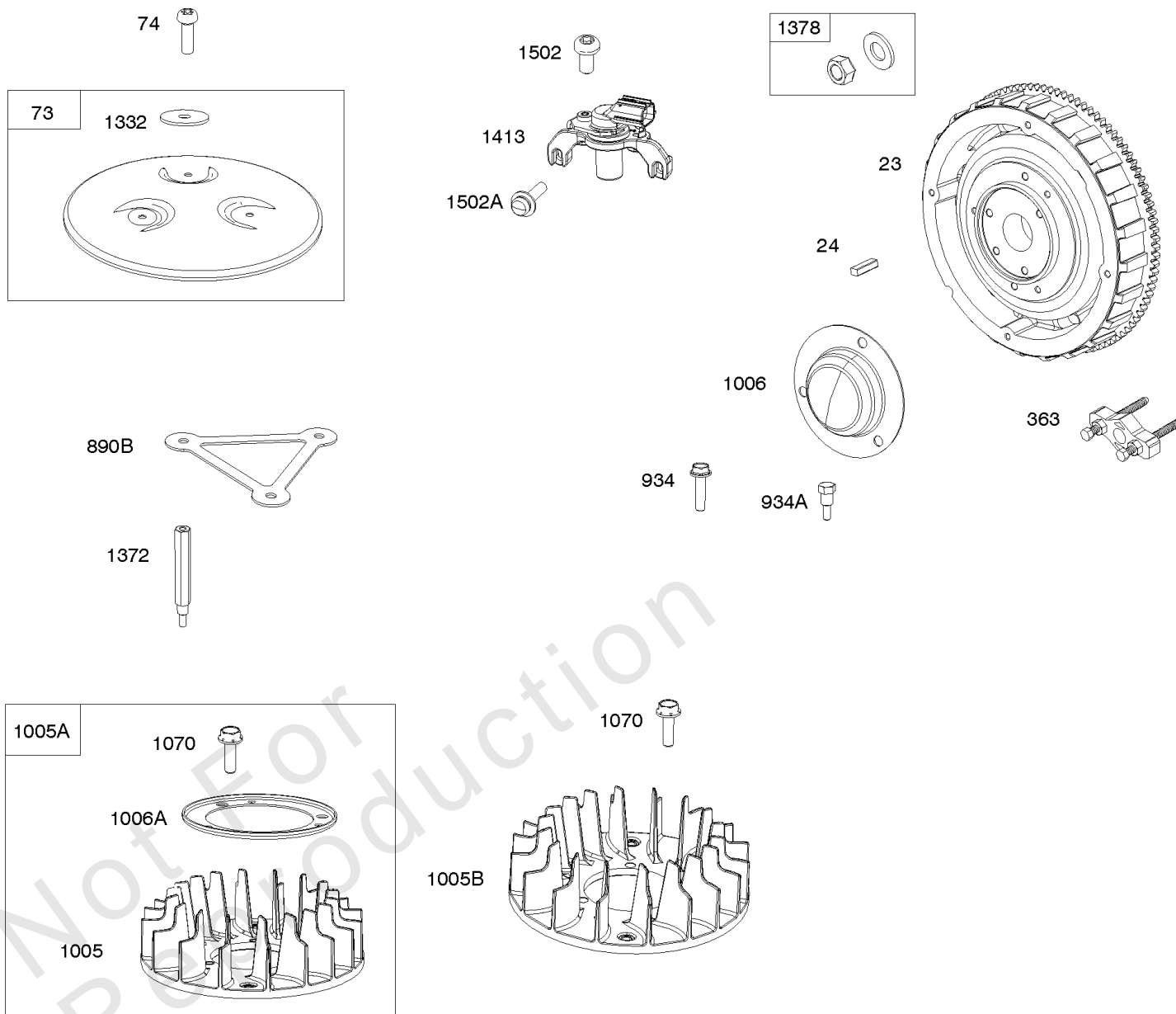
| REF NO | PART NO | QTY | DESCRIPTION  |
|--------|---------|-----|--|
| 3      | 841596  |     | SEAL, Oil<br>-(Magneto Side)   |
| 7      | 809730  |     | GASKET, Cylinder Head  |
| 20     | 841596  |     | SEAL, Oil<br>-(PTO Side)   |
| 51     | 841592  |     | GASKET, Intake<br>-(Intake Manifold)   |
| 51A    | 846473  |     | GASKET, Intake<br>-(Intake Manifold/Throttle Body)                             |
| 163    | 807375  |     | GASKET, Air Cleaner  |
| 163A   | 843117  |     | GASKET, Air Cleaner  |
| 273    | 690681  |     | SEAL, O-Ring<br>-(Oil Pump)  |
| 358    | 846671  |     | GASKET SET, Engine   |
| 439    | 692154  |     | O-RING, Oil Gallery<br>-(Crankcase Cover/Sump or Cylinder Assembly) (Cylinder) |
| 468    | 690690  |     | SEAL, O-Ring<br>-(Oil Pump Screen)   |
| 580    | 809894  |     | SEAL, O-Ring<br>-(Oil Fill Cap)  |
| 868    | 691963  |     | SEAL, Valve  |
| 883    | 809872  |     | GASKET, Exhaust  |
| 1022   | 809732  |     | GASKET, Rocker Cover   |
| 1095   | 846672  |     | GASKET SET, Valve  |





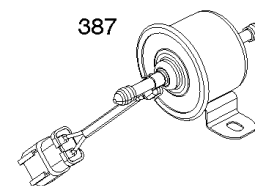
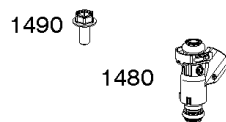
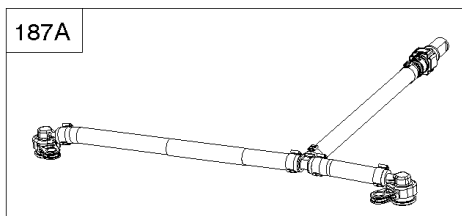
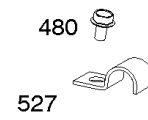
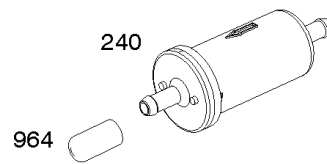
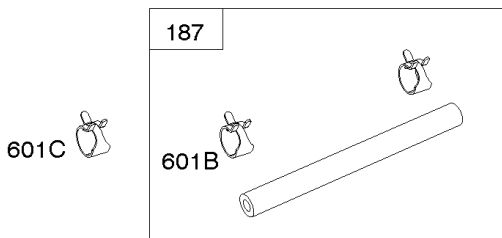
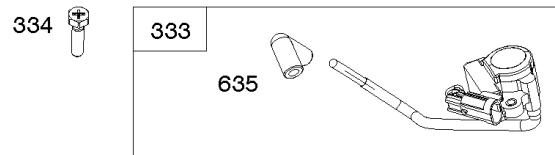
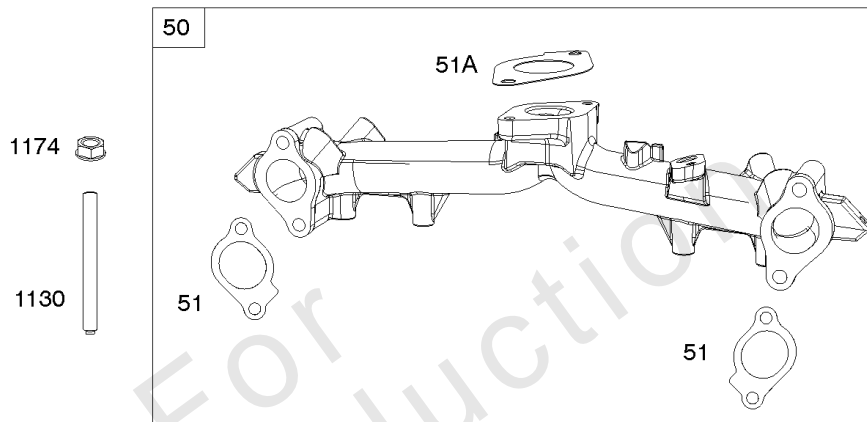
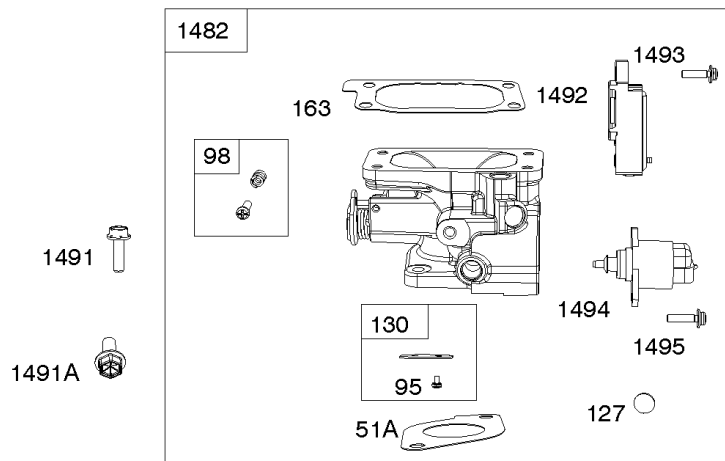
## Exhaust System

| REF NO | PART NO | QTY | DESCRIPTION                                |
|--------|---------|-----|--|
| 300    | 846444  |     | MUFFLER                                    |
| 355    | 844035  |     | WASHER<br>-(Muffler Bracket) (Flat Washer) |
| 355A   | 691075  |     | WASHER<br>-(Muffler Bracket) (Lockwasher)  |
| 437    | 846149  |     | SCREW<br>-(Exhaust Manifold) (M8x25mm)     |
| 613    | 692062  |     | SCREW<br>-(Muffler) (M8x18mm)              |
| 725    | 841132  |     | SHIELD, Heat                               |
| 728    | 692067  |     | SCREW<br>-(Heat Shield) (M6x12mm)          |
| 740    | 690941  |     | NUT<br>-(Muffler Bracket)                  |
| 819    | 692062  |     | SCREW<br>-(Muffler Bracket) (M8x18mm)      |
| 819A   | 807362  |     | SCREW<br>-(Muffler Bracket) (M8x50mm)      |
| 863    | 843487  |     | BRACKET, Muffler                           |
| 883    | 809872  |     | GASKET, Exhaust                            |
| 1507   | 846324  |     | STUD<br>-(Muffler Bracket)                 |



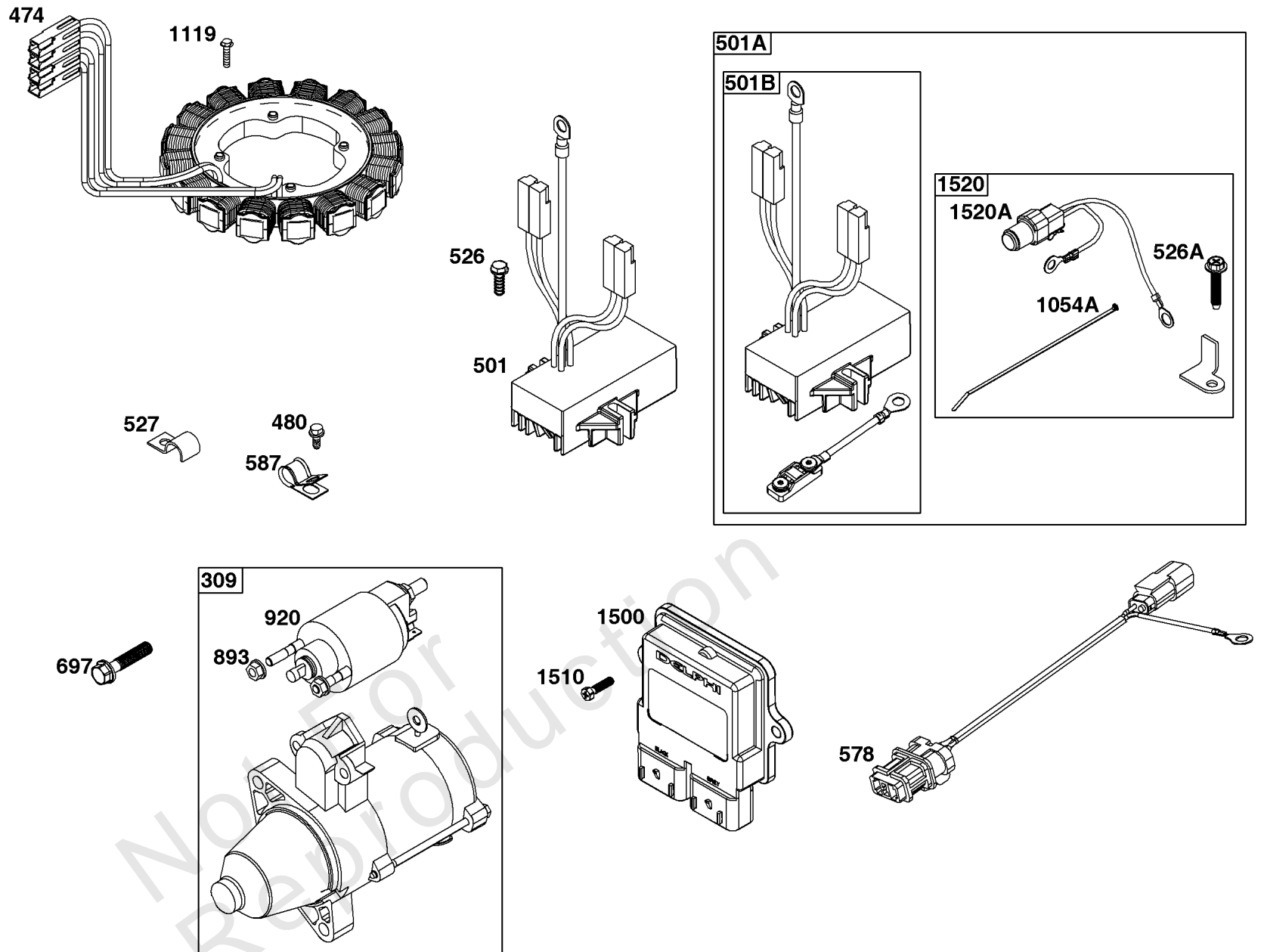
## Flywheel, Flywheel Fan, Air Guides

| REF NO | PART NO | QTY | DESCRIPTION   |
|--------|---------|-----|---|
| 23     | 846461  |     | FLYWHEEL  |
| 24     | 796335  |     | KEY, Flywheel<br>-(Steel)   |
| 215    | 846455  |     | GUIDE, Air<br>-(Cylinder #1)  |
| 215A   | 846456  |     | GUIDE, Air<br>-(Cylinder #2)  |
| 215B   | 809897  |     | GUIDE, Air<br>-(Cylinder #2)  |
| 215D   | 846458  |     | GUIDE, Air<br>-(Valley)   |
| 215C   | 809738  |     | GUIDE, Air<br>-(Cylinder #1)  |
| 363    | 19203   |     | PULLER, Flywheel  |
| 934    | 807421  |     | SCREW<br>-(Fan Retainer) (M6x25mm)<br>-Used After Code Date 15080600  |
| 934A   | 841205  |     | SCREW<br>-(Fan Retainer) (M6x24mm)<br>-Used Before Code Date 15080700 |
| 1005   | 846995  |     | FAN, Flywheel<br>-Used After Code Date 15080600                       |
| 1005A  | 847199  |     | FAN, Flywheel<br>-Used Before Code Date 15080700                      |
| 1006   | 846495  |     | RETAINER, Fan<br>-Used After Code Date 14093000                       |
| 1006A  | 847198  |     | RETAINER, Fan<br>-Used Before Code Date 14100100                      |
| 1070   | 807435  |     | SCREW<br>-(Flywheel Fan) (M6x20mm)                                    |
| 1332   | 809948  |     | WASHER<br>-(Rotating Screen)  |
| 1334   | 807435  |     | SCREW<br>-(Air Guide) (M6x20mm)                                       |
| 1334A  | 841233  |     | SCREW<br>-(Air Guide) (M6x10mm)                                       |
| 1334C  | 690677  |     | SCREW<br>-(Air Guide) (M4x12mm)                                       |
| 1334E  | 692056  |     | SCREW<br>-(Air Guide) (M8x14mm)                                       |
| 1334D  | 692062  |     | SCREW<br>-(Air Guide) (M8x18mm)                                       |
| 1334B  | 807084  |     | SCREW<br>-(Air Guide) (M6x14mm)                                       |
| 1372   | 809946  |     | STUD<br>-(Rotating Screen)  |
| 1378   | 844795  |     | SET, Washer/Nut<br>-(Flywheel)  |
| 1413   | 846457  |     | SENSOR, Speed   |
| 1502   | 846459  |     | SCREW<br>-(Speed Sensor) (M5x10mm)                                    |
| 1502A  | 846868  |     | SCREW<br>-(Speed Sensor) (M4x18mm)                                    |



## Intake Manifold, Throttle Body, Fuel System

| REF NO | PART NO  | QTY | DESCRIPTION   |
|--------|----------|-----|---|
| 50     | 846503   |     | MANIFOLD, Intake  |
| 51     | 841592   |     | GASKET, Intake<br>-(Intake Manifold)                    |
| 51A    | 846473   |     | GASKET, Intake<br>-(Intake Manifold/Throttle Body)      |
| 95     | 593897   |     | SCREW<br>-(Throttle Valve)                              |
| 98     | 846477   |     | KIT, Idle Speed   |
| 127    | 691742   |     | PLUG, Welch   |
| 130    | 846476   |     | VALVE, Throttle   |
| 163    | 807375   |     | GASKET, Air Cleaner                                     |
| 187    | 791766   |     | LINE, Fuel<br>-(15 Inches Long)(Cut to Required Length) |
| 187    | 791745   |     | LINE, Fuel<br>-(23 Inches )(Cut To Required Length)     |
| 187A   | 846475   |     | LINE, Fuel  |
| 240    | 845125   |     | FILTER, Fuel  |
| 333    | 84005190 |     | ARMATURE, Magneto                                       |
| 334    | 841552   |     | SCREW<br>-(Magneto Armature) (M5x20mm)                  |
| 387    | 846470   |     | PUMP, Fuel  |
| 480    | 841233   |     | SCREW<br>-(Tube Clamp) (M6x10mm)                        |
| 527    | 690423   |     | CLAMP, Tube   |
| 601B   | 791850   |     | CLAMP, Hose<br>-(Green)                                 |
| 601C   | 691038   |     | CLAMP, Hose<br>-(Black)                                 |
| 635    | 692076   |     | BOOT, Spark Plug  |
| 964    | 590799   |     | CAP, Connector  |
| 1130   | 841590   |     | STUD<br>-(Intake Manifold)                              |
| 1174   | 842067   |     | NUT<br>-(Intake Manifold)                               |
| 1480   | 593852   |     | INJECTOR, Fuel  |
| 1482   | 846474   |     | BODY, Throttle  |
| 1486   | 593905   |     | SENSOR, Temperature/Manifold Absolute Pressure (MAP)    |
| 1489   | 807435   |     | SCREW<br>-(TEMP/MAP Sensor) (Intake Manifold)           |
| 1490   | 807084   |     | SCREW<br>-(Fuel Injector)                               |
| 1491   | 807435   |     | SCREW<br>-(Throttle Body) (M6x20mm)                     |
| 1491A  | 807084   |     | SCREW<br>-(Throttle Body) (M6x14mm)                     |
| 1492   | 846478   |     | SENSOR, Throttle  |
| 1493   | 847169   |     | SCREW<br>-(Throttle Sensor)                             |
| 1494   | 846479   |     | VALVE, Idle Air   |
| 1495   | 847169   |     | SCREW<br>-(Idle Air Valve)                              |



## Regulator, Alternator, Wires, ECU

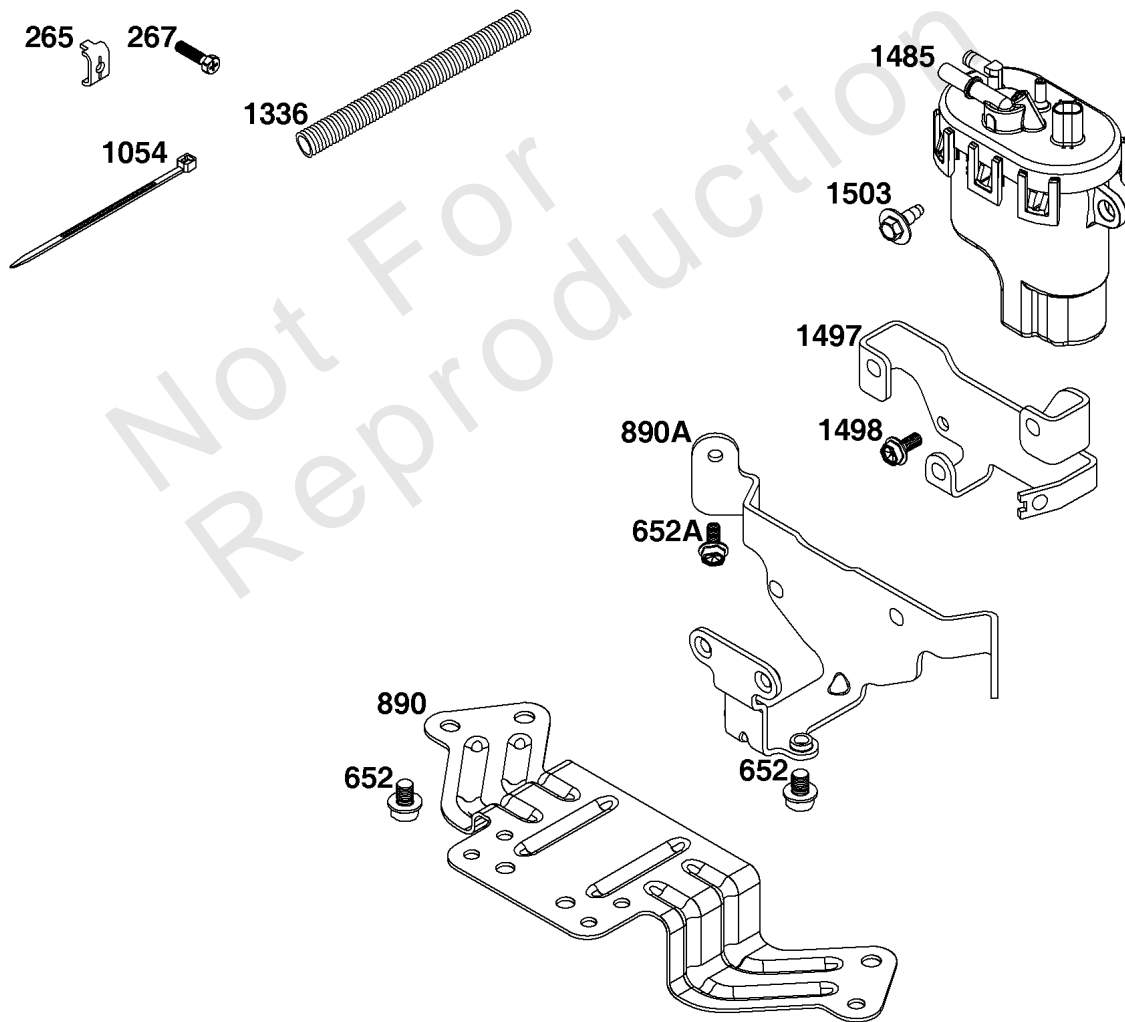
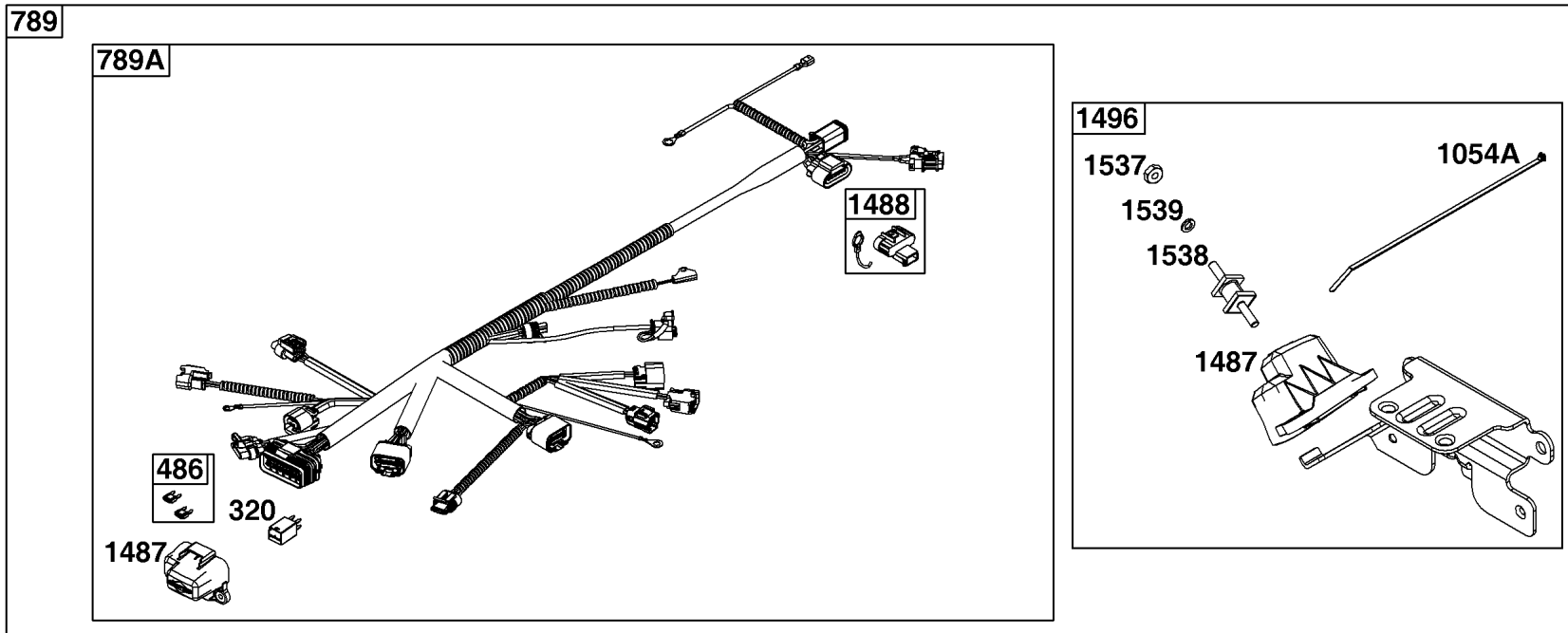
| REF NO | PART NO | QTY | DESCRIPTION  |
|--------|---------|-----|--|
| 309    | 845760  |     | MOTOR, Starter   |
| 474    | 841178  |     | ALTERNATOR   |
| 480    | 841233  |     | SCREW<br>-(Tube Clamp) (M6x10mm)   |
| 501    | 848220  |     | REGULATOR<br>-Used Before Code Date 17060100                                   |
| 501A   | 848221  |     | REGULATOR<br>-Used After Code Date 17053100<br>-Used Before Code Date 18021200 |
| 501B   | 848187  |     | REGULATOR<br>-Used After Code Date 18021100                                    |
| 526    | 847149  |     | SCREW<br>-(Regulator) (M6x32mm)<br>-Used After Code Date 16022900              |
| 526A   | 690717  |     | SCREW<br>-(Regulator) (M6x30mm)<br>-Used Before Code Date 16030100             |
| 527    | 690423  |     | CLAMP, Tube  |
| 578    | 846423  |     | WIRE ASSEMBLY  |
| 587    | 807116  |     | CLAMP, Tube  |
| 697    | 690711  |     | SCREW<br>-(Starter Motor) (Drive Cap) (M8x38mm)                                |
| 893    | 845758  |     | NUT<br>-(Starter Solenoid)   |
| 920    | 846737  |     | SOLENOID, Starter  |
| 1054A  | 861206  |     | TIE, Cable<br>-(Black, Nylon)  |
| 1119   | 691552  |     | SCREW<br>-(Alternator)   |
| 1500   | 846484  |     | MODULE, Electronic Control<br>-(Not Programmed) (Not Programmed)               |
| 1510   | 841552  |     | SCREW<br>-(Electronic Control Module) (M5x20mm)                                |
| 1520   | 847148  |     | CAPACITOR  |
| 1520A  | 847147  |     | CAPACITOR  |

## Replacement Engine - US & Canada

| REF NO | PART NO    | QTY | DESCRIPTION   |
|--------|------------|-----|---|
|        | 61E4770007 | 1   | Replacement Engine  |
|        | 791244     | 1   | Replacement Short Block   |
|        | -----      |     | Top No-Load Speed: 4750<br>-Trim: ALL                                   |
|        | -----      |     | Service Note: P/N 848080 Governor Stop required when using Short Block. |

Not For Reproduction





## Wire Harness, Fuel Module, Brackets

| REF NO | PART NO | QTY | DESCRIPTION  |
|--------|---------|-----|--|
| 265    | 691024  |     | CLAMP, Casing<br>-(Control Bracket)                  |
| 267    | 841552  |     | SCREW<br>-(Casing Clamp) (M5x20mm)                   |
| 320    | 593902  |     | RELAY(S)<br>-(Wire Harness)                          |
| 486    | 593901  |     | FUSE   |
| 652    | 845964  |     | SCREW<br>-(Support Bracket) (M6x10mm)                |
| 652A   | 807084  |     | SCREW<br>-(Support Bracket) (M6x14mm)                |
| 789    | 847336  |     | HARNESS, Wiring<br>-Before Code Date 16080100        |
| 789A   | 846867  |     | HARNESS, Wiring<br>-After Code Date 16073100         |
| 890    | 846493  |     | BRACKET, Support<br>-(Fuel Module Heat Shield)       |
| 890A   | 846506  |     | BRACKET, Support<br>-(Fuel Module)                   |
| 1054   | 280275  |     | TIE, Cable<br>-(Clear, Nylon)                        |
| 1054A  | 861206  |     | TIE, Cable<br>-(Black, Nylon)                        |
| 1336   | 841015  |     | SHIELD, Wire Protective<br>-(Cut To Required Length) |
| 1485   | 593890  |     | MODULE, Fuel   |
| 1487   | 847334  |     | COVER, Fuse  |
| 1488   | 593899  |     | COVER, Diagnostic                                    |
| 1496   | 847337  |     | COVER, Fuse Kit                                      |
| 1497   | 846505  |     | BRACKET, Fuel Module                                 |
| 1498   | 807084  |     | SCREW<br>-(Fuel Module Bracket)                      |
| 1503   | 594618  |     | SCREW<br>-(Fuel Module) (1/4-20x.5)                  |
| 1537   | 703460  |     | NUT, Hex #8-32<br>-(Fuse Cover)                      |
| 1538   | 847332  |     | STUD<br>-(Fuse Cover)                                |
| 1539   | 847333  |     | WASHER<br>-(Fuse Cover)                              |



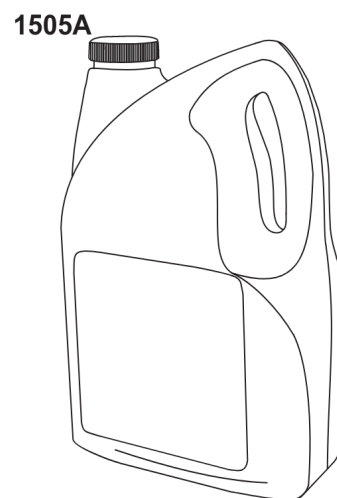
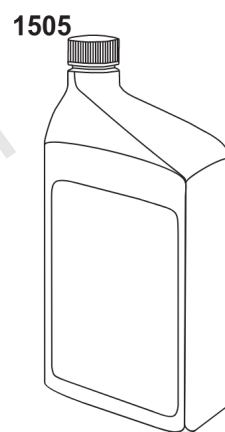
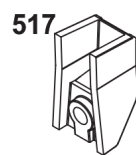
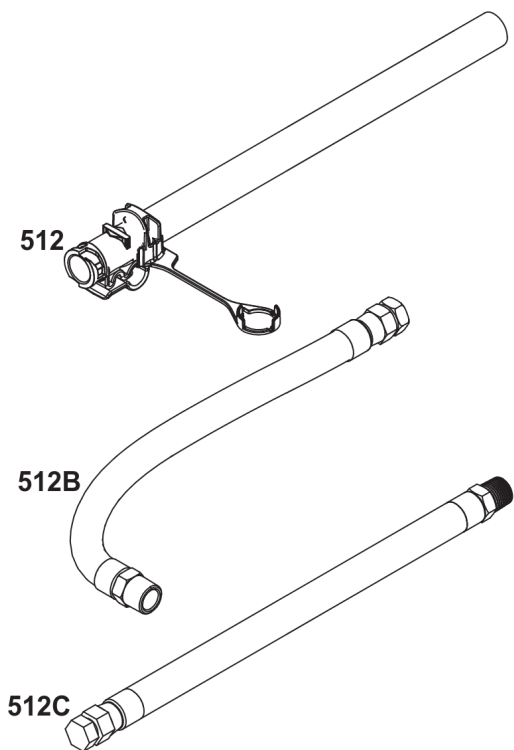
# Model 54-61 Engine Accessories Catalog

Not For  
Reproduction



## Maintenance Kits

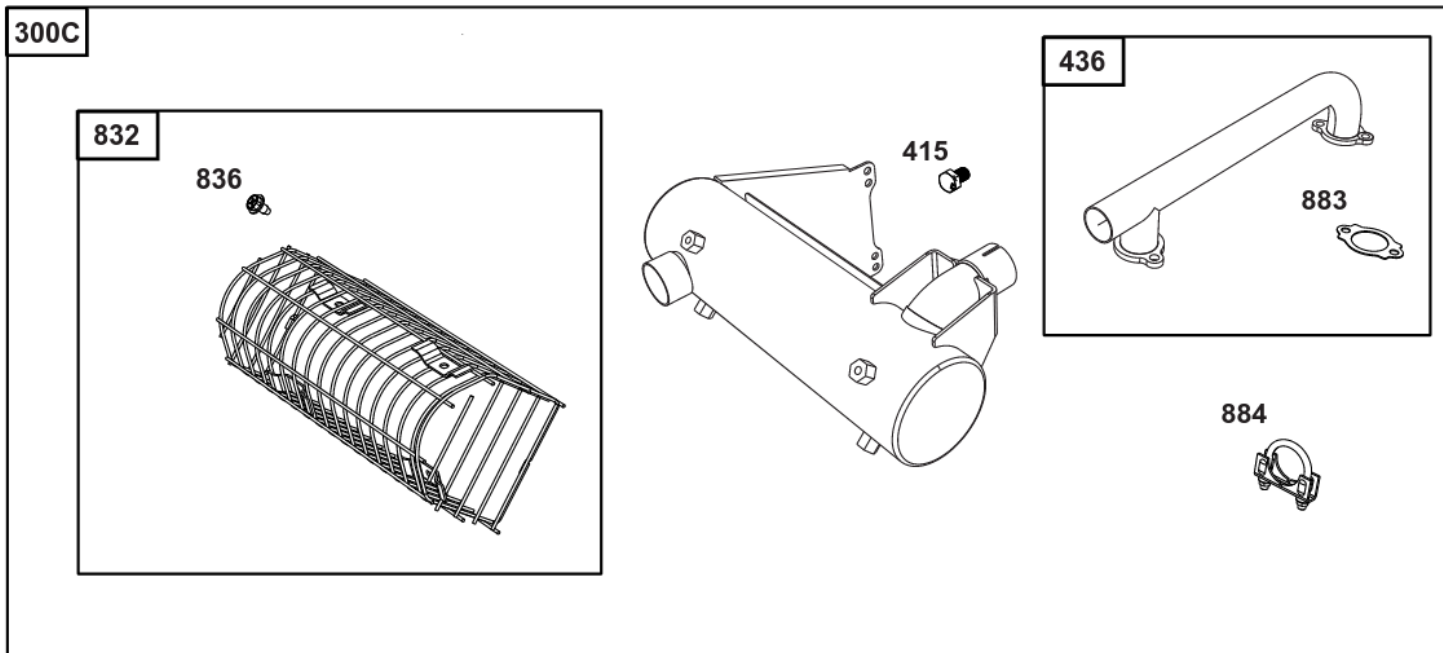
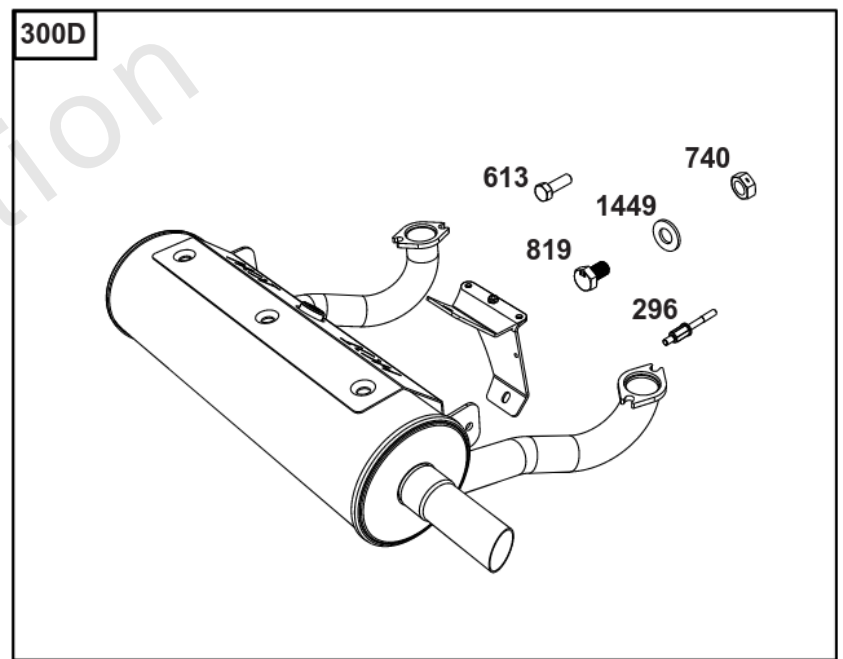
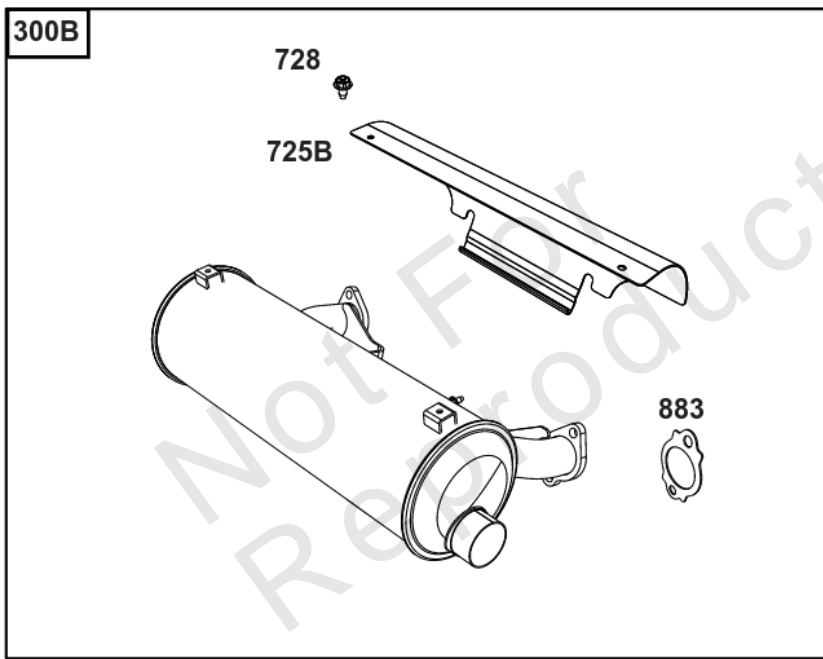
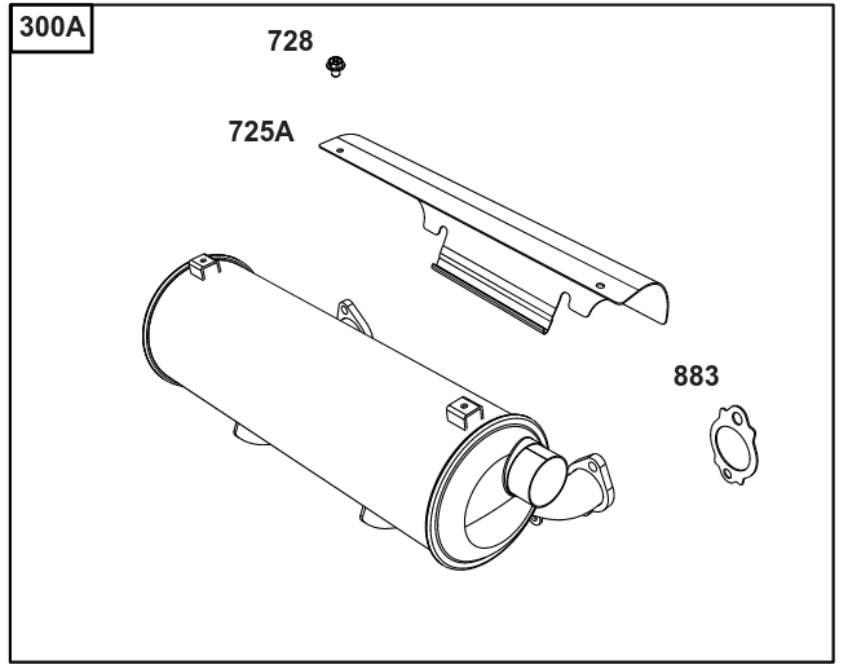
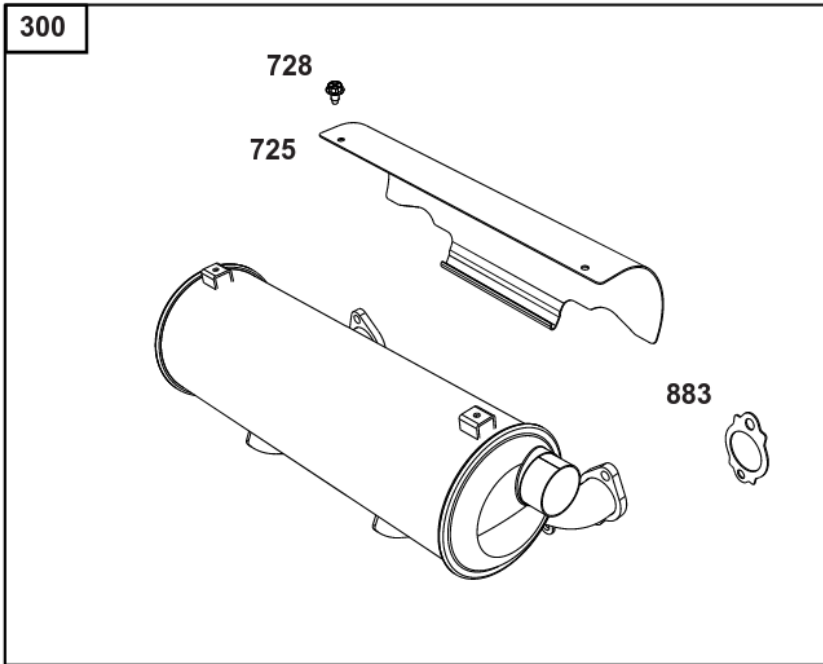
| REF NO | PART NO  | QTY | DESCRIPTION  |
|--------|----------|-----|--|
| 9000   | 84002318 |     | KIT, Maintenance<br>-(Oil Guard™ Engines)                            |
| 9000A  | 84002315 |     | KIT, Maintenance<br>-(Non-Oil Guard™ Engines)                        |
| 9000B  | 84004936 |     | KIT, Maintenance<br>-(Non-Oil Guard™ Engines) (20 - 40 HP)           |
| 240    | 845125   | 1   | FILTER, Fuel   |
| 337    | 491055S  | 2   | PLUG, Spark  |
| 445    | 841497   | 1   | FILTER, A/C Cartridge<br>-"Professional / PXi" & "Commercial / CXi". |
| 445A   | 692519   | 1   | FILTER, A/C Cartridge<br>-"Professional / PXi" & "Commercial / CXi". |
| 967    | 692520   | 1   | FILTER, Pre Cleaner  |
| 1027   | 595930   | 1   | FILTER, Oil<br>-(Oil Guard™)   |
| 1027A  | 842921   | 1   | FILTER, Oil<br>-(Vanguard®)  |
| 1505   | 100170   |     | OIL-5QT VANGUARD (CASE)<br>-(5 qt Bottle)                            |
| 1505A  | 100169   |     | OIL-1QT VANGUARD (CASE)<br>-(1 qt Bottle)                            |



Not For  
Reproduction

## Lubrication

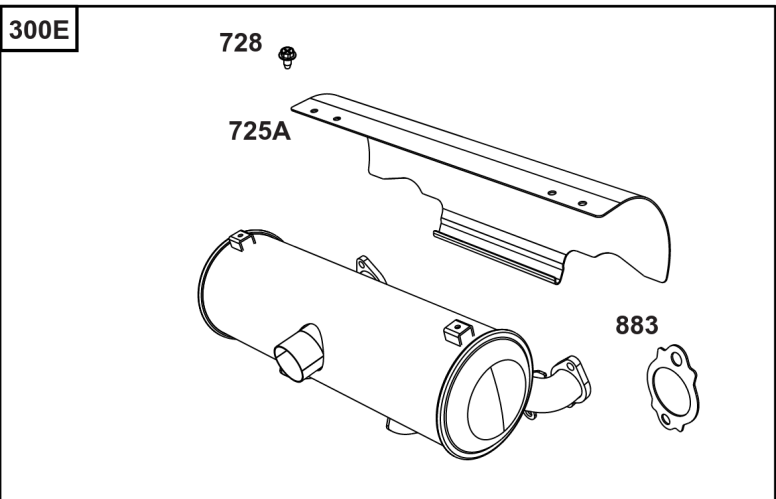
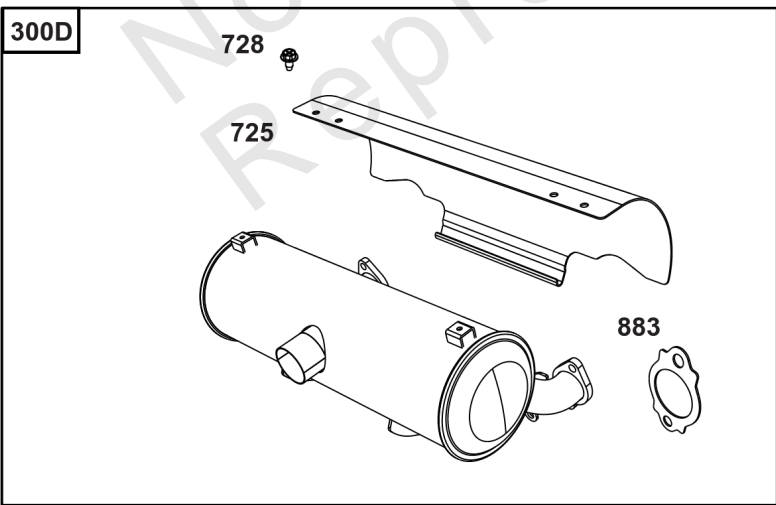
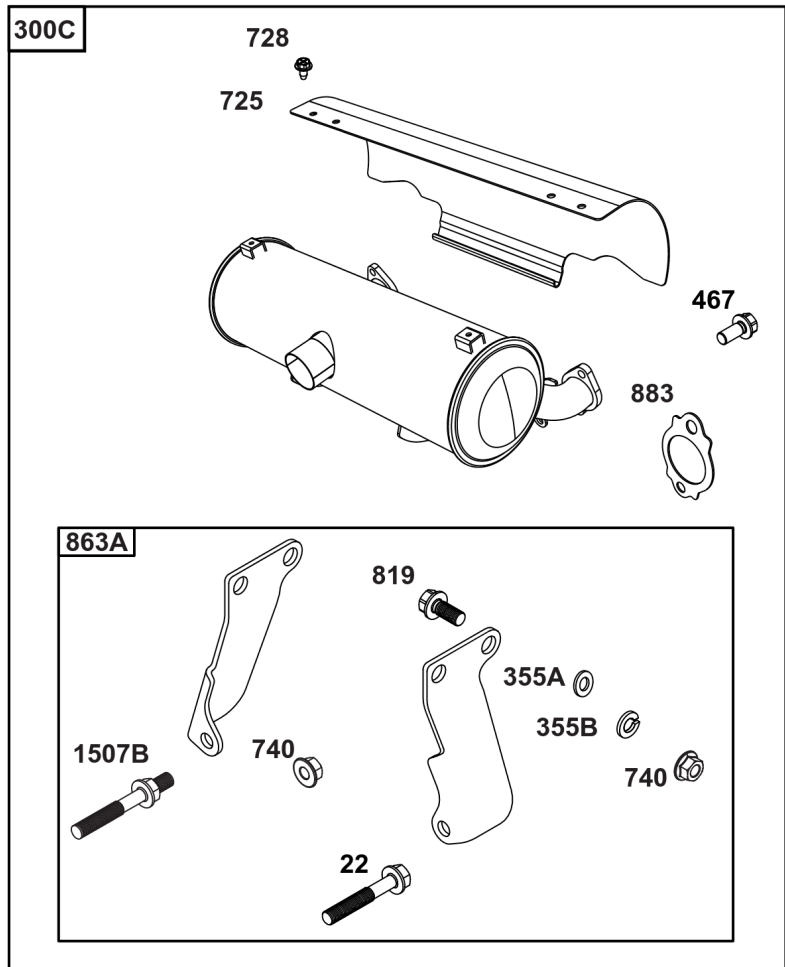
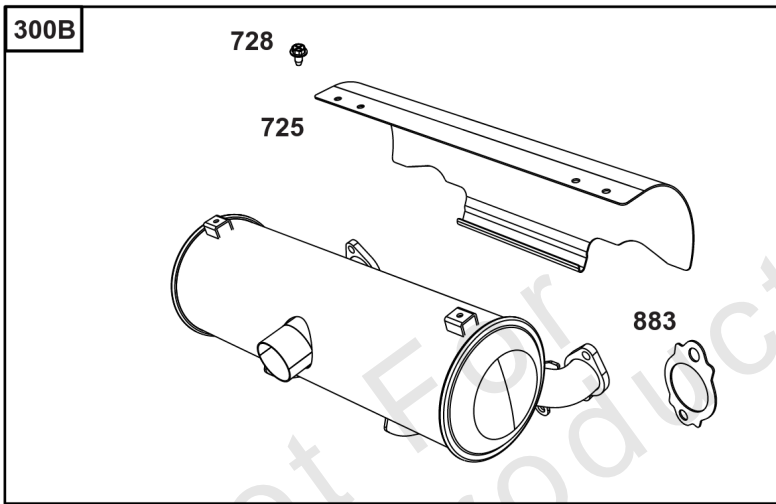
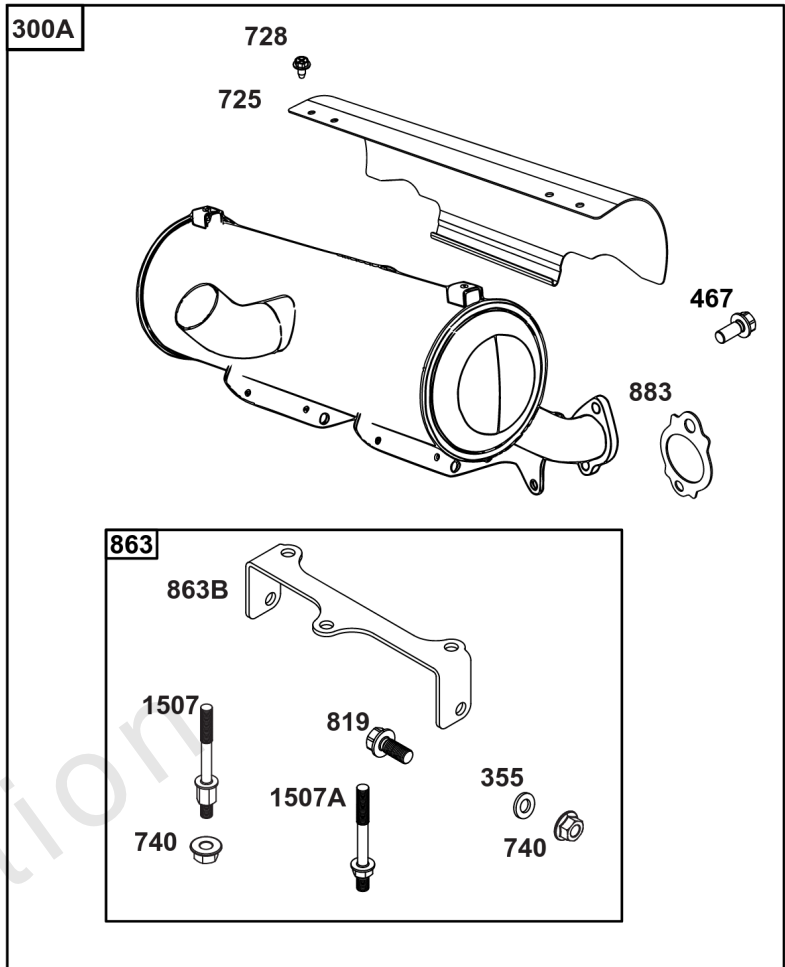
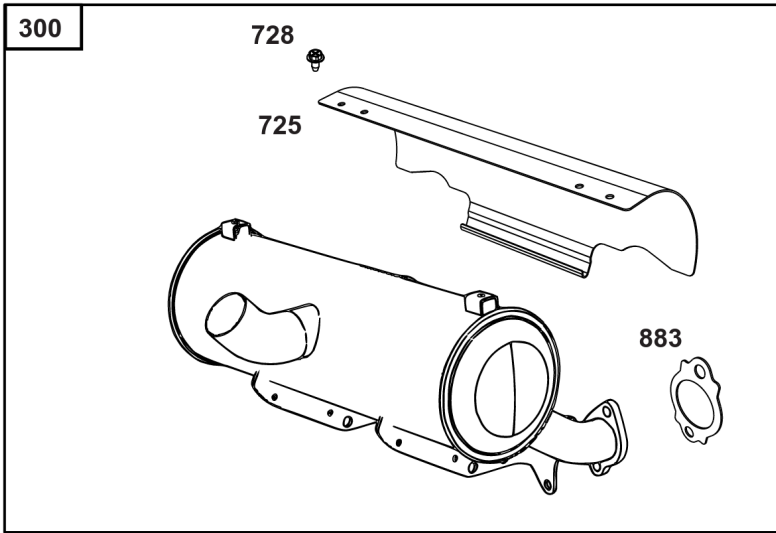
| REF NO | PART NO   | QTY | DESCRIPTION   |
|--------|-----------|-----|---|
| 186    | 796532    | 1   | CONNECTOR, Hose<br>-(Threaded Engine Block Connector for EZ-Oil Drain Hose)(Order hose separate)                        |
| 239    | 690233    | 1   | SWITCH, Oil Pressure<br>-(2-4 PSI Normally-Closed Switch)   |
| 239A   | 491657S   | 1   | SWITCH, Oil Pressure<br>-(3-5 PSI Normally-Closed Switch)   |
| 239B   | 841281    | 1   | SWITCH, Oil Pressure<br>-(7-10 PSI Normally-Closed Switch)  |
| 239C   | 694115    | 1   | SWITCH, Oil Pressure<br>-(9-13 PSI Normally-Closed Switch)  |
| 239D   | 697049    | 1   | SWITCH, Oil Pressure<br>-(3-6 PSI Normally-Open Switch)   |
| 460    | 1761386YP | 1   | CONNECTOR, Filter Adapter<br>-(Oil Drain Valve) (Fitting M14, 90 Degree 9/16 JIC)                                       |
| 460A   | 5100366SM | 1   | METRIC ADAPTER, M14-1<br>-(Threaded engine block adapter M14 to 3/8 for EZ-Oil Drain connector) (order 796532 separate) |
| 512    | 594200    | 1   | HOSE, Oil Drain<br>-(EZ-Oil Drain Hose, 10.5") (Order threaded engine block connector separate)                         |
| 512    | 593635    | 1   | HOSE, Oil Drain<br>-(EZ-Oil Drain Hose, 13.75") (Order threaded engine block connector separate)                        |
| 512B   | 1723165SM | 1   | HOSE, Oil Drain, 10-1/2" Long, 3/8-18 Fittings<br>-(10.5")  |
| 512C   | 5048681SM | 1   | HOSE, OIL DRAIN<br>-(12.5")   |
| 517    | 593633    | 1   | RETAINER, Oil Drain   |
| 1346   | 844802    | 1   | VALVE, Oil Drain Shut Off   |
| 1346A  | 492031    | 1   | VALVE, Oil Drain Shut Off   |
| 1505   | 100169    |     | OIL-1QT VANGUARD (CASE)<br>-(1 qt. Bottle)  |
| 1505A  | 100170    |     | OIL-5QT VANGUARD (CASE)<br>-(5 qt. Bottle)  |





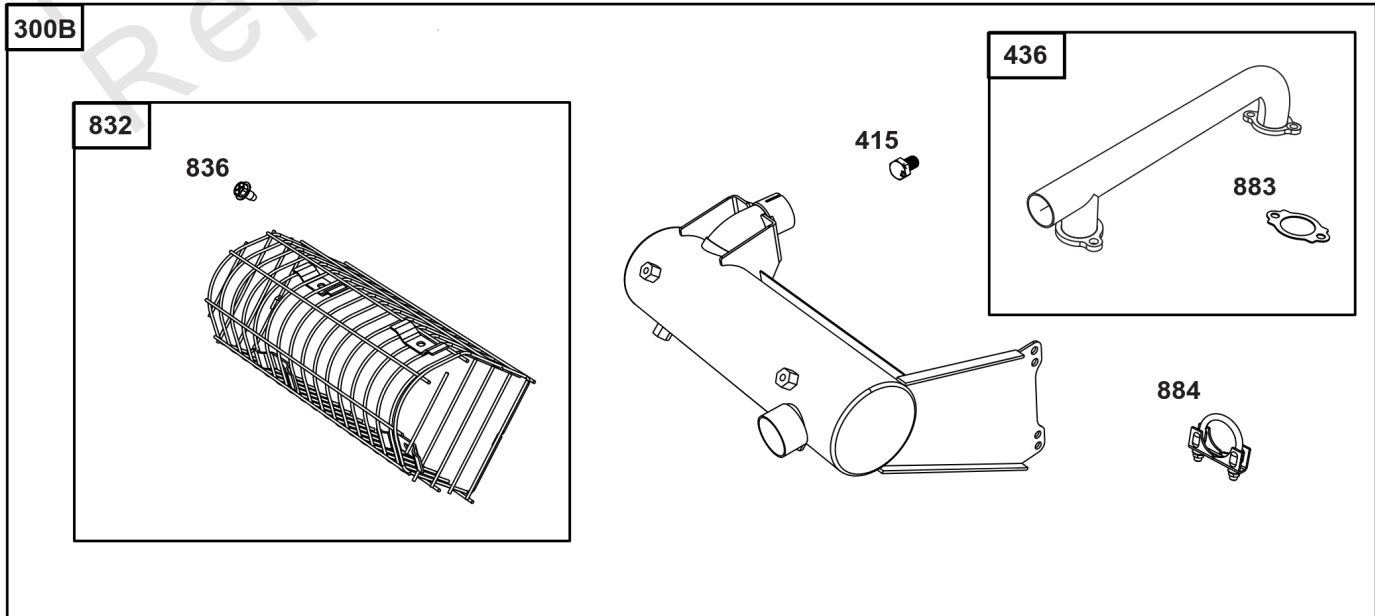
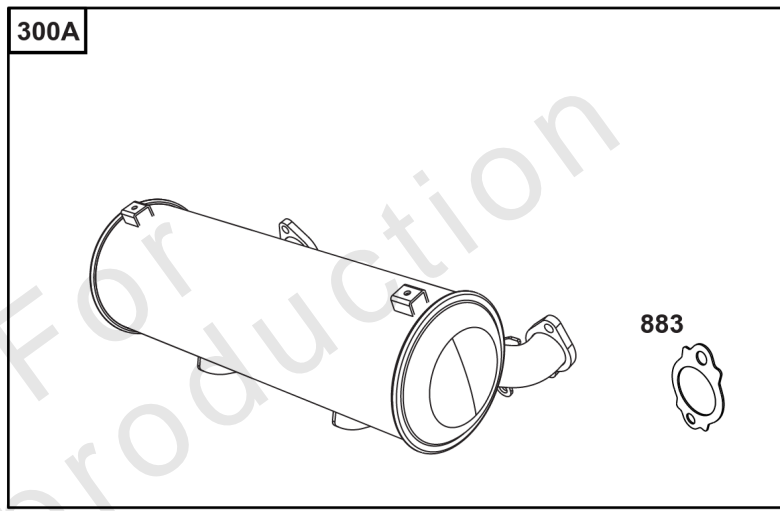
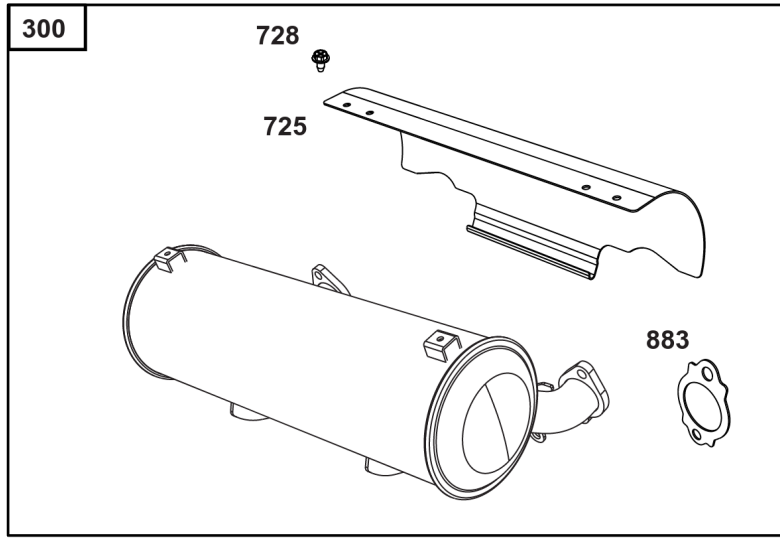
## Oil Filter Side Outlet Mufflers

| REF NO | PART NO     | QTY | DESCRIPTION   |
|--------|-------------|-----|---|
| 296    | 844813      | 4   | STUD<br>-(Muffler)                                      |
| 300    | 846819      | 1   | MUFFLER<br>-(High Mount) (Oil Filter Side Outlet) (EFI) |
| 300A   | 846246      | 1   | MUFFLER<br>-(Mid Mount) (Oil Filter Side Outlet)        |
| 300B   | 847486      | 1   | MUFFLER<br>-(Mid Mount) (Oil Filter Side Outlet) (EFI)  |
| 300C   | 847278      | 1   | MUFFLER<br>-(Side Mount) (Oil Filter Side Outlet) (EFI) |
| 300D   | 84007299    | 1   | MUFFLER<br>-(Vertical Shaft)(Oil Filter Side Outlet)    |
| 415    | 596859      | 1   | PLUG  |
| 436    | 841681      | 1   | MANIFOLD, Exhaust                                       |
| 613    | 596859      |     | PLUG<br>-(Muffler)                                      |
| 725    | 847229      | 1   | SHIELD, Heat  |
| 725A   | 844338      | 1   | SHIELD, Heat  |
| 725B   | 847487      | 1   | SHIELD, Heat  |
| 728    | 692067      | 2   | SCREW<br>-(Heat Shield)                                 |
| 740    | 703164      | 2   | NUT<br>-Muffler Bracket                                 |
| 819    | 5025011X8SM | 2   | CAPSCREW, Hex Head, 5/16-18 X 1<br>-(Muffler Bracket)   |
| 832    | 841682      | 1   | GUARD, Muffler  |
| 836    | 841233      | 4   | SCREW<br>-(Muffler Guard)                               |
| 883    | 809872      | 2   | GASKET, Exhaust   |
| 884    | 841968      | 1   | CLAMP, Muffler  |
| 1449   | 703350      | 4   | WASHER<br>-(Muffler)                                    |



## Center Outlet Mufflers

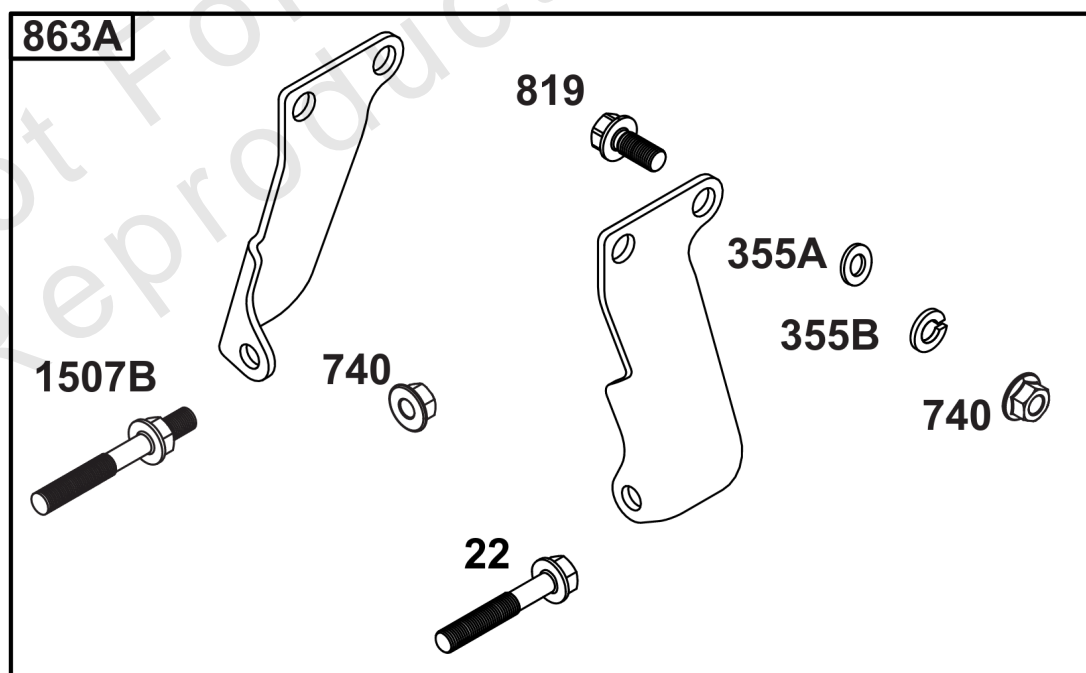
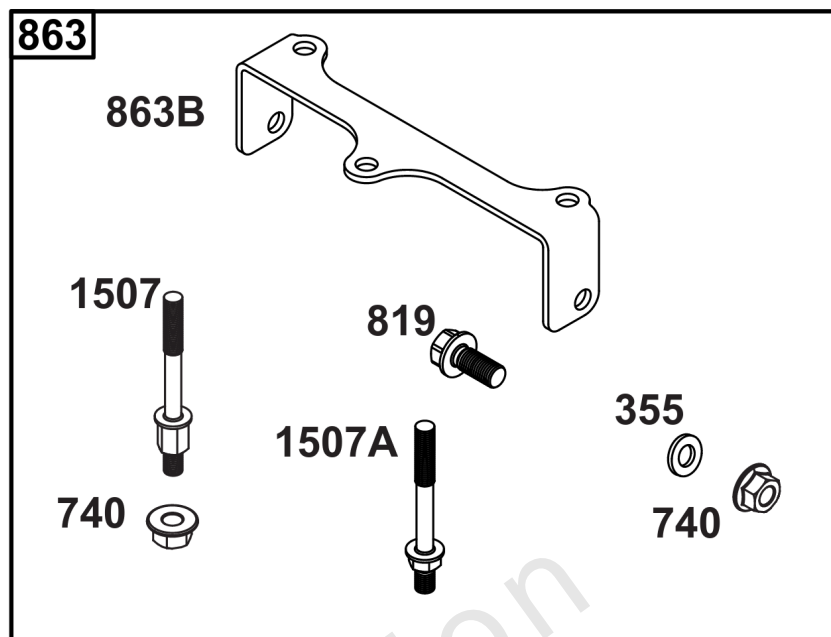
| REF NO | PART NO | QTY | DESCRIPTION  |
|--------|---------|-----|--|
| 22     | 807362  | 2   | SCREW<br>-(Muffler Bracket)  |
| 300    | 846443  | 1   | MUFFLER<br>-(Vertical Shaft) (Center Outlet) (304 Stainless Steel)   |
| 300A   | 847940  | 1   | MUFFLER<br>-(Vertical Shaft) (Center Outlet) (304 Stainless Steel) (Performance Muffler for 40 HP)                   |
| 300B   | 846154  | 1   | MUFFLER<br>-(Horizontal Shaft) (High Mount) (Center Outlet)  |
| 300C   | 847922  | 1   | MUFFLER<br>-(Horizontal Shaft) (High Mount) (Center Outlet) (304 Stainless Steel)<br>(Performance Muffler for 40 HP) |
| 300D   | 846444  | 1   | MUFFLER<br>-(Horizontal Shaft) (High Mount) (Center Outlet) (304 Stainless Steel)                                    |
| 300E   | 847478  | 1   | MUFFLER<br>-(Horizontal Shaft) (High Mount) (Center Outlet) (O2 Sensor Port) (EFI)                                   |
| 355    | 844035  | 2   | WASHER<br>-(Muffler Bracket)   |
| 355A   | 691261  | 2   | WASHER<br>-(Muffler Bracket)   |
| 355B   | 691075  | 8   | WASHER<br>-(Muffler Bracket)   |
| 467    | 846149  | 4   | SCREW<br>-(Exhaust Manifold)   |
| 725    | 841132  | 1   | SHIELD, Heat   |
| 725A   | 847229  | 1   | SHIELD, Heat   |
| 728    | 692067  | 2   | SCREW<br>-(Heat Shield)  |
| 740    | 690941  | 5   | NUT  |
| 819    | 692062  | 2   | SCREW<br>-(Muffler Bracket)  |
| 863    | 848296  | 1   | BRACKET, Muffler   |
| 863A   | 843487  | 1   | BRACKET, Muffler   |
| 863B   | 848296  | 1   | BRACKET, Muffler   |
| 883    | 809872  | 2   | GASKET, Exhaust  |
| 1507   | 848297  | 1   | STUD<br>-(Muffler Bracket)   |
| 1507A  | 848298  | 2   | STUD<br>-(Muffler Bracket)   |
| 1507B  | 846324  | 2   | STUD<br>-(Muffler Bracket)   |



## Starter Side Outlet Mufflers

| REF NO | PART NO | QTY | DESCRIPTION  |
|--------|---------|-----|--|
| 300    | 845741  | 1   | MUFFLER<br>-(High Mount) (Starter Side Outlet)       |
| 300A   | 847083  | 1   | MUFFLER<br>-(Starter Side Outlet) (EFI)              |
| 300B   | 847279  |     | MUFFLER<br>-(Side Mount) (Starter Side Outlet) (EFI) |
| 415    | 596859  | 1   | PLUG   |
| 436    | 842263  | 1   | MANIFOLD, Exhaust                                    |
| 725    | 841132  | 1   | SHIELD, Heat   |
| 728    | 692067  | 2   | SCREW<br>-(Heat Shield)                              |
| 832    | 841682  | 1   | GUARD, Muffler                                       |
| 836    | 841233  | 4   | SCREW<br>-(Muffler Guard)                            |
| 883    | 809872  | 2   | GASKET, Exhaust                                      |
| 884    | 841968  | 1   | CLAMP, Muffler                                       |

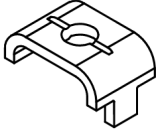
Not For Reproduction



## Muffler Bracket Kits

| REF NO | PART NO | QTY | DESCRIPTION                       |
|--------|---------|-----|-----------------------------------|
| 22     | 807362  | 2   | SCREW<br>-(Muffler Bracket)       |
| 355    | 844035  | 2   | WASHER<br>-(Muffler Bracket)      |
| 355A   | 691261  | 2   | WASHER<br>-(Muffler Bracket)      |
| 355B   | 691075  | 8   | WASHER<br>-(Muffler Bracket)      |
| 740    | 690941  | 6   | NUT<br>-(Muffler Bracket)         |
| 819    | 692062  | 2   | SCREW<br>-(Muffler Bracket)       |
| 863    | 848316  | 1   | BRACKET, Muffler<br>-(Vertical)   |
| 863A   | 843487  | 1   | BRACKET, Muffler<br>-(Horizontal) |
| 863B   | 848296  | 1   | BRACKET, Muffler<br>-(Vertical)   |
| 1507   | 848297  | 1   | STUD<br>-(Muffler Bracket)        |
| 1507A  | 848298  | 2   | STUD<br>-(Muffler Bracket)        |
| 1507B  | 846324  | 2   | STUD<br>-(Muffler Bracket)        |

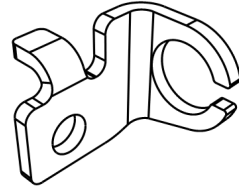
265



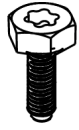
265A



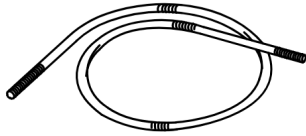
416



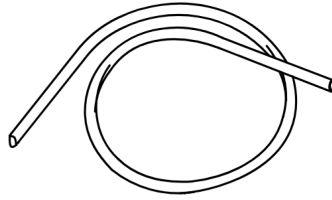
267



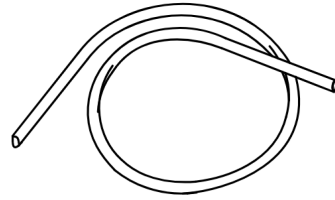
268



269



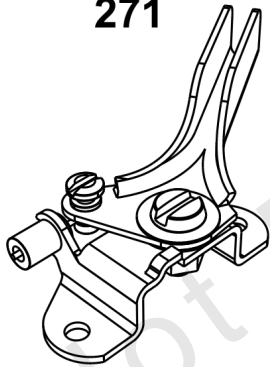
269A



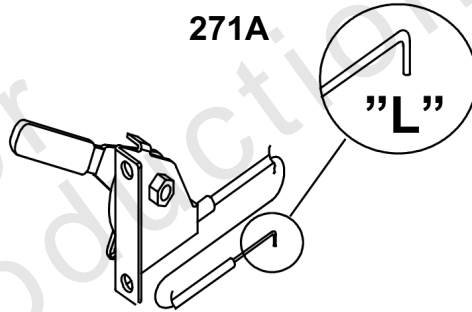
270



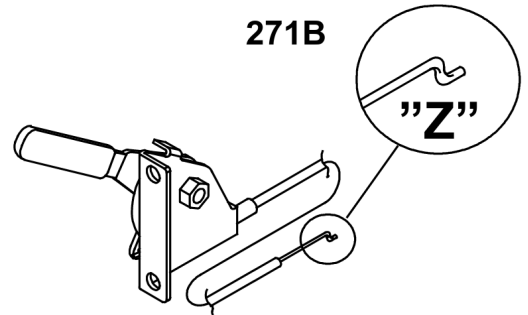
271



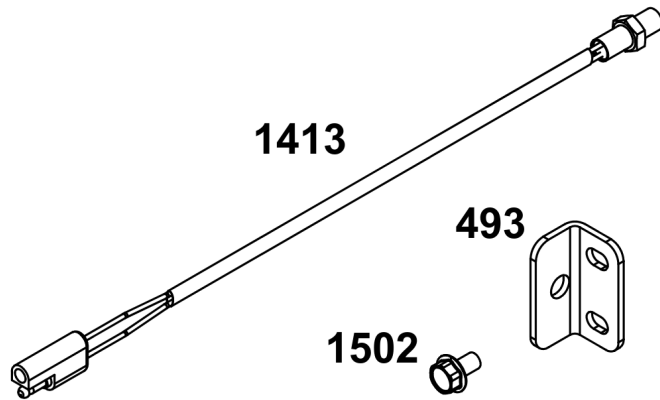
271A



271B



1413



493



1502





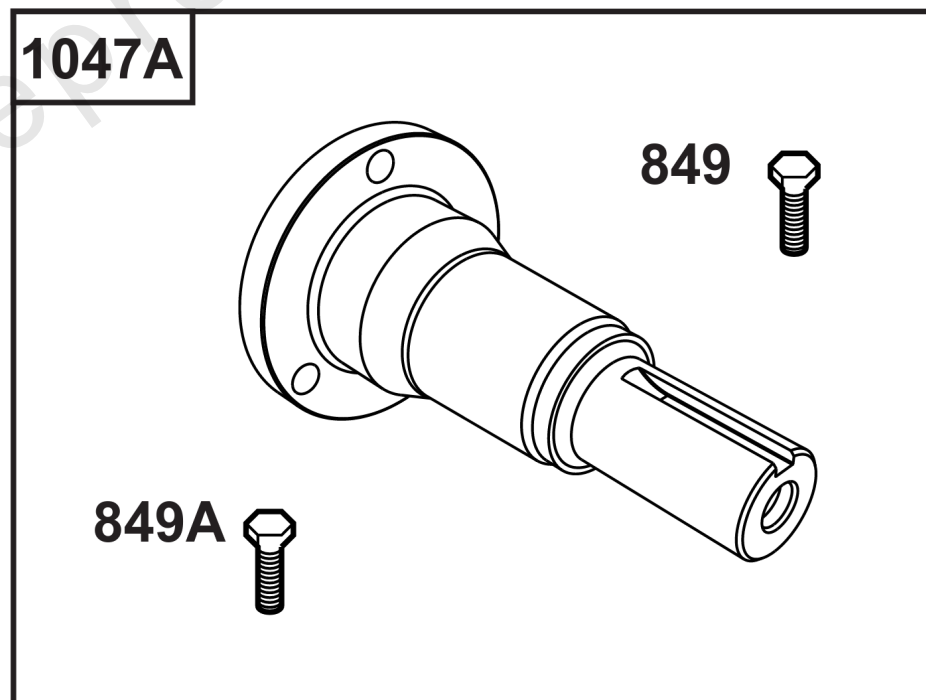
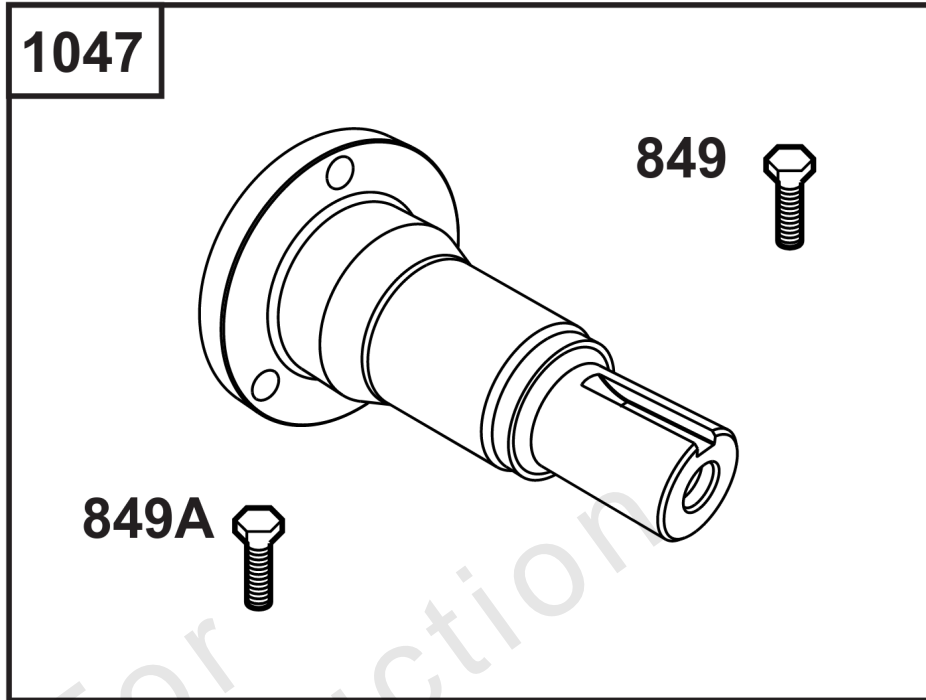
## Speed Control

| REF NO | PART NO | QTY | DESCRIPTION   |
|--------|---------|-----|---|
| 265    | 691024  | 1   | CLAMP, Casing<br>-(Casing Clamp for Hard Casing)                  |
| 265A   | 690798  | 1   | CLAMP, Casing<br>-(Casing Clamp for Soft Casing)                  |
| 267    | 792629  | 1   | SCREW<br>-(Screw for Casing Clamp)                                |
| 268    | 691025  | 1   | CASING, Control Wire<br>-(Wire Casing 72")                        |
| 269    | 691026  | 1   | WIRE, Control<br>-(Control Wire 78")                              |
| 269A   | 93907   | 1   | WIRE, Control<br>-(Control Wire 100")                             |
| 270    | 691027  | 1   | NUT<br>-(Nut for Wire Casing)                                     |
| 271    | 691028  | 1   | LEVER, Control  |
| 271A   | 692105  | 1   | LEVER, Control<br>-(Wire with "L" formed end)                     |
| 271B   | 692541  | 1   | LEVER, Control<br>-(Wire with "Z" formed end)                     |
| 416    | 595196  | 1   | BRACKET, Throttle Cable<br>-(Casing Clamp for Snap-In Casing)     |
| 493    | 842713  | 1   | BRACKET, Mounting<br>-(Speed Sensor)                              |
| 1413   | 844449  | 1   | SENSOR, Speed<br>-(Requires 842713 Bracket and two 841233 screws) |
| 1502   | 841233  | 2   | SCREW<br>-(Speed Sensor)  |



## Electrical

| REF NO | PART NO   | QTY | DESCRIPTION  |
|--------|-----------|-----|--|
| 330    | 847476    | 1   | SENSOR, Oxygen<br>-(Extended Length O2 Sensor 23.5")   |
| 415    | 1714480SM | 1   | PLUG<br>-(Plug for Ignition Switch Removal)  |
| 789    | 809967    | 1   | HARNESS, Wiring<br>-(Wire Harness Extension 8 Pin – 22") (Use with standard key switch 692318 or water/dust resistant key switch 847448)         |
| 789A   | 846776    | 1   | HARNESS, Wiring<br>-(Wire Harness Extension 6 Pin – 22") (Use with standard key<BR/>switch 692318 or water/dust<BR/>resistant key switch 847448) |
| 789B   | 847017    | 1   | WIRE ASSEMBLY<br>-(Wire Harness Extension for 847016 Tach 32")   |
| 853    | 80028618  | 1   | ADAPTER, Wire<br>-(Wire Harness Adapter 6 Pin to 8 Pin)  |
| 983    | 5103809YP | 1   | LIGHT, Indicator<br>-(MIL Light Indicator, LED Red)  |
| 1518   | 847016    | 1   | TACHOMETER<br>-(Tach, Hour Meter with MIL Light for EFI Engines)   |
| 1616   | 19626     | 1   | CODE READER<br>-(Tiny Scan)  |

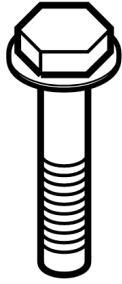


## Stub Shafts

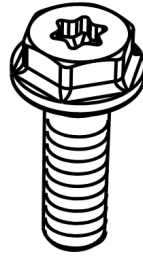
| REF NO | PART NO | QTY | DESCRIPTION   |
|--------|---------|-----|---|
| 849    | 596370  | 3   | SCREW<br>-(Stub Shaft)  |
| 849A   | 846235  | 3   | SCREW<br>-(Stub Shaft)  |
| 1047   | 841304  | 1   | SHAFT, Stub<br>-(Flywheel Mounted) (1-1/8" diameter, 148 mm length) |
| 1047A  | 843342  | 1   | SHAFT, Stub<br>-(Flywheel Mounted) (1-1/8" diameter, 176 mm length) |

Not For Reproduction

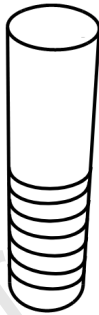
613



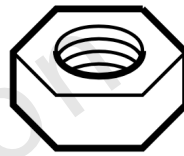
437



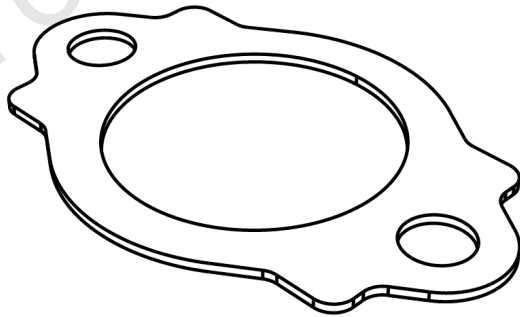
151



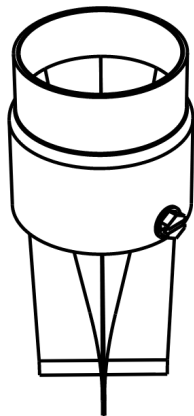
1177



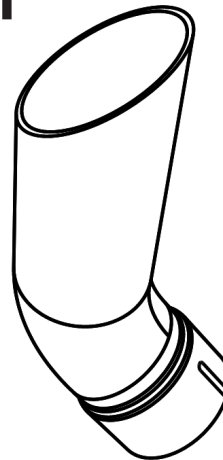
883



994



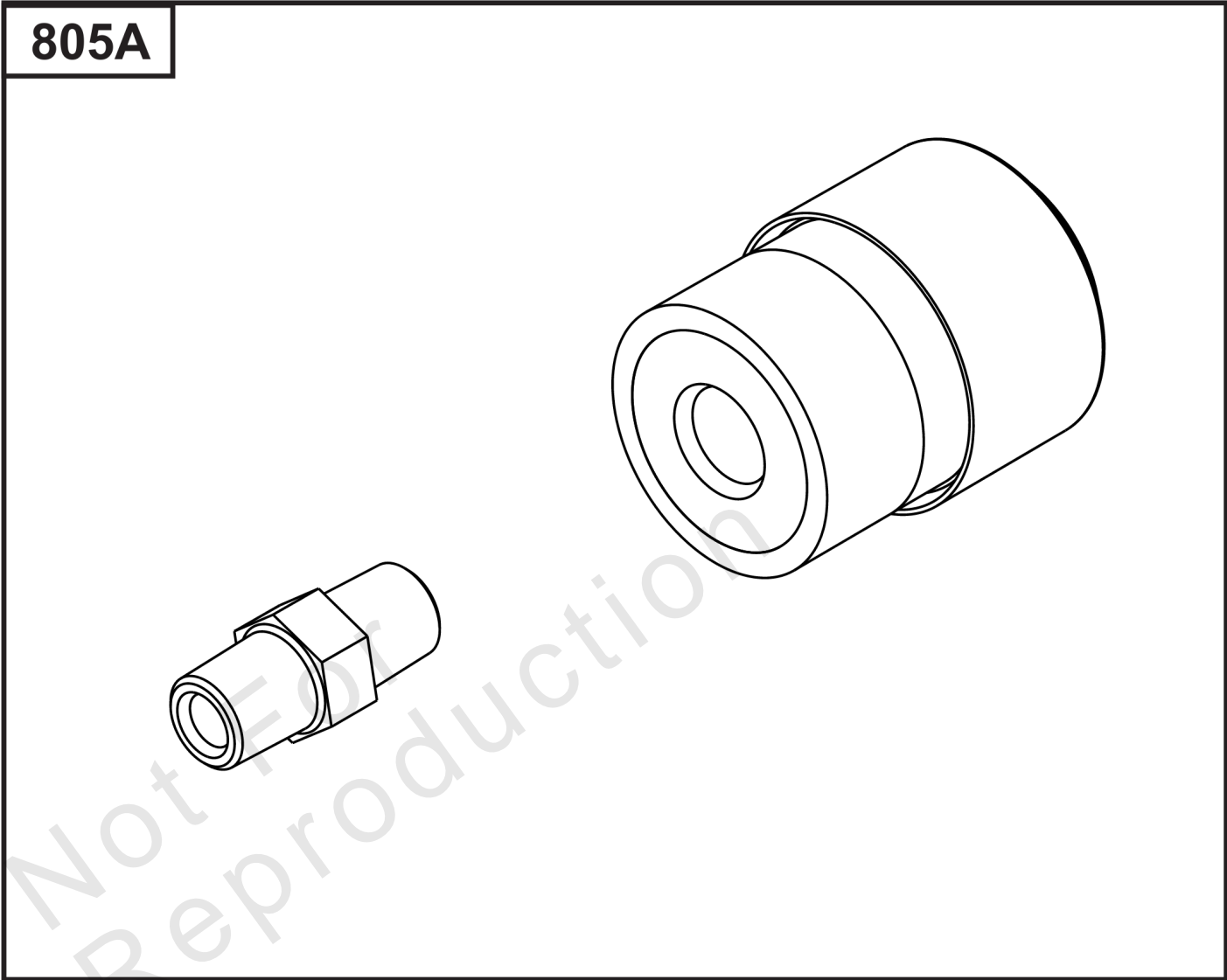
301



## Spark Arrester/Deflector

| REF NO | PART NO | QTY | DESCRIPTION   |
|--------|---------|-----|---|
| 151    | 841185  | 4   | STUD<br>-(4 per engine)   |
| 301    | 841518  | 1   | PIPE, Exhaust<br>-(For 44.7 O.D. muffler outlet pipe) (Requires clamp 843624) |
| 437    | 809743  | 4   | SCREW<br>-(M8 x 25 for Mounting Mufflers) (4 per engine)                      |
| 613    | 692062  | 4   | SCREW<br>-(M8 x 18 for Mounting Mufflers) (4 per engine)                      |
| 883    | 809872  | 2   | GASKET, Exhaust<br>-(2 per engine)  |
| 994    | 843204  | 1   | ARRESTOR, Spark<br>-(1.75") (44.7 mm) (O.D. Outlet Tube)                      |
| 1177   | 842067  | 4   | NUT<br>-(Required if using 841185 stud)                                       |

Not For Reproduction





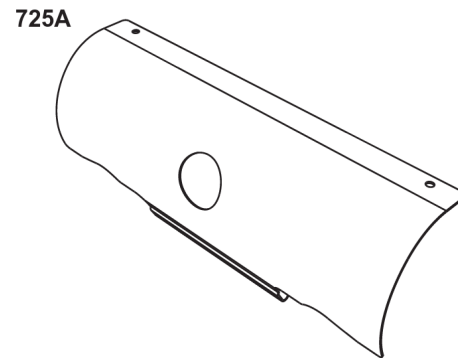
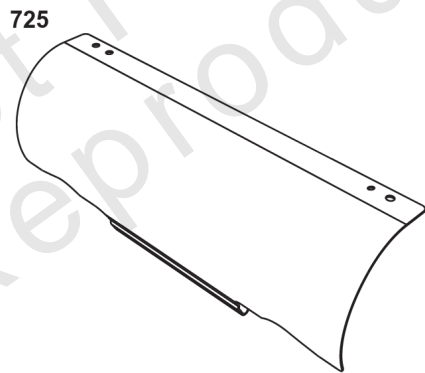
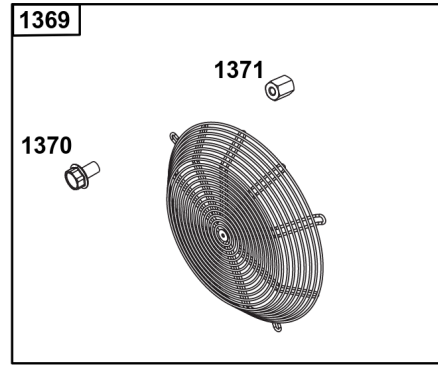
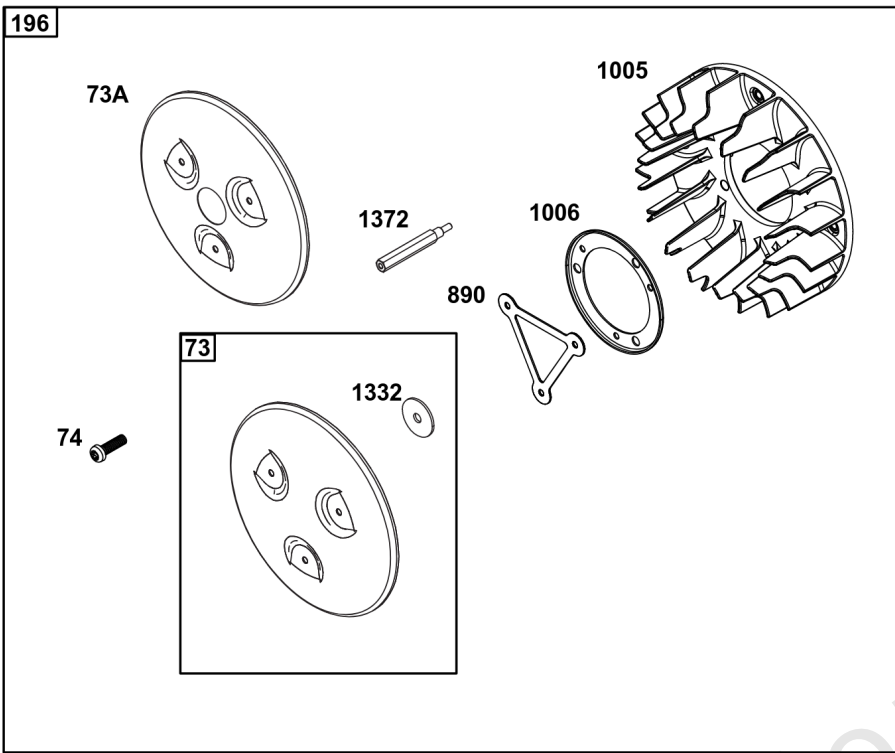
## *Air Intake*

---

| REF NO | PART NO | QTY | DESCRIPTION    |
|--------|---------|-----|----------------|
| 805A   | 843024  | 1   | MINDER, Filter |

---

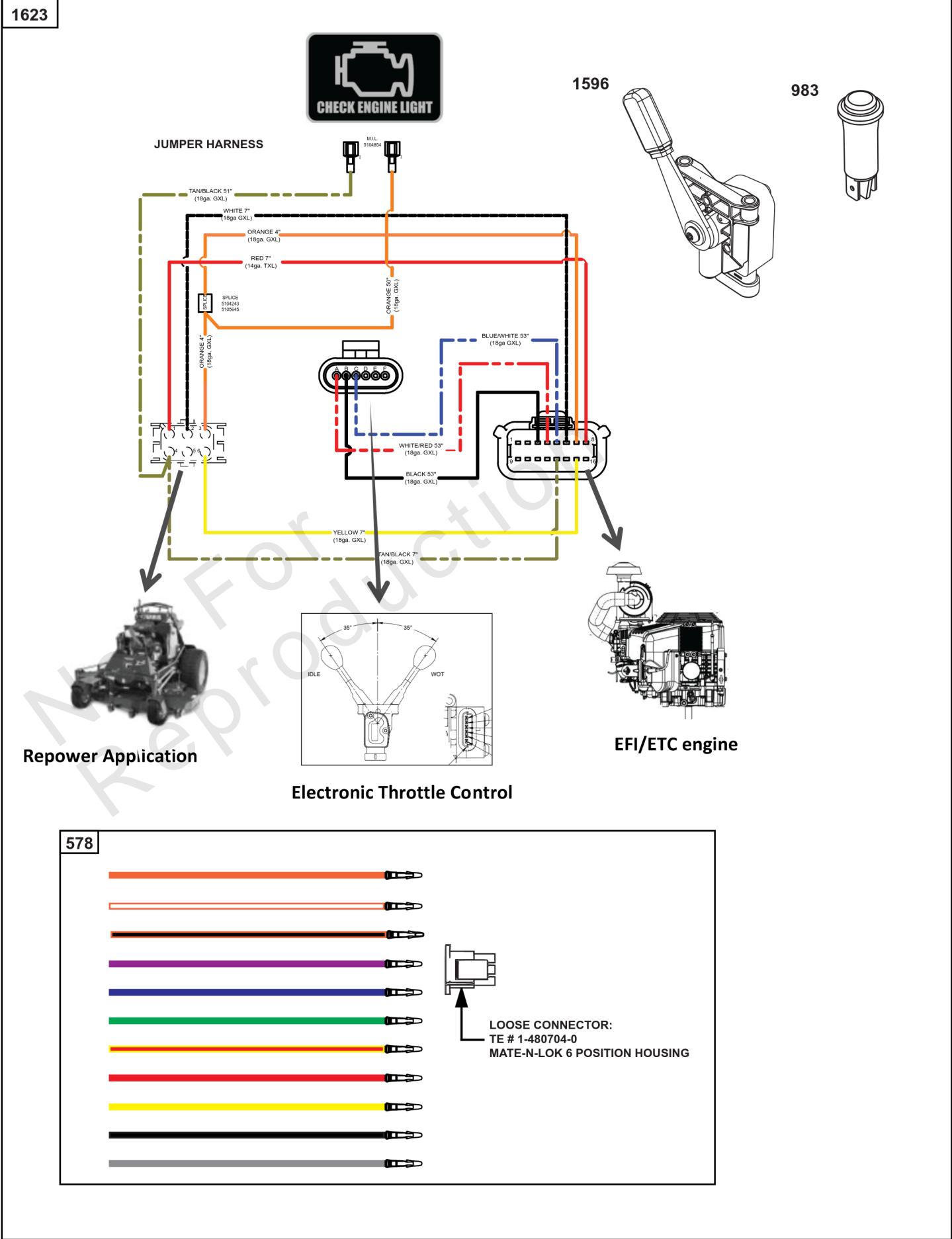
Not For Reproduction



## Guarding

| REF NO | PART NO | QTY | DESCRIPTION                                  |
|--------|---------|-----|--|
| 73     | 841840  | 1   | SCREEN, Rotating                             |
| 73A    | 842248  | 1   | SCREEN, Rotating                             |
| 74     | 809947  | 3   | SCREW<br>-(Rotating Screen) (M6x20mm)        |
| 196    | 847200  | 1   | GUARD, Flywheel Fan                          |
| 725    | 841132  | 1   | SHIELD, Heat<br>-(Requires 2 x 692067 Screw) |
| 725A   | 847229  | 1   | SHIELD, Heat<br>-(With 02 Sensor Hole) (EFI) |
| 890    | 809987  | 1   | BRACKET, Support                             |
| 1005   | 846996  | 1   | FAN, Flywheel                                |
| 1006   | 847198  | 1   | RETAINER, Fan                                |
| 1332   | 809948  | 3   | WASHER                                       |
| 1369   | 995019  | 1   | FAN/SCREEN ASSEMBLY                          |
| 1370   | 841233  | 4   | SCREW<br>-(Flywheel Fan Guard)               |
| 1371   | 841537  | 4   | NUT<br>-(Flywheel Fan Guard)                 |
| 1372   | 809946  | 3   | STUD   |

Not For Reproduction



## ***Electronic Throttle Kit***

| <b>REF NO</b> | <b>PART NO</b> | <b>QTY</b> | <b>DESCRIPTION</b>  |
|---------------|----------------|------------|---|
| 578           | 84007350       | 1          | WIRE ASSEMBLY   |
| 983           | 5103809YP      | 1          | LIGHT, Indicator  |
| 1596          | 84007271       | 1          | LEVER, Electronic Throttle                                      |
| 1623          | 84008670       | 1          | KIT, Throttle Assembly<br>-(Analog Electronic Throttle Control) |

Not For Reproduction

# **WANGUARD<sup>®</sup>**

**COMMERCIAL POWER**



**BRIGGS & STRATTON<sup>®</sup>**