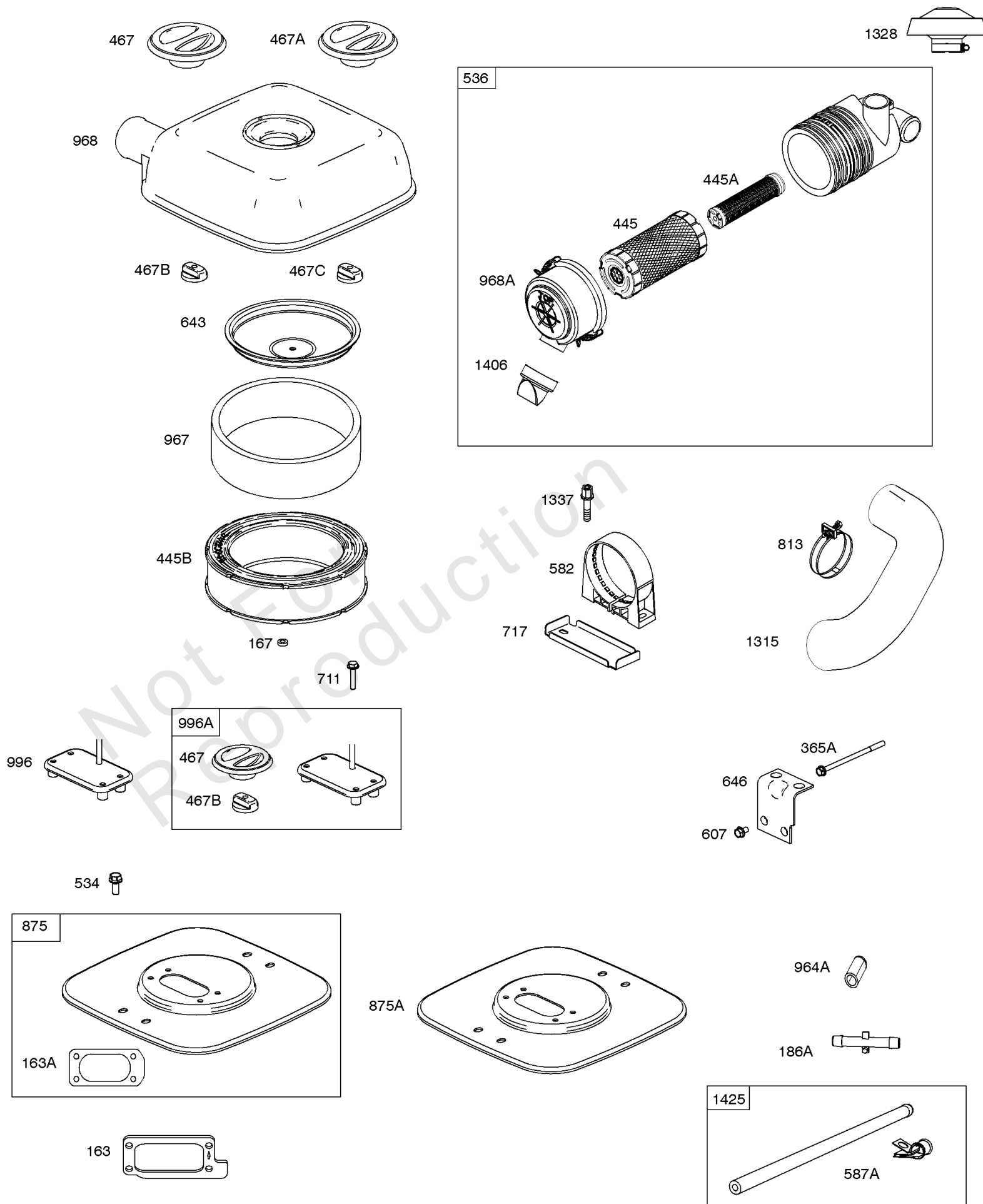




Parts Manual

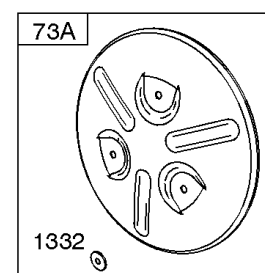
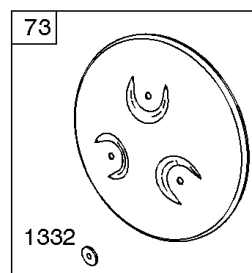
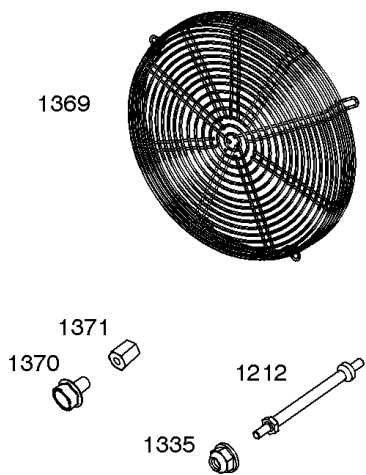
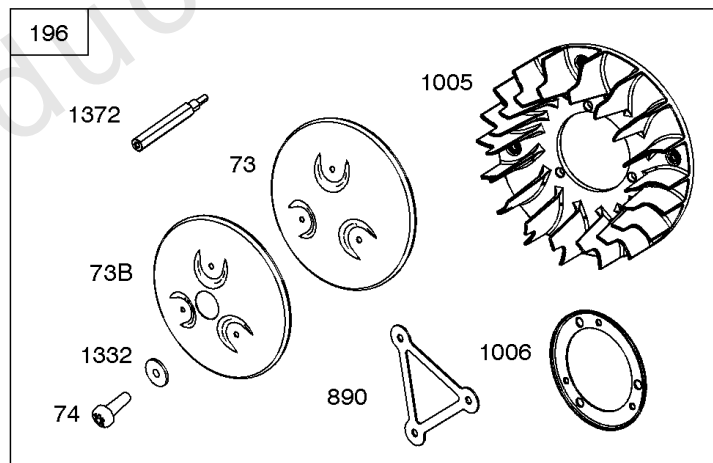
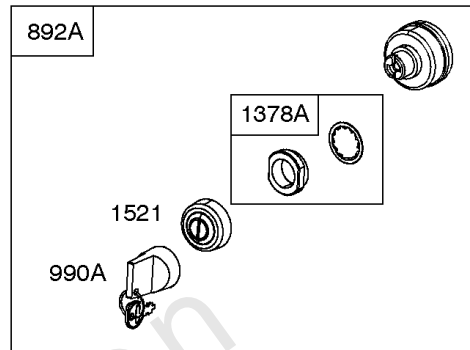
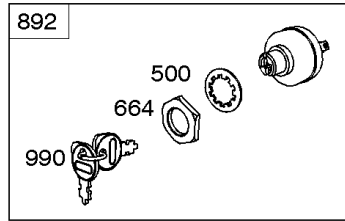
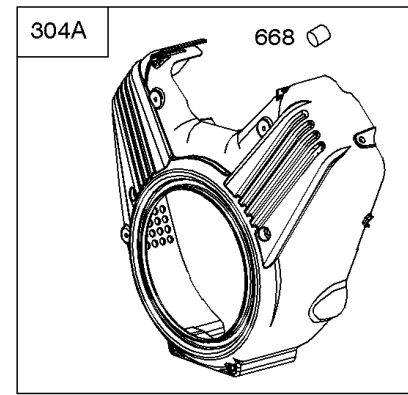
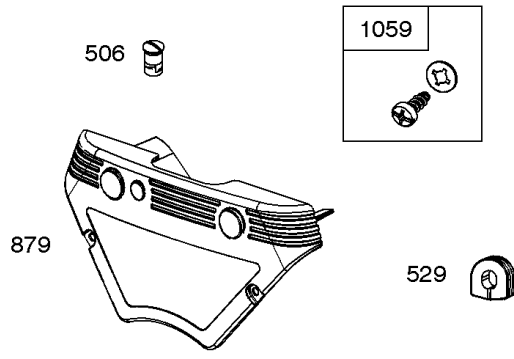
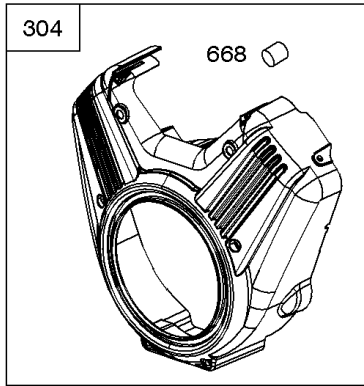
Mfg. No: 541477-1112-J1

| Model Components | Page |
|---|-------------|
| Air Cleaners, Purge Hose. | 4 |
| Blower Housings, Key Switches, Rotating Screens. | 6 |
| Carburetor Overhaul Kit, Engine/Valve Gasket Sets. | 8 |
| Carburetors, Carburetor Spacer. | 10 |
| Control Brackets, Springs, Throttle Rod. | 14 |
| Crankcase Cover, Oil Cooler, Camshaft. | 16 |
| Cylinder Heads, Rocker Covers. | 20 |
| Cylinder, Piston/Rings/Connecting Rod, Crankshaft. | 24 |
| Exhaust System. | 28 |
| Flywheel, Air Guides, Stub Shaft. | 30 |
| Intake Manifold, Intake Elbows, Fuel Supply. | 32 |
| Replacement Engine - US & Canada. | 34 |
| Starter Motor, Wire Harness's, Armatures. | 35 |
| Model 54-61 Engine Accessories Catalog. | 37 |
| Maintenance Kits. | 38 |
| Lubrication. | 40 |
| Oil Filter Side Outlet Mufflers. | 42 |
| Center Outlet Mufflers. | 44 |
| Starter Side Outlet Mufflers. | 46 |
| Muffler Bracket Kits. | 48 |
| Speed Control. | 50 |
| Electrical. | 52 |
| Stub Shafts. | 54 |
| Spark Arrester/Deflector. | 56 |
| Air Intake. | 58 |
| Guarding. | 60 |
| Electronic Throttle Kit. | 62 |



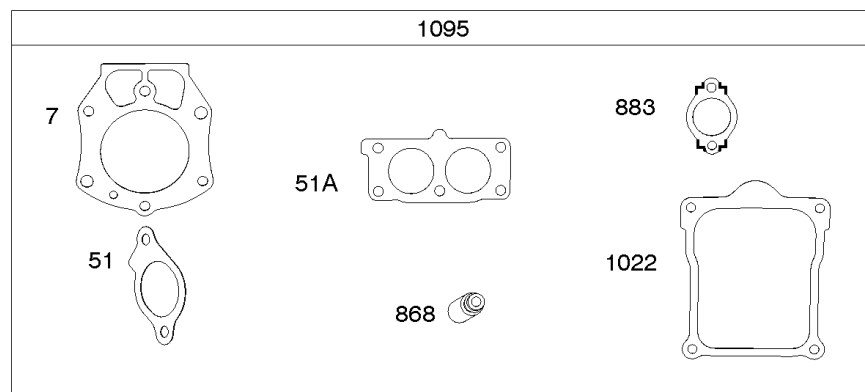
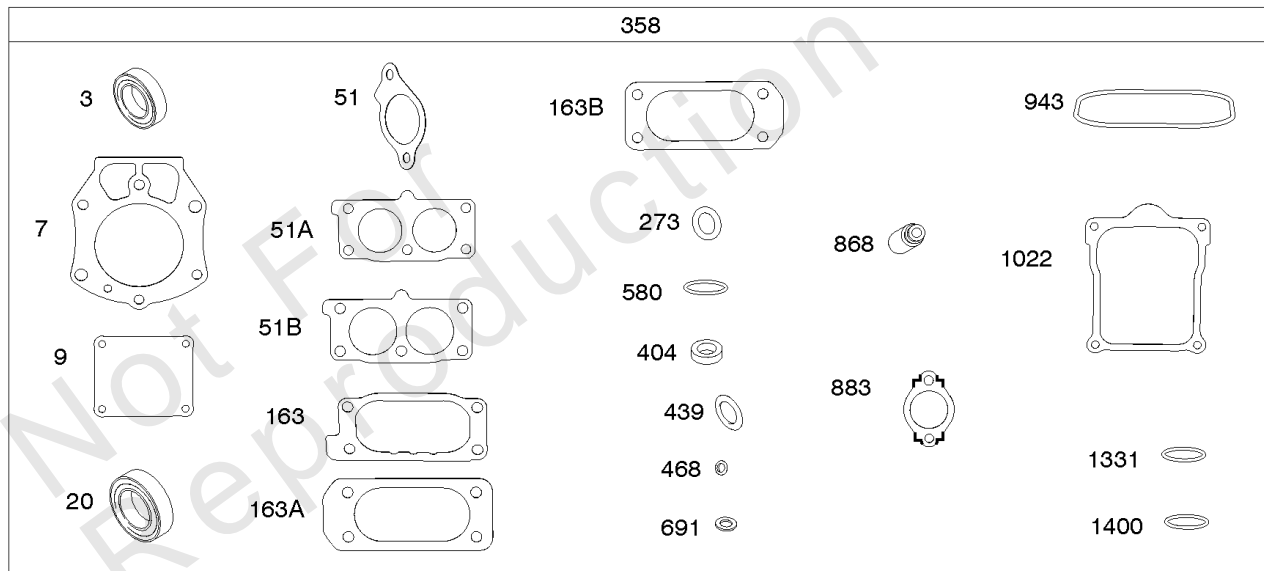
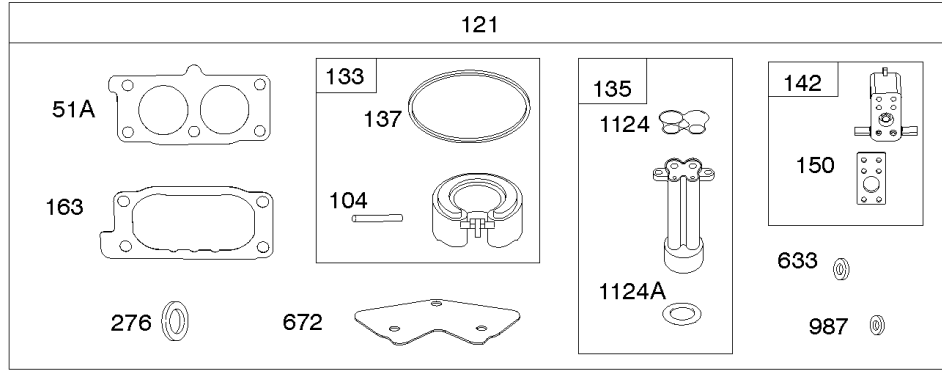
Air Cleaners, Purge Hose

| REF NO | PART NO | QTY | DESCRIPTION |
|--------|---------|-----|--|
| 163 | 807375 | | GASKET, Air Cleaner |
| 167 | 841855 | | SEAL, Air Cleaner Nut -Used Before Code Date 14012800 |
| 186A | 845121 | | CONNECTOR, Hose -(EVAP) |
| 365A | 841853 | | SCREW -(Carburetor/Throttle Body) (M6x103mm) |
| 445 | 841497 | | FILTER, A/C Cartridge |
| 445A | 821136 | | FILTER, A/C Cartridge |
| 445B | 692519 | | FILTER, A/C Cartridge |
| 467 | 846008 | | KNOB, Air Cleaner Cover -(M8) -Used After Code Date 14012700 |
| 467A | 841846 | | KNOB, Air Cleaner Cover -(M6) -Used Before Code Date 14012800 |
| 467B | 846007 | | KNOB, Air Cleaner Cover -(M8) -Used After Code Date 14012700 |
| 467C | 844618 | | KNOB, Air Cleaner Cover -(M6) -Used Before Code Date 14012800 |
| 534 | 692062 | | SCREW -(Air Cleaner) |
| 536 | 809670 | | CLEANER, Air |
| 582 | 809878 | | CLAMP, Air Cleaner |
| 587A | 807116 | | CLAMP, Tube |
| 607 | 841233 | | SCREW -(Air Cleaner Brace) |
| 643 | 844932 | | RETAINER, Air Cleaner |
| 646 | 841849 | | BRACE, Air Cleanr |
| 711 | 807385 | | SCREW -(Carburetor Shield) (M6x35mm) |
| 717 | 841886 | | BRACKET, Air Cleaner |
| 813 | 807376 | | CLAMP -(Air Cleaner Hose) |
| 875 | 843118 | | BASE, Air Cleaner -Used After Code Date 06062200 |
| 964A | 590799 | | CAP, Connector |
| 967 | 692520 | | FILTER, Pre Cleaner |
| 968 | 841847 | | COVER, Air Cleaner |
| 968A | 842621 | | COVER, Air Cleaner |
| 996 | 846006 | | SHIELD, Carburetor -(M8) -Used After Code Date 14012700 |
| 996A | 846013 | | SHIELD, Carburetor -(M8) -Used After Code Date 06062200 -Used Before Code Date 14012800 |
| 1315 | 809905 | | HOSE, Air Cleaner |
| 1328 | 809907 | | CAP, A/C Rain |
| 1337 | 807382 | | SCREW -(Air Cleaner Clamp) |
| 1406 | 842623 | | VALVE, Debris |



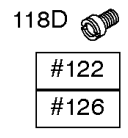
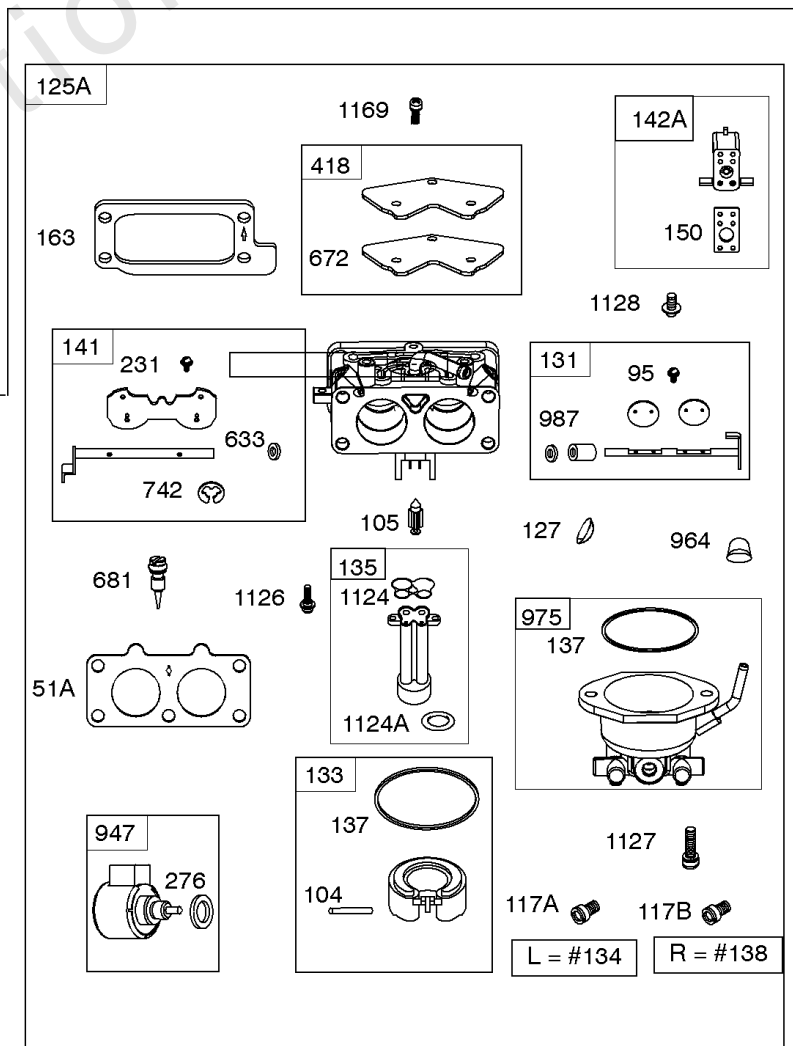
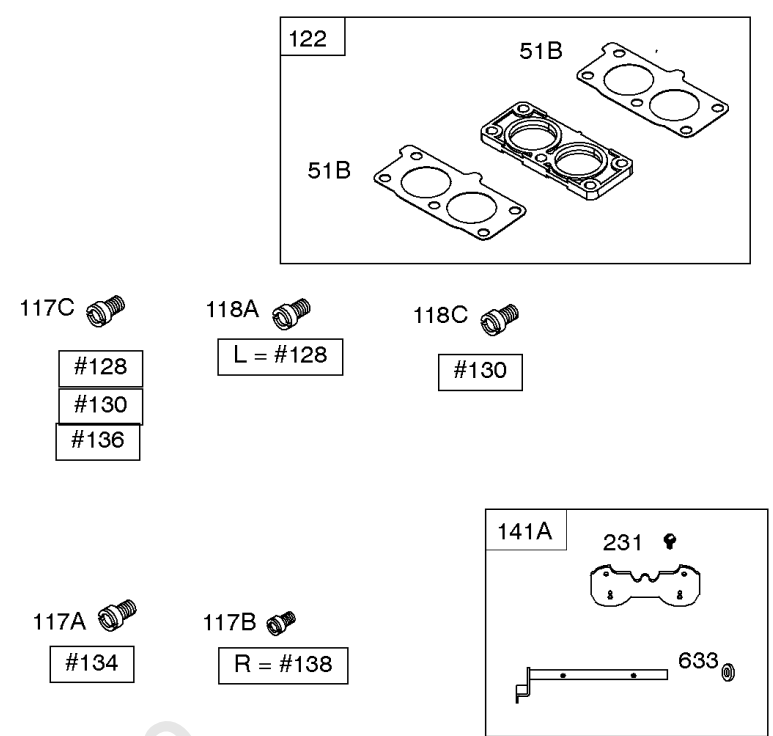
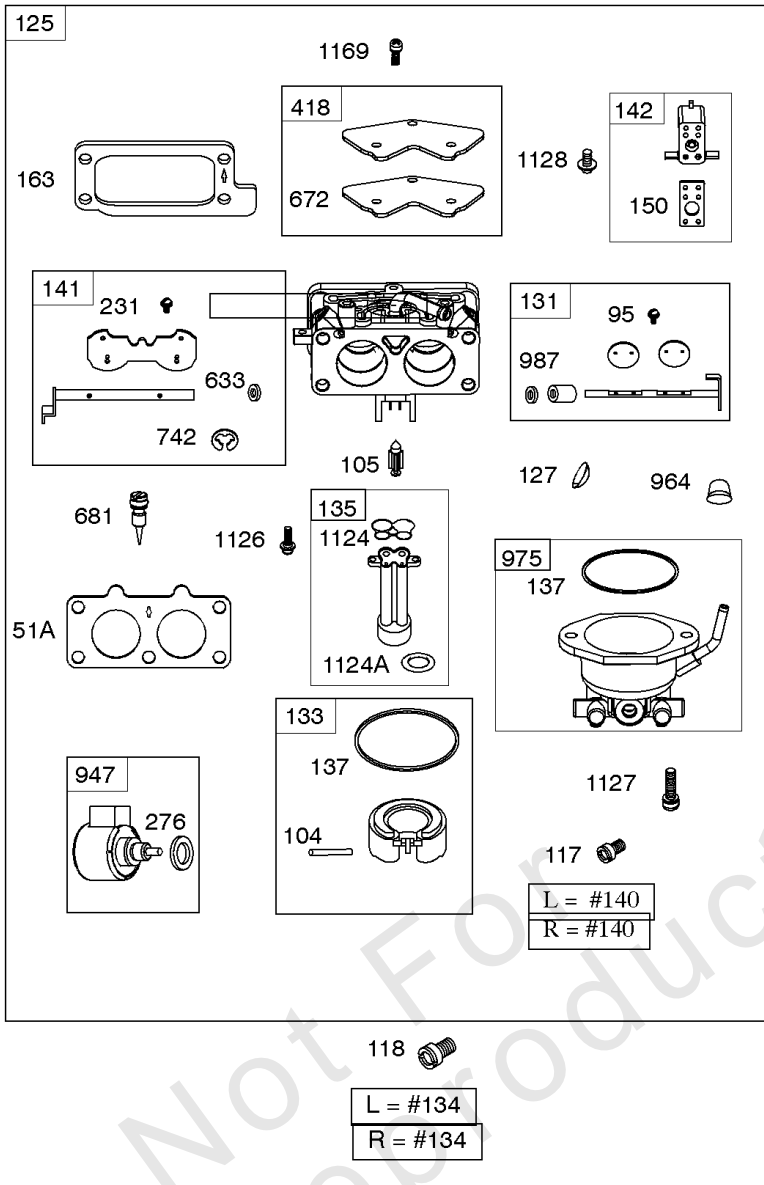
Blower Housings, Key Switches, Rotating Screens

| REF NO | PART NO | QTY | DESCRIPTION |
|--------|---------|-----|---|
| 73 | 841840 | | SCREEN, Rotating -Used After Code Date 05010900 |
| 74 | 809947 | | SCREW -(Rotating Screen) |
| 196 | 847200 | | GUARD, Flywheel Fan -Used Before Code Date 05011000 |
| 304 | 846964 | | HOUSING, Blower -(Non Oil Cooler) -Used After Code Date 11040700 |
| 304 | 809959 | | HOUSING, Blower -(Non Oil Cooler) -Used Before Code Date 11040700 |
| 500 | 691086 | | WASHER -(Key Switch) |
| 506 | 809957 | | SCREW -(Carburetor/EFI Cover) -Used Before Code Date 11040800 |
| 529 | 690744 | | GROMMET -(Magneto Armature Wires) |
| 664 | 691087 | | NUT -(Key Switch) |
| 668 | 841974 | | SPACER -(Blower Housing) |
| 879 | 809955 | | COVER, Carburetor/EFI |
| 890 | 809987 | | BRACKET, Support |
| 892A | 847448 | | SWITCH, Key |
| 990A | 847146 | | SET, Key |
| 1005 | 846996 | | FAN, Flywheel -Used After Code Date 15080600 |
| 1006 | 847198 | | RETAINER, Fan |
| 1059 | 845300 | | KIT, Screw/Washer -Used After Code Date 11040700 |
| 1212 | 809958 | | STUD -(Blower Housing) |
| 1332 | 809948 | | WASHER -(Rotating Screen) |
| 1335 | 690939 | | NUT -(Blower Housing) |
| 1369 | 842858 | | GUARD, Flywheel Fan |
| 1370 | 841233 | | SCREW -(Flywheel Fan Guard) |
| 1371 | 841537 | | NUT -(Flywheel Fan Guard) |
| 1372 | 809946 | | STUD -(Rotating Screen) |
| 1378A | 847144 | | SET, Washer/Nut -(Key Switch) |
| 1521 | 847150 | | CAP, Switch |



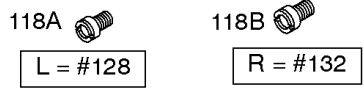
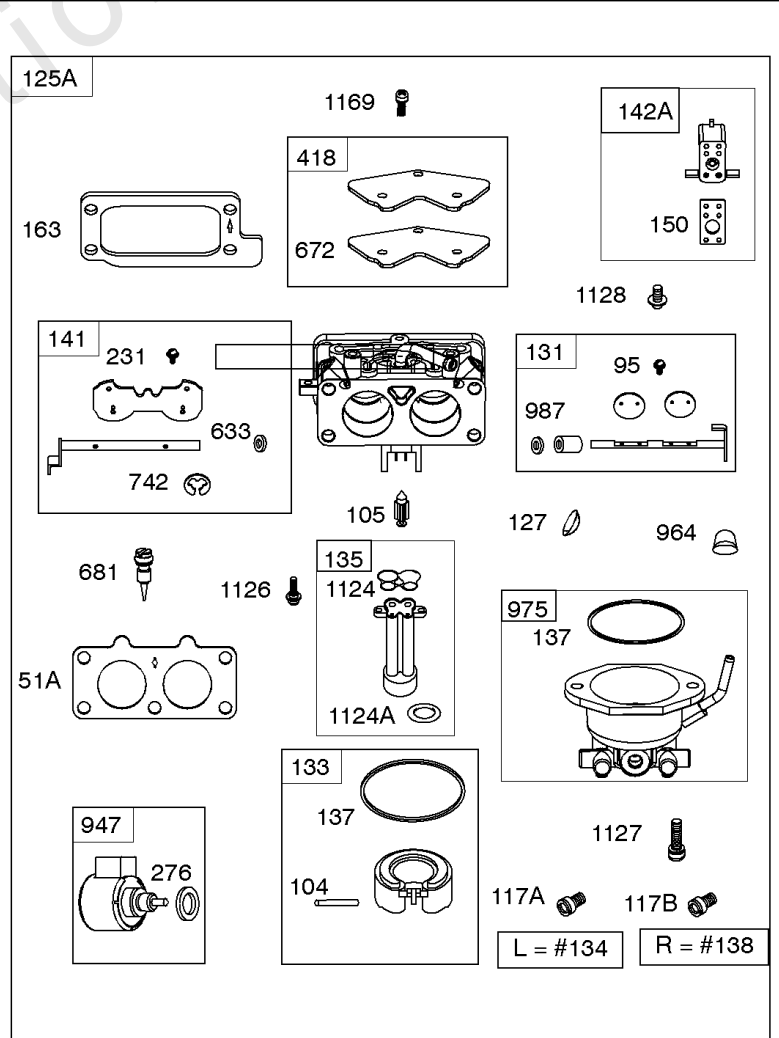
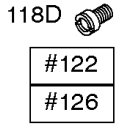
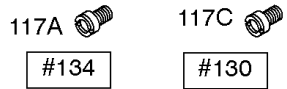
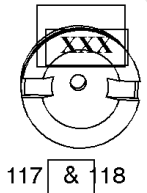
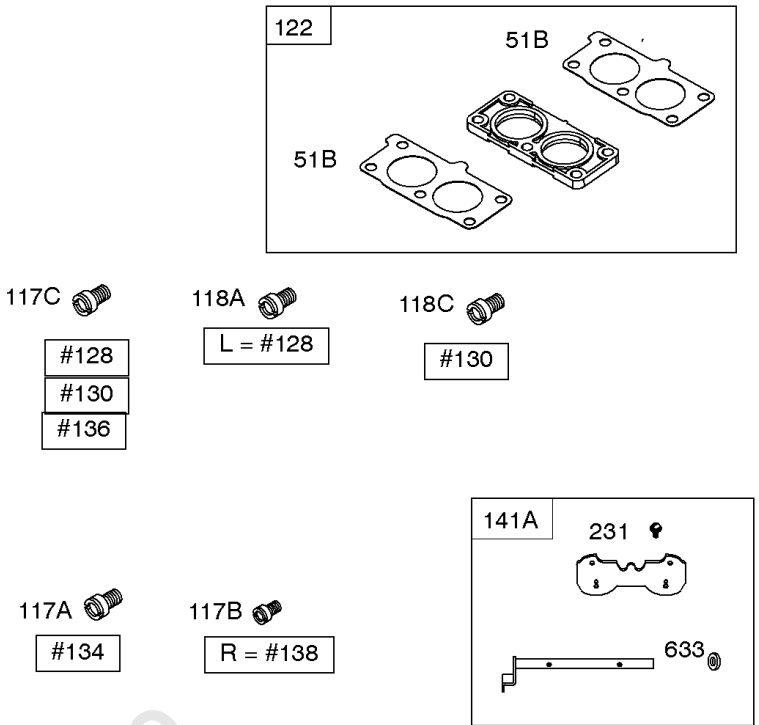
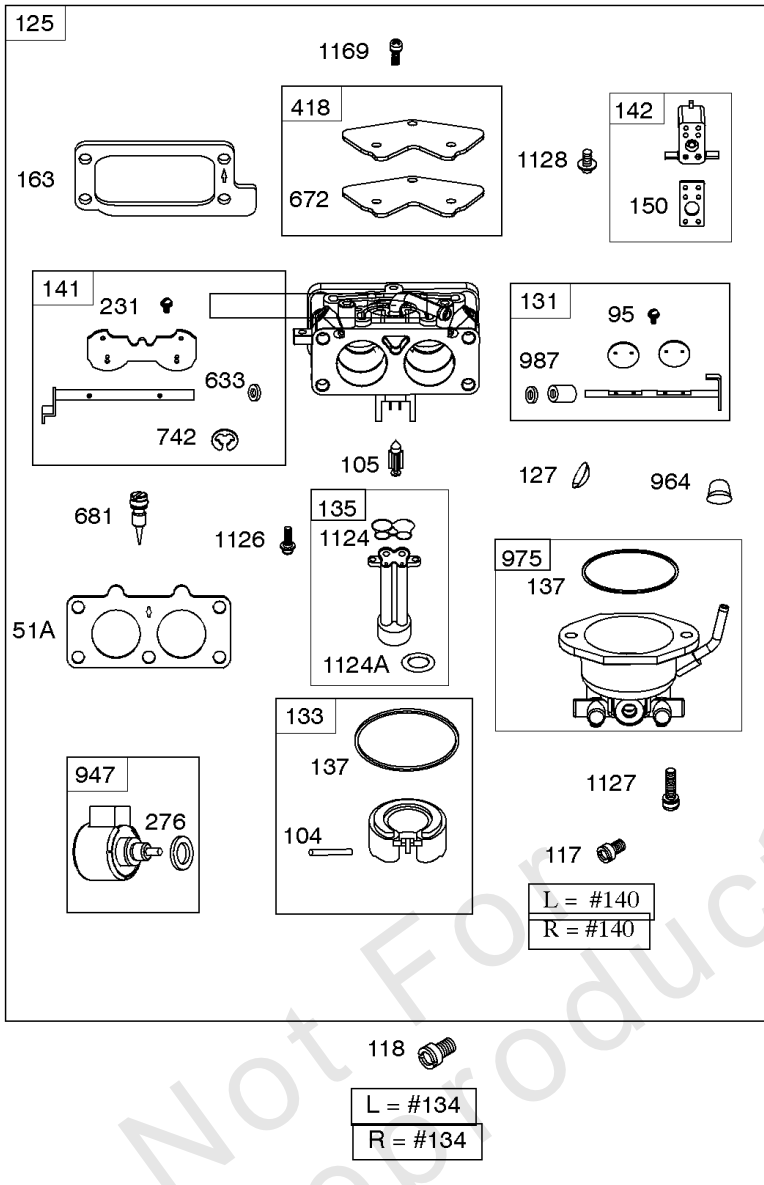
Carburetor Overhaul Kit, Engine/Valve Gasket Sets

| REF NO | PART NO | QTY | DESCRIPTION |
|--------|---------|-----|---|
| 3 | 841596 | | SEAL, Oil -(Magneto Side) |
| 7 | 809730 | | GASKET, Cylinder Head |
| 9 | 842545 | | GASKET, Breather |
| 20 | 841596 | | SEAL, Oil -(PTO Side) |
| 51 | 841592 | | GASKET, Intake |
| 51A | 809910 | | GASKET, Intake |
| 51B | 841882 | | GASKET, Intake |
| 104 | 690882 | | PIN, Float Hinge |
| 121 | 841548 | | KIT, Carburetor Overhaul |
| 133 | 841545 | | FLOAT, Carburetor |
| 135 | 841646 | | TUBE, Fuel Transfer |
| 137 | 841651 | | GASKET, Float Bowl |
| 142 | 699726 | | NOZZLE, Carburetor -Used After Code Date 11020800 |
| 142 | 841648 | | NOZZLE, Carburetor -Used Before Code Date 11020900 |
| 150 | 841649 | | GASKET, Nozzle |
| 163 | 807375 | | GASKET, Air Cleaner |
| 273 | 690681 | | SEAL, O-Ring -(Oil Pump) |
| 276 | 695410 | | WASHER, Sealing |
| 358 | 841122 | | GASKET SET, Engine |
| 404 | 809436 | | WASHER -(Governor Crank) |
| 439 | 692154 | | O-RING, Oil Gallery -(Crankcase Cover/Sump or Cylinder Assembly) |
| 468 | 690690 | | SEAL, O-Ring -(Oil Pump Screen) |
| 580 | 809894 | | SEAL, O-Ring -(Oil Fill Cap) |
| 633 | 690722 | | SEAL, Choke/Throttle Shaft -(Choke Shaft) |
| 672 | 841655 | | GASKET, Carburetor Plate |
| 691 | 809287 | | SEAL, Governor Shaft |
| 868 | 691963 | | SEAL, Valve |
| 883 | 809872 | | GASKET, Exhaust |
| 943 | 690681 | | SEAL, O-Ring -(Oil Pump Cover) |
| 987 | 808183 | | SEAL, Choke/Throttle Shaft |
| 1022 | 809732 | | GASKET, Rocker Cover |
| 1095 | 843713 | | GASKET SET, Valve |
| 1124 | 841647 | | SEAL, O-Ring -(Fuel Transfer Tube) |
| 1124A | 841653 | | SEAL, O-Ring -(Fuel Transfer Tube) |
| 1331 | 809894 | | SEAL, O-Ring -(Fuel Pump) (Fuel Pump) |
| 1400 | 809894 | | SEAL, O-Ring -(Fuel Pump Cover) |



Carburetors, Carburetor Spacer

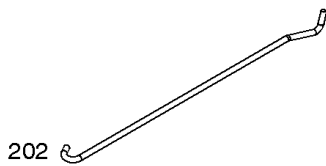
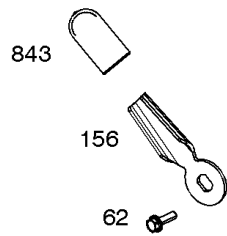
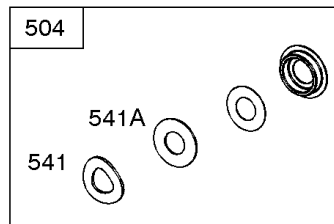
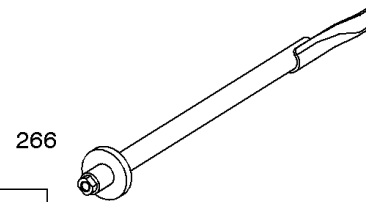
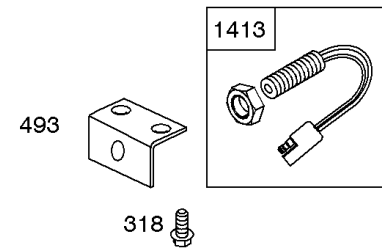
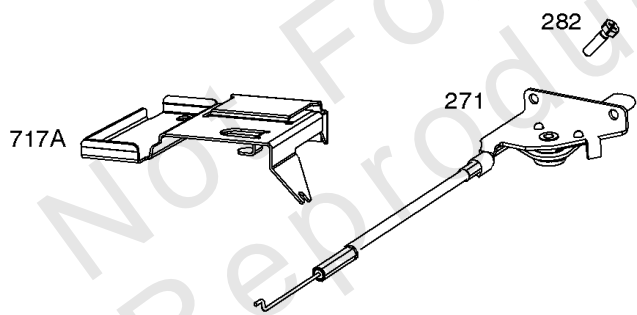
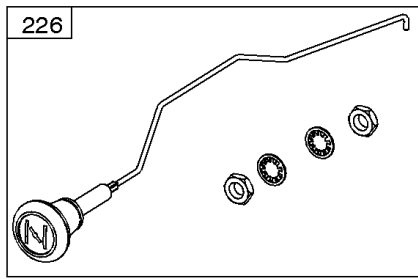
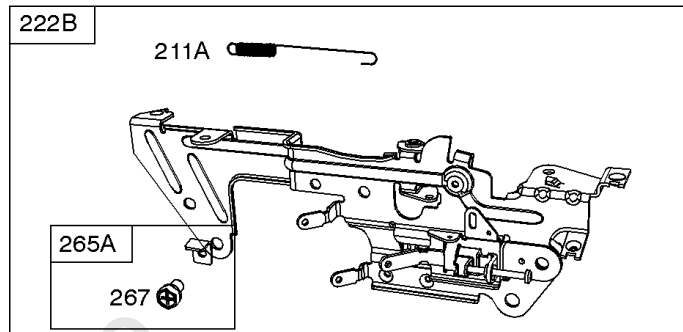
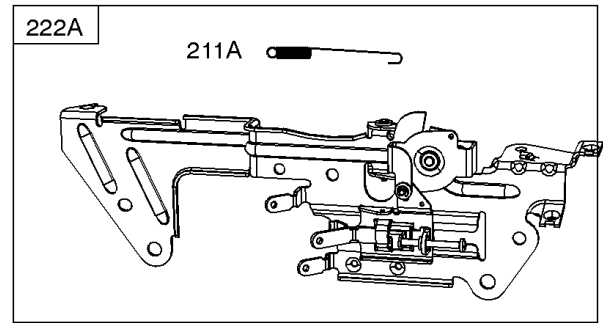
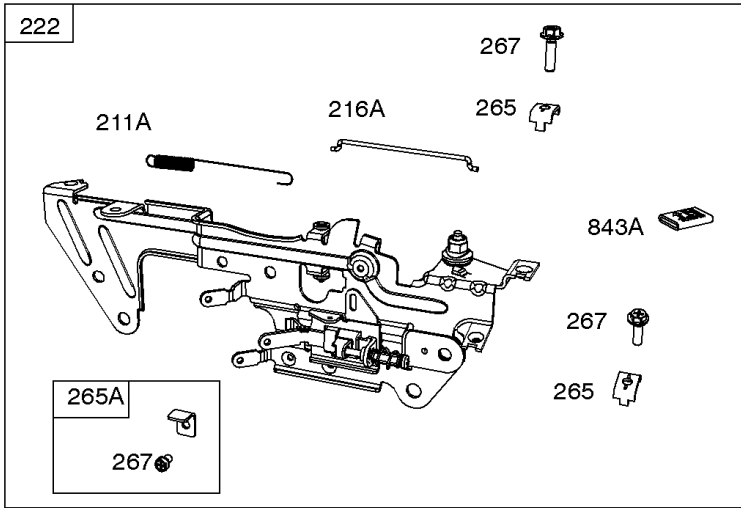
| REF NO | PART NO | QTY | DESCRIPTION |
|--------|---------|-----|---|
| 51A | 809910 | | GASKET, Intake |
| 51B | 841882 | | GASKET, Intake |
| 95 | 690718 | | SCREW -(Throttle Valve) |
| 104 | 690882 | | PIN, Float Hinge |
| 105 | 698537 | | VALVE, Float Needle |
| 117 | 845289 | | JET, Main -(Standard) (Left and Right Jet) (#140) |
| 117A | 842012 | | JET, Main -(Standard) (Left Jet) (#134) |
| 117B | 842634 | | JET, Main -(Standard) (Right Jet) (#138) |
| 117C | 842633 | | JET, Main -(Standard) (#136) |
| 117C | 842629 | | JET, Main -(Standard) (#130) |
| 118 | 842012 | | JET, Main -(High Altitude) (Left and Right Jet) (#134) |
| 118A | 842139 | | JET, Main -(High Altitude) (Left Jet) (#128) |
| 118B | 842630 | | JET, Main -(High Altitude) (Right Jet) (#132) |
| 118C | 842629 | | JET, Main -(High Altitude) (Left Jet) (#130) |
| 118D | 842627 | | JET, Main -(High Altitude) (Right Jet) (#122) |
| 118D | 842082 | | JET, Main -(High Altitude) (Left Jet) (#126) |
| 122 | 846245 | | SPACER, Carburetor |
| 125 | 845277 | | CARBURETOR |
| 127 | 844590 | | PLUG, Welch |
| 131 | 843562 | | KIT, Throttle Shaft |
| 133 | 841545 | | FLOAT, Carburetor |
| 135 | 841646 | | TUBE, Fuel Transfer |
| 137 | 841651 | | GASKET, Float Bowl |
| 141 | 844733 | | KIT, Choke Shaft -Used After Code Date 10043000 |
| 141A | 841549 | | KIT, Choke Shaft -Used Before Code Date 10050100 |
| 142 | 841648 | | NOZZLE, Carburetor -Used Before Code Date 11020900 |
| 142 | 699726 | | NOZZLE, Carburetor -Used After Code Date 11020800 |
| 150 | 841649 | | GASKET, Nozzle |
| 163 | 807375 | | GASKET, Air Cleaner |
| 231 | 690718 | | SCREW -(Choke Valve) |
| 276 | 695410 | | WASHER, Sealing |
| 418 | 843346 | | PLATE, Carburetor Cover |
| 633 | 690722 | | SEAL, Choke/Throttle Shaft -(Choke Shaft) |
| 672 | 841655 | | GASKET, Carburetor Plate |
| 681 | 845290 | | KIT, Needle Valve |
| 742 | 807001 | | RETAINER, E Ring |
| 947 | 841546 | | SOLENOID, Fuel |
| 964 | 807468 | | CAP, Carburetor -(Carburetor) |



Carburetors, Carburetor Spacer

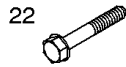
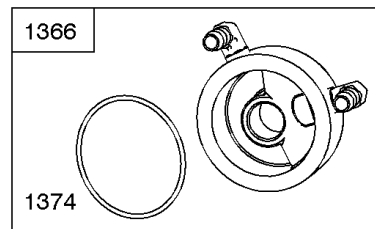
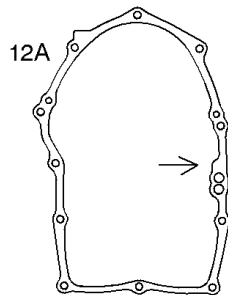
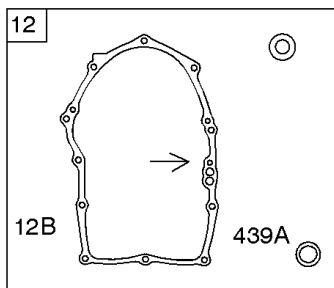
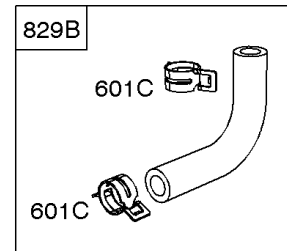
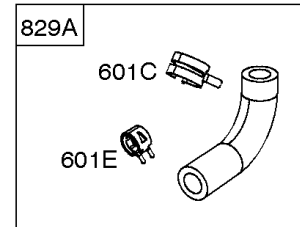
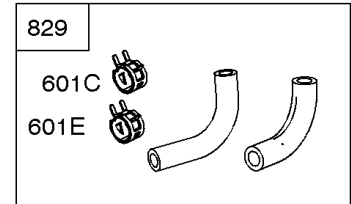
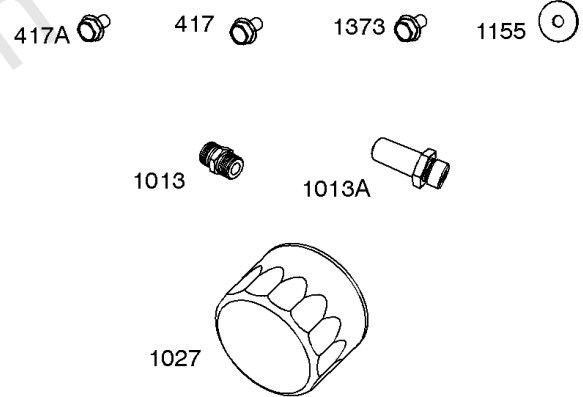
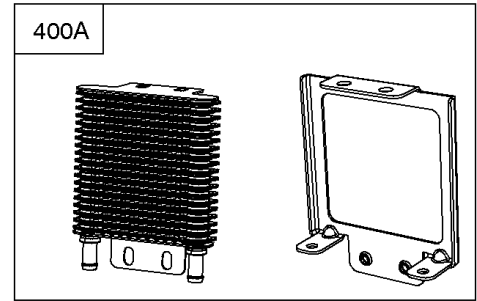
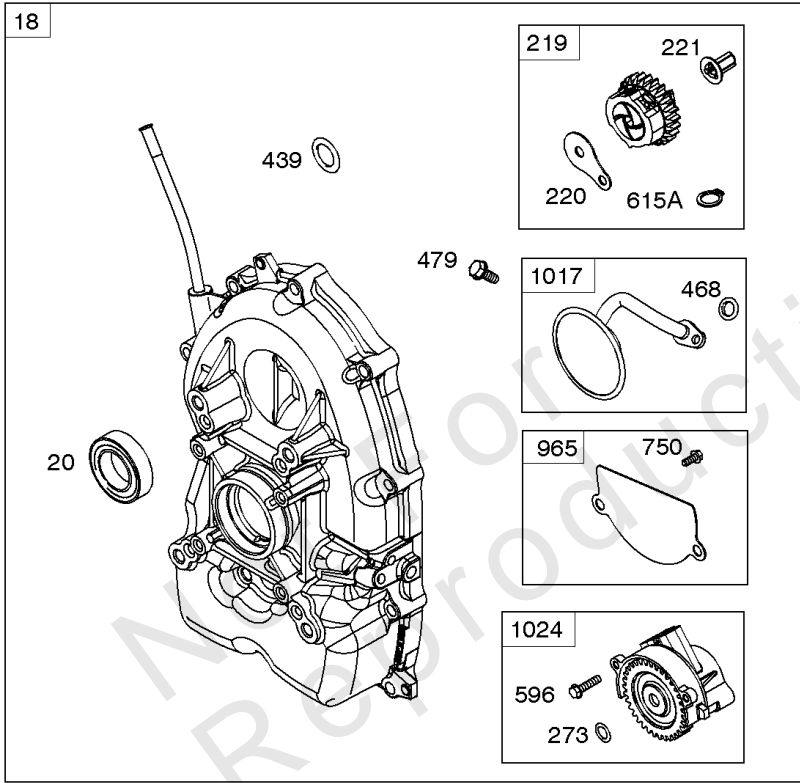
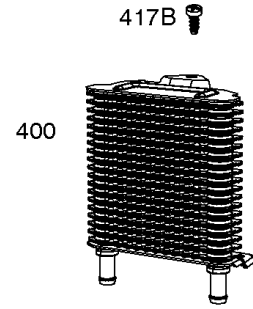
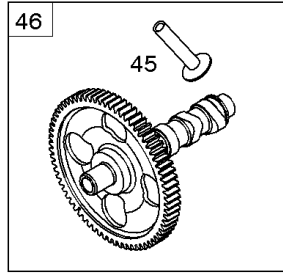
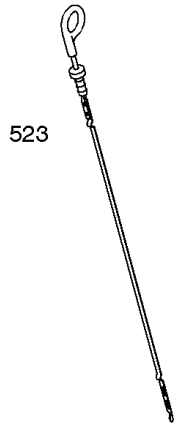
| REF NO | PART NO | QTY | DESCRIPTION |
|--------|---------|-----|---|
| 975 | 841650 | | BOWL, Float |
| 987 | 808183 | | SEAL, Choke/Throttle Shaft |
| 1124 | 841647 | | SEAL, O-Ring -(Fuel Transfer Tube) |
| 1124A | 841653 | | SEAL, O-Ring -(Fuel Transfer Tube) |
| 1126 | 841619 | | SCREW -(Fuel Transfer Tube) |
| 1127 | 841621 | | SCREW -(Float Bowl to Carburetor Body) |
| 1128 | 690990 | | SCREW -(Carburetor Nozzle) |
| 1169 | 690990 | | SCREW -(Carburetor Cover Plate) |

Not For Reproduction



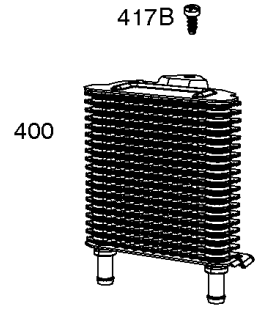
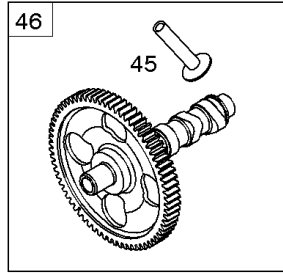
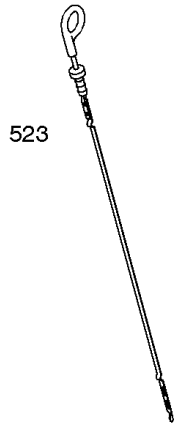
Control Brackets, Springs, Throttle Rod

| REF NO | PART NO | QTY | DESCRIPTION |
|--------|---------|-----|--|
| 62 | 841233 | | SCREW -(Speed Adjuster Lever) (M6x10mm) |
| 156 | 841522 | | LEVER, Control |
| 188 | 841233 | | SCREW -(Control Bracket) |
| 202 | 841322 | | LINK, Mechanical Governor |
| 209 | 841012 | | SPRING, Governor -(Yellow) |
| 211 | 809875 | | SPRING, Governed Idle -(White) |
| 211A | 690707 | | SPRING, Governed Idle -(Control Bracket) (White) |
| 216 | 809788 | | LINK, Choke |
| 222A | 841527 | | BRACKET, Control -Used Before Code Date 10060100 |
| 222B | 841528 | | BRACKET, Control -Used After Code Date 10053100 |
| 226 | 841613 | | ROD, Choke |
| 232 | 690545 | | SPRING/LINK, Governor |
| 265 | 691024 | | CLAMP, Casing |
| 265A | 841673 | | CLAMP, Casing |
| 266 | 841521 | | CONTROL, Throttle -Used Before Code Date 10060100 |
| 267 | 841552 | | SCREW -(Casing Clamp) (M5x20mm) |
| 271 | 692541 | | LEVER, Control |
| 282 | 841552 | | SCREW -(Control Lever) (M6x10mm) |
| 318 | 841233 | | SCREW -(Mounting Bracket) (Speed Sensor) |
| 493 | 842713 | | BRACKET, Mounting -(Speed Sensor) |
| 504 | 846156 | | WASHER -(Speed Adjuster Lever) |
| 541 | 841526 | | WASHER -(Speed Adjuster Lever) (Wave Washer) |
| 541A | 841525 | | WASHER -(Speed Adjuster Lever) (Flat Washer) |
| 561 | 690713 | | NUT -(Control Lever) |
| 717A | 842730 | | BRACKET, Air Cleaner |
| 843 | 842745 | | SLEEVE, Lever -(Speed Adjuster Lever) |
| 843A | 809672 | | SLEEVE, Lever -(Control Bracket) |

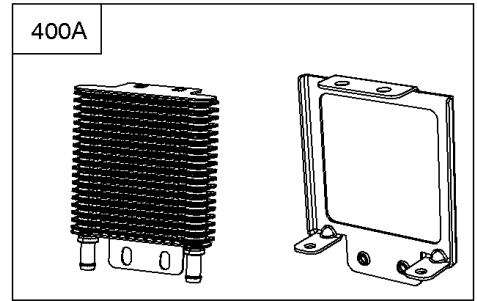


Crankcase Cover, Oil Cooler, Camshaft

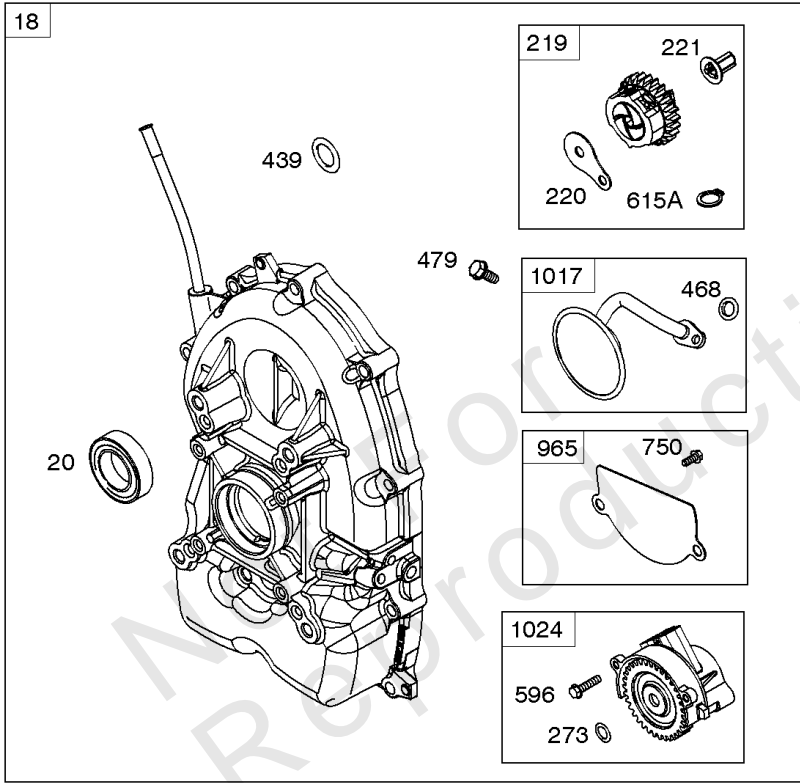
| REF NO | PART NO | QTY | DESCRIPTION |
|--------|---------|-----|---|
| 12 | 846037 | | GASKET, Crankcase -Used After Code Date 13072100 |
| 12A | 844107 | | GASKET, Crankcase -Used Before Code Date 13072200 |
| 12B | 843969 | | GASKET, Crankcase -Used After Code Date 13072100 |
| 18 | 844792 | | COVER, Crankcase |
| 20 | 841596 | | SEAL, Oil -(PTO Side) |
| 22 | 807362 | | SCREW -(Crankcase Cover/Sump) (M8x50mm) |
| 45 | 809785 | | TAPPET, Valve |
| 46 | 809879 | | CAMSHAFT |
| 219 | 809426 | | GEAR, Governor |
| 220 | 841608 | | WASHER -(Governor Gear) |
| 221 | 841026 | | CUP, Governor |
| 273 | 690681 | | SEAL, O-Ring -(Oil Pump) |
| 417 | 841233 | | SCREW -(Oil Cooler) (M6x10mm) -Used After Code Date 14072600 |
| 417A | 843345 | | SCREW -(Oil Cooler) (M6x8mm) -Used Before Code Date 14072700 |
| 417B | 846250 | | SCREW -(Oil Cooler) (M6x16mm) -Used After Code Date 14052200 |
| 439 | 692154 | | O-RING, Oil Gallery -(Crankcase Cover/Sump or Cylinder Assembly) |
| 439A | 846027 | | O-RING, Oil Gallery -(Crankcase Cover/Sump or Cylinder Assembly) -Used After Code Date 13072100 |
| 468 | 690690 | | SEAL, O-Ring -(Oil Pump Screen) |
| 479 | 807084 | | SCREW -(Oil Pump Screen) |
| 523 | 841007 | | DIPSTICK |
| 596 | 691492 | | SCREW -(Oil Pump) |
| 601C | 841597 | | CLAMP, Hose -(Oil Cooler Hose) |
| 601E | 845209 | | CLAMP, Hose -(Oil Cooler Hose) |
| 615A | 698290 | | RETAINER, Governor Shaft -(Governor Gear) |
| 750 | 841233 | | SCREW -(Oil Pump Cover) |
| 829 | 846155 | | HOSE, Oil Cooler |
| 829A | 846247 | | HOSE, Oil Cooler -Used After Code Date 14052200 |
| 829B | 846248 | | HOSE, Oil Cooler -Used After Code Date 14052200 |
| 965 | 809422 | | COVER, Oil Pump |
| 1013 | 809505 | | NIPPLE, Oil Filter |
| 1013A | 841602 | | NIPPLE, Oil Filter |
| 1017 | 809421 | | SCREEN, Oil Pump |
| 1024 | 845983 | | PUMP, Oil |



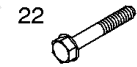
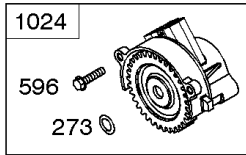
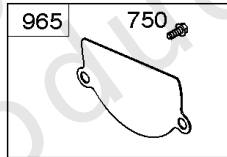
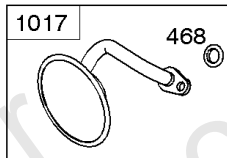
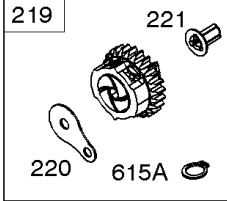
417B



400A

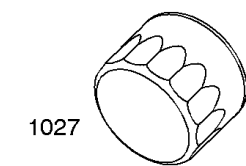
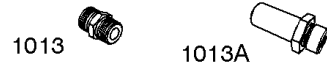


18

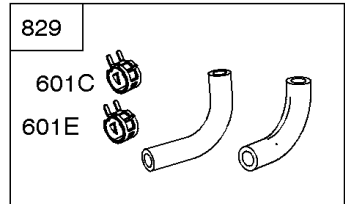


22

417A 417 1373 1155

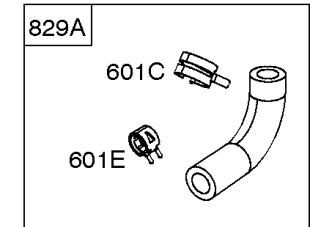


1027



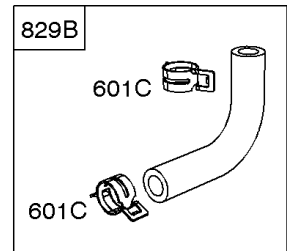
829

601C
601E



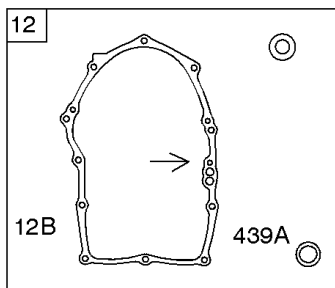
829A

601C
601E



829B

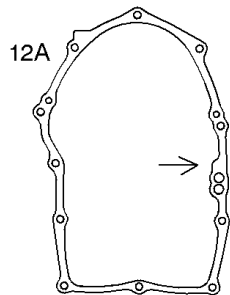
601C
601C



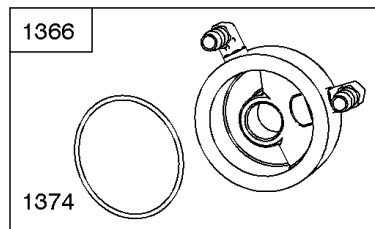
12

12B

439A



12A



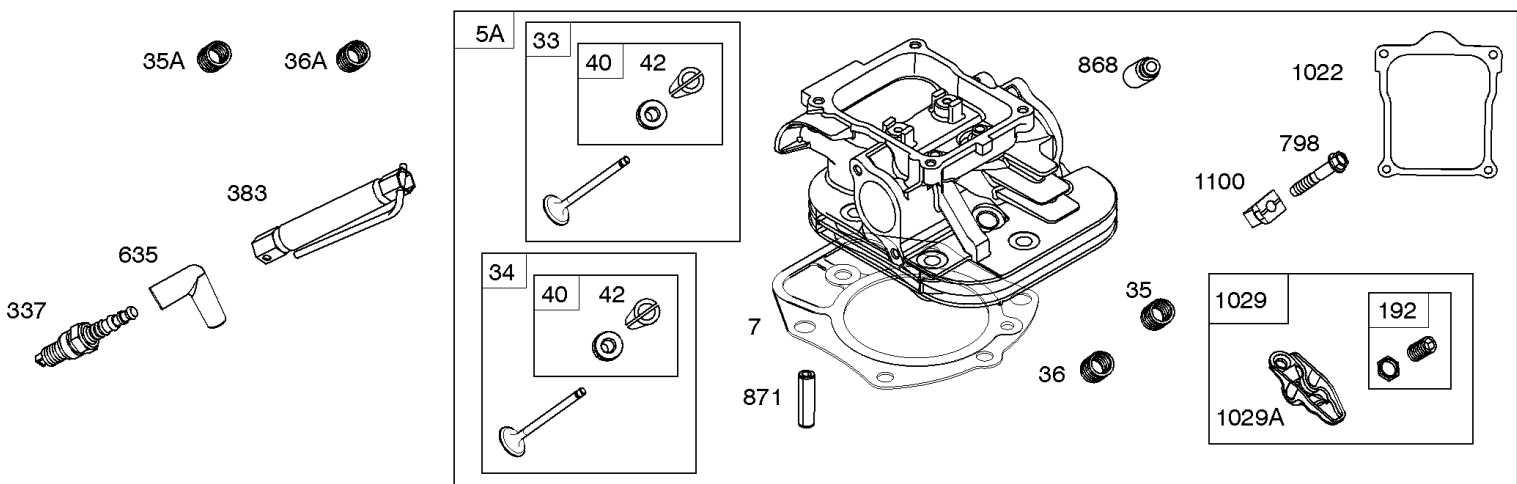
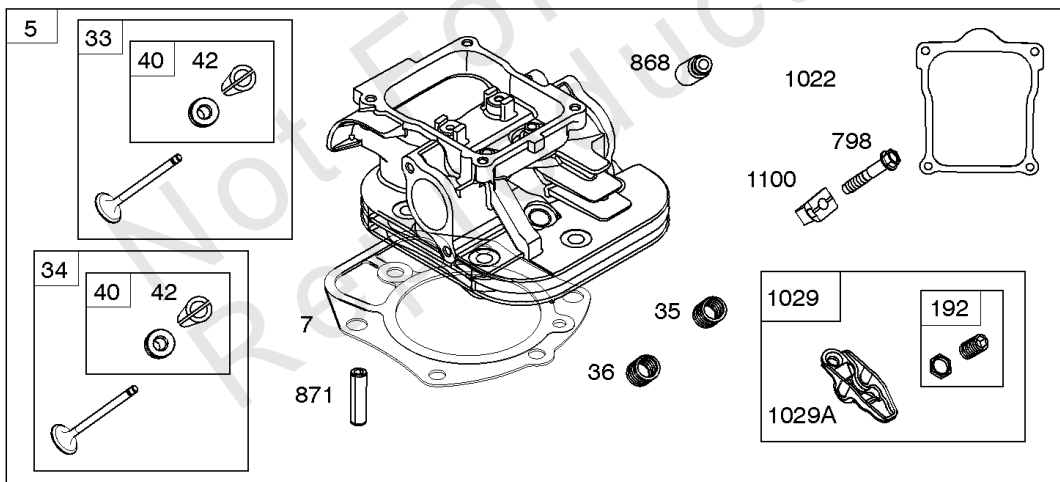
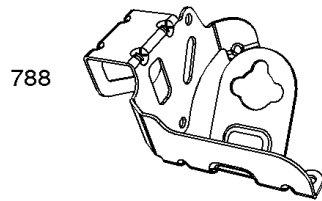
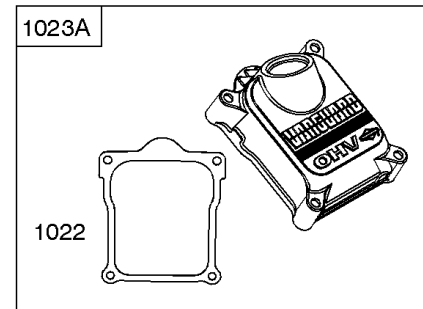
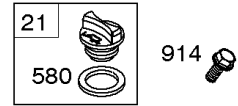
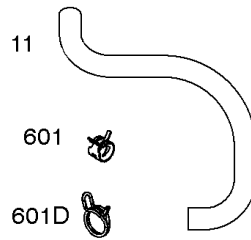
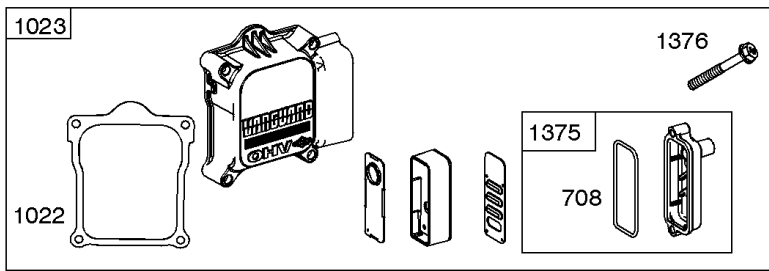
1366

1374

Crankcase Cover, Oil Cooler, Camshaft

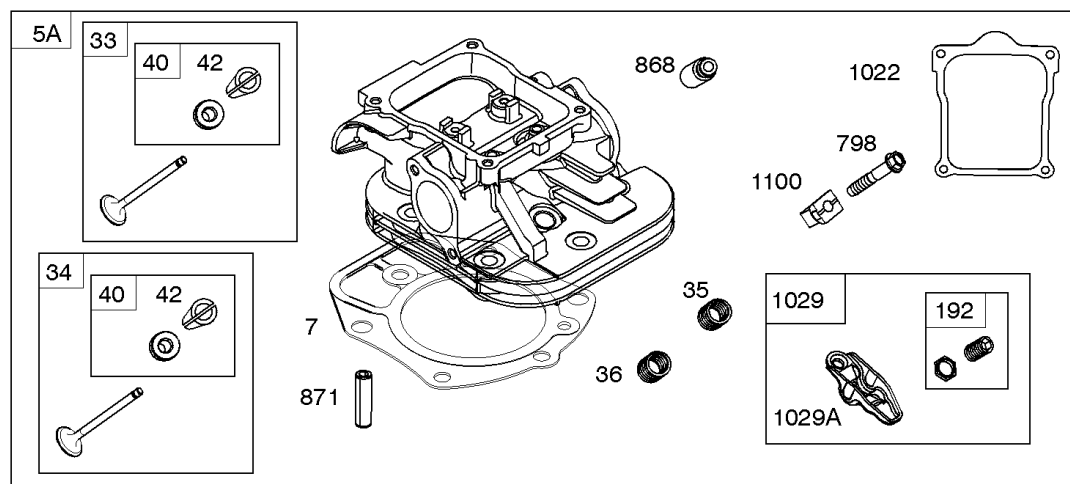
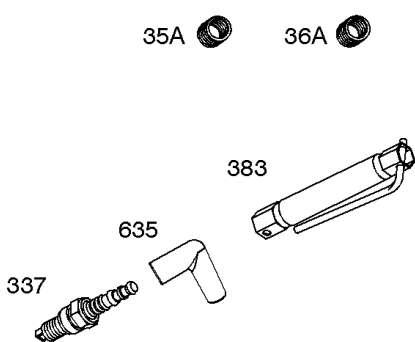
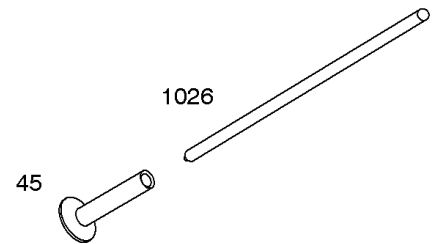
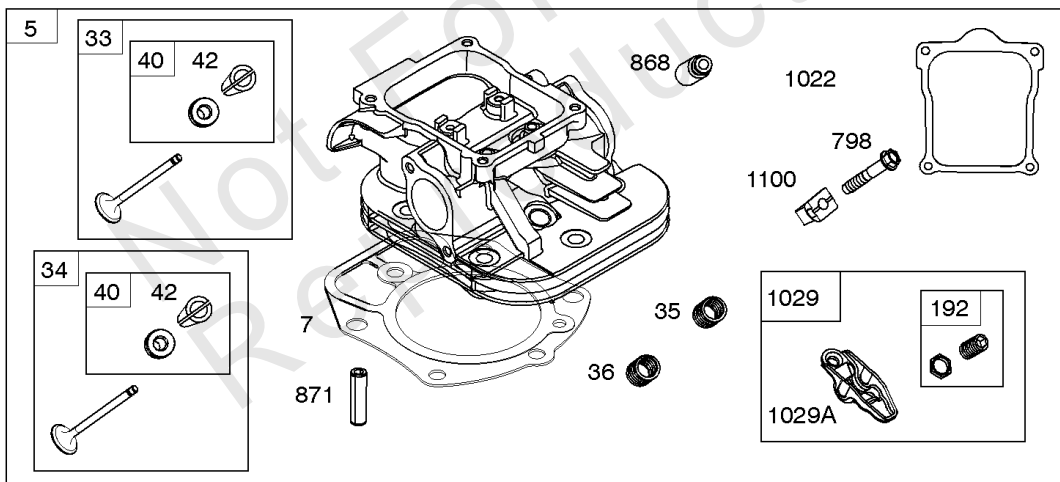
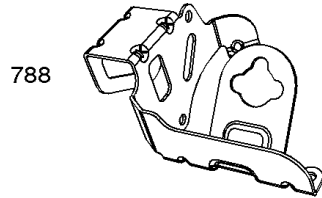
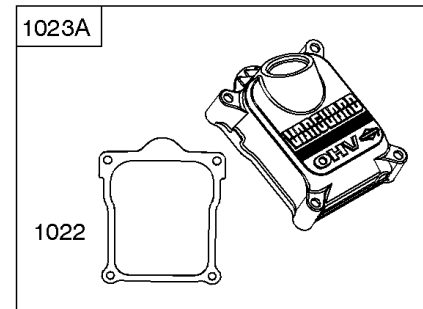
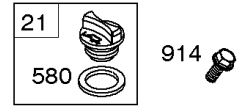
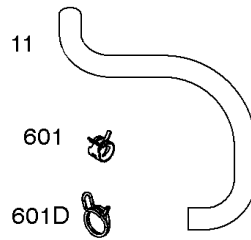
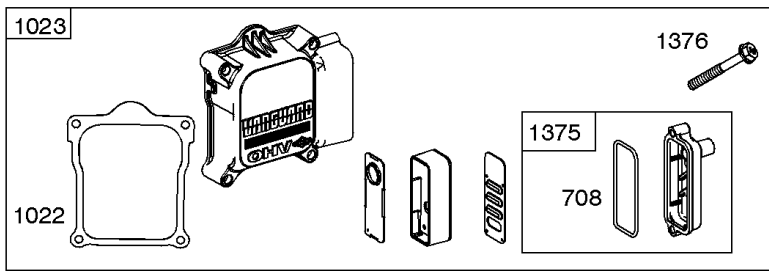
| REF NO | PART NO | QTY | DESCRIPTION |
|--------|---------|-----|--|
| 1027 | 842921 | | FILTER, Oil |
| 1155 | 806647 | | WASHER -(Oil Cooler) -Used Before Code Date 13072700 |
| 1366 | 841510 | | DIVERTER, Oil Cooler |
| 1373 | 841233 | | SCREW -(Oil Cooler Bracket) |
| 1374 | 841506 | | SEAL, O-Ring -(Oil Cooler Diverter) |

Not For Reproduction



Cylinder Heads, Rocker Covers

| REF NO | PART NO | QTY | DESCRIPTION |
|--------|---------|-----|--|
| 5 | 845588 | | HEAD, Cylinder -(Cylinder 1) |
| 5A | 845590 | | HEAD, Cylinder -(Cylinder 2) |
| 7 | 809730 | | GASKET, Cylinder Head |
| 11 | 809736 | | TUBE, Breather |
| 13 | 809784 | | SCREW -(Cylinder Head) |
| 21 | 843464 | | CAP, Oil Fill |
| 33 | 844787 | | VALVE, Exhaust |
| 34 | 843730 | | VALVE, Intake |
| 35 | 845589 | | SPRING, Valve -(Intake) (Intake) (Pink) |
| 35A | 809374 | | SPRING, Valve -(Intake) (Intake) (White) |
| 36 | 845589 | | SPRING, Valve -(Exhaust) (Exhaust) (Pink) |
| 36A | 809374 | | SPRING, Valve -(Exhaust) (Exhaust) (White) |
| 40 | 844788 | | RETAINER, Valve |
| 42 | 807683 | | KEEPER, Valve |
| 45 | 809785 | | TAPPET, Valve |
| 192 | 690083 | | ADJUSTER, Rocker Arm |
| 337 | 792015 | | PLUG, Spark |
| 383 | 19576S | | WRENCH, Spark Plug |
| 580 | 809894 | | SEAL, O-Ring -(Oil Fill Cap) |
| 601 | 844405 | | CLAMP, Hose -(Breather Tube) -Used After Code Date 07121300 |
| 601D | 841499 | | CLAMP, Hose -(Breather Tube) -Used Before Code Date 07121400 |
| 635 | 692076 | | BOOT, Spark Plug |
| 708 | 841301 | | SEAL, O-Ring -(Breather Reed) |
| 788 | 844528 | | BRACKET, Fuel Pump |
| 798 | 691492 | | SCREW -(Rocker Arm) |
| 806 | 807357 | | SCREW -(Lifting Bracket) |
| 868 | 691963 | | SEAL, Valve |
| 871 | 692057 | | BUSHING, Valve Guide |
| 914 | 807357 | | SCREW -(Rocker Cover) |
| 1022 | 809732 | | GASKET, Rocker Cover |
| 1023 | 809789 | | COVER, Rocker -(Cylinder #2) |
| 1023A | 809731 | | COVER, Rocker -(Cylinder #1) |
| 1026 | 809783 | | ROD, Push -(Intake and Exhaust) |
| 1029 | 690972 | | ARM, Rocker |
| 1029A | 807323 | | ARM, Rocker |
| 1077 | 809729 | | BRACKET, Lifting |
| 1100 | 791959 | | PIVOT, Rocker Arm |
| 1375 | 841550 | | COVER, Breather Reed |



Cylinder Heads, Rocker Covers

| REF NO | PART NO | QTY | DESCRIPTION |
|--------|---------|-----|---------------------------------|
| 1376 | 806421 | | SCREW -(Breather Reed Cover) |

Not For Reproduction

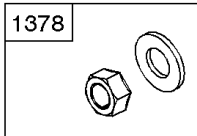
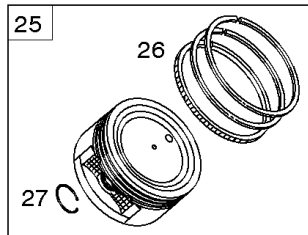
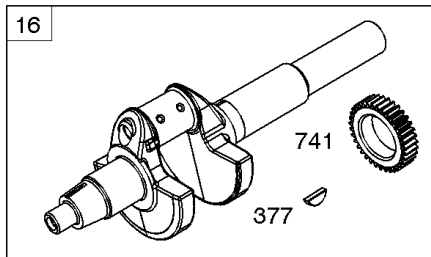
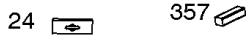
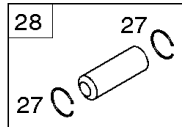
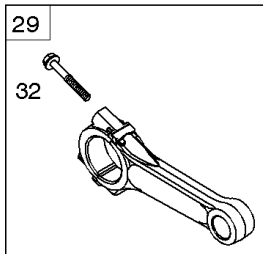
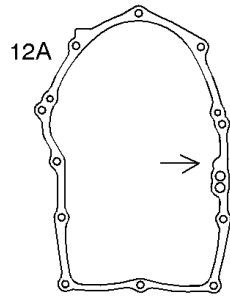
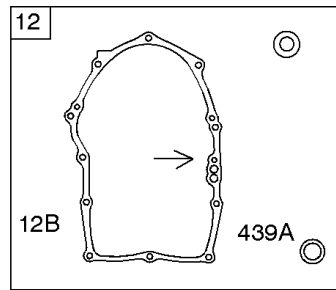
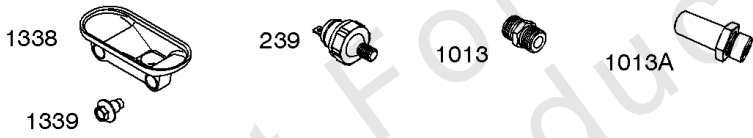
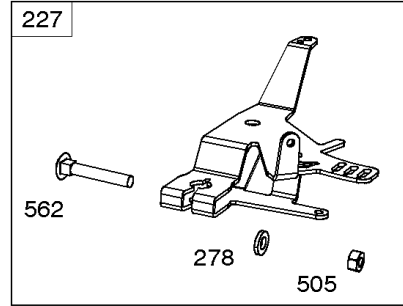
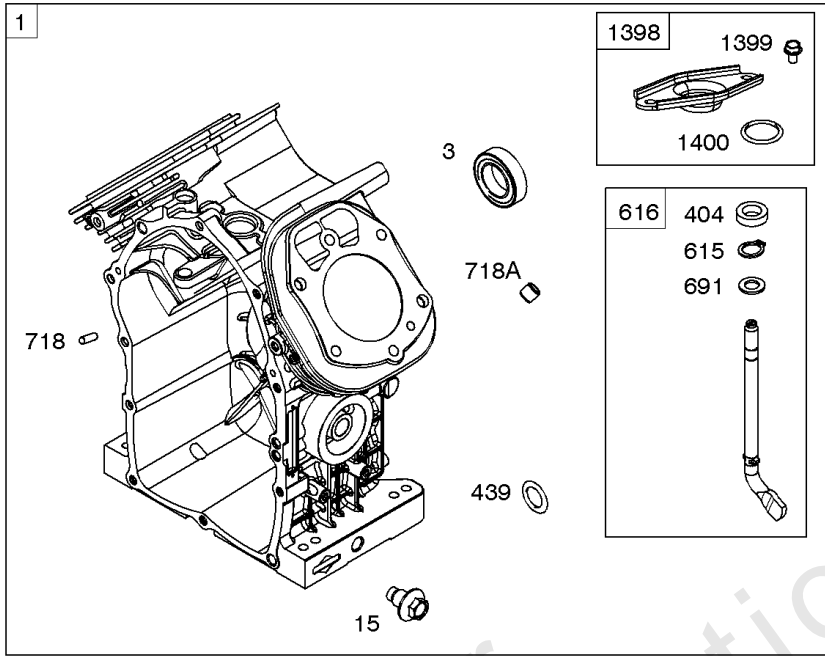
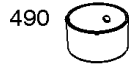
Cylinder, Piston/Rings/Connecting Rod, Crankshaft

Mfg. No: 541477-1112-J1

1036

1319

1330



Cylinder, Piston/Rings/Connecting Rod, Crankshaft

| REF NO | PART NO | QTY | DESCRIPTION |
|--------|---------|-----|---|
| 1 | 845756 | | CYLINDER ASSEMBLY |
| 3 | 841596 | | SEAL, Oil -(Magneto Side) |
| 12 | 846037 | | GASKET, Crankcase -Used After Code Date 13072100 |
| 12A | 844107 | | GASKET, Crankcase -Used Before Code Date 13072200 |
| 12B | 843969 | | GASKET, Crankcase -Used After Code Date 13072100 |
| 15 | 807392 | | PLUG, Oil Drain |
| 16 | 843290 | | CRANKSHAFT |
| 24 | 796335 | | KEY, Flywheel -(Steel) -Used After Code Date 07122700 |
| 24 | 222698S | | KEY, Flywheel -(Aluminum) -Used Before Code Date 07122800 |
| 25 | 809790 | | PISTON ASSEMBLY -(Standard) |
| 25 | 841931 | | PISTON ASSEMBLY -(.020 Oversize) |
| 26 | 809972 | | SET, Ring -(Standard) |
| 26 | 841932 | | SET, Ring -(.020 Oversize) |
| 27 | 807351 | | LOCK, Piston Pin |
| 28 | 807361 | | PIN, Piston |
| 29 | 809275 | | ROD, Connecting |
| 32 | 807363 | | SCREW -(Connecting Rod) |
| 227 | 809984 | | LEVER, Governor Control |
| 239 | 841281 | | SWITCH, Oil Pressure |
| 278 | 842122 | | WASHER -(Governor Control Lever) |
| 377 | 691639 | | KEY, Woodruff |
| 404 | 809436 | | WASHER -(Governor Crank) |
| 439 | 692154 | | O-RING, Oil Gallery -(Crankcase Cover/Sump or Cylinder Assembly) |
| 439A | 846027 | | O-RING, Oil Gallery -(Crankcase Cover/Sump or Cylinder Assembly) -Used After Code Date 13072100 |
| 490 | 843433 | | BEARING, Magneto Side |
| 505 | 844752 | | NUT -(Governor Control Lever) |
| 562 | 843344 | | BOLT -(Governor Lever) |
| 615 | 809533 | | RETAINER, Governor Shaft -(Governor Shaft) |
| 616 | 844180 | | CRANK, Governor |
| 691 | 809287 | | SEAL, Governor Shaft |
| 718 | 690959 | | PIN, Locating -(Cylinder) |
| 718A | 809508 | | PIN, Locating -(Cylinder Head) |
| 741 | 809432 | | GEAR, Timing |
| 1013 | 809505 | | NIPPLE, Oil Filter |
| 1013A | 841602 | | NIPPLE, Oil Filter |

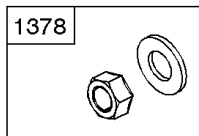
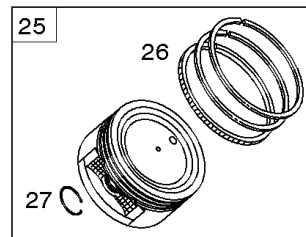
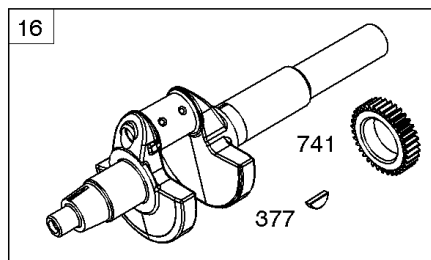
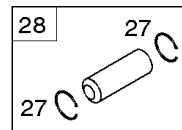
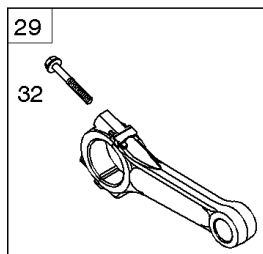
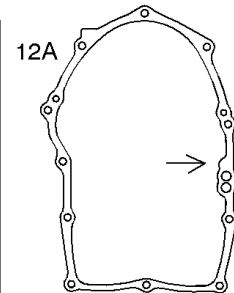
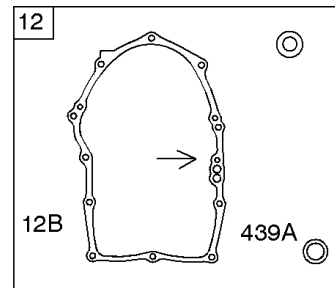
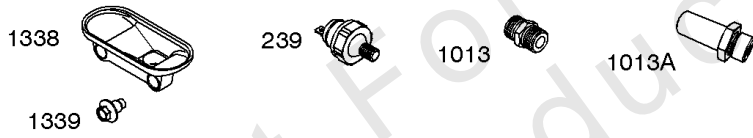
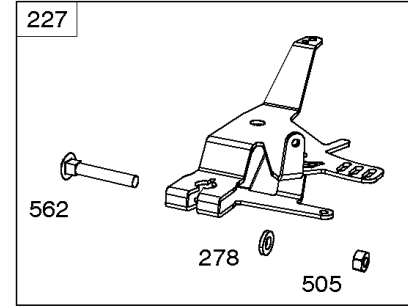
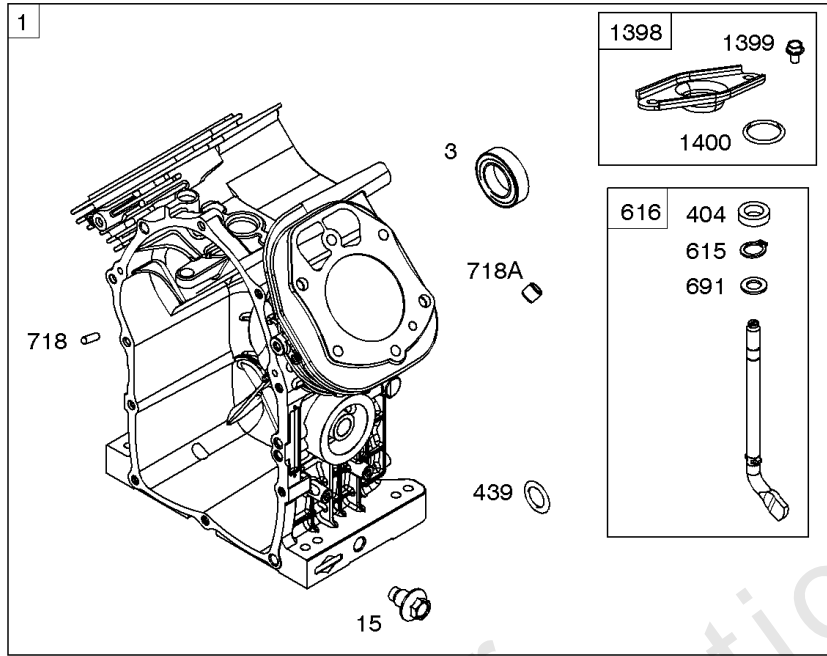
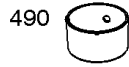
Cylinder, Piston/Rings/Connecting Rod, Crankshaft

Mfg. No: 541477-1112-J1

1036

1319

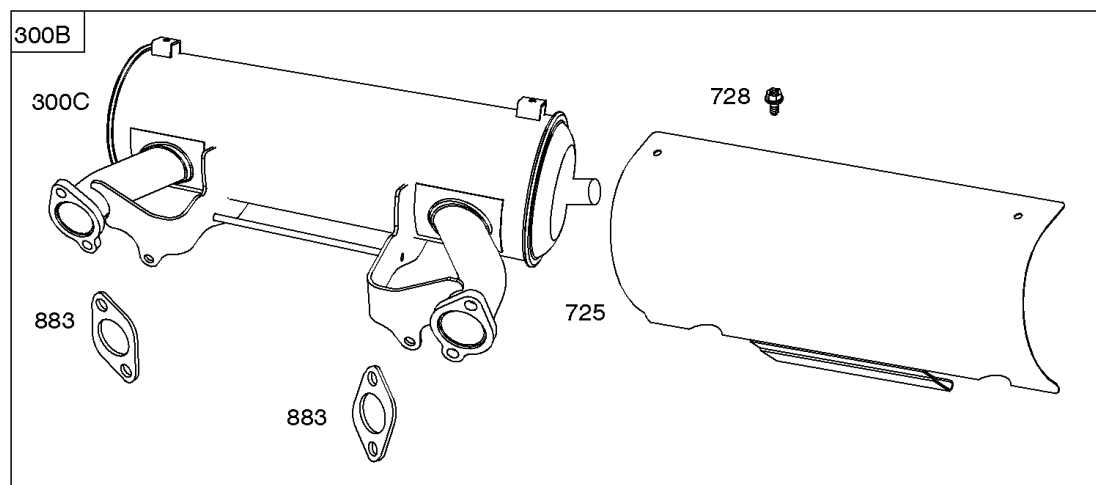
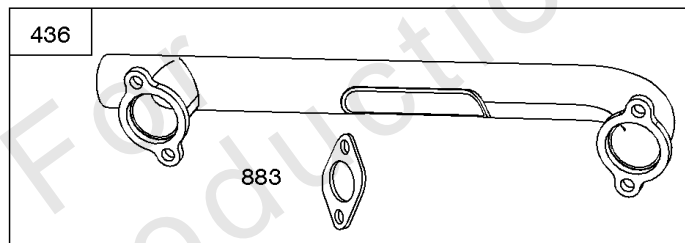
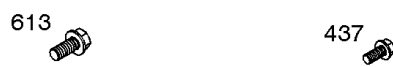
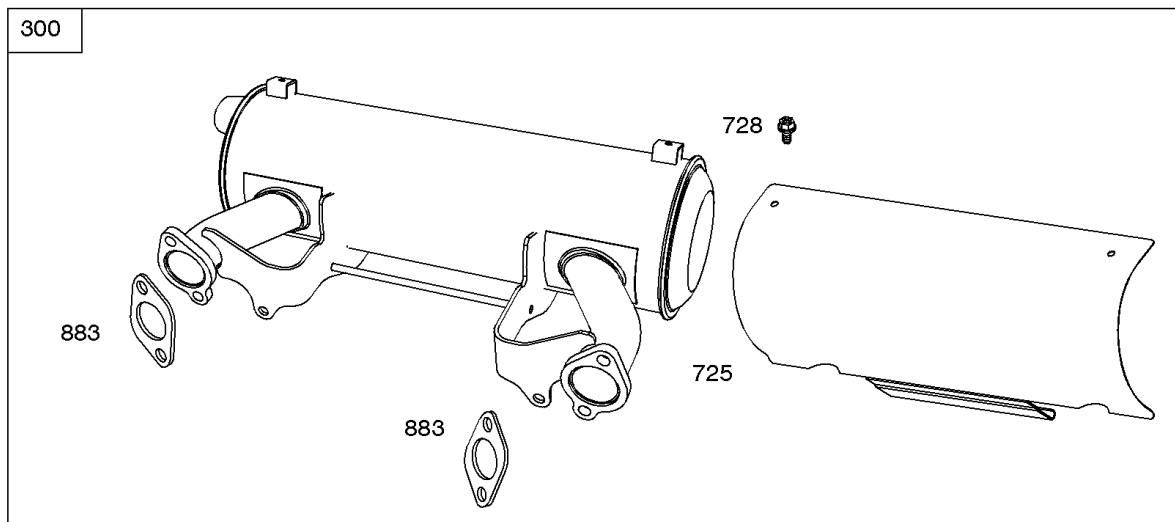
1330



Cylinder, Piston/Rings/Connecting Rod, Crankshaft

| REF NO | PART NO | QTY | DESCRIPTION |
|--------|---------|-----|---|
| 1027 | 842921 | | FILTER, Oil |
| 1036 | ----- | | LABEL, Emissions -(Available From A Briggs & Stratton Authorized Dealer) |
| 1319 | 794467 | | LABEL, Warning |
| 1330 | 272144 | | MANUAL, Repair |
| 1338 | 809334 | | TRAY, Oil Drip |
| 1339 | 807435 | | SCREW -(Oil Drip Tray) |
| 1398 | 842191 | | COVER, Fuel Pump |
| 1399 | 690932 | | SCREW -(Fuel Pump Cover) |
| 1400 | 809894 | | SEAL, O-Ring -(Fuel Pump Cover) |

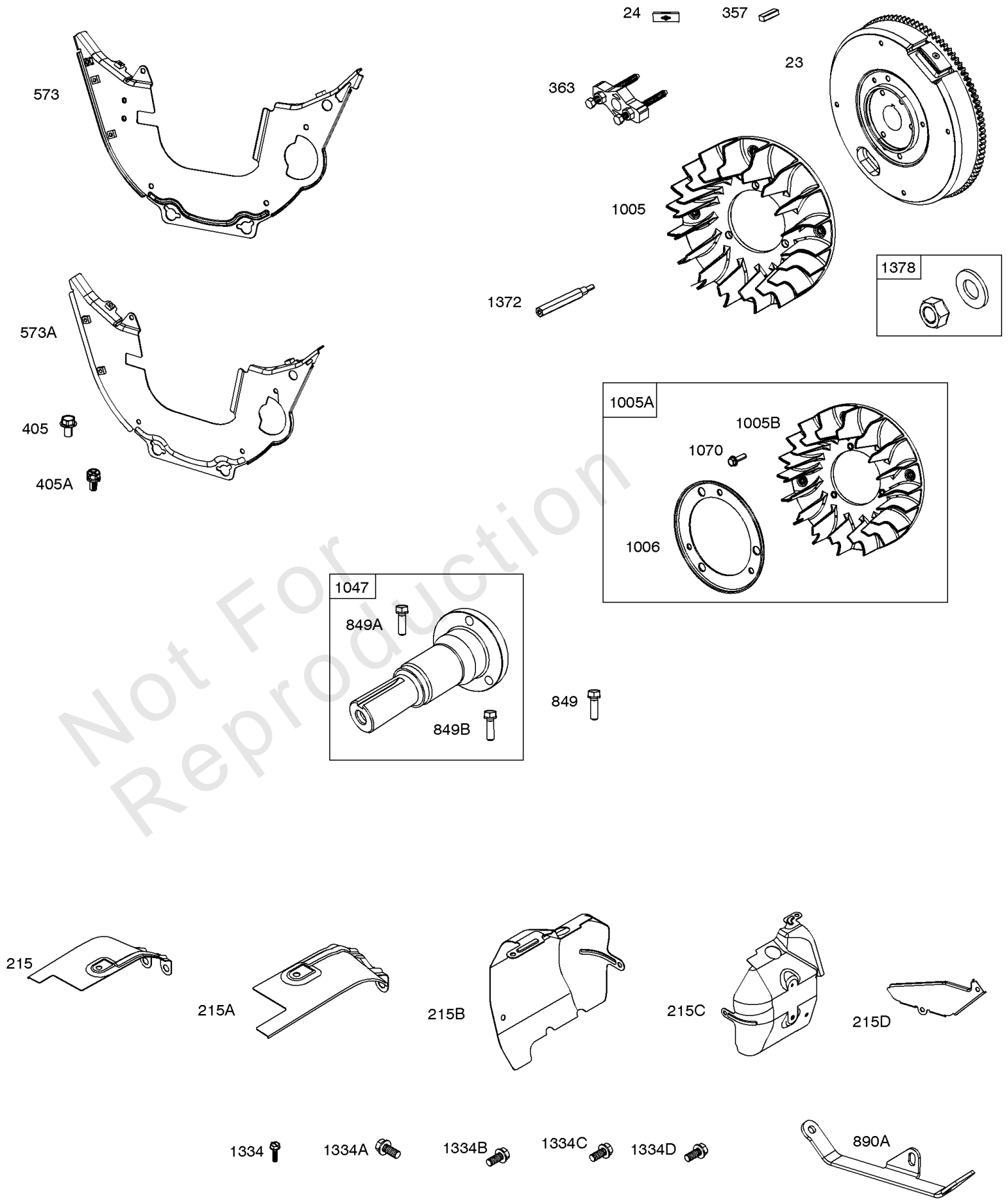
Not For Reproduction



Exhaust System

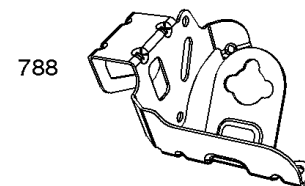
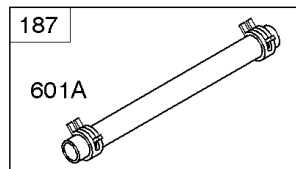
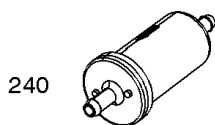
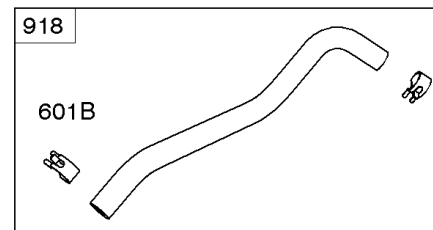
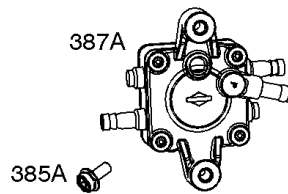
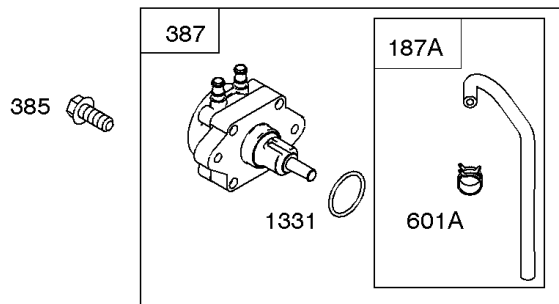
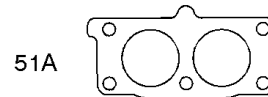
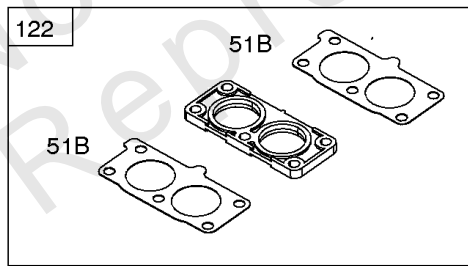
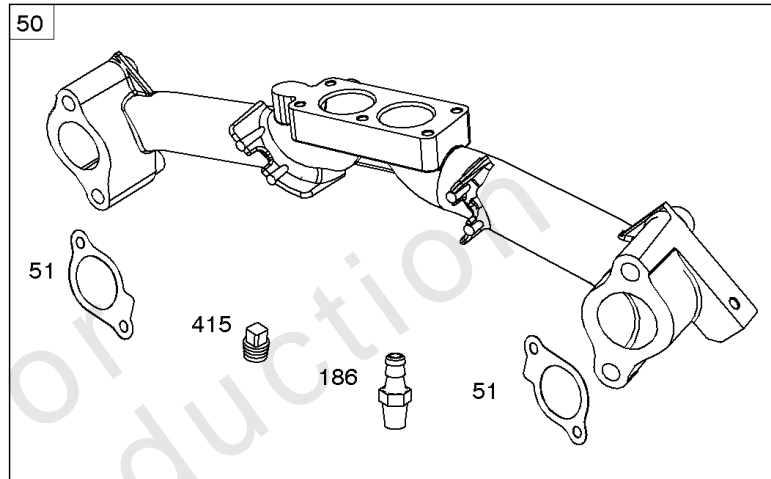
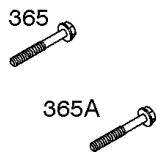
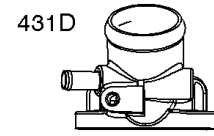
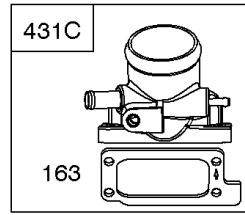
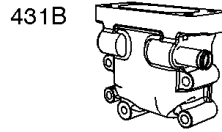
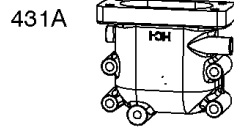
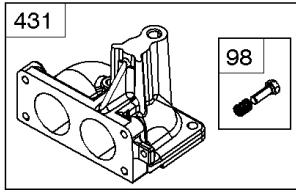
| REF NO | PART NO | QTY | DESCRIPTION |
|--------|---------|-----|--|
| 437 | 809743 | | SCREW -(Exhaust Manifold) (M8x18mm) |
| 613 | 692062 | | SCREW -(Muffler) (M8x25mm) |
| 725 | 841132 | | SHIELD, Heat |
| 728 | 692067 | | SCREW -(Heat Shield) |
| 883 | 809872 | | GASKET, Exhaust |

Not For Reproduction



Flywheel, Air Guides, Stub Shaft

| REF NO | PART NO | QTY | DESCRIPTION |
|--------|---------|-----|---|
| 23 | 844385 | | FLYWHEEL |
| 24 | 222698S | | KEY, Flywheel -(Aluminum) -Used Before Code Date 07122800 |
| 24 | 796335 | | KEY, Flywheel -(Steel) -Used After Code Date 07122700 |
| 215 | 809728 | | GUIDE, Air -(Cylinder 1) |
| 215A | 809737 | | GUIDE, Air -(Cylinder 2) |
| 215B | 809897 | | GUIDE, Air -(Cylinder #2) |
| 215C | 809738 | | GUIDE, Air -(Cylinder #1) |
| 215D | 809739 | | GUIDE, Air -(Valley) |
| 363 | 19203 | | PULLER, Flywheel |
| 405 | 841233 | | SCREW -(Back Plate) (M6x10mm) |
| 405A | 841735 | | SCREW -(Back Plate) (M6x14mm) -Used After Code Date 14121500 |
| 573A | 846840 | | PLATE, Back |
| 849 | 846236 | | SCREW -(Stub Shaft) (M8x34mm) -Used After Code Date 14112600 |
| 849A | 691088 | | SCREW -(Stub Shaft) (5/16-18x1.1) -Used Before Code Date 14112700 |
| 849B | 846235 | | SCREW -(Stub Shaft) (M8x28mm) -Used After Code Date 14112600 |
| 890A | 841614 | | BRACKET, Support |
| 1005 | 846996 | | FAN, Flywheel -Used After Code Date 15080600 |
| 1005A | 847199 | | FAN, Flywheel -Used Before Code Date 15080700 |
| 1005B | 846995 | | FAN, Flywheel -Used After Code Date 15080600 |
| 1006 | 847198 | | RETAINER, Fan |
| 1070 | 807435 | | SCREW -(Flywheel Fan) |
| 1334 | 807435 | | SCREW -(Air Guide) (M6x20mm) |
| 1334A | 841233 | | SCREW -(Air Guide) (M6x10mm) |
| 1334C | 690677 | | SCREW -(Air Guide) (M4x12mm) |
| 1334B | 692062 | | SCREW -(Air Guide) (M8x18mm) |
| 1334D | 807084 | | SCREW -(Air Guide) (M6x14mm) |
| 1372 | 809946 | | STUD -(Rotating Screen) |



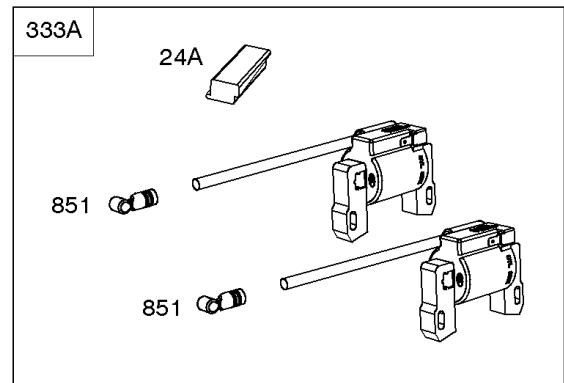
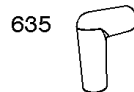
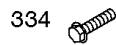
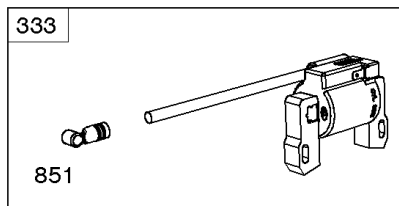
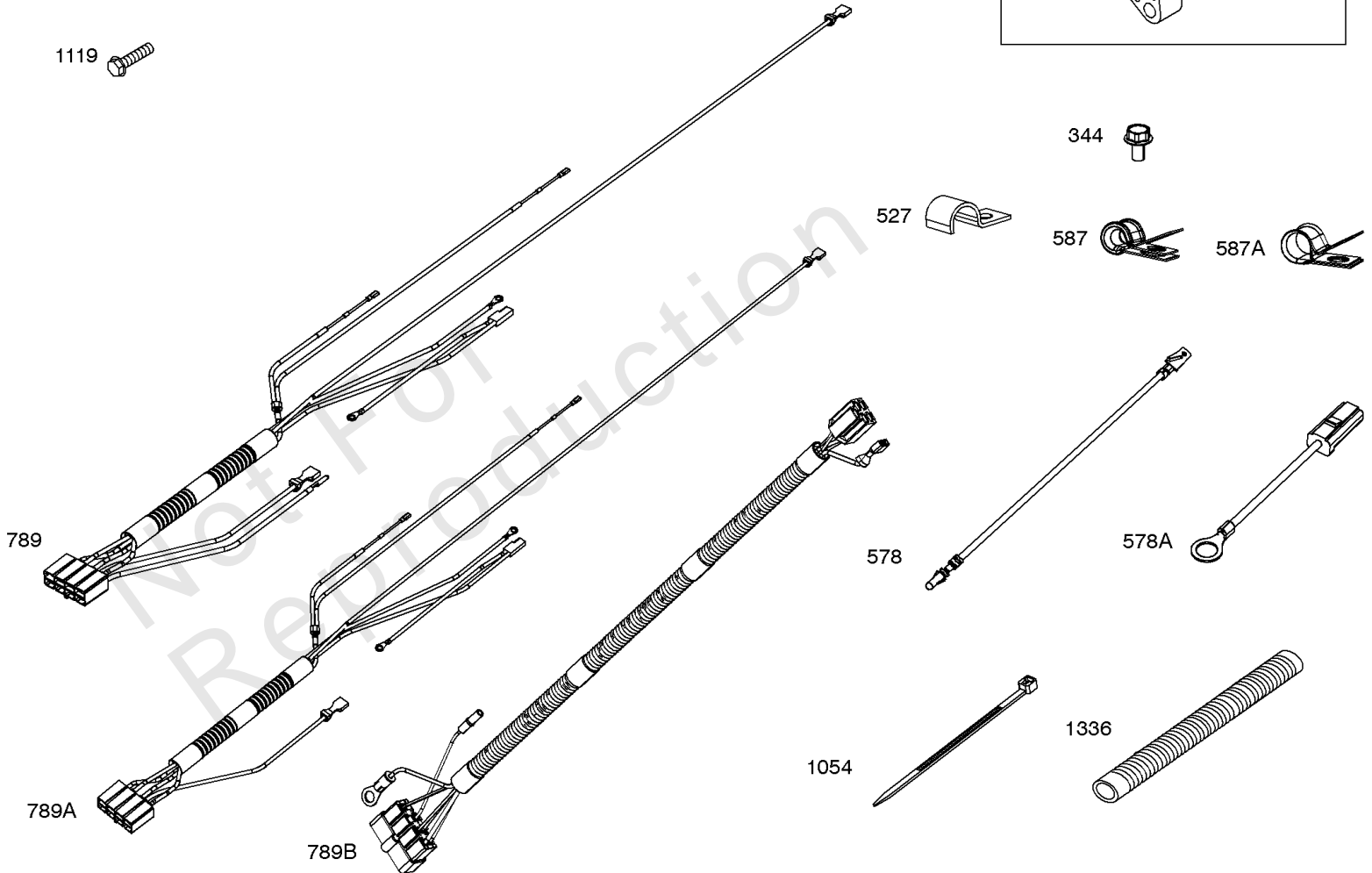
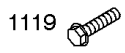
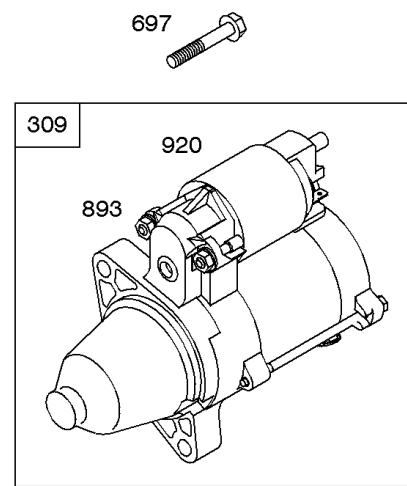
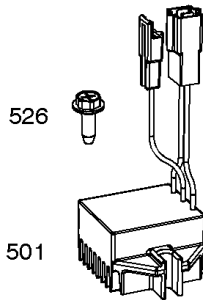
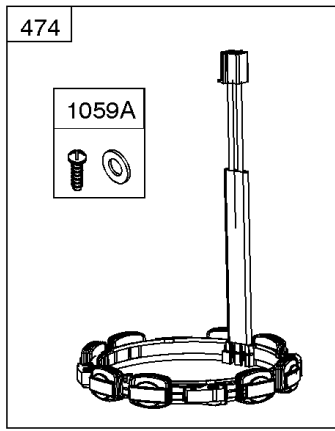
Intake Manifold, Intake Elbows, Fuel Supply

| REF NO | PART NO | QTY | DESCRIPTION |
|--------|---------|-----|---|
| 50 | 844340 | | MANIFOLD, Intake |
| 51 | 841592 | | GASKET, Intake |
| 51A | 809910 | | GASKET, Intake |
| 51B | 841882 | | GASKET, Intake |
| 54 | 844656 | | SCREW -(Intake Manifold) (M8x72mm) -Used After Code Date 10092900 |
| 98 | 841842 | | KIT, Idle Speed -(Intake Elbow) |
| 122 | 846245 | | SPACER, Carburetor |
| 163 | 807375 | | GASKET, Air Cleaner |
| 186 | 844568 | | CONNECTOR, Hose -(Intake Manifold) (Without Sealant Patch) |
| 186 | 691764 | | CONNECTOR-HOSE -(Intake Manifold) (Sealant Patch) |
| 187 | 791745 | | LINE, Fuel -(23 Inches)(Cut To Required Length) |
| 187 | 791766 | | LINE, Fuel -(15 Inches Long)(Cut to Required Length) |
| 187A | 844081 | | LINE, Fuel -(Formed Hose) |
| 240 | 845125 | | FILTER, Fuel |
| 290 | 809911 | | SCREW -(Intake Elbow) (M6x55mm) |
| 290A | 807421 | | SCREW -(Intake Elbow) (M6x25mm) |
| 365 | 807437 | | SCREW -(Carburetor/Throttle Body) (M6x85mm) |
| 365A | 841853 | | SCREW -(Carburetor/Throttle Body) (M6x103mm) |
| 385 | 809876 | | SCREW -(Fuel Pump) (M5x22mm) |
| 385A | 807084 | | SCREW -(Fuel Pump) (M6x14mm) |
| 387 | 844086 | | PUMP, Fuel |
| 387A | 844527 | | PUMP, Fuel |
| 415 | 794903 | | PLUG |
| 431 | 841539 | | ELBOW, Intake |
| 431A | 843116 | | ELBOW, Intake -Used After Code Date 06062200 |
| 431D | 809896 | | ELBOW, Intake |
| 431C | 845920 | | ELBOW, Intake |
| 601A | 791850 | | CLAMP, Hose -(Green) |
| 601B | 691038 | | CLAMP, Hose -(Black) |
| 788 | 844528 | | BRACKET, Fuel Pump |
| 918 | 844525 | | HOSE, Vacuum |
| 1130 | 841590 | | STUD -(Intake Manifold) -Used Before Code Date 10093000 |
| 1174 | 842067 | | NUT -(Intake Manifold) -Used Before Code Date 10093000 |
| 1331 | 809894 | | SEAL, O-Ring -(Fuel Pump) (Fuel Pump) |

Replacement Engine - US & Canada

| REF NO | PART NO | QTY | DESCRIPTION |
|--------|---------|-----|-------------|
|--------|---------|-----|-------------|

Not For Reproduction



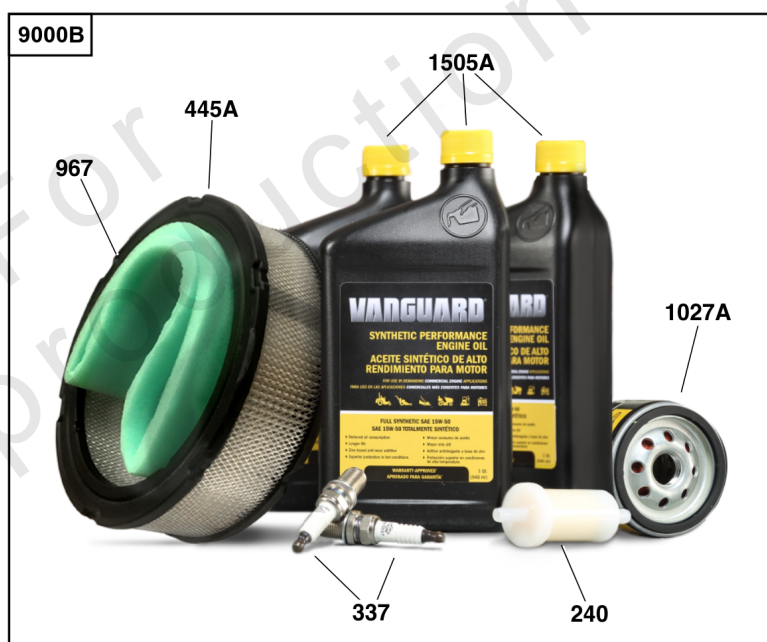
Starter Motor, Wire Harness's, Armatures

| REF NO | PART NO | QTY | DESCRIPTION |
|--------|---------|-----|---|
| 24A | 843837 | | KEY, Flywheel -(Offset Key) (Aluminum) |
| 309 | 845760 | | MOTOR, Starter |
| 333 | 845126 | | ARMATURE, Magneto -Used After Code Date 06111400 |
| 333A | 843860 | | ARMATURE, Magneto -(Includes Offset Flywheel Key) -Used Before Code Date 06111500 |
| 334 | 692066 | | SCREW -(Magneto Armature) |
| 344 | 841233 | | SCREW -(Cable Clamp) (M6x10mm) |
| 474 | 846882 | | ALTERNATOR |
| 501 | 593843 | | REGULATOR |
| 526 | 690717 | | SCREW -(Regulator) |
| 527 | 690423 | | CLAMP, Tube |
| 578 | 847202 | | WIRE ASSEMBLY -(Wire Harness to Regulator) (Red) |
| 578A | 846899 | | WIRE ASSEMBLY -(Regulator to Starter Motor) -Used After Code Date 15110100 |
| 587 | 846866 | | CLAMP, Cable |
| 587A | 807116 | | CLAMP, Tube |
| 635 | 692076 | | BOOT, Spark Plug |
| 697 | 690711 | | SCREW -(Starter Motor) (Drive Cap) (M8x38mm) |
| 789 | 847060 | | HARNESS, Wiring -Used After Code Date 15110100 |
| 789A | 809906 | | HARNESS, Wiring -Used Before Code Date 15110200 |
| 789B | 809967 | | HARNESS, Wiring |
| 851 | 493880S | | TERMINAL-SPARK PLUG |
| 893 | 845758 | | NUT -(Starter Solenoid) |
| 920 | 845757 | | SOLENOID, Starter -Used Before Code Date 12070100 |
| 920 | 846737 | | SOLENOID, Starter -Used After Code Date 12063000 |
| 1054 | 280275 | | TIE, Cable |
| 1059A | 698516 | | KIT, Screw/Washer -(Alternator) |
| 1119 | 691552 | | SCREW -(Alternator) |
| 1336 | 841015 | | SHIELD, Wire Protective |



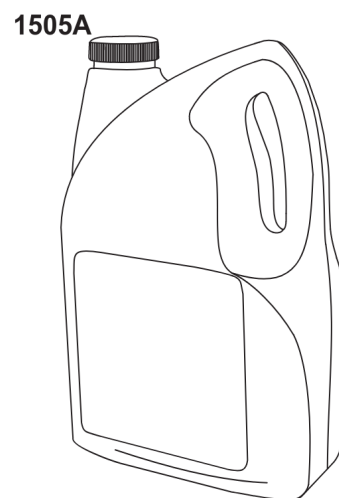
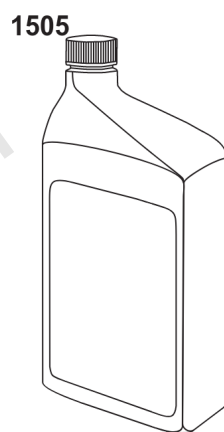
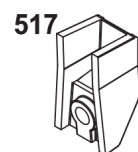
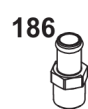
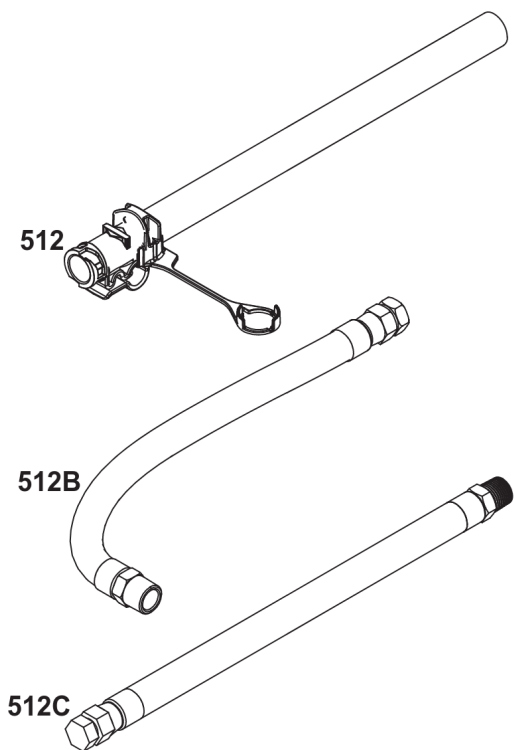
Model 54-61 Engine Accessories Catalog

Not For
Reproduction



Maintenance Kits

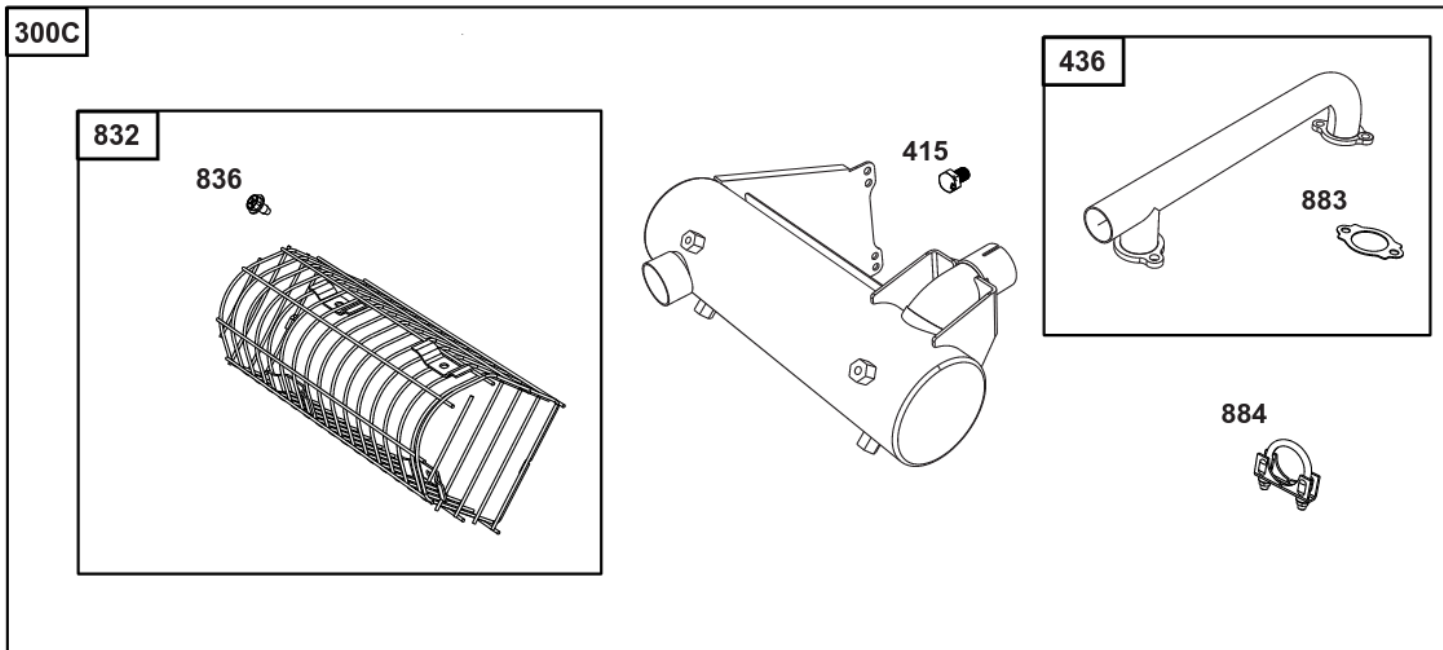
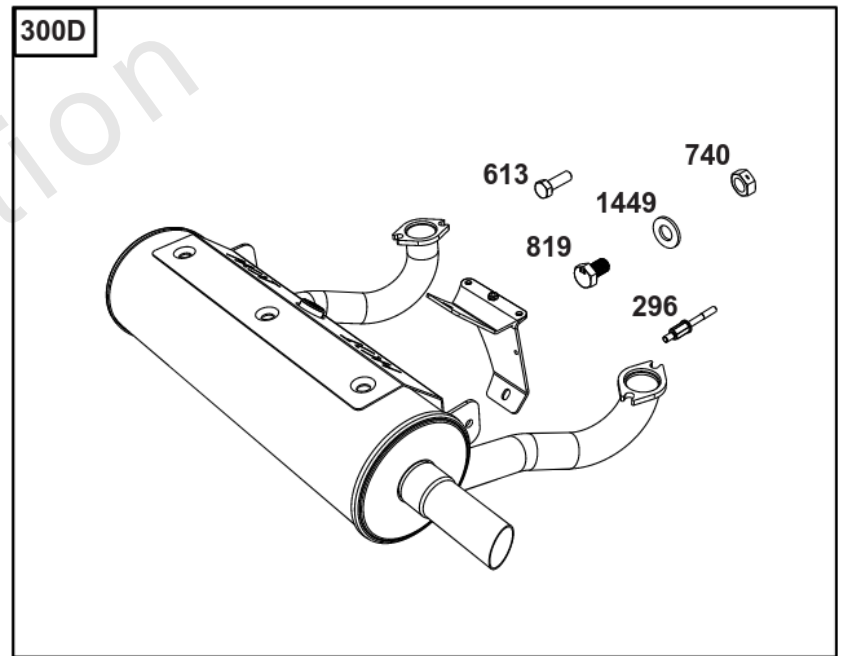
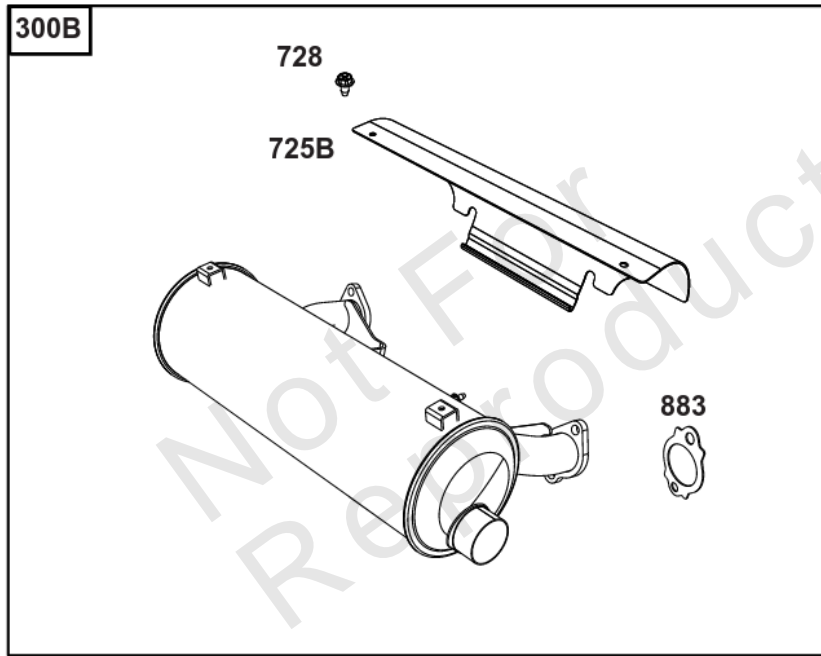
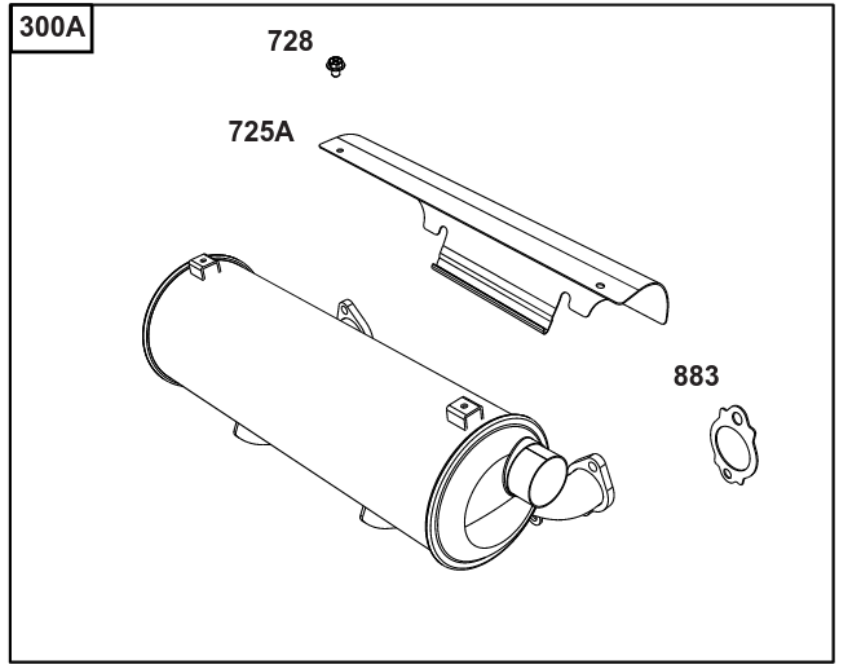
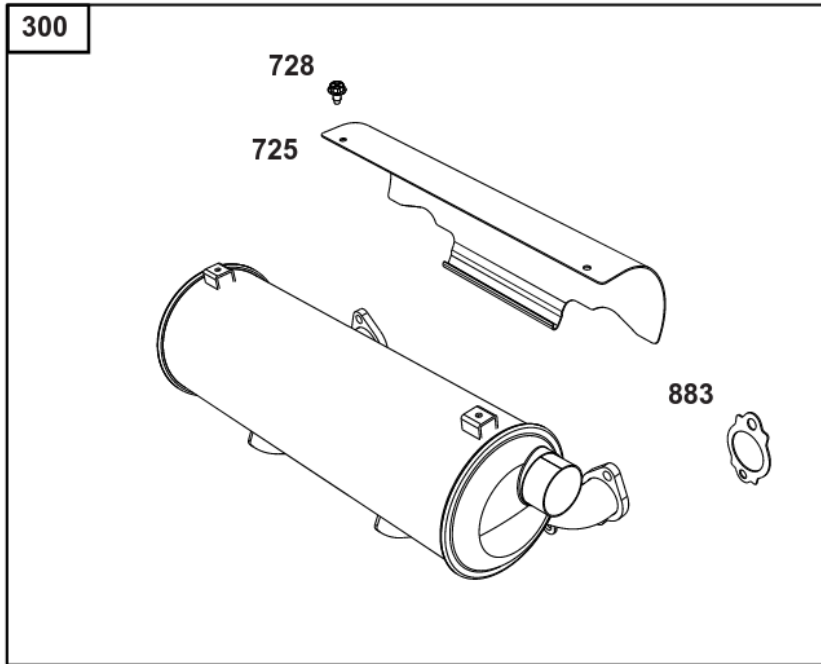
| REF NO | PART NO | QTY | DESCRIPTION |
|--------|----------|-----|--|
| 9000 | 84002318 | | KIT, Maintenance -(Oil Guard™ Engines) |
| 9000A | 84002315 | | KIT, Maintenance -(Non-Oil Guard™ Engines) |
| 9000B | 84004936 | | KIT, Maintenance -(Non-Oil Guard™ Engines) (20 - 40 HP) |
| 240 | 845125 | 1 | FILTER, Fuel |
| 337 | 491055S | 2 | PLUG, Spark |
| 445 | 841497 | 1 | FILTER, A/C Cartridge -"Professional / PXi" & "Commercial / CXi". |
| 445A | 692519 | 1 | FILTER, A/C Cartridge -"Professional / PXi" & "Commercial / CXi". |
| 967 | 692520 | 1 | FILTER, Pre Cleaner |
| 1027 | 595930 | 1 | FILTER, Oil -(Oil Guard™) |
| 1027A | 842921 | 1 | FILTER, Oil -(Vanguard®) |
| 1505 | 100170 | | OIL-5QT VANGUARD (CASE) -(5 qt Bottle) |
| 1505A | 100169 | | OIL-1QT VANGUARD (CASE) -(1 qt Bottle) |



Not For
Reproduction

Lubrication

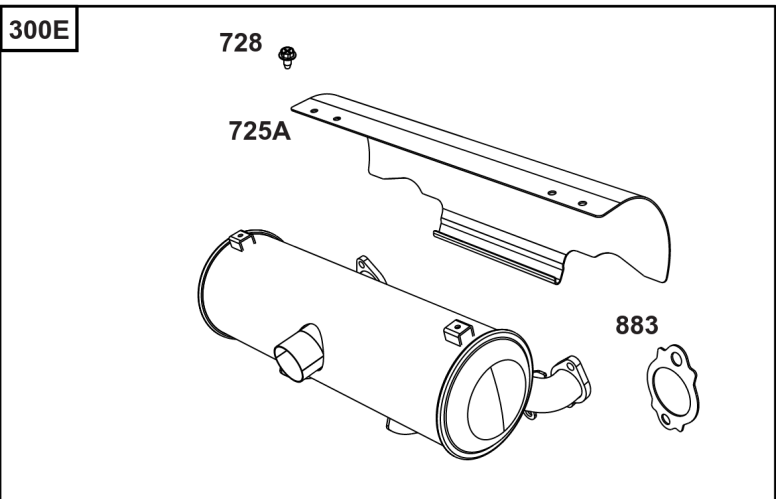
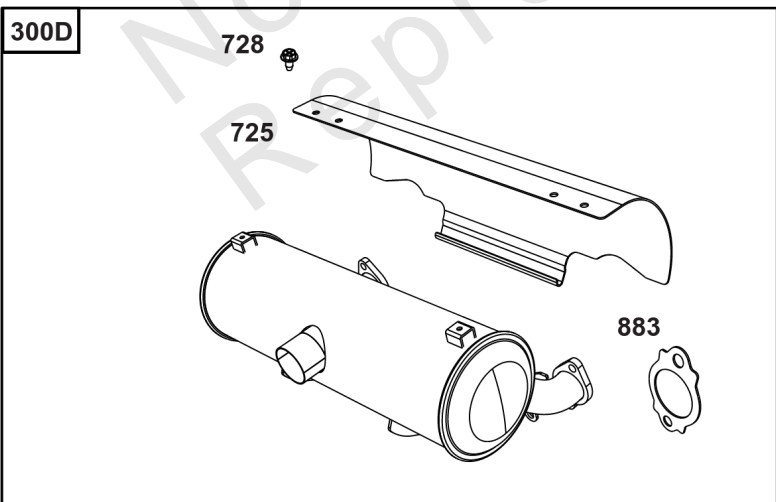
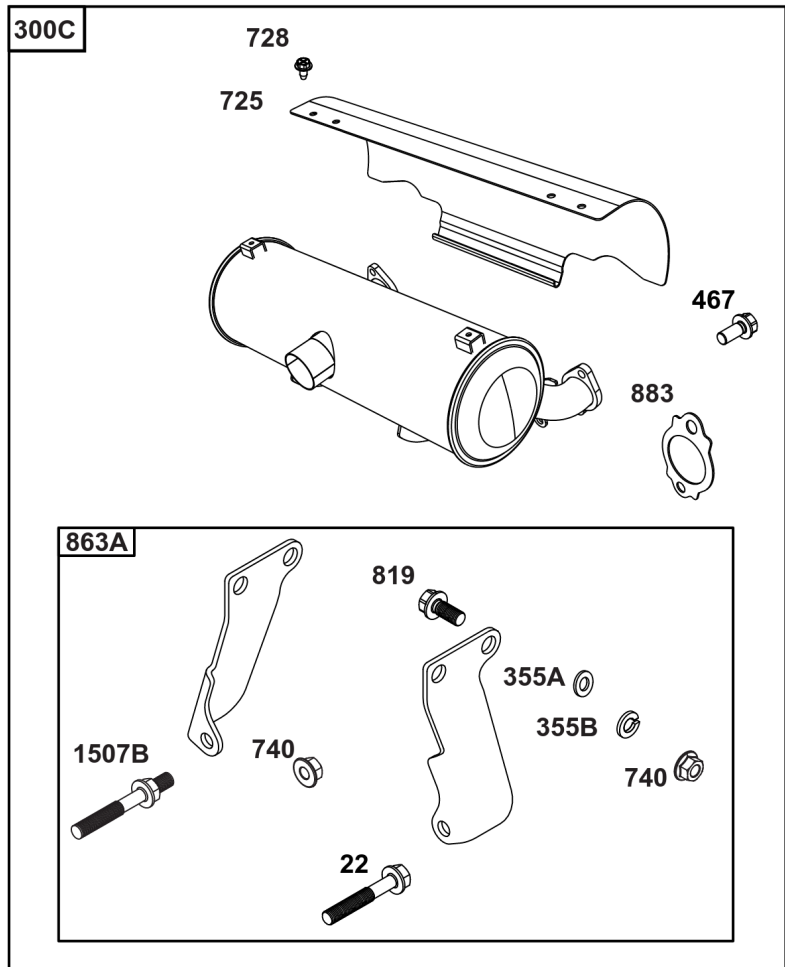
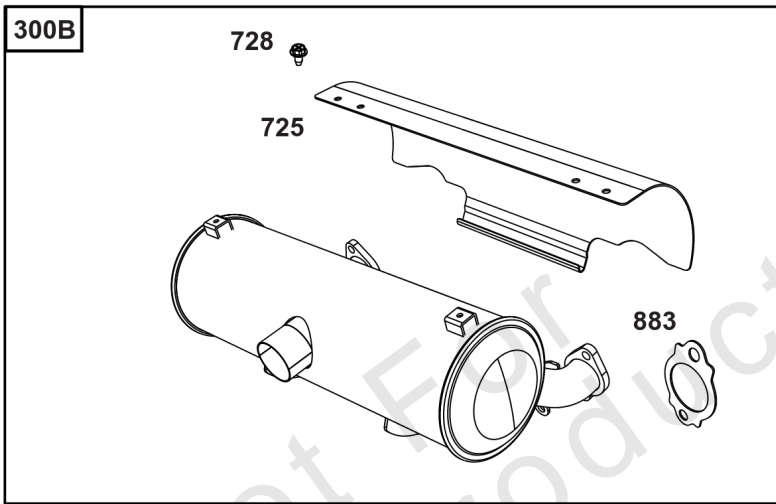
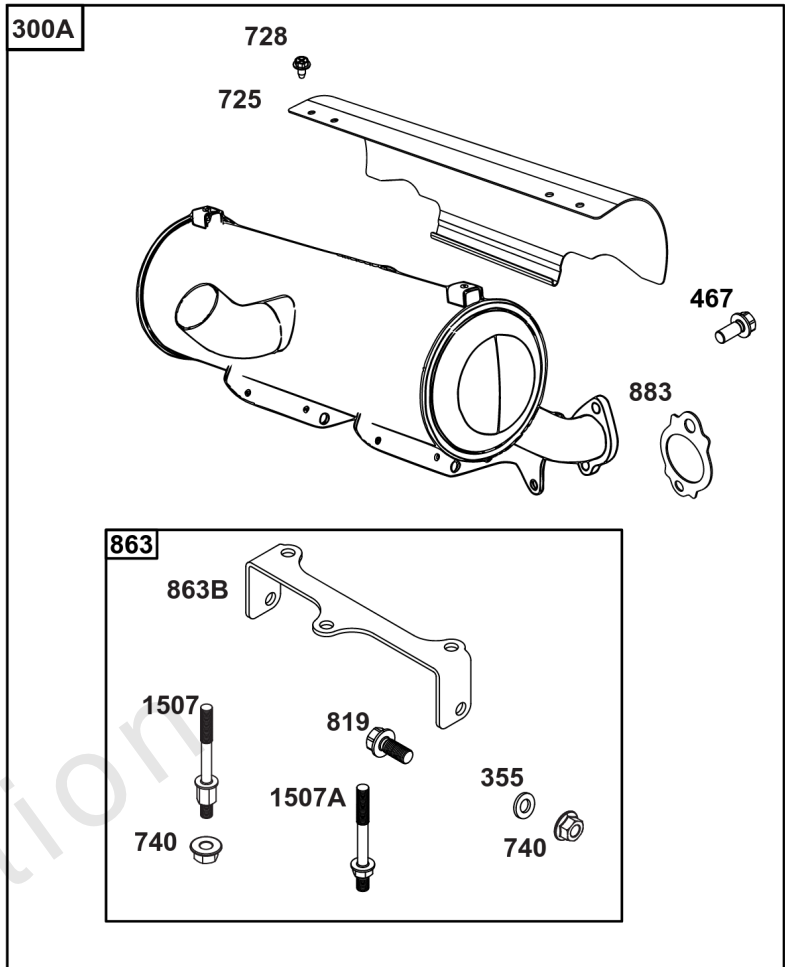
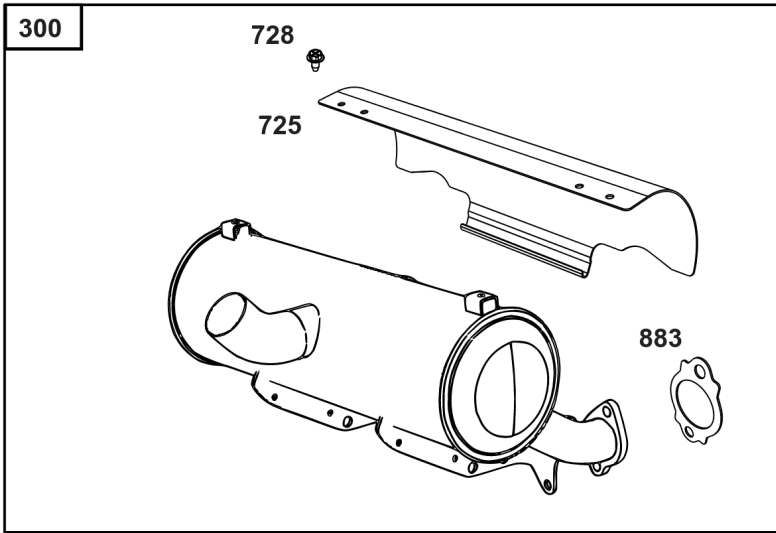
| REF NO | PART NO | QTY | DESCRIPTION |
|--------|-----------|-----|---|
| 186 | 796532 | 1 | CONNECTOR, Hose -(Threaded Engine Block Connector for EZ-Oil Drain Hose)(Order hose separate) |
| 239 | 690233 | 1 | SWITCH, Oil Pressure -(2-4 PSI Normally-Closed Switch) |
| 239A | 491657S | 1 | SWITCH, Oil Pressure -(3-5 PSI Normally-Closed Switch) |
| 239B | 841281 | 1 | SWITCH, Oil Pressure -(7-10 PSI Normally-Closed Switch) |
| 239C | 694115 | 1 | SWITCH, Oil Pressure -(9-13 PSI Normally-Closed Switch) |
| 239D | 697049 | 1 | SWITCH, Oil Pressure -(3-6 PSI Normally-Open Switch) |
| 460 | 1761386YP | 1 | CONNECTOR, Filter Adapter -(Oil Drain Valve) (Fitting M14, 90 Degree 9/16 JIC) |
| 460A | 5100366SM | 1 | METRIC ADAPTER, M14-1 -(Threaded engine block adapter M14 to 3/8 for EZ-Oil Drain connector) (order 796532 separate) |
| 512 | 594200 | 1 | HOSE, Oil Drain -(EZ-Oil Drain Hose, 10.5") (Order threaded engine block connector separate) |
| 512 | 593635 | 1 | HOSE, Oil Drain -(EZ-Oil Drain Hose, 13.75") (Order threaded engine block connector separate) |
| 512B | 1723165SM | 1 | HOSE, Oil Drain, 10-1/2" Long, 3/8-18 Fittings -(10.5") |
| 512C | 5048681SM | 1 | HOSE, OIL DRAIN -(12.5") |
| 517 | 593633 | 1 | RETAINER, Oil Drain |
| 1346 | 844802 | 1 | VALVE, Oil Drain Shut Off |
| 1346A | 492031 | 1 | VALVE, Oil Drain Shut Off |
| 1505 | 100169 | | OIL-1QT VANGUARD (CASE) -(1 qt. Bottle) |
| 1505A | 100170 | | OIL-5QT VANGUARD (CASE) -(5 qt. Bottle) |



Oil Filter Side Outlet Mufflers

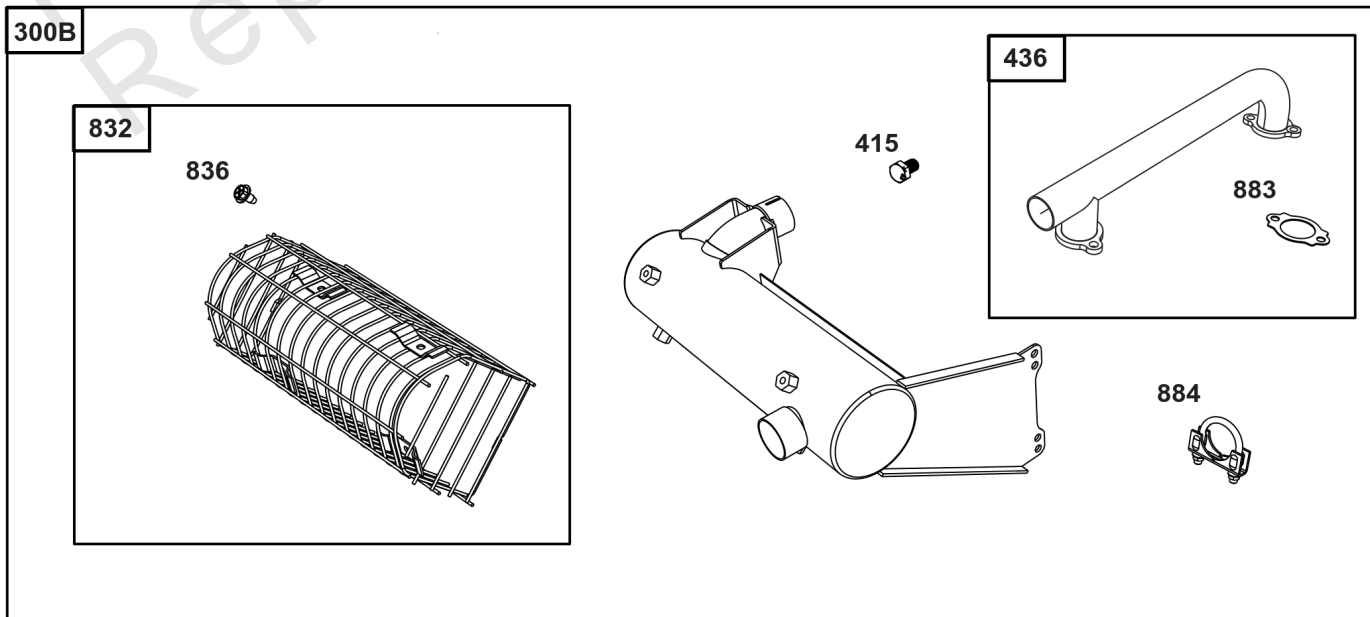
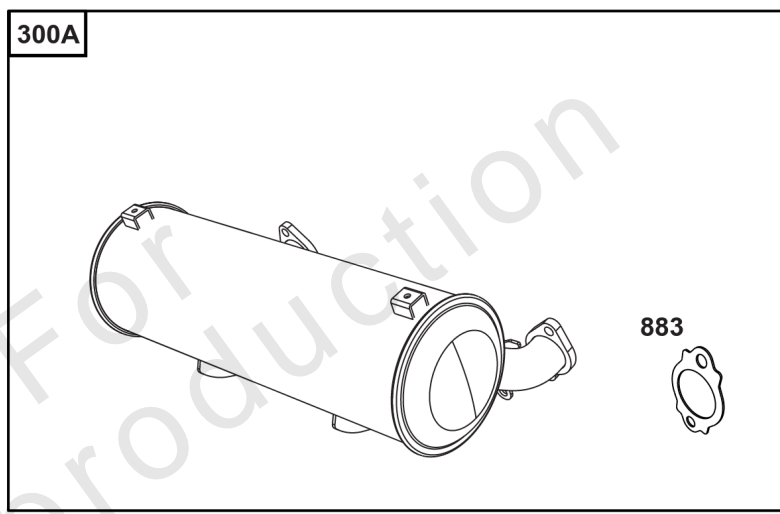
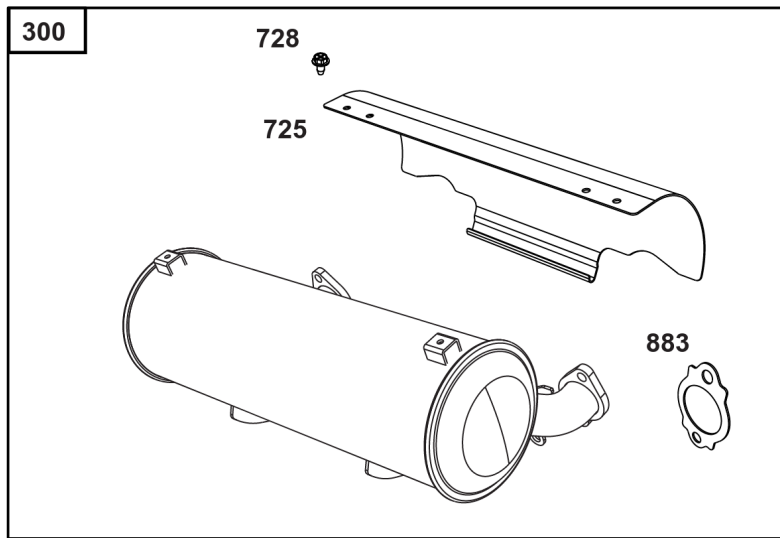
| REF NO | PART NO | QTY | DESCRIPTION |
|--------|-------------|-----|---|
| 296 | 844813 | 4 | STUD -(Muffler) |
| 300 | 846819 | 1 | MUFFLER -(High Mount) (Oil Filter Side Outlet) (EFI) |
| 300A | 846246 | 1 | MUFFLER -(Mid Mount) (Oil Filter Side Outlet) |
| 300B | 847486 | 1 | MUFFLER -(Mid Mount) (Oil Filter Side Outlet) (EFI) |
| 300C | 847278 | 1 | MUFFLER -(Side Mount) (Oil Filter Side Outlet) (EFI) |
| 300D | 84007299 | 1 | MUFFLER -(Vertical Shaft)(Oil Filter Side Outlet) |
| 415 | 596859 | 1 | PLUG |
| 436 | 841681 | 1 | MANIFOLD, Exhaust |
| 613 | 596859 | | PLUG -(Muffler) |
| 725 | 847229 | 1 | SHIELD, Heat |
| 725A | 844338 | 1 | SHIELD, Heat |
| 725B | 847487 | 1 | SHIELD, Heat |
| 728 | 692067 | 2 | SCREW -(Heat Shield) |
| 740 | 703164 | 2 | NUT -Muffler Bracket |
| 819 | 5025011X8SM | 2 | CAPSCREW, Hex Head, 5/16-18 X 1 -(Muffler Bracket) |
| 832 | 841682 | 1 | GUARD, Muffler |
| 836 | 841233 | 4 | SCREW -(Muffler Guard) |
| 883 | 809872 | 2 | GASKET, Exhaust |
| 884 | 841968 | 1 | CLAMP, Muffler |
| 1449 | 703350 | 4 | WASHER -(Muffler) |

Center Outlet Mufflers



Center Outlet Mufflers

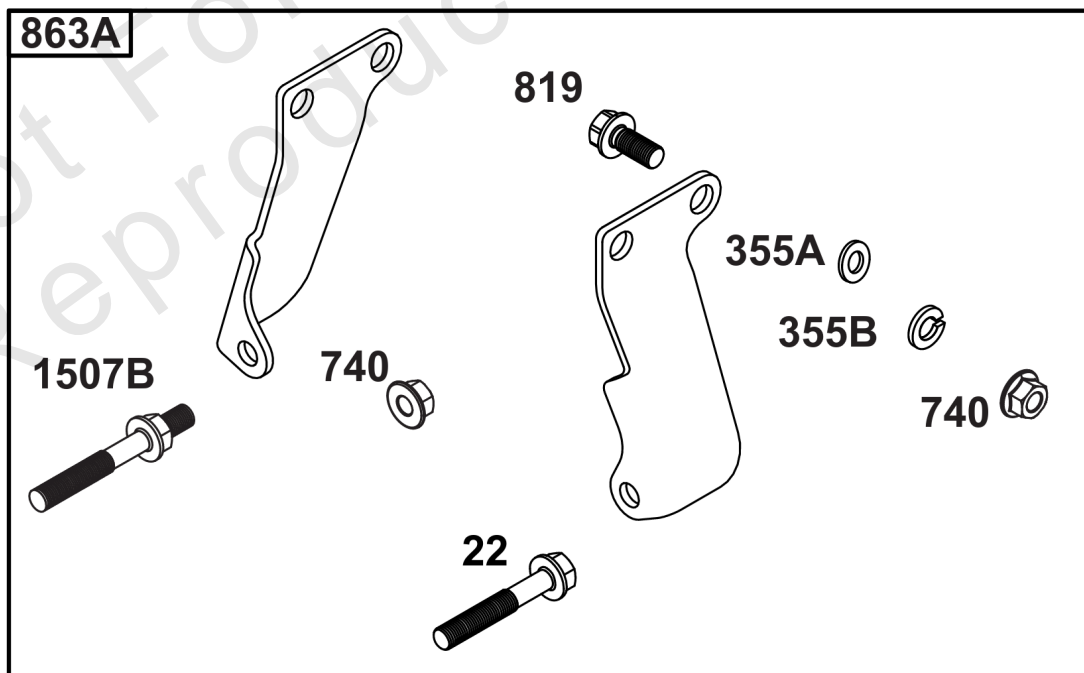
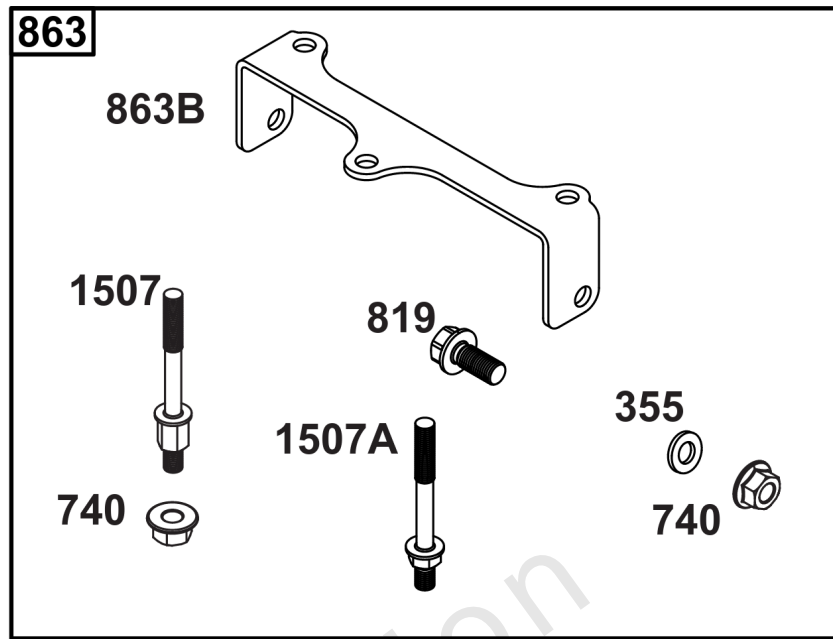
| REF NO | PART NO | QTY | DESCRIPTION |
|--------|---------|-----|--|
| 22 | 807362 | 2 | SCREW -(Muffler Bracket) |
| 300 | 846443 | 1 | MUFFLER -(Vertical Shaft) (Center Outlet) (304 Stainless Steel) |
| 300A | 847940 | 1 | MUFFLER -(Vertical Shaft) (Center Outlet) (304 Stainless Steel) (Performance Muffler for 40 HP) |
| 300B | 846154 | 1 | MUFFLER -(Horizontal Shaft) (High Mount) (Center Outlet) |
| 300C | 847922 | 1 | MUFFLER -(Horizontal Shaft) (High Mount) (Center Outlet) (304 Stainless Steel) (Performance Muffler for 40 HP) |
| 300D | 846444 | 1 | MUFFLER -(Horizontal Shaft) (High Mount) (Center Outlet) (304 Stainless Steel) |
| 300E | 847478 | 1 | MUFFLER -(Horizontal Shaft) (High Mount) (Center Outlet) (O2 Sensor Port) (EFI) |
| 355 | 844035 | 2 | WASHER -(Muffler Bracket) |
| 355A | 691261 | 2 | WASHER -(Muffler Bracket) |
| 355B | 691075 | 8 | WASHER -(Muffler Bracket) |
| 467 | 846149 | 4 | SCREW -(Exhaust Manifold) |
| 725 | 841132 | 1 | SHIELD, Heat |
| 725A | 847229 | 1 | SHIELD, Heat |
| 728 | 692067 | 2 | SCREW -(Heat Shield) |
| 740 | 690941 | 5 | NUT |
| 819 | 692062 | 2 | SCREW -(Muffler Bracket) |
| 863 | 848296 | 1 | BRACKET, Muffler |
| 863A | 843487 | 1 | BRACKET, Muffler |
| 863B | 848296 | 1 | BRACKET, Muffler |
| 883 | 809872 | 2 | GASKET, Exhaust |
| 1507 | 848297 | 1 | STUD -(Muffler Bracket) |
| 1507A | 848298 | 2 | STUD -(Muffler Bracket) |
| 1507B | 846324 | 2 | STUD -(Muffler Bracket) |



Starter Side Outlet Mufflers

| REF NO | PART NO | QTY | DESCRIPTION |
|--------|---------|-----|--|
| 300 | 845741 | 1 | MUFFLER -(High Mount) (Starter Side Outlet) |
| 300A | 847083 | 1 | MUFFLER -(Starter Side Outlet) (EFI) |
| 300B | 847279 | | MUFFLER -(Side Mount) (Starter Side Outlet) (EFI) |
| 415 | 596859 | 1 | PLUG |
| 436 | 842263 | 1 | MANIFOLD, Exhaust |
| 725 | 841132 | 1 | SHIELD, Heat |
| 728 | 692067 | 2 | SCREW -(Heat Shield) |
| 832 | 841682 | 1 | GUARD, Muffler |
| 836 | 841233 | 4 | SCREW -(Muffler Guard) |
| 883 | 809872 | 2 | GASKET, Exhaust |
| 884 | 841968 | 1 | CLAMP, Muffler |

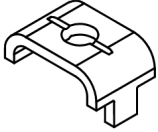
Not For Reproduction



Muffler Bracket Kits

| REF NO | PART NO | QTY | DESCRIPTION |
|--------|---------|-----|-----------------------------------|
| 22 | 807362 | 2 | SCREW -(Muffler Bracket) |
| 355 | 844035 | 2 | WASHER -(Muffler Bracket) |
| 355A | 691261 | 2 | WASHER -(Muffler Bracket) |
| 355B | 691075 | 8 | WASHER -(Muffler Bracket) |
| 740 | 690941 | 6 | NUT -(Muffler Bracket) |
| 819 | 692062 | 2 | SCREW -(Muffler Bracket) |
| 863 | 848316 | 1 | BRACKET, Muffler -(Vertical) |
| 863A | 843487 | 1 | BRACKET, Muffler -(Horizontal) |
| 863B | 848296 | 1 | BRACKET, Muffler -(Vertical) |
| 1507 | 848297 | 1 | STUD -(Muffler Bracket) |
| 1507A | 848298 | 2 | STUD -(Muffler Bracket) |
| 1507B | 846324 | 2 | STUD -(Muffler Bracket) |

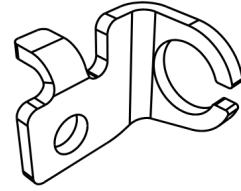
265



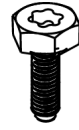
265A



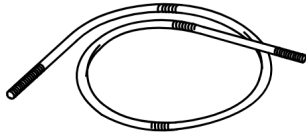
416



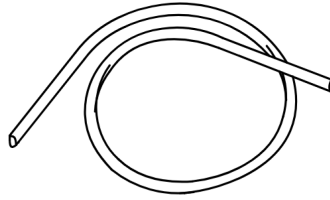
267



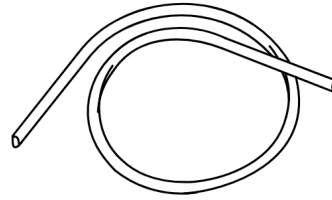
268



269



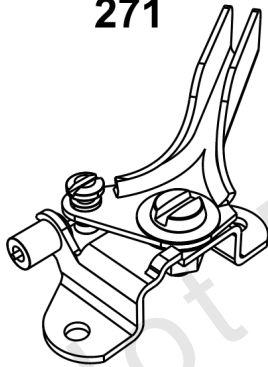
269A



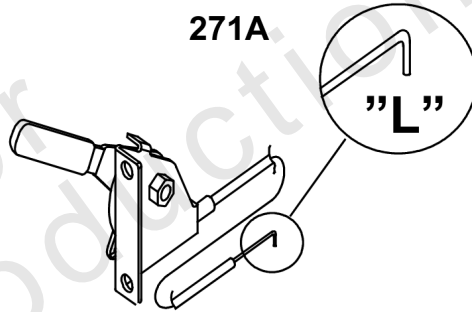
270



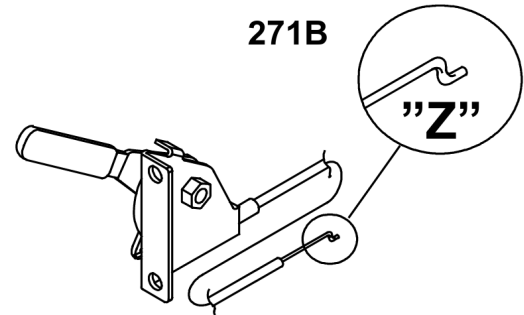
271



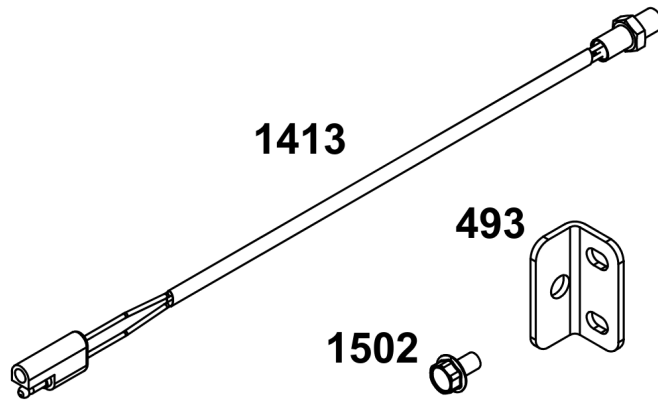
271A



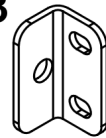
271B



1413



493



1502



Speed Control

| REF NO | PART NO | QTY | DESCRIPTION |
|--------|---------|-----|---|
| 265 | 691024 | 1 | CLAMP, Casing -(Casing Clamp for Hard Casing) |
| 265A | 690798 | 1 | CLAMP, Casing -(Casing Clamp for Soft Casing) |
| 267 | 792629 | 1 | SCREW -(Screw for Casing Clamp) |
| 268 | 691025 | 1 | CASING, Control Wire -(Wire Casing 72") |
| 269 | 691026 | 1 | WIRE, Control -(Control Wire 78") |
| 269A | 93907 | 1 | WIRE, Control -(Control Wire 100") |
| 270 | 691027 | 1 | NUT -(Nut for Wire Casing) |
| 271 | 691028 | 1 | LEVER, Control |
| 271A | 692105 | 1 | LEVER, Control -(Wire with "L" formed end) |
| 271B | 692541 | 1 | LEVER, Control -(Wire with "Z" formed end) |
| 416 | 595196 | 1 | BRACKET, Throttle Cable -(Casing Clamp for Snap-In Casing) |
| 493 | 842713 | 1 | BRACKET, Mounting -(Speed Sensor) |
| 1413 | 844449 | 1 | SENSOR, Speed -(Requires 842713 Bracket and two 841233 screws) |
| 1502 | 841233 | 2 | SCREW -(Speed Sensor) |

330



853



415



1616



1518



983



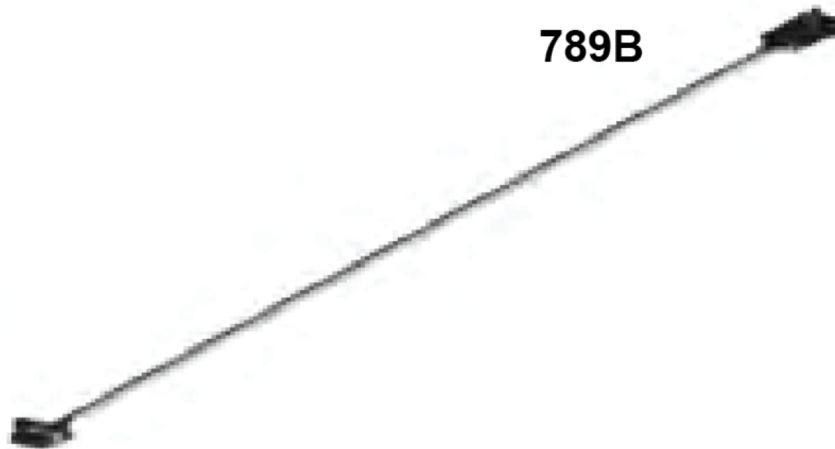
789



789A

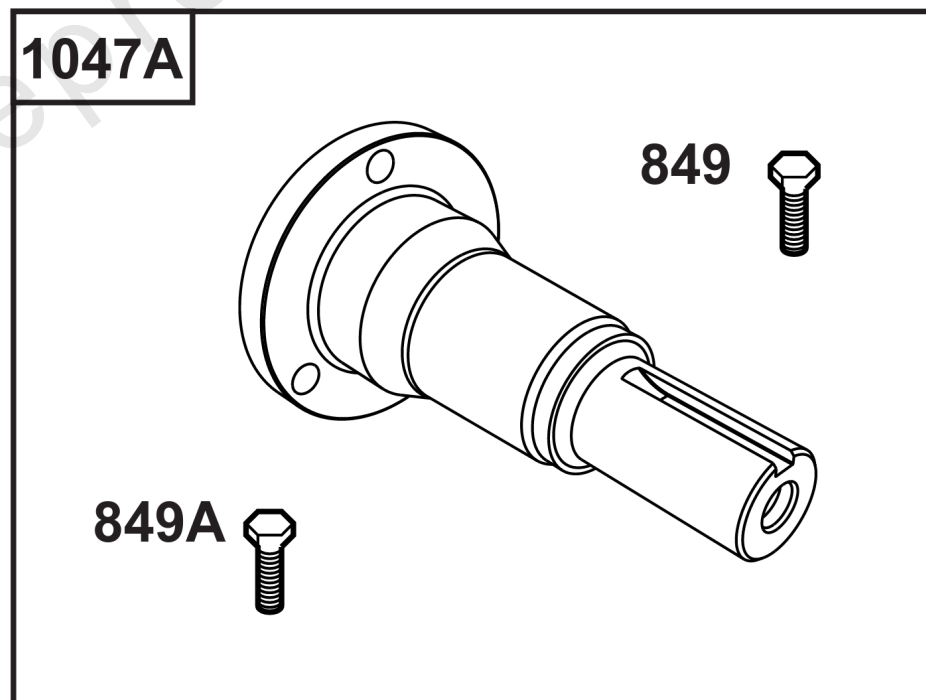
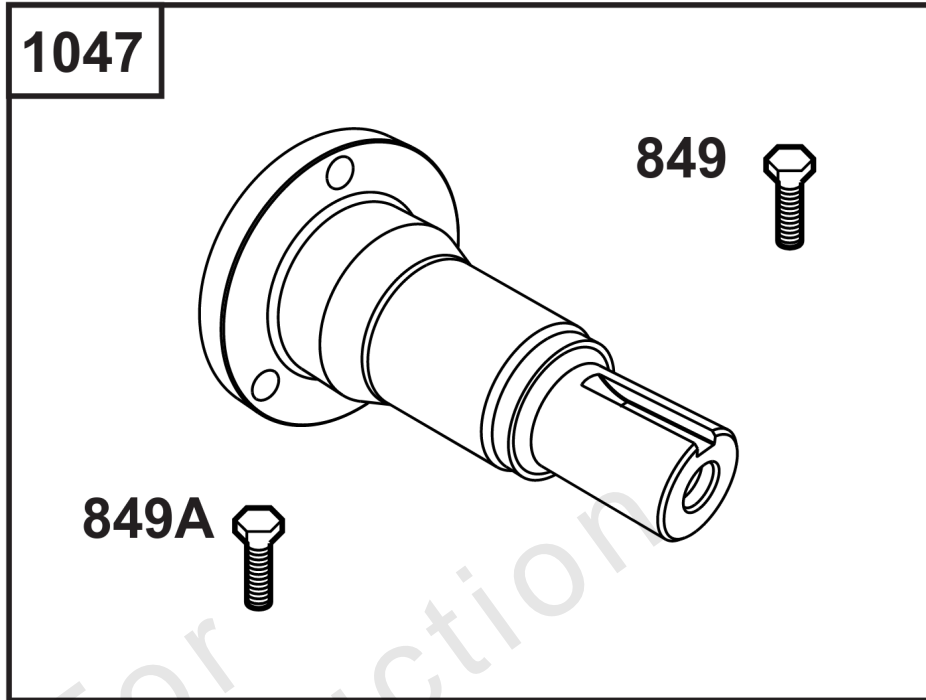


789B



Electrical

| REF NO | PART NO | QTY | DESCRIPTION |
|--------|-----------|-----|--|
| 330 | 847476 | 1 | SENSOR, Oxygen -(Extended Length O2 Sensor 23.5") |
| 415 | 1714480SM | 1 | PLUG -(Plug for Ignition Switch Removal) |
| 789 | 809967 | 1 | HARNESS, Wiring -(Wire Harness Extension 8 Pin – 22") (Use with standard key switch 692318 or water/dust resistant key switch 847448) |
| 789A | 846776 | 1 | HARNESS, Wiring -(Wire Harness Extension 6 Pin – 22") (Use with standard key switch 692318 or water/dust resistant key switch 847448) |
| 789B | 847017 | 1 | WIRE ASSEMBLY -(Wire Harness Extension for 847016 Tach 32") |
| 853 | 80028618 | 1 | ADAPTER, Wire -(Wire Harness Adapter 6 Pin to 8 Pin) |
| 983 | 5103809YP | 1 | LIGHT, Indicator -(MIL Light Indicator, LED Red) |
| 1518 | 847016 | 1 | TACHOMETER -(Tach, Hour Meter with MIL Light for EFI Engines) |
| 1616 | 19626 | 1 | CODE READER -(Tiny Scan) |

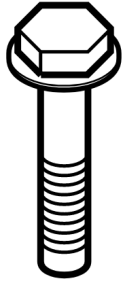


Stub Shafts

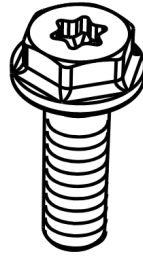
| REF NO | PART NO | QTY | DESCRIPTION |
|--------|---------|-----|---|
| 849 | 596370 | 3 | SCREW -(Stub Shaft) |
| 849A | 846235 | 3 | SCREW -(Stub Shaft) |
| 1047 | 841304 | 1 | SHAFT, Stub -(Flywheel Mounted) (1-1/8" diameter, 148 mm length) |
| 1047A | 843342 | 1 | SHAFT, Stub -(Flywheel Mounted) (1-1/8" diameter, 176 mm length) |

Not For Reproduction

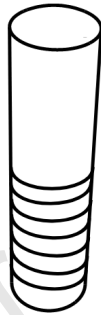
613



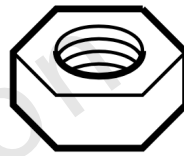
437



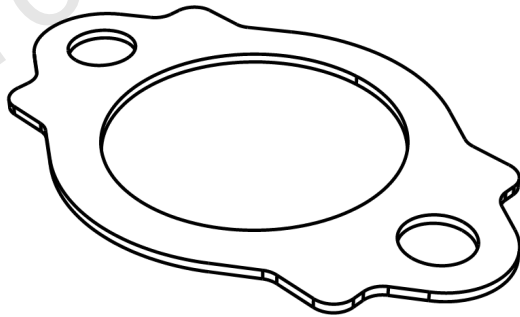
151



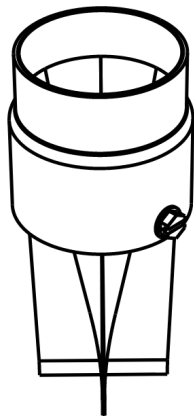
1177



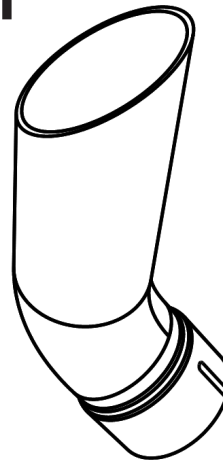
883



994



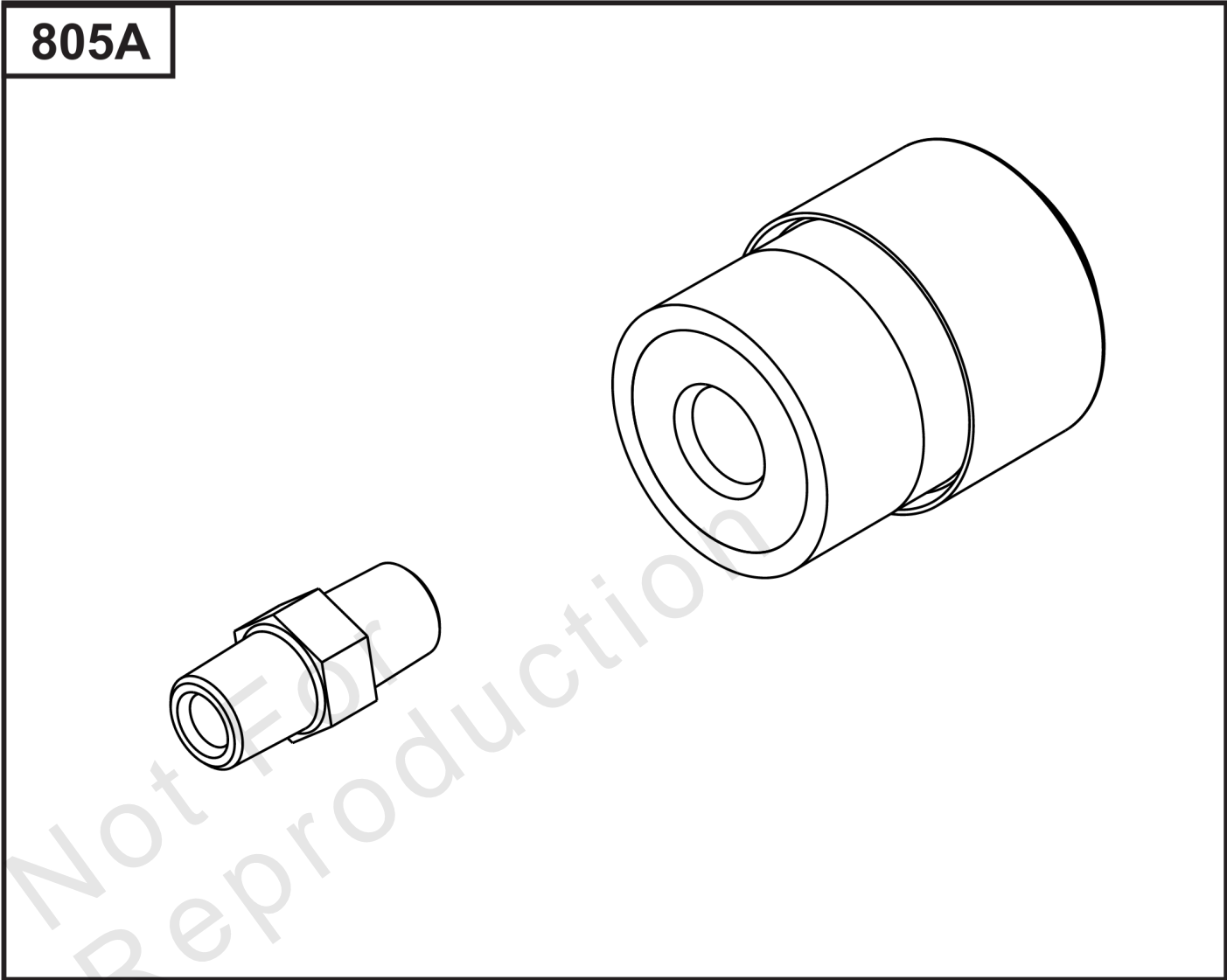
301



Spark Arrester/Deflector

| REF NO | PART NO | QTY | DESCRIPTION |
|--------|---------|-----|---|
| 151 | 841185 | 4 | STUD -(4 per engine) |
| 301 | 841518 | 1 | PIPE, Exhaust -(For 44.7 O.D. muffler outlet pipe) (Requires clamp 843624) |
| 437 | 809743 | 4 | SCREW -(M8 x 25 for Mounting Mufflers) (4 per engine) |
| 613 | 692062 | 4 | SCREW -(M8 x 18 for Mounting Mufflers) (4 per engine) |
| 883 | 809872 | 2 | GASKET, Exhaust -(2 per engine) |
| 994 | 843204 | 1 | ARRESTOR, Spark -(1.75") (44.7 mm) (O.D. Outlet Tube) |
| 1177 | 842067 | 4 | NUT -(Required if using 841185 stud) |

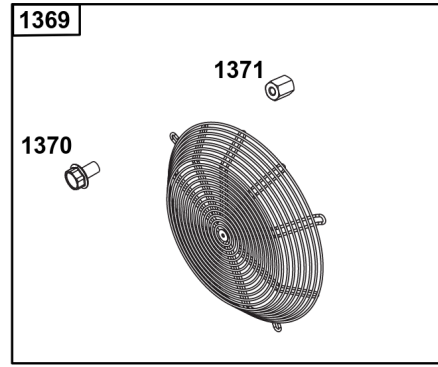
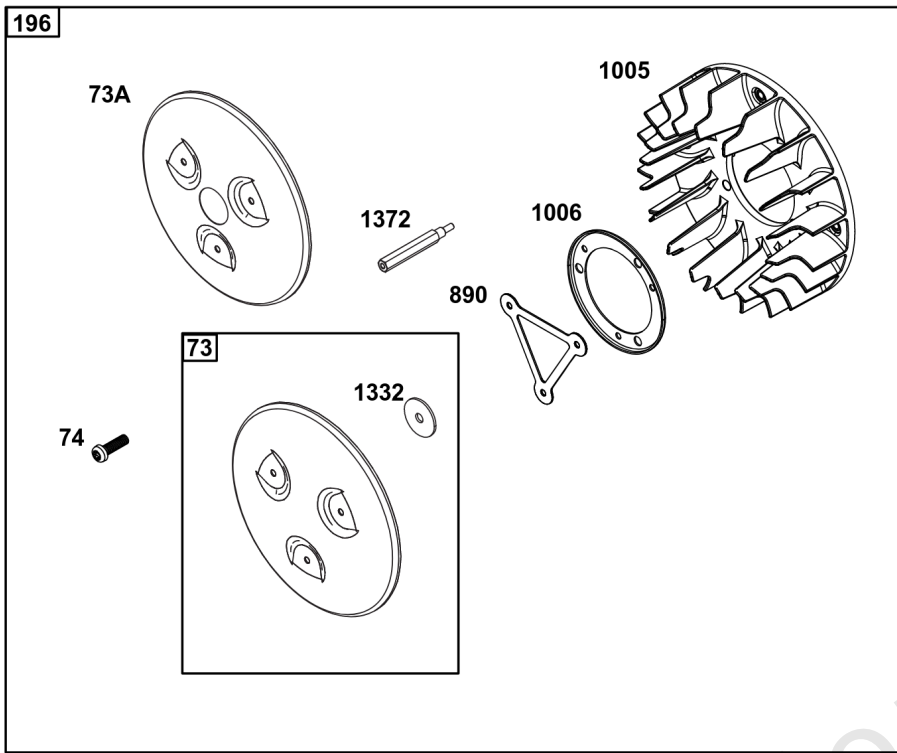
Not For Reproduction



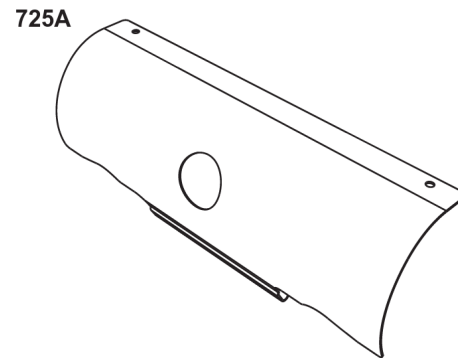
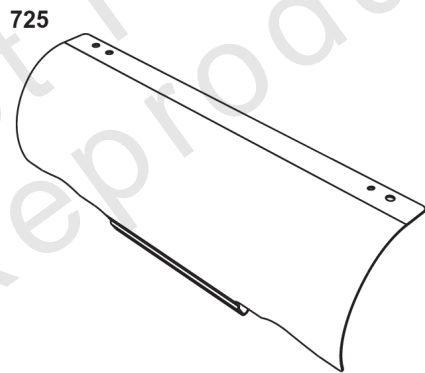
Air Intake

| REF NO | PART NO | QTY | DESCRIPTION |
|--------|---------|-----|----------------|
| 805A | 843024 | 1 | MINDER, Filter |

Not For Reproduction



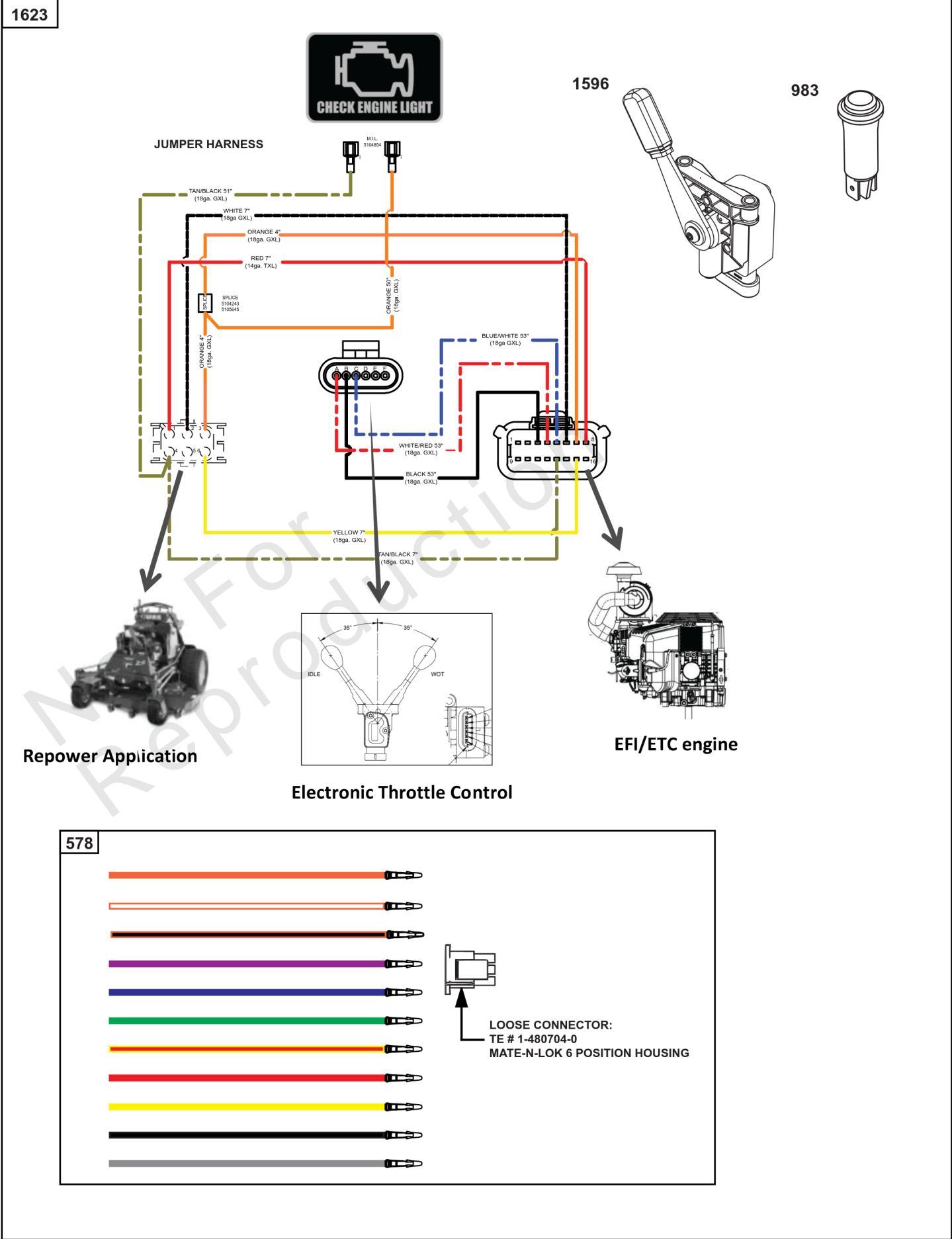
Not For
Reproduction



Guarding

| REF NO | PART NO | QTY | DESCRIPTION |
|--------|---------|-----|--|
| 73 | 841840 | 1 | SCREEN, Rotating |
| 73A | 842248 | 1 | SCREEN, Rotating |
| 74 | 809947 | 3 | SCREW -(Rotating Screen) (M6x20mm) |
| 196 | 847200 | 1 | GUARD, Flywheel Fan |
| 725 | 841132 | 1 | SHIELD, Heat -(Requires 2 x 692067 Screw) |
| 725A | 847229 | 1 | SHIELD, Heat -(With 02 Sensor Hole) (EFI) |
| 890 | 809987 | 1 | BRACKET, Support |
| 1005 | 846996 | 1 | FAN, Flywheel |
| 1006 | 847198 | 1 | RETAINER, Fan |
| 1332 | 809948 | 3 | WASHER |
| 1369 | 995019 | 1 | FAN/SCREEN ASSEMBLY |
| 1370 | 841233 | 4 | SCREW -(Flywheel Fan Guard) |
| 1371 | 841537 | 4 | NUT -(Flywheel Fan Guard) |
| 1372 | 809946 | 3 | STUD |

Not For Reproduction



Electronic Throttle Kit

| REF NO | PART NO | QTY | DESCRIPTION |
|---------------|----------------|------------|---|
| 578 | 84007350 | 1 | WIRE ASSEMBLY |
| 983 | 5103809YP | 1 | LIGHT, Indicator |
| 1596 | 84007271 | 1 | LEVER, Electronic Throttle |
| 1623 | 84008670 | 1 | KIT, Throttle Assembly -(Analog Electronic Throttle Control) |

Not For Reproduction

