



COMMERCIAL POWER

**en** *Operator's Manual*

**bg** *Инструкции за експлоатация*

**cs** *Návod k obsluze*

**et** *Kasutusjuhend*

**hr** *Priručnik za operatora*

**hu** *Kezelési útmutató*

**it** *Naudojimo instrukcija*

**lv** *Operatora rokasgrāmata*

**pl** *Instrukcja obsługi*

**ro** *Manual de utilizare*

**ru** *Руководство по эксплуатации*

**sk** *Pokyny na obsluhu a údržbu*

**sl** *Priročnik za uporabo*

**Model 290000**

Vanguard™  
Gasoline

**Model 350000**

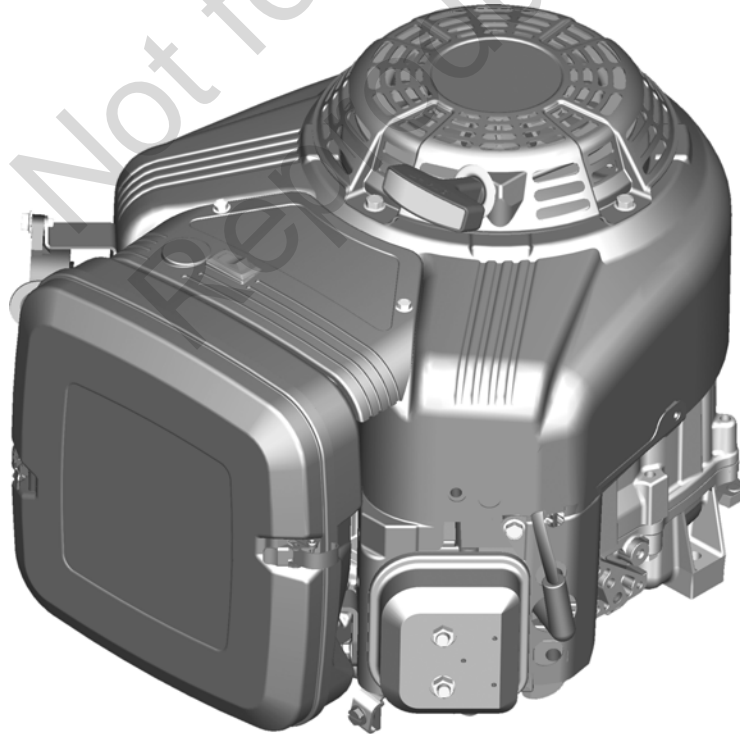
Vanguard™  
Gasoline

**Model 300000**

Vanguard™  
Gasoline

**Model 380000**

Vanguard™  
Gasoline



Copyright © Briggs & Stratton Corporation,  
Milwaukee, WI, USA. All rights reserved.  
Briggs & Stratton is a registered trademark  
of Briggs & Stratton Corporation.

Form No. 279765EST  
Revision: K

English

Български

Čeština

eesti keel

Hrvatski

Magyar

Lietuvių

Latviešu

Polski

Română

Русский

Slovenčina

Slovenija

en

bg

cs

et

hr

hu

lt

lv

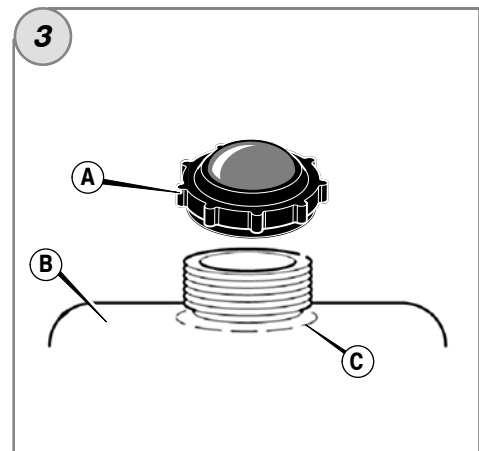
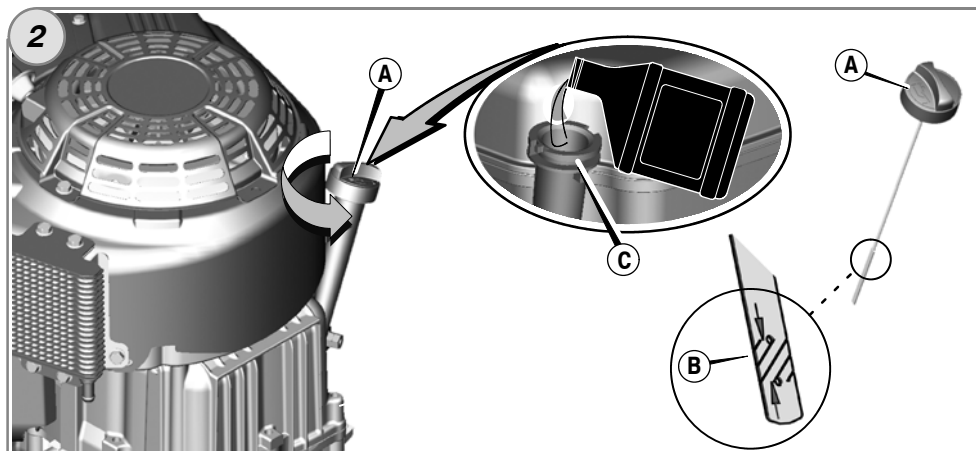
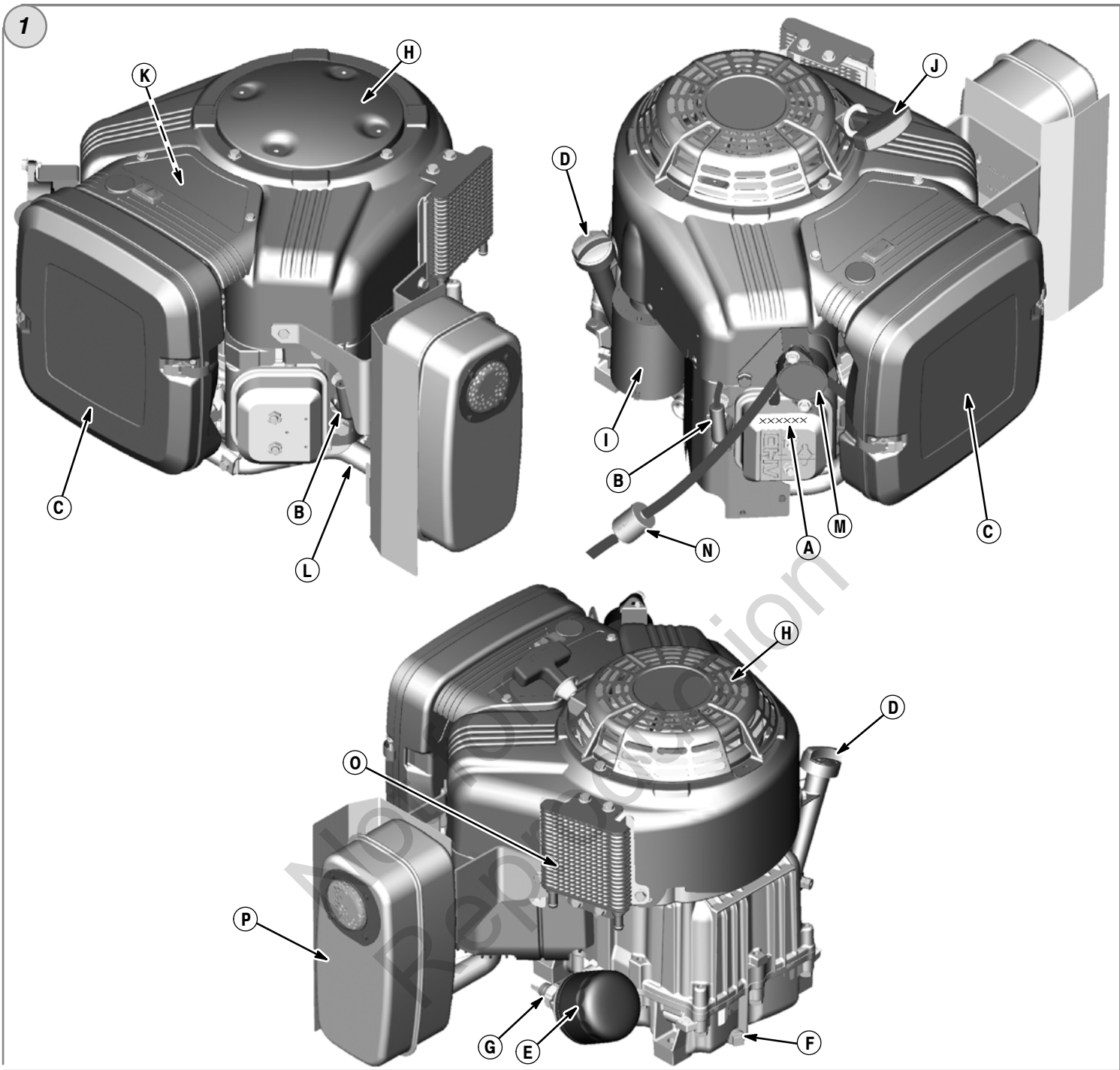
pl

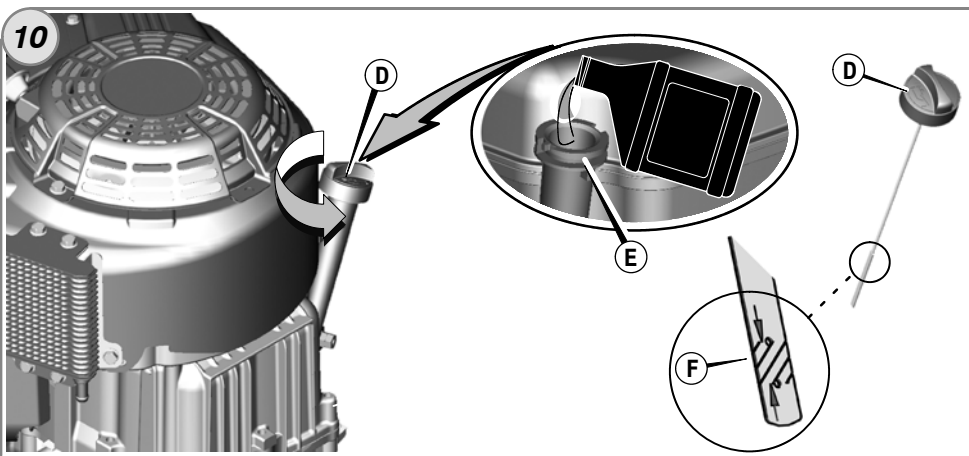
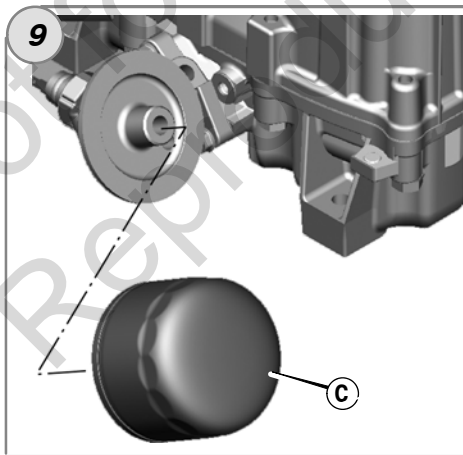
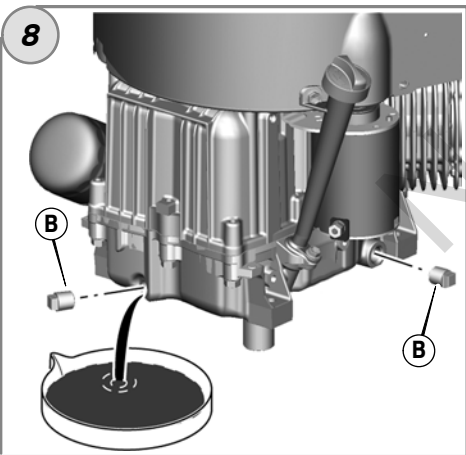
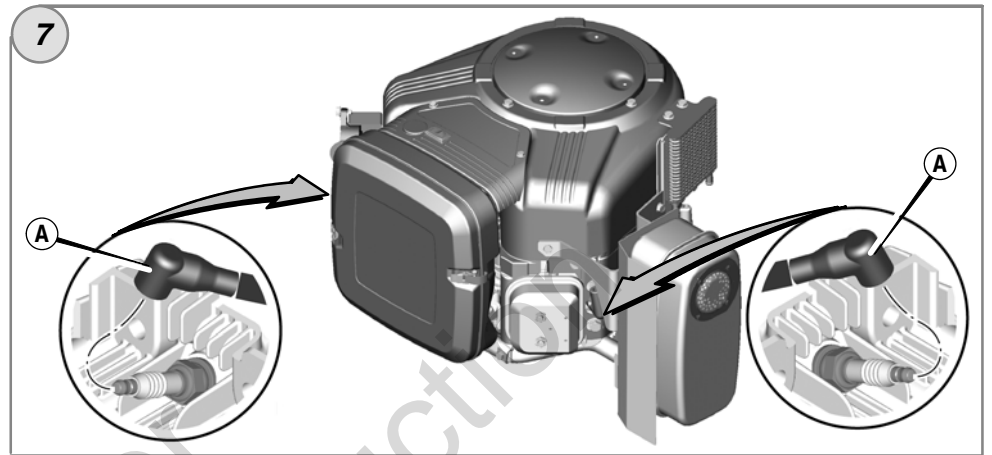
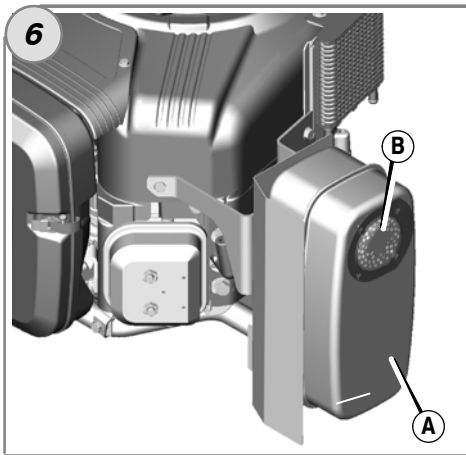
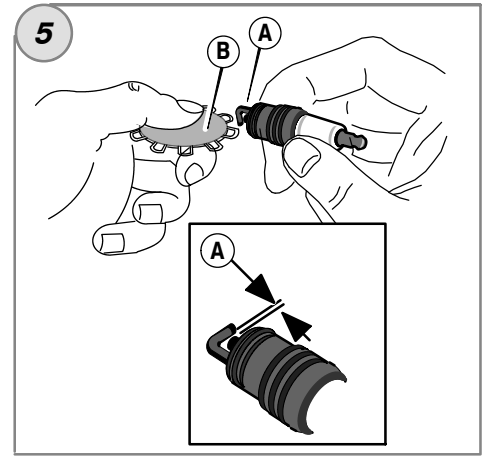
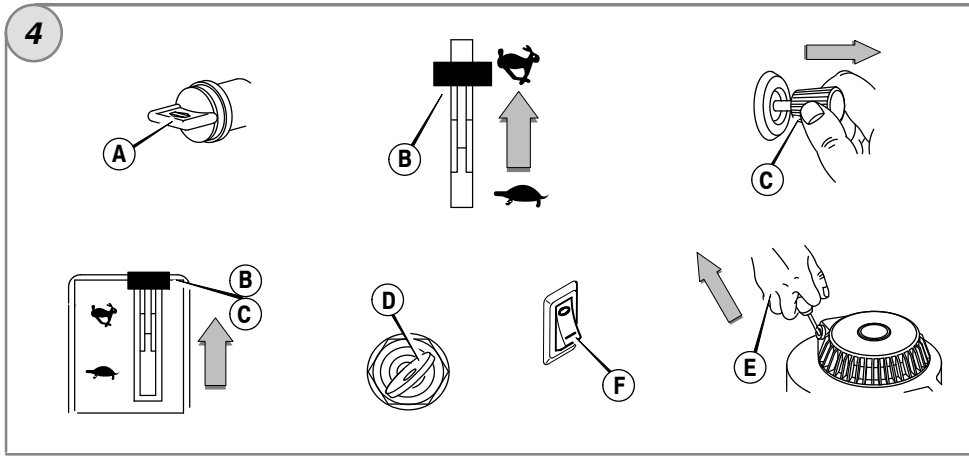
ro

ru

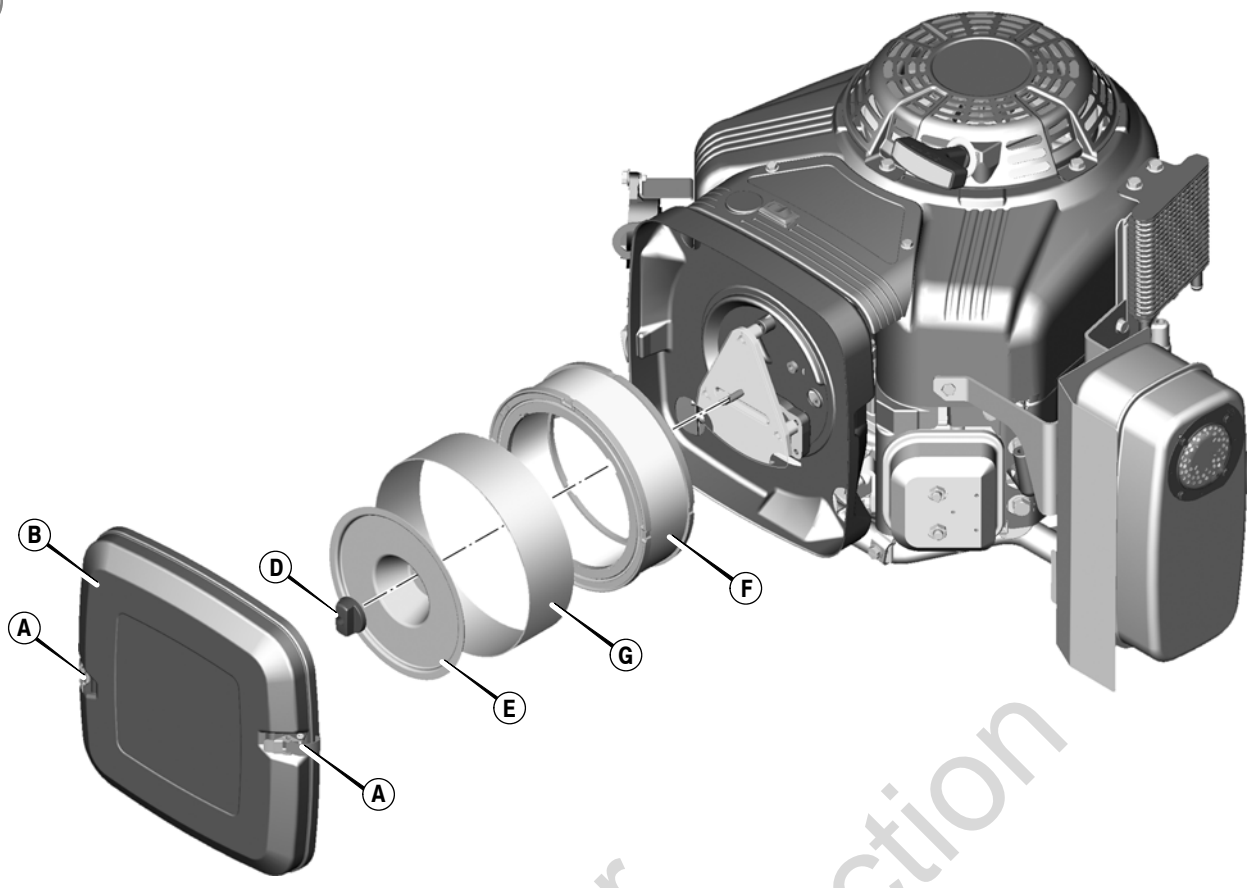
sk

sl

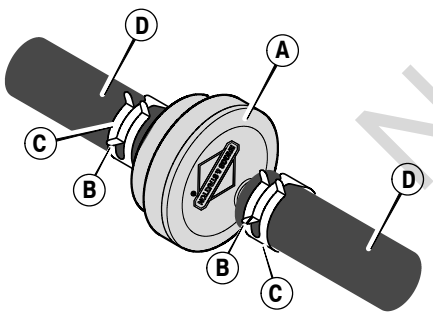




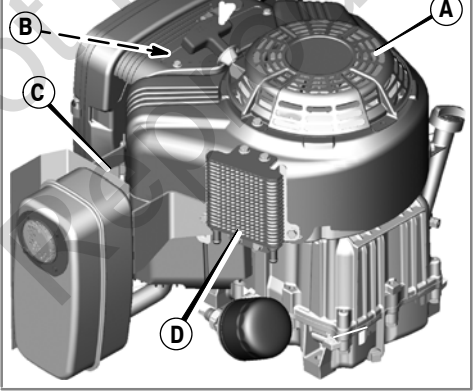
11



12



13



## General Information

This manual contains safety information to make you aware of the hazards and risks associated with engines and how to avoid them. It also contains instructions for the proper use and care of the engine. Because Briggs & Stratton Corporation does not necessarily know what equipment this engine will power, it is important that you read and understand these instructions and the instructions for the equipment. **Save these original instructions for future reference.**

For replacement parts or technical assistance, record below the engine model, type, and code numbers along with the date of purchase. These numbers are located on your engine (see the **Features and Controls** page).

**Date of purchase:** \_\_\_\_\_  
MM/DD/YYYY

**Engine model:** \_\_\_\_\_  
Model:                      Type:                      Code:

**Power Ratings:** The gross power rating for individual gasoline engine models is labeled in accordance with SAE (Society of Automotive Engineers) code J1940 Small Engine Power & Torque Rating Procedure, and is rated in accordance with SAE J1995. Torque values are derived at 2600 RPM for those engines with "rpm" called out on the label and 3060 RPM for all others; horsepower values are derived at 3600 RPM. The gross power curves can be viewed at [www.BRIGGSandSTRATTON.COM](http://www.BRIGGSandSTRATTON.COM). Net power values are taken with exhaust and air cleaner installed whereas gross power values are collected without these attachments. Actual gross engine power will be higher than net engine power and is affected by, among other things, ambient operating conditions and engine-to-engine variability. Given the wide array of products on which engines are placed, the gasoline engine may not develop the rated gross power when used in a given piece of power equipment. This difference is due to a variety of factors including, but not limited to, the variety of engine components (air cleaner, exhaust, charging, cooling, carburetor, fuel pump, etc.), application limitations, ambient operating conditions (temperature, humidity, altitude), and engine-to-engine variability. Due to manufacturing and capacity limitations, Briggs & Stratton may substitute an engine of higher rated power for this engine.

## Operator Safety

### SAFETY AND CONTROL SYMBOLS



The safety alert symbol is used to identify safety information about hazards that can result in personal injury. A signal word (DANGER, WARNING, or CAUTION) is used with the alert symbol to indicate the likelihood and the potential severity of injury. In addition, a hazard symbol may be used to represent the type of hazard.

- DANGER** indicates a hazard which, if not avoided, **will result in death or serious injury.**
- WARNING** indicates a hazard which, if not avoided, **could result in death or serious injury.**
- CAUTION** indicates a hazard which, if not avoided, **could result in minor or moderate injury.**

**NOTICE** indicates a situation that **could result in damage to the product.**

**WARNING**  
Certain components in this product and its related accessories contain chemicals known to the State of California to cause cancer, birth defects, or other reproductive harm. Wash hands after handling.

**WARNING**  
The engine exhaust from this product contains chemicals known to the State of California to cause cancer, birth defects, or other reproductive harm.

**WARNING**  
Briggs & Stratton Engines are not designed for and are not to be used to power: fun-karts; go-karts; children's, recreational, or sport all-terrain vehicles (ATVs); motorbikes; hovercraft; aircraft products; or vehicles used in competitive events not sanctioned by Briggs & Stratton. For information about competitive racing products, see [www.briggsracing.com](http://www.briggsracing.com). For use with utility and side-by-side ATVs, please contact Briggs & Stratton Engine Application Center, 1-866-927-3349. Improper engine application may result in serious injury or death.

**NOTICE:** This engine was shipped from Briggs & Stratton without oil. Before you start the engine, make sure you add oil according to the instructions in this manual. If you start the engine without oil, it will be damaged beyond repair and will not be covered under warranty.



## WARNING



**Fuel and its vapors are extremely flammable and explosive.  
Fire or explosion can cause severe burns or death.**

### When Adding Fuel

- Turn engine off and let engine cool at least 2 minutes before removing the fuel cap.
- Fill fuel tank outdoors or in well-ventilated area.
- Do not overfill fuel tank. To allow for expansion of the fuel, do not fill above the bottom of the fuel tank neck.
- Keep fuel away from sparks, open flames, pilot lights, heat, and other ignition sources.
- Check fuel lines, tank, cap, and fittings frequently for cracks or leaks. Replace if necessary
- If fuel spills, wait until it evaporates before starting engine.

### When Starting Engine

- Ensure that spark plug, muffler, fuel cap and air cleaner (if equipped) are in place and secured.
- Do not crank engine with spark plug removed.
- If engine floods, set choke (if equipped) to OPEN/RUN position, move throttle (if equipped) to FAST position and crank until engine starts.

### When Operating Equipment

- Do not tip engine or equipment at angle which causes fuel to spill.
- Do not choke the carburetor to stop engine.
- Never start or run the engine with the air cleaner assembly (if equipped) or the air filter (if equipped) removed.

### When Changing Oil

- When you drain the oil from the top oil fill tube, the fuel tank must be empty or fuel can leak out and result in a fire or explosion.

### When Tipping Unit for Maintenance

- When performing maintenance that requires the unit to be tipped, the fuel tank must be empty or fuel can leak out and result in a fire or explosion.

### When Transporting Equipment

- Transport with fuel tank EMPTY or with fuel shut-off valve OFF.

### When Storing Fuel Or Equipment With Fuel In Tank

- Store away from furnaces, stoves, water heaters or other appliances that have pilot lights or other ignition sources because they can ignite fuel vapors.



## WARNING



**Rapid retraction of starter cord (kickback) will pull hand and arm toward engine faster than you can let go.**

**Broken bones, fractures, bruises or sprains could result.**

- When starting engine, pull the starter cord slowly until resistance is felt and then pull rapidly to avoid kickback.
- Remove all external equipment/engine loads before starting engine.
- Direct-coupled equipment components such as, but not limited to, blades, impellers, pulleys, sprockets, etc., must be securely attached.



## WARNING



**Rotating parts can contact or entangle hands, feet, hair, clothing, or accessories.**

**Traumatic amputation or severe laceration can result.**

- Operate equipment with guards in place.
- Keep hands and feet away from rotating parts.
- Tie up long hair and remove jewelry.
- Do not wear loose-fitting clothing, dangling drawstrings or items that could become caught.



## WARNING



**Running engines produce heat. Engine parts, especially muffler, become extremely hot.**

**Severe thermal burns can occur on contact.**



**Combustible debris, such as leaves, grass, brush, etc. can catch fire.**

- Allow muffler, engine cylinder and fins to cool before touching.
- Remove accumulated debris from muffler area and cylinder area.
- It is a violation of California Public Resource Code, Section 4442, to use or operate the engine on any forest-covered, brush-covered, or grass-covered land unless the exhaust system is equipped with a spark arrester, as defined in Section 4442, maintained in effective working order. Other states or federal jurisdictions may have similar laws. Contact the original equipment manufacturer, retailer, or dealer to obtain a spark arrester designed for the exhaust system installed on this engine.



## WARNING



**Starting engine creates sparking.  
Sparking can ignite nearby flammable gases.  
Explosion and fire could result.**

- If there is natural or LP gas leakage in area, do not start engine.
- Do not use pressurized starting fluids because vapors are flammable.



## WARNING



**POISONOUS GAS HAZARD. Engine exhaust contains carbon monoxide, a poisonous gas that could kill you in minutes. You CANNOT see it, smell it, or taste it. Even if you do not smell exhaust fumes, you could still be exposed to carbon monoxide gas. If you start to feel sick, dizzy, or weak while using this product, shut it off and get to fresh air RIGHT AWAY. See a doctor. You may have carbon monoxide poisoning.**

- Operate this product ONLY outside far away from windows, doors and vents to reduce the risk of carbon monoxide gas from accumulating and potentially being drawn towards occupied spaces.
- Install battery-operated carbon monoxide alarms or plug-in carbon monoxide alarms with battery back-up according to the manufacturer's instructions. Smoke alarms cannot detect carbon monoxide gas.
- DO NOT run this product inside homes, garages, basements, crawlspaces, sheds, or other partially-enclosed spaces even if using fans or opening doors and windows for ventilation. Carbon monoxide can quickly build up in these spaces and can linger for hours, even after this product has shut off.
- ALWAYS place this product downwind and point the engine exhaust away from occupied spaces.



## WARNING



**Unintentional sparking can result in fire or electric shock.**

**Unintentional start-up can result in entanglement, traumatic amputation, or laceration.**

**Fire hazard**



### Before performing adjustments or repairs:

- Disconnect the spark plug wire and keep it away from the spark plug.
- Disconnect battery at negative terminal (only engines with electric start.)
- Use only correct tools.
- Do not tamper with governor spring, links or other parts to increase engine speed.
- Replacement parts must be of the same design and installed in the same position as the original parts. Other parts may not perform as well, may damage the unit, and may result in injury.
- Do not strike the flywheel with a hammer or hard object because the flywheel may later shatter during operation.

### When testing for spark:

- Use approved spark plug tester.
- Do not check for spark with spark plug removed.

# Features and Controls

Compare the illustration **1** with your engine to familiarize yourself with the location of various features and controls.

- A. Engine Identification  
**Model Type Code**
- B. Spark Plug
- C. Air Cleaner
- D. Dipstick/Oil Fill
- E. Oil Filter (optional)
- F. Oil Drain Plug
- G. Oil Pressure Sensor
- H. Finger Guard
- I. Electric Starter
- J. Rewind Starter (optional)
- K. Carburetor
- L. Exhaust Manifold
- M. Fuel Pump
- N. Fuel Filter (optional)
- O. Oil Cooler (optional)
- P. Muffler (optional)

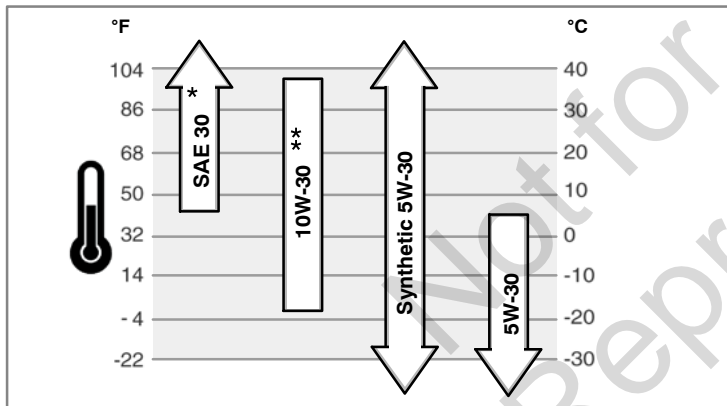
## Operation

Oil capacity (see the **Specifications** section)

### Oil Recommendations

We recommend the use of Briggs & Stratton Warranty Certified oils for best performance. Other high-quality detergent oils are acceptable if classified for service SF, SG, SH, SJ or higher. Do not use special additives.

Outdoor temperatures determine the proper oil viscosity for the engine. Use the chart to select the best viscosity for the outdoor temperature range expected.



\* Below 40°F (4°C) the use of SAE 30 will result in hard starting.

\*\* Above 80°F (27°C) the use of 10W-30 may cause increased oil consumption. Check oil level more frequently.

### How To Check/Add Oil - Figure 2

#### Before adding or checking the oil

- Place engine level.
  - Clean the oil fill area of any debris.
1. Remove the dipstick (A) and wipe with a clean cloth (Figure 2).
  2. Fully insert the dipstick.
  3. Remove the dipstick and check the oil level. It should be at the top of the full indicator (B) on the dipstick.
  4. If low, add oil slowly into the engine oil fill (C). **Do not overfill.** After adding oil, wait one minute and then recheck the oil level.
  5. Fully insert the dipstick.

#### Low Oil Protection System (if equipped)

Some engines are equipped with a low oil sensor. If the oil is low, the sensor will either activate a warning light or stop the engine. Stop the engine and follow these steps before restarting the engine.

- Make sure the engine is level.
- Check the oil level. See the **How To Check/Add Oil** section.
- If the oil level is low, add the proper amount of oil. Start the engine and make sure the warning light (if equipped) is not activated.

en

- If the oil level is not low, **do not start** the engine. Contact an Authorized Briggs & Stratton Dealer to have the the oil problem corrected.

### Fuel Recommendations

#### Fuel must meet these requirements:

- Clean, fresh, unleaded gasoline.
- A minimum of 87 octane/87 AKI (91 RON). High altitude use, see below.
- Gasoline with up to 10% ethanol (gasohol) is acceptable.

**NOTICE:** Do not use unapproved gasolines, such as E15 and E85. Do not mix oil in gasoline or modify the engine to run on alternate fuels. Use of unapproved fuels will cause damage to engine components, which will not be covered under warranty.

To protect the fuel system from gum formation, mix a fuel stabilizer into the fuel. See **Storage**. All fuel is not the same. If starting or performance problems occur, change fuel providers or change brands. This engine is certified to operate on gasoline. The emissions control system for this engine is EM (Engine Modifications).

#### High Altitude

At altitudes over 5,000 feet (1524 meters), a minimum 85 octane/85 AKI (89 RON) gasoline is acceptable.

For carbureted engines, high altitude adjustment is required to remain emissions compliant. Operation without this adjustment will cause decreased performance, increased fuel consumption, and increased emissions. Contact a Briggs & Stratton Authorized Service Dealer for high altitude adjustment information. Operation of the engine at altitudes below 2,500 feet (762 meters) with the high altitude adjustment is not recommended.

For Electronic Fuel Injection (EFI) engines, no high altitude adjustment is necessary.

### How To Add Fuel - Figure 3



#### WARNING

**Fuel and its vapors are extremely flammable and explosive. Fire or explosion can cause severe burns or death.**

#### When Adding Fuel

- Turn engine off and let engine cool at least 2 minutes before removing the fuel cap.
- Fill fuel tank outdoors or in well-ventilated area.
- Do not overfill fuel tank. To allow for expansion of the fuel, do not fill above the bottom of the fuel tank neck.
- Keep fuel away from sparks, open flames, pilot lights, heat, and other ignition sources.
- Check fuel lines, tank, cap, and fittings frequently for cracks or leaks. Replace if necessary
- If fuel spills, wait until it evaporates before starting engine.

1. Clean the fuel cap area of dirt and debris. Remove the fuel cap (A, Figure 3).
2. Fill the fuel tank (B) with fuel. To allow for expansion of the fuel, do not fill above the bottom of the fuel tank neck (C).
3. Reinstall the fuel cap.

### How To Start The Engine - Figure 4



#### WARNING

**Rapid retraction of starter cord (kickback) will pull hand and arm toward engine faster than you can let go.**

**Broken bones, fractures, bruises or sprains could result.**

- When starting engine, pull the starter cord slowly until resistance is felt and then pull rapidly to avoid kickback.



#### WARNING

**Fuel and its vapors are extremely flammable and explosive. Fire or explosion can cause severe burns or death.**

#### When Starting Engine

- Ensure that spark plug, muffler, fuel cap and air cleaner (if equipped) are in place and secured.
- Do not crank engine with spark plug removed.
- If engine floods, set choke (if equipped) to OPEN/RUN position, move throttle (if equipped) to FAST position and crank until engine starts.





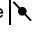
### WARNING

**POISONOUS GAS HAZARD.** Engine exhaust contains carbon monoxide, a poisonous gas that could kill you in minutes. You CANNOT see it, smell it, or taste it. Even if you do not smell exhaust fumes, you could still be exposed to carbon monoxide gas. If you start to feel sick, dizzy, or weak while using this product, shut it off and get to fresh air RIGHT AWAY. See a doctor. You may have carbon monoxide poisoning.

- Operate this product ONLY outside far away from windows, doors and vents to reduce the risk of carbon monoxide gas from accumulating and potentially being drawn towards occupied spaces.
- Install battery-operated carbon monoxide alarms or plug-in carbon monoxide alarms with battery back-up according to the manufacturer's instructions. Smoke alarms cannot detect carbon monoxide gas.
- DO NOT run this product inside homes, garages, basements, crawlspaces, sheds, or other partially-enclosed spaces even if using fans or opening doors and windows for ventilation. Carbon monoxide can quickly build up in these spaces and can linger for hours, even after this product has shut off.
- ALWAYS place this product downwind and point the engine exhaust away from occupied spaces.

**NOTICE:** This engine was shipped from Briggs & Stratton without oil. Before you start the engine, make sure you add oil according to the instructions in this manual. If you start the engine without oil, it will be damaged beyond repair and will not be covered under warranty.


*Note:* Some engines and equipment have remote controls. See the equipment manual for location and operation of remote controls.

1. Check the oil level. See the **How To Check/Add Oil** section.
2. Make sure equipment drive controls, if equipped, are disengaged.
3. Turn the fuel shut-off valve (A), if equipped, to the on position (Figure 4).
4. Push the stop switch (F), if equipped, to the on position.
5. Move the throttle control (B) to the fast  position. Operate the engine in the fast  position.
6. Move the choke control (C) to the choke  position.  
*Note:* Choke is usually unnecessary when restarting a warm engine.
7. **Rewind Start:** Turn the key switch (D), if equipped, to the run position.
8. **Rewind Start:** Firmly hold the starter cord handle (E). Pull the starter cord handle slowly until resistance is felt, then pull rapidly.

**NOTE:** If the engine does not start after repeated attempts, contact your local dealer or go to [VanguardEngines.com](http://VanguardEngines.com) or call 1-800-999-9333 (in USA).



**WARNING:** Rapid retraction of the starter cord (kickback) will pull your hand and arm toward the engine faster than you can let go. Broken bones, fractures, bruises or sprains could result. When starting engine, pull the starter cord slowly until resistance is felt and then pull rapidly to avoid kickback.

9. **Electric Start:** Turn the electric start switch (D) to the on/start position.  
*NOTE:* If the engine does not start after repeated attempts, contact your local dealer or go to [VanguardEngines.com](http://VanguardEngines.com) or call 1-800-999-9333 (in USA).  
**NOTICE:** To extend the life of the starter, use short starting cycles (five seconds maximum). Wait one minute between starting cycles.
10. As the engine warms up, move the choke control (C) to the run  position.


### How To Stop The Engine - Figure 4



### WARNING

**Fuel and its vapors are extremely flammable and explosive. Fire or explosion can cause severe burns or death.**

- Do not choke the carburetor to stop engine.

1. With the throttle control (B) in the slow  position, turn the key switch (D) to the off position (Figure 4). Remove the key and keep in a safe place out of the reach of children.
2. Push the stop switch (F) to the off position.
3. After the engine stops, turn the fuel shut-off valve (A), if equipped, to the closed position.

## Maintenance

We recommend that you see any Briggs & Stratton Authorized Dealer for all maintenance and service of the engine and engine parts.

**NOTICE:** All the components used to build this engine must remain in place for proper operation.



**WARNING:** When performing maintenance that requires the unit to be tipped, the fuel tank must be empty or fuel can leak out and result in a fire or explosion.

### Emissions Control

**Maintenance, replacement, or repair of the emissions control devices and systems may be performed by any off-road engine repair establishment or individual.** However, to obtain "no charge" emissions control service, the work must be performed by a factory authorized dealer. See the Emissions Warranty.



### WARNING

**Unintentional sparking can result in fire or electric shock. Unintentional start-up can result in entanglement, traumatic amputation, or laceration.**



**Fire hazard**



#### Before performing adjustments or repairs:

- Disconnect the spark plug wire and keep it away from the spark plug.
- Disconnect battery at negative terminal (only engines with electric start.)
- Use only correct tools.
- Do not tamper with governor spring, links or other parts to increase engine speed.
- Replacement parts must be of the same design and installed in the same position as the original parts. Other parts may not perform as well, may damage the unit, and may result in injury.
- Do not strike the flywheel with a hammer or hard object because the flywheel may later shatter during operation.

#### When testing for spark:

- Use approved spark plug tester.
- Do not check for spark with spark plug removed.

### Maintenance Chart

#### Every 8 Hours or Daily

- Check engine oil level
- Clean area around muffler and controls

#### Every 100 Hours or Annually

- Clean or change air filter \*
- Clean pre-cleaner (if equipped) \*
- Change engine oil and filter
- Replace spark plug
- Check muffler and spark arrester

#### Every 250 Hours or Annually

- Check valve clearance. Adjust if necessary.

#### Every 400 Hours or Annually

- Change air filter
- Replace fuel filter
- Clean air cooling system \*
- Clean oil cooler fins \*

\* In dusty conditions or when airborne debris is present, clean more often.

### Carburetor And Engine Speed Adjustment

Never make adjustments to the carburetor or engine speed. The carburetor was set at the factory to operate efficiently under most conditions. Do not tamper with the governor spring, linkages, or other parts to change the engine speed. If any adjustments are required contact a Briggs & Stratton Authorized Service Center for service.

**NOTICE:** The equipment manufacturer specifies the maximum speed for the engine as installed on the equipment. **Do not exceed** this speed. If you are unsure what the equipment maximum speed is, or what the engine speed is set to from the factory, contact a Briggs & Stratton Authorized Service Center for assistance. For safe and proper operation of the equipment, the engine speed should be adjusted only by a qualified service technician.



## How To Replace The Spark Plug - Figure 5

Check the gap (A, Figure 5) with a wire gauge (B). If necessary, reset the gap. Install and tighten the spark plug to the recommended torque. For gap setting or torque, see the **Specifications** section.

*Note:* In some areas, local law requires using a resistor spark plug to suppress ignition signals. If this engine was originally equipped with a resistor spark plug, use the same type for replacement.

## Inspect Muffler And Spark Arrester - Figure 6



### WARNING



Running engines produce heat. Engine parts, especially muffler, become extremely hot.



Severe thermal burns can occur on contact.

Combustible debris, such as leaves, grass, brush, etc. can catch fire.

- Allow muffler, engine cylinder and fins to cool before touching.
- Remove accumulated debris from muffler area and cylinder area.
- It is a violation of California Public Resource Code, Section 4442, to use or operate the engine on any forest-covered, brush-covered, or grass-covered land unless the exhaust system is equipped with a spark arrester, as defined in Section 4442, maintained in effective working order. Other states or federal jurisdictions may have similar laws. Contact the original equipment manufacturer, retailer, or dealer to obtain a spark arrester designed for the exhaust system installed on this engine.

Remove accumulated debris from muffler area and cylinder area. Inspect the muffler (A, Figure 6) for cracks, corrosion, or other damage. Remove the spark arrester (B), if equipped, and inspect for damage or carbon blockage. If damage is found, install replacement parts before operating.



**WARNING:** Replacement parts must be of the same design and installed in the same position as the original parts. Other parts may not perform as well, may damage the unit, and may result in injury.

## How To Change The Oil - Figure 7 8 9 10

Used oil is a hazardous waste product and must be disposed of properly. Do not discard with household waste. Check with your local authorities, service center, or dealer for safe disposal/recycling facilities.

### Remove Oil

1. With engine off but still warm, disconnect the spark plug wire (A) and keep it away from the spark plug (Figure 7).
2. Remove the oil drain plug (B, Figure 8). Drain the oil into an approved container.
3. After the oil has drained, install and tighten the oil drain plug.

### Change The Oil Filter (if equipped)

Some models are equipped with oil filter. For replacement intervals, see the **Maintenance** chart.

1. Drain the oil from the engine. See **Remove Oil** section.
2. Remove the oil filter (C) and dispose of properly. See Figure 9.
3. Before you install the new oil filter, lightly lubricate the oil filter gasket with fresh, clean oil.
4. Install the oil filter by hand until the gasket contacts the oil filter adapter, then tighten the oil filter 1/2 to 3/4 turns.
5. Add oil. See **Add Oil** section.
6. Start and run the engine. As the engine warms up, check for oil leaks.
7. Stop the engine and check the oil level. It should be at the top of the full indicator (F) on the dipstick (Figure 10).

### Add Oil

- Place engine level.
  - Clean the oil fill area of any debris.
  - See the **Specifications** section for oil capacity.
1. Remove the dipstick (D) and wipe with a clean cloth (Figure 10).
  2. Pour the oil slowly into the engine oil fill (E). **Do not overfill.** After adding oil, wait one minute and then check the oil level.
  3. Install and tighten the dipstick.
  4. Remove the dipstick and check the oil level. It should be at the top of the full indicator (F) on the dipstick.
  5. Install and tighten the dipstick.

en

## How To Service The Air Filter - Figure 11



### WARNING



Fuel and its vapors are extremely flammable and explosive. Fire or explosion can cause severe burns or death.



- Never start or run the engine with the air cleaner assembly (if equipped) or the air filter (if equipped) removed.

**NOTICE:** Do not use pressurized air or solvents to clean the filter. Pressurized air can damage the filter and solvents will dissolve the filter.

See the **Maintenance Chart** for service requirements.

1. Open the latches (A) and remove the cover (B). See Figure 11.
2. Remove the nut (D) and the retainer (E).
3. Remove the air filter (F).
4. Remove the pre-cleaner (G), if equipped, from the air filter.
5. To loosen debris, gently tap the air filter on a hard surface. If the air filter is excessively dirty, replace with a new air filter.
6. Wash the pre-cleaner in liquid detergent and water. Then allow it to thoroughly air dry. **Do not** oil the pre-cleaner.
7. Assemble the dry pre-cleaner to the air filter.
8. Install the air filter and secure with retainer and nut.
9. Install and secure the cover.

## How To Replace The Fuel Filter - Figure 12



### WARNING



Fuel and its vapors are extremely flammable and explosive. Fire or explosion can cause severe burns or death.



- Keep fuel away from sparks, open flames, pilot lights, heat, and other ignition sources.
- Check fuel lines, tank, cap, and fittings frequently for cracks or leaks. Replace if necessary.
- Before replacing the fuel filter, drain the fuel tank or close the fuel shut-off valve.
- Replacement parts must be the same and installed in the same position as the original parts.
- If fuel spills, wait until it evaporates before starting engine.

1. Before replacing the fuel filter (A, Figure 12), if equipped, drain the fuel tank or close the fuel shut-off valve. Otherwise, fuel can leak out and cause a fire or explosion.
2. Use pliers to squeeze tabs (B) on the clamps (C), then slide the clamps away from the fuel filter. Twist and pull the fuel lines (D) off the fuel filter.
3. Check the fuel lines for cracks or leaks. Replace if necessary.
4. Replace the fuel filter with an original equipment replacement filter.
5. Secure the fuel lines with the clamps as shown.

## How To Clean The Air Cooling System - Figure 13



### WARNING



Running engines produce heat. Engine parts, especially muffler, become extremely hot.



Severe thermal burns can occur on contact.

Combustible debris, such as leaves, grass, brush, etc. can catch fire.

- Allow muffler, engine cylinder and fins to cool before touching.
- Remove accumulated debris from muffler area and cylinder area.

**NOTICE:** Do not use water to clean the engine. Water could contaminate the fuel system. Use a brush or dry cloth to clean the engine.

This is an air cooled engine. Dirt or debris can restrict air flow and cause the engine to overheat, resulting in poor performance and reduced engine life.

Use a brush or dry cloth to remove debris from the finger guard (A). Keep linkage, springs and controls (B) clean. Keep the area around and behind the muffler (C) free of any combustible debris (Figure 13). Make sure that the oil cooler fins (D) are free of dirt and debris.

## Storage



### WARNING



Fuel and its vapors are extremely flammable and explosive. Fire or explosion can cause severe burns or death.

#### When Storing Fuel Or Equipment With Fuel In Tank

- Store away from furnaces, stoves, water heaters or other appliances that have pilot lights or other ignition sources because they can ignite fuel vapors.

## Fuel System

Fuel can become stale when stored over 30 days. Stale fuel causes acid and gum deposits to form in the fuel system or on essential carburetor parts. To keep fuel fresh,

use **Briggs & Stratton Advanced Formula Fuel Treatment & Stabilizer**, available wherever Briggs & Stratton genuine service parts are sold.

There is no need to drain gasoline from the engine if a fuel stabilizer is added according to instructions. Run the engine for 2 minutes to circulate the stabilizer throughout the fuel system before storage.

If gasoline in the engine has not been treated with a fuel stabilizer, it must be drained into an approved container. Run the engine until it stops from lack of fuel. The use of a fuel stabilizer in the storage container is recommended to maintain freshness.

## Engine Oil

While the engine is still warm, change the engine oil.

## Troubleshooting

Need Assistance? Go to [VanguardEngines.com](http://VanguardEngines.com) or call **1-800-999-9333** (in USA).

# Specifications

Engine Specifications	
Model	290000
Displacement	29.23 ci (479 cc)
Bore	2.677 in (68 mm)
Stroke	2.598 in (66 mm)
Oil Capacity	46 - 48 oz (1.36 - 1.42 L)

Engine Specifications	
Model	300000
Displacement	29.23 ci (479 cc)
Bore	2.677 in (68 mm)
Stroke	2.598 in (66 mm)
Oil Capacity	46 - 48 oz (1.36 - 1.42 L)

Engine Specifications	
Model	350000
Displacement	34.78 ci (570 cc)
Bore	2.835 in (72 mm)
Stroke	2.756 in (70 mm)
Oil Capacity	46 - 48 oz (1.36 - 1.42 L)

Engine Specifications	
Model	380000
Displacement	38.26 ci (627 cc)
Bore	2.972 in (75.5 mm)
Stroke	2.756 in (70 mm)
Oil Capacity	46 - 48 oz (1.36 - 1.42 L)

Tune-up Specifications *	
Model	290000, 300000
Spark Plug Gap	0.030 in (0.76 mm)
Spark Plug Torque	180 lb-in (20 Nm)
Armature Air Gap	0.008 - 0.012 in (0.20 - 0.30 mm)
Intake Valve Clearance	0.004 - 0.006 in (0.10 - 0.15 mm)
Exhaust Valve Clearance	0.004 - 0.006 in (0.10 - 0.15 mm)

Tune-up Specifications *	
Model	350000, 380000
Spark Plug Gap	0.030 in (0.76 mm)
Spark Plug Torque	180 lb-in (20 Nm)
Armature Air Gap	0.008 - 0.012 in (0.20 - 0.30 mm)
Intake Valve Clearance	0.004 - 0.006 in (0.10 - 0.15 mm)
Exhaust Valve Clearance	0.004 - 0.006 in (0.10 - 0.15 mm)

\* Engine power will decrease 3.5% for each 1,000 feet (300 meters) above sea level and 1% for each 10° F (5.6° C) above 77° F (25° C). The engine will operate satisfactorily at an angle up to 15°. Refer to the equipment operator's manual for safe allowable operating limits on slopes.

## Common Service Parts

Service Part	Part Number
Air Filter - except model: 358700, 380000	394018
Air Filter - model: 358700, 380000	692519
Air Filter Pre-cleaner - except model: 358700, 380000	272490
Air Filter Pre-cleaner - model: 358700, 380000	692520
Oil - SAE 30	100028
Oil Filter - 6 cm long	492932
Oil Filter - 9 cm long	491056

Service Part	Part Number
Fuel Filter - with fuel tank	808116
Fuel Filter - with fuel pump	691035
Fuel Filter - without fuel pump	298090
Advanced Formula Fuel Treatment & Stabilizer	100117, 100120
Resistor Spark Plug	491055
Long Life Platinum Spark Plug	5066
Spark Plug Wrench	19374
Spark Tester	19368

We recommend that you see any Briggs & Stratton Authorized Dealer for all maintenance and service of the engine and engine parts.

**LIMITED WARRANTY**

Briggs & Stratton warrants that, during the warranty period specified below, it will repair or replace, free of charge, any part that is defective in material or workmanship or both. Transportation charges on product submitted for repair or replacement under this warranty must be borne by purchaser. This warranty is effective for and is subject to the time periods and conditions stated below. For warranty service, find the nearest Authorized Service Dealer in our dealer locator map at BRIGGSandSTRATTON.COM. The purchaser must contact the Authorized Service Dealer, and then make the product available to the Authorized Service Dealer for inspection and testing.

**There is no other express warranty. Implied warranties, including those of merchantability and fitness for a particular purpose, are limited to the warranty period listed below, or to the extent permitted by law. Liability for incidental or consequential damages are excluded to the extent exclusion is permitted by law.** Some states or countries do not allow limitations on how long an implied warranty lasts, and some states or countries do not allow the exclusion or limitation of incidental or consequential damages, so the above limitation and exclusion may not apply to you. This warranty gives you specific legal rights and you may also have other rights which vary from state to state and country to country. \*\*

**STANDARD WARRANTY TERMS \* ▲**

Brand/Product Type	Consumer Use	Commercial Use
Vanguard™ ■	3 years	3 years
Commercial Turf Series™	2 years	2 years
Engines Featuring Dura-Bore™ Cast Iron Sleeve	2 years	1 year
All Other Briggs & Stratton Engines	2 years	90 days

- \* These are our standard warranty terms, but occasionally there may be additional warranty coverage that was not determined at time of publication. For a listing of current warranty terms for your engine, go to BRIGGSandSTRATTON.COM or contact your Briggs & Stratton Authorized Service Dealer.
- \*\* In Australia - Our goods come with guarantees that cannot be excluded under the Australian Consumer Law. You are entitled to a replacement or refund for a major failure and for compensation for any other reasonably foreseeable loss or damage. You are also entitled to have the goods repaired or replaced if the goods fail to be of acceptable quality and the failure does not amount to a major failure. For warranty service, find the nearest Authorized Service Dealer in our dealer locator map at BRIGGSandSTRATTON.COM, or by calling 1300 274 447, or by emailing or writing to salesenquiries@briggsandstratton.com.au, Briggs & Stratton Australia Pty Ltd, 1 Moorebank Avenue, Moorebank, NSW, Australia, 2170.
- ▲ There is no warranty for engines on equipment used for prime power in place of a utility or for standby generators used for commercial purposes. Engines used in competitive racing or on commercial or rental tracks are not warranted.
- Vanguard installed on standby generators: 2 years consumer use, no warranty commercial use. Vanguard installed on utility vehicles: 2 years consumer use, 2 years commercial use. Vanguard 3-cylinder liquid cooled: see Briggs & Stratton 3/LC Engine Warranty Policy.

The warranty period begins on the date of purchase by the first retail or commercial consumer. "Consumer use" means personal residential household use by a retail consumer. "Commercial use" means all other uses, including use for commercial, income producing or rental purposes. Once an engine has experienced commercial use, it shall thereafter be considered as a commercial use engine for purposes of this warranty.

**Save your proof of purchase receipt. If you do not provide proof of the initial purchase date at the time warranty service is requested, the manufacturing date of the product will be used to determine the warranty period. Product registration is not required to obtain warranty service on Briggs & Stratton products.**

**About Your Warranty**

This limited warranty covers engine-related material and/or workmanship issues only, and not replacement or refund of the equipment to which the engine may be mounted. Routine maintenance, tune-ups, adjustments, or normal wear and tear are not covered under this warranty. Similarly, warranty is not applicable if the engine has been altered or modified or if the engine serial number has been defaced or removed. This warranty does not include used, reconditioned, second-hand, or demonstration equipment or engines. This warranty does not cover engine damage or performance problems caused by:

- 1 The use of parts that are not original Briggs & Stratton parts;
- 2 Operating the engine with insufficient, contaminated, or an incorrect grade of lubricating oil;
- 3 The use of contaminated or stale fuel, gasoline formulated with ethanol greater than 10%, or the use of alternative fuels such as liquefied petroleum or natural gas on engines not originally designed/manufactured by Briggs & Stratton to operate on such fuels;
- 4 Dirt which entered the engine because of improper air cleaner maintenance or re-assembly;

- 5 Striking an object with the cutter blade of a rotary lawn mower, loose or improperly installed blade adapters, impellers, or other crankshaft coupled devices, or excessive v-belt tightness;
- 6 Associated parts or assemblies such as clutches, transmissions, equipment controls, etc., which are not supplied by Briggs & Stratton;
- 7 Overheating due to grass clippings, dirt and debris, or rodent nests which plug or clog the cooling fins or flywheel area, or by operating the engine without sufficient ventilation;
- 8 Excessive vibration due to over-speeding, loose engine mounting, loose or unbalanced cutter blades or impellers, or improper coupling of equipment components to the crankshaft;
- 9 Misuse, lack of routine maintenance, shipping, handling, or warehousing of equipment, or improper engine installation.

**Warranty service is available only through Briggs & Stratton Authorized Service Dealers. Locate your nearest Authorized Service Dealer in our dealer locator map at BRIGGSandSTRATTON.COM or by calling 1-800-233-3723 (in USA).**

**California, U.S. EPA, and Briggs & Stratton Corporation Emissions Control Warranty Statement**  
**Your Warranty Rights And Obligations**  
**For Briggs & Stratton Engine Models with "F" Trim Designation**  
**(Model-Type-Trim Representation xxxxxx xxxx Fx)**

The California Air Resources Board, U.S. EPA, and Briggs & Stratton (B&S) are pleased to explain the emissions control system warranty on your Model Year 2015-2017 engine/equipment. In California, new small off-road engines and large spark ignited engines less than or equal to 1.0 liter must be designed, built, and equipped to meet the State's stringent anti-smog standards. B&S must warrant the emissions control system on your engine/equipment for the periods of time listed below provided there has been no abuse, neglect, or improper maintenance of your engine/equipment.

Your exhaust emissions control system may include parts such as the carburetor or fuel injection system, ignition system, and catalytic converter. Also included may be hoses, belts, connectors, sensors, and other emissions-related assemblies. Your evaporative emission control system may include parts such as: carburetors, fuel tanks, fuel lines, fuel caps, valves, canisters, filters, vapor hoses, clamps, connectors, and other associated components.

Where a warrantable condition exists, B&S will repair your engine/equipment at no cost to you including diagnosis, parts, and labor.

**Manufacturer's Warranty Coverage:**

Small off-road engines and large spark ignited engines less than or equal to 1.0 liter, and any related emissions components of the equipment, are warranted for two years, or for the time period listed in the respective engine or product warranty statement,

whichever is greater. If any emissions-related part on your B&S engine/equipment is defective, the part will be repaired or replaced by B&S.

**Owner's Warranty Responsibilities:**

- As the engine/equipment owner, you are responsible for the performance of the required maintenance listed in your Operator's Manual. B&S recommends that you retain all receipts covering maintenance on your engine/equipment, but B&S cannot deny warranty solely for the lack of receipts or your failure to ensure the performance of all scheduled maintenance.
- As the engine/equipment owner, you should however be aware that B&S may deny you warranty coverage if your engine/equipment or a part has failed due to abuse, neglect, improper maintenance, or unapproved modifications.
- You are responsible for presenting your engine/equipment to a B&S distribution center, servicing dealer, or other equivalent entity, as applicable, as soon as a problem exists. The warranty repairs should be completed in a reasonable amount of time, not to exceed 30 days. If you have any questions regarding your warranty rights and responsibilities, you should contact B&S at 1-800-444-7774 (in USA) or BRIGGSandSTRATTON.COM.

**Briggs & Stratton Emissions Control Warranty Provisions**

The following are specific provisions relative to your Emissions Control Warranty Coverage. It is in addition to the B&S engine warranty for non-regulated engines found in the Operator's Manual.

**1. Warranted Emissions Parts**

Coverage under this warranty extends only to the parts listed below (the emissions control systems parts) to the extent these parts were present on the B&S engine and/or B&S supplied fuel system.

- a. Fuel Metering System
- Cold start enrichment system (soft choke)
  - Carburetor or fuel injection system
  - Oxygen sensor
  - Electronic control unit
  - Fuel pump module
  - Fuel line, fuel line fittings, clamps
  - Fuel tank, cap and tether
  - Carbon canister

- b. Air Induction System
- Air cleaner
  - Intake manifold
  - Purge and vent line

- c. Ignition System
- Spark plug(s)
  - Magneto ignition system

- d. Catalyst System
- Catalytic converter
  - Exhaust manifold
  - Air injection system or pulse valve

- e. Miscellaneous Items Used in Above Systems
- Vacuum, temperature, position, time sensitive valves and switches
  - Connectors and assemblies

**2. Length of Coverage**

Coverage is for a period of two years from date of original purchase, or for the time period listed in the respective engine or product warranty statement, whichever is greater. B&S warrants to the original purchaser and each subsequent purchaser that

the engine is designed, built, and equipped so as to conform with all applicable regulations adopted by the Air Resources Board; that it is free from defects in material and workmanship that could cause the failure of a warranted part; and that it is identical in all material respects to the engine described in the manufacturer's application for certification. The warranty period begins on the date the engine is originally purchased.

The warranty on emissions-related parts is as follows:

- Any warranted part that is not scheduled for replacement as required maintenance in the Operator's Manual supplied, is warranted for the warranty period stated above. If any such part fails during the period of warranty coverage, the part will be repaired or replaced by B&S at no charge to the owner. Any such part repaired or replaced under the warranty will be warranted for the remaining warranty period.
- Any warranted part that is scheduled only for regular inspection in the Operator's Manual supplied, is warranted for the warranty period stated above. Any such part repaired or replaced under warranty will be warranted for the remaining warranty period.
- Any warranted part that is scheduled for replacement as required maintenance in the Operator's Manual supplied, is warranted for the period of time prior to the first scheduled replacement point for that part. If the part fails prior to the first scheduled replacement, the part will be repaired or replaced by B&S at no charge to the owner. Any such part repaired or replaced under warranty will be warranted for the remainder of the period prior to the first scheduled replacement point for the part.
- Add-on or modified parts that are not exempted by the Air Resources Board may not be used. The use of any non-exempted add-on or modified parts by the owner will be grounds for disallowing a warranty claim. The manufacturer will not be liable to warrant failures of warranted parts caused by the use of a non-exempted add-on or modified part.

**3. Consequential Coverage**

Coverage shall extend to the failure of any engine components caused by the failure of any warranted emissions parts.

**4. Claims and Coverage Exclusions**

Warranty claims shall be filed according to the provisions of the B&S engine warranty policy. Warranty coverage does not apply to failures of emissions parts that are not original equipment B&S parts or to parts that fail due to abuse, neglect, or improper maintenance as set forth in the B&S engine warranty policy. B&S is not liable for warranty coverage of failures of emissions parts caused by the use of add-on or modified parts.

**Look For Relevant Emissions Durability Period and Air Index Information**  
**On Your Small Off-Road Engine Emissions Label**

Engines that are certified to meet the California Air Resources Board (CARB) small off-road Emissions Standard must display information regarding the Emissions Durability Period and the Air Index. Briggs & Stratton makes this information available to the consumer on our emissions labels. The engine emissions label will indicate certification information.

The **Emissions Durability Period** describes the number of hours of actual running time for which the engine is certified to be emissions compliant, assuming proper maintenance in accordance with the Operator's Manual. The following categories are used:

**Moderate:**

Engines at or less than 80 cc displacement are certified to be emissions compliant for 50 hours of actual engine running time. Engines greater than 80 cc displacement are certified to be emissions compliant for 125 hours of actual engine running time.

**Intermediate:**

Engines at or less than 80 cc displacement are certified to be emissions compliant for 125 hours of actual engine running time. Engines greater than 80 cc displacement are certified to be emissions compliant for 250 hours of actual engine running time.

**Extended:**

Engines at or less than 80 cc displacement are certified to be emissions compliant for 300 hours of actual engine running time. Engines greater than 80 cc displacement are certified to be emissions compliant for 500 hours of actual engine running time.

For example, a typical walk-behind lawn mower is used 20 to 25 hours per year.

Therefore, the **Emissions Durability Period** of an engine with an **intermediate** rating would equate to 10 to 12 years.

Briggs & Stratton engines are certified to meet the United States Environmental Protection Agency (USEPA) Phase 2 or Phase 3 emissions standards. The Emissions Compliance Period referred to on the Emissions Compliance label indicates the number of operating hours for which the engine has been shown to meet Federal emissions requirements.

For engines at or less than 80 cc displacement:

Category C = 50 hours, Category B = 125 hours, Category A = 300 hours

For engines greater than 80 cc displacement and less than 225 cc displacement:

Category C = 125 hours, Category B = 250 hours, Category A = 500 hours

For engines of 225 cc or more displacement:

Category C = 250 hours, Category B = 500 hours, Category A = 1000 hours

80008256 (Rev D)

**California, U.S. EPA, and Briggs & Stratton Corporation Emissions Control Warranty Statement**  
**Your Warranty Rights And Obligations**  
**For Briggs & Stratton Engine Models with "B" or "G" Trim Designation**  
**(Model-Type-Trim Representation xxxxxx xxxx Bx or xxxxxx xxxx Gx)**

The California Air Resources Board, U.S. EPA, and Briggs & Stratton (B&S) are pleased to explain the emissions control system warranty on your Model Year 2015-2017 engine. In California, new small off-road engines and large spark ignited engines less than or equal to 1.0 liter must be designed, built, and equipped to meet the State's stringent anti-smog standards. B&S must warrant the emissions control system on your engine for the periods of time listed below provided there has been no abuse, neglect, or improper maintenance of your engine.

Your exhaust emissions control system may include parts such as the carburetor or fuel injection system, ignition system, and catalytic converter. Also included may be hoses, belts, connectors, sensors, and other emissions-related assemblies.

Where a warrantable condition exists, B&S will repair your engine at no cost to you including diagnosis, parts, and labor.

**Manufacturer's Warranty Coverage:**

Small off-road engines and large spark ignited engines less than or equal to 1.0 liter, are warranted for two years, or for the time period listed in the respective engine or product warranty statement, whichever is greater. If any emissions-related part on your B&S engine is defective, the part will be repaired or replaced by B&S.

**Owner's Warranty Responsibilities:**

- As the engine owner, you are responsible for the performance of the required maintenance listed in your Operator's Manual. B&S recommends that you retain all receipts covering maintenance on your engine, but B&S cannot deny warranty solely for the lack of receipts or your failure to ensure the performance of all scheduled maintenance.
- As the engine owner, you should however be aware that B&S may deny you warranty coverage if your engine or a part has failed due to abuse, neglect, improper maintenance, or unapproved modifications.
- You are responsible for presenting your engine to a B&S distribution center, servicing dealer, or other equivalent entity, as applicable, as soon as a problem exists. The warranty repairs should be completed in a reasonable amount of time, not to exceed 30 days. If you have any questions regarding your warranty rights and responsibilities, you should contact B&S at 1-800-444-7774 (in USA) or BRIGGSandSTRATTON.COM.

**Briggs & Stratton Emissions Control Warranty Provisions**

The following are specific provisions relative to your Emissions Control Warranty Coverage. It is in addition to the B&S engine warranty for non-regulated engines found in the Operator's Manual.

**1. Warranted Emissions Parts**

Coverage under this warranty extends only to the parts listed below (the emissions control systems parts) to the extent these parts were present on the B&S engine.

**a. Fuel Metering System**

- Cold start enrichment system (soft choke)
- Carburetor or fuel injection system
- Oxygen sensor
- Electronic control unit
- Fuel pump module

**b. Air Induction System**

- Air cleaner
- Intake manifold

**c. Ignition System**

- Spark plug(s)
- Magneto ignition system

**d. Catalyst System**

- Catalytic converter
- Exhaust manifold
- Air injection system or pulse valve

**e. Miscellaneous Items Used in Above Systems**

- Vacuum, temperature, position, time sensitive valves and switches
- Connectors and assemblies

**2. Length of Coverage**

Coverage is for a period of two years from date of original purchase, or for the time period listed in the respective engine or product warranty statement, whichever is greater. B&S warrants to the original purchaser and each subsequent purchaser that the engine is designed, built, and equipped so as to conform with all applicable regulations adopted by the Air Resources Board; that it is free from defects in material and workmanship that could cause the failure of a warranted part; and that it

is identical in all material respects to the engine described in the manufacturer's application for certification. The warranty period begins on the date the engine is originally purchased.

The warranty on emissions-related parts is as follows:

- Any warranted part that is not scheduled for replacement as required maintenance in the Operator's Manual supplied, is warranted for the warranty period stated above. If any such part fails during the period of warranty coverage, the part will be repaired or replaced by B&S at no charge to the owner. Any such part repaired or replaced under the warranty will be warranted for the remaining warranty period.
  - Any warranted part that is scheduled only for regular inspection in the Operator's Manual supplied, is warranted for the warranty period stated above. Any such part repaired or replaced under warranty will be warranted for the remaining warranty period.
  - Any warranted part that is scheduled for replacement as required maintenance in the Operator's Manual supplied, is warranted for the period of time prior to the first scheduled replacement point for that part. If the part fails prior to the first scheduled replacement, the part will be repaired or replaced by B&S at no charge to the owner. Any such part repaired or replaced under warranty will be warranted for the remainder of the period prior to the first scheduled replacement point for the part.
  - Add-on or modified parts that are not exempted by the Air Resources Board may not be used. The use of any non-exempted add-on or modified parts by the owner will be grounds for disallowing a warranty claim. The manufacturer will not be liable to warrant failures of warranted parts caused by the use of a non-exempted add-on or modified part.
- 3. Consequential Coverage**  
Coverage shall extend to the failure of any engine components caused by the failure of any warranted emissions parts.
- 4. Claims and Coverage Exclusions**

Warranty claims shall be filed according to the provisions of the B&S engine warranty policy. Warranty coverage does not apply to failures of emissions parts that are not original equipment B&S parts or to parts that fail due to abuse, neglect, or improper maintenance as set forth in the B&S engine warranty policy. B&S is not liable for warranty coverage of failures of emissions parts caused by the use of add-on or modified parts.

**Look For Relevant Emissions Durability Period and Air Index Information**  
**On Your Small Off-Road Engine Emissions Label**

Engines that are certified to meet the California Air Resources Board (CARB) small off-road Emissions Standard must display information regarding the Emissions Durability Period and the Air Index. Briggs & Stratton makes this information available to the consumer on our emissions labels. The engine emissions label will indicate certification information.

The **Emissions Durability Period** describes the number of hours of actual running time for which the engine is certified to be emissions compliant, assuming proper maintenance in accordance with the Operator's Manual. The following categories are used:

**Moderate:**

Engines at or less than 80 cc displacement are certified to be emissions compliant for 50 hours of actual engine running time. Engines greater than 80 cc displacement are certified to be emissions compliant for 125 hours of actual engine running time.

**Intermediate:**

Engines at or less than 80 cc displacement are certified to be emissions compliant for 125 hours of actual engine running time. Engines greater than 80 cc displacement are certified to be emissions compliant for 250 hours of actual engine running time.

**Extended:**

Engines at or less than 80 cc displacement are certified to be emissions compliant for 300 hours of actual engine running time. Engines greater than 80 cc displacement are certified to be emissions compliant for 500 hours of actual engine running time.

For example, a typical walk-behind lawn mower is used 20 to 25 hours per year. Therefore, the **Emissions Durability Period** of an engine with an **intermediate** rating would equate to 10 to 12 years.

Briggs & Stratton engines are certified to meet the United States Environmental Protection Agency (USEPA) Phase 2 or Phase 3 emissions standards. The Emissions Compliance Period referred to on the Emissions Compliance label indicates the number of operating hours for which the engine has been shown to meet Federal emissions requirements.

For engines at or less than 80 cc displacement:

Category C = 50 hours, Category B = 125 hours, Category A = 300 hours

For engines greater than 80 cc displacement and less than 225 cc displacement:

Category C = 125 hours, Category B = 250 hours, Category A = 500 hours

For engines of 225 cc or more displacement:

Category C = 250 hours, Category B = 500 hours, Category A = 1000 hours

## Обща информация

Това ръководство съдържа сведения за безопасна работа, за да сте наясно с аварията и опасностите, свързани с тези двигатели и как да ги избягвате. То съдържа и инструкции за правилната им употреба и поддръжка. Тъй като в Корпорация Briggs & Stratton не биха могли да знаят каква машина ще се задвижва с този двигател, важно е да прочетете и разберете тези инструкции и инструкциите за задвижваната машина. **Запишете тези оригинални инструкции за бъдещи справки.**

За резервни части или техническа помощ запишете отдолу модела на двигателя, типа и кодовите номера с датата на купуването му. Тези номера се намират върху двигателя ви. (направете справка на страницата с раздел **Елементи и Управление**).

Дата на купуване: \_\_\_\_\_

ММ/ДД/ГГГГ

Модел на двигателя: \_\_\_\_\_

Модел: Тип: Код:

**Скала на мощностите:** Максималният въртящ момент е отбелязан върху всеки от отделните модели бензинови двигатели в съответствие със създадения от SAE (Дружество на инженерите от автомобилната промишленост и транспорта)

Правилник за техническа експлоатация J1940 (Методика за определяне на номиналната мощност и въртящия момент на малки двигатели) и е изчислен в съответствие с Правилника J1995 на SAE. Стойностите на въртящия момент са изведени при 2600 об/мин. при онези двигатели със записани "rpm" (об/мин) на табелката и при 3060 об/мин. за всички други; мощността в к. с. е изведена при 3600 об/мин. Графиките за пълната им мощност могат да се видят на сайта [www.BRIGGSandSTRATTON.COM](http://www.BRIGGSandSTRATTON.COM). Действителният максимален въртящ момент на двигателите ще бъде по-висок от ефективните въртящ момент и се влияе, между другото, от околната среда, в която те се експлоатират и от характеристиките на всеки отделен двигател. Ефективните мощности са взети при монтирани ауспух и въздушен филтър, докато пълните мощности са изведени без тези работни устройства. Действителната пълна мощност на двигателя ще бъде по-висока от полезната му мощност и се влияе, между другото, от работните условия и разликата от двигател до двигател. Като се вземе под внимание широкия набор от машини, върху които се монтират двигателите, бензиновият двигател може да не развие номиналната мощност, когато е монтиран на дадено силово оборудване. Тази разлика се дължи на голям брой фактори, включително, без да се ограничава само от това, на разнообразните елементи към двигателя (въздушен филтър, ауспух, система за зареждане, системата за охлаждане, карбуратор, горивна помпа и т. н.), на ограниченията за използването му, на условията в околната среда, в която двигателят работи (температура, влажност, надморска височина) и на различията във всеки отделен двигател. Поради технологични и производствени ограничения фирмата Briggs & Stratton може да замени даден двигател с по-висока номинална мощност с такъв двигател.

## Техника за безопасност на оператора

### СИМВОЛИ ЗА БЕЗОПАСНОСТ И УПРАВЛЕНИЕ



Предупредителният символ за опасност определя предпазителна информация за рискове, които могат да доведат до нараняване на персонала. Сигнализираща дума (ОПАСНО, ПРЕДУПРЕЖДЕНИЕ или ВНИМАНИЕ) се поставя заедно с предупредителен символ, за да посочи вероятността и потенциалната сериозност на нараняването. Допълнително, един символ за опасност може да показва вида на опасността.

**ОПАСНО** посочва опасност, която, ако не бъде избегната, ще доведе до смърт или сериозно нараняване.

**ПРЕДУПРЕЖДЕНИЕ** посочва опасност, която, ако не бъде избегната, може да доведе до смърт или сериозно нараняване.

**ВНИМАНИЕ** посочва опасност, която, ако не бъде избегната, може да доведе до малка или средна степен на нараняване.

**ПРЕДУПРЕЖДЕНИЕ** посочва ситуация, която би могла да доведе до повреждане на продукта.

### ПРЕДУПРЕЖДЕНИЕ

Някои от съставните елементи на този продукт и свързаните с тях приспособления съдържат химични вещества, известни в щата Калифорния като причинители на рак, увреда на новородените или други увреди на репродуктивната способност. След работа с тях, измийте ръцете си.

### ПРЕДУПРЕЖДЕНИЕ

Изгорелите газове от този двигател съдържат химически съединения, известни на щата Калифорния като причинители на рак, увреждания при раждане, или други увреждания, свързани с репродуктивността.

### ПРЕДУПРЕЖДЕНИЕ

Двигателите Briggs & Stratton не са проектирани и не са предназначени за задвижване на увеселителни картове, състезателни картове, детски автомобили, коли за забавления, всъдеходни състезателни автомобили (ATV), мотоциклети, транспортни средства на въздушна възглавница, летателни апарати или транспортни средства за участие в състезателни мероприятия, неодобрени от фирмата Briggs & Stratton. За информацията относно състезателни средства вижте на уебстраницата [www.briggsracing.com](http://www.briggsracing.com). Относно използването им за автомобили с общо предназначение или за състезателни всъдеходи, стартиращи в редица, молим да се обърнете към Центъра за приложно използване на двигателите Briggs & Stratton, тел. 1-866-927-3349. Неправилното приложение на двигателя може да доведе до сериозно нараняване или смърт.

**ПРЕДУПРЕЖДЕНИЕ:** Настоящият двигател се доставя от Briggs & Stratton без масло. Преди да стартирате двигателя се уверете, че сте напели масло в него според инструкциите в това ръководство. Ако го стартирате без масло, той ще се повреди, без да бъде възможно да се ремонтира и без покритие от гаранцията.



## ПРЕДУПРЕЖДЕНИЕ



Горивото и неговите пари са изключително огнеопасни и избухливи.



Пожар или взрив могат да причинят сериозни обгаряния или смърт.

### При доливане на гориво

- Изключете двигателя и го оставете да се охлади най-малко 2 минути, преди да свалите капачката на резервоара за гориво.
- Пълнете резервоара за гориво на открито или в добре вентилирано помещение.
- не препълвайте резервоара за гориво. За да позволите разширение на бензина, не пълнете над долната основа на гърловината за наливане на гориво.
- Дръжте горивото далеч от искри, открити пламъци, сигнални лампи, топлина и други запалителни източници.
- Проверявайте често горивопроводите, резервоара, капачката и съединенията за пукнатини или течове. Заменете ги, ако е необходимо.
- Ако горивото се разлее, изчакайте докато то се изпари, преди да стартирате двигателя.

### При стартиране на двигателя

- Уверете се, че запалителната свещ, шумозаглушителя, капачката на резервоара за гориво и въздушния филтър (ако има такива) са на мястото си и са обезопасени.
- Не развъртайте двигателя с извадена запалителна свещ.
- Ако двигателят се задави, поставете смукача (ако има такъв) на позиция OPEN/RUN, придвижете ръчната газ (ако има такава) на позиция FAST и развъртайте, докато двигателят стартира.

### При работеща машина

- Не наклонявайте двигателя или машината под ъгъл, който води до разливане на горивото.
- Не запушвайте камерата на карбуратора, за да спрете двигателя.
- Никога не стартирайте и не работете с двигателя при отстранен комплект на въздушния филтър (ако има такъв) или при отстранен въздушен филтър (ако има такъв).

### При смяна на маслото

- Ако източвате маслото от горната тръба за пълнене с масло, резервоарът за гориво трябва да бъде празен, или то може да потече и да причини пожар или експлозия.

### При наклоняване на агрегата за техническо обслужване

- Когато извършвате техническо обслужване, изискващо наклоняване на агрегата, резервоарът за гориво трябва да бъде празен, или то може да потече и да причини пожар или експлозия.

### При транспортиране на машината

- Транспортирайте с ПРАЗЕН резервоар, или с кран за подаване на гориво на позиция OFF.

### При складиране на гориво или на машина с гориво в резервоара

- Складирайте далеч от пещи, печки, водонагреватели или други електрически прибори, които имат сигнални лампи или други запалителни източници, защото те могат да възпламенят изпаренията от горивото.



## ПРЕДУПРЕЖДЕНИЕ



Пускането на двигателя създава искрене.



Искрението може да възпламени намиращите се наоколо запалими газове.



Това може да доведе до експлозия и пожар.

- Ако има изтичане на природен или втечен газ пропан в помещението, не стартирайте двигателя.
- Не използвайте горива за начално запалване под налягане, защото парите им са запалителни.



## ПРЕДУПРЕЖДЕНИЕ



**ОПАСНОСТ ОТ ОТРОВЕН ГАЗ.** Отработилите газове съдържат въглероден окис, отровен газ, който би могъл да ви убие за минути. Вие НЕ МОЖЕТЕ да го видите, помиришете или да го вкусите. Дори да не помиришате отработилите димни газове, вие все още бихте могли да бъдете изложени на влиянието на въглеродния окис. Ако започне да ви прилязва, да имате световъртеж или слабост, докато поемате този продукт, затворете източника му и НЕЗАБАВНО излезте на чист въздух. Отидете на доктор. Възможно е да сте получили отравяне от въглероден окис.

- Работете с този продукт САМО на открито, далеч от прозорци, врати и вентилационни отвори, за да намалите опасността от натрупване на въглероден окис и от потенциалното му насочване към помещения с хора.
- Монтирайте алармени устройства за въглероден окис, работещи с батерия или сменяващи се такива с резервна батерия според инструкциите на производителя. Алармените устройства за дим не могат да откриват въглеродния окис.
- НЕ ДОПУСКАЙТЕ този продукт в домове, гаражи, мазета, санитарни помещения, хангари или други частично затворени пространства, дори и снабдени с вентилатори или държани с отворени врати и прозорци за проветряване. Въглеродният окис може бързо да се натрупа и може да се задържа с часове, дори и след като е бил спрян.
- ВИНАГИ поставяйте този продукт по посока на въздушното течение и насочвайте отработилите димни газове надалеко от заетите с хора помещения.



## ПРЕДУПРЕЖДЕНИЕ



Бързото притегляне на пусковото въже (обратен удар) придържа ръката към двигателя по-бързо, отколкото вие можете да я отдръпнете.

Това може да причини счупени кости, фрактури, контузии и навяхвания.

- При стартиране на двигателя, изтеглете внимателно въжето на ръчния starter, докато усетите съпротивление, а след това дръпнете рязко, за да избегнете обратния удар.
- Изключете всяко външно оборудване/задвигвано от двигателя, преди да го стартирате.
- Директно прикачените към двигателя машинни елементи като ножове, перки, лебедки, зъбни колела, задвижващи вериги и други, трябва да бъдат сигурно прикрепени.



## ПРЕДУПРЕЖДЕНИЕ



Въртящите се части могат да допрат или захванат ръце, крака, коса, облекло или принадлежности.

Може да се достигне до травматична ампутация или сериозно нараняване.

- Работете с двигателя при поставени защитни капаци.
- Дръжте ръцете и краката си далеч от въртящи се части.
- Привързвайте дългите коси и сваляйте украсенията.
- Не носете по себе си широко облекло, висящи шнурове или вещи, които могат да бъдат захванати.



## ПРЕДУПРЕЖДЕНИЕ



Работещите двигатели отделят топлина. Частите на двигателите, особено шумозаглушителя, стават изключително горещи.

При допир може да получите сериозно изгаряне.



Горимите отпадъци, като листа, треви, хрсталак и други, могат да се запалят.

- Оставете шумозаглушителя, цилиндъра на двигателя и ребрата да се охладят, преди да ги докосвате.
- Отстранете натрупаните отломки около шумозаглушителя и цилиндъра.
- Използването или работата с двигателя, по залесени с гори, храсти или с треви площи, според Правилника на Калифорния за обществените ресурси, Раздел 4442, представлява нарушение, освен ако двигателят не е снабден с искрогасител, поддържан в ефикасно работно състояние, както е определено в Раздел 4442. В другите щати и федерални юрисдикции може да има подобни закони. Свържете се с производителя, продавача на дребно или дистрибутора на оригиналното съоръжение, за да получите искрогасител, проектиран за монтираната на този двигател изпускателна система.



## ПРЕДУПРЕЖДЕНИЕ



Случайно искрене може да доведе до пожар или поразяване от електрически ток.



Неволно стартиране може да доведе до захващане, травматична ампутация или до раняване.



Опасност от пожар

### Преди извършване на регулировки и поправки:

- Откачете кабела на запалителната свещ и го дръжте далеч от нея.
- Откачете минус-клемата на акумулатора (само при двигатели с електрически стартер).
- Използвайте само подходящи инструменти.
- Не застопорявайте с регулиращата пружина, лостовите системи или с други части, за да повишите оборотите на двигателя.
- Резервните части трябва да бъдат със същата конструкция и да се монтират в същото положение, както оригиналните части. Части от друг производител може да не работят добре, може да повредят агрегата или да доведат до нараняване.
- Не удряйте маховика с чук или твърд предмет, защото той може да се строши по време на работа.

### При изпробване за искра:

- Използвайте одобрен тип тестер за свещи.
- Не правете проверка за искра при извадена запалителна свещ.

Not for  
Reproduction



# Елементи и управления

Сравнете илюстрацията **1** с вашия двигател, за да се запознаете с разположението на различните елементи и управления.

- A. Маркировка на двигателя  
**Модел Тип Код**
- B. Запалителна свещ
- C. Въздушен филтър
- D. Нивопоказател/Отвор за наливане на масло
- E. Маслен филтър (по опция)
- F. Пробка за източване на маслото
- G. Датчик за налягане на маслото
- H. Предпазител за пръсти
- I. Електрически стартер
- J. Ръчен стартер (по опция)
- K. Карбуратор
- L. Изпускателен колектор
- M. Помпа за подаване на горивото
- N. Филтър за гориво (по опция)
- O. Охладител на маслото (по опция)
- P. Шумозаглушител (по опция)

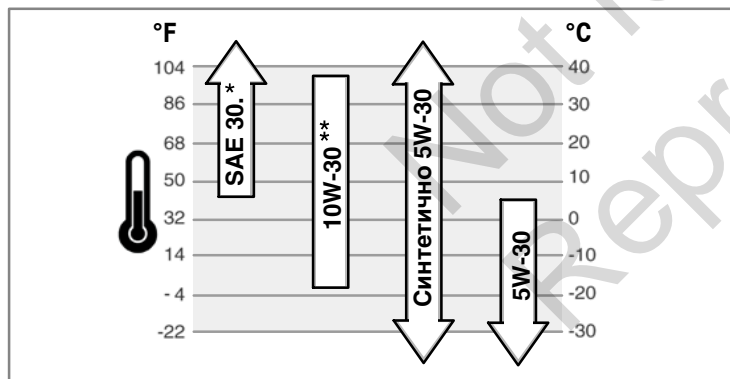
## Работа

Вместимост за масло (направете справка в раздел **Технически данни**)

### Препоръки за маслото

За получаване на най-добри технически показатели препоръчваме използването на маслата на Briggs & Stratton с гаранция и сертификат за качество. Други висококачествени масла с миелни присадки са приемливи, ако са класифицирани за работни режими SF, SG, SH, SJ или по-високи. Да не се използват специални добавки.

Външните температури определят правилния вискозитет на маслото за двигателя. Използвайте таблицата, за да изберете най-добрия вискозитет за очаквания диапазон на външните температури.



\* Ако при температури под 40°F (4°C) се използва масло SAE 30, това ще доведе до трудно стартиране на двигателя.

\*\* При температури над 80°F (27°C) използването на масло 10 W-30 може да повиши консумацията на масло. Проверявайте по често нивото му.

### Как се проверява/налива масло - Фигура 2

Преди наливане или проверяване на маслото

- Разположете хоризонтално двигателя.
  - Почистете мястото около отвора за наливане на масло от всички отломки.
1. Свалете нивопоказателя за маслото (A) и го избършете с чист плат (Фигура 2).
  2. Напълно вмъкнете нивопоказателя за горивото.
  3. Свалете нивопоказателя и проверете нивото на маслото. То трябва да бъде до най-високия знак за напълване (B) на нивопоказателя.
  4. Ако е ниско, налейте внимателно масло през отвора за пълнене (C). **Не препълвайте.** След наливане на масло, изчакайте една минута и после пак проверете нивото му.
  5. Напълно вмъкнете нивопоказателя за горивото.

### Система за защита при ниско ниво на маслото (ако има такава)

Някои двигатели са оборудвани с датчик за ниско ниво на маслото. Ако нивото на маслото е ниско, датчикът или ще включи предупредителен светлинен сигнал, или ще спре двигателя. Спрете двигателя и следвайте следните стъпки преди да го стартирате отново.

- Уверете се, че двигателят е хоризонтално разположен.
- Проверете нивото на маслото. Направете справка в раздел **Как се проверява/налива масло**.
- Ако нивото на маслото е ниско, добавете точното количество масло. Стартирайте двигателя и се уверете, че предупредителният светлинен сигнал (ако има такъв) не е задействан.
- Ако нивото на маслото е ниско, **не стартирайте** двигателя. Обърнете се към Упълномощен представител на Briggs & Stratton, за да отстраните проблема с маслото.

### Препоръки за горивото

Горивото трябва да отговаря на следните изисквания:

- Чист, пресен, безоловен бензин.
- Минимално октаново число от 87/87 AKI (91 RON). За голяма надморска височина, вижте по-долу.
- Бензин, с не повече от 10% съдържание на етанол (бензоспирт), е допустим.

**ВНИМАНИЕ:** Не използвайте не одобрени бензини като E15 и E85. Не смесвайте бензина с масло, не го модифицирайте за работа с алтернативни горива. Използването на неодобрени горива ще причини повреда на детайли от двигателя, която няма да бъде под гаранция.

За да предпазите горивната система от образуване на смоли, добавете стабилизатор в горивото. Направете справка в **Складиране**. Горивата не са едни същи. Ако настъпи проблем със стартирането или техническите показатели, сменете доставчиците или маркиите на горивото. Настоящият двигател има сертификат за работа с бензин. Системата за борба с вредните емисии за този двигател е EM (Модификации на двигателите).

### Голяма надморска височина

При надморски височини над 5,000 фута (1524 метра), приемливото качество бензин е с минимално октаново число 85/85 AKI (89 RON).

При двигатели с карбуратор се изисква настройка за голяма надморска височина, за да останат вредните емисии съвместими със законодателството. Работа, без тази настройка, ще доведе до понижени работни показатели, повишена консумация на гориво и повишени вредни емисии. Свържете се с упълномощен сервизен представител на Briggs & Stratton за сведения относно настройката за голяма надморска височина. Не се препоръчва работа на двигателя при надморски височини под 762 метра (2,500 фута) с настройка за голяма надморска височина.

При двигатели със система за електронно управление на впръскването на гориво (EUVG) не е необходима настройка за голяма надморска височина.

### Как се налива масло - Фигура 3



#### ПРЕДУПРЕЖДЕНИЕ



Горивото и неговите пари са изключително огнеопасни и избухливи.



Пожар или взрив могат да причинят сериозни обгаряния или смърт.

При доливане на гориво

- Изключете двигателя и го оставете да се охлади най-малко 2 минути, преди да свалите капачката на резервоара за гориво.
- Пълнете резервоара за гориво на открито или в добре вентилирано помещение.
- не препълвайте резервоара за гориво. За да позволите разширение на бензина, не пълнете над долната основа на гърловината за наливане на гориво.
- Дръжте горивото далеч от искри, открити пламъци, светлинни лампи, топлина и други запалителни източници.
- Проверявайте често горивопроводите, резервоара, капачката и съединенията за пукнатини или течове. Заменете ги, ако е необходимо.
- Ако горивото се разлее, изчакайте докато то се изпари, преди да стартирате двигателя.

1. Почистете пространството около капачката на резервоара за гориво от мръсотия и наслоявания. Свалете капачката (A, Фигура 3).
2. Напълнете резервоара за гориво (B) с гориво. За да позволите разширение на горивото, не пълнете над долната основа на гърловината за наливане на гориво (C).
3. Поставете обратно капачката.

## Как се стартира двигателя - Фигура 4



### ПРЕДУПРЕЖДЕНИЕ



Бързото притегляне на пусковото въже (обратен удар) придържа ръката към двигателя по-бързо, отколкото вие можете да я отдръпнете.

Това може да причини счупени кости, фрактури, контузии и навяхвания.

- При стартиране на двигателя, изтеглете внимателно въжето на ръчния стартер, докато усетите съпротивление, а след това дръпнете рязко, за да избегнете обратния удар.



### ПРЕДУПРЕЖДЕНИЕ



Бензинът и неговите пари са изключително огнеопасни и избухливи.



Пожар или взрив могат да причинят сериозни обгаряния или смърт.

При стартиране на двигателя

- Уверете се, че запалителната свещ, шумозаглушителя, капачката на резервоара за гориво и въздушния филтър (ако има такива) са на мястото си и са обезопасени.
- Не развъртайте двигателя с извадена запалителна свещ.
- Ако двигателят се задави, поставете смукача (ако има такъв) на позиция OPEN/RUN, придвижете ръчната газ (ако има такава) на позиция FAST и развъртайте, докато двигателят стартира.



### ПРЕДУПРЕЖДЕНИЕ



**ОПАСНОСТ ОТ ОТРОВЕН ГАЗ.** Отработилите газове съдържат въглероден окис, отровен газ, който би могъл да ви убие за минути. Вие НЕ МОЖЕТЕ да го видите, помиришете или да го вкусите. Дори да не помиришвате отработилите димни газове, вие все още бихте могли да бъдете изложени на влиянието на въглеродния окис. Ако започне да ви прилязва, да имате световъртеж или слабост, докато поемате този продукт, затворете източника му и НЕЗАБАВНО излезте на чист въздух. Отидете на доктор. Възможно е да сте получили отравяне от въглероден окис.

- Работете с този продукт САМО на открито, далеч от прозорци, врати и вентилационни отвори, за да намалите опасността от натрупване на въглероден окис и от потенциалното му насочване към помещението с хора.
- Монтирайте алармени устройства за въглероден окис, работещи с батерия или сменящи се такива с резервна батерия според инструкциите на производителя. Алармените устройства за дим не могат да откриват въглеродния окис.
- НЕ ДОПУСКАЙТЕ този продукт в домове, гаражи, мазета, санитарни помещения, хангари или други частично затворени пространства, дори и снабдени с вентилатори или държани с отворени врати и прозорци за проветряване. Въглеродният окис може бързо да се натрупа и може да се задържа с часове, дори и след като е бил спрян.
- ВИНАГИ поставяйте този продукт по посока на въздушното течение и насочвайте отработилите димни газове надалече от заетите с хора помещения.

**ПРЕДУПРЕЖДЕНИЕ:** Настоящият двигател се доставя от Briggs & Stratton без масло. Преди да стартирате двигателя се уверете, че сте налили масло в него според инструкциите в това ръководство. Ако го стартирате без масло, той ще се повреди без да бъде възможно да се ремонтира и гаранцията няма да покрива щетата.

**Забележка:** Някои двигатели и оборудване са снабдени с устройства за дистанционно управление. Направете справка в Ръководството за работа с оборудването за разположението и работата с устройствата за дистанционно управление.

1. Проверете нивото на маслото. Направете справка в раздела **Как се проверява/налива масло**.
2. Уверете се, че управленията на съоръжението, ако има такива, са изключени.
3. Завъртете кранчето за подаване на гориво (A), ако има такова, на позиция "on" (Фигура 4).
4. Натиснете стоп ключа (F), ако има такъв, до позиция on (вкл.).
5. Преместете лоста на ръчната газ (B) на позиция за бързи обороти . Работете с двигателя при позиция на бързи обороти.
6. Преместете лоста на смукача (C) газ на позиция смукач .

**Забележка:** Обикновено смукачът не е необходим при повторно стартиране на топъл двигател.

7. **Ръчен стартер:** Завъртете ключа на двигателя (D), ако има такъв, на позиция run (работен режим).

8. **Ръчен стартер:** Здраво дръжте ръкохватката на въжето на стартера (E). Изтеглете бавно ръкохватката на въжето на стартера, докато почувствате съпротивление, след което го дръпнете рязко.

**ЗАБЕЛЕЖКА:** Ако двигателят не стартира след няколко повторни опита, свържете се с вашия местен дистрибутор или се обадете на [VanguardEngines.com](http://VanguardEngines.com) or call 1-800-999-9333 (в САЩ).



### ПРЕДУПРЕЖДЕНИЕ:

Бързото оттегляне на въжето на стартера (обратен удар) ще притегли цялата ви ръка към двигателя по-бързо, отколкото вие можете да я оттеглите. Това би могло да доведе до счупени кости, фрактури, навяхвания и контузии. При стартиране на двигателя изтеглете бавно въжето на стартера, докато почувствате съпротивление, след което го дръпнете рязко, за да избегнете обратния удар.

9. **Електрически стартер:** Завъртете ключа (D) за електрическия стартер на позиция on/start (вкл./старт).

**ЗАБЕЛЕЖКА:** Ако двигателят не стартира след няколко повторни опита, свържете се с вашия местен дистрибутор или се обадете на [VanguardEngines.com](http://VanguardEngines.com) or call 1-800-999-9333 (в САЩ).

**ПРЕДУПРЕЖДЕНИЕ:** За да продължите живота на стартера, използвайте кратки стартови цикли (пет секунди максимум). Изчакайте една минута между отделните стартови цикли.

10. Щом двигателят загрее, поставете лоста на смукача (C) на позиция run (работен режим) .

## Как да спрете двигателя - Фигура 4



### ПРЕДУПРЕЖДЕНИЕ



Горивото и неговите пари са изключително огнеопасни и избухливи.



Пожар или взрив могат да причинят сериозни обгаряния или смърт.

При стартиране на двигателя

- Уверете се, че запалителната свещ, шумозаглушителя, капачката на резервоара за гориво и въздушния филтър (ако има такива) са на мястото си и са обезопасени.
- Не развъртайте двигателя с извадена запалителна свещ.
- Ако двигателят се задави, поставете смукача (ако има такъв) на позиция OPEN/RUN, придвижете ръчната газ (ако има такава) на позиция FAST и развъртайте, докато двигателят стартира.

1. Преместете лоста на ръчната газ (B) на позиция за бавни обороти, завъртете ключа (D) на позиция off (изкл.) (Фигура 4). Извадете ключа и го пазете на сигурно място, далече от обсега на деца.
2. Натиснете стоп ключа (F), ако има такъв, до позиция off (изкл.).
3. След спиране на двигателя, завъртете кранчето за подаване на горивото (A), ако има такова, на затворено положение.

## Техническо обслужване

Ние ви препоръчваме да посетите Оторизиран сервизен представител на Briggs & Stratton за всички операции по техническото и сервизното обслужване на двигателя и резервните части.

**ПРЕДУПРЕЖДЕНИЕ:** Всички компоненти, използвани при производството на този двигател, трябва да бъдат на мястото си за правилната му работа.



### ПРЕДУПРЕЖДЕНИЕ:

Когато извършвате техническо обслужване, изискващо наклоняване на агрегата, резервоарът за гориво трябва да бъде празен, или то може да потече и да причини пожар или експлозия.

## Контрол на емисиите

Поддръжката, смяната или ремонтът на устройствата и ситемите за контрол на вредните емисии могат да бъдат извършвани от всеки ремонтен цех или техник, ремонтиращи двигатели за МПС с повишена проходимост. Все пак, за да получите "безплатно" обслужване на устройствата за контрол на вредните емисии, работата трябва да бъде извършена от упълномощен заводски представител. Направете справка в Гаранцията относно вредните емисии.



## ПРЕДУПРЕЖДЕНИЕ



Случайно искрене може да доведе до пожар или поразяване от електрически ток.



Неволно стартиране може да доведе до захващане, травматична ампутация или до раняване.



Опасност от пожар

### Преди извършване на регулировки и поправки:

- Откачете кабела на запалителната свещ и го дръжте далеч от нея.
- Откачете минус-клемата на акумулатора (само при двигатели с електрически стартер).
- Използвайте само подходящи инструменти.
- Не застопорявайте с регулиращата пружина, лостовите системи или с други части, за да повишите оборотите на двигателя.
- Резервните части трябва да бъдат със същата конструкция и да се монтират в същото положение, както оригиналните части. Части от друг производител може да не работят добре, може да повредят агрегата или да доведат до нараняване.
- Не удряйте маховика с чук или твърд предмет, защото той може да се строши по време на работа.

### При изпробване за искра:

- Използвайте одобрен тип тестер за свещи.
- Не правете проверка за искра при извадена запалителна свещ.

## График за техническо обслужване

### На всеки 8 часа или ежедневно

- Да се проверява нивото на маслото в двигателя
- Да се почистват повърхностите около шумозаглушителя и управленията.

### На всеки 100 часа или ежегодно

- Почистете или сменете въздушния филтър \*
- Да се почиства предфилтъра (ако има такъв) \*
- Да се сменя маслото и филтъра
- Да се сменя запалителната свещ
- Да се преглеждат шумозаглушителя и искрогасителя

### На всеки 250 часа или ежегодно

- Да се проверят междината на клапаните. Регулирайте я, ако е необходимо.

### На всеки 400 часа или ежегодно

- Да се сменя въздушния филтър
- Да се сменя филтъра за гориво
- Да се почисти въздушната охладителна система \*
- Да се почистват пластините на охладителя на маслото \*

\* При наличие на прах или носещи се в околното пространство отломки, да се почиства по-често.

## Регулиране на карбуратора и скоростта на двигателя

Никога не регулирайте карбуратора или скоростта на двигателя. Карбураторът е настроен в завода, за да работи ефикасно при всички условия. Не манипулирайте с пружината на регулатора, лостовите механизми или другите части, за да променят скоростта на двигателя. Ако се налагат някакви настройки, свържете се с упълномощения сервизен център на Briggs & Stratton.

**ПРЕДУПРЕЖДЕНИЕ:** Производителят на оборудването определя максималната скорост за двигателя, монтиран на него. **Не надвишавайте** тази скорост. Ако не сте сигурни каква е максималната скорост на оборудването или каква е регулираната от завода скорост на двигателя, свържете се със упълномощения сервизен център на Briggs & Stratton за помощ. За сигурна и правилна работа на оборудването скоростта на двигателя трябва да бъде регулирана само от квалифициран сервизен техник.

## Как се сменя запалителната свещ - Фигура 5

Проверявайте междината (А, Фигура 5) с помощта на калибър за тел (В). Ако е необходимо, регулирайте междината. Монтирайте и затегнете свещта с препоръчания въртящ момент. За регулиране на междината или относно въртящия момент за затягане, направете справка в раздел **Технически данни**.

**Забележка:** На някои места, местният закон изисква употреба на резисторна свещ, за да се подтиснат радиомущенията. Ако настоящият двигател е фабрично оборудван с резисторна свещ, използвайте същия тип свещ за смяна.

## Проверявайте шумозаглушителя и искрогасителя - Фигура 6



## ПРЕДУПРЕЖДЕНИЕ



Работещите двигатели отделят топлина. Частите на двигателите, особено шумозаглушителя, стават изключително горещи.

При допир може да получите сериозно изгаряне.



Горимите отпадъци, като листа, треви, хрсталак и други, могат да се запалят.

- Оставете шумозаглушителя, цилиндъра на двигателя и ребрата да се охладят, преди да ги докосвате.
- Отстранете натрупаните отломки около шумозаглушителя и цилиндъра.
- Да се използва или работи с двигателя в земи, покрити с гора, храсти или трева е нарушение на Правилника за обществените ресурси в Калифорния, Раздел 4442, освен ако той не е оборудван с искрогасител, поддържан в ефективно работно състояние, както разпорежда Раздел 4442. Възможно е други щати или други юрисдикции да имат подобни закони. Свържете се със производителя на оригиналното оборудване, с продавач на дребно или дилър, за да си набавите искрогасител, проектиран за изпускателната система на този двигател.

Отстранете натрупаните отломки от пространствата около шумозаглушителя и цилиндъра. Проверете шумозаглушителя (А, Фигура 6) за пукнатини, корозия или друга повреда. Демонтирайте искрогасителя (В), (ако има такъв) и го проверете за повреда или запушване със сажди. Ако откриете повреда, монтирайте резервните части, преди да започнете работа.



**ПРЕДУПРЕЖДЕНИЕ:** Резервните части трябва да бъдат със същата конструкция и да се монтират в същото положение, както оригиналните части. Части от друг производител може да не работят добре, може да повредят агрегата или да доведат до нараняване.

## Как се сменява маслото - Фигура 7 8 9 10

Отработилото масло е опасен отпадъчен продукт и трябва да се складира по подходящ начин. Не го изхвърляйте с домакинските отпадъци. Проверете съвместно с общинските власти, за обслужващ център или за представител на инсталации за безопасно депониране/рециклиране на отработилото масло.

### Източете отработилото масло

1. При изключен, но все още топъл двигател, откачете кабела на запалителната свещ (А) и го дръжте на разстояние от свещта (Фигура 7).
2. Свалете пробката от отвора за източване на маслото (В, Фигура 8). Източете го в подходящ контейнер.
3. След като маслото е източено, поставете и затегнете пробката.

### Смяна на маслен филтър (ако има такъв)

Някои модели имат маслен филтър. Относно интервалите за смяната му направете справка в картата **Техническо обслужване**.

1. Източване на маслото от двигателя. Направете справка в раздел **Източване на маслото**.
2. Свалете масления филтър (С) и го депонирайте по подходящия начин. Вижте на Фигура 9.
3. Преди да монтирате новия маслен филтър, леко смажете филтърната гарнитура с ново, чисто масло.
4. Монтирайте масления филтър на ръка, докато гарнитурата опре във филтърния адаптер, след което го затегнете с още 1/2 до 3/4 оборота.
5. Наливане на масло. Направете справка в раздел **Наливане на масло**.
6. Стартирайте и оставете двигателя да работи. Щом загрее, проверете го за течове на масло.
7. Спрете двигателя и проверете нивото на маслото. То трябва да бъде до най-високия знак за напълване (F) на нивопоказателя (Фигура 10).

### Наливане на масло

- Разположете хоризонтално двигателя.
  - Почистете мястото около отвора за наливане на масло от всички отломки.
  - Направете справка в раздел **Технически данни** относно вместимостта за маслото.
1. Свалете нивопоказателя за маслото (D) и го избършете с чист плат (Фигура 10).
  2. Налеете внимателно маслото през отвора за пълнене (E). **Не препълвайте.** След наливането на маслото, изчакайте една минута и после отново проверете нивото му.
  3. Монтирайте и затегнете нивопоказателя.
  4. Свалете нивопоказателя и проверете нивото на маслото. То трябва да бъде до най-високия знак за напълване (F) на нивопоказателя.
  5. Монтирайте и затегнете нивопоказателя.

## Как да се обслужва въздушния филтър - Фигура 11



### ПРЕДУПРЕЖДЕНИЕ



Горивото и неговите пари са изключително огнеопасни и избухливи.

Пожар или взрив могат да причинят сериозни обгаряния или смърт.

- Никога не стартирайте и не работете с двигателя при отстранен комплект на въздушния филтър (ако има такъв) или при отстранен въздушен филтър (ако има такъв).

**ПРЕДУПРЕЖДЕНИЕ:** Не използвайте сгъстен въздух или разтворители, за да почиствате филтъра. Сгъстеният въздух може да повреди филтъра, а разтворителите го разтварят.

Направете справка относно изискванията за сервизно обслужване в **Картата за техническото обслужване**.

1. Отворете фиксаторите (A) и свалете капака (B). Вижте Фигура 11.
2. Свалете гайката (D) и скобата (E).
3. Свалете въздушния филтър (F).
4. Ако има предфилтър (G), свалете го от въздушния филтър.
5. За да отстраните наслояванията, внимателно почуквайте въздушния филтър върху твърда повърхност. Ако е прекалено замърсен, сменете го с нов филтър.
6. Промийте предфилтъра във воден разтвор на почистващ препарат. Оставете го добре да се изсуши на въздух. **Не** смазвайте предфилтъра.
7. Монтирайте изсушения предфилтър към въздушния филтър.
8. Монтирайте въздушния филтър и го закрепете със скобата и гайката.
9. Монтирайте и затегнете капака.

## Как се сменя филтъра за гориво - Фигура 12



### ПРЕДУПРЕЖДЕНИЕ



Горивото и неговите пари са изключително огнеопасни и избухливи.

Пожар или взрив могат да причинят сериозни обгаряния или смърт.

- Дръжте горивото далеч от искри, открити пламъци, сигнални лампи, топлина и други запалителни източници.
- Проверявайте често горивопроводите, резервоара, капачката и съединенията за пукнатини и течове. Заменйте ги ако е необходимо.
- Преди смяна на филтъра за гориво, източете резервоара за гориво или затворете кранчето за подаване на гориво.
- Резервните части трябва да бъдат със същото качество и да се монтират в същата позиция, както оригиналните части.
- Ако горивото се разлиее, изчакайте докато то се изпари, преди да стартирате двигателя.

1. Преди смяна на филтъра за гориво (A, Фигура 12), ако има такъв, източете резервоара за горивото или затворете кранчето за подаване на гориво. В противен случай, горивото може да протече, създавайки опасност от пожар или експлозия.
2. Използвайте плоски клещи да притиснете пластините (B) на скобите (C), след това плъзнете скобите настрана от филтъра за гориво. Усучете и изтеглетте горивопроводите (D) от филтъра за гориво.
3. Проверете горивопроводите за пукнатини или течове. Заменете ги, ако е необходимо.
4. Сменете филтъра за гориво с оригинален резервен филтър.
5. Закрепете горивопроводите със скоби, както е показано.

**Забележка:** Двигателите, оборудвани със резервоар за гориво, монтиран в завода, може да има филтърна цедка за горивото (E), вижте Фигура 3.

## Как се почиства въздушно-охладителната система - Фигура 13



### ПРЕДУПРЕЖДЕНИЕ



Работещите двигатели отделят топлина. Частите на двигателите, особено шумозаглушителя, стават изключително горещи.

При допир може да получите сериозно изгаряне.



Горимите отпадъци, като листа, треви, храсталак и други, могат да се запалят.

- Оставете шумозаглушителя, цилиндъра на двигателя и ребрата да се охладят, преди да ги докосвате.
- Отстранете натрупаните отломки около шумозаглушителя и цилиндъра.

**ПРЕДУПРЕЖДЕНИЕ:** Не използвайте вода, за да почиствате двигателя. Водата може да замърси горивната система. Използвайте четка или сух плат, за да го почистите.

Това е двигател с въздушно охлаждане. Нечистотиите и наслояванията могат да ограничат въздушния поток и да причинят прегряването му, което води до намаляване на показателите и продължителността на живота му.

Използвайте четка или сух плат, за да отстраните наслояванията от предпазителя на пръстите/въртящия се екран (A). Пазете чисти лостовата система, пружините и управленията (B). Пазете пространството около и зад шумозаглушителя (C) свободно от всякакви запалими наслоявания (Фигура 13). Убедете се, че пластините за охлаждане на маслото (D) са почистени от замърсяване и наслоявания.

### Складиране



### ПРЕДУПРЕЖДЕНИЕ



Горивото и неговите пари са изключително огнеопасни и избухливи.



Пожар или взрив могат да причинят сериозни обгаряния или смърт.

При складиране на гориво или на машина с гориво в резервоара

- Складирайте далеч от пещи, печки, водонагреватели или други електрически прибори, които имат сигнални лампи или други запалителни източници, защото те могат да възпламенят изпаренията от горивото.

### Горивна система

Горивото остарява при складиране за повече от 30 дни. Остарялото гориво води до наслояване на киселина и смола в горивната система или по основните части на карбуратора. За да запазите горивото прясно, използвайте **съвременната формула на Briggs & Stratton за стабилизатор Fuel Treatment & Stabilizer**, който може да се намери, там където се продават оригинални части на Briggs & Stratton.

Ако се добавя стабилизатора за горивото съгласно инструкциите, няма нужда бензинът да се източва. Оставете двигателят да работи около 2 минути, за да циркулира стабилизаторът в горивната система, преди да го складира.

Ако бензинът в двигателя не е бил обработван със стабилизатор, той трябва да бъде източен в подходящ за целта съд. Оставете двигателят да работи, докато спре поради изчерпване на горивото. За да поддържате свежестта на горивото при складирането му, препоръчваме използването на стабилизатор.

### Маслото на двигателя

Докато двигателят е все още топъл сменете маслото.

### Откриване и отстраняване на неизправности

Нуждаете ли се от помощ? Посетете [VanguardEngines.com](http://VanguardEngines.com) или се обадете на 1-800-999-9333 (в САЩ).

## Технически данни

Спецификации за двигателя	
Модел	290000
Работен обем	29,23 in <sup>3</sup> (479 cm <sup>3</sup> )
Вътрешен диаметър на цилиндъра	2,677 in (68 mm)
Работен ход на буталото	2,598 in (66 mm)
Вместимост за масло	46 - 48 oz (1,36 - 1,42 l)

Спецификации за двигателя	
Модел	300000
Работен обем	29,23 in <sup>3</sup> (479 cm <sup>3</sup> )
Вътрешен диаметър на цилиндъра	2,677 in (68 mm)
Работен ход на буталото	2,598 in (66 mm)
Вместимост за масло	46 - 48 oz (1,36 - 1,42 l)

Спецификации за двигателя	
Модел	350000
Работен обем	34,78 in <sup>3</sup> (570 cm <sup>3</sup> )
Вътрешен диаметър на цилиндъра	2,835 in (72 mm)
Работен ход на буталото	2,756 in (70 mm)
Вместимост за масло	46 - 48 oz (1,36 - 1,42 l)

Спецификации за двигателя	
Модел	380000
Работен обем	38,26 in <sup>3</sup> (627 cm <sup>3</sup> )
Вътрешен диаметър на цилиндъра	2,972 in (75,5 mm)
Работен ход на буталото	2,756 in (70 mm)
Вместимост за масло	46 - 48 oz (1,36 - 1,42 l)

Регулировъчни данни *	
Модел	290000, 300000
Искрова междина на запалителната свещ	0,030 in (0,76 mm)
Въртящ момент за затягане на запалителната свещ	180 lb-in (20 Nm)
Въздушна междина между ротора и статора	0,008 - 0,012 in (0,20 - 0,30 mm)
Междина на смукателния клапан	0,004 - 0,006 in (0,10 - 0,15 mm)
Междина на изпускателния клапан	0,004 - 0,006 in (0,10 - 0,15 mm)

Регулировъчни данни *	
Модел	350000, 380000
Искрова междина на запалителната свещ	0,030 in (0,76 mm)
Въртящ момент за затягане на запалителната свещ	180 lb-in (20 Nm)
Въздушна междина между ротора и статора	0,008 - 0,012 in (0,20 - 0,30 mm)
Междина на смукателния клапан	0,004 - 0,006 in (0,10 - 0,15 mm)
Междина на изпускателния клапан	0,004 - 0,006 in (0,10 - 0,15 mm)

\* Мощността на двигателя намалява с 3,5% на всеки 1000 фута (300 метра) над морското ниво и с 1% за всеки 10° F (5,6° C) над 77° F (25° C). Двигателят ще работи задоволително при наклон до 15°. Направете справка в Ръководството за работа с оборудването за безопасните граници за работа на наклони.

### Обикновени части за поддръжка ✓

Сервизна част	Номер на частта
Въздушен филтър — освен модел: 358700, 380000	394018
Въздушен филтър — модел: 358700, 380000	692519
Предфилтър за въздушния филтър - освен модел: 358700, 380000	272490
Предфилтър за въздушен филтър - модел: 358700, 380000	692520
Масло — SAE 30	100028
Маслен филтър - дълъг 6 cm	492932
Маслен филтър - дълъг 9 cm	491056

Сервизна част	Номер на частта
Въздушен филтър — с резервоар за гориво	808116
Филтър за гориво - с горивоподаваща помпа	691035
Филтър за гориво - без горивоподаваща помпа	298090
Усъвременната формула на Briggs & Stratton за стабилизатор Fuel Treatment & Stabilizer	100117, 100120
Резисторна запалителна свещ	491055
Дълготрайна платинена запалителна свещ	5066
Ключ за свещ	19374
Искров тестер	19368

✓ Ние ви препоръчваме да посетите някой от Упълномощените представители на Briggs & Stratton за всички операции по техническото и сервизното обслужване на двигателя и резервните части.

### ОГРАНИЧЕНА ГАРАНЦИЯ

Корпорация Briggs & Stratton гарантира, че по време на определения по-долу гаранционен период, ще ремонтира или замени безплатно всяка дефектна част поради некачествен материал или изработка, или поради двете причини. Транспортните разходи на изпратените за ремонт или смяна части по тази гаранция се поемат от купувача. Тази гаранция е валидна за определения срок и е предмет на срока и условията, фиксирани по-долу. За обслужване по гаранцията се обърнете към най-близкия Упълномощен сервизен представител, който може да откриете в нашия указател на Интернет адрес BRIGGSandSTRATTON.com. Купувачът трябва да се обърне към Упълномощения сервизен представител, след което да предостави продукта в сервиза му за проверка и изпитване.

**Няма друга специална гаранция. Подразбиращите се гаранции, включително тези за годността за продажба или за някаква специална цел, са ограничени до гаранционен период, посочен по-долу, или до срока, разрешен по закон. Отговорност за случайни или последващи щети се изключва в степен, разрешена по закон.** Някои щати или страни не позволяват ограничения за времетраенето на подразбиращата се гаранция, а някои щати или страни не позволяват изключването или ограничаването на случайни или последващи щети, така че е възможно горното ограничение и изключение да не важи за вас. Тази гаранция ви дава специфични законови права, а вие можете да имате и други такива, които се изменят в един или друг щат, или в една или друга страна. \*\*

### СТАНДАРТНИ ГАРАНЦИОННИ УСЛОВИЯ \* ▲

Марка/Вид продукт	За ползване за собствени нужди	За ползване за промишлени нужди
Vanguard™ ■	3 години	3 години
Търговска серия за чимове™	2 години	2 години
Двигатели, снабдени с чугунена риза Dura-Bore™	2 години	1 година
Всички други двигатели на Briggs & Stratton	2 години	90 дни

\* Тези са нашите стандартни гаранционни условия, но епизодично е възможно допълнително гаранционно покритие, което не е било определено към момента на публикуването им. За списъка на текущите гаранционни условия за вашия двигател посетете адреса ни в Интернет BRIGGSandSTRATTON.COM или се обърнете към Упълномощен сервизен представител на Briggs & Stratton.

\*\* За Австралия — Нашите стоки пристигат с гаранциите, които не могат да бъдат изключени съгласно австралийския потребителски закон. Дава ви се право на замяна или връщане на сумата при съществена неизправност и за компенсация за всяка друга обоснована и обозрима загуба или щета. Имате право и да получите стоките си поправени или сменени, ако те не покажат приемливо качество и повредата им не води до съществена неизправност. За обслужване по гаранцията се обърнете към най-близкия Упълномощен сервизен представител в нашия указател на интернет адрес BRIGGSandSTRATTON.COM, или се обадете на тел. 1300 274 447, или напишете e-mail или писмо съответно на електронна поща salesenquiries@briggsandstratton.com.au, или на адрес Briggs & Stratton Australia Pty Ltd, 1 Moorebank Avenue, Moorebank, NSW, Australia, 2170.

▲ Няма гаранция за двигатели, монтирани на оборудване, ползвано като източник на първична мощност вместо централно захранване или като резервни генератори, ползвани за търговски цели. Двигатели, използвани за състезания, за търговски цели или за отдаване под наем, не са покрити от гаранцията.

■ За двигатели Vanguard, монтирани на резервни генератори: само 2-годишна гаранция за купувача, без гаранция при търговско ползване. За Vanguard, монтирани на автомобили с общо ползване: 2-годишна гаранция за купувача, 2 години при търговско ползване. За 3-цилиндров двигател Vanguard с точно охлаждане: вижте гаранционната полица на Briggs & Stratton за три-цилиндров двигател с точно охлаждане - 3/LC.

Гаранционният период започва от датата на купуване от първия потребител на дребно или от крайния потребител за промишлени нужди. "За ползване за собствени нужди" означава лично използване в домакинството от потребител на дребно. "За ползване за промишлени нужди" означава всички други употреби, включително търговска употреба, както и такава, формираща доход или отдаване под наем. След като даден двигател е бил ползван за промишлени нужди, за целите на тази гаранция той ще бъде разглеждан като продукт за промишлени нужди.

**Пазете за доказателство квитанцията от покупката. Ако не осигурите доказателство за началната дата на купуване при поискване на гаранционно сервизно обслужване, датата на производство на продукта ще се използва за определяне на гаранционния период. Не е необходима регистрация на изделието, за да получавате гаранционно обслужване на артикулите на Briggs & Stratton.**

### Относно вашата гаранция

Тази ограничена гаранция покрива само дефектен материал и/или изработка, приложени в двигателя, а не смяна или връщане на парите за машината, към която двигателят може да бъде монтиран. Текущото техническо обслужване, регулировки, настройки или нормалното износване и изхабяване не се покриват от тази гаранция. Също така, гаранцията е невалидна, ако двигателят е видоизменен, преобразуван или серийният му номер е повреден или отстранен. Тази гаранция не включва употребявани, ремонтирани, купени на старо или демонстрационни съоръжения и двигатели. Тази гаранция не покрива повреда на двигател или проблеми по техническите му показатели, причинени от:

- 1 използването на части, които не са оригинални части на Briggs & Stratton;
- 2 експлоатиране на двигателя с недостатъчно, замърсено или неправилно избрано масло за смазване;
- 3 използването на замърсено или остаряло гориво, на бензин, смесван с повече от 10% етанол, или използването на алтернативни горива, например втечен нефтен или природен газ за двигатели, които, по начало, не са проектирани/произведени от Briggs & Stratton, за да работят с такива горива;
- 4 замърсяване, което е проникнало в двигателя поради неправилно техническо обслужване на въздушния филтър и неправилното му последващо монтиране;

- 5 удяране на предмет с режещия нож на ротационната полева косачка, разхлабени или неправилно поставени адаптери за ножовете, лопатките или други устройства, свързани към коляновия вал, или от прекомерно натягане на трапецовидния ремък;
- 6 съответстващи части и възли като съединители, предавателни механизми, уреди за управление на оборудването и др., които не са доставени от Briggs & Stratton;
- 7 прегряване, дължащо се на окосена трева, на замърсяване или отломки, или на гнезда на гризачи, които запушват или задръстват охлаждащите пластини или кожуха на маховика, или на работа на двигателя без достатъчно охлаждане;
- 8 прекомерна вибрация, причинена от превишени обороти, хлабав монтаж на двигателя, хлабави или небалансирани ножове или перки, или неправилно свързване на елементите на оборудването към коляновия вал;
- 9 неправилна употреба, липса на редовно техническо обслужване, неправилно транспортиране, маневриране или складиране на оборудването или неправилен монтаж на двигателя.

Гаранционното обслужване е достъпно единствено при Оторизирани сервизни представители на Корпорация Briggs & Stratton. Намерете най-близкия Оторизиран сервизен представител в нашата указателна карта за представителите на адрес BRIGGSandSTRATTON.COM или като се обадите на тел. 1-800-233-3723 (в САЩ).

## Všeobecné informace

Tato příručka obsahuje bezpečnostní informace nezbytné pro to, abyste věděli, jaká nebezpečí a rizika souvisí s motory a jak se jim vyhnout. Obsahuje i pokyny, jak řádně motor používat a jak se něj starat. Vzhledem k tomu, že korporace Briggs & Stratton nemusí nutně vědět, jaké zařízení bude tento motor pohánět, je důležité, abyste si přečetli a pochopili tyto pokyny a pokyny pro zařízení, které tento motor pohání.

### Ušchovejte originál těchto pokynů pro budoucí použití.

Potřebujete-li náhradní díly nebo technickou pomoc, запиšte dolů model motoru, typové a kódové číslo a datum nákupu. Tato naleznete na svém motoru (viz kapitola **Funkce a ovládací prvky**).

**Datum nákupu:** \_\_\_\_\_  
DD/MM/RRRR

**Model motoru:** \_\_\_\_\_  
Model: \_\_\_\_\_ Typ: \_\_\_\_\_ Kód: \_\_\_\_\_

**Jmenovité hodnoty výkonu:** Hrubý jmenovitý výkon jednotlivých modelů benzínových motorů je uváděn v souladu s normou J1940 pro postup při stanovování výkonu a kroučícího momentu u malých motorů (Small Engine Power & Torque Rating Procedure) vydané asociací SAE (Society of Automotive Engineers) a jmenovitý výkon byl získán a přepočten v souladu s normou SAE J1995. Hodnoty kroučícího momentu byly získány při 2600 RPM u motorů označených štítkem „rpm“ a při 3060 RPM u všech ostatních motorů. Hodnoty výkonu v koních byly získány při 3600 RPM. Křivky hrubého výkonu motoru si můžete zobrazit na webu [www.BRIGGSandSTRATTON.COM](http://www.BRIGGSandSTRATTON.COM). Čisté hodnoty výkonu byly získány s namontovaným výfukem a vzduchovým filtrem, zatímco hrubé hodnoty výkonu byly získány bez tohoto příslušenství. Skutečný hrubý výkon motoru bude vyšší než čistý výkon, což je ovlivněno mimo jiné provozními podmínkami prostředí a rozdíly mezi jednotlivými vyrobenými kusy motorů. Z důvodu široké škály produktů, do nichž se motory umísťují, nemusí benzínový motor při použití v konkrétním druhu zařízení dosahovat jmenovitého hrubého výkonu. Tento rozdíl je způsoben mnoha faktory, mezi něž patří velký výběr komponent motoru (jako je například vzduchový filtr, výfuk, plnění, chlazení, karburátor, palivové čerpadlo atd.), omezení využití, provozní podmínky prostředí (teplota, vlhkost, nadmořská výška) a rozdíly mezi jednotlivými vyrobenými kusy motoru. V důsledku výrobních a kapacitních omezení může společnost Briggs & Stratton nahradit motor této série motorem s vyšším jmenovitým výkonem.

## Bezpečnost obsluhy

### BEZPEČNOSTNÍ A KONTROLNÍ SYMBOLY



Požár



Pohyblivé části



Olej



Toxické výpary



Pomalů



Rychle



Stop



Výbuch



Úraz elektrickým proudem



Palivo



Sytič



Zapnuto/Vypnuto



Uzávěr paliva



Zpětný ráz



Používejte ochranu zraku



Nebezpečná chemikálie



Čtete návod



Horký povrch



Omrzliny



### VAROVÁNÍ

Některé součásti tohoto produktu a související příslušenství obsahují chemické látky, o nichž je ve státě Kalifornie známo, že způsobují rakovinu, poškození plodu či jiné poruchy reprodukce. Po manipulaci si umyjte ruce.



### VAROVÁNÍ

Výfukové plyny tohoto výrobku obsahují chemikálie, o nichž je ve státě Kalifornie známo, že způsobují rakovinu, poškození plodu či jiné poruchy reprodukce.



### VAROVÁNÍ

Motory značky Briggs & Stratton nejsou zkonstruovány pro pohánění vozítek, motokár, dětských, rekreačních nebo sportovních terénních vozidel (ATV), motocyklů, vznášedel, leteckých produktů nebo vozidel používaných v soutěžích, které společnost Briggs & Stratton neschválila, a nesmějí být tedy takto použity. Informace o soutěžních a závodních výrobcích naleznete na adrese [www.briggsracing.com](http://www.briggsracing.com). Informace o používání ve čtyřkolkách a ATV vozidlech side-by-side získáte v Engine Application Center, středisku pro aplikaci motorů společnosti Briggs & Stratton, tel. 1-866-927-3349. Nesprávné použití motoru může vést k vážnému zranění nebo smrti.

Symbol bezpečnostního upozornění označuje bezpečnostní informace týkající se rizik, která mohou způsobit úraz. Signální slovo (NEBEZPEČÍ, UPOZORNĚNÍ nebo VÝSTRAHA) se používá spolu s varovným symbolem pro vyznačení pravděpodobnosti a potenciální vážnosti úrazu. Mimo to může být pro označení druhu nebezpečí použit symbol nebezpečí.



**NEBEZPEČÍ** označuje ohrožení, které, není-li eliminováno, způsobí smrt nebo vážný úraz.



**VAROVÁNÍ** označuje ohrožení, které, není-li eliminováno, může způsobit smrt nebo vážný úraz.



**POZOR** označuje ohrožení, které, není-li eliminováno, může způsobit lehký, nebo středně těžký úraz.

**POZNÁMKA** označuje situaci, v níž by mohlo dojít k poškození produktu.



## VAROVÁNÍ



Palivo a jeho páry jsou vysoce hořlavé a výbušné.  
Požár nebo výbuch může způsobit vážné popáleniny nebo i smrt

### Když doplňujete palivo

- Vypněte motor a před sejmutím uzávěru palivové nádrže jej nechte nejméně 2 minuty chladnout.
- Nádrž plňte venku nebo v dobře větraném prostoru.
- Palivovou nádrž nepřepĺňujte. Kvůli tepelné roztažnosti paliva naplňte nádrž jen po spodní okraj hrdla.
- Chraňte palivo před jiskrami, otevřeným ohněm, věčným plamínkem, teplem a jinými zdroji zapálení.
- Kontrolujte palivové potrubí, nádrž a uzávěr a všechny spoje na těsnost a praskliny. V případě potřeby proveďte výměnu.
- Jestliže rozlijete palivo, počkejte, až se odpaří a teprve potom spusťte motor.

### Při spouštění motoru

- Zkontrolujte, zda jsou na svém místě svíčky, tlumič výfuku, víčko palivové nádrže a vzduchový filtr (je-li jím motor vybaven), a zda jsou dobře zajištěny.
- Neotáčejte motorem při odstraněné svíčce.
- Při přeplavení motoru nastavte sytič (je-li k dispozici) do polohy OPEN/RUN (chod) a škrtkici klapku do polohy FAST (rychle) a protáčejte motor, dokud nenaskočí.

### Při obsluze zařízení

- Nenaklánějte motor ani zařízení do polohy, která by způsobila únik paliva.
- Motor se nesmí zastavovat zahlcením karburátoru.
- Nespouštějte ani neprovodíte motor s odmontovanou sestavou vzduchového filtru (je-li jím motor vybaven) nebo s vyjmutým vzduchovým filtrem (je-li jím motor vybaven).

### Při výměně oleje

- když vypouštíte olej z horní plnicí olejové trubky, musí být palivová nádrž prázdná, protože jinak může palivo unikat z nádrže a způsobit požár nebo explozi.

### Překlopení zařízení za účelem údržby

- Když provádíte údržbu, která vyžaduje překlopení zařízení, musí být palivová nádrž prázdná, jinak může palivo uniknout a způsobit požár nebo explozi.

### Při přepravě zařízení

- Zařízení přepřavujte s PRÁZDNOU palivovou nádrží nebo zavřeným palivovým kohoutem.

### Při skladování paliva nebo zařízení s palivem v nádrží

- Uložte odděleně od pecí, kamen, ohřivačů vody či jiných zařízení, která mají věčný plamínek nebo od jiných zdrojů zapálení. Mohou zažehnout výpary z paliva.



## VAROVÁNÍ



Spouštění motoru je doprovázeno jiskřením.  
Jiskření může zažehnout přítomné hořlavé plyny.  
Výsledkem může být požár nebo výbuch.

- Nespouštějte motor, uniká-li v prostoru zemní plyn nebo propan-butan (LPG).
- Nepoužívejte stlačené startovací kapaliny, jejich páry jsou hořlavé.



## VAROVÁNÍ



Provozem motorů se vytváří teplo. Díly motoru, zejména tlumič výfuku, jsou za provozu extrémně horké.

Ve styku s nimi mohou vzniknout vážné popáleniny.

Hořlavý materiál, jako je listí, tráva, roští atd., může vzplanout.

- Před manipulací nechejte tlumič výfuku, válec a žebra motoru vychladnout.
- Odstraňujte hořlavé nečistoty, hromadící se v prostoru tlumiče a válce.
- Při použití zařízení na zalesněném, travnatém nebo křovím porostlém pozemku bez lapače jisker nainstalovaného ve výfukovém systému a udržovaného v řádném funkčním stavu porušujete ustanovení paragrafu 4442 Zákona o veřejných zdrojích státu Kalifornie. Jiné státy nebo federální jurisdikce mohou mít podobné zákony. Chcete-li zakoupit lapač jisker vhodný pro výfukový systém nainstalovaný na tomto motoru, kontaktujte výrobce původního zařízení, prodejce nebo dodavatele.



## VAROVÁNÍ



**RIZIKO VZNIKU JEDOVATÝCH PLYNŮ.** Výfukové plyny z motorů obsahují oxid uhelnatý, jedovatý plyn, který vás může během několika minut zabít. **NEMŮŽETE jej vidět ani cítit, je bez chuti.** I když výfukové plyny necítíte, můžete být vystaveni působení oxidu uhelnatého. Pokud vám začne být během používání tohoto produktu špatně, začne se vám točit hlava nebo pocítíte slabost, vypněte jej a **OKAMŽITĚ jděte na čerstvý vzduch.** Navštivte lékaře. Možná se jedná o otravu kyslíčikem uhelnatým.

- Tento produkt používejte výhradně v dostatečné vzdálenosti od oken, dveří a větracích otvorů, aby se snížilo riziko hromadění oxidu uhelnatého a jeho potenciální pronikání do obytných prostor.
- Nainstalujte baterii napájené detektory oxidu uhelnatého nebo elektrické detektory oxidu uhelnatého se záložním napájením z baterie podle pokynů výrobce. Detektory kouře nedokážou oxid uhelnatý odhalit.
- Nepoužívejte tento výrobek v domech, garážích, sklepech, chodbách, kůlnách nebo ostatních částečně uzavřených prostorech, a to ani tehdy, používáte-li ventilátory nebo máte otevřené dveře a okna za účelem větrání. Oxid uhelnatý se na těchto místech může snadno hromadit a může zde zůstat celé hodiny, a to i tehdy, když byl produkt již vypnut.
- Vždy umísťujte tento produkt po větru a natočte jej tak, aby jeho výfuk směřoval mimo obytné prostory.



## VAROVÁNÍ



Rychlé zatažení (zpětné "kopnutí") lanka spouštěče přitáhne ruku a paži k motoru rychleji, než ho stačíte pustit.

Je tu nebezpečí zlomeniny, odření nebo natažení šlach.

- Při startování motoru táhněte za lanko spouštěče pomalu, dokud neucítíte odpor a pak rychle zatahněte, abyste zabránili zpětnému kopnutí.
- Před spuštěním motoru zbavte motor veškerého vnějšího vybavení/zátěže.
- Přímou součásti zařízení, např. nože, oběžná kola, řemenice, ozubená kola atd., musí být bezpečně upevněny.



## VAROVÁNÍ



Otáčivé části se mohou dostat do styku nebo zachytit ruce, nohy, vlasy, oděv či výstroj.

Může dojít k těžkým tržným ranám až amputacím končetin.

- Provozujte zařízení pouze s upevněnými ochrannými kryty.
- Nepřibližujte ruce a nohy k rotujícím částem.
- Sepněte si dlouhé vlasy a sejměte šperky.
- Nenoste volně vlající oděv, volně visící stahovací tkalouny a šňůry, jež mohou být zachyceny.



## VAROVÁNÍ



Neúmyslné jiskření může způsobit požár nebo úraz elektrickým proudem.

Neúmyslné spuštění motoru může způsobit zachycení, amputaci končetiny nebo tržné rány.

Riziko požáru



### Před prováděním seřizování nebo oprav:

- Odpojte kabel od zapalovací svíčky a uložte jej dále od zapalovací svíčky.
- Odpojte kabel od záporného vývodu akumulátoru (jen pokud je motor vybaven elektrickým spouštěčem).
- Používejte pouze správné nástroje.
- Otáčky motoru se nesmí zvyšovat úpravami pružin regulátoru, táhel a ostatních dílů.
- Náhradní díly musí mít stejné provedení jako původní díly a musí být nainstalovány ve stejné poloze. Jiné díly nemusí poskytovat požadovaný výkon, mohou poškodit zařízení nebo způsobit zranění.
- Na setrvačnick netlučte kladivem nebo tvrdým předmětem, protože hrozí rozpad setrvačnicku při dalším provozu.

### Při zkoušení svíčky:

- Použijte schválenou zkoušečku zapalovacích svíček
- Nezkoušejte jiskru zapalování při vyjmuté svíčce.



# Funkce a ovládací prvky

Abyste se seznámili s umístěním různých funkcí a ovládacích prvků, porovnávejte

ilustrace **1** s motorem.

- A. Identifikace motoru  
**Model Typ Kód**
- B. Zapalovací svíčka
- C. Vzduchový filtr
- D. Olejová měrka/plnicí otvor
- E. Olejový filtr (volitelné vybavení)
- F. Vypouštěcí zátka oleje
- G. Snímač tlaku oleje
- H. Chráníč prstů
- I. Elektrický startér
- J. Navíjecí spouštěč (volitelné vybavení)
- K. Karburátor
- L. Výfukové potrubí
- M. Palivové čerpadlo
- N. Palivový filtr (volitelné vybavení)
- O. Chladič oleje (volitelné vybavení)
- P. Tlumič výfuku (volitelné vybavení)

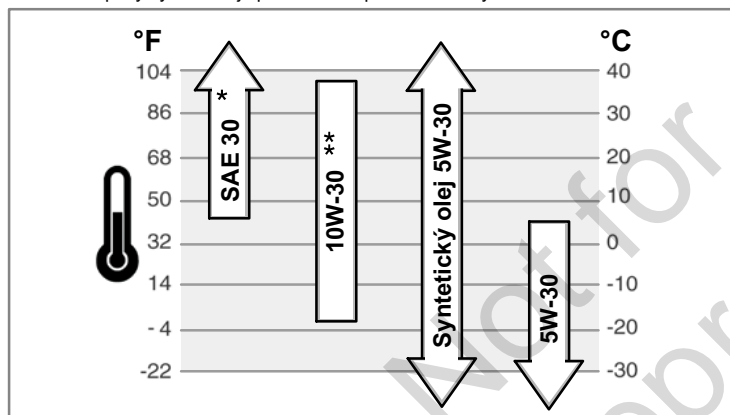
## Fungování

Objem oleje (viz část **Specifikace**)

### Doporučené oleje

Nejlepší výkonnosti dosáhnete, budete-li používat doporučené oleje používat značky Briggs & Stratton s potvřenou zárukou. Ostatní vysoce jakostní detergentní oleje jsou přijatelné, jestliže jsou klasifikovány minimálně pro SF, SG, SH, SJ. Nepoužívejte zvláštní aditiva.

Venkovní teploty určují správnou viskozitu oleje pro motor. Pro očekávaný rozsah venkovní teploty vyberte nejlepší viskozitu pomocí tabulky.



\* Používání oleje SAE 30 při teplotách nižších než 4°C (40°F) způsobuje obtížné startování.

\*\* Použití oleje 10W-30 při teplotách nad 27°C (80°F) může způsobit zvýšenou spotřebu oleje. V tomto případě kontrolujte častěji stav oleje.

### Postup kontroly/přidání oleje – Obrázek 2

Před doplněním nebo kontrolou oleje

- Motor dejte do vodorovné polohy.
- Vyčistěte prostor pro doplňování oleje od nečistot.
- 1. Vyjměte měrku oleje (A) a otřete ji čistým hadříkem (Obrázek 2).
- 2. Vložte měrku zpět a utáhněte ji.
- 3. Vyjměte měrku a zkontrolujte hladinu oleje. Měla by být v horní části indikátoru full (B) na měrce.
- 4. Pokud je hladina oleje nízká, nalévejte olej pomalu do plnicího otvoru (C). **Dejte pozor, abyste jej nepřelili.** Po doplnění oleje počkejte jednu minutu a pak stav oleje znovu zkontrolujte.
- 5. Zasuňte měrku zpět a utáhněte ji.

### Systém ochrany před nízkou hladinou oleje (je-li jím zařízení vybaveno)

Některé motory jsou vybaveny snímačem nízké hladiny oleje. Pokud je hladina oleje nízká, snímač buď aktivuje kontrolku nebo zastaví motor. Vypněte motor a před jeho opětovným zapnutím proveďte následující kroky.

- Zkontrolujte, zda je motor vyvážen a zda stojí rovně.
- Zkontrolujte hladinu oleje. Viz pokyny v části **Postup kontroly/přidání oleje**.
- Pokud je hladina oleje nízká, doplňte potřebné množství oleje. Spustte motor a zkontrolujte, zda nesvítí kontrolka (pokud je jí zařízení vybaveno).
- Pokud není hladina oleje nízká, **nepouštějte** motor. Požádejte autorizovaného dealera společnosti Briggs & Stratton, aby problém s olejem odstranil.

CS

## Doporučení týkající se benzínu

Palivo musí splňovat následující požadavky:

- Používejte čistý, čerstvý bezolovnatý benzín.
- Minimálně 87 oktanů/87 AKI (91 RON). V případě, že používáte stroj ve vyšších nadmořských výškách, viz níže.
- Benzín s obsahem až 10 % etanolu je přijatelný.

**UPOZORNĚNÍ:** Nepoužívejte neschválené benzíny, jako například E15 a E85. Nepřidávejte do benzínu olej ani neupravujte motor pro provoz s alternativními palivy. Použití neschváleného paliva způsobí poškození součástí motoru, na které se nevztahuje záruka.

Do paliva přidávejte stabilizátor paliva, abyste zabránili tvorbě pryskyřičných usazenin v palivové soustavě. Viz **Skladování**. Všechna paliva nejsou stejná. Pokud se objeví problémy se spouštěním nebo výkonností motoru, změňte dodavatele paliva nebo značku. Tento motor je úředně schválen jako benzinový motor. Systém řízení emisí tohoto motoru je EM (Engine Modifications).

### Vyšší nadmořské výšky

Ve výškách nad 1 524 m (5 000 stop) je přípustný minimálně 85oktanový/85 AKI (89 RON) benzín.

Aby byly u motorů vybavených karburátorem dodrženy emisní limity, je nezbytné seřízení motoru pro velké nadmořské výšky. Provoz bez tohoto seřízení způsobí snížení výkonnosti, zvýšenou spotřebu paliva a zvýšené emise. Informace o seřízení pro velké nadmořské výšky vám poskytne autorizovaný servis Briggs & Stratton. Používání stroje ve výškách pod 762 metrů (2 500 stop) se seřízením pro velké nadmořské výšky se nedoporučuje.

U motorů vybavených elektronickým vstřikováním paliva (EFI) není seřízení pro velké nadmořské výšky nutné.

### Postup doplnění paliva – Obrázek 3



#### VAROVÁNÍ



Palivo a jeho páry jsou vysoce hořlavé a výbušné. Požár nebo výbuch může způsobit vážné popáleniny nebo i smrt



#### Když doplňujete palivo

- Vypněte motor a před sejmutím uzávěru palivové nádrže jej nechte nejméně 2 minuty chladnout.
- Nádrž plňte venku nebo v době větraném prostoru.
- Palivovou nádrž nepřepĺňujte. Kvůli tepelné roztažnosti paliva naplňte nádrž jen po spodní okraj hrdla.
- Chraňte palivo před jiskrami, otevřeným ohněm, věčným plamínkem, teplem a jinými zdroji zapálení.
- Kontrolujte palivové potrubí, nádrž a uzávěr a všechny spoje na těsnost a praskliny. V případě potřeby proveďte výměnu.
- Jestliže rozlijete palivo, počkejte, až se odpaří a teprve potom spustte motor.

1. Odstraňte z oblasti kolem uzávěru palivové nádrže. Sejměte uzávěr palivové nádrže (A, viz obrázek 3).
2. Naplňte palivovou nádrž (B) benzínem. Kvůli tepelné roztažnosti benzínu dbejte na to, aby při plnění hladina nepřesáhla spodní část hrdla palivové nádrže (C).
3. Nasaďte uzávěr palivové nádrže.

### Jak spustit motor – Obrázek 4



#### VAROVÁNÍ



Rychlé zatažení (zpětné "kopnutí") lanka spouštěče přitáhne ruku a paži k motoru rychleji, než ho stačíte pustit.

Je tu nebezpečí zlomeniny, odření nebo natažení šlach.

- Při startování motoru táhněte za lanko spouštěče pomalu, dokud neucítíte odpor a pak rychle zatahněte, abyste zabránili zpětnému kopnutí.



#### VAROVÁNÍ



Palivo a jeho páry jsou vysoce hořlavé a výbušné. Požár nebo výbuch může způsobit vážné popáleniny nebo i smrt



#### Při spouštění motoru

- Zkontrolujte, zda jsou na svém místě svíčky, tlumič výfuku, víčko palivové nádrže a vzduchový filtr (je-li jím motor vybaven), a zda jsou dobře zajištěny.
- Neotáčejte motorem při odstranění svíčky.
- Při přeplavení motoru nastavte sytič (je-li k dispozici) do polohy OPEN/RUN (chod) a škrtníci klapku do polohy FAST (rychle) a protáčejte motor, dokud nenaskočí.



## VAROVÁNÍ



**RIZIKO VZNIKU JEDOVATÝCH PLYNŮ.** Výfukové plyny z motorů obsahují oxid uhelnatý, jedovatý plyn, který vás může během několika minut zabít. **NEMŮŽETE** jej vidět ani cítit, je bez chuti. I když výfukové plyny necítíte, můžete být vystaveni působení oxidu uhelnatého. Pokud vám začne být během používání tohoto produktu špatně, začne se vám točit hlava nebo pocítíte slabost, vypněte jej a **OKAMŽITĚ** jděte na čerstvý vzduch. Navštivte lékaře. Možná se jedná o otravu kyslíčikem uhelnatým.

- Tento produkt používejte výhradně v dostatečné vzdálenosti od oken, dveří a větracích otvorů, aby se snížilo riziko hromadění oxidu uhelnatého a jeho potenciální pronikání do obytných prostor.
- Nainstalujte baterii napájené detektory oxidu uhelnatého nebo elektrické detektory oxidu uhelnatého se záložním napájením z baterie podle pokynů výrobce. Detektory kouře nedokážou oxid uhelnatý odhalit.
- Nepoužívejte tento výrobek v domech, garážích, sklepech, chodbách, kúlnách nebo ostatních částečně uzavřených prostorech, a to ani tehdy, používáte-li ventilátory nebo máte otevřené dveře a okna za účelem větrání. Oxid uhelnatý se na těchto místech může snadno hromadit a může zde zůstat celá hodina, a to i tehdy, když byl produkt již vypnut.
- Vždy umístěte tento produkt po větru a natočte jej tak, aby jeho výfuk směřoval mimo obytné prostory.

**POZNÁMKA:** Tento motor byl odeslán společností Briggs & Stratton bez oleje. Než motor nastartujete, ještě jednou zkontrolujte, zda jste doplnili olej podle pokynů uvedených v této příručce. Jestliže nastartujete motor bez oleje, poškodí se tak, že už nepůjde opravit a nebude kryt žádnou zárukou.

1. Zkontrolujte stav oleje. Viz část **Kontrola/doplňování oleje**.
2. Zkontrolujte, zda jsou ovládací prvky pohonu (pokud je jimi zařízení vybaveno) vypnutý. V příručce zařízení vyhledejte umístění a fungování těchto ovládacích prvků.
3. Přepněte palivový ventil (A), je-li jím motor vybaven, do polohy on (Obrázek 4). Popis umístění a funkce tohoto palivového ventilu najdete v příručce k zařízení.
4. Posuňte vypínač motoru (F), je-li jím motor vybaven, do polohy on.
5. Posuňte páku akceleratoru (B) do polohy fast (rychle) . Provozujte motor s pákou akceleratoru v poloze fast (rychle) . Popis umístění a funkce pákového akceleratoru najdete v příručce k zařízení.
6. Posuňte ovladač sytiče (C) do polohy sytič . Popis umístění a funkce ovladače sytiče najdete v příručce k zařízení.  
*Poznámka:* Použití sytiče není obvykle potřeba při opakovaném startu teplého motoru.
7. **Spouštění pomocí lanka:** Otočte klíčkem (D) do polohy run. Popis umístění a funkce spínače najdete v příručce k zařízení.
8. **Spouštění pomocí lanka:** Pevně uchopte rukojeť lanka spouštěče (E). Táhněte za lanko spouštěče nejprve pomalu, dokud neucítíte odpor. Pak zatáhněte prudce.  
**POZNÁMKA:** Pokud motor nenastartuje ani po opakovaných pokusech, kontaktujte svého místního prodejce nebo se obraťte na číslo **VanguardEngines.com** or call **1-800-999-9333** (v USA).



**VAROVÁNÍ:** Rychlé zatažení (zpětné "kopnutí") lanka spouštěče přitáhne ruku a paži k motoru rychleji, než je stačíte pustit. Je tu nebezpečí zlomeniny, odření nebo natažení šlach. Při startování motoru táhněte za lanko spouštěče pomalu, dokud neucítíte odpor a pak rychle zatáhněte, abyste zabránili zpětnému kopnutí.

9. **Elektrické spouštění:** Přepněte vypínač elektrického spouštění (D) do polohy on/start. Popis umístění a funkce tohoto spínače najdete v příručce k zařízení.  
**POZNÁMKA:** Pokud motor nenastartuje ani po opakovaných pokusech, kontaktujte svého místního prodejce nebo se obraťte na číslo **VanguardEngines.com** or call **1-800-999-9333** (v USA).  
**POZNÁMKA:** Chcete-li prodloužit životnost spouštěče, používejte krátké spouštěcí cykly (maximálně pět sekund). Mezi spouštěcími cykly počkejte jednu minutu.
10. Když se motor zahřeje, přesuňte ovladač sytiče (C) do polohy run .

## Jak zastavit motor – Obrázek 4



## VAROVÁNÍ



**Palivo a jeho páry jsou vysoce hořlavé a výbušné. Požár nebo výbuch může způsobit vážné popáleniny nebo i smrt**

- Motor se nesmí zastavovat zahlcením karburátoru.

1. Posuňte páčku akceleratoru (B) do polohy slow a otočte klíčkem (D) do polohy off (Obrázek 4). Vyjměte klíček a uložte jej na bezpečném místě mimo dosah dětí.

2. Zatlačte vypínač motoru (F), je-li jím motor vybaven, do polohy off.
3. Po zastavení motoru přepněte palivový ventil (A), je-li jím motor vybaven, do polohy closed.

## Údržba

Doporučujeme svěřit veškerý servis a údržbu motorů a jejich dílů některému autorizovanému prodejci značky Briggs & Stratton.

**POZNÁMKA:** Aby motor správně fungoval, musí všechny jeho součásti zůstat na svém místě.



**VAROVÁNÍ:** Když provádíte údržbu, která vyžaduje překlopení zařízení, musí být palivová nádrž prázdná, jinak může palivo uniknout a způsobit požár nebo explozi.

## Omezení emisí

**Údržbu, výměnu nebo opravu zařízení a systémů řízení emisí může provádět jakékoli zařízení nebo osoba zabývající se opravami nesilničních motorů.** Chcete-li však mít servis řízení emisí „zdarma“, musí práci provádět prodejce autorizovaný továrnou. Viz záruka dodržování emisních limitů.



## VAROVÁNÍ



**Neúmyslné jiskření může způsobit požár nebo úraz elektrickým proudem.**



**Neúmyslné spuštění motoru může způsobit zachycení, amputaci končetiny nebo tržné rány.**



**Riziko požáru**

### Před prováděním seřizování nebo oprav:

- Odpojte kabel od zapalovací svíčky a uložte jej dále od zapalovací svíčky.
- Odpojte kabel od záporného vývodu akumulátoru (jen pokud je motor vybaven elektrickým spouštěčem).
- Používejte pouze správné nástroje.
- Otáčky motoru se nesmí zvyšovat úpravami pružin regulátoru, táhel a ostatních dílů.
- Náhradní díly musí mít stejné provedení jako původní díly a musí být nainstalovány ve stejné poloze. Jiné díly nemusí poskytovat požadovaný výkon, mohou poškodit zařízení nebo způsobit zranění.
- Na setrvačnick netlučte kladivem nebo tvrdým předmětem, protože hrozí rozpad setrvačnicku při dalším provozu.

### Při zkoušení svíčky:

- Použijte schválenou zkoušečku zapalovacích svíček
- Nezkoušejte jiskru zapalování při vyjmuté svíčke.

## Tabulka údržby

### Každých 8 hodin provozu nebo denně

- Zkontrolujte stav oleje v motoru.
- Vyčistěte oblast kolem tlumiče výfuku a ovládacích prvků

### Každých 100 hodin nebo jednou ročně

- Vyčistěte nebo vyměňte vzduchový filtr \*
- Vyměňte olej v motoru a filtr.
- Vyčistěte předfiltr (pokud je jím zařízení vybaveno) \*
- Vyměňte zapalovací svíčky
- Zkontrolujte tlumič výfuku a lapač jisker

### Každých 250 hodin nebo jednou ročně

- Překontrolujte vůli ventilů. Dle potřeby seříd'te.

### Každých 400 hodin nebo jednou za rok

- Vyměňte vzduchový filtr
- Vyměňte palivový filtr
- Vyčistěte vzduchový chladicí systém \*
- Vyčistěte žebra olejového chladiče \*

\* V prašném prostředí nebo v prostředí, kde se nečistoty roznášejí vzduchem, čistěte častěji.

## Seřízení karburátoru a rychlosti motoru

Nikdy sami neseřizujte karburátor ani rychlost motoru. Karburátor je již z výroby seřízen tak, aby efektivně fungoval ve většině pracovních podmínek. Otáčky motoru se nesmí zvyšovat úpravami pružin regulátoru, táhel a ostatních dílů. Pokud je přece jen nutné seřízení provést, kontaktujte autorizované servisní středisko Briggs & Stratton.

**POZNÁMKA:** Výrobce zařízení, do kterého je motor osazen, uvádí maximální rychlost motoru vhodnou pro provoz daného zařízení. **Nepřekračujte** tuto rychlost. Pokud si nejste jisti, jaká je maximální rychlost zařízení nebo jaká rychlost motoru byla nastavena z výroby, požádejte o pomoc autorizované servisní středisko Briggs & Stratton. Aby zařízení bezpečně a správně fungovalo, měl by rychlost motoru vždy seřizovat pouze kvalifikovaný servisní technik.

### Postup výměny zapalovací svíčky – Obrázek 5

Zkontrolujte vzduchovou mezeru (A, Obrázek 5) pomocí drátové měrky (B). Je-li to nutné, mezeru znovu nastavte. Nainstalujte zapalovací svíčku a dotáhněte ji na doporučený krouticí moment. Postup nastavení mezery nebo krouticí moment najdete v sekci **Specifikace**.

**Poznámka:** V některých státech místní předpisy vyžadují použití zapalovací svíčky s odporem pro potlačení rušení. Jestliže byl tento motor původně vybaven svíčkou s odporem, používejte k výměně svíček stejného typu.

### Zkontrolujte tlumič výfuku a lapač jisker – Obrázek 6



#### VAROVÁNÍ



Provozem motorů se vytváří teplo. Díly motoru, zejména tlumič výfuku, jsou za provozu extrémně horké.

Ve styku s nimi mohou vzniknout vážné popáleniny.

Hořlavý materiál, jako je listí, tráva, roští atd., může vzplanout.

- Před manipulací nechejte tlumič výfuku, válec a žebra motoru vychladnout.
- Odstraňujte hořlavé nečistoty, hromadící se v prostoru tlumiče a válce.
- Při použití zařízení na zalesněném, travnatém nebo křovinném porostlém pozemku bez lapače jisker nainstalovaného ve výfukovém systému a udržovaného v řádném funkčním stavu porušujete ustanovení paragrafu 4442 Zákona o veřejných zdrojích státu Kalifornie. Jiné státy nebo federální jurisdikce mohou mít podobné zákony. Chcete-li zakoupit lapač jisker vhodný pro výfukový systém nainstalovaný na tomto motoru, kontaktujte výrobce původního zařízení, prodejce nebo dodavatele.

Odstraňujte hořlavé nečistoty, hromadící se v prostoru tlumiče a válce. Zkontrolujte, zda tlumič výfuku (A, Obrázek 6) nevykazuje praskliny, korozi nebo jiné poškození. Sejměte jiskrojem (B), je-li jím motor vybaven a zkontrolujte, zda není poškozen nebo zanesen uhličitými usazeninami. Pokud zjistíte poškození, před dalším spuštěním přístroje nainstalujte náhradní díly.



#### VAROVÁNÍ:

Náhradní díly musí mít stejné provedení jako původní díly a musí být nainstalovány ve stejné poloze. Jiné díly nemusí poskytovat požadovaný výkon, mohou poškodit zařízení nebo způsobit zranění.

### Postup výměny oleje – Obrázek 7 8 9 10

Použitý olej je nebezpečný odpad a musí být likvidován správným způsobem. Použitý olej nepatří do domovního odpadu. Ohledně bezpečné likvidace/recyklace oleje se poraďte s místními úřady, servisním střediskem nebo prodejcem.

#### Odstraňte olej

1. Vypněte motor a dokud je ještě teplý, odpojte kabel zapalovací svíčky (A) a uložte jej v bezpečné vzdálenosti od svíčky (Obrázek 7).
2. Odstraňte zátku pro vypouštění oleje (B, Obrázek 8). Vypusťte olej do schválené nádoby.
3. Po vypuštění oleje nasadte a utáhněte vypouštěcí zátku.

#### Vyměňte olejový filtr (je-li jím motor vybaven)

Některé modely jsou vybaveny olejovým filtrem. Interval výměny jsou uvedeny v tabulce **Údržba**.

1. Vypusťte olej z motoru. Viz sekci **Vypouštění oleje**.
2. Vyměňte olejový filtr (C) a předepsaným způsobem jej zlikvidujte. Viz Obrázek 9.
3. Před osazením nového filtru lehce potřete jeho těsnění čerstvým a čistým motorovým olejem.
4. Osadte olejový filtr ručně, dokud se těsnění nedotkne adaptéru filtru, poté olejový filtr utáhněte o 1/2 až 3/4 otáčky.
5. Dolijte olej. Viz sekci **Doplnění oleje**.
6. Spusťte motor a nechte jej chvíli běžet. Když se motor zahřeje, zkontrolujte, zda nedochází k únikům oleje.
7. Zastavte motor a zkontrolujte hladinu oleje. Měla by být v horní části indikátoru full (F) na měrce (Obrázek 10).

#### Doplnění oleje

- Motor dejte do vodorovné polohy.
  - Vyčistěte prostor pro doplňování oleje od nečistot.
  - Objem oleje naleznete v části **Specifikace**.
1. Vyměňte měrku (D) a ořete ji čistým hadříkem (Obrázek 10).
  2. Nalévejte olej pomalu do plnicího otvoru motoru (E). **Dejte pozor, abyste jej nepřelili.** Po doplnění oleje počkejte jednu minutu a pak stav oleje znovu zkontrolujte.
  3. Zasuňte měrku zpět a utáhněte ji.

4. Vyměňte měrku a zkontrolujte hladinu oleje. Měla by být v horní části indikátoru full (F) na měrce.
5. Zasuňte měrku zpět a utáhněte ji.

### Provádění údržby vzduchového filtru – Obrázek 11



#### VAROVÁNÍ



Palivo a jeho páry jsou vysoce hořlavé a výbušné.

Požár nebo výbuch může způsobit vážné popáleniny nebo i smrt

- Nespuštějte ani neprovodujte motor s odmontovanou sestavou vzduchového filtru (je-li jím motor vybaven) nebo s vyjmutým vzduchovým filtrem (je-li jím motor vybaven).

**POZNÁMKA:** Nepoužívejte k čištění filtru stlačený vzduch nebo rozpouštědla. Stlačený vzduch může filtr poškodit a rozpouštědla jej rozpustí.

Na obrázku jsou znázorněny dva typy systémů vzduchového filtru. Požadavky na servis naleznete ve **Schématu údržby**.

1. Uvolněte západky (A) a sejměte kryt (B). Viz Obrázek 11.
2. Odstraňte matici (D) a pojistný kroužek (E). Viz obrázky 11.
3. Vyměňte vzduchový filtr (F).
4. Pokud je vzduchový filtr vybaven předfiltrem (G), odstraňte jej.
5. Zlehka oklepejte vzduchový filtr o tvrdou podložku, aby se z něj uvolnily nečistoty. Pokud je vzduchový filtr příliš znečištěný, vyměňte jej za nový.
6. Vyperte předfiltr v tekutém odmašťovacím prostředku a vodě. Poté jej nechte na vzduchu důkladně uschnout. **Nemazte** předfiltr olejem.
7. Spojte suchý předfiltr se vzduchovým filtrem.
8. Namontujte vzduchový filtr a zajistěte ho zarážkou a maticí.
9. Namontujte kryt a zajistěte jej.

### Postup výměny palivového filtru – Obrázek 12



#### VAROVÁNÍ



Palivo a jeho páry jsou vysoce hořlavé a výbušné.

Požár nebo výbuch může způsobit vážné popáleniny nebo i smrt

- Chraňte palivo před jiskrami, otevřeným ohněm, věčným plamínkem, teplem a jinými zdroji zapálení.
- Kontrolujte palivové potrubí, nádrž a víčko a všechny spoje na těsnost a praskliny. V případě potřeby proveďte výměnu.
- Než vyměníte palivový filtr, vypusťte palivovou nádrž nebo uzavřete uzavírací ventil paliva.
- Náhradní díly tlumiče výfuku musí být stejné jako originály a namontované na původních místech.
- Jestliže rozlijete palivo, počkejte, až se odpaří a teprve potom spusťte motor.

1. Než vyměníte palivový filtr (A, Obrázek 12), pokud je jím zařízení vybaveno, vypusťte palivovou nádrž nebo uzavřete uzavírací ventil paliva. Jinak může palivo prosáknout a způsobit požár nebo výbuch.
2. Ke stisknutí úchytek (B) na svérkách (C) použijte kleště, potom odsuňte svěrky stranou od palivového filtru. Odšroubujte a vytáhněte palivové potrubí (D) z palivového filtru.
3. Kontrolujte palivové potrubí kvůli těsnosti a trhlinám a podle potřeby vyměňte.
4. Filtr vyměňujte při použití originálního nářadí na výměnu filtru.
5. Zabezpečte palivové potrubí svérkami, jak je na vyobrazení.

### Postup čištění vzduchového chladicího systému – Obrázek 13



#### VAROVÁNÍ



Provozem motorů se vytváří teplo. Díly motoru, zejména tlumič výfuku, jsou za provozu extrémně horké.

Ve styku s nimi mohou vzniknout vážné popáleniny.

Hořlavý materiál, jako je listí, tráva, roští atd., může vzplanout.

- Před manipulací nechejte tlumič výfuku, válec a žebra motoru vychladnout.
- Odstraňujte hořlavé nečistoty, hromadící se v prostoru tlumiče a válce.

**POZNÁMKA:** Nepoužívejte k čištění motoru vodu. Mohla by kontaminovat palivovou soustavu. K čištění motoru použijte kartáč nebo suchý hadřík.

Toto je motor chlazený vzduchem. Špína nebo nečistoty mohou omezovat proudění vzduchu a způsobit přehřátí motoru, což povede ke špatnému výkonu a sníží životnost motoru.

Pomocí kartáče nebo suchého hadříku odstraňte nečistoty z chrániče prstů (A). Udržujte táhla, pružiny a ovládací prvky (B) čisté. Z prostoru okolo tlumiče výfuku (C) a za ním odstraňujte hořlavé nečistoty (Obrázek 13). Ujistěte se, že na žebrech olejového (D) není špína a nečistoty.

## Skladování



### VAROVÁNÍ



Palivo a jeho páry jsou vysoce hořlavé a výbušné.  
Požár nebo výbuch může způsobit vážné popáleniny nebo i smrt

#### Při skladování paliva nebo zařízení s palivem v nádrži

- Uložte odděleně od pecí, kamen, ohřivačů vody či jiných zařízení, která mají věčný plamínek nebo od jiných zdrojů zapálení. Mohou zažehnout výpary z paliva.

#### Palivová soustava

Palivo může při skladování delším než 30 dnů zvětrat. Zvětralé palivo způsobuje tvorbu usazenin kyseliny a gumovitých usazenin v palivové soustavě nebo na základních dílech

karburátoru. Chcete-li udržet palivo čerstvé, používejte přípravek pro úpravu a stabilizaci paliva se zdokonaleným složením **Advanced Formula Fuel Treatment & Stabilizer společnosti Briggs & Stratton**, který je k dispozici všude tam, kde se prodávají originální náhradní díly zn. Briggs & Stratton.

Používáte-li stabilizátor paliva podle pokynů, není potřeba vypouštět benzín z motoru. Před skladováním nechte motor běžet 2 minuty, aby se stabilizátor rozptýlil po celém palivové soustavě.

Pokud nebyl do benzínu přidán stabilizátor paliva, musí být vypuštěn do schváleného kanistru. Nechte motor běžet, dokud se veškerý zbylý benzín nespotřebuje. Doporučuje se použít stabilizátor paliva i do kanistru, ve kterém bude uskladněn, aby nedošlo k jeho zvětrání.

#### Motorový olej

Olej vyměňujte, dokud je motor ještě teplý.

#### Vyhledávání a odstraňování závad

Potřebujete pomoc? Jděte na stranu **VanguardEngines.com** nebo zavolejte na telefonní číslo **1-800-999-9333** (v USA).

## Specifikace

Specifikace motorů	
Model	290000
Zdvihový objem	29,23 ci (479 ccm)
Vrtání	2,677 in (68 mm)
Zdvih	2,598 in (66 mm)
Objem oleje	46 - 48 oz (1,36 - 1,42 l)

Specifikace motorů	
Model	300000
Zdvihový objem	29,23 ci (479 ccm)
Vrtání	2,677 in (68 mm)
Zdvih	2,598 in (66 mm)
Objem oleje	46 - 48 oz (1,36 - 1,42 l)

Specifikace motorů	
Model	350000
Zdvihový objem	34,78 ci (570 ccm)
Vrtání	2,835 in (72 mm)
Zdvih	2,756 in (70 mm)
Objem oleje	46 - 48 oz (1,36 - 1,42 l)

Specifikace motorů	
Model	380000
Zdvihový objem	38,26 ci (627 ccm)
Vrtání	2,972 in (75,5 mm)
Zdvih	2,756 in (70 mm)
Objem oleje	46 - 48 oz (1,36 - 1,42 l)

Specifikace seřízení *	
Model	290000, 300000
Vzduchová mezera zapalovací svíčky	0,030 in (0,76 mm)
Utahovací moment zapalovací svíčky	180 lb-in (20 Nm)
Vzduchová mezera zapalovací cívký	0,008 - 0,012 in (0,20 - 0,30 mm)
Vúle sacího ventilu	0,004 - 0,006 in (0,10 - 0,15 mm)
Vúle výfukového ventilu	0,004 - 0,006 in (0,10 - 0,15 mm)

Specifikace seřízení *	
Model	350000, 380000
Vzduchová mezera zapalovací svíčky	0,030 in (0,76 mm)
Utahovací moment zapalovací svíčky	180 lb-in (20 Nm)
Vzduchová mezera zapalovací cívký	0,008 - 0,012 in (0,20 - 0,30 mm)
Vúle sacího ventilu	0,004 - 0,006 in (0,10 - 0,15 mm)
Vúle výfukového ventilu	0,004 - 0,006 in (0,10 - 0,15 mm)

\* Výkon motoru klesá o 3,5 % na každých 300 metrů (1 000 stop) nadmořské výšky a o 1 % na každých 5,6° C (10° F) nad 25° C (77° F). Motor funguje normálně při náklonu do 15°. Maximální dovolené provozní limity pro svahy najdete v návodu k obsluze zařízení.

### Běžné servisní díly

Servisní díl	Číslo dílu
Vzduchový filtr – kromě modelu: 358700, 358700	394018
Vzduchový filtr – model: 358700, 358700	692519
Předfiltr vzduchového filtru – kromě modelu: 358700, 358700	272490
Předfiltr vzduchového filtru – model: 358700, 358700	692520
Olej – SAE 30	100028
Olejový filtr – 6 cm dlouhý	492932
Olejový filtr – 9 cm dlouhý	491056

Servisní díl	Číslo dílu
Palivový filtr – s palivovou nádrží	808116
Palivový filtr – s palivovým čerpadlem	691035
Palivový filtr – bez palivového čerpadla	298090
Advanced Formula Fuel Treatment & Stabilizer (Přípravek pro úpravu a stabilizaci paliva se zdokonaleným složením)	100117, 100120
Zapalovací svíčka s odrušením	491055
Platinová zapalovací svíčka s dlouhou životností	5066
Klíč na zapalovací svíčku	19374
Zkoušečka zapalování	19368

✓ Doporučujeme svěřit veškerý servis a údržbu motorů a jejich dílů autorizovanému prodejci značky Briggs & Stratton.

**OMEZENÁ ZÁRUKA**

Společnost Briggs & Stratton zaručuje, že během níže uvedené záruční doby bezplatně opraví nebo vymění jakýkoli díl nebo díly s vadou materiálu nebo dílenského zpracování, případně obojího. Náklady na dopravu produktu k opravě nebo výměně podle této záruky nese kupující. Tato záruka platí na dobu a za podmínek zde stanovených. Záruční servis si objednejte u nejbližšího autorizovaného servisu, který naleznete na mapě vyhledavače autorizovaných servisů na adrese BRIGGSandSTRATTON.COM. Kupující musí kontaktovat autorizovaný servis, a poté předat produkt autorizovanému servisu ke kontrole a k testování.

**Neexistuje žádná další výslovná záruka. Předpokládané záruky, včetně např. záruky prodejnosti a vhodnosti pro konkrétní účel, jsou omezeny na níže uvedenou záruční dobu, nebo na jinou dobu povolenou zákonem. Odpovědnost za náhodné nebo následné škody je vyloučena v maximálním rozsahu povoleném zákonem.** Některé státy nebo země nedovolují omezení délky předpokládané záruky a některé státy nebo země nedovolují vyloučení nebo omezení náhodných nebo následných škod, takže se vás výše uvedená vyloučení a omezení nemusí týkat. Tato záruka vám dává specifická práva, a můžete mít i jiná práva, která se liší v jednotlivých státech a zemích.\*\*

**STANDARDNÍ ZÁRUČNÍ PODMÍNKY \* ▲**

Značka/Typ produktu	Spotřebitelské použití	Komerční použití
Vanguard™ ■	3 roky	3 roky
Commercial Turf Series™	2 roky	2 roky
Motory vybavené litinovou vložkou válce Dura-Bore™	2 roky	1 rok
Všechny ostatní motory Briggs & Stratton	2 roky	90 dní

\* Toto jsou naše standardní podmínky záruky, ta však může být v některých případech rozšířena, aniž by nám to bylo v době vydání tohoto dokumentu známo. Informace o aktuálních záručních podmínkách pro váš motor najdete na webu BRIGGSandSTRATTON.COM nebo kontaktujte autorizovaný servis Briggs & Stratton.

\*\* Pro Austrálii – naše zboží je dodáváno se zárukami, které nelze podle australského zákona o ochraně spotřebitele vyloučit. Máte nárok na výměnu nebo vrácení peněz v případě větší poruchy a na náhradu všech ostatních ztrát nebo škod, které se daly rozumně předvídat. Máte rovněž nárok na opravu nebo výměnu zboží, pokud toto zboží nemá přijatelnou kvalitu a pokud porucha neodpovídá definici větší poruchy. Záruční opravy si objednejte u nejbližšího autorizovaného servisu, který naleznete na mapě vyhledavače autorizovaných servisů na adrese BRIGGSandSTRATTON.COM, na telefonním čísle 1300 274 447, případně prostřednictvím e-mailové nebo poštovní adresy salesenquiries@briggsandstratton.com.au, Briggs & Stratton Australia Pty Ltd, 1 Moorebank Avenue, Moorebank, NSW, Australia, 2170.

▲ Není poskytována žádná záruka na motory nebo zařízení používané jako primární pohon namísto užitkového zařízení ani pro záložní generátory používané ke komerčním účelům. Motory používané pro závodění nebo na komerčních či pronajímaných tratích nejsou pokryty zárukou.

■ Motory Vanguard nainstalované na záložních generátorech: 2 roky záruka pro spotřebitelské používání, žádná záruka pro komerční používání. Motory Vanguard nainstalované v užitkových automobilech: 2 roky záruka pro spotřebitelské používání, 2 roky záruka pro komerční používání. 3válcový motor Vanguard chlazený kapalinou: viz Podmínky záruky pro vlastníky 3válcových kapalinou chlazených motorů Briggs & Stratton.

Záruční doba začíná běžet okamžikem prvního zakoupení produktu v maloobchodě nebo zakoupení produktu komerčním uživatelem, a její délka je uvedena výše, v tabulce. „Spotřební použití“ je definováno jako použití maloobchodním zákazníkem v jeho domácnosti. „Komerční použití“ je definováno jako všechna ostatní možná použití, včetně použití ke komerčním účelům, k dosažení zisku nebo k pronajímání. Pokud byl motor použit ke komerčním účelům, je už nadále pro účely této záruky považován za komerčně používaný motor.

**Doklad o koupi si uschovejte. Pokud v čase požadavku na záruční servis nedoložíte původní datum nákupu, bude pro určení záruční doby použito datum výroby. Registrace výrobku není pro obdržení záručního servisu na výrobky Briggs & Stratton vyžadována.**

**O naší záruce**

Tato omezená záruka pokrývá pouze materiál související s motorem a/nebo práci a nikoliv výměnu nebo proplacení zařízení, na kterém může být motor namontován. Běžná údržba, tuning, seřízení nebo normální opotřebení nejsou touto zárukou pokryty. Stejně tak se záruka nevztahuje na motor, který byl pozměněn nebo upraven ani na motor, jehož sériové číslo bylo znečitelněno nebo odstraněno. Tato záruka se nevztahuje na použité, renovované, zakoupené z druhé ruky ani na předváděcí zařízení nebo motory. Tato záruka nepokrývá poškození motoru ani problémy s výkonem způsobené:

- 1 Použitím jiných než originálních dílů Briggs & Stratton.
- 2 Provozováním motoru s kontaminovaným mazacím olejem, s nesprávným typem oleje nebo s jeho nedostatečnou hladinou.
- 3 Použitím kontaminovaného nebo starého paliva, benzínu smíchaného s etanolem o obsahu více než 10% ani na použití alternativních paliv, jako jsou zkvapalněný nebo zemní plyn u motorů, které nebyly společností Briggs & Stratton zkonstruovány/vyrobeny pro použití na tato paliva.
- 4 Nečistotou, která se dostala do motoru v důsledku nesprávné údržby nebo zpětné montáže čističe vzduchu.

- 5 Úderem nože rotační sekačky na trávu do nějakého předmětu, uvolněním nebo nesprávně namontovanými nožovými adaptéry, oběžnými koly nebo jinými prvky spojenými s klikovým hřídelem nebo nadměrným napnutím klínového řemene.
- 6 Souvisejícími součástmi nebo sestavami, např. spojkami, převody, ovládacími zařízeními apod., které nebyly dodány společností Briggs & Stratton.
- 7 Přehřátím vyvolaným kusy trávy, nečistotami, úlomky nebo hnízdy hlodavců ucpávajícími chladicí žebra nebo prostor setrvačnicku nebo provozováním motoru bez dostatečné ventilace.
- 8 Nadměrnými vibracemi vyvolanými přílišnými otáčkami, uvolněným závěsem motoru, uvolněnými nebo nevyváženými noži či oběžnými koly nebo nesprávnou montáží součástí zařízení na klikový hřídel.
- 9 Nesprávným používáním, nedostatečnou běžnou údržbou, přepravou, manipulací nebo skladováním zařízení nebo nesprávnou montáží motoru.

**Záruční servis je dostupný pouze prostřednictvím autorizovaných dealerů společnosti Briggs & Stratton. Nejbližší autorizované dealery společnosti Briggs & Stratton najdete na naší mapě dealerů na webové stránce BRIGGSandSTRATTON.COM nebo na telefonu 1-800-233-3723 (v USA).**

## Üldinfo

See kasutusjuhend sisaldab ohutuslasi infot, et teadvustada Teid mootoritega seotud ohtudest ja riskidest ning nende vältimise võimalustest. Lisaks sisaldab see juhiseid mootori õige kasutamise ja hooldamise kohta. Kuna Briggs & Stratton Corporation ei pruugi teada, millist seadet see mootor käitab, on oluline, et te loeksite ja mõistaksite siinseid ja käitatava seadme kohta käivaid juhiseid. **Hoidke need juhised tulevikus kasutamiseks alles.**

Varuosade tellimisel ja tehnilise abi saamiseks pange allpool kirja mootori mudel, tüüp ja koodid koos ostukuupäevaga. Nende numbrite asukohti vaadake mootorilt (vt lk **Omadused ja juhtseadised**).

**Ostukuupäev:** \_\_\_\_\_  
PP/KK/AAAA

**Mootori mudel:** \_\_\_\_\_  
Mudel: Tüüp: Kood:

**Võimsus:** Bensiinimootorite brutovõimsust märgitakse vastavalt SAE (Society of Automotive Engineers) koodile J1940 (väikemootorite võimsuse ja jõumomendi määramise protseduur) ning vastav jõudlus on saavutatud ja korrigeeritud standardi SAE J1995 järgi. Pöörlemomendi väärtused on mõõdetud pööratel 2600 p/min mootorite puhul, mille pöörlemisagedus on andmesildil kirjas, ja 3060 p/min teiste mootorite puhul; hobujõudude väärtused on mõõdetud pööratel 3600 p/min. Brutovõimsuse kõveraid saab näha veebilehel [www.BRIGGSandSTRATTON.COM](http://www.BRIGGSandSTRATTON.COM). Netovõimsuse väärtused on saadud koos heitgaasi- ja õhupuhastiga, brutojõumoment aga ilma nimetatud seadisteta. Tegelik brutojõumoment on kõrgem ning sõltub muu hulgas keskkonnatingimustest ja mootorite individuaalsetest erinevustest. Arvestades laia tootevalikut, millele mootoreid on paigaldatud, ei saavuta bensiinimootor antud brutojõumomendi konkreetse seadmes. See erinevus tuleneb mitmest tegurist, k.a mootori osad (õhupuhasti, väljalasketoru, laadimine, jahutus, karburaator, kütusepump jne), kasutuspiirangud, keskkonnatingimused (temperatuur, niiskus, kõrgus) ning mootorite individuaalsed erinevused. Tootmis- ja mahupiirangute tõttu võib Briggs & Stratton asendada kõrgema nimivõimsusega mootori selle seeria mootoriga.

## Kasutaja ohutus

### OHUTUS- JA JUHTSÜMBOLID



Ohusümbolit kasutatakse, et tähistada teavet nendest ohtude kohta, mis võivad põhjustada inimestele vigastusi. Koos ohusümboliga kasutatakse hoiatussõna (OHTLIK, HOIATUS või ETTEVAATUST) vigastuse tõenäosuse ja potentsiaalse raskusastme tähistamiseks. Lisaks võib ohusümbolit kasutada ohu tüübi kirjeldamiseks.

**OHTLIK** tähistab ohtu, mis juhul, kui seda ei väldita, **toob kaasa surma või raske kehavigastuse.**

**HOIATUS** tähistab ohtu, mis juhul, kui seda ei väldita, **võib kaasa tuua surma või raske kehavigastuse.**

**ETTEVAATUST** tähistab ohtu, mis juhul, kui seda ei väldita, **võib kaasa tuua kerge või keskmise kehavigastuse.**

**MÄRKUS** tähistab olukorda, kus seade võib saada kahjustada.

**HOIATUS**  
Selle toote teatud osad ja tarvikud sisaldavad kemikaale, mis võivad põhjustada vähki, sünnidefekte või muid pärilikke haigusi. Pärast nimetatud seadmete käsitlemist peske käsi.

**HOIATUS**  
Selle mootori heitgaasid sisaldavad keemilisi aineid, mis California osariigi andmeil põhjustavad vähki, sünnidefekte või kahjustavad muul viisil paljunemisvõimet.

**HOIATUS**  
Briggs & Strattoni mootorid ei ole välja töötatud ega mõeldud järgmiste seadmete käitamiseks: kartautod; hobikardid; lastele, hobiks või spordiks mõeldud maastikukulgid (ATVd); mootorrattad; hõljukid; lennumasinad või Briggs & Strattoni loata võistlustes kasutatavad sõidukid. Teavet võidusõiduseadmete kohta leiata veebilehelt [www.briggsracing.com](http://www.briggsracing.com). Tarbe- või kahekojalistes maastikukulgurites kasutamiseks pöörduge Briggs & Strattoni mootorite rakenduskeskusse, 1-866-927-3349. Mootori väärkasutus võib põhjustada tõsiseid kehavigastusi või surma.

**MÄRKUS:** Antud Briggs & Strattoni mootor on tarnitud ilma õlita. Enne mootori käivitamist lisage kindlasti õli vastavalt käesoleva juhendi ettekirjutustele. Kui käivitate mootori ilma õlita, tekitab see parandamatuid kahjustusi ja muudab garantii kehtetuks.



## HOIATUS



**Bensiin ja selle aurud on väga tule- ja plahvatusohtlikud.**  
Süttimine või plahvatus võib põhjustada raskeid põletushaavu või surma.

### Kütuse lisamisel

- Lülitage mootor välja ja laske sel enne kütusepaagi korgi eemaldamist vähemalt 2 minuti jooksul jahtuda.
- Täitke kütusepaaki õues või hästiventileeritud ruumides.
- Ärge täitke kütusepaaki üle. Paisumisruumi jätmiseks ärge täitke üle kütusepaagi kaela.
- Hoidke kütust sädemete, lahtiste leekide, gaasiseadmete süüteleekide, kuumuse ning muude süüteallikate eest.
- Kontrollige regulaarselt, et kütusetorudes, paagis, korgis ja liitmikes ei oleks pragusid ega lekkeid. Vajadusel asendage defektne osa uuega.
- Kütuse mahavoolamise korral oodake enne mootori käivitamist kütuse aurustumiseni.

### Mootori käivitamisel

- Veenduge, et süüteküünal, summuti, kütusepaagi kork ja õhufilter (selle olemasolul) on oma kohal ja kinnitatud.
- Ärge käituge eemaldatud süüteküünlaga mootorit.
- Kui mootor on bensiini täis, seadke õhuklapp (kui see on olemas) asendisse AVATUD/TÕÕ, seguklapp kiire töö asendisse ja käivitage, kuni mootor tööle hakkab.

### Seadme kasutamisel

- Ärge kallutage mootorit või seadet asendisse, milles kütus võib välja voolata.
- Ärge sulgege mootori seiskamiseks karburaatorit.
- Ärge käivitage mootorit, kui õhupuhasti või õhufilter (nende olemasolul) on eemaldatud.

### Õli vahetamine

- Kui lasete õli välja ülemise õlitäitetoru kaudu, peab kütusepaak olema tühi, vastasel korral võib kütus välja voolata ja põhjustada tulekahju või plahvatus.

### Seadme hooldusotstarbeks kallutamine

- Kui seadme hooldamine nõuab selle kallutamist, peab kütusepaak olema tühi, vastasel korral võib kütus välja voolata ja põhjustada tulekahju või plahvatus.

### Seadme transportimisel

- Transportige seadet TÜHJA kütusepaagiga või suletud asendis (OFF) kütusekraaniga.

### Kütuse või paagis oleva kütusega seadmete hoiustamisel

- Ärge hoidke seadet kamina, ahju, veeboileri või muude süüteleegiga seadmete või süttimisallikate läheduses, sest need võivad süüdata kütuseaurud.



## HOIATUS



**Mootori käivitamisel tekivad sädemed.**  
Sädemed võivad põhjustada läheduses olevate tuleohtlike gaaside süttimise.  
Selle tulemuseks võib olla plahvatus või tulekahju.

- Kui ümbruskonnas on aset leidnud maa- või vedelgaasileke, ärge mootorit käivitage.
- Ärge kasutage surve all olevaid käivitusvedelikke, sest nende aurud on tuleohtlikud.



## HOIATUS



**MÜRKGAASID OHT.** Mootori heitgaasid sisaldavad süsinikmonoksiidi, mis on mürgine ja võib tappa minutitega. Seda EI SAA näha, haista ega maitsta. Isegi heitgaaside lõhna mitte tundes võib süsinikmonoksiid teile mõju avaldada. Kui teid tabab toodet kasutades halb enesetunne, iiveldus või nõrkus, lülitage see välja ja minge KOHE värskesse õhu kätte. Pöörduge arsti poole. Teil võib olla vingugaasimürgitus.

- Kasutage toodet AINULT välitingimustes, akendest, udest ja õhutusavadest eemal, et vältida vingugaasi kogunemist ja sattumist siseruumidesse.
- Paigaldage patareiga või pistikuga toimivad patareilisatoitel vingugaasialarmid vastavalt tootja soovitudele. Suitsualarm ei suuda vingugaasi tuvastada.
- ÄRGE kasutage toodet majas, garaažis, keldris, tunnelis, kuuris ega mujal osaliselt suletud ruumis isegi ventilaatorite toel või õhutamiseks uksi-aknaid avades. Vingugaas koguneb ruumides kiiresti ja võib seal püsida tunde ka pärast mootori seiskamist.
- Asetage toode ALATI allatult ja suunake heitgaasid inimestest eemale.



## HOIATUS



**Käivitustrossi sissetõmbumisel liiguvad käsi ja käsivars mootori poole nii kiiresti, et te ei jõua sellest lahti lasta.**  
Tagajärjeks võivad olla luumurrud, luumõrad, marrastused või nikastused.

- Mootorit käivitades tõmmake trossi aeglaselt, kuni tunnete takistust; seejärel tõmmake kiiresti, et vältida tagasilööki.
- Enne mootori käivitamist eemaldage seadme/mootori välised koormused.
- Seadme külge kinnituvad osad, sealhulgas, kuid mitte ainult, terad, tiivikud, rihmarattad, ketirattad jms peavad olema kindlalt kinnitatud.



## HOIATUS



**Pöörlevad osad võivad puutuda või vahele tõmmata käsi, jalgu, juukseid, rõivaid või muid esemeid.**

**Tagajärjeks võib olla kehaosade küljestrebimine või vigastus.**

- Kasutage ainult seadmeid, mille kaitsed on oma kohal.
- Hoidke käed ja jalad pöörlevatest osadest eemal.
- Siduge pikad juuksed kinni ning eemaldage ehted.
- Ärge kandke avaraid rõivaid, rippuvaid kinnituspaelu ega muid esemeid, mis võivad seadmesse takerduda.



## HOIATUS



**Töötavast mootorist eraldub soojust. Mootori osad, eelkõige summuti, võivad olla väga kuumad.**

**Nende puudutamine võib kaasa tuua raskeid põletushaavu.**



**Põlevad jäägid, näiteks puulehed, rohulibled, kõrred jms võivad süttida.**

- Laske summutil, mootorisilindril ja ribidel enne puudutamist jahtuda.
- Eemaldage summuti ja silindri piirkonnast sinna kogunenud praht.
- Mootori kasutamine metsa, kulu või muruga kaetud hooldamata alal on mootori kasutamine vastuolus Kalifornia riigivarade seadustiku artikliga 4442, kui väljalaskesüsteem pole varustatud töökorras sädemepüüdjaga, nagu sätestab artikkel 4442. Muudes osariikides või riikides võivad kehtida sarnased seadused. Mootorile paigaldatud väljalaskesüsteemile mõeldud sädemepüüdja saamiseks pöörduge seadme tootja, edasimüüja või müügiesinduse poole.



## HOIATUS



**Juhuslik säde võib põhjustada põlengu või elektrišoki.**

**Juhuslik käivitamine võib kaasa tuua jäsemete vahelejäämise, küljestrebimise või vigastuse.**



**Tuleoht**



### Enne seadistamist või parandamist:

- Ühendage lahti süüteküünla juhe ja hoidke seda süüteküünlast eemal.
- Ühendage lahti aku miinusklapp (ainult elektrikäivitiga mootorite puhul).
- Kasutage ainult õigeid tööriistu.
- Ärge püüdke gaasihoova vedru, ühenduslüli või mõne muu detaili kallal nokitsemisega suurendada mootori pöördeid.
- Varuosad peavad olema sama kujuga ja paigaldatud samas asendis kui originaaldetailid. Muud varuosad ei pruugi niisama hästi toimida ning võivad kahjustada seadet ja põhjustada vigastusi.
- Ärge lööge hooratast haamri või muu kõva esemega, sest see võib põhjustada hooratta hilisema purunemise töö käigus.

### Sädeme kontrollimisel:

- Kasutage heakskiidetud süüteküünlastestrit.
- Ärge kontrollige sädet, kui süüteküünal on eemaldatud.

# Omadused ja juhtseadised

Võrrelge joonist **1** oma mootoriga, et õppida tundma erinevate osade ja juhtseadiste paigutust.

- A. Mootori tuvastamine  
**Mudel Tüüp Kood**
- B. Süüteküünal
- C. Õhupuhas
- D. Õlivarras/õlitäiteava
- E. Õlifilter (lisavarustuses)
- F. Õli väljalaskeava
- G. Õlirõhu andur
- H. Sõrmekaitse
- I. Elektristarter
- J. Tagasikerimisstarter (lisavarustuses)
- K. Karburaator
- L. Väljalaskekollektor
- M. Kütusepump
- N. Kütusefilter (lisavarustuses)
- O. Õliradiaator (lisavarustuses)
- P. Summuti (lisavarustuses)

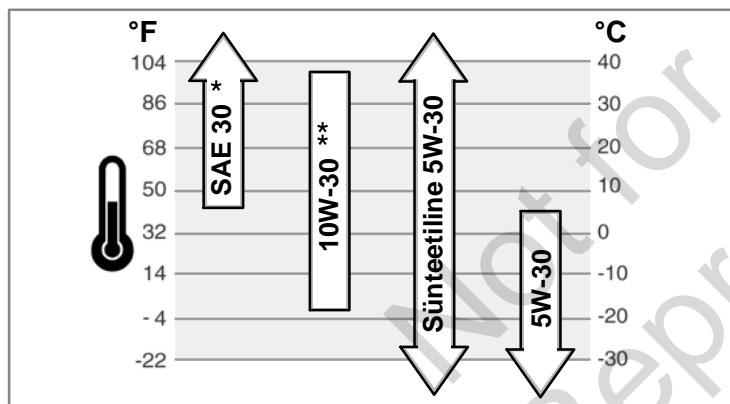
## Kasutamine

Õli maht (vt peatükki **Tehnilised andmed**)

### Soovitused õli kohta

Parima tulemuse saamiseks soovitame kasutada Briggsi & Strattoni sertifikaadiga õli. Lubatud on ka muud kvaliteetsed pesuõlid klassifikatsiooniga SF, SG, SH, SJ või kõrgemad. Ärge kasutage erilisi lisandeid.

Välitemperatuurist sõltub mootoriõli õige viskoossus. Kasutage kaarti, et valida eeldatavale välitemperatuurile õige viskoossus.



\* SAE 30 kasutamine alla 4°C juures tingib raskelt käivitumist.

\*\* Kõrgemal temperatuuril kui 27°C võib 10W-30 kasutamine põhjustada suurenenud õlitarbimist. Kontrollige sagedamini õlitaset.

### Kuidas kontrollida/lisada õli - joonis 2

#### Enne õli lisamist või kontrollimist

- Seadke mootor horisontaalseks
  - Puhastage õlitäiteava ümbrus prahist.
1. Eemaldage õlivarras (A) ja pühkige seda puhta lapiga (joonis 2).
  2. Sisestage mõõtevarras täies ulatuses.
  3. Eemaldage õlivarras ja kontrollige õlitaset. Õli peaks ulatuma õlivardal oleva märgi FULL (B) ülemise otsani.
  4. Kui õli on vähe, kallake õli aeglaselt mootori õlitäiteavasse (C). **Ärge kallake liiga palju.** Pärast õli lisamist oodake üks minut ja kontrollige siis õlitaset.
  5. Sisestage mõõtevarras täies ulatuses.

#### Madala õlitaseme kaitsesüsteem (sõltuvalt varustusest)

Mõned mootorid on varustatud madala õlitaseme anduriga. Kui õlitase on madal, lülitab andur sisse hoiatustule või seiskab mootori. Seisake mootor ja toimige selle taaskäivitamiseks alljärgnevalt.

- Veenduge, et mootor on tasakaalus.
- Kontrollige õlitaset. Vt peatükki **Kuidas kontrollida/lisada õli.**
- Kui õlitase on madal, lisage vajalik kogus õli. Käivitage mootor ja veenduge, et hoiatustuli (sõltuvalt varustusest) ei süüti.
- Kui õlitase ei ole madal, **ärge käivitage** mootorit. Pöörduge Briggs & Strattoni volitatud esindusse, et õlirõhu probleem lahendada.

## Kütusega seotud soovitus

### Kütus peab vastama järgmistele nõuetele:

- Puhas, värske, pliivaba bensiin.
- Minimaalne oktaanarv 87/87 AKI (91 RON). Suurtel kõrgustel kasutamise korral vt allpool.
- Lubatud on kasutada kuni 10%-lise etanoolisisaldusega bensiini (bensini ja alkoholi segu).

**ETTEVAATUST:** Ärge kasutage heakskiiduta bensiine, nagu nt E15 ja E85. Ärge segage bensiini õliga ega muutke mootorit alternatiivsete kütustega töötamiseks. Kasutusloata kütuste tarvitamine tekitab mootoriosade kahjustusi, mida garantii ei kata.

Kütusesüsteemi kaitsmiseks vaigu sadestumise eest segage kütusesse stabilisaatorit. Vt **Säilitamine.** Kõik kütused pole sarnased. Kui esineb probleeme käivitumisel või mootori töös, vahetage tarnijat või kütusemarki. See mootor on ette nähtud töötama bensiiniga. Heitmete kontrolli süsteem on EM (Engine Modifications).

### Suured kõrgused

Kõrgusel üle 1524 meetri tuleb kasutada bensiini, mille oktaanarv on vähemalt 85/85 AKI (89 RON).

Karburaatoriga mootoreid tuleb emissioonimäärade säilitamiseks kohandada kõrgusega vastavaks. Mootori käitamisel ilma nimetatud kohanduseta väheneb jõudlus, suureneb kütusetarve ja suurenevad emissioonimäärad. Kõrgusekohanduse asjus teabe hankimiseks võtke ühendust Briggs & Strattoni volitatud hooldusettevõttega. Kõrgusekohandusega mootori käitamine kõrgusel alla 762 meetrit (2500 jala) ei ole soovitatav.

Elektronilise sissepritsega (EFI) mootoritel ei ole kõrgusekohandust vaja teha.

### Kuidas lisada õli - joonis 3



#### HOIATUS



**Bensiin ja selle aurud on väga tule- ja plahvatusohtlikud.**

**Süttimine või plahvatus võib põhjustada raskeid põletushaavu või surma.**



#### Kütuse lisamisel

- Lülitage mootor välja ja laske sel enne kütusepaagi korki eemaldamist vähemalt 2 minutit jooksul jahtuda.
- Täitke kütusepaaki õues või hästiventileeritud ruumides.
- Ärge täitke kütusepaaki üle. Paisumisruumi jätmiseks ärge täitke üle kütusepaagi kaela.
- Hoidke kütust sademete, lahtiste leekide, gaasiseadmete süütleekide, kuumuse ning muude süüteallikate eest.
- Kontrollige regulaarselt, et kütusetorudes, paagis, korgis ja liitmikes ei oleks pragusid ega lekkeid. Vajadusel asendage defektne osa uuega.
- Kütuse mahavoolamise korral oodake enne mootori käivitamist kütuse aurustumiseni.

1. Puhastage kütusepaagi korki ümbrus mustusest ja prügist. Eemaldage kork (A, joonis 3).
2. Täitke kütusepaak (B) kütusega. Jätke kütusele paisumisruumi, ärge täitke kütusepaagi kaela (C).
3. Asetage kütusepaagi kork tagasi.

### Kuidas mootorit käivitada - joonis 4



#### HOIATUS



**Käivitustrossi sissetõmbumisel liiguvad käsi ja käsivars mootori poole nii kiiresti, et te ei jõua sellest lahti lasta.**

**Tagajärjeks võivad olla luumurrud, luumõrad, marrastused või nikastused.**

- Mootorit käivitades tõmmake trossi aeglaselt, kuni tunnete takistust; seejärel tõmmake kiiresti, et vältida tagasilööki.



#### HOIATUS



**Bensiin ja selle aurud on väga tule- ja plahvatusohtlikud.**

**Süttimine või plahvatus võib põhjustada raskeid põletushaavu või surma.**



#### Mootori käivitamisel

- Veenduge, et süüteküünal, summuti, kütusepaagi kork ja õhufilter (selle olemasolul) on oma kohal ja kinnitatud.
- Ärge käituge eemaldatud süüteküünalaga mootorit.
- Kui mootor on bensiini täis, seadke õhuklapp (kui see on olemas) asendisse AVATUD/TÕÖ, seguklapp kiire töö asendisse ja käivitage, kuni mootor tööle hakkab.





## HOIATUS



**MÜRKGAAASIDE OHT.** Mootori heitgaasid sisaldavad süsinikmonoksiidi, mis on mürgine ja võib tappa minutitega. Seda EI SAA näha, haista ega maitsta. Isegi heitgaaside lõhna mitte tundes võib süsinikmonoksiid teile mõju avaldada. Kui teid tabab toodet kasutades halb enesetunne, iiveldus või nõrkus, lülitage see välja ja mingi KOHE värske õhu kätte. Pöörduge arsti poole. Teil võib olla vingugaasimürgitus.

- Kasutage toodet AINULT välitingimustes, akendest, udest ja õhutusavadest eemal, et vältida vingugaasi kogunemist ja sattumist siseruumidesse.
- Paigaldage patareiga või pistikuga toimivad patareilisatoitel vingugaasialarmid vastavalt tootja soovitudele. Suitsualarm ei suuda vingugaasi tuvastada.
- ÄRGE kasutage toodet majas, garaazhis, keldris, tunnelis, kuuris ega mujal osaliselt suletud ruumis isegi ventilaatorite toel või õhutamiseks uksti-aknaid avades. Vingugaas koguneb ruumides kiiresti ja võib seal püsida tunde ka pärast mootori seiskamist.
- Asetage toode ALATI allatuult ja suunake heitgaasid inimestest eemale.

**MÄRKUS:** See Briggs & Strattoni mootor on tarnitud ilma õlita. Enne mootori käivitamist lisage kindlasti õli vastavalt selle juhendi ettekirjutustele. Kui käivate mootori ilma õlita, tekitab see parandamatuid kahjustusi ja muudab garantii kehtetuks.

**Märkus.** Mõnedel mootoritel ja seadmetel on kaugjuhtimisnupud. Kaugjuhtimisnuppude asukohta ja kasutamist vt seadme kasutusjuhendist.

1. Kontrollige õlitaset. Vt peatükki **Kuidas kontrollida/lisada õli**.
2. Veenduge, et masin on välja lülitatud.
3. Lülitage kütuse sulgklapp (A) selle olemasolul asendisse (joonis 4).
4. Vajutage stopplüliti (F), kui see on olemas, sisselülitatud asendisse.
5. Lükake seguklapp (B) tööasendisse . Laske mootoril töötada tööasendis .
6. Lükake õhuklapi hoob (C) õhuklapi asendisse.

**Märkus:** Sooja mootori taaskäivitamisel ei ole õhuklapi kasutamine tavaliselt vajalik.

7. **Tagasikerimiskäivitus:** Keerake võtme lüliti (D), kui see on olemas, käivitusasendisse.
8. **Tagasikerimiskäivitus:** Hoidke kõvasti starteri käepidemest (E). Tõmmake trossi aeglaselt, kuni tunnete takistust, seejärel tõmmake järsult.

**MÄRKUS:** kui mootor pärast korduva katset ei käivitu, pöörduge kohaliku edasimüüja poole või **VanguardEngines.com** or call **1-800-999-9333** (USA-s).



**HOIATUS!** Starteri trossi kiire tagasikerimine (tagasilöök) tõmbab kätt mootori poole väga kiiresti. Tagajärg: murdunud või möranenud luud, marrastused või venitused. Mootorit käivitades tõmmake trossi aeglaselt, kuni tunnete takistust, seejärel tõmmake kiiresti, et vältida tagasilööki.

9. **Elektriline käivitus:** Keerake elektrilise käivituse lüliti (D) töö/stardi asendisse.

**MÄRKUS:** kui mootor pärast korduva katset ei käivitu, pöörduge kohaliku edasimüüja poole või **VanguardEngines.com** or call **1-800-999-9333** (USA-s).

**MÄRKUS:** Kasutage starteri elua pikendamiseks lühikesi käivitustükkide (kõige enam viis sekundit). Enne uut käivitamist oodake minut aega.

10. Kuni mootor soojeneb, lükake õhuklapi hoob (C) töö asendisse.

## Kuidas mootorit seisata - joonis 4



## HOIATUS



**Bensiin ja selle aurud on väga tule- ja plahvatusohtlikud.**

**Süttimine või plahvatus võib põhjustada raskeid põletushaavu või surma.**

- Ärge sulgege mootori seiskamiseks karburaatorit.

1. Viige seguklapp (B) aeglase töö asendisse, pöörake võti (D) väljalülitatud asendisse (joonis 4). Eemaldage võti ja hoidke seda turvalises kohas väljaspool laste käeulatus.
2. Vajutage stopplüliti (F), kui see on olemas, väljalülitatud asendisse.
3. Kui mootor on seiskunud, keerake kütuse sulgklapp (A) (kui see on olemas) suletud asendisse.

et

## Hooldamine

Soovitame mootori ja mootori osade mis tahes hoolduseks pöörduda Briggsi & Strattoni volitatud edasimüüja poole.

**MÄRKUS:** Kõik mootori ehitamisel kasutatud osad peavad jääma korrektse töö tagamiseks oma kohale.



**HOIATUS:** Kui seadme hooldamine nõuab selle kallutamist, peab kütusepaak olema tühi, vastasel korral võib kütus välja voolata ja põhjustada tulekahju või plahvatus.

## Emissiooni kontrollimine

**Emissioonikontrolli seadmeid ja süsteeme võib hooldada, vahetada ja remontida iga teedevaliselt kasutatavate sõidukite mootoreid remontiv töökoda või üksikisik.** Emissioonikontrolli seadmete teeninduse tasuta saamiseks tuleb tööd lasta teha tehase volitatud edasimüüjal. Vaadake jaotist Emissioonigarantii.



## HOIATUS

**Juhuslik säde võib põhjustada põlengu või elektrišoki.**

**Juhuslik käivitus võib kaasa tuua jäsemete vahelejäämise, küljestrebimise või vigastuse.**

**Tuleoht**



### Enne seadistamist või parandamist:

- Ühendage lahti süüteküünla juhe ja hoidke seda süüteküünlast eemal.
- Ühendage lahti aku miinusklenn (ainult elektrikäivitiga mootorite puhul).
- Kasutage ainult õigeid tööriistu.
- Ärge püüdke gaasihoova vedru, ühendusülili või mõne muu detaili kallal nokitsemisega suurendada mootori pöördeid.
- Varuosad peavad olema sama kujuga ja paigaldatud samas asendis kui originaaldetailid. Muud varuosad ei pruugi niisama hästi toimida ning võivad kahjustada seadet ja põhjustada vigastusi.
- Ärge lõige hooratust haamri või muu kõva esemega, sest see võib põhjustada hooratta hilisema purunemise töö käigus.

### Sädeme kontrollimisel:

- Kasutage heakskiidetud süüteküünlastestrit.
- Ärge kontrollige sädet, kui süüteküünal on eemaldatud.

## Hooldustabel

### Iga 8 tunni järel või iga päev

- Kontrollige mootori õlitaset
- Puhastage summuti ja juhtseadmete ümbrus

### Iga 100 töötunni järel või kord aastas

- Puhastage või vahetage õhufilter \*
- Puhastage eelpuhasti (selle olemasolul) \*
- Vahetage mootoriõli ja filter
- Vahetage välja süüteküünal
- Kontrollige summutit ja sädemepüüdurit

### Iga 250 töötunni järel või kord aastas

- Kontrollige klapiõtku. Vajadusel reguleerige.

### Iga 400 töötunni järel või kord aastas

- Vahetage õhufilter
- Vahetage kütusefilter
- Puhastage õhkjahutussüsteemi \*
- Puhastage õliradiaatori ribid \*

\* Tolmustes tingimustes või kergesti lenduva prügi korral puhastage sagedamini.

## Karburaatori ja mootori pöörlemissageduse reguleerimine

Ärge reguleerige karburaatorit ega mootori pöörlemissagedust. Karburaator on tehases reguleeritud töötama tõhusalt enamikus tingimustest. Ärge kohandage vedrut, hoovastikku ega muid detaile mootori pöörlemissageduse reguleerimiseks. Vajaduse korral pöörduge Briggs & Strattoni volitatud teenindusse.

**MÄRKUS** Seadme tootja on määranud seadmele paigaldatud mootori maksimaalse pöörlemissageduse. **Ärge ületage** seda pöörlemissagedust. Kui te ei tea, milline on mootori maksimaalne või tehases reguleeritud pöörlemissagedus, pöörduge Briggs & Strattoni volitatud teenindusse. Seadme turvaliseks ja nõuetekohaseks kasutamiseks tohib mootori pöörlemissagedust reguleerida ainult vastava väljaõppega tehnik.

## Kuidas vahetada süüteküünalt - joonis 5

Kontrollige sädevahemikku (A, joonis 5) kalibri (B). Vajadusel reguleerige vahemikku. Paigaldage süüteküünal ja pingutage nõutud jõumomendini. Sädevahemiku ja jõumomendi kohta saate teavet peatükist **Tehnilised andmed**.

**Märkus:** Mõnedes piirkondades nõutakse süüteimpulssi summutava takistiga süüteküünla kasutamist. Kui Teie mootor oli algselt varustatud takistiga süüteküünlaga, kasutage sarnast süüteküünalt ka edaspidi.

## Kontrollige summutit ja sädemepüüdurit - *joonis 6*



### HOIATUS



Töötavast mootorist eraldub soojust. Mootori osad, eelkõige summuti, võivad olla väga kuumad.

Nende puudutamine võib kaasa tuua raskeid põletushaavu.



Põlevad jäägid, näiteks puulehed, rohulibled, kõrred jms võivad süttida.

- Laske summutil, mootorisilindril ja ribidel enne puudutamist jahtuda.
- Eemaldage summuti ja silindri piirkonnast sinna kogunenud praht.
- Mootori kasutamine või sellega töötamine metsa, rohu või põõsastega kaetud hooldamata alal on vastuolus California keskkonnakoodeksi peatükiga 4442, v.a juhul, kui väljalaskesüsteem on varustatud töökorras sädemepüüduriga, nagu sätestatud peatükis 4442. Teistes osariikides või föderaalaladel võivad kehtida sarnased seadused. Võtke ühendust seadme tootja, jaemüüja või edasimüüjaga, et hankida sädemepüüdur, mis vastab Teie mootori väljalaskesüsteemile.

Eemaldage summuti ja silindri ümbrusest sinna kogunenud prügi. Kontrollige summutit (A, joonis 6) pragude, rooste või muude kahjustuste suhtes. Eemaldage sädemepüüdur (B), kui see on olemas, ja veenduge, et sellel poleks kahjustusi ega tahmaummistusi. Kahjustuste avastamisel paigaldage enne kasutamist varuosad.



**HOIATUS:** Varuosad peavad olema sama kujuga ja paigaldatud samas asendis kui originaaldetailid. Muud varuosad ei pruugi niisama hästi toimida ning võivad kahjustada seadet ja põhjustada vigastusi.

## Kuidas vahetada õli - *joonis 7 8 9 10*

Kasutatud õli on ohtlik jääkprodukt ning seda tuleb õigesti käidelda. Ärge valage olmeheitmete hulka. Pöörduge jäätmekäitlus/ettevõtte leidmiseks kohaliku omavalitsuse, teeninduskeskuse või edasimüüja poole.

### Õlist tühendamise

1. Kui mootor on välja lülitatud, ent ikka veel soe, eemaldage süüteküünla juhe (A) ja hoidke seda süüteküünlast eemal (joonis 7).
2. Eemaldage õli väljavooluava kork (B, joonis 8). Laske õlil voolata sobivas mahutisse.
3. Kui õli on välja voolanud, asetage väljutusava kork tagasi ja keerake kinni.

### Õlifiltri vahetamine (selle olemasolul)

Õlifilter on teatud mudelitel. Vahetamissagedusi vt *hoolduskaardiit*.

1. Laske õlil mootorist välja voolata. Vt lõiku *Õli eemaldamine*.
2. Eemaldage õlifilter (C) ja käideldge see õigesti. Vt joonis 9.
3. Enne uue õlifiltri paigaldamist niisutage õlifiltri tihendit kergelt uue puhta õliga.
4. Paigaldage õlifilter käsitsi, kuni tihend puutub õlifiltri adapterit, seejärel keerake õlifiltrit veel 1/2 kuni 3/4 pööret kinni.
5. Lisage õli. Vt lõiku *Lisage õli*.
6. Käivitage mootor ja laske sellel töötada. Mootori soojenedes kontrollige seda õlilekete suhtes.
7. Peatage mootor ja kontrollige õlitaset. Õli peaks ulatuma õlivardal oleva märke FULL (F) ülemise otsani (joonis 10).

### Lisage õli

- Seadke mootor horisontaalseks
- Puhastage õlitäiteava ümbrus prahtist.
- Vt peatükki *Tehnilised andmed* õlikoguse määramiseks.

1. Eemaldage õlivarras (D) ja pühkige seda puhta lapiga (joonis 10).
2. Kallake õli aeglaselt mootori õlitäiteavasse (E). **Ärge kallake liiga palju.** Pärast õli lisamist oodake üks minut ja kontrollige siis õlitaset.
3. Pange õlivarras tagasi ja keerake kinni.
4. Eemaldage õlivarras ja kontrollige õlitaset. Õli peaks ulatuma õlivardal oleva märke FULL (F) ülemise otsani.
5. Pange õlivarras tagasi ja keerake kinni.

## Kuidas hooldada õhufiltrit - *joonis 11*



### HOIATUS



Bensiin ja selle aurud on väga tule- ja plahvatusohtlikud.



Süttimine või plahvatus võib põhjustada raskeid põletushaavu või surma.

- Ärge käivitage mootorit, kui õhupuhasti või õhufilter (nende olemasolul) on eemaldatud.

**HOIATUS:** Ärge kasutage filtri puhastamiseks suruõhku ega lahusteid. Suruõhk võib filtrit vigastada, lahustid lagundavad selle.

Nende hooldamiseks vt *Hoolduskaarti*.

1. Avage sulgurid (A) ja eemaldage kaas (B). Vt joonis 11.
2. Eemaldage mutter (D) ja hoidik (E).
3. Eemaldage õhufilter (F).
4. Eemaldage õhufiltrist eelpuhasti (G) (selle olemasolul).
5. Mustuse kõrvaldamiseks koputage õhufiltrit kergelt vastu kõva pinda. Kui õhufilter on väga määrdunud, vahetage see välja.
6. Peske eelpuhastit vedelseebi ja veega. Laske sel õhu käes täielikult kuivada. **Ärge** õlitage eelpuhastit.
7. Ühendage kuiv eelpuhasti õhufiltriga.
8. Paigaldage õhufilter ning kinnitage hoidiku ja mutriga.
9. Paigaldage ja kinnitage kaas.

## Kuidas vahetada kütusefiltrit - *joonis 12*



### HOIATUS



Bensiin ja selle aurud on väga tule- ja plahvatusohtlikud.



Süttimine või plahvatus võib põhjustada raskeid põletushaavu või surma.

- Hoidke kütust sädemete, lahtiste leekide, gaasiseadmete süüteleekide, kuumuse ning muude süüteallikate eest.
- Kontrollige kütusetorusid, paaki, korki ja liitmikke regulaarselt pragude ja lekete suhtes. Vajadusel asendage.
- Enne kütusefiltri tagasiasetamist tühendage kütusepaak või sulgege kütuse sulgeklapp.
- Varuosad peavad olema samasugused ja need tuleb paigaldada samasse asendisse kui originaalosasid.
- Kütuse mahavoolamise korral oodake enne mootori käivitamist kütuse aurustumiseni.

1. Enne kütusefiltri tagasiasetamist (A, joonis 12) (selle olemasolul) tühendage kütusepaak või sulgege kütuse sulgeklapp. Vastasel juhul võib kütus lekkida ja põhjustada tulekahju või plahvatuset.
2. Kasutage klambrite (C) sakkide (B) kokkusurumiseks näpitsaid; seejärel libistage klambrid kütusefiltrist eemale. Keerake ja tõmmake kütusevoolikud (D) kütusefiltrist eemale.
3. Kontrollige kütusetorusid pragude ja lekete suhtes. Vajadusel vahetage välja.
4. Kasutage kütusefiltri vahetusfiltrina originaalset varufiltrit.
5. Muutke kütusetorud klambrite abil ohutuks, nagu joonisel näidatud.

**Märkus.** Tehases paigaldatud kütusepaagiga mootoritel võib olla kütusepaagi filter (E), vt joonis 3.

## Kuidas puhastada jahutussüsteemi - *joonis 13*



### HOIATUS



Töötavast mootorist eraldub soojust. Mootori osad, eelkõige summuti, võivad olla väga kuumad.



Nende puudutamine võib kaasa tuua raskeid põletushaavu.



Põlevad jäägid, näiteks puulehed, rohulibled, kõrred jms võivad süttida.

- Laske summutil, mootorisilindril ja ribidel enne puudutamist jahtuda.
- Eemaldage summuti ja silindri piirkonnast sinna kogunenud praht.

**MÄRKUS:** Ärge kasutage mootori puhastamiseks vett. Vesi võib kahjustada kütusesüsteemi. Kasutage mootori puhastamiseks harja või puhast riidetükki.

See mootor on õhkJahutusega. Mustus või praht võib õhuvoolu takistada ja mootor võib üle kuumeneda, mis omakorda tingib jõudluse vähenemist ja mootori eluea lühenemist.

Kasutage prahi eemaldamiseks sõrmekaitse (A) kljlest harja või kuuma lappi. Hoidke ühendused, vedrud ja juhtseadmed (B) puhtad. Hoidke summuti ümbrus ja tagune (C) puhas kergestisüttivaist jäätmeist (joonis 13). Veenduge, et õiliradiaatori ribad (D) on mustusest ja prahist puhtad.

## Säilitamine



### HOIATUS

Bensiin ja selle aurud on väga tule- ja plahvatusohtlikud.  
Süttimine või plahvatus võib põhjustada raskeid põletushaavu või surma.

#### Kütuse või paagis oleva kütusega seadmete hoiustamisel

- Ärge hoidke seadet kamina, ahju, veeboileri või muude süüteleegiga seadmete või süttimisallikate läheduses, sest need võivad süüdata kütuseaurud.

## Kütusesüsteem

Kütus võib rikneda, kui seda säilitada üle 30 päeva. Riknenud kütus tekitab

kütusesüsteemi ja karburaatori detailidele happe- ja vaigusadestisi. Kütuse värskena hoidmiseks kasutage **Briggs & Stratton Advanced Formula kütusestabilisaatorit**, mis on saadaval kõikides Briggs & Strattoni esinduskauplustes.

Kui vastavalt juhistele on lisatud kütusestabilisaatorit, siis ei ole vaja bensiini mootorist välja lasta. Enne hoiulepanekut laske mootoril töötada 2 minutit, et stabilisaator ringleks läbi kütusesüsteemi.

Kui mootoris olevat kütust ei ole stabilisaatoriga töödeldud, tuleb kütus väljutada sobivasse anumasse. Laske mootoril töötada, kuni see kütuse puudumisel seiskub. Säilitusanumas on soovitatav kasutada stabilisaatorit, et kütus värskena püsiks.

## Mootoriõli

Vahetage mootoriõli siis, kui mootor on veel soe.

## Tõrgete kõrvaldamine

Vajate abi? Külastage kodulehte **VanguardEngines.com** või helistage **1-800-999-9333** (USA-s).

# Tehnilised andmed

Mootori tehnilised andmed	
Mudel	290000
Töömaht	479 cm <sup>3</sup>
Õõs	68 mm
Käigu pikkus	66 mm
Õli maht	1,36 - 1,42 l

Mootori tehnilised andmed	
Mudel	300000
Töömaht	479 cm <sup>3</sup>
Õõs	68 mm
Käigu pikkus	66 mm
Õli maht	1,36 - 1,42 l

Mootori tehnilised andmed	
Mudel	350000
Töömaht	570 cm <sup>3</sup>
Õõs	72 mm
Käigu pikkus	70 mm
Õli maht	1,36 - 1,42 l

Mootori tehnilised andmed	
Mudel	380000
Töömaht	627 cm <sup>3</sup>
Õõs	75,5 mm
Käigu pikkus	70 mm
Õli maht	1,36 - 1,42 l

Seadistuse tehnilised andmed *	
Mudel	290000, 300000
Süüteküünla elektrodide vahe	0,76 mm
Süüteküünla jõumoment	20 Nm
Süütemagneeto õhupilu	0,20 - 0,30 mm
Sisselaskeklapi vahe	0,10 - 0,15 mm
Väljalaskeklapi vahe	0,10 - 0,15 mm

Seadistuse tehnilised andmed *	
Mudel	350000, 380000
Süüteküünla elektrodide vahe	0,76 mm
Süüteküünla jõumoment	20 Nm
Süütemagneeto õhupilu	0,20 - 0,30 mm
Sisselaskeklapi vahe	0,10 - 0,15 mm
Väljalaskeklapi vahe	0,10 - 0,15 mm

\* Mootori võimsus väheneb 3,5% iga 300 meetri kohta üle merepinna ja 1% iga 5,6° C kohta üle 25° C. Mootor töötab rahuldavalt nurga all kuni 15°. Ohutute kasutuspiiride leidmiseks kallakute jaoks vt seadme kasutusjuhendit.

## Tavalised varuosad

Varuosa	Varuosa number
Õhufilter - v.a mudel: 358700, 380000	394018
Õhufilter - mudel: 358700, 380000	692519
Õhufiltri eelpuhasti - v.a mudel: 358700, 380000	272490
Õhufiltri eelpuhasti - mudel: 358700, 380000	692520
Õli - SAE 30	100028
Õlifilter - 6 cm pikk	492932
Õlifilter - 9 cm pikk	491056

Varuosa	Varuosa number
Kütusefilter - kütusepaagiga	808116
Kütusefilter - kütusepumbaga	691035
Kütusefilter - ilma kütusepumbata	298090
Advanced Formula kütusestabilisaator	100117, 100120
Takistiga süüteküünal	491055
Pikaealine plaatina-süüteküünal	5066
Süüteküünla võti	19374
Süütestester	19368

✓ Soovitame mootori ja mootori osade hoolduseks pöörduda Briggs & Stratton'i volitatud edasimüüja poole.

### PIIRATUD GARANTII

Briggs & Stratton garanteerib, et parandab või asendab allpool nimetatud garantiiaja kestel tasuta mis tahes osad, millel on materjali- või tootmisviga või mõlemad. Parandamiseks või asendamiseks saadetud toote transpordikulud tasub ostja. See garantii kehtib allpool nimetatud ajaperioodil ja tingimustel. Garantiiteeninduse saamiseks pöörduge oma lähima volitatud esinduse poole, kelle leiate kaardiit aadressil BRIGGSandSTRATTON.COM. Ostja peab võtma ühendust volitatud esindusega ning andma toote volitatud esinduse käsutusse ülevaatuseks ja testimiseks.

**Igasugused muud selgelt väljendatud garantiid puuduvad. Sõnaliselt väljendamatat garantiid, kaasa arvatud turustatavust ja konkreetseks otstarbeks sobivust puudutavat, on piiratud allpool nimetatud garantiiperioodiga või seadusega lubatud ulatuses ning kõik sõnaliselt väljendamatat garantiid on välistatud. Vastutus juhuslike või tulenevate kahjude eest on välistatud niivõrd, kui seda lubab seadus. Mõned riigid ja maad ei luba sõnaliselt väljendamatat garantiid kestust piirata ning mõned riigid ja maad ei luba välistada vastutust juhuslike või tulenevate kahjude eest. Sellisel juhul ei pruugi ülaltoodud piirangud ja välistused teie puhul kehtida. See garantii annab Teile teatud seaduslikud õigused, kuid Teil võivad olla ka teised õigused, mis riigiti erinevad.\*\***

### ÜLDISED GARANTIINGIMUSED \* ▲

Kaubamärk/Toote tüüp	Erakasutus	Kommerts-kasutus
Vanguard™ ■	3 aastat	3 aastat
Commercial Turf mudeliseeria™	2 aastat	2 aastat
Mootoritel Dura-Bore™ malmist muhviga	2 aastat	1 aasta
Kõik teised Briggs & Stratton'i mootorid	2 aastat	90 päeva

\* Need on meie üldised garantiitingimused, kuid vahel võivad lisanduda täiendavad garantiid, mis ei olnud juhendi ilmumise ajal määratletud. Mootori garantiitingimuste nimekirja leiate veebilehelt BRIGGSandSTRATTON.COM või pöördudes Briggs & Strattoni volitatud esindusse.

\*\* Austraalia - meie toodetele antakse garantii, mida ei ole Austraalia tarbijaõiguse järgi võimalik tühistada. Suurema rikke puhul on teil õigus saada asendustoodet või raha tagasi ning muu mõistlikkuse piires ettenähtava kahju puhul kompensatsiooni. Samuti on teil õigus lasta toode parandada või see välja vahetada juhul, kui see ei ole piisavalt kvaliteetne ja rike ei ole suur. Garantiiteeninduse jaoks pöörduge lähima volitatud esinduse poole, kelle leiate kaardiit aadressil BRIGGSandSTRATTON.COM, või helistades numbrile 1300 274 447, või saates e-kirja või tavakirja aadressil salesenquiries@briggsandstratton.com.au, Briggs & Stratton Australia Pty Ltd, 1 Moorebank Avenue, Moorebank, NSW, Australia, 2170.

▲ Garantii ei kehti mootoritele, mida kasutatakse seadmetel, mis tarbivad kasutuskoahas primaarenergiat, ega tagavarageneraatoritele, mida tarvitatakse kommertseesmärkidel. Garantii alla ei kuulu mootorid, mida kasutatakse võidusõitudel või kaubandus- või rentimisotstarbel.

■ Varugeneraatoritele paigaldatud Vanguard: 2 aastat tarbijagarantiid, ärikasutuse garantii puudub. Tarbesõidukitele paigaldatud Vanguard: 2 aastat tarbijagarantiid, 2 aastat ärikasutuse garantiid. Kolmesilindriline vedelikjahutusega Vanguard: vt Briggs & Stratton 3/LC mootori omaniku garantiikirja.

Garantiiperiood algab jaetarbija või kommertslopparbija sooritatud esimese ostu kuupäevast ja kestab ülaltoodud tabelis märgitud perioodi jooksul. "Erakasutus" tähendab jaetarbija isiklikku elukondlikku kasutust. "Kommertskasutus" tähendab kõiki muid kasutusi, kaasa arvatud kasutamine kommerts-, sissetulekut toovaks või rendiotstarbeks. Kui mootorit on kasutatud kommertsotstarbel, käsitletakse seda käesoleva garantiid osas kommertskasutuses oleva mootorina.

**Säilitage ostutšekk. Kui teil puudub tõend ostukuupäeva kohta, siis kasutatakse garantiiteenuste osutamisel garantiiperioodi määramiseks toote valmistamiskuupäeva. Briggs & Stratton toodete garantiiteenuste taotlemiseks ei ole nõutav toote registreerimine.**

### Teie garantiist

See piiratud garantii katab mootoriga seotud materjali- ja/või töökulud, kuid mitte mootoriga ühendatud seadmete väljavahetamise või hüvitamise kulud. Selle garantiid alla ei kuulu tavapärased hooldus-, häälestus-, kohandustööd või harilik kulumine. Samuti ei kehti garantii juhul, kui mootorit on muudetud või modifitseeritud või kui mootori seerianumbril on moonutatud või see on eemaldatud. See garantii ei kata kasutatud, taastatud, esitlustel kasutatavaid seadmeid või mootoreid. Selle garantiid alla ei kuulu mootorikahjustused või jõudlusprobleemid, mis on põhjustatud:

- 1 varuosade kasutamisest, mis ei ole originaalsed Briggs & Strattoni varuosad;
- 2 mootori kasutamisest õliga, mida on lisatud ebapiisavas koguses või mis on mustunud või vale kvaliteediklassiga;
- 3 mustunud või vana kütuse kasutamisest, bensiini kasutamisest, mis sisaldab üle 10% etanooli, või muude kütuste kasutamisest (nt vedelgaas või maagaas) mootoritel, mis pole Briggs & Strattoni poolt konstrueeritud/toodetud tööks selliste kütustega;
- 4 mustusest, mis on mootorisse sattunud õhupuhasi ebaõige hoolduse või mootori uuesti kokkupaneku tõttu;

- 5 muruniiduki lõiketeraga objekti tabamisest, terakohandajate, tiivikute või teiste väntvõllile ühendatud seadiste ebaõigest paigaldusest, kiilrihma liigest pingusest;
- 6 muude kui Briggs & Strattoni pakutavate abiosade või sõlmede, nt sidurite, jõulekannete, seadmekontrollerite jne kasutamisest.
- 7 ülekuumenemisest niidetud muru, mustuse, kiviprügi või näriliste pesade sattumise tõttu jahutusribidesse või hooratta alasse või mootori kasutamisest piisava ventilatsioonita;
- 8 ülemäärases vibratsioonist, mis on tingitud liigest kiirusest, mootori lahtisest paigaldusest, lahtistest või tasakaalustamata lõiketeradest või tiivikutest, või seadmeosade ebaõigest ühendamisest väntvõllile;
- 9 valekasutusest, regulaarse hoolduse puudumisest, tarnimisest, käsitsemisest, seadmete ladustamisest või mootori ebaõigest paigaldamisest.

**Garantiiteenindust saab ainult Briggs & Stratton Corporation'i volitatud edasimüüjailt. Oma lähima volitatud edasimüüja leiate meie otsingusüsteemist veebiaadressil BRIGGSandSTRATTON.COM või helistades numbril 1-800-233-3723 (USA-s).**

## OPĆI PODACI

Ovaj priručnik sadrži sigurnosne obavijesti koje vas moraju učiniti svjesnima opasnosti vezanih uz motore i uz načine izbjegavanja tih opasnosti. Ovdje se također nalaze upute o tome kako na pravilan način koristiti i održavati motor. Budući da Briggs & Stratton ne mora znati koji stroj će se pogoniti ovim motorom, važno je da pročitate i shvatite ove upute i upute koje se odnose na stroj koji će biti pogonjen ovim motorom. **Spremite ove originalne upute radi budućih potreba.**

Radi zamjenskih dijelova ili tehničke pomoći, zapišite dolje model motora, vrstu i kodne brojeve zajedno s datumom kupnje. Ovi brojevi se nalaze na vašem motoru (pogledajte stranicu **Funkcije i upravljanje**).

**Datum kupnje:** \_\_\_\_\_  
MM/DD/YYYY

**Model motora:** \_\_\_\_\_  
Model Vrsta: Kod:

**Podaci o snazi:** Bruto snaga pojedinih modela benzinskih motora navedena je na pločici u skladu s SAE kodeksom (Society of Automotive Engineers) J1940 Postupak određivanja snage i momenta na malim motorima i dobivene su i ispravljene u skladu sa SAE J1995. Vrijednosti momenta izmjerene su uz 2600 o/min za motore čija se brzina vrtne nalazi naljepnici i 3060 o/min za druge; snaga se mjeri pri brzini od 3600 o/min. Krivulje bruto snage mogu se pogledati na [www.BRIGGSandSTRATTON.COM](http://www.BRIGGSandSTRATTON.COM). Neto vrijednosti snage dobivene su s montiranima ispušnim sustavom i zračnim filtrom, a vrijednosti o bruto snazi dobivene su bez tih nastavaka. Vrijednosti o stvarnoj snazi bit će više od neto snage motora. Stvarna bruto snaga motora može biti manja i na nju utječu, između ostalog radni uvjeti okoline i različitosti od motora do motora. S obzirom na široki spektar uređaja na kojima su ugrađeni naši motori i raznolikosti pravila za zaštitu okoliša koja se primjenjuju pri radu u uređajem, benzinski motor neće razviti nazivnu bruto snagu kad se bude koristio na određenom radnom stroju (stvarna "terenska" ili neto snaga stroja). Ova razlika nastaje zbog raznolikosti utjecajnih faktora koji uključuju dijelove motora i komponente, ali ne samo njih, (zračni filter, ispuh, punjenje, hlađenje, rasplinjač, pumpe za gorivo, itd.), ograničenja primjene, radni uvjeti okoline (temperatura, vlažnost, nadmorska visina), i razlike od motora do motora. Zbog ograničenja u proizvodnji i kapacitetima, Briggs & Stratton može izvršiti zamjenu nekog motora više nazivne snage motorom iz ove serije

## Sigurnost operatora

### SIMBOLI ZA SIGURNOST I UPRAVLJANJE



Požar



Pokretni dijelovi



Ulje



Otrovne pare



Sporo



Brzo



Stop



Eksplוזija



Udar



Gorivo



Čok



Uključeno  
Isključeno



Prekidanje  
dovoda goriva



Povratni  
udarac



Koristite zaštitne  
naočale



Opasne kemikalije




Pročitajte upute



Vruća površina



Ozeblina

Znak za upozorenje u vezi sa sigurnošću  koristi se označavanje obavijesti o sigurnosti u vezi s opasnostima koje mogu dovesti do ozljeđivanja osoba. Riječ tumačenja (OPASNOST, UPOZORENJE ili OPREZ) koristi se zajedno sa simbolom upozorenja da bi ukazala na mogućnost i potencijalnu ozbiljnost ozljeđe. Uz to, simbol opasnosti može se koristiti da bi ukazao na vrstu opasnosti.



**OPASNOST** ukazuje na rizik koji će, ako se ne izbjegne, dovesti do smrti ili ozbiljne ozljeđe.



**UPOZORENJE** ukazuje na rizik koji, ako se ne izbjegne, može prouzročiti smrt ili ozbiljnu ozljeđu.



**OPREZ** ukazuje na rizik koji, ako se ne izbjegne, može dovesti do lakše ili teže ozljeđe.

**OBAVIJEST** Označava situaciju koja bi mogla rezultirati oštećenjem proizvoda.



### UPOZORENJE

Određeni sastavni dijelovi u ovom proizvodu i njegova prateća oprema sadrže kemikalije za koje je poznato u državi Kaliforniji da kako izazivaju rak, deformacije pri rođenju i druga reproduktivna oštećenja. Operite ruke nakon rukovanja.



### UPOZORENJE

Ispušni plinovi ovog proizvoda sadrže kemikalije poznate državi Kaliforniji kao izazivači raka, defekata kod rođenja ili drugih reproduktivnih oštećenja.



### UPOZORENJE

Motori Briggs & Stratton nisu predviđeni za pogon: zabavnih vozila; go-kart vozila; dječjih rekreacijskih ili sportskih terenskih vozila (ATV-a); motocikla; lebdilica; letjelica ili vozila koja se koriste na natjecanjima koja nije odobrio Briggs & Stratton. Pojedini o natjecateljskim proizvodima potražite na [www.briggsracing.com](http://www.briggsracing.com). U vezi korištenja pomoćnih i lakih terenskih vozila kontaktirajte središte za primjenu motora Briggs & Stratton, 1-866-927-3349. Neprikladna primjena motora može dovesti do ozbiljne ozljeđe ili pogibije.

**OBAVIJEST:** Ovaj motor je iz tvrtke Briggs & Stratton isporučen bez ulja. Prije nego pokrenete motor, pobrinite se da dolijete ulje u skladu s uputama. Ako motor pokrenete bez ulja, doći će do njegova oštećenja preko granice mogućeg popravka i to nije obuhvaćeno jamstvom.



## UPOZORENJE



Gorivo i njegove pare izuzetno su zapaljivi i eksplozivni. Požar ili eksplozija mogu izazvati ozbiljne opekline ili smrt.

### Prilikom dolijevanja goriva

- Ugasite motor i pustite da se hladi bar 2 minute prije skidanja čepa goriva.
- Puniti spremnik goriva na otvorenom ili u dobro ventiliranom prostoru.
- Nemojte prepuniti spremnik gorivom.. Da omogućite širenje goriva, nemojte ga puniti dalje od dna grla spremnika goriva.
- Benzin držite podalje od iskrenja, otvorenog plamena, inicijalizacijskih plamičaka, vrućine i drugih izvora zapaljenja.
- Provjeravajte češće da na vodovima goriva, spremniku, poklopcu i spojevima nema napuknuća ili curenja. Zamijenite po potrebi.
- Ako se gorivo prolje, pričekajte dok ne ishlapi prije pokretanja motora.

### Pri pokretanju motora

- Pazite na to da svječica, prigušivač, čep goriva i pročistač zraka (ako je ugrađen) budu na svome mjestu i učvršćeni.
- Nemojte kurlati motor sa skinutom svjećicom.
- Ako dođe do zalijevanja motora gorivom, postavite čok (ako postoji) u položaj OPEN/RUN, pomaknite gas (ako postoji) u položaj FAST i pokrećite sve dok motor ne upali.

### Pri radu s uređajem

- Nemojte naginjati motor ili uređaj pod kutom pod kojim se gorivo može izliti.
- Nemojte čokom gušiti motor da ga zaustavite.
- Nikad nemojte pokretati motor ako su sklop pročistača (ako je ugrađen) ili zračni filter (ako je ugrađen) skinuti.

### Pri zamjeni ulja

- Ako ulje ispuštate kroz gornju cijev za nalijevanje ulja, spremnik s gorivom mora biti prazan ili bi gorivo moglo istjecati te dovesti do požara ili eksplozije.

### Prilikom naginjanja uređaja radi održavanja

- Prilikom radova na održavanju za koje je potrebno nagibanje uređaja, spremnik s gorivom mora biti prazan jer će u protivnom istjecati gorivo što može dovesti do požara ili eksplozije.

### Kod prijevoza opreme

- Prijevoz vršite s PRAZNIH spremnikom ili s ventilom za dovod goriva u položaju OFF.

### Pri uskladištenju goriva ili uređaja s gorivom u spremniku

- Pohranite daleko od peći, kuhala, grijača vode ili drugih uređaja koji imaju inicijalizacijske plamičke ili druge izvore paljenja jer oni mogu zapaliti pare goriva.



## UPOZORENJE



Pokretanje motora uzrokuje iskrenje. Iskrenje može upaliti obližnje zapaljive plinove. Može doći do eksplozije i požara.

- Ako u blizini ističe prirodni ili LP plin, nemojte pokretati motor.
- Nemojte koristiti pokretačke tekućine u spreju jer su pare zapaljive.



## UPOZORENJE



**OPASNOST OD OTROVNIH PLINOVA.** Ispušni plinovi motora sadrže otrovni ugljični monoksid, otrovni plin koji vas može usmrtniti za nekoliko minuta. On je BEZ boje, mirisa i okusa. Čak i ako ne udišete ispušne plinove, ipak možete biti izloženi ugljičnom monoksidu. Ako za vrijeme korištenja ovog proizvoda osjetite mučninu, vrtoglavica ili slabost, ugascite ga i BEZ ODLAGANJA izađite na svježi zrak. Potražite pomoć liječnika. Možda ste udahnuili ugljični monoksid.

- Ovaj proizvod koristite ISKLJUČIVO na velikoj udaljenosti od prozora, vrata i ventilacijskih otvora jer time ćete smanjiti opasnost od nakupljanja ugljičnog monoksida i mogućnosti da dođe do njegovog uvlačenja u prostor u kojemu borave ljudi.
- Montirajte alarmne uređaje za ugljični monoksid s baterijskim napajanjem ili ukopčajte alarmne uređaje za ugljični monoksid s rezervnim baterijskim napajanjem u sukladnosti s uputama proizvođača. Detektori dima ne mogu otkriti prisutnost ugljičnog monoksida.
- NEMOJTE koristiti ove proizvode u kući, garaži, podrumu, niskom podrumu, skloništu ili drugom djelomično zatvorenom prostoru čak ni ako koristite ventilatore, prozore ili vrata za provjetranje prostora. Ugljični monoksid može se brzo nakupiti u takvim prostorima i tamo se zadržati satima, čak i nakon gašenja proizvoda.
- Ovaj proizvod UVIJEK postavite niz vjetar i ispuh usmjerite izvan mjesta u kojemu borave ljudi.



## UPOZORENJE



Brzo vraćanje konopca za pokretanje (povratni udarac) povući će šaku i ruku prema motoru brže no što ga možete ispustiti.

Može doći do loma kostiju, fraktura, modrica ili iščašenja.

- Pri pokretanju motora, uže pokretača okrećite polagano sve dok ne osjetite otpor, zatim ga povucite naglo da izbjegnute povratni udarac.
- Odvojite sve vanjske dijelove opreme/opterećenja motora prije pokretanja.
- Izravno spojeni dijelovi uređaja poput, ali ne isključivo, noževa, krilaca, remenica, lančanika itd. moraju biti dobro pričvršćeni



## UPOZORENJE



Dijelovi koji se vrte mogu dotaknuti ili zahvatiti ruke, noge, kosu, odjeću ili pomagala.

Može doći do traumatske amputacije ili teškog ranjavanja.

- Radite s opremom čiji štitnici su na svom mjestu.
- Ruke i noge držite dalje od dijelova koji se okreću.
- Vežite dugačku kosu i skinite nakit.
- Nemojte nositi široku odjeću, slobodne vezice ili nešto što se može zaplesti.



## UPOZORENJE



Rad motora proizvodi toplinu. Dijelovi motora, naročito prigušivač, izuzetno se zagrijavaju.

Teške opekline mogu nastati pri dodiru.



Zapaljivi otpad poput lišća, trave, grmlja itd. može se upaliti.

- Pustite da se prigušivač, cilindri motora i krila ohlade prije dodirivanja.
- Odstranite nakupine nečistoće iz okoline prigušivača i cilindra.
- Upotreba motora na pošumljenom terenu, terenu punom žbunja ili nikog raslinja i trave ako ispušni sustav nije opremljen hvatačem iskre, kako je to definirano u odjeljku 4442, koji se održava u ispravnom stanju, predstavlja kršenje kodeksa o javnim resursima Kalifornije, odjeljak 4442. Druge države ili federalne jedinice mogu imati slične zakone. Kontaktirajte proizvođača originalne opreme, prodavača ili predstavnika radi nabavke hvatača iskre koji je predviđen za ispušni sustav koji je postavljen na motoru.



## UPOZORENJE



Nenamjerno iskrenje može dovesti do požara ili strujnog udara.

Nenamjerno pokretanje može dovesti do zapetljanja, traumatske amputacije ili ranjavanja.

Opasnost od požara



### Prije podešavanja ili popravljavanja:

- Odvojite kabel svjećice i držite ga podalje od svjećice.
- Odvojite bateriju na negativnom polu (samo za motore s električnim paljenjem).
- Koristite samo ispravne alate.
- Nemojte dirati opruge regulatora, veze ili druge dijelove radi povećavanja brzine motora.
- Zamjenski dijelovi moraju biti jednake izvedbe i moraju se ugraditi u istom položaju kao i originalni dijelovi. Drugi dijelovi neće raditi kako treba i mogu oštetiti jedinicu te dovesti do ozljede.
- Nemojte udarati po zamašnjaku čekićem ili tvrdim predmetima jer će to kasnije dovesti do vibracija zamašnjaka.

### Kad provjeravate ima li iskre:

- Koristite odobreni ispitivač svjećica.
- Nemojte provjeravati iskrnu dok je svjećica skinuta.

# Funkcije i upravljanje

Usporedite sliku **1** s vašim motorom kako biste se upoznali s položajem različitih funkcija i upravljanja.

- A. Prepoznavanje motora  
**Kod vrste modela**
- B. Svjećica
- C. Pročistač zraka
- D. Mjerna šipka ulja/Otvor za nalijevanje ulja
- E. Filtar ulja (dodatak)
- F. Čep za ispuštanje ulja
- G. Senzor tlaka ulja
- H. Štitnik za prste
- I. Elektropokretač
- J. Ručni pokretač (dodatak)
- K. Rasplinjač
- L. Ispušna grana
- M. Pumpa za gorivo
- N. Filtar za gorivo (dodatak)
- O. Hladnjak ulja (dodatak)
- P. Prigušivač (dodatak)

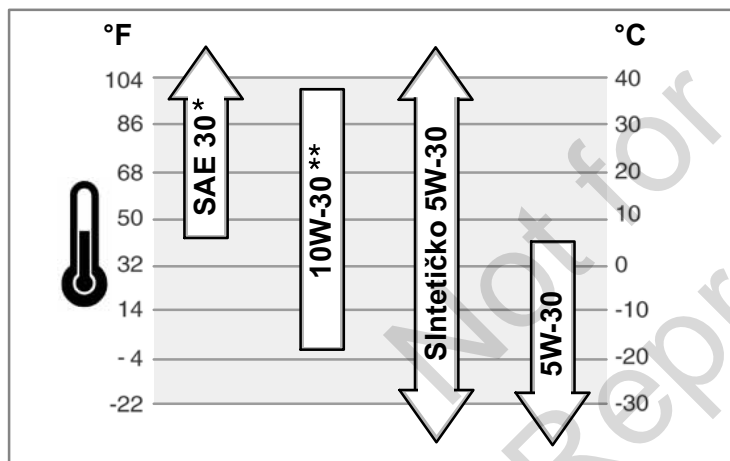
## Rad

Kapacitet ulja (pogledajte odjeljak **Tehnički podaci**)

### Preporuke u vezi s uljem

Preporučujemo upotrebu certificiranih ulja s jamstvom Briggs & Stratton za najbolji rad. Ostala visokokvalitetna deterdžentska ulja su prihvatljiva ako su razvrstana za rad SF, SG, SH, SJ ili više. Nemojte koristiti posebne aditive.

Vanjska temperatura određuje pravilni stupanj viskoziteta za motor. Pomoću tablice izaberite najbolji viskozitet za očekivani opseg vanjske temperature.



\* Ispod 40°F (4°C) upotreba ulja SAE 30 će izazvati teškoće s pokretanjem.

\*\* Iznad 80°F (27°C) upotreba 10W-30 može dovesti do povećane potrošnje ulja. Razinu ulja provjeravajte češće.

### Kako provjeriti/Dopuniti ulje - slika 2

Prije provjere ili dolijevanja ulja

- Motor postavite u vodoravni položaj.
- Iz područja za uljevanje ulja očistite sve nečistoće.
- 1. Izvadite mjernu šipku (A) i obrišite je čistom krpom (slika 2).
- 2. Umetnite mjernu šipku do kraja.
- 3. Izvadite mjernu šipku i provjerite razinu ulja. Ona mora biti do oznake full (B) na mjernoj šipki.
- 4. Ako je razina preniska, polako dolijevajte ulje u otvor za nalijevanje ulja (C). **Nemojte prepuniti.** Nakon dolijevanja ulja pričekajte jednu minutu i opet provjerite razinu ulja.
- 5. Umetnite mjernu šipku do kraja.

### Sustav za zaštitu od niske razine ulja (ako je ugrađen)

Neki motori opremljeni su senzorom niske razine ulja. Ako je razina ulja niska, senzor će aktivirati svjetlo upozorenja ili zaustaviti rad motora. Zaustavite rad motora i provedite sljedeći postupak prije ponovnog pokretanja motora.

- Pazite da motor bude u vodoravnom položaju.
- Provjerite razinu ulja. Pogledajte odjeljak **Kako provjeriti/Doliti ulje.**
- Ako je razina ulja niska, dolijte potrebnu količinu ulja. Pokrenite motor i provjerite da se svjetlo upozorenja (ako je ugrađeno) ne aktivira.

- Ako se razina ulja nije niska, **nemojte pokretati** motor. Kontaktirajte ovlaštenog predstavnika Briggs & Stratton kako bi ispravio problem s tlakom ulja.

### Preporuke u vezi goriva

**Gorivo mora zadovoljiti ove zahtjeve:**

- Čist, svježi bezolovni benzin.
- Najmanje 87 oktana/87 AKI (91 RON). Za primjenu na velikoj nadmorskoj visini, pogledajte dolje.
- Prihvatljiv je benzin s 10% etanola (gazohol).

**OPREZ:** Nemojte koristiti neodobrena goriva, poput E15 i E85. Nemojte miješati ulje i benzin, niti nemojte vršiti izmjene na motoru za rad na alternativnim gorivima. Upotreba neodobrenog goriva će dovesti do oštećenja dijelova motora, koji nisu obuhvaćeni jamstvom.

Radi zaštite sustava goriva od stvaranja gume, u gorivo pri ulijevanju pomiješajte stabilizator. Pogledajte **Skladištenje**. Sva goriva nisu jednaka. Ako budete imali poteškoća pri pokretanju ili u radu, promijenite dobavljača goriva ili promijenite marku goriva. Ovaj motor je certificiran za rad sa benzinom. Sustav kontrole ispuštanja za ovaj motor je EM (Engine Modifications (Izmjene na motoru)).

### Velika nadmorska visina

Na nadmorskim visinama iznad 5.000 stopa (1524 metra), potreban je benzin s najmanje 85 oktana/85 AKI (89 RON).

Na motorima s rasplinjačem potrebno je podešavanje za visoke nadmorske visine kako bi se zadržala sukladnost sa zahtjevima o sustavu za emisije. Rad motora bez ovog podešavanja dovest će do smanjenja radnih svojstava, povećane potrošnje goriva i povećanja emisija. Obratite se u ovlaštenu servis Briggs & Stratton radi podataka o podešavanju za velike nadmorske visine. Rad na nadmorskim visinama ispod 762 metara (2.500 stopa) s postavkama za visoke nadmorske visine se ne preporučuje.

Za motore s elektronički ubrizgavanjem goriva (EFI) nije potrebno podešavanje za visoke nadmorske visine.

### Kako doliti gorivo - slika 3



#### UPOZORENJE

**Gorivo i njegove pare izuzetno su zapaljivi i eksplozivni. Požar ili eksplozija mogu izazvati ozbiljne opekline ili smrt.**

#### Prilikom dolijevanja goriva

- Ugasite motor i pustite da se hladi bar 2 minute prije skidanja čepa goriva.
- Punite spremnike goriva na otvorenom ili u dobro ventiliranom prostoru.
- Nemojte prepuniti spremnik gorivom.. Da omogućite širenje goriva, nemojte ga puniti dalje od dna grla spremnika goriva.
- Benzin držite podalje od iskrenja, otvorenog plamena, inicijalizacijskih plamičaka, vrućine i drugih izvora zapaljenja.
- Provjeravajte češće da na vodovima goriva, spremniku, poklopcu i spojevima nema napuknuća ili curenja. Zamijenite po potrebi.
- Ako se gorivo prolje, pričekajte dok ne ishlapi prije pokretanja motora.

1. Iz područja za uljevanje goriva odstranite svu nečistoću. Skinite čep otvora za uljevanje goriva (A, slika 3).
2. Napunite spremnik s (B) benzinom. Da omogućite širenje benzina, nemojte ga puniti dalje od dna grla spremnika goriva (C).
3. Vratite čep otvora za uljevanje goriva.

### Kako pokrenuti motor - slika 4



#### UPOZORENJE

**Brzo vraćanje konopca za pokretanje (povratni udarac) povući će šaku i ruku prema motoru brže no što ga možete ispustiti.**

**Može doći do loma kostiju, fraktura, modrica ili iščašenja.**

- Pri pokretanju motora, uže pokretača okrećite polagano sve dok ne osjetite otpor, zatim ga povucite naglo da izbjegnute povratni udarac.



#### UPOZORENJE

**Gorivo i njegove pare izuzetno su zapaljivi i eksplozivni. Požar ili eksplozija mogu izazvati ozbiljne opekline ili smrt.**

#### Pri pokretanju motora

- Pazite na to da svjećica, prigušivač, čep goriva i pročistač zraka (ako je ugrađen) budu na svome mjestu i učvršćeni.
- Nemojte kurblati motor sa skinutom svjećicom.
- Ako dođe do zalijevanja motora gorivom, postavite čok (ako postoji) u položaj OPEN/RUN, pomaknite gas (ako postoji) u položaj FAST i pokrećite sve dok motor ne upali.



## UPOZORENJE



**OPASNOST OD OTROVNIH PLINOVA.** Ispušni plinovi motora sadrže otrovni ugljični monoksid, otrovni plin koji vas može usmrtniti za nekoliko minuta. On je BEZ boje, mirisa i okusa. Čak i ako ne udišete ispušne plinove, ipak možete biti izloženi ugljičnom monoksidu. Ako za vrijeme korištenja ovog proizvoda osjetite mučninu, vrtoglavica ili slabost, ugasisite ga i BEZ ODLAGANJA izađite na svjež zrak. Potražite pomoć liječnika. Možda ste udahnuili ugljični monoksid.

- Ovaj proizvod koristite ISKLJUČIVO na velikoj udaljenosti od prozora, vrata i ventilacijskih otvora jer time ćete smanjiti opasnost od nakupljanja ugljičnog monoksida i mogućnosti da dođe do njegovog uvlačenja u prostor u kojemu borave ljudi.
- Montirajte alarmne uređaje za ugljični monoksid s baterijskim napajanjem ili ukopčajte alarmne uređaje za ugljični monoksid s rezervnim baterijskim napajanjem u sukladnosti s uputama proizvođača. Detektori dima ne mogu otkriti prisutnost ugljičnog monoksida.
- NEMOJTE koristiti ove proizvode u kući, garaži, podrumu, niskom podrumu, skloništu ili drugom djelomično zatvorenom prostoru čak ni ako koristite ventilatore, prozore ili vrata za provjetranje prostora. Ugljični monoksid može se brzo nakupiti u takvim prostorima i tamo se zadržati satima, čak i nakon gašenja proizvoda.
- Ovaj proizvod UVIJEK postavite niz vjetar i ispuh usmjerite izvan mjesta u kojemu borave ljudi.

**OBAVIJEST:** Ovaj motor je iz tvrtke Briggs & Stratton isporučen bez ulja. Prije nego pokrenete motor, pobrinite se da dolijete ulje u skladu s uputama. Ako motor pokrenete bez ulja, doći će do njegova oštećenja preko granice mogućeg popravka i to nije obuhvaćeno jamstvom.

*Napomena:* Neki motori i oprema imaju daljinsko upravljanje. Lokaciju daljinskog upravljanja potražite u priručniku opreme.

- Provjerite razinu ulja. Pogledajte odjeljak **Kako provjeriti/Doliti ulje**.
- Uvjerite se da su regulatori uređaja, ako postoje, isključeni.
- Okrenite ventil za dovod goriva (A), ako je ugrađen, u položaj on (slika 4).
- Gurnite sklopku za zaustavljanje (F), ako je ugrađena u položaj on.
- Pomaknite regulator gasa (B) u položaj fast . Radite s motorom s regulatorom gasa položaju fast .
- Pomaknite regulator čoka (C) u položaj .

*Napomena:* Čok je obično nepotreban pri ponovnom paljenju toplog motora.

- Ručno pokretanje:** Okrenite sklopku s ključem (D), ako je ugrađen, u položaj run.
- Ručno pokretanje:** Čvrsto držite dršku uzeta pokretača (E). Konopac povlačite polagano dok ne osjetite otpor, a zatim ga povucite brzo.

*NAPOMENA:* Ako se motor ne pokrene ni nakon više pokušaja, posjetite lokalnog predstavnika ili idite na [VanguardEngines.com](http://VanguardEngines.com) or call 1-800-999-9333 (u SAD-u).



## UPOZORENJE

Brzo vraćanje konopca za pokretanje (povratni udarac) povući će šaku i ruku prema motoru brže no što ga možete ispustiti. Može doći do loma kostiju, fraktura, modrica ili iščašenja. Kad pokrećete motor, konopac povlačite polagano dok ne osjetite otpor, a zatim ga povucite brzo da izbjegnute povratni udarac.

- Električno pokretanje:** Okrenite sklopku za električno pokretanje (D) u položaj on/start.  
*NAPOMENA:* Ako se motor ne pokrene ni nakon više pokušaja, posjetite lokalnog predstavnika ili idite na [VanguardEngines.com](http://VanguardEngines.com) or call 1-800-999-9333 (u SAD-u).  
**OBAVIJEST:** Koristite kratke cikluse pokretanja (najviše pet sekundi) kako biste produžili životni vijek pokretača. Pričekajte jednu minutu između dva pokretanja.
- Kad se motor zagrije, okrenite regulator čoka (C) u položaj za rad .

## Kako zaustaviti motor - slika 4



## UPOZORENJE



**Gorivo i njegove pare izuzetno su zapaljivi i eksplozivni. Požar ili eksplozija mogu izazvati ozbiljne opekline ili smrt.**

- Nemojte čokom gušiti motor da ga zaustavite.

- Pomaknite regulator gasa (B) u položaj slow , okrenite sklopku s ključem (D) u položaj off (slika 4). Izvadite ključ i spremite ga na sigurno mjesto izvan dohvata djece.
- Gurnite sklopku za zaustavljanje (F), ako je ugrađena, u položaj off
- Kad se rad motora zaustavi, okrenite ventil za dovod goriva (A), ako je ugrađen, u zatvoreni položaj.

## Održavanje

Preporučujemo vam da se obratite ovlaštenom Briggs & Stratton servisu za održavanje i servis motora i dijelova motora.

**OBAVIJEST:** Svi sastavni dijelovi moraju biti na svom mjestu kako bi ovaj motor radio ispravno.



## UPOZORENJE

Prilikom radova na održavanju za koje je potrebno nagibanje uređaja, spremnik s gorivom mora biti prazan jer će u protivnom isjecati gorivo što može dovesti do požara ili eksplozije.

## Kontrola ispuštanja

**Održavanje, zamjenu ili popravak uređaja i sustava za kontrolu emisije može obaviti bilo koja radionica ili osoba, a koji se bave popravcima terenskih motora.** Međutim, kako biste ostvarili pravo na besplatni popravak sustava za kontrolu emisije mora obaviti tvornica ili ovlašteni distributer. Pogledajte jamstva o emisiji.



## UPOZORENJE



**Nenamjerno iskrenje može dovesti do požara ili strujnog udara. Nenamjerno pokretanje može dovesti do zapetljanja, traumatske amputacije ili ranjavanja.**



**Opasnost od požara**



## Prije podešavanja ili popravljivanja:

- Odvojite kabel svjeće i držite ga podalje od svjeće.
- Odvojite bateriju na negativnom polu (samo za motore s električnim paljenjem).
- Koristite samo ispravne alate.
- Nemojte dirati opruge regulatora, veze ili druge dijelove radi povećavanja brzine motora.
- Zamjenski dijelovi moraju biti jednake izvedbe i moraju se ugraditi u istom položaju kao i originalni dijelovi. Drugi dijelovi neće raditi kako treba i mogu oštetiti jedinicu te dovesti do ozljede.
- Nemojte udarati po zamašnjaku čekićem ili tvrdim predmetima jer će to kasnije dovesti do vibracija zamašnjaka.

## Kad provjeravate ima li iskre:

- Koristite odobreni ispitivač svjeća.
- Nemojte provjeravati iskrnu dok je svjećica skinuta.

## Tablica održavanja

### Svakih 8 sati ili jednom dnevno

- Provjerite razinu ulja u motoru
- Očistite područje oko prigušivača i regulatora

### Svakih 100 sati ili jednom godišnje

- Očistite ili zamijenite zračni filter \*
- Očistite predfilter (ako je ugrađen) \*
- Zamijenite motorno ulje i filter
- Zamijenite svjećicu
- Pregledajte prigušivač i hvatač iskre

### Svakih 250 sati ili jednom godišnje

- Provjerite zazor ventila. Prema potrebi ga podesite.

### Svakih 400 sati ili jednom godišnje

- Zamijenite zračni filter
- Zamijenite filter za gorivo
- Očistite sustav za hlađenje motora \*
- Očistite rebra hladnjaka za ulje \*

\* U prašnjavim uvjetima ili ako u zraku ima nečistoća, čišćenje izvršite češće.

## Rasplinjač i podešavanje brzine vrtnje motora

Nikad izvodite podešavanja na rasplinjaču regulatoru brzine. Rasplinjač je tvornički već podešen za efikasni rad pod većinom uvjeta. Nemojte dirati opruge regulatora, polužije ili druge dijelove radi povećavanja brzine vrtnje motora. Ako su podešavanja ipak potrebna, obratite se ovlaštenom servisnom centru Briggs & Stratton.

**OBAVIJEST:** Proizvođač opreme propisuje maksimalnu brzinu vrtnje motora koji je montiran na opremi. **Nemojte prekoračivati** ovu brzinu. Ako niste sigurni kolika je maksimalna brzina vrtnje opreme ili na koju je brzinu vrtnje motor podešen u tvornici, obratite se ovlaštenom servisnom centru Briggs & Stratton radi pomoći. Kako bi se osigurao siguran i propisani rad opreme, brzinu vrtnje smije podešavati samo kvalificirani servisni tehničar.



## Kako zamijeniti svječicu - slika 5

Provjerite razmak elektroda (A, slika 5) žičanim mjeračem (B). Ako je potrebno podesite razmak. Postavite svječicu i pritegnite je odgovarajućim momentom. Vrijednosti razmaka elektroda i momenta pritezanja svječice potražite u odjeljku **Tehnički podaci**.

**Napomena:** U određenim područjima, lokalni propis zahtjeva uporabu svječice s otpornikom da bi se spriječila radio smetnje koje nastaju pri paljenju. Ako je na ovom motoru ugrađena svječica s otpornikom, pri njezinoj zamjeni koristite istovrsnu svječicu.

## Pregledajte prigušivač i hvatač iskre - slika 6



### UPOZORENJE



Rad motora proizvodi toplinu. Dijelovi motora, naročito prigušivač, izuzetno se zagrijavaju.



Teške opekline mogu nastati pri dodiru.

Zapaljivi otpad poput lišća, trave, grmlja itd. može se upaliti.

- Pustite da se prigušivač, cilindri motora i krila ohlade prije dodirivanja.
- Odstranite nakupine nečistoće iz okoline prigušivača i cilindra.
- Kršenje je Kodeksa o javnim resursima Kalifornije, odjeljak 4442, ako na svim pošumljenim, grmovitim i travnatim površinama koristite motor koji nije opremljen hvatačem iskre koji je definiran u odjeljku 4442, koji se održava u dobrom stanju za rad. Druge države ili zakonodavni sustavi država mogu imati slične zakone. Kontaktirajte proizvođače originalne opreme, prodavača ili veletrgovca kako biste nabavili hvatač iskre koji je predviđen za montažu na ispušni sustav ovog motora.

Odstranite nakupine otpada iz područja prigušivača i cilindra. Pregledajte prigušivač (A, Slika 6) da na njemu nema pukotina, korozije ili drugih oštećenja. Skinite hvatač iskre (B), ako je ugrađen i pregledajte da nema oštećenja ili začepjenosti ugljičnim naslagama. Ako otkrijete oštećenje, montirajte zamjenski dio prije pokretanja.



**UPOZORENJE:** Zamjenski dijelovi moraju biti jednake izvedbe i moraju se ugraditi u istom položaju kao i originalni dijelovi. Drugi dijelovi neće raditi kako treba i mogu oštetiti jedinicu te dovesti do ozljede.

## Kako promijeniti ulje - slika 7 8 9 10

Iskorišteno ulje opasni je otpadni proizvod i mora se odložiti na prikladan način. Ne bacajte ga u kućni otpad. Provjerite s mjesnim vlastima, servisnim centrom ili zastupnikom gdje se nalazi postrojenje za sigurno odlaganje/reciklažu.

### Ispustite ulje

1. Dok je motor isključen ali je još uvijek topao, odvojite kabel svječice (A) i držite ga podalje od svječice (slika 7).
2. Skinite čep za ispuštanje ulja (B, slika 8). Ispustite ulje u prikladni spremnik.
3. Kad ispuštite ulje, postavite i opet zategnite čep za ispuštanje.

### Promijenite uljni filter (ako je ugrađen)

Neki modeli su opremljeni uljnim filtrom. Podatke o intervalima zamjene potražite u tablici **Održavanje**.

1. Ispustite ulje iz motora. Pogledajte odjeljak **Ispuštanje ulja**.
2. Skinite uljni filter (C) i odložite ga na prikladan način. Pogledajte sliku 9.
3. Prije postavljanja novog filtra, lagano nauljite brtvu filtra ulja svježim, čistim motornim uljem.
4. Završite uljni filter rukom sve dok brtva filtra en dodirne adapter filtra uja, zatim zategnite uljni filter 1/2 do 3/4 okretaja.
5. Dolijte ulje. Pogledajte odjeljak **Dodavanje ulja**.
6. Pokrenite motor i ostavite ga u radu. Kad se motor zagrije provjerite da negdje ne curi ulje.
7. Zaustavite rad motora i provjerite razinu ulja. Ona mora biti do oznake full (F) na mjernoj šipki (slika 10).

### Dolijte ulje

- Motor postavite u vodoravni položaj.
  - Iz područja za ulijevanje ulja očistite sve nečistoće.
  - Pogledajte odjeljak **Tehnički podaci** radi kapaciteta ulja.
1. Izvadite mjernu šipku (D) i obrišite je čistom krpom (slika 10).
  2. Polako nalijevajte ulje u otvor za nalijevanje (E). **Nemojte prepuniti.** Nakon dolijevanja ulja pričekajte jednu minutu i zatim opet provjerite razinu ulja.
  3. Umetnite i pritegnite mjernu šipku.
  4. Izvadite mjernu šipku i provjerite razinu ulja. Ona mora biti do oznake full (F) na mjernoj šipki.
  5. Umetnite i pritegnite mjernu šipku.

## Kako servisirati zračni filter - slika 11



### UPOZORENJE



Gorivo i njegove pare izuzetno su zapaljivi i eksplozivni. Požar ili eksplozija mogu izazvati ozbiljne opekline ili smrt.



- Nikad nemojte pokretati motor ako su sklop pročištača (ako je ugrađen) ili zračni filter (ako je ugrađen) skinuti.

**OBAVIJEST:** Za čišćenje filtra nemojte koristiti komprimirani zrak ili otapala. Komprimirani zrak može oštetiti filter a otapala ga mogu rastvoriti.

Pogledajte **Tablicu održavanja** radi potrebnih servisa.

1. Otvorite zasune (A) i skinite poklopac (B). Pogledajte Sliku 11.
2. Skinite maticu (D) i držač (E).
3. Skinite zračni filter (F).
4. Skinite predfilter sa zračnog filtra (G), ako je ugrađen.
5. Da se odvoje nečistoće od filtra, lagano ga kucnite o tvrdu površinu. Ako je filter prekomjerno zaprljan, zamijenite ga novim.
6. Predfilter operite u tekućem deterdžentu i vodi. Zatim ga temeljito osušite na zraku. **Nemojte nauljivati** predfilter.
7. Postavite suhi predfilter na zračni filter.
8. Postavite zračni filter i pričvrstite ga držačem i maticom.
9. Postavite i pričvrstite novi filter.

## Kako se mijenja filter za gorivo - slika 12



### UPOZORENJE



Gorivo i njegove pare izuzetno su zapaljivi i eksplozivni. Požar ili eksplozija mogu izazvati ozbiljne opekline ili smrt.



- Benzin držite podalje od iskrenja, otvorenog plamena, inicijalizacijskih plamčičaka, vrućine i drugih izvora zapaljenja.
- Provjeravajte češće vodove goriva, spremnik, poklopac i spojeve radi napuknuća ili curenja. Zamijenite ako je potrebno.
- Ispustite gorivo iz spremnika ili zatvorite ventil za dovod goriva prije zamjene filtra goriva.
- Zamjenski dijelovi moraju biti jednaki i postavljeni na istim mjestima kako i originalni dijelovi.
- Ako se gorivo prolije, pričekajte dok ne ishlapi prije pokretanja motora.

1. Prije zamjene filtra za gorivo (A, slika 12), ako je ugrađen, ispraznite spremnik s gorivom ili zatvorite ventil za dovod goriva. U protivnom bi moglo doći do istjecanja goriva što može dovesti do požara ili eksplozije.
2. Klijestima stisnite jezičke (B) na obujmicama (C), a zatim svucite obujmice s filtra za gorivo. Uvrnite i svucite vodove za gorivo (D) s filtra za gorivo.
3. Provjerite da na vodovima za gorivo nema pukotina curenja. Po potrebi ih zamijenite.
4. Zamijenite filter s gorivom originalnim zamjenskim filtrom na uređaju.
5. Pričvrstite vodove za gorivo obujmicama kako je i prikazano.

## Kako očistiti sustav za hlađenje zrakom - slika 13



### UPOZORENJE



Rad motora proizvodi toplinu. Dijelovi motora, naročito prigušivač, izuzetno se zagrijavaju.



Teške opekline mogu nastati pri dodiru.

Zapaljivi otpad poput lišća, trave, grmlja itd. može se upaliti.

- Pustite da se prigušivač, cilindri motora i krila ohlade prije dodirivanja.
- Odstranite nakupine nečistoće iz okoline prigušivača i cilindra.

**OBAVIJEST:** Nemojte vodom čistiti motor. Voda može onečistiti sustav goriva. Motor očistite četkom ili suhom krpom.

Ovo je motor sa zračnim hlađenjem. Prljavština ili nečistoća može ograničiti protok zraka te izazvati pregrijavanje motora, što će za posljedicu imati slabiji rad i skraćeni životni vijek motora.

Četkom ili suhom krpom odstranite nečistoću sa štitnika za prste (A). Polužje, opruge i regulatore održavajte (B) čistima. U prostoru iza i oko prigušivača (C) neka bude nikakvih zapaljivih nečistoća (slika 13). Pobrinite se da na rebrima hladnjaka za ulje (D) nema prljavštine ili nečistoće.

## Skladištenje



### UPOZORENJE

Gorivo i njegove pare izuzetno su zapaljivi i eksplozivni. Požar ili eksplozija mogu izazvati ozbiljne opekline ili smrt.

#### Pri uskladištenju goriva ili uređaja s gorivom u spremniku

- Pohranite daleko od peći, kuhala, grijača vode ili drugih uređaja koji imaju inicijalizacijske plamičke ili druge izvore paljenja jer oni mogu zapaliti pare goriva.

#### Sustav goriva

Gorivo može postati ustajalo ako je uskladišteno dulje od 30 dana. Ustajalo gorivo izaziva kisele i gumaste taloge u sustavu goriva ili na važnim dijelovima rasplinjača. Da

gorivo ostane svježe koristite **Briggs & Stratton naprednu formulu za stabilizaciju i pripremu goriva**, koja je dostupna kao tekući dodatak uz prodaju svakog originalnog proizvoda Briggs & Stratton.

Nema potrebe za ispuštanjem benzina iz motora ako je stabilizator dodan prema uputama. Neka motor radi 2 minute kako bi se stabilizator prije skladištenja rasporedio po sustavu za gorivo.

Ako gorivo prije skladištenja nije bilo obrađeno stabilizatorom, mora se ispustiti iz motora u prikladni spremnik. Pustite motor da radi dok se ne zaustavi zbog pomanjkanja goriva. Za održavanje svježine goriva se preporučuje korištenje stabilizatora goriva u spremniku goriva.

#### Motorno ulje

Dok je motor još uvijek zagrijan, promijenite ulje.

#### Rješavanje problema

Potrebna vam je pomoć? Pođite na [VanguardEngines.com](http://VanguardEngines.com) ili pozovite **1-800-999-9333** (u SAD).

## Tehnički podaci

Tehnički podaci motora	
Model	290000
Radni volumen	29,23 ci (479 ccm)
Otvor cilindra	2,677 in (68 mm)
Hod klipa	2,598 in (66 mm)
Kapacitet spremnika ulja	46 - 48 oz (1,36 - 1,42 L)

Tehnički podaci motora	
Model	300000
Radni volumen	29,23 ci (479 ccm)
Otvor cilindra	2,677 in (68 mm)
Hod klipa	2,598 in (66 mm)
Kapacitet spremnika ulja	46 - 48 oz (1,36 - 1,42 L)

Tehnički podaci motora	
Model	350000
Radni volumen	34,78 ci (570 ccm)
Otvor cilindra	2,835 in (72 mm)
Hod klipa	2,756 in (70 mm)
Kapacitet spremnika ulja	46 - 48 oz (1,36 - 1,42 L)

Tehnički podaci motora	
Model	380000
Radni volumen	38,26 ci (627 ccm)
Otvor cilindra	2,972 in (75,5 mm)
Hod klipa	2,756 in (70 mm)
Kapacitet spremnika ulja	46 - 48 oz (1,36 - 1,42 L)

Podaci za podešavanje	
Model	290000, 300000
Zazor svječice	0,030 in (0,76 mm)
Moment pritezanja svječice	180 lb-in (20 Nm)
Zazor rotora	0,008 - 0,012 in (0,20 - 0,30 mm)
Zazor usisnog ventila	0,004 - 0,006 in (0,10 - 0,15 mm)
Zazor ispušnog ventila	0,004 - 0,006 in (0,10 - 0,15 mm)

Podaci za podešavanje	
Model	350000, 380000
Zazor svječice	0,030 in (0,76 mm)
Moment pritezanja svječice	180 lb-in (20 Nm)
Zazor rotora	0,008 - 0,012 in (0,20 - 0,30 mm)
Zazor usisnog ventila	0,004 - 0,006 in (0,10 - 0,15 mm)
Zazor ispušnog ventila	0,004 - 0,006 in (0,10 - 0,15 mm)

\* Snaga motora će se smanjiti za 3,5% na svakih 1.000 stopa (300 metara) nadmorske visine i za 1% na svakih 10° F (5,6° C) iznad 77° F (25° C). Rad motora će biti zadovoljavajući do kutova nagiba od 15°. Pogledajte u upute za operatera radi podataka o dopuštenim sigurnosnim ograničenjima pri radu na usponima.

### Najčešći servisni dijelovi ✓

Servisni dio	Broj dijela
Zračni filter – osim modela: 358700, 380000	394018
Zračni filter – model: 358700, 380000	692519
Predfilter zračnog filtra – osim modela: 358700, 380000	272490
Predfilter zračnog filtra – model: 358700, 380000	692520
Ulje – SAE 30	100028
Filter ulja - 6 cm duljine	492932
Filter ulja - 9 cm duljine	491056

Servisni dio	Broj dijela
Filter za gorivo – sa spremnikom za gorivo	808116
Filter za gorivo - s pumpom za gorivo	691035
Filter za gorivo – bez pumpe za gorivo	298090
Napredna formula za pripremu goriva i stabilizator	100117, 100120
Svjećica s otpornikom	491055
Dugovječna platinasta svjećica	5066
Ključ za svjećicu	19374
Ispitivač iskre	19368

✓ Preporučujemo vam da se obratite ovlaštenom Briggs & Stratton servisu za održavanje i servis motora i dijelova motora.

## OGRANIČENO JAMSTVO

Korporacija Briggs & Stratton jamči da će za vrijeme dolje navedenog jamstvenog perioda besplatno popraviti ili zamijeniti svaki dio motora s greškom u materijalu ili izradi ili oboma. Troškove prijevoza dijelova poslanih na popravak ili zamjenu u smislu ovog jamstva mora snositi kupac. Ovo jamstvo vrijedi unutar dolje navedenog vremenskog razdoblja i pod dolje navedenim uvjetima. Radi popravka u jamstvenom roku kontaktirajte najbližega ovlaštenog servisera navedenog u karti za lociranje servisera na stranici BRIGGSandSTRATTON.com. Kupac mora stupiti u vezu s ovlaštenim servisera i omogućiti mu dostupnost proizvoda radi pregleda ili ispitivanja.

**Ne postoje druga izričita jamstva. Implicirana jamstva, uključujući ona o dopuštenosti prodaje i o odgovaranju za posebnu namjenu ograničena su na dolje navedeno razdoblje jamstva ili ako to zakon dopušta, svako i sva implicirana jamstva su isključena. Odgovornost za slučajnu štetu i štetu koja iz toga proizlazi isključena je ukoliko je zakonom dopušteno.** U nekim državama ili zemljama nije dopušteno ograničenje trajanja impliciranog jamstva, a u nekim državama ili zemljama nije dopušteno isključenje ili ograničenje slučajne štete ili štete koja iz toga proizlazi, tako da se možda gore navedena ograničenja i isključenja ne odnose na vas. Ovo jamstvo daje vam specifična zakonska prava, a možete imati i druga prava koja se razlikuju od države do države i od zemlje do zemlje. \*\*

## STANDARDNI UVJETI JAMSTVA \* ▲

Marka/Vrsta proizvoda	Privatno korištenje	Komercijalno korištenje
Vanguard™ ■	3 godine	3 godine
Komercijalna serija za travnjake™	2 godine	2 godine
Motore koje karakterizira Dura-Bore™ košuljica od lijevanog željeza	2 godine	1 godina
Svi drugi motori Briggs & Stratton	2 godine	90 dana

\* Ovo su naši standardni uvjeti jamstva, no ponekad može postojati obuhvaćenost jamstvom koja nije bila definirana u vrijeme objave ovog materijala. Ispis trenutnih uvjeta jamstva za vaš motor potražite na BRIGGSandSTRATTON.COM ili kontaktirajte ovlaštenog Briggs & Stratton servisnog predstavnika.

\*\* U Australiji – naši proizvodi dolaze s jamstvom koje se ne može isključiti australskim zakonom o potrošačima. Imate pravo na zamjenu ili povrat vrijednosti u slučaju velikih kvarova i na nadoknadu svih drugih razložnih i predvidivih gubitaka ili štete. Također imate pravo na popravak ili zamjenu robe ako se pokaže da je roba neprihvatljive kvalitete iako se kvar ne računa velikim kvarom. U vezi servisa o u okviru jamstva, nađite najbližeg ovlaštenog servisera u našoj lokacijskoj karti s predstavnicima na BRIGGSandSTRATTON.COM, pozivom na 1300 274 447, slanjem e-pošte ili pisma na salesenquiries@briggsandstratton.com.au, Briggs & Stratton Australia Pty Ltd, 1 Moorebank Avenue, Moorebank, NSW, Australia, 2170.

▲ Jamstvo ne vrijedi za motore na opremi koja se koristi kao primarni izvor napajanja na mjestu ustanove ili za generatore u stanju pripravnosti koji se upotrebljavaju za komercijalne svrhe. Jamstvo ne vrijedi za motore koji se koriste za natjecanja, u komercijalne svrhe ili za iznajmljivanje.

■ Vanguard koji je montiran na nepokretnim generatorima: 2 godine privatne upotrebe, bez jamstva za komercijalnu upotrebu. Vanguard koji je montiran na pomoćnim vozilima: 2 godine privatne upotrebe, 2 godine komercijalne upotrebe. Vanguard s 3 cilindra i hlađenjem s tekućinom: pogledajte Briggs & Stratton 3/LC Politika jamstva za vlasnike motora.

Jamstveni period počinje danom kupovine prvog korisnika ili komercijalnog krajnjeg korisnika i traje do isteka perioda naznačenog u gornjoj tablici. Korištenje u označava pojam "privatno korištenje" znači korištenje prvog vlasnika u vlastitom kućanstvu. "Komercijalno korištenje" znači sva ostala korištenja, uključujući korištenje s komercijalnom svrhom ostvarivanja zarade ili iznajmljivanja. Jednom kada se motor podvrgne komercijalnom korištenju, nadalje će se za potrebe ovog jamstva smatrati komercijalno korištenim motorom.

**Čuvajte vaš račun kao dokaz kupnje. Ako prilikom traženja usluge popravka u jamstvenom roku ne predložite dokaz o datumu prve kupovine, upotrijebit će se datum proizvodnje da bi se odredio jamstveni period. Nije potrebna registracija proizvoda kako biste ostvarili pravo na servis u okviru jamstva za proizvode tvrtke Briggs & Stratton.**

## O vašem jamstvu

Ovim ograničenim jamstvom obuhvaćene su samo greške u materijalu i/ili izradi, a ne zamjena ili naknada za stroj na koji se motor može montirati. Redovito održavanje, podešavanje, prilagodbe ili normalno trošenje i habanje nisu obuhvaćeni ovim jamstvom. Isto tako, jamstvo ne važi ako je serijski broj uklonjen s motora ili ako je motor pretrpio preinake ili izmjene. Ovim jamstvom nisu obuhvaćeni rabljeni, prepravljani, preprodavani i motori za pokazne uređaje. Ovim jamstvom nisu obuhvaćena oštećenja ili problemi u radu čiji uzrok je:

- 1 upotreba dijelova koji nisu originalni dijelovi tvrtke Briggs & Stratton.
- 2 rad motora s nedovoljnom količinom ili s onečišćenim uljem za podmazivanje ili s uljem za podmazivanje nepravilne gradacije
- 3 upotreba onečišćenog ili ustajalog goriva, mješavine benzina s više od 10% etanola ili zbog upotrebe alternativnih goriva kako što je ukapljeni naftni ili prirodni plin na motorima koji izvorno nisu projektirani/izrađeni za rad s takvim gorivima u tvrtki Briggs & Stratton
- 4 nečistoća koja je ušla u motor zbog nepravilnog održavanja ili ponovne montaže

- 5 udarac oštrice noža kosilice u neki tvrdi predmet, olabavljeni ili prejako zategnuti adapteri noža, rotora ili drugih elemenata spojenih na radilicu ili prezategnutost klinastih remena
- 6 pridruženi dijelovi ili sklopovi kao što su spojke, prijenosi, upravljački dijelovi uređaja itd., koje nije isporučila tvrtka Briggs & Stratton
- 7 pregrijavanje zbog pokošene trave, prljavštine i otpada, gnijezda glodavaca koji mogu dovesti do začepljenja rashladnih lamela ili područja zamašnjaka rad motora bez dovoljne ventilacije
- 8 prekomjerne vibracije zbog prekoračenja brzine, olabavljenih nosača motora, olabavljenih ili nebalansiranih noževa ili rotora ili nepropisnog načina povezivanja dijelova opreme s vratilom motora
- 9 neprikladna upotreba, pomanjkanje redovitog održavanja, otprema, rukovanje ili skladištenje opreme ili nepropisna montaža motora.

**Jamstveni servis dostupan je jedino putem mreže ovlaštenih servisnih predstavnika tvrtke Briggs & Stratton. Pronađite vama najbližeg servisnog predstavnika u našoj lokacijskoj karti na stranici BRIGGSandSTRATTON.COM ili nazovite broj 1-800-233-3723 (u SAD-u).**

## Általános információ

Biztonsági tudnivalókat tartalmaz ezen útmutató, hogy felhívja a figyelmet a motorokhoz kapcsolódó veszélyekre és kockázatokra, illetve ezek elkerülésének módzataira. A motor helyes gondozására és használatára vonatkozó útmutatásokat is tartalmaz. Mivel a Briggs & Stratton Corporation nem feltétlenül tudja, milyen berendezést fog ez a motor hajtani, fontos, hogy elolvassa és megértse ezen, valamint a motor által meghajtott berendezésre vonatkozó útmutatásokat. **Későbbi utánanézés céljából őrizze meg ezen eredeti útmutatásokat.**

Pótalkatrészek beszerzéséhez vagy műszaki támogatáshoz alább jegyezze fel a motor modellt, típus és kódszámát a vásárlás időpontjával együtt. Ezen számok a motorján találhatóak (lásd a **Funkciók és kezelőszervek** című oldalt).

Vásárlás dátuma: \_\_\_\_\_

HH/NN/ÉÉÉÉ

Motor modell: \_\_\_\_\_

Modell:

Típus:

Kódszám:

**Névleges teljesítmények:** A bruttó névleges teljesítmény feltüntetése egyedi benzinmotor modellek esetében az SAE (Autómérnökök Egyesülete) J1940 Kisméretű motorok teljesítmény és nyomaték szabvány előírásainak megfelelően történik, továbbá a besorolása összhangban van az SAE J1995 szabvánnyal is. 2600 percnkénti fordulatszámon történt a nyomatékértékek meghatározása olyan motorok esetében, melyeknél fel van tüntetve a percnkénti fordulatszám, míg 3060 percnkénti fordulatszámon minden más esetben; 3600 percnkénti fordulatszámnál kerültek a löerő értékek meghatározásra. A [www.BRIGGSandSTRATTON.COM](http://www.BRIGGSandSTRATTON.COM) webhelyen tekinthetők meg bruttó teljesítmény görbék. A nettó teljesítményértékeket a felszerelt kipufogóval és a levegőszűrővel, míg a bruttó teljesítményértékeket e kiegészítő elemek nélkül gyűjtötték. A tényleges bruttó névleges teljesítmény magasabb lesz, mint a nettó teljesítmény, melyet többek között, a környezeti feltételek, és a motor és motor közötti különbségek befolyásolnak. Adva van a termékek széles választéka, melyekben a motorokat használják, így előfordulhat, hogy a benzinmotor nem adja le a névleges teljesítményt, amikor egy adott motoros berendezésben használják. Ezen eltérés többféle tényezőre vezethető vissza beleértve, de nem korlátozva a részegységekre (levegőszűrő, kipufogó, adagoló, hűtés, porlasztó, üzemanyag-szivattyú, stb.), alkalmazási kötöttségekre, üzemeltetés helyi körülményeire (hőmérséklet, páratartalom, magasság), és a motor és motor közötti különbségekre. A gyártási és kapacitási korlátok miatt, a Briggs & Stratton nagyobb névleges teljesítményű motorral helyettesíthet egy motort.

## Kezelő biztonsága

### BIZTONSÁGI ÉS VEZÉRLÉSI JELZÉSEK



Tűz



Mozgó alkatrészek



Olaj



Mérgező füstök



Lassú



Gyors



Leállítás



Robbanás



Áramütés



Üzemanyag



Szívató



Be Ki



Üzemanyag elzárás



Visszarugás



Viseljen szemvédő eszközt



Veszélyes vegyi anyag




Olvassa el az útmutatót




Forró felület




Fagyási sérülés

A biztonságra figyelmeztető jel  olyan kockázatokra vonatkozó biztonsági információkat jelez, melyek személyi sérüléseket okozhatnak. A figyelemfelhívó szó (VESZÉLY, FIGYELMEZTETÉS vagy FIGYELEM) a figyelmeztető jelzettel együtt használatos annak jelzésére, hogy a mekkora a lehetséges sérülés valószínűsége és súlyossága. Továbbá egy kockázati jel is használatos a kockázat jellegének feltüntetésére.

 **VESZÉLY** egy kockázatot jelez, aminek ha nem kerülnek el **halál vagy súlyos sérülés a következménye.**

 **FIGYELMEZTETÉS** egy kockázatot jelez, aminek ha nem kerülnek el, **halál vagy súlyos sérülés a következménye.**

 **FIGYELEM** egy olyan kockázatot jelez, melynek ha nem kerülnek el, **kiseb vagy közepes sérülés lehet a következménye.**

**MEGJEGYZÉS** olyan körülményt jelez, melynek **következménye a termék károsodása lehet.**



### FIGYELMEZTETÉS

E termék bizonyos alkatrészei és a velük kapcsolatos tartozékok olyan vegyszereket tartalmaznak, melyeket Kalifornia Államban rákkeltőknek, születési rendellenességeket okozóknak és a reprodukív rendszerre káros hatásúnak ismernek. Mosson kezet a velük való érintkezés után.



### FIGYELMEZTETÉS

Ennek a terméknek a motor kipufogógázai Kalifornia állam hatóságai előtt ismert olyan anyagokat tartalmaznak, amelyek rákot, születési rendellenességeket vagy egyéb a szaporodást befolyásoló ártalmat okoznak.



### FIGYELMEZTETÉS

Nem tervezték a következő célokra, és nem is használhatóak ezekre a Briggs & Stratton motorok: funkartok; gokartok; gyermek, szabadidős vagy sport terepjárók (ATV); motorkerékpárok; légpárnás járművek; repülőgépek; vagy a Briggs & Stratton által nem támogatott versenyeken használt járművek. Versenysport termékekre vonatkozó további információért a [www.briggsracing.com](http://www.briggsracing.com) weboldalt nézze meg. Szabadidős és kétszemélyes terepjárókban való használatl kapcsolatosan forduljon a Briggs & Stratton Motor alkalmazási központjához, 1-866-927-3349. Súlyos sérülést vagy halált okozhat a nem megfelelő motorhasználat.

**MEGJEGYZÉS:** Ezt a motort a Briggs & Stratton olaj nélkül szállítja. A motor indítása előtt, ezen útmutató útmutatásai szerint töltsön be olajat. Ha olaj nélkül indítja el a motort, akkor a motor javíthatatlanul károsodást szenved, és nem esik a garancia hatálya alá.



## FIGYELMEZTETÉS



Az üzemanyag és gőzei rendkívül gyúlékony és robbanásveszélyes anyagok.



A tűz vagy a robbanás komoly égési sérüléseket vagy halált okozhat.

### Üzemanyag betöltések

- Állítsa le a motort és hagyja legalább 2 percig hűlni, mielőtt leveszi az üzemanyagtartály-sapkát.
- Az üzemanyagtartályt szabadban vagy jól szellőző helyen töltsse fel.
- Ne töltsse túl az üzemanyagtartályt. A benzin tágulásának lehetővé tételére ne töltsse az üzemanyagtartály nyakának alja fölé.
- Az üzemanyagot szikráktól, nyílt lángtól, őrlángtól, hőtől és más gyújtószerkezettől tartsa távol.
- Ellenőrizze az üzemanyagvezetékeket, a tankot, a sapkát és az illesztéseket repedések vagy szivárgások szempontjából. Ha szükséges, cserélje ki ezeket.
- Ha kifolyik az üzemanyag, várjon a motor indítása előtt, amíg elpárolog.

### Motor indításakor

- Bizonyosodjon meg arról, hogy a gyújtógyertya, a kipufogódob, az üzemanyagtartály sapkája és a levegőszűrő (ha be van szerelve) a helyén van-e és rögzítve van-e.
- Ne indítózson, ha a gyújtógyertya nincs a helyén.
- Ha a porlasztó túlfolyik, akkor állítsa a szivatót (ha be van szerelve) OPEN (NYITVA)/RUN (MŰKÖDÉS) állásba, a gázsabályozót (ha be van szerelve) állítsa FAST (GYORS) állásba és indítózson, amíg a motor be nem indul.

### Berendezés működésekor

- Ne döntse meg annyira a motort vagy a berendezést, hogy az üzemanyag kilötytenését okozza.
- A motort ne a porlasztó szivatasával állítsa le.
- Soha ne indítsa úgy a motort, hogy ki van szerelve a levegőszűrő szerelvény (ha be van szerelve) vagy a levegőszűrő (ha be van szerelve).

### Olajcsere esetén

- Ha az olajat a felső olajbetöltő csövön keresztül engedi le, akkor az üzemanyagtartálynak üresnek kell lennie, ellenkező esetben kifolyhat az üzemanyag és tüzet vagy robbanást okoz.

### Az egység megdöntése karbantartáshoz

- Ha olyan karbantartást végez, mely az egység megdöntését igényli, akkor az üzemanyagtartálynak üresnek kell lennie ellenkező esetben kifolyhat az üzemanyag és tüzet vagy robbanást okoz.

### Berendezés szállításakor

- ÜRES üzemanyagtartállyal vagy KI állásban lévő elzárószeleppel szállítsa.

### Üzemanyag vagy olyan berendezés tárolása, amelynek üzemanyagtartályában üzemanyag van.

- Kazánoktól, tűzhelyektől, vízmelegítőtől vagy más olyan berendezésektől távol helyezze el, amelyek gyújtólánggal vagy gyújtószerkezettel vannak ellátva távol tárolja, mivel ezek meggyújthatják az üzemanyag kipárolgást.



## FIGYELMEZTETÉS



A motor indítása szikrázást okoz.



A szikrázás gyúlékony gázok közelében azok meggyulladását eredményezheti.



Ennek robbanás és tűz lehet az eredménye.

- Ha a környezetben földgáz vagy cseppfolyósított petróleum-alapú gáz szivárgás történik, akkor ne indítsa el a motort.
- Ne alkalmazzon nyomás alatt lévő hidegindítókat, mert a gőzök gyúlékonyak.



## FIGYELMEZTETÉS



A járó motorok hőt termelnek. A motor alkatrészek, különösképpen a kipufogódob rendkívül felforrósodnak.



Ha hozzáérnek, komoly égési sérülések keletkezhetnek.



A gyúlékony hulladék, pl. lomb, fű, cserje stb. meggyulladhatnak.

- Hagyja lehűlni a kipufogódobot, a motorhengert és a bordákat, mielőtt hozzáér.
- Az összegyűlt hulladékot távolítsa el a hangtompító környékéről és a henger környezetéből.
- A Kaliforniai közösségi erőforrás törvény 4442. szakasza megsértésének számít, ha erdővel, bokrokkal vagy gyepel borított földterületen a motort úgy használják vagy működtetik, hogy kipufogórendszer nincs ténylegesen üzemképes állapotban lévő, a 4442 szakaszban meghatározott, szikrafogóval felszerelve. Más államok vagy a szövetségi törvényei hasonló törvényeket tartalmazhatnak. Lépjen kapcsolatba az eredeti gyártóval, kiskereskedővel vagy viszonteladóval e motor kipufogórendszeréhez meghatározott szikrafogó beszerzése érdekében.



## FIGYELMEZTETÉS



**MÉRGEZŐ GÁZ VESZÉLYE.** Szénmonoxidot, egy olyan mérgező gáz tartalmaz a kipufogógáz, mely percek alatt képes ölni. NEM érzékelhető szaglással vagy más érzékszervvel. Attól, hogy nem éri a kipufogógáz szagát, még ki lehet téve a szénmonoxid gáz által előidézett veszélynek. Ha hányingert, szédülést vagy gyengeséget kezd érezni e termék használata során, akkor állítsa le, és AZONNAL menjen szabad levegőre. Forduljon orvoshoz. Előfordulhat, hogy szénmonoxid mérgezése van.

- KIZÁRÓLAG ablakoktól, ajtóktól és szellőzőnyílásoktól távol, a szabadban működtesse e terméket, hogy csökkentse a szénmonoxid gáz felgyülemeléséből és esetlegesen emberi tartózkodásra szolgáló hely felé áramlásából származó veszélyt.
- A gyártó utasításainak megfelelően végezze az elemes működtetésű vagy hálózati táplálású szénmonoxid riasztó beszerelését. A füstérzékelők nem érzékelik a szénmonoxid gázt.
- NE működtesse e terméket lakásokban, garázsokban, alagsorokban, kúszóterekben, fészerekben, vagy más részben zárt helyeken még akkor sem, ha a szellőztetéshez ventilátorokat használ vagy kinyitja az ajtókat és ablakokat. Gyorsan felgyülemlik a szénmonoxid az ilyen helyeken, és még a termék kikapcsolása után is órákig megmarad.
- MINDIG a hátszél irányába ill. úgy fordítsa e terméket, hogy ne áramoljon emberi tartózkodásra szolgáló hely felé a kipufogógáz.



## FIGYELMEZTETÉS



A berántózsínór gyors visszahúzása (visszarúgás) a kezét és a karját gyorsabban húzza a motor felé, mint ahogy azt engedni tudja.

Csonttörés, roncsolás, rándulás vagy ficam lehet az eredménye.

- A motor indításakor lassan húzza a berántózsínórt, amíg ellenállást nem érez, majd a visszarángás elkerülésére gyorsan rántsa meg.
- A motor indítása előtt távolítsa el minden külső berendezést/motorterhelést.
- A berendezés közvetlenül rákapcsolt alkatrészeit, mint lapátokat, járókerekeket, ékszíjtárcsákat, lánckerekeket, stb. biztonságosan rögzíteni kell.



## FIGYELMEZTETÉS



A forgó alkatrészek érintkezésbe kerülhetnek a kézzel, lábbal, hajjal, ruházattal és más, a testen viselt tárgyakkal, vagy beleakadhatnak azokba.

Ennek balesetből eredő amputáció vagy súlyos bősérülés lehet az eredménye.

- A berendezés működtetések a védőberendezéseknek a helyükön kell lenniük.
- Forgó alkatrészekről tartsa távol kezeit és lábait.
- A hosszú hajat kösse fel, és vegye le az ékszereket.
- Ne viseljen bő ruhát, lógó húzózsínórokat, vagy olyan ruhadarabokat, amelyeket a gép elkaphat.



## FIGYELMEZTETÉS



Véletlen szikraképződés tüzet vagy áramütést okozhat.



A véletlen indítás balesetből eredő amputációt vagy zúzott sebeket okozhat.



Tűzveszély

### Beállítások vagy javítások végzése előtt:

- Bontsa a gyújtógyertya vezetékének csatlakozását, és tartsa távol a gyújtógyertyától.
- Bontsa az akkumulátor csatlakozását a negatív pólusnál (csak elektromos indítással rendelkező motorok esetében.)
- Csak megfelelő szerszámokat használjon.
- Ne piszkálja a szabályozó rugót, összekötéseket vagy más alkatrészeket a motor sebességének növelése érdekében.
- Ugyanolyan kivételnek kell a pótalkatrészeknek lenniük, és ugyanarra a helyre kell beszerelni azokat, mint az eredeti alkatrészeket. Lehet, hogy más alkatrészek nem teljesítenek olyan jól, károsodhat az egység és sérülés lehet az eredménye.
- Ne üsse meg a lendkereket kalapáccsal vagy egyéb kemény tárggyal, mivel a lendkerék később működés közben összetörhet.

### Gyújtás ellenőrzésekor:

- Jóváhagyott gyújtógyertya tesztet használjon.
- Ne ellenőrizze a gyújtást, amikor a gyújtógyertya nincs a helyén.

# Funkciók és kezelőszervek

Hasonlítsa össze az ábrát **1** a motorjával, hogy megismerkedjen a különböző funkciók és kezelőszervek elhelyezésével.

- A. Motorszám
- Modell Típus Kódszám**
- B. Gyújtógyertya
- C. Levegőszűrő
- D. Olajsztintjelző pálca/Olajbetöltő nyílás
- E. Olajszűrő (választható)
- F. Olajleeresztő csavar
- G. Olajnyomás-érzékelő
- H. Ujjvédő
- I. Elektromos önindító
- J. Rugóerős indító (választható)
- K. Porlasztó
- L. Kipufogócsanak
- M. Üzemanyag-szivattyú
- N. Üzemanyagszűrő (külön rendelhető)
- O. Olajhűtő (választható)
- P. Kipufogódob (választható)

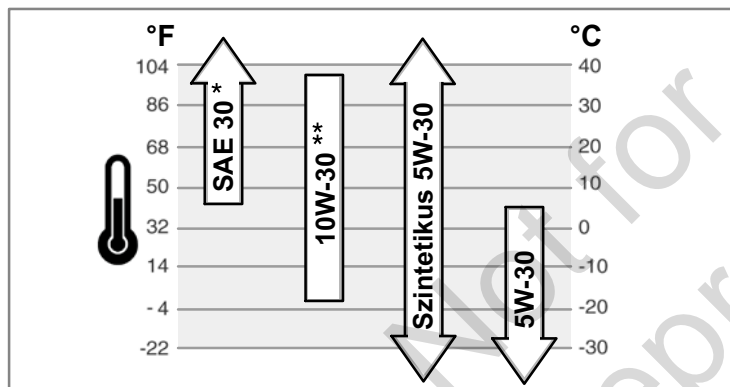
## Működés

Olajtérfoogat (lásd a **Műszaki jellemzők** című részt)

### Ajánlott olajminőségek

A legjobb teljesítmény elérésére ajánljuk a Briggs & Stratton jótállási bizonylattal rendelkező olajakat. Más jó minőségű detergenstartalmú kenőolajok akkor használhatóak, ha teljesítményszint besorolásuk SF, SG, SH, SJ vagy nagyobb. Ne használjon adalékokat.

A környezeti hőmérséklet határozza meg a motor számára a megfelelő olaj viszkozitást. A feltételezett külső hőmérsékleti tartománynak leginkább megfelelő viszkozitás kiválasztására használja a diagramot.



\* 40°F (4°C) alatt az SAE 30 használata nehéz indítást okoz.

\*\* 80°F (27°C) felett a 10W-30 használata megnövekedett olajfogyasztást okoz. Gyakrabban ellenőrizze az olajsztintet.

### Az olaj ellenőrzése/betöltése - ábra 2

**Olaj betöltése és ellenőrzése előtt**

- Állítsa vízszintes helyzetbe a motort.
  - Az olajbetöltő területet tisztítsa meg a portól.
1. Vegye ki az olajsztintjelző palcát (A), és tiszta kendővel törölje le (ábra 2).
  2. Az olajsztintjelző palcát ütközésig tolja be.
  3. Vegye ki az olajsztintjelző palcát, és ellenőrizze az olajsztintet. Az olajsztintjelző pálca tele jelzésének (B) a tetején kell lennie.
  4. Ha alacsony, akkor lassan öntse az olajat a motor olajbetöltő nyílásába (C). **Ne töltse túl!** Az olaj betöltése után várjon egy percig, majd ellenőrizze az olajsztintet.
  5. Az olajsztintjelző palcát ütközésig tolja be.

### Alacsony olajsztintet figyelő védőrendszer (ha be van szerelve)

Egyes motorok alacsony olajsztint érzékelőkkel vannak ellátva. Ha alacsony az olajsztint, akkor az érzékelő bekapcsolja a figyelmeztető lámpát, és leállítja a motort. Állítsa le a motort, és a motor újraindítása előtt a következő lépéseket végezze el.

- Ellenőrizze, hogy szintben van-e a motor.
- Ellenőrizze az olajsztintet. Lásd az **Olaj ellenőrzése/betöltése** című részt.
- Ha alacsony az olajsztint, akkor végezze el a megfelelő mennyiségű olaj utántöltését. Indítsa be a motort, és ellenőrizze, hogy nem világít-e a figyelmeztető lámpa (ha be van szerelve).
- Ha nem alacsony az olajsztint, akkor **ne indítsa be** a motort. Az olajellátás probléma kijavítására forduljon egy Hivatalos Briggs & Stratton szervizállomáshoz.

### Ajánlott üzemanyag-minőségek

**Az üzemanyagoknak meg kell felelni e követelményeknek:**

- Tiszta, friss, ólommentes benzin.
- Minimális 87 oktánszám/87 AKI (91 RON). Nagy magasságban való működtetésnél, lásd alább.
- Maximum 10% etanolt (gazohol) tartalmazó benzin használható.

**FIGYELEM:** Ne használjon jóváhagyással nem rendelkező benzinfajtákat, mint E15 és E85. Ne keverjen olajat a benzinbe, illetve ne módosítsa a motort, hogy más üzemanyagokkal működjön. Olyan károkat okoz a jóvá nem hagyott üzemanyagok használata, melyekre nem terjed ki a garancia.

Az üzemanyag-ellátó rendszer kátránylerakódás elleni védelmére keverjen üzemanyag stabilizátor adalékot az üzemanyagba. Lásd **Tárolás**. Nem minden üzemanyag egyforma. Ha teljesítményproblémák jelentkeznek, akkor cseréljen üzemanyag-forgalmazót vagy cseréljen márkát. Ez a motor benzinnel történő működésére lett tanúsítva. A károsanyag-kibocsátást szabályozó rendszer EM (Motoron eszközt módosítások).

### Nagy magasságban történő használat

5 000 láb (1 524 méter) feletti magasságokban, minimum 85-ös oktánszámú/85 AKI (89 RON) benzin használható.

A karburátoros motorok esetén nagy magasság számára megfelelő beállítás elvégzése szükséges a kibocsátási megfelelőség megőrzése érdekében. E beállítás nélküli üzemeltetésnél kisebb teljesítmény, nagyobb üzemanyag-fogyasztás és káros-anyag kibocsátás. Forduljon a Briggs & Stratton hivatalos szervizéhez a nagy magasság számára megfelelő beállítás elvégzésére érdekében. Nem ajánlott a 762 méter (2 500 láb) alatti magasságban a nagy magasság számára megfelelő beállítással való üzemeltetés.

Az elektronikus üzemanyag-befecskendezés (EFI) motoroknál szükségtelen a nagy magasság számára megfelelő beállítás elvégzése.

### Üzemanyag betöltése - ábra 3



#### FIGYELMEZTETÉS



**Az üzemanyag és gőzei rendkívül gyúlékony és robbanásveszélyes anyagok.**



**A tűz vagy a robbanás komoly égési sérüléseket vagy halált okozhat.**

#### Üzemanyag betöltésekor

- Állítsa le a motort és hagyja legalább 2 percig hűlni, mielőtt leveszi az üzemanyagtartály-sapkát.
- Az üzemanyagtartályt szabadban vagy jól szellőző helyen tölts fel.
- Ne töltsen túl az üzemanyagtartályt. A benzin túlgázolásának lehetővé tételére ne töltsen az üzemanyagtartály nyakának alja fölé.
- Az üzemanyagot szikrától, nyílt lángtól, őrlángtól, hőtől és más gyújtószervezettől tartsa távol.
- Ellenőrizze az üzemanyagvezetékeket, a tankot, a sapkát és az illesztéseket repedések vagy szivárgások szempontjából. Ha szükséges, cserélje ki ezeket.
- Ha kifolyik az üzemanyag, várjon a motor indítása előtt, amíg elpárolog.

1. A szennyeződéstől és nyusedéktől tisztítsa meg az üzemanyagtartály-sapka környékét. Vegye le az üzemanyagtartály-sapkát (A, ábra 3).
2. Töltsen fel benzinnel az üzemanyagtartályt (B). A benzin túlgázolásának lehetővé tételére ne töltsen az üzemanyagtartály nyakának alja fölé (C).
3. Tegye vissza az üzemanyagtartály-sapkát.

### A motor indítása - ábra 4



#### FIGYELMEZTETÉS



**A berántózsínor gyors visszahúzása (visszarúgás) a kezét és a karját gyorsabban húzza a motor felé, mint ahogy azt engedni tudja.**

**Csonttörés, roncsolás, rándulás vagy ficam lehet az eredménye.**

- A motor indításakor lassan húzza a berántózsínort, amíg ellenállást nem érez, majd a visszahúzást elkerülésére gyorsan rántsa meg.



#### FIGYELMEZTETÉS



**Az üzemanyag és gőzei rendkívül gyúlékony és robbanásveszélyes anyagok.**



**A tűz vagy a robbanás komoly égési sérüléseket vagy halált okozhat.**

#### Motor indításakor

- Bizonyosodjon meg arról, hogy a gyújtógyertya, a kipufogódob, az üzemanyagtartály sapkája és a levegőszűrő (ha be van szerelve) a helyén van-e és rögzítve van-e.
- Ne indítózson, ha a gyújtógyertya nincs a helyén.
- Ha a porlasztó túlfolyik, akkor állítsa a szivatót (ha be van szerelve) OPEN (NYITVA)/RUN (MŰKÖDÉS) állásba, a gázsabályozót (ha be van szerelve) állítsa FAST (GYORS) állásba és indítózson, amíg a motor be nem indul.



## FIGYELMEZTETÉS



**MÉRGEZŐ GÁZ VESZÉLYE.** Szénmonoxidot, egy olyan mérgező gázt tartalmaz a kipufogógáz, mely percek alatt képes ölni. NEM érzékelhető szaglással vagy más érzékszervvel. Attól, hogy nem érzi a kipufogógáz szagát, még ki lehet téve a szénmonoxid gáz által előidézett veszélynek. Ha hányingert, szédülést vagy gyengeséget kezd érezni a termék használata során, akkor állítsa le, és AZONNAL menjen szabad levegőre. Forduljon orvoshoz. Előfordulhat, hogy szénmonoxid mérgezése van.

- KIZÁRÓLAG ablakoktól, ajtóktól és szellőzőnyílásoktól távol, a szabadban működtesse e terméket, hogy csökkentse a szénmonoxid gáz felgyülemeléséből és esetlegesen emberi tartózkodásra szolgáló hely felé áramlásából származó veszélyt.
- A gyártó utasításainak megfelelően végezze az elemes működtetésű vagy hálózati táplálású szénmonoxid riasztó beszerelését. A füstérzékelők nem érzékelik a szénmonoxid gázt.
- NE működtesse e terméket lakásokban, garázsokban, alagsorokban, kúszóterekben, fészerekben, vagy más részben zárt helyeken még akkor sem, ha a szellőztetéshez ventilátorokat használ vagy kinyitja az ajtókat és ablakokat. Gyorsan felgyülemlik a szénmonoxid az ilyen helyeken, és még a termék kikapcsolása után is órákig megmarad.
- MINDIG a hátszél irányába ill. úgy fordítsa e terméket, hogy ne áramoljon emberi tartózkodásra szolgáló hely felé a kipufogógáz.

**FIGYELEM:** Ezt a motort a Briggs & Stratton olaj nélkül szállítja. A motor indítása előtt, ezen útmutató útmutatásai szerint töltsön be olajat. Ha olaj nélkül indítja el a motort, akkor a motor javíthatatlanul károsodást szenved, és nem esik a garancia hatálya alá.

**Megjegyzés:** Egyes motorok és berendezések távvezérlővel vannak ellátva. A távvezérlő helyének és működésének ismertetését a berendezés útmutatójában találja meg.

1. Ellenőrizze az olajszintet. Lásd **Olaj ellenőrzése/Olaj betöltése** című részeket.
2. Ellenőrizze, hogy a berendezés hajtásszabályozó kezelőszerveit, ha vannak, ki vannak-e kapcsolva.
3. Az üzemanyag-elzáró szelepet (A), ha be van szerelve, fordítsa a be állásba (ábra 4).
4. A leállító kapcsolóval (F) rendelkező motoroknál a kapcsolót állítsa be helyzetbe.
5. A gázsabályozót (B) mozgassa a gyors helyzetbe . A motort a gázsabályozó gyors helyzetbe állításával működtesse.
6. A szivatókart (C), vagy a szivató/gázsabályozó kombinált kart mozgassa a szivátás helyzetbe.  
**Megjegyzés:** Meleg motor újraindítása esetén a szivató használata általában felesleges.
7. **Rugóerős indító:** Az indítókulcsot (D), ha be van szerelve, fordítsa működés helyzetbe.
8. **Rugóerős indító:** Erősen tartsa a berántózsínór fogantyúját (E). Lassan addig húzza a berántózsínór fogantyúját, amíg ellenállást nem érez, majd hirtelen rántsa meg.  
**MEGJEGYZÉS:** Ha a motor több kísérlet után sem indul, akkor keresse fel a forduljon a helyi viszonteladóhoz vagy **VanguardEngines.com** or call **1-800-999-9333** (az Amerikai Egyesült Államokban) útján elérhető vevőszolgálatához.



## FIGYELMEZTETÉS:

A berántózsínór gyors visszahúzása (visszarúgás) a kezét és a karját gyorsabban húzza a motor felé, mint ahogy azt engedni tudja. Törött csontok, törések, roncsolások vagy ficamok a következményei. A motor indításakor lassan húzza meg a zsinórt addig, amíg ellenállást nem érez, majd gyorsan rántsa meg, hogy elkerülje a visszarúgást.

9. **Elektromos indítás:** Az elektromos indítókulcsot (D) fordítsa be/start helyzetbe.  
**MEGJEGYZÉS:** Ha a motor több kísérlet után sem indul, akkor keresse fel a forduljon a helyi viszonteladóhoz vagy **VanguardEngines.com** or call **1-800-999-9333** (az Amerikai Egyesült Államokban) útján elérhető vevőszolgálatához.  
**MEGJEGYZÉS:** Az önindító élettartamának növelésére rövid indítási ciklusokat használjon (maximum öt másodperc). Két indítási ciklus között várjon egy percet.
10. Amint a motor felmelegedett állítsa a szivatókart (C) a működés helyzetbe.

## A motor leállítása - ábra 4



## FIGYELMEZTETÉS



**Az üzemanyag és gőzei rendkívül gyúlékony és robbanásveszélyes anyagok.**

**A tűz vagy a robbanás komoly égési sérüléseket vagy halált okozhat.**

- A motort ne a porlasztó szivátásával állítsa le.

1. A gázsabályozó (B) kart mozgassa a lassú helyzetbe, fordítsa az indítókulcsot (D) ki helyzetbe (ábra 4). Vegye ki a kulcsot, és tegye biztonságos helyre, ahol gyermekek nem férhetnek hozzá.
2. Állítsa a leállító kapcsolót (F), ha be van szerelve, ki helyzetbe.

3. Miután leállt a motor az üzemanyag-elzáró szelepet (A), ha be van szerelve, fordítsa zárt állásba.

## Karbantartás

Javasoljuk, hogy a motor és motor alkatrészek bármely karbantartását és szervizelését Hivatalos Briggs & Stratton szervizállomáson végeztesse.

**MEGJEGYZÉS:** Minden alkatrésznek, melyet ebbe a motorba építettek a helyén kell maradnia a megfelelő működés érdekében.



## FIGYELMEZTETÉS:

Ha olyan karbantartást végez, mely az egység megdöntését igényli, akkor az üzemanyagtartálynak üresnek kell lennie ellenkező esetben kifolyhat az üzemanyag és tüzet vagy robbanást okoz.

## Károsanyag-kibocsátás

A károsanyag-kibocsátást szabályzó eszközök és rendszerek karbantartását, cseréjét és javítását szervizben bármely motorjavító szerviz vagy szerelő szakember elvégezheti. Azonban, ha a Briggs & Stratton garanciális feltételei és rendelkezései szerinti "térítésmentes" javítást szeretne kapni, akkor az ilyen szervizelés a gyár hivatalos szolgáltatójának kell végeznie. Lásd a Károsanyag-kibocsátás garancia.



## FIGYELMEZTETÉS



**Véletlen szikraképződés tüzet vagy áramütést okozhat.**



**A véletlen indítás balesetből eredő amputációt vagy zúzott sebeket okozhat.**



**Tűzveszély**



### Beállítások vagy javítások végzése előtt:

- Bontsa a gyújtógyertya vezetékekének csatlakozását, és tartsa távol a gyújtógyertyától.
  - Bontsa az akkumulátor csatlakozását a negatív pólusnál (csak elektromos indítással rendelkező motorok esetében.)
  - Csak megfelelő szerszámokat használjon.
  - Ne piszkálja a szabályozó rugót, összekötéseket vagy más alkatrészeket a motor sebességének növelése érdekében.
  - Ugyanolyan kivételnek kell a pótalkatrészeknek lenniük, és ugyanarra a helyre kell beszerelni azokat, mint az eredeti alkatrészeket. Lehet, hogy más alkatrészek nem teljesítenek olyan jól, károsodhat az egység és sérülés lehet az eredménye.
  - Ne üsse meg a lendkeréket kalapáccsal vagy egyéb kemény tárggyal, mivel a lendkerék később működés közben összetörhet.
- Gyújtás ellenőrzések:**
- Jóváhagyott gyújtógyertya tesztet használjon.
  - Ne ellenőrizze a gyújtást, amikor a gyújtógyertya nincs a helyén.

## Karbantartási táblázat

### 8 üzemóránként vagy naponta

- Ellenőrizze az olajszintet
- Tisztítsa meg a kipufogódob és a kezelőszervek körüli területet

### Minden 100 óra elteltével vagy évente

- Tisztítsa meg, vagy cserélje ki a levegőszűrőt \*
- Tisztítsa meg az előszűrőt (ha be van szerelve) \*
- Cseréljen motorolajat és szűrőt
- Cserélje ki a gyújtógyertyát
- Ellenőrizze a kipufogódobot és a szikrafogót

### Minden 250 óra elteltével vagy évente

- Ellenőrizze a szelephézagot. Szükség esetén állítsa be.

### Minden 400 óra elteltével vagy évente

- Cseréljen levegőszűrőt
- Cserélje ki az üzemanyagszűrőt
- Tisztítsa meg a léghűtőrendszert \*
- Tisztítsa meg az olajhűtő bordáit \*

\* Poros környezetben vagy amikor levegőből származó szilárd szennyeződés van jelen, akkor gyakrabban tisztítsa meg.

## A porlasztó és a motorfordulatszám beállítása

Sohase végezzen porlasztó vagy motorfordulatszám beállítást. Gyárilag úgy állították be a porlasztót, hogy az hatékonyan működjön a leggyakrabban előforduló feltételek között. Ne piszkálja a szabályozórugót, összekapcsoló szerkezeteket vagy más alkatrészeket a motorfordulatszám változtatására. Ha bármiféle beállítás szükséges, akkor az elvégzéséért forduljon egy Hivatalos Briggs & Stratton szakszervizhez.

**MEGJEGYZÉS:** Berendezésbe történő szerelés esetén a berendezés gyártója megadja a maximális motorfordulatszámot. **Ne lépje túl** e fordulatszámot. Ha nem biztos abban, hogy mi a berendezés maximális fordulatszáma, vagy mi a gyárilag beállított motorfordulatszám, akkor segítségért forduljon egy Hivatalos Briggs & Stratton szervizközponthoz. A berendezés biztonságos és megfelelő működése érdekében kizárólag szakképzett szerviztechnikus végezze motorfordulatszám beállítását.

## Gyújtógyertya csere - ábra 5

Résmérővel (B) ellenőrizze a hézagot (A, ábra 5). Ha szükséges, akkor állítsa vissza a hézagot. Szerelje be és az ajánlott nyomatékkal húzza meg a gyújtógyertyát. Hézag beállításához vagy a nyomatékhoz lásd a **Műszaki jellemzők** című részt.

**Megjegyzés:** Egyes helyeken, a helyi törvények megkívánják az előtét ellenállással szerelt gyújtógyertya használatát a zavarójelek elnyomása végett. Ha ez a motor eredetileg is előtét ellenállással szerelt gyújtógyertyával volt ellátva, csakis az azonos típusút használja csere esetén.

## Ellenőrizze a kipufogódobot és a szikrafogót - ábra 6



### FIGYELMEZTETÉS



**A járó motorok hőt termelnek. A motor alkatrészek, különösképpen a kipufogódob rendkívül felforrósodnak.**



**Ha hozzáérnek, komoly égési sérülések keletkezhetnek.**

**A gyúlékony nyesedék, pl. lomb, fű, cserje stb. meggyulladhatnak.**

- Hagyja lehűlni a kipufogódobot, a motorhengert és a bordákat, mielőtt hozzáér.
- Az összegyűlt nyesedéket távolítsa el a kipufogódob környékéről és a henger környezetéből.
- Kalifornia állam közvagyonra vonatkozó törvénykönyvének 4442. cikkelye megsértése, ha a motort erdővel, cserjével vagy fűvel borított területen úgy használja, hogy a 4442 cikkelynek megfelelően a kipufogórendszer nincs ellátva szikrafogóval és az nincs működőképés állapotban. Más államoknak vagy a szövetségi törvényhozásnak is hasonló törvényeik lehetnek érvényben. Keresse meg az eredeti gyártót, kikereskedőt, viszonteladót olyan szikrafogó beszerzése érdekében, melyet e motorra szerelt kipufogórendszerhez terveztek.

Távolítsa el a kipufogódob és a henger környékéről a nyesedéket. Repedések, korrózió vagy egyéb sérülések szempontjából ellenőrizze a kipufogódobot (A, 6 ábra). Szerelje le a szikrafogót (B), ha be van szerelve, és sérülések vagy széntől származó eltömődés szempontjából ellenőrizze. Ha sérülést talál, akkor üzemeltetés előtt szerelje be a pótalkatrészt.



**FIGYELMEZTETÉS:** Ugyanolyan kivételnek kell a pótalkatrészeknek lenniük, és ugyanarra a helyre kell beszerelni azokat, mint az eredeti alkatrészeket. Lehet, hogy más alkatrészek nem teljesítenek olyan jól, károsodhat az egység és sérülés lehet az eredménye.

## Olajcsere - ábra 7 8 9 10

A fáradt olaj veszélyes hulladék és megfelelő módon kell elhelyezni. Ne öntse háztartási hulladékba. A biztonságos hulladék elhelyezéssel/újrahasznosítással kapcsolatosan érdeklődjön a helyi önkormányzatnál, szervizközpontban vagy viszonteladónál.

### Olaj leeresztése

1. Leállított, de még meleg motornál, bontsa a gyújtógyertya vezeték csatlakozását (A), és tartsa távol a gyújtógyertyától (ábra 7).
2. Csavarja ki az olajleeresztő csavart (B, ábra 8). Az olajat egy erre a célra jóváhagyott tartályba engedje le.
3. Miután leengedte az olajat csavarja be, és húzza meg az olajleeresztő csavart.

### Olajsűrű cseréje (ha be van szerelve)

Egyes modellek olajsűrűvel vannak ellátva. A csereidőközők a **Karbantartási** táblázat című részben találhatóak.

1. Az olajat engedje le a motorból. Lásd **Olaj leeresztése** című részt.
2. Szerelje ki az olajsűrűt (C) és gondoskodjon a megfelelő hulladékéelhelyezésről. Lásd ábra 9.
3. Az új olajsűrű beszerelése előtt, friss, tiszta olajjal kissé nedvesítse meg az olajsűrű tömítéseit.
4. Addig kézzel csavarja az olajsűrűt, amíg a tömítés nem érintkezik az olajsűrű adapterével, majd 1/2 - 3/4 fordulattal húzza meg az olajsűrűt.
5. Olaj utántöltése. Lásd az **Olaj utántöltése** című részt.
6. Indítsa el a motort. Amikor a motor felmelegedett ellenőrizze az olajszivárgásokat.
7. Állítsa le a motort, és ellenőrizze az olajsztintet. Az olajsztintjelző pálcá tele jelzésének (F) a tetején kell lennie. Lásd ábra 10.

### Olaj betöltése

- Állítsa vízszintes helyzetbe a motort.
  - Az olajbetöltő területet tisztítsa meg a portól.
  - Az olajtérfigogatót illetően lásd a **Műszaki jellemzők** című részt.
1. Vegye ki az olajsztintjelző pálcát (D), és tiszta kendővel törölje le. Lásd ábra 10.
  2. Lassan öntse az olajat a motor olajbetöltő nyílásába (E). **Ne töltse túl.** Az olaj betöltése után várjon egy percig, majd ellenőrizze az olajsztintet.
  3. Tegye be, és húzza meg az olajsztintjelző pálcát.

4. Vegye ki az olajsztintjelző pálcát, és ellenőrizze az olajsztintet. Az olajsztintjelző pálcá tele jelzésének (F) a tetején kell lennie.
5. Tegye be, és húzza meg az olajsztintjelző pálcát.

## A levegősűrű szervizelése - ábra 11



### FIGYELMEZTETÉS



**Az üzemanyag és gőzei rendkívül gyúlékony és robbanásveszélyes anyagok.**



**A tűz vagy a robbanás komoly égési sérüléseket vagy halált okozhat.**

- Soha ne indítsa úgy a motort, hogy ki van szerelve a levegősűrű szerelvény (ha be van szerelve) vagy a levegősűrű (ha be van szerelve).

**MEGJEGYZÉS:** Ne használjon sűrített levegőt vagy oldószereket a szűrő tisztítására. A sűrített levegő károsíthatja a szűrőt, és az oldószerek oldják a szűrőt.

A szervizkövetelményeket a **Karbantartási táblázat** tartalmazza.

1. Bontsa a reteszleléseket (A) és vegye le a fedelet (B). Lásd ábra 11.
2. Szerelje ki az anyát (D) és a rögzítőgyűrűt (E).
3. Vegye ki a levegősűrűt (F).
4. Vegye ki az előszűrőt (G), ha be van szerelve, a levegősűrűből.
5. A nyesedék fellazítására ütögesse meg a levegősűrű kemény felületét. Ha túlzottan elszennyeződött a levegősűrű, akkor cserélje ki egy új levegősűrűre.
6. Az előszűrőt tisztítószerez vízben mossa ki. Majd hagyja alaposan kiszáradni. **Ne** olajozza be az előszűrőt.
7. Tegye be a száraz előszűrőt a levegősűrűbe.
8. Szerelje be a levegősűrűt és a rögzítőgyűrűvel és az anyával rögzítse azt.
9. Szerelje be és rögzítse a fedelet.

## Üzemanyagsűrű cseréje - ábra 12



### FIGYELMEZTETÉS



**Az üzemanyag és gőzei rendkívül gyúlékony és robbanásveszélyes anyagok.**



**A tűz vagy a robbanás komoly égési sérüléseket vagy halált okozhat.**

- Az üzemanyagot szikrától, nyílt lángtól, őrlángtól, hőtől és más gyújtószervezettől tartsa távol.
- Gyakran ellenőrizze az üzemanyag vezetékeket, tartályt, sapkát és szerelvényeket, hogy nincs-e repedés vagy szivárgás. Szükség esetén cserélje ki.
- Mielőtt üzemanyagsűrűt cserél engedje le az üzemanyagtartály tartalmát, vagy zárja el az üzemanyag-elzáró csapot.
- A pótalkatrészeknek ugyanolyanoknak kell lenniük, és ugyanarra a helyre kell beszerelni azokat, mint az eredeti alkatrészeket.
- Ha kifolyik az üzemanyag, várjon a motor indítása előtt, amíg elpárolog.

1. Az üzemanyagsűrűt (A, ábra 12), cseréje előtt, ha be van szerelve, engedje le az üzemanyagtartály tartalmát, vagy zárja el az üzemanyag-elzáró csapot. Másikülönben kiszivároghat az üzemanyag és tüzet vagy robbanást okoz.
2. A bilincseken (C) fogót használjon a fülék (B) összenyomására, majd a bilincseket csúsztassa el az üzemanyagsűrűtől. Csavarja meg és húzza el az üzemanyagsűrűtől az üzemanyagvezetékeket (D).
3. Repedés vagy szivárgás szempontjából ellenőrizze az üzemanyagvezetékeket. Szükség esetén cserélje ki a hibás alkatrészt.
4. Az üzemanyagsűrűt eredeti berendezés cserealkatrésszel cserélje ki.
5. Az ábrának megfelelően bilincsekkel rögzítse az üzemanyagvezetékeket.

## A léghűtőrendszer tisztítása - ábra 13



### FIGYELMEZTETÉS



**A járó motorok hőt termelnek. A motor alkatrészek, különösképpen a kipufogódob rendkívül felforrósodnak.**



**Ha hozzáérnek, komoly égési sérülések keletkezhetnek.**

**A gyúlékony nyesedék, pl. lomb, fű, cserje stb. meggyulladhatnak.**

- Hagyja lehűlni a kipufogódobot, a motorhengert és a bordákat, mielőtt hozzáér.
- Az összegyűlt nyesedéket távolítsa el a kipufogódob környékéről és a henger környezetéből.

**MEGJEGYZÉS:** Vízet ne használjon a motor tisztításához. A víz szennyezheti az üzemanyag-ellátó rendszert. Kétféle vagy száraz kendőt használjon a motor tisztításához.

Ez egy léghűtéses motor. A szennyeződés vagy a nyesedék akadályozhatja a légáramlást és a motor túlmelegedését okozhatja, mely gyengébb teljesítményt és rövidebb motor élettartamot okoz.

Kétféle vagy száraz kendőt használjon a nyesedék ujjvédőről (A) való eltávolítására. Tartsa tisztán az összekapcsoló szerkezetet, rugókat és kezelőszerveket (B). A kipufogódob (C) körüli és mögötti területet tartsa tisztán a gyúlékony nyesedéktől (13. ábra). Győződjön meg arról, hogy az olajhűtő bordái (D) meg vannak-e tisztítva a szennyeződéstől és a nyesedéktől.



## Tárolás



### FIGYELMEZTETÉS



Az üzemanyag és gőzei rendkívül gyúlékony és robbanásveszélyes anyagok.

A tűz vagy a robbanás komoly égési sérüléseket vagy halált okozhat.

Üzemanyag vagy olyan berendezés tárolása, amelynek üzemanyagtartályában üzemanyag van.

- Kazánoktól, tűzhelyektől, vízmelegítőtől vagy más olyan berendezésektől távol helyezze el, amelyek gyújtólánggal vagy gyújtószerkezettel vannak ellátva távol tárolja, mivel ezek meggyújthatják az üzemanyag kipárolgást.

### Üzemanyag-ellátó rendszer

30 napnál hosszabb tárolás esetén az üzemanyag állottá válhat. Az állott üzemanyag

sav és kátránylerakódást okoz az üzemanyag-ellátó rendszerben vagy a porlasztó fontos alkatrészein. Az üzemanyag frissen tartása érdekében **Briggs & Stratton Speciális formulájú üzemanyag kezelő és stabilizáló adalékot használjon**, ez bárhol beszerezhető, ahol Briggs & Stratton eredeti pótalkatrészeket árulnak.

Az útmutatás szerint üzemanyag-stabilizáló hozzáadása esetén nem szükséges a benzint leeresztése a motorból. Tárolás előtt 2 percig működtesse a motort a stabilizáló üzemanyag-ellátó rendszerben való keringtetése érdekében.

Ha nem használ üzemanyag stabilizátort, akkor tárolás előtt a berendezésből le kell engedni a benzint. Addig működtesse a motort, amíg üzemanyag hiányában leáll. A frissesség megőrzésére ajánlott üzemanyag stabilizátor adalék használata a tárolótartályban.

### Motorolaj

Amíg még meleg a motor cseréljen motorolajat.

### Hibakeresés

Segítségre van szüksége? Keresse fel a **VanguardEngines.com** webhelyet, vagy hívja a **1-800-999-9333** (az Egyesült Államokban) telefonszámot.

## Műszaki jellemzők

Motor műszaki jellemzők	
Modell	290000
Hengerűrtartalom	29,23 hüvelyk <sup>3</sup> (479 cm <sup>3</sup> )
Hengerfurat	2,677 hüvelyk (68 mm)
Lökethossz	2,598 hüvelyk (66 mm)
Olajtérfogat	46 - 48 uncia (1,36 - 1,42 L)

Motor műszaki jellemzők	
Modell	300000
Hengerűrtartalom	29,23 hüvelyk <sup>3</sup> (479 cm <sup>3</sup> )
Hengerfurat	2,677 hüvelyk (68 mm)
Lökethossz	2,598 hüvelyk (66 mm)
Olajtérfogat	46 - 48 uncia (1,36 - 1,42 L)

Motor műszaki jellemzők	
Modell	350000
Hengerűrtartalom	34,78 hüvelyk <sup>3</sup> (570 cm <sup>3</sup> )
Hengerfurat	2,835 hüvelyk (72 mm)
Lökethossz	2,756 hüvelyk (70 mm)
Olajtérfogat	46 - 48 uncia (1,36 - 1,42 L)

Motor műszaki jellemzők	
Modell	380000
Hengerűrtartalom	38,26 hüvelyk <sup>3</sup> (627 cm <sup>3</sup> )
Hengerfurat	2,972 hüvelyk (75,5 mm)
Lökethossz	2,756 hüvelyk (70 mm)
Olajtérfogat	46 - 48 uncia (1,36 - 1,42 L)

Beállítási jellemzők *	
Modell	290000, 300000
Gyertyahézag	0,030 hüvelyk (0,76 mm)
Gyújtógyertya nyomaték	180 font-hüvelyk (20 Nm)
Forgórész légrés	0,008 - 0,012 hüvelyk (0,20 - 0,30 mm)
Szívószelep hézag	0,004 - 0,006 hüvelyk (0,10 - 0,15 mm)
Kipufogószelep hézag	0,004 - 0,006 hüvelyk (0,10 - 0,15 mm)

Beállítási jellemzők *	
Modell	350000, 380000
Gyertyahézag	0,030 hüvelyk (0,76 mm)
Gyújtógyertya nyomaték	180 font-hüvelyk (20 Nm)
Forgórész légrés	0,008 - 0,012 hüvelyk (0,20 - 0,30 mm)
Szívószelep hézag	0,004 - 0,006 hüvelyk (0,10 - 0,15 mm)
Kipufogószelep hézag	0,004 - 0,006 hüvelyk (0,10 - 0,15 mm)

\* A motorteljesítmény csökken 3,5% értékkel minden 1 000 láb (300 méter) tengerszint feletti magasság növekedés esetén, és 1% értékkel minden 10° F (5,6° C) hőmérséklet növekedés esetén 77° F (25° C) felett. A motor maximum 15° értékű lejtőn működik kielégítően. A megengedett lejtőkre vonatkozólag lásd a berendezés kezelési útmutatóját.

### Általános szerviz alkatrészek ✓

Szerviz alkatrész	Alkatrész szám
Levegőszűrő – 358700, 380000 modell kivételével	394018
Levegőszűrő – 358700, 380000 modell	692519
Levegőszűrő előszűrő – 358700, 380000 modell kivételével	272490
Levegőszűrő előszűrő – 358700, 380000 modell	692520
Olaj – SAE 30	100028
Olajszűrő (6 cm hosszú)	492932
Olajszűrő (9 cm hosszú)	491056

Szerviz alkatrész	Alkatrész szám
Üzemanyagszűrő – üzemanyagtartállyal rendelkező	808116
Üzemanyagszűrő - üzemanyag-szivattyúval rendelkező	691035
Üzemanyagszűrő - üzemanyag-szivattyú nélküli	298090
Speciális formulájú üzemanyag kezelő és stabilizáló adalék	100117, 100120
Előtét ellenállással szerelt gyújtógyertya	491055
Hosszú élettartamú platina gyújtógyertya	5066
Gyújtógyertya kulcs	19374
Gyújtógyertya tesztelő	19368

✓ Javasoljuk, hogy a motor és motor alkatrészek bármely karbantartását és szervizelését Hivatalos Briggs & Stratton szervizállomásom végeztesse.

## KORLÁTOZOTT GARANCIA

A Briggs & Stratton garantálja, hogy az alább meghatározott garanciális időn belül, díjmentesen megjavítja vagy kicseréli a motornak bármely olyan részét vagy részét, amely anyag- vagy gyártáshiba, vagy mindkettő. A javítandó termék vagy cserealkatrész szállítási költségeit, a garancia szerint a vásárlónak kell fedeznie. A garancia csak az alábbiakban meghatározott időtartamok és feltételek szerint érvényes. A garanciális szolgáltatásokkal kapcsolatosan az ügyfélszolgálati térképünkön keresse meg a legközelebbi Hivatalos szervizállomást, melyet a [www.BRIGGSandSTRATTON.com](http://www.BRIGGSandSTRATTON.com) című webhelyen találhat meg. A vásárlónak kapcsolatba kell lépnie a Hivatalos szervizállomással, majd lehetővé kell tennie a Hivatalos szervizállomás számára a motor átvizsgálását és tesztelését.

**Más kifejezett garancia nem létezik. A vélelmezett garanciák esetében, beleértve az eladhatóságra és egy bizonyos célra való megfelelésre vonatkozó garanciát, az alábbi táblázatban szereplő vagy a törvény által meghatározott időszakok érvényesek. A járulékos vagy közvetett károkat a felelősség olyan mértékben van kizárva, mely kizárást a törvény megengedi.** Egyes országokban vagy államokban nem engedélyeznek olyan korlátozást, hogy mennyi ideig tart valamely vélelmezett garancia, és bizonyos országokban vagy államokban nem engedik meg a járulékos vagy közvetett károk kizárását vagy korlátozását, így lehetséges, hogy a fenti korlátozás és kizárás Önre nem vonatkozik. Jelen garancia meghatározott jogokat biztosít Önnek, és elképzelhető, hogy egyéb jogai is vannak, ezek azonban országról-országra illetve államról-államra változnak. \*\*

## NORMÁL GARANCIÁLIS FELTÉTELEK \* ▲

Márka/terméktípus	Fogyasztói felhasználás	Kereskedelmi felhasználás
Vanguard™ ■	3 év	3 év
Kereskedelmi Turf Series motor™	2 év	2 év
Dura-Bore™ öntöttvas perselyes motorok	2 év	1 év
Minden más Briggs & Stratton motor	2 év	90 nap

\* Ezek a normál garanciális kikötéseink, de alkalmilag előfordulhat további garanciális kikötés, mely a kiadás idején nem került meghatározásra. A motorjára vonatkozó garanciális kikötések jelenlegi listájának megismeréséhez keresse fel a [BRIGGSandSTRATTON.COM](http://BRIGGSandSTRATTON.COM) című webhelyet vagy vegye fel a kapcsolatot egy Hivatalos Briggs & Stratton szervizállomással.

\*\* Ausztráliában – Olyan garanciákkal rendelkeznek termékeink, melyek nem zárhatóak ki az Ausztrál fogyasztói törvény szerint. Bármely súlyos hiba esetén cserére vagy visszatérítésre, míg bármely más ésszerűen előrelátható okból bekövetkező veszteség vagy kár miatt kártérítésre jogosult. Továbbá jogosult a termékek javítására vagy cseréjére, ha nem elfogadható minőségű a termék, és nem tekinthető súlyos hibának a hiba. A garanciális szolgáltatásokkal kapcsolatosan a [BRIGGSandSTRATTON.COM](http://BRIGGSandSTRATTON.COM) című webhelyen található ügyfélszolgálati térképünkön keresse meg a legközelebbi Hivatalos szervizállomást, hívja az 1300 274 447 számot, küldjön emailt a [salesenquiries@briggsandstratton.com.au](mailto:salesenquiries@briggsandstratton.com.au) email címre, vagy írjon levelet a Briggs & Stratton Australia Pty Ltd, 1 Moorebank Avenue, Moorebank, NSW, Australia, 2170 címre.

▲ Nincs garancia az olyan berendezések motorjaira, melyeket közmű helyett elsődleges áramforrásként vagy kereskedelmi célokból készítené generátorokban használnak. Versenyen vagy kereskedelmi illetve bérelt pályákon használt motorokra nem vonatkozik a garancia.

■ Készletli generátorokban alkalmazott Vanguard motor: 2 éves fogyasztói használat esetén, nem jövedelemszerzési célú használatra vonatkozó garancia. Kisteherautókban alkalmazott Vanguard motor: 2 éves fogyasztói használat esetén, 2 éves jövedelemszerzési célú használat esetén. 3 hengeres folyadékhűtésű Vanguard motor: lásd Briggs & Stratton 3/LC motortulajdonos garanciális nyilatkozata.

Az első kiskereskedelmi vagy kereskedelmi fogyasztó vásárlásának dátumával kezdődik a garanciális időszak. A "fogyasztói használat" kiskereskedelmi fogyasztó általi saját háztartásbeli használatot jelent. Minden egyéb használat a kereskedelmi, jövedelemtermelő vagy bérbeadási célú használatot beleértve "kereskedelmi használatnak" minősül. Ha egyszerű kereskedelmi használatba került a motor, akkor attól kezdve garanciális szempontból kereskedelmi használatúnak tekintett a motor.

**Örizzze meg bizonyítékként a blokkot. Ha nem rendelkezik az eredeti vásárlás dátumát bizonyító bizonyítékkal, akkor a garanciális szervizelés igénylésekor a termék gyártási dátuma szolgál a garanciális időszak meghatározásának alapjául. Termékre regisztráció nem szükséges a garanciális szerviz igénybevételéhez Briggs & Stratton termékek esetén.**

## A garanciájáról

E korlátozott garancia csupán s motorral kapcsolatos anyagokra és/vagy megmunkálásra terjed, de nem az olyan berendezés cseréjére vagy árának visszatérítésre, melybe esetleg a motort szerelték. A rendszeres karbantartásra, beszállítókra, beállításokra, vagy normál kopásra illetve szakadásra nem terjed ki a garancia. Hasonlóképpen nem alkalmazható a garancia a motor megváltoztatás, módosítása vagy a motor sorozatszámának összefirkálása vagy eltávolítása esetén. E garancia nem foglalja magában felújított, használt vagy mintául szolgáló berendezéseket vagy motorokat. Nem vonatkozik e garancia olyan motorkárookra vagy teljesítmény problémákra, melyek okai a következők:

- 1 Nem eredeti Briggs & Stratton alkatrészek használata;
- 2 A motor elégtelen, szennyezett vagy nem megfelelő konzisztencia besorolású kenőolajjal való működtetése;
- 3 Szennyezett vagy állott üzemanyag, 10%-nál nagyobb etanoltartalmú benzin használata, vagy alternatív üzemanyagok használata, mint cseppfolyósított szénhidrogén vagy földgáz használata olyan motorokban, melyeket eredetileg nem ilyen üzemanyagokkal való működésre tervezett/gyártott a Briggs & Stratton;
- 4 Nem megfelelő levegőszűrő karbantartás vagy visszaszerelés miatt a motorba jutott szennyeződés;

- 5 A forgóképes fűnyíró késének egy tárgynak ütközése, laza vagy nem megfelelően felszerelt késadapterek, turbinakerekék vagy más főtengellyel összekötött eszközök, továbbá túl nagy ékszj szorosság;
- 6 Nem a Briggs & Stratton által gyártott tartozékok vagy részegységek, mint tengelykapcsolók, sebességváltók, berendezés kezelőszervek stb.
- 7 Lenyírt fűdarabok, szennyeződés, nyesedék vagy rágcsáló bűvőhelyanyagai miatti túlmelegedés, melyek eldugaszolják illetve eltömítik a hűtőbordákat vagy a lendkerék környékét, továbbá a motornak megfelelő szellőzés nélküli működtetése;
- 8 Értéken felüli sebességgel történő működtetés, laza motorrögítés, laza illetve kiegyensúlyozatlan vágókéseknek vagy turbináknak, továbbá a berendezés alkotóelemeinek nem megfelelő főtengely csatlakozása miatt fellépő túlzott vibráció;
- 9 Nem rendeltetésszerű használat, a rendszeres karbantartás hiánya, a berendezés szállítása, kezelése vagy raktározása, ill. nem megfelelő motor beszerelés.

**Garanciális szervizszolgáltatás végzése csak Hivatalos Briggs & Stratton Corporation szervizállomáson keresztül lehetséges. A [BRIGGSandSTRATTON.COM](http://BRIGGSandSTRATTON.COM) című webhelyen található ügyfélszolgálati térképünkön keresse meg a legközelebbi Hivatalos szervizállomást, vagy hívja az 1-800-233-3723 (az Egyesült Államokban) telefonszámot.**

## Bendra informacija

Šioje instrukcijoje yra saugumo informacija apie pavojus ir riziką kuriuos kelia varikliai ir kaip jų išvengti. Joje taip pat yra patalpinta informacija apie teisingą variklio naudojimą ir aptarnavimą. Kadangi Briggs & Stratton nežino kurioje įrangoje bus naudojamas tam tikras variklis, Jūs turite atidžiai perskaityti ir suprasti šią ir įrangos instrukcijas.

**Išsaugokite šias originalias instrukcijas ateičiai.**

Žemiau užsirašykite variklio modelį, tipą, kodus ir įsigijimo datą. Šie skaičiai bus reikalingi naujų dalių užsakymui arba remontui atlikti. Šie skaičiai yra užrašyti ant Jūsų variklio (žiūrėkite **Savybės ir valdymas** skyrių).

Įsigijimo data: \_\_\_\_\_  
Mėnuo/Diena/Metai

Variklio modelis: \_\_\_\_\_  
Modelis:                      Tipas:                      Kodas:

**Galingumo kategorijos:** Kiekvieno benzininio variklio modelio galingumo kategorija yra nusakoma SAE (Society of Automotive Engineers - Automobilių projektuotojų sąjunga) kodu Nr. J1940 (Mažų variklių galingumo ir sukimo momento įvertinimo procedūra), ir vertinama pagal SAE J1995. Sukimo momento reikšmės varikliams, ant kurių nurodyta „rpm“ (aps. per min.), yra pamatuotos prie 2 600 aps./min., o visų kitų variklių prie 3 060 aps./min.; arkljo jėgų reikšmės yra pamatuotos prie 3 600 aps./min. Galingumo kreivės yra pateiktos tinklalapyje [www.BRIGGSandSTRATTON.COM](http://www.BRIGGSandSTRATTON.COM). Grynosios galingumo reikšmės yra pamatuotos instaliavus išmetimo dujų ir oro valymą, o bendrosios galingumo reikšmės yra nustatytos be šių priedų. Reali bendroji variklio galia bus aukštesnė nei grynoji variklio jėga ir priklausys, tarp kitų veiksnių, nuo darbo aplinkos sąlygų ir variklių modifikacijos. Dėl plataus įrangos, kurioje yra įrengti varikliai, asortimento, veiksnių, jūsų įsigytas benzininis variklis gali neišvystyti nurodytų arkljo jėgų, jį naudojant vienoje arba kitoje įrangoje. Šis skirtumas atsiranda dėl daugelio veiksnių, įskaitant, bet neapsiribojant jais, skirtingas variklio dalis (oro valymas, dujų išmetimas, baterijos krovimas, aušinimas, kuro tiekimas, kuro siurblys ir t. t.), naudojimo apribojimai, naudojimo sąlygos (temperatūra, drėgmė, altitudė), variklio modifikacija. Dėl gamybos apimčių apribojimo „Briggs & Stratton“ gali pakeisti didesnio galingumo variklį šios serijos varikliu.

## Operatoriaus saugumas

### SAUGUMO IR KONTROLINIAI SIMBOLIAI



Saugumo ženklas yra naudojamas apibūdinti saugumo informaciją apie pavojus, kurių pasekmė gali būti trauma. Žodžiai (PAVOJAUS, DĖMESIO, ĮSPĖJIMAS) naudojami su ženklais apibūdinti galimybę gauti kelias traumas. Taip pat pavojaus ženklas gali būti naudojamas pavojaus tipui apibūdinti.

**PAVOJAUS ženklas** nusako pavojų, kurio pasekmė gali būti mirtis arba rimta trauma.

**DĖMESIO ženklas** nusako pavojų, kurio, jo nepaisymo atveju, pasekmė gali būti mirtis arba rimta trauma.

**ĮSPĖJIMAS** nusako pavojų, kurio nepaisant, gali kilti mažesnė arba didesnė trauma.

**PASTABA** nurodo situaciją, kai gali būti sugadintas variklis.

**DĖMESIO**  
Tam tikri šio produkto komponentai bei papildoma įranga turi savo sudėtyje chemines medžiagas kurios gali sukelti vėžį bei neigiamai įtakoti sveikatą. Nuplaukite rankas po naudojimosi.

**DĖMESIO**  
Variklio išmetamosios dujos turi savo sudėtyje cheminių medžiagų, žinomų Kalifornijos valstijoje, kaip sukeliančias vėžį, apsigimimus arba kitaip veikiančias paveldimumą.

**DĖMESIO**  
Briggs & Stratton™ varikliai nėra skirti ir negali būti naudojami kaip energijos tiekimo šaltinis: pramoginiams kartingams, gokartams, vaikiškiems, pramogų ar sportiniams triračiams, keturračiams motociklams (ATVs); motociklams, transporto priemonėms su oro pagalve, skraidymo aparatams arba „Briggs & Stratton“ nepatvirtintoms transporto priemonėms, naudojamoms lenktynėse. Daugiau informacijos apie produktus lenktynėms ieškokite interneto svetainėje [www.briggsracing.com](http://www.briggsracing.com). Dėl naudojimo universalioms transporto priemonėms arba su triračiais, keturračiais motociklais (ATVs) prašome kreiptis į „Briggs & Stratton“ variklių taikymo centrą tel. 1-866-927-3349. Variklio naudojimas ne pagal paskirtį gali sukelti sunkius sužeidimus ar net mirtį.

**PASTABA:** Jūs gaunate variklį iš Briggs & Stratton be alyvos. Patikrinkite alyvos lygį prieš variklio užvedimą. Jeigu bandysite užvesti variklį be alyvos, jis bus sugadintas ir Jūs neteksite garantijos.



## DĖMESIO



Kuras ir jo garai yra labai degūs ir gali sprogti. Ugnis arba sproginimas gali jus nudeginti arba užmušti.

### Pildami benzina

- Išjunkite variklį ir, prieš nuimdami kuro bako kamštį, leiskite varikliui bent 2 min. atvėsti.
- Pilkite kurą į baką tik lauke arba labai gerai vėdinamoje patalpoje.
- Neperpilkite kuro bako. Kadangi kuras gali plėstis, nepilkite virš apatinės kaklelio ribos.
- Laikykite kurą kuo toliau nuo kibirkščių, atviros ugnies, karščio ir kitų ugnies šaltinių.
- Pastoviai tikrinkite kuro žarneles, baką, dangtį ir bako tvirtinimus tam, kad nebūtų jokių plyšių ar kuro nutekėjimo. Jei reikia, pakeiskite susidėvėjusias ar pažeistas dalis.
- Jeigu kuras išsilieja, prieš vesdami variklį, palaukite, kol jis išgaruos.

### Prieš įjungiant variklį

- Patikrinkite ar uždegimo žvakė, duslintuvas, kuro bako dangtis ir oro filtras (jeigu toks yra) yra savo vietose.
- Neveskite variklio esant išsuktai uždegimo žvakei.
- Jeigu variklio karbiuratoriuje yra kuro perteklius, nustatykite droselį (jeigu toks yra) į OPEN/RUN padėtį, nustatykite reguliatorių (jeigu toks yra) į fast padėtį ir veskite variklį iki užsives.

### Dirbant su įranga

- Neverskite variklio arba įrangos ant šono, nes gali išsilieti kuras.
- Nebandykite droseliu sustabdyti variklio.
- Niekada neveskite ir nedirbkite su varikliu, kuriame nėra oro filtro mazgo (jeigu toks yra) arba oro filtro (jeigu toks yra).

### Keisdami alyvą

- Jeigu Jus išpilate alyvą per alyvos įpylimo vamzdelį, kuro bakas turi būti tuščias, nes kuras gali išsilieti ir sukelti gaisrą arba sproginimą.

### Įrangos vertimas aptarnavimui atlikti

- Atlikinėdami aptarnavimą, kai įranga turi būti apversta, įsitikinkite kad kuro bakas yra tuščias, nes gali išsilieti kuras ir įvykti gaisras arba sproginimas.

### Transportuojant įrangą

- Transportuoti įrangą galima tik esant TUŠČIAM kuro bakui arba su uždaryta kuro sklende i

### Sandėliuojant kurą arba įrangą su kuru bake

- Laikykite kuo toliau nuo krosnių, voryklių, vandens šildytuvų arba kitos įrangos, kuri veikia esant atvirai liepsnai, nes gali užsiliepsnoti kuro garai.



## DĖMESIO



Vedamas variklis sukelia kibirkštį. Kibirkštis gali uždegti netoliese esančius degius garus arba dujas. Gali įvykti sproginimas ir kilti gaisras.

- Jeigu netoliese yra gamtinių ar suskystintų dujų nutekėjimas, nbandykite vesti variklio.
- Nenaudokite koncentruotų paleidimo skysčių varikliui užvesti, nes jų garai yra lengvai užsiliepsnojantys.



## DĖMESIO



**NUODINGŲ DUJŲ PAVOJUS.** Variklio išmetamųjų dujų sudėtyje yra anglies monoksidas, nuodingos dujos kurios gali nužudyti. Jos yra nematomos, bekvapės ir beskonios. Net jeigu jus nejauciate išmetamųjų dujų garus, Jūs vis tiek esate veikiami anglies monoksido dujomis. Jeigu Jums darosi silpna arba svaigsta galva, naudojant šį produktą, išjunkite jį ir nedelsdami išeikite į gryną orą. Apsilankykite pas daktarą. Jūs galite būti apsinuodę anglies monoksidu.

- Naudokite šį produktą TIK lauke kuo toliau nuo langų, durų arba ventiliacinių angų, tam kad sumažinti anglies monoksido susikaupimo ir patekimo riziką į uždarus plotus.
- Sumontuokite maitinimo elementų valdomus arba prijungtus prie elektros tinklo (su maitinimo elementų palaikymu) anglies monoksido detektorius pagal gamintojo instrukciją. Dūmo detektoriai negali aptikti anglies monoksido dujų.
- Nenaudokite šio produkto namuose, garažuose, rusiuose, angaruose arba kituose dalinai uždaruose plotuose, net jeigu juose yra naudojami ventiliatoriai arba atidaromos durys arba langai. Anglies monoksidas greitai kaupiasi tokiose vietose ir gali užsilaikyti kelias valandas, net jeigu šis produktas yra išjungtas.
- VISADA orientuokite produktą pavėjui ir kreipkite variklio išmetamųjų dujų vamzdį nuo uždarytų plotų.



## DĖMESIO



Greitas starterio susisukimas gali patraukti ranką greičiau, negu jūs spėsite paleisti rankenėlę. Jums gali lūžti kaulai, atsirasti nubrozdinimai, sumušimai ir pasitempti sausgyslės.

- Norėdami užvesti variklį, lėtai traukite už virvės kol pajusite pasipriešinimą, o tada staigiu ir greitu judėsiu užveskite variklį.
- Prieš pradėdami vesti variklį, pasistenkite pašalinti visą variklio/įrangos apkrovą.
- Įranga, tiesiogiai tvirtinama prie variklio, kaip pvz.: peiliai, skriemuliai, krumpliaraičiai ir t.t., turi būti patikimai fiksuota.



## DĖMESIO



Besisukančios dalys gali įtraukti rankas, kojas, plaukus, aprangą arba kokį daiktą. Jums gali traumuoti ar net nuplėšti ranką arba koją.

- Naudokitės įranga tik esant apsaugoms savo vietoje.
- Nelieskite rankomis ir kojomis besisukančių dalių.
- Pariškite ilgus plaukus ir nusiimkite papuošalus.
- Nesivilkite laisvų rūbų su laisvai kabančiais diržais arba kitais aksesuarais, kurie variklio gali būti įtraukti.



## DĖMESIO



Veikiantys varikliai skleidžia šilumą. Variklio dalys, ypač duslintuvas, labai įkaista.



Neatsargiai prisilietę, galite nudegti.

Susikaupusios lengvai užsiliepsnojančios medžiagos, tokios kaip lapai, žolė ir t.t. gali užsidegti.

- Leskite duslintuvui, variklio cilindrai ir briaunoms atvėsti prieš jas liesdami.
- Išvalykite žolę aplink duslintuvą ir cilindrą.
- Naudojimasis varikliu miške, krumuose arba vėjoje be kibirkšties gaudiklio išmetimo sistemoje yra Kalifornijos vasiltijos viešųjų išteklių kodekso, 4442 skyriaus pažeidimas. Kitose valstijose gali galioti panašūs įstatymai. Jus galite įsigyti kibirkšties gaudyklį, pritaikytą Jūsų išmetimo sistemai, pas originalios įrangos gamintoją, pardavėją arba atstovą.



## DĖMESIO



Netyčia atsiradusi kibirkštis gali sukelti gaisrą arba elektros smūgį. Atsitiktinis variklio paleidimas gali jus sunkiai traumuoti. Ugnies pavojus



### Prieš variklio reguliavimą ir taisymą:

- Atjunkite uždegimo žvakės laidą ir laikykite jį toliau nuo uždegimo žvakės.
- Atjunkite akumuliatorių (varikliuose su elektriniu užvedimu).
- Naudokite tik specialius įrankius.
- Nelieskite reguliatoriaus spyruoklės arba kitų variklio dalių, galinčių paveikti variklio greitį.
- Atsarginės dalys turi būti vienodos ir sumontuotos toje pačioje vietoje kur buvo sumontuotos originalios dalys. Neoriginalios dalys gali sugadinti įrangą, pabloginti jos veikimą, traumuoti Jus.
- Nedaužykite smagračio plaktuku arba kietu daiktu. Jis gali subyrėti.

### Kibirkšties tikrinimas:

- Naudokite patvirtintą žvakės testerį.
- Netikrinkite kibirkšties esant išsuktai uždegimo žvakei.

# Savybės ir valdymo elementai

Apžiūrėkite paveikslėlį **1** kuriame pavaizduotas variklis ir savo variklį kad susipažinti su jo savybėmis ir valdymo elementais.

- A. Variklio identifikacija  
**Modelis Tipas Kodas**
- B. Uždegimo žvakė
- C. Oro filtras
- D. Alyvos lygio matuoklis/Įpylimo anga
- E. Alyvos filtras (papildoma įranga)
- F. Karterio kamštis
- G. Alyvos slėgio daviklis
- H. Smagračio apsauga
- I. Elektros starteris
- J. Rankinis starteris (papildoma įranga)
- K. Karbiuratorius
- L. Išmetimo kolektorius
- M. Kuro siurblys
- N. Kuro filtras (papildoma įranga)
- O. Alyvos aušintuvas (papildoma įranga)
- P. Duslintuvas (papildoma įranga)

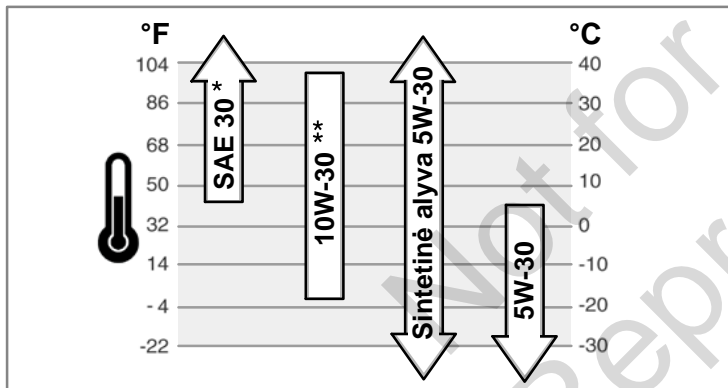
## Veikimas

Alyvos talpa (ieškokite **Techninė informacija** skyriuje)

### Alyvos Rekomendacijos

Geresniam variklio veikimui mes rekomenduojame naudoti tik Briggs & Stratton sertifikuotas alyvas. Galima naudoti aukštos kokybės alyvą, klasifikuotą kaip "SF, SG, SH, SJ" klases, arba aukštesnes klases. Nenaudokite jokių specialių priedų alyvoms.

Alyvos klampumas priklauso nuo aplinkos temperatūros. Lentelėje parinkite alyvos klampumą, atitinkantį jūsų gyvenamosios vietos oro sąlygas.



\* Jeigu SAE 30 alyva yra naudojama žemiau negu 40°F (4°C) temperatūroje, variklį bus sunkiau užvesti.

\*\* 10W-30 alyvos naudojimas esant temperatūrai aukščiau 80°F (27°C) privers variklį sunaudoti daugiau alyvos. Dažniau tikrinkite alyvos lygį.

### Kaip patikrinti alyvos lygį/Įpilti alyvos - Pav. 2

Prieš alyvos įpylimą ir jos lygio tikrinimą

- Pastatykite variklį horizontaliai.
- Išvalykite alyvos įpylimo vietą nuo purvo.
- 1. Išsukite alyvos lygio matuoklį (A) ir išvalykite jį švari audeklu (Pav. 2).
- 2. Įdėkite alyvos lygio matuoklį iki galo.
- 3. Išsukite matuoklį ir patikrinkite alyvos lygį. Alyvos lygis turi būti ties full žyme (B) matuoklyje.
- 4. Jeigu alyvos lygis yra žemas, lėtai įpilkite alyvą į variklį (C). **Neperpilkite.** Palaukite vieną minutę ir patikrinkite alyvos lygį.
- 5. Įdėkite alyvos lygio matuoklį iki galo.

### Apsaugos sistema nuo nepakankamo alyvos kiekio (jeigu yra sumontuota)

Tam tikruose varikliuose yra įrengtas nepakankamo alyvos kiekio daviklis. Jeigu variklyje yra nepakankamai alyvos, daviklis aktyvuos įspėjimo lemputę arba sustabdys variklį. Sustabdykite variklį ir atlikite sekančius žingsnius prieš paleisdami variklį.

- Įsitinkite kad variklis yra horizontalioje padėtyje.
- Patikrinkite alyvos lygį. Perskaitykite skyrių **Kaip tikrinti alyvos lygį/Įpilti alyvą.**
- Jeigu alyvos lygis yra žemas, įpilkite alyvos. Užveskite variklį ir įsitinkite kad įspėjimo lemputė (jeigu tokia yra) nedega.

- Jeigu alyvos lygis nėra žemas, **neveskite** variklio. Susisieki su įgaliotu Briggs & Stratton serviso atstovu. Jis išspręs alyvos problemą.

### Kuro rekomendacijos

**Benzinas turi atitikti šiuos reikalavimus:**

- Švarus, šviežias neetiluotas benziną.
- Minimalus oktaniškas skaičius - 87/87 AKI (91 RON). Darbai aukštumose, žiūrėkite žemiau.
- Benziną, kurio sudėtyje yra iki 10 % etanolio (gasoholio), yra priimtinas.

**ĮSPĖJIMAS:** Nenaudokite nesertifikuotą benziną, tokį kaip E15 ir E85. Nemašykite benzino su alyva ir nebandykite perdaryti variklio, kad jis būtų varomas kitu kuru. Dėl netinkamo kuro naudojimo variklio dalys bus sugadintos ir Jūs neteksite garantijos.

Tam kad apsaugoti kuro sistemą nuo nusidėvėjimo, sumaišykite benziną su kuro stabilizatoriumi. Perskaitykite skyrių **Sandėliavimas**. Benziną nėra vienodas. Jeigu variklis blogai veiks, pakeiskite kuro tiekėją arba benzino markę. Šis variklis yra sertifikuotas naudotis benzinu kaip degalais. Išmetamųjų dujų kontrolės sistemą EM (Variklio modifikacija).

### Darbas kalnuose

Kalnuose virš 5000 pėdų (1524 metrų), reikia naudoti benziną kurio oktaniškas skaičius yra 85 (mažiausiai)/85 AKI (89 RON).

Varikliuose su karbiuratoriais, tam kad variklio išmetimas kalnuose atitiktų aplinkosaugos reikalavimus yra reikalingas reguliavimas. Be reguliavimo variklis blogiau veiks, padidės kuro sąnaudos ir išmetamųjų dujų koncentracija. Norėdami atlikti reguliavimą, susisieki su autorizuotu Briggs & Stratton serviso atstovu. Darbai aukštumose žemiau 762 metrai (2,500 pėdų) didelės altitudės reguliavimas nerekomenduojamas.

Varikliuose su elektronine kuro įpurškimo sistema (EFI) didelės altitudės reguliavimas nėra reikalingas.

### Kaip įpilti benziną - Pav. 3



#### DĖMESIO

**Kuras ir jo garai yra labai degūs ir gali sprogti. Ugnis arba sproginimas gali jus nudeginti arba užmušti.**



#### Pildami benzina

- Išjunkite variklį ir, prieš nuimdami kuro bako kamštį, leiskite varikliui bent 2 min. atvėsti.
- Pilkite kurą į baką tik lauke arba labai gerai vėdinamoje patalpoje.
- Neperpilkite kuro bako. Kadangi kuras gali plėstis, nepilkite virš apatinės kaklelio ribos.
- Laikykitės kurą kuo toliau nuo kibirkščių, atviros ugnies, karščio ir kitų ugnies šaltinių.
- Pastoviai tikrinkite kuro žarneles, baką, dangtį ir bako tvirtinimus tam, kad nebūtų jokių plyšių ar kuro nutekėjimo. Jei reikia, pakeiskite susidėvėjusias ar pažeistas dalis.
- Jeigu kuras išsilies, prieš vesdami variklį, palaukite, kol jis išgaruos.

1. Nuvalykite aplink kuro bako dangtį. Nuimkite dangtį (A, Pav. 3).
2. Įpilkite dyzeliną į kuro baką (B). Kadangi kuras gali plėstis, nepilkite virš apatinės kaklelio ribos (C).
3. Užsukite kuro bako dangtį.

### Kaip užvesti variklį - Pav. 4



#### DĖMESIO

**Greitas starterio susisukimas gali patraukti ranką greičiau, negu jūs spėsite paleisti rankenėlę.**



**Jums gali lūžti kaulai, atsirasti nubrozdinimai, sumušimai ir pasitempti sausgyslės.**

- Norėdami užvesti variklį, lėtai traukite už virvės kol pajusite pasipriešinimą, o tada staigiu ir greitu judėsiu užveskite variklį.



#### DĖMESIO

**Kuras ir jo garai yra labai degūs ir gali sprogti. Ugnis arba sproginimas gali jus nudeginti arba užmušti.**



#### Prieš įjungiant variklį

- Patikrinkite ar uždegimo žvakė, duslintuvas, kuro bako dangtis ir oro filtras (jeigu toks yra) yra savo vietose.
- Neveskite variklio esant išsuktai uždegimo žvakei.
- Jeigu variklio karbiuratoriuje yra kuro perteklius, nustatykite droselį (jeigu toks yra) į OPEN/RUN padėtį, nustatykite regulatorių (jeigu toks yra) į fast padėtį ir veskite variklį iki užsives.



## DĖMESIO






**NUODINGŲ DUJŲ PAVOJUS.** Variklio išmetamųjų dujų sudėtyje yra anglies monoksidas, nuodingos dujos kurios gali nužudyti. Jos yra nematomos, bekvapės ir beskonios. Net jeigu jus nejaučiate išmetamųjų dujų garus, Jūs vis tiek esate veikiami anglies monoksido dujomis. Jeigu Jums darosi silpna arba svaigsta galva, naudojant šį produktą, išjunkite jį ir nedelsdami išeikite į gryną orą. Apsilankykite pas daktarą. Jūs galite būti apsinuodę anglies monoksidu.

- Naudokite šį produktą TIK lauke kuo toliau nuo langų, durų arba ventiliacinių angų, tam kad sumažinti anglies monoksido susikaupimo ir patekimo riziką į uždarus plotus.
- Sumontuokite maitinimo elementų valdomus arba prijungtus prie elektros tinklo (su maitinimo elementų palaikymu) anglies monoksido detektorius pagal gamintojo instrukciją. Dūmo detektoriai negali aptikti anglies monoksido dujų.
- Nenaudokite šio produkto namuose, garažuose, rusiuose, angaruose arba kituose dalinai uždaruose plotuose, net jeigu juose yra naudojami ventiliatoriai arba atidaromos durys arba langai. Anglies monoksidas greitai kaupiasi tokiose vietose ir gali užsilaikyti kelias valandas, net jeigu šis produktas yra išjungtas.
- VISADA orientuokite produktą pavėjui ir kreipkite variklio išmetamųjų dujų vamzdį nuo uždarytų plotų.


**PASTABA:** Jus gaunate variklį iš Briggs & Stratton be alyvos. Patikrinkite alyvos lygį prieš variklio užvedimą. Jeigu bandysite užvesti variklį be alyvos, jis bus sugadintas ir Jus neteksite garantijos.

*Pastaba:* Kai kuriuose varikliuose ir įrangoje yra montuojami nuotoliniai valdymo pultai. Jų padėtį ir veikimo būdą galite rasti įrangos naudojimo instrukcijoje.

- Patikrinkite alyvos lygį. Perskaitykite skyrių **Kaip tikrinti alyvos lygį/pilti alyvą.**
- Įsitinkite kad įrangos kontrolės mechanizmai yra išjungti.
- Pasukite kuro padavimo vožtuvą (A), jeigu toks yra, į on padėtį (Pav. 4).
- Nustatykite stop jungiklį (F), jeigu toks yra, į „on“ (įjungtas) padėtį.
- Nustatykite greičio reguliatorių (B) į fast  padėtį. Dirbkite su varikliu reguliatoriu esant fast  padėtyje.
- Nustatykite droselio reguliatorių (C) į droselio (choke)  padėtį.  
*Pastaba:* Drosėlis dažnai yra nereikalingas, jeigu variklis yra šiltas.
- Rankinis starteris:** Pasukite raktą (D), jeigu toks yra, į run padėtį.
- Rankinis užvedimas:** Paimkite rankinio starterio rankeną (E). Traukite rankinio starterio virvę kol pajusite pasipriešinimą, o tada staigiu judėsiu užveskite variklį.  
*PASTABA:* Jeigu variklis neužsiveda po kelių bandymų, susisiekite su įgaliotu serviso atstovu arba apsilankykite **VanguardEngines.com** or call **1-800-999-9333** (JAV).



**DĖMESIO:** Greitas starterio susisukimas (atatranka) gali patraukti ranką greičiau, negu jūs spėsite paleisti rankenėlę. Jus galite gauti traumą. Užvesdami variklį, lėtai traukite už starterio virvės, kol pajusite pasipriešinimą, o tada staigiu judesiu traukite už virvės.

- Elektrinis starteris:** Įjunkite elektros užvedimo jungiklį (D) į on/start padėtį.  
*PASTABA:* Jeigu variklis neužsiveda po kelių bandymų, susisiekite su įgaliotu serviso atstovu arba apsilankykite **VanguardEngines.com** or call **1-800-999-9333** (JAV).  
*PASTABA:* Tam kad prailginti starterio tarnavimo laiką, naudokite trumpus paleidimo ciklus (maksimaliai penkias sekundes). Palaukite maždaug vieną minutę tarp paleidimo ciklų.
- Kai variklis įšils, nustatykite droselio reguliatorių (C) į run  padėtį.

## Kaip sustabdyti variklį - Pav. 4




## DĖMESIO



**Kuras ir jo garai yra labai degūs ir gali sprogti. Ugnis arba sproginimas gali jus nudeginti arba užmušti.**

- Nebandykite droseliu sustabdyti variklio.

- Nustatykite greičio reguliatorių (B) į slow  (lėtai) padėtį, pasukite jungiklį (D) į off padėtį (Pav. 4). Išimkite raktą ir laikykite jį kuo toliau nuo vaikų.
- Paspauskite stop jungiklį (F), jeigu toks yra, į off padėtį
- Kai variklis sustos, uždarykite kuro padavimo vožtuvą (A), jeigu toks yra.

## Aptarnavimas

Mes rekomenduojame jums naudotis įgalioto Briggs & Stratton serviso atstovo paslaugomis variklio remontui ir dalims įsigyti.

**PASTABA:** Kad variklis gerai veiktų, visos jo dalys turi būti savo vietoje.



**DĖMESIO:** Atlikinėdami aptarnavimą, kai įranga turi būti apversta, įsitinkite kad kuro bakas yra tuščias, nes gali išsilieti kuras ir įvykti gaisras arba sproginimas.

## Išmetimo sistemos kontrolė

**Išmetimo sistemos aptarnavimas, pakeitimas arba remontas gali būti atliktas bet kuriame nenaudojamų automobiliuose variklių aptarnavimo centre.** Tačiau, norėdami išmetimo sistemos aptarnavimą gauti nemokamai, turite kreiptis į įgaliotą atstovą. Perskaitykite Išmetimo sistemos garantiją.



## DĖMESIO



**Netyčia atsiradusi kibirkštis gali sukelti gaisrą arba elektros smūgį.**

**Atsitiktinis variklio paleidimas gali jus sunkiai traumuoti.**



**Ugnis pavojus**



### Prieš variklio reguliavimą ir taisymą:

- Atjunkite uždegimo žvakės laidą ir laikykite jį toliau nuo uždegimo žvakės.
- Atjunkite akumuliatorių (varikliuose su elektriniu užvedimu).
- Naudokite tik specialius įrankius.
- Nelieskite reguliatoriaus spyruoklės arba kitų variklio dalių, galinčių paveikti variklio greitį.
- Atsarginės dalys turi būti vienodos ir sumontuotos toje pačioje vietoje kur buvo sumontuotos originalios dalys. Neoriginalios dalys gali sugadinti įrangą, pabloginti jos veikimą, traumuoti Jus.
- Nedaužykite smagračio plaktuku arba kietu daiktu. Jis gali subyrėti.

### Kibirkšties tikrinimas:

- Naudokite patvirtintą žvakės testerį.
- Netikrinkite kibirkšties esant išsuktai uždegimo žvakei.

## Aptarnavimo lentelė

### Kas 8 valandas arba kasdien

- Tikrinkite alyvos lygį
- Valykite purvą aplink duslintuvą ir valdymo elementus.

### Kas 100 valandų arba kasmet

- Išvalykite arba pakeiskite oro filtrą \*
- Valykite priešfiltrą (jeigu toks yra) \*
- Keiskite variklio alyvą ir filtrą
- Keiskite uždegimo žvakę
- Tikrinkite duslintuvą ir kibirkšties gaudiklį

### Kas 250 valandų arba kasmet

- Tikrinkite vožtuvų tarpelius. Pareguliuokite, jeigu reikia.

### Kas 400 valandų arba kasmet

- Keiskite oro filtrą
- Pakeiskite kuro filtrą
- Valykite variklio aušinimo sistema \*
- Valykite alyvos aušintuvo briaunas \*

\* Jeigu variklis yra naudojamas dulkejoje aplinkoje, valykite dažniau.

## Karbiuratoriaus ir variklio greičio reguliavimas

Niekada nereguliuokite karbiuratoriaus arba variklio greičio. Karbiuratorius yra sureguliuotas gamykloje efektyviausiam naudojimui. Nelieskite reguliatoriaus spyruoklių, jungčių arba kitų dalių tam, kad pakeisti variklio greitį. Jeigu yra reikalingas bet koks reguliavimas, susisiekite su oficialiu Briggs & Stratton serviso atstovu.

**PASTABA:** Įrangos gamintojas nustato variklio maksimalų greitį pagal įrangą kuriame jis yra sumontuotas. **Neviršykite** šio greičio. Jeigu Jūs nesate tikri koks yra įrangos maksimalus greitis arba koks variklio greitis yra nustatytas gamykloje, susisiekite su oficialiu Briggs & Stratton serviso atstovu. Tam kad įranga veiktų saugiai ir teisingai, variklio greitis turi būti reguliuojamas tik kvalifikuotu serviso specialistu.

## Kaip pakeisti uždegimo žvakę - Pav. 5

Patikrinkite uždegimo žvakės tarpelį (A, Pav. 5) su matuokliu (B). Jeigu yra reikalinga, sureguliuokite oro tarpelį. Įdėkite ir priveržkite uždegimo žvakę atitinkama jėga. Ieškokite oro tarpelio ir sukimo momento duomenų skyriuje **Techninė informacija**.

**Pastaba:** Kai kuriose vietovėse vietiniai įstatymai reikalauja naudoti specialias uždegimo žvakes su varžomis, kurios slopina uždegimo signalus. Jeigu jūsų variklyje yra tokios žvakės, naudokite tokias pačias žvakes ir keitimui.

## Apžiūrėkite duslintuvą ir kibirkščių gaudyklį - Pav. 6



### DĖMESIO



Veikiantys varikliai skleidžia šilumą. Variklio dalys, ypač duslintuvas, labai įkaista.



Neatsargiai prisilietę, galite nudegti.



Susikaupusios lengvai užsiliepsnojančios medžiagos, tokios kaip lapai, žolė ir t.t. gali užsidegti.

- Leskite duslintuvui, variklio cilindrai ir briaunoms atvėsti prieš jas liesdami.
- Išvalykite žolę aplink duslintuvą ir cilindrą.
- Naudojimas varikliu miške, krumuose arba vėjoje be kibirkšties gaudyklės išmetimo sistemoje yra Kalifornijos vasliųjų išteklių kodekso, 4442 skyriaus pažeidimas. Kitose valstijose gali galioti panašūs įstatymai. Jus galite įsigyti kibirkšties gaudyklį, pritaikytą Jūsų išmetimo sistemai, pas originalios įrangos gamintoją, pardavėją arba atstovą.

Pašalinkite susikaupusį purvą nuo duslintuvo ir aplink cilindrą. Įsitinkite, kad ant duslintuvo (A, Pav. 6) nėra plyšių, rudžių ir jis nėra pažeistas. Nuimkite kibirkščių gaudyklį (B), jeigu toks yra, ir įsitinkite, kad jis nėra pažeistas arba užterštas. Jeigu radote pažeidimus, pakeiskite detales prieš įrangos naudojimą.



**DĖMESIO:** Atsarginės dalys turi būti vienodos ir sumontuotos toje pačioje vietoje kur buvo sumontuotos originalios dalys. Neoriginalios dalys gali sugadinti įrangą, pabloginti jos veikimą, traumoti Jus.

## Kaip pakeisti alyvą - Pav. 7 8 9 10

Naudota alyva yra pavojingas produktas. Elkitės su ja atsargiai. Neutilizuokite kartu su kitomis namų ūkio atliekomis. Teiraukitės jūsų vietinės valdžios, aptarnavimo centro arba serviso atstovo, kur galima utilizuoti/panaudotą alyvą.

### Alyvos išpylimas

1. Kol variklis yra šiltas, atjunkite uždegimo žvakės laidą (A) ir laikykite jį toliau nuo uždegimo žvakės (Pav. 7).
2. Išsukite alyvos išpylimo kamštį (B, Pav. 8). Išpilkite alyvą į atitinkamą talpą.
3. Kai išpilsite visą alyvą, užsukite kamštį.

### Pakeiskite alyvos filtrą (jeigu toks yra)

Kai kuriuose modeliuose yra alyvos filtras. Jo keitimo dažnumą galima rasti **Aptarnavimo** lentelėje.

1. Išpilkite alyvą iš variklio. Žiūrėkite skyrių **Alyvos išpylimas**.
2. Išsukite alyvos filtrą (C) ir utilizuokite jį pagal aplinkosaugos reikalavimus. Žiūrėkite Pav. 9.
3. Prieš įdėdami naują alyvos filtrą, sutepkite jo tarpinę šviežia alyva.
4. Užsukite alyvos filtrą ranka kol tarpinė palies oro filtro adapterį, po to padarykite dar nuo 1/2 iki 3/4 apskūrimo.
5. Įpilkite alyvą. Žiūrėkite skyrių **Alyvos išpylimas**.
6. Užveskite variklį. Kai jis išils, apžiūrėkite jį, kad nebūtų alyvos nutekėjimų.
7. Sustabdykite variklį ir patikrinkite alyvos lygį. Alyvos lygis turi būti ties full žyme (F) matuoklyje (Pav. 10).

### Alyvos įpylimas

- Pastatykite variklį horizontaliai.
  - Išvalykite alyvos įpylimo vietą nuo purvo.
  - Perskaitykite **Techninė informacija** skyrių, kuriame yra parašyta variklio alyvos talpa.
1. Išsukite alyvos lygio matuoklį (D) ir išvalykite jį švariu audeklu (Pav. 10).
  2. Lėtai įpilkite alyvą į alyvos įpylimo angą (E). **Neperpilkite**. Po įpylimo palaukite vieną minutę ir patikrinkite alyvos lygį.
  3. Įdėkite ir užsukite alyvos lygio matuoklį
  4. Išsukite matuoklį ir patikrinkite alyvos lygį. Alyvos lygis turi būti ties full žyme (F) matuoklyje.
  5. Įdėkite ir užsukite alyvos lygio matuoklį

## Kaip aptarnauti oro filtrą - Pav. 11



### DĖMESIO

Kuras ir jo garai yra labai degūs ir gali sprogti. Ugnis arba sprogimas gali jus nudeginti arba užmušti.

- Niekada neveskite ir nedirbkite su varikliu, kuriame nėra oro filtro mazgo (jeigu toks yra) arba oro filtro (jeigu toks yra).

**PASTABA:** Filtro valymui nenaudokite suspausto oro arba tirpiklių. Suspaustas oras gali pažeisti oro filtrą; tirpikliai - sugadinti.

Jų keitimo dažnumą ieškokite **Aptarnavimo lentelėje**.

1. Atidarykite fiksatorius (A) ir nuimkite dangtį (B). Žiūrėkite Pav. 11.
2. Atsukite veržlę (D) ir nuimkite laikiklį (E).
3. Išimkite oro filtrą (F).
4. Išimkite priešfiltrą (G), jeigu toks yra, iš filtro.
5. Norėdami išvalyti filtrą nuo žolės, lengvai suduokite juo per kietą paviršių. Jeigu filtras yra labai nešvarus, įdėkite naują filtrą.
6. Išplaukite priešfiltrą vandenyje su valymo priemone. Išdžiovinkite jį. **Nemirkykite** jį alyvoje.
7. Įdėkite išdžiovintą priešfiltrą į filtrą.
8. Sumontuokite oro filtrą ir pritvirtinkite jį laikikliu ir veržle.
9. Sumontuokite dangtį.

## Kaip pakeisti kuro filtrą - Pav. 12



### DĖMESIO

Kuras ir jo garai yra labai degūs ir gali sprogti. Ugnis arba sprogimas gali jus nudeginti arba užmušti.

- Laikykite kurą kuo toliau nuo kibirkščių, atviros ugnies, karščio ir kitų ugnies šaltinių.
- Pastoviai tikrinkite kuro žarneles, baką, dangtį ir bako tvirtinimus tam, kad nebūtų jokių plyšių ar kuro nutekėjimo. Jei reikia, pakeiskite susidėvėjusias ar pažeistas dalis.
- Prieš kuro filtro pakeitimą išpilkite kurą iš bako arba uždarykite kuro padavimo vožtuvą.
- Atsarginės dalys turi būti vienodos ir sumontuotos toje pačioje vietoje kur buvo sumontuotos originalios dalys.
- Jeigu kuras išsilies, prieš vesdami variklį, palaukite, kol jis išgaruos.

1. Prieš kuro filtro (A, Pav. 12) pakeitimą, jeigu toks yra įrengtas, išpilkite kurą iš bako arba uždarykite kuro padavimo vožtuvą. Kitaip kuras gali išbėgti ir sukelti gaisrą arba sprogimą.
2. Replėmis paimkite kilpas (B) esančias ant gnybtų (C) ir nuimkite gnybtus nuo kuro filtro. Pasukinėkite ir atjunkite kuro žarnas (D) nuo kuro filtro.
3. Apžiūrėkite kuro žarnas. Pakeiskite jas jeigu pastebėjote plyšius arba įtrukimus.
4. Pakeiskite kuro filtrą nauju originaliu.
5. Užspauskite kuro žarnas gnybtais kaip yra parodyta.

## Kaip išvalyti oro aušinimo sistemą - Pav. 13



### DĖMESIO

Veikiantys varikliai skleidžia šilumą. Variklio dalys, ypač duslintuvas, labai įkaista.

Neatsargiai prisilietę, galite nudegti.

Susikaupusios lengvai užsiliepsnojančios medžiagos, tokios kaip lapai, žolė ir t.t. gali užsidegti.

- Leskite duslintuvui, variklio cilindrai ir briaunoms atvėsti prieš jas liesdami.
- Išvalykite žolę aplink duslintuvą ir cilindrą.

**PASTABA:** Nevalykite variklio vandeniu. Vanduo gali patekti į kurą. Valymui naudokite šepetį arba švarų audeklą.

Šis variklis yra aušinamas oru. Purvas ir žolė gali užkimšti oro aušinimo sistemą ir variklis gali perkaisti, kas sąlygos prastą variklio darbą ir sutrumpins jo tarnavimo laikotarpį.

Šepėčiu arba sausu audeklu valykite smagračio apsaugą (A). Palaikykite jungtis, spyruokles ir valdymo organus (B) švaroje. Duslintuvas ir plotas aplink jį (C) turi būti švarus (Pav. 13). Alyvos aušintuvo briaunos (D) taip pat turi būti švarios.

## Sandėliavimas



### DĖMESIO

Kuras ir jo garai yra labai degūs ir gali sprogti.  
Ugnis arba sproginimas gali jus nudeginti arba užmušti.

#### Sandėliuojant kurą arba įrangą su kuru bake

- Laikykite kuo toliau nuo krosnių, viryklių, vandens šildytuvų arba kitos įrangos, kuri veikia esant atvirai liepsnai, nes gali užsiliepsnoti kuro garai.

#### Kuro sistema

Benzinas gali pasenti jeigu jis yra saugomas virš 30 dienų. Pasenusiame benzine gali

atsirasti kenksmingos kuro sistemai nuosėdos. Tam kad kuras liktų šviežias naudokite **Briggs & Stratton Advanced Formula Fuel Treatment & Stabilizer**, kuro stabilizatorių, kurį galima įsigyti parduotuvėse, kuriose yra parduodamos originalios Briggs & Stratton dalys.

Jeigu į benzina yra įpiltas kuro stabilizatorius, jį galima palikti variklyje. Prieš sandėliavimą, užveskite variklį ir palaukite apie 2 min. kol stabilizatorius pasiskleis po visą kuro sistemą.

Jeigu į benzina nebuvo įpiltas kuro stabilizatorius, išpilkite jį į atitinkamą talpą. Užveskite variklį ir palaukite kol baigsis benzinas. Mes rekomenduojame įpilti kuro stabilizatorių į benzino saugojimo talpą, benzinas liks šviežias.

#### Variklio alyva

Keiskite variklio alyvą kol variklis yra šiltas.

#### Gedimas

Reikalinga pagalba? Aplankykite **VanguardEngines.com** arba paskambinkite **1-800-999-9333 (JAV)**.

## Specifikacija

Variklio techninė informacija	
Modelis	290000
Tūris	29,23 ci (479 cc)
Cilindro skersmuo	2,677 in (68 mm)
Cilindro eiga	2,598 in (66 mm)
Alyvos talpa	46 - 48 oz (1,36 - 1,42 L)

Variklio techninė informacija	
Modelis	300000
Tūris	29,23 ci (479 cc)
Cilindro skersmuo	2,677 in (68 mm)
Cilindro eiga	2,598 in (66 mm)
Alyvos talpa	46 - 48 oz (1,36 - 1,42 L)

Variklio techninė informacija	
Modelis	350000
Tūris	34,78 ci (570 cc)
Cilindro skersmuo	2,835 in (72 mm)
Cilindro eiga	2,756 in (70 mm)
Alyvos talpa	46 - 48 oz (1,36 - 1,42 L)

Variklio techninė informacija	
Modelis	380000
Tūris	38,26 ci (627 cc)
Cilindro skersmuo	2,972 in (75,5 mm)
Cilindro eiga	2,756 in (70 mm)
Alyvos talpa	46 - 48 oz (1,36 - 1,42 L)

Techninė reguliavimo informacija *	
Modelis	290000, 300000
Uždegimo žvakės tarpelis	0,030 in (0,76 mm)
Uždegimo žvakės užsukimo momentas	180 lb-in (20 Nm)
Oro tarpelis tarp indukcinės ritės/smagračio	0,008 - 0,012 in (0,20 - 0,30 mm)
Įsiurbimo vožtuvo laisvumas	0,004 - 0,006 in (0,10 - 0,15 mm)
Išmetimo vožtuvo laisvumas	0,004 - 0,006 in (0,10 - 0,15 mm)

Techninė reguliavimo informacija *	
Modelis	350000, 380000
Uždegimo žvakės tarpelis	0,030 in (0,76 mm)
Uždegimo žvakės užsukimo momentas	180 lb-in (20 Nm)
Oro tarpelis tarp indukcinės ritės/smagračio	0,008 - 0,012 in (0,20 - 0,30 mm)
Įsiurbimo vožtuvo laisvumas	0,004 - 0,006 in (0,10 - 0,15 mm)
Išmetimo vožtuvo laisvumas	0,004 - 0,006 in (0,10 - 0,15 mm)

\* Variklio galingumas mažės 3,5% kas 1000 pėdų (300 metrų) virš jūros lygio ir 1% kas 10° F (5,6° C) virš 77° F (25° C). Variklis veiks patenkinamai plokštumoje iki 15° kampo. Naudojimo instrukcijoje rasite saugos instrukcijas leistinam darbui nuokalnėse.

### Bendro naudojimo dalys ✓

Atsarginė dalis	Dalies numeris
Oro filtras - visi kiti modeliai išskyrus: 358700, 380000	394018
Oro filtras - modelis: 358700, 380000	692519
Oro filtro priešfiltras - visi kiti modeliai išskyrus: 358700, 380000	272490
Oro filtro priešfiltras - modelis: 358700, 380000	692520
Alyva - SAE 30	100028
Alyvos filtras - 6 cm ilgio	492932
Alyvos filtras - 9 cm ilgio	491056

Atsarginė dalis	Dalies numeris
Kuro filtras - su kuro baku	808116
Kuro filtras - su kuro siurbliu	691035
Kuro filtras - be kuro siurblio	298090
„Advanced Formula“ kuro valymo priemonė ir stabilizatorius	100117, 100120
Rezistorinė uždegimo žvakė	491055
Ilgą naudojimo platininė uždegimo žvakė	5066
Uždegimo žvakės raktas	19374
Kibirkšties testeris	19368

✓ Mes rekomenduojame aptarnauti variklį tik pas įgaliotus Briggs & Stratton serviso atstovus.



### RIBOTA GARANTIJA

Briggs & Stratton garantuoja, kad per garantinį laikotarpį aprašytą žemiau, nemokamai suremontuos ar pakeis bet kurią variklio detalę ar detales, kurios yra pagamintos iš nekokybiškų medžiagų, nekokybiškai pagamintos ar abu šie atvejai viename. Transporto išlaidas už detalių, skirtų remontui ar pakeitimui, pristatymą, vadovaujantis šia garantija, apmoka pirkėjas. Ši garantija yra taikoma atitinkamam laikotarpiui ir galioja pagal sąlygas, išvardintas šiame polise. Norėdami gauti garantinį remontą, kreipkitės į artimiausią Įgaliotą Aptarnavimo centrą, nurodytą kompanijos internetiniame puslapyje BRIGGSandSTRATTON.COM. Pirkėjas turi susisiekti su Aptarnavimo centru ir pasirūpinti variklio pristatymu į Aptarnavimo centrą, jo diagnostikai.

**Nėra jokių kitų tiesioginių garantijų. Numanomos garantijos, įskaitant tinkamumo prekybai arba atitinkamo panaudojimo sritims garantija, apribotos tam tikru laikotarpiu, nustatytu žemiau arba leistinai įstatymų rėmais. Atsakomybė už netiesioginius pažeidimus pagal visas garantijas yra atmetama tiek, kiek tai leidžia įstatymai.** Kai kurios valstybės neriboja numanomos garantijos galiojimo laiko, kitose neleidžiama eliminuoti arba riboti atsakomybę už atsitiktinę arba logiškai išplaukiančią žalą. Tokiu būdu, aukščiau pateiktos išimties ir apribojimai gali Jūsų nepaliesti. Ši garantija suteikia Jums išskirtines juridines teises. Jūs taip pat galite pasinaudoti kitomis teisėmis, kurias Jums suteikia Jūsų šalies įstatymai. \*\*

### STANDARTINIAI GARANTIJOS TERMINAI \*▲

Prekinis ženklas/Produkto tipas	Privatus naudojimas	Komerčinis naudojimas
Vanguard™ ■	3 metai	3 metai
Vejapjovių varikliai skirti komerciniam naudojimui Commercial Turf Series™	2 metai	2 metai
Dura-Bore™ Cast Iron Sleeve tipo varikliai.	2 metai	1 metai
Visi kiti Briggs & Stratton varikliai	2 metai	90 dienų

\* Šie garantiniai terminai yra standartiniai, jie gali būti papilyti arba pakeisti bet kuriuo laiku. Norėdami sužinoti naujausią informaciją apie Jūsų variklio garantiją, apsilankykite BRIGGSandSTRATTON.COM arba susisiekite su artimiausiu Briggs&Stratton Įgaliotu atstovu.

\*\* Australijoje - Mūsų prekes turi garantija kurį negali būti atmeta pagal Australijos Vartotojų įstatymą. Jūs turite teisę į kompensaciją bet kurių pagrįstų nuostolių arba gedimų. Jūs taip pat turite teisę į detalių taisymą arba pakeitimą, jeigu jos yra blogos kokybės arba blogai veikia, kurios brokuotos detalės pakeitima. Norėdami atlikti garantinį remontą, kreipkitės į artimiausią Įgaliotą Aptarnavimo centrą, nurodytą kompanijos internetiniame puslapyje BRIGGSandSTRATTON.COM arba paskambinę 1300 274 447, arba kreipdamiesi į salesenquiries@briggsandstratton.com.au, Briggs & Stratton Australia Pty Ltd, 1 Moorebank Avenue, Moorebank, NSW, Australia, 2170.

▲ Ši garantija negalioja varikliams, kurie yra naudojami kaip pagrindinis energijos šaltinis bei generatoriuose kurie yra naudojami komerciniais tikslais. Garantija netaikoma varikliams, naudojamiems sportinėms varžyboms ir lenktynėms arba komerciniuose bei nuomuojamuose automobiliuose.

■ "Vanguard", sumontuotam rezerviniuose generatoriuose, garantija galioja 2 metus „Privataus naudojimo“ sąlygomis. Komerčiniam naudojimui garantija neteikiama. „Vanguard“, sumontuotam universaliose transporto priemonėse, garantija galioja 2 metus „Privataus naudojimo“ sąlygomis bei 2 metus komercinio naudojimo tikslais. „Vanguard“ 3-ų cilindrų skysčiu aušinamas variklis: žr. „Briggs & Stratton“ 3-ų cilindrų skysčiu aušinamo variklio savininko garantinį polisą.

Garantis periodas prasideda nuo prekės įsigijimo datos privačių vartotojų arba komercinių naudotojų, ir galioja terminą, kuris yra nurodytas lentelėje aukščiau. "Privatus naudojimas" reiškia individualų naudojimą pirmo mažmeninio pirkėjo savajame asmeniniame plote. "Komerčinis naudojimas" reiškia visus kitus naudojimo būdus, įskaitant naudojimą nuomai, pelniui gauti ir pan. Jeigu įranga buvo nors vieną kartą panaudota komerciniais tikslais, ji bus priskirta prie komercijos tikslams naudojamos įrangos kategorijos ir jai bus taikoma atitinkama garantija.

**Jūs privalote išsaugoti pirkimo čekį. Pateikiant garantinį reikalavimą, reikalaujamas pirkimo datos įrodymas. Briggs & Stratton variklių garantijos įgyvendinimui garantinis talonas nereikalaujamas.**

### Dėl Jūsų Garantijos

Šie garantiniai įsipareigojimai galioja tik su varikliu susijusioms nekokybiškoms medžiagoms ir/ar darbams, o ne įrangai, kurioje variklis yra sumontuotas. Garantija nėra taikoma eiliniam aptarnavimui, reguliavimui arba detalėms dėl natūralaus nusidėvėjimo. Garantija taip pat nėra taikoma jeigu variklis buvo perdarytas arba modifikuotas arba buvo pakeistas arba ištrintas jo numeris. Garantija nėra taikoma naudotiems, atnaujintiems arba demonstracijos tikslams naudojamiems varikliams arba įrangai. Garantija taip pat nėra taikoma variklio gedimui kilusio dėl:

- 1 Neoriginalių Briggs & Stratton detalių naudojimo;
- 2 Dėl variklio veikimo esant nepakankamam arba užterštam tepimui arba dėl netinkamo alyvos lygio;
- 3 Dėl pasenusio benzino, benzino kurio sudėtyje yra daugiau negu 10 % etanolio arba kitų kuro tipų naudojimo, kurie nėra tinkami varikliams pagamintiems Briggs & Stratton;
- 4 Patekusio į variklį purvo dėl netinkamo oro filtro aptarnavimo arba surinkimo;

- 5 Vėjapjovės ašmens susidurimo su objektu, atlaisvintų arba neteisingai sumontuotų ašmens adapterių, skriemulių arba alkininio sujungimo dalių arba pernelyg įtempto diržo.
- 6 Remonto arba reguliavimo dalių, kurios yra susijusios su varikliu, tokių kaip sankaba, transmisija, valdymo svirtys ir pan., kurios nėra pagamintos kompanijoje Briggs & Stratton.
- 7 Perkaitinimo, kuris įvyko žolei, purvui patekus ant variklio ir užteršusių aušinimo briaunas ir oro angas; ar dėl pažeidimo, kuris buvo padarytas varikliui veikiant be pakankamo aušinimo.
- 8 Papildomos didelės vibracijos, kuri atsirado dėl atsilaisvintų variklio tvirtinimų, pjovimo peilių, nebalansuotų skriemulių, neteisingo dalių sujungimo su variklio korpusu arba perdidelio greičio;
- 9 Dėl netinkamo naudojimo, nesant reikiamo aptarnavimo, transportavimo, saugojimo arba neteisingo sumontavimo ant įrangos.

**Garantis aptarnavimas turi būti atliekamas tik pas Įgaliotą Briggs & Stratton serviso atstovą. Jo adresu galima rasti kompanijos internetiniame puslapyje BRIGGSandSTRATTON.COM arba paskambinę 1-800-233-3723 (JAV).**

## Vispārīga informācija

Šajā rokasgrāmatā ir aprakstīta informācija par drošību, lai pasargātu Jūs no briesmām un riska, kuri pastāv saskarē ar dzinējiem un kā no tiem izvairīties. Tā arī satur instrukcijas dzinēja pareizai lietošanai un apkopei. Tāpēc, ka Briggs & Stratton Corporation ne vienmēr var zināt kādu aprīkojumu dzinējs apgādās ar dzinējspēku, ir svarīgi izlasīt un izprast šīs instrukcijas, kā arī instrukcijas aprīkojumam, kuru dzinējs apgādā ar dzinējspēku. **Saglabājiet šīs instrukcijas - iespējams, ka vēlāk tās vajadzēs pārlasīt.**

Rezerves daļu pieprasīšanai vai tehniskai palīdzībai pierakstiet zemāk dzinēja modeļa, tipa un koda numurus kopā ar pirkšanas datumu. Šie numuri ir uz jūsu dzinēja (skatīt **Īpašības un vadības elementus** lappusi).

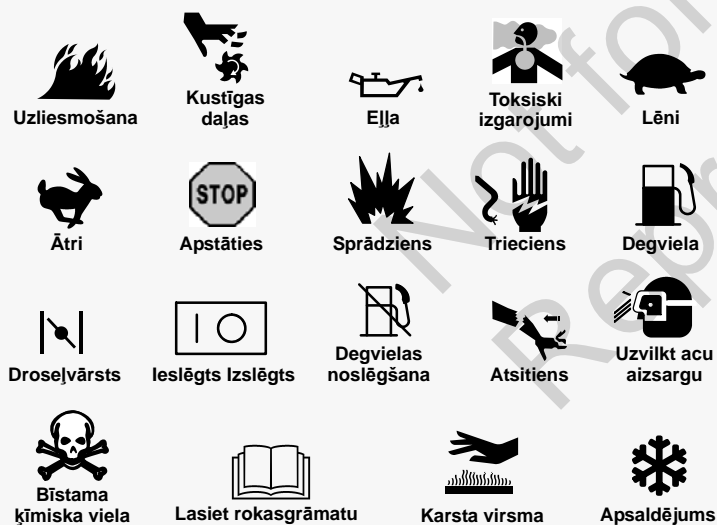
**Pirkšanas datums:** \_\_\_\_\_  
MM/DD/GGGG

**Dzinēja modelis:** \_\_\_\_\_  
Modelis:                      Tips:                      Kods:

**Jaudas mērījumi:** Atsevišķiem benzīna dzinēju modeļiem bruto jauda tiek norādīta atbilstoši SAE (Society of Automotive Engineers) noteikumiem J1940 (Mazu dzinēju jaudas un griezes momenta noteikšanas procedūra) un tiek novērtēta atbilstoši SAE noteikumiem J1995. Dzinējiem ar norādījumu „rpm” uz plāksnītes griezes momenta rādījumi tiek mērīti pie 2600 apgr./min., bet visiem pārējiem dzinējiem - pie 3060 apgr./min.; jaudas rādījumi tiek mērīti pie 3600 apgr./min. Ar bruto jaudas līkņiem var iepazīties mājaslapā [www.BRIGGSandSTRATTON.COM](http://www.BRIGGSandSTRATTON.COM). Neto jaudas rādījumi tiek noteikti dzinējiem ar uzstādītām izplūdes gāzu un gaisa attīrīšanas sistēmām, kamēr bruto jaudas rādījumi tiek noteikti dzinējiem bez šīm sistēmām. Faktiskā dzinēja bruto jauda būs lielāka par neto jaudu, un to, starp citu, iespaido apkārtējās vides apstākļi un atšķirības starp atsevišķiem dzinējiem. Ņemot vērā plašo iekārtu spektru, kurām dzinēji tiek uzstādīti, var izrādīties, ka jūsu iegādātais benzīna dzinējs konkrētajā iekārtā neattīstīs norādīto jaudu. Šādu atšķirību pamatā ir vairāki faktori, piemēram (bet ne tikai) dzinēja aprīkojums (gaisa filtrs, izpūtējs, generators, dzesēšanas sistēma, karburators, degvielas sūkņi, u.t.t.), izmantošanas ierobežojumi, apkārtējās vides apstākļi (temperatūra, gaisa mitrums, augstums virs jūras līmeņa), kā arī atšķirības starp atsevišķiem dzinēju eksemplāriem. Ražošanas jaudas ierobežojumu rezultātā, Briggs & Stratton var aizvietot augstākas jaudas dzinēju ar šo dzinēju.

## Operatora drošība

### DARBA DROŠĪBAS UN VADĪBAS SIMBOLI



Drošības trauksmes simbols tiek izmantots, lai norādītu uz drošības informāciju par riska faktoriem, kas var izraisīt ievainojumu. Signālvārds (DRAUDI, BRĪDINĀJUMS, PIESARDZĪBA) tiek izmantots kopā ar trauksmes simbolu lai norādītu iespējamību un potenciālā ievainojuma smagumu. Riska simbols var tikt papildus izmantots riska veida norādīšanai.

**DRAUDI** norāda uz risku, kas nenovēršanas gadījumā, izraisīs nāvi vai nopietnu ievainojumu.

**BRĪDINĀJUMS** norāda uz risku, kas nenovēršanas gadījumā var izraisīt nāvi vai nopietnu ievainojumu.

**PIESARDZĪBA** norāda uz risku, kas nenovēršanas gadījumā varētu izraisīt nelielu vai vidēju ievainojumu.

**PIEZĪME** norāda uz situāciju, kas var izraisīt produkta bojājumu.



### BRĪDINĀJUMS

Šajā produktā zināmas sastāvdaļas un to attiecīgie piederumi satur ķīmiskas vielas, kas Kalifornijas štātā ir atzītas par izraisošām vēzi, iedzimtus defektus vai citu reproduktīvu kaitējumu. Pēc darba ar šiem izstrādājumiem mazgājiet rokas.



### BRĪDINĀJUMS

Šī dzinēja izplūdes gāzes satur ķīmiskas vielas, kas Kalifornijas štātā ir atzītas par izraisošām vēzi, iedzimtus defektus vai citu reproduktīvu kaitējumu.



### BRĪDINĀJUMS

Briggs & Stratton dzinēji nav paredzēti izmantošanai sekojošajās iekārtās: izklaides un sporta kartingos, bērnu, izklaides vai sporta bezceļu transportlīdzekļos (ATV), motociklos, transportlīdzekļos uz gaisa spilvena, lidaparātos, vai transportlīdzekļos, kas tiek izmantoti Briggs & Stratton neatzītās sacensībās. Informāciju par produktiem, kas tika izstrādāti sacensībām skatiet mājaslapā [www.briggsracing.com](http://www.briggsracing.com). Lai saņemtu informāciju par dzinēju izmantošanu saimnieciskos un divvietīgos bezceļu transportlīdzekļos, sazinieties ar Briggs & Stratton dzinēju pielietojuma daļu pa tālruni: 1-866-927-3349. Nepareiza dzinēju pielietošana vai izraisīt nopietnus ievainojumus vai nāvi.

**PIEZĪME:** Dzinējs no Briggs & Stratton tiek nosūtīts bez eļļas. Pirms dzinēja iedarbināšanas, pārliecinieties, ka jūs esiet ielējis eļļu atbilstoši šīs rokasgrāmatas instrukcijām. Ja jūs iedarbināsiet dzinēju bez eļļas, tas tiks sabojāts bez iespējam izremontēt un uz to garantija neattieksies.



## BRĪDINĀJUMS



Degviela un tā garaiņi ir ārkārtīgi viegli uzliesmojoši un sprādzienbīstami.  
Uguns vai sprādziens var izraisīt smagus apdegumus vai nāvi.

### Uzpildot degvielu

- Izslēdziet dzinēju un ļaujiet dzinējam vismaz 2 minūtes atdzist pirms degvielas tvertnes vāciņa noņemšanas.
- Uzpildiet degvielas tvertni ārpus telpām vai vietā ar labu ventilāciju.
- Nepārpildiet degvielas tvertni. Lai būtu iespējama degvielas izplešanās, nepiepildiet virs degvielas tvertnes kakliņa apakšdaļas.
- Uzglabājiet degvielu atstātus no dzirkstelēm, atklātām liesmām, degļiem, karstuma un citiem aizdegšanās avotiem.
- Bieži pārbaudiet, vai degvielas caurulēm, tvertnei, vāciņiem un sastiprinājumiem nav plaisas vai sūces. Nepieciešamības gadījumā nomainiet.
- Ja degviela izlaistās, pirms dzinēja iedarbināšanas pagaidiet, līdz tā izgaro.

### Iedarbinot dzinēju

- Pārliecinieties, ka aizdedzes svece, klusinātājs, degvielas vāciņš un gaisa atfiltrētājs (ja ir aprīkojumā) ir savā vietā un droši nostiprināti.
- Negrieziet dzinēju, ja aizdedzes svece ir izņemta.
- Ja dzinējs pārplūst, uzstādiet gaisa vārstu (ja ir aprīkojumā) stāvoklī OPEN (atvērta)/RUN (darbība), virziet droseli (ja ir aprīkojumā) uz stāvokli FAST (ātrs) un grieziet, līdz dzinējs sāk darboties.

### Darbinot iekārtu

- Nesagāziet dzinēju vai iekārtu tādā leņķī, kas izraisa degvielas izlīšanu.
- Neveiciet karburatora gaisa vārsta aizvēršanu, lai apstādinātu dzinēju.
- Nekad neiedarbiniet vai nedarbiniet dzinēju, kad noņemts gaisa atfiltrētāja mezgls (ja ir aprīkojumā) vai gaisa filtrs (ja ir aprīkojumā).

### Nomainot eļļu

- Ja jūs izlejiet eļļu caur augšējo eļļas uzpildnes cauruli, degvielas tvertnei jābūt tukšai, jo degviela var izplūst ārā un var izraisīt uzliesmojumu vai sprādzienu.

### Ja iekārtu ir nepieciešams noliekt apkalpošanas veikšanai

- Veicot apkalpošanas darbus, kuru laikā iekārtai ir jāatrodas noliektā stāvoklī, degvielas tvertnei jābūt tukšai, citādi var notikt degvielas noplūde, kas var izraisīt uzliesmojumu vai sprādzienu.

### Transportējot iekārtu

- Transportējiet ar TUKŠU degvielas tvertni vai ar degvielas slēgvārstu stāvoklī OFF.

### Uzglabājot degvielu vai iekārtu ar degvielu tvertni

- Uzglabājiet atstātus no kurtuvēm, plītiņiem, ūdenssildītājiem vai citām ierīcēm, kurām ir degļi vai citi aizdegšanās avoti, jo tie var izraisīt degvielas izgarojumu uzliesmošanu.



## BRĪDINĀJUMS



Dzinēja iedarbināšana izraisa dzirkstejošanu.  
Dzirkstejošana var aizdedzināt tuvumā esošas ugunsnedrošas gāzes.  
Tas var izraisīt eksploziju un ugunsgrēku.

- Neiedarbiniet dzinēju, ja tuvumā ir dabasgāzes vai šķidrā propāna gāzes (LP) noplūde.
- Neizmantojiet saspiestus iedarbināšanas šķidrumus, ja garaiņi var būt uzliesmojoši.



## BRĪDINĀJUMS



Dzinēju darbināšana rada karstumu. Dzinēja daļas, it īpaši klusinātājs, kļūst ļoti karstas.

Saskares gadījumā var rasties smagi apdegumi.

Ugunsnedroši priekšmeti, piemēram, lapas, zāle, krūmājs utt. var aizdegties.

- Ļaujiet klusinātājam, dzinēja cilindram un ribām atdzist pirms pieskaršanās.
- Notīriet klusinātāja un cilindra tuvumā uzkrājušos grūzus.
- Kalifornijas sabiedrisko resursu kodeksa, 4442. paragrāfa likumpārkāpums ir šī dzinēja izmantošana vai darbināšana jebkādā mežā vai uz zemes, kas klāta ar krūmiem vai zāli, ja izpūtēja sistēmai nav uzstādīts un uzturēts darba kārtībā dzirkstelju slāpētāju, kā tas norādīts 4442. paragrāfā. Citos štatos vai federālajai jurisdikcijai pakļautās teritorijās var būt līdzīgi likumi. Lai iegādātos dzirkstelju slāpētāju, kas konstruēts šim dzinējam uzstādītai izpūtēja sistēmai, sazinieties ar oriģinālās iekārtas izgatavotāju, mazumtirgotāju vai tirdzniecības pārstāvi



## BRĪDINĀJUMS



INDĪGAS GĀZES RADĪTĀS BRIESMAS. Dzinēja izplūdes gāzes satur oglekļa monoksīdu - tā ir indīga gāze, kura var izraisīt nāvi dažu minūšu laikā. To NEVAR redzēt, sajūst tās smaku vai garšu. Pat ja jūs nejutat izplūdes gāzu smaku, jūs varat būt pakļauts oglekļa monoksīda iedarbībai. Ja jūs jūtat nelabumu, reiboni vai vājumu izstrādājuma izmantošanas laikā, izslēdziet to un NEKAVĒJOTIES izejiet svaigā gaisā. Vērsieties pie ārsta. Jums var būt saindēšanās ar oglekļa monoksīdu.

- Lietojiet šo izstrādājumu TIKAI ārpus telpām, attālumā no logiem, durvīm vai ventilācijas lūkām, lai samazinātu risku, ka oglekļa monoksīds var sakrāties un nokļūt dzīvojamās telpās.
- Uzstādiet oglekļa monoksīda koncentrācijas signalizāciju, kas tiek darbināta ar baterijām, vai signalizāciju, kas tiek pieslēgta elektrotīklam un kurai ir baterijas kā rezerves barošanas avots; ievērojiet ražotāja instrukcijas. Dūmu signalizācijas nevar noteikt oglekļa monoksīda esamību.
- NELIETOJIET šo izstrādājumu mājās, garāžās, pagrabos, pagrīdēs, zem pajumēm vai citās daļēji slēgtās telpās, pat izmantojot ventilatorus vai atverot durvis un logus ventilācijai. Oglekļa monoksīds var ātri sakrāties šādās telpās un palikt tajās stundām ilgi, pat pēc izstrādājuma izslēgšanas.
- VIENMĒR novietojiet šo izstrādājumu pa vējam, un tā, lai dzinēja izplūdes gāzes būtu novirzīti prom no dzīvojamām telpām.



## BRĪDINĀJUMS



Strauja startera auklas ieraušana atpakaļ (atsitiens) var paraut plaukstu un roku uz dzinēja pusi ātrāk nekā jūs varēsiet palaist to vājā. Tas var izraisīt kaulu lūzumus, plīsumus, sasitumus vai sastiepumus.

- Iedarbinot dzinēju, lēnām velciet startera auklu līdz sajūtat pretestību, tad paraujiet strauji, lai izvairītos no atsitienu.
- Pirms dzinēja iedarbināšanas noņemiet visas ārējās iekārtas/dzinēja noslodzi.
- Tieši pievienotām iekārtas sastāvdaļām, piemēram, bet ne tikai, asmeņiem, lāpstnīteriem, trīšiem, zobratiem u.tml. ir jābūt droši piestiprinātiem.



## BRĪDINĀJUMS



Rotējošas daļas var pieskarties vai sapīties ar rokām, kājām, matiem, apģērbu vai piederumiem.  
Rezultāts var būt traumatiska amputācija vai smagas plēstas brūces.

- Darbiniet iekārtu ar uzstādītiem aizsarglīdzekļiem.
- Turiet rokas un kājas atstātus no rotējošām daļām.
- Sasieniet garus matus un noņemiet rotaslietas.
- Nevalkājiet vaļīgu apģērbu, apģērba gabalus ar brīvām auklām vai citiem elementiem, kas varētu tikt aizķerti.



## BRĪDINĀJUMS



Nejauša dzirkstejošana var izraisīt uguni vai elektriskās strāvas triecienu.



Nejauša iedarbināšana var izraisīt sapīšanos, traumatisku amputāciju vai plēstu brūci.



Uzliesmošanas risks

### Pirms regulēšanas vai remonta

- Atvienojiet aizdedzes sveces vadu, un neturiet to aizdedzes sveces tuvumā.
- Atvienojiet akumulatoru baterijas negatīvo spaili (tikai dzinējiem ar elektrisko iedarbināšanu).
- Lietojiet tikai pareizos instrumentus.
- Nepārtaisiet regulatora atsperi, sasaites vai citas daļas, lai palielinātu dzinēja ātrumu.
- Nomaināmām daļām jābūt tādas pašas konstrukcijas un tām jābūt iemontētām tajā pašā vietā kā oriģinālajām daļām. Cita veida daļas var nedarboties tikpat labi, var sabojāt iekārtu un var izraisīt ievainojumu.
- Nesitiet spararatu ar āmuru vai cietu priekšmetu, jo tādā gadījumā spararats var vēlāk saplīst darbības laikā.

### Pārbaudot dzirksteli

- Izmantojiet sankcionētu aizdedzes sveces testerī.
- Nepārbaudiet dzirksteli, ja aizdedzes svece ir izņemta.

# Īpašības un vadības elementi

Salīdziniet ilustrāciju **1** ar jūsu dzinēju, lai iepazītos ar dažādām īpašībām un vadības elementu novietojumu.

- A. Dzinēja identifikācija  
**Modelis Tips Kods**
- B. Aizdedzes svece
- C. Gaisa atfiltrētājs
- D. Mērstienis/Eļļas uzpilde
- E. Eļļas filtrs (kā opcija)
- F. Eļļas iztecināšanas korķis
- G. Eļļas spiediena sensors
- H. Pirkstu aizsargs
- I. Elektriskais starteris
- J. Starteris iedarbināšanai ar rāvienu (kā opcija)
- K. Karburators
- L. Izplūdes kolektors
- M. Degvielas sūknis
- N. Degvielas filtrs (kā opcija)
- O. Eļļas dzesētājs (kā opcija)
- P. Klusinātājs (kā opcija)

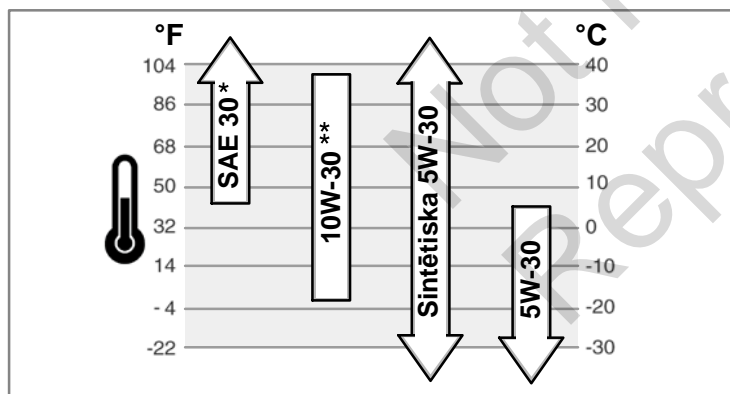
## Ekspluatācija

Eļļas ietilpība (skatīt **Specifikāciju** nodaļu)

### Eļļas Rekomendācijas

Mēs iesakām labai darbībai izmantot Briggs & Stratton ar garantiju (Warranty Certified) sertificētās eļļas. Citas augstas kvalitātes tīrošas eļļas arī ir piemērotas, ja tās klasificētas darbam kā SF, SG, SH, SJ vai augstāk. Neizmantojiet speciālās piedevas.

Piemērotā dzinēja eļļas viskozitāte tiek izvēlēta izejot no āra temperatūras. Pēc diagrammas izvēlieties vislabāko viskozitātes pakāpes eļļu, kas atbilst sagaidāmajai āra temperatūrai.



\* Ja SAE 30 eļļa tiek izmantota zem 40°F (4°C), tā varētu izraisīt apgrūtinātu iedarbināšanu.

\*\* 10W-30 eļļas izmantošana virs 80°F (27°C) var izraisīt palielinātu eļļas patēriņu. Pārbaudiet eļļas līmeni biežāk.

### Kā pārbaudīt/pieliet eļļu - Attēlu **2**

Pirms eļļas pieliešanas vai eļļas līmeņa pārbaudes

- Novietojiet dzinēju horizontāli.
  - Notīriet eļļas uzpildes vietu no jebkādiem gružiem.
1. Izņemiet mērstieni (A) un noslaukiet ar tīru drānu (Attēlu 2).
  2. Pilnīgi ievietot dziļuma mēritāju.
  3. Izņemiet mērstieni un pārbaudiet eļļas līmeni. Tam ir jābūt pie piepildījuma indikatora (full indicator) augšas uz mērstienā (B).
  4. Ja līmenis zems, lēni lejiet eļļu dzinēja eļļas uzpildnē (C). **Neiepildiet par daudz.** Pēc eļļas ieliešanas, pagaidiet vienu minūti un tad pārbaudiet eļļas līmeni.
  5. Pilnīgi ievietot dziļuma mēritāju.

### Sistēma aizsardzībai no zema eļļas līmeņa (ja uzstādīta)

Daži dzinēji ir aprīkoti ar zema eļļas līmeņa devēju. Ja eļļas līmenis ir pazemināts, pēc devēja signāla iedegsies brīdinājuma gaismas signāls vai dzinējs tiks izslēgts. Izslēdziet dzinēju un izpildiet sekojošās darbības pirms atkārtotās dzinēja iedarbināšanas.

- Pārliedzieties, ka dzinējs ir izlīdzināts.
- Pārbaudiet eļļas līmeni. Skatīt nodaļu **Kā pārbaudīt/pieliet eļļu.**
- Ja eļļas līmenis ir pazemināts, pieļaujiet nepieciešamo eļļas daudzumu. Iedarbiniet dzinēju un pārliedzieties, ka nedeg brīdinājuma gaismas signāls (ja uzstādīts).
- Ja eļļas līmenis nav pazemināts, **neiedarbiniet** dzinēju. Sazinieties ar autorizētu Briggs & Stratton pārstāvi, lai novērstu problēmas ar eļļu.

### Degvielas rekomendācijas

Degvielai jāatbilst sekojošām prasībām:

- Tīrs, svaigs, bezsvina benzīns.
- Minimālais oktāna skaitlis 87/87 AKI (91 RON). Par lietošanu lielā augstumā, skatiet zemāk norādīto.
- Ir pieļaujams izmantot benzīnu ar etanola (etilspirta) saturu līdz 10%.

**CAUTION:** Neizmantojiet nesankcionētu benzīnu, piemēram, E15 vai E85. Neieņemiet eļļu benzīnā, kā arī nemodificējiet dzinēju darbam ar alternatīvu degvielu. Neatļautu degvielas veidu izmantošana var izraisīt dzinēja daļu defektus, kurus nesegs garantija.

Lai nepieļautu gumijas veidošanos degvielas sistēmā, degvielai piemaisiet degvielas stabilizatoru. Skatīt **Uzglabāšana.** Visa degviela nav vienāda. Ja parādās iedarbināšanas vai darbības problēmas, nomainiet degvielas piegādātāju vai nomainiet šķirnes. Šis dzinējs ir sertificēts izmantošanai ar benzīnu. Izplūdes emisiju kontroles sistēma šim dzinējam ir EM (dzinēja modifikācijas).

### Liels augstums

Pie augstuma virs 5 000 pēdām (1524 metri), ir pieļaujams benzīns ar minimālo oktāna skaitli 85/85 AKI (89 RON).

Lai saglabātu atbilstību emisiju normām, ar karburatoru aprīkotajiem dzinējiem ir nepieciešami augstkalnu iestatījumi. Dzinējam darbojoties bez šiem iestatījumiem, samazināsies jauda, palielināsies degvielas patēriņš un paaugstināsies emisijas. Lai saņemtu informāciju par augstkalnu iestatījumiem, sazinieties ar kompānijas Briggs & Stratton autorizētā dīlera servisu. Nav ieteicams izmantot dzinēju ar augstkalnu iestatījumiem augstumos zem 762 metriem (2500 pēdām).

Dzinējiem ar elektronisko degvielas iesmidzināšanas sistēmu (EFI) augstkalnu iestatījumi nav nepieciešami.

### Kā pieliet degvielu - Attēlu **3**



#### BRĪDINĀJUMS



Degviela un tā garaiņi ir ārkārtīgi viegli uzliesmojoši un sprādzienbīstami.

Uguns vai sprādziens var izraisīt smagus apdegumus vai nāvi.

#### Uzpildot degvielu

- Izslēdziet dzinēju un ļaujiet dzinējam vismaz 2 minūtes atdzist pirms degvielas tvertnes vāciņa noņemšanas.
- Uzpildiet degvielas tvertni ārpus telpām vai vietā ar labu ventilāciju.
- Nepārpildiet degvielas tvertni. Lai būtu iespējama degvielas izplešanās, nepiepildiet virs degvielas tvertnes kakliņa apakšdaļas.
- Uzglabājiet degvielu atstātus no dzirkstelēm, atklātām liesmām, degļiem, karstuma un citiem aizdegšanās avotiem.
- Bieži pārbaudiet, vai degvielas caurulēm, tvertnei, vāciņiem un sastiprinājumiem nav plaisas vai sūces. Nepieciešamības gadījumā nomainiet.
- Ja degviela izlaistās, pirms dzinēja iedarbināšanas pagaidiet, līdz tā izgaro.

1. Notīriet degvielas tvertnes vāciņa vietu no netīrumiem un gružiem. Noņemiet degvielas tvertnes vāciņu (A, Attēlu 3).
2. Uzpildiet degvielas tvertni (B) ar degvielu. Lai būtu iespējama degvielas izplešanās, nepiepildiet virs degvielas tvertnes kakliņa apakšdaļas (C).
3. Uzlieciet atpakaļ degvielas tvertnes vāciņu.

### Kā iedarbināt dzinēju - Attēlu **4**



#### BRĪDINĀJUMS



Strauja startera auklas ieraušana atpakaļ (atsitiens) var paraut plaukstu un roku uz dzinēja pusi ātrāk nekā jūs varēsiet palaist to vaļā. Tas var izraisīt kaulu lūzumus, plīsumus, sasitumus vai sastiepumus.

- Iedarbinot dzinēju, lēnām velciet startera auklu līdz sajūtat pretestību, tad paraujiet strauji, lai izvairītos no atsitienu.



## BRĪDINĀJUMS



Degviela un tā garaiņi ir ārkārtīgi viegli uzliesmojoši un sprādzienbīstami.



Uguns vai sprādziens var izraisīt smagus apdegumus vai nāvi.

### Iedarbinot dzinēju

- Pārlicinieties, ka aizdedzes svece, klusinātājs, degvielas vāciņš un gaisa atfīrtājs (ja ir aprīkojumā) ir savā vietā un droši nostiprināti.
- Negrieziet dzinēju, ja aizdedzes svece ir izņemta.
- Ja dzinējs pārplūst, uzstādiat gaisa vārstu (ja ir aprīkojumā) stāvoklī OPEN (atvērts)/RUN (darbība), virziet droseļi (ja ir aprīkojumā) uz stāvokli FAST (ātrs) un grieziet, līdz dzinējs sāk darboties.



## BRĪDINĀJUMS



**INDĪGAS GĀZES RADĪTĀS BRIESMAS.** Dzinēja izplūdes gāzes satur oglekļa monoksīdu - tā ir indīga gāze, kura var izraisīt nāvi dažu minūšu laikā. To NEVAR redzēt, sajūst tās smaku vai garšu. Pat ja jūs nejutāt izplūdes gāzu smaku, jūs varat būt pakļauts oglekļa monoksīda iedarbībai. Ja jūs jūtat nelabumu, reiboni vai vājumu izstrādājuma izmantošanas laikā, izslēdziet to un NEKAVĒJOTIES izejiet svaigā gaisā. Vērsieties pie ārsta. Jums var būt saindēšanās ar oglekļa monoksīdu.

- Lietojiet šo izstrādājumu TIKAI ārpus telpām, attālumā no logiem, durvīm vai ventilācijas lūkām, lai samazinātu risku, ka oglekļa monoksīds var sakrāties un nokļūt dzīvojamās telpās.
- Uzstādiat oglekļa monoksīda koncentrācijas signalizāciju, kas tiek darbināta ar baterijām, vai signalizāciju, kas tiek pieslēgta elektrotīklam un kurai ir baterijas kā rezerves barošanas avots; ievērojiet ražotāja instrukcijas. Dūmu signalizācijas nevar noteikt oglekļa monoksīda esamību.
- NELIETOJIET šo izstrādājumu mājās, garāžās, pagrabos, pagrīdēs, zem pajumēm vai citās daļēji slēgtās telpās, pat izmantojot ventilatorus vai atverot durvis un logus ventilācijai. Oglekļa monoksīds var ātri sakrāties šādās telpās un palikt tajās stundām ilgi, pat pēc izstrādājuma izslēgšanas.
- VIENMĒR novietojiet šo izstrādājumu pa vējam, un tā, lai dzinēja izplūdes gāzes būtu novirzīti prom no dzīvojamām telpām.

**PIEZĪME:** Dzinējs no Briggs & Stratton tiek nosūtīts bez eļļas. Pirms dzinēja iedarbināšanas, pārlicinieties, ka jūs esiet ielējis eļļu atbilstoši šīs rokasgrāmatas instrukcijām. Ja jūs iedarbināsiet dzinēju bez eļļas, tas tiks sabojāts bez iespējām izremontēt un uz to garantija neattieksies.

**Piezīme:** Dažām ierīcēm un aprīkojumam ir distances vadība. Par distances vadības izvietojumu un darbināšanu skatīt aprīkojuma instrukciju.

1. Pārbaudiet eļļas līmeni. Skatīt **Kā pārbaudīt/pieliet eļļu** nodaļu.
2. Pārlicinieties, ka iekārtas piedziņas vadības elementi, ja ir aprīkojumā, ir atvienoti.
3. Pagrieziet degvielas slēgvārstu (A), ja ir aprīkojumā, uz stāvokli on (atvērts) (Attēlu 4).

## Apkope

Mēs iesakām jums vērsties pie jebkura Briggs & Stratton autorizēta pārstāvja dzinēja un dzinēja daļu visas apkopes un servisa veikšanai.

**PIEZĪME:** Lai darbība būtu pareiza, visām dzinēja izgatavošanā izmantotajām sastāvdaļām jāatrodas savās vietās.



## BRĪDINĀJUMS

Veicot apkalpošanas darbus, kuru laikā iekārtai ir jāatrodas noliektā stāvoklī, degvielas tvertnei jābūt tukšai, citādi var notikt degvielas noplūde, kas var izraisīt uzliesmojumu vai sprādzienu.

## Emisijas kontrole

Emisiju kontroles iekārtu un sistēmu apkopi, nomaņu vai remontu var veikt jebkurā bezceļu apstākļiem paredzēto dzinēju remonta iestādē vai pie individuālā meistara. Tomēr, lai būtu iespējams emisiju kontroles iekārtu „bezmaksas” serviss, šis darbs jāveic pie rūpnīcas autorizēta pārstāvja. Skatīt Emisiju garantiju.

4. Nospiediet apturēšanas slēdzi (F), ja ir aprīkojumā, uz on (ieslēgts) stāvokli.
5. Virziet droseļes vadību (B) uz fast (ātrs) stāvokli. Darbiniet dzinēju fast (ātrs) stāvoklī.
6. Virziet gaisa vārsta vadību (C) uz choke (gaisa vārsts) stāvokli.  
*PIEZĪME:* Vēlreiz iedarbinot siltu dzinēju, gaisa vārsta izmantošana parasti nav nepieciešama.
7. **Iedarbināšana ar rāvienu:** Pagrieziet atslēgas slēdzi (D), ja ir aprīkojumā, uz run (darbība) stāvokli.
8. **Iedarbināšana ar rāvienu:** Stingri turiet startera auklas rokturi (E). Lēnām velciet startera auklas rokturi, līdz sajūtat pretestību, tad raujiet strauji.  
*PIEZĪME:* Ja dzinējs neiedarbojas pēc atkārtotiem mēģinājumiem, sazinieties ar vietējo dīleri vai piezvaniet **VanguardEngines.com** or call **1-800-999-9333 (ASV)**.



## BRĪDINĀJUMS

Strauja startera auklas ieraušana atpakaļ (atsitiens) var paraut plaukstu un roku uz dzinēja pusi ātrāk nekā jūs varēsiet palaist to vaļā. Tas var izraisīt kaulu lūzumus, plīsumus, sasitumus vai sastiepumus. Iedarbinot dzinēju, lēnām velciet startera auklu līdz sajūtat pretestību, tad raujiet strauji, lai izvairītos no atsitienu.

9. **Elektriskā iedarbināšana:** Pagrieziet elektriskās iedarbināšanas slēdzi (D) uz on (ieslēgts)/start stāvokli.  
*PIEZĪME:* Ja dzinējs neiedarbojas pēc atkārtotiem mēģinājumiem, sazinieties ar vietējo dīleri vai piezvaniet **VanguardEngines.com** or call **1-800-999-9333 (ASV)**.  
*PIEZĪME:* Lai pagarinātu startera darbību, veiciet tsus palaišanas ciklus (maksimāli piecas sekundes). Starp palaišanas cikliem nogaidiet vienu minūti.
10. Kad dzinējs iesilis, virziet gaisa vārsta vadību (C) uz run (darbība) stāvokli.

## Kā apturēt dzinēju - Attēlu 4



## BRĪDINĀJUMS



Degviela un tā garaiņi ir ārkārtīgi viegli uzliesmojoši un sprādzienbīstami.



Uguns vai sprādziens var izraisīt smagus apdegumus vai nāvi.

- Neveiciet karburatora gaisa vārsta aizvēršanu, lai apstādinātu dzinēju.

1. Ievirziet droseļes vadību (B) stāvoklī slow (lēns) , pagrieziet atslēgas slēdzi (D) uz off (izslēgts) stāvokli (Attēlu 4). Izņemiet atslēgu un turiet to drošā, bērniem nepieejamā, vietā.
2. Nospiediet apturēšanas slēdzi (F), ja ir aprīkojumā, stāvoklī off (izslēgts).
3. Kad dzinējs apstāties, pagrieziet degvielas slēgvārstu (A), ja ir aprīkojumā, uz noslēgtu stāvokli.



## BRĪDINĀJUMS



Nejausa dzirksteļošana var izraisīt uguni vai elektriskās strāvas triecienu.



Nejausa iedarbināšana var izraisīt sapīšanos, traumatisku amputāciju vai plēstu brūci.



**Uzliesmošanas risks**

### Pirms regulēšanas vai remonta

- Atvienojiet aizdedzes sveces vadu, un neturiet to aizdedzes sveces tuvumā.
- Atvienojiet akumulatoru baterijas negatīvo spaili (tikai dzinējiem ar elektrisko iedarbināšanu).
- Lietojiet tikai pareizos instrumentus.
- Nepārtaisiet regulatora atsperi, sasaites vai citas daļas, lai palielinātu dzinēja ātrumu.
- Nomaināmām daļām jābūt tādas pašas konstrukcijas un tām jābūt iemontētām tajā pašā vietā kā oriģinālajām daļām. Cita veida daļas var nedarboties tikpat labi, var sabojāt iekārtu un var izraisīt ievainojumu.
- Nesitiet sparratu ar āmuru vai cietu priekšmetu, jo tādā gadījumā sparrats var vēlāk saplīst darbības laikā.

### Pārbaudot dzirksteli

- Izmantojiet sankcionētu aizdedzes sveces testeru.
- Nepārbaudiet dzirksteli, ja aizdedzes svece ir izņemta.

## Apkopes diagramma

### Ik pēc 8 stundām vai katru dienu

- Pārbaudiet dzinēja eļļas līmeni
- Notīriet vietu ap klusinātāju un vadības elementiem

### Ik pēc 100 stundām vai katru gadu

- Iztīriet vai nomainiet gaisa filtru \*
- Iztīriet iepriekšējo tīrītāju (ja ir aprīkojumā) \*
- Nomainiet dzinēja eļļu un filtru
- Nomainiet aizdedzes sveci
- Pārbaudiet klusinātāju un dzirksteļu slāpētāju

### Ik pēc 250 stundām vai katru gadu

- Pārbaudiet vārsta atstarpī. Nepieciešamības gadījumā jānoregulē.

### Ik pēc 400 stundām vai katru gadu

- Nomainiet gaisa filtru
- Nomainiet degvielas filtru
- Iztīriet gaisa dzesēšanas sistēmu \*
- Iztīriet eļļas dzesētāja ribas \*

\* Biežāk ir jātīra putekļainos apstākļos vai gaisā esošu gružu gadījumā.

## Karburatora un dzinēja apgriezienu regulēšana

Neregulējiet karburatoru vai dzinēja apgriezienu. Karburators tika noregulēts rūpnīcā efektīvai darbībai vairumā apstākļu. Nemēģiniet regulēt apgriezienu regulatora atspērī, savienojumus vai citas daļas lai izmainītu dzinēja apgriezienu. Gadījumā, ja ir nepieciešams veikt regulēšanu, sazinieties ar autorizēto Briggs & Stratton servisa centru apkalpošanas veikšanai.




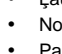
**PIEZĪME:** Aprīkojuma ražotājs ir noteicis uz aprīkojuma uzstādītā dzinēja maksimālo apgriezienu skaitu. **Nepārsniedziet** šo skaitu. Ja jūs neesat pārliecināts, kāds ir aprīkojuma maksimālais ātrums vai kādiem apgriezienu dzinējs tika noregulēts rūpnīcā, sazinieties ar autorizēto Briggs & Stratton servisa centru palīdzības saņemšanai. Lai nodrošinātu drošu un pienācīgu aprīkojuma darbību, dzinēja apgriezienu drīkst regulēt tikai kvalificēti servisa tehniķi.

## Kā nomainīt aizdedzes sveci - Attēlu 5

Pārbaudiet atstarpī (A, Attēlu 5) ar stieples kalibru (B). Ja ir nepieciešams, iestatiet atstarpī. Ievietojiet un pievelciet aizdedzes sveci ar ieteikto momentu. Par atstarpes iestatīšanu vai momentu, skatīt **Specifikāciju** nodaļā.


**Piezīme:** Dažos reģionos vietējie likumi prasa izmantot aizdedzes sveci ar rezistoru, lai apslāpētu aizdedzes radītos traucējumu signālus. Ja šis dzinējs sākotnēji bija aprīkots ar aizdedzes sveci ar rezistoru, nomainiet izmantojiet tāda paša tipa aizdedzes sveci.

## Apskatiet klusinātāju un dzirksteļu slāpētāju - Attēlu 6

**BRĪDINĀJUMS**  
 Dzinēju darbināšana rada karstumu. Dzinēja daļas, it īpaši klusinātājs, kļūst ļoti karstas.  
 Saskares gadījumā var rasties smagi apdegumi.  
 Ugunsdroši priekšmeti, piemēram, lapas, zāle, krūmājs utt. var aizdegties.

- Ļaujiet klusinātājam, dzinēja cilindram un ribām atdzist pirms pieskaršanās.
- Notīriet klusinātāja un cilindra tuvumā uzkrājušos gružus.
- Par Kalifornijas Publisko resursu kodeksa 4442. paragrāfa likumpārkāpumu skaitās šī dzinēja izmantošana vai darbināšana uz jebkuras zemes, kas pārklāta ar mežu, krūmiem vai zāli, ja dzinēja izpūtēja sistēma nav aprīkota ar dzirksteļu slāpētāju kā norādīts 4442. paragrāfā un tā netiek uzturēta darba kārtībā. Citos štatos vai federālo zemju jurisdikcijā var būt līdzīgi likumi. Sazinieties ar oriģinālās iekārtas izgatavotāju, mazumtirgotāju, vai tirdzniecības pārstāvi lai saņemtu dzirksteļu slāpētāju tai izpūtēja sistēmai, kāda uzstādīta uz šī dzinēja.

Notīriet sakrājušos gružus ap klusinātāju un cilindru. Apskatiet vai klusinātājam (A, Attēlu 6) nav pīsumu, rūsas bojājumu vai citādu bojājumu. Noņemiet dzirksteļu slāpētāju (B), ja ir aprīkojumā, un apskatiet vai nav bojājumi, vai pārņoļojuma aizsprostojumi. Ja atrasts bojājums, pirms darba uzsākšanas iemontējiet nomaināmās daļas.

**BRĪDINĀJUMS:** Nomaināmām daļām jābūt tādas pašas konstrukcijas un tām jābūt iemontētām tajā pašā vietā kā oriģinālajām daļām. Cita veida daļas var nedarboties tikpat labi, var sabojāt iekārtu un var izraisīt ievainojumu.

## Kā nomainīt eļļu - Attēlu 7 8 9 10

Izmantotā eļļa ir bīstami atkritumi, no kuriem atbilstošā veidā jāatbrīvojas. Neizmetiet kopā ar mājsaimniecības atkritumiem. Iespējas nodot drošai savākšanai/pārstrādei noskaidrojiet vietējās varas iestādēs, apkopes centrā vai pie pārstrāvja.

## Izlejiet eļļu

1. Nestrādājošam, bet vēl siltam dzinējam, atvienojiet aizdedzes sveces vadu (A) un turiet to atstatu no aizdedzes sveces (Attēlu 7).
2. Izņemiet eļļas izlaišanas aizbāzni (B, Attēlu 8). Izlejiet eļļu piemērotā tvertnē.
3. Kad eļļa izlaista, ievietojiet un pievelciet eļļas izlaišanas aizbāzni.

## Nomainiet eļļas filtru (ja ir aprīkojumā)




Daži modeļi ir aprīkoti ar eļļas filtru. Nomainās intervāli norādīti **Apkopes** diagrammā.

1. Izlaidiet eļļu no dzinēja. Skatīt **Eļļas izlaišanas** nodaļu.
2. Izņemiet eļļas filtru (C) un pareizi nododiet atkritumos. Skatīt Attēlu 9.
3. Pirms jūs ievietojiet jaunu eļļas filtru, viegli ieeļļojiet eļļas filtra starpliķu ar svaigu tīru eļļu.
4. Iegrieziet eļļas filtru ar roku līdz starpliķa saskaras ar eļļas filtra adapteru, tad pievelciet eļļas filtru 1/2 līdz 3/4 apgrieziena.
5. Pielejiet eļļu. Skatīt **Eļļas pieliešanas** nodaļu.
6. Iedarbiniet un darbiniet dzinēju. Kad dzinējs sasilis, pārbaudiet vai nav eļļas noplūde.
7. Apturiet dzinēju un pārbaudiet eļļas līmeni. Tam ir jābūt pie piepildījuma indikatora (full indicator) augšas uz mērstieņa (F) (Attēlu 10).

## Pielejiet eļļu

- Novietojiet dzinēju horizontāli.
  - Notīriet eļļas uzpildes vietu no jebkādiem gružiem.
  - Skatīt **Specifikāciju** nodaļu, kur uzrādīta eļļas ietilpība.
1. Izņemiet mērstieni (D) un noslaukiet ar tīru drānu (Attēlu 10).
  2. Lēni lejiet eļļu dzinēja eļļas uzpildnē (E). **Neieplūdiet par daudz.** Pēc eļļas ieliešanas, pagaidiet vienu minūti un tad pārbaudiet eļļas līmeni.
  3. Ievietojiet un pievelciet mērstieni.
  4. Izņemiet mērstieni un pārbaudiet eļļas līmeni. Tam ir jābūt pie piepildījuma indikatora (full indicator) augšas uz mērstieņa (F).
  5. Ievietojiet un pievelciet mērstieni.

## Kā apkopt gaisa filtru - Attēlu 11

**BRĪDINĀJUMS**  
 Degviela un tā garaiņi ir ārkārtīgi viegli uzliesmojoši un sprādzienbīstami.  
 Uguns vai sprādziens var izraisīt smagus apdegumus vai nāvi.




- Nekad neiedarbiniet vai nedarbiniet dzinēju, kad noņemts gaisa attīrītāja mezgls (ja ir aprīkojumā) vai gaisa filtrs (ja ir aprīkojumā).

**PIEZĪME:** Filtra tīrīšanai neizmantojiet saspiestu gaisu vai šķīdinātājus. Saspiests gaiss var sabojāt filtru un šķīdinātāji var izšķīdināt filtru.

Servisa prasības skatīt **Apkopes diagrammā**.

1. Attaisiet aizkritņus (A) un noņemiet pārvalku (B). Skatīt Attēlu 11.
2. Noņemiet uzgriezni (D) un aizturi (E).
3. Noņemiet gaisa filtru (F).
4. Noņemiet iepriekšējo tīrītāju (G), ja ir aprīkojumā, no gaisa filtra.
5. Lai atbrīvotu gružus, viegli paduziet gaisa filtru pret cietu virsmu. Ja gaisa filtrs ļoti netīrs, nomainiet ar jaunu gaisa filtru.
6. Mazgājiet iepriekšējo tīrītāju šķidrā mazgāšanas līdzeklī un ūdenī. Tad ļaujiet tam gaisā pilnīgi izžūt. **Neēļļojiet** iepriekšējo tīrītāju.
7. Piestipriniet sausu iepriekšējo tīrītāju pie gaisa filtra.
8. Ievietojiet gaisa filtru nostipriniet ar aizturi un uzgriezni.
9. Uzlieciet un nostipriniet pārvalku.

## Kā nomainīt degvielas filtru - Attēlu 12

**BRĪDINĀJUMS**  
 Degviela un tā garaiņi ir ārkārtīgi viegli uzliesmojoši un sprādzienbīstami.  
 Uguns vai sprādziens var izraisīt smagus apdegumus vai nāvi.

- Uzglabājiet degvielu atstatos no dzirkstelēm, atklātām liesmām, degļiem, karstuma un citiem aizdegšanās avotiem.
- Bieži pārbaudiet, vai degvielas caurulēm, tvertnei, vāciņiem un stiprinājumiem nav plaisas vai sūces. Nepieciešamības gadījumā nomainiet.
- Pirms degvielas filtra nomaināšanas, iztukšojiet degvielas tvertni vai aizveriet degvielas slēgvārstu.
- Rezerves daļām ir jābūt tādām pašām un tās jāuzstāda tādā pašā stāvoklī kā oriģinālās daļas.
- Ja degviela izlaistās, pirms dzinēja iedarbināšanas pagaidiet, līdz tā izgaro.

1. Pirms degvielas filtra nomaināšanas (A, Attēlu 12), ja ir aprīkojumā, iztukšojiet degvielas tvertni vai aizveriet degvielas slēgvārstu. Citādi degviela var izplūst ārā un izraisīt uzliesmojumu vai sprādzienu.

- Ar plakanknaiblēm saspiediet cilpiņas (B) uz savilcējiem (C), tad nobīdīet savilcējus no degvielas filtra. Groziet un velciet nost degvielas pievadus (D) no degvielas filtra.
- Pārbaudiet vai degvielas pievadus nav lūzumu vai noplūžu. Nomainiet, ja nepieciešams.
- Nomainiet degvielas filtru ar oriģinālo iekārtas nomaiņas filtru.
- Nostipriniet degvielas pievadus ar savilcējiem kā parādīts.

## Kā tīrīt gaisa dzesēšanas sistēmu - Attēlu 13

**BRĪDINĀJUMS**

Dzinēju darbināšana rada karstumu. Dzinēja daļas, it īpaši klusinātājs, kļūst ļoti karstas.

Saskares gadījumā var rasties smagi apdegumi.

Ugunsnedroši priekšmeti, piemēram, lapas, zāle, krūmājs utt. var aizdegties.

- Ļaujiet klusinātājam, dzinēja cilindram un ribām atdzist pirms pieskaršanās.
- Notīriet klusinātāja un cilindra tuvumā uzkrājušos gružus.

**PIEZĪME:** Neizmantojiet ūdeni lai tīrītu dzinēju. Ūdens var piesārņot degvielas sistēmu. Lai tīrītu dzinēju, lietojiet suku vai sausu drānu.

Šis ir dzinējs ar gaisa dzesēšanu. Netīrumi vai gruži var ierobežot gaisa plūsmu un var izraisīt dzinēja pārkaršanu, kas noved pie sliktas veiktspējas un samazināta dzinēja darbību.

Ar suku vai sausu drānu noņemiet gružus no pirkstu aizsarga (A). Uzturiet tīras sasaites, atsperes un vadības elementus (B). Uzturiet vietu ap un aiz klusinātāja (C) tīru no jebkādiem uzliesmojošiem gružiem (Attēlu 13). Pārļiecinieties, ka eļļas dzesētāja ribas (D) ir tīras no netīrumiem un gružiem.

## Uzglabāšana



### BRĪDINĀJUMS



Degviela un tā garaiņi ir ārkārtīgi viegli uzliesmojoši un sprādzienbīstami.



Uguns vai sprādziens var izraisīt smagus apdegumus vai nāvi.

Uzglabājot degvielu vai iekārtu ar degvielu tvertnē

- Uzglabājiet atstātus no kurtuvēm, plītiem, ūdenssildītājiem vai citām ierīcēm, kurām ir degļi vai citi aizdegšanās avoti, jo tie var izraisīt degvielas izgarojumu uzliesmošanu.

### Degvielas sistēma

Degviela var kļūt nostāvējusies, ja tā uzglabāta ilgāk par 30 dienām. Nostāvējusies degviela izraisa skābes un gumijas nosēdumu veidošanos degvielas sistēmā vai uz svarīgām karburatora daļām. Lai saglabātu degvielu svaigu, lietojiet degvielas piedevu **Briggs & Stratton Advanced Formula**, kas pieejama visās Briggs & Stratton oriģinālā rezervēs daļu tirdzniecības vietās.

Nav nepieciešams iztukšot benzīnu no dzinēja, ja degvielas stabilizators tiek pievienots saskaņā ar instrukcijām. Darbiniet dzinēju 2 minūtes lai stabilizators cirkulētu caur degvielas sistēmu pirms glabāšanas.

Ja benzīnam, kas atrodas dzinējā, nav ticis piemaisīts degvielas stabilizators, benzīns jāizlej piemērotā tvertnē. Darbiniet dzinēju, līdz tas apstājas degvielas izbeigšanās dēļ. Lai saglabātu svaigumu, tiek ieteikta degvielas stabilizatora piemaisīšana uzglabāšanas tvertnē.

### Dzinēja eļļa

Kamēr dzinējs ir silts, nomainiet dzinēja eļļu.

### Bojājumu novēršana

Nepieciešama palīdzība? Griezieties pie **VanguardEngines.com** vai piezvaniet **1-800-999-9333** (ASV).

## Specifikācijas

Dzinēja specifikācijas	
Modelis	290000
Darba tilpums	29,23 ci (479 cm <sup>3</sup> )
Cilindra diametrs	2,677 in (68 mm)
Virzuļa gājiens	2,598 in (66 mm)
Eļļas ietilpība	46 - 48 oz (1,36 - 1,42 L)

Dzinēja specifikācijas	
Modelis	300000
Darba tilpums	29,23 ci (479 cm <sup>3</sup> )
Cilindra diametrs	2,677 in (68 mm)
Virzuļa gājiens	2,598 in (66 mm)
Eļļas ietilpība	46 - 48 oz (1,36 - 1,42 L)

Noregulēšanas specifikācijas *	
Modelis	290000, 300000
Aizdedzes sveces sprauga	0,030 in (0,76 mm)
Aizdedzes sveces pievilkšanas moments	180 lb-in (20 Nm)
Indukcijas spoles (armature) gaisa sprauga	0,008 - 0,012 in (0,20 - 0,30 mm)
Ieplūdes vārsta atstarpe	0,004 - 0,006 in (0,10 - 0,15 mm)
Izplūdes vārsta atstarpe	0,004 - 0,006 in (0,10 - 0,15 mm)

Dzinēja specifikācijas	
Modelis	350000
Darba tilpums	34,78 ci (570 cm <sup>3</sup> )
Cilindra diametrs	2,835 in (72 mm)
Virzuļa gājiens	2,756 in (70 mm)
Eļļas ietilpība	46 - 48 oz (1,36 - 1,42 L)

Dzinēja specifikācijas	
Modelis	380000
Darba tilpums	38,26 ci (627 cm <sup>3</sup> )
Cilindra diametrs	2,972 in (75,5 mm)
Virzuļa gājiens	2,756 in (70 mm)
Eļļas ietilpība	46 - 48 oz (1,36 - 1,42 L)

Noregulēšanas specifikācijas *	
Modelis	350000, 380000
Aizdedzes sveces sprauga	0,030 in (0,76 mm)
Aizdedzes sveces pievilkšanas moments	180 lb-in (20 Nm)
Indukcijas spoles (armature) gaisa sprauga	0,008 - 0,012 in (0,20 - 0,30 mm)
Ieplūdes vārsta atstarpe	0,004 - 0,006 in (0,10 - 0,15 mm)
Izplūdes vārsta atstarpe	0,004 - 0,006 in (0,10 - 0,15 mm)

\* Dzinēja jauda samazināsies par 3,5% uz katrām 1 000 pēdām (300 metriem) virs jūras līmeņa un par 1% uz katru 10° F (5,6° C) virs 77° F (25° C). Šis dzinējs darbosies apmierinoši pie leņķa līdz 15°. Meklējiet iekārtas operatora rokasgrāmatā droša darba pieļaujamās robežas un slīpumiem.

### Vispārīga pielietojuma apkopes daļas ✓

Apkopes daļa	Daļas numurs
Gaisa filtrs - izņemot modeli: 358700, 380000	394018
Gaisa filtrs - modelis: 358700, 380000	692519
Gaisa filtra priekšattīrītājs - izņemot modeli: 358700, 380000	272490
Gaisa filtra priekšattīrītājs - modelis: 358700, 380000	692520
Eļļa - SAE 30	100028
Eļļas filtrs - 6 cm garumā	492932
Eļļas filtrs - 9 cm garumā	491056

Apkopes daļa	Daļas numurs
Degvielas filtrs - ar degvielas tvertni	808116
Degvielas filtrs - ar degvielas sūkni	691035
Degvielas filtrs - bez degvielas sūkņa	298090
Degvielas apstrādes un stabilizēšanas piedeva ar uzlabotu sastāvu	100117, 100120
Rezistora aizdedzes svece	491055
Ilgizturīga platīna aizdedzes svece	5066
Aizdedzes sveces atslēga	19374
Dzirksteles testeris	19368

✓ Mēs iesakām jums griezties pie jebkura autorizēta Briggs & Stratton pārstāvja visu dzinēju un dzinēju daļu apkopes un servisa veikšanai.

## IEROBEŽOTA GARANTIJA

Briggs & Stratton garantē, ka, zemāk norādītā garantijas perioda laikā, tas bez maksas salabos vai aizvietos jebkuru dzinēja daļu, kurai ir materiāla vai izgatavošanas defekts vai abi faktori. Transporta izdevumi par produktu, kas iesniegts remontam vai nomaīnai saskaņā ar šo garantiju, ir jāsedz pircējam. Šī garantija ir spēkā laika periodos un pie nosacījumiem, kas norādīti zemāk. Garantijas apkopes veikšanai, atrodiet tuvāko autorizēto apkopes pārstāvi mūsu pārstāvju meklēšanas kartē BRIGGSandSTRATTON.com. Pircējam ir jāsaņemas ar autorizēto apkopes pārstāvi un jānogādā tam prece apskatei un pārbaudei.

**Nav citas tiesas garantijas. Netiešas garantijas, ieskaitot tirdzniecībai un piemērotībai īpašiem nolūkiem, ir ierobežotas līdz zemāk norādītajam periodam vai līdz likumā atļautajam apjomam. Atbildība par nejaušiem vai sekojošiem kaitējumiem ir izslēgta līdz apjomam, kādā izslēgšana ir atļauta likumā.** Dažos štatos vai valstīs nav atļauti ierobežojumi netiešas garantijas ilgumam un dažos štatos vai valstīs nav atļauti izņēmumi vai ierobežojumi nejaušiem vai sekojošiem kaitējumiem, tādēļ augšminētais ierobežojums un izņēmums var uz jums neattiekties. Šī garantija dod jums noteiktas juridiskas tiesības, un jums var būt arī citas tiesības, kas dažādos štatos un valstīs ir atšķirīgas. \*\*

## STANDARTA GARANTIJAS NOTEIKUMI \* ▲

Zīmola/produkta tips	Patērētāja lietošana	Komerčiāla lietošana
Vanguard™ ■	3 gadi	3 gadi
Komerccsērija „Turf”™	2 gadi	2 gadi
Dzinēji ar Dura-Bore™ čuguna uznavu	2 gadi	1 gads
Visi citi Briggs & Stratton dzinēji	2 gadi	90 dienas

\* Šie ir mūsu standarta garantijas noteikumi, taču laiku pa laikam iespējams papildus garantijas segums, kāds netika noteikts publikācijas laikā. Lai iepazītos ar jūsu dzinējam pašreiz spēkā esošo garantijas noteikumu sarakstu, skatiet mājas lapā BRIGGSandSTRATTON.COM vai sazinieties ar jūsu autorizēto Briggs & Stratton servisa pārstāvi.

\*\* Austrālija: Visiem mūsu izstrādājumiem tiek nodrošināta garantija, kuru nevar atcelt Austrālijas likums par patērētāju tiesībām. Jums ir tiesības uz izstrādājuma aizvietošanu vai tā vērtības kompensāciju nozīmīga defekta gadījumā, kā arī tiesības uz kompensāciju citu pamatoti paredzamo zaudējumu vai defektu gadījumā. Jums arī ir tiesības uz izstrādājuma remontu vai aizvietošanu, ja izstrādājuma kvalitāte kļūst nepieņemama, pat ja defekts nav nozīmīgs. Garantijas apkopei atrodiet tuvāko autorizēto apkopes pārstāvi mūsu pārstāvju meklēšanas kartē BRIGGSandSTRATTON.COM, vai piezvanot pa tālruni 1300 274 447, sazinoties ar mums pa e-pastu salesenquiries@briggsandstratton.com.au vai rakstot uz sekojošo adresi: Briggs & Stratton Australia Pty Ltd, 1 Moorebank Avenue, Moorebank, NSW, Australia, 2170.

▲ Garantija netiek nodrošināta motoriem, kas tiek izmantoti iekārtu galvenā dzinējspēka vietā vai rezerves ģeneratoriem, ko izmanto komerciāliem mērķiem. Garantija netiek nodrošināta motoriem, ko izmanto ātrumsaīkstēm, kā arī komerciālos vai nomas kravas automobiļos.

■ Vanguard dzinēji, kas tiek izmantoti mājas rezerves ģeneratoru darbināšanai: 2 gadu patērētāja garantija, garantija komerciālai pielietošanai netiek sniegta. Vanguard dzinēji, kas ir uzstādīti vispārējās pielietošanas transporta līdzekļos: 2 gadu patērētāja garantija, 2 gadu garantija komerciālai pielietošanai. 3 cilindru Vanguard šķidrumsdzinējs: skatiet garantijas polisi Briggs & Stratton 3/LC dzinējiem.

Garantijas periods sākas pirmā mazumtirdzniecības patērētāja vai komerciāla galalietotāja pirkuma dienā. "Patērētāja lietošana" nozīmē mazumtirdzniecības patērētāja personīgu lietošanu mājāsainniecībā. "Komerčiāla lietošana" nozīmē jebkuru citu pielietojumu, tai skaitā komerciāliem, peļņas gūšanas vai iznomāšanas mērķiem. Ja dzinējs ir ticis izmantots komerciāli, turpmāk šis dzinējs attiecībā uz šo garantiju tiek uzskatīts par komerciāli lietotu.

**Saglabājiet pirkumu apstiprinošus dokumentus. Ja gadījumos, kad nepieciešams veikt garantijas apkopi, jūs nevarēsiet iesniegt sākotnējās iegādes datumu apstiprinošus pierādījumus, garantijas perioda noteikšanai tiks izmantots izstrādājuma izgatavošanas datums. Lai saņemtu garantijas pakalpojumus Briggs & Stratton izstrādājumiem, tos nav nepieciešams reģistrēt.**

## Par jūsu garantiju

Šī ierobežotā garantija attiecas tikai uz ar motoriem saistītiem materiāliem un/vai izgatavošanas problēmām, un nevis to iekārtu nomaiņšanu vai kompensēšanu, uz kurām motors var tikt uzstādīts. Garantijā netiek iekļauta ikdienas apkope, regulēšana, pielāgošana, kā arī normālais nodilums un nolietojums. Tāpat līdzīgi garantija netiek piemērota, ja motors ir pārveidots vai izmainīts, vai arī, ja ir bojāts vai noņemts motora sērijas numurs. Šī garantija netiek attiecināta uz lietotām, labotām un demonstrācijas iekārtām un motoriem. Šī garantija netiek attiecināta uz motora bojājumiem vai darbības traucējumiem, kuru cēlonis ir:

- 1 Daļu, kas nav oriģinālas Briggs & Stratton daļas, izmantošana;
- 2 Motora darbināšana ar nepietiekamu eļļas līmeni, piesārņotu vai nepareizas kvalitātes eļļu;
- 3 Piesārņotas vai sastāvējušas degvielas izmantošana, benzīna, kurā etilspirta saturs lielāks par 10%, vai alternatīvu degvielu, piemēram, sašķidrinātas naftas vai dabasgāzes izmantošana motoriem, ko Briggs & Stratton nav sākotnēji paredzējusi/izgatavojusi darbināšanai ar šādu degvielu;
- 4 Netīrumi, kas iekļuvuši motorā gaisa atfiltrētāja nepareizas apkopes vai salikšanas rezultātā;

- 5 Rotācijas zāles plāvēja nažu triecieni pret priekšmetiem, valīgi vai nepareizi uzstādīti nažu adapteri, lāpstīgrīteņi vai citas kloķvārpstai pievienotas ierīces vai pārmērīga ķīļsiksna nospriegošana;
- 6 Saistīto daļu vai mezglu, piemēram, sajūgu, transmisijas, iekārtu vadības ierīču utt., ko nav piegādājis Briggs & Stratton, lietošana.
- 7 Pārkāršana, kas notikusi dzesēšanas ribu vai spararata zonas piesārņošanas vai aizsērēšanas ar nopļautās zāles daļām, netīrumiem un gruziem vai grauzēju ligzdu dēļ, vai motora darbināšana bez pietiekamas ventilācijas;
- 8 Pārmērīga vibrācija, kuras cēlonis ir pārmērīgi motora apgriezieni, valīgi motora stiprinājumi, valīgi vai neizlīdzsvaroti naži vai lāpstīgrīteņi vai aprīkojuma nepareiza pievienošana kloķvārpstai;
- 9 Motora nepareiza ekspluatēšana, ikdienas apkopes neveikšana, nepareizi veikta pārsūtīšana, pārkraušana un uzglabāšana, vai motora nepareiza uzstādīšana.

**Garantijas apkope ir pieejama tikai caur Briggs & Stratton autorizētiem apkopes pārstāvjiem. Atrodiet tuvāko autorizēto apkopes pārstāvi mūsu pārstāvju meklēšanas kartē BRIGGSandSTRATTON.COM vai zvanot pa tālruni 1-800-233-3723 (ASV).**



## Informacje ogólne

Niniejsza instrukcja zawiera informacje dotyczące bezpieczeństwa mające na celu uświadomienie użytkownikowi zagrożeń i niebezpieczeństw związanych z silnikami oraz sposobu ich uniknięcia. Zawiera również instrukcje właściwego użytkowania i troski o silnik. Ponieważ firma Briggs & Stratton Corporation nie koniecznie wie, jakie urządzenie będzie napędzane niniejszym silnikiem, ważne jest przeczytanie i zrozumienie niniejszej instrukcji oraz instrukcji wyposażenia napędzanego niniejszym silnikiem. **Zachowaj oryginalną instrukcję do wykorzystania w przyszłości.**

W razie zapotrzebowania na części zamienne lub pomoc techniczną zapisz poniżej model, typ oraz kod silnika wraz z datą zakupu. Numery te umieszczone są na silniku (patrz **Właściwości i elementy sterownicze** strona).

Data zakupu: \_\_\_\_\_  
DD/MM/RRRR

Model silnika: \_\_\_\_\_  
Model: Typ: Kod:

**Moc znamionowa:** Etykiety dotyczące mocy znamionowej "brutto" dla poszczególnych modeli silników benzynowych spełniają lub przekraczają wymagania normy SAE (Society of Automotive Engineers - Stowarzyszenie Inżynierów Motoryzacji) kod J1940 (procedura wyznaczania mocy i momentu znamionowego dla małych silników), a parametry znamionowe zostały wyznaczone zgodnie z normą SAE J1995. Wartości momentów są wyznaczone przy 2600 obr/min dla silników oznaczonych „rpm” na etykietach oraz przy 3060 obr/min dla wszystkich innych silników; wartości mocy wyznaczone są przy 3600 obr/min. Wykresy mocy „brutto” pokazane są na stronie internetowej [www.BRIGGSandSTRATTON.COM](http://www.BRIGGSandSTRATTON.COM). Wartości mocy znamionowej "netto" wyznaczone są z zainstalowanym układem wydechowym i filtrem powietrza, natomiast wartości mocy „brutto” wyznaczone są bez tego wyposażenia. Rzeczywista moc silnika "brutto" będzie wyższa niż moc "netto" i mają na nią, między innymi, wpływ warunki otoczenia oraz zmienność charakterystyki między poszczególnymi egzemplarzami silników. Uwzględniając szeroką paletę produktów, w których stosowane są silniki, silnik benzynowy może nie osiągać znamionowej mocy "brutto" w przypadku zastosowania w danym urządzeniu. Różnica wynika z różnych czynników, w tym, między innymi, wyposażenia (filtry powietrza, wydech, zasilanie, chłodzenie, gaźnik, pompa paliwa itp.), ograniczeń zastosowania, warunków otoczenia (temperatura, wilgotność, wysokość pracy) oraz zmienności charakterystyki między poszczególnymi egzemplarzami silników. Ze względu na ograniczenia produkcyjne i związane z wydajnością, Briggs & Stratton może zastąpić silnik tej serii silnikiem wyższej mocy.

## Bezpieczeństwo operatora

### SYMBOLE BEZPIECZEŃSTWA I STEROWANIA



Pożar



Części ruchome



Olej



Opary toksyczne



Wolne



Szybkie



Zatrzymać



Eksplozja



Porażenie prądem



Paliwo



Przepustnica ssania



Włączanie Wyłączanie



Odcinanie paliwa



Odbicie



Stosować ochronę oczu



Niebezpieczne chemikalia




Przeczytaj instrukcję




Gorąca powierzchnia




Odmrożenie

Symbol ostrzeżenia  stosowany jest do wskazania informacji dotyczących zagrożeń bezpieczeństwa, które mogą prowadzić do uszkodzenia ciała. Słowo ostrzegawcze (NIEBEZPIECZEŃSTWO, OSTRZEŻENIE lub PRZESTROGA) stosowane jest razem z symbolem ostrzegawczym w celu wskazania prawdopodobnej i potencjalnej możliwości uszkodzenia ciała. Dodatkowo symbol zagrożenia może być stosowany do wskazania rodzaju zagrożenia.

 Słowo **NIEBEZPIECZEŃSTWO** wskazuje na niebezpieczeństwo, które w razie jego nieuniknięcia, może doprowadzić do śmierci lub poważnego urazu ciała.

 Słowo **OSTRZEŻENIE** wskazuje na niebezpieczeństwo, które w razie jego nieuniknięcia, może doprowadzić do śmierci lub poważnego urazu ciała.

 **PRZESTROGA** wskazuje na niebezpieczeństwo, które w razie jego nieuniknięcia, może doprowadzić do drobnego lub średniego urazu ciała.

**UWAGA** wskazuje sytuację, która może doprowadzić do uszkodzenia produktu.



### OSTRZEŻENIE

Niektóre składniki tego produktu i związane z nim akcesoria zawierają substancje chemiczne, które na podstawie informacji dostępnych w stanie Kalifornia mogą powodować raka, wady wrodzone i inne zaburzenia w czynnościach reprodukcyjnych.



### OSTRZEŻENIE

Na podstawie informacji dostępnych w stanie Kalifornia spaliny powstałe wskutek rozkładu tego produktu mogą zawierać substancje chemiczne powodujące raka, wady wrodzone lub inne zaburzenia w czynnościach reprodukcyjnych.



### OSTRZEŻENIE

Silniki firmy Briggs & Stratton nie są przeznaczone i nie należy ich używać do napędzania funktów, gokartów, pojazdów dla dzieci, rekreacyjnych lub sportowych wszędolazów (ATV), motocykli, poduszkowców; produktów lotniczych; lub pojazdów używanych w wyścigach nie zatwierdzonych przez firmę Briggs & Stratton. Informacje na temat produktów przeznaczonych do wyścigów podano na stronie [www.briggsracing.com](http://www.briggsracing.com). Odnośnie użycia w pojazdach użytkowych i terenowych prosimy skontaktować się z Briggs & Stratton Engine Application Center, 1-866-927-3349. Niewłaściwe zastosowanie silnika może spowodować poważne obrażenia lub śmierć.

**UWAGA:** Niniejszy silnik wysłany jest z Briggs & Stratton bez oleju. Przed uruchomieniem silnika należy pamiętać o dodaniu oleju, zgodnie z opisem zawartym w niniejszej instrukcji. W przypadku uruchomienia silnika bez oleju, silnik zostanie uszkodzony w sposób uniemożliwiający naprawę i nie będzie objęty gwarancją.



## OSTRZEŻENIE



**Paliwo i jego opary stanowią duże zagrożenie ze względu na ich łatwopalność i wybuchowość.**

**Pożar lub wybuch mogą przyczynić się do poważnych poparzeń lub doprowadzić do śmierci.**

### Podczas uzupełniania paliwa

- Wylączyć silnik i pozwolić mu ochłodzić się przez co najmniej 2 minuty, zanim zostanie zdjęty korek wlewu paliwa.
- Napełniać zbiornik paliwa na powietrzu lub w dobrze wentylowanym pomieszczeniu.
- Nie przepelniać zbiornika paliwa. W celu umożliwienia rozszerzania benzyny nie napełniać powyżej dołu szyjki wlewu do zbiornika.
- Paliwo należy przechowywać z dala od isker, otwartych płomieni, lampek kontrolnych, ciepła i innych źródeł zapłonu.
- Sprawdzić przewody paliwa, zbiornik, korek wlewu i osprzęt pod kątem pęknięć lub przecieków. Jeżeli zajdzie potrzeba, wymienić.
- W przypadku rozlania paliwa należy odczekać z uruchomieniem silnika aż do jego wyparowania.

### Podczas rozruchu silnika

- Upewnić się, czy świeca zapłonowa, tłumik, korek wlewu paliwa i filtr powietrza (jeśli jest na wyposażeniu) znajdują się we właściwym miejscu i czy są dobrze przymocowane.
- Nie obracać wałem korbowym silnika, kiedy świeca zapłonowa jest wykręcona.
- W przypadku zalania silnika należy ustawić przepustnicę ssania (jeżeli jest na wyposażeniu) w pozycji OTWARTEJ/pracy, przepustnicę (jeżeli jest na wyposażeniu) w pozycji SZYBKIEJ pracy i obracać wałem korbowym, aż silnik zacznie pracować.

### Podczas pracy urządzenia

- Silnika lub urządzenia nie należy przechylać pod kątem, gdyż może to spowodować rozlanie paliwa.
- Nie włączać ssania dla zatrzymania silnika.
- Nigdy nie uruchamiać lub nie pracować silnikiem z wymontowanym filtrem powietrza (jeśli jest na wyposażeniu) lub wyjętym wkładem filtra (jeśli jest na wyposażeniu).

### Podczas wymiany oleju

- Jeżeli olej spuszcza jest przez wlew oleju, zbiornik paliwa musi być pusty lub może dojść do wycieku paliwa, który może spowodować pożar lub wybuch.

### Przechylanie zespołu do celów konserwacji

- Jeżeli wykonuje się konserwację, która wymaga przechylenia zespołu, zbiornik paliwa musi być opróżniony, gdyż w przeciwnym wypadku może dojść do wycieku paliwa, który może spowodować pożar lub wybuch.

### Podczas transportu urządzenia

- Transportować z PUSTYM zbiornikiem paliwa lub z ZAMKNIĘTYM zaworem odcinającym paliwo.

### W przypadku magazynowania paliwa lub urządzeń z paliwem w zbiorniku

- Przechowywać z dala od pieców, grzejników wody lub innych urządzeń z lampkami kontrolnymi lub innymi źródłami zapłonu, ponieważ mogą one spowodować zapalenie oparów paliwa.



## OSTRZEŻENIE



**Rozruchowi silnika towarzyszy iskrzenie.**

**Iskrzenie może spowodować zapalenie znajdujących się w pobliżu łatwopalnych gazów.**

**Może to być przyczyną wybuchu i pożaru.**

- Jeżeli na terenie nastąpi wyciek gazu ziemnego lub innego gazu płynnego, nie należy uruchamiać silnika.
- Nie stosować płynów typu "samostart" w aerozolu, ponieważ ich opary są łatwopalne.



## OSTRZEŻENIE



**Pracujący silnik wydziela ciepło. Niektóre części silnika, w szczególności tłumik, stają się bardzo gorące.**

**Przy kontakcie z nimi mogą powstać poważne oparzenia.**



**Łatwopalne pozostałości w postaci liści, trawy, brudu, itd. mogą się łatwo zapalić.**

- Przed dotknięciem tłumika, cylindra silnika i żeberek odczekać aż do ich schłodzenia.
- Usunąć zgromadzony łatwopalny brud z okolic tłumika i cylindra.
- Naruszeniem kodeksu Zasobów Publicznych stanu Kalifornia, rozdział 4442, jest używanie lub obsługa silnika na terenie leśnym, pokrytym krzewami lub trawą, chyba że układ wydechowy wyposażony jest w gasik isker, zgodnie z definicją podaną w rozdziale 4442 oraz utrzymywany w stanie sprawnym. Inne stany lub jurysdykcje federalne mogą mieć podobne przepisy. Skontaktuj się z producentem wyposażenia oryginalnego, sprzedawcą detalicznym lub hurtowym, aby otrzymać gasik isker zaprojektowany dla układu wydechowego zainstalowanego w tym silniku.



## OSTRZEŻENIE



**NIEBEZPIECZEŃSTWO TRUJĄCY GAZ.** Gazy spalinowe silnika zawierają tlenek węgla, trujący gaz, który może zabić cię w ciągu minut. **NIE MOŻESZ zobaczyć go, powąchać lub posmakować.** Nawet jeśli nie czujesz gazu spalinowego, wciąż możesz być narażony na tlenek węgla. Jeśli poczujesz się niezdrowo, będziesz oszołomiony lub oślabiony używając tego produktu, wyłącz go i wyjdź NATYCHMIAST na świeże powietrze. Udaj się do lekarza. Możesz być zatruty tlenkiem węgla.

- Korzystaj z tego produktu WYŁĄCZNIE na zewnątrz z dala od okien, drzwi i otworów wentylacyjnych, aby zmniejszyć ryzyko gromadzenia się tlenku węgla i potencjalnego wciągnięcia go do pomieszczeń zajmowanych przez ludzi.
- Zainstaluj bateryjne alarmy tlenku węgla lub alarmy tlenku węgla wkładane do gniazdka z podtrzymaniem bateryjnym zgodnie z instrukcją producenta. Alarmy z detektorem dymu nie mogą wykryć tlenku węgla.
- NIE korzystaj z tego produktu wewnątrz domów, garaży, piwnic, piwnic niskich, komórek lub innych częściowo zamkniętych przestrzeni nawet wtedy, gdy używa się wentylatorów lub otwiera drzwi i okna w celu wentylacji. Tlenek węgla może szybko zgromadzić się w tych miejscach i może zalegać godzinami, nawet po wyłączeniu tego produktu.
- ZAWSZE umieść ten produkt z wiatrem i skieruj wydech silnika z dala od pomieszczeń używanych przez ludzi.



## OSTRZEŻENIE



**Gwałtowne wciąganie linki rozrusznika (odbicie) bardzo mocno szarpnie rękę w kierunku silnika.**

**W następstwie może dojść do złamania, pęknięcia kości, powstania siniaków lub nadciągnięcia mięśnia albo ścięgna.**

- W celu uruchomienia silnika ciągnąć powoli uchwyt rozrusznika ręcznego do wycucia oporu, a następnie pociągnąć gwałtownie, aby uniknąć odbicia.
- Przed rozruchem silnika rozłączyć urządzenia zewnętrzne/obciążenie silnika.
- Części składowe urządzenia takie jak ostrza, wirniki, koła pasowe, koła łańcuchowe, itd. należy zamocować w sposób bezpieczny.



## OSTRZEŻENIE



**Ręce, stopy, włosy lub dodatki do ubrań mogą zostać wciągnięte lub zaplątać się w wirujące części.**

**Wskutek tego może dojść do odcięcia kończyny lub okaleczenia.**

- Urządzenie należy obsługiwać z osłonami znajdującymi się we właściwych miejscach.
- Ręce i nogi należy trzymać z dala od części obracających się.
- Długie włosy należy związać, a biżuterię zdjąć.
- Nie należy nosić luźnej odzieży, zwisających sznurków ściągających ubranie lub przedmiotów, które mogą dostać się do części wirujących.



## OSTRZEŻENIE



**Nieumyślne iskrzenie może doprowadzić do pożaru lub porażenia elektrycznego.**

**Nieumyślny rozruch może doprowadzić do zaplątania, odcięcia kończyny lub okaleczenia.**



**Zagrożenie pożarowe**

### Przed dokonywaniem regulacji lub napraw

- Odcłócić przewód świecy zapłonowej i odsunąć go od świecy.
- Rozłączyć akumulator przy zacisku ujemnym (tylko w przypadku silników z rozrusznikiem elektrycznym).
- Stosować należy jedynie właściwe narzędzia.
- Nie wolno manipulować sprężynami, cięgnami lub innymi częściami regulatora obrotów w celu zwiększenia prędkości obrotowej silnika.
- Części zamienne muszą być takiej samej konstrukcji i muszą zostać zamontowane w takim samym położeniu, jak części oryginalne. Inne części mogą nie działać tak dobrze, mogą spowodować uszkodzenie silnika i mogą prowadzić do urazu.
- Nie wolno uderzać w koło zamachowe młotkiem lub innymi twardymi przedmiotami, ponieważ koło może później rozpaść się w czasie pracy silnika.

### Podczas sprawdzania iskry

- Należy użyć właściwego testera świec.
- Nie należy sprawdzać iskry na wykręconej świecy zapłonowej.

# Funkcje i elementy sterowania

Porównaj ilustrację <sup>1</sup> z silnikiem w celu zapoznania się z położeniem różnych funkcji oraz elementów sterowania.

- A. Identyfikacja silnika  
**Model Typ Kod**
- B. Świeca zapłonowa
- C. Filtr powietrza
- D. Miarka poziomu oleju/wlew oleju
- E. Filtr oleju (opcjonalna)
- F. Korek spustu oleju
- G. Czujnik ciśnienia oleju
- H. Oslona palców
- I. Rozrusznik elektryczny
- J. Rozrusznik ręczny (opcjonalny)
- K. Gaźnik
- L. Kolektor wydechowy
- M. Pompa paliwowa
- N. Filtr paliwa (opcjonalny)
- O. Chłodnica oleju (opcjonalna)
- P. Tłumik (opcjonalna)

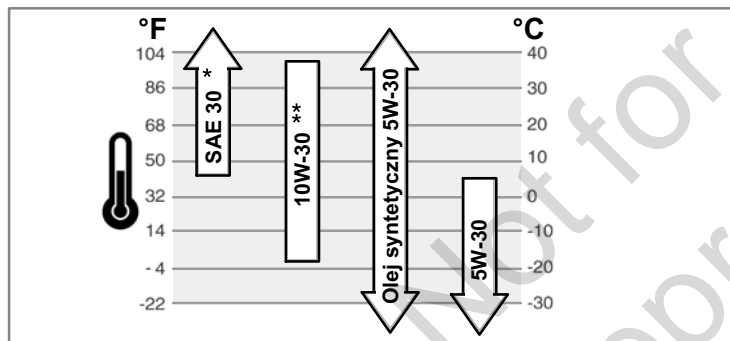
## Użytkowanie

Pojemność miski olejowej (patrz rozdział **Dane techniczne**)

### Zalecenia dotyczące oleju

W celu uzyskania najlepszych osiągnięć zalecamy korzystanie z certyfikowanego gwarancyjnie oleju Briggs & Stratton. Dopuszczalne są pozostałe oleje wysokiej jakości olej z dodatkiem detergentu, jeżeli noszą oznaczenie "For Service SF, SG, SH, SJ" lub wyższe. Nie należy stosować specjalnych dodatków.

Odpowiednią lepkość oleju w silniku określa temperatura otoczenia. Skorzystać z wykresu, aby dobrać najlepszą lepkość oleju dla zakresu temperatur otoczenia.



\* Jeśli olej SAE 30 zostanie użyty w temperaturze poniżej 4°C, wystąpią trudności z uruchomieniem silnika.

\*\* Zastosowanie oleju 10W-30 w temperaturach wyższych niż 27°C może spowodować wyższe niż normalne zużycie oleju. Należy częściej sprawdzać poziom oleju.

### Sprawdzenie poziomu/dodawanie oleju - Rysunek <sup>2</sup>

Przed dodaniem lub sprawdzeniem poziomu oleju

- Ustawić silnik poziomo.
- Oczyszczyć z wszelkich zanieczyszczeń obszar wlewu oleju.
- 1. Wyjąć miarkę poziomu (A) i wytrzeć czystą szmatką (Rysunek 2).
- 2. Całkowicie włożyć miarkę poziomu oleju.
- 3. Wyjąć ponownie miarkę poziomu oleju i sprawdzić poziom oleju. Powinien on znajdować się na górnej części znaku całkowitego napełnienia (B) na miarce poziomu.
- 4. Jeżeli jest niski, dodać oleju, dolewając go powoli do wlewu oleju (C). **Nie przepelniać.** Po nalaniu oleju odczekać jedną minutę i sprawdzić poziom oleju.
- 5. Całkowicie włożyć miarkę poziomu oleju.

### Ciśnienie oleju

Jeżeli ciśnienie oleju jest zbyt niskie przełącznik ciśnieniowy (jeżeli jest na wyposażeniu) albo wyłączy silnik albo uruchomi urządzenie ostrzegawcze. Jeżeli to nastąpi, wyłączyć silnik i sprawdzić poziom oleju za pomocą miarki poziomu.

Jeżeli poziom oleju jest poniżej znaku ADD (Dodaj), dolewać oleju do osiągnięcia poziomu znaku FULL (Pełny). Uruchomić silnik i przed kontynuowaniem pracy sprawdzić, czy ciśnienie oleju jest prawidłowe.

Jeżeli poziom oleju znajduje się między znakami ADD (Dodaj) i FULL (Pełny), **nie uruchamiać** silnika. Skontaktować się z autoryzowanym serwisem Briggs & Stratton w celu usunięcia problemu z ciśnieniem oleju.

### System ochrony przed niskim poziomem oleju (jeśli jest na wyposażeniu)

Niektóre silniki wyposażone są w czujnik niskiego poziomu oleju. Jeśli poziom oleju jest niski, czujnik aktywuje lampkę ostrzegającą lub zatrzymuje silnik. Zatrzymaj silnik i postępuj zgodnie z podanymi krokami przez ponownym uruchomieniem silnika.

- Upewnij się, czy silnik jest wypoziomowany.
- Sprawdź poziom oleju. Patrz rozdział **Sprawdzenie poziomu/dodawanie oleju.**
- Jeśli poziom oleju jest niski, dodaj odpowiednią ilość oleju. Uruchom silnik i upewnij się, czy lampka ostrzegawcza (jeśli jest na wyposażeniu) nie świeci się.
- Jeżeli poziom oleju nie jest niski, **nie uruchamiaj** silnika. Skontaktuj się z autoryzowanym serwisem Briggs & Stratton w celu usunięcia problemu z olejem.

### Zalecenia dotyczące paliwa

Paliwo musi spełniać następujące wymagania:

- Czysta, świeża benzyna bezołowiowa.
- Minimalna liczba oktanowa 87/87 AKI (91 RON). W przypadku pracy na wysokim pułapie, patrz poniżej.
- Dozwolona jest benzyna o zawartości do 10% etanolu (gazoholu).

**UWAGA:** Nie wolno stosować niedopuszczonych benzyn takich jak E15 i E85. Nie wolno mieszać oleju napędowego z benzyną lub modyfikować silnika w celu dostosowania do pracy na paliwach alternatywnych. Użycie niezatwierdzonych paliw może doprowadzić do nieobjętych gwarancją uszkodzeń podzespołów silnika.

W celu ochrony układu paliwowego przed tworzeniem się żywic, należy wymieszać paliwo ze stabilizatorem paliwa. Patrz **Przechowywanie.** Każde paliwo jest inne. W przypadku wystąpienia problemów z uruchamianiem lub wydajnością, zmień dostawcę lub gatunek stosowanego paliwa. Silnik przystosowany jest do zasilania benzyną. System ograniczenia zanieczyszczeń w spalinach dla silnika, to EM (modyfikacje silnika).

### Zastosowanie na dużej wysokości

Na wysokościach powyżej 1524 metrów dopuszczalna jest benzyna o minimalnej liczbie oktanowej 85/85 AKI (89 RON).

W przypadku silników gaźnikowych wymagana jest regulacja na dużych wysokościach, aby spełnić wymogi dotyczące emisji. Praca bez tej regulacji spowoduje zmniejszenie wydajności, zwiększenie zużycia paliwa i zwiększenie emisji. Skontaktować się z autoryzowanym sprzedawcą serwisowym firmy Briggs & Stratton, aby uzyskać informacje na temat regulacji na dużych wysokościach. Nie zaleca się pracy silnika na wysokościach poniżej 762 metry (2500 stóp) z regulacją dla dużych wysokości.

W przypadku silników z elektronicznym wtryskiem paliwa (EFI) nie jest potrzebna regulacja na dużych wysokościach.

### Dodawanie paliwa - Rysunek <sup>3</sup>



#### OSTRZEŻENIE

Paliwo i jego opary stanowią duże zagrożenie ze względu na ich łatwopalność i wybuchowość.



Pożar lub wybuch mogą przyczynić się do poważnych poparzeń lub doprowadzić do śmierci.

Podczas uzupełniania paliwa

- Wyłączyć silnik i pozwolić mu ochłodzić się przez co najmniej 2 minuty, zanim zostanie zdjęty korek wlewu paliwa.
- Napełniać zbiornik paliwa na powietrzu lub w dobrze wentylowanym pomieszczeniu.
- Nie przepelniać zbiornika paliwa. W celu umożliwienia rozszerzania benzyny nie napełniać powyżej dołu szyjki wlewu do zbiornika.
- Paliwo należy przechowywać z dala od isker, otwartych płomieni, lampek kontrolnych, ciepła i innych źródeł zapłonu.
- Sprawdzić przewody paliwa, zbiornik, korek wlewu i osprzęt pod kątem pęknięć lub przecieków. Jeżeli zajdzie potrzeba, wymienić.
- W przypadku rozlania paliwa należy odczekać z uruchomieniem silnika aż do jego wyparowania.

1. Oczyszczyć obszar wokół korka wlewu paliwa z zabrudzeń i zanieczyszczeń. Odkręcić korek wlewu paliwa (A, Rysunek 3).
2. Napełnić zbiornik paliwa (B) benzyną. W celu umożliwienia rozszerzania benzyny nie napełniać powyżej dołu szyjki wlewu do zbiornika (C).
3. Ponownie założyć korek wlewu paliwa.

### Uruchamianie silnika - Rysunek <sup>4</sup>



#### OSTRZEŻENIE

Gwałtowne wciąganie linki rozrusznika (odbicie) bardzo mocno szarpnie rękę w kierunku silnika.

W następstwie może dojść do złamania, pęknięcia kości, powstania siniaków lub nadciągnięcia mięśnia albo ścięgna.

- W celu uruchomienia silnika ciągnąć powoli uchwyt rozrusznika ręcznego do wycucia oporu, a następnie pociągnąć gwałtownie, aby uniknąć odbicia.



## OSTRZEŻENIE



**Paliwo i jego opary stanowią duże zagrożenie ze względu na ich łatwopalność i wybuchowość.**



**Pożar lub wybuch mogą przyczynić się do poważnych poparzeń lub doprowadzić do śmierci.**

### Podczas rozruchu silnika

- Upewnij się, czy świeca zapłonowa, tłumik, korek wlewu paliwa i filtr powietrza (jeśli jest na wyposażeniu) znajdują się we właściwym miejscu i czy są dobrze przymocowane.
- Nie obracać wałem korbowym silnika, kiedy świeca zapłonowa jest wykręcona.
- W przypadku zalania silnika należy ustawić przepustnicę ssania (jeżeli jest na wyposażeniu) w pozycji OTWARTEJ/pracy, przepustnicę (jeżeli jest na wyposażeniu) w pozycji SZYBKIEJ pracy i obracać wałem korbowym, aż silnik zacznie pracować.



## OSTRZEŻENIE



**NIEBEZPIECZEŃSTWO TRUJĄCY GAZ. Gazy spalinowe silnika zawierają tlenek węgla, trujący gaz, który może zabić cię w ciągu minut. NIE MOŻESZ zobaczyć go, powąchać lub posmakować. Nawet jeśli nie czujesz gazu spalinowego, wciąż możesz być narażony na tlenek węgla. Jeśli poczujesz się niezdrowo, będziesz oszołomiony lub osłabiony używając tego produktu, wyłącz go i wyjdź NATYCHMIAST na świeże powietrze. Udaj się do lekarza. Możesz być zatruty tlenkiem węgla.**

- Korzystaj z tego produktu WYŁĄCZNIE na zewnątrz z dala od okien, drzwi i otworów wentylacyjnych, aby zmniejszyć ryzyko gromadzenia się tlenku węgla i potencjalnego wciągnięcia go do pomieszczeń zajmowanych przez ludzi.
- Zainstaluj bateryjne alarmy tlenku węgla lub alarmy tlenku węgla wkładane do gniazdzka z podtrzymaniem bateryjnym zgodnie z instrukcją producenta. Alarmy z detektorem dymu nie mogą wykryć tlenku węgla.
- NIE korzystaj z tego produktu wewnątrz domów, garaży, piwnic, piwnic niskich, komórek lub innych częściowo zamkniętych przestrzeni nawet wtedy, gdy używa się wentylatorów lub otwiera drzwi i okna w celu wentylacji. Tlenek węgla może szybko zgromadzić się w tych miejscach i może zalegać godzinami, nawet po wyłączeniu tego produktu.
- ZAWSZE umieść ten produkt z wiatrem i skieruj wydech silnika z dala od pomieszczeń używanych przez ludzi.

**UWAGA:** Niniejszy silnik wysyłany jest z Briggs & Stratton bez oleju. Przed uruchomieniem silnika należy pamiętać o dodaniu oleju, zgodnie z opisem zawartym w niniejszej instrukcji. W przypadku uruchomienia silnika bez oleju, silnik zostanie uszkodzony w sposób uniemożliwiający naprawę i nie będzie objęty gwarancją.

**Uwaga:** Niektóre silniki i wyposażenie mają zdalne sterowanie. Położenie i sposób obsługi elementów zdalnego sterowania, patrz instrukcja wyposażenia.

1. Sprawdzić poziom oleju w silniku. Patrz rozdział **Sprawdzenie poziomu/dodawanie oleju**.
2. Upewnij się, czy elementy sterowania napędem, jeżeli są, są odłączone.
3. Obrócić zawór odcinający paliwa (A), jeżeli jest na wyposażeniu, do położenia otwarcia (Rysunek 4).
4. Wcisnąć wyłącznik (F), jeżeli jest na wyposażeniu, do położenia włączenia.

## Konserwacja

Zalecamy skontaktowanie się z autoryzowanym dealerem Briggs & Stratton w kwestiach konserwacji i napraw silnika i części silnika.



**UWAGA:** W celu zapewnienia prawidłowego działania silnika wszystkie elementy wykorzystane do jego wytworzenia muszą pozostawać na swoim miejscu.




**OSTRZEŻENIE:** Jeżeli wykonuje się konserwację, która wymaga przechylenia zespołu, zbiornik paliwa musi być opróżniony, gdyż w przeciwnym wypadku może dojść do wycieku paliwa, który może spowodować pożar lub wybuch.

## Kontrola emisji spalin

Konserwacja, wymiana lub naprawa urządzeń i systemów przeznaczonych do kontroli emisji spalin może być wykonywana przez dowolny terenowy warsztat naprawy silników lub osobę indywidualną. Jednak, aby uzyskać "bezpłatny" serwis urządzeń kontroli emisji spalin, czynność tam musi być wykonywana przez autoryzowanego sprzedawcę fabrycznego. Patrz Gwarancja emisji.

5. Przesunąć dźwignię sterowania przepustnicą (B), do położenia szybkiej pracy . Pracować silnikiem z dźwignią sterowania przepustnicą w położeniu szybkiej pracy .

6. Przewrócić dźwignię przepustnicy ssania (C) do położenia ssanie .

**Uwaga:** Podczas ponownego uruchamiania ciepłego silnika, stosowanie przepustnicy ssania zwykle nie będzie konieczne.

7. **Rozruch ręczny:** Obrócić kluczyk zapłonu (D), jeżeli jest na wyposażeniu, do położenia pracy.

8. **Rozruch ręczny:** Mocno chwycić uchwyt rozrusznika linkowego (E). Ciągnąć powoli uchwyt rozrusznika ręcznego do wycucia oporu, a następnie pociągnąć gwałtownie.

**UWAGA:** Jeżeli silnik nie uruchomi się po kilku próbach, skontaktować się z lokalnym sprzedawcą lub skorzystać z [VanguardEngines.com](http://VanguardEngines.com) or call **1-800-999-9333** (w USA).




**OSTRZEŻENIE:** Gwałtowne zwiniecie linki rozrusznika (odbicie) spowoduje szybsze niż powinien pozwolić, przyciągnięcie ręki i ramienia do silnika. Może to spowodować złamania kości, pęknięcia, zranienia lub zwichnięcia. W celu uruchomienia silnika ciągnąć powoli uchwyt rozrusznika ręcznego do wycucia oporu, a następnie pociągnąć gwałtownie, aby uniknąć odbicia.

9. **Rozruch elektryczny:** Obrócić przełącznik rozrusznika (D) do położenia włączony/start.

**UWAGA:** Jeżeli silnik nie uruchomi się po kilku próbach, skontaktować się z lokalnym sprzedawcą lub skorzystać z [VanguardEngines.com](http://VanguardEngines.com) or call **1-800-999-9333** (w USA).

**UWAGA:** W celu przedłużenia żywotności rozrusznika, stosować krótkie cykle rozruchu (maksymalnie pięć sekund). Pomiedzy kolejnymi próbami rozruchu odczekać jedną minutę.

10. Po nagrzanym się silnika, przesunąć sterowanie przepustnicą ssania (C) do położenia praca .

## Wyłączanie silnika - Rysunek 4



### OSTRZEŻENIE




**Paliwo i jego opary stanowią duże zagrożenie ze względu na ich łatwopalność i wybuchowość.**



**Pożar lub wybuch mogą przyczynić się do poważnych poparzeń lub doprowadzić do śmierci.**

- Nie włączać ssania dla zatrzymania silnika.

1. Przewrócić dźwignię sterowania przepustnicą (B) do położenia  wolnej pracy, obrócić kluczyk zapłonu (D) do położenia wyłączenia (Rysunek 4). Wyjąć kluczyk i trzymać w bezpiecznym miejscu, poza zasięgiem dzieci.

2. Wcisnąć wyłącznik (F), jeżeli jest na wyposażeniu, do położenia wyłączenia.

3. Po wyłączeniu silnika zamknąć zawór podcinający paliwa (A), jeżeli znajduje się na wyposażeniu.



### OSTRZEŻENIE



**Nieumyślne iskrzenie może doprowadzić do pożaru lub porażenia elektrycznego.**



**Nieumyślny rozruch może doprowadzić do zaplądania, odcięcia kończyny lub okaleczenia.**



**Zagrożenie pożarowe**

### Przed dokonywaniem regulacji lub napraw

- Odcząć przewód świecy zapłonowej i odsunąć go od świecy.
- Rozłączyć akumulator przy zacisku ujemnym (tylko w przypadku silników z rozrusznikiem elektrycznym).
- Stosować należy jedynie właściwe narzędzia.
- Nie wolno manipulować sprężynami, cięgnaami lub innymi częściami regulatora obrotów w celu zwiększenia prędkości obrotowej silnika.
- Części zamienne muszą być takiej samej konstrukcji i muszą zostać zamontowane w takim samym położeniu, jak części oryginalne. Inne części mogą nie działać tak dobrze, mogą spowodować uszkodzenie silnika i mogą prowadzić do urazu.
- Nie wolno uderzać w koło zamachowe młotkiem lub innymi twardymi przedmiotami, ponieważ koło może później rozpaść się w czasie pracy silnika.

### Podczas sprawdzania iskry

- Należy użyć właściwego testera świec.
- Nie należy sprawdzać iskry na wykręconej świecy zapłonowej.

## Schemat konserwacji

### Po każdych 8 godzinach pracy lub codziennie

- Sprawdzić poziom oleju w silniku.
- Oczyszczyć obszar dookoła tłumika elementów sterowania.

### Co każde 100 godzin lub co roku

- Oczyszczyć lub wymienić filtr powietrza \*
- Oczyszczyć wkład filtra wstępnego powietrza (jeżeli jest na wyposażeniu) \*
- Wymienić olej silnikowy i filtr oleju
- Wymienić świecę zapłonową
- Sprawdzić tłumik i chwytacz iskier

### Co każde 250 godzin lub co roku

- Sprawdzenie luzów zaworowych. Jeśli trzeba wyregulować.

### Co każde 400 godzin lub co roku

- Wymiana wkładu filtra powietrza
- Wymienić filtr paliwa
- Oczyszczenie układu chłodzenia powietrzem \*
- Oczyszczyć żeberka chłodnicy oleju \*

\* W warunkach zapylenia lub zanieczyszczeń występujących w powietrzu, należy czyścić części.

## Regulacja gaźnika i prędkości silnika

Nigdy nie reguluj gaźnika ani prędkości silnika. Gaźnik został ustawiony fabrycznie dla wydajnej pracy w większości warunków. Nie manipuluj przy sprężynie regulatora, łącznikach lub innych częściach, aby zmienić prędkość silnika. Jeśli wymagane są regulacje, skontaktuj się z autoryzowanym centrum serwisowym Briggs & Stratton w sprawie serwisu.

**NOTICE:** Producent wyposażenia określa prędkość maksymalną dla silnika zainstalowanego w wyposażeniu. **Nie przekraczać** tej prędkości. Jeśli nie jesteś pewien, jaka jest maksymalna prędkość wyposażenia lub jaka jest nastawa fabryczna prędkości silnika, skontaktuj się z autoryzowanym centrum serwisowym Briggs & Stratton, aby uzyskać pomoc. Dla bezpiecznego i prawidłowego działania wyposażenia, prędkość obrotowa silnika powinna być regulowana wyłącznie przez wykwalifikowanego technika serwisu.

## Wymiana świecy zapłonowej - Rysunek 5

Wymienić świecę zapłonową co roku. Sprawdzić odstęp (A, Rysunek 5) za pomocą szczelinomierza (B). Jeżeli konieczne, ponownie ustawić odstęp elektrod. Zamontować i przykręcić świecę zapłonową zalecanym momentem. Wielkość szczeliny oraz moment, patrz rozdział **Dane techniczne**.

**Uwaga:** Na niektórych terenach w celu stłumienia sygnałów zapłonu należy użyć świecy z rezystorem. Jeżeli na wyposażeniu była świeca zapłonowa z rezystorem, należy upewnić się, czy wymieniana świeca jest tego samego typu.

## Sprawdzić tłumik i chwytacz iskier - Rysunek 6



### OSTRZEŻENIE



Pracujący silnik wydziela ciepło. Niektóre części silnika, w szczególności tłumik, stają się bardzo gorące.



Przy kontakcie z nimi mogą powstać poważne oparzenia.

Łatwopalne pozostałości w postaci liści, trawy, brudu, itd. mogą się łatwo zapalić.

- Przed dotknięciem tłumika, cylindra silnika i żeberek odczekać aż do ich schłodzenia.
- Usunąć zgromadzony łatwopalny brud z okolic tłumika i cylindra.
- Naruszeniem Kalifornijskiej ustawy o zasobach publicznych, Rozdział 4442, jest stosowanie lub obsługiwanie silnika na jakimkolwiek terenie leśnym, zarośniętym krzakami lub trawą, o ile układ wydechowy nie jest wyposażony w chwytacz iskier, zgodnie z definicją rozdziału 4442, utrzymywany w stanie zdającym do pracy. Inne stany lub przepisy federalne mogą stawiać takie same wymagania. Skontaktować się z wytwórcą wyposażenia, sprzedawca lub dealerem, celem uzyskania chwytacza iskier dla zamontowanego na tym silniku układu wydechowego.

Usunąć zanieczyszczenia zgromadzone w obszarze tłumika i cylindra. Skontrolować tłumik (A, Rysunek 6) pod kątem pęknięć, korozji lub innych uszkodzeń. Zdemontować chwytacz iskier (B), jeżeli jest na wyposażeniu, i sprawdzić pod kątem uszkodzeń lub osadzeń sadzy. W przypadku stwierdzenia uszkodzeń, przed uruchomieniem zamontować części zamienne.



**OSTRZEŻENIE:** Części zamienne muszą być takiej samej konstrukcji i muszą zostać zamontowane w takim samym położeniu, jak części oryginalne. Inne części mogą nie działać tak dobrze, mogą spowodować uszkodzenie silnika i mogą prowadzić do urazu.

## Wymiana oleju - Rysunek 7 8 9 10

Zużyty olej jest odpadem niebezpiecznym. Utylizować zużyty olej zgodnie z przepisami. Nie wylewać go do odpadków domowych. Informacje odnośnie miejsc utylizacji oleju można uzyskać od władz lokalnych, centrów serwisowych lub u dealera.

### Usunąć olej

1. Na ciepłym silniku odłączyć przewód świecy zapłonowej (A) i trzymać go z dala od świecy (Rysunek 7).
2. Silnik wyposażony jest w dolny spust (B, Rysunek 8). Spuścić olej do zatwierdzonego pojemnika.
3. Po spuszczeniu oleju ponownie zamocować i przykręcić korki spustowe.

### Wymiana filtra oleju (jeżeli jest na wyposażeniu)

Niektóre modele wyposażone są w filtr oleju. Okresy wymiany, patrz Schemat konserwacji.

1. Spuścić olej z silnika. Patrz rozdział **Usuwanie oleju**.
2. Zdemontować filtr oleju (C) i odpowiednio zutylizować. Patrz Rysunek 9.
3. Przed zamontowaniem nowego filtra oleju, lekko posmarować uszczelkę filtra oleju świeżym, czystym olejem.
4. Wkręcać filtr oleju ręcznie, dopóki uszczelka nie zetknie się z podstawą filtra, następnie dokręcić filtr oleju o 1/2 do 3/4 obrotu.
5. Dodać oleju. Patrz rozdział **Dodawanie oleju**.
6. Uruchomić silnik i pozostawić włączony. Po rozgrzaniu silnika sprawdzić, czy nie ma przecieków oleju.
7. Wyłączyć silnik i sprawdzić poziom oleju. Powinien on znajdować się na górnej części znaku całkowitego napełnienia (F) na miarce poziomu (Rysunek 10).

### Dodawanie oleju

- Ustawić silnik poziomo.
  - Oczyszczyć z wszelkich zanieczyszczeń obszar wlewu oleju.
  - Pojemność oleju, patrz rozdział **Dane techniczne**.
1. Wyjąć miarkę poziomu (D) i wytrzeć czystą szmatką (Rysunek 10).
  2. Dolewać oleju powoli do wlewu oleju silnika (E). **Nie przepelniać.** Po nalaniu oleju odczekać jedną minutę i sprawdzić poziom oleju.
  3. Założyć ponownie i docisnąć miarkę poziomu oleju.
  4. Wyjąć ponownie miarkę poziomu oleju i sprawdzić poziom oleju. Powinien on znajdować się na górnej części znaku całkowitego napełnienia (F) na miarce poziomu.
  5. Założyć ponownie i docisnąć miarkę poziomu oleju.

## Serwisowanie filtra powietrza - Rysunek 11



### OSTRZEŻENIE



Paliwo i jego opary stanowią duże zagrożenie ze względu na ich łatwopalność i wybuchowość.



Pożar lub wybuch mogą przyczynić się do poważnych poparzeń lub doprowadzić do śmierci.

- Nigdy nie uruchamiać lub nie pracować silnikiem z wymontowanym filtrem powietrza (jeśli jest na wyposażeniu) lub wyjętym wkładem filtra (jeśli jest na wyposażeniu).

**UWAGA:** Nie używać do czyszczenia filtra sprężonego powietrza i rozpuszczalników. Sprężone powietrze może uszkodzić filtr, a rozpuszczalniki spowodują rozpuszczenie wkładu.

Wymagania serwisowe, patrz rozdział **Schemat konserwacji**.

1. Otworzyć zapadki (A) i zdjąć pokrywę (B). Patrz rysunek 11.
2. Odkręcić nakrętkę (D) i element mocujący (E).
3. Wyjąć filtr powietrza (K).
4. Wyjąć z filtra powietrza filtr wstępny (G), jeżeli jest na wyposażeniu.
5. Aby poluzować zanieczyszczenia, delikatnie stuknąć filtrem o twarde podłoże. Jeżeli filtr powietrza jest bardzo zabrudzony, wymienić go na nowy.
6. Filtr wstępny wymyć w płynnym środku do mycia i wodzie. Następnie pozostawić go do dokładnego wysuszenia. **Nie** nasączać olejem filtra wstępnego.
7. Zamontować suchy filtr wstępny na filtrze powietrza.
8. Zamontować filtr powietrza i zabezpieczyć elementem ustalającym i nakrętką.
9. Zamontować i zabezpieczyć pokrywę.

## Wymiana filtra paliwa - Rysunek 12



### OSTRZEŻENIE



**Paliwo i jego opary stanowią duże zagrożenie ze względu na ich łatwopalność i wybuchowość.**



**Pożar lub wybuch mogą przyczynić się do poważnych poparzeń lub doprowadzić do śmierci.**

- Paliwo należy przechowywać z dala od iskier, otwartych płomieni, lampek kontrolnych, ciepła i innych źródeł zapłonu.
- Sprawdzić przewody paliwa, zbiornik, korek wlewu i osprzęt pod kątem pęknięć lub przecieków. Jeżeli zajdzie potrzeba, wymienić.
- Przed wymianą filtra paliwa opróżnić zbiornik paliwa lub zamknąć zawór odcinający paliwa
- Części zamienne muszą być takie same i muszą zostać zamontowane w takim samym położeniu jak części oryginalne.
- W przypadku rozlania paliwa należy odczekać z uruchomieniem silnika aż do jego wyparowania.

1. Przed wymianą filtra paliwa (A, Rysunek 12), jeżeli jest na wyposażeniu, opróżnić zbiornik paliwa lub zamknąć zawór odcinający paliwa. W przeciwnym razie może dojść do wycieku paliwa i wystąpienia pożaru lub wybuchu.
2. Za pomocą szczypiec ścisnąć występy (B) na zaciskach (C), a następnie zsunąć zaciski z filtra paliwa. Skręcić i ściągnąć przewody paliwa (D) z filtra paliwa.
3. Sprawdzić przewody paliwa pod kątem pęknięć lub przecieków. Jeżeli zajdzie potrzeba, wymienić.
4. Wymienić filtr paliwa na oryginalny filtr zamienny.
5. Zabezpieczyć przewody paliwowe zaciskami, jak pokazano.

## Czyszczenie powietrznego układu chłodzenia - Rysunek 13



### OSTRZEŻENIE



**Pracujący silnik wydziela ciepło. Niektóre części silnika, w szczególności tłumik, stają się bardzo gorące.**



**Przy kontakcie z nimi mogą powstać poważne oparzenia.**

**Łatwopalne pozostałości w postaci liści, trawy, brudu, itd. mogą się łatwo zapalić.**

- Przed dotknięciem tłumika, cylindra silnika i żeberek odczekać aż do ich schłodzenia.
- Usunąć zgromadzony łatwopalny brud z okolic tłumika i cylindra.

**UWAGA:** Do czyszczenia silnika nie wolno stosować wody. Woda może zanieczyścić układ paliwowy. Do czyszczenia silnika stosować szczotkę lub suchą szmatkę.

Silnik jest chłodzony powietrzem. Brud lub zanieczyszczenia mogą ograniczyć przepływ powietrza i spowodować przegrzanie silnika, powodując pogorszenie osiągnięć oraz zmniejszając jego trwałość.

Do usunięcia zanieczyszczeń z osłony palców użyć szczotki lub suchej szmatki (A). Cięgna, sprężyny i elementy sterujące (B) utrzymywać w czystości. Obszar dookoła i za tłumikiem (C) oczyścić ze wszystkich palnych zanieczyszczeń (Rysunek 13). Upewnić się, czy żeberka chłodnicy oleju (D) są wolne od zabrudzeń i zanieczyszczeń.

## Przechowywanie



### OSTRZEŻENIE



**Paliwo i jego opary stanowią duże zagrożenie ze względu na ich łatwopalność i wybuchowość.**



**Pożar lub wybuch mogą przyczynić się do poważnych poparzeń lub doprowadzić do śmierci.**

**W przypadku magazynowania paliwa lub urządzeń z paliwem w zbiorniku**

- Przechowywać z dala od pieców, grzejników wody lub innych urządzeń z lampkami kontrolnymi lub innymi źródłami zapłonu, ponieważ mogą one spowodować zapalenie oparów paliwa.

## Układ paliwowy

Paliwo może ulec zesterzeniu, jeżeli jest przechowywane przez okres ponad 30 dni. Zestarzałe paliwo powoduje tworzenie się kwasu i żywic w układzie paliwowym lub na ważnych częściach gaźnika. W celu utrzymania świeżości paliwa, **Briggs & Stratton zaleca stosowanie dodatku i stabilizatora paliwa o udoskonalonej formule**, dostępnego wszędzie tam, gdzie sprzedawane są oryginalne części serwisowe Briggs & Stratton.

Nie ma potrzeby spuszczenia paliwa z silnika, jeżeli stabilizator paliwa dodawany jest zgodnie z instrukcją. Przed przechowaniem pracować silnikiem przez 2 minuty, w celu rozprowadzenia stabilizatora w układzie paliwowym.

Przed przechowywaniem, jeżeli do paliwa nie został dodany stabilizator, należy usunąć paliwo silnika do odpowiedniego zbiornika. Następnie należy uruchomić silnik i odczekać, aż zatrzyma się samoczynnie z powodu braku paliwa. Zalecane jest zastosowanie w kanistrze magazynowym stabilizatora paliwa, w celu utrzymania jego świeżości.

## Olej silnikowy

Kiedy silnik jest gorący, wymienić olej.

## Wykrywanie usterek

Potrzebujesz pomocy? Wejdź na stronę [VanguardEngines.com](http://VanguardEngines.com), [www.chabin.pl](http://www.chabin.pl) lub zadzwoń 1-800-999-9333 (tylko w USA).

## Dane techniczne

Dane techniczne silników	
Model	290000
Pojemność skokowa	479 cm sześć
Otwór	68 mm
Skok	66 mm
Pojemność miski olejowej	1,36 - 1,42 l

Dane techniczne silników	
Model	300000
Pojemność skokowa	479 cm sześć
Otwór	68 mm
Skok	66 mm
Pojemność miski olejowej	1,36 - 1,42 l

Dane techniczne silników	
Model	350000
Pojemność skokowa	570 cm sześć
Otwór	72 mm
Skok	70 mm
Pojemność miski olejowej	1,36 - 1,42 l

Dane techniczne silników	
Model	380000
Pojemność skokowa	627 cm sześć
Otwór	75,5 mm
Skok	70 mm
Pojemność miski olejowej	1,36 - 1,42 l

Dane regulacyjne*	
Model	290000, 300000
Szczelina świecy	0,76 mm
Moment dokręcania świecy zapłonowej	20 Nm
Szczelina powietrzna cewki	0,20 - 0,30 mm
Luz zaworu ssącego	0,10 - 0,15 mm
Luz zaworu wydechowego	0,10 - 0,15 mm

Dane regulacyjne*	
Model	350000, 380000
Szczelina świecy	0,76 mm
Moment dokręcania świecy zapłonowej	20 Nm
Szczelina powietrzna cewki	0,20 - 0,30 mm
Luz zaworu ssącego	0,10 - 0,15 mm
Luz zaworu wydechowego	0,10 - 0,15 mm

\* Moc silnika spadnie 3,5% na każde 300 metrów powyżej poziomu morza i 1% na każde 5,6° C powyżej 25° C. Silnik będzie pracował zadowolająco przy nachyleniu pod kątem do 15°. Dopuszczalne ograniczenia dla bezpiecznej pracy na pochyłościach zawarte są w instrukcji obsługi wyposażenia.

### Typowe części zamienne ✓

Części zamienne	Numer części
Filtr powietrza - za wyjątkiem modelu: 358700, 380000	394018
Filtr powietrza - model: 358700, 380000	692519
Filtr wstępny układu filtra powietrza - za wyjątkiem modelu: 358700, 380000	272490
Filtr wstępny układu filtra powietrza - model: 358700, 380000	692520
Olej - SAE 30	100028
Filtr oleju - długość 6 cm	492932
Filtr oleju - długość 9 cm	491056

Części zamienne	Numer części
Filtr paliwa - modele ze zbiornikiem paliwa	808116
Filtr paliwa - modele z pompą paliwa	691035
Filtr paliwa - modele bez pompy paliwa	298090
Uszlachetniacz i stabilizator paliwa ozaawansowanej formule	100117, 100120
Świeca zapłonowa o podwyższonej oporności	491055
Platynowa świeca zapłonowa o podwyższonej trwałości	5066
Klucz do świecy zapłonowej	19374
Tester iskry	19368

✓ Zalecamy skontaktowanie się z autoryzowanym dealerem Briggs & Stratton w kwestiach konserwacji i napraw silnika i części silnika.

### GWARANCJA OGRANICZONA

Firma Briggs & Stratton gwarantuje, że w określonym poniżej okresie gwarancyjnym naprawi lub wymieni bezpłatnie każdą część, które została wykonana wadliwie lub z wadliwego materiału, względnie z obydwu tych przyczyn. Koszty transportu produktów dostarczanych do naprawy lub wymiany w ramach niniejszej Gwarancji ponosi nabywca. Gwarancja ta jest ważna przez wymienione w świadectwie okresy czasu i podlega jego warunkom niżej wymienionym. W celu uzyskania usługi gwarancyjnej należy znaleźć najbliższego autoryzowanego dealera serwisowego na mapie dealerów pod adresem BRIGGSandSTRATTON.COM. Nabywca musi skontaktować się z autoryzowanym dealerm serwisowym i następnie udostępnić mu produkt do inspekcji i testowania.

Nie istnieje żadna inna gwarancja wyrażona. Gwarancje domniemane, włącznie ze specjalnymi gwarancjami udzielanymi przez handlowców, są ograniczone do okresu gwarancji podanego poniżej lub obowiązują w okresie dopuszczalnym przez prawo. Wyklucza się wszelkie gwarancje domniemane. Wyklucza się odpowiedzialność za szkody pośrednie na podstawie jakiegokolwiek gwarancji w takim zakresie, w jakim jest to dopuszczalne przez prawo. W niektórych krajach lub stanach nie zezwala się na ograniczenia, co do długości trwania gwarancji domniemanej, zaś w innych krajach lub stanach nie zezwala się na wykluczenie lub ograniczenie szkód przypadkowych lub pośrednich, tak więc wyżej wymienione ograniczenie lub wykluczenie może Państwa nie dotyczyć. Gwarancja ta zapewnia Państwu określone ustawowe prawa oprócz innych praw obowiązujących w różnych krajach lub stanach \*\*

### WARUNKI GWARANCJI STANDARDOWEJ \* ▲

Marka/Rodzaj produktu	Zastosowanie konsumenckie	Zastosowanie komercyjne
Vanguard™ ■	3 lata	3 lata
Commercial Turf Series™	2 lata	2 lata
Silniki wyposażone w tuleje żeliwne Dura-Bore™	2 lata	1 rok
Wszystkie pozostałe silniki Briggs & Stratton	2 lata	90 dni

\* Są to nasze standardowe warunki gwarancji, ale w niektórych przypadkach zakres gwarancji może być rozszerzony, co nie zostało określone w momencie publikacji. Lista aktualnych warunków gwarancji dla Twojego silnika znajduje się na stronie BRIGGSandSTRATTON.COM lub można ją uzyskać u autoryzowanego dealera serwisowego firmy Briggs & Stratton.

\*\* W Australii – nasze towary posiadają gwarancje, których nie można wykluczyć według Australijskiego Prawa Konsumenta. Macie Państwo prawo do wymiany lub zwrotu w przypadku poważnej wady i odszkodowania za inne możliwe do przewidzenia straty i szkody. Macie Państwo również prawo do naprawy lub wymiany towaru, gdy jakość towaru nie jest możliwa do przyjęcia i wada nie jest poważna. W celu uzyskania usługi gwarancyjnej należy skontaktować się z najbliższym autoryzowanym dealerm serwisowym zgodnie z mapą autoryzowanych dealerów na stronie BRIGGSandSTRATTON.COM lub zadzwonić pod numer 1300 274 447 lub wysłać e-mail bądź napisać na adres salesenquiries@briggsandstratton.com.au, Briggs & Stratton Australia Pty Ltd, 1 Moorebank Avenue, Moorebank, NSW, Australia, 2170.

▲ Nie ma gwarancji dla silników na sprzęcie używanym do pracy z większym obciążeniem zamiast przewidzianego lub dla generatorów zapasowych używanych dla celów komercyjnych. Silniki używane w wyścigach lub na torach komercyjnych lub wynajętych nie mają gwarancji.

■ Silniki Vanguard wykorzystywane w generatorach awaryjnych: 2 letnia gwarancja według zastosowania konsumenckiego i nie posiadają gwarancji komercyjnej. Silniki Vanguard wykorzystywane w pojazdach użytkowych: 2 letnia gwarancja według zastosowania konsumenckiego i 2 letnia gwarancja komercyjna. 3-cylindrowy silnik Vanguard chłodzony cieczą: zob. świadectwo gwarancyjne dla właścicieli silników Briggs & Stratton 3/LC.

Okres gwarancyjny rozpoczyna się w dniu zakupu przez pierwszego konsumenta detalicznego lub komercyjnego użytkownika końcowego. "Zastosowanie konsumenckie" oznacza osobiste używanie (sprzętu) w gospodarstwie domowym przez konsumenta detalicznego. "Zastosowanie komercyjne" oznacza innych użytkowników, włącznie z użyciem dla celów komercyjnych, produkcją zarobkową lub wynajmem. Jeżeli silnik został choć raz zastosowany w celach komercyjnych, to w rozumieniu tej gwarancji traktowany będzie jako silnik o zastosowaniu komercyjnym

Zachować dokument zakupu. Jeśli w chwili, gdy wymagany jest serwis gwarancyjny nie dostarczy się dowodu z datą zakupu, data produkcji będzie użyta do ustalenia okresu gwarancji. Rejestracja produktu nie jest wymagana dla uzyskania serwisu gwarancyjnego dla produktów firmy Briggs & Stratton.

### Informacja o gwarancji

Niniejsza gwarancja ograniczona obejmuje wyłącznie związane z silnikiem materiały i/lub wykonanie, a nie wymianę lub zwrot sprzętu, w którym silnik może być zamontowany. Konserwacja okresowa, dostrajanie, regulacje lub normalne zużycie nie są objęte tą gwarancją. Podobnie, gwarancja nie ma zastosowania, gdy silnik został zmieniony lub zmodyfikowany lub numer seryjny silnika jest nieczytelny lub usunięty. Niniejsza gwarancja nie obejmuje wyposażenia lub silników zużytych, wyremontowanych, z drugiej ręki lub używanych do celów demonstracyjnych. Niniejsza gwarancja nie obejmuje uszkodzenia silnika lub problemów z wydajnością spowodowanych przez:

- 1 Użycie części, które nie są oryginalnymi częściami firmy Briggs & Stratton.
- 2 Eksploatację silnika z olejem smarowym w niedostatecznej ilości, zanieczyszczonym lub niewłaściwego gatunku;
- 3 Użycie paliwa zanieczyszczonego lub nieświeżego, benzyny zawierającej więcej niż 10% etanolu lub użycie paliw alternatywnych, takich jak płynna ropa naftowa lub gaz ziemny w silnikach, które nie zostały oryginalnie zaprojektowane / wyprodukowane przez firmę Briggs & Stratton do zasilania takimi paliwami;
- 4 Zanieczyszczenia, które przedostały się do silnika z powodu niewłaściwej konserwacji filtra powietrza lub niewłaściwego ponownego montażu;

- 5 Uderzenie obiektu przez nóż kosiarki obrotowej, luźny lub niewłaściwie zamontowany adapter noża, wimiki lub inne elementy sprzężone z wałem korbowym lub nadmierne napięcie pasa klinowego;
- 6 Współpracujące części lub zespoły, takie jak sprężgła, przekładnie, elementy obsługi sprzętu itp. niebędące produktem firmy Briggs & Stratton;
- 7 Przegrzanie spowodowane przez ścinki trawy, brud i resztki lub gniazda gryzoni, które zatykają lub zapychają obszary żeberek chłodzących lub koła zamachowego lub przez pracę silnika bez dostatecznej wentylacji;
- 8 Nadmierne drgania spowodowane nadmierną prędkością, luźnymi zamocowaniami silnika, luźnymi lub niewyważonymi nożami lub wirnikami lub nieprawidłowym sprzęgnięciem komponentów wyposażenia z wałem korbowym;
- 9 Niewłaściwym użyciem, brakiem okresowej konserwacji, niewłaściwym transportem, obsługą lub składowaniem wyposażenia lub niewłaściwą instalacją silnika.

Usługi gwarancyjne są dostępne jedynie u autoryzowanych dealerów serwisowych firmy Briggs & Stratton. W celu uzyskania usługi gwarancyjnej należy skontaktować się z najbliższym autoryzowanym dealerm serwisowym zgodnie z mapą autoryzowanych dealerów pod BRIGGSandSTRATTON.COM lub dzwoniąc pod numer w USA 1-800-233-3723,



## Informații generale

Acest manual conține informații privind siguranța, care vă avertizează cu privire la pericolele și riscurile asociate motoarelor și vă informează despre modul în care le puteți evita. De asemenea, conține instrucțiuni privind utilizarea și întreținerea corectă a motorului. Deoarece Briggs & Stratton Corporation nu știe cu siguranță ce tip de echipament va acționa acest motor, este important să citiți și să înțelegeți aceste instrucțiuni, precum și cele referitoare la echipamentul pe care acest motor îl va acționa. **Păstrați aceste instrucțiuni originale pentru a le putea consulta ulterior.** Notați mai jos modelul, tipul și codul motorului, împreună cu data achiziționării. Aceste date vor fi necesare la solicitarea pieselor de schimb sau pentru asistența tehnică. Consultați secțiunea Caracteristici pentru a afla unde sunt poziționate aceste numere pe motor (consultați pagina **Caracteristici și comenzi**).

**Data achiziționării:** \_\_\_\_\_  
ZZ/LL/AAAA

**Modelul motorului:** \_\_\_\_\_  
Model: Tip: Cod:

**Evaluarea puterii:** Evaluarea puterii brute a modelelor de motoare pe benzină este realizată în conformitate cu codul SAE (Society of Automotive Engineers) J1940 (Procedura de evaluare a puterii și cuplului motoarelor mici), fiind evaluată conform SAE J1995. Valorile cuplului sunt obținute la 2600 RPM pentru motoarele pe eticheta cărora se indică „rpm” și la 3060 RPM pentru celelalte; cii putere sunt obținuți la 3600 RPM. Curbele de putere brute pot fi vizualizate pe [www.BRIGGSandSTRATTON.COM](http://www.BRIGGSandSTRATTON.COM). Puterea netă este măsurată cu echipamentul și filtrul de aer montat, iar puterea brută este măsurată fără aceste accesorii. Puterea brută reală a motorului va fi mai mare decât puterea netă și este afectată, între altele, de condițiile ambientale de utilizare și variația de la motor la motor. Datorită gamei largi de produse care utilizează aceste motoare, este posibil ca motorul pe benzină să nu dezvolte puterea brută nominală atunci când este utilizat într-un anumit echipament. Această diferență se datorează mai multor factori, care includ dar nu se limitează la diversele componente ale motorului (filtru de aer, eșapament, încărcare, răcire, carburator, pompa de combustibil, etc.), limitările aplicației, condițiile mediului de utilizare (temperatură, umiditate, altitudine) și variația de la motor la motor. Datorită limitărilor de producție și capacitate, este posibil ca Briggs & Stratton să înlocuiască acest motor cu un motor cu o putere nominală mai mare.

## Siguranța operatorului

### SIMBOLURI REFERITOARE LA SIGURANȚĂ ȘI COMENZI



### AVERTISMENT

Unele componente ale acestui produs și ale accesoriilor asociate conțin substanțe declarate în statul California drept cancerigene, defecte congenitale și alte probleme reproductive. Spălați-vă mâinile după utilizare.



### AVERTISMENT

Gazele de eșapament de la acest motor conțin substanțe chimice care sunt cunoscute în statul California drept cauzatoare de cancer, malformații congenitale sau alte disfuncții reproductive.



### AVERTISMENT

Motoarele Briggs & Stratton nu sunt proiectate și nu trebuie folosite pentru: fun-karts; go-karts; vehicule de teren (ATV-uri) de copii, recreaționale sau sportive; motocicletă; vehicule pe pernă de aer; produse aeronautice, sau vehicule folosite în competiții neaprobate de Briggs & Stratton. Pentru informații despre produse pentru competiții, accesați [www.briggsracing.com](http://www.briggsracing.com). Pentru utilizarea în vehicule ATV utilitare și de două locuri, contactați Briggs & Stratton Engine Application Center, 1-866-927-3349. Folosirea incorectă a motorului poate cauza rănirea gravă sau moartea.

Simbolul de atenționare este folosit pentru a identifica informațiile despre siguranță care semnalează pericolul de vătămare. Împreună cu simbolul de atenționare este folosit un cuvânt (PERICOL, AVERTISMENT sau ATENȚIE) care indică probabilitatea și gravitatea posibilităților de vătămări. În plus, poate fi folosit un simbol de pericol pentru a reprezenta tipul de pericol.



**PERICOL** indică un pericol care, dacă nu este evitat, se va solda cu moartea sau cu accidentarea gravă.



**AVERTISMENT** indică un pericol care, dacă nu este evitat, se poate solda cu moartea sau cu accidentarea gravă.



**ATENȚIE** indică un pericol care, dacă nu este evitat, s-ar putea solda cu vătămări minore sau moderate.

**NOTIFICARE** indică o situație care ar putea duce la deteriorarea produsului.

**NOTIFICARE:** Acest motor a fost expediat de Briggs & Stratton fără ulei. Înainte de a porni motorul, asigurați-vă că ați adăugat ulei conform cu instrucțiunile din acest manual. Pornirea motorului fără ulei provoacă deteriorarea iremediabilă a acestuia, care nu este acoperită de garanție.



## AVERTISMENT



**Combustibilul și vaporii săi sunt foarte inflamabili și explozivi. Incendiul sau explozia se pot solda cu arsuri severe sau cu moartea.**

### Când alimentați cu combustibil

- Opriți motorul și lăsați-l să se răcească cel puțin 2 minute înainte de a scoate bușonul de combustibil.
- Umpleți rezervorul de combustibil în aer liber sau în zone bine ventilate.
- Nu supraalimentați rezervorul de combustibil. Pentru a permite dilatarea combustibilului, umpleți numai până la marginea inferioară a gâtului rezervorului de combustibil.
- Păstrați combustibilul la distanță de scântei, flăcări deschise, flăcări de veghe, căldură și de alte surse de aprindere.
- Verificați frecvent conductele de combustibil, rezervorul, bușonul și fittingurile pentru a observa eventualele crăpături sau scurgeri. Înlocuiți-le dacă este necesar
- Dacă se varsă combustibil, așteptați până când acesta se evaporă înainte de a porni motorul.

### Atunci când porniți motorul

- Asigurați-vă că bujia, echipamentul, bușonul rezervorului și filtrul de aer (dacă este prevăzut) sunt montate și bine fixate.
- Nu trageți de coardă când bujia este scoasă.
- Dacă motorul se înecă, deplasați șocul (dacă este prevăzut) în poziția OPEN/RUN (DEȘCHIS/FUNCȚIONARE), deplasați maneta de accelerație (dacă este prevăzută) în poziția FAST (RAPID) și demarați până când motorul pornește.

### Atunci când utilizați echipamentul

- Nu înclinați motorul sau echipamentul la un unghi care poate cauza vărsarea combustibilului.
- Nu înecați carburatorul pentru a opri motorul.
- Nu porniți și nu lăsați motorul să funcționeze fără ansamblu de filtrare (dacă este prevăzut) sau filtru (dacă este prevăzut).

### La schimbarea uleiului

- Dacă scurgeți uleiul prin tubul superior de alimentare cu ulei, rezervorul de combustibil trebuie să fie gol, în caz contrar combustibilul se poate scurge, provocând un incendiu sau o explozie.

### Dacă înclinați utilajul pentru întreținere

- Dacă efectuați operațiuni de întreținere care necesită înclinarea utilajului, rezervorul de combustibil trebuie să fie gol. În caz contrar, combustibilul se poate scurge, provocând un incendiu sau o explozie.

### Atunci când transportați echipamentul

- Transportați echipamentul cu rezervorul GOL sau cu robinetul de oprire a combustibilului în poziția OFF (OPRIT).

### Atunci când depozitați combustibil sau echipamentul cu combustibil în rezervor

- Depozitați-le la distanță de cuptoare, sobe, boilere sau alte echipamente care au flacără de veghe sau altă sursă de aprindere, deoarece acestea ar putea aprinde vaporii de combustibil.



## AVERTISMENT



**Pornirea motorului creează scântei. Scântelele pot aprinde gazele inflamabile din apropiere. Se pot produce explozii și incendii.**

- Dacă există o scurgere de gaz natural sau de petrol lichiefiat în zonă, nu porniți motorul.
- Nu utilizați fluide de aprindere sub presiune deoarece vaporii sunt inflamabili.



## AVERTISMENT



**Retragerea rapidă a corzii de pornire (reculul) va trage mâna și brațul către motor mai repede decât puteți să îi dați drumul. Aceasta poate cauza ruperea oaselor, fracturi, zgârieturi sau luxații.**

- La pornirea motorului, trageți lent coarda până simțiți rezistență, și apoi trageți rapid pentru a evita reculul.
- Îndepărtați toate echipamentele externe/sarcinile motorului înainte de a-l porni.
- Componentele echipamentului cuplate direct, cum ar fi lamele, paletetele, roțile de transmisie, roțile de lanț etc., trebuie să fie montate corect.



## AVERTISMENT



**PERICOL DE GAZE TOXICE.** Gazele de eşapament conțin monoxid de carbon, un gaz otrăvitor care poate vă poate ucide în câteva minute. NU îl puteți vedea, mirosi sau gusta. Chiar dacă nu simțiți miros de gaze de eşapament, puteți fi expus monoxidului de carbon. Dacă începeți să aveți grețuri, amețeli sau să vă simțiți slăbit în timp ce folosiți acest produs, opriți-l și mutați-vă IMEDIAT în aer liber. Consultați un doctor. Este posibil să fiți intoxicat cu monoxid de carbon.

- Folosiți acest produs NUMAI în aer liber, la distanță de ferestre, uși și orificii de ventilare, pentru a reduce pericolul de acumulare a monoxidului de carbon și de intrare a acestuia în spații locuite.
- Montați detectoare de monoxid de carbon cu baterie sau cu alimentare de la priză și baterie de rezervă conform instrucțiunilor producătorului. Detectoarele de fum nu detectează monoxidul de carbon.
- NU folosiți acest produs în case, în garaje, în pivnițe, în subsoluri, în șoproane sau în alte spații parțial închise, chiar dacă folosiți ventilatoare sau deschideți ușile și ferestrele pentru ventilare. Monoxidul de carbon se poate acumula rapid în aceste spații și poate să persiste ore în șir, chiar și după oprirea produsului.
- Amplasați ÎNTOTDEAUNA acest produs pe direcția vântului și orientați toba de eşapament în sens opus față de spațiile locuite.



## AVERTISMENT



**Piesele în mișcare pot intra în contact sau agăța mâinile, picioarele, părul, hainele sau accesoriile.**

**Astfel se pot produce amputări traumatiche sau tăieturi.**

- Utilizați echipamentul cu apăraoarele montate.
- Feriți mâinile și picioarele de piesele rotative.
- Legați părul lung și nu purtați bijuterii.
- Nu purtați haine largi, șnururi care atârnă sau articole care ar putea fi agățate.



## AVERTISMENT



**Funcționarea motorului produce căldură. Piese ale motorului, în special toba de eşapament, devin foarte fierbinți.**

**Se pot produce arsuri termice grave la contactul cu acestea.**



**Deșeurile combustibile, cum ar fi frunzele, iarba, ramurile etc. pot lua foc.**

- Lăsați echipamentul, cilindrul și arpile acestuia să se răcească înainte de a le atinge.
- Îndepărtați materialele inflamabile acumulate în zona tobei de eşapament și a cilindrului.
- Conform California Public Resource Code, secțiunea 4442, este interzisă utilizarea motorului în zone cu păduri, tufișuri sau iarbă fără a fi dotate cu un paravan de scântei conform secțiunii 4442, aflat în bună stare de funcționare. Este posibil ca alte state să aibă legi similare. Luați legătura cu producătorul, vânzătorul sau dealerul echipamentului pentru a obține un paravant de scântei adaptat sistemului de evacuare montat pe acest motor.



## AVERTISMENT



**Producerea accidentală de scântei se poate solda cu incendii sau cu electrocutare.**



**Pornirea accidentală se poate solda cu agățare, amputare traumatică sau tăieturi.**

**Pericol de incendiu**



### Înainte de a efectua reglaje sau reparații:

- Deconectați fișa bujiei și țineți-o la distanță de bujie.
- Deconectați borna negativă a bateriei (numai la motoarele cu sistem de pornire electrică).
- Utilizați doar scule corecte.
- Nu efectuați intervenții asupra clapetelor reglatoare, asupra transmisiilor sau asupra altor piese componente pentru a obține o turație mai mare a motorului.
- Piesele de schimb trebuie să fie identice și montate în aceeași poziție cu piesele originale. Este posibil ca alte piese să nu funcționeze la fel de bine, să deterioreze aparatul sau să provoace vătămări corporale.
- Nu loviți volanta cu ciocanul sau cu obiecte grele. În caz contrar, volanta se poate dezmembra în timpul funcționării.

### Atunci când testați scântea la bujii:

- Folosiți un tester de bujie omologat.
- Nu verificați scântea la bujie cu bujia scoasă.

# Caracteristici și comenzi

Comparați desenul **1** cu motorul Dvs. pentru a vă familiariza cu amplasarea diverselor caracteristici și comenzi.

- A. Identificarea motorului  
**Model Tip Cod**
- B. Bujie
- C. Filtru de aer
- D. Jojă/Orificiu de umplere ulei
- E. Filtrul de ulei (opțional)
- F. Bușon de scurgere a uleiului
- G. Senzor de presiune a uleiului
- H. Apărătoare degete
- I. Electromotor
- J. Pornire cu coardă retractilă (opțional)
- K. Carburatorul
- L. Galerie de evacuare
- M. Pompă de combustibil
- N. Filtru de combustibil (opțional)
- O. Radiator pentru ulei (opțional)
- P. Eșapament (opțional)

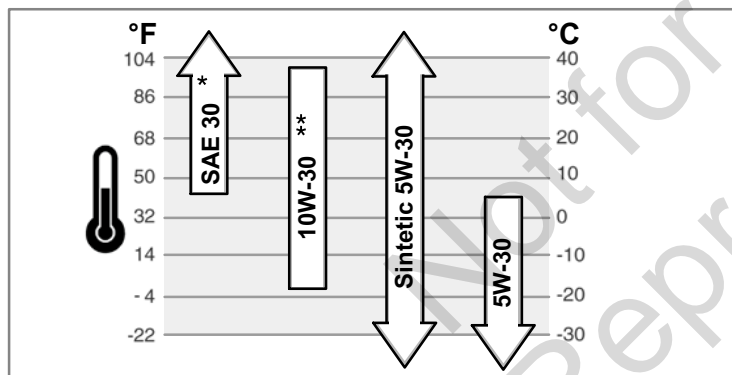
## Utilizare

Capacitate de ulei (vezi secțiunea **Specificații**)

### Recomandări privind uleiul

Pentru o funcționare optimă, recomandăm utilizarea uleiurilor atestate de Briggs & Stratton. Sunt acceptabile și alte tipuri de ulei detergent de calitate, dacă sunt clasificate pentru service SF, SG, SH, SJ sau superior. Nu folosiți aditivi speciali.

Vâscozitatea corectă a uleiului de motor este determinată de temperatura exterioară. Folosiți tabelul pentru a selecta valoarea optimă de vâscozitate în funcție de intervalul de temperatură exterioară preconizat.



\* Dacă folosiți ulei SAE 30 sub 40°F (4°C), aceasta va duce la pornirea cu dificultate a motorului.

\*\* Utilizarea uleiului 10W-30 la temperaturi peste 80°F (27°C) va duce la un consum de ulei peste normal. Verificați mai des nivelul uleiului.

### Verificarea/Adăugarea uleiului - Figura 2

Înainte de a adăuga sau de a verifica nivelul uleiului

- Așezați motorul pe orizontală.
  - Curățați eventualele deșeuri din zona orificiului de alimentare cu ulei.
1. Scoateți joja (A) și ștergeți-o cu o cârpă curată (Figura 2).
  2. Introduceți complet joja.
  3. Scoateți joja și verificați nivelul uleiului. Acesta trebuie să fie în partea superioară a marcajului „plin” (B) de pe jojă.
  4. Dacă nivelul este scăzut, adăugați ulei, încet, în gura de alimentare cu ulei a motorului (C). **Nu umpleți prea tare.** După ce ați adăugat ulei, așteptați un minut după care verificați, din nou, nivelul uleiului.
  5. Introduceți complet joja.

### Sistem de protecție împotriva nivelului scăzut al uleiului (dacă există)

Unele motoare sunt echipate cu un senzor pentru nivelul scăzut al uleiului. Dacă nivelul uleiului este scăzut, senzorul va activa o lampă de avertizare sau va opri motorul. Opriți motorul și parcurgeți etapele următoare înainte de a-l reporni.

- Asigurați-vă că motorul este orizontal.
- Verificați nivelul uleiului. Vezi secțiunea **Verificarea/Adăugarea uleiului**.
- Dacă nivelul uleiului este scăzut, alimentați cu o cantitate corespunzătoare de ulei. Porniți motorul și verificați dacă lampa de avertizare (dacă există) nu este aprinsă.
- Dacă nivelul uleiului nu este scăzut, **nu porniți** motorul. Luați legătura cu un distribuitor autorizat Briggs & Stratton pentru a remedia problema cu uleiul.

### Recomandări pentru combustibil

**Combustibilul trebuie să îndeplinească următoarele cerințe:**

- Benzină pură, proaspătă, fără plumb.
- Cifra octanică minim 87/87 AKI (91 RON). Pentru utilizarea la altitudini mari, vezi mai jos.
- Este permisă utilizarea benzinei cu până la 10% etanol (gasolhol).

**ATENȚIE:** Nu utilizați tipuri de benzină nerecomandate, cum ar fi E15 și E85. Nu introduceți ulei în benzină și nu modificați motorul pentru a funcționa cu combustibili alternativi. Utilizarea unor combustibili neapropați va avaria componentele motorului, care nu vor beneficia de garanție.

Pentru a evita formarea depunerilor în sistemul de combustibil, adăugați un stabilizator de combustibil. Vezi secțiunea **Depozitare**. Nu toate tipurile de combustibil sunt identice. În cazul apariției unor probleme de pornire sau funcționare, schimbați furnizorii de combustibil sau mărcile. Acest motor este certificat pentru funcționarea cu benzină. Sistemul de control al emisiilor pentru motor este EM (Engine Modifications) (Modificările motorului).

### Altitudine ridicată

La altitudini de peste 5.000 de picioare (1524 metri), folosiți benzină cu cifra octanică minim 85/85 AKI (89 RON).

În cazul motoarelor cu carburator, este necesară reglarea pentru altitudine înaltă dacă se dorește respectarea standardelor de emisii. Folosirea fără acest reglaj va avea ca efect reducerea performanțelor, creșterea consumului de combustibil și creșterea emisiilor. Contactați un dealer cu service autorizat Briggs & Stratton pentru informații despre reglajul pentru altitudine înaltă. Nu este recomandată utilizarea motorului la altitudini sub 762 metri cu reglajul pentru altitudine înaltă.

În cazul motoarelor cu injecție electronică a combustibilului (EFI), nu este necesară reglarea pentru altitudine înaltă.

### Adăugarea combustibilului - Figura 3



#### AVERTISMENT

Combustibilul și vaporii săi sunt foarte inflamabili și explozivi. Incendiul sau explozia se pot solda cu arsuri severe sau cu moartea.



#### Când alimentați cu combustibil

- Opriți motorul și lăsați-l să se răcească cel puțin 2 minute înainte de a scoate bușonul de combustibil.
- Umpleți rezervorul de combustibil în aer liber sau în zone bine ventilate.
- Nu supraalimentați rezervorul de combustibil. Pentru a permite dilatarea combustibilului, umpleți numai până la marginea inferioară a gâtului rezervorului de combustibil.
- Păstrați combustibilul la distanță de scântei, flăcări deschise, flăcări de veghe, căldură și de alte surse de aprindere.
- Verificați frecvent conductele de combustibil, rezervorul, bușonul și fittingurile pentru a observa eventualele crăpături sau scurgeri. Înlocuiți-le dacă este necesar
- Dacă se varsă combustibil, așteptați până când acesta se evaporă înainte de a porni motorul.

1. Curățați zona bușonului de combustibil de murdărie și reziduuri. Demontați bușonul de combustibil (A, Figura 3).
2. Umpleți rezervorul cu combustibil (B). Pentru a permite dilatarea combustibilului, umpleți numai până la marginea inferioară a gâtului rezervorului (C).
3. Montați la loc bușonul de combustibil.

### Pornirea motorului - Figura 4



#### AVERTISMENT

Retragerea rapidă a corzii de pornire (reculul) va trage mâna și brațul către motor mai repede decât puteți să îi dați drumul. Aceasta poate cauza ruperea oaselor, fracturi, zgârieturi sau luxații.

- La pornirea motorului, trageți lent coarda până simțiți rezistență, și apoi trageți rapid pentru a evita reculul.



## AVERTISMENT



**Combustibilul și vaporii săi sunt foarte inflamabili și explozivi. Incendiul sau explozia se pot solda cu arsuri severe sau cu moartea.**

### Atunci când porniți motorul

- Asigurați-vă că bujia, eșapamentul, bușonul rezervorului și filtrul de aer (dacă este prevăzut) sunt montate și bine fixate.
- Nu trageți de coardă când bujia este scoasă.
- Dacă motorul se înecă, deplasați șocul (dacă este prevăzut) în poziția OPEN/RUN (DESCHIS/FUNCȚIONARE), deplasați maneta de accelerație (dacă este prevăzută) în poziția FAST (RAPID) și demarați până când motorul pornește.



## AVERTISMENT



**PERICOL DE GAZE TOXICE. Gazele de eșapament conțin monoxid de carbon, un gaz otrăvitor care poate să ucidă în câteva minute. NU îl puteți vedea, mirosi sau gusta. Chiar dacă nu simțiți miros de gaze de eșapament, puteți fi expus monoxidului de carbon. Dacă începeți să aveți grețuri, amețeli sau să vă simțiți slăbit în timp ce folosiți acest produs, opriți-l și mutați-vă IMEDIAT în aer liber. Consultați un doctor. Este posibil să fiți intoxicat cu monoxid de carbon.**

- Folosiți acest produs NUMAI în aer liber, la distanță de ferestre, uși și orificii de ventilare, pentru a reduce pericolul de acumulare a monoxidului de carbon și de intrare a acestuia în spații locuite.
- Montați detectoare de monoxid de carbon cu baterie sau cu alimentare de la priză și baterie de rezervă conform instrucțiunilor producătorului. Detectoarele de fum nu detectează monoxidul de carbon.
- NU folosiți acest produs în case, în garaje, în pivnițe, în subsoluri, în șoproane sau în alte spații parțial închise, chiar dacă folosiți ventilatoare sau deschideți ușile și ferestrele pentru ventilare. Monoxidul de carbon se poate acumula rapid în aceste spații și poate să persiste ore în șir, chiar și după oprirea produsului.
- Amplasați ÎNTOTDEAUNA acest produs pe direcția vântului și orientați toba de eșapament în sens opus față de spațiile locuite.

**NOTIFICARE:** Acest motor a fost expedit de Briggs & Stratton fără ulei. Înainte de a porni motorul, asigurați-vă că ați adăugat ulei conform cu instrucțiunile din acest manual. Pornirea motorului fără ulei provoacă deteriorarea iremediabilă a acestuia, care nu este acoperită de garanție.

**Notă:** Unele motoare și echipamente sunt dotate cu sisteme de control de la distanță. Consultați manualul echipamentului pentru instrucțiuni despre amplasarea și utilizarea comenzilor de la distanță.

1. Verificați nivelul uleiului. Vezi secțiunea **Verificarea/Adăugarea uleiului**.
2. Asigurați-vă că ați decuplat comenzile de acționare ale aparatului, dacă există.
3. Rotiți robinetul de oprire a combustibilului (A), dacă există, în poziția on (pornit) (Figura 4).

## Întreținere

Vă recomandăm să apelați la un distribuitor cu service autorizat Briggs & Stratton pentru toate operațiile de întreținere și reparare a motorului și a pieselor.

**NOTIFICARE:** Toate componentele utilizate la realizarea acestui motor trebuie să fie prezente pentru ca motorul să funcționeze corect.



**AVERTISMENT:** Dacă efectuați operațiuni de întreținere care necesită înclinarea utilajului, rezervorul de combustibil trebuie să fie gol. În caz contrar, combustibilul se poate scurge, provocând un incendiu sau o explozie.

### Controlul emisiilor

**Întreținerea, înlocuirea sau repararea sistemelor și dispozitivelor de control al emisiilor poate fi efectuată de orice unitate sau persoană specializată în repararea motoarelor off-road.** Totuși, pentru efectuarea unui service al controlului emisiilor "fără taxă" lucrările trebuie efectuate de un agent autorizat de către producător. Vezi Garanția pentru emisii.

4. Apăsăți comutatorul de oprire (F), dacă există, în poziția on (pornit).
5. Deplasați comanda de accelerație (B) în poziția fast (rapid). Puneți în funcțiune motorul în poziția fast (rapid).
6. Deplasați comanda șocului (C) în poziția șoc.  
*Notă:* De obicei, utilizarea șocului nu este necesară când reporniți un motor cald.
7. **Pornire folosind coarda:** Rotiți comutatorul cu cheie (D), dacă există, în poziția run (funcționare).
8. **Pornire folosind coarda:** Apucați ferm mânerul corzii de pornire a motorului (E). Trageți coarda lent până când întâmpinați rezistență, apoi trageți rapid.  
*NOTĂ:* Dacă motorul nu pornește după încercări repetate, consultați dealerul local sau vizitați **VanguardEngines.com** or call **1-800-999-9333** (în SUA).



**AVERTISMENT:** Retragerea rapidă a corzii motorului (reculul) vă va trage mâna și brațul către motor mai repede decât puteți să îi dați drumul. Aceasta poate provoca ruperea oaselor, fracturi, zgârieturi sau luxații. La pornirea motorului, trageți lent coarda până ce simțiți că opune rezistență, apoi trageți rapid pentru a evita reculul.

9. **Pornire electrică:** Rotiți comutatorul de pornire electrică (D) în poziția on (pornit)/start.  
*NOTĂ:* Dacă motorul nu pornește după încercări repetate, consultați dealerul local sau vizitați **VanguardEngines.com** or call **1-800-999-9333** (în SUA).  
**NOTIFICARE:** Pentru a prelungi durata de funcționare a demarorului, utilizați cicluri scurte de pornire (maxim cinci minute). Așteptați un minut între cicluri.
10. Pe măsură ce motorul se încălzește, mutați comanda șocului (C) în poziția run (funcționare)

### Oprirea motorului - Figura 4



## AVERTISMENT



**Combustibilul și vaporii săi sunt foarte inflamabili și explozivi. Incendiul sau explozia se pot solda cu arsuri severe sau cu moartea.**

- Nu înecați carburatorul pentru a opri motorul.

1. Deplasați comanda accelerației (B) în poziția slow (lent) , apoi rotiți comutatorul cu cheie (D) în poziția off (oprit) (Figura 4). Scoateți cheia și păstrați-o într-un loc sigur, la care nu au acces copiii.
2. Apăsăți butonul de oprire (F), dacă există, în poziția oprit
3. După oprirea motorului, deplasați robinetul de oprire a combustibilului (A), dacă există, în poziția închis.



## AVERTISMENT



**Producerea accidentală de scântei se poate solda cu incendii sau cu electrocutare.**



**Pornirea accidentală se poate solda cu agățare, amputare traumatică sau tăieturi.**



**Pericol de incendiu**

### Înainte de a efectua reglaje sau reparații:

- Deconectați fișa bujiei și țineți-o la distanță de bujie.
- Deconectați borna negativă a bateriei (numai la motoarele cu sistem de pornire electrică).
- Utilizați doar scule corecte.
- Nu efectuați intervenții asupra clapetelor reglatoare, asupra transmisiilor sau asupra altor piese componente pentru a obține o turație mai mare a motorului.
- Piese de schimb trebuie să fie identice și montate în aceeași poziție cu piesele originale. Este posibil ca alte piese să nu funcționeze la fel de bine, să deterioreze aparatul sau să provoace vătămări corporale.
- Nu loviți volanta cu ciocanul sau cu obiecte grele. În caz contrar, volanta se poate dezmembra în timpul funcționării.

### Atunci când testați scântea la bujii:

- Folosiți un tester de bujie omologat.
- Nu verificați scântea la bujie cu bujia scoasă.

## Program de întreținere

### La fiecare 8 ore sau zilnic

- Verificați nivelul uleiului din motor
- Curățați zona din jurul tobei de eșapament și al comenzilor.

### La fiecare 100 de ore sau anual

- Curățați sau schimbați filtrul de aer \*
- Curățați prefiltrul (dacă există) \*
- Înlocuiți uleiul de motor și filtrul de ulei
- Înlocuiți bujia
- Inspectați eșapamentul și paravanul pentru scânteii

### La fiecare 250 de ore sau anual

- Verificați jocul supapei. Reglați-l dacă este necesar.

### La fiecare 400 de ore sau anual

- Înlocuiți filtrul de aer
- Înlocuiți filtrul de combustibil
- Curățați sistemul de răcire cu aer \*
- Curățați lamelele radiatorului pentru ulei \*

\* În medii prăfoase sau cu impurități în aer, curățați mai frecvent.

## Reglarea carburatorului și turației motorului

Nu reglați niciodată carburatorul sau turația motorului. Carburatorul a fost reglat din fabricație pentru a funcționa eficient în majoritatea condițiilor. Nu umblați la arcul regulator, legături sau alte piese pentru a schimba turația motorului. Dacă sunt necesare reglaje, contactați un centru de service autorizat Briggs & Stratton.

**OBSERVAȚIE:** Producătorul echipamentului specifică turația maximă a motorului instalat pe echipament. **Nu depășiți** această turație. Dacă aveți nelămuriri cu privire la turația maximă a echipamentului sau la turația motorului reglată din fabricație, contactați un centru de service autorizat Briggs & Stratton pentru asistență. Pentru a asigura funcționarea sigură și corectă a echipamentului, turația motorului trebuie reglată numai de un tehnician de service autorizat.

## Înlocuirea bujiei - Figura 5

Verificați deschiderea (A, Figura 5) cu un calibrul de sârmă (B). Dacă este necesar, modificați deschiderea. Montați și strângeți bujia la cuplul recomandat. Pentru stabilirea deschiderii bujiei sau cuplului, consultați secțiunea **Specificații**.

**Notă:** În unele zone, legile locale cer utilizarea unei bujii cu rezistor pentru a suprima semnalele de aprindere. Dacă acest motor a fost echipat la origine cu o bujie cu rezistor, utilizați același tip de bujie pentru înlocuire.

## Inspectați eșapamentul și paravanul pentru scânteii - Figura 6



### AVERTISMENT



Funcționarea motorului produce căldură. Piese ale motorului, în special toba de eșapament, devin foarte fierbinți.

Se pot produce arsuri termice grave la contactul cu acestea.



Deșeurile combustibile, cum ar fi frunzele, iarba, ramurile etc. pot lua foc.

- Lăsați eșapamentul, cilindrul și aripile acestuia să se răcească înainte de a le atinge.
- Îndepărtați materialele inflamabile acumulate în zona tobei de eșapament și a cilindrului.
- Legislația California Public Resource Code, Secțiunea 4442, precizează că motoarele utilizate în zone împădurite, cu iarbă sau cu tufișuri trebuie echipate cu paravan de scânteii în bună stare de funcționare, conform Secțiunii 4442. Este posibil ca și alte state să aibă legislație similară. Contactați producătorul echipamentului, vânzătorul sau distribuitorul pentru a obține un paravan de scânteii adaptat la sistemul de eșapament instalat pe acest motor.

Îndepărtați reziduurile acumulate în zona eșapamentului și cilindrului. Verificați dacă toba de eșapament (A, Figura 6) nu prezintă crăpături, semne de coroziune sau alte probleme. Demontați paravanul de scânteii (B), dacă există, și verificați dacă nu este deteriorat sau blocat cu funingine. Dacă depistați probleme, montați piesele de schimb înainte de utilizare.



**AVERTISMENT:** Piesele de schimb trebuie să fie identice și montate în aceeași poziție cu piesele originale. Este posibil ca alte piese să nu funcționeze la fel de bine, să deterioreze aparatul sau să provoace vătămări corporale.

## Schimbarea uleiului - Figura 7 8 9 10

Uleiul uzat este un deșeu periculos. Depozitați uleiul în mod corespunzător. Nu-l aruncați împreună cu resturile menajere. Interesați-vă la autoritățile locale, centrul de service sau la distribuitor despre instalații sigure de colectare/reciclare.

### Scurgerea uleiului

1. Cu motorul oprit dar încă cald, deconectați fișa bujiei (A) și țineți-o la distanță de bujie (Figura 7).
2. Demontați bușonul de scurgere a uleiului (B, Figura 8). Scurgeți uleiul într-un recipient adecvat.
3. După scurgerea uleiului, montați și strângeți bușonul de scurgere a uleiului.

### Schimbarea filtrului de ulei (dacă există)

Unele modele sunt echipate cu un filtru de ulei. Pentru intervalele de schimb, vezi tabelul **Întreținere**.

1. Scurgeți uleiul din motor. Vezi secțiunea **Scurgerea uleiului**.
2. Scoateți filtrul de ulei (C) și casați-l în mod corespunzător. Vezi Figura 9.
3. Înainte de a monta noul filtru de ulei, lubrifiați ușor garnitura filtrului de ulei cu ulei proaspăt și curat.
4. Montați filtrul de ulei manual până garnitura intră în contact cu adaptorul filtrului de ulei, apoi strângeți filtrul de ulei 1/2 până la 3/4 de rotație.
5. Adăugați ulei. Vezi secțiunea **Adăugarea uleiului**.
6. Porniți motorul și lăsați-l să funcționeze. Pe măsură ce motorul se încălzește, verificați eventualele scurgeri de ulei.
7. Opiți motorul și verificați nivelul uleiului. Acesta trebuie să fie în partea superioară a marcatului „plin” (F) de pe joă (Figura 10).

### Adăugarea uleiului

- Așezați motorul pe orizontală.
  - Curățați eventualele deșeuri din zona orificiului de alimentare cu ulei.
  - Vezi secțiunea **Specificații** pentru detalii cu privire la capacitatea de ulei.
1. Scoateți joa (D) și ștergeți-o cu o cârpă curată (Figura 10).
  2. Turnați uleiul, încet, în gura de alimentare cu ulei a motorului (E). **Nu umpleți prea tare.** După ce ați adăugat ulei, așteptați un minut după care verificați nivelul uleiului.
  3. Montați și strângeți joa.
  4. Scoateți joa și verificați nivelul uleiului. Acesta trebuie să fie în partea superioară a marcatului „plin” (F) de pe joa.
  5. Montați și strângeți joa.

## Întreținerea filtrului de aer - Figura 11



### AVERTISMENT



Combustibilul și vaporii săi sunt foarte inflamabili și explozivi.



Incendiul sau explozia se pot solda cu arsuri severe sau cu moartea.



- Nu porniți și nu lăsați motorul să funcționeze fără ansamblu de filtrare (dacă este prevăzut) sau filtru (dacă este prevăzut).

**NOTIFICARE:** Nu folosiți aer presurizat sau solvenți pentru a curăța filtrul. Aerul presurizat poate deteriora filtrul, iar solvenții îl dizolvă.

Vezi **tabelul de întreținere** pentru instrucțiuni privind întreținerea.

1. **Modele fără rezervor de combustibil:** Deschideți clapetele (A) și demontați capacul (B). Vezi figura 11.
2. Demontați piulița (D) și blocajul (E).
3. Demontați filtrul de aer (F).
4. Demontați prefiltrul (G), dacă există, din filtrul de aer.
5. Pentru a îndepărta impuritățile, loviți ușor filtrul de aer de o suprafață dură. Dacă filtrul de aer este excesiv de murdar, înlocuiți-l cu unul nou.
6. Spălați prefiltrul în detergent lichid și apă. Apoi lăsați-l să se usuce complet la aer. **Nu ungeți prefiltrul cu ulei.**
7. Montați prefiltrul uscat în filtrul de aer.
8. Montați filtrul de aer și fixați-l folosind blocajul și piulița.
9. Montați și fixați capacul.

## Înlocuirea filtrului de combustibil - Figura 12



### AVERTISMENT



**Combustibilul și vaporii săi sunt foarte inflamabili și explozivi. Incendiul sau explozia se pot solda cu arsuri severe sau cu moartea.**



- Păstrați combustibilul la distanță de scânteii, flăcări deschise, flăcări de veghe, căldură și de alte surse de aprindere.
- Verificați frecvent conductele de combustibil, rezervorul, bușonul și fittingurile pentru a observa eventualele crăpături sau scurgeri. Înlocuiți-le dacă este necesar.
- Înainte de a înlocui filtrul de combustibil, scurgeți combustibilul din rezervor sau închideți robinetul de oprire a combustibilului.
- Piesele de schimb trebuie să fie identice și montate în aceeași poziție ca piesele originale.
- Dacă se varsă combustibil, așteptați până când acesta se evaporă înainte de a porni motorul.

1. Înainte de a înlocui filtrul de combustibil (A, Figura 12), dacă acesta există, scurgeți combustibilul din rezervor sau închideți robinetul de oprire a combustibilului. În caz contrar, combustibilul se poate scurge și provoca un incendiu sau o explozie.
2. Folosiți un clește pentru a strânge lamelele (B) pe cleme (C), apoi glisați clemele distanțându-le de filtrul de combustibil. Răsuciți și extrageți conductele de combustibil (D) de pe filtrul de combustibil.
3. Verificați dacă conductele de alimentare cu combustibil nu prezintă crăpături sau scurgeri. Înlocuiți-le dacă este necesar.

## Depozitare



### AVERTISMENT



**Combustibilul și vaporii săi sunt foarte inflamabili și explozivi. Incendiul sau explozia se pot solda cu arsuri severe sau cu moartea.**



**Atunci când depozitați combustibil sau echipamentul cu combustibil în rezervor**

- Depozitați-le la distanță de cuptoare, sobe, boilere sau alte echipamente care au flacără de veghe sau altă sursă de aprindere, deoarece acestea ar putea aprinde vaporii de combustibil.

## Sistemul de alimentare cu combustibil

Combustibilul se poate învechi în cazul în care este depozitat mai mult de 30 de zile. Învechirea combustibilului provoacă formarea de depozite de acizi și reziduuri în

4. Înlocuiți filtrul de combustibil cu un filtru nou original.
5. Fixați conductele de combustibil cu ajutorul clemelor, conform ilustrației.

## Curățarea sistemului de răcire cu aer - Figura 13



### AVERTISMENT



**Funcționarea motorului produce căldură. Piese ale motorului, în special toba de eșapament, devin foarte fierbinți.**



**Se pot produce arsuri termice grave la contactul cu acestea.**



**Deșeurile combustibile, cum ar fi frunzele, iarba, ramurile etc. pot lua foc.**

- Lăsați eșapamentul, cilindrul și aripile acestuia să se răcească înainte de a le atinge.
- Îndepărtați materialele inflamabile acumulate în zona tobei de eșapament și a cilindrului.

**NOTIFICARE:** Nu folosiți apă pentru a curăța motorul, deoarece aceasta poate să contamineze sistemul de alimentare cu combustibil. Folosiți o perie sau o cârpă uscată pentru curățarea motorului.

Acest motor este răcit cu aer. Murdăria sau reziduurile pot restricționa fluxul de aer și provoca supraîncălzirea motorului, având ca rezultat scăderea performanțelor și reducerea duratei de funcționare a motorului.

Folosiți o perie sau o cârpă uscată pentru a îndepărta reziduurile de pe protecția pentru degete (A). Mențineți curățenia conexiunilor, arcurilor și comenzilor (B). Nu permiteți acumularea de deșeurii inflamabile în zona din jur și din spatele tobei de eșapament (C) (Figura 13). Asigurați-vă că lamelele radiatorului pentru ulei (D) sunt curate.

sistemul de alimentare cu combustibil sau în componentele esențiale ale carburatorului. Pentru a păstra combustibilul proaspăt, utilizați stabilizatorul de combustibil **Briggs & Stratton Advanced Formula Fuel Treatment & Stabilizer**, disponibil în toate punctele de comercializare a pieselor de schimb originale.

Dacă ați adăugat aditiv de stabilizare conform instrucțiunilor, nu este necesară scoaterea benzinei din motor. Lăsați motorul să funcționeze timp de 2 minute înainte de depozitare pentru ca aditivul de stabilizare să circule în sistemul de alimentare cu combustibil.

Dacă benzina din motor nu a fost tratată cu un stabilizator de combustibil, trebuie scursă într-un recipient adecvat. Lăsați motorul să funcționeze până ce se oprește din cauza lipsei de combustibil. Pentru menținerea proșpețimii, se recomandă utilizarea unui stabilizator de combustibil în recipientul de stocare.

## Ulei de motor

Schimbați uleiul cât timp motorul este cald.

## Căutarea defecțiunilor

Aveți nevoie de asistență? Accesați [VanguardEngines.com](http://VanguardEngines.com) sau sunați la **1-800-999-9333** (în SUA).

## Specificații

Specificațiile motorului	
Model	290000
Capacitate cilindrică	29,23 ic (479 cc)
Alezaj	2,677 in (68 mm)
Cursă	2,598 in (66 mm)
Capacitate ulei	46 - 48 oz (1,36 - 1,42 L)

Specificațiile motorului	
Model	300000
Capacitate cilindrică	29,23 ic (479 cc)
Alezaj	2,677 in (68 mm)
Cursă	2,598 in (66 mm)
Capacitate ulei	46 - 48 oz (1,36 - 1,42 L)

Specificațiile motorului	
Model	350000
Capacitate cilindrică	34,78 ic (570 cc)
Alezaj	2,835 in (72 mm)
Cursă	2,756 in (70 mm)
Capacitate ulei	46 - 48 oz (1,36 - 1,42 L)

Specificațiile motorului	
Model	380000
Capacitate cilindrică	38,26 ic (627 cc)
Alezaj	2,972 in (75,5 mm)
Cursă	2,756 in (70 mm)
Capacitate ulei	46 - 48 oz (1,36 - 1,42 L)

Specificații de reglare *	
Model	290000, 300000
Distanță electrozi bujie	0,030 in (0,76 mm)
Cuplu bujie	180 lb-in (20 Nm)
Distanță electrozi rotor	0,008 - 0,012 in (0,20 - 0,30 mm)
Joc supapă de admisie	0,004 - 0,006 in (0,10 - 0,15 mm)
Joc supapă de evacuare	0,004 - 0,006 in (0,10 - 0,15 mm)

Specificații de reglare *	
Model	350000, 380000
Distanță electrozi bujie	0,030 in (0,76 mm)
Cuplu bujie	180 lb-in (20 Nm)
Distanță electrozi rotor	0,008 - 0,012 in (0,20 - 0,30 mm)
Joc supapă de admisie	0,004 - 0,006 in (0,10 - 0,15 mm)
Joc supapă de evacuare	0,004 - 0,006 in (0,10 - 0,15 mm)

\* Puterea motorului va scădea cu 3,5% la fiecare 1.000 de picioare (300 de metri) deasupra nivelului mării și cu 1% la fiecare 10° F (5,6° C) peste 77° F (25° C). Motorul va funcționa corect la un unghi de până la 15°. Consultați manualul de utilizare al echipamentului pentru limitările de siguranță privind utilizarea în pantă.

Componente ce necesită service frecvent ✓			
Componentă service	Piesa numărul	Componentă service	Piesa numărul
Filtru de aer – în afară de modelul: 358700, 380000	394018	Filtru de combustibil – cu rezervor de combustibil	808116
Filtru de aer – model: 358700, 380000	692519	Filtru de combustibil - cu pompă de combustibil	691035
Prefiltru filtru de aer – în afară de modelul: 358700, 380000	272490	Filtru de combustibil - fără pompă de combustibil	298090
Prefiltru filtru de aer – model: 358700, 380000	692520	Advanced Formula Fuel Treatment & Stabilizer	100117, 100120
Ulei – SAE 30	100028	Bujie cu rezistor	491055
Filtru de ulei - 6 cm lungime	492932	Bujie de platină cu durată lungă de viață	5066
Filtru de ulei – 9 cm lungime	491056	Cheie pentru bujii	19374
		Tester de bujii	19368

✓ Vă recomandăm să apelați la un agent autorizat Briggs & Stratton pentru toate operațiile de întreținere și reparare a motorului și a pieselor.

### GARANȚIE LIMITATĂ

Briggs & Stratton Corporation garantează că, în perioada de garanție specificată mai jos, va repara sau înlocui, în mod gratuit, orice piesă(e) care prezintă defecte de materiale, de fabricație sau ambele. Cheltuielile de transport pentru piesele trimise pentru a fi reparate sau înlocuite sub această garanție trebuie suportate de către cumpărător. Această garanție este valabilă pentru perioadele de timp și în condițiile menționate mai jos. Pentru reparații în perioada de garanție, căutați cel mai apropiat agent autorizat Briggs & Stratton pe harta noastră de la adresa BRIGGSandSTRATTON.COM. Cumpărătorul trebuie să contacteze dealerul cu service autorizat, apoi să pună la dispoziția dealerului cu service autorizat pentru verificare și testare.

**Nu există nici o altă garanție specifică. Garanțiile implicite, cum ar fi garanția de vandabilitate și garanția funcționării produsului în conformitate cu un anumit domeniu de aplicabilitate sunt limitate la perioada de garanție specificată mai jos sau la o perioadă de timp impusă de lege. În limitele prevăzute de lege, producătorul este exonerat de orice răspundere în ceea ce privește daunele care nu fac obiectul garanțiilor.** Este posibil ca această prevedere să nu fie valabilă pentru Dvs., deoarece legile privitoare la garanția acordată pentru aceste daune variază în funcție de țară și de stat. Această garanție vă conferă anumite drepturi legale, în plus puteți beneficia și de alte drepturi legale, care diferă de la o țară la alta și de la un stat la altul. \*\*

### TERMENI DE GARANȚIE STANDARD \* ▲

Marcă/Tipul produsului	Uz Personal	Uz Comercial
Vanguard™ ■	3 ani	3 ani
Commercial Turf Series™	2 ani	2 ani
Motoare cu cilindri din fontă Dura-Bore™	2 ani	1 an
Alte motoare Briggs & Stratton	2 ani	90 zile

\* Aceștia sunt termenii noștri standard de garanție, însă este posibil să publicăm ocazional termeni de garanție suplimentari, care nu existau la data publicării. Pentru a obține termenii de garanție actualizați, accesați BRIGGSandSTRATTON.COM sau contactați un reprezentant de service autorizat Briggs & Stratton.

\*\* În Australia – Produsele noastre sunt furnizate cu garanții care nu pot fi excluse conform Drepturilor consumatorului din Australia. Aveți dreptul la înlocuire sau rambursare în cazul unei defecțiuni majore și la compensații pentru orice alte pierderi sau daune previzibile. De asemenea, aveți dreptul la repararea sau înlocuirea produselor dacă acestea nu au o calitate acceptabilă și dacă defecțiunea nu este una majoră. Pentru service în garanție, găsiți cel mai apropiat dealer cu service autorizat folosind harta dealerilor de la BRIGGSandSTRATTON.COM, apelați 1300 274 447 sau trimiteți un e-mail sau o scrisoare la salesenquiries@briggsandstratton.com.au, Briggs & Stratton Australia Pty Ltd, 1 Moorebank Avenue, Moorebank, NSW, Australia, 2170.

▲ Nu se acordă garanție pentru motoarele folosite ca sursă principală de alimentare în locul rețelelor de utilități sau pentru generatoarele de rezervă folosite în scop comercial. Motoarele folosite în competiții sau pe utilaje comerciale ori de închiriat nu beneficiază de garanție.

■ Motoare Vanguard montate pe generatoare de rezervă: 2 ani pentru persoane fizice, nu se oferă garanție pentru mediul comercial. Motoare Vanguard montate pe vehicule utilitare: 2 ani garanție pentru persoane fizice, 2 ani pentru utilizare comercială. Motor Vanguard în 3 cilindri răcit cu lichid: vezi politica de garanție pentru motor Briggs & Stratton 3/LC.

Perioada de garanție începe la data achiziției de către primul client sau firmă. „Uz personal” reprezintă utilizarea de către o persoană fizică într-un mediu casnic. „Uz comercial” reprezintă toate celelalte tipuri de utilizare, inclusiv cele în scop comercial, pentru obținerea de venituri sau pentru închiriere. După ce un motor a fost supus uzului comercial, va intra sub incidența termenilor pentru motoare de uz comercial ai acestei garanții.

**Păstrați chitanța de cumpărare. Dacă nu puteți să dovedeți data cumpărării inițiale când solicitați service în garanție, perioada de garanție va fi stabilită folosind data fabricației produsului. Înregistrarea produsului nu este obligatorie pentru a beneficia de service în garanție pentru produsele Briggs & Stratton.**

### Despre garanție

Această garanție limitată acoperă numai defectele de material și/sau de manoperă, nu acoperă înlocuirea sau rambursarea costului echipamentului pe care este montat motorul. Întreținerea periodică, reglajele sau uzura normală nu sunt acoperite de această garanție. De asemenea, garanția nu este valabilă dacă motorul a fost modificat sau dacă numărul de serie al motorului a fost degradat sau demontat. Această garanție nu include echipamentele sau motoarele folosite, recondiționate, second-hand sau demonstrative. Această garanție nu acoperă deteriorarea motorului sau problemele de funcționare cauzate de:

- 1 folosirea altor piese decât piesele originale Briggs & Stratton;
- 2 funcționarea motorului cu ulei insuficient, contaminat sau de tip incorect;
- 3 folosirea de combustibil contaminat sau vechi, benzină cu peste 10% etanol sau folosirea de combustibili alternativi precum GPL pe motoare care nu au fost proiectate/produse de Briggs & Stratton pentru a funcționa cu astfel de combustibili;
- 4 murdăria intrată în motor din cauza întreținerii sau reasamblării incorecte a filtrului de aer;

- 5 lovirea unui obiect cu lama cuțitului unei mașini cu cuțite rotative de tuns gazonul, slăbirea sau montarea incorectă a adaptoarelor cuțitelor, rotoarelor sau altor dispozitive montate pe arborele cotit, sau strângerea excesivă a curelei trapezoidale;
- 6 piese sau ansamble asociate care nu sunt furnizate de Briggs & Stratton, precum ambreiaje, transmisii, comenzi ale echipamentului;
- 7 supraîncălzirea din cauza ierbii tăiate, noroiului, reziduurilor sau cuiburilor de rozătoare care astupă sau înfundă lamelele de răcire sau zona volantei, sau folosirea motorului fără ventilație suficientă;
- 8 vibrarea excesivă datorită supraturării, fixării incorecte a motorului, cuțitelor sau rotoarelor desfăcute sau dezechilibrate, sau cuplării incorecte a componentelor echipamentului pe arborele cotit;
- 9 folosirea greșită, lipsa întreținerii periodice, transport, manipulare sau depozitare, instalare incorectă a motorului.

**Operațiunile de service din perioada de garanție pot fi efectuate numai de service-urile distribuitorilor autorizați Briggs & Stratton Corporation. Localizați cel mai apropiat service al unui distribuitor autorizat utilizând harta distribuitorilor de la BRIGGSandSTRATTON.COM sau sunați la numărul 1-800-233-3723 (în SUA).**



## Общие сведения

В настоящем руководстве содержится информация по безопасности, которая предупредит Вас об опасностях и рисках, связанных с эксплуатацией двигателя, а также о том, как их избежать. В руководстве также приведены инструкции по надлежащей эксплуатации и обслуживанию двигателя. Поскольку компания Briggs & Stratton может не знать, какое оборудование будет приводить в движение данный двигатель, важно, чтобы Вы прочли и поняли эти инструкции, а также инструкции для оборудования, имеющего привод от данного двигателя. **Сохраните настоящее руководство для обращения к нему в будущем.**

Для получения запасных частей или технической поддержки в будущем запишите ниже модель, тип и код Вашего двигателя вместе с датой покупки. Эти данные указаны на Вашем двигателе (см. страницу раздела **Отдельные узлы и органы управления**).

Дата покупки: \_\_\_\_\_

ММ/ДД/ГГГГ

Модель двигателя: \_\_\_\_\_

Модель:

Тип:

Код:

**Номинальная мощность:** Значения полной номинальной мощности отдельных моделей с бензиновыми двигателями указываются на табличках в соответствии со стандартом SAE (Ассоциация инженеров автомобилестроения) J1940 (Процедура оценки мощности и крутящего момента малолитражного двигателя), а номинальные характеристики были получены и откорректированы в соответствии со стандартом SAE J1995. Значения крутящего момента получаются при 2600 об/мин для двигателей с обозначением "rpm" на наклейке и 3060 об/мин для всех других двигателей; значения мощности в л.с. получаются при 3600 об/мин. Характеристики полной мощности можно просмотреть на Web-сайте: [www.BRIGGSandSTRATTON.COM](http://www.BRIGGSandSTRATTON.COM). Значения эффективной мощности определяются при установленных выхлопном тракте и воздушном фильтре, в то время как значения полной мощности определяются без указанных приспособлений. Реальная полная мощность двигателя больше эффективной мощности и зависит, кроме прочего, от окружающих условий эксплуатации и конкретной модификации двигателя. Учитывая широкий спектр устройств, на которые устанавливаются двигатели, бензиновые двигатели могут не развивать номинальной полной мощности при использовании на конкретных видах силового оборудования. Данное обстоятельство обусловлено рядом факторов, включая, помимо прочего, различные компоненты двигателя (воздушный фильтр, система выхлопа, наддува, охлаждения, карбюратор, топливный насос и т.п.), ограничения по использованию на конечном устройстве, окружающие условия эксплуатации (температура, влажность, высота над уровнем моря) и различия в модификациях двигателя. По причине производственных ограничений и нехватки мощностей, компания Briggs & Stratton может заменить двигатель с более высокой номинальной мощностью на двигатель данной серии.

## Безопасность оператора

### СИМВОЛЫ ПО ТЕХНИКЕ БЕЗОПАСНОСТИ И ОПЕРАЦИЯМ УПРАВЛЕНИЯ



Предупредительный знак используется для обозначения информации об опасных ситуациях, которые могут привести к травме. С этим знаком используется сигнальное слово (ОПАСНО, ПРЕДУПРЕЖДЕНИЕ или ОСТОРОЖНО), указывающее на вероятность и потенциальную тяжесть травмы. В дополнение, символ опасности может использоваться для указания вида опасности.

**ОПАСНО** указывает на опасную ситуацию, которая, если ее не избежать, **приведет к смертельному исходу или серьезной травме.**

**ПРЕДУПРЕЖДЕНИЕ** указывает на опасную ситуацию, которая, если ее не избежать, **может привести к смертельному исходу или серьезной травме.**

**ОСТОРОЖНО** указывает на опасную ситуацию, которая если ее не избежать, **может привести к травме средней тяжести или легкой травме.**

**ВНИМАНИЕ** указывает на ситуацию, которая **может привести к повреждению изделия.**

**ПРЕДУПРЕЖДЕНИЕ**  
Некоторые компоненты данного устройства и сопутствующие принадлежности могут содержать вещества, признанные Штатом Калифорния как вещества, которые могут вызвать рак и привести к нарушению репродуктивной функции. Мойте руки после обращения с такими компонентами.

**ПРЕДУПРЕЖДЕНИЕ**  
Выхлопные газы двигателя содержат химические продукты, которые, по данным штата Калифорния, вызывают рак, дефекты у новорожденных или иные нарушения репродуктивной функции.

**ПРЕДУПРЕЖДЕНИЕ**  
Двигатели Briggs & Stratton не предназначены и не должны использоваться для привода: развлекательных и спортивных катков, детских, развлекательных или вездеходных транспортных средств, мотоциклов, транспортных средств на воздушной подушке, летательных аппаратов или транспортных средств для соревнований, без получения разрешения компании Briggs & Stratton. Дополнительную информацию о продукции для гонок см. на интернет-сайте [www.briggsracing.com](http://www.briggsracing.com). При необходимости использования двигателя во внедорожниках или автомобилях типа багги, пожалуйста, обратитесь в Центр информации по применению двигателей компании Briggs & Stratton по тел. 1-866-927-3349. Некорректное использование двигателя может стать причиной серьезных травм или летального исхода.

**ВНИМАНИЕ:** Данный двигатель поставляется компанией Briggs & Stratton без масла. Перед запуском двигателя, обязательно залейте масло согласно инструкциям настоящего руководства. Если Вы запустите двигатель без масла, то двигатель будет невосстановимо поврежден, и этот случай не будет покрываться гарантией.



## ПРЕДУПРЕЖДЕНИЕ



**Топливо и его пары чрезвычайно огнеопасны и взрывоопасны. Воспламенение или взрыв могут привести к сильным ожогам или смертельному исходу.**

### При добавлении топлива

- Прежде чем открыть крышку топливного бака, выключите двигатель и дайте ему остыть в течение, по меньшей мере, 2 минут.
- Заполняйте топливный бачок, либо на открытом воздухе, либо в хорошо проветриваемой зоне.
- Не допускайте переполнения топливного бака. Для обеспечения расширения бензина не заполняйте выше нижней части горловины бака.
- Храните топливо вдали от искр, открытого пламени, горелок, нагревательных приборов и прочих источников воспламенения.
- Регулярно проверяйте топливопровод, бак, крышку и фитинги на наличие трещин и утечек. При необходимости, выполните замену.
- В случае пролива топлива, дождитесь его полного испарения, прежде чем запустить двигатель.

### При запуске двигателя

- Убедитесь, что свеча зажигания, глушитель, крышка топливного бака и воздушный фильтр (если установлен) находятся на своих местах и надежно закреплены.
- Не проверяйте искру с вынутой свечей зажигания.
- В случае перелива топлива в карбюраторе двигателя, установите воздушную заслонку (если таковая имеется) в положение OPEN/RUN (Открыта/Работа), переместите дроссельную заслонку (если таковая имеется) в положение FAST (Быстро) и заводите двигатель, пока он не запустится.

### При эксплуатации оборудования

- Не наклоняйте двигатель или оборудование на угол, при котором может пролиться топливо.
- Не перемещайте рычаг воздушной заслонки в закрытое положение для останова двигателя.
- Никогда не запускайте и не эксплуатируйте двигатель без установленного узла воздухоочистителя (если установлен) или воздушного фильтра (если установлен).

### При замене масла

- Если вы сливаете масло через верхний маслосливной патрубок, топливный бак должен быть опорожнен или топливо начнет вытекать, что приведет к пожару или взрыву.

### Когда для выполнения техобслуживания агрегат наклоняется

- Если для выполнения техобслуживания потребуются наклон агрегата, то топливный бак должен быть опорожнен, в противном случае топливо может вытекать, что приведет к пожару или взрыву.

### При транспортировке оборудования

- Транспортируйте двигателя с ПУСТЫМ топливным баком или с ЗАКРЫТЫМ краном подачи топлива.

### При хранении топлива или оборудования с топливом в баке

- Храните оборудование на расстоянии от котлов, печей, водонагревателей и прочих приборов, в которых используются горелки или иные источники воспламенения, поскольку они могут воспламенить пары топлива.



## ПРЕДУПРЕЖДЕНИЕ



**При запуске двигателя происходит образование искры. Образование искры может вызвать воспламенение горючих газов.**

**Это может привести к взрыву и пожару.**

- Не запускайте двигатель в том месте, где происходит утечка природного или сжиженного газа.
- Не используйте пусковые жидкости в аэрозольной упаковке, так как их пары огнеопасны.



## ПРЕДУПРЕЖДЕНИЕ



**ОПАСНОСТЬ ОТРАВЛЕНИЯ ЯДОВИТЫМ ГАЗОМ. Выхлоп двигателя содержит окись углерода, ядовитый газ, который может Вас убить в течение нескольких минут. Вы НЕ МОЖЕТЕ его увидеть, почувствовать его запах или вкус. Даже если Вы не ощущаете запах выхлопных газов, Вы можете всё равно подвергаться воздействию газообразной окиси углерода. Если Вы начнете испытывать тошноту, почувствуете головокружение или слабость во время использования этого изделия, то выключите его и НЕМЕДЛЕННО выйдите на свежий воздух. Обращайтесь к врачу. Вы можете получить отравление окисью углерода.**

- Эксплуатируйте это изделие ТОЛЬКО на открытом воздухе в удалении от окон, дверей и вентиляционных отверстий, чтобы снизить риск накопления газообразной окиси углерода и его возможного проникновения в жилые помещения.
- Установите работающий от резервной аккумуляторной батареи сигнализатор присутствия окиси углерода в соответствии с инструкциями производителя. Сигнализаторы дыма не могут обнаружить газообразную окись углерода.
- ЗАПРЕЩАЕТСЯ эксплуатировать это изделие в зданиях, гаражах, подвалах, подполье, помещениях или иных частично закрытых пространствах, даже при использовании вентиляторов или при открытых дверях и окнах для проветривания. Окись углерода может быстро накапливаться в таких пространствах, и может сохраняться в течение нескольких часов, даже после выключения этого изделия.
- ВСЕГДА размещайте это изделие в направлении по ветру, и направляйте выхлоп двигателя в сторону от жилых зон.



## ПРЕДУПРЕЖДЕНИЕ



**Быстрое втягивание шнура стартера (отдача) может притянуть руку к двигателю быстрее, чем Вы успеете отпустить ручку шнура. Это может привести к переломам, ушибам или растяжениям.**

- При запуске двигателя, потяните сначала за ручку шнурового стартера медленно, а затем, когда почувствуете сопротивление, потяните быстро, чтобы избежать отдачи.
- Перед запуском двигателя, снимите все внешние нагрузки на оборудование/двигатель.
- Непосредственно подсоединенные элементы оборудования, например, лезвия, крыльчатки, шкивы, звездочки и т.п., но не ограничиваясь ими, должны быть надежно закреплены.



## ПРЕДУПРЕЖДЕНИЕ



**Вращающиеся детали могут войти в контакт с руками, ногами, волосами, одеждой и ее аксессуарами или захватить их.**

**Это может привести к травматической ампутации или тяжелым рваным ранам.**

- Не эксплуатируйте оборудование без установленных защитных приспособлений.
- Не приближайте руки и ноги к вращающимся деталям.
- Подвязывайте длинные волосы и снимайте ювелирные изделия.
- Не носите свободную одежду, болтающиеся шнурки или предметы, которые могут быть захвачены движущимися деталями.



## ПРЕДУПРЕЖДЕНИЕ



Во время работы двигателя выделяют тепло. Детали двигателя, в особенности глушитель, становятся очень горячими.



Прикосновение к ним может привести к сильным ожогам.

Воспламеняемый мусор, например листья, трава, хворост и т.п., могут загореться.

- Дайте глушителю, цилиндру и ребрам цилиндра остыть, прежде чем дотрагиваться до них.
- Очистите зону вокруг глушителя и цилиндра от скопившегося воспламеняемого мусора.
- Использование или эксплуатация двигателя на любой территории, покрытой лесом, кустарником или травой, без установленного искрогасителя на системе выхлопных газов, является нарушением закона Калифорнии об общественных ресурсах, статья 4442. Согласно Статьи 4442 искрогаситель должен находиться в рабочем состоянии. Другие штаты или федеральные юрисдикции могут иметь сходные законы. Обратитесь к производителю оригинального оборудования, продавцу или дилеру для приобретения искрогасителя, предназначенного для выхлопной системы, установленной на этом двигателе.



## ПРЕДУПРЕЖДЕНИЕ



Случайное образование искры может привести к пожару или поражению электрическим током.



Случайный запуск может привести к захватыванию, травматической ампутации различных частей тела или к образованию рваных ран.



Риск возникновения пожара

### Перед выполнением регулировок или ремонта:

- Отсоедините провод свечи зажигания и удалите его от свечи.
- Отсоедините отрицательный вывод аккумулятора (только для двигателей с электростартером).
- Используйте только подходящие инструменты.
- Не меняйте настройку пружины, тяг или иных деталей регулятора для увеличения частоты вращения вала двигателя.
- Запасные части должны иметь оригинальную конструкцию и устанавливаться на то же самое место, что и первоначальные детали. Использование неоригинальных деталей может стать причиной травмирования людей, сбоев в работе и повреждения агрегата.
- Не ударяйте по маховику молотком или твердым предметом, т.к. маховик может позже разорваться во время эксплуатации двигателя.

### При проверке системы зажигания:

- Используйте разрешенный тестер системы зажигания.
- Не проверяйте искру с вынутой свечой зажигания.

## Узлы двигателя и органы управления

Сравните рисунок **1** со своим двигателем, чтобы ознакомиться с расположением различных узлов двигателя и органов управления.

**A.** Идентификационное обозначение двигателя

**Модель Тип Код**

- B.** Свеча зажигания
- C.** Воздушный фильтр
- D.** Щуп/Маслозаливная горловина
- E.** Масляный фильтр (опция)
- F.** Пробка сливного отверстия масла
- G.** Датчик давления масла
- H.** Ограждение для пальцев
- I.** Электростартер
- J.** Ручной тросовый стартер (опция)
- K.** Карбюратор
- L.** Выпускной коллектор
- M.** Топливный насос
- N.** Топливный фильтр (опция)
- O.** Маслоохладитель (опция)
- P.** Глушитель (опция)

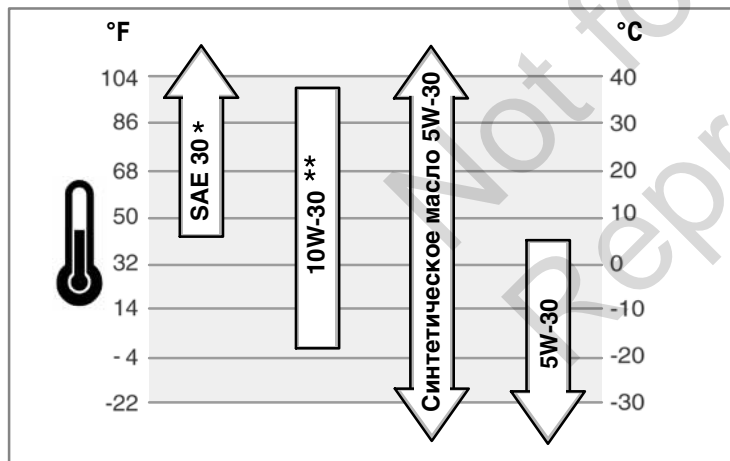
## Эксплуатация

Количество масла (смотрите раздел **Технические данные**)

### Рекомендации по использованию масла

Мы рекомендуем использовать разрешенные компанией Briggs & Stratton масла для достижения наилучших эксплуатационных характеристик. Другие высококачественные детергентные масла допускаются в том случае, если они классифицированы как "For Service SF, SG, SH, SJ" или выше. Запрещается использование специальных добавок.

Температура наружного воздуха определяет надлежащую вязкость моторного масла. Воспользуйтесь таблицей для выбора соответствующей вязкости для ожидаемого интервала температуры наружного воздуха.



\* Использование масла SAE 30 при температурах ниже 40°F (4°C) приведет к затрудненному запуску двигателя.

\*\* Использование масла 10W-30 при температурах выше 80°F (27°C) приведет к повышенному потреблению масла. Чаще проверяйте уровень масла.

### Как проверить уровень масла/долить масло - Рис. 2

**Перед добавлением или проверкой уровня масла**

- Установите двигатель в горизонтальное положение.
  - Очистите зону маслозаливного отверстия от любого мусора.
1. Вытащите щуп для измерения уровня масла (**A**) и оботрите его чистой тряпочкой (Рис. 2).
  2. Полностью вставьте щуп для измерения уровня масла.
  3. Извлеките щуп и проверьте уровень масла. Он должен соответствовать верхней части индикатора заполнения (**B**) на щупе.
  4. Если уровень ниже, медленно заливайте масло через маслозаливную горловину (**C**). **Не переполняйте.** После доливки масла подождите одну минуту и затем снова проверьте уровень масла.
  5. Полностью вставьте щуп для измерения уровня масла.

### Система защиты от низкого уровня масла (если имеется)

Некоторые двигатели оборудованы датчиком низкого уровня масла. Если уровень масла является низким, то этот датчик, либо включает лампочку предупреждающей сигнализации, либо останавливает двигатель. Остановите работу двигателя и выполните следующие действия перед повторным запуском двигателя.

- Проверьте, что двигатель установлен горизонтально.
- Проверьте уровень масла. Смотрите раздел **Как проверить уровень масла/долить масло.**
- Если уровень масла является низким, то долейте соответствующее количество масла. Запустите двигатель и убедитесь, что лампочка предупреждающей сигнализации (если имеется) не светится.
- Если уровень масла не является низким, то **не запускайте** двигатель. Обратитесь к официальному дилеру компании Briggs & Stratton для устранения неисправности, вызвавшей срабатывание датчика низкого уровня масла.

### Рекомендации по использованию топлива

**Топливо должно соответствовать следующим требованиям:**

- Чистый, свежий, неэтилированный бензин.
- Минимальное октановое число 87/87 AKI (91 RON = исследовательское октановое число). При работе на большой высоте над уровнем моря, смотрите указания ниже.
- Допускается использование бензина с содержанием этилового спирта до 10% (бензоспирт).

**ВНИМАНИЕ:** Не допускается использование неразрешенного бензина, например, E15 и E85. Не допускается примешивание масла в бензин, или модификация двигателя для работы на альтернативных видах топлива. Использование неразрешенных марок топлива станет причиной повреждения компонентов двигателя, которое не будет покрываться гарантийными обязательствами.

Для защиты топливной системы от образования смолы, примешивайте стабилизатор топлива к топливу. Смотрите раздел **Хранение.** Топливо может отличаться по составу и качеству. Если Вы сталкиваетесь с трудностями при запуске или в работе Вашего двигателя, то смените поставщика топлива или поменяйте торговую марку топлива. Данный двигатель сертифицирован для работы на бензине. Двигатель имеет систему контроля токсичности выхлопных газов, которая имеет обозначение EM (модификации двигателя).

### Использование на большой высоте над уровнем моря

При высоте над уровнем моря более 5000 футов (1524 метра) допускается применения бензина с октановым числом не менее 85/85 AKI (89 RON).

Для двигателей с карбюраторами потребуются высотная регулировка, чтобы удовлетворять требованиям по отработанным газам. Эксплуатация без такой регулировки приведет к ухудшению эксплуатационных параметров, увеличению расхода топлива и увеличению выброса отработанных газов. Касательно информации по высотной регулировке, обращайтесь к уполномоченному фирмой Briggs & Stratton сервисному дилеру. Эксплуатация двигателя на высотах ниже 762 метров (2,500 футов) с высотной регулировкой не рекомендуется.

Для двигателей с электронным впрыском топлива (EFI) высотная регулировка не требуется.

### Как добавить топливо - Рис. 3



#### ПРЕДУПРЕЖДЕНИЕ



Топливо и его пары чрезвычайно огнеопасны и взрывоопасны. Воспламенение или взрыв могут привести к сильным ожогам или смертельному исходу.

#### При добавлении топлива

- Прежде чем открыть крышку топливного бака, выключите двигатель и дайте ему остыть в течение, по меньшей мере, 2 минут.
- Заполняйте топливный бачок, либо на открытом воздухе, либо в хорошо проветриваемой зоне.
- Не допускайте переполнения топливного бака. Для обеспечения расширения бензина не заполняйте выше нижней части горловины топливного бака.
- Храните топливо вдали от искр, открытого пламени, горелок, нагревательных приборов и прочих источников воспламенения.
- Регулярно проверяйте топливопровод, бак, крышку и фитинги на наличие трещин и утечек. При необходимости, выполните замену.
- В случае пролива топлива, дождитесь его полного испарения, прежде чем запустить двигатель.

1. Очистите крышку наливной горловины и зону вокруг нее от любой грязи и остатков мусора. Снимите крышку топливозаправочного патрубка (**A**, рис. 3).
2. Заполните топливный бак (**B**) бензином. Для возможности расширения бензина, не заполняйте выше нижней части горловины топливного бака (**C**).
3. Установите на место крышку топливного бака.

## Как запустить двигатель - Рис. 4



### ПРЕДУПРЕЖДЕНИЕ



Быстрое втягивание шнура стартера (отдача) может притянуть руку к двигателю быстрее, чем Вы успеете отпустить ручку шнура.

- Это может привести к переломам, ушибам или растяжениям.
- При запуске двигателя, потяните сначала за ручку шнурового стартера медленно, а затем, когда почувствуете сопротивление, потяните быстро, чтобы избежать отдачи.



### ПРЕДУПРЕЖДЕНИЕ



Топливо и его пары чрезвычайно огнеопасны и взрывоопасны.

Воспламенение или взрыв могут привести к сильным ожогам или смертельному исходу.

#### При запуске двигателя

- Убедитесь, что свеча зажигания, глушитель, крышка топливного бака и воздушный фильтр (если установлен) находятся на своих местах и надежно закреплены.
- Не проверяйте искру с вынутой свечей зажигания.
- В случае перелива топлива в карбюраторе двигателя, установите воздушную заслонку (если таковая имеется) в положение OPEN/RUN (Открыта/Работа), переместите дроссельную заслонку (если таковая имеется) в положение FAST (Быстро) и заводите двигатель, пока он не запустится.



### ПРЕДУПРЕЖДЕНИЕ



**ОПАСНОСТЬ ОТРАВЛЕНИЯ ЯДОВИТЫМ ГАЗОМ.** Выхлоп двигателя содержит окись углерода, ядовитый газ, который может Вас убить в течение нескольких минут. Вы НЕ МОЖЕТЕ его увидеть, почувствовать его запах или вкус. Даже если Вы не ощущаете запах выхлопных газов, Вы можете всё равно подвергаться воздействию газообразной окиси углерода. Если Вы начнете испытывать тошноту, почувствуете головокружение или слабость во время использования этого изделия, то выключите его и НЕМЕДЛЕННО выйдите на свежий воздух. Обращайтесь к врачу. Вы можете получить отравление окисью углерода.

- Эксплуатируйте это изделие ТОЛЬКО на открытом воздухе в удалении от окон, дверей и вентиляционных отверстий, чтобы снизить риск накопления газообразной окиси углерода и его возможного проникновения в жилые помещения.
- Установите работающий от резервной аккумуляторной батареи сигнализатор присутствия окиси углерода в соответствии с инструкциями производителя. Сигнализаторы дыма не могут обнаружить газообразную окись углерода.
- ЗАПРЕЩАЕТСЯ эксплуатировать это изделие в зданиях, гаражах, подвалах, подполье, помещениях или иных частично закрытых пространствах, даже при использовании вентиляторов или при открытых дверях и окнах для проветривания. Окись углерода может быстро накапливаться в таких пространствах, и может сохраняться в течение нескольких часов, даже после выключения этого изделия.
- ВСЕГДА размещайте это изделие в направлении по ветру, и направляйте выхлоп двигателя в сторону от жилых зон.

**ВНИМАНИЕ:** Данный двигатель поставляется компанией Briggs & Stratton без масла. Перед запуском двигателя, обязательно залейте масло согласно инструкциям настоящего руководства. Если Вы запустите двигатель без масла, то двигатель будет невосстановимо поврежден, и этот случай не будет покрываться гарантией.

*Примечание:* Некоторые двигатели и оборудование снабжены органами дистанционного управления. Касательно расположения и работы органов дистанционного управления смотрите руководство по эксплуатации для конкретного оборудования.

1. Проверьте уровень масла. Смотрите раздел **Как проверить уровень масла/долить масло.**
2. Убедитесь, что органы управления приводом оборудования, если таковые имеются, установлены в нейтральное положение.
3. Поверните топливный запорный клапан (А), если установлен, в открытое положение (Рис. 4).
4. Переместите выключатель останова (F), если имеется, в положение on (вкл).

5. Установите рычаг дроссельной заслонки (B) в положение большой скорости. Эксплуатируйте двигатель в положении большой скорости.
6. Переместите рычаг дроссельной заслонки (C) или комбинированный рычаг воздушной/дроссельной заслонки в положение choke (Закрыто).

*Примечание:* Обычно нет необходимости в дросселировании при перезапуске теплого двигателя.

7. **Ручной тросовый стартер:** Поверните ключ выключателя (D), если установлен, в положение run (работа).
8. **Ручной тросовый стартер:** Крепко возьмитесь за ручку тросового стартера (E). Медленно потяните за ручку тросового стартера, а затем, когда почувствуете сопротивление, потяните быстро.

*ПРИМЕЧАНИЕ:* Если двигатель не запускается после неоднократных попыток, то обратитесь к своему местному дилеру или позвоните по телефону: **VanguardEngines.com** or call **1-800-999-9333** (в США).



**ПРЕДУПРЕЖДЕНИЕ:** Быстрое втягивание троса стартера (обратная отдача) притянет Вашу ладонь и руку к двигателю быстрее, чем Вы сможете среагировать на это. Это может привести к перелому костей, трещинам, ушибам или растяжениям. При запуске двигателя медленно потяните за ручку шнура стартера, а затем, когда Вы почувствуете сопротивление, потяните за ручку быстро, чтобы избежать отдачи.

9. **Электрический стартер:** Поверните ручку выключателя электрического стартера (D) в положение ON (Вкл)/START (Пуск).

*ПРИМЕЧАНИЕ:* Если двигатель не запускается после неоднократных попыток, то обратитесь к своему местному дилеру или позвоните по телефону: **VanguardEngines.com** or call **1-800-999-9333** (в США).

**ВНИМАНИЕ:** Для продления срока службы стартера используйте короткие циклы запуска (максимум, 5 секунд). Делайте паузу в одну минуту между циклами запуска.

10. После того, как двигатель прогреется, переместите рычаг воздушной заслонки (C) в положение RUN (Работа) ↓↑.

## Как остановить работу двигателя - Рис. 4



### ПРЕДУПРЕЖДЕНИЕ



Топливо и его пары чрезвычайно огнеопасны и взрывоопасны. Воспламенение или взрыв могут привести к сильным ожогам или смертельному исходу.

- Не перемещайте рычаг управления воздушной заслонкой в закрытое положение для останова двигателя.

1. Переместите рычаг управления дросселем (B) в положение медленной работы, поверните ключ (D) в положение OFF (Выкл) (Рис. 4). Извлеките ключ и храните его в надежном месте, недоступном для детей.
2. Установите выключатель останова (F), если установлен, в положение off (вкл).
3. После останова двигателя, поверните ручку крана подачи топлива (A), если установлен, в закрытое положение.

## Техническое обслуживание

Мы рекомендуем обращаться к любому уполномоченному сервисному дилеру от компании Briggs & Stratton для выполнения всех работ по техническому обслуживанию двигателя и его компонентов.

**ВНИМАНИЕ:** Все компоненты, используемые для сборки данного двигателя, должны оставаться на своем месте для его надлежащей работы.



**ПРЕДУПРЕЖДЕНИЕ:** Если для выполнения техобслуживания потребуется наклон агрегата, то топливный бак должен быть опорожнен, в противном случае топливо может вытекать, что приведет к пожару или взрыву.

### Устройство для снижения токсичности выхлопа

**Обслуживание, замена или ремонт устройств и систем контроля эмиссии могут выполняться любой мастерской или специалистом по ремонту внедорожных двигателей.** Однако, для получения бесплатной услуги по обслуживанию систем контроля эмиссии эти работы должны выполняться дилером, авторизованным заводом-изготовителем. См. Гарантию по эмиссии.



## ПРЕДУПРЕЖДЕНИЕ

Случайное образование искры может привести к пожару или поражению электрическим током.

Случайный запуск может привести к захватыванию, травматической ампутации различных частей тела или к образованию рваных ран.

Риск возникновения пожара

### Перед выполнением регулировок или ремонта:

- Отсоедините провод свечи зажигания и удалите его от свечи.
- Отсоедините отрицательный вывод аккумулятора (только для двигателей с электростартером).
- Используйте только подходящие инструменты.
- Не меняйте настройку пружины, тяг или иных деталей регулятора для увеличения частоты вращения вала двигателя.
- Запасные части должны иметь оригинальную конструкцию и устанавливаться на то же самое место, что и первоначальные детали. Использование неоригинальных деталей может стать причиной травмирования людей, сбоев в работе и повреждения агрегата.
- Не ударяйте по маховику молотком или твердым предметом, т.к. маховик может позже разорваться во время эксплуатации двигателя.

### При проверке системы зажигания:

- Используйте разрешенный тестер системы зажигания.
- Не проверяйте искру с вынутой свечой зажигания.

## Таблица выполнения технического обслуживания

### Каждые 8 часов работы или ежедневно

- Проверка уровня масла в двигателе
- Очистка зоны вокруг глушителя и органов управления

### Каждые 100 часов работы или ежегодно

- Очистить или заменить воздушный фильтр \*
- Очистка предварительного очистителя (если имеется) \*
- Замена масла и фильтра
- Замена свечи зажигания
- Проверка глушителя и искроуловителя

### Каждые 250 часов работы или ежегодно

- Проверка зазора клапанов. При необходимости, отрегулировать.

### Каждые 400 часов работы или ежегодно

- Замена воздушного фильтра
- Замените топливный фильтр
- Очистка системы воздушного охлаждения \*
- Очистка пластин масляного радиатора\*

\* В условиях сильной запыленности или наличия в воздухе частичек сора, очистку следует выполнять более часто.

## Карбюратор и регулировка числа оборотов двигателя

Никогда не выполняйте регулировки на карбюраторе или регуляторе числа оборотов двигателя. Карбюратор был отрегулирован на заводе-изготовителе для эффективной работы при наиболее типичных условиях эксплуатации.

Запрещается вмешательство в работу пружины регулятора оборотов, рычажных механизмов или иных узлов с целью изменения числа оборотов двигателя. Если потребуются какие-либо регулировки, то для обслуживания обращайтесь, пожалуйста, в авторизованный сервисный центр от фирмы Briggs & Stratton.

**ПРИМЕЧАНИЕ:** Производитель оборудования указывает максимальное число оборотов для двигателя, который установлен на оборудовании. **Не допускается превышения** этого числа оборотов. Если Вы не уверены, каким является максимальное число оборотов для оборудования, или какое число оборотов двигателя установлено на заводе-изготовителе, то за поддержкой обращайтесь, пожалуйста, в авторизованный сервисный центр от фирмы Briggs & Stratton. Для безопасной и правильной эксплуатации оборудования, число оборотов двигателя должно регулироваться только квалифицированным техником по обслуживанию.

## Как заменить свечу зажигания - Рис. 5

Проверьте зазор (А, Рис. 5) с помощью проволочного калибра (В). При необходимости, установите зазор. Установите и затяните свечу зажигания с

рекомендованным моментом затяжки. Касательно установки зазора или момента затяжки смотрите раздел **Технические данные**.

**Примечание:** В некоторых районах местные законы требуют использования резисторной свечи зажигания для подавления помех от сигналов зажигания. Если на данном двигателе была изначально установлена резисторная свеча зажигания, то для замены необходимо использовать свечу зажигания того же типа.

## Проверьте глушитель и искроуловитель - Рис. 6



### ПРЕДУПРЕЖДЕНИЕ



Во время работы двигателя выделяют тепло. Детали двигателя, в особенности глушитель, становятся очень горячими.

Прикосновение к ним может привести к сильным ожогам.



Воспламеняемый мусор, например листья, трава, хворост и т.п., могут загореться.

- Дайте глушителю, цилиндру и ребрам цилиндра остыть, прежде чем дотрагиваться до них.
- Очистите зону вокруг глушителя и цилиндра от скопившегося воспламеняемого мусора.
- К нарушению Правил пользования общими ресурсами штата Калифорния, раздел 4442, относятся использование или эксплуатация данного двигателя в какой-либо покрытой лесом, кустарниками или травой местности, если только система выпуска отработавших газов не оборудована искрогасителем, как это определено в Разделе 4442, который находится в нормальном рабочем состоянии. Другие штаты или территории в подведомственности федерального органа власти могут иметь аналогичные законы. Обращайтесь к производителю оригинального оборудования, продавцу или дилеру для приобретения искрогасителя, разработанного для системы выпуска отработавших газов, установленной на данном двигателе.

Очистите зону вокруг глушителя и цилиндра от скопившегося мусора. Осмотрите глушитель (А, Рис. 6) на отсутствие трещин, коррозии или прочих повреждений. Извлеките искроуловитель (В), если таковой имеется, и проверьте на отсутствие повреждения или закупорки сажей. В случае обнаружения поврежденных деталей, до начала работы их следует заменить запасными деталями.



**ПРЕДУПРЕЖДЕНИЕ:** Запасные части должны иметь оригинальную конструкцию и устанавливаться на то же самое место, что и первоначальные детали. Использование неоригинальных деталей может стать причиной травмирования людей, сбоев в работе и повреждения агрегата.

## Как выполнить замену масла - Рис. 7 8 9 10

**ВНИМАНИЕ:** Отработанное масло представляет собой опасный продукт и должно быть утилизировано надлежащим способом. Выясните местонахождение пунктов безопасной утилизации/повторной переработки у местных властей, в сервисном центре или у дилера.

### Слив масла

1. При выключенном, но еще теплом двигателе отсоедините провод свечи зажигания (А) и отведите его в сторону от свечи зажигания (Рис. 7).
2. Двигатель оборудован нижним сливным отверстием (В, Рис. 8). Слейте масло в соответствующую емкость.
3. После того, как масло будет слито, установите и затяните пробку отверстия слива масла.

### Замените масляный фильтр (если установлен)

Некоторые модели оборудованы масляным фильтром. Для интервалов замены обратитесь к таблице **Обслуживание**.

1. Слейте масло из двигателя. См. раздел **Слив масла**.
2. Снимите масляный фильтр (С) и утилизируйте соответствующим образом. См. Рис. 9.
3. Перед установкой нового масляного фильтра немного смажьте прокладку масляного фильтра свежим чистым маслом.
4. Установите масляный фильтр, затянув его рукой так, чтобы прокладка фильтра соприкасалась с адаптером масляного фильтра и затем затяните фильтр еще на 1/2 или 3/4 оборота.
5. Долейте масло. См. раздел **Доливка масла**.
6. Запустите двигатель и дайте ему поработать. По мере прогрева двигателя проверьте на отсутствие утечек.
7. Остановите двигатель и проверьте уровень масла. Он должен соответствовать верхней части индикатора заполнения (F) на щупе (Рис. 10).

## Добавить масло

- Установите двигатель в горизонтальное положение.
  - Очистите зону маслосливного отверстия от любого мусора.
  - Смотрите раздел **Технические характеристики** относительно количества масла.
1. Вытащите щуп для измерения уровня масла (D) и оботрите его чистой тряпочкой (Рис. 10).
  2. Медленно заливайте масло через маслосливную горловину (E). **Не переполняйте.** После доливки масла подождите одну минуту и затем проверьте уровень масла.
  3. Вставьте и затяните щуп для измерения уровня масла.
  4. Извлеките щуп и проверьте уровень масла. Он должен соответствовать верхней части индикатора заполнения (F) на щупе.
  5. Вставьте и затяните щуп для измерения уровня масла.

## Как выполнить техническое обслуживание воздушного фильтра - Рис. 11



### ПРЕДУПРЕЖДЕНИЕ



**Топливо и его пары чрезвычайно огнеопасны и взрывоопасны. Воспламенение или взрыв могут привести к сильным ожогам или смертельному исходу.**

- Никогда не запускайте и не эксплуатируйте двигатель без установленного узла воздухоочистителя (если установлен) или воздушного фильтра (если установлен).

**ВНИМАНИЕ:** Не используйте сжатый воздух или растворители для чистки фильтра. Сжатый воздух может повредить фильтр, а растворители могут его растворить.

Требования к обслуживанию смотрите в **Таблице технического обслуживания.**

1. Откройте фиксаторы (A) и снимите крышку (B). См. Рис. 11.
2. Скрутите гайку (D) и снимите держатель (E).
3. Снимите воздушный фильтр (F).
4. Извлеките из воздушного фильтра предварительный очиститель (G), если таковой имеется.
5. Для удаления сора осторожно постучите воздушным фильтром по твердой поверхности. Если воздушный фильтр очень сильно загрязнен, то замените его на новый.
6. Вымойте предварительный очиститель в воде с жидким моющим средством. Затем полностью просушите его на открытом воздухе. **Не допускается** смазывать маслом предварительный очиститель.
7. Установите просушенный предварительный очиститель в воздушный фильтр.
8. Установите на место воздушный фильтр и закрепите его держателем и гайкой.
9. Установите и зафиксируйте крышку.

## Как заменить топливный фильтр - Рис. 12



### ПРЕДУПРЕЖДЕНИЕ



**Топливо и его пары чрезвычайно огнеопасны и взрывоопасны. Воспламенение или взрыв могут привести к сильным ожогам или смертельному исходу.**

- Храните топливо вдали от искр, открытого пламени, горелок, нагревательных приборов и прочих источников воспламенения.
- Регулярно проверяйте топливopровод, бак, пробку и фитинги на наличие трещин и утечек. При необходимости, заменяйте детали.
- Перед заменой топливного фильтра, слейте топливо из топливного бака или закройте кран подачи топлива.
- Запасные части должны быть идентичными и устанавливаться на то же самое место, что и первоначальные детали.
- В случае пролива топлива, дождитесь его полного испарения, прежде чем запустить двигатель.

1. Перед заменой топливного фильтра (A, Рис. 12), если он установлен, слейте топливо из топливного бака или закройте кран подачи топлива. В противном случае топливо может вылиться и привести к пожару или взрыву.

2. Используйте плоскогубцы для сжатия выступов (B) на хомутах (C), затем сдвиньте хомуты в сторону от топливного фильтра. Скрутите и стяните топливные патрубки (D) с топливного фильтра.
3. Проверьте топливные линии и убедитесь в отсутствии трещин или утечек. При необходимости, замените.
4. Замените топливный фильтр на оригинальный запасной фильтр.
5. Закрепите топливные линии при помощи хомутов, как показано на рисунке.

## Как выполнить очистку системы воздушного охлаждения - Рис. 13



### ПРЕДУПРЕЖДЕНИЕ



**Во время работы двигателя выделяют тепло. Детали двигателя, в особенности глушитель, становятся очень горячими.**

**Прикосновение к ним может привести к сильным ожогам.**



**Воспламеняемый мусор, например листья, трава, хворост и т.п., могут загореться.**

- Дайте глушителю, цилиндру и ребрам цилиндра остыть, прежде чем дотрагиваться до них.
- Очистите зону вокруг глушителя и цилиндра от скопившегося воспламеняемого мусора.

**ВНИМАНИЕ:** Не допускается использовать воду для очистки двигателя. Вода может попасть в топливную систему. Используйте щетку или сухую тряпку для очистки двигателя.

Этот двигатель имеет воздушную систему охлаждения. Грязь или сор может воспрепятствовать потоку воздуха и стать причиной перегрева двигателя, что приведет к ухудшению рабочих характеристик и сокращению срока службы двигателя.

Используйте щетку или сухую тряпку для удаления сора в зоне устройства защиты пальцев (A). Очистите сцепление, пружины и органы управления (B). Очистите участок вокруг и сзади глушителя (C) от любого горячего мусора (Рис. 13). Убедитесь, что на пластинах масляного радиатора (D) нет грязи и мусора.

## Хранение



### ПРЕДУПРЕЖДЕНИЕ



**Топливо и его пары чрезвычайно огнеопасны и взрывоопасны. Воспламенение или взрыв могут привести к сильным ожогам или смертельному исходу.**

**При хранении топлива или оборудования с топливом в баке**

- Храните оборудование на расстоянии от котлов, печей, водонагревателей и прочих приборов, в которых используются горелки или иные источники воспламенения, поскольку они могут воспламенить пары топлива.

## Топливная система

При хранении более 30 дней топливо может выдохнуться. Старое топливо приводит к образованиям отложений кислоты и смолы в топливной системе или на основных деталях карбюратора. Для поддержания топлива в свежем состоянии, используйте **стабилизатор/модификатор топлива усовершенствованного состава от фирмы Briggs & Stratton**, имеющийся в местах, где продаются оригинальные детали для обслуживания от фирмы Briggs & Stratton.

Если стабилизатор топлива был добавлен в соответствии с инструкциями, то нет необходимости в сливе топлива. Запустите двигатель на 2 минуты для циркуляции стабилизатора в топливной системе до начала хранения.

Если бензин не был обработан с помощью стабилизатора топлива, то бензин должен быть слит из двигателя в подходящую канистру. Дайте двигателю поработать, пока он не остановится из-за отсутствия топлива. Рекомендуется использование стабилизатора топлива в канистре для хранения с целью сохранения его свежести.

## Моторное масло

Заменяйте моторное масло, когда двигатель еще теплый.

## Устранение неисправностей

Вам требуется помощь? Посетите Web-сайт: [VanguardEngines.com](http://VanguardEngines.com) или позвоните по телефону: **1-800-999-9333** (в США).

## Технические данные

Технические данные по двигателю	
Модель	290000
Рабочий объем	29,23 куб. дюймы (479 куб. см)
Диаметр цилиндра	2,677 дюймы (68 мм)
Ход поршня	2,598 дюймы (66 мм)
Количество масла	46 - 48 унций (1,36 - 1,42 л)

Технические данные по двигателю	
Модель	300000
Рабочий объем	29,23 куб. дюймы (479 куб. см)
Диаметр цилиндра	2,677 дюймы (68 мм)
Ход поршня	2,598 дюймы (66 мм)
Количество масла	46 - 48 унций (1,36 - 1,42 л)

Технические данные по двигателю	
Модель	350000
Рабочий объем	34,78 куб. дюймы (570 куб. см)
Диаметр цилиндра	2,835 дюймы (72 мм)
Ход поршня	2,756 дюймы (70 мм)
Количество масла	46 - 48 унций (1,36 - 1,42 л)

Технические данные по двигателю	
Модель	380000
Рабочий объем	38,26 куб. дюймы (627 куб. см)
Диаметр цилиндра	2,972 дюймы (75,5 мм)
Ход поршня	2,756 дюймы (70 мм)
Количество масла	46 - 48 унций (1,36 - 1,42 л)

Технические данные для регулировки *	
Модель	290000, 300000
Зазор свечи зажигания	0,030 дюймы (0,76 мм)
Момент затяжки для свечи зажигания	180 дюймов/фунт (20 Нм)
Воздушный зазор катушки	0,008 - 0,012 дюймы (0,20 - 0,30 мм)
Зазор впускного клапана	0,004 - 0,006 дюймы (0,10 - 0,15 мм)
Зазор выпускного клапана	0,004 - 0,006 дюймы (0,10 - 0,15 мм)

Технические данные для регулировки *	
Модель	350000, 380000
Зазор свечи зажигания	0,030 дюймы (0,76 мм)
Момент затяжки для свечи зажигания	180 дюймов/фунт (20 Нм)
Воздушный зазор катушки	0,008 - 0,012 дюймы (0,20 - 0,30 мм)
Зазор впускного клапана	0,004 - 0,006 дюймы (0,10 - 0,15 мм)
Зазор выпускного клапана	0,004 - 0,006 дюймы (0,10 - 0,15 мм)

\* Мощность двигателя будет уменьшаться на 3,5 % для каждых 1000 футов (300 метров) над уровнем моря и на 1% для каждых 10° F (5,6° C) свыше 77° F (25° C). Двигатель будет работать удовлетворительно с углом наклона до 15°. Смотрите руководство оператора оборудования по безопасным допускам для работы на склонах.

### Типовые запасные части ✓

Запасная часть	Номер изделия
Воздушный фильтр — за исключением модели: 358700, 380000	394018
Воздушный фильтр — модель: 358700, 380000	692519
Воздушный фильтр предварительной очистки — за исключением модели: 358700, 380000	272490
Воздушный фильтр предварительной очистки — модель: 358700, 380000	692520
Масло — SAE 30	100028
Масляный фильтр — длина 6 см	492932
Масляный фильтр — длина 9 см	491056

Запасная часть	Номер изделия
Топливный фильтр — с топливным баком	808116
Топливный фильтр — с топливным насосом	691035
Топливный фильтр — без топливного насоса	298090
Стабилизатор/модификатор топлива усовершенствованного состава	100117, 100120
Резисторная свеча зажигания	491055
Платиновая свеча зажигания с повышенным сроком службы	5066
Ключ для свечи зажигания	19374
Тестер зажигания	19368

✓ Мы рекомендуем обращаться к любому уполномоченному сервисному дилеру компании Briggs & Stratton для выполнения всех работ по техническому обслуживанию двигателя и его компонентов.



### ОГРАНИЧЕННАЯ ГАРАНТИЯ

Компания Briggs & Stratton гарантирует, что во время указанного ниже гарантийного периода, выполнит бесплатный ремонт или замену любой детали, которая окажется неисправной из-за дефекта материала или изготовления, или того и другого. Транспортные расходы, связанные с доставкой изделия для его ремонта или замены по настоящей гарантии, должны быть оплачены покупателем. Настоящая гарантия действительна для сроков и условий, которые указаны ниже. Для проведения гарантийного обслуживания обратитесь к ближайшему к Вам уполномоченному сервисному дилеру, указанному на нашей карте дилеров на Web-сайте: BRIGGSandSTRATTON.com. Покупатель должен обратиться к уполномоченному сервисному дилеру, а затем предоставить ему изделие для осмотра и проверки.

**Никаких иных открыто заявленных гарантий не существует. Подразумеваемые гарантии, включая гарантии пригодности для торговли и соответствия конкретным применениям, ограничены указанным ниже гарантийным периодом, или в той степени, в которой это разрешено законом.**

**Ответственность за случайный или косвенный ущерб исключается в той степени, в которой это разрешено законом.** Некоторые штаты или государства не разрешают ограничивать период действия подразумеваемой гарантии, а некоторые штаты или государства не разрешают исключать или ограничивать ответственность за случайный или косвенный ущерб. Таким образом, приведенные выше исключения и ограничения, возможно, не будут распространяться на Вас. Данная гарантия дает Вам определенные юридические права. Вы также можете пользоваться иными правами, которые в разных штатах или государствах могут быть различными. \*\*

### СТАНДАРТНЫЕ УСЛОВИЯ ГАРАНТИИ \* ▲

Торговая марка/Тип изделия	Личное использование	Коммерческое использование
Vanguard™ ■	3 года	3 года
Коммерческая серия для газона™	2 года	2 года
Двигатели, имеющие чугунную втулку Dura-Bore™	2 года	1 год
Все другие двигатели, выпускаемые компанией Briggs & Stratton	2 года	90 дней

\* Это наши стандартные условия гарантии, но иногда может существовать дополнительное гарантийное покрытие, которое не было определено на момент данной публикации. Касательно информации по текущим условиям гарантии, пожалуйста, посетите Web-сайт: BRIGGSandSTRATTON.COM или обратитесь к своему уполномоченному сервисному дилеру от компании Briggs & Stratton.

\*\* В Австралии — Наши товары поступают с гарантией, которая не может быть исключена по австралийскому закону в защиту интересов потребителей. Вам предоставляется право на замену и возмещение значительной неисправности и на компенсацию по любым прочим обоснованным ожидаемым убыткам или ущербу. Вам также предоставляется право на ремонт или замену изделия, если изделие не соответствует приемлемому качеству и отказ не связан со значительной неисправностью. Для выполнения гарантийного обслуживания найдите ближайшего уполномоченного сервисного дилера на нашей карте дилеров на Web-сайте: BRIGGSandSTRATTON.COM, или позвоните по телефону: 1300 274 447, или обратитесь по электронной почте: salesenquiries@briggsandstratton.com.au, или отошлите письмо по почтовому адресу: Briggs & Stratton Australia Pty Ltd, 1 Moorebank Avenue, Moorebank, NSW, Australia, 2170.

▲ Гарантия отсутствует для двигателей на оборудовании, используемом в качестве первичного источника энергии на месте эксплуатации или для бытовых резервных генераторов, используемых для коммерческих целей. Гарантия не предоставляется на двигатели, которые используются в соревновательных целях, или на коммерческих или арендуемых транспортных средствах.

■ Двигатели «Vanguard», установленные на генераторах резервного электроснабжения: 2-годовая потребительская гарантия, без гарантии на коммерческое использование. Двигатели «Vanguard», установленные на автотранспортных средствах общего назначения: 2-годовая потребительская гарантия и 2-годовая гарантия на коммерческое использование. Двигатель «Vanguard» трехцилиндровый с жидким охлаждением: смотрите гарантийное условие для владельца двигателя 3/LC от компании Briggs & Stratton.

Гарантийный период начинается с момента покупки первым розничным покупателем или конечным коммерческим пользователем и продолжается в течение периода времени, указанного в приведенной выше таблице. "Личное использование" означает персональное бытовое использование розничным покупателем. "Коммерческое использование" означает все прочие виды использования, включая использование в коммерческих целях, для аренды или получения прибыли. Если двигатель побывал в коммерческом использовании, то после этого для настоящей гарантии он считается двигателем коммерческого использования.

**Сохраните товарный чек, подтверждающий Вашу покупку. Если при запросе на гарантийное обслуживание Вы не подтвердите документально дату первой покупки, то для определения гарантийного периода будет использована дата изготовления изделия. Регистрация изделия не требуется для получения гарантийного обслуживания изделий от компании Briggs & Stratton.**

### В отношении Вашей гарантии

Настоящая ограниченная гарантия по двигателю относится только к дефектам материала и/или изготовления, но не к замене или возмещению стоимости оборудования, на котором они могут устанавливаться. Регулярное техническое обслуживание, наладки, регулировки или нормальный износ не покрываются настоящей гарантией. Гарантия также аннулируется, если был искажен или удален серийный номер двигателя, или если двигатель был видоизменен или модифицирован. Настоящая гарантия исключает бывшие в эксплуатации, восстановленные, полученные не из первых рук и демонстрационные двигатели или оборудование. Настоящая гарантия не распространяется на повреждение двигателя или проблемы при эксплуатации, которые вызваны следующими причинами:

- 1 Использование деталей, которые не являются оригинальными деталями от компании Briggs & Stratton;
- 2 Эксплуатация двигателя с недостаточным количеством смазочного масла, с загрязненным смазочным маслом, а также в случае использования масла несоответствующей марки;
- 3 Использование загрязненного или несвежего бензина, бензин с содержанием более 10% этанола, или использование альтернативных видов топлива, например, сжиженного газа или природного газа на двигателях, которые не были изначально сконструированы / изготовлены компанией Briggs & Stratton для работы с такими видами топлива;

- 4 Грязь, которая попала в двигатель вследствие ненадлежащего технического обслуживания воздушного фильтра или его неправильной повторной сборки;
- 5 Столкновение лезвия ротационной газонокосилки с твердым предметом, прослабленные или установленные ненадлежащим образом переходники лезвий, крыльчатки, или другие соединенные с коленчатым валом устройства, или чрезмерное натяжение клиновидного ремня;
- 6 Присоединяемые детали или узлы, как например, муфты сцепления, трансмиссии, устройства управления оборудованием и т.п., которые не поставляются компанией Briggs & Stratton;
- 7 Перегрев, вызванный обрезками травы, грязью или сором, гнездами грызунов, которые блокируют или забивают ребра охлаждения или зону маховика, или работой двигателя без достаточной вентиляции;
- 8 Чрезмерная вибрация, вызванная превышением скорости работы, ослабленным креплением двигателя, ослабленным креплением или неправильной балансировкой лезвий или крыльчаток, или ненадлежащим присоединением компонентов оборудования к коленчатому валу;
- 9 Неправильное использование, отсутствие планового технического обслуживания, ненадлежащая транспортировка или хранение оборудования на складе, или неправильный монтаж двигателя.

**Гарантийное обслуживание доступно только через уполномоченных сервисных дилеров компании Briggs & Stratton. Определите ближайшего к Вам уполномоченного сервисного дилера на нашей карте дилеров в Интернете: BRIGGSandSTRATTON.COM, или по телефону 1-800-233-3723 (в США).**

## Všeobecné informácie

Tento návod obsahuje bezpečnostné informácie, ktoré vás oboznámia s hazardmi a rizikami spojenými s motormi a ich predchádzaním. Taktiež obsahuje pokyny na správne používanie a ošetrovanie motora. Pretože Briggs & Stratton Corporation nemusí nevyhnutne vedieť, aké zariadenie bude poháňané týmto motorom, je dôležité, aby ste si prečítali a pochopili tieto pokyny a pokyny pre poháňané zariadenie. **Tieto pôvodné pokyny si uložte pre neskoršie nahliadnutie.**

Pri výmene dielov, alebo pri technickej pomoci si zaznamenajte model motora, typ a kódové čísla spolu s dátumom zakúpenia. Tieto čísla sa nachádzajú na motore (pozrite si stranu **Vlastností a ovládacie prvky**).

**Dátum zakúpenia:** \_\_\_\_\_  
MM/DD/YYYY (mesiac/deň/rok)

**Model motora:** \_\_\_\_\_  
Model: Typ: Kódové označenie:

**Menovité výkony:** Celkový menovitý výkon jednotlivých modelov benzínových motorov je uvádzaný v súlade s požiadavkami normy SAE (Spoločnosť odborníkov automobilového priemyslu) J1940 Postup stanovenia výkonu a krútiaceho momentu malého motora a je určený podľa SAE J1995. Hodnoty krútiaceho momentu sú stanovené pri 2600 ot./min. pre motory s „ot./min.“ uvedenými na štítku a pri 3060 ot./min. pre všetky ostatné motory; hodnoty výkonu sú stanovené pri 3600 ot./min. Krivky celkového výkonu si môžete pozrieť na stránke [www.BRIGGSandSTRATTON.COM](http://www.BRIGGSandSTRATTON.COM). Hodnoty užitočného výkonu sú stanovené pri namontovanom výfuku a vloženom vzduchovom filtri, zatiaľ čo hodnoty celkového výkonu sú stanovené bez tohto vybavenia. Skutočný celkový výkon motora bude vyšší než užitočný výkon a bude ovplyvnený, okrem iného, podmienkami prostredia v ktorom pracuje a rozdielmi medzi jednotlivými motormi. Kvôli širokému sortimentu výrobkov, na ktorých sú naše motory namontované sa môže stať, že benzínový motor nedodá celkový menovitý výkon pri používaní v danej elektrocentrále. Tento rozdiel je spôsobený rôznymi faktormi, okrem iného, dielmi motora (vzduchový filter, výfuk, plnenie valca, chladenie, karburátor, palivové čerpadlo, atď.), obmedzeniami použitia, prevádzkovými podmienkami okolitého prostredia (teplota, vlhkosť, nadmorská výška) a rozdielmi medzi jednotlivými motormi. Kvôli výrobným a kapacitným obmedzeniam, Briggs & Stratton môže tento motor nahradiť motorom s vyšším menovitým výkonom.

## Bezpečnosť

### SYMBOLY BEZPEČNOSTI A OVLÁDANIA



Symbol upozorňujúci na nebezpečie sa používa na označenie informácií o bezpečnostných rizikách, ktoré môžu mať za následok úraz. Slovné návěstie (NEBEZPEČIE, VAROVANIE, alebo UPOZORNENIE) sa používa so symbolom upozorňujúcim na nebezpečie na označenie pravdepodobnosti vzniku a možného ťažkého úrazu. Okrem toho sa môže symbol nebezpečenstva použiť na označenie typu nebezpečenstva.

**NEBEZPEČIE** označuje nebezpečenstvo, ktoré ak sa mu nevyhnete, **bude mať za následok smrteľný, alebo vážny úraz.**

**VAROVANIE** označuje nebezpečenstvo, ktoré ak sa mu nevyhnete, **môže mať za následok smrteľný, alebo vážny úraz.**

**UPOZORNENIE** označuje nebezpečenstvo, ktoré ak sa mu nevyhnete, **by mohlo mať za následok menší, alebo stredne veľký úraz.**

**POZNÁMKA** označuje situáciu, ktorá by mohla viesť k poškodeniu výrobku.

**VAROVANIE**  
Určité zložky v tomto výrobku a v príslušenstve, ktoré s ním súvisí, obsahujú chemikálie, ktoré sú v štáte Kalifornia známe tým, že spôsobujú rakovinu, vrodené defekty, alebo iné reprodukčné poškodenie. Po manipulácii si umyte ruky.

**VAROVANIE**  
Výfukové plyny z tohto výrobku obsahujú chemikálie, ktoré sú v Kalifornii známe tým, že spôsobujú rakovinu, vrodené vady, alebo iné reprodukčné poškodenie.

**VAROVANIE**  
Motory Briggs & Stratton nie sú skonštruované a nemajú byť používané na pohon: motokár fun-kart a go-kart; detských, rekreačných, alebo športových štvorkolek (ATV); motocyklov; vznášadiel; leteckých výrobkov; alebo vozidiel používaných v súťažiach, ktoré nie sú schválené spoločnosťou Briggs & Stratton. Informácie o výrobkoch určených pre súťažné závody nájdete na stránke [www.briggsracing.com](http://www.briggsracing.com). Pokiaľ ide o použitie na úžitkových a dvojmiestnych štvorkolkách, obráťte sa na Briggs & Stratton Engine Application Center, 1-866-927-3349 (stredisko pre používanie motorov Briggs & Stratton). Nevhodné použitie motora môže spôsobiť vážny, alebo smrteľný úraz.

**POZNÁMKA:** Tento motor bol dodaný od Briggs & Stratton bez oleja. Pred tým ako naštartujete motor nezabudnite naplniť olej podľa pokynov v tomto návode. Ak naštartujete motor bez oleja, tak sa neopraviteľne poškodí a nebude krytý zárukou.



## VAROVANIE



Palivo a jeho pary sú veľmi horľavé a výbušné.  
Požiar, alebo výbuch môže spôsobiť vážne popáleniny, alebo smrť.

### Pri prilievaní paliva

- Vypnite motor a nechajte hovychladnúť aspoň 2 minúty, než vyskrutkujete uzáver palivovej nádrže.
- Palivovú nádrž doplňajte v otvorenom priestore, alebo v dobre vetranom priestore.
- Nepreplňajte palivovú nádrž. Aby zostal voľný priestor pre tepelnú expanziu paliva, nedoplňajte palivo nad spodok plniaceho hrdla palivovej nádrže.
- Palivo chráňte pred iskrami, otvorenými plameňmi, zapalovacími plamienkami, teplom a inými zápalnými zdrojmi.
- Často kontrolujte palivové rúrky, nádrž, uzáver nádrže a spojky, či nie sú prasknuté, alebo či netečú. V prípade potreby ich vymeňte.
- Ak sa palivo rozleje, počkajte kým sa vyparí a až potom štartujte motor.

### Pri štartovaní motora

- Uistite sa, že zapalovacia sviečka, tlmíč výfuku, uzáver palivovej nádrže a vzduchový filter, (ak je ním motor vybavený), sú namontované na svojom mieste a zaistené.
- Motor neštartujte pri vyskrutkovanej zapalovacej sviečke.
- Ak sa motor prehlť benzínom, tak nastavte sýtič (ak je ním motor vybavený) do polohy OPEN (OTVORENÝ)/RUN (BEH), plyn (ak je na motore) dajte do polohy FAST (VYSOKÉ OTÁČKY) a štartujte motor, kým sa nenaštartuje.

### Pri používaní zariadenia

- Nenakláňajte motor, alebo zariadenie pod uhlom, pri ktorom môže dôjsť k rozliatiu paliva.
- Nezastavujte motor škrténím karburátora.
- Nikdy neštartujte, ani nenechajte bežať motor s odmontovaným vzduchovým filtrom (ak je ním motor vybavený), alebo vybratou filtračnou vložkou, (ak ju motor má).

### Keď sa mení olej

- Ak vypúšťate olej cez hornú rúrku pre nalievanie oleja, tak palivová nádrž musí byť prázdna, ináč môže uniknúť palivo a môže nastať požiar, alebo výbuch.

### Pri nakláňaní stroja pri údržbe

- Keď robíte údržbu, ktorá si vyžaduje naklonenie stroja, musí byť palivová nádrž prázdna, ináč môže palivo vytečť a spôsobiť požiar, alebo výbuch.

### Pri prenášaní zariadenia

- Prenášajte s PRÁZDNOU palivovou nádržou, alebo s UZATVORENÝM palivovým ventilom.

### Pri skladovaní paliva, alebo zariadenia s motorom, ktorý má v nádrži palivo

- Uložte ďaleko od kotlov, pecí, ohrievačov vody, alebo iných spotrebičov, ktoré majú zapalovací plamienok, alebo iný zápalný zdroj, pretože môžu spôsobiť zapálenie výparov paliva.



## VAROVANIE



Pri štartovaní motora vznikajú iskry.  
Iskry môžu zapáliť blízke horľavé plyny.  
Môže nastať výbuch, alebo požiar.

- Ak v priestore došlo k úniku zemného plynu, alebo propán - butánu, tak motor neštartujte.
- Nepoužívajte tlakové štartovacie kvapaliny, pretože výpary sú horľavé.



## VAROVANIE



Pri behu motora vzniká teplo. Časti motora, hlavne tlmíč výfuku, sa veľmi zahrejú.  
Dotyk s nimi môže spôsobiť ťažké popáleniny.  
Môže sa zapáliť horľavý odpad, ako sú listy, tráva, chrastie, atď.

- Skôr ako sa ich dotknete, nechajte tlmíč výfuku, valec motora a rebrá vychladnúť.
- Z priestoru tlmíča výfuku a valca odstráňte nahromadené nečistoty.
- Je porušením Kalifornského zákonníka o verejných zdrojoch, Časť 4442, používať motor na akejkoľvek zalesnenej, zatravnenej ploche, alebo ploche pokrytej kríkmi, ak nie je výfukový systém vybavený zachytávačom iskier, ako je to zadané v Časti 4442 a ak nie je udržiavaný v efektívnom pracovnom stave. Iné štáty, alebo federálna jurisdikcia môže mať podobné zákony. Keď chcete získať zachytávač iskier, ktorý bol navrhnutý pre výfukový systém pre tento motor, skontaktujte sa s výrobcom originálneho zariadenia, s obchodníkom, alebo s predajcom.



## VAROVANIE



**RIZIKO OTRAVY JEDOVATÝM PLYNOM.** Výfukový plyn z motora obsahuje kyslíčnik uhoľnatý, jedovatý plyn, ktorý by vás mohol zabíť počas niekoľkých minút. Je neviditeľný, nemá zápach, ani chuť. Aj keď necítite čuchom prítomnosť výfukového plynu, môžete vdychovať kyslíčnik uhoľnatý. Ak sa vám chce zvracať, cítite závrat, alebo slabosť počas používania tohto stroja, tak ho vypnite a **IHNEĎ vyjdite na čerstvý vzduch.** Vyhľadajte pomoc lekára. Môžete mať otravu kyslíčnikom uhoľnatým.

- Tento stroj používajte IBA vonku, ďaleko od okien, dverí a vetracích otvorov, aby sa znížilo riziko nahromadenia kyslíčnika uhoľnatého a jeho vniknutia do obývaných priestorov.
- Namontujte batériu napájané signalizátory prítomnosti kyslíčnika uhoľnatého, alebo signalizátory napájané zo striedavej siete, vybavené záložnou batériou, podľa pokynov výrobcov signalizátorov. Dymové signalizátory nesignalizujú prítomnosť kyslíčnika uhoľnatého.
- Tento stroj **NEPOUŽÍVAJTE** v domoch, garážach, pivniciach, pôjdach, kôlnach, alebo iných čiastočne uzatvorených priestoroch, aj pri zapnutých ventilátoroch, alebo otvorených dverách a oknách kvôli vetraniu. Kyslíčnik uhoľnatý sa môže ľahko nahromadiť v týchto priestoroch a môže tam vydržať hodiny, aj po vypnutí motora.
- Tento stroj **VŽDY** umiestňujte po vetre a výfuk motora smerujte mimo obývaných priestorov.



## VAROVANIE



Rýchle vtiahnutie štartovacej šnúry (spätný náraz) potiahne ruku a rameno k motoru rýchlejšie ako ju dokázate pustiť.

**Môže to mať za následok zlomenie kostí, vznik modrín, alebo vykĺbenie.**

- Pri štartovaní motora pomaly ťahajte štartovaciu šnúru kým neucítite odpor a potom prudko trhnite, aby ste prekonali spätý náraz.
- Pred štartovaním motora odpojte všetky externé zariadenia/zátáže motora.
- Priamo pripojené diely zariadení, ako napríklad, ale nie obmedzené na čepole, obežné kolesá, kladky, ozubené hnacie kolesá, atď., musia byť bezpečne pripojené.



## VAROVANIE



Rotujúce časti sa môžu dotknúť, alebo zachytiť ruky, nohy, vlasy, odev, alebo doplnky.

**Môže dôjsť k traumatickej amputácii, alebo vážnemu tržnému poraneniu.**

- Zariadenie prevádzkujte s nasadenými krytmi.
- Ruky a nohy nepribližujte k rotujúcim častiam.
- Dlhé vlasy si zviažte a zložte bižutériu.
- Nenoste voľné odevy, visiace sťahovacie šnúry, alebo predmety, ktoré môžu byť zachytené.



## VAROVANIE



Náhodné iskrenie môže spôsobiť požiar, alebo elektrický šok.

**Neúmyselné naštartovanie môže spôsobiť zachytenie, traumatickú amputáciu, alebo tržné poranenie.**

**Nebezpečie požiaru**

### Pred nastavovaním, alebo opravami:

- Odpojte zapalovací kábel od zapalovacej sviečky a dajte ho preč od zapalovacej sviečky.
- Odpojte prívod od zápornej svorky akumulátora (iba u motorov s elektrickým štartovaním).
- Používajte iba správne nástroje.
- Nezvyšujte otáčky motora úpravou pružiny regulátora, spojok, alebo iných dielov.
- Náhradné diely musia mať rovnakú konštrukciu a musia byť namontované na rovnaké miesta ako pôvodné diely. Iné diely nemusia fungovať tak dobre, môžu poškodiť zariadenie a môžu spôsobiť úraz.
- Neudierajte do zotrvačnika kladivom, alebo tvrdým predmetom, pretože počas behu motora sa môže rozletieť na kusy.

### Pri skúšaní iskry:

- Používajte schválenú skúšačku zapalovacej sviečky.
- Iskru neskúšajte pri vyskrutkovanej zapalovacej sviečke.

# Vlastnosti a ovládacie prvky

Porovnajte obrázok **1** so svojim motorom, aby ste sa oboznámili z umiestnením rôznych znakov a ovládacích prvkov.

- A. Označenie motora  
**Model Typ Kódové označenie**
- B. Zapaľovacia sviečka
- C. Vzduchový filter
- D. Mierka/oleja
- E. Olejový filter (doplňkový)
- F. Skrutka pre vypustenie oleja
- G. Snímač tlaku oleja
- H. Ochrana prstov
- I. Elektrický štartér
- J. Ručný štartér (doplňkový)
- K. Karburátor
- L. Výfukové potrubie
- M. Palivová pumpa
- N. Palivový filter (doplňkový)
- O. Chladič oleja (doplňkový)
- P. Tlmič výfuku (doplňkový)

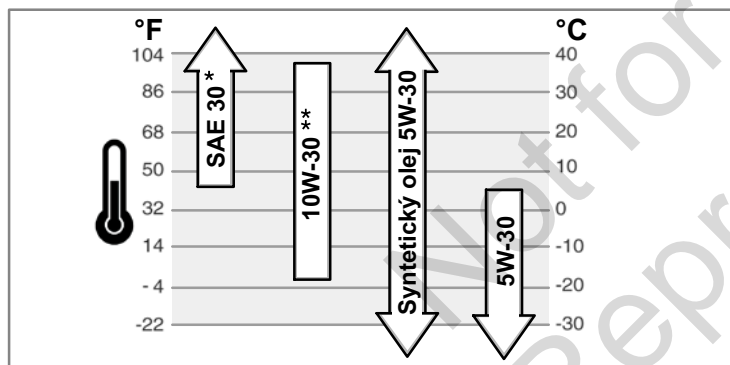
## Používanie

Obsah oleja (pozrite si časť **Technické parametre**)

### Doporučenia týkajúce sa oleja

Kvôli dosiahnutiu najvyššej výkonnosti motora odporúčame používať oleje Briggs & Stratton so záručným certifikátom. Prípustné sú aj iné vysoko kvalitné detergentné oleje, ak majú klasifikáciu pre prevádzku SF, SG, SH, SJ, alebo vyššiu. Nepoužívajte špeciálne prísady.

Správna viskozita motorového oleja je daná teplotou pracovného prostredia. Z tabuľky si podľa očakávaného rozsahu teplôt pracovného prostredia vyberte najvhodnejšiu viskozitu.



\* Pri použití oleja SAE 30 pri teplote pod 4°C bude štartovanie ťažké.

\*\* Pri použití oleja 10W-30 pri teplote nad 27°C môže dôjsť k zvýšeniu spotreby oleja. Hladinu oleja kontrolujte častejšie.

### Ako skontrolovať/doplniť olej - Obrázku **2**

Pred dopĺňaním, alebo kontrolou oleja

- Motor dajte do vodorovnej polohy.
- Odstráňte všetky nečistoty z okolia otvoru pre plnenie oleja.
- 1. Vytiahnite mierku (A) a utrite ju čistou handrou (Obrázku 2).
- 2. Úplne zasuňte mierku.
- 3. Vytiahnite olejovú mierku a skontrolujte hladinu oleja. Hladina oleja by mala byť na hornej hranici indikátora maximálnej hladiny (B) na olejovej mierke.
- 4. Ak je oleja málo, tak do otvoru pre plnenie oleja pomaly dolejte olej (C). **Nepreplňte.** Po naliatí oleja počkajte jednu minútu a potom znovu skontrolujte hladinu oleja.
- 5. Úplne zasuňte mierku.

### Systém ochrany proti nedostatku oleja (ak je vo výbave)

Niektoré motory sú vybavené snímačom nedostatku (nízkej hladiny) oleja. Ak je málo oleja, tak snímač rozsvieti kontrolku, alebo vypne motor. Vypnite motor a pred jeho naštartovaním vykonajte tieto kroky.

- Uistite sa, že motor je vo vodorovnej polohe.
- Skontrolujte hladinu oleja. Pozrite si časť **Ako kontrolovať/doplniť olej**.
- Ak je málo oleja, tak ho prilejte správne množstvo. Naštartujte motor a uistite sa, že nesvieti výstražná kontrolka (ak je vo výbave).
- Ak nie je málo oleja, **neštartujte** motor. Spojte sa s autorizovaným zástupcom Briggs & Stratton a nechajte si odstrániť problém s olejom.

### Doporučenia týkajúce sa paliva

Palivo musí vyhovovať týmto požiadavkám:

- Čistý, čerstvý, bezolovnatý benzín.
- Minimálne 87 oktánový/87 AKI (91 RON). Použitie vo vysokých nadmorských výškach je popísané ďalej.
- Je možné použiť benzín, obsahujúci maximálne 10% pridaného etanolu (gasohol).

**UPOZORNENIE:** Nepoužívajte neschválené benzíny, ako napríklad E15 a E85.

Neprikladajte olej do benzínu, ani neupravujte motor pre použitie alternatívnych palív. Používanie neschválených palív spôsobí poškodenie dielov motora, na ktoré neplatí záruka.

Na ochranu palivového systému pred usadzovaním živých usadenín, prímiešavajte do paliva stabilizátor paliva. Pozrite si **Skladovanie**. Všetky palivá nie sú rovnaké. Ak sa objavia problémy so štartovaním, alebo výkonnosťou, tak zmeňte predajcu paliva, alebo značku. Tento motor je certifikovaný pre používanie benzínu. Tento motor používa systém EM (Engine Modifications - úpravy motora) obmedzovania emisií vo výfukových plynoch.

### Vysoká nadmorská výška

V nadmorských výškach nad 1524 m je prípustný benzín s oktánovým číslom minimálne 85/85 AKI (89 RON).

Pri motoroch vybavených karburátorom je potrebné, kvôli dodržaniu emisných limitov, vykonať úpravu nastavenia karburátora pre vyššiu nadmorskú výšku. Bez tohto nastavenia dôjde počas prevádzky k zníženiu výkonu, zvýšeniu spotreby paliva a zvýšeniu množstva emisií. Informácie o úprave motora pre vysoké nadmorské výšky získate u autorizovaného zástupcu Briggs & Stratton. Motor nastavený pre vyššie nadmorské výšky neodporúčame používať v nadmorských výškach pod 762 m.

Na motoroch s elektronickým vstrekovaním paliva (EFI), nie je potrebné robiť nastavenie podľa nadmorskej výšky.

### Ako doplniť palivo - Obrázku **3**



#### VAROVANIE



Palivo a jeho pary sú veľmi horľavé a výbušné.



Požiar, alebo výbuch môže spôsobiť vážne popálenia, alebo usmrtenie.

#### Pri prilievaní paliva

- Vypnite motor a nechajte hovychladnúť aspoň 2 minúty, než vyskrutkujete uzáver palivovej nádrže.
- Palivovú nádrž dopĺňajte v otvorenom priestore, alebo v dobre vetranom priestore.
- Nepreplňajte palivovú nádrž. Aby zostal voľný priestor pre tepelnú expanziu paliva, nedoplňajte palivo nad spodok plniaceho hrdla palivovej nádrže.
- Palivo chráňte pred iskrami, otvorenými plameňmi, zapaľovacími plamienkami, teplom a inými zápalnými zdrojmi.
- Často kontrolujte palivové rúrky, nádrž, uzáver nádrže a spojky, či nie sú prasknuté, alebo či netečú. V prípade potreby ich vymeňte.
- Ak sa palivo rozleje, počkajte kým sa vyparí a až potom štartujte motor.

1. Odstráňte špinu a nečistoty z okolia uzáveru palivovej nádrže. Vyskrutkujte uzáver palivovej nádrže (A, Obrázok 3).
2. Naplňte palivovú nádrž (B) palivom. Aby zostal voľný priestor pre expanziu paliva, nenaplňte nádrž nad spodok hrdla palivovej nádrže (C).
3. Nasadte uzáver palivovej nádrže.

### Ako naštartovať motor - Obrázku **4**



#### VAROVANIE



Rýchle vtiahnutie štartovacej šnúry (spätný náraz) potiahne ruku a rameno k motoru rýchlejšie ako ju dokážete pustiť.

Môže dôjsť k zlomeniu kostí, vzniku modrín, alebo vyklbeniu.

- Pri štartovaní motora pomaly ťahajte štartovaciu šnúru kým neucítite odpor a potom prudko trhnite, aby ste prekonalí spätý náraz.



#### VAROVANIE



Palivo a jeho pary sú veľmi horľavé a výbušné.

Požiar, alebo výbuch môže spôsobiť vážne popálenia, alebo usmrtenie.

#### Pri štartovaní motora

- Uistite sa, že zapaľovacia sviečka, tlmič výfuku, uzáver palivovej nádrže a vzduchový filter, (ak je ním motor vybavený), sú namontované na svojom mieste a zaistené.
- Motor neštartujte pri vyskrutkovanej zapaľovacej sviečke.
- Ak sa motor prehltnú benzínom, tak nastavte sýtič (ak je ním motor vybavený) do polohy OPEN (OTVORENÝ)/RUN (BEH), plyn (ak je na motore) dajte do polohy FAST (VYSOKÉ OTÁČKY) a štartuje motor, kým sa nenaštartuje.



## VAROVANIE



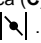


**RIZIKO OTRAVY JEDOVATÝM PLYNOM.** Výfukový plyn z motora obsahuje kyslíčnik uhoľnatý, jedovatý plyn, ktorý by vás mohol zabiť počas niekoľkých minút. Je neviditeľný, nemá zápach, ani chuť. Aj keď necítite čuchom prítomnosť výfukového plynu, môžete vdychovať kyslíčnik uhoľnatý. Ak sa vám chce zvracať, cítite závrat, alebo slabosť počas používania tohto stroja, tak ho vypnite a **IHNED** vyjdite na čerstvý vzduch. Vyhľadajte pomoc lekára. Môžete mať otravu kyslíčnikom uhoľnatým.

- Tento stroj používajte IBA vonku, ďaleko od okien, dverí a vetracích otvorov, aby sa znížilo riziko nahromadenia kyslíčnika uhoľnatého a jeho vniknutia do obývaných priestorov.
- Namontujte batériu napájané signalizátory prítomnosti kyslíčnika uhoľnatého, alebo signalizátory napájané zo striedavej siete, vybavené záložnou batériou, podľa pokynov výrobcov signalizátorov. Dymové signalizátory nesignalizujú prítomnosť kyslíčnika uhoľnatého.
- Tento stroj **NEPOUŽÍVAJTE** v domoch, garážach, pivniciach, pôjdach, kôľňach, alebo iných čiastočne uzatvorených priestoroch, aj pri zapnutých ventilátoroch, alebo otvorených dverách a oknách kvôli vetraniu. Kyslíčnik uhoľnatý sa môže ľahko nahromadiť v týchto priestoroch a môže tam vydržať hodiny, aj po vypnutí motora.
- Tento stroj **VŽDY** umiestňujte po vetre a výfuk motora smerujte mimo obývaných priestorov.

**POZNÁMKA:** Tento motor bol dodaný od Briggs & Stratton bez oleja. Pred štartovaním motora nezabudnite naplniť olej podľa pokynov v tomto návode. Ak naštartujete motor bez oleja, tak sa neopraviteľne poškodí a prestane preň platiť záruka.

*Poznámka:* Niektoré motory a zariadenia, na ktorých sú motory namontované, majú ovládacie prvky pre diaľkové ovládanie. Pozrite si návod k zariadeniu, na ktorom je namontovaný motor, v ktorom je uvedená poloha a používanie týchto prvkov pre diaľkové ovládanie.

- Skontrolujte hladinu oleja. Pozrite si časť **Ako kontrolovať/doplňať olej**.
- Uistite sa, že ovládacie prvky zariadenia, na ktorom je motor namontovaný, ak sú vo výbave, sú vypnuté.
- Otočte uzatvárací ventil paliva (A), ak je na motore, do polohy on (otvorený) (Obrázku 4).
- Prepnite zastavovací prepínač (F), ak je vo výbave motora, do polohy on (zapnutý).
- Páku plynu (B) otočte do polohy  fast (vysoké otáčky). Motor používajte pri páke ovládania plynu nastavenej do polohy  fast (vysoké otáčky).
- Posuňte páčku ovládania sýtiča (C), alebo kombinovanú páčku sýtiča/plynu, do polohy choke (otvorený sýtič) .

*Poznámka:* Sýtič zvyčajne nie je potrebný pri štartovaní teplého motora.

- Štartovanie navijacím štartérom:** Otočte spínací kľúč (D), ak je použitý, do polohy run (beh).
- Štartovanie navijacím štartérom:** Pevne uchopte rukoväť štartovacej šnúry (E). Pomaly ťahajte rukoväť štartovacej šnúry kým neucítite odpor a potom prudko potiahnite.

*Poznámka:* Ak motor nenaštartuje ani po niekoľkých pokusoch o naštartovanie, obráťte sa na svojho dodávateľa, alebo na **VanguardEngines.com** or call **1-800-999-9333** (v USA).



**VAROVANIE:** Rýchle stiahnutie štartovacej šnúry späť (spätný náraz) vám potiahne ruku a rameno smerom k motoru rýchlejšie, než ju stihnete uvoľniť. Môže to mať za následok zlomeninu ruky, modrinu, alebo vyvrtnutie. Pri štartovaní motora pomaly ťahajte štartovaciu šnúru kým neucítite odpor a potom prudko trhnite, aby ste prekonalí spätý náraz.

- Elektrické štartovanie:** Otočte spínač elektrického štartovania (D) do polohy on/start.

*Poznámka:* Ak motor nenaštartuje ani po niekoľkých pokusoch o naštartovanie, obráťte sa na svojho dodávateľa, alebo na **VanguardEngines.com** or call **1-800-999-9333** (v USA).

**POZNÁMKA:** Kvôli predĺženiu životnosti štartéra používajte krátke štartovacie cykly (maximálne päť sekúnd). Medzi štartovacími cyklami počkajte jednu minútu.

- Počas ohrievania motora posúvajte páku ovládania sýtiča (C) do polohy run .

## Ako zastaviť motor - Obrázku 4




## VAROVANIE



**Palivo a jeho pary sú veľmi horľavé a výbušné. Požiar, alebo výbuch môže spôsobiť vážne popálenia, alebo usmrtenie.**

- Nezastavujte motor škrtením karburátora.

- Presuňte páku ovládania plynu (B) do polohy  slow (nízke otáčky), otočte spínací kľúč (D) do polohy off (vypnutý) (Obrázku 4). Vyťahnite kľúč zo spínača a uložte ho na bezpečné miesto, mimo dosah detí. Páku plynu (B).

- Prepnite zastavovací prepínač (F), ak je vo výbave motora, do polohy off (vypnutý).
- Po zastavení motora otočte uzatvárací ventil paliva (A), ak je vo výbave motora, do zatvorenej polohy.

## Údržba

Odporúčame, aby ste kvôli každej údržbe a servisu motora a dielov motora navštívili ktoréhokoľvek autorizovaného servisného zástupcu Briggs & Stratton.

**POZNÁMKA:** Všetky diely použité pri stavbe tohto motora musia byť na svojom mieste, aby motor správne fungoval.



**VAROVANIE:** Keď robíte údržbu, ktorá si vyžaduje naklonenie stroja, musí byť palivová nádrž prázdna, ináč môže palivo vytečť a spôsobiť požiar, alebo výbuch.

## Kontrola emisií

Údržba, výmena, alebo oprava zariadení a systémov na obmedzovanie emisií vo výfukových plynch môže byť vykonaná ktoroukoľvek opravovňou, alebo pracovníkom, ktorí opravujú motory neurčené pre vozidlá používané na cestných komunikáciách. Avšak "bezplatná" kontrola emisií vo výfukových plynch môže byť vykonaná iba u servisného zástupcu autorizovaného výrobným závodom. Pozrite si Záruka na emisie.



## VAROVANIE



**Náhodné iskrenie môže spôsobiť požiar, alebo elektrický šok.**



**Neúmyselné naštartovanie môže spôsobiť zachytenie, traumatickú amputáciu, alebo tržné poranenie.**



**Nebezpečie požiaru**

### Pred nastavovaním, alebo opravami:

- Odpojte zapaľovací kábel od zapaľovacej sviečky a dajte ho preč od zapaľovacej sviečky.
- Odpojte prírod od zápornej svorky akumulátora (iba u motorov s elektrickým štartovaním).
- Používajte iba správne nástroje.
- Nezvyšujte otáčky motora úpravou pružiny regulátora, spojok, alebo iných dielov.
- Náhradné diely musia mať rovnakú konštrukciu a musia byť namontované na rovnaké miesta ako pôvodné diely. Iné diely nemusia fungovať tak dobre, môžu poškodiť zariadenie a môžu spôsobiť úraz.
- Neudierajte do zotrvačnika kladivom, alebo tvrdým predmetom, pretože počas behu motora sa môže rozletieť na kusy.

### Pri skúšaní iskry:

- Používajte schválenú skúšačku zapaľovacej sviečky.
- Iskru neskúšajte pri vyskrutkovanej zapaľovacej sviečke.

## Tabuľka údržby

### Každých 8 hodín, alebo denne

- Skontrolujte hladinu motorového oleja
- Vyčistite priestor okolo tlmíča výfuku a ovládačov.

### Každých 100 hodín, alebo raz ročne

- Vyčistite, alebo vymeňte vzduchový filter \*
- Vyčistite predfilter (ak je vo výbave) \*
- Vymeňte motorový olej a filter
- Vymeňte zapaľovaciu sviečku
- Skontrolujte tlmíč výfuku a lapač iskier

### Každých 250 hodín, alebo raz ročne

- Skontrolujte vôľu ventilu. V prípade potreby upraviť.

### Každých 400 hodín, alebo raz ročne

- Vymeňte vzduchový filter
- Vymeňte palivový filter
- Vyčistite vzduchový chladiaci systém \*
- Vyčistite rebrá chladiča oleja \*

\* V prašných podmienkach, alebo pri vzduchu znečistenom úlomkami, čistite častejšie.

## Nastavenie karburátora a otáčok motora

Nikdy nenastavujte karburátor, alebo otáčky motora. Karburátor bol nastavený v závode tak, aby efektívne fungoval vo väčšine pracovných podmienok. Nemeňte otáčky motora nastavením pružiny regulátora motora, neupravujte ťahla, alebo iné diely motora. Ak je potrebné akékoľvek nastavenie, tak sa obráťte na autorizované servisné stredisko Briggs & Stratton.

**POZNÁMKA:** Výrobca stroja určuje maximálne otáčky motora, namontovaného na stroji. **Neprekračujte** tieto otáčky. Ak neviete aké sú maximálne otáčky stroja, alebo na aké otáčky bol motor nastavený vo výrobnom závode, tak si to zistíte v autorizovanom servisnom stredisku Briggs & Stratton. Otáčky motora musí nastavovať iba kvalifikovaný servisný technik, aby bola zaistená bezpečná a správna činnosť stroja.

### Ako vymeniť zapaľovaciu sviečku - Obrázku 5

Skontrolujte vzdialenosť elektród (A, Obrázku 5) drôtovou mierkou (B). Ak je to potrebné, tak vzdialenosť elektród upravte. Zapaľovaciu sviečku zaskrutkujte a utiahnite doporučeným uťahovacím momentom. Nastavenie vzdialenosti elektród, alebo veľkosť uťahovacieho momentu si pozrite v časti **Technické parametre**.

**Poznámka:** Niekde miestne zákony vyžadujú používanie zapaľovacej sviečky s odporom na potlačenie signálov generovaných zapaľovaním. Ak tento motor bol pôvodne vybavený zapaľovacou sviečkou s odporom, tak na jej náhradu použite rovnaký typ zapaľovacej sviečky.

### Skontrolujte tlmíč výfuku a lapač iskier - Obrázku 6



#### VAROVANIE



**Pri behu motora vzniká teplo. Časti motora, hlavne tlmíč výfuku, sa veľmi zohrejú.**



**Dotyk s nimi môže spôsobiť vážne popáleniny.**

**Môže sa zapáliť horľavý odpad, ako sú listy, tráva, chrastie, atď.**

- Skôr ako sa ich dotknete, nechajte tlmíč výfuku, valec motora a rebrá vychladnúť.
- Z priestoru tlmíča výfuku a valca odstráňte nahromadené nečistoty.
- Dôjete k porušeniu zákona California Public Resource Code, Časť 4442, ak budete používať, alebo prevádzkovať motor v zalesnenom, krovinatom, alebo trávnom teréne, ak výfukový systém nebude vybavený lapačom iskier, podľa definície v Časti 4442, udržiavaným v dobrom pracovnom stave. Iné štáty, alebo federálne jurisdikcie môžu mať podobný zákon. Lapač iskier, skonštruovaný pre výfukový systém nainštalovaný na tomto motore, získate u výrobcu, alebo predajcu originálneho vybavenia motora.

Z priestoru tlmíča výfuku a valca odstráňte nahromadené nečistoty. Skontrolujte tlmíč výfuku, (A, Obrázok 6) či nie je popraskaný, skorodovaný, alebo ináč poškodený. Odmontujte lapač iskier (B), ak je použitý na motore a skontrolujte, či nie je poškodený, alebo zanesený olejovými usadeninami. Ak nájdete poškodenie, tak pred používaním motora namontujte náhradné diely.



**VAROVANIE:** Náhradné diely musia mať rovnakú konštrukciu a musia byť namontované na rovnaké miesta ako pôvodné diely. Iné diely nemusia fungovať tak dobre, môžu poškodiť zariadenie a môžu spôsobiť úraz.

### Ako vymeniť olej - Obrázku 7 8 9 10

Použitý olej je nebezpečný odpad a musí byť správne zlikvidovaný. Nevyhadzujte ho s domovým odpadom. Overtte si na miestnych úradoch, v servisnom stredisku, alebo u zástupcu, existenciu bezpečných likvidačných/recyklačných závodov.

#### Vypustíte olej

1. Na vypnutom, ale ešte teplom motore odpojte zapaľovací kábel od zapaľovacej sviečky (A) a nepribližujte ho k zapaľovacej sviečke (Obrázku 7).
2. Vyskrutkujte vypúšťaciu zátku oleja (B, Obrázku 8). Olej vypustíte do vhodnej nádoby.
3. Po vypustení oleja naskrutkujte vypúšťaciu zátku oleja a utiahnite ju.

#### Vymeňte olejový filter (ak je vo výbave)

Niektoré modely sú vybavené olejovým filtrom. Interval výmeny si pozrite v tabuľke **Údržba**.

1. Vypustíte olej z motora. Pozrite si časť **Vypustíte olej**.
2. Vyberte olejový filter (C) a zlikvidujte ho správnym spôsobom. Pozrite si Obrázku 9.
3. Pred vložením nového olejového filtra, jemne naolejujte tesnenie olejového filtra čerstvým, čistým olejom.
4. Rukou naskrutkujte olejový filter tak, aby sa tesnenie dotklo adaptéra olejového filtra a potom olejový filter utiahnite ešte o 1/2 až 3/4 otáčky.
5. Nalejte olej. Pozrite si časť **Nalejte olej**.
6. Naštartujte motor a nechajte ho bežať. Počas ohrievania motora kontrolujte, či neuniká olej.
7. Zastavte motor a skontrolujte hladinu oleja. Hladina oleja by mala byť na hornej hranici indikátora maximálnej hladiny (F) na olejovej mierke (Obrázku 10).

#### Nalejte olej

- Motor dajte do vodorovnej polohy.
  - Odstráňte všetky nečistoty z okolia otvoru pre plnenie oleja.
  - Pozrite si časť **Technické parametre** kde je uvedené množstvo oleja.
1. Vytiahnite mierku (D) a utrite ju čistou handrou (Obrázku 10).
  2. Do otvoru pre plnenie oleja pomaly nalievajte olej (E). **Nesmiete preplniť.** Po naliatí oleja počkajte jednu minútu a potom znovu skontrolujte hladinu oleja.
  3. Zasuňte a utiahnite olejovú mierku.

4. Vytiahnite olejovú mierku a skontrolujte hladinu oleja. Hladina oleja by mala byť na hornej hranici indikátora maximálnej hladiny (F) na olejovej mierke.
5. Zasuňte a utiahnite olejovú mierku.

### Ako vykonať údržbu vložky vzduchového filtra - Obrázku 11



#### VAROVANIE



**Palivo a jeho pary sú veľmi horľavé a výbušné.**



**Požiar, alebo výbuch môže spôsobiť vážne popálenia, alebo usmrtienie.**

- Nikdy neštartuje, ani nenechajte bežať motor s odmontovaným vzduchovým filtrom (ak je ním motor vybavený), alebo vybraťou filtračnou vložkou, (ak ju motor má).

**POZNÁMKA:** Na čistenie vložky filtra nepoužívajte tlakový vzduch, alebo rozpúšťadlá. Tlakový vzduch môže vložku filtra poškodiť a rozpúšťadlá vložku filtra rozpustia. Pozrite si **Tabuľka údržby**, kde sú uvedené požiadavky na servis.

1. Otvorte spony (A) a zložte kryt (B). Pozrite si Obrázku 11.
2. Vyskrutkujte maticu (D) a poistku (E).
3. Vyberte vložku vzduchového filtra (F).
4. Vyberte predfilter (G), ak je použitý, zo vzduchovej filtračnej vložky.
5. Na uvoľnenie nečistôt jemne poklepte vzduchovou filtračnou vložkou o tvrdý povrch. Ak je vzduchová filtračná vložka veľmi špinavá, nahraďte ju novou vzduchovou filtračnou vložkou.
6. Predfilter vyperte v roztoku saponátového čistiaceho prostriedku a vody. Predfilter potom nechajte poriadne uschnúť na vzduchu. **Nesmiete** naolejovať predfilter.
7. Suchý predfilter nasadte na vzduchovú filtračnú vložku.
8. Vložte vzduchovú filtračnú vložku a zaistite ju poistkou a maticou.
9. Nasadte a zaistite kryt.

### Ako vymeniť palivový filter - Obrázku 12



#### VAROVANIE



**Palivo a jeho pary sú veľmi horľavé a výbušné.**



**Požiar, alebo výbuch môže spôsobiť vážne popálenia, alebo usmrtienie.**

- Palivo chráňte pred iskrami, otvorenými plameňmi, zapaľovacími plamienkami, teplom a inými zápalnými zdrojmi.
- Často kontrolujte palivové rúrky, nádrž, uzáver nádrže a spojky, či nie sú prasknuté, alebo netesniace. V prípade potreby ich vymeňte.
- Pred výmenou palivového filtra vypustíte palivo z palivovej nádrže, alebo zatvorte uzatvárací ventil paliva.
- Náhradné diely musia byť rovnaké a musia byť namontované na to isté miesto ako pôvodné diely.
- Ak sa palivo rozleje, počkajte kým sa vyparí a až potom štartujte motor.

1. Pred výmenou palivového filtra (A, Obrázku 12), ak je použitý, vypustíte palivo z palivovej nádrže, alebo zatvorte uzatvárací ventil paliva. V opačnom prípade môže dôjsť k rozliatiu paliva a vzniku požiaru, alebo výbuchu.
2. Pomocou klieští stlačte výstupky (B) na svorkách (C) a potom vysuňte svorky z palivového filtra. Krútením a ťahaním odpojte palivové rúrky (D) od palivového filtra.
3. Skontrolujte palivové rúrky, či nie sú prasknuté, alebo či netesniace. V prípade potreby ich vymeňte.
4. Palivový filter nahraďte originálnym náhradným filtrom.
5. Palivové rúrky zaistíte svorkami tak, ako je to na obrázku.

### Ako čistiť systém vzduchového chladenia motora - Obrázku 13



#### VAROVANIE



**Pri behu motora vzniká teplo. Časti motora, hlavne tlmíč výfuku, sa veľmi zohrejú.**



**Dotyk s nimi môže spôsobiť vážne popáleniny.**

**Môže sa zapáliť horľavý odpad, ako sú listy, tráva, chrastie, atď.**

- Skôr ako sa ich dotknete, nechajte tlmíč výfuku, valec motora a rebrá vychladnúť.
- Z priestoru tlmíča výfuku a valca odstráňte nahromadené nečistoty.

**POZNÁMKA:** Motor nečistite vodou. Voda sa môže dostať do palivového systému. Na čistenie motora používajte kefu, alebo suchú handru.

Tento motor je chladený vzduchom. Špina, alebo úlomky môžu obmedziť prietok vzduchu a spôsobiť prehriatie motora, čo spôsobí zníženie výkonu a skráti životnosť motora.

Úlomky z chrániča prstov (A) odstráňte kefou, alebo suchou handrou. Tiahla, pružiny a ovládacie prvky (B) udržiavajte v čistote. Priestor okolo a za tlmíčom výfuku (C) čistite od všetkých horľavých úlomkov (Obrázku 13). Uistite sa, že na rebrách chladiča oleja (D) nie je špina, alebo úlomky.

## Skladovanie



### VAROVANIE



Palivo a jeho pary sú veľmi horľavé a výbušné.  
Požiar, alebo výbuch môže spôsobiť vážne popálenia, alebo usmrtienie.

#### Pri skladovaní paliva, alebo zariadenia s motorom, ktorý má v nádrži palivo

- Uložte ďaleko od kotlov, pecí, ohrievačov vody, alebo iných spotrebičov, ktoré majú zapalovací plamienok, alebo iný zápalný zdroj, pretože môžu spôsobiť zapálenie výparov paliva.

### Palivový systém

Palivo môže pri skladovaní dlhšom než 30 dní zvetrať. Zvetrané palivo vytvára kyslé a živicné usadeniny v palivovom systéme, alebo v hlavných častiach karburátora. Na

udržanie paliva v čerstvom stave používajte **Briggs & Stratton prípravok na ošetrovanie a stabilizáciu paliva (Advanced Formula Fuel Treatment & Stabilizer)**, ktorý dostanete kúpiť vo všetkých predajniach, predávajúcích originálne náhradné diely Briggs & Stratton.

Ak sa stabilizátor paliva pridá podľa pokynov, tak nie je potrebné vypúšťať benzín z motora. Motor pred uskladnením nechajte bežať 2 minúty, aby stabilizátor prešiel celým palivovým systémom.

Ak benzín v motore nebol ošetrený stabilizátorom paliva, tak benzín musí byť vypustený do nádoby schválenej na tento účel. Nechajte motor bežať, až sa zastaví kvôli nedostatku benzínu. Aby benzín zostal čerstvý, odporúčame naliať stabilizátor paliva do nádoby pre skladovanie benzínu.

### Motorový olej

Motorový olej vymieňajte pri teplom motore.

### Riešenie problémov

Potrebujete pomoc? Choďte na [VanguardEngines.com](http://VanguardEngines.com), alebo zavolajte na telefónne číslo **1-800-999-9333** (v USA).

## Technické parametre

Technické parametre motora	
Model	290000
Zdvihový objem	479 cm <sup>3</sup>
Vřtanie	68 mm
Zdvih	66 mm
Obsah oleja	1,36 - 1,42 l

Technické parametre motora	
Model	300000
Zdvihový objem	479 cm <sup>3</sup>
Vřtanie	68 mm
Zdvih	66 mm
Obsah oleja	1,36 - 1,42 l

Predpisy pre nastavovanie *	
Model	290000, 300000
Vzdialenosť elektród zapaľovacej sviečky	0,76 mm
Uťahovací moment zapaľovacej sviečky	20 Nm
Vzduchová medzera armatúry	0,20 - 0,30 mm
Vôľa nasávacieho ventilu	0,10 - 0,15 mm
Vôľa výfukového ventilu	0,10 - 0,15 mm

\* Výkon motora sa zníži o 3.5% na každých 300 metrov nadmorskej výšky a o 1% na každých 5.6° C nad hodnotu 25° C. Motor bude spoľahlivo pracovať pri sklone do 15°. Pozrite si návod na obsluhu zariadenia, kde sú uvedené bezpečné prípustné pracovné limity na svahoch.

Technické parametre motora	
Model	350000
Zdvihový objem	570 cm <sup>3</sup>
Vřtanie	72 mm
Zdvih	70 mm
Obsah oleja	1,36 - 1,42 l

Technické parametre motora	
Model	380000
Zdvihový objem	627 cm <sup>3</sup>
Vřtanie	75,5 mm
Zdvih	70 mm
Obsah oleja	1,36 - 1,42 l

Predpisy pre nastavovanie *	
Model	350000, 380000
Vzdialenosť elektród zapaľovacej sviečky	0,76 mm
Uťahovací moment zapaľovacej sviečky	20 Nm
Vzduchová medzera armatúry	0,20 - 0,30 mm
Vôľa nasávacieho ventilu	0,10 - 0,15 mm
Vôľa výfukového ventilu	0,10 - 0,15 mm

### Bežné servisné diely ✓

Servisný diel	Číslo dielu
Vzduchový filter – okrem modelu: 358700, 380000	394018
Vzduchový filter – model: 358700, 380000	692519
Predfilter vložky vzduchového filtra – okrem modelu: 358700, 380000	272490
Predfilter vložky vzduchového filtra – model: 358700, 380000	692520
Olej - SAE 30	100028
Olejový filter - dĺžky 6 cm	492932
Olejový filter - dĺžky 9 cm	491056

Servisný diel	Číslo dielu
Palivový filter - s palivovou nádržou	808116
Palivový filter - s palivovým čerpadlom	691035
Palivový filter - bez palivového čerpadla	298090
Pokročilý plán ošetrovania paliva a stabilizátor	100117, 100120
Zapaľovacia sviečka s odporom	491055
Platinová zapaľovacia sviečka s dlhou životnosťou	5066
Kľúč pre zapaľovaciu sviečku	19374
Skúšačka iskry	19368

✓ Odporúčame, aby ste kvôli každej údržbe a servisu motora a dielov motora navštívili ktoréhokoľvek autorizovaného servisného zástupcu Briggs & Stratton.

## OBMEDZENÁ ZÁRUKA

Briggs & Stratton ručí za to, že počas nižšie uvedenej doby záruky bezplatne opraví, alebo vymení každý diel s vadou materiálu, alebo dielenského spracovania, alebo s obidvomi vadami. Prepravné náklady výrobku predloženého na opravu, alebo výmenu, podľa tejto záruky, musí niesť kupujúci. Táto záruka platí na dobu a za podmienok stanovených ďalej. O záručnú opravu požiadajte najbližšieho autorizovaného servisného zástupcu na našej vyhľadávacej mape na stránke BRIGGSandSTRATTON.COM. Kupujúci musí kontaktovať autorizovaného servisného zástupcu a potom mu musí doručiť motor na prehliadku a vyskúšanie.

**Neexistuje žiadna ďalšia výslovná záruka. Predpokladané záruky, vrátane záruk predajnosti a vhodnosti na konkrétny účel, sú obmedzené na nižšie uvedenú dobu, alebo na inú dobu povolenú zákonom. Zodpovednosť za náhodné, alebo následné škody je vylúčená v maximálnom rozsahu, povolenom zákonom.** Niektoré štáty, alebo krajiny, nepovoľujú obmedzenie doby platnosti predpokladanej záruky a niektoré štáty, alebo krajiny nepovoľujú vylúčenie, alebo obmedzenie náhodných, alebo následných škôd, takže vyššie uvedené obmedzenie a vylúčenie sa vás nemusí týkať. Táto záruka vám dáva určité základné práva a okrem nich môžete mať navyše ďalšie práva podľa toho, v ktorom štáte, alebo krajine žijete. \*\*

## ŠTANDARDNÉ ZÁRUČNÉ PODMIENKY \* ▲

Značka/Typ výrobku	Spotrebiteľské použitie	Obchodné použitie
Vanguard™ ■	3 roky	3 roky
Komerčná séria Turf™	2 roky	2 roky
Motory s liatinovou vložkou valca Dura-Bore™	2 roky	1 rok
Všetky ostatné motory Briggs & Stratton	2 roky	90 dní

\* Toto sú naše štandardné záručné podmienky, ale niekedy môže existovať doplnkové poistné krytie, ktoré neexistovalo v čase publikácie. Zoznam aktuálnych záručných podmienok pre váš motor nájdete na stránke BRIGGSandSTRATTON.COM, alebo sa obráťte na svojho autorizovaného zástupcu Briggs & Stratton.

\*\* V Austrálii - Naše výrobky dodávame so zárukami, ktoré nie je možné vylúčiť na základe austrálskeho spotrebiteľského práva. Máte nárok na výmenu tovaru, alebo vrátenie peňazí pri výskyte závažnej poruchy a na refundáciu akejkoľvek inej prijateľnej, predvídateľnej straty, alebo škody. Taktiež máte nárok dať si tovar opraviť, alebo vymeniť, ak tovar nebude mať prijateľnú kvalitu a ak porucha nebude závažná. Na uplatnenie záruky si vyhľadajte najbližšieho autorizovaného servisného zástupcu na našej vyhľadávacej mape na stránke BRIGGSandSTRATTON.COM, alebo zavolajte na číslo 1300 274 447, alebo zašlite email, alebo riadny list na adresu salesenquiries@briggsandstratton.com.au, Briggs & Stratton Australia Pty Ltd, 1 Moorebank Avenue, Moorebank, NSW, Australia, 2170.

▲ Záruka neplatí pre motory nainštalované na zariadeniach, používaných ako základné zdroje elektrického prúdu namiesto elektrárenskej distribučnej spoločnosti, alebo na záložných elektrocentrálach, používaných na komerčné účely. Záruka neplatí pre motory, používané pri športových závodoch, alebo na komerčných, alebo nájomných závodných tratiach.

■ Vanguard umiestnený v záložných elektrocentrálach: 2 ročná záruka pre koncových používateľov, žiadna záruka pre komerčné použitie. Vanguard namontovaný na úžitkových vozidlách: 2 ročná záruka pre koncových používateľov, 2 ročná záruka pre komerčné použitie. Vanguard 3-valcový, kvapalinou chladený: Pozrite si reklamačný poriadok pre majiteľa motora Briggs & Stratton 3/LC.

Záručná doba začína dňom zakúpenia prvým maloobchodným, alebo komerčným zákazníkom. "Použitie zákazníkom" znamená používanie výrobku pre potreby domácnosti osobou, ktorá tento výrobok zakúpila v maloobchode. "Komerčné používanie" znamená všetky ostatné druhy používania, ku ktorým patrí používanie na komerčné účely, na tvorbu zisku, alebo na prenájom. Po prvom komerčnom použití motora, bude tento motor vždy v budúcnosti považovaný, pre účely tejto záruky, za motor určený pre komerčné používanie.

**Odložte si bloček z nákupu. Ak pri reklamácií nepredložíte bloček s dátumom nákupu, tak na určenie záručnej doby bude použitý dátum výroby výrobku. Uznatie záruky na výrobky Briggs & Stratton nie je podmienené zaregistrovaním výrobku.**

## O vašej záruke

Táto obmedzená záruka platí iba na chyby materiálu motora, respektíve chybné spracovanie materiálu motora a nie na zariadenie, na ktorom je motor namontovaný. Táto záruka nepokrýva bežnú údržbu, nastavovanie, alebo normálne opotrebenie a poškodenie. Podobne, záruka neplatí, ak bol motor upravený, alebo ak je nečitateľné, alebo úplne odstránené výrobné číslo motora. Táto záruka neplatí na použité, repasované, bazárové, alebo predvádzacie zariadenia, alebo motory. Táto záruka neplatí na poškodenie motora, alebo zníženie jeho výkonu spôsobené:

- 1 Použitím dielov, ktoré nie sú originálnymi dielmi Briggs & Stratton;
- 2 Prevádzkovaním motora, v ktorom je nevhodný, znečistený olej, alebo olej nesprávnej triedy;
- 3 Použitím znečisteného, alebo zvetraného paliva, benzínu s viac než 10% primiešaného etanolu, alebo používaním alternatívnych palív, ako napríklad petroleja, alebo zemného plynu, v motoroch, ktoré neboli pôvodne navrhnuté/vyrobené spoločnosťou Briggs & Stratton pre používanie týchto alternatívnych palív;
- 4 Špinou, ktorá vnikla do motora kvôli nesprávnej údržbe, alebo nesprávnej zmontovaniu vzduchového filtra;

- 5 Nárazom rotačného noža kosačky na trávu do pevného predmetu, uvoľnením, alebo nesprávne namontovaným adaptérom noža, uvoľnením ozubeným kolesom, alebo inými dielmi mechanicky spojenými s kľukovým hriadeľom, alebo príliš silno napnutým klinovým remeňom;
- 6 Mechanicky pripojenými dielmi, alebo zostavami, ako sú spojky, prevody, ovládače zariadenia, na ktorom je namontovaný motor, atď., ktoré nie sú dodané spoločnosťou Briggs & Stratton;
- 7 Prehriatím, spôsobeným pokosenou trávou, špinou, alebo hniezdami hľadavcov, ktoré upchajú, alebo zanesú chladiace rebrá, alebo priestor zotrvačníka, alebo nedostatočným vzduchovým chladením pracujúceho motora;
- 8 Nadmernými vibráciami, spôsobenými príliš vysokými otáčkami, uvoľnením uchytením motora, uvoľnenými, alebo nevyváženými nožmi, alebo ozubenými kolesami, alebo nesprávnym pripojením dielov zariadenia, na ktorom je namontovaný motor, ku kľukovému hriadeľu;
- 9 Nesprávnym používaním, nedostatočnou bežnou údržbou, nesprávnou prepravou, manipuláciou, alebo skladovaním zariadenia, na ktorom je namontovaný motor, alebo nesprávnou montážou motora na zariadenie.

**Záručný servis poskytujú iba servisní zástupcovia, autorizovaní spoločnosťou Briggs & Stratton. Najbližšieho autorizovaného servisného zástupcu si vyhľadajte na našej mape zástupcov na stránke BRIGGSandSTRATTON.COM, alebo zavolajte na telefónne číslo 1-800-233-3723 (v USA).**



## Splošni podatki

Priročnik vsebuje varnostne informacije, s katerimi vas seznanja z nevarnostmi in tveganji, povezanimi z motorji in kako se jim izogniti. Vsebuje tudi navodila za pravilno uporabo in nego motorja. Ker družba Briggs & Stratton nima vedno podatkov o tem, kateri stroj bo ta motor pogonjal, morate prebrati in razumeti ta navodila in navodila stroja. **Originalna navodila shranite za uporabo v prihodnje.**

Za nadomestne dele ali tehnično pomoč spodaj poleg datuma nakupa zabeležite številko modela, tipa in kodno številko motorja. Te številke se nahajajo na motorju (oglejte si stran **Deli in upravljalni vzvodi**).

Datum nakupa: \_\_\_\_\_  
MM/DD/LLLL

Model motorja: \_\_\_\_\_  
Model: Tip: Koda:

**Moč motorja:** Bruto moč posameznih modelov bencinskih motorjev je označena v skladu s pravilnikom SAE (Society of Automotive Engineers) J1940 (Small Engine Power & Torque Rating Procedure), naznačena pa je v skladu s pravilnikom SAE J1995. Vrednost navora je merjena pri 2600 vrt./min. pri motorjih, ki imajo na nalepki napisano »rpm«, in 3060 vrt./min. pri vseh ostalih; vrednosti moči pa so merjene pri 3600 vrt./min.. Krivuljo bruto moči si lahko ogledate na [www.BRIGGSandSTRATTON.COM](http://www.BRIGGSandSTRATTON.COM). Neto moč motorja je izmerjena ob nameščenih izpušni cevi in zračnem filtru, bruto moč pa je izmerjena brez teh dodatkov. Dejanska bruto moč motorja je višja od neto moči motorja, nanjo pa, poleg drugega, vplivajo okoljski delovni pogoji in razlike med posameznimi motorji. Ob upoštevanju velikega izbora proizvodov, ki jih pogonjajo naši motorji, bencinski motor na določeni napravi morda ne bo razvil nazivne bruto moči. Razlika je posledica vrste vplivov, ki vključujejo, vendar niso omejeni samo na sledeče: različne dele motorjev (zračni filter, izpuh, polnjenje, hlajenje, uplinjač, črpalka za gorivo itd.), omejitve uporabe, razmere delovnega okolja (temperatura, zračna vlaga, nadmorska višina) in razliko med posameznimi motorji. Zaradi omejitev proizvodnje in zmogljivosti lahko podjetje Briggs & Stratton zamenja močnejši motor za ta motor.

## Varnost uporabnika

### VARNOSTNI SIMBOLI IN SIMBOLI ZA UPRAVLJANJE



Varnostni opozorilni simbol se uporablja za identifikacijo varnostnih informacij o nevarnostih, ki bi lahko povzročile telesne poškodbe. Signalna beseda (NEVARNOST, OPOZORILO ali POZOR) se uporablja za opozorilni simbol za opozarjanje na verjetnost in potencialno resnost poškodbe. Poleg tega se lahko simbol za nevarnost uporablja za označevanje vrste nevarnosti.

**NEVARNOST** opozarja na tveganje, ki bo, če se mu ne izognemo, povzročilo smrt ali težko poškodbo.

**OPOZORILO** opozarja na tveganje, ki lahko v primeru, da se mu ne izognemo, povzroči smrt ali težko poškodbo.

**POZOR** opozarja na tveganje, ki lahko v primeru, da se mu ne izognemo, povzroči manjšo ali zmerno poškodbo.

**OPOMBA** opozarja na situacijo, ki lahko povzroči poškodbo izdelka.



### OPOZORILO

Določeni sestavni deli in povezani deli vsebujejo kemikalije, za katere je v državi Kaliforniji znano, da povzročajo raka, prirojene hibe ali druge genetske okvare. Po rokovanju si umijte roke.



### OPOZORILO

Izpuh motorja pri tem izdelku vsebuje kemikalije, za katere je v Kaliforniji znano, da povzročajo raka, prirojene hibe ali druge genetske okvare.



### OPOZORILO

Briggs & Strattonovi motorji niso zasnovani za in niso namenjeni za pogon: kartov za prosti čas; gokartov; otroških, rekreativnih ali športnih terenskih vozil (ATV); motornih koles; vozil na zračno blazino; zrakoplovnih izdelkov; ali vozil, uporabljenih na tekmovanjih, ki jih ni odobrilo podjetje Briggs & Stratton. Za informacije o izdelkih za tekmovalno dirkanje si oglejte [www.briggsracing.com](http://www.briggsracing.com). Za uporabo z večnamenskimi vozili in štirikolesniki s sopotnikovim sedežem vzporedno z voznikovim (side-by-side) se obrnite na Briggs & Strattonov center za svetovanje glede uporabe motorjev, 1-866-927-3349. Napačna uporaba motorja lahko pripelje do hudih poškodb ali smrti.

**OPOMBA:** Briggs & Stratton dobavi motorje brez olja. Pred zagonom motorja dolijte olje v skladu z navodili v tem priročniku. Če zaženet motor brez olja, se le-ta poškoduje in v tem primeru garancija ne velja.



## OPOZORILO



Gorivo in njegovi hlapi so izjemno vnetljivi in eksplozivni. Ogenj ali eksplozija lahko povzročita težke opekline ali smrt.

### Med dolivanjem goriva

- Izključite motor in pustite, da se le-ta ohlaja vsaj 2 minuti, preden odstranite pokrovček rezervoarja za gorivo.
- Rezervoar za gorivo polnite zunaj ali v dobro zračenem prostoru.
- Rezervoarja za gorivo ne napolnite preveč. Da omogočite širjenje goriva, le-to ne sme segati prek spodnjega dela vratu rezervoarja za gorivo.
- Gorivo hranite proč od virov iskrenja, odprtega ognja, kontrolnih lučk, toplote in drugih virov vžiga.
- Redno preverjajte morebitno puščanje vodov za gorivo, rezervoarja, pokrovčka in priključkov. Po potrebi jih zamenjajte.
- Če se gorivo razlije, počakajte, da izhlapi, preden zaženete motor.

### Pri zagonu motorja

- Poskrbite, da bodo vžigalna svečka, izpuh, pokrovček rezervoarja za gorivo in zračni filter (če obstaja) na svojem mestu in pritrjeni.
- Ne zaganjajte motorja, če svečka ni vstavljenjena.
- Če gorivo zalije motor, nastavite dušilno loputo (če obstaja) v položaj OPEN/RUN, regulator plina (če obstaja) premaknite v položaj FAST in zaganjajte, dokler motor ne vžge.

### Med uporabo stroja

- Motorja ali stroja ne nagibajte pod kotom, ki bi povzročil razlitje goriva.
- Ne uporabljajte dušilne lopute uplinjača za zaustavitev motorja.
- Motorja ne zaganjajte oziroma ga ne pustite teči, ko je odstranjen sestav zračnega filtra (če obstaja) ali zračni filter (če obstaja).

### Pri menjavi olja

- Če olje izlivate prek cevi za dolivanje olja na vrhu, mora biti rezervoar za gorivo prazen, ker lahko gorivo izteka in povzroči požar ali eksplozijo.

### Pri nagibanju enote zaradi vzdrževanja

- Pri vzdrževalnih delih, ki zahtevajo nagib enote, mora biti rezervoar za gorivo prazen, ker lahko v nasprotnem primeru gorivo izteče in povzroči požar ali eksplozijo.

### Pri prevozu stroja

- Prevažajte s PRAZNIH rezervoarjem za gorivo ali z ZAPRTIM zapornim ventilom za gorivo.

### Pri shranjevanju goriva ali stroja z gorivom v rezervoarju

- Hranite proč od odprtega ognja, peči, grelcev za vodo ali drugih naprav, ki imajo kontrolno lučko ali drugi vir vžiga, ker lahko vžgejo hlape goriva.



## OPOZORILO



Med zaganjanjem motorja pride do iskrenja. Iskrenje lahko vžge bližnje vnetljive pline. Lahko pride do eksplozije in ognja.

- Če v okolici pušča zemeljski ali utekočinjen naftni plin, ne zaganjajte motorja.
- Ne uporabljajte zagonskih tekočin pod pritiskom, ker so hlapi vnetljivi.



## OPOZORILO



**NEVARNOST ZARADI STRUPENIH PLINOV.** Izpušni plin iz motorja vsebuje ogljikov monoksid, strupen plin, ki je lahko hitro usoden. NE MORETE ga videti, vohati ali okusiti. Tudi če ne vohate izpušnih plinov, ste vseeno lahko izpostavljeni ogljikovemu monoksidu. Če vam med uporabo tega izdelka postane slabo, se vam začne vrteti ali postanete šibki, ga ugasnite in pojdite TAKOJ na svež zrak. Obiščite zdravnika. Morda ste se zastropili z ogljikovim monoksidom.

- S tem izdelkom upravljajte LE zunaj, daleč stran od oken, vrat ali prezračevalnikov, da zmanjšate nevarnost kopičenja ogljikovega monoksida in da ta ne prehaja na mesta, kjer se nahajajo ljudje.
- Namestite baterijske alarmne naprave za zaznavanje ogljikovega monoksida ali vključite alarmne naprave za zaznavanje ogljikovega monoksida z nadomestnim napajanjem z baterijo v skladu s proizvajalčevimi navodili. Alarmne naprave za zaznavanje dima ne morejo zaznati ogljikovega monoksida.
- Ta izdelek naj NE deluje v domovih, garažah, kletih, kletih z nizkimi stropi, lopah ali drugih delno zaprtih prostorih, tudi če uporabljate ventilatorje ali odprte vrata in okna za zračenje. Ogljikov monoksid se v teh prostorih hitro nakopiči in se tam zadržuje več ur, tudi če ugasnete izdelek.
- Ta izdelek naj bo VEDNO postavljen tako, da bo veter pihal stran od njega, izpuh motorja pa naj bo obrnjen stran od mest, kjer se nahajajo ljudje.



## OPOZORILO



Zaradi hitrega povratnega vleka zaganjalne vrvi (povratni sunek) potegne roko proti motorju hitreje, kot lahko spustite ročko. Lahko pride do zloma kosti, zmečkanin ali izpaha.

- Ko zaganjate motor, počasi vlecite zaganjalno vrv, dokler ne začutite upora, nato pa jo povlecite hitro, da preprečite povratni sunek.
- Pred zaganjanjem motorja odstranite vse zunanje obremenitve stroja/motorja.
- Neposredno priključeni sestavni deli opreme, kot so na primer rezila, rotorji, jermenice, verižniki itd, morajo biti dobro pritrjeni.



## OPOZORILO



Vrtljivi deli lahko zadenejo ali se zapletejo v roke, noge, lase, oblačila ali dodatke.

Lahko pride do travmatične amputacije ali težkih ran.

- Med delovanjem stroja morajo biti nameščena varovala.
- Rok in nog ne približujte vrtljivim delom.
- Spnite si dolge lase in odstranite nakit.
- Ne nosite ohlapnih oblačil, opletajočih vrvic ali predmetov, ki bi se lahko ujeli.



## OPOZORILO



Delujoči motorji se segrevajo. Deli motorja, posebej izpuh, se močno segrejejo.

Ob dotiku lahko pride do težkih opeklin.



Vnetljivi odpadki, kot so listje, trava, dračje itd., se lahko vnamejo.

- Pustite, da se izpuh, valj motorja in hladilna rebra ohladijo, preden se jih dotaknete.
- Odstranite material, ki se je nabral na območju izpuha in valja.
- Po določilih poglavja 4442 Zakona o javnih sredstvih države Kalifornije gre za kršitev, če uporabljate ali upravljate stroj na gozdnatih, grmičastih ali travnatih predelih, če na izpušnem sistemu ni nameščen brezhiben lovilec isker, kot je opredeljeno v Poglavju 4442. Druge države ali zvezne oblasti imajo lahko podobne zakone. Obrnite se na proizvajalca, trgovca ali preprodajalca originalne opreme, da vam priskrbi originalni lovilec isker za izpušni sistem, ki je nameščen na motorju.



## OPOZORILO



Nenamerno iskrenje lahko povzroči ogenj ali električni udar.

Nenamerni zagon lahko povzroči zapletanje, travmatično amputacijo ali rano.

Nevarnost požara



### Pred nastavljanjem ali popravili:

- Snemite kabel vžigalne svečke in ga hranite proč od svečke.
- Odklopite negativni pol akumulatorja (samo pri motorjih z električnim zagonom).
- Uporabljajte le pravo orodje.
- Obratov motorja ne povečujte s spreminjanjem krmilne vzmeti, povezav ali drugih delov.
- Nadomestni deli morajo biti enaki in nameščeni na enakem položaju kot originalni deli. Zaradi neoriginalnih delov lahko pride do slabšega delovanja, okvare enote in poškodb.
- Vztrajnika ne udarjajte s kladivom ali trdim predmetom, ker lahko kasneje med delovanjem razpade.

### Pri preizkušanju iskrenja:

- Uporabljajte odobreno napravo za preizkušanje iskre.
- Iskre ne preverjajte z odstranjeno svečko.

# Deli in regulatorji

Sliko primerjajte **1** z motorjem, da se seznanite z mesti različnih delov in regulatorjev.

- A. Identifikacija motorja  
**Model Tip Koda**
- B. Vžigalna svečka
- C. Zračni filter
- D. Merilna palica za olje/odprtina za dolivanje olja
- E. Oljni filter (dodatno)
- F. Čep za izpust olja
- G. Tipalo tlaka olja
- H. Ščitnik za prste
- I. Električni zaganjalnik
- J. Povratni zaganjalnik (dodatno)
- K. Uplinjač
- L. Zbiralnik izpušnih plinov
- M. Črpalka za gorivo
- N. Filter za gorivo (dodatno)
- O. Hladilnik olja (dodatno)
- P. Izpuh (dodatno)

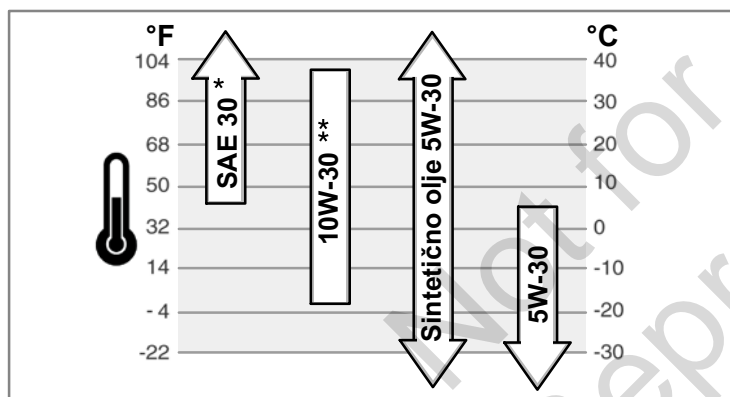
## Delovanje

Količina olja (oglejte si poglavje **Specifikacije**)

### Priporočila za olje

Za najboljšje delovanje priporočamo uporabo olja, ki ga določa garancija podjetja Briggs & Stratton. Sprejemljiva so tudi druga visokokakovostna detergentna olja, če so označena za uporabo SF, SG, SH, SJ ali višje. Ne uporabljajte posebnih dodatkov.

Glede na zunanje temperature se določi ustrezna viskoznost olja za motor. S pomočjo diagrama izberite najboljšo viskoznost za pričakovano temperaturni razpon na prostem.



\* Pod 40°F (4°C) bo zaradi uporabe olja z oznako SAE 30 motor težje zagnati.

\*\* Nad 80°F (27°C) se bo zaradi uporabe olja z oznako 10W-30 povečala poraba olja. Pogosteje preverjajte raven olja.

### Preverjanje/dolivanje olja - slika **2**

Pred dolivanjem ali preverjanjem olja

- Motor postavite v vodoravno lego.
  - Z območja odprtine za dolivanje olja očistite umazanijo.
1. Izvlecite merilno palico za olje (A) in jo obrišite s čisto krpo (slika 2).
  2. Povsem vstavite merilno palico.
  3. Izvlecite merilno palico za olje in preverite raven olja. Olje mora segati do oznake FULL (B) na merilni palici.
  4. Če je olja premalo, ga počasi nalivajte v odprtino za dolivanje olja (C). **Ne napolnite preveč.** Po dolitem olju počakajte eno minuto in nato ponovno preverite raven olja.
  5. Povsem vstavite merilno palico.

### Sistem za nadzor prenizke ravni olja (če obstaja)

Nekateri motorji so opremljeni s tipalom za prenizko raven olja. Če je raven olja prenizka, bo tipalo vklopilo opozorilno lučko ali pa zaustavilo motor. Zaustavite motor in sledite tem korakom, preden motor ponovno zaženete.

- Motor mora biti postavljen naravnost.
- Preverite raven olja. Oglejte si poglavje **Preverjanje/dolivanje olja**.
- Če je raven olja nizka, dolijte ustrezno količino olja. Zaženite motor in se prepričajte, da opozorilna lučka (če obstaja) ne gori.
- Če raven olja ni prenizka, **motorja ne zaganjajte**. Za odpravo težave z ravno olja se obrnite na pooblaščenega trgovca Briggs & Stratton.

## Priporočila za gorivo

Gorivo mora izpolnjevati naslednje zahteve:

- Čist, svež, neosvinčen bencin.
- Najmanj 87 oktanov/87 AKI (91 RON). Uporaba na visoki nadmorski višini, oglejte si spodaj.
- Sprejemljiv je bencin z vsebnostjo etanola do 10 % (gasohol).

**POZOR:** Ne uporabljajte neodobrenega bencina, kot sta E15 in E85. Ne mešajte olja v bencin in ne spreminjajte motorja za delovanje na alternativna goriva. Zaradi uporabe neodobrenih goriv se poškodujejo deli motorja, česar garancija ne krije.

Da bi sistem za gorivo zaščitili pred nabiranjem usedlin, v gorivo vmešajte stabilizator za gorivo. Oglejte si **Shranjevanje**. Niso vsa goriva enaka. Če se pojavijo težave pri zagonu ali delovanju, zamenjajte dobavitelja goriva ali znamko. Ta motor je odobren za delovanje na bencin. Sistem za nadzor emisij za ta motor je EM (Spremembe motorja).

### Visoka nadmorska višina

Pri nadmorskih višinah prek 1524 metrov je sprejemljiv najmanj 85-oktanski/85 AKI (89 RON) bencin.

Pri motorjih z uplinjačem je za ohranitev emisijske ustreznosti potrebna nastavitve za visoke nadmorske višine. Delovanje brez te nastavitve pripelje do slabše zmogljivosti, povišane porabe goriva in povečanih emisij. Za informacije o nastavitvi za visoke nadmorske višine se obrnite na pooblaščenega trgovca Briggs & Stratton. Delovanje motorja pri nadmorskih višinah pod 762 metri s predelavo za uporabo na visoki nadmorski višini ni priporočljivo.

Pri motorjih z elektronskim vbrizgavanjem goriva predelava za uporabo na visoki nadmorski višini ni potrebna.

### Dolivanje goriva - slika **3**



#### OPOZORILO

Gorivo in njegovi hlapi so izjemno vnetljivi in eksplozivni. Ogenj ali eksplozija lahko povzročita težke opekline ali smrt.

#### Med dolivanjem goriva

- Izključite motor in pustite, da se le-ta ohlaja vsaj 2 minuti, preden odstranite pokrovček rezervoarja za gorivo.
- Rezervoar za gorivo polnite zunaj ali v dobro zračenem prostoru.
- Rezervoarja za gorivo ne napolnite preveč. Da omogočite širjenje goriva, le-to ne sme segati prek spodnjega dela vratu rezervoarja za gorivo.
- Gorivo hranite proč od virov iskrjenja, odprtega ognja, kontrolnih lučk, toplote in drugih virov vžiga.
- Redno preverjajte morebitno puščanje vodov za gorivo, rezervoarja, pokrovčka in priključkov. Po potrebi jih zamenjajte.
- Če se gorivo razlije, počakajte, da izhlapi, preden zaženete motor.

1. Z območja pokrovčka rezervoarja za gorivo očistite umazanijo in delce. Odstranite pokrovček rezervoarja za gorivo (A, slika 3).
2. Rezervoar za gorivo (B) napolnite z gorivom. Da omogočite širjenje goriva, le-ta ne sme segati prek spodnjega dela vratu rezervoarja za gorivo (C).
3. Ponovno namestite pokrovček rezervoarja za gorivo.

### Zagon motorja - slika **4**



#### OPOZORILO

Zaradi hitrega povratnega vleka zaganjalne vrvi (povratni sunek) potegne roko proti motorju hitreje, kot lahko spustite ročko.

Lahko pride do zloma kosti, zmečkanin ali izpaha.

- Ko zaganjate motor, počasi vlecite zaganjalno vrv, dokler ne začutite upora, nato pa jo povlecite hitro, da preprečite povratni sunek.



#### OPOZORILO

Gorivo in njegovi hlapi so izjemno vnetljivi in eksplozivni. Ogenj ali eksplozija lahko povzročita težke opekline ali smrt.

#### Pri zagonu motorja

- Poskrbite, da bodo vžigalna svečka, izpuh, pokrovček rezervoarja za gorivo in zračni filter (če obstaja) na svojem mestu in pritrjeni.
- Ne zaganjajte motorja, če svečka ni vstavljena.
- Če gorivo zalije motor, nastavite dušilno loputo (če obstaja) v položaj OPEN/RUN, regulator plina (če obstaja) premaknite v položaj FAST in zaganjajte, dokler se motor ne zažene.



## OPOZORILO





**NEVARNOST ZARADI STRUPENIH PLINOV.** Izpušni plin iz motorja vsebuje ogljikov monoksid, strupen plin, ki je lahko hitro usoden. **NE MORETE ga videti, vohati ali okusiti.** Tudi če ne vohate izpušnih plinov, ste vseeno lahko izpostavljeni ogljikovemu monoksidu. Če vam med uporabo tega izdelka postane slabo, se vam začne vrteti ali postanete šibki, ga ugasnite in pojdite TAKOJ na svež zrak. Obiščite zdravnika. Morda ste se zasturpili z ogljikovim monoksidom.


- S tem izdelkom upravljajte LE zunaj, daleč stran od oken, vrat ali prezračevalnikov, da zmanjšate nevarnost kopičenja ogljikovega monoksida in da ta ne prehaja na mesta, kjer se nahajajo ljudje.
- Namestite baterijske alarmne naprave za zaznavanje ogljikovega monoksida ali vključite alarmne naprave za zaznavanje ogljikovega monoksida z nadomestnim napajanjem z baterijo v skladu s proizvajalčevimi navodili. Alarmne naprave za zaznavanje dima ne morejo zaznati ogljikovega monoksida.
- Ta izdelek naj NE deluje v domovih, garažah, kletih, kletih z nizkimi stropi, lopah ali drugih delno zaprtih prostorih, tudi če uporabljate ventilatorje ali odprte vrata in okna za zračenje. Ogljikov monoksid se v teh prostorih hitro nakopiči in se tam zadržuje več ur, tudi če ugasnete izdelek.
- Ta izdelek naj bo VEDNO postavljen tako, da bo veter pihal stran od njega, izpuh motorja pa naj bo obrnjen stran od mest, kjer se nahajajo ljudje.

**OPOMBA:** Briggs & Stratton dobavi motorje brez olja. Pred zagonom motorja dolijte olje v skladu z navodili v tem priročniku. Če zaženete motor brez olja, se le-ta poškoduje in v tem primeru garancija ne velja.

*Opomba:* Nekateri motorji in stroji imajo regulatorje za daljinsko upravljanje. Za mesto in delovanje regulatorjev si oglejte priročnik stroja.

1. Preverite raven olja. Oglejte si poglavje **Preverjanje/dolivanje olja**.
2. Poskrbite, da bodo pogonski regulatorji, če obstajajo, sproščeni.
3. Zaporni ventil za gorivo (A), če obstaja, obrnite v odprti položaj (slika 4).
4. Stikalo za zaustavitev (F), če obstaja, premaknite v položaj za vklop.

5. Regulator plina (B) premaknite v položaj FAST . Med delovanjem motorja naj bo regulator plina v položaju za hitro delovanje .

6. Ročico dušilne lopute (C) plina premaknite v položaj CHOKE .

*Opomba:* Dušilna loputa običajno ni potrebna, če ponovno zaganjate topel motor.


7. **Povratni zaganjalnik:** Stikalo na ključ (D), če obstaja, obrnite v položaj za delovanje.
8. **Povratni zaganjalnik:** Močno držite ročico zaganjalne vrvi (E). Počasi jo vlecite, dokler ne začutite upora, nato jo povlecite hitro.  
*OPOMBA:* Če se motor po več poskusih zagona ne zažene, se obrnite na krajevnega trgovca ali pojdite na [VanguardEngines.com](http://VanguardEngines.com) or call **1-800-999-9333** (v ZDA).



**OPOZORILO:** Zaradi hitrega povratnega vleka zaganjalne vrvi (povratni sunek) potegne roko proti motorju hitreje, kot lahko spustite ročko. Lahko pride do zloma kosti, zmečkanin ali izpaha. Ko zaganjate motor, počasi vlecite zaganjalno vrv, dokler ne začutite upora, nato pa jo povlecite hitro, da preprečite povratni sunek.

9. **Električni zagon:** Stikalo za električni zagon (D) obrnite v položaj za vklop/zagon.  
*OPOMBA:* Če se motor po več poskusih zagona ne zažene, se obrnite na krajevnega trgovca ali pojdite na [VanguardEngines.com](http://VanguardEngines.com) or call **1-800-999-9333** (v ZDA).

*OPOMBA:* Zaradi daljše življenjske dobe zaganjalnika motor zaganjajte v kratkih intervalih (največ pet sekund). Med intervali počakajte po eno minuto.

10. Ko se motor segreje, regulator dušilne lopute (C) premaknite v položaj za delovanje .

## Zaustavitev motorja - slika 4




## OPOZORILO



**Gorivo in njegovi hlapi so izjemno vnetljivi in eksplozivni. Ogenj ali eksplozija lahko povzročita težke opekline ali smrt.**

- Ne uporabljajte dušilne lopute uplinjača za zaustavitev motorja.

1. Regulator plina (B) premaknite v položaj za počasno delovanje  in obrnite stikalo na ključ (D) v položaj za izklop (slika 4). Odstranite ključ in ga hranite na varnem izven dosega otrok.
2. Stikalo za zaustavitev (F), če obstaja, premaknite v položaj za izklop.
3. Po zaustavitvi motorja zaprite zaporni ventil za gorivo (A), če obstaja.

## Vzdrževanje

Priporočamo, da se obrnete na katerega koli pooblaščenega trgovca Briggs & Stratton za vsa vzdrževalna dela in servisiranje motorja in njegovih delov.

**OPOMBA:** Za pravilno delovanje morajo vsi sestavni deli motorja ostati na svojem mestu.



## OPOZORILO:

Pri vzdrževalnih delih, ki zahtevajo nagib enote, mora biti rezervoar za gorivo prazen, ker lahko v nasprotnem primeru gorivo izteče in povzroči požar ali eksplozijo.

## Nadzor emisij

**Vzdrževalna dela, zamenjave ali popravila naprav in sistemov nadzora emisij lahko izvrši vsaka poslovalnica za popravila izvencestnih motorjev ali posameznik.** Če pa želite »brezplačen«  
servis delov za nadzor emisij, ga mora izvršiti s strani tovarne pooblaščen trgovec. Oglejte si garancijo za emisije.



## OPOZORILO



**Nenamerno iskenje lahko povzroči ogenj ali električni udar.**



**Nenamerni zagon lahko povzroči zapletanje, travmatično amputacijo ali rano.**



**Nevarnost požara**

## Pred nastavljanjem ali popravili:

- Snemite kabel vžigalne svečke in ga hranite proč od svečke.
- Odklopite negativni pol akumulatorja (samo pri motorjih z električnim zagonom).
- Uporabljajte le pravo orodje.
- Obratov motorja ne povečujte s spreminjanjem krmilne vzmeti, povezav ali drugih delov.
- Nadomestni deli morajo biti enaki in nameščeni na enakem položaju kot originalni deli. Zaradi neoriginalnih delov lahko pride do slabšega delovanja, okvare enote in poškodb.
- Vztrajnika ne udarjajte s klavdivom ali trdim predmetom, ker lahko kasneje med delovanjem razpade.

## Pri preizkušanju iskenja:

- Uporabljajte odobreno napravo za preizkušanje iskre.
- Iskre ne preverjajte z odstranjeno svečko.

## Tabela vzdrževanja

### Vsakih 8 ur ali dnevno

- Preverite raven motornega olja
- Očistite območje okrog izpuha in upravljalnih vzvodov

### Vsakih 100 ur ali letno

- Očistite ali zamenjajte zračni filter \*
- Očistite predfilter (če obstaja) \*
- Zamenjajte motorno olje in filter
- Zamenjajte vžigalno svečko
- Preglejte izpuh in lovilec isker

### Vsakih 250 ur ali letno

- Preverite reže ventilov. Po potrebi ga nastavite.

### Vsakih 400 ur ali letno

- Zamenjajte zračni filter
- Zamenjajte filter za gorivo
- Očistite sistem za zračno hlajenje \*
- Očistite rebra hladilnika olja \*

\* V prašnih razmerah ali ob prisotnosti delcev v zraku očistite večkrat.

## Nastavljanje uplinjača in vrtljajev motorja

Uplinjača ali vrtljajev motorja ne nastavljajte sami. Uplinjač je tovarniško nastavljen za učinkovito delovanje v večini razmer. Vrtljajev motorja ne spreminjajte s spreminjanjem krmilne vzmeti, povezav ali drugih delov. Če so potrebne kakršnekoli nastavitve, se za servisno pomoč obrnite na pooblaščen servisni center podjetja Briggs & Stratton.

**OPOMBA:** Proizvajalec stroja določi najvišje vrtljaje motorja, ko je nameščen na stroj. **Ne prekoračite** teh vrtljajev. Če niste prepričani, kakšna je najvišja hitrost stroja ali na kakšne vrtljaje je motor tovarniško nastavljen za delovanje, se za pomoč obrnite na pooblaščen servisni center podjetja Briggs & Stratton. Za varno in pravilno delovanje stroja mora vrtljajev motorja nastaviti le usposobljen strokovnjak.

## Zamenjava vžigalne svečke - **slika 5**

Preverite razmak (A, slika 5) z merilnim lističem (B). Po potrebi razmak ponastavite. Vžigalno svečko namestite in privijte do priporočenega zateznega momenta. Za nastavitve razmaka ali zatezni moment si oglejte poglavje **Specifikacije**.

**Opomba:** Na nekaterih področjih zahteva krajevna zakonodaja uporabo uporabne svečke za slabljenje signalov vžiga. Če je bil motor v začetku opremljen z uporabno svečko, uporabite isto vrsto svečke za zamenjavo.

## Preglejte izpuh in lovilec isker - **slika 6**



### OPOZORILO



**Delujoči motorji se segrevajo. Deli motorja, posebej izpuh, se močno segrejejo.**



**Ob dotiku lahko pride do težkih opeklin.**

**Vnetljivi odpadki, kot so listje, trava, dračje itd., se lahko vnamejo.**

- Pustite, da se izpuh, valj motorja in hladilna rebra ohladijo, preden se jih dotaknete.
- Odstranite material, ki se je nabral na območju izpuha in valja.
- Po določilih poglavja 4442 Zakona o javnih sredstvih države Kalifornije gre za kršitev, če uporabljate ali upravljate stroj na gozdnatih, grmičastih ali travnatih predelih, če na izpušnem sistemu ni nameščen brezhiben lovilec isker, kot je opredeljeno v Poglavju 4442. Druge države ali zvezne oblasti imajo lahko podobne zakone. Obrnite se na proizvajalca, trgovca ali preprodajalca originalne opreme, da vam priskrbi originalni lovilec isker za izpušni sistem, ki je nameščen na motorju.

Odstranite material, ki se je nabral na območju izpuha in valja. Preglejte izpuh (A, slika 6) zaradi morebitnih razpok, zarjavelosti ali drugih poškodb. Odstranite lovilec isker (B), če obstaja, in preverite morebitne poškodbe ali nakopičenost saj. Če odkrijete poškodbe, pred začetkom uporabe namestite nadomestne dele.



**OPOZORILO:** Nadomestni deli morajo biti enaki in nameščeni na enakem položaju kot originalni deli. Zaradi neoriginalnih delov lahko pride do slabšega delovanja, okvare enote in poškodb.

## Zamenjava olja - **slika 7 8 9 10**

Uporabljeno olje je nevaren odpadni proizvod in ga je treba odlagati na pravilen način. Ne odlagajte ga z gospodinjskimi odpadki. Za varno odlaganje/recikliranje se obrnite na krajevne oblasti, servisni center ali pooblaščenega trgovca.

### Odstranjanje olja

1. Ob ugasnjem, a še vedno toplem motorju snemite kabel vžigalne svečke (A) in ga hranite proč od svečke (slika 7).
2. Odstranite čep za izpust olja (B, slika 8). Olje izpustite v odobreno posodo.
3. Po izpustu olja namestite in privijte čep za izpust olja.

### Zamenjava oljnega filtra (če obstaja)

Nekateri modeli so opremljeni z oljnim filtrom. Intervale za zamenjavo najdete v tabeli **vzdrževanja**.

1. Olje izpustite iz motorja. Oglejte si poglavje **Odstranjanje olja**.
2. Odstranite oljni filter (C) in ga pravilno zavrzite. Oglejte si sliko 9.
3. Preden namestite nov oljni filter, rahlo namažite tesnilo filtra s svežim čistim oljem.
4. Oljni filter privijajte ročno, da pride tesnilo v stik z adapterjem filtra, nato filter privijte za 1/2 do 3/4 obrata.
5. Dolijte olje. Oglejte si poglavje **Dolivanje olja**.
6. Zaženite motor in pustite, da teče. Ko se motor ogreva, preverite morebitno iztekanje olja.
7. Zaustavite motor in preverite raven olja. Olje mora segati do oznake FULL (F) na merilni palici (slika 10).

### Dolivanje olja

- Motor postavite v vodoravno lego.
  - Z območja odprtine za dolivanje olja očistite umazanijo.
  - Za količino olja si oglejte poglavje **Specifikacije**.
1. Izvlecite merilno palico za olje (D) in jo obrišite s čisto krpo (slika 10).
  2. Počasi nalivajte olje v odprtino za dolivanje olja (E). **Ne napolnite preveč**. Po doltlem olju počakajte eno minuto in nato preverite raven olja.
  3. Vstavite in privijte merilno palico za olje.
  4. Izvlecite merilno palico za olje in preverite raven olja. Olje mora segati do oznake FULL (F) na merilni palici.
  5. Vstavite in privijte merilno palico za olje.

## Servisiranje zračnega filtra - **slika 11**



### OPOZORILO



**Gorivo in njegovi hlapi so izjemno vnetljivi in eksplozivni. Ogenj ali eksplozija lahko povzročita težke opekline ali smrt.**



- Motorja ne zaganjajte oziroma ga ne pustite teči, ko je odstranjen sestav zračnega filtra (če obstaja) ali zračni filter (če obstaja).

**OPOMBA:** Za čiščenje filtra ne uporabljajte stisnjene zraka ali topil. Zrak pod tlakom lahko poškoduje filter, topila pa ga raztopijo.

Za servisne zahteve si oglejte **Tabelo vzdrževanja**.

1. Odprite zapahe (A) in odstranite pokrov (B). Oglejte si sliko 11.
2. Odstranite matico (D) in zadrževalnik (E).
3. Odstranite zračni filter (F).
4. Odstranite predfilter (G), če obstaja, z zračnega filtra.
5. Če želite zrahljati in odstraniti delce, z zračnim filtrom rahlo potolcite ob trdo površino. Če je zračni filter prekomerno umazan, ga zamenjajte z novim.
6. Predfilter operite s tekočim detergentom in vodo. Nato pustite, da se povsem posuši na zraku. **Ne** oljite predfiltera.
7. Suhi predfilter namestite na zračni filter.
8. Namestite zračni filter in pričvrstite z zadrževalnikom in matico.
9. Namestite in pričvrstite pokrov.

## Zamenjava filtra za gorivo - **slika 12**



### OPOZORILO



**Gorivo in njegovi hlapi so izjemno vnetljivi in eksplozivni. Ogenj ali eksplozija lahko povzročita težke opekline ali smrt.**



- Gorivo hranite proč od virov iskrenja, odprtega ognja, kontrolnih lučk, toplote in drugih virov vžiga.
- Redno preverjajte morebitno puščanje vodov za gorivo, rezervoarja, pokrovčka in priključkov. Po potrebi jih zamenjajte.
- Pred zamenjavo filtra za gorivo izpraznite rezervoar za gorivo ali zaprite zaporni ventil za gorivo.
- Nadomestni deli morajo biti enaki in nameščeni na enakem položaju kot originalni deli
- Če se gorivo razlije, počakajte, da izhlapi, preden zaženete motor.

1. Pred zamenjavo filtra za gorivo (A, slika 12), če obstaja, izpraznite rezervoar za gorivo ali zaprite zaporni ventil za gorivo. V nasprotnem primeru gorivo lahko izteče in povzroči požar ali eksplozijo.
2. S kleščami stisnite jezičke (B) na objemkah (C), nato pa objemki potisnite stran od filtra za gorivo. Voda za gorivo (D) obrnite in povlecite s filtra za gorivo.
3. Voda za gorivo preverite zaradi morebitnih razpok ali luknjic. Po potrebi ju zamenjajte.
4. Filter za gorivo zamenjajte z originalnim nadomestnim filtrom.
5. Voda za gorivo pričvrstite z objemkama, kot je prikazano.

## Čiščenje sistema za zračno hlajenje - **slika 13**



### OPOZORILO



**Delujoči motorji se segrevajo. Deli motorja, posebej izpuh, se močno segrejejo.**



**Ob dotiku lahko pride do težkih opeklin.**

**Vnetljivi odpadki, kot so listje, trava, dračje itd., se lahko vnamejo.**

- Pustite, da se izpuh, valj motorja in hladilna rebra ohladijo, preden se jih dotaknete.
- Odstranite material, ki se je nabral na območju izpuha in valja.

**OPOMBA:** Za čiščenje motorja ne uporabljajte vode. Voda lahko onesnaži sistem za gorivo. Motor čistite s ščetko ali suho krpo.

Ta motor je zračno hlajen. Umazanija ali delci lahko ovirajo pretok zraka in povzročijo prekomerno segrevanje motorja, posledica česar je slabo delovanje in skrajšana življenjska doba motorja.

SS ščetko ali suho krpo odstranite delce s ščitnika za prste (A). Regulator, vzmeti in krmilni elementi (B) naj bodo čisti. Na območju okrog izpuha in za njim (C) naj ne bo vnetljivih odpadkov (slika 13). Na rebrih hladilnika olja (D) naj ne bo umazanije in odpadkov.

## Shranjevanje



### OPOZORILO

Gorivo in njegovi hlapi so izjemno vnetljivi in eksplozivni. Ogenj ali eksplozija lahko povzročita težke opekline ali smrt.

Pri shranjevanju goriva ali stroja z gorivom v rezervoarju

- Hranite proč od odprtega ognja, peči, grelcev za vodo ali drugih naprav, ki imajo kontrolno lučko ali drugi vir vžiga, ker lahko vžgejo hlape goriva.

### Sistem za gorivo

Gorivo se postara, ko je shranjeno več kot 30 dni. Staro gorivo povzroči nabiranje kislin in usedlin v sistemu za gorivo ali na pomembnih delih uplinjača. Za ohranitev svežega

goriva uporabite sredstvo za obdelavo goriva s stabilizatorjem goriva z izpopolnjeno formulo podjetja Briggs & Stratton, ki je na voljo tam, kjer prodajajo originalne nadomestne dele Briggs & Stratton.

Bencina ni treba izpustiti iz motorja, če je stabilizator za gorivo dodan v skladu z navodili. Pred shranjevanjem naj motor deluje 2 minuti, da stabilizator steče skozi sistem za gorivo.

Če bencinu v motorju ni bil dodan stabilizator za gorivo, ga morate izpustiti v odobreno posodo. Motor pustite teči, dokler se ne zaustavi zaradi pomanjkanja goriva. Uporaba stabilizatorja za gorivo v posodi za shranjevanje je priporočljiva za ohranitev svežosti.

### Motorno olje

Ko je motor še tople, zamenjajte motorno olje.

### Odpravljanje težav

Ali potrebujete pomoč? Pojdite na spletno stran [VanguardEngines.com](http://VanguardEngines.com) ali pokličite **1-800-999-9333** (v ZDA).

## Specifikacije

Specifikacije motorja	
Model	290000
Gibna prostornina	479 cm <sup>3</sup>
Vrtina valja	68 mm
Hod bata	66 mm
Kapaciteta posode za olje	1,36 - 1,42 l

Specifikacije motorja	
Model	300000
Gibna prostornina	479 cm <sup>3</sup>
Vrtina valja	68 mm
Hod bata	66 mm
Kapaciteta posode za olje	1,36 - 1,42 l

Nastavitvene specifikacije *	
Model	290000, 300000
Razmak med elektrodama vžigalne svečke	0,76 mm
Zatezni moment za vžigalno svečko	20 Nm
Zračna rega ohišja	0,20 - 0,30 mm
Reža sesalnega ventila	0,10 - 0,15 mm
Reža izpušnega ventila	0,10 - 0,15 mm

Specifikacije motorja	
Model	350000
Gibna prostornina	570 cm <sup>3</sup>
Vrtina valja	72 mm
Hod bata	70 mm
Kapaciteta posode za olje	1,36 - 1,42 l

Specifikacije motorja	
Model	380000
Gibna prostornina	627 cm <sup>3</sup>
Vrtina valja	75,5 mm
Hod bata	70 mm
Kapaciteta posode za olje	1,36 - 1,42 l

Nastavitvene specifikacije *	
Model	350000, 380000
Razmak med elektrodama vžigalne svečke	0,76 mm
Zatezni moment za vžigalno svečko	20 Nm
Zračna rega ohišja	0,20 - 0,30 mm
Reža sesalnega ventila	0,10 - 0,15 mm
Reža izpušnega ventila	0,10 - 0,15 mm

\* Moč motorja se zmanjša za 3,5 % na vsakih 300 metrov dodatne nadmorske višine in 1 % na vsakih 10° F (5,6° C) nad 77° F (25° C). Motor bo deloval zadovoljivo pod kotom do 15°. Za varno dovoljeno delovno območje na nagibih si oglejte priročnik za uporabo naprave.

### Običajni nadomestni deli ✓

Nadomestni del	Številka dela
Zračni filter – razen model: 358700, 380000	394018
Zračni filter – model: 358700, 380000	692519
Predfilter za zračni filter – razen model: 358700, 380000	272490
Predfilter za zračni filter – model: 358700, 380000	692520
Olje – SAE 30	100028
Oljni filter – 6 cm dolg	492932
Oljni filter – 9 cm dolg	491056

Nadomestni del	Številka dela
Filter za gorivo – z rezervoarjem za gorivo	808116
Filter za gorivo – s črpalko za gorivo	691035
Filter za gorivo – brez črpalke za gorivo	298090
Sredstvo za obdelavo goriva s stabilizatorjem goriva z izpopolnjeno formulo	100117, 100120
Uporovna vžigalna svečka	491055
Platinasta vžigalna svečka z dolgo življenjsko dobo	5066
Ključ za pritrditev vžigalne svečke	19374
Naprava za preizkušanje iskre	19368

✓ Priporočamo, da se obrnete na pooblaščen servis Briggs & Stratton za vsa vzdrževalna dela in servisiranje motorja in njegovih delov.

## OMEJENA GARANCIJA

Briggs & Stratton jamči, da bo v spodaj navedenem garancijskem obdobju brezplačno popravila ali nadomestila vsak del z napakami v materialu ali izdelavi ali obojim. Stroške za transport izdelkov, ki so bili posredovani v popravilo ali zamenjavo pod to garancijo, mora nositi kupec. Ta garancija velja za časovno obdobje in pod pogoji, ki so navedeni v nadaljevanju. Za popravilo v garancijskem roku poiščite najbližjo pooblaščenno servisno delavnico na zemljevidu naših licenčnih partnerjev na spletnem mestu BRIGGSandSTRATTON.COM. Kupec se mora obrniti na pooblaščenno servisno delavnico in jim nato omogočiti pregled in preverjanje izdelka.

**Ne obstaja nobena druga izrecna garancija. Nakazane garancije, vključno z garancijo tržnosti in uporabnosti za določen namen, so omejene na čas enega leta od nakupa, oziroma do roka, ki je zakonsko določen. Vse druge nakazane garancije so izključene. Odgovornost za naključno ali posledično škodo je izključena do meje, ki jo dovoljuje zakon.** Nekatere države ne dovoljujejo omejitve trajanja nakazane garancije, druge pa ne dovoljujejo omejitve ali izključitve naključnih in posledičnih poškodb, zato ni nujno, da se zgoraj omenjene omejitve in izključitve nanašajo na vas. Ta garancija vam zagotavlja posebne pravne pravice, lahko pa imate še druge pravice, ki se razlikujejo od države do države. \*\*

## STANDARDNI GARANCIJSKI POGOJI \* ▲

Znamka/Tip izdelka	Uporaba s strani kupca	Komercialna uporaba
Vanguard™ ■	3 leta	3 leta
Commercial Turf Series™	2 leti	2 leti
Motorji imajo litoželezno pušo Dura-Bore™	2 leti	1 leto
Vsi ostali Briggs & Strattonovi motorji	2 leti	90 dni

\* To so naši standardni garancijski pogoji, a občasno lahko objavimo dodatno garancijsko kritje, ki ni bilo določeno v času objave. Za seznam trenutnih garancijskih pogojev za vaš motor pojdite na BRIGGSandSTRATTON.COM ali se obrnite na Briggs & Strattonovo pooblaščenno servisno delavnico.

\*\* V Avstraliji – Naši izdelki imajo garancijo, ki je ni mogoče izključiti pod avstralskim pravom varstva potrošnikov. Upravičeni ste do zamenjave ali povračila za večjo okvaro in nadomestilo za katerokoli drugo razumno predvidljivo izgubo ali poškodbo. Upravičeni ste tudi do popravila ali zamenjave blaga, če to ni sprejemljive kakovosti in okvara ne velja za večjo okvaro. Za popravilo v garancijskem roku poiščite najbližjo pooblaščenno servisno delavnico na zemljevidu naših licenčnih partnerjev na BRIGGSandSTRATTON.COM oziroma pokličite 1300 274 447 ali pošljite e-pošto ali dopis na salesenquiries@briggsandstratton.com.au, Briggs & Stratton Australia Pty Ltd, 1 Moorebank Avenue, Moorebank, NSW, Australia, 2170.

▲ Garancija se ne daje za motorje na opremi, ki se uporabljajo za primarno napajanje namesto napajanja iz omrežja ali za rezervne generatorje, ki se uporabljajo v komercialne namene. V garancijo niso všteti motorji na tekmovalnih dirkah oz. na komercialnih ali najetih stezah.

■ Motor Vanguard, nameščen na generatorju v pripravljenosti: dvoletna garancija na uporabo s strani uporabnika, brez garancije na uporabo v komercialne namene. Motor Vanguard, nameščen v terenska vozila: dvoletna garancija na uporabo s strani uporabnika, dvoletna garancija na uporabo v komercialne namene. Trivaljni vodno hlajen motor Vanguard: oglejte si garancijski list za Briggs & Strattonov 3/LC motor.

Garancijska doba se začne, ko stroj kupi prvi kupec v prodaji na drobno ali končni komercialni uporabnik, in traja ves čas, naveden v zgornji tabeli. »Domača uporaba« pomeni osebno uporabo v gospodinjstvu s strani kupca, ki je napravo kupil v prodaji na drobno. »Komercialna uporaba« pomeni vse druge primere uporabe, vključno z uporabo za komercialne namene, pridobivanje prihodka ali najem. Če je motor enkrat uporabljen v komercialne namene, po tej garanciji spada v kategorijo motorjev za komercialno uporabo.

**Shranite račun kot dokazilo o nakupu. Če ob uveljavljanju popravila iz naslova garancije ne podate dokazila o datumu nakupa, se bo za določitev garancijskega obdobja uporabil datum proizvodnje. Za uveljavljanje popravila izdelkov Briggs & Stratton iz naslova garancije ni potrebna registracija izdelka.**

## Podatki o garanciji

Ta omejena garancija krije samo material, ki se nanaša na motor in/ali nepravilno delovanje, ne pa zamenjave opreme ali povračila stroškov za opremo, v katero je motor morda nameščen. V garanciji niso zajeti redno vzdrževanje, nastavitve, prilagoditve ali običajna obraba in okvare. Garancija prav tako ne velja za motorje, ki so bili spremenjeni ali predelani, ali je bila njihova serijska številka poškodovana oz. odstranjena. Garancija ne zajema uporabljene, ponovno usposobljene, rabljene ali predstavljene opreme ali motorjev. Garancija ne krije poškodb motorjev ali težav pri delovanju, ki so posledica:

- 1 uporabe delov, ki niso Briggs & Strattonovi originalni deli;
- 2 obratovanja motorja z nezadostno količino mazivnega olja, z onesnaženim mazivnim oljem ali nepravilnim razredom kakovosti mazivnega olja;
- 3 uporabe onesnaženega ali starega goriva, mešanice bencina z več kot 10 % etanola ali uporabe drugih goriv, npr. utekočinjenega petroleja ali zemeljskega plina v motorjih, ki jih podjetje Briggs & Stratton ni zasnovalo/proizvedlo za obratovanje s tovrstnimi gorivi;
- 4 nesnage, ki je vdrla v motor zaradi neprimerne vzdrževanja ali montaže čistilca zraka;

- 5 udarca ob predmet z rezilom rotacijske vrtnice kosilnice; zrahljanih ali nepravilno nameščenih adapterjev rezila, rotorjev ali drugih povezanih naprav gredi bloka motorja ali zaradi čezmerne zategnenosti klinastega jermena;
- 6 delov ali sklopov, kot so sklopke, prenosi, krmilniki opreme itn., ki jih ne dobavlja družba Briggs & Stratton;
- 7 pregrevanja zaradi pokošene trave, umazanije in tujkov ali gnezd glodavcev, ki mašijo ali ovirajo hladilne lamele ali območje vztrajnika, ali zaradi obratovanja motorja brez zadostnega prezračevanja;
- 8 čezmernih treslajev zaradi prevelike hitrosti, razrahljane pritrditve motorja, zrahljanih ali neuravnovešenih rezil ali rotorjev ali neprimerne spajanja komponent opreme na gred bloka motorja;
- 9 nepravilne uporabe, nerednega vzdrževanja, pošiljanja, rokovanja z opremo ali njenega skladiščenja oz. nepravilne namestitve motorja.

**Popravila v garancijskem roku so mogoča le na pooblaščenih servisih družbe Briggs & Stratton. Poiščite najbližjo pooblaščenno servisno delavnico na zemljevidu naših licenčnih partnerjev na spletni strani BRIGGSandSTRATTON.COM oziroma pokličite 1-800-233-3723 (v ZDA).**



**THE POWER WITHIN™**

Not for  
Reproduction