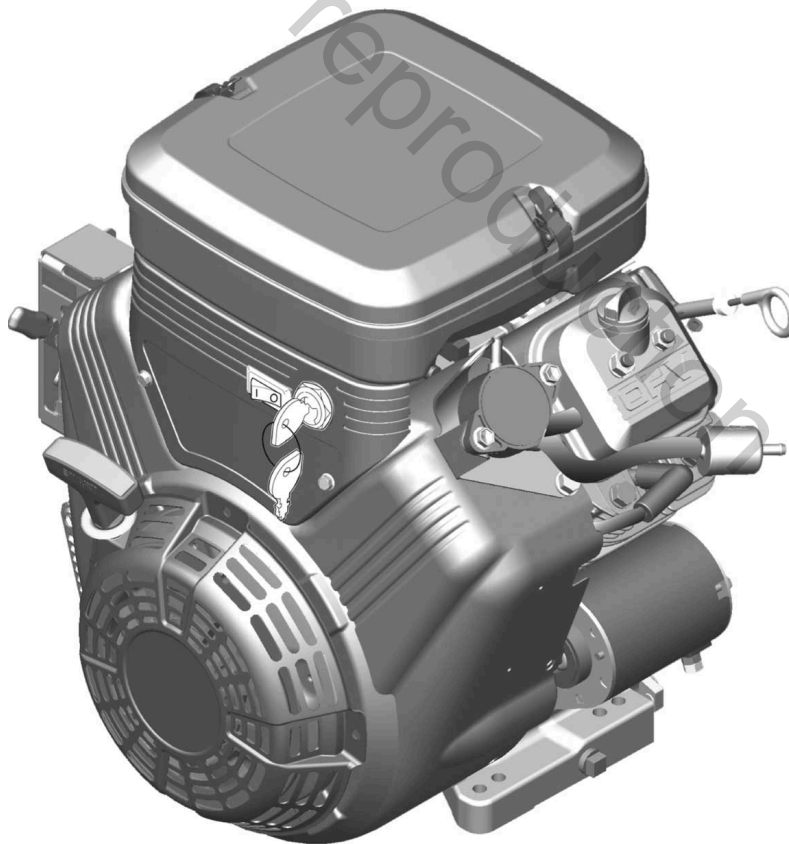


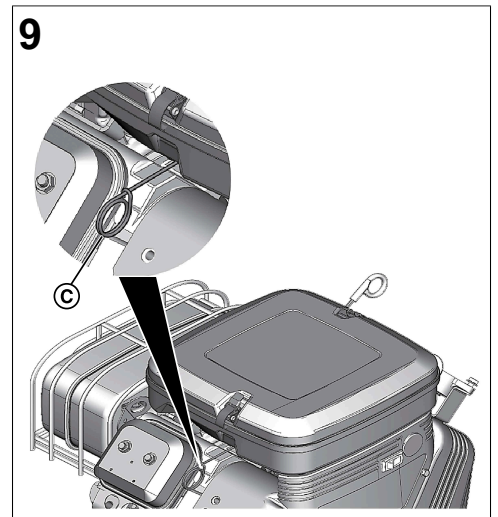
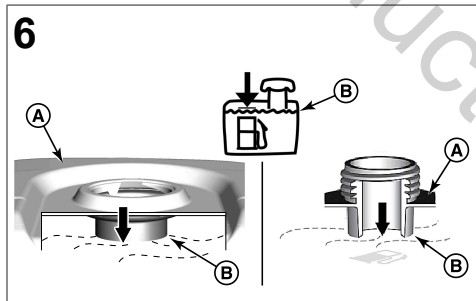
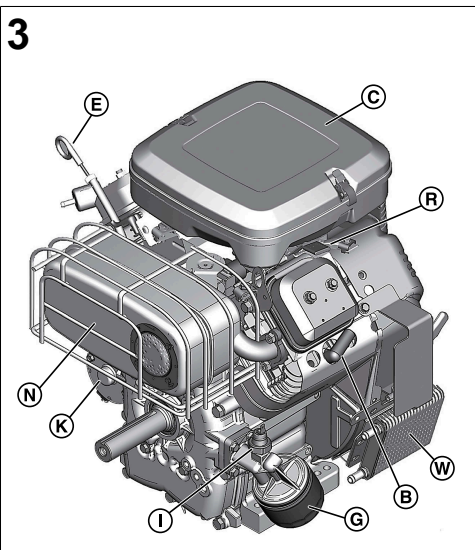
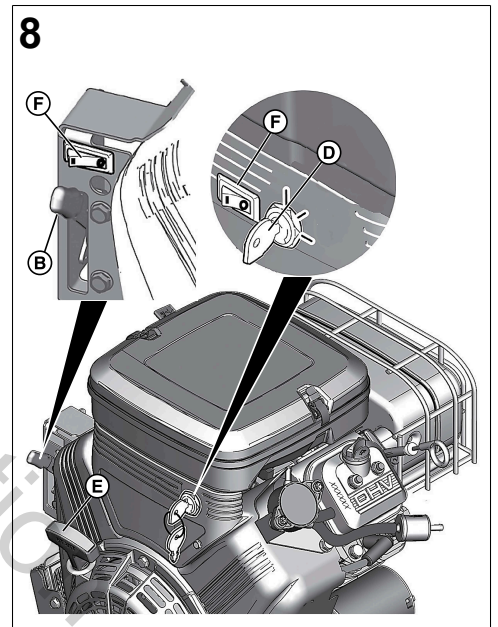
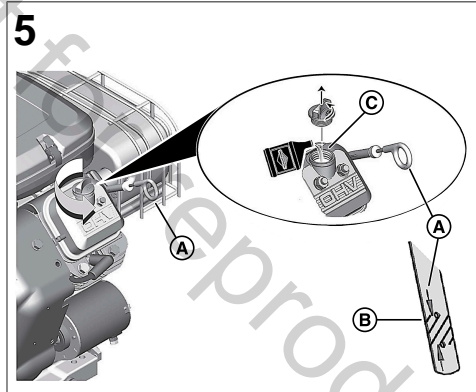
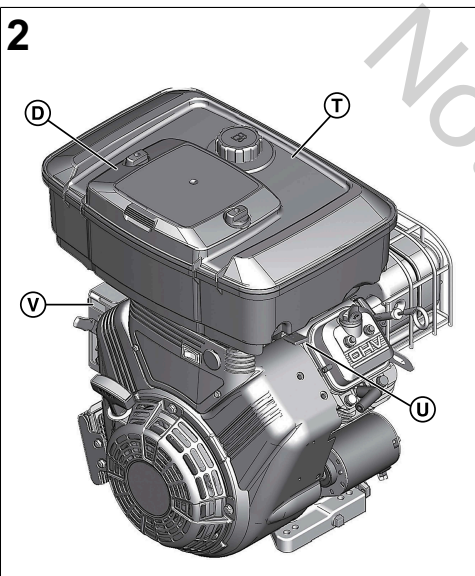
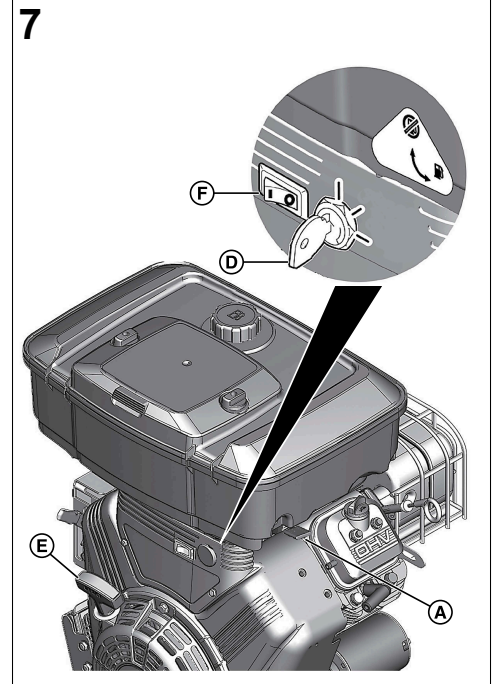
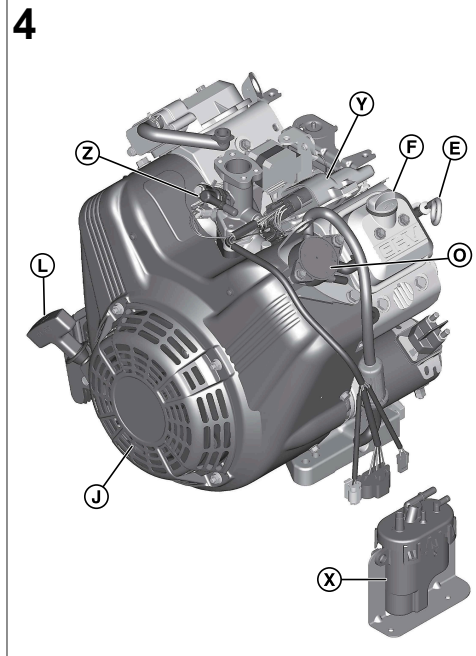
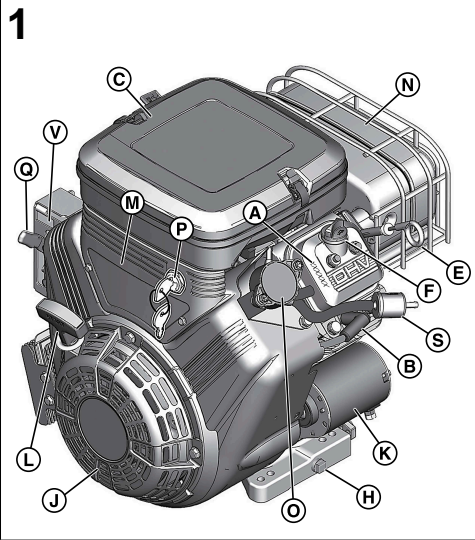
# VANGUARD®



- en Operator's Manual
- bg Инструкции за експлоатация
- cs Návod k obsluze
- et Kasutusjuhend
- hr Priručnik za operatora
- hu Kezelési útmutató
- it Naudojimo instrukcija
- lv Operatora rokasgrāmata
- pl Instrukcja obsługi
- ro Manual de utilizare
- ru Руководство по эксплуатации
- sk Návod na obsluhu
- sl Priročnik za uporabo
- tr Kullanma Kilavuz

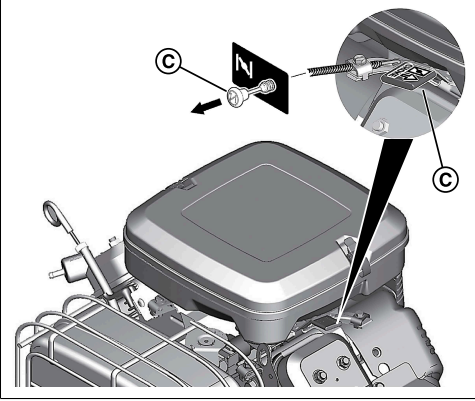
290000, 300000, 350000, 380000



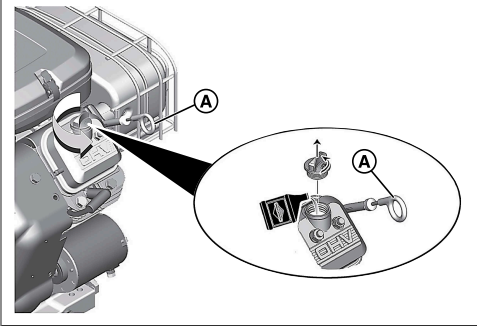




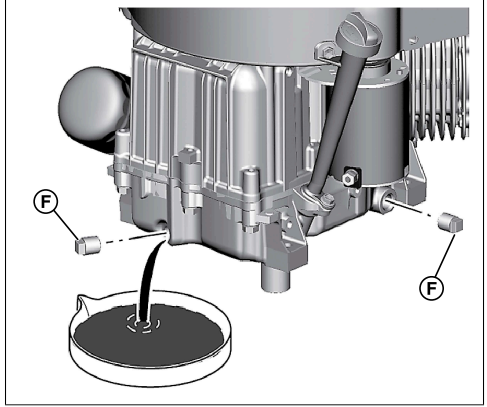
10



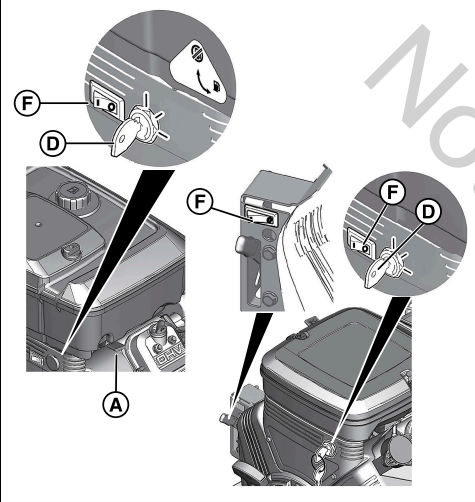
14



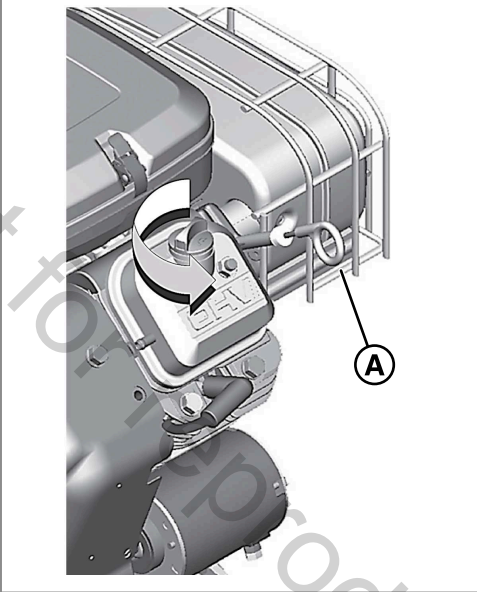
17



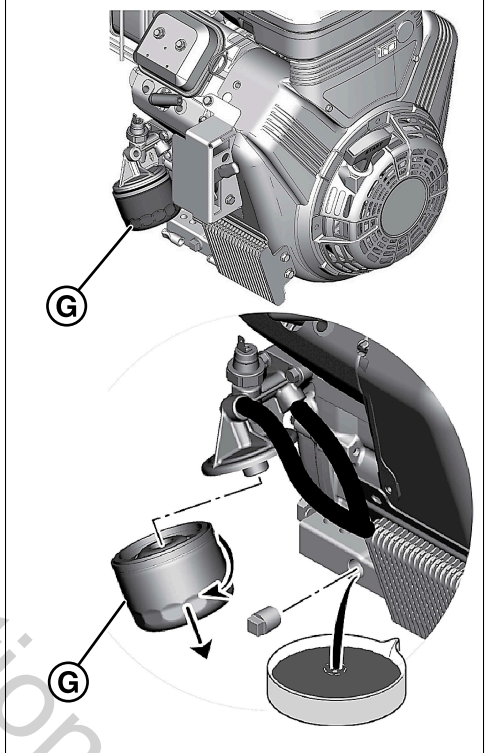
11



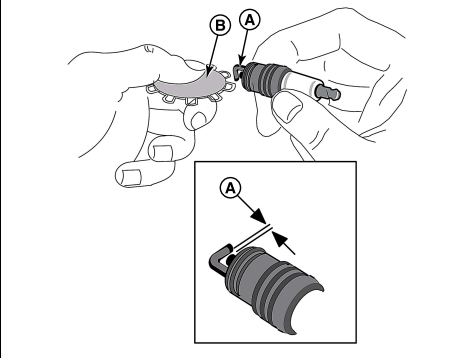
15



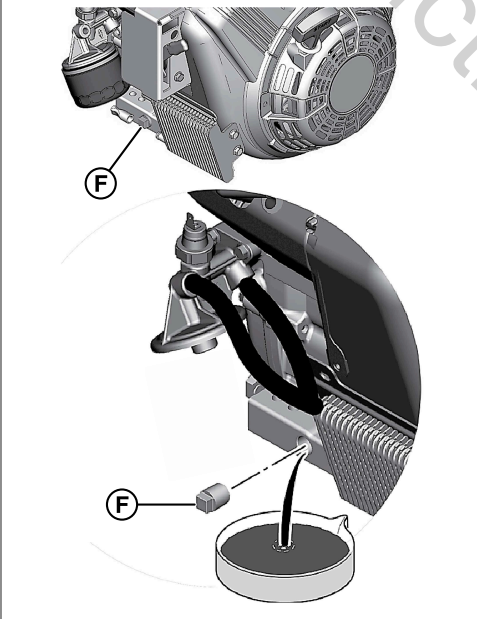
18



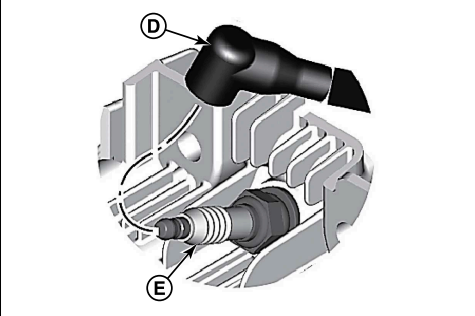
12



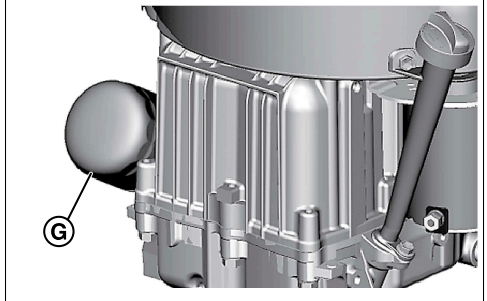
16



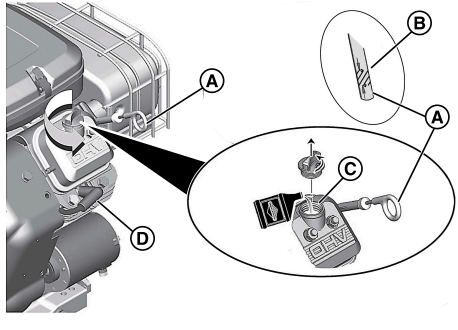
13



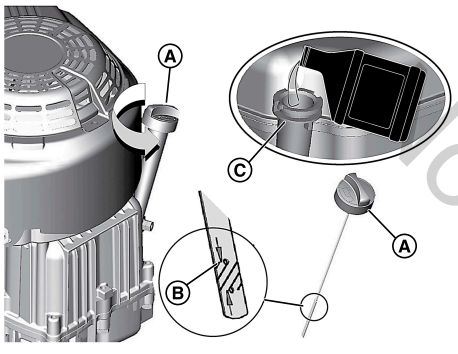
19



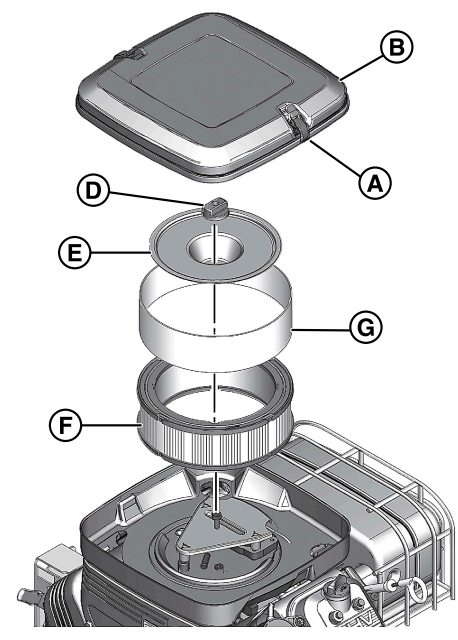
20



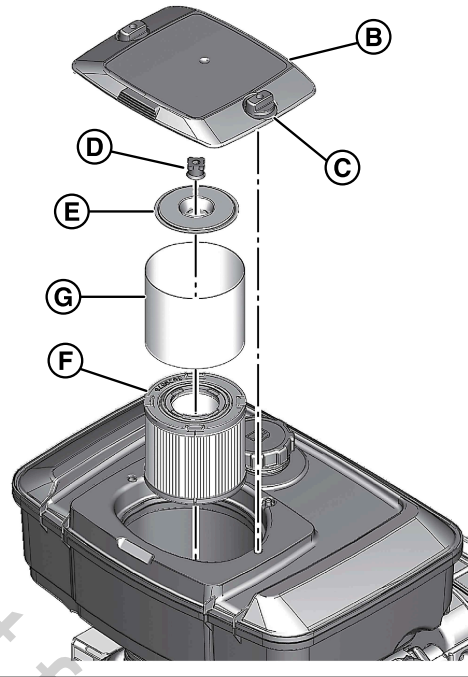
21



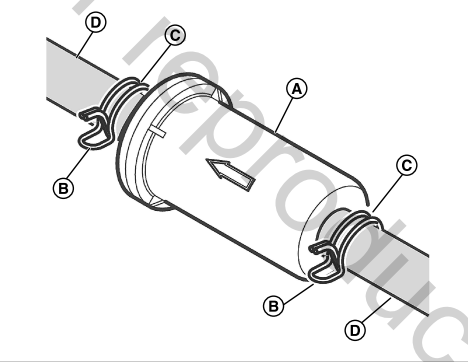
22



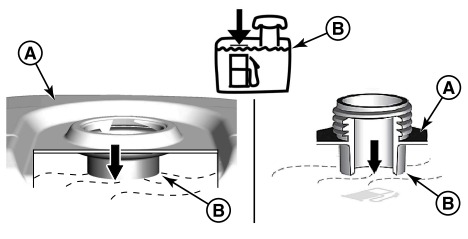
23



24



25





## General Information



This manual contains the safety information about the hazards and risks related to the engine and how to prevent them. It also contains the correct operation and maintenance of this engine. It is important that you read, understand, and obey these instructions. **Keep this manual for future reference.**

**NOTE:** The figures and illustrations in this manual are for information only and can be different from your model. Use the figures that align with your engine configuration. If it is necessary, speak to an Authorized Service Dealer.

Record the date of purchase, engine model, type, trim, and the engine serial number for replacement parts. These numbers are on your engine. Refer to the **Features and Controls** section.

Date of Purchase	
Engine Model - Type - Trim	
Engine Serial Number	

## European Office Contact Information

For questions related to European emissions, contact our European office at:

Max-Born-Straße 2, 68519 Viernheim, Germany.

## European Union (EU) Stage V (5): Carbon Dioxide (CO<sub>2</sub>) Values

Enter CO<sub>2</sub> in the search window on BriggsandStratton.com to find carbon dioxide values of Briggs & Stratton EU Type-Approval Certificate engines.

## Recycling Information



Recycle all cartons, boxes, used oil, and batteries as specified by government regulations.

## Operator Safety

### Safety Alert Symbol and Signal Words



The safety alert symbol identifies safety information about hazards that could result in personal injury. A signal word (**DANGER**, **WARNING**, or **CAUTION**) is used to indicate the likelihood and the potential severity of injury. In addition, a hazard symbol is used to represent the type of hazard.

**DANGER** indicates a hazard which, if not avoided, **will** result in death or serious injury.

**WARNING** indicates a hazard which, if not avoided, **could** result in death or serious injury.

**CAUTION** indicates a hazard which, if not avoided, **could** result in minor or moderate injury.

**NOTICE** indicates information considered important but not hazard-related.

## Hazard Symbols and Meanings

	Safety information about hazards that can result in personal injury.		Read and understand the Operator's Manual before operating or servicing the unit.
	Fire Hazard		Explosion Hazard
	Shock Hazard		Toxic Fume Hazard
	Hot Surface Hazard		Kickback Hazard

	Amputation Hazard - Moving Parts		Fuel Level - Maximum Do Not Overfill
--	----------------------------------	--	--------------------------------------

## Safety Messages



**WARNING** Briggs & Stratton® Engines are not designed for and are not to be used to power: fun-karts; go-karts; children's, recreational, or sport all-terrain vehicles (ATVs); motorbikes; hovercraft; aircraft products; or vehicles used in competitive events not sanctioned by Briggs & Stratton. For information about competitive racing products, see [www.briggsracing.com](http://www.briggsracing.com). For use with utility and side-by-side ATVs, please contact Briggs & Stratton Power Application Center, 1-866-927-3349. Incorrect engine use could result in serious injury or death.



**WARNING** Fuel and its vapors are flammable and explosive. Fire or explosion could result in burns or death.

### When you add fuel

- Stop the engine. Before you remove the fuel cap, wait a minimum of two (2) minutes to make sure that the engine is cool.
- Fill the fuel tank outdoors or in an area that has good airflow.
- Do not put too much fuel in the tank. For expansion of the fuel, do not fill above the bottom of the fuel tank neck.
- Keep fuel away from sparks, open flames, pilot lights, heat, and other ignition sources.
- Frequently examine the fuel lines, fuel tank, fuel cap, and connections for cracks or leaks. Replace damaged parts.
- If fuel spills, wait until it dries before you start the engine.

### When you start the engine

- Make sure that the spark plug, muffler, fuel cap and air cleaner (if equipped) are correctly installed.
- Do not crank the engine with the spark plug removed.
- If the engine is flooded, set the choke (if equipped) to the OPEN or RUN position. Move the throttle (if equipped) to the FAST position and crank until the engine starts.
- If there is natural or LP gas leakage in the area, do not start the engine.
- Because vapors are flammable, do not use pressurized starter fluids.

### When you operate the equipment

- Do not tilt the engine or the equipment at an angle which causes fuel to spill.
- Do not choke the carburetor (if equipped) to stop the engine.
- Do not start or operate the engine with the air cleaner (if equipped) or the air filter (if equipped) removed.

### When you do maintenance

- If you drain the oil from the top oil fill tube, the fuel tank must be empty. If it is not empty, fuel leakage can occur and could result a fire or an explosion.
- During maintenance if it is necessary to tilt the unit, make sure that the fuel tank, if mounted on the engine, is empty and that the spark plug side is up. If the fuel tank is not empty, leakage can occur and could result a fire or an explosion.
- Frequently examine the fuel lines, fuel tank, fuel cap, and connections for cracks or leaks. Replace damaged parts.
- Do not change the governor spring, links or other parts to increase engine speed.
- Do not hit the flywheel with a hammer or hard object. This could result in failure of the flywheel during operation.
- Replacement parts must be of the same design and installed in the same position as the original parts. Other parts could result in damage or an injury.

### When you move the location of equipment

- Make sure that the fuel tank is EMPTY or that the fuel shut-off valve is in the CLOSED position.

### When fuel or equipment is in storage with fuel in the fuel tank

- Because pilot lights or other ignition sources can cause explosions, keep fuel or equipment away from furnaces, stoves, water heaters or other appliances that have pilot lights.



**WARNING**  
Fuel and its vapors are flammable and explosive. Fire or explosion could result in burns or death.

Engine start-up causes spark that could result in a fire or explosion.

- If there is natural or LP gas leakage in the area, do not start the engine.
- Because vapors are flammable, do not use pressurized starter fluids.



**WARNING**  
**POISONOUS GAS HAZARD.** Engine exhaust contains carbon monoxide, a poisonous gas that could kill you in minutes. Although you do not smell exhaust fumes, you could still be exposed to dangerous carbon monoxide gas. If you feel sick, dizzy, or weak while you use this product, get to fresh air **RIGHT AWAY**. See a doctor. You may have carbon monoxide poisoning.

- Carbon monoxide gas can collect in occupied spaces. To reduce the risk of carbon monoxide gas, **ONLY** operate this product outdoors and far away from windows, doors and vents.
- Install battery-operated carbon monoxide alarms or plug-in carbon monoxide alarms with battery back-up as specified by the manufacturer's instructions. Smoke alarms cannot sense carbon monoxide gas.
- **DO NOT** operate this product in homes, garages, basements, crawlspaces, sheds, or other closed spaces, even if you use fans or open doors and windows for ventilation. After the operation of this product, carbon monoxide can quickly collect in these spaces and stay for hours.
- **ALWAYS** put this product downwind and point the engine exhaust away from occupied spaces.



**WARNING**  
Fast retraction of the starter cord (kickback) will pull your hand and arm to the engine faster than you can let go. Broken bones, fractures, bruises or sprains could result.

- To prevent kickback when you start the engine, pull the starter cord slowly until resistance is felt and then pull quickly.
- Before you start the engine, disconnect or remove all external equipment and engine loads.
- Make sure that direct-coupled equipment components, such as, but not limited to, blades, impellers, pulleys, and sprockets, are correctly attached.



**WARNING**  
Rotating parts can entangle hands, feet, hair, clothing, or accessories and result in traumatic amputation or laceration.

- Operate equipment with the guards correctly installed.
- Keep hands and feet away from rotating parts.
- Remove jewelry and make sure that long hair is away from all rotating parts.
- Do not wear loose clothes or items that could become caught.



**WARNING**  
During operation, the engine and muffler become hot. If you touch a hot engine, thermal burns can occur.

Combustible materials, such as leaves, grass and brush, can catch fire.

- Before you touch the engine or muffler, stop the engine and wait two (2) minutes. Make sure that the engine and muffler are safe to touch.
- Remove debris from the muffler and engine.

It is a violation of California Public Resource Code, Section 4442, to use or operate the engine on any forest-covered, brush-covered, or grass-covered land unless the exhaust system is equipped with a spark arrester, as defined in section 4442, maintained in effective working order. Other states or federal jurisdictions may have similar laws; reference Federal Regulation 36 CFR Part 261.52. Contact the original equipment manufacturer, retailer, or dealer to obtain a spark arrester designed for the exhaust system installed on this engine.



**WARNING**  
Accidental engine spark can cause an electric shock, fire or explosion and could result in entanglement, traumatic amputation or laceration.

Before you make adjustments or repairs:

- Disconnect all spark plug wires and keep them away from the spark plugs.
- Disconnect the battery wire from the negative battery terminal (only engines with electric start).
- Use only the correct tools.

When you check for spark:

- Use an approved spark plug tester.
- Do not check for spark with the spark plug removed.



**WARNING**  
Fuel vapors are flammable and explosive. Fire or explosion could result in burns or death.

If you smell gas

- Do not start the engine.
- Do not switch on electrical switches.
- Do not use a phone in the vicinity.
- Evacuate the area.
- Contact the gas supplier or the fire department.

## Features and Controls









### Engine Controls

Compare the callout letters in Figures 1, 2, 3, and 4 to the engine controls in the list that follows:

- A. Engine Identification Numbers **Model - Type - Code**
- B. Spark Plug
- C. Air Cleaner (without Fuel Tank)
- D. Air Cleaner (with Fuel Tank)
- E. Dipstick
- F. Oil Fill
- G. Oil Filter (if installed)
- H. Oil Drain Plug
- I. Oil Pressure Sensor
- J. Finger Guard
- K. Electric Starter
- L. Rewind Starter (if installed)
- M. Carburetor - Carburetor Models
- N. Muffler
- O. Fuel Pump
- P. Starter Switch<sup>1</sup>
- Q. Throttle Control<sup>1</sup>
- R. Choke Control<sup>1</sup>
- S. Fuel Filter (if installed)
- T. Fuel Tank
- U. Fuel Shut-Off (if installed)<sup>1</sup>
- V. Stop Switch (if installed)<sup>1</sup>
- W. Oil Cooler (if installed)
- X. Fuel Pump Module - EFI Models
- Y. Electronic Control Module - EFI Models
- Z. Fuel Injector - EFI Models

<sup>1</sup> Some engines and equipment have remote controls. See the equipment manual for location and operation of remote controls.

## Engine Control Symbols and Meanings

 Engine Speed - FAST	 Engine Speed - SLOW
 Engine Speed - STOP	 ON - OFF
 Engine Start Choke CLOSED	 Engine Start Choke OPEN
 Fuel Cap Fuel Shut-off OPEN	 Fuel Shut-off CLOSED

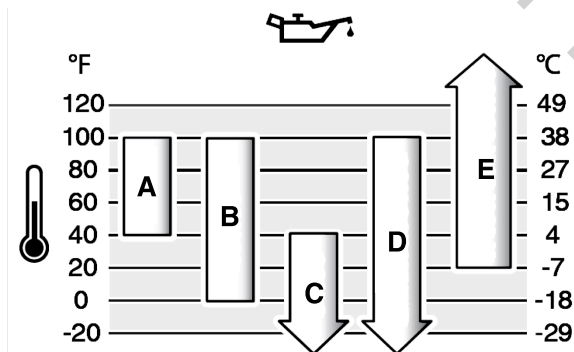
## Operation

### Oil Recommendations

**Oil Capacity:** Refer to the **Specifications** section.

We recommend the use of Briggs & Stratton® Warranty Certified oils for best performance. Other high-quality detergent oils are permitted if classified for service SF, SG, SH, SJ or higher. Do not use special additives.

Use the chart to select the best viscosity for the outdoor temperature range expected. Engines on most outdoor power equipment operate good with 5W-30 Synthetic oil. For equipment operated in hot temperatures, Vanguard® 15W-50 Synthetic oil gives the best protection.



<b>A</b>	<b>SAE 30</b> - Below 40 °F (4 °C) the use of SAE 30 will result in hard starting.
<b>B</b>	<b>10W-30</b> - Above 80 °F (27 °C) the use of 10W-30 may cause increased oil consumption. Check the oil level frequently.
<b>C</b>	<b>5W-30</b>
<b>D</b>	<b>Synthetic 5W-30</b>
<b>E</b>	<b>Vanguard® Synthetic 15W-50</b>

### Check the Oil Level

**Before you check or add oil**

- Make sure the engine is level.
- Clean the oil fill area of debris.
- Refer to the **Specifications** section for oil capacity.

#### NOTICE

This engine was shipped from Briggs & Stratton without oil. Equipment manufacturers or dealers could have added oil to the engine. Before you start the engine for the first time, make sure that the oil is at the correct level. Add oil as specified by the instructions in this manual. If you start the engine without oil, damage will occur and the engine will not be repaired under warranty.

1. Remove the dipstick (A, Figure 5) and clean with a cloth.
2. Install and tighten the dipstick (A, Figure 5).
3. Remove the dipstick and check the oil level. Make sure that the oil level is at the top of the full indicator (B, Figure 5) on the dipstick.
4. If the oil level is low, slowly add oil into the engine oil fill (C, Figure 5). Do not add too much oil.

5. Wait one minute and check the oil level again. Make sure that the oil level is correct.
6. Install and tighten the dipstick (A, Figure 5).

### Low Oil Protection System (if installed)

A low oil sensor is installed on some engines. If the oil is low, the sensor will show a warning light or stop the engine. Stop the engine and do the steps that follow before you start the engine.

- Make sure that the engine is level.
- Do an oil check. Refer to the **Check Oil Level** section.
- If the oil level is low, add the correct amount of oil. Start the engine and make sure that the warning light (if installed) does not come on.
- If the oil level is not low, do not start the engine. Contact a Briggs & Stratton Authorized Service Dealer to correct the oil problem.

### Fuel Recommendations

**Fuel must meet these requirements:**

- Clean, fresh, unleaded gasoline.
- A minimum of 87 octane/87 AKI (91 RON). High altitude use, see below.
- Gasoline with up to 10% ethanol (gasohol) is permitted.

#### NOTICE

Do not use unapproved gasoline, such as E15 and E85. Do not mix oil in gasoline or change the engine to operate on alternate fuels. Use of unapproved fuels could result in damage to engine components, which will not be repaired under the warranty.

To protect the fuel system from gum formation, and corrosion, mix an alcohol-free fuel stabilizer and ethanol treatment into the fuel. Refer to the **Storage** section. All fuel is not the same. If start or performance problems occur, change fuel providers or brands. This engine is certified to operate on gasoline. The emissions control system for carbureted engines is EM (Engine Modifications). The emissions control systems for engines with electronic fuel injection are ECM (Engine Control Module), MFI (Multiport Fuel Injection), TBI (Throttle Body Fuel Injection) and if equipped an O2S (Oxygen Sensor).

#### High Altitude

At altitudes over 5,000 feet (1524 meters), a minimum 85 octane/85 AKI (89 RON) gasoline is permitted.

For carbureted engines, high altitude adjustment is required to maintain performance. Operation without this adjustment will cause decreased performance, increased fuel consumption, and increased emissions. Contact a Briggs & Stratton Authorized Service Dealer for high altitude adjustment information. Operation of the engine at altitudes below 2,500 feet (762 meters) with the high altitude adjustment is not recommended.

For Electronic Fuel Injection (EFI) engines, no high altitude adjustment is necessary.

### Add Fuel



#### WARNING

**Fuel and its vapors are flammable and explosive. Fire or explosion could result in burns or death.**

**When you add fuel**

- Stop the engine. Before you remove the fuel cap, wait a minimum of two (2) minutes to make sure that the engine is cool.
- Fill the fuel tank outdoors or in an area that has good airflow.
- Do not put too much fuel in the tank. For expansion of the fuel, do not fill above the bottom of the fuel tank neck.
- Keep fuel away from sparks, open flames, pilot lights, heat, and other ignition sources.
- Frequently examine the fuel lines, fuel tank, fuel cap, and connections for cracks or leaks. Replace damaged parts.
- If fuel spills, wait until it dries before you start the engine.

1. Clean the fuel cap area of dirt and debris. Remove the fuel cap.
2. Fill the fuel tank (A, Figure 6) with fuel. Because fuel will expand, do not fill above the bottom of the fuel tank neck (B).
3. Install the fuel cap.



## Start the Engine



### WARNING

**POISONOUS GAS HAZARD.** Engine exhaust contains carbon monoxide, a poisonous gas that could kill you in minutes. Although you do not smell exhaust fumes, you could still be exposed to dangerous carbon monoxide gas. If you feel sick, dizzy, or weak while you use this product, get to fresh air RIGHT AWAY. See a doctor. You may have carbon monoxide poisoning.

- Carbon monoxide gas can collect in occupied spaces. To reduce the risk of carbon monoxide gas, ONLY operate this product outdoors and far away from windows, doors and vents.
- Install battery-operated carbon monoxide alarms or plug-in carbon monoxide alarms with battery back-up as specified by the manufacturer's instructions. Smoke alarms cannot sense carbon monoxide gas.
- DO NOT operate this product in homes, garages, basements, crawlspaces, sheds, or other closed spaces, even if you use fans or open doors and windows for ventilation. After the operation of this product, carbon monoxide can quickly collect in these spaces and stay for hours.
- ALWAYS put this product downwind and point the engine exhaust away from occupied spaces.



### WARNING

**Fuel and its vapors are flammable and explosive.** Fire or explosion could result in burns or death.

#### When you start the engine

- Make sure that the spark plug, muffler, fuel cap and air cleaner (if equipped) are correctly installed.
- Do not crank the engine with the spark plug removed.
- If the engine is flooded, set the choke (if equipped) to the OPEN or RUN position. Move the throttle (if equipped) to the FAST position and crank until the engine starts.
- If there is natural or LP gas leakage in the area, do not start the engine.
- Because vapors are flammable, do not use pressurized starter fluids.



### WARNING

**Rotating parts can entangle hands, feet, hair, clothing, or accessories and result in traumatic amputation or laceration.**

- Operate equipment with the guards correctly installed.
- Keep hands and feet away from rotating parts.
- Remove jewelry and make sure that long hair is away from all rotating parts.
- Do not wear loose clothes or items that could become caught.



### WARNING

**Fast retraction of the starter cord (kickback) will pull your hand and arm to the engine faster than you can let go. Broken bones, fractures, bruises or sprains could result.**

- To prevent kickback when you start the engine, pull the starter cord slowly until resistance is felt and then pull quickly.
- Before you start the engine, disconnect or remove all external equipment and engine loads.
- Make sure that direct-coupled equipment components, such as, but not limited to, blades, impellers, pulleys, and sprockets, are correctly attached.

#### Types of Start Systems

Before you start the engine, you must know the type of start system on your engine. Your engine has one of these types of systems.

- **Electronic Fuel Injection (EFI) System:** An EFI system does not have a choke or a primer.
- **Electronic Fuel Management System:** An Electronic Fuel Management system has an Electronic Control Unit that monitors engine and temperature conditions. It does not have a manual choke or a primer.
- **Choke System:** This type of system has a choke to be used in cool temperatures. Some models have a separate choke control, but some have a combination choke and throttle choke. This type does not have a primer.

**NOTE:** Your equipment could have remote controls. Refer to the equipment manual for the location and operation of remote controls.

### Electronic Fuel Injection (EFI) System

1. Check the engine oil. See the **Check Oil Level** section.
2. Make sure equipment drive controls, if equipped, are disengaged.
3. Move the fuel shut-off (A, Figure 7), if equipped, to the OPEN position.

4. Push the stop switch (F, Figures 7, 8), if equipped, to the ON position.
5. Move the throttle control (B, Figure 8), if equipped, to the FAST position. Operate the engine in the FAST position.
6. **Rewind Start, if equipped with key switch:** Turn the key switch (D, Figures 7, 8) to the ON position.
7. **Rewind Start, if equipped:** Tightly hold the starter cord handle (E, Figures 7, 8). Pull the starter cord handle slowly until resistance is felt, then pull quickly.



### WARNING

Fast retraction of the starter cord (kickback) will pull your hand and arm to the engine faster than you can let go. Broken bones, fractures, bruises or sprains could result. To prevent kickback when you start the engine, pull the starter cord slowly until resistance is felt and then pull quickly.

8. **Electric Start, if equipped:** Turn the electric start switch (D, Figures 7, 8) to the ON or START position.

**NOTICE** To extend the life of the starter, use short start cycles (five seconds maximum). Wait one minute between start cycles.

If the engine does not start after 3 or 4 times, contact your local dealer or go to [vanguardpower.com](http://vanguardpower.com) or call 1-800-999-9333.

### Electronic Fuel Management System

1. Check the engine oil. See the **Check Oil Level** section.
2. Make sure equipment drive controls, if equipped, are disengaged.
3. Move the fuel shut-off (A, Figure 7), if equipped, to the OPEN position.
4. Push the stop switch (F, Figures 7, 8), if equipped, to the ON position.
5. Move the throttle control (B, Figure 8), if equipped, to the FAST position. Operate the engine in the FAST position.
6. **Rewind Start, if equipped with key switch:** Turn the key switch (D, Figures 7, 8) to the ON position.
7. **Rewind Start, if equipped:** Tightly hold the starter cord handle (E, Figures 7, 8). Pull the starter cord handle slowly until resistance is felt, then pull quickly.



### WARNING

Fast retraction of the starter cord (kickback) will pull your hand and arm to the engine faster than you can let go. Broken bones, fractures, bruises or sprains could result. To prevent kickback when you start the engine, pull the starter cord slowly until resistance is felt and then pull quickly.

8. **Electric Start, if equipped:** Turn the electric start switch (D, Figures 7, 8) to the ON or START position.

**NOTICE** To extend the life of the starter, use short start cycles (five seconds maximum). Wait one minute between start cycles.

If the engine does not start after 3 or 4 times, contact your local dealer or go to [vanguardpower.com](http://vanguardpower.com) or call 1-800-999-9333.

### Choke System

1. Check the engine oil. See the **Check and Add Oil Level** section.
2. Make sure equipment drive controls, if equipped, are disengaged.
3. Move the fuel shut-off (A, Figure 7), if equipped, to the OPEN position.
4. Push the stop switch (F, Figures 7, 8), if equipped, to the ON position.
5. Move the throttle control (B, Figures 7), if equipped, to the FAST position. Operate the engine in the FAST position.
6. Move the choke control (C, Figures 9, 10) to the CLOSED position.

**NOTE:** The choke is usually not necessary when you start a warm engine.

7. **Rewind Start, if equipped with key switch:** Turn the key switch (D, Figures 7, 8) to the ON position.

- Rewind Start, if equipped:** Tightly hold the starter cord handle (E, Figures 7, 8). Pull the starter cord handle (E) slowly until resistance is felt, then pull it quickly.



**WARNING**

Fast retraction of the starter cord (kickback) will pull your hand and arm to the engine faster than you can let go. Broken bones, fractures, bruises or sprains could result. To prevent kickback when you start the engine, pull the starter cord slowly until resistance is felt and then pull quickly.

- Electric Start, if equipped:** Turn the key switch (D, Figures 7, 8) to the ON or START position.

**NOTICE**

To extend the life of the starter, use short start cycles (five seconds maximum). Wait one minute between start cycles.

- As the engine warms, move the choke control (C, Figures 9, 10) to the OPEN position.

**NOTE:** If the engine does not start after 2-3 attempts, contact your local dealer or go to [vanguardpower.com](http://vanguardpower.com) or call 1-800-999-9333.

## Stop the Engine



**WARNING**

Fuel and its vapors are flammable and explosive. Fire or explosion could result in burns or death.

- Do not choke the carburetor (if equipped) to stop the engine.
- Stop Switch, if equipped:** Move the stop switch (F, Figure 11) to the OFF position.
  - Key Switch, if equipped:** With the throttle control, if equipped, in the SLOW position, turn the key switch (D, Figure 11) to the OFF position. Remove the key and it in a safe location out of reach of children.
  - After the engine stops, move the fuel shut-off (A, Figure 11), if equipped, to the CLOSED position.

## Maintenance

### Maintenance Information



**WARNING**

Fuel and its vapors are flammable and explosive. Fire or explosion could result in burns or death.

During maintenance if it is necessary to tilt the unit, make sure that the fuel tank, if mounted on the engine, is empty and that the spark plug side is up. If the fuel tank is not empty, leakage can occur and could result in a fire or an explosion. If the engine is tilted in a different direction, it will not easily start because of oil or fuel contamination of the air filter or the spark plug.



**WARNING**

Accidental engine spark can cause an electric shock, fire or explosion and could result in entanglement, traumatic amputation or laceration.

**Before you make adjustments or repairs:**

- Disconnect all spark plug wires and keep them away from the spark plugs.
- Disconnect the battery wire from the negative battery terminal (only engines with electric start).
- Use only the correct tools.

**When you check for spark:**

- Use an approved spark plug tester.
- Do not check for spark with the spark plug removed.



**WARNING**

All the components used to assemble this engine must stay in the initial position for correct operation. Damage or injury can occur if you use incorrect parts or you do not replace all parts on the engine.

- Replacement parts must be of the same design and installed in the same position as initial parts.
- If installed, do not change the governor spring, links, or other parts to increase the engine speed.

See a Briggs & Stratton Authorized Service Dealer for all maintenance and servicing of the engine and engine parts.

## Emissions Control Service

For maintenance, replacement, or repair of emissions control devices and systems, contact a qualified off-road engine repair establishment or service technician. However, for "no charge" emissions control service, the work must be done by a factory authorized dealer. Refer to the Emissions Control Statements.

## Maintenance Schedule

Intervals of 8 Hours or Daily
<ul style="list-style-type: none"> <li>Check the engine oil level.</li> <li>Clean the area around the muffler and controls.</li> </ul>
Intervals of 100 Hours or Annually
<ul style="list-style-type: none"> <li>Replace the spark plugs.</li> <li>Change the engine oil.</li> <li>Replace the oil filter (if installed).</li> <li>Service the air filter<sup>1</sup>.</li> <li>Clean the pre-cleaner (if installed)<sup>1</sup>.</li> <li>Service the exhaust system.</li> </ul>
Intervals of 250 Hours or Annually
<ul style="list-style-type: none"> <li>Check the valve clearance. Adjust if necessary.</li> </ul>
Intervals of 400 Hours or Annually
<ul style="list-style-type: none"> <li>Replace the air filter.</li> <li>Replace the fuel filter.</li> <li>Service the air cooling system<sup>1</sup>.</li> <li>Clean the oil cooler fins<sup>1</sup>.</li> </ul>

<sup>1</sup> Clean more frequently in dusty conditions or when many particles are in the air.

## Electronic Fuel Injection (EFI) System

The EFI System monitors engine temperature, engine speed, and battery voltage for engine start-up and warm-up. There are no adjustments on the system. If start-up or operation problems occur, contact a Briggs & Stratton Authorized Service Dealer.

**NOTICE** Make sure to obey the steps that follow or damage to the EFI system could occur.

- DO NOT start the engine if the battery cables are loose.
- Turn the key to the OFF position before you disconnect, remove, and / or install the battery.
- DO NOT use a battery charger to start the engine.
- DO NOT disconnect the battery cables during engine operation.
- When you disconnect the battery cables, first connect the positive (+) cable, and then connect the negative (-) cable to the battery.
- When you charge the battery, turn the ignition switch to the OFF position, and disconnect the negative (-) battery cable from the battery.
- DO NOT spray water directly on the Electronic Control Module.

## Electronic Fuel Management System

The Electronic Fuel Management System monitors engine temperature, engine speed, and battery voltage to adjust the choke during engine start-up and warm-up. There are no adjustments on the system. If start-up or operation problems occur, speak to a Briggs & Stratton Authorized Service Dealer.

**NOTICE** Make sure that you follow these rules or the Electronic Fuel Management System could be damaged.

- DO NOT start the engine if the battery cables are loose.
- Before you connect the jump start cables, or disconnect or reconnect the battery cables, turn the ignition switch to the OFF position. When you charge the battery, turn the ignition switch to the OFF position.
- When you disconnect the battery cables from the battery, disconnect the negative (-) cable, and then disconnect the positive (+) cable to the battery. When you connect the battery cables to the battery, connect the positive (+) cable, and then the negative (-) cable to the battery.
- DO NOT use a battery charger to start the engine.
- DO NOT disconnect the battery cables during engine operation.
- DO NOT spray water directly on the Electronic Control Unit.

## Carburetor and Engine Speed

Do not make adjustments to the carburetor, governor spring, linkages, or other parts to adjust the engine speed. If adjustments are necessary, contact a Briggs & Stratton Authorized Service Dealer for servicing.

## NOTICE

The equipment manufacturer specifies the maximum speed for the engine as installed on the equipment. Do not exceed this speed. If you are not sure what the equipment maximum speed is, or what the engine speed is set to from the factory, contact a Briggs & Stratton Authorized Service Dealer for assistance. For safe and correct operation of the equipment, the engine speed should only be adjusted by a qualified service technician.

## Servicing the Spark Plug

Check the spark plug gap (A, Figure 12) with a wire gauge (B). If necessary, set the spark plug gap. Install and tighten the spark plug to the correct torque. For gap and torque specifications, refer to the **Specifications** section.

## Servicing the Exhaust System



**WARNING** During operation, the engine and muffler become hot. If you touch a hot engine, thermal burns can occur.

Combustible materials, such as leaves, grass and brush, can catch fire.

- Before you touch the engine or muffler, stop the engine and wait two (2) minutes. Make sure that the engine and muffler are safe to touch.
- Remove debris from the muffler and engine.

It is a violation of California Public Resource Code, Section 4442, to use or operate the engine on any forest-covered, brush-covered, or grass-covered land unless the exhaust system is equipped with a spark arrester, as defined in section 4442, maintained in effective working order. Other states or federal jurisdictions may have similar laws; reference Federal Regulation 36 CFR Part 261.52. Contact the original equipment manufacturer, retailer, or dealer to obtain a spark arrester designed for the exhaust system installed on this engine.

Remove debris from the muffler and cylinder area. Inspect the muffler for cracks, corrosion, or other damage. Remove the deflector or the spark arrester, if equipped, and inspect for damage or carbon blockage. If damage is found, install the replacement parts before you operate the equipment.

## Change Engine Oil



**WARNING** Fuel and its vapors are flammable and explosive. Fire or explosion could result in burns or death.

During operation, the engine and muffler become hot. If you touch a hot engine, thermal burns can occur.

- If you drain the oil from the top oil fill tube, the fuel tank must be empty. If it is not empty, fuel leakage can occur and cause a fire or an explosion.
- Before you touch the engine or muffler, stop the engine and wait two (2) minutes. Make sure that the engine and muffler are safe to touch.

Used oil is a hazardous waste product and must be discarded of correctly. Do not discard with household waste. Contact your local authorities, service center, or dealer for safe disposal or recycling facilities.

## Remove Oil

1. With engine OFF but warm, disconnect the spark plug wire(s) (D, Figure 13), and keep it away from the spark plug(s)(E).
2. Remove the dipstick (A, Figures 14, 15).
3. Remove the oil drain plug (F, Figures 16, 17). Drain the oil into an approved container.
4. Install and tighten the oil drain plug (F, Figures 16, 17).

## Change Oil Filter, if installed

1. Drain the oil from the engine. Refer to the **Remove Oil** section.
2. Remove the oil filter (G, Figures 18, 19) and discard correctly.
3. Before you install the new oil filter, lightly lubricate the oil filter gasket with clean oil.
4. Install the oil filter by hand until the gasket touches the oil filter adapter, then tighten the oil filter 1/2 to 3/4 turns.
5. Add oil. Refer to the **Add Oil** section.
6. Start and operate the engine. When the engine is warm, do a check for oil leaks.
7. Stop the engine. Make sure that oil level is at the top of the full indicator on the dipstick. Refer to the **Add Oil** section.

## Add Oil

- Make sure the engine is level.

- Clean the oil fill area of all debris.
- Refer to the **Specifications** section for oil capacity.

1. Remove the dipstick (A, Figures 20, 21). Remove oil from the dipstick with a clean cloth.
2. Slowly add oil into the engine oil fill (C, Figures 20, 21) **Do not overfill**. Wait one minute and then check the oil level.
3. Install and tighten the dipstick (A, Figures 20, 21).
4. Remove the dipstick and check the oil level. The correct oil level is at the top of the full indicator (B, Figures 20, 21) on the dipstick.
5. Install and tighten the dipstick (A, Figures 20, 21).
6. Connect the spark plug wire(s) (D, Figure 20) to the spark plug(s).

## Servicing the Air Filter



**WARNING** Fuel vapors are flammable and explosive. Fire or explosion could result in burns or death.

- Do not start and operate the engine with the air cleaner assembly (if equipped) or the air filter (if equipped) removed.

## NOTICE

Do not use pressurized air or solvents to clean the filter. Pressurized air could result in damage to the filter and solvents will dissolve the filter.

See the **Maintenance Schedule** for servicing requirements.

Some models have an optional pre-cleaner that can be cleaned and used again. Compare the illustrations in this manual to the type installed on your engine.

1. **Models without a Fuel Tank:** Open the fastener(s) (A, Figure 22) and remove the cover (B).
2. **Models with a Fuel Tank:** Remove the fastener(s) (C, Figure 23) and the cover (D).
3. Remove the nut (D, Figures 22, 23) and retainer (E).
4. Remove the air filter (F, Figures 22, 23).
5. Remove the pre-cleaner (G, Figures 22, 23), if equipped, from the air filter (F).
6. To loosen debris, lightly tap the filter (F, Figures 22, 23) on a hard surface. If the air filter is dirty, replace it with a new filter.
7. Clean the pre-cleaner (G, Figures 22, 23), if equipped, in liquid detergent and water. Let the pre-cleaner fully air dry. **DO NOT** lubricate the pre-cleaner.
8. Assemble the dry pre-cleaner (G, Figures 22, 23), if equipped, to the air filter (F).
9. Install the air filter (F, Figures 22, 23) and attach with the retainer (E) and nut (D).
10. Install the cover (B, Figures 22, 23).

## Servicing the Fuel System



**WARNING** Fuel and its vapors are flammable and explosive. Fire or explosion could result in burns or death.

- Keep fuel away from sparks, open flames, pilot lights, heat, and other ignition sources.
- Frequently examine the fuel lines, fuel tank, fuel cap, and connections for cracks or leaks. Replace damaged parts.
- If fuel spills, wait until it dries before you start the engine.

## Fuel Filter, if installed

1. Before you replace the fuel filter (A, Figure 24), drain the fuel tank or close the fuel shut-off valve. If the fuel tank is not drained, fuel leakage can occur and cause a fire or explosion.
2. Squeeze the tabs (B, Figure 24) on the clamps (C) with pliers. Move the clamps away from the fuel filter (A).
3. Twist and pull the fuel lines (D, Figure 24) off of the fuel filter.
4. Examine the fuel lines (D, Figure 24) for cracks or leaks. If it is necessary, replace the fuel lines.
5. Replace the fuel filter (A, Figure 24).
6. Attach the fuel lines (D, Figure 24) with clamps (C).



## Servicing the Cooling System



**WARNING** During operation, the engine and muffler become hot. If you touch a hot engine, thermal burns can occur.

### Combustible debris, such as leaves, grass, and brush can catch fire.

- Before you touch the engine or muffler, stop the engine and wait two (2) minutes. Make sure that the engine and muffler are safe to touch.
- Remove debris from the muffler and engine.

### NOTICE

Do not use water to clean the engine. Water could cause contamination of the fuel system. Use a brush or dry cloth to clean the engine.

This is an air cooled engine. Dirt or debris can prevent air flow and cause the engine to become too hot and result in unsatisfactory performance and decreased engine life.

1. Use a brush or dry cloth to remove debris from the air intake grille.
2. Keep linkage, springs, and controls clean.
3. Keep the area around and behind the muffler, if equipped, free of combustible debris.
4. Make sure the oil cooler fins, if equipped, are clean.

After a period of time, the cylinder cooling fins can collect debris and cause the engine to overheat. This unwanted material cannot be removed without partial disassembly of the engine. Have a Briggs & Stratton Authorized Service Dealer inspect and clean the air cooling system as recommended in the **Maintenance Schedule**.

## Storage

### Fuel System

Refer to Figure: 25.



**WARNING** Fuel and its vapors are flammable and explosive. Fire or explosion could result in burns or death.

### Fuel Storage

- Because pilot lights or other ignition sources can cause explosions, keep fuel or equipment away from furnaces, stoves, water heaters or other appliances that have pilot lights.

Keep the engine level (normal operating position). Fill the fuel tank (A, Figure 25) with fuel. For fuel expansion, do not fill above the fuel tank neck (B).

Fuel can become stale when kept in a storage container for more than 30 days. The use of an alcohol-free fuel stabilizer and ethanol treatment in the fuel storage container is recommended to prevent fuel degradation and keep the fuel fresh.

When you fill the fuel container with fuel, add an alcohol-free fuel stabilizer as specified by the manufacturer's instructions. If gasoline in the engine has not been treated with a fuel stabilizer, it must be drained into an approved container. Operate the engine until it is out of fuel.

## Engine Oil

While the engine is still warm, change the engine oil. Refer to **Change the Engine Oil** section.

## Troubleshooting

### Assistance

For assistance, contact your local dealer or go to **BRIGGSandSTRATTON.COM** or call **1-800-444-7774** (in USA).

## Specifications

### Specifications and Service Parts

MODELS: 290000, 300000	
Displacement	29.23 ci (479 cc)
Bore	2.677 in (68 mm)
Stroke	2.598 in (66 mm)
Oil Capacity	46 - 48 oz (1,36 - 1,42 L)
Spark Plug Gap	.030 in (.76 mm)
Spark Plug Torque	180 lb-in (20 Nm)
Armature Air Gap - Carburetor Models	.008 - .012 in (.20 - .30 mm)
Intake Valve Clearance	.004 - .006 in (.10 - .15 mm)

### MODELS: 290000, 300000

Exhaust Valve Clearance	.004 - .006 in (.10 - .15 mm)
-------------------------	-------------------------------

### MODEL: 350000

Displacement	34.78 ci (570 cc)
Bore	2.835 in (72 mm)
Stroke	2.756 in (70 mm)
Oil Capacity	46 - 48 oz (1,36 - 1,42 L)
Spark Plug Gap	.030 in (.76 mm)
Spark Plug Torque	180 lb-in (20 Nm)
Armature Air Gap - Carburetor Models	.008 - .012 in (.20 - .30 mm)
Intake Valve Clearance	.004 - .006 in (.10 - .15 mm)
Exhaust Valve Clearance	.004 - .006 in (.10 - .15 mm)

### MODEL: 380000

Displacement	38.26 ci (627 cc)
Bore	2.972 in (75,5 mm)
Stroke	2.756 in (70 mm)
Oil Capacity	46 - 48 oz (1,36 - 1,42 L)
Spark Plug Gap	.030 in (.76 mm)
Spark Plug Torque	180 lb-in (20 Nm)
Armature Air Gap - Carburetor Models	.008 - .012 in (.20 - .30 mm)
Intake Valve Clearance	.004 - .006 in (.10 - .15 mm)
Exhaust Valve Clearance	.004 - .006 in (.10 - .15 mm)

Engine power will decrease 3.5% for each 1,000 feet (300 meters) above sea level and 1% for each 10°F (5.6°C) above 77°F (25°C). The engine will operate satisfactorily at an angle up to 15°. Refer to the equipment Operator's Manual for safe permitted operating limits on slopes.

### MODELS: 290000, 300000, 350000, 380000

Service Part	Part Number
Air Filter (with fuel tank, Figure 23)	383857
Air Filter (except Model 380000, Figure 22)	394018
Air Filter (Model 380000, 22)	692519
Air Filter, Pre-cleaner (with fuel tank, Figure 23)	271794
Air Filter, Pre-cleaner (except Model 380000, Figure 22)	272490
Air Filter, Pre-cleaner (Model 380000, Figure 22)	692520
Oil - SAE 30	100028
Oil Filter	842921
Fuel Filter (with fuel tank)	808116
Fuel Filter (with fuel pump)	845125
Fuel Filter (without fuel pump)	298090
Resistor Spark Plug	491055S
Long Life Platinum Spark Plug	696202, 5066K
Spark Plug Wrench	19576S
Spark Tester	84003327

We recommend that you see a Briggs & Stratton Authorized Dealer for all maintenance and servicing of the engine and engine parts.

## Power Ratings

The gross power rating for individual gasoline engine models is labeled in accordance with SAE (Society of Automotive Engineers) code J1940 Small Engine Power & Torque Rating Procedure, and is rated in accordance with SAE J1995. Torque values are derived at 2600 RPM for those engines with "rpm" called out on the label and 3060 RPM for all others; horsepower values are derived at 3600 RPM. The gross power curves can be viewed at [www.BRIGGSandSTRATTON.COM](http://www.BRIGGSandSTRATTON.COM). Net power values are taken with exhaust and air cleaner installed whereas gross power values are collected without these attachments. Actual gross engine power will be higher than net engine power and is affected by, among other things, ambient operating conditions and engine-to-engine variability. Given the wide array of products on which engines are placed, the gasoline engine may not develop the rated gross power when used in a given piece of power equipment. This difference is due to a variety of factors including, but not limited to, the variety of engine components (air cleaner, exhaust, charging, cooling, carburetor, fuel pump, etc.), application limitations, ambient operating conditions (temperature, humidity,

altitude), and engine-to-engine variability. Due to manufacturing and capacity limitations, Briggs & Stratton may substitute an engine of higher rated power for this engine.

## Warranty

### Briggs & Stratton® Engine Warranty

Effective August 2022

#### Limited Warranty

Briggs & Stratton warrants that, during the warranty period specified below, it will repair or replace, free of charge, with a new, reconditioned or re-manufactured part, at the sole discretion of Briggs & Stratton, any part that is defective in material or workmanship or both. Transportation charges on product submitted for repair or replacement under this warranty must be borne by purchaser. This warranty is effective for and is subject to the time periods and conditions stated below. For warranty service, find the nearest Authorized Service Dealer in our dealer locator map at BRIGGSandSTRATTON.COM. The purchaser must contact the Authorized Service Dealer, and then make the product available to the Authorized Service Dealer for inspection and testing.

**There is no other express warranty. Implied warranties, including those of merchantability and fitness for a particular purpose, are limited to one year from purchase, or to the extent permitted by law. All other implied warranties are excluded. Liability for incidental or consequential damages are excluded to the extent exclusion is permitted by law.** Some states or countries do not allow limitations on how long an implied warranty lasts, and some states or countries do not allow the exclusion or limitation of incidental or consequential damages, so the above limitation and exclusion may not apply to you. This warranty gives you specific legal rights and you may also have other rights which vary from state to state and country to country.

Standard Warranty Terms <sup>1, 2</sup>
<b>Vanguard®; Commercial Series</b>
Consumer Use - 36 months
Commercial Use - 36 months
<b>XR Series</b>
Consumer Use - 24 months
Commercial Use - 24 months
<b>All Other Engines Featuring Dura-Bore™ Cast Iron Sleeve</b>
Consumer Use - 24 months
Commercial Use - 12 months
<b>All Other Engines</b>
Consumer Use - 24 months
Commercial Use - 3 months

<sup>1</sup>These are our standard warranty terms, but occasionally there may be additional warranty coverage that was not determined at time of publication. For a listing of current warranty terms for your engine, go to BRIGGSandSTRATTON.COM or contact your Briggs & Stratton Authorized Service Dealer.

<sup>2</sup>There is no warranty for engines on equipment used for prime power in place of a utility; standby generators used for commercial purposes, utility vehicles exceeding 25 MPH, or engines used in competitive racing or on commercial or rental tracks.

\* In Australia - Our goods come with guarantees that cannot be excluded under the Australian Consumer Law. You are entitled to a replacement or refund for a major failure and for compensation for any other reasonably foreseeable loss or damage. You are also entitled to have the goods repaired or replaced if the goods fail to be of acceptable quality and the failure does not amount to a major failure. For warranty service, find the nearest Authorized Service Dealer in our dealer locator map at BRIGGSandSTRATTON.COM, or by calling 1300 274 447, or by emailing or writing to salesenquiries@briggsandstratton.com.au, Briggs & Stratton Australia Pty Ltd, 1 Moorebank Avenue, Moorebank, NSW, Australia, 2170.

The warranty period begins on the date of purchase by the first retail consumer or commercial end user, and continues for the period of time stated in the table above. "Consumer use" means personal residential household use by a retail consumer. "Commercial use" means all other uses, including use for commercial, income producing or rental purposes. Once an engine has experienced commercial use, it shall thereafter be considered as a commercial use engine for purposes of this warranty.

**No warranty registration is necessary to obtain warranty on Briggs & Stratton products. Save your proof of purchase receipt. If you do not provide proof of the initial purchase date at the time warranty service is requested, the manufacturing date of the product will be used to determine the warranty period.**

#### About Your Warranty

This limited warranty covers engine-related material and/or workmanship issues only, and not replacement or refund of the equipment to which the engine may be mounted. Routine maintenance, tune-ups, adjustments, or normal wear and tear are not covered

under this warranty. Similarly, warranty is not applicable if the engine has been altered or modified or if the engine serial number has been defaced or removed. This warranty does not cover engine damage or performance problems caused by:

1. The use of parts that are not original Briggs & Stratton parts;
2. Operating the engine with insufficient, contaminated, or an incorrect grade of lubricating oil;
3. The use of contaminated or stale fuel, gasoline formulated with ethanol greater than 10%, or the use of alternative fuels such as liquefied petroleum or natural gas on engines not originally designed/manufactured by Briggs & Stratton to operate on such fuels;
4. Dirt which entered the engine because of improper air cleaner maintenance or reassembly;
5. Striking an object with the cutter blade of a rotary lawn mower, loose or improperly installed blade adapters, impellers, or other crankshaft coupled devices, or excessive v-belt tightness;
6. Associated parts or assemblies such as clutches, transmissions, equipment controls, etc., which are not supplied by Briggs & Stratton;
7. Overheating due to grass clippings, dirt and debris, or rodent nests which plug or clog the cooling fins or flywheel area, or by operating the engine without sufficient ventilation;
8. Excessive vibration due to over-speeding, loose engine mounting, loose or unbalanced cutter blades or impellers, or improper coupling of equipment components to the crankshaft;
9. Misuse, lack of routine maintenance, shipping, handling, or warehousing of equipment, or improper engine installation.

Warranty service is available only through Briggs & Stratton Authorized Service Dealers. Locate your nearest Authorized Service Dealer in our dealer locator map at BRIGGSandSTRATTON.COM or by calling 1-800-444-7774 (in USA).

80114782 (Revision A)

## Briggs & Stratton Emissions Warranty

**California, U.S. EPA, and Briggs & Stratton, LLC Emissions Control Warranty - Your Warranty Rights and Obligations For Briggs & Stratton Engine Models with "F" Trim Designation (Model-Type-Trim Representation xxxxxx xxxx Fx)**

The California Air Resources Board, U.S. EPA, and Briggs & Stratton (B&S) are pleased to explain the exhaust and evaporative emissions ("emissions") control system warranty on your 2022-2024 engine. In California, new equipment that use small off-road engines must be designed, built, and equipped to meet the State's stringent anti-smog standards. B&S must warrant the emissions control system on your engine/equipment for the periods of time listed below provided there has been no abuse, neglect or improper maintenance of your small off-road engine or equipment leading to the failure of the emissions control system.

Your emissions control system may include parts such as the carburetor or fuel-injection system, the ignition system, catalytic converter, fuel tanks, fuel lines (for liquid fuel and fuel vapors), fuel caps, valves, canisters, filters, clamps and other associated components. Also included may be hoses, belts, connectors, and other emission-related assemblies.

Where a warrantable condition exists, B&S will repair your engine/equipment at no cost to you including diagnosis, parts, and labor.

#### Manufacturer's Warranty Coverage:

The exhaust and evaporative emissions control system on your engine/equipment is warranted for two years. If any evaporative emission-related part on your engine/equipment is defective, the part will be repaired or replaced by B&S.

#### Owner's Warranty Responsibilities:

- As the engine/equipment owner, you are responsible for the performance of the required maintenance listed in your owner's manual. B&S recommends that you retain all receipts covering maintenance on your engine, but B&S cannot deny warranty coverage solely for the lack of receipts or for your failure to ensure the performance of all scheduled maintenance.
- As the engine/equipment owner, you should however be aware that B&S may deny you warranty coverage if your engine/equipment or a part has failed due to abuse, neglect, or improper maintenance or unapproved modifications.
- You are responsible for presenting your engine/equipment to a B&S distribution center or service center as soon as the problem exists. The warranty repairs shall be completed in a reasonable amount of time, not to exceed 30 days. If you have a question regarding your warranty rights and responsibilities, you should contact B&S at 1-800-444-7774 (in USA) or BRIGGSandSTRATTON.COM.

#### Briggs & Stratton Emissions Control Warranty Provisions

The following are specific provisions relative to your Emissions Control Warranty Coverage. It is in addition to the B&S engine warranty for non-regulated engines found in the Operator's Manual.

1. **Warranted Emissions Parts**  
Coverage under this warranty extends only to the parts listed below (the emissions control systems parts) to the extent these parts were present on the B&S engine and/or B&S supplied fuel system.

a. **Fuel Metering System**

- Cold start enrichment system (soft choke)
- Carburetor or fuel injection system
- Oxygen sensor
- Electronic control unit
- Fuel pump module
- Fuel line (for liquid fuel and fuel vapors), fuel line fittings, clamps
- Fuel tank, cap and tether
- Carbon canister and mounting bracket
- Pressure relief valves
- Liquid/Vapor separator

b. **Air Induction System**

- Air cleaner
- Intake manifold
- Purge and vent line

c. **Ignition System**

- Spark plug(s)
- Magneto ignition system

d. **Catalyst System**

- Catalytic converter
- Exhaust manifold
- Air injection system or pulse valve

e. **Miscellaneous Items Used in Above Systems**

- Vacuum, temperature, position, time sensitive valves and switches
- Connectors and assemblies
- Electronic controls

2. **Length of Coverage**

Coverage is for a period of two years from the date of delivery to an ultimate purchaser, or for the time period listed in the respective engine or product warranty statement, whichever is greater. B&S warrants to the original purchaser and each subsequent purchaser that the engine is designed, built, and equipped so as to conform with all applicable regulations adopted by the Air Resources Board; that it is free from defects in material and workmanship that could cause the failure of a warranted part; and that it is identical in all material respects to the engine described in the manufacturer's application for certification. The warranty period begins on the date the engine or equipment is delivered to an ultimate purchaser.

The warranty on emissions-related parts is as follows:

- Any warranted part that is not scheduled for replacement as required maintenance in the Operator's Manual supplied, is warranted for the warranty period stated above. If any such part fails during the period of warranty coverage, the part will be repaired or replaced by B&S at no charge to the owner. Any such part repaired or replaced under the warranty will be warranted for the remaining warranty period.
- Any warranted part that is scheduled only for regular inspection in the Operator's Manual supplied, is warranted for the warranty period stated above. Any such part repaired or replaced under warranty will be warranted for the remaining warranty period.
- Any warranted part that is scheduled for replacement as required maintenance in the Operator's Manual supplied, is warranted for the period of time prior to the first scheduled replacement point for that part. If the part fails prior to the first scheduled replacement, the part will be repaired or replaced by B&S at no charge to the owner. Any such part repaired or replaced under warranty will be warranted for the remainder of the period prior to the first scheduled replacement point for the part.
- Add-on or modified parts that are not exempted by the Air Resources Board may not be used. The use of any non-exempted add-on or modified parts by the owner will be grounds for disallowing a warranty claim. The manufacturer will not be liable to warrant failures of warranted parts caused by the use of a non-exempted add-on or modified part.

3. **Consequential Coverage**

Coverage shall extend to the failure of any engine components caused by the failure of any warranted emissions parts.

4. **Claims and Coverage Exclusions**

Warranty claims shall be filed according to the provisions of the B&S engine warranty policy. Warranty coverage does not apply to failures of emissions parts that are not original equipment B&S parts or to parts that fail due to abuse, neglect, or improper maintenance as set forth in the B&S engine warranty policy. B&S is not liable for warranty coverage of failures of emissions parts caused by the use of add-on or modified parts.

**Look For Relevant Emissions Durability Period and Air Index Information On Your Small Off-Road Engine Emissions Label**

Engines that are certified to meet the California Air Resources Board (CARB) small off-road Emissions Standard must display information regarding the Emissions Durability Period and the Air Index. Briggs & Stratton makes this information available to the consumer on our emissions labels. The engine emissions label will indicate certification information.

The **Emissions Durability Period** describes the number of hours of actual running time for which the engine is certified to be emissions compliant, assuming proper maintenance in accordance with the Operator's Manual. The following categories are used:

**Moderate:**

Engines at or less than 80 cc displacement are certified to be emissions compliant for 50 hours of actual engine running time. Engines greater than 80 cc displacement are certified to be emissions compliant for 125 hours of actual engine running time.

**Intermediate:**

Engines at or less than 80 cc displacement are certified to be emissions compliant for 125 hours of actual engine running time. Engines greater than 80 cc displacement are certified to be emissions compliant for 250 hours of actual engine running time.

**Extended:**

Engines at or less than 80 cc displacement are certified to be emissions compliant for 300 hours of actual engine running time. Engines greater than 80 cc displacement are certified to be emissions compliant for 500 hours of actual engine running time.

For example, a typical walk-behind lawn mower is used 20 to 25 hours per year. Therefore, the **Emissions Durability Period** of an engine with an **intermediate** rating would equate to 10 to 12 years.

Briggs & Stratton engines are certified to meet the United States Environmental Protection Agency (USEPA) Phase 2 or Phase 3 emissions standards. The Emissions Compliance Period referred to on the Emissions Compliance label indicates the number of operating hours for which the engine has been shown to meet Federal emissions requirements.

**For engines at or less than 80 cc displacement:**

Category C = 50 hours, Category B = 125 hours, Category A = 300 hours

**For engines greater than 80 cc displacement and less than 225 cc displacement:**

Category C = 125 hours, Category B = 250 hours, Category A = 500 hours

**For engines of 225 cc or more displacement:**

Category C = 250 hours, Category B = 500 hours, Category A = 1000 hours

80111491 (Revision A)

## Briggs & Stratton Emissions Warranty

### California, U.S. EPA, and Briggs & Stratton, LLC Emissions Control Warranty - Your Warranty Rights and Obligations

#### For Briggs & Stratton Engine Models with "B" or "G" Trim Designation (Model-Type-Trim Representation xxxxxx xxxx Bx or xxxxxx xxxx Gx)

The California Air Resources Board, U.S. EPA, and Briggs & Stratton (B&S) are pleased to explain the exhaust emissions ("emissions") control system warranty on your 2022-2024 engine. In California, new small off-road engines and large spark ignited engines less than or equal to 1.0 liter must be designed, built, and equipped to meet the State's stringent anti-smog standards. B&S must warrant the emissions control system on your engine for the periods of time listed below provided there has been no abuse, neglect or improper maintenance of your small off-road engine or equipment leading to the failure of the emissions control system.

Your emissions control system may include parts such as the carburetor or fuel-injection system, the ignition system, catalytic converter, fuel tanks, fuel lines (for liquid fuel and fuel vapors), fuel caps, valves, canisters, filters, clamps and other associated components. Also included may be hoses, belts, connectors, and other emission-related assemblies.

Where a warrantable condition exists, B&S will repair your engine at no cost to you including diagnosis, parts, and labor.

**Manufacturer's Warranty Coverage:**



The exhaust emissions control system on your engine is warranted for two years. If any emissions-related part on your engine is defective, the part will be repaired or replaced by B&S.

#### Owner's Warranty Responsibilities:

- As the engine owner, you are responsible for the performance of the required maintenance listed in your owner's manual. B&S recommends that you retain all receipts covering maintenance on your engine, but B&S cannot deny warranty coverage solely for the lack of receipts or for your failure to ensure the performance of all scheduled maintenance.
- As the engine owner, you should however be aware that B&S may deny you warranty coverage if your engine or a part has failed due to abuse, neglect, or improper maintenance or unapproved modifications.
- You are responsible for presenting your engine to a B&S distribution center or service center as soon as the problem exists. The warranty repairs shall be completed in a reasonable amount of time, not to exceed 30 days. If you have a question regarding your warranty rights and responsibilities, you should contact B&S at 1-800-444-7774 (in USA) or BRIGGSandSTRATTON.COM.

#### Briggs & Stratton Emissions Control Warranty Provisions

The following are specific provisions relative to your Emissions Control Warranty Coverage. It is in addition to the B&S engine warranty for non-regulated engines found in the Operator's Manual.

#### 1. Warranted Emissions Parts

Coverage under this warranty extends only to the parts listed below (the emissions control systems parts) to the extent these parts were present on the B&S engine.

##### a. Fuel Metering System

- Cold start enrichment system (soft choke)
- Carburetor or fuel injection system
- Oxygen sensor
- Electronic control unit
- Fuel pump module

##### b. Air Induction System

- Air cleaner
- Intake manifold

##### c. Ignition System

- Spark plug(s)
- Magneto ignition system

##### d. Catalyst System

- Catalytic converter
- Exhaust manifold
- Air injection system or pulse valve

##### e. Miscellaneous Items Used in Above Systems

- Vacuum, temperature, position, time sensitive valves and switches
- Connectors and assemblies
- Electronic controls

#### 2. Length of Coverage

Coverage is for a period of two years from the date of delivery to an ultimate purchaser, or for the time period listed in the respective engine or product warranty statement, whichever is greater. B&S warrants to the original purchaser and each subsequent purchaser that the engine is designed, built, and equipped so as to conform with all applicable regulations adopted by the Air Resources Board; that it is free from defects in material and workmanship that could cause the failure of a warranted part; and that it is identical in all material respects to the engine described in the manufacturer's application for certification. The warranty period begins on the date the engine or equipment is delivered to an ultimate purchaser.

The warranty on emissions-related parts is as follows:

- Any warranted part that is not scheduled for replacement as required maintenance in the Operator's Manual supplied, is warranted for the warranty period stated above. If any such part fails during the period of warranty coverage, the part will be repaired or replaced by B&S at no charge to the owner. Any such part repaired or replaced under the warranty will be warranted for the remaining warranty period.
- Any warranted part that is scheduled only for regular inspection in the Operator's Manual supplied, is warranted for the warranty period stated above. Any such part repaired or replaced under warranty will be warranted for the remaining warranty period.
- Any warranted part that is scheduled for replacement as required maintenance in the Operator's Manual supplied, is warranted for the period of time prior to the first scheduled replacement point for that part. If the part fails prior to the first scheduled replacement, the part will be repaired or replaced by B&S at no charge to the owner. Any such part repaired or replaced under warranty will be warranted for the remainder of the period prior to the first scheduled replacement point for the part.
- Add-on or modified parts that are not exempted by the Air Resources Board may not be used. The use of any non-exempted add-on or modified parts by the owner will be grounds for disallowing a warranty claim. The manufacturer will not be liable for warranty failures of warranted parts caused by the use of a non-exempted add-on or modified part.

#### 3. Consequential Coverage

Coverage shall extend to the failure of any engine components caused by the failure of any warranted emissions parts.

#### 4. Claims and Coverage Exclusions

Warranty claims shall be filed according to the provisions of the B&S engine warranty policy. Warranty coverage does not apply to failures of emissions parts that are not original equipment B&S parts or to parts that fail due to abuse, neglect, or improper maintenance as set forth in the B&S engine warranty policy. B&S is not liable for warranty coverage of failures of emissions parts caused by the use of add-on or modified parts.

#### Look For Relevant Emissions Durability Period and Air Index Information On Your Small Off-Road Engine Emissions Label

Engines that are certified to meet the California Air Resources Board (CARB) small off-road Emissions Standard must display information regarding the Emissions Durability Period and the Air Index. Briggs & Stratton makes this information available to the consumer on our emissions labels. The engine emissions label will indicate certification information.

The **Emissions Durability Period** describes the number of hours of actual running time for which the engine is certified to be emissions compliant, assuming proper maintenance in accordance with the Operator's Manual. The following categories are used:

##### Moderate:

Engines at or less than 80 cc displacement are certified to be emissions compliant for 50 hours of actual engine running time. Engines greater than 80 cc displacement are certified to be emissions compliant for 125 hours of actual engine running time.

##### Intermediate:

Engines at or less than 80 cc displacement are certified to be emissions compliant for 125 hours of actual engine running time. Engines greater than 80 cc displacement are certified to be emissions compliant for 250 hours of actual engine running time.

##### Extended:

Engines at or less than 80 cc displacement are certified to be emissions compliant for 300 hours of actual engine running time. Engines greater than 80 cc displacement are certified to be emissions compliant for 500 hours of actual engine running time.

For example, a typical walk-behind lawn mower is used 20 to 25 hours per year. Therefore, the **Emissions Durability Period** of an engine with an **intermediate** rating would equate to 10 to 12 years.

Briggs & Stratton engines are certified to meet the United States Environmental Protection Agency (USEPA) Phase 2 or Phase 3 emissions standards. The Emissions Compliance Period referred to on the Emissions Compliance label indicates the number of operating hours for which the engine has been shown to meet Federal emissions requirements.

#### For engines at or less than 80 cc displacement:

Category C = 50 hours, Category B = 125 hours, Category A = 300 hours

**For engines greater than 80 cc displacement and less than 225 cc displacement:**

Category C = 125 hours, Category B = 250 hours, Category A = 500 hours

**For engines of 225 cc or more displacement:**

Category C = 250 hours, Category B = 500 hours, Category A = 1000 hours

80111486 (Revision A)

Not for reproduction

## Обща информация



Това ръководство съдържа информация за безопасност относно свързаните с двигателя опасности и рискове, и тяхното предотвратяване. Също така съдържа информация за правилната работа и поддръжка на двигателя. Важно е да прочетете, разберете и спазвате тези инструкции. **Пазете това ръководство за бъдещи справки.**

**ЗАБЕЛЕЖКА:** Фигурите и илюстрациите в това ръководство са предоставени само за информация и може да се различават от модела, който притежавате. Използвайте фигурите, които съответстват на конфигурацията на вашия двигател. Ако е необходимо, се свържете с упълномощен сервизен представител.

Запишете датата на покупката, модела, типа, модификацията и серийния номер на двигателя при необходимост от резервни части. Тези номера се намират върху двигателя. Вижте раздела **Елементи и прибори за управление.**

Дата на закупуване	
Модел - Тип - Конструкция на двигателя	
Сериен номер на двигателя	

## Информация за контакт на Европейската служба

За въпроси относно емисиите в Европейския съюз, се свържете с нашата Европейска служба на адрес:

Max-Born-Straße 2, 68519 Viernheim, Германия.

## Стандарт Euro ниво V (5) на ЕС: Стойности на въглероден диоксид (CO<sub>2</sub>)

Въведете „CO<sub>2</sub>“ в полето за търсене на уебсайта BriggsandStratton.com, за да намерите стойностите на емисиите въглероден диоксид за двигателите на Briggs & Stratton, които имат сертификата за типово одобрение от ЕС.

## Информация за рециклиране

		Рециклирайте всички кашони, кутии, използвано масло и батерии, както е посочено в правителствените разпоредби.
--	--	--

## Безопасност на оператора Предупредителен символ за опасност и сигнални думи

Предупредителният символ за безопасност обозначава информацията за безопасност, свързана с опасности, които могат да доведат до нараняване. Сигнализираща дума (**ОПАСНОСТ**, **ПРЕДУПРЕЖДЕНИЕ** или **ВНИМАНИЕ**) се поставя, за да посочи вероятността и потенциалната сериозност на нараняването. Освен това, даден символ за опасност се използва, за да се представи видът на опасността.

**ОПАСНОСТ** посочва опасност, която, ако не бъде избегната, **ще** доведе до смърт или сериозно нараняване.

**ПРЕДУПРЕЖДЕНИЕ** посочва опасност, която, ако не бъде избегната, **може** да доведе до смърт или сериозно нараняване.

**ВНИМАНИЕ** посочва опасност, която, ако не бъде избегната, **може** да доведе до малка или средна степен на нараняване.

**ПРЕДУПРЕЖДЕНИЕ** посочва информация, считана за важна, но несвързана с опасности.

## Символи за опасности и техните значения

	Информация за безопасност относно опасности, които могат да доведат до телесно нараняване.		Прочетете и разберете Ръководството за оператора, преди да работите или правите техническо обслужване на машината.
--	--	--	--

Опасност от пожар	Опасност от експлозия
Опасност от електрически удар	Опасност от токсични пари
Опасност от нагорещена повърхност	Опасност от откат
Опасност от отрязване на крайник – Движещи се части	Ниво на горивото – Максимално Не препълвайте

## Съобщения за безопасност

### ПРЕДУПРЕЖДЕНИЕ

Двигателите на Briggs & Stratton® не са предназначени за и не трябва да се използват за захранване на: развлекателни картове; състезателни картове; детски, развлекателни или спортни всеходни превозни средства (АТВ-та); мотоциклети; съдове на въздушна възглавница; продукти за авиацията или превозни средства, използвани в състезания, които не са разрешени от Briggs & Stratton. За информация относно изделия за състезателни цели, вижте [www.briggsracing.com](http://www.briggsracing.com). При използване на превозни средства с общо предназначение и такива с повишена проходимост (АТV), моля свържете се с приложния център за захранване на Briggs & Stratton на тел. 1-866-927-3349. Неправилната употреба на двигателя може да доведе до сериозни наранявания или смърт.

### ПРЕДУПРЕЖДЕНИЕ

Горивото и неговите пари са възпламеними и взривоопасни. Пожар или експлозия може да доведе до изгаряния или смърт.

#### Когато добавяте гориво

- Спрете двигателя. Преди да свалите капачката за гориво, изчакайте най-малко две (2) минути, за да си гарантирате, че двигателят се е охладил.
- Напълнете резервоара за гориво на открито или в помещение с добра вентилация.
- Не слагайте твърде много гориво в резервоара. За да оставите възможност за разширение на горивото, не пълнете над долната част на гърлото на резервоара за гориво.
- Дръжте горивото далече от искри, открити пламъци, пилотни светлини, топлина и други източници на запалване.
- Често преглеждайте горивопроводите, резервоара за гориво, капачката на горивото и връзките за наличие на пукнатини или течове. Подменете повредените части.
- Ако горивото се разлее, изчакайте, докато се изпари преди да стартирате двигателя.

#### Когато стартирате двигателя

- Уверете се, че запалителната свещ, шумозаглушителят, капачката на резервоара за гориво и въздушният филтър (ако има такива) са монтирани правилно.
- Не стартирайте двигателя без запалителна свещ.
- Ако двигателят е задавен, поставете смукача (ако има такъв) в положение ОТВОРЕНО или РАБОТА. Поставете прибора за управление на дроселната клапа в положение БЪРЗО (ако има такъв) и въртете, докато двигателят стартира.
- Ако в областта има изтичане на природен газ или газ LP, не стартирайте двигателя.
- Не използвайте течности за начално запалване под налягане, защото парите им са възпламеними.

#### Когато работите с оборудването

- Не накланяйте двигателя или машината под тегъл, при който горивото се разлива.
- Не запушвайте карбуратора (ако има такъв) за да спрете двигателя.
- Не стартирайте и не работете с двигателя при демонтиран комплект на въздушния филтър (ако има такъв) или със свален въздушен филтър (ако има такъв).

### Когато извършвате техническо обслужване

- Ако източват маслото от горната тръба за пълнене на масло, резервоарът за гориво трябва да бъде празен. Ако не е празен, може да изтече гориво и да причини пожар или експлозия.
- По време на поддръжката, ако е необходимо да наклоните уреда, уверете се, че резервоарът за гориво, ако е монтиран на двигателя, е празен и че е изправен откъм страната на запалващата свещ. Ако резервоарът за гориво не е празен, може да изтече гориво и да причини пожар или експлозия.
- Често преглеждайте горивопроводите, резервоара за гориво, капачката на горивото и връзките за наличие на пукнатини или течове. Подменете повредените части.
- Не променяйте регулираща пружина, връзки или други части, за да повишавате оборотите на двигателя.
- Не удряйте маховика с чук или твърд предмет. Това може да доведе до повреда на маховика по време на работа.
- Резервните части трябва да бъдат със същата конструкция и да се монтират в същото положение, както оригиналните части. Другите части може да се повредят или да се причини нараняване.

### Когато местите местоположението на оборудването

- Уверете се, че резервоарът за гориво е ПРАЗЕН и че клапаните за изключване са в позиция ЗАТВОРЕНО.

### Когато складираме гориво или оборудване с гориво в резервоара

- Тъй като сигналните светлини или други източници на запалване могат да причинят експлозии, дръжте горивото или оборудването далеч от пещи, печки, бойлери или други уреди, които имат сигнални светлини.



#### ПРЕДУПРЕЖДЕНИЕ

Горивото и неговите пари са възпламеними и взривоопасни. Пожар или експлозия може да доведе до изгаряния или смърт.

Стартирането на двигателя предизвиква искра, която може да доведе до пожар или експлозия.

- Ако в областта има изтичане на природен газ или газ LP, не стартирайте двигателя.
- Не използвайте течности за начално запалване под налягане, защото парите им са възпламеними.



#### ПРЕДУПРЕЖДЕНИЕ

**ОПАСНОСТ ОТ ОТРОВНИ ГАЗОВЕ.** Отработените газове от двигателя съдържат въглероден оксид, отровен газ, който би могъл да Ви убие за минути. Дори ако не усещате отработените газове, все още можете да бъдете изложени на въздействието на отровен въглероден оксид. Ако усетите гадене, замаяване или слабост докато използвате този продукт, **ВЕДНАГА** излезте на чист въздух. Отидете на лекар. Възможно е да сте получили отравяне с въглероден оксид.

- Въглеродният оксид може да се натрупва в затворени помещения. Работете с този продукт САМО на открито, далече от прозорци, врати и вентилационни отвори, за да намалите риска от натрупване на въглероден оксид.
- Монтирайте сигнални уредби за наличие на въглероден оксид, захранвани с батерии или чрез щепсел, според инструкциите на производителя. Сигналните уредби за дим не могат да засичат въглероден оксид.
- НЕ работете с този продукт в домове, гаражи, мазета, непреходни коридори, хангари или други затворени помещения, дори при използване на вентилатори или при отворени врати и прозорци за вентилация. След работата с този продукт, въглеродният оксид може бързо да се натрупа в тези помещения и да остане с часове.
- ВИНАГИ поставяйте този продукт по посока на въздушното течение и насочвайте изгорелите газове от двигателя далече от обитаваните помещения.



#### ПРЕДУПРЕЖДЕНИЕ

Бързото изтегляне на въжето на стартера (откат) притегля дланта и ръката Ви към двигателя по-бързо, отколкото Ви можете да я отдръпнете. Това може да причини счупване на кости, фрактури, натъртвания или навяхвания.

- За да избегнете отката, при стартиране на двигателя, издръпайте бавно въжето на стартера, докато усетите съпротивление, а след това дръпнете рязко.
- Изключете или премахнете всички външни товари на оборудването/двигателя, преди да го стартирате.
- Уверете се, че директно прикачените към двигателя елементи, като, но не само остриета, крилни витла, лебедки и зъбни колела, трябва да бъдат правилно прикрепени.



#### ПРЕДУПРЕЖДЕНИЕ

Въртящите се части могат да захванат ръце, крака, коса, облекло или аксесоари и това може да доведе до травматична ампутация или сериозно нараняване.

- Работете с оборудването с правилно поставени предпазители.
- Дръжте ръцете и краката си на разстояние от въртящите се части.
- Свалете бижутата си и се уверете, че косата Ви е далече от всички въртящи се части.
- Не носете широки дрехи или аксесоари, които могат да бъдат захванати.



#### ПРЕДУПРЕЖДЕНИЕ

По време на работа, двигателят и шумозаглушителят се нагорещават. Ако докоснете горещ двигател, може да се изгорите.

Запалимите материали, като листа, трева и сухи клонки, могат да се запалят.

- Преди да докоснете двигателя или шумозаглушителя, спрете двигателя и изчакайте две (2) минути. Уверете се, че е безопасно да докосвате двигателя и шумозаглушителя.
- Отстранете отпадъците от шумозаглушителя и двигателя.

Според Правилника на Калифорния за обществените ресурси, раздел 4442, използването или работата с двигателя по залесени с гори, храсти или с тревни площи представлява нарушение, освен ако системата за отработени газове не е снабдена с искрогасител, поддържан в ефикасно работно състояние, както е определено в раздел 4442. Други щати или федерални юрисдикции могат да имат подобни закони; за справка – Федерален регламент 36 CFR, част 261.52. Свържете се с производителя, търговеца или продавача на оригинално оборудване, за да получите искроуловител, проектиран за системата за отработени газове на този двигател.



#### ПРЕДУПРЕЖДЕНИЕ

Случайна искра от двигателя може да причини токов удар, пожар или експлозия, и може да доведе до захващане, травматична ампутация или разкъсани наранявания.

Преди да извършвате настройки или поправки:

- Разкачете кабелите на всички запалителни свещи и ги дръжте далеч от тях.
- Разкачете кабела от отрицателната клемма на акумулатора (само при двигатели с електрически стартер).
- Използвайте само правилните инструменти.

Когато проверявате за искра:

- Използвайте одобрен тестер за свещи.
- Не проверявайте за искра при извадена запалителна свещ.



#### ПРЕДУПРЕЖДЕНИЕ

Изпаренията на горивата са възпламеними и взривоопасни. Пожар или експлозия може да доведе до изгаряния или смърт.

Ако Ви замирише на газ

- Не стартирайте двигателя.
- Не включвайте електрическите ключове.
- Не използвайте телефон в непосредствена близост.
- Напуснете мястото.
- Повикайте доставчика на газ или противопожарната служба.

## Елементи и прибори за управление

### Управления на двигателя

Сравнете допълнителните букви на фигури 1, 2, 3 и 4 с приборите за управление на двигателя в списъка, по-долу:

- Маркировка на двигателя **Модел – Тип – Код**
- Запалителна свещ
- Въздушен филтър (без резервоар за гориво)
- Въздушен филтър (с резервоар за гориво)
- Нивопоказател
- Отвор за наливане на масло
- Маслен филтър (ако има такъв)
- Пробка за източване на маслото
- Датчик за налягане на маслото



- J. Предпазител за пръсти
- K. Електрически стартер
- L. Ръчен стартер (ако има такъв)
- M. Карбуратор - Модели карбуратори
- N. Шумозаглушител
- O. Помпа за гориво
- P. Превключвател на стартера<sup>1</sup>
- Q. Ръчна газ<sup>1</sup>
- R. Лост на смукача<sup>1</sup>
- S. Горивен филтър (ако има такъв)
- T. Резервоар за гориво
- U. Кранче за подаване на горивото (ако има такова)<sup>1</sup>
- V. Стоп-ключ (ако има такъв)<sup>1</sup>
- W. Маслен радиатор (ако има монтиран)
- X. Модул на помпата за гориво - Система за модели с електронно впръскване на горивото (EFI)
- Y. Модул за електронно управление - модели с EFI
- Z. Инжектор на гориво - модели с EFI

<sup>1</sup> Някои двигатели и оборудване имат прибори за дистанционно управление. Вижте Ръководството за работа с оборудването за разположението и работата с устройствата за дистанционно управление.

## Символи за управление на двигателя и техните значения

 Обороты на двигателя – БЪРЗИ	 Обороты на двигателя – БАВНИ
 Обороты на двигателя – СПРЕНИ	 ВКЛ. – ИЗКЛ.
 Стартане на двигателя Смукач ЗАТВОРЕН	 Стартане на двигателя Смукач ОТВОРЕН
 Капачка на резервоара за гориво Кранче за подаване на гориво ОТВОРЕНО	 Кранче за подаване на гориво ЗАТВОРЕНО

## Експлоатация

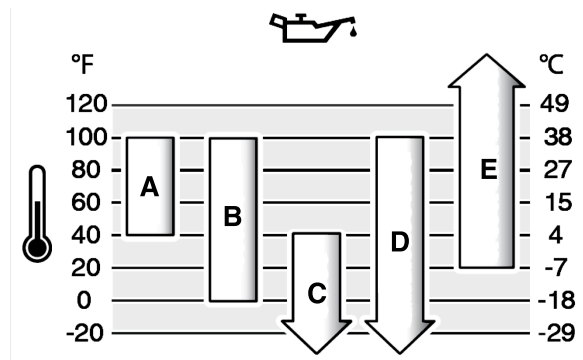
### Препоръки за маслото

**Вместимост на масло:** Вижте раздел *Технически данни*.

За най-добра производителност препоръчваме да се използват сертифицирани с гаранция масла на Briggs & Stratton®. Разрешени са и други висококачествени почистващи масла от клас SF, SG, SH, SJ или по-висок. Не използвайте специални добавки.

Използвайте таблицата, за да изберете най-добрия вискозитет за очаквания диапазон на външна температура. Двигателите на повечето машини за използване на открито работят добре със синтетично масло 5W-30. Синтетичното масло

Vanguard® 15W-50 осигурява най-добрата защита за оборудване, което се използва при високи температури.



<b>A</b>	<b>SAE 30</b> – Употребата на SAE 30 при температури под 40°F (4°C) ще доведе до трудно стартиране.
<b>B</b>	<b>10W-30</b> – Употребата на 10W-30 при температури над 80°F (27°C) може да предизвика повишен разход на маслото. Проверявайте често нивото на маслото.
<b>C</b>	<b>5W-30</b>
<b>D</b>	<b>Синтетично масло 5W-30</b>
<b>E</b>	<b>Синтетично Vanguard® 15W-50</b>

## Проверете нивото на маслото

Преди да проверите или да долеете масло

- Уверете се, че двигателят е разположен хоризонтално.
- Почистете от отпадъци мястото около отвора за наливане на масло.
- Вижте раздел *Технически данни* относно вместимостта за маслото.

### ПРЕДУПРЕЖДЕНИЕ

Този двигател се доставя от Briggs & Stratton без масло. Производителите на оборудването или търговците може да са добавили масло в двигателя. Преди да стартирате двигателя за първи път, уверете се, че маслото е на правилното ниво. Добавяйте масло, както е посочено в инструкциите в това ръководство. Ако стартирате двигателя без масло, той ще се повреди и ремонтът няма да бъде покрит от гаранцията.

1. Извадете щеката на нивопоказателя (А, фигура 5) и я почистете с кърпа.
2. Поставете и затегнете щеката на нивопоказателя (А, Фигура 5).
3. Свалете нивопоказателя и проверете нивото на маслото. Уверете се, че нивото на маслото е до горната част на индикатора за напълване (В, фигура 5) върху щеката.
4. Ако нивото на маслото е ниско, бавно долейте през отвора за моторно масло (С, Фигура 5). Не добавяйте твърде много масло.
5. Изчакайте една минута и отново проверете нивото на маслото. Уверете се, че нивото на маслото е добре.
6. Поставете и затегнете щеката на нивопоказателя (А, Фигура 5).

## Система за защита от ниско ниво на маслото (ако има такава)

На някои двигатели е инсталиран сензор за ниско ниво на маслото. Ако маслото е малко, сензорът ще изведе предупредителна светлина или ще спре двигателя. Спрете двигателя и следвайте тези стъпки, преди да стартирате двигателя.

- Уверете се, че двигателят е разположен хоризонтално.
- Проверете маслото. Вижте раздел *Проверка нивото на маслото*.
- Ако нивото на маслото е ниско, добавете необходимото количество масло. Стартирайте двигателя и се уверете, че не се включва предупредителната светлина (ако има такава).
- Ако нивото на маслото не е ниско, не стартирайте двигателя. Свържете се с упълномощен сервизен представител на Briggs & Stratton, за да отстраните проблема с маслото.

## Препоръки за горивото

**Горивото трябва да отговаря на следните изисквания:**

- Чист, пресен, безоловен бензин.
- Минимум 87 октана/87 AKI (91 RON). За работа при голяма надморска височина вижте по-долу.
- Позволен е бензин с до 10% съдържание на етанол (бензоспирт).

### ПРЕДУПРЕЖДЕНИЕ

Да не се използват неодобрени марки бензини, като E15 и E85. Не смесвайте масло с бензина и не променяйте двигателя за работа с алтернативни горива. Използването на неодобрени горива може да доведе до повреда на елементи от двигателя, чиито ремонт няма да бъде покрит от гаранцията.

За защита на горивната система от образуване на клей и корозия смесете стабилизатор на гориво без алкохол и етанолов разредител към горивото. Вижте раздел **Съхранение**. Всички горива са различни. Ако започнат да се появяват проблеми със стартирането или производителността, сменете доставчиците или марката на горивото. Този двигател е сертифициран за работа с бензин. Системата за контрол на емисиите за карбураторни двигатели е EM (Модификации на двигателя). Системите за контрол на емисиите за двигатели с електронно впръскване на горивото са ECM (модул за управление на двигателя), MFI (многооточково впръскване на горивото), TBI (впръскване на горивото в дроселовата клапа) и, ако има монтиран, O2S (кислороден сензор).

#### Голяма надморска височина

При надморски височини над 5 000 фута (1 524 метра), позволеният бензин е минимум 85 октана/85 AKI (89 RON).

При карбураторни двигатели е необходимо регулиране за големи надморски височини, за да се запази производителността. Работата без тази настройка ще доведе до понижена производителност, по-голям разход на гориво и повишени емисии. Свържете се с упълномощен сервизен представител на Briggs & Stratton за информация относно регулирането за големи надморски височини. Не се препоръчва работа на двигателя при надморска височина под 2 500 ход (762 м) с направено регулиране за голяма надморска височина.

При двигатели с електронно впръскване на горивото (EFI) не е необходима настройка за голяма надморска височина.

## Доливане на гориво



### ПРЕДУПРЕЖДЕНИЕ

Горивото и неговите пари са възпламеними и взривоопасни. Пожар или експлозия може да доведе до изгаряния или смърт.

#### Когато добавяте гориво

- Спрете двигателя. Преди да свалите капачката за гориво, изчакайте най-малко две (2) минути, за да си гарантирате, че двигателят се е охладил.
- Напълнете резервоара за гориво на открито или в помещение с добра вентилация.
- Не слагайте твърде много гориво в резервоара. За да оставите възможност за разширение на горивото, не пълнете над долната част на гърлото на резервоара за гориво.
- Дръжте горивото далече от искри, открити пламъци, пилотни светлини, топлина и други източници на запалване.
- Често преглеждайте горивопроводите, резервоара за гориво, капачката на горивото и връзките за наличие на пукнатини или течове. Подменете повредените части.
- Ако горивото се разлиее, изчакайте, докато се изпари преди да стартирате двигателя.

1. Почистете пространството около капачката на резервоара за гориво от мръсотия и остатъци. Свалете капачката на резервоара за гориво.
2. Напълнете резервоара за гориво (А, фигура 6) с гориво. Тъй като горивото се разширява, не пълнете над долната част на гърлото на резервоара (В).
3. Поставете обратно капачката за гориво.

## Стартиране на двигателя



### ПРЕДУПРЕЖДЕНИЕ

Случайна искра от двигателя може да причини токов удар, пожар или експлозия, и може да доведе до захващане, травматична ампутация или разкъсни наранявания.

#### Преди да извършвате настройки или поправки:

- Разкачете кабелите на всички запалителни свещи и ги дръжте далеч от тях.
- Разкачете кабела от отрицателната клемма на акумулатора (само при двигатели с електрически стартер).
- Използвайте само правилните инструменти.

#### Когато проверявате за искра:

- Използвайте одобрен тестер за свещи.
- Не проверявайте за искра при извадена запалителна свещ.



### ПРЕДУПРЕЖДЕНИЕ

Бързото изтегляне на въжето на стартера (откат) притегля дланта и ръката Ви към двигателя по-бързо, отколкото Ви можете да я отдръпнете. Това може да причини счупване на кости, фрактури, натъртвания или навяхвания.

- За да избегнете отката, при стартиране на двигателя, издръпайте бавно въжето на стартера, докато усетите съпротивление, а след това дръпнете рязко.
- Изключете или премахнете всички външни товари на оборудването/двигателя, преди да го стартирате.
- Уверете се, че директно прикачените към двигателя елементи, като, но не само остриета, крилни витла, лебедки и зъбни колела, трябва да бъдат правилно прикрепени.



### ПРЕДУПРЕЖДЕНИЕ

ОПАСНОСТ ОТ ОТРОВНИ ГАЗОВЕ. Отработените газове от двигателя съдържат въглероден оксид, отровен газ, който би могъл да Ви убие за минути. Дори ако не усещате отработените газове, все още можете да бъдете изложени на въздействието на отровен въглероден оксид. Ако усетите гадене, замайване или слабост докато използвате този продукт, ВЕДНАГА излезте на чист въздух. Отидете на лекар. Възможно е да сте получили отравяне с въглероден окис.

- Въглеродният окис може да се натрупва в затворени помещения. Работете с този продукт САМО на открито, далече от прозорци, врати и вентилационни отвори, за да намалите риска от натрупване на въглероден окис.
- Монтирайте сигнални уредби за наличие на въглероден оксид, захранвани с батерии или чрез щепсел, според инструкциите на производителя. Сигналните уредби за дим не могат да засичат въглероден окис.
- НЕ работете с този продукт в домове, гаражи, мазета, непреходни коридори, хангари или други затворени помещения, дори при използване на вентилатори или при отворени врати и прозорци за вентилация. След работата с този продукт, въглеродният окис може бързо да се натрупа в тези помещения и да остане с часове.
- ВИНАГИ поставяйте този продукт по посока на въздушното течение и насочвайте изгорелите газове от двигателя далече от обитаваните помещения.

### ПРЕДУПРЕЖДЕНИЕ

Този двигател се доставя от Briggs & Stratton без масло. Производителите на оборудването или търговците може да са добавили масло в двигателя. Преди да стартирате двигателя за първи път, уверете се, че маслото е на правилното ниво. Добавяйте масло, както е посочено в инструкциите в това ръководство. Ако стартирате двигателя без масло, той ще се повреди и ремонтът няма да бъде покрит от гаранцията.

**ЗАБЕЛЕЖКА:** Вашето оборудване може да има прибори за дистанционно управление. Вижте ръководството на машината за разположението и експлоатацията на приборите за дистанционно управление.

### Типове стартираци системи

Преди стартиране на двигателя трябва да определите вида на стартиращата система на двигателя. Вашият двигател е с една от тези видове системи.

- **Система за електронно впръскване на горивото (EFI):** Някои EFI системи няма смучач или подкачваща помпа.
- **Система за електронно управление на горивото (EFM):** Системата за електронно управление на горивото разполага с блок за електронно управление (ECU), който наблюдава двигателя и температурните условия. Няма ръчен смучач или подкачваща помпа.
- **Система със смучач:** Този тип система има смучач, който да бъде използван при ниски температури. Някои модели притежават отделен прибор за управление на смучача, докато други имат комбинация от смучач и дроселна клапа. Този вид няма подкачваща помпа.

## Система за електронно впръскване на горивото (EFI)

1. Проверете моторното масло. Вижте раздел **Проверка на нивото на маслото**.
2. Уверете се, че задвижващите управления на оборудването, ако има такива, са изключени.
3. Завъртете кранчето за подаване на гориво (А, Фигура 7), ако има такова, до позиция ОТВОРЕНА.
4. Натиснете стоп-ключ (F, Фигури 7, 8), ако има такъв, до позиция „Вкл.“.
5. Преместете ръчната газ (В, Фигура 8), ако има такова, на позиция БЪРЗО. Включете двигателя на положение за БЪРЗИ обороти.
6. **Ръчно стартиране, ако има такова, с превключвател с ключ:** Завъртете превключвателя с ключ (D, фигури 7, 8) до позиция „ВКЛ.“.
7. **Ръчно стартиране, ако има такова:** Хванете здраво ръкохватката на въжето за стартера (Е, Фигури 7, 8). Изтеглете бавно дръжката на въжето на стартера, докато почувствате съпротивление, след което го дръпнете рязко.



#### ПРЕДУПРЕЖДЕНИЕ

Бързото оттегляне на въжето на стартера (откат) ще притегли цялата Ви ръка към двигателя по-бързо, отколкото Вие можете да я оттеглите. Това може да причини счупване на кости, фрактури, контузии и навяхвания. За да избегнете отката, при стартиране на двигателя, издърпайте бавно въжето на стартера, докато усетите съпротивление, а след това дръпнете рязко.

8. **Електрически стартер, ако има такъв:** Завъртете ключа за електрическо стартиране (D, фигури 7, 8) на позиция „ВКЛ.“ или „СТАРТ“.

**ПРЕДУПРЕЖДЕНИЕ** Използвайте кратки стартови цикли (най-много пет секунди) за удължаване на живота на стартера. Изчакайте една минута между отделните стартови цикли.

Ако двигателят не стартира след 3-4 опита, свържете се с местния търговец или отидете на [vanguardpower.com](http://vanguardpower.com), или се обадете на 1-800-999-9333.

#### Система за електронно управление на горивото

1. Проверете моторното масло. Вижте раздел *Проверка на нивото на маслото*.
2. Уверете се, че задвижващите управления на оборудването, ако има такива, са изключени.
3. Завъртете кранчето за подаване на гориво (A, Фигура 7), ако има такова, до позиция ОТВОРЕНА.
4. Натиснете стоп-ключ (F, Фигури 7, 8), ако има такъв, до позиция „Вкл.“.
5. Преместете ръчната газ (B, Фигура 8), ако има такава, на позиция БЪРЗО. Включете двигателя на положение за БЪРЗИ обороти.
6. **Ръчно стартиране, ако има такова, с превключател с ключ:** Завъртете превключателя с ключ (D, фигури 7, 8) до позиция „ВКЛ.“.
7. **Ръчно стартиране, ако има такова:** Хванете здраво ръкохватката на въжето за стартера (E, Фигури 7, 8). Изтеглете бавно дръжката на въжето на стартера, докато почувствате съпротивление, след което го дръпнете рязко.



#### ПРЕДУПРЕЖДЕНИЕ

Бързото оттегляне на въжето на стартера (откат) ще притегли цялата Ви ръка към двигателя по-бързо, отколкото Вие можете да я оттеглите. Това може да причини счупване на кости, фрактури, контузии и навяхвания. За да избегнете отката, при стартиране на двигателя, издърпайте бавно въжето на стартера, докато усетите съпротивление, а след това дръпнете рязко.

8. **Електрически стартер, ако има такъв:** Завъртете ключа за електрическо стартиране (D, фигури 7, 8) на позиция „ВКЛ.“ или „СТАРТ“.

**ПРЕДУПРЕЖДЕНИЕ** Използвайте кратки стартови цикли (най-много пет секунди) за удължаване на живота на стартера. Изчакайте една минута между отделните стартови цикли.

Ако двигателят не стартира след 3-4 опита, свържете се с местния търговец или отидете на [vanguardpower.com](http://vanguardpower.com), или се обадете на 1-800-999-9333.

#### Система със смукач

1. Проверете моторното масло. Вижте раздел *Проверка на нивото на маслото и доливане*.
2. Уверете се, че задвижващите управления на оборудването, ако има такива, са изключени.
3. Завъртете кранчето за подаване на гориво (A, Фигура 7), ако има такова, до позиция ОТВОРЕНА.
4. Натиснете стоп-ключ (F, Фигури 7, 8), ако има такъв, до позиция „Вкл.“.
5. Преместете приборите за управление на дроселната клапа (B, Фигура 7), ако има такива, на позиция „БЪРЗИ ОБОРОТИ“. Включете двигателя на положение за БЪРЗИ обороти.
6. Преместете лоста на смукача (C, Фигури 9, 10) на позиция „ЗАТВОРЕНА“.

**ЗАБЕЛЕЖКА:** Обикновено, не е необходим смукач при стартиране на топъл двигател.

7. **Ръчно стартиране, ако има такова, с превключател с ключ:** Завъртете превключателя с ключ (D, фигури 7, 8) до позиция „ВКЛ.“.

8. **Ръчно стартиране, ако има такова:** Хванете здраво ръкохватката на въжето за стартера (E, Фигури 7, 8). Изтеглете бавно дръжката на въжето на стартера (E), докато почувствате съпротивление, след което го дръпнете рязко.



#### ПРЕДУПРЕЖДЕНИЕ

Бързото оттегляне на въжето на стартера (откат) ще притегли цялата Ви ръка към двигателя по-бързо, отколкото Вие можете да я оттеглите. Това може да причини счупване на кости, фрактури, контузии и навяхвания. За да избегнете отката, при стартиране на двигателя, издърпайте бавно въжето на стартера, докато усетите съпротивление, а след това дръпнете рязко.

9. **Електрическо стартиране, ако има такова:** Завъртете превключателя с ключ (D, фигури 7, 8) на позиция „Вкл.“ или „Старт“.

#### ПРЕДУПРЕЖДЕНИЕ

Използвайте кратки стартови цикли (най-много пет секунди) за удължаване на живота на стартера. Изчакайте една минута между отделните стартови цикли.

10. Щом двигателят загрее, поставете лоста на смукача (C, Фигури 9, 10) на позиция „ОТВОРЕНА“.

**ЗАБЕЛЕЖКА:** Ако двигателят не стартира след 2-3 опита, свържете се с Вашия местен търговец или отидете на [vanguardpower.com](http://vanguardpower.com), или се обадете на 1-800-999-9333.

#### Спрете двигателя



#### ПРЕДУПРЕЖДЕНИЕ

Горивото и неговите пари са възпламеними и взривоопасни. Пожар или експлозия може да доведе до изгаряния или смърт.

- Не запущвайте карбуратора (ако има такъв) за да спрете двигателя.

1. **Стоп-ключ, ако има такъв:** Завъртете стоп-ключ (F, фигура 11) до позиция „Изкл.“.
2. **Превключател с ключ, ако има такъв:** При прибори за управление на дроселната клапа на позиция Бавни обороти, завъртете превключателя с ключ (D, Фигура 11) на позиция „Изкл.“. Извадете ключа и го дръжте на безопасно място, далече от обсега на децата.
3. След спирането на двигателя, завъртете кранчето за подаване на гориво (A, фигура 11), ако има такова, до позиция ЗАТВОРЕНА.

## Техническо обслужване

### Информация за техническо обслужване



#### ПРЕДУПРЕЖДЕНИЕ

Горивото и неговите пари са възпламеними и взривоопасни. Пожар или експлозия може да доведе до изгаряния или смърт.

По време на поддръжката, ако е необходимо да наклоните уреда, уверете се, че резервоарът за гориво, ако е монтиран на двигателя, е празен и че е изправен откъм страната на запалващата свещ. Ако резервоарът за гориво не е празен, може да изтече гориво и да причини пожар или експлозия. Ако двигателят е наклонен в друга посока, той няма лесно да се стартира поради замърсяване с масло или гориво на въздушния филтър или на запалителната свещ.



#### ПРЕДУПРЕЖДЕНИЕ

Случайна искра от двигателя може да причини токов удар, пожар или експлозия, и може да доведе до захващане, травматична ампутация или разкъсани наранявания.

#### Преди да извършвате настройки или поправки:

- Разкачете кабелите на всички запалителни свещи и ги дръжте далеч от тях.
- Разкачете кабела от отрицателната клема на акумулатора (само при двигатели с електрически стартер).
- Използвайте само правилните инструменти.

#### Когато проверявате за искра:

- Използвайте одобрен тестер за свещи.
- Не проверявайте за искра при извадена запалителна свещ.



#### ПРЕДУПРЕЖДЕНИЕ

Резервните части трябва да бъдат със същата конструкция и да се монтират в същото положение, както оригиналните части. Другите части може да се повредят или да се причини нараняване.

## ПРЕДУПРЕЖДЕНИЕ

Всички компоненти, използвани при производството на този двигател, трябва да бъдат на мястото си за правилната му работа.

За всякакви дейности по поддръжката и сервизното обслужване на двигателя и негови части се обръщайте към упълномощен сервизен представител на Briggs & Stratton.

## Сервизно обслужване по контрола на вредните емисии

За поддръжка, смяна или ремонт на устройствата и системите за контрол на вредните емисии, се свържете с квалифициран ремонтен цех или техник, ремонтиращ двигатели, които не се използват за транспортни цели. Все пак, за „безплатно“ сервизно обслужване по контрола на вредните емисии, работата трябва да бъде изпълнена от упълномощен представител на завода. Вижте Отчетите по контрола на вредните емисии.

## График за техническо обслужване

На интервали от 8 часа или ежедневно
<ul style="list-style-type: none"><li>Проверете нивото на моторното масло.</li><li>Почистете повърхностите около шумозаглушителя и приборите за управление.</li></ul>
На интервали от 100 часа или годишно
<ul style="list-style-type: none"><li>Сменете запалителните свещи.</li><li>Сменете моторното масло.</li><li>Сменете масления филтър (ако има такъв).</li><li>Обслужете въздушния филтър<sup>1</sup>.</li><li>Почистете предфилтъра (ако има такъв)<sup>1</sup>.</li><li>Обслужете изпускателната система.</li></ul>
На интервали от 250 часа или годишно
<ul style="list-style-type: none"><li>Проверете луфтовете на клапаните. Регулирайте ги, ако е необходимо.</li></ul>
На интервали от 400 часа или годишно
<ul style="list-style-type: none"><li>Сменете въздушния филтър.</li><li>Сменете горивния филтър.</li><li>Обслужете системата за охлаждане на въздуха<sup>1</sup>.</li><li>Почистете ребрата на масления радиатор<sup>1</sup>.</li></ul>

<sup>1</sup> Почиствайте по-често в условия на запрашеност или когато във въздуха има много частици.

## Система за електронно впръскване на горивото (EFI)

Системата EFI наблюдава температурата и скоростта на двигателя, както и напрежението на акумулатора, при стартиране и загряване на двигателя. Системата не се нуждае от регулиране. Ако възникнат проблеми при стартирането или работата, свържете се с упълномощен сервизен представител на Briggs & Stratton.

**ПРЕДУПРЕЖДЕНИЕ** Уверете се, че следват стъпките по-долу, в противен случай системата EFI може да се повреди.

- НЕ стартирайте двигателя при разхлабени кабели на акумулатора.
- Преди да разедините, свалите и/или поставите акумулатора, завъртете ключа до позиция ИЗКЛ.
- НЕ използвайте зарядно устройство за акумулатора, за да стартирате двигателя.
- НЕ разкачвайте кабелите на акумулатора по време на работа на машината.
- При разкачване на кабелите на акумулатора, първо свържете положителния (+), а след това отрицателния (-) кабел.
- Когато зареждате акумулатора, завъртете ключа на запалването до позиция ИЗКЛ. и откачете отрицателния (-) кабел от акумулатора.
- НЕ пръскайте вода директно върху електронния модул за управление.

## Система за електронно управление на горивото

Системата за електронно управление на горивото наблюдава температурата и оборотите на двигателя, както и напрежението на акумулатора, за да регулира смукача при стартиране и загряване на двигателя. Системата не се нуждае от регулиране. Ако възникнат проблеми при стартирането или работата, свържете се с упълномощен сервизен представител на Briggs & Stratton.

**ПРЕДУПРЕЖДЕНИЕ** Уверете се, че следват тези правила или системата за електронно управление на горивото може да се повреди.

- НЕ стартирайте двигателя при разхлабени кабели на акумулатора.
- Преди да свържете кабелите за стартиране или да разкачите или свържете отново кабелите на акумулатора, завъртете ключа за запалването до позиция ИЗКЛ. Когато зареждате акумулатора, завъртете ключа за запалването до позиция ИЗКЛ.
- При разкачване на кабелите на акумулатора, първо разкачете отрицателния (-), а след това положителния (+) кабел. При свързване на кабелите на акумулатора, първо свържете положителния (+), а след това отрицателния (-) кабел.
- НЕ използвайте зарядно устройство за акумулатора, за да стартирате двигателя.
- НЕ разкачвайте кабелите на акумулатора по време на работа на машината.
- НЕ пръскайте вода директно върху блока за електронно управление.

## Карбуратор и обороти на двигателя

Не регулирайте карбуратора, пружината на центробежния регулатор, лостовите връзки или други части с цел регулиране оборотите на двигателя. Ако се налагат регулирания се свържете с упълномощен сервизен представител на Briggs & Stratton за обслужване.

### ПРЕДУПРЕЖДЕНИЕ

Производителят на оборудването определя максималните обороти за двигателя, който е монтиран. Не превишавайте тези обороти. Ако не сте сигурни какви са максималните обороти на оборудването или какви обороти са регулирани от завода, свържете се с упълномощен сервизен представител на Briggs & Stratton за помощ. За безопасна и правилна работа на оборудването, оборотите на двигателя трябва да се регулират само от квалифициран сервизен техник.

## Обслужване на запалителната свещ

Проверявайте искровата междина на запалителната свещ (А, фигура 12) с помощта на измервателен прибор за кабели (В). Ако е необходимо, регулирайте искровата междина на запалителната свещ. Монтирайте и затегнете запалителната свещ с препоръчвания въртящ момент. За спецификации за междината или въртящия момент, вижте раздел **Спецификации**.

## Обслужване на изпускателната система



### ПРЕДУПРЕЖДЕНИЕ

По време на работа, двигателят и шумозаглушителят се нагорещават. Ако докоснете горещ двигател, може да се изгорите.

Запалимите материали, като листа, трева и сухи клонки, могат да се запалят.

- Преди да докоснете двигателя или шумозаглушителя, спрете двигателя и изчакайте две (2) минути. Уверете се, че е безопасно да докосвате двигателя и шумозаглушителя.
- Отстранете отпадъците от шумозаглушителя и двигателя.

Според Правилника на Калифорния за обществените ресурси, раздел 4442, използването или работата с двигателя по залесени с гори, храсти или с тревни площи представлява нарушение, освен ако системата за отработени газове не е снабдена с искрогасител, поддържан в ефикасно работно състояние, както е определено в раздел 4442. Други щати или федерални юрисдикции могат да имат подобни закони; за справка – Федерален регламент 36 CFR, част 261.52. Свържете се с производителя, търговеца или продавача на оригинално оборудване, за да получите искроуловител, проектиран за системата за отработени газове на този двигател.

Премахнете остатъците от областта на шумозаглушителя и цилиндъра. Проверете шумозаглушителя за пукнатини, корозия или друг вид повреда. Свалете преградата или искрогасителя, ако има такива, и проверете за повреда или запушване със сажди. Ако откриете повреда, монтирайте резервните части на оборудването, преди да започнете работа.



### ПРЕДУПРЕЖДЕНИЕ

Резервните части трябва да бъдат със същата конструкция и да се монтират в същото положение, както оригиналните части. Другите части може да се повредят или да се причини нараняване.



## Смяна на маслото на двигателя



### ПРЕДУПРЕЖДЕНИЕ

Горивото и неговите пари са възпламеними и взривоопасни. Пожар или експлозия може да доведе до изгаряния или смърт.

По време на работа, двигателят и шумозаглушителят се нагорещават. Ако докоснете горещ двигател, може да се изгорите.

- Ако източвате маслото от горната тръба за пълнене на масло, резервоарът за гориво трябва да бъде празен. Ако не е празен, може да изтече гориво и да причини пожар или експлозия.
- Преди да докоснете двигателя или шумозаглушителя, спрете двигателя и изчакайте две (2) минути. Уверете се, че е безопасно да докосвате двигателя и шумозаглушителя.

Отработеното масло е опасен отпадъчен продукт и трябва да се изхвърля по подходящ начин. Да не се изхвърля с домакинските отпадъци. Свържете се с местните власти, обслужващият център или представител за безопасно депониране или рециклиране.

### Раздел Източване на маслото

1. При ИЗКЛ., но все още топъл двигател, откачете кабела(ите) на запалителната(ите) свещ(и) (D, фигура 13) и го(и) дръжте далече от запалителната(те) свещ(и) (E).
2. Извадете щеката на нивоказателя (A, Фигура 14, 15).
3. Свалете пробката за източване на маслото (F, фигура 16, 17). Източете маслото в подходящ контейнер.
4. Поставете и затегнете пробката за източване на маслото (F, Фигура 16, 17).

### Смяна на маслен филтър, ако има такъв

1. Източете маслото от двигателя. Вижте раздел *Източване на маслото*.
2. Свалете масления филтър (G, фигури 18, 19) и го изхвърлете правилно.
3. Преди да поставите новия маслен филтър, леко намажете уплътнението му с чисто масло.
4. Поставете масления филтър с ръка, докато уплътнението докосне адаптера му, след това затегнете масления филтър с 1/2 до 3/4 оборота.
5. Долейте масло. Вижте раздел *Доливане на масло*.
6. Двигателят трябва да се стартира и да работи. Докато двигателят загрява, проверете за течове на масло.
7. Спрете двигателя. Уверете се, че нивото на маслото е до горната част на индикатора за напълване върху щеката на нивоказателя. Вижте раздел *Доливане на масло*.

### Доливане на масло

- Уверете се, че двигателят е разположен хоризонтално.
- Почистете от всички отпадъци мястото около отвора за наливане на масло.
- Вижте раздел *Технически данни* относно вместимостта за маслото.

1. Извадете щеката на нивоказателя (A, Фигура 20, 21). С чиста кърпа почистете маслото от щеката на нивоказателя.
2. Бавно налейте масло в отвора за наливане на моторно масло (C, Фигура 20, 21). **Не препълвайте.** Изчакайте една минута и отново проверете нивото на маслото.
3. Поставете и затегнете щеката на нивоказателя (A, Фигура 20, 21).
4. Свалете нивоказателя и проверете нивото на маслото. Правилното ниво на маслото е до горната част на индикатора за напълване (B, фигури 20, 21) върху щеката на нивоказателя.
5. Поставете и затегнете щеката на нивоказателя (A, Фигура 20, 21).
6. Свържете кабела(ите) на запалителната(ите) свещ(и) (D, фигура 20) със запалителната(ите) свещ(и).

### Обслужване на въздушния филтър



### ПРЕДУПРЕЖДЕНИЕ

Изпаренията на горивата са възпламеними и взривоопасни. Пожар или експлозия може да доведе до изгаряния или смърт.

- Не стартирайте и не работете с двигателя при демонтиран комплект на въздушния филтър (ако има такъв) или със свален въздушен филтър (ако има такъв).

### ПРЕДУПРЕЖДЕНИЕ

Не използвайте състен въздух или разтворители, за да почиствате филтъра. Състеният въздух може да причини повреда на филтъра, а разтворителите да го разтворят.

Вижте *Графика за техническото обслужване* относно изискванията за обслужване.

Някои модели са оборудвани и с предфилтър по желание, който може да бъде почистен и използван отново. Сравнете илюстрациите в това ръководство с типа филтър, монтиран на Вашия двигател.

1. **Модели без резервоар за гориво:** Отворете фиксатора(те) (A, фигура 22) и демонтирайте капака (B).
2. **Модели с резервоар за гориво:** Демонтирайте закрепващия(ите) елемент(и) (C, Фигура 23) и капака (D).
3. Свалете гайката (D, Фигури 22, 23) и задържащия щифт (E).
4. Свалете въздушния филтър (F, фигури 22, 23).
5. Свалете предфилтъра (G, Фигури 22, 23), ако има такъв, от въздушния филтър (F).
6. За да освободите наслояванията, леко потупайте въздушния филтър (F, фигури 22, 23) върху твърда повърхност. Ако въздушният филтър е замърсен, сменете го с нов.
7. Почистете предфилтъра (G, фигури 22, 23), ако има такъв, във воден разтвор на почистващ препарат. Оставете предфилтъра да изсъхне хубаво. **НЕ** смазвайте предфилтъра.
8. Монтирайте изсъхналия предфилтър (G, Фигури 22, 23), ако има такъв, към въздушния филтър (F).
9. Монтирайте въздушния филтър (F, Фигури 22, 23) и закрепете посредством задържащия щифт (E) и гайката (D).
10. Поставете капака (B, фигури 22, 23).

### Обслужване на горивната система



### ПРЕДУПРЕЖДЕНИЕ

Горивото и неговите пари са възпламеними и взривоопасни. Пожар или експлозия може да доведе до изгаряния или смърт.

- Дръжте горивото далече от искри, открити пламъци, пилотни светлини, топлина и други източници на запалване.
- Често преглеждайте горивопроводите, резервоара за гориво, капачката на горивото и връзките за наличие на пукнатини или течове. Подменете повредените части.
- Ако горивото се разлиее, изчакайте, докато се изпари преди да стартирате двигателя.

### Горивен филтър, ако има такъв

1. Преди смяна на горивния филтър (A, Фигура 24) източете резервоара или затворете крапчето за подаване на гориво. Ако резервоарът не е източен, може да изтече гориво и да причини пожар или експлозия.
2. Стиснете с клещи краищата (B, Фигура 24) на скобите (C) и свалете скобите от горивния филтър (A).
3. Извадете (с въртене) горивопроводите (D, Фигура 24) от горивния филтър.
4. Проверете горивопроводите (D, Фигура 24) за пукнатини или течове. Ако е необходимо, сменете горивопроводите.
5. Сменете горивния филтър (A, Фигура 24).
6. Закачете горивопроводите (D, Фигура 24) със скобите (C).

### Обслужване на системата за охлаждане



### ПРЕДУПРЕЖДЕНИЕ

По време на работа, двигателят и шумозаглушителят се нагорещават. Ако докоснете горещ двигател, може да се изгорите.

Запалими отпадъци, като листа, трева и сухи клонки, могат да бъдат запалени.

- Преди да докоснете двигателя или шумозаглушителя, спрете двигателя и изчакайте две (2) минути. Уверете се, че е безопасно да докосвате двигателя и шумозаглушителя.
- Отстранете отпадъците от шумозаглушителя и двигателя.

### ПРЕДУПРЕЖДЕНИЕ

Не използвайте вода за почистване на двигателя. Водата може да причини замърсяване на горивната система. Използвайте четка или суха кърпа, за да почистите двигателя.

Това е двигател с въздушно охлаждане. Нечистотиите или отпадъците могат да възпрепятстват въздушния поток и да причинят прегряване на двигателя, което води до незадоволителни резултати и намалена продължителност на живота му.

1. Използвайте четка или суха кърпа, за да отстраните наслояванията от решетката на отвора за въздуха.
2. Пазете чисти връзките, пружините и приборите за управление.
3. Пазете пространството около и зад шумозаглушителя, ако има такъв, без запалими наслоявания.
4. Уверете се, че перките на охладителя на маслото, ако има такъв, са чисти.

След известно време, могат да се натрупат отломки върху охладителните ребра на цилиндъра и да доведат до прегряване на двигателя. Тези нежелани материали не могат да се отстранят без частично разглобяване на двигателя. Потърсете упълномощен сервизен представител на Briggs & Stratton за проверка и почистване на въздушната охладителна система, както се препоръчва в **Графика за техническо обслужване**.

## Складиране Горивна система

Вижте Фигура 25.



**ПРЕДУПРЕЖДЕНИЕ**  
Горивото и неговите пари са възпламеними и взривоопасни. Пожар или експлозия може да доведе до изгаряния или смърт.

### Съхранение на горивото

- Тъй като сигналните светлини или други източници на запалване могат да причинят експлозии, дръжте горивото или оборудването далеч от пещи, печки, бойлери или други уреди, които имат сигнални светлини.

Поддържайте нивото на двигателя (нормално работно положение). Напълнете резервоара за гориво (А, фигура 25) с гориво. За да се даде възможност за топлинно разширение на горивото, не пълнете над гърлото на резервоара за гориво (В).

Горивото може да застои, когато се съхранява повече от 30 дни. За да се предотврати влошаването на качествата му, се препоръчва използването на стабилизатор на гориво, несъдържащ алкохол, както и на етанолова добавка.

Когато пълните туба с гориво, добавете стабилизатор на гориво, несъдържащ алкохол, съгласно инструкциите на производителя. Ако бензинът в двигателя не е третиран със стабилизатор, трябва да се източни в подходящ контейнер. Оставете двигателя да работи докато останалото в него гориво свърши.

## Масло на двигателя

Докато двигателят е все още топъл, сменете маслото. Вижте раздел **Смяна на двигателното масло**.

## Откриване и отстраняване на неизправности

### Съдействие

За помощ, се свържете с Вашия местен търговец или отидете на **BRIGGSandSTRATTON.COM**, или се обадете на **1-800-444-7774** (в САЩ).

## Спецификации

### Спецификации и резервни части

МОДЕЛИ: 290000, 300000	
Работен обем	29.23 куб. инча (479 куб. см)
Отвор	2.677 инча (68 мм)
Работен ход на буталото	2.598 инча (66 мм)
Вместимост за масло	46 - 48 унции (1,36 - 1,42 л)
Искрова междина на запалителната свещ	.030 инча (.76 мм)
Въртящ момент за затягане на запалителната свещ	180 фунт-инч (20 Nm)
Арматурна въздушна междина - Модели карбуратори	.008 - .012 инча (.20 - .30 мм)
Междина на всмукателния клапан	.004 - .006 инча (.10 - .15 мм)
Междина на изпускателния клапан	.004 - .006 инча (.10 - .15 мм)

МОДЕЛ: 350000	
Работен обем	34.78 куб. инча (570 куб. см)
Отвор	2.835 инча (72 мм)

МОДЕЛ: 350000	
Работен ход на буталото	2.756 инча (70 мм)
Вместимост за масло	46 - 48 унции (1,36 - 1,42 л)
Искрова междина на запалителната свещ	.030 инча (.76 мм)
Въртящ момент за затягане на запалителната свещ	180 фунт-инч (20 Nm)
Арматурна въздушна междина - Модели карбуратори	.008 - .012 инча (.20 - .30 мм)
Междина на всмукателния клапан	.004 - .006 инча (.10 - .15 мм)
Междина на изпускателния клапан	.004 - .006 инча (.10 - .15 мм)

МОДЕЛ: 380000	
Работен обем	38.26 куб. инча (627 куб. см)
Отвор	2.972 инча (75,5 мм)
Работен ход на буталото	2.756 инча (70 мм)
Вместимост за масло	46 - 48 унции (1,36 - 1,42 л)
Искрова междина на запалителната свещ	.030 инча (.76 мм)
Въртящ момент за затягане на запалителната свещ	180 фунт-инч (20 Nm)
Арматурна въздушна междина - Модели карбуратори	.008 - .012 инча (.20 - .30 мм)
Междина на всмукателния клапан	.004 - .006 инча (.10 - .15 мм)
Междина на изпускателния клапан	.004 - .006 инча (.10 - .15 мм)

Мощността на двигателя ще намалява с 3,5% на всеки 1000 фута (300 метра) над морското ниво и с 1% за всеки 10°F (5,6°C) над 77°F (25°C). Двигателят ще работи задоволително при наклон до 15°. Вижте ръководството за употреба на оборудването за допустимите, безопасни граници за работа по наклони.

МОДЕЛИ: 290000, 300000, 350000, 380000	
Резервна част	Номер на частта
Въздушен филтър (с резервоар за гориво, Фигура 23)	383857
Въздушен филтър (с изключение на модел 380000, Фигура 22)	394018
Въздушен филтър (модел 380000, 22)	692519
Предфилтър за въздушен филтър (с резервоар за гориво, Фигура 23)	271794
Предфилтър за въздушен филтър (с изключение на модел 380000, Фигура 22)	272490
Предфилтър за въздушен филтър (Модел 380000, Фигура 22)	692520
Масло - SAE 30	100028
Маслен филтър	842921
Филтър за гориво (с резервоар за гориво)	808116
Филтър за гориво (с горивна помпа)	845125
Филтър за гориво (без горивна помпа)	298090
Резисторна запалителна свещ	491055S
Дълготрайна запалителна свещ с платинена сърцевина	696202, 5066K
Ключ за запалителната свещ	19576S
Искров тестер	84003327

Ние Ви препоръчваме да посетите упълномощен представител на Briggs & Stratton за всякакво техническо и сервизно обслужване на двигателя и части на двигателя.

## Номинална мощност

Общата номинална мощност за отделните модели бензинови двигатели се определя в съответствие с код J1940 от Процедура за оценка на мощността и въртящия момент на малки двигатели на SAE (Асоциация на автомобилните инженери) и се оценява в съответствие със SAE J1995. Стойностите на въртящия момент са отчетени при 2 600 об./мин. за двигателите, чиито „об./мин.“ са посочени на етикета, и при 3 060 об./мин. за всички останали; мощностите в конски сили са отчетени при 3 600 об./мин. Кривите на общата мощност могат да се видят на: [www.BRIGGSandSTRATTON.COM](http://www.BRIGGSandSTRATTON.COM). Стойностите на нетната мощност са отчетени при инсталирани системи за отделяне на изгорели газове и за почистване на въздуха, докато стойностите на общата мощност се отчитат без тези

прикачни устройства. Действителната обща мощност на двигателя е по-висока от нетната мощност и зависи, освен всичко друго, от условията на работната среда, както и от специфичните особености на всеки двигател. Имайки предвид голямото разнообразие от устройства, на които се инсталират такива двигатели, бензиновият двигател може да не е в състояние да развива общата номинална мощност, когато се използва в даден вид оборудване. Тези разлики се дължат на различни фактори, включително, но без ограничение до разнообразните компоненти на двигателяте (системи за очистване на въздуха, за отделяне на изгорели газове, за зареждане, за охлаждане, карбуратор, горивна помпа и др.), ограничения на приложението, условия на работната среда (температура, влажност, надморска височина), както и от специфичните особености на всеки двигател. Вследствие на ограниченията за производство и капацитет, Briggs & Stratton може да замени този двигател с двигател с по-висока номинална мощност.

## Гаранция

### Гаранция за двигател Briggs & Stratton®

В сила от м. август 2022 г.

#### Ограничена гаранция

Фирма Briggs & Stratton гарантира, че по време на указания по-долу гаранционен период ще поправи или замени безплатно всяка част, оказала се дефектна по отношение на материалите или изработката, или и двете с нова, възстановена или преработена част, единствено по преценка на Briggs & Stratton. Транспортните разходи за изпратения за ремонт или за замяна продукт по тази гаранция трябва да бъдат поети от клиента. Тази гаранция е валидна за определен срок и се подчинява на изложените по-долу условия. За гаранционно обслужване намерете най-близкия упълномощен сервизен представител на картата в нашия указател на представителите в BRIGGSandSTRATTON.COM. Потребителят трябва да се свърже с упълномощен сервизен представител, на когото да предостави продукта за оглед и изпитване.

**Няма друга изрична гаранция. Подразбиращите се гаранции, включително такива за годност за продажба или за определено предназначение, са ограничени до една година от датата на закупуване или до степента, разрешена от закона. Всички други подразбиращи се гаранции се изключват. Отговорността за непредвидени или закономерно настъпили вреди са изключени до степента на изключване, позволена от закона.** Някои щати или държави не допускат ограничения за срока на валидност на подразбиращите се гаранции. Също така някои щати или държави не позволяват изключване или ограничаване на отговорността за случайни или закономерно настъпили повреди, така че горното ограничение и изключване може да не се отнася за Вас. Тази гаранция Ви дава определени законови права, а Вие можете да имате и други такива, които са различни в отделните щати и в отделните държави.

#### Стандартни гаранционни условия<sup>1, 2</sup>

##### Vanguard®; Серия за търговска употреба

Лична употреба - 36 месеца

Търговска употреба - 36 месеца

##### Серия XR

Лична употреба - 24 месеца

Търговска употреба - 24 месеца

##### Всички други двигатели с чугунена риза Dura-Bore™

Лична употреба - 24 месеца

Търговска употреба - 12 месеца

##### Всички други двигатели

Лична употреба - 24 месеца

Търговска употреба - 3 месеца

<sup>1</sup> Това са нашите стандартни гаранционни условия, но е възможно понякога да има допълнително гаранционно покритие, което не е било определено към момента на публикуване на този документ. За списък на текущите гаранционни условия за вашия двигател посетете BRIGGSandSTRATTON.com или се свържете с вашия упълномощен сервизен представител на Briggs & Stratton.

<sup>2</sup> Не се предоставя гаранция за двигатели, монтирани на оборудване, което се ползва като основен енергоизточник вместо централно електрозахранване; за резервни генератори, ползвани за търговски цели, за специализирани превозни средства с мощност над 25 к.с. или за двигатели, използвани за състезания, за търговски цели или за отдаване под наем.

\* В Австралия – Нашите стоки се доставят с гаранции, които не могат да се изключват, по силата на австралийското законодателство за потребителите. При сериозен дефект имате право на замяна или възстановяване на сумата, както и на компенсация за всяка друга нормално предвидима загуба или повреда. Също така имате право на ремонт или замяна на стоката, в случай че тя не е с приемливо качество и повредата не може да се квалифицира като сериозен дефект. За гаранционно обслужване намерете най-близкия упълномощен сервизен представител на картата в нашия указател на представителите в

BRIGGSandSTRATTON.COM или се обадете на 1300 274 447, изпратете имейл или пишете на salesenquiries@briggsandstratton.com.au, Briggs & Stratton Australia Pty Ltd, 1 Moorebank Avenue, Moorebank, NSW, Австралия, 2170.

Гаранционният период започва от датата на закупуване от първия потребител на дребно или от крайния потребител за търговски цели и продължава за периода, посочен в горната таблица. „Потребителска употреба“ означава употреба за лични и домашни цели от краен потребител. „Търговска употреба“ означава всеки друг вид употреба, включително за търговски цели, за генериране на доходи или за отдаване под наем. След като веднъж двигателят е бил ползван за търговска употреба, по-нататък той ще бъде считан като двигател за търговска употреба за целите на тази гаранция.

**За да получите гаранция на продуктите Briggs & Stratton, не е необходима регистрация. Запазете касовата бележка като доказателство за покупката. Ако при заявяване на гаранционно обслужване не предоставите доказателство за датата на първоначално закупуване, за определяне на гаранционния срок ще бъде използвана датата на производство на продукта.**

#### Относно Вашата гаранция

Тази ограничена гаранция покрива само употребен в двигателя дефектен материал и/или изработка, а не замяната или възстановяването на средствата за оборудването, към което двигателят може да е монтиран. Текущото техническо обслужване, регулировки, настройки или нормалното износване и изхвърляне не са покрити от тази гаранция. Също така, гаранцията е невалидна, ако двигателят е видоизменен, преобразуван или серийният му номер е повреден или отстранен. Тази гаранция не покрива повреди или проблеми с работата на двигателите причинени от:

1. използването на части, които не са Briggs & Stratton
2. експлоатиране на двигателя с недостатъчно, замърсено или неправилно избрано масло за смазване;
3. Използване на замърсено или престояло гориво, на бензин, съдържащ над 10% етанол, или използването на алтернативни горива като втечен пропан-бутан или метан за двигатели, които поначало не са проектирани/произведени от Briggs & Stratton да работят с такива горива;
4. Замърсявания попаднали в двигателя вследствие на неправилно техническо обслужване или неправилно сглобяване на въздушния филтър;
5. удяране на предмет с режещия нож на ротационната полева косачка, разхлабени или неправилно поставени адаптери за ножовете, лопатките или други устройства, свързани към колянния вал, или от прекомерно натягане на трапецовидния ремък;
6. Свързани части или сборки, като съединители, трансмисии, органи за управление и други, които не са доставени от Briggs & Stratton;
7. прегряване, дължащо се на окосена трева, на замърсяване или отломки, или на гнезда на гризачи, които запущват или задърстват охлаждащите пластини или кожуха на маховика, или работа на двигателя без достатъчно охлаждане;
8. прекомерна вибрация, причинена от превишени обороти, хлабав монтаж на двигателя, хлабави или небалансирани ножове или перки, или неправилно свързване на елементите на оборудването към колянния вал;
9. неправилна употреба, липса на редовно техническо обслужване, неправилно транспортиране, маневриране или складиране на оборудването или неправилен монтаж на двигателя.

Гаранционното обслужване се предоставя само чрез упълномощените сервизни представители на Briggs & Stratton. Намерете най-близкия упълномощен сервизен представител на картата в нашия указател на представителите в BRIGGSandSTRATTON.COM или като се обадите на 1-800-444-7774 (в САЩ).

80114782 (Версия А)

## Obecné informace



Tato příručka obsahuje bezpečnostní informace o nebezpečí a rizicích, která souvisí s motorem, a jak ji předcházet. Obsahuje i pokyny, jak řádně motor používat a jak se něj starat. Je důležité, abyste si tyto pokyny přečetli, porozuměli jim a dodržovali je. **Návod si uschovejte pro budoucí potřebu.**

**POZNÁMKA:** Obrázky a ilustrace v tomto návodu slouží pouze pro referenční účely a mohou se lišit od vašeho specifického modelu. Použijte obrázky, které odpovídají konfiguraci vašeho motoru. V případě nutnosti kontaktujte autorizované servisní středisko.

Zapište si datum zakoupení, model motoru, typové a kódové číslo a sériové číslo motoru pro náhradní díly. Tato čísla jsou na motoru. Viz část **Funkce a ovládací prvky**.

Datum zakoupení	
Model motoru – typ – označení	
Sériové číslo motoru	

## Kontaktní údaje evropské kanceláře

Pokud jde o dotazy ohledně emisí v Evropě, obraťte se prosím na naši evropskou kancelář na adrese:

Max-Born-Straße 2, 68519 Viernheim, Německo.

## Emisní norma V (5) evropské unie (EU): Hodnoty oxidu uhličitého (CO<sub>2</sub>)

Hodnoty oxidu uhličitého pro motory Briggs & Stratton se schváleným certifikátem EU najdete tak, že do vyhledávacího okna na webu BriggsandStratton.com zadáte CO<sub>2</sub>.


## Informace o recyklaci



Veškeré kartony, krabice, použitý olej a baterie recyklujte v souladu s příslušnými předpisy.

## Bezpečnost obsluhy

### Bezpečností výstražné symboly a signální slova

Bezpečnostní varovná značka  uvádí bezpečnostní informace o rizicích, která mohou vést ke zranění osob. Signální slovo (**NEBEZPEČÍ**, **VAROVÁNÍ** nebo **POZOR**) upozorňuje na pravděpodobnost a možnost vážnosti poškození. Výstražný symbol se navíc používá k zobrazení typu rizika.







**NEBEZPEČÍ** ukazuje riziko, které, jestliže se mu nevyvarujete, **povede** ke smrti nebo vážnému poranění.





**VAROVÁNÍ** ukazuje na riziko, které, jestliže se mu nevyvarujete, **může vést** ke smrti nebo vážnému poranění.

**POZOR** ukazuje na riziko, které, jestliže se mu nevyvarujete, **může vést** ke menšímu či středně závažnému poranění.

**UPOZORNĚNÍ** označuje informace považované za důležité, ale nesouvisející s riziky.

### Výstražné symboly a jejich význam

 Bezpečnostní informace o rizicích, která mohou vést k poraněním.	 Před provozem či prováděním servisu jednotky si přečtěte návod k obsluze.
 Riziko požáru	 Riziko výbuchu
 Nebezpečí zásahu elektrickým proudem	 Riziko toxických plynů

 Riziko horkého povrchu	 Nebezpečí zpětného rázu
 Riziko amputace – pohyblivé součásti	 Hladina paliva – maximum Nepřepřlujete

## Bezpečnostní upozornění



### VAROVÁNÍ

Motory značky Briggs & Stratton® nejsou konstruovány pro pohánění následujících zařízení a nesmějí být tedy takto používány: vozítka, motokáry, dětská, rekreační nebo sportovní terénní vozidla (ATV), motocykly, vznášedla, letecké výrobky nebo vozidla používaná v soutěžích, které společnost Briggs & Stratton neschválila. Informace o soutěžních a závodních výrobcích naleznete na adrese [www.briggsracing.com](http://www.briggsracing.com). Informace o používání ve čtyřkolkách a ATV vozidlech side-by-side získáte v Power Application Center, středisku pro aplikaci motorů společnosti Briggs & Stratton, tel. 1-866-927-3349. Nesprávné použití motoru by mohlo vést ke smrti či vážnému poranění.



### VAROVÁNÍ

Palivo a jeho výpary jsou vysoce hořlavé a výbušné. Oheň či exploze mohou způsobit vážné popáleniny nebo smrt.

### Při doplňování paliva

- Vypněte motor. Před sejmutím uzávěru palivové nádrže počkejte alespoň dvě (2) minuty, aby se motor ochladil.
- Palivovou nádrž doplňujte venku nebo na dobře větraném místě.
- Palivovou nádrž nepřelévajte. Aby se umožnila expanze paliva, netankujte nad spodní část hrdla nádrže.
- Palivo udržujte mimo jiskry, otevřený oheň, pilotní světla, teplo nebo jiné zdroje vzplanutí.
- Pravidelně kontrolujte, zda palivové potrubí, palivová nádrž, uzávěr palivové nádrže a spoje nejsou popraskané nebo zda nedochází k úniku. Poškozené díly vyměňte.
- Jestliže dojde k rozliti paliva, před dalším nastartováním motoru vyčkejte, než se palivo odpaří.

### Když startujete motor

- Zkontrolujte, zda jsou správně nainstalované svíčky, tlumič výfuku, víčko palivové nádrže a vzduchový filtr (je-li ve výbavě).
- Nestartujte motor s demontovanými svíčkami.
- Pokud je motor přesycený, přesuňte ovladač sytiče do polohy OTEVŘENO nebo CHOD. Přemístěte ovládací plyn do polohy RYCHLE (je-li k dispozici) a protáchejte motor, dokud se nenastartuje.
- Jestliže je v oblasti únik zemního plynu nebo LPG, nespouštějte motor.
- Nepoužívejte stlačené startovací kapaliny, jejich páry jsou hořlavé.

### Během provozu stroje

- Nenaklánějte motor ani zařízení tak, aby nedošlo k úniku paliva.
- Motor se nesmí zastavovat zahlcením karburátoru, je-li jím motor vybaven.
- Motor nespouštějte ani neprovazujte s odmontovaným vzduchovým filtrem (je-li jím motor vybaven) nebo s vyjmutým vzduchovým filtrem (je-li jím motor vybaven).

### Při provádění údržby

- Jestliže vypouštíte olej z horní plnicí trubice, nádrž musí být prázdná. V opačném případě může dojít k úniku paliva, což může vést k požáru nebo výbuchu.
- Pokud je při údržbě nezbytné stroj naklonit, zajistěte, aby palivová nádrž, pokud je nainstalovaná na motoru, byla prázdná a aby byla strana zapalovací svíčky nahoře. Pokud palivová nádrž není prázdná, může dojít k úniku paliva, což může vést k požáru nebo výbuchu.
- Pravidelně kontrolujte, zda palivové potrubí, palivová nádrž, uzávěr palivové nádrže a spoje nejsou popraskané nebo zda nedochází k úniku. Poškozené díly vyměňte.
- Neměňte pružinu regulátoru, táhla či jiné části pro účely zvýšení rychlosti.
- Nevystavujte setrvačnick nárazům kladivem nebo tvrdým předmětem. Mohlo by dojít k selhání setrvačnicku během provozu.
- Náhradní díly musí být stejné a namontované do stejné polohy jako původní část. Další součásti by mohly způsobit poškození nebo zranění.



## Při převážení stroje

- Zajistěte, aby byla palivová nádrž PRÁZDNÁ nebo aby byl uzavírací palivový ventil ZAVŘENÝ.

## Při skladování paliva nebo stroje s palivem v nádrži

- Skladujte mimo dosah pecí, kamen, ohřívačů vody či jiných zařízení, která mají věčný plamínek, a mimo dosah jiných zdrojů zapálení, neboť by mohlo dojít ke vznícení výparů paliva.



## VAROVÁNÍ

Palivo a jeho výpary jsou vysoce hořlavé a výbušné. Oheň či exploze mohou způsobit vážné popáleniny nebo smrt.

## Při spuštění motoru vznikají jiskry, které by mohly způsobit požár nebo výbuch.

- Jestliže je v oblasti únik zemního plynu nebo LPG, nespouštějte motor.
- Nepoužívejte stlačené startovací kapaliny, jejich páry jsou hořlavé.



## VAROVÁNÍ

**RIZIKO VZNIKU JEDOVATÝCH PLYNŮ.** Výfukové plyny z motoru obsahují oxid uhelnatý, jedovatý plyn, který může během několika minut zabít. I když výfukové plyny necítíte, přesto můžete být oxidu uhelnatému vystaveni. Jestliže při používání tohoto zařízení začnete cítit nevolnost, závratě či slabost, OKAMŽITĚ ho vypněte a jděte na čerstvý vzduch. Vyhledejte lékaře. Mohlo u vás dojít k otravě oxidem uhelnatým.

- Oxid uhelnatý se může hromadit v obytných prostorech. Tento produkt používejte VYHRADNĚ v dostatečné vzdálenosti od oken, dveří a větracích otvorů.
- Nainstalujte alarmy na oxid uhelnatý (na baterie či síťové se záložním napájením z baterie) v souladu s pokyny výrobce. Detektory kouře nedokáží oxid uhelnatý odhalit.
- Tento produkt NEPOUŽÍVEJTE uvnitř domů, garáží, sklepů, stodol či jiných částečně uzavřených prostor, i když používáte větrák či máte otevřené dveře a okna pro větrání. Po používání tohoto výrobku se oxid uhelnatý může v těchto prostorech hromadit a zdržovat několik hodin.
- Tento produkt VŽDY umístěte po větru a výfuk namiřte směrem mimo obydlené prostory.



## VAROVÁNÍ

Rychlé zatažení (zpětný ráz) lanka spouštěče přitáhne ruku a paži k motoru rychleji, než jej stačí pustit. Hrozí nebezpečí zlomeniny, odření nebo natažení šlach.

- Při startování motoru pomalu zatahněte za startovací kabel, až ucítíte odpor a pak rychle zatahněte, aby se předešlo zpětnému rázu.
- Před nastartováním motoru zbavte motor veškeré vnější zátěže/zařízení.
- Přímo spřažené součásti zařízení, např. nože, oběžná kola, řemenice, ozubená kola atd., musí být bezpečně upevněny.



## VAROVÁNÍ

Otáčivé části se mohou dostat do styku nebo zachytit ruce, nohy, vlasy, oděv či výtroj. Může dojít k těžkým tržným ranám až amputacím končetin.

- Tento stroj provozujte se správně nasazenými chrániči.
- Udržujte ruce a nohy v dostatečné vzdálenosti od rotujících součástí.
- Odložte šperky a nepřibližujte se k točivým částem s volnými dlouhými vlasy.
- Nenoste volně vlající oděv nebo věci, které mohou být zachyceny.



## VAROVÁNÍ

Během provozu se motor a výfuk zahřívají. V případě kontaktu s horkým motorem může dojít k popálení.

## Hořlavý odpad, jako například listí, tráva a větve mohou chytit.

- Než se dotknete motoru nebo výfuku, vypněte motor a počkejte dvě (2) minuty. Zkontrolujte, zda se lze bezpečně dotknout motoru a výfuku.
- Odstraňte nečistoty z tlumiče a motoru.

Použití nebo provozování zařízení na jakékoli zalesněné či zatrávněné ploše bez výfukového systému vybaveného účinným lapačem jisker v souladu s definicí v části 4442 je porušením předpisů Veřejných pravidel pro Kalifornii, část 4442. Jiné státy nebo federální jurisdikce mohou mít podobné zákony; viz též Federální předpis 36 CFR část 261.52. Chcete-li zakoupit lapač jisker vhodný pro výfukový systém nainstalovaný na tomto motoru, kontaktujte výrobce původního zařízení, prodejce nebo dodavatele.



## VAROVÁNÍ

Náhodná jiskra z motoru může způsobit úraz elektrickým proudem, požár nebo výbuch, zachycení, těžkou tržnou ránu nebo amputaci končetiny.

## Před prováděním nastavení nebo oprav:

- Odpojte kabely zapalovacích svíček a uložte je mimo zapalovací svíčky.
- Odpojte kabel baterie od záporného pólu baterie (pouze motory s elektrostartérem).
- Používejte pouze správné nástroje.

## Při kontrole jiskry:

- Používejte schválenou zkoušečku svíček.
- Nekontrolujte jiskru, když je zapalovací svíčka vyjmutá.



## VAROVÁNÍ

Paliva jsou hořlavá a páry jsou výbušné. Oheň či exploze mohou způsobit vážné popáleniny nebo smrt.

## Pokud ucítíte plyn

- Nespouštějte motor.
- Nezapínejte elektrické spínače.
- Netelefonujte v blízkosti zařízení.
- Opusťte prostor.
- Obratě se na dodavatele plynu nebo hasiče.









## Funkce a ovládací prvky Ovládací prvky motoru

Porovnejte písmena štítků na obrázcích 1, 2, 3 a 4 s ovládacími prvky motoru v následujícím seznamu:

- A. Identifikace motoru **Model - Typ - Kód**
- B. Zapalovací svíčka
- C. Vzduchový filtr (bez palivové nádrže)
- D. Vzduchový filtr (s palivovou nádrží)
- E. Ponorná měrka oleje
- F. Otvor pro plnění oleje
- G. Olejový filtr (je-li ve výbavě)
- H. Vypouštěcí zátkka oleje
- I. Snímač tlaku oleje
- J. Chránič prstů
- K. Elektrický spouštěč
- L. Samonavíjecí startér (je-li ve výbavě)
- M. Karburátor – Modely s karburátorem
- N. Tlumič výfuku
- O. Palivové čerpadlo
- P. Spínač startéru<sup>1</sup>
- Q. Ovládání akcelérátoru<sup>1</sup>
- R. Ovladač sytiče<sup>1</sup>
- S. Palivový filtr (je-li jím motor vybaven)
- T. Palivová nádrž
- U. Uzavírací ventil paliva (je-li ve výbavě)<sup>1</sup>
- V. Spínač zastavení (je-li ve výbavě)<sup>1</sup>
- W. Chladič oleje (je-li jím motor vybaven)
- X. Modul palivového čerpadla – Modely s EFI
- Y. Elektronický řídicí modul – Modely s EFI
- Z. Vstříkovač paliva – Modely s EFI

<sup>1</sup> Některé motory a zařízení jsou vybaveny dálkovými ovladači. Popis umístění a funkce tohoto dálkového ovládání najdete v příručce k zařízení.

## Symbole ovládání motoru a jejich význam

 Rychlost motoru – RYCHLE	 Rychlost motoru – POMALU
 Rychlost motoru – STOP	 ZAPNUTO – VYPNUTO
 Spouštění motoru Sytič ZAVŘENÝ	 Spouštění motoru Sytič OTEVŘENÝ
 Zátka nádrže Palivový uzavírací ventil OTEVŘENÝ	 Palivový uzavírací ventil ZAVŘENÝ

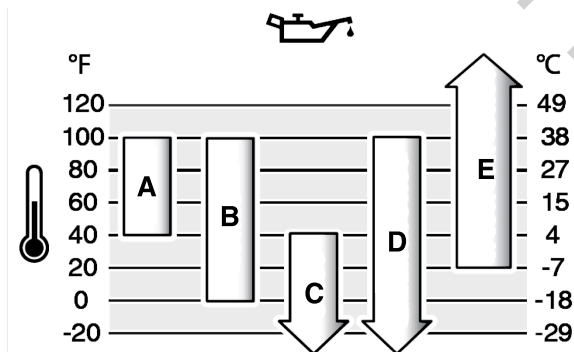
## Provoz

### Doporučení k oleji

Množství oleje: Viz část **Technické údaje**.

Pro nejlepší výkon doporučujeme použití olejů schválených pro použití s výrobky Briggs & Stratton®. Povolené jsou i jiné kvalitní oleje s čistícím aditivem za předpokladu, že jsou označeny pro provoz ve třídě SF, SG, SH, SJ či vyšší. Nepoužívejte speciální aditiva.

K výběru nejlepší viskozity pro očekávanou venkovní teplotu použijte tabulku. Motory ve většině venkovních motorových strojů správně fungují se syntetickým olejem 5W-30. V zařízeních provozovaných při vysokých teplotách poskytují nejlepší ochranu syntetický olej Vanguard® 15W-50.



A	SAE 30 - Při teplotách pod 40 °F (4 °C) povede použití SAE 30 k obtížnému startování.
B	10W-30 - Při teplotách nad 80 °F (27 °C) povede použití 10W-30 k zvýšené spotřebě oleje. Hladinu oleje pravidelně kontrolujte.
C	5W-30
D	Syntetický 5W-30
E	Syntetický Vanguard® 15W-50

## Kontrola množství oleje

### Před kontrolou nebo doplněním oleje

- Zkontrolujte, zda je motor vyvážen a zda stojí rovně.
- Plochu pro plnění oleje vyčistěte.
- Množství oleje viz část **Technické údaje**.

### UPOZORNĚNÍ

Tento motor byl z továrny Briggs & Stratton vyexpedován bez oleje. Je možné, že olej do motoru přidali výrobci zařízení nebo prodejci. Před prvním spuštěním motoru zkontrolujte správnou hladinu oleje. Doplněte olej podle pokynů v této příručce. Pokud spustíte motor bez oleje, může dojít k jeho neopravitelnému poškození, na které se nebude vztahovat záruka.

1. Vyjměte měрку (A, obrázek 5) a očistěte ji hadříkem.
2. Vraťte zpět měрку a dotáhněte ji (A, obrázek 5).
3. Měřku vyndejte a překontrolujte množství oleje. Zkontrolujte, zda hladina oleje dosahuje k horní rýse ukazatele naplnění (B, obrázek 5) na měrci.
4. Pokud je hladina oleje nízká, nalévejte olej pomalu do plnicího otvoru (C, obrázek 5). Nepřidávejte příliš mnoho oleje.

5. Počkejte jednu minutu a znovu zkontrolujte hladinu oleje. Zkontrolujte, zda je hladina oleje správná.
6. Vraťte zpět měрку a dotáhněte ji (A, obrázek 5).

## Systém ochrany před nízkou hladinou oleje (je-li jím motor vybaven)

Na některých motorech je nainstalován senzor nízkého stavu oleje. V případě nízkého stavu oleje senzor rozsvítí výstražnou kontrolku nebo vypne motor. Vypněte motor a před dalším spuštěním proveďte následující kroky.

- Zajistěte, aby se motor nacházel ve vodorovné poloze.
- Zkontrolujte olej. Viz část **Kontrola stavu oleje**.
- Pokud se stav oleje nízký, doplňte správné množství oleje. Nastartujte motor a zkontrolujte, zda se nerozsvítí výstražná kontrolka (pokud je nainstalována).
- Pokud olej nemá nízký stav, nespouštějte motor. Požádejte autorizované servisní středisko Briggs & Stratton o odstranění problému s olejem.

## Doporučení k palivu

Palivo musí splňovat následující požadavky:

- Čistý, čerstvý, bezolovnatý benzin.
- Minimálně 87 oktanů/87 AKI (91 RON). Pro použití ve vysokých nadmořských výškách, viz níže.
- Je povolen benzin s obsahem až 10 % etanolu.

### UPOZORNĚNÍ

Nepoužívejte neschválené benziny, jako je například E15 nebo E85. Nepřidávejte do benzínu olej ani neupravujte motor pro provoz s alternativními palivy. Použití neschválených paliv může způsobit poškození součástí motoru, na které se nevztahuje záruka.

Na ochranu palivového systému před gumováním a korozi přimíchejte do paliva stabilizátor paliva bez alkoholu a etanol. Viz část **Skladování**. Všechna paliva nejsou stejná. Jestliže dojde k problémům se spuštěním či výkonem, změřte dodavatele či značku paliva. Schváleným palivem pro tento motor je benzin. Systém řízení emisí pro motory s karburátorem je EM (Modifikace motoru). Systémy řízení emisí pro motory s elektronickým vstřikováním paliva jsou ECM (řídící jednotka motoru), MFI (vícebodové vstřikování paliva), TBI (vstřikování paliva škrtky klapkou) a případně O2S (snímač obsahu kyslíku).

### Vysoké nadmořské výšky

V nadmořských výškách nad 5 000 stop (1 524 metrů) je vyžadován benzin minimálně 85 oktanů/85 AKI (89 RON).

Motory s karburátory si pro udržení výkonu při vysoké nadmořské výšce vyžadují úpravy. Provoz bez této úpravy může snížit výkonnost, zvýšit spotřebu paliva a zvýšit vylučování emisí. Informace o seřízení pro vyšší nadmořské výšky získáte u autorizovaného prodejce značky Briggs & Stratton. Motor se seřízením pro vysoké nadmořské výšky se nedoporučuje používat při nadmořské výšce pod 2 500 stop (762 metrů).

U motorů vybavených elektronickým vstřikováním paliva (EFI) není seřízení pro velké nadmořské výšky nutné.

## Přidávání paliva



### VAROVÁNÍ

Palivo a jeho výpary jsou vysoce hořlavé a výbušné. Oheň či exploze mohou způsobit vážné popáleniny nebo smrt.

### Při doplňování paliva

- Vypněte motor. Před sejmutím uzávěru palivové nádrže počkejte alespoň dvě (2) minuty, aby se motor ochladil.
- Palivovou nádrž doplňujte venku nebo na dobře větraném místě.
- Palivovou nádrž nepřelévajte. Aby se umožnila expanze paliva, netankujte nad spodní část hrdla nádrže.
- Palivo udržujte mimo jiskry, otevřený oheň, pilotní světla, teplo nebo jiné zdroje vzplanutí.
- Pravidelně kontrolujte, zda palivové potrubí, palivová nádrž, uzávěr palivové nádrže a spoje nejsou popraskané nebo zda nedochází k úniku. Poškozené díly vyměňte.
- Jestliže dojde k rozliti paliva, před dalším nastartováním motoru vyčkejte, než se palivo odpaří.

1. Odstraňte z oblasti kolem uzávěru palivové nádrže nečistoty a usazeniny. Sejměte palivovou zátka.
2. Do palivové nádrže (A, obrázek 6) dolejte palivo. Neplňte nad spodní část hrdla nádrže (B), protože palivo se rozpíná.
3. Namontujte kryt palivové nádrže.

## Startování motoru



### VAROVÁNÍ

Náhodná jiskra z motoru může způsobit úraz elektrickým proudem, požár nebo výbuch, zachycení, těžkou tržnou ránu nebo amputaci končetiny.

#### Před prováděním nastavení nebo oprav:

- Odpojte kabely zapalovacích svíček a uložte je mimo zapalovací svíčky.
- Odpojte kabel baterie od záporného pólu baterie (pouze motory s elektrostartérem).
- Používejte pouze správné nástroje.

#### Při kontrole jiskry:

- Používejte schválenou zkoušečku svíček.
- Nekontrolujte jiskru, když je zapalovací svíčka vyjmutá.



### VAROVÁNÍ

Rychlé zatažení (zpětný ráz) lanka spouštěče přitáhne ruku a paži k motoru rychleji, než jej stačí pustit. Hrozí nebezpečí zlomeniny, odření nebo natažení šlach.

- Při startování motoru pomalu zatáhněte za startovací kabel, až ucítíte odpor a pak rychle zatáhněte, aby se předešlo zpětnému rázu.
- Před nastartováním motoru zbavte motor veškeré vnější zátěže/zařízení.
- Přímo spřažené součásti zařízení, např. nože, oběžná kola, řemenice, ozubená kola atd., musí být bezpečně upevněny.



### VAROVÁNÍ

**RIZIKO VZNIKU JEDOVATÝCH PLYNŮ.** Výfukové plyny z motoru obsahují oxid uhelnatý, jedovatý plyn, který může během několika minut zabít. I když výfukové plyny necítíte, přesto můžete být oxidu uhelnatému vystaveni. Jestliže při používání tohoto zařízení začnete cítit nevolnost, závratě či slabost, **OKAMŽITĚ** ho vypněte a jděte na čerstvý vzduch. Vyhledejte lékaře. Mohlo u vás dojít k otravě oxidem uhelnatým.

- Oxid uhelnatý se může hromadit v obytných prostorech. Tento produkt používejte VYHRADNĚ v dostatečné vzdálenosti od oken, dveří a větracích otvorů.
- Nainstalujte alamy na oxid uhelnatý (na baterie či síťové se záložním napájením z baterie) v souladu s pokyny výrobce. Detektory kouře nedokáží oxid uhelnatý odhalit.
- Tento produkt NEPOUŽÍVEJTE uvnitř domů, garáží, sklepů, stodol či jiných částečně uzavřených prostor, i když používáte větrák či máte otevřené dveře a okna pro větrání. Po používání tohoto výrobku se oxid uhelnatý může v těchto prostorech hromadit a zdržovat několik hodin.
- Tento produkt VŽDY umístěte po větru a výfuk namířte směrem mimo obydlené prostory.

#### UPOZORNĚNÍ

Tento motor byl z továrny Briggs & Stratton vyexpedován bez oleje. Je možné, že olej do motoru přidali výrobci zařízení nebo prodejci. Před prvním spuštěním motoru zkontrolujte správnou hladinu oleje. Doplňte olej podle pokynů v této příručce. Pokud spustíte motor bez oleje, může dojít k jeho neopravitelnému poškození, na které se nebude vztahovat záruka.

**POZNÁMKA:** Vaše zařízení může mít dálkové ovládání. Popis umístění a funkce tohoto dálkového ovládání najdete v příručce k zařízení.

#### Typy systémů startování

Před spuštěním motoru se dobře seznáme s typem systému startování motoru. Váš motor je vybaven jedním z těchto typů systémů.

- **Systém elektronického vstřikování paliva (EFI):** Systém EFI nemá sytič ani nastříkovač.
- **Elektronický systém řízení paliva:** Elektronický systém řízení paliva: Zahnuje elektronickou řídicí jednotku (ECU), která monitoruje stav motoru a teplotní podmínky. Nepoužívá se u něj manuální ovládání sytiče ani manuální nastříkovač paliva.
- **Systém se sytičem:** Tento typ systémů je vybaven sytičem pro použití při nízkých teplotách. Některé modely mají samostatné ovládání sytiče, ale jiné mají kombinaci ovládání sytiče a plynu. Tento typ neobsahuje nastříkovač paliva.

## Systém elektronického vstřikování paliva (EFI)

1. Překontrolujte motorový olej. Viz část **Kontrola množství oleje**.
2. Ujistěte se, že jsou deaktivovány ovládací prvky zařízení (je-li jimi zařízení vybaveno).
3. Přepněte palivový uzavírací ventil (A, obrázek 7), je-li jím zařízení vybaveno, do polohy OTEVŘENO.

4. Posuňte spínač zastavení (F, obrázek 7, 8), je-li ve výbavě, do polohy ZAPNUTO.
5. Posuňte ovladač akcelérátoru (B, obrázek 8), je-li jím motor vybaven, do polohy RYCHLE. Motor používejte v polohy RYCHLE.
6. **Je-li motor vybaven spínačem s klíčem:** Otočte spínačem s klíčem (D, obrázek 7, 8) do polohy ZAPNUTO.
7. **Navíjecí startér, je-li jím motor vybaven:** Pevně uchopte držadlo startovacího lanka (E, obrázek 7, 8). Zatáhněte za držadlo startovacího lanka, až pocítíte odpor. Pak zatáhněte rychle.



### VAROVÁNÍ

Rychlé zatažení za spouštěcí lanko zatáhne vaši ruku nebo paži směrem k motoru rychleji, než můžete lanko uvolnit (zpětný ráz). To vám může způsobit zlomeniny, pohmožděny či odřeniny. Při startování motoru pomalu zatáhněte za startovací kabel, až ucítíte odpor a pak rychle zatáhněte, aby se předešlo zpětnému rázu.

8. **Elektrostartér je-li jím motor vybaven:** Otočte spínač elektrostartéru (D, obrázek 7, 8) do polohy ZAPNUTO nebo START

**UPOZORNĚNÍ** Pro zajištění delší životnosti startéru používejte krátké startovací cykly (maximálně pět sekund). Mezi startovacími cykly čekejte jednu minutu.

Pokud motor nenastartuje ani po 3 nebo 4 pokusu, kontaktujte svého místního prodejce nebo navštivte stránku [vanguardpower.com](http://vanguardpower.com) nebo zavolejte na 1-800-999-9333.

## Elektronicky řízený palivový systém

1. Překontrolujte motorový olej. Viz část **Kontrola množství oleje**.
2. Ujistěte se, že jsou deaktivovány ovládací prvky zařízení (je-li jimi zařízení vybaveno).
3. Přepněte palivový uzavírací ventil (A, obrázek 7), je-li jím zařízení vybaveno, do polohy OTEVŘENO.
4. Posuňte spínač zastavení (F, obrázek 7, 8), je-li ve výbavě, do polohy ZAPNUTO.
5. Posuňte ovladač akcelérátoru (B, obrázek 8), je-li jím motor vybaven, do polohy RYCHLE. Motor používejte v polohy RYCHLE.
6. **Je-li motor vybaven spínačem s klíčem:** Otočte spínačem s klíčem (D, obrázek 7, 8) do polohy ZAPNUTO.
7. **Navíjecí startér, je-li jím motor vybaven:** Pevně uchopte držadlo startovacího lanka (E, obrázek 7, 8). Zatáhněte za držadlo startovacího lanka, až pocítíte odpor. Pak zatáhněte rychle.



### VAROVÁNÍ

Rychlé zatažení za spouštěcí lanko zatáhne vaši ruku nebo paži směrem k motoru rychleji, než můžete lanko uvolnit (zpětný ráz). To vám může způsobit zlomeniny, pohmožděny či odřeniny. Při startování motoru pomalu zatáhněte za startovací kabel, až ucítíte odpor a pak rychle zatáhněte, aby se předešlo zpětnému rázu.

8. **Elektrostartér je-li jím motor vybaven:** Otočte spínač elektrostartéru (D, obrázek 7, 8) do polohy ZAPNUTO nebo START

**UPOZORNĚNÍ** Pro zajištění delší životnosti startéru používejte krátké startovací cykly (maximálně pět sekund). Mezi startovacími cykly čekejte jednu minutu.

Pokud motor nenastartuje ani po 3 nebo 4 pokusu, kontaktujte svého místního prodejce nebo navštivte stránku [vanguardpower.com](http://vanguardpower.com) nebo zavolejte na 1-800-999-9333.

## Systém se sytičem

1. Překontrolujte motorový olej. Viz část **Kontrola a doplňování oleje**.
2. Ujistěte se, že jsou deaktivovány ovládací prvky zařízení (je-li jimi zařízení vybaveno).
3. Přepněte palivový uzavírací ventil (A, obrázek 7), je-li jím zařízení vybaveno, do polohy OTEVŘENO.
4. Posuňte spínač zastavení (F, obrázek 7, 8), je-li ve výbavě, do polohy ZAPNUTO.
5. Posuňte ovladač plynu (B, obrázek 7), je-li ve výbavě, do polohy RYCHLE. Motor používejte v polohy RYCHLE.
6. Přesuňte ovladač sytiče (C, obrázek 9, 10) do polohy ZAVŘENO.

**POZNÁMKA:** Při opětovném startování zahřátého motoru již obvykle není nutné použít sytič.

7. **Je-li motor vybaven spínačem s klíčem:** Otočte spínačem s klíčem (D, obrázek 7, 8) do polohy ZAPNUTO.
8. **Navíjecí startér, je-li jím motor vybaven:** Pevně uchopte držadlo startovacího lanka (E, obrázek 7, 8). Pomalu zatáhněte za rukojeť lanka startéru (E), až ucítíte odpor. Potom zatáhněte rychle.



## VAROVÁNÍ

Rychlé zatažení za spouštěcí lanko zatáhne vaši ruku nebo paži směrem k motoru rychleji, než můžete lanko uvolnit (zpětný ráz). To vám může způsobit zlomeniny, pohmožděniny či odřeniny. Při startování motoru pomalu zatáhněte za startovací kabel, až ucítíte odpor a pak rychle zatáhněte, aby se předešlo zpětnému rázu.

9. **Elektrické spouštění, je-li ve výbavě:** Otočte startovacím klíčkem (D, obrázek 7, 8) do polohy ZAPNUTO nebo START.

### UPOZORNĚNÍ

Pro zajištění delší životnosti startéru použijte krátké startovací cykly (maximálně pět sekund). Mezi startovacími cykly čekejte jednu minutu.

10. Když se motor zahřeje, přesuňte ovladač sytiče (C, obrázek 9, 10) do polohy OTEVŘENO.

**POZNÁMKA:** Pokud motor po 2–3 pokusech nenastartuje, kontaktujte svého místního prodejce, navštivte stránku [vanguardpower.com](http://vanguardpower.com) nebo volejte 1-800-999-9333.

## Vypněte motor



## VAROVÁNÍ

Palivo a jeho výpary jsou vysoce hořlavé a výbušné. Oheň či exploze mohou způsobit vážné popáleniny nebo smrt.

- Motor se nesmí zastavovat zahlcením karburátoru, je-li jím motor vybaven.

1. **Vypínač chodu motoru, pokud je jím motor vybaven:** Přepněte spínač zastavení (F, obrázek 11) do polohy VYPNUTO.
2. **Spínač s klíčem, je-li ve výbavě:** S ovladačem plynu (je-li ve výbavě) v poloze POMALU otočte spínačem s klíčem (D, obrázek 11) do polohy VYPNUTO. Vyjměte klíč a uložte jej na bezpečném místě mimo dosah dětí.
3. Po zastavení motoru přepněte uzavírací palivový ventil (A, obrázek 11), je-li jím motor vybaven, do polohy ZAVŘENO.

## Údržba

### Informace o údržbě



## VAROVÁNÍ

Palivo a jeho výpary jsou vysoce hořlavé a výbušné. Oheň či exploze mohou způsobit vážné popáleniny nebo smrt.

Pokud je při údržbě nezbytné stroj naklonit, zajistěte, aby palivová nádrž, pokud je nainstalovaná na motoru, byla prázdná a aby byla strana zapalovací svíčky nahore. Pokud palivová nádrž není prázdná, může dojít k úniku paliva, což může vést k požáru nebo výbuchu. Pokud je motor nakloněn jiným směrem, nebude možné jej snadno nastartovat z důvodu znečištění vzduchového filtru nebo zapalovací svíčky olejem nebo palivem.



## VAROVÁNÍ

Náhodná jiskra z motoru může způsobit úraz elektrickým proudem, požár nebo výbuch, zachycení, těžkou tržnou ránu nebo amputaci končetiny.

### Před prováděním nastavení nebo oprav:

- Odpojte kabely zapalovacích svíček a uložte je mimo zapalovací svíčky.
- Odpojte kabel baterie od záporného pólu baterie (pouze motory s elektrostartérem).
- Používejte pouze správné nástroje.

### Při kontrole jiskry:

- Používejte schválenou zkoušečku svíček.
- Nekontrolujte jiskru, když je zapalovací svíčka vyjmutá.



## VAROVÁNÍ

Náhradní díly musí být stejné a namontované do stejné polohy jako původní část. Další součásti by mohly způsobit poškození nebo zranění.

### UPOZORNĚNÍ

Aby motor správně pracoval, musí všechny jeho součásti zůstat na svém místě.

Svěřte veškerý servis a údržbu motorů a jejich dílů některému z autorizovaných servisních středisek Briggs & Stratton.

## Servis kontroly emisí

Údržbu, výměnu nebo opravu zařízení a systémů na kontrolu emisí může provést kterýkoli zařízení nebo jednotlivec, již se specializují na opravu motorů

nepoužívaných na silnicích. Chcete-li však mít servis řízení emisí „zdarma“, musí práci provádět prodejce autorizovaný továrnou. Viz prohlášení o kontrole emisí.

## Plán údržby

V intervalech 8 hodin nebo denně
<ul style="list-style-type: none"> <li>• Zkontrolujte hladinu motorového oleje.</li> <li>• Vyčistěte oblast kolem tlumiče výfuku a ovládacích prvků.</li> </ul>
V intervalech 100 hodin nebo jednou za rok
<ul style="list-style-type: none"> <li>• Vyměňte svíčky.</li> <li>• Vyměňte motorový olej.</li> <li>• Vyměňte olejový filtr (je-li nainstalován).</li> <li>• Část Servis vzduchového filtru<sup>1</sup>.</li> <li>• Vyčistěte předfiltr (je-li nainstalován)<sup>1</sup>.</li> <li>• Proveďte servis výfukové soustavy.</li> </ul>
V intervalech 250 hodin nebo jednou za rok
<ul style="list-style-type: none"> <li>• Zkontrolujte vůli ventilů. V případě potřeby seřídte.</li> </ul>
V intervalech 400 hodin nebo jednou za rok
<ul style="list-style-type: none"> <li>• Vyměňte vzduchový filtr.</li> <li>• Vyměňte palivový filtr.</li> <li>• Proveďte servis chladicí soustavy<sup>1</sup>.</li> <li>• Vyčistěte žebra chladíče oleje<sup>1</sup>.</li> </ul>

<sup>1</sup> Čistěte častěji v prašném prostředí nebo při velké koncentraci částic ve vzduchu.

## Systém elektronického vstřikování paliva (EFI)

Systém EFI monitoruje teplotu motoru, otáčky motoru a napětí akumulátoru během startování a zahřívání motoru. Tento systém není třeba seřizovat. Pokud se objeví problémy se startováním nebo chodem motoru spojte se s autorizovaným servisem společnosti Briggs & Stratton.

**UPOZORNĚNÍ** Vždy dodržujte níže uvedený postup, jinak by mohlo dojít k poškození systému EFI.

- NESTARTUJTE motor, pokud jsou kabely akumulátoru uvolněné.
- Před odpojením, vyjmutím a/nebo instalací akumulátoru otočte klíček do polohy VYPNUTO.
- NESTARTUJTE motor pomocí nabíječky akumulátoru.
- NEODPOJUJTE kabel akumulátoru za běhu motoru.
- Když zapojujete kabely akumulátoru, nejprve připojte kabel ke kladnému (+) pólu a pak připojte kabel k zápornému (-) pólu akumulátoru.
- Při nabíjení akumulátoru otočte spínač zapalování do polohy VYPNUTO a odpojte kabel od záporného (-) pólu akumulátoru.
- NESTŘÍKEJTE vodu přímo na elektronický ovládací modul.

## Elektronicky řízený palivový systém

Elektronicky řízený palivový systém sleduje teplotu motoru, otáčky motoru a napětí akumulátoru a upravuje sytič během startování a zahřívání motoru. Tento systém není třeba seřizovat. Pokud se objeví problémy se startováním nebo chodem motoru, obraťte se na autorizovaný servis společnosti Briggs & Stratton.

**UPOZORNĚNÍ** Vždy dodržujte tato pravidla. V opačném případě by mohlo dojít k poškození elektronicky řízeného palivového systému.

- NESTARTUJTE motor, pokud jsou kabely akumulátoru uvolněné.
- Před připojením startovacích kabelů nebo před odpojením nebo opakovaným připojením kabelů baterie přepněte spínač zapalování do polohy VYPNUTO. Při nabíjení musí být spínač zapalování v poloze VYPNUTÝ.
- Když odpojujete kabely od baterie, nejprve odpojte kabel od záporného (+) pólu a potom odpojte kabel od kladného (-) pólu baterie. Když připojujete kabely k baterii, nejprve připojte kabel ke kladnému (+) pólu a pak připojte kabel k zápornému (-) pólu baterie.
- NESTARTUJTE motor pomocí nabíječky akumulátoru.
- NEODPOJUJTE kabel akumulátoru za běhu motoru.
- NESTŘÍKEJTE vodu přímo na elektronickou řídicí jednotku.

## Karburátor a otáčky motoru

Neupravujte otáčky motoru úpravami karburátoru, pružiny regulátoru, táhel nebo jiných součástí. Pokud je nutné provést seřízení, požádejte o servis autorizované servisní středisko Briggs & Stratton.



## UPOZORNĚNÍ

Výrobce zařízení, do kterého je motor osazen, uvádí maximální rychlost motoru vhodnou pro provoz daného zařízení. Nepřekračujte tuto rychlost. Pokud si nejste jisti, jaká je maximální rychlost zařízení nebo jaká rychlost motoru byla nastavena z výroby, požádejte o pomoc autorizované servisní středisko Briggs & Stratton. Aby zařízení bezpečně a správně fungovalo, měl by rychlost motoru vždy seřizovat pouze kvalifikovaný servisní technik.

## Servis zapalovací svíčky

Zkontrolujte odtrh (A, obrázek 12) pomocí drátové měrky (B). Je-li to nutné, odtrh znovu nastavte. Nainstalujte zapalovací svíčku a dotáhněte ji správným momentem. Informace o odtrhu a utahovacím momentu najdete v části **Technické údaje**.

## Provedte servis výfukové soustavy



**VAROVÁNÍ**  
Během provozu se motor a výfuk zahřívají. V případě kontaktu s horkým motorem může dojít k popálení.

Hořlavý odpad, jako například listí, tráva a větve mohou chytit.

- Než se dotknete motoru nebo výfuku, vypněte motor a počkejte dvě (2) minuty. Zkontrolujte, zda se lze bezpečně dotknout motoru a výfuku.
- Odstraňte nečistoty z tlumiče a motoru.

Použití nebo provozování zařízení na jakékoli zalesněné či zatravněné ploše bez výfukového systému vybaveného účinným lapačem jisker v souladu s definicí v části 4442 je porušením předpisů Veřejných pravidel pro Kalifornii, část 4442. Jiné státy nebo federální jurisdikce mohou mít podobné zákony; viz též Federální předpis 36 CFR část 261.52. Chcete-li zakoupit lapač jisker vhodný pro výfukový systém nainstalovaný na tomto motoru, kontaktujte výrobce původního zařízení, prodejce nebo dodavatele.

Odstraňte nečistoty z tlumiče výfuku a oblasti válce. Zkontrolujte, zda tlumič výfuku nevykazuje praskliny, korozi nebo jiné opotřebení. Sejměte deflektor nebo lapač jisker, je-li jím motor vybaven, a zkontrolujte, zda není poškozen nebo zanesen uhlíkovými usazeninami. Pokud zjistíte poškození, před dalším spuštěním stroje nainstalujte náhradní díly.



**VAROVÁNÍ**  
Náhradní díly musí být stejné a namontované do stejné polohy jako původní část. Další součásti by mohly způsobit poškození nebo zranění.

## Vyměňte motorový olej



**VAROVÁNÍ**  
Palivo a jeho výpary jsou vysoce hořlavé a výbušné. Oheň či exploze mohou způsobit vážné popáleniny nebo smrt.

Během provozu se motor a výfuk zahřívají. V případě kontaktu s horkým motorem může dojít k popálení.

- Jestliže vypouštíte olej z horní plnicí trubice, nádrž musí být prázdná. V opačném případě může dojít k úniku paliva, což může vést k požáru nebo výbuchu.
- Než se dotknete motoru nebo výfuku, vypněte motor a počkejte dvě (2) minuty. Zkontrolujte, zda se lze bezpečně dotknout motoru a výfuku.

Použitý olej je nebezpečný odpad a musí být správně zlikvidován. Použitý olej nepatří do domovního odpadu. Informace o zařízeních pro bezpečnou likvidaci nebo recyklaci vám poskytnou místní úřady, servisní středisko nebo prodejce.

## Vypouštění oleje

1. Dokud je motor po VYPNUTÍ ještě teplý, odpojte kabel od zapalovací svíčky (D, obrázek 13) a uložte jej dále od zapalovací svíčky (E).
2. Vyjměte ponornou měrku (A, obrázek 14, 15).
3. Demontujte zátku na vypouštění oleje (F, obrázek 16, 17). Olej vyprázdněte do schválené nádoby.
4. Nainstalujte a dotáhněte vypouštěcí zátku oleje (F, obrázek 16, 17).

## Výměna olejového filtru, je-li jím motor vybaven

1. Z motoru vypustěte olej. Viz část **Vypouštění oleje**.
2. Vyjměte olejový filtr (G, obrázek 18, 19) a řádně jej zlikvidujte.
3. Před vložením nového olejového filtru lehce namažte těsnění olejového filtru čistým olejem.
4. Ručně namontujte olejový filtr tak, až se bude dotýkat adaptéru olejového filtru, pak ho utáhněte o 1/2 až 3/4 otáčky.

5. Doplněte olej. Viz část **Doplnění oleje**.
6. Nastartujte a provozujte motor. Po zahřátí motoru hledejte stopy úniku oleje.
7. Vypněte motor. Zkontrolujte, zda hladina oleje dosahuje k horní rýse ukazatele naplnění na měrce. Viz část **Doplnění oleje**.

## Doplnění oleje

- Zkontrolujte, zda je motor vyvážen a zda stojí rovně.
- Očistěte okolí otvoru pro plnění oleje.
- Množství oleje viz část **Technické údaje**.

1. Vyjměte ponornou měrku (A, obrázek 20, 21). Otfete olej z měrky čistým hadříkem.
2. Pomalu nalévejte olej do plnicího otvoru (C, obrázek 20, 21). **Nepřelévejte.** Počkejte jednu minutu a poté přezkontrolujte hladinu.
3. Vraťte zpět ponornou měrku a dotáhněte ji (A, obrázek 20, 21).
4. Měrku vyndejte a přezkontrolujte množství oleje. Správná hladina oleje má dosahovat k horní rýse hladiny (B, obrázek 20, 21) na měrce.
5. Vraťte zpět ponornou měrku a dotáhněte ji (A, obrázek 20, 21).
6. Připojte kabely zapalovací svíčky (D, obrázek 20) k zapalovacím svíčkám (E).

## Servis vzduchového filtru



**VAROVÁNÍ**  
Paliva jsou hořlavá a páry jsou výbušné. Oheň či exploze mohou způsobit vážné popáleniny nebo smrt.

- Motor nikdy nespustíte ani nenecháte běžet s vyjmutou sestavou čističe vzduchu nebo s vyndaným vzduchovým filtrem (pokud je jím motor vybaven).

## UPOZORNĚNÍ

K čištění filtru nepoužívejte stlačený vzduch či ředidla. Stlačený vzduch může poškodit filtr a ředidla ho mohou rozpustit.

Informace o servisních požadavcích najdete v **Plánu údržby**.

Některé modely jsou také vybaveny předfiltrem, který je možné vyprat a opětovně použít. Porovnejte ilustrace v této příručce s typem, který je nainstalován ve vašem motoru.

1. **Modely bez palivové nádrže:** Otevřete západku(-y) (A, obrázek 22) a sejměte kryt (B).
2. **Modely s palivovou nádrží:** Demontujte spojovací součásti (C, obrázek 23) a kryt (D).
3. Demontujte matici (D, obrázek 22, 23) a pojistku (E).
4. Vyjměte vzduchový filtr (F, obrázek 22, 23).
5. Vyjměte předfiltr (G, obrázek 22, 23), je-li ve výbavě, ze vzduchového filtru (F).
6. Opatrně oklepejte filtr (D, obrázek 22, 23) o tvrdý povrch, aby se uvolnily nečistoty. Jestliže je vzduchový filtr nadměrně znečištěný, vyměňte ho za nový.
7. Vyperte předfiltr (G, obrázek 22, 23), je-li ve výbavě, v kapalném čisticím prostředku s vodou. Nechte předfiltr zcela uschnout na vzduchu. Předfiltr **NEPROMAZÁVEJTE**.
8. Namontujte suchý předfiltr (G, obrázek 22, 23), je-li ve výbavě, do vzduchového filtru (F).
9. Nainstalujte vzduchový filtr (F, obrázek 22, 23) a zajistěte jej pojistkou (E) a maticí (D).
10. Namontujte kryt (B, obrázek 22, 23).

## Servis palivové soustavy



**VAROVÁNÍ**  
Palivo a jeho výpary jsou vysoce hořlavé a výbušné. Oheň či exploze mohou způsobit vážné popáleniny nebo smrt.

- Palivo udržujte mimo jiskry, otevřený oheň, pilotní světla, teplo nebo jiné zdroje vzplanutí.
- Pravidelně kontrolujte, zda palivové potrubí, palivová nádrž, uzávěr palivové nádrže a spoje nejsou popraskané nebo zda nedochází k úniku. Poškozené díly vyměňte.
- Jestliže dojde k rozliti paliva, před dalším nastartováním motoru vyčkejte, než se palivo odpaří.

## Palivový filtr, je-li jím motor vybaven

1. Před výměnou palivového filtru (A, obrázek 24) vypustěte palivovou nádrž nebo zavřete palivový kohout. Pokud palivová nádrž není vypuštěna, může palivo vytékat a způsobit požár nebo výbuch.
2. Kleštěmi stiskněte příchytky (B, obrázek 24) na svorkách (C). Posuňte svorky směrem od palivového filtru (A).

- Odkrutte a vytáhněte palivové potrubí (D, obrázek 24) z palivového filtru.
- Zkontrolujte, zda palivové hadičky (D, obrázek 24) nejsou popraskané nebo netěsné. V případě nutnosti vyměňte palivové potrubí.
- Nahradte palivový filtr (A, obrázek 24).
- Upevněte palivové hadičky (D, obrázek 24) svorkami (C) podle obrázku.

## Servis chladicí soustavy



**VAROVÁNÍ**  
Během provozu se motor a výfuk zahřívají. V případě kontaktu s horkým motorem může dojít k popálení.

Hořlavý odpad, jako například listy, tráva a větve mohou chytit.

- Než se dotknete motoru nebo výfuku, vypněte motor a počkejte dvě (2) minuty. Zkontrolujte, zda se lze bezpečně dotknout motoru a výfuku.
- Odstraňte nečistoty z tlumiče a motoru.

### UPOZORNĚNÍ

Nepoužívejte k čištění motoru vodu. Voda by mohla kontaminovat palivovou soustavu. K čištění motoru použijte kartáč nebo suchý hadřík.

Tento motor je chlazený vzduchem. Špína nebo nečistoty mohou omezovat proudění vzduchu a způsobit přehřátí motoru, což vede ke špatnému výkonu a snížení životnosti motoru.

- Pomocí kartáče nebo suchého hadříku odstraňte nečistoty z oblasti přívodu vzduchu.
- Udržujte táhla, pružiny a ovládací prvky čisté.
- Odstraňujte hořlavé nečistoty z okolí tlumiče výfuku (je-li k dispozici).
- Udržujte žebra chladiče oleje (je-li k dispozici) v čistotě.

Po určité době se nečistoty mohou nahromadit v chladicích žebrech válce a způsobit přehřátí motoru. Tyto nečistoty se nedají odstranit bez částečného rozmontování motoru. O kontrolu a vyčištění vzduchového chladicího systému požádejte autorizované servisní středisko Briggs & Stratton, jak doporučujeme v *Plánu údržby*.

## Skladování Palivový systém

Viz obrázek: 25.



**VAROVÁNÍ**  
Palivo a jeho výpary jsou vysoce hořlavé a výbušné. Oheň či exploze mohou způsobit vážné popáleniny nebo smrt.

### Skladování paliva

- Skladujte mimo dosah pecí, kamen, ohřivačů vody či jiných zařízení, která mají věčný plamínek, a mimo dosah jiných zdrojů zapálení, neboť by mohlo dojít ke vznícení výparů paliva.

Motor uchovávejte rovně (normální provozní poloha). Napiňte palivovou nádrž (A, obrázek 25) palivem. Nádrž nepřepĺňujte nad hrdlo, aby se palivo mohlo rozpínat (B).

Když je palivo ponecháno ve skladovací nádobě déle než 30 dní, může začít stárnout. V nádobě pro uchování paliva doporučujeme používat stabilizátor paliva bez obsahu alkoholu a etanolový přípravek, které brání degradaci paliva a udržují jej v čerstvém stavu.

Když plníte nádobu palivem, přidejte stabilizátor paliva bez obsahu alkoholu, který je uveden v pokynech výrobce. Jestliže nebyl do paliva v motoru stabilizátor přidán, palivo je třeba vypustit do schválené nádoby. Nechte motor běžet, dokud nedojde palivo.

## Motorový olej

Motorový olej vyměňte, zatímco je motor stále teplý. Viz část *Výměna motorového oleje*.

## Řešení problémů

### Pomoc

Pokud potřebujete pomoc, kontaktujte svého místního prodejce, navštivte stránku [BRIGGSandSTRATTON.COM](http://BRIGGSandSTRATTON.COM) nebo zavolejte na **1-800-444-7774** (v USA).

## Technické údaje

### Specifikace a servisní díly

MODEL: 290000, 300000	
Zdvihový objem	29.23 ci (479 cc)
Vrtání	2.677 palec (68 mm)

### MODEL: 290000, 300000

Zdvih	2.598 palec (66 mm)
Objem oleje	46 - 48 oz (1,36 - 1,42 l)
Vzduchová mezera zapalovací svíčky	.030 palec (.76 mm)
Dotahovací moment zapalovací svíčky	180 lb-palců (20 Nm)
Vzduchová mezera kotvy – modely s karbutátorem	.008 - .012 palec (.20 - .30 mm)
Vůle sacího ventilu	.004 - .006 palec (.10 - .15 mm)
Vůle výfukového ventilu	.004 - .006 palec (.10 - .15 mm)

### MODEL: 350000

Zdvihový objem	34.78 ci (570 cc)
Vrtání	2.835 palec (72 mm)
Zdvih	2.756 palec (70 mm)
Objem oleje	46 - 48 oz (1,36 - 1,42 l)
Vzduchová mezera zapalovací svíčky	.030 palec (.76 mm)
Dotahovací moment zapalovací svíčky	180 lb-palců (20 Nm)
Vzduchová mezera kotvy – modely s karbutátorem	.008 - .012 palec (.20 - .30 mm)
Vůle sacího ventilu	.004 - .006 palec (.10 - .15 mm)
Vůle výfukového ventilu	.004 - .006 palec (.10 - .15 mm)

### MODEL: 380000

Zdvihový objem	38.26 ci (627 cc)
Vrtání	2.972 palec (75,5 mm)
Zdvih	2.756 palec (70 mm)
Objem oleje	46 - 48 oz (1,36 - 1,42 l)
Vzduchová mezera zapalovací svíčky	.030 palec (.76 mm)
Dotahovací moment zapalovací svíčky	180 lb-palců (20 Nm)
Vzduchová mezera kotvy – modely s karbutátorem	.008 - .012 palec (.20 - .30 mm)
Vůle sacího ventilu	.004 - .006 palec (.10 - .15 mm)
Vůle výfukového ventilu	.004 - .006 palec (.10 - .15 mm)

Výkon motoru klesá o 3,5 % na každých 300 metrů (1 000 stop) nadmořské výšky a o 1 % na každých 5,6 °C (10 °F) nad 25 °C (77 °F). Motor pracuje normálně při náklonu do 15°. Maximální dovolené provozní limity pro svahy najdete v návodu k obsluze zařízení.

### MODEL: 290000, 300000, 350000, 380000

Servisní díl	Číslo dílu
Vzduchový filtr (s palivovou nádrží, obrázek 23)	383857
Vzduchový filtr (kromě modelu 380000, obrázek 22)	394018
Vzduchový filtr (modely 380000, 22)	692519
Předfiltr vzduchového filtru (s palivovou nádrží, obrázek 23)	271794
Předfiltr vzduchového filtru (kromě modelu 380000, obrázek 22)	272490
Předfiltr vzduchového filtru (model 380000, obrázek 22)	692520
Olej – SAE 30	100028
Olejový filtr	842921
Palivový filtr (s palivovou nádrží)	808116
Palivový filtr (s palivovým čerpadlem)	845125
Palivový filtr (bez palivového čerpadla)	298090
Zapalovací svíčka s odrušením	491055S
Platinová zapalovací svíčka s dlouhou životností	696202, 5066K
Klíč na zapalovací svíčku	19576S
Zkoušečka zapalování	84003327

Doporučujeme svěřit veškerý servis a údržbu motorů a jejich dílů některému z autorizovaných servisních středisek Briggs & Stratton.

## Jmenovitý výkon

Celkový jmenovitý výkon jednotlivých modelů s benzínovými motory je označen v souladu s kódem J1940 SAE (Society of Automotive Engineers) pro hodnocení výkonu a točivého momentu malých motorů a hodnocení je v souladu s normou SAE J1995. Hodnoty točivého momentu jsou získány z hodnot při 2 600 otáčkách motoru za minutu pro otáčky uvedené na štítku a 3 060 za minutu pro všechny ostatní, hodnoty výkonu jsou získány při 3 600 otáčkách za minutu. Hrubé výkonové křivky naleznete na stránce [www.BRIGGSandSTRATTON.COM](http://www.BRIGGSandSTRATTON.COM). Hodnoty čistého výkonu jsou získány s namontovaným výfukem a čistěním vzduchu, zatímco hrubé hodnoty jsou bez těchto přídavných zařízení. Skutečný hrubý výkon motoru bude vyšší než čistý výkon motoru, mimo jiné na něj budou mít vliv okolní provozní podmínky a drobné rozdíly mezi jednotlivými motory. S ohledem na širokou řadu produktů, ve kterých jsou motory používány, nemusí benzínové motory dosáhnout stanovený hrubý výkon, když jsou používány jako součást zařízení. Tento rozdíl je výsledkem celé řady faktorů, mimo jiné včetně dalších komponent motoru (čistič vzduchu, výfuk, nabíjení, chlazení, karburátor, palivové čerpadlo atd.), omezení použití, okolních provozních podmínek (teplota, vlhkost, nadmořská výška) a rozdílů mezi jednotlivými motory. Vzhledem k omezením výroby a kapacity může společnost Briggs & Stratton motor nahradit silnějším motorem stejné série.

## Záruka

### Záruka na motor Briggs & Stratton®

Platné od srpna 2022

#### Omezená záruka

Společnost Briggs & Stratton zaručuje, že během níže uvedené záruční doby bezplatně opraví nebo vymění nový, repasovaný nebo znovu vyrobený díl, a to na základě výhradního uvážení společnosti Briggs & Stratton jakoukoli vadnou součást se závadou na materiálu nebo zpracování nebo oboje. Za přepravní náklady spojené s přepravou výrobku k opravě či náhradě při uplatnění záruky je odpovědný zákazník. Tato záruka je platná pro stanovená časová období a podléhá níže uvedeným podmínkám. Pro záruční servis se obračejte na nejbližší autorizované servisní středisko, které je uvedeno na mapě prodejců na adrese [BRIGGSandSTRATTON.COM](http://BRIGGSandSTRATTON.COM). Zákazník musí kontaktovat autorizovaného servisního dealera a pak mu produkt zpřístupnit pro inspekci a testy.

**Neexistují jiné výslovné záruky. Implikované záruky, včetně těch týkajících se prodejnosti a vhodnosti pro určitý účel, jsou omezeny na jeden rok od zakoupení či v rozsahu povoleném zákonem. Všechny ostatní implikované záruky jsou vyloučeny. Zodpovědnost za vedlejší či následné škody je vyloučena v rozsahu povoleném zákonem.** Některé státy nepovolují omezení na délce trvání implikovaných záruk a některé státy nepovolují vyjmutí či omezení náhodných škod, takže výše uvedená vyjmutí a omezení se na vás nemusí vztahovat. Tato záruka vám poskytuje specifická práva, nicméně můžete mít i jiná práva, která se mohou v jednotlivých státech a zemích lišit.

Standardní záruční podmínky <sup>1, 2</sup>
<b>Vanguard®; Řada pro komerční účely</b>
Spotřebitelské používání – 36 měsíců
Komerční používání – 36 měsíců
<b>Řada XR</b>
Spotřebitelské používání – 24 měsíců
Komerční používání – 24 měsíců
<b>Všechny ostatní motory vybavené litinovou vložkou válce Dura-Bore™</b>
Spotřebitelské používání – 24 měsíců
Komerční používání – 12 měsíců
<b>Všechny ostatní motory</b>
Spotřebitelské používání – 24 měsíců
Komerční používání – 3 měsíce

<sup>1</sup> Toto jsou naše standardní záruční podmínky, ale v některých případech může existovat další záruční krytí, které nebylo v době vydání tohoto dokumentu stanoveno. Informace o aktuálních záručních podmínkách pro váš motor získáte na webu [BRIGGSandSTRATTON.com](http://BRIGGSandSTRATTON.com) nebo kontaktováním autorizovaného servisního střediska Briggs & Stratton.

<sup>2</sup> Není poskytována žádná záruka na motory zařízení používaných jako primární pohon místo užitkového zařízení, v záložních generátorech používaných ke komerčním účelům, v užitkových vozidlech přesahujících 25 mil/hod. ani na motory používané pro závodění nebo na komerčních či pronajímaných tratích.

<sup>3</sup> V Austrálii – Naše zboží je dodáváno se zárukami, které nelze vyloučit podle australských zákonů pro styk se zákazníky. Máte nárok na výměnu či vrácení peněz za větší selhání a kompenzaci za jakékoli jiné přiměřené předvídatelné ztráty či škody. Máte také nárok na opravu či výměnu zboží, jestliže nedosahuje přijatelné kvality a selhání nepředstavuje rozhodující selhání. Potřebujete-li záruční servis, vyhledejte naše nejbližší autorizované servisní středisko, které zjistíte na mapě na webové stránce [BRIGGSandSTRATTON.COM](http://BRIGGSandSTRATTON.COM) nebo telefonicky na čísle 1300 274 447, případně zasláním e-mailu na adresu [salesenquiries@briggsandstratton.com.au](mailto:salesenquiries@briggsandstratton.com.au),

Briggs & Stratton Australia Pty Ltd, 1 Moorebank Avenue, Moorebank, NSW, Austrálie, 2170.

Záruční lhůta začíná v den zakoupení prvním soukromým nebo komerčním konečným uživatelem a pokračuje po dobu uvedenou výše v tabulce. „Spotřebitelským používáním“ se rozumí osobní používání maloobchodním spotřebitelem v domácnosti. „Komerčním použitím“ se rozumí všechny ostatní druhy použití, a to včetně použití komerčního, výdělečného a v půjčovnách. Jakmile byl jeden motor použit pro komerční účely, musí být pro účely této záruky nadále považován za motor pro komerční použití.

**Pro obdržení záruky na výrobky Briggs & Stratton není nutná registrace záruky. Uschovejte si váš pokladní doklad. Jestliže při vyžádání záruky neposkytnete doklad s datem zakoupení, bude pro určení záruční lhůty produktu použito datum výroby.**

#### O vaší záruce

Tato omezená záruka se vztahuje pouze na materiál a/nebo zpracování související s motorem, a nikoliv na výměnu nebo proplacení zařízení, na kterém může být motor namontován. Na běžnou údržbu, tuning, seřizování nebo normální opotřebení se tato záruka nevztahuje. Stejně tak se záruka nevztahuje na motor, který byl pozměněn nebo upraven ani na motor, jehož sériové číslo bylo znečitelněno nebo odstraněno. Tato záruka se nevztahuje na poškození motoru ani na problémy s výkonem způsobené:

1. Použitím jiných než Briggs & Stratton
2. Provozováním motoru s kontaminovaným mazacím olejem, s nesprávným typem oleje nebo s jeho nedostatečnou hladinou;
3. Použitím znečištěného nebo starého paliva, benzínu smíchaného s více než 10 % etanolu nebo použitím alternativních paliv, jako je zkapaňný nebo zemní plyn u motoru, které nebyly společností Briggs & Stratton zkonstruovány/vyrobeny pro použití těchto paliv;
4. Nečistotou, která se dostala do motoru v důsledku nesprávné údržby nebo zpětné montáže vzduchového filtru;
5. Úderem nože rotační sekačky na trávu do nějakého předmětu, uvolněnými nebo nesprávně namontovanými nožovými adaptéry, oběžnými koly nebo jinými prvky spojenými s klikovým hřídelem nebo nadměrným napnutím klínového řemene;
6. Souvisejícími součástmi nebo sestavami, například spojkami, převody, ovládacími zařízeními apod., které nebyly dodány společností Briggs & Stratton;
7. Přehřátím vyvolaným kusy trávy, nečistotami, úlomky nebo hnízdy hlodavců ucpávajícími chladicí žebra nebo prostor setrvačnicku nebo provozováním motoru bez dostatečné ventilace;
8. Nadměrnými vibracemi vyvolanými přílišnými otáčkami, uvolněným závěsem motoru, uvolněnými nebo nevyváženými noži či oběžnými koly nebo nesprávnou montáží součástí zařízení na klikový hřídel;
9. Nesprávným používáním, nedostatečnou běžnou údržbou, přepravou, manipulací nebo skladováním zařízení nebo nesprávnou montáží motoru.

Záruční služby zajišťují pouze autorizovaní zástupci společnosti Briggs & Stratton. Nejbližší autorizované servisní středisko najdete na naší mapě na webové stránce [BRIGGSandSTRATTON.COM](http://BRIGGSandSTRATTON.COM) nebo telefonicky na čísle 1-800-444-7774 (v USA).

80114782 (revize A)

## Üldteave



See juhend sisaldab ohutusteavet mootoriga seotud ohtude ja riskide ning nende vältimise kohta. Lisaks sisaldab see juhiseid mootori õige kasutuse ja hoolduse kohta. On äärmiselt oluline need juhised läbi lugeda, endale selgeks teha ja neid järgida. **Hoidke käesolev juhend edaspidiseks kasutamiseks alles.**

**MÄRKUS.** Käesolevas juhendis olevad joonised ja illustratsioonid on üksnes illustratiivsed ja võivad teie konkreetsest mudelist erineda. Kasutage jooniseid, mis vastavad teie mootori konfiguratsioonile. Vajadusel pidage nõu volitatud hoolduskeskusega.

Kirjutage üles ostukuupäev, mootori mudel, tüüp, versioon ja seerianumber, sest neid läheb tarvis varuosade tellimisel. Need numbrid asuvad mootoril. Vt jaotist **Funktsioonid ja juhtseadised.**

Ostukuupäev	
Mootori mudel - tüüp - varustusklass	
Mootori seerianumber	

## Euroopa kontori kontaktteave

Kui teil on küsimusi Euroopa heitkoguste kohta, võtke ühendust meie Euroopa bürooga aadressil:

Max-Born-Straße 2, 68519 Viernheim, Saksamaa.

## Euroopa Liidu (EL) V (5.) etapp: Süsinikdioksiidi (CO<sub>2</sub>) väärtused

Sisestage saidil BriggsandStratton.com otsinguväljale „CO<sub>2</sub>“, et leida Briggs & Strattoni ELi tüübikinnitustunnistusega mootorite süsinikdioksiidi heite väärtused.

## Ringlussevõtmise teave



Viige kõik kastid, karbid, vana õli ja akud kooskõlas kohalike õigusaktidega ringlussevõtupunkti.

## Operaatori ohutus

### Hoiatusmärk ja märgusõnad



Hoiatussümbol tähistab ohutusteavet nende ohtude kohta, mis võivad põhjustada kehavigastusi. Märgusõna (**OHT**, **HOIATUS** või **ETTEVAATUST**) kasutatakse selleks, et viidata tervisekahjustuse tõenäosusele ning potentsiaalsetele raskusele. Lisaks võib ohu tüüpi tähistamiseks kasutada ka ohusümbolit.

**OHTLIK** viitab olukorrale, mis juhul, kui seda ei väldita, võib põhjustada raske vigastuse või surma.

**HOIATUS** viitab olukorrale, mis juhul, kui seda ei väldita, võib põhjustada raske vigastuse või surma.

**ETTEVAATUST** tähistab ohtu, mis juhul, kui seda ei väldita, võib kaasa tuua kerge või keskmise kehavigastuse.

**MÄRKUS** tähistab teavet, mis on oluline, kuid pole seotud ohuga.

## Ohu sümboolid ja tähendused

	Ohutusteave olukordade kohta, mis võivad tekitada kehavigastusi.		Lugege kasutusjuhend enne masina käitsemist või hooldamist tähelepanelikult läbi ja tehke see endale selgeks.
	Tuleoht		Plahvatusoht
	Elektrilöögi oht		Mürgise suitsu oht

	Kuuma pinna oht		Tagasilöögi oht
	Jäsemekaotuse oht – liikuvad osad		Kütusetase – maksimaalne Vältige ületäitmist

## Ohutusteated



### HOIATUS

Briggs & Stratton®-i mootorid ei ole mõeldud kasutamiseks järgmistel kasutusvaldkondades: kardid; lastekardid; lastesõidukid, vaba aja või sportlikud maastikusõidukid (ATV-d); mootorrattad; hõljukid; õhusõidukid; või sõidukid, mida kasutatakse võistlustel, milleks Briggs & Stratton ei ole luba andnud. Võidusõidutoodete kohta leiate teavet aadressilt [www.briggsracing.com](http://www.briggsracing.com). Tarbesõidukitel ja mitmekohalistel ATV-del kasutamiseks pidage nõu Briggs & Strattoni võimsuslahenduste keskusega, tel 1 866 927 3349. Mootori väärkasutus võib põhjustada rasket tervisekahjustust või surma.



### HOIATUS

**Kütus ja selle aurud on kergesti süttivad ja plahvatusohtlikud. Põleng või plahvatus võib tekitada põletushaavu või surma.**

### Kütuse tankimisel

- Seisake mootor. Oodake enne kütusepaagi korki eemaldamist vähemalt kaks (2) minutit veendumaks, et mootor on jahtunud.
- Tankige kütust õues või piisava ventilatsiooniga kohas.
- Ärge lisage kütusepaaki liiga palju kütust. Kütuse paisumiseks ruumi jätmiseks ärge täitke paaki kütusepaagi kaela alumisest servast kõrgemale.
- Hoidke kütus eemal sädemetest, lahtisest leegist, pilootleekidest, kuumusest ja muudest süüteallikatest.
- Kontrollige regulaarselt kütusevoolikuid, kütusepaaki, kütusepaagi korki ning liitmikke pragude ja lekete suhtes. Vahetage kahjustatud osad.
- Kütuse mahaloksumisel oodake selle aurustumiseni, enne kui mootori käivitite.

### Mootori käivitamisel

- Veenduge, et süüteküünal, summuti, kütusepaagi kork ja õhupuhasti (kui on masina varustuses) on õigesti paigaldatud.
- Ärge käituge mootorit, kui süüteküünal on eemaldatud.
- Kui mootori karburaator on üle ujutatud, seadke seguklapp (kui on masina varustuses) AVATUD või KÄITUSE asendisse. Keerake õhuklapp (kui on masina varustuses) asendisse KIIRE ja käituge starterit, kuni mootor käivitub.
- Kui läheduses on maagaasi või vedela naftagaasi leke, ärge mootorit käivitage.
- Ärge kasutage survestatud käivitusvedelikke, sest nende aurud on tuleohtlikud.

### Masina kasutamisel

- Ärge kallutage mootorit ega masinat asendisse, milles kütus võib välja voolata.
- Ärge seisake mootorit karburaatori õhuklapi (kui on masina varustuses) sulgemisega.
- Ärge käivitage ega käituge mootorit, kui õhupuhasti (kui on masina varustuses) või õhufilter (kui on masina varustuses) on eemaldatud.

### Hooldamisel

- Kui kasutate õli eemaldamiseks ülemist õlitäitetoru, peab kütusepaak olema tühi. Kui see ei ole tühi, võib kütus lekkida ning põhjustada põlengu või plahvate.
- Kui hoolduse ajal on tarvis masinat kallutada, veenduge, et kütusepaak (kui see on mootori külge monteeritud) on tühi ja süüteküünlaga ots jääb üles. Kui kütusepaak ei ole tühi, võib kütus lekkida ning põhjustada põlengu või plahvate.
- Kontrollige regulaarselt kütusevoolikuid, kütusepaaki, kütusepaagi korki ning liitmikke pragude ja lekete suhtes. Vahetage kahjustatud osad.
- Ärge üritage suurendada mootori pöörlemissagedust gaasihoova vedru, ühendusliili või mõne muu detaili muutmisega.
- Ärge lööge hooratast haamri vm kõva esemega. See võib põhjustada hooratta riket kasutamise ajal.
- Varuosad peavad olema sama kujuga ja paigaldatud samas asendis kui originaaldetailid. Muud osad võivad põhjustada kahjustusi või vigastusi.

### Seadme asukoha muutmisel

- Veenduge, et kütusepaak on TÜHI või kütusekraan on SULETUD asendis.

### Kütuse või kütusepaagis oleva kütusega masinate ladustamisel

- Kuna pilootleegid jm süüteallikad võivad põhjustada plahvatusi, hoidke kütust ja masinaid eemal ahjudest, pliitidest, boileritest jt pilootleegiga seadmetest.



#### HOIATUS

Kütus ja selle aaurud on kergesti süttivad ja plahvatusohtlikud. Põleng või plahvatus võib tekitada põletushaavu või surma.

Mootori käivitamine võib tekitada sädeme, mis võib põhjustada põlengu või plahvatuse.

- Kui läheduses on maagaasi või vedela naftagaasi leke, ärge mootorit käivitage.
- Ärge kasutage survestatud käivitusvedelikke, sest nende aaurud on tuleohtlikud.



#### HOIATUS

**MÜRGISE GAASI OHT.** Mootori heitgaasid sisaldavad süsinikmonooksiidi e. vingugaasi, mis on mürgine ja võib tappa mõne minuti jooksul. Isegi kui te ei tunne heitgaaside lõhna, võite siiski kokku puutuda ohtliku vingugaasiga. Kui tunnete masina kasutamisel iiveldust, peapööritust või nõrkust, minge **VIIVITAMATA** värske õhu kätte. Pöörduge arsti poole. Võimalik, et teil on vingugaasi mürgitus.

- Vingugaas võib koguneda aladele, kus viibivad inimesed. Vingugaasiga seotud ohtude vähendamiseks kasutage seda masinat AINULT välitingimustes, akendest, uuestest ja ventilatsioonivadest eemal.
- Paigaldage akutoitel töötavad vingugaasialarmid või vooluvõrgutoitega vingugaasialarmid koos varutoiteakuga tootja juhiste kohaselt. Suitsualarmid ei suuda vingugaasi tuvastada.
- ÄRGE käituge seda masinat majades, garaazides, keldrites, madalates käikudes, kuurides ega muudes osaliselt suletud ruumides isegi siis, kui kasutate ventilaatoreid või avate õhutamiseks ukseid ja aknad. Vingugaas võib masina kasutamisel kiiresti sellistesse kohtadesse koguneda ning jääda sinna tundideks.
- Paigutage see masin ALATI allatuult ja suunake mootori heitgaasid eemale aladelt, kus viibivad inimesed.



#### HOIATUS

Kiire käivitustrossi sissetõmme (tagasitõmme) tõmbab kätt ja käsivart mootori poole kiiremini, kui jõuate sellest lahti lasta. See võib põhjustada luumurde või -mõrasid, marrastusi või venitusi.

- Mootorit käivitades tõmmake käivitustrossi aeglaselt, kuni tunnete takistust; seejärel tõmmake kiiresti, et vältida tagasitõmmet.
- Enne mootori käivitamist lahutage või eemaldage kõik lisaseadmed ja mootorit koormavad seadised.
- Veenduge, et masinaga otse ühendatud osad, nagu terad, tiivikud, rihmarattad, ketirattad jms, on kindlalt kinnitatud.



#### HOIATUS

Käed, jalad, juuksed, rõivad või ehted võivad pöörlevate osade vahele kinni jääda ning tulemuseks võib olla traumaatiline jäsemekaotus või rebend.

- Kasutage masinat ainult koos õigesti paigaldatud kaitsekatetega.
- Hoidke käed ja jalad pöörlevatest osadest eemal.
- Eemaldage ehted ja veenduge, et pikad juuksed on kõigist pöörlevatest osadest eemal.
- Ärge kandke avaraid rõivaid ega midagi, mis võiks takerduda.



#### HOIATUS

Mootor ja summuti võivad kasutamise ajal kuumaks muutuda. Kui puudutate kuumu mootorit, võite saada põletushaavu.

Süttivad materjalid, nagu lehed, rohi ja võsa, võivad süttida.

- Seisake mootor ja oodake kaks (2) minutit enne mootori või summuti puudutamist. Veenduge, et mootorit ja summutit on ohutu puudutada.
- Eemaldage kogunenud praht summuti ja mootori piirkonnast.

California avalike ressursside seaduse (California Public Resource Code) paragrahvi 4442 järgi on motoriseeritud seadme kasutamine metsa-, põõsa- või murualadel ja nende lähedal keelatud, kui selle väljalaskesüsteem ei ole varustatud nimetatud paragrahvi 4442 nõuetele vastava sädemepüüduriga. Teistes osariikides või föderaalpiirkondades võivad olla sarnased õigusaktid, vt USA föderaalõigusaktide koodeksi 36. jaotise osa 261.52. Võtke ühendust originaalvaruosade tootja, jaemüüja või edasimüüjaga, et hankida sellele mootorile paigaldatud väljalaskesüsteemile mõeldud sädemepüüdur.



#### HOIATUS

Juhuslik mootori tekitatud säde võib põhjustada elektrilöögi, põlengu või plahvatuse ning tuua kaasa takerdumise, traumaatilise amputatsiooni või rebendeid.

Enne reguleerimise või remonditööde alustamist:

- Eemaldage kõik süüteküünla juhtmed ja hoidke neid süüteküünaldest eemal.
- Ühendage lahti aku miinusklemm (ainult elektristariteriga mootorid).
- Kasutage ainult sobivaid tööriistu.

Sädet kontrollides:

- Kasutage tunnustatud süüteküünlatestrit.
- Ärge kontrollige sädet, kui süüteküünal on eemaldatud.



#### HOIATUS

Kütuseaurud on tule- ja plahvatusohtlikud. Põleng või plahvatus võib tekitada põletushaavu või surma.

Kui tunnete gaasilõhna

- Ärge mootorit käivitage.
- Ärge elektrilüliteid lülitage.
- Ärge kasutage läheduses telefoni.
- Evakueerige piirkond.
- Pöörduge gaasi tarnija või päästeteenistuse poole.

## Funktsioonid ja juhtseadised

### Mootori juhtimisseadmed









Võrrelge joonistel 1, 2, 3, ja 4 tähtedega märgitud osi järgmises nimekirjas toodud mootori juhtseadistega.

- Mootori identifitseerimisnumbrid **Mudel - tüüp - kood**
- Süüteküünal
- Õhupuhasti (ilma kütusepaagita)
- Õhupuhasti (kütusepaagiga)
- Möötevarras
- Õlitäiteava
- Õlfilter (kui on masina varustuses)
- Õli väljalaskeava kork
- Õlirõhu andur
- Sõrmekaitse
- Elektristariter
- Käsistariter (kui on masina varustuses)
- Karburaator – karburaatoriga mudelid
- Summuti
- Kütusepump
- Käivituslülitid<sup>1</sup>
- Seguklapi hoob<sup>1</sup>
- Õhuklapi hoob<sup>1</sup>
- Kütusefilter (kui see on masina varustuses)
- Kütusepaak
- Kütusekraan (kui on masina varustuses)<sup>1</sup>
- Seiskamislüliti (kui on masina varustuses)<sup>1</sup>
- Õlijahuti (kui see on olemas)
- Kütusepumba moodul - EFI mudelid
- Elektrooniline juhtseade – EFI mudelid
- Kütusepihusti – EFI mudelid

<sup>1</sup> Mõnel mootoril ja seadmel on kaugjuhtimispuult. Kaugjuhtimispuuldi asukohta ja kasutamist vt seadme kasutusjuhendist.



## Mootori juhtseadiste sümbolid ja nende tähendused

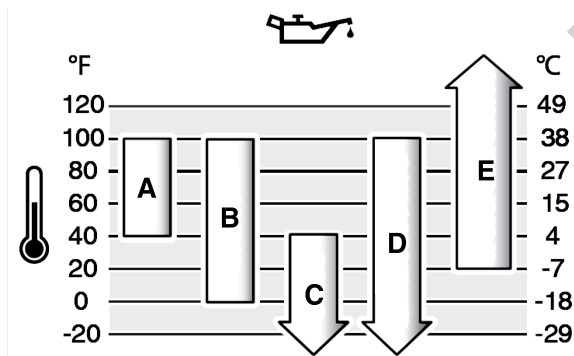
 Mootori kiirus – KIIRE	 Mootori kiirus – AEGLANE
 Mootori kiirus – SEISKAMINE	 SEES – VÄLJAS
 Mootori käivitamine Õhuklapp SULETUD	 Mootori käivitamine Õhuklapp AVATUD
 Kütusepaagi kork Kütusekraan AVATUD	 Kütusekraan SULETUD

## Kasutamine Õlisoovitused

Õlimaht: Vt jaotist **Tehnilised andmed**.

Parima jõudluse tagamiseks on soovitatav kasutada Briggs & Stratton® garantiinõuetele vastavat sertifitseeritud õli. Muude kvaliteetsete detergentõlide kasutamine on lubatud, kui need vastavad klassi SF, SG, SH, SJ nõuetele või ületavad neid. Ärge kasutage lisandeid.

Kasutage tabelit, et valida oodatava välistemperatuuri vahemiku jaoks kõige sobivama viskoossusega õli. Enamik õues kasutatavatest masinatest töötab hästi 5W-30 sünteetilise õliga. Kui masinat kasutatakse kõrge temperatuuriga piirkonnas, tagab parima kaitse sünteetiline õli Vanguard® 15W-50.



A	SAE 30 – madalamal temperatuuril kui 40 °F (4 °C) on SAE 30 õli kasutamisel mootori käivitamine raskendatud.
B	10W-30 – kõrgemal temperatuuril kui 80 °F (27 °C) võib 10W-30 õli kasutamine õlitartvet suurendada. Kontrollige sageli õlitaset.
C	5W-30
D	Sünteetiline 5W-30
E	Vanguard® sünteetiline 15W-50

## Õlitase kontrollimine

Enne õli kontrollimist või lisamist

- Veenduge, et mootor on rõhtasendis.
- Puhastage õlitäiteava ümbrus prahist.
- Õlimahtu vt jaotisest **Tehnilised andmed**.

### MÄRKUS

Mootor tarnitakse Briggs & Strattoni tehases ilma õlita. Seadme tootjad või edasimüüjad võivad olla mootori õliga täitnud. Kontrollige enne mootori esmakordset käivitamist, et õlitase on sobiv. Lisage õli, nagu on kirjas käesolevas juhendis toodud juhistes. Kui käivitate mootori ilma õlita, saab see parandamatult kahjustada ning vajalikud remonditööd ei kuulu garantii alla.

1. Eemaldage õlivarras (A, joonis 5) ja pühkige see lapiga puhtaks.
2. Paigaldage õlivarras ja keerake kinni (A, joonis 5).
3. Eemaldage õlivarras ja kontrollige õlitaset. Veenduge, et õlitase ulatub õlivardal täistasele tähistase ülaosasse (B, joonis 5).

4. Kui õlitase on madal, lisage õli mootori õlitäiteavasse (C, joonis 5). Ärge lisage liiga palju õli.
5. Oodake üks minut ja kontrollige siis õlitaset uuesti. Veenduge, et õlitase on sobiv.
6. Paigaldage õlivarras ja keerake kinni (A, joonis 5).

## Madala õlitase kaitse süsteem (kui see on olemas)

Osadel mootoritel on madala õlitase andur. Kui õlitase on madal, aktiveerib andur hoiatustule või seiskab mootori. Seisake mootor ja tehke enne mootori taaskäivitamist järgmised toimingud.

- Veenduge, et mootor on rõhtasendis.
- Kontrollige õlitaset. Vt jaotist **Õlitase kontrollimine**.
- Kui õlitase on madal, lisage piisavas koguses õli. Käivitage mootor ja veenduge, et hoiatustuli (kui see on olemas) ei sütti.
- Kui õlitase on madal, ärge mootorit käivitage. Pöörduge Briggs & Strattoni volitatud hoolduskeskusse, et õliga seotud probleem lahendada.

## Kütusesoovitused

Kütus peab vastama järgmistele nõuetele.

- Puhas, värske pliivaba bensiin.
- Minimaalne oktaanarv 87 / 87 AKI (91 RON). Suurtel kõrgustel kasutatav, vt allpool.
- Lubatud on bensiin, mis sisaldab kuni 10% etanooli (gasohol).

### MÄRKUS

Ärge kasutage ebasobivat bensiini, näiteks E15 või E85. Ärge lisage bensiinile õli ega kohandage mootorit kasutamiseks muude kütustega. Ebasobiva kütuse kasutamine tekitab mootoriosadel kahjustusi, millele garantii ei laiene.

Lisage kütusele alkoholivaba kütusestabilisaatorit ja etanoolisaldusega kütusele mõeldud kütuselisandit, et kaitsta kütusesüsteemi vaigujääkide ladestumise ja korrosiooni eest. Vt jaotist **Ladustamine**. Kõik kütused ei ole ühesugused. Kui tekivad mootori käivitumise või jõudlusega seotud probleemid, vahetage kütuse tarnijat või kütuse marki. Mootor on sertifitseeritud töötama bensiiniga. Karburaatoriga mootoritel kasutatakse heitmete vähendamise süsteemi EM (mootori muudatused). Kütuse elektroonilise sissepritsega mootoritel kasutatakse heitkoguste vähendamise süsteemi ECM (mootori juhtmoodul), MFI (mitme pordiga sissepritse), TBI (monopritse) ning O2S (hapnikuandur).

### Suured kõrgused

Kasutamisel kõrgemal kui 1524 m (5000 jalga) on lubatud bensiin, mille oktaanarv on vähemalt 85 / 85 AKI (89 RON).

Karburaatormootoreid tuleb jõudluse säilitamiseks suurtel kõrgustel töötamiseks sobivaks reguleerida. Reguleerimata kasutus põhjustab madalamat jõudlust, suuremat kütusekulu ja lubatust rohkem heidet. Mootori seadistamiseks suurtel kõrgustel töötamiseks võtke ühendust Briggs & Strattoni volitatud töökojaga. Mootorit pole soovitatav kasutada kõrgustel alla 2500 jalga (762 m), kui see on reguleeritud töötamiseks suurtel kõrgustel.

Elektroonilise sissepritsega (EFI) mootoritel pole reguleerimine vajalik, et töötada suurtel kõrgustel.

## Kütuse lisamine



**HOIATUS**  
Kütus ja selle aurud on kergestisüttivad ja plahvatusohtlikud. Põleng või plahvatus võib tekitada põletushaavu või surma.

### Kütuse tankimisel

- Seisake mootor. Oodake enne kütusepaagi korgi eemaldamist vähemalt kaks (2) minutit veendumaks, et mootor on jahtunud.
- Tankige kütust õues või piisava ventilatsiooniga kohas.
- Ärge lisage kütusepaaki liiga palju kütust. Kütuse paisumiseks ruumi jätmiseks ärge täitke paaki kütusepaagi kaela alumisest servast kõrgemale.
- Hoidke kütus eemal sädemetest, lahtisest leegist, pilootleekidest, kuumusest ja muudest süüteallikatest.
- Kontrollige regulaarselt kütusevoolikuid, kütusepaaki, kütusepaagi korki ning liitmikke pragude ja lekete suhtes. Vahetage kahjustatud osad.
- Kütuse mahaloksumisel oodake selle aurustumiseni, enne kui mootori käivitate.

1. Puhastage kütusekorgi ala mustusest ja prahist. Eemaldage kütusepaagi kork.
2. Täitke kütusepaak (A, joonis 6) kütusega. Kuna kütus paisub, ärge täitke paaki kütusepaagi kaela (B) alumisest servast kõrgemale.
3. Paigaldage kütusepaagi kork tagasi.

## Mootori käivitamine



### HOIATUS

Juhuslik mootori tekitatud säde võib põhjustada elektrilöögi, põlengu või plahvatuse ning tuua kaasa takerdumise, traumaatilise amputatsiooni või rebendeid.

#### Enne reguleerimise või remonditööde alustamist:

- Eemaldage kõik süüteküünlade juhtmed ja hoidke neid süüteküünladest eemal.
- Ühendage lahti aku miinusklapp (ainult elektristarteriga mootorid).
- Kasutage ainult sobivaid tööriistu.

#### Sädet kontrollides:

- Kasutage tunnustatud süüteküünlalasteid.
- Ärge kontrollige sädet, kui süüteküünlal on eemaldatud.



### HOIATUS

Kiire käivitustrossi sissetõmme (tagasitõmme) tõmbab kätt ja käsivart mootori poole kiiremini, kui jõuate käivitusnööri lahti lasta. See võib põhjustada luumurde või -mõrastusi või venitusi.

- Mootorit käivitades tõmmake käivitustrossi aeglaselt, kuni tunnete takistust; seejärel tõmmake kiiresti, et vältida tagasitõmmet.
- Enne mootori käivitamist lahutage või eemaldage kõik lisaseadmed ja mootorit koormavad seadised.
- Veenduge, et masinaga otse ühendatud osad, nagu terad, tiivikud, rihmarattad, ketirattad jms, on kindlalt kinnitatud.



### HOIATUS

**MÜRGISE GAASI OHT.** Mootori heitgaasid sisaldavad süsinikmonoksiidi e. vingugaasi, mis on mürgine ja võib tappa mõne minuti jooksul. Isegi kui te ei tunne heitgaaside lõhna, võite siiski kokku puutuda ohtliku vingugaasiga. Kui tunnete masina kasutamisel iiveldust, peapööritust või nõrkust, minge VIIVITAMATA värske õhu kätte. Pöörduge arsti poole. Võimalik, et teil on vingugaasi mürgitus.

- Vingugaas võib koguneda aladele, kus viibivad inimesed. Vingugaasiga seotud ohtude vähendamiseks kasutage seda masinat AINULT välitingimustes, akendest, udest ja ventilatsioonivavadest eemal.
- Paigaldage akutoitel töötavad vingugaasialarmid või vooluvõrgutoitega vingugaasialarmid koos varutoiteakuga tootja juhiste kohaselt. Suitsualarmid ei suuda vingugaasi tuvastada.
- ÄRGE käitage seda masinat majades, garaazides, keldrites, madalates käikudes, kuurides ega muudes osaliselt suletud ruumides isegi siis, kui kasutate ventilaatoreid või avate õhutamiseks ukseid ja aknad. Vingugaas võib masina kasutamisel kiiresti sellistesse kohtadesse koguneda ning jääda sinna tundideks.
- Paigutage see masin ALATI allatuult ja suunake mootori heitgaasid eemale aladelt, kus viibivad inimesed.

#### MÄRKUS

Mootor tarnitakse Briggs & Strattoni tehase ilma õlita. Seadme tootjad või edasimüüjad võivad olla mootori õliga täitnud. Kontrollige enne mootori esmakordset käivitamist, et õlitase on sobiv. Lisage õli, nagu on kirjas käesolevas juhendis toodud juhistes. Kui käivitatakse mootori ilma õlita, saab see parandamatult kahjustada ning vajalikud remonditööd ei kuulu garantii alla.

**MÄRKUS.** Teie masinal võib olla kaugjuhtimispult. Kaugjuhtimispuldi asukohta ja kasutamist vt masina kasutusjuhendist.

#### Käivitusüsteemide tüübid

Enne mootori käivitamist peate välja selgitama, milline käivitusüsteem on teie mootoril. Teie mootoril on üks järgmist tüüpi süsteemidest.

- **Elektrooniline kütuse sissepritse süsteem (EFI):** EFI-süsteemil pole õhuklappi ega kütuse eelpumpa.
- **Elektrooniline kütusejuhtimise süsteem:** Elektrooniline kütuse juhtsüsteem kasutab elektroonilist juhtploki (ECU), mis jälgib mootorit ja temperatuuri. Süsteemil pole käsijuhitavat õhuklappi ega eeltäitepumpa.
- **Õhuklapi süsteem:** Seda tüüpi süsteemil on õhuklapp, mida tuleks kasutada külma temperatuuriga. Mõnel mudelil on eraldi õhuklapi hoob ja mõnel on kombineeritud õhuklapi/seguklapi hoob. Sellel tüübil pole kütuse eelpumpa.

## Elektrooniline kütuse sissepritse süsteem (EFI)

1. Kontrollige mootoriõli. Vt jaotist **Õlitase kontrollimine**.
2. Veenduge, et juhtimisadmed (kui need on olemas) on välja lülitatud.
3. Keerake kütusekraan (A, joonis 7), kui on masina varustuses, asendisse AVATUD.
4. Vajutage seiskamislülitit (F, joonis 7, 8), kui on masina varustuses, asendisse SEES.

5. Viige seguklapi hoob (B, joonis 8), kui see on olemas, asendisse KIIRE. Kasutage mootorit asendis KIIRE.
6. **Käsistarter, kui masinal on süütevõti:** Keerake süütevõti (D, joonised 7, 8) asendisse SEES.
7. **Käsistarter, kui see on varustuses:** Haarake kindlalt käivitustrossi käepidemest (E, joonised 7, 8). Tõmmake käivitustrossi käepidet aeglaselt, kuni tunnete takistust; seejärel tõmmake järsult kiiresti.



### HOIATUS

Käivitusnööri järsk sissetõmme (tagasitõmme) tõmbab teie kätt mootori poole kiiremini, kui jõuate käivitusnööri lahti lasta. See võib põhjustada luumurde, verevalumeid ja nikastusi. Mootorit käivitades tõmmake käivitustrossi aeglaselt, kuni tunnete takistust; seejärel tõmmake kiiresti, et vältida tagasitõmmet.

8. **Elektristarter (kui on olemas):** Keerake elektrilise käivituse lüliti (D, joonised 7, 8) asendisse SEES või KÄIVITUS.

**MÄRKUS** Starteri kasutusea pikendamiseks kasutage lühikesi käivitusükkeid (kõige enam viis sekundit). Oodake üks minut enne taaskäivitamist.

Kui mootor pärast 3 või 4 katset ei käivitu, võtke ühendust kohaliku edasimüüjaga või külastage saiti [vanguardpower.com](http://vanguardpower.com) või helistage numbril 1-800-999-9333.

## Kütuse elektrooniline juhtsüsteem

1. Kontrollige mootoriõli. Vt jaotist **Õlitase kontrollimine**.
2. Veenduge, et juhtimisadmed (kui need on olemas) on välja lülitatud.
3. Keerake kütusekraan (A, joonis 7), kui on masina varustuses, asendisse AVATUD.
4. Vajutage seiskamislülitit (F, joonised 7, 8), kui on masina varustuses, asendisse SEES.
5. Viige seguklapi hoob (B, joonis 8), kui see on olemas, asendisse KIIRE. Kasutage mootorit asendis KIIRE.
6. **Käsistarter, kui masinal on süütevõti:** Keerake süütevõti (D, joonised 7, 8) asendisse SEES.
7. **Käsistarter, kui see on varustuses:** Haarake kindlalt käivitustrossi käepidemest (E, joonised 7, 8). Tõmmake käivitustrossi käepidet aeglaselt, kuni tunnete takistust; seejärel tõmmake järsult kiiresti.



### HOIATUS

Käivitusnööri järsk sissetõmme (tagasitõmme) tõmbab teie kätt mootori poole kiiremini, kui jõuate käivitusnööri lahti lasta. See võib põhjustada luumurde, verevalumeid ja nikastusi. Mootorit käivitades tõmmake käivitustrossi aeglaselt, kuni tunnete takistust; seejärel tõmmake kiiresti, et vältida tagasitõmmet.

8. **Elektristarter (kui on olemas):** Keerake elektrilise käivituse lüliti (D, joonised 7, 8) asendisse SEES või KÄIVITUS.

**MÄRKUS** Starteri kasutusea pikendamiseks kasutage lühikesi käivitusükkeid (kõige enam viis sekundit). Oodake üks minut enne taaskäivitamist.

Kui mootor pärast 3 või 4 katset ei käivitu, võtke ühendust kohaliku edasimüüjaga või külastage saiti [vanguardpower.com](http://vanguardpower.com) või helistage numbril 1-800-999-9333.

## Õhuklapi süsteem

1. Kontrollige mootoriõli. Vt jaotist **Õli kontrollimine ja lisamine**.
2. Veenduge, et juhtimisadmed (kui need on olemas) on välja lülitatud.
3. Keerake kütusekraan (A, joonis 7), kui on masina varustuses, asendisse AVATUD.
4. Vajutage seiskamislülitit (F, joonised 7, 8), kui on masina varustuses, asendisse SEES.
5. Seadke seguklapi hoob (B, joonis 7), kui on masina varustuses, asendisse KIIRE. Kasutage mootorit asendis KIIRE.
6. Lükake õhuklapi hoob (C, joonised 9, 10) asendisse SULETUD.

**MÄRKUS.** Sooja mootori käivitamisel ei ole õhuklapi sulgemine tavaliselt vajalik.

7. **Käsistarter, kui masinal on süütevõti:** Keerake süütevõti (D, joonised 7, 8) asendisse SEES.

8. **Käsistarter, kui see on varustuses:** Haarake kindlalt käivitustrossi käepidemest (E, joonised 7, 8). Tõmmake käivitustrossi käepidet (E) aeglaselt, kuni tunnete takistust, seejärel tõmmake järsult kiiresti.



#### HOIATUS

Käivitusnööri järsk sissetõmme (tagasitõmme) tõmbab teie kätt mootori poole kiiremini, kui jõuate käivitusnõöril lahti lasta. See võib põhjustada luumurde, verevalumeid ja nikastusi. Mootorit käivitades tõmmake käivitustrossi aeglaselt, kuni tunnete takistust; seejärel tõmmake kiiresti, et vältida tagasitõmme.

9. **Elektriline käivitus, kui on masina varustuses:** Keerake võtilüliti (D, joonised 7, 8) asendisse SEES või KÄIVITUS.

#### MÄRKUS

Starteri kasutusea pikendamiseks kasutage lühikesi käivitusüksikuid (kõige enam viis sekundit). Oodake üks minut enne taaskäivitamist.

10. Kui mootor on üles soojenenud, seadke õhuklapi hoob (C, joonised 9, 10) asendisse AVATUD.

**MÄRKUS.** Kui mootor pärast 2–3 katset ei käivitu, võtke ühendust kohaliku edasimüüjaga või külastage saiti vanguardpower.com või helistage numbril 1-800-999-9333.

## Mootori seiskamine



#### HOIATUS

**Kütus ja selle aurud on kergesti süttivad ja plahvatusohtlikud. Põleng või plahvatus võib tekitada põletushaavu või surma.**

- Ärge seisake mootorit karburaatori õhuklapi (kui on masina varustuses) sulgemisega.
1. **Seiskamislüliti, kui see on olemas:** Seadke seiskamislüliti (F, joonis 11) asendisse VÄLJAS.
  2. **Süütevõti, kui on masina varustuses:** Veenduge, et seguklapi hoob, kui on masina varustuses, on asendis AEGLANE ja keerake süütevõti (D, joonis 11) asendisse VÄLJAS. Eemaldage võti ja hoidke seda turvalises, lastele kättesaamatus kohas.
  3. Kui mootor on seiskunud, keerake kütusekraan (A, joonis 11), kui on masina varustuses, SULETUD asendisse.

## Hooldus

### Hooldusala teave



#### HOIATUS

**Kütus ja selle aurud on kergesti süttivad ja plahvatusohtlikud. Põleng või plahvatus võib tekitada põletushaavu või surma.**

Kui hoolduse ajal on tarvis masinat kallutada, veenduge, et kütusepaak (kui see on mootori külge monteeritud) on tühi ja süüteküünlaga ots jääb üles. Kui kütusepaak ei ole tühi, võib kütus lekkida ning põhjustada põlengu või plahvatus. Kui mootorit kallutada teises suunas, ei pruugi see hõlpsalt käivituda, sest õhufilter või süüteküünal on õli või kütusega saastunud.



#### HOIATUS

**Juhuslik mootori tekitatud säde võib põhjustada elektrilöögi, põlengu või plahvatus ja teie kaasa takerdumise, traumaatilise amputatsiooni või rebendeid.**

#### Enne reguleerimise või remonditööde alustamist:

- Eemaldage kõik süüteküünla juhtmed ja hoidke neid süüteküünaldest eemal.
- Ühendage lahti aku miinuslemm (ainult elektristarteriga mootorid).
- Kasutage ainult sobivaid tööriistu.

#### Sädet kontrollides:

- Kasutage tunnustatud süüteküünlatestrit.
- Ärge kontrollige sädet, kui süüteküünal on eemaldatud.



#### HOIATUS

Varuosad peavad olema sama kujuga ja paigaldatud samas asendis kui originaaldetailid. Muud osad võivad põhjustada kahjustusi või vigastusi.

#### MÄRKUS

Kõik mootori ehitamisel kasutatud osad peavad nõuetekohase talitluse tagamiseks jääma oma kohale.

Mootori ja mootori osade hoolduseks pöörduge Briggs & Strattoni volitatud hoolduskeskuse poole.

## Heitme kontrollisüsteemi hooldus

Heitme kontrollisüsteemi seadmete ja süsteemide hooldamiseks, vahetamiseks või remontimiseks pöörduge mitteliiklusvahendite mootoreid parandava asutuse või kvalifitseeritud hooldustehniku poole. Kuid tasuta heitme kontrolli teeninduseks tuleb pöörduda volitatud edasimüüja poole. Vt heitme kontrolli avaldusi.

## Tehnohoolduse kava

Iga 8 töötundi järel või kord päevas
<ul style="list-style-type: none"> <li>• Kontrollige mootoriõli taset.</li> <li>• Puhastage summuti ja juhtseadiste ümbrus.</li> </ul>
Iga 100 töötundi järel või kord aastas
<ul style="list-style-type: none"> <li>• Vahetage süüteküünlad.</li> <li>• Vahetage mootoriõli.</li> <li>• Vahetage õlifilter (kui see on masina varustuses).</li> <li>• Hooldage õhufiltrit <sup>1</sup>.</li> <li>• Puhastage eelpuhasti (kui see on paigaldatud) <sup>1</sup>.</li> <li>• Hooldage heitgaasisüsteemi.</li> </ul>
Iga 250 töötundi järel või kord aastas
<ul style="list-style-type: none"> <li>• Kontrollige klapi vahet. Vajaduse korral reguleerige.</li> </ul>
Iga 400 töötundi järel või kord aastas
<ul style="list-style-type: none"> <li>• Vahetage õhufilter.</li> <li>• Vahetage kütusefilter.</li> <li>• Hooldage õhkjahutussüsteemi <sup>1</sup>.</li> <li>• Puhastage õiliradiaatori ribid <sup>1</sup>.</li> </ul>

<sup>1</sup> Puhastage sagedamini tolmu kes tingimustes või kui õhus on palju osakesi.

## Elektroniline kütuse sissepritsesüsteem (EFI)

EFI-süsteem jälgib mootori temperatuuri, mootori pöörlemissagedust ja aku pinget mootori käivitamiseks ning soojendamiseks. Süsteemi ei saa reguleerida. Kui mootori käivitamisel või töötamisel esineb probleeme, pöörduge Briggs & Strattoni volitatud hoolduskeskuse poole.

**MÄRKUS** EFI-süsteemi kahjustamise vältimiseks tuleb kinni pidada järgmistest nõuetest.

- ÄRGE mootorit käivitage, kui akukaablid on lahutatud.
- Enne aku lahutamist, eemaldamist või paigaldamist tuleb keerata süütevõti asendisse VÄLJAS.
- ÄRGE kasutage mootori käivitamiseks akulaadijat.
- ÄRGE lahutage akukaableid, kui mootor töötab.
- Akukaablite ühendamisel tuleb akuga esimesena ühendada plusskaabel (+), seejärel miinuskaabel (-).
- Keerake süütelüliti aku laadimise ajaks asendisse VÄLJAS ja lahutage aku küljest miinuskaabel (-).
- ÄRGE pihustage vett otse elektroonilisele juhtmoodulile.

## Kütuse elektrooniline juhtsüsteem

Kütuse elektrooniline juhtsüsteem jälgib mootori temperatuuri, mootori pöörlemissagedust ja aku pinget ning reguleerib enne mootori käivitamist ja soojendamist vastavalt sellele õhuklapi asendit. Süsteemi ei saa reguleerida. Kui mootori käivitamisel või töötamisel esineb probleeme, pöörduge Briggs & Strattoni volitatud hoolduskeskuse poole.

**MÄRKUS** Järgige kindlasti neid reegleid, sest vastasel juhul riskite kütuse elektroonilise juhtsüsteemi kahjustamisega.

- ÄRGE mootorit käivitage, kui akukaablid on lahutatud.
- Enne käivituskaablite ühendamist või aku lahutamist või tagasiühendamist tuleb keerata süütelüliti asendisse VÄLJAS. Aku laadimise ajal peab süütelüliti olema asendis VÄLJAS.
- Akukaablite lahutamisel aku küljest tuleb esimesena lahutada miinuskaabel (-) ning alles seejärel plusskaabel (+). Akukaablite ühendamisel tuleb akuga esimesena ühendada plusskaabel (+) ning alles seejärel miinuskaabel (-).
- ÄRGE kasutage mootori käivitamiseks akulaadijat.
- ÄRGE lahutage akukaableid, kui mootor töötab.
- ÄRGE pihustage vett otse elektroonilisele juhtplokkile.

## Karburaator ja mootori pöörlemissagedus

Ärge püüdke reguleerida mootori pöördeid karburaatori, regulaatori vedru, liigendite või mõne muu detaili muutmiseks. Kui on vaja midagi reguleerida, siis laske seda teha Briggs & Strattoni volitatud hoolduskeskuses.

### MÄRKUS

Seadme tootja on määranud seadmele paigaldatud mootori suurima lubatud pöörlemissageduse. Ärge seda pöörlemissagedust ületage. Kui te ei tea seadme suurimat lubatud pöörlemissagedust või millisele pöörlemissagedusele on mootor tehases reguleeritud, pöörduge abi saamiseks Briggs & Strattoni volitatud hoolduskeskusesse. Seadme ohutu ja nõuetekohase töö tagamiseks tohib mootori pöörlemissagedust reguleerida ainult vastava kvalifikatsiooniga hooldustehnik.

## Süüteküünla hooldus

Kontrollige süüteküünla sädemevahet (A, joonis 12) kaliibriga (B). Vajaduse korral reguleerige süüteküünla sädemevahet. Paigaldage süüteküünal ja pingutage soovitatava momendiga. Sädemevahe ja pingutusmomendi andmeid vt jaotisest **Tehnilised andmed**.

## Heitgaasisüsteemi hooldus



**HOIATUS**  
Mootor ja summuti võivad kasutamise ajal kuumaks muutuda. Kui puudutate kuumu mootorit, võite saada põletushaavu.

**Süttivad materjalid, nagu lehed, rohi ja võsa, võivad süttida.**

- Seisake mootor ja oodake kaks (2) minutit enne mootori või summuti puudutamist. Veenduge, et mootorit ja summutit on ohutu puudutada.
- Eemaldage kogunenud praht summuti ja mootori piirkonnast.

California avalike ressursside seaduse (California Public Resource Code) paragrahvi 4442 järgi on motoriseeritud seadme kasutamine metsa-, põõsa- või murualadel ja nende lähedal keelatud, kui selle väljalaskesüsteem ei ole varustatud nimetatud paragrahvi 4442 nõuetele vastava sädemepüüduriga. Teistes osariikides või föderaalpiirkondades võivad olla sarnased õigusaktid, vt USA föderaalõigusaktide koodeksi 36. jaotise osa 261.52. Võtke ühendust originaalvaruosade tootja, jaemüüja või edasimüüjaga, et hankida sellele mootorile paigaldatud väljalaskesüsteemile mõeldud sädemepüüdur.

Eemaldage kogunenud praht summuti ja silindri piirkonnast. Veenduge, et summutil ei ole pragusid, roostet ega muid kahjustusi. Eemaldage deflektor või sädemepüüdur, kui see on olemas, ja veenduge, et see pole kahjustunud ega tahmast ummistunud. Kahjustuste avastamisel paigaldage varuosad enne masina uuesti kasutamist.



**HOIATUS**  
Varuosad peavad olema sama kujuga ja paigaldatud samas asendis kui originaaldetailid. Muud osad võivad põhjustada kahjustusi või vigastusi.

## Mootoriõli vahetamine



**HOIATUS**  
Kütus ja selle aurud on kergestisüttivad ja plahvatusohtlikud. Põleng või plahvatus võib tekitada põletushaavu või surma.

**Mootor ja summuti võivad kasutamise ajal kuumaks muutuda. Kui puudutate kuumu mootorit, võite saada põletushaavu.**

- Kui kasutate õli eemaldamiseks ülemist õlitäitetoru, peab kütusepaak olema tühi. Kui see ei ole tühi, võib kütus lekkida ning põhjustada põlengu või plahvatuset.
- Seisake mootor ja oodake kaks (2) minutit enne mootori või summuti puudutamist. Veenduge, et mootorit ja summutit on ohutu puudutada.

Vana õli on ohtlik jääkprodukt ning seda tuleb käidelda nõuetekohaselt. Ärge visake seda olmejäätmete sekka. Ohutu kõrvaldamise ja/või ringlussevõetupunktide kohta saate teavet kohalikust omavalitsusest, hoolduskeskusest või edasimüüjalt.

## Õlist tühjendamine

1. Kui mootor on VÄLJA lülitatud, ent ikka veel soe, lahutage süüteküünla juhe / süüteküünalde juhtmed (D, joonis 13) ja hoidke seda/neid süüteküünlast / süüteküünaldest (E) eemal.
2. Eemaldage mõõtevarras (A, joonis 14, 15).
3. Eemaldage õli väljalaskeava kork (F, joonis 16, 17). Laske õli välja sobivasse mahutisse.
4. Paigaldage õli väljalaskeava kork (F, joonis 16, 17).

## Vahetage kütusefilter (kui see on paigaldatud)

1. Laske õlil mootorist välja voolata. Vt jaotist **Õlist tühjendamine**.

2. Eemaldage õlifilter (G, joonised 18, 19) ning kõrvaldage see nõuetekohaselt.
3. Enne uue õlifiltri paigaldamist niisutage õlifiltri tihendit kergelt puhta õliga.
4. Keerake õlifiltrit käsitsi kinni, kuni tihend on õlifiltri adapteri vastas, seejärel pingutage õlifiltrit veel ½ kuni ¾ pöörde võrra.
5. Lisage õli. Vt jaotist **Õli lisamine**.
6. Käivitage ja käitage mootorit. Kui mootor on soojenenud, kontrollige õlilekkeid.
7. Seisake mootor. Veenduge, et õlitase ulatub mõõtevardal täistase tühise ülaosasse. Vt jaotist **Õli lisamine**.

## Õli lisamine

- Veenduge, et mootor on rõhtasendis.
- Puhastage õlitäiteava ümbrus prahist.
- Õlimahut vt jaotisest **Tehnilised andmed**.

1. Eemaldage mõõtevarras (A, joonised 20, 21). Puhastage õlivarras lapiga õlist.
2. Valage õli aeglaselt õli täiteavasse (C, joonised 20, 21). **Ärge lisage liiga palju.** Oodake üks minut ja kontrollige siis õlitaset.
3. Paigaldage mõõtevarras ja keerake kinni (A, joonised 20, 21).
4. Eemaldage õlivarras ja kontrollige õlitaset. Õlitase on sobiv, kui see ulatub mõõtevardal täistase tühise ülaosasse (B, joonised 20, 21).
5. Paigaldage mõõtevarras ja keerake kinni (A, joonised 20, 21).
6. Ühendage süüteküünla juhe / süüteküünalde juhtmed (D, joonis 20) süüteküünalaga / süüteküünaldega.

## Õhufiltri hooldus



**HOIATUS**  
Kütuseaurud on tule- ja plahvatusohtlikud. Põleng või plahvatus võib tekitada põletushaavu või surma.

- Ärge käivitage ega käitage mootorit, kui õhupuhasti koost (kui on masina varustuses) või õhufilter (kui on masina varustuses) on eemaldatud.

### MÄRKUS

Ärge kasutage filtri puhastamiseks suruõhku ega lahusteid. Suruõhk võib filtrit kahjustada ja lahustid lagundavad seda.

Hooldusnõudeid vt jaotisest **Hooldusgraafik**.

Osadel mudelitel on lisavarustusse kuuluv eelpuhasti, mida on võimalik pesta ja uuesti kasutada. Võrrelge kasutusjuhendis toodud illustratsioone oma mootorile paigaldatud tüübiga.

1. **Ilma kütusepaagita mudelid:** Avage sulgur(id) (A, joonis 22) ja eemaldage kate (B).
2. **Kütusepaagiga mudelid:** Eemaldage sulgur(id) (C, joonis 23) ja kate (D).
3. Eemaldage mutter (D, joonised 22, 23) ja fiksaator (E).
4. Eemaldage õhufilter (F, joonised 22, 23).
5. Eemaldage eelpuhasti (G, joonised 22, 23), kui on masina varustuses, õhufiltri (F) küljest.
6. Koputage filtrit (C, joonised 22, 23) kergelt vastu kõva pinda, et praht eemaldada. Kui filter on määrdund, asendage see uue filtriga.
7. Peske eelpuhastit (G, joonised 22, 23), kui on masina varustuses, vedela pesuvahendi ja veega. Laske eelpuhastil õhu käes täielikult ära kuivada. **ÄRGE** määri eelpuhastit.
8. Paigaldage kuiv eelpuhasti (G, joonised 22, 23), kui on masina varustuses, õhufiltrile (F).
9. Paigaldage õhufilter (F, joonised 22, 23) ning kinnitage fiksaatori (E) ja mutriga (D).
10. Paigaldage kate (B, joonised 22, 23).

## Kütusesüsteemi hooldus



**HOIATUS**  
Kütus ja selle aurud on kergestisüttivad ja plahvatusohtlikud. Põleng või plahvatus võib tekitada põletushaavu või surma.

- Hoidke kütus eemal sädemetest, lahtisest leegist, pliiootlekidest, kuumusest ja muudest süüteallikatest.
- Kontrollige regulaarselt kütusevoolikuid, kütusepaaki, kütusepaagi korki ning liitmikke pragude ja lekete suhtes. Vahetage kahjustatud osad.
- Kütuse mahaloksumisel oodake selle aurustumiseni, enne kui mootori käivitatakse.

## Kütusefilter, kui see on olemas

- Enne kütusefiltri (A, joonis 24) vahetamist tuleb kütusepaak tühjendada või kütusekraan sulgeda. Kui kütusepaaki ei tühjendata, võib kütus lekkida ning põhjustada tulekahju või plahvatusi.
- Pigistage tangidega klambri (C) sakid (B, joonis 24) kokku. Seejärel tõmmake klambriid kütusefiltrilt (A) ära.
- Keerake kütusevoolikuid (D, joonis 24) ja tõmmake need kütusefiltrilt küljest ära.
- Veenduge, et kütusevoolikud (D, joonis 24) ei leki ega ole pragunenud. Vajadusel asendage kütusevoolikud.
- Asendage kütusefilter (A, joonis 24).
- Kinnitage kütusevoolikud (D, joonis 24) klambritega (C).

## Jahutussüsteemi hooldus



**HOIATUS** Mootor ja summuti võivad kasutamise ajal kuumaks muutuda. Kui puudutate kuumu mootorit, võite saada põletushaavu.

Lehed, rohi, võsa jms süttiv praht võib kergesti süttida.

- Seisake mootor ja oodake kaks (2) minutit enne mootori või summuti puudutamist. Veenduge, et mootorit ja summutit on ohutu puudutada.
- Eemaldage kogunenud praht summuti ja mootori piirkonnast.

### MÄRKUS

Ärge kasutage mootori puhastamiseks vett. Vesi võib põhjustada kütusesüsteemi saastumist. Kasutage mootori puhastamiseks harja või puhast riietükki.

See on õhkjahutusega mootor. Mustus või praht võivad õhuvoolu takistada ja mootor võib üle kuumeneda, mis omakorda toob kaasa jõudluse vähenemise ja mootori kasutusea lühenemise.

- Eemaldage mustus õhuvõtuvõre piirkonnast harja või kuiva lapiga.
- Hoidke ühenduslüüdid, vedrud ja juhtseadised puhtana.
- Kui masinal on summuti, hoidke selle ümbrust puhtana igasugusest süttimisohustikust prahist.
- Kui masinal on õljahuti, veenduge, et selle ribad on puhtad.

Aja jooksul võib praht kuhjuda silindri jahutusribide vahele ja põhjustada mootori ülekuumenemist. Seda soovimatut prahti ei saa eemaldada ilma mootori osalise lahtivõtuta. Laske Briggs & Strattoni volitatud hoolduskeskusel õhkjahutussüsteemi kontrollida ja puhastada, nagu on kirjas jaotises **Hooldusgraafik**.

## Hoiustamine Kütusesüsteem

Vt joonist: 25.



**HOIATUS** Kütus ja selle aurud on kergestisüttivad ja plahvatusohtlikud. Põleng või plahvatus võib tekitada põletushaavu või surma.

### Kütuse ladustamine

- Kuna pilootleegid jm süüteallikad võivad põhjustada plahvatusi, hoidke kütust ja masinaid eemal ahjudest, pliitidest, boileritest jt pilootleegiga seadmetest.

Hoidke mootorit horisontaalasendis (tavaline tööasend). Täitke kütusepaak (A, joonis 25) kütusega. Kütuse paisumise lubamiseks ärge täitke kütusepaagi kaela alumisest servast kõrgemale (B).

Kütus võib rikneda, kui seda hoitakse mahutis kauem kui 30 päeva. Kütusemahutisse on soovitatav lisada alkoholivaba kütusestabilisaatorit ja etanoolisaldusega kütusele mõeldud kütuselisandit, et vältida kütuse riknemist ja hoida kütust värskena.

Kui tangite kütusemahutisse kütust, lisage sinna alkoholivaba kütusestabilisaatorit vastavalt tootja juhiste. Kui mootoris olevale bensiinile pole kütusestabilisaatorit lisatud, siis tuleb kütus sobivasse mahutisse valada. Käitage mootorit, kuni kütus on otsas.

## Mootoriõli

Vahetage mootoriõli, kui mootor on veel soe. Vt jaotist **Mootoriõli vahetamine**.

## Tõrkeotsing Abi

Abi saamiseks võtke ühendust kohaliku edasimüüjaga või minge aadressil **BRIGGSandSTRATTON.COM** või helistage numbril **1-800-444-7774** (USA).

## Tehnilised andmed

### Tehnilised andmed ja varuosad

MUDELID: 290000, 300000	
Töömaht	29.23 in <sup>3</sup> (479 cm <sup>3</sup> )
Kaliiber	2.677 in (68 mm)
Kolvi käik	2.598 in (66 mm)
Õli kogus	46 - 48 oz (1,36 - 1,42 l)
Süüteküünla sädemevahe	.030 in (.76 mm)
Süüteküünla pingutusmoment	180 lb-in (20 Nm)
Armatuuri õhuvahe - karburaatoriga mudelid	.008 - .012 in (.20 - .30 mm)
Sisselaskeklapi vahe	.004 - .006 in (.10 - .15 mm)
Väljalaskeklapi vahe	.004 - .006 in (.10 - .15 mm)

MUDEL: 350000	
Töömaht	34.78 in <sup>3</sup> (570 cm <sup>3</sup> )
Kaliiber	2.835 in (72 mm)
Kolvi käik	2.756 in (70 mm)
Õli kogus	46 - 48 oz (1,36 - 1,42 l)
Süüteküünla sädemevahe	.030 in (.76 mm)
Süüteküünla pingutusmoment	180 lb-in (20 Nm)
Armatuuri õhuvahe - karburaatoriga mudelid	.008 - .012 in (.20 - .30 mm)
Sisselaskeklapi vahe	.004 - .006 in (.10 - .15 mm)
Väljalaskeklapi vahe	.004 - .006 in (.10 - .15 mm)

MUDEL: 380000	
Töömaht	38.26 in <sup>3</sup> (627 cm <sup>3</sup> )
Kaliiber	2.972 in (75,5 mm)
Kolvi käik	2.756 in (70 mm)
Õli kogus	46 - 48 oz (1,36 - 1,42 l)
Süüteküünla sädemevahe	.030 in (.76 mm)
Süüteküünla pingutusmoment	180 lb-in (20 Nm)
Armatuuri õhuvahe - karburaatoriga mudelid	.008 - .012 in (.20 - .30 mm)
Sisselaskeklapi vahe	.004 - .006 in (.10 - .15 mm)
Väljalaskeklapi vahe	.004 - .006 in (.10 - .15 mm)

Mootori võimsus väheneb 3,5% iga 1000 ft (300 m) kohta üle merepinna ja 1% iga 10 °F (5,6 °C) kohta üle 77 °F (25 °C). Mootor töötab rahuldavalt kuni 15 kraadise nurga all. Ohutute kasutuspiiride leidmiseks kallakutel vt seadme kasutusjuhendit.

MUDELID: 290000, 300000, 350000, 380000	
Varuosa	Osa number
Õhufilter (kütusepaagiga, joonis 23)	383857
Õhufilter (v.a mudel 380000, joonis 22)	394018
Õhufilter (mudel 380000, 22)	692519
Õhufilter, eelpuhasti (kütusepaagiga, joonis 23)	271794
Õhufilter, eelpuhasti (v.a mudel 380000, joonis 22)	272490
Õhufilter, eelpuhasti (mudel 380000, joonis 22)	692520
Õli - SAE 30	100028
Õlifilter	842921
Kütusefilter (kütusepaagiga)	808116
Kütusefilter (kütusepumbaga)	845125
Kütusefilter (ilma kütusepumbata)	298090
Takistiga küünal	491055S
Pika kasutuseaga plaatinaküünal	696202, 5066K
Küünla võti	19576S
Süütestester	84003327



Soovitame mootori ja mootori osade hoolduseks pöörduda Briggs & Strattoni volitatud edasimüüja poole.

## Nimivõimsus

Üksikute bensiinimootorite nimivõimsused on märgitud kooskõlas SAE (USA Autoinseneride Liidu) standardiga J1940 (väikemootorite võimsuse ja pöördemomendi määramise protseduur) ja nimiväärtuste andmed on saadud ning korrigeeritud kooskõlas standardiga SAE J1995. Pöördemomendi väärtused on saadud kiirusel 2600 p/min nendel mootoritel, mille andmesildil on märgitud „rpm” ja kiirusel 3060 p/min kõigi teiste puhul; hobujõudude väärtused on saadud kiirusel 3600 p/min. Koguvõimsuse kõveraid saab vaadata aadressil [www.BRIGGSandSTRATTON.COM](http://www.BRIGGSandSTRATTON.COM). Tegelikku netovõimsust on mõõdetud koos väljalasketoru ja õhupuhastiga, brutovõimsust aga mõõdetakse ilma nende seadisteta. Mootori tegelik koguvõimsus on suurem kui netovõimsus ja sõltub muu hulgas keskkonnatingimustest ning mootorite individuaalsetest erinevustest. Arvestades laia tooteskaalat, milles mootoreid kasutatakse, ei pruugi bensiinimootor saavutada märgitud brutovõimsust konkreetses seadmes. See erinevus tuleneb mitmest tegurist, k.a mitmesugused mootori osad (õhupuhasti, väljalaskesüsteem, laadimine, jahutus, karburaator, kütusepump jne), kasutuspiirangud, keskkonnatingimused (temperatuur, niiskus, kõrgus) ning mootorite individuaalsed erinevused. Tootmis- ja mahupiirangute tõttu võib Briggs & Stratton asendada selle mootori kõrgema nimivõimsusega mootoriga.

## Garantii

### Briggs & Stratton®-i mootorigarantii

Kehtiv alates 2022. a augustist

#### Piiratud garantii

Briggs & Stratton garanteerib järgnevalt nimetatud garantiiperioodi jooksul mis tahes osa, millel on materjali- või tootmisdefekt või mõlemad, tasuta parandamise või asendamise uue, taastatud või remonditud osaga. Konkreetne parandusmeede valitakse Briggs & Strattoni ainuäranägemisel. Parandamiseks või asendamiseks saadetakse toote transpordikulud tasuta ostja. Käesolev garantii kehtib allpool nimetatud ajaperioodil ja tingimustel. Garantiiteeninduse saamiseks otsige lähim volitatud hoolduskeskus meie edasimüüjate kaardilt aadressil [BRIGGSandSTRATTON.COM](http://BRIGGSandSTRATTON.COM). Ostja peab võtma ühendust volitatud hooldustöökajaga ja andma seejärel toote volitatud hooldustöökajale kontrollimiseks ja testimiseks.

**Käesolev garantii on ainus selgesõnaline garantii. Kaudsed garantiid, kaasa arvatud need, mis puudutavad turustatavust ja konkreetseks otstarbeks sobivust, kehtivad ostukuupäevast alates ühe aasta jooksul või seadusega nõutud perioodi kestel. Kõik muud kaudsed garantiid on välistatud. Vastutus ettenägematute või kaudsete kahjude eest on välistatud seadusega lubatud ulatuses.** Mõned riigid või osariigid ei luba piiranguid kaudse garantii kehtivusajale ning mõned riigid või osariigid ei luba juhuslike või kaudsete kahjude välistamist või piiramist, mistõttu nimetatud piirang või välistamine ei pruugi teile kehtida. See garantii annab teile konkreetset juriidilist õigust ja teil võib olla ka muid õigusi olenevalt osariigist või riigist.

Garantii tüüptingimused <sup>1, 2</sup>
<b>Vanguard®; Commercial Series</b>
Tarbijakasutus - 36 kuud
Kommertskasutus - 36 kuud
<b>XR Series</b>
Tarbijakasutus - 24 kuud
Kommertskasutus - 24 kuud
<b>Kõik muud mootorid, millel on Dura-Bore™ malmist muhv</b>
Tarbijakasutus - 24 kuud
Kommertskasutus - 12 kuud
<b>Kõik muud mootorid</b>
Tarbijakasutus - 24 kuud
Kommertskasutus - 3 kuud

<sup>1</sup> Need on meie üldised garantiitingimused, kuid vahel võivad lisanduda täiendavad garantiid, mis ei olnud juhendi ilmumise ajal kindlaks määratud. Kehtivad mootori garantiitingimused leiate veebisaidilt [BRIGGSandSTRATTON.com](http://BRIGGSandSTRATTON.com). Teise võimalusena pöörduge kohaliku Briggs & Strattoni volitatud hoolduskeskuse poole.

<sup>2</sup> Garantii ei kehti mootoritele nendes masinates, mida kasutatakse peamise toiteallikana vooluvõrgu asemel; kommertseesmärkidel töötavate varugeneraatoritena ja teenindussõidukitena, mille kiirus ületab 25 mi/h. Garantii ei kehti ka mootoritele, mida kasutatakse võidusõitudel või äri- või rendiotstarbel.

\* Austraalias – meie toodetel on garantiid, mida ei saa Austraalia tarbijaõiguse kohaselt välistada. Teil on õigus toote asendamisele või tagasimaksle suure rike korral ning kompensatsioonile mis tahes muude mõistlikult prognoositavate kadude või kahjude korral. Samuti on teil õigus toodete parandamisele või asendamisele, kui toodete kvaliteet ei ole vastuvõetaval tasemel ja rike ei ole suur. Garantiinhoolduseks pöörduge lähima volitatud hoolduskeskuse poole, kasutades meie edasimüüjate kaarti aadressil [BRIGGSandSTRATTON.COM](http://BRIGGSandSTRATTON.COM) või helistades numbril 1300 274 447 või saates e-kirja

aadressil [salesenquiries@briggsandstratton.com.au](mailto:salesenquiries@briggsandstratton.com.au), Briggs & Stratton Australia Pty Ltd, 1 Moorebank Avenue, Moorebank, NSW, Austraalia, 2170.

Garantiiperiood algab esmase era- või ärikasutaja ostukuupäevast ning kestab eeltoodud tabelis näidatud aja jooksul. „Tavakasutus” tähendab isiklikku kasutamist kodumajapidamises jaetarbija poolt. „Kommertskasutus” tähendab kõiki teisi kasutusviise, kaasa arvatud ärilisel, tulu saamise või rentimise eesmärgil kasutamist. Kui mootorit on kasutatud mõnel perioodil kommertseesmärkidel, siis loetakse seda mootorit selle garantii mõttes ärikasutuses olevaks mootoriks.

**Briggs & Strattoni toodetel pole garantii kehtivuseks garantii registreerimine vajalik. Hoidke ostmist tõendav tšekk alles. Kui teil puudub esmast ostukuupäeva tõendav dokument, siis lähtutakse garantiiteenindusel garantiiperioodi pikkuse määramisel toote tootmiskuupäevast.**

#### Teie garantiist

See garantii laieneb üksnes mootoriga seotud materjali- või valmistusvigadele ning ei hõlma selle masina asendamist ega hüvitamist, millesse mootor paigaldati. Garantii ei hõlma jooksvat hooldust, häälestamist, reguleerimist ja mootori tavalist kulumist. Samuti ei kehti garantii juhul, kui mootorit on muudetud või modifitseeritud või kui selle seerianumber on rikutud või eemaldatud. Käesolev garantii ei kata mootori kahjustusi ega toimivusprobleeme, mis tulenevad:

1. Briggs & Strattoni mitte-originaal varuosade kasutamisest;
2. mootori kasutamisest õliga, mida on lisatud ebapiisavas koguses või mis on saastunud või vale kvaliteediklassiga;
3. saastunud või vana kütuse kasutamisest, bensiini kasutamisest, mis sisaldab üle 10% etanooli, või muude kütuste kasutamisest, nt vedelgaas või maagaas, mootoritel, mis pole Briggs & Stratton poolt algselt konstrueeritud/toodetud tööks selliste kütustega;
4. mustusest, mis on mootorisse sattunud õhupuhasti vale hoolduse tõttu või mootori uuesti kokkupanekul;
5. muruniiduki löiketeraga objekti tabamisest, terakohandajate, tiivikute või teiste väntvõllile ühendatud seadiste ebaõigest paigaldusest, kiilrihma liigest pingususest;
6. muude kui Briggs & Stratton pakutavate abiosade või sõlmede, nt sidurite, jõuülekannete, seadme juhtseadiste jne kasutamisest;
7. ülekuumenemisest, mis on tekkinud niidetud muru, mustuse, prahi või jahutusribidesse või hooratta alasse sattunud näriliste pesade tõttu või on tingitud mootori kasutamisest piisava ventilatsioonita;
8. ülemäärases vibratsioonist, mis on tingitud liigest kiirusest, mootori lahtisest paigaldusest, lahtisest või tasakaalustamata löiketeradest või tiivikutest või masinaosade vales ühendamisest väntvõllile;
9. väärkasutusest, regulaarse hoolduse puudumisest, laadimisest, käsitsemisest, masinate ladustamisest või mootori vales paigaldamisest.

Garantiinhooldust teostavad ainult Briggs & Stratton volitatud hoolduskeskused. Leidke lähim volitatud hoolduskeskus meie edasimüüjate kaardilt aadressil [BRIGGSandSTRATTON.COM](http://BRIGGSandSTRATTON.COM) või helistades numbril 1-800-444-7774 (USA).

80114782 (redaktsioon A)

## Opće informacije



Ovaj priručnik sadrži sigurnosne informacije o opasnostima i rizicima povezanih s ovim motorom i načinima sprječavanja tih opasnosti. Ovdje se također nalaze upute o tome kako na ispravan način koristiti i održavati motor. Važno je da pročitate, shvatite i pridržavate se ovih uputa. **Sačuvajte ovaj priručnik kako biste se ubuduće mogli njime poslužiti.**

**NAPOMENA:** Slike i ilustracije u ovom priručniku služe samo u informativne svrhe i mogu se razlikovati od vašeg modela. Koristite slike sukladne konfiguraciji vašeg motora. Po potrebi obratite se ovlaštenom serviseru.

Zapišite datum kupnje, model motora, vrstu, podešavanje motora i serijski broj jer će vam trebati za zamjenske dijelove. Ovi brojevi nalaze se na motoru. Pogledajte dio **Funkcije i upravljanje**.

Datum kupnje	
Model - vrsta - podešavanje motora	
Serijski broj motora	

## Kontaktne podaci europskog ureda

Za pitanja vezana za emisije ispušnih plinova u Europi, kontaktirajte naš europski ured na adresi:

Max-Born-Straße 2, 68519 Viernheim, Njemačka.

## Europska unija (EU) Faza V (5): Vrijednosti za ugljični dioksid (CO2)

Unesite CO<sub>2</sub> u prozor za pretraživanje na stranici BriggsandStratton.com kako biste pronašli vrijednosti za ugljični dioksid za Briggs & Stratton motore s EU certifikatom tipnog odobrenja.

## Informacije o recikliranju




Reciklirajte sve kartone, kutije, otpadno ulje i baterije kako je određeno u državnim propisima.

## Sigurnost rukovatelja

### Sigurnosni simboli upozorenja i signalne riječi



Sigurnosni simbol upozorenja  upotrebljava se za prikaz sigurnosnih informacija o opasnostima koje mogu izazvati tjelesne ozljede. Signalna riječ (**OPASNOST**, **UPOZORENJE**, ili **OPREZ**) se koristi za isticanje vjerojatnosti i težine potencijalne ozljede. Osim toga, simbol opasnosti se koristi za označavanje vrste opasnosti.







**OPASNOST** označava opasnost koja će, ukoliko se ne izbjegne, izazvati smrt ili tešku ozljedu.





**UPOZORENJE** označava opasnost koja može, ukoliko se ne izbjegne, izazvati smrt ili tešku ozljedu.

**OPREZ** označava opasnost koja može, u slučaju da se ne izbjegne, izazvati laku ili srednje tešku ozljedu.

**OPASKA** se odnosi na važnu informaciju koja nije povezana s opasnošću.

## Simboli opasnosti i njihovo značenje

	Sigurnosne informacije o opasnostima koje mogu rezultirati tjelesnom ozljedom.		Pročitajte i proučite korisnički priručnik prije upotrebe ili servisiranja uređaja.
	Opasnost od požara		Opasnost od eksplozije
	Opasnost od strujnog udara		Opasnost od otrovnog dima

	Opasnost od vruće površine		Opasnost od povratnog udara
	Opasnost od amputacije - pokretni dijelovi		Razina goriva - maksimalna Nemojte prepunjavati

## Sigurnosne poruke



### UPOZORENJE

Motori tvrtke Briggs & Stratton® nisu namijenjeni za i ne smiju se koristiti za pogon: fun-kart i go-kart karting vozila; dječjih, rekreacijskih ili sportskih ATV vozila; motocikala; lebdjelica; zrakoplova ili vozila koja se koriste u natjecanjima za koja tvrtka Briggs & Stratton nije dala odobrenje. Više pojedinosti o proizvodima za natjecateljsku vožnju potražite na [www.briggsracing.com](http://www.briggsracing.com). U vezi s upotrebom na pomoćnim i paralelnim ATV vozilima kontaktirajte Centar za primjenu pogona tvrtke Briggs & Stratton na broj 1-866-927-3349. Nepravilna upotreba motora može rezultirati teškom ozljedom ili smrću.



### UPOZORENJE

**Gorivo i njegove pare su zapaljivi i eksplozivni. Požar ili eksplozija mogu uzrokovati opekline ili smrt.**

### Kad dodajete ulje

- Zaustavite motor. Prije uklanjanja čepa za gorivo, pričekajte najmanje dvije (2) minute kako biste se uvjerali da je motor hladan.
- Spremnik za gorivo punite vani ili u području s dobrim protokom zraka.
- Nemojte ulijevati previše goriva u spremnik. Radi ekspanzije goriva, ne punite spremnik iznad donjeg dijela grla spremnika za gorivo.
- Gorivo držite podalje od iskri, otvorenog plamena, plinskog plamena, topline ili drugih izvora zapaljenja.
- Često ispitajte cijevi za gorivo, spremnik za gorivo, čep za ulje, i spojeve na pukotine ili curenje. Zamijenite oštećene dijelove.
- Ako se gorivo prolije, pričekajte dok se ne osuši prije pokretanja motora.

### Prilikom pokretanja motora

- Provjerite jesu li svjećica, prigušivač, čep spremnika za gorivo i filter zraka (ako je ugrađen) ispravno postavljeni.
- Ne pokušavajte pokrenuti motor okretanjem ako je svjećica izvađena.
- Ako je motor potopljen, postavite čok (ako je ugrađen) u položaj OTVORENO ili RAD. Čok prebacite (ako je ugrađen) u položaj BRZO, i verglajte sve dok se motor ne pokrene.
- Ako je prisutno ispuštanje prirodnog plina ili ukapljenog naftnog plina u području rada, tada ne pokrećite motor.
- Budući da su pare zapaljive, ne koristite tekućine za pokretanje pod tlakom.

### Kad rukujete opremom

- Ne naginjite motor ili opremu pod kutom koji može izazvati izlivanje goriva.
- Motor nemojte zaustavljati gušenjem rasplinjača (ako je ugrađen).
- Ne pokrećite i ne rukujte motorom kada je uklonjen pročištač zraka (ako postoji) ili filter zraka (ako postoji).

### Kod radova održavanja

- Ako ulje praznite kroz gornju cijev za dolijevanje ulja, spremnik za gorivo mora biti prazan. Ako nije prazan, može doći do curenja goriva i može uzrokovati požar ili eksploziju.
- Ako je tijekom održavanja potrebno nagnuti uređaj, pazite da spremnik za gorivo (ako je ugrađen na motor) bude prazan i da je strana sa svjećicom okrenuta prema gore. Ako spremnik za gorivo nije prazan, može doći do curenja, a posljedično tome do požara ili eksplozije.
- Često ispitajte cijevi za gorivo, spremnik za gorivo, čep za ulje, i spojeve na pukotine ili curenje. Zamijenite oštećene dijelove.
- Ne mijenjajte oprugu regulatora, veze ili druge dijelove radi povećanja brzine motora.
- Nemojte udarati po zamašnjaku čekićem ili drugim tvrdim predmetom. Ovo može rezultirati kvarom zamašnjaka tijekom rada.
- Zamjenski dijelovi moraju biti jednakog dizajna kao originalni i moraju se postaviti na isto mjesto kao i originalni dijelovi. Drugi dijelovi se pak mogu pokvariti ili uzrokovati ozljedu.

### Kada premjestite lokaciju opreme

- Pazite da spremnik za gorivo bude PRAZAN ili da ventil za zatvaranje dovoda goriva bude u položaju ZATVORENO.

#### Kad se gorivo ili oprema skladište s gorivom u spremniku za gorivo

- Budući da žižci ili drugi izvori paljenja mogu izazvati eksploziju, gorivo ili opremu držite dalje od peći, štednjaka, grijača vode (bojlera) i drugih uređaja koji imaju žižke.



#### UPOZORENJE

Gorivo i njegove pare su zapaljivi i eksplozivni. Požar ili eksplozija mogu uzrokovati opekline ili smrt.

#### Pokretanje motora uzrokuje iskrenje što može izazvati požar ili eksploziju.

- Ako je prisutno ispuštanje prirodnog plina ili ukapljenog naftnog plina u području rada, tada ne pokrećite motor.
- Budući da su pare zapaljive, ne koristite tekućine za pokretanje pod tlakom.



#### UPOZORENJE

**OPASNOST OD OTROVNOG PLINA.** Ispušni plinovi motora sadrže ugljični monoksid, otrovni plin koji vas može usmrtiti za nekoliko minuta. Iako ne osjećate miris ispušnih plinova, ipak možete biti izloženi opasnom ugljičnom monoksidu. Ako osjećate mučninu, vrtoglavicu ili slabost kada koristite ovaj proizvod, ODMAH izađite na svjež zrak. Potražite pomoć liječnika. Možda ste se otrovali ugljičnim monoksidom.

- Plin ugljični monoksid skuplja se u prostorima u kojima borave ljudi. Da biste smanjili opasnost od nakupljanja ugljičnog monoksida, ovaj proizvod koristite ISKLJUČIVO na otvorenom, na velikoj udaljenosti od prozora, vrata i ventilacijskih otvora.
- Montirajte detektore (alarme) ugljičnog monoksida pokretane baterijom ili utični detektor (alarm) ugljičnog monoksida s baterijom kao što je navedeno u uputama proizvođača. Detektori dima ne mogu osjetiti prisutnost ugljičnog monoksida.
- NE rukujte ovim proizvodom u kućama, garažama, podrumima, u skućenim prostorima, ostavama ili drugim djelomično zatvorenim prostorima čak i ako koristite ventilatore ili držite otvorenim vrata i prozore radi ventilacije. Nakon upravljanja ovim proizvodom, ugljični monoksid se može brzo nakupiti u ovim prostorima i ostati tamo satima.
- Proizvod UVIJEK stavljajte niz vjetar i usmjerite ispuh motora dalje od mjesta u kojemu borave ljudi.



#### UPOZORENJE

Brzo vraćanje konopca za pokretanje (povratni udarac) povući će vašu šaku i ruku ka motoru brže no što ga možete ispustiti. Posljedica može biti lom kostiju, frakture, modrice ili uganuće.

- Kako biste spriječili povratni udarac kod pokretanja motora, lagano povucite konop za pokretanje dok ne osjetite otpor i zatim naglo povucite.
- Prije pokretanja motora uklonite sva vanjska opterećenja opreme/motora.
- Provjerite jesu li izravno spojeni dijelovi opreme poput, ali ne i isključivo, oštrica noževa, krilaca, remenica, lančanika, pravilno pričvršćeni.



#### UPOZORENJE

Dijelovi koji se ruke mogu zahvatiti ruke, noge, kosu, odjeću ili pomagala, i uzrokovati traumatsku amputaciju ili otvorene ozljede.

- Rukujte opremom s pravilno postavljenim štيتnicima.
- Ruke i noge držite podalje od rotirajućih dijelova.
- Skinite nakit i pazite da duga kosa bude udaljena od svih okretnih dijelova.
- Ne nosite labavu odjeću ili predmete koji bi mogli biti zahvaćeni.



#### UPOZORENJE

Tijekom rada, motor i prigušivač postaju vrući. Ako dodirujete vrući motor, može doći do opekline.

#### Zapaljivi materijali, poput lišća, trave, grmlja mogu se zapaliti.

- Prije nego dodirnete motor ili prigušivač, zaustavite motor i pričekajte dvije (2) minute. Provjerite jesu li motor i prigušivač sigurni za dodirivanje.
- Odstranite ostatke s prigušivača i motora.

Uporaba ili rukovanje motorom na bilo kojem zemljištu prekrivenom šumom, grmljem ili travom smatra se kršenjem kalifornijskog zakona o javnim resursima dio 4442 (California Public Resource Code Section 4442), osim ako ispušni sustav nije opremljen hvatačem iskri kao što je to definirano u dijelu 4442 gornjeg zakona, koji treba održavati u dobrom radnom stanju. Druge države ili federalna zakonodavstva mogu imati slične zakone, pogledajte zadovoljavaju li zahtjeve američkih saveznih propisa 36 CFR dio 261.52. Kontaktirajte proizvođača originalne opreme, trgovca ili zastupnika i pribavite hvatač iskri osmišljen za ispušni sustav postavljen na ovom motoru.



#### UPOZORENJE

Slučajna iskra motora može izazvati strujni udar, požar ili eksploziju, te može doći do zaplitanja, traumatske amputacije ili otvorene ozljede.

#### Prije nego što izvršite podešavanja ili popravke:

- Odvojite sve kabele svjećica i držite ih podalje od svjećica.
- Odspojite kabel akumulatora na negativnom priključku akumulatora (samo za motore s električnim pokretanjem).
- Koristite samo odgovarajuće alate.

#### Kad provjeravate ima li iskrenja:

- Koristite odobreni ispitivač svjećica.
- Ne provjeravajte ima li iskrenja kada je svjećica uklonjena.



#### UPOZORENJE

Pare goriva su zapaljive i eksplozivne. Požar ili eksplozija mogu uzrokovati opekline ili smrt.

#### Ako namirišete plin

- Nemojte pokretati motor.
- Nemojte uključivati električne prekidače.
- Nemojte u blizini koristiti telefon.
- Evakuirajte područje.
- Obratite se plinari ili vatrogascima.

## Funkcije i upravljanje









### Upravljački elementi motora

Usporedite slova oznaka na slikama 1, 2, 3, i 4 s upravljačkim elementima motora na popisu:

- A. Brojevi za prepoznavanje motora **model - vrsta - šifra**
- B. Svjećica
- C. Pročistač zraka (bez spremnika za gorivo)
- D. Pročistač zraka (sa spremnikom za gorivo)
- E. Štapić za mjerenje razine ulja
- F. Otvor za uljevanje ulja
- G. Filtar ulja (ako je ugrađen)
- H. Čep odvoda ulja
- I. Senzor tlaka ulja
- J. Zaštitni oklop
- K. Elektropokretač
- L. Povratni pokretač (ako je ugrađen)
- M. Rasplinjač - modeli s rasplinjačem
- N. Prigušivač
- O. Pumpa za gorivo
- P. Sklopka pokretača<sup>1</sup>
- Q. Regulator gasa<sup>1</sup>
- R. Regulator čoka<sup>1</sup>
- S. Filtar goriva (ako je ugrađen)
- T. Spremnik za gorivo
- U. Ventil za dovod goriva (ako je ugrađen)<sup>1</sup>
- V. Prekidač za zaustavljanje (ako je ugrađen)<sup>1</sup>
- W. Hladnjak ulja (ako je ugrađen)
- X. Modul pumpe za gorivo - EFI modeli
- Y. Elektronički upravljački modul - EFI modeli
- Z. Ubrizgivač goriva - EFI modeli

<sup>1</sup>Neki motori i oprema imaju daljinsko upravljanje. Upute o lokaciji i radu daljinskog upravljanja potražite u priručniku za opremu.

## Simboli upravljanja motorom i njihovo značenje

 Brzina vrtnje motora - VISOKA	 Brzina vrtnje motora - NISKA
 Brzina vrtnje motora - ZAUSTAVLJEN	 Uključeno - Isključeno
 Pokretanje motora Čok ZATVOREN	 Pokretanje motora Čok OTVOREN
 Čep spremnika za gorivo Ventil za dovod goriva - OTVOREN	 Ventil za dovod goriva - ZATVOREN

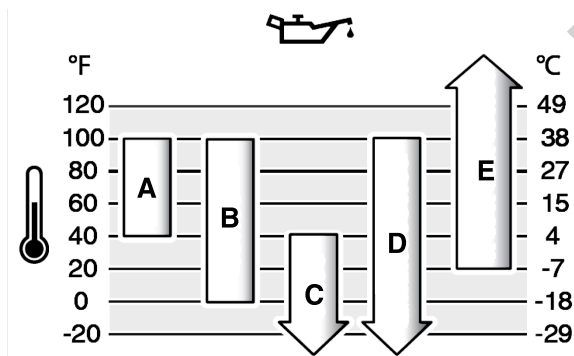
## Rukovanje

### Preporučena ulja

Kapacitet spremnika ulja: Pogledajte odjeljak **Tehnički podaci**.

Za postizanje najboljeg radnog učinka preporučujemo uporabu ulja tvrtke Briggs & Stratton® koja su odobrena jamstvom. Dopuštena su i druga visokokvalitetna motorna ulja s aditivima deterdženta ako im je oznaka kvalitete SF, SG, SH, SJ ili viša. Ne koristite posebne aditive.

Koristite grafikon za odabir najbolje viskoznosti u skladu s očekivanim rasponom vanjske temperature. Motori za većinu opreme za vanjsku primjenu dobro rade sa sintetičkim uljem 5W-30. Za opremu kojom se rukuje na visokim temperaturama, najbolju zaštitu daje sintetičko ulje Vanguard® 15W-50.



<b>A</b>	<b>SAE 30</b> - Upotreba ulja SAE 30 na temperaturi ispod 40 °F (4 °C) izazvat će teškoće s pokretanjem.
<b>B</b>	<b>10W-30</b> - Upotreba ulja 10W-30 na temperaturi iznad 80 °F (27 °C) može povećati potrošnju ulja. Često provjeravajte razinu ulja.
<b>C</b>	<b>5W-30</b>
<b>D</b>	<b>Sintetičko ulje 5W-30</b>
<b>E</b>	<b>Vanguard® sintetičko ulje 15W-50</b>

### Provjerite razinu ulja

Prije nego provjerite ili dolijete ulje

- Pazite da motor bude u vodoravnom položaju.
- Iz područja za ulijevanje ulja očistite nečistoće.
- Pogledajte odjeljak **Tehnički podaci** za količinu ulja.

#### OPASKA

Ovaj se motor iz tvrtke Briggs & Stratton isporučuje bez ulja. Moguće je da su proizvođači opreme ili prodajni zastupnici dodali ulje u motor. Prije nego prvi put pokrenete motor, provjerite je li razina ulja ispravna. Dolijte ulje kako je navedeno u uputama iz ovog priručnika. Ako motor pokrenete bez ulja, on će se oštetiti, i neće biti moguć popravak pokriven jamstvom.

1. Izvadite štapić za mjerenje razine ulja (A, slika 5a) i očistite ga krpom.
2. Postavite i stegnite štapić za mjerenje razine ulja (A, slika 5).
3. Izvadite štapić za mjerenje razine ulja i provjerite razinu ulja. Pripazite da razina ulja bude do vrha indikatora napunjenosti (B, slika 5) na štapiću za mjerenje razine ulja.

4. Ako je razina ulja niska, polako dolijevajte ulje u otvor za ulijevanje ulja na motoru (C, slika 5). Nemojte uliti previše ulja.
5. Pričekajte jednu minutu, zatim ponovo provjerite razinu ulja. Provjerite je li razina ulja ispravna.
6. Postavite i stegnite štapić za mjerenje razine ulja (A, slika 5).

### Sustav zaštite od preniske razine ulje (ako je ugrađen)

Na neke motore je ugrađen indikator niske razine ulja. Ako je razina ulja niska, indikator (osjetnik) će pokazati upozoravajuće svjetlo ili zaustaviti rad motora. Zaustavite motor i napravite ove korake prije pokretanja motora.

- Pazite da motor bude u vodoravnom položaju.
- Provjerite razinu ulja. Pogledajte odjeljak **Provjera razine ulja**.
- Ako je razina ulja niska, ulijte odgovarajuću količinu ulja. Pokrenite motor i pazite da lampica upozorenja (ako je ugrađena) ne svijetli.
- Ako razina ulja nije niska, nemojte pokretati motor. Kontaktirajte ovlaštenog servisera Briggs & Stratton kako bi ispravio problem s uljem.

### Preporučena goriva

Gorivo mora zadovoljiti ove zahtjeve:

- Čist, svjež bezolovni benzin.
- Najmanje 87 oktana / 87 AKI (91 RON). Uporaba na velikoj nadmorskoj visini, vidi dolje.
- Dozvoljen je benzin s najviše 10% etanola (gazohol).

#### OPASKA

Nemojte rabiti neodobrene benzine, primjerice, E15 i E85. Ne miješajte ulje i benzin te ne miješajte motor kako bi ga pokretala alternativna goriva. Upotreba neodobrenih goriva može dovesti do oštećenja dijelova motora, koji se neće popraviti u okviru jamstva.

Za zaštitu sustava dovoda goriva od stvaranja gume i korozije, pomiješajte stabilizator goriva koji ne sadrži alkohol i etanol s gorivom. Pogledajte odjeljak **Pohrana**. Nisu sva goriva jednaka. Ako dođe do problema prilikom paljenja ili rada, promijenite dobavljača goriva ili robnu marku goriva. Ovaj motor je certificiran za rad na benzin. Sustav kontrole emisija za motore s rasplinjačem je EM (preinake motora). Sustavi kontrole emisija za motore s elektroničkim ubrizgavanjem goriva su ECM (upravljački modul motora), MPI (ubrizgavanje u više točaka), TBI (ubrizgavanje putem kućišta prigušne zaklopke) i O2S (lambda sonda), ako je motor njome opremljen.

#### Velika nadmorska visina

Na visinama iznad 5.000 stopa (1524 metra) dozvoljen je benzin s minimalno 85 oktana / 85 AKI (89 RON).

Za motore koji su karburirani, nužno je izvršiti podešavanje za visoke nadmorske visine kako bi se zadržale performanse. Rad bez ovih podešavanja izazvat će smanjenje performansi, povećat će potrošnju goriva i emisiju plinova. Za više informacija o podešavanju na velikim nadmorskim visinama kontaktirajte ovlaštenog zastupnika tvrtke Briggs & Stratton. Na nadmorskim visinama ispod 2500 stopa (762 metra) ne preporučuje se rad s podešavanjima za visoke nadmorske visine.

Za motore s elektroničkim ubrizgavanjem goriva (EFI) nije potrebno podešavanje za visoke nadmorske visine.

### Dolijte ulje



#### UPOZORENJE

Gorivo i njegove pare su zapaljivi i eksplozivni. Požar ili eksplozija mogu uzrokovati opekline ili smrt.

#### Kad dodajete ulje

- Zaustavite motor. Prije uklanjanja čepa za gorivo, pričekajte najmanje dvije (2) minute kako biste se uvjerali da je motor hladan.
- Spremnik za gorivo puniti vani ili u području s dobrim protokom zraka.
- Nemojte ulijevati previše goriva u spremnik. Radi ekspanzije goriva, ne puniti spremnik iznad donjeg dijela grla spremnika za gorivo.
- Gorivo držite podalje od iskri, otvorenog plamena, plinskog plamena, topline ili drugih izvora zapaljenja.
- Često ispitujte cijevi za gorivo, spremnik za gorivo, čep za ulje, i spojeve na pukotine ili curenje. Zamijenite oštećene dijelove.
- Ako se gorivo prolje, pričekajte dok se ne osuši prije pokretanja motora.

1. Očistite nečistoće i ostatke s površine čepa spremnika za gorivo. Uklonite čep spremnika za gorivo.
2. Spremnik za gorivo (A, slika 6) napunite gorivom. Budući da će gorivo ekspanzirati, ne puniti spremnik iznad donjeg dijela grla spremnika za gorivo (B).
3. Vratite čep spremnika za gorivo.

## Pokretanje motora



### UPOZORENJE

Slučajna iskra motora može izazvati strujni udar, požar ili eksploziju, te može doći do zaplitanja, traumatske amputacije ili otvorene ozljede.

#### Prije nego što izvršite podešavanja ili popravke:

- Odvojite sve kabele svjećica i držite ih podalje od svjećica.
- Odspojite kabel akumulatora na negativnom priključku akumulatora (samo za motore s električnim pokretanjem).
- Koristite samo odgovarajuće alate.

#### Kad provjeravate ima li iskrenja:

- Koristite odobreni ispitivač svjećica.
- Ne provjeravajte ima li iskrenja kada je svjećica uklonjena.



### UPOZORENJE

Brzo vraćanje konopca za pokretanje (povratni udarac) povući će vašu šaku i ruku ka motoru brže no što ga možete ispustiti. Posljedica može biti lom kostiju, frakture, modrice ili uganuće.

- Kako biste spriječili povratni udarac kod pokretanja motora, lagano povucite konop za pokretanje dok ne osjetite otpor i zatim naglo povucite.
- Prije pokretanja motora uklonite sva vanjska opterećenja opreme/motora.
- Provjerite jesu li izravno spojeni dijelovi opreme poput, ali ne i isključivo, oštrica noževa, krilaca, remenica, lančanika, pravilno pričvršćeni.



### UPOZORENJE

**OPASNOST OD OTROVNOG PLINA.** Ispušni plinovi motora sadrže ugljični monoksid, otrovni plin koji vas može usmrtniti za nekoliko minuta. Iako ne osjećate miris ispušnih plinova, ipak možete biti izloženi opasnom ugljičnom monoksidu. Ako osjećate mučninu, vrtoglavicu ili slabost kada koristite ovaj proizvod, ODMAH izađite na svježi zrak. Potražite pomoć liječnika. Možda ste se otrovali ugljičnim monoksidom.

- Plin ugljični monoksid skuplja se u prostorima u kojima borave ljudi. Da biste smanjili opasnost od nakupljanja ugljičnog monoksida, ovaj proizvod koristite ISKLJUČIVO na otvorenom, na velikoj udaljenosti od prozora, vrata i ventilacijskih otvora.
- Montirajte detektore (alarme) ugljičnog monoksida pokretane baterijom ili utični detektor (alarm) ugljičnog monoksida s baterijom kao što je navedeno u uputama proizvođača. Detektori dima ne mogu osjetiti prisutnost ugljičnog monoksida.
- NE rukujte ovim proizvodom u kućama, garažama, podrumima, u skućenim prostorima, ostavama ili drugim djelomično zatvorenim prostorima čak i ako koristite ventilatore ili držite otvorena vrata i prozore radi ventilacije. Nakon upravljanja ovim proizvodom, ugljični monoksid se može brzo nakupiti u ovim prostorima i ostati tamo satima.
- Proizvod UVJEK stavlajte niz vjetar i usmjerite ispuh motora dalje od mjesta u kojemu borave ljudi.

### OPASKA

Ovaj se motor iz tvrtke Briggs & Stratton isporučuje bez ulja. Moguće je da su proizvođači opreme ili prodajni zastupnici dodali ulje u motor. Prije nego prvi put pokrenete motor, provjerite je li razina ulja ispravna. Dolijte ulje kako je navedeno u uputama iz ovog priručnika. Ako motor pokrenete bez ulja, on će se oštetiti, i neće biti moguć popravak pokriven jamstvom.

**NAPOMENA:** Vaša oprema bi mogla imati daljinsko upravljanje. Lokaciju i način korištenja daljinskog upravljanja potražite u priručniku opreme.

#### Vrste sustava pokretanja

Prije nego što pokrenete motor, morate znati koju vrstu sustava za pokretanja ima vaš motor. Vaš motor ima jednu od ovih vrsta sustava.

- **Sustav elektroničkog ubrizgavanja goriva (EFI):** Sustav EFI nema čok ni pumpicu za ubrizgavanje.
- **Sustav elektroničkog upravljanja gorivom:** Sustav elektroničkog upravljanja gorivom ima elektroničku upravljačku jedinicu (ECU) kojom se prati motor i temperaturni uvjeti. Nema ručnog čoka ili pumpice za ubrizgavanje.
- **Sustav sa čokom:** Ova vrsta sustava ima čok koji se treba koristiti kod niskih temperatura. Neki modeli opremljeni su zasebnim regulatorom čoka, a neki pak imaju kombinirani regulator čoka i gasa. Ovaj tip nema pumpicu.

## Sustav elektroničkog ubrizgavanja goriva (EFI)

1. Provjerite motorno ulje. Pogledajte odjeljak **provjera razine ulja**.
2. Ako su ugrađeni, provjerite jesu li regulatori pogona isključeni.
3. Okrenite ventil za dovod goriva (A, slika 7), ako je ugrađen, u položaj OTVORENO.

4. Gurnite sklopku za zaustavljanje (F, slika 7, 8), ako je ugrađena, u položaj UKLJUČENO.
5. Pomaknite regulator gasa (B, slika 8), ako postoji, u položaj BRZO. Pokrenite motor u BRZOM načinu rada.
6. **Ručno pokretanje, ako je opremljen sklopkom s ključem:** Okrenite sklopku s ključem (D, slika 7, 8) u položaj UKLJUČENO.
7. **Ručni pokretač, ako je ugrađen:** Čvrsto držite ručku užeta za pokretanje (E, slika 7, 8). Polagano povlačite dršku kabela pokretača dok ne osjetite otpor, a zatim je povucite brzo.



### UPOZORENJE

Brzo vraćanje konopca za pokretanje (povratni udarac) povući će šaku i ruku ka motoru brže no što ga možete ispustiti. To može rezultirati slomljenim kostima, frakturama, ogrebotinama ili iščašenjima. Kako biste spriječili povratni udarac kod pokretanja motora, lagano povucite konop za pokretanje dok ne osjetite otpor i zatim naglo povucite.

8. **Elektropokretač, ako je ugrađen:** Okrenite sklopku za električno pokretanje (D, slika 7, 8) u položaj UKLJUČENO ili POKRENI.

**OPASKA** Za produženje vijeka trajanja pokretača koristite kratke cikluse pokretanja (najviše pet sekundi). Pričekajte jednu minutu između ciklusa pokretanja.

Ako se motor ne pokrene ni nakon 3 ili 4 pokušaja, obratite se svom lokalnom zastupniku ili idite na [vanguardpower.com](http://vanguardpower.com) ili nazovite 1-800-999-9333.

## Sustav elektroničkog upravljanja gorivom

1. Provjerite motorno ulje. Pogledajte odjeljak **provjera razine ulja**.
2. Ako su ugrađeni, provjerite jesu li regulatori pogona isključeni.
3. Okrenite ventil za dovod goriva (A, slika 7), ako je ugrađen, u položaj OTVORENO.
4. Gurnite sklopku za zaustavljanje (F, slika 7, 8), ako je ugrađena, u položaj UKLJUČENO.
5. Pomaknite regulator gasa (B, slika 8), ako postoji, u položaj BRZO. Pokrenite motor u BRZOM načinu rada.
6. **Ručno pokretanje, ako je opremljen sklopkom s ključem:** Okrenite sklopku s ključem (D, slika 7, 8) u položaj UKLJUČENO.
7. **Ručni pokretač, ako je ugrađen:** Čvrsto držite ručku užeta za pokretanje (E, slika 7, 8). Polagano povlačite dršku kabela pokretača dok ne osjetite otpor, a zatim je povucite brzo.



### UPOZORENJE

Brzo vraćanje konopca za pokretanje (povratni udarac) povući će šaku i ruku ka motoru brže no što ga možete ispustiti. To može rezultirati slomljenim kostima, frakturama, ogrebotinama ili iščašenjima. Kako biste spriječili povratni udarac kod pokretanja motora, lagano povucite konop za pokretanje dok ne osjetite otpor i zatim naglo povucite.

8. **Elektropokretač, ako je ugrađen:** Okrenite sklopku za električno pokretanje (D, slika 7, 8) u položaj UKLJUČENO ili POKRENI.

**OPASKA** Za produženje vijeka trajanja pokretača koristite kratke cikluse pokretanja (najviše pet sekundi). Pričekajte jednu minutu između ciklusa pokretanja.

Ako se motor ne pokrene ni nakon 3 ili 4 pokušaja, obratite se svom lokalnom zastupniku ili idite na [vanguardpower.com](http://vanguardpower.com) ili nazovite 1-800-999-9333.

## Sustav sa čokom

1. Provjerite motorno ulje. Pogledajte odjeljak **Provjera razine ulja i dolijevanje ulja**.
2. Ako su ugrađeni, provjerite jesu li regulatori pogona isključeni.
3. Okrenite ventil za dovod goriva (A, slika 7), ako je ugrađen, u položaj OTVORENO.
4. Gurnite sklopku za zaustavljanje (F, slika 7, 8), ako je ugrađena, u položaj UKLJUČENO.
5. Pomaknite regulator gasa (B, slika 7), ako je ugrađen, u položaj BRZO. Pokrenite motor u BRZOM načinu rada.
6. Postavite regulator čoka (C, slike 9, 10) u položaj ZATVORENO.

**NAPOMENA:** Čok je obično nepotreban kad palite topli motor.

7. **Ručno pokretanje, ako je opremljen sklopkom s ključem:** Okrenite sklopku s ključem (D, slika 7, 8) u položaj UKLJUČENO.
8. **Ručni pokretač, ako je ugrađen:** Čvrsto držite ručku užeta za pokretanje (E, slika 7, 8). Polagano povlačite dršku užeta za pokretanje (E) dok ne osjetite otpor, a zatim je povucite brzo.





## UPOZORENJE

Brzo vraćanje konopca za pokretanje (povratni udarac) povući će šaku i ruku ka motoru brže no što ga možete ispustiti. To može rezultirati slomljenim kostima, frakturama, ogrebotinama ili iščašenjima. Kako biste spriječili povratni udarac kod pokretanja motora, lagano povucite konop za pokretanje dok ne osjetite otpor i zatim naglo povucite.

9. **Električno pokretanje, ako je ugrađeno:** Okrenite sklopku s ključem (D, slike 7, 8) u položaj UKLJUČENO ili POKRENI.

## OPASKA

Za produženje vijeka trajanja pokretača koristite kratke cikluse pokretanja (najviše pet sekundi). Pričekajte jednu minutu između ciklusa pokretanja.

10. Kada se motor zagrije, okrenite regulator čoka (C, slike 9, 10) u položaj OTVORENO.

**NAPOMENA:** Ako se motor ne pokrene ni nakon nekoliko 2 – 3 pokušaja, obratite se svom lokalnom predstavniku ili posjetite stranicu [vanguardpower.com](http://vanguardpower.com) ili nazovite 1-800-999-9333.

## Zaustavite motor



## UPOZORENJE

**Gorivo i njegove pare su zapaljivi i eksplozivni. Požar ili eksplozija mogu uzrokovati opekline ili smrt.**

- Motor nemojte zaustavljati gušenjem rasplinjača (ako je ugrađen).
1. **Sklopka za zaustavljanje (stop sklopka), ako je ugrađena:** Okrenite sklopku za zaustavljanje (F, slika 11) u položaj ISKLJUČENO.
  2. **Sklopka s ključem, ako je ugrađena:** Dok se regulator gasa, ako je ugrađen, nalazi u položaju SPORO, sklopku s ključem (D, slika 11) okrenite u položaj ISKLJUČENO. Izvadite ključ i pohranite ga na sigurnom mjestu izvan dohvata djece.
  3. Kada se rad motora zaustavi, okrenite ventil za dovod goriva (A, slika 11), ako je ugrađen, u položaj ZATVORENO.

## Održavanje

### Podaci o održavanju



## UPOZORENJE

**Gorivo i njegove pare su zapaljivi i eksplozivni. Požar ili eksplozija mogu uzrokovati opekline ili smrt.**

Ako je tijekom održavanja potrebno nagnuti uređaj, pazite da spremnik za gorivo (ako je ugrađen na motor) bude prazan i da je strana sa svjećicom okrenuta prema gore. Ako spremnik za gorivo nije prazan, može doći do curenja, a posljedično i do požara ili eksplozije. Ako se motor nagne u drugom smjeru, neće se lako pokrenuti zbog onečišćenja filtra zraka ili svjećice uljem ili gorivom.



## UPOZORENJE

**Slučajna iskra motora može izazvati strujni udar, požar ili eksploziju, te može doći do zaplitanja, traumatske amputacije ili otvorene ozljede.**

### Prije nego što izvršite podešavanja ili popravke:

- Odvojite sve kabele svjećica i držite ih podalje od svjećica.
- Odspojite kabel akumulatora na negativnom priključku akumulatora (samo za motore s električnim pokretanjem).
- Koristite samo odgovarajuće alate.

### Kad provjeravate ima li iskrenja:

- Koristite odobreni ispitivač svjećica.
- Ne provjeravajte ima li iskrenja kada je svjećica uklonjena.



## UPOZORENJE

Zamjenski dijelovi moraju biti jednakog dizajna kao originalni i moraju se postaviti na isto mjesto kao i originalni dijelovi. Drugi dijelovi se pak mogu pokvariti ili uzrokovati ozljedu.

## OPASKA

Svi sastavni dijelovi moraju biti na svom mjestu kako bi ovaj motor radio ispravno.

Obratite se ovlaštenom serviseru tvrtke Briggs & Stratton za održavanje i servis motora i dijelova motora.

## Servis sustava za kontrolu emisija

Za održavanje, zamjenu ili popravak uređaja i sustava za kontrolu emisija, obratite se stručnoj radionici ili osobi koja se bavi popravcima malih motora. Ipak, za „besplatan“ servis sustava za kontrolu emisije radove mora obaviti ovlaštení serviser tvornice. Pogledajte izjave o kontroli emisije.

## Plan održavanja

U razmacima od 8 sati ili dnevno
<ul style="list-style-type: none"> <li>• Provjerite razinu ulja u motoru.</li> <li>• Očistite područje oko prigušivača i kontrola upravljanja.</li> </ul>
U razmacima od 100 sati ili godišnje
<ul style="list-style-type: none"> <li>• Zamijenite svjećice.</li> <li>• Zamijenite ulje u motoru.</li> <li>• Zamijenite filter ulja (ako je ugrađen).</li> <li>• Servisiranje filtra zraka <sup>1</sup>.</li> <li>• Očistite predfilter (ako je ugrađen) <sup>1</sup>.</li> <li>• Servisirajte ispušni sustav.</li> </ul>
U razmacima od 250 sati ili godišnje
<ul style="list-style-type: none"> <li>• Provjerite zazor ventila. Prema potrebi ga podesite.</li> </ul>
U razmacima od 400 sati ili godišnje
<ul style="list-style-type: none"> <li>• Zamijenite filter zraka.</li> <li>• Zamijenite filter goriva.</li> <li>• Servisirajte sustav hlađenja zrakom <sup>1</sup>.</li> <li>• Očistite rebra hladnjaka ulja <sup>1</sup>.</li> </ul>

<sup>1</sup> Čistite češće u prašnjavim uvjetima ili kad je u zraku prisutno mnogo čestica.

## Sustav elektroničkog ubrizgavanja goriva (EFI)

Sustav EFI nadzire temperaturu motora, brzinu motora i napon baterije za pokretanje i zagrijavanje motora. Sustav nema mogućnost prilagodbe. Ako dođe do problema s pokretanjem ili radom, tada se obratite ovlaštenom servisu tvrtke Briggs & Stratton.

**OPASKA** Pridržavajte se postupka u nastavku jer u protivnom se može oštetiti sustav EFI.

- NE pokrećite motor ako su kabeli baterije olabavljeni.
- Okrenite ključ u položaj ISKLJUČENO prije odvajanja, uklanjanja i/ili ugradnje baterije.
- NE koristite punjač baterije za pokretanje motora.
- NE odvajajte kabele baterije dok motor radi.
- Prilikom odvajanja kabela baterije, prvo priključite pozitivni (+) kabel, a zatim negativni (-) kabel na bateriju.
- Prilikom punjenja baterije ključ za paljenje okrenite u položaj ISKLJUČENO i odvojite negativni (-) kabel baterije od baterije.
- NE prskajte vodom izravno po elektroničkom upravljačkom modulu.

## Sustav elektroničkog upravljanja gorivom

Sustav za elektroničko upravljanje gorivom nadzire temperaturu motora, brzinu motora i napon baterije zbog podešavanja čoka tijekom pokretanja i zagrijavanja motora. Sustav nema mogućnost prilagodbe. Ako se pojavi problem s pokretanjem ili radom, obratite se ovlaštenom serviseru tvrtke Briggs & Stratton.

**OPASKA** Svakako slijedite ova pravila jer bi u protivnom moglo doći do oštećenja elektroničkog sustava upravljanja gorivom.

- NE pokrećite motor ako su kabeli baterije olabavljeni.
- Prije nego što spojite kabele za premošteno pokretanje, ili odspojite ili ponovo spojite kabele akumulatora, prekidač s ključem okrenite u položaj ISKLJUČENO. Kada puniti akumulator, prekidač s ključem okrenite u položaj ISKLJUČENO.
- Kada odspajate kabele s akumulatora, odspojite negativni (-) kabel, a zatim odspojite pozitivni (+) kabel. Kada spajate kabele na akumulator, spojite pozitivni (+) kabel, a zatim negativni (-) kabel.
- NE koristite punjač baterije za pokretanje motora.
- NE odvajajte kabele baterije dok motor radi.
- NE prskajte vodom izravno po elektroničkoj upravljačkoj jedinici.

## Rasplinjač i brzina vrtnje motora

Nikad ne radite podešavanja na rasplinjaču, opruzi regulatora, polužju ili drugim dijelovima radi podešavanja brzine motora. Ako su potrebna bilo kakva podešavanja, obratite se ovlaštenom servisnom centru Briggs & Stratton za servis.

## OPASKA

Proizvođač opreme propisuje maksimalnu brzinu vrtnje motora koji je montiran na opremi. Nemojte prekoračiti ovu brzinu. Ako niste sigurni kolika je maksimalna brzina vrtnje opreme ili na koju je brzinu vrtnje motor podešen u tvornici, obratite se ovlaštenom servisnom centru Briggs & Stratton radi pomoći. Kako bi se osigurao siguran i pravilan rad opreme, brzinu vrtnje smije podešavati samo kvalificirani serviser.

## Servisiranje svjećeice

Razmak elektroda (A, slika 12) provjerite žičanim mjerjačem (B). Ako je potrebno, podesite zazor svjećeice. Montirajte svjećicu i pritegnite je odgovarajućim momentom. Informacije o potrebnom zazoru i momentu potražite u odjeljku **Tehnički podaci**.

## Servisiranje ispušnog sustava



**UPOZORENJE**  
Tijekom rada, motor i prigušivač postaju vrući. Ako dodirujete vrući motor, može doći do opekline.

Zapaljivi materijali, poput lišća, trave, grmlja mogu se zapaliti.

- Prije nego dodirnete motor ili prigušivač, zaustavite motor i pričekajte dvije (2) minute. Provjerite jesu li motor i prigušivač sigurni za dodirivanje.
- Odstranite ostatke s prigušivača i motora.

Uporaba ili rukovanje motorom na bilo kojem zemljištu prekrivenom šumom, grmljem ili travom smatra se kršenjem kalifornijskog zakona o javnim resursima dio 4442 (California Public Resource Code Section 4442), osim ako ispušni sustav nije opremljen hvatačem iskri kao što je to definirano u dijelu 4442 gornjeg zakona, koji treba održavati u dobrom radnom stanju. Druge države ili federalna zakonodavstva mogu imati slične zakone, pogledajte zadovoljavaju li zahtjeve američkih saveznih propisa 36 CFR dio 261.52. Kontaktirajte proizvođača originalne opreme, trgovca ili zastupnika i pribavite hvatač iskri osmišljen za ispušni sustav postavljen na ovom motoru.

Uklonite ostatke s područja prigušivača i cilindra. Provjerite da na prigušivaču nema pukotina, korozije ili drugih oštećenja. Skinite deflektor ili hvatač iskre, ako je ugrađen, i pregledajte da nema oštećenja ili začepljenosti ugljičnim naslagama. Ako otkrijete oštećenje, montirajte zamjenski dio prije rukovanja opremom.



**UPOZORENJE**  
Zamjenski dijelovi moraju biti jednakog dizajna kao originalni i moraju se postaviti na isto mjesto kao i originalni dijelovi. Drugi dijelovi se pak mogu pokvariti ili uzrokovati ozljedu.

## Zamjena motornog ulja



**UPOZORENJE**  
Gorivo i njegove pare su zapaljivi i eksplozivni. Požar ili eksplozija mogu uzrokovati opekline ili smrt.

Tijekom rada, motor i prigušivač postaju vrući. Ako dodirujete vrući motor, može doći do opekline.

- Ako ulje praznite kroz gornju cijev za dolijevanje ulja, spremnik za gorivo mora biti prazan. Ako nije prazan, može doći do curenja goriva i može uzrokovati požar ili eksploziju.
- Prije nego dodirnete motor ili prigušivač, zaustavite motor i pričekajte dvije (2) minute. Provjerite jesu li motor i prigušivač sigurni za dodirivanje.

Iskorišteno ulje opasan je otpad i mora se odbaciti na pravilan način. Ne bacajte u kućni otpad. Obratite se mjesnim vlastima, servisnom centru ili prodavatelju za sigurno odlaganje ili reciklažu.

## Ispuštanje ulja

1. Dok je motor ISKLJUČEN, ali je još uvijek topao, odvojite žice svjećeice (D, slika 13) i odložite ih dalje od svjećeice(a) (E).
2. Izvadite štapić za mjerenje razine ulja (A, slika 14, 15).
3. Skinite čep odvoda ulja (F, slike 16, 17). Ulje ispusite u odgovarajuću posudu.
4. Postavite i zategnite čep za ispuštanje ulja (F, slika 16, 17).

## Zamijenite filter ulja, ako je ugrađen

1. Ispustite ulje iz motora. Pogledajte odjeljak **Ispuštanje ulja**.
2. Uklonite filter ulja (G, slika 18, 19) i pravilno ga zbrinite.
3. Prije montiranja novog uljnog filtra, lagano podmažite brtvu uljnog filtra čistim uljem.
4. Ručno montirajte filter ulja sve dok brtva ne dira adapter filtra ulja, a zatim stegnite filter ulja s 1/2 do 3/4 okreta.
5. Dolijte ulje. Pogledajte odjeljak **Dolijevanje ulja**.

6. Pokrenite motor. Kad se motor zagrije, provjerite curi li ulje.
7. Zaustavite motor. Pripazite da razina ulja bude do vrha indikatora napunjenosti na štapiću za mjerenje razine ulja. Pogledajte odjeljak **Dolijevanje ulja**.

## Dolijevanje ulja

- Pazite da motor bude u vodoravnom položaju.
- Iz područja za ulijevanje ulja očistite sve nečistoće.
- Pogledajte odjeljak **Tehnički podaci** za količinu ulja.

1. Izvadite štapić za mjerenje razine ulja (A, slika 20, 21). Ulje sa štapića za mjerenje razine ulja uklonite čistom krpom.
2. Polako ulijevajte ulje u otvor za ulijevanje ulja u motor (C, slika 20, 21) **Nemojte prepuniti**. Pričekajte jednu minutu i zatim provjerite razinu ulja.
3. Postavite i stegnite štapić za mjerenje razine ulja (A, slika 20, 21).
4. Izvadite štapić za mjerenje razine ulja i provjerite razinu ulja. Propisana razina ulja nalazi se na gornjem dijelu pokazatelja napunjenosti (B, slika 20, 21) na štapiću za mjerenje razine ulja.
5. Postavite i stegnite štapić za mjerenje razine ulja (A, slika 20, 21).
6. Spojite kabel svjećeice(a) (D, slika 20) na svjećicu(e).

## Servisiranje filtra zraka



**UPOZORENJE**  
Pare goriva su zapaljive i eksplozivne. Požar ili eksplozija mogu uzrokovati opekline ili smrt.

- Ne pokrećite ili ne rukujte motorom kada je uklonjen sklop pročištača zraka (ako je ugrađen) ili zračni filter (ako je ugrađen).

## OPASKA

Za čišćenje filtra ne upotrebljavajte stlačeni zrak ili otapala. Komprimirani zrak može dovesti do oštećenja filtra, a otapala ga mogu rastvoriti.

Pogledajte **Plan održavanja** radi utvrđivanja potrebnih servisa.

Neki modeli mogu biti opremljeni i s predčistačem koji se može oprati i ponovo koristiti. Usporedite slike u ovom priručniku s vrstom koja je ugrađena na motoru.

1. **Modeli bez spremnika za gorivo:** Otkvačite steznike (A, slika 22) i skinite poklopac (B).
2. **Modeli sa spremnikom za gorivo:** Uklonite vijak(e) (C, slika 23) i poklopac (D).
3. Uklonite maticu (D, slika 22, 23) i osigurač (E).
4. Skinite filter zraka (F, slika 22, 23).
5. Uklonite predfilter (G, slike 22, 23), ako je ugrađen, sa filtra zraka (F).
6. Olabavite otpatke tako da lagano kucnete filtrom zraka (F, slika 22, 23) o tvrdvu površinu. Ako je filter zraka pretjerano zaprljan, zamijenite ga novim filtrom.
7. Očistite predfilter (G, slika 22, 23), ako je ugrađen, u tekućem deterdžentu i vodi. Pustite da se prečistač osuši na zraku. **NE** podmazujte predfilter zraka.
8. Montirajte suhi predfilter (G, slike 22, 23), ako je ugrađen, na zračni filter (F).
9. Ugradite filter zraka (F, slike 22, 23) i pričvrstite ga osiguračem (E) i maticom (D).
10. Postavite poklopac (B, slika 22, 23).

## Servisiranje sustava za gorivo



**UPOZORENJE**  
Gorivo i njegove pare su zapaljivi i eksplozivni. Požar ili eksplozija mogu uzrokovati opekline ili smrt.

- Gorivo držite podalje od iskri, otvorenog plamena, plinskog plamena, topline ili drugih izvora zapaljenja.
- Često ispitujte cijevi za gorivo, spremnik za gorivo, čep za ulje, i spojeve na pukotine ili curenje. Zamijenite oštećene dijelove.
- Ako se gorivo prolje, pričekajte dok se ne osuši prije pokretanja motora.

## Filter goriva, ako je ugrađen

1. Prije nego zamijenite filter goriva (A, slika 24), ispusite gorivo iz spremnika ili zatvorite zaporni ventil goriva. Ako gorivo nije ispušteno iz spremnika, ono može istjecati i izazvati požar ili eksploziju.
2. Stisnite jezičke (B, slika 24) na objuncama (C) kliještima. Uklonite objuncice s filtra goriva (A).
3. Svinite i odvojite vodove za gorivo (D, slika 24) s filtra za gorivo.
4. Ispitajte ima li na crijevima za gorivo (D, slika 24) pukotina ili propuštanja. Po potrebi zamijenite vodove za gorivo.
5. Zamijenite filter za gorivo (A, slika 24).

6. Stezaljkama (C) pričvrstite crijeva za gorivo (D, slika 24).

## Servisiranje rashladnog sustava



### UPOZORENJE

Tijekom rada, motor i prigušivač postaju vrući. Ako dodirujete vrući motor, može doći do opekline.

Zapaljivi ostaci, poput lišća, trave i grmlja mogu se zapaliti.

- Prije nego dodirnete motor ili prigušivač, zaustavite motor i pričekajte dvije (2) minute. Provjerite jesu li motor i prigušivač sigurni za dodirivanje.
- Odstranite ostatke s prigušivača i motora.

### OPASKA

Za čišćenje motora ne koristite vodu. Voda može uzrokovati onečišćenje sustava goriva. Motor očistite četkom ili suhom krpom.

Ovo je motor sa zračnim hlađenjem. Prljavština i ostaci mogu spriječiti protok zraka i izazvati pregrijavanje motora što može rezultirati nezadovoljavajućim radom motora i kraćim vijekom trajanja.

1. Četkom ili suhom krpom odstranite otpad s rešetke na usisu zraka.
2. Polužje, opruge i ručice upravljanja održavajte čistima.
3. Na području oko i iza prigušivača, ako je ugrađen, ne smije biti zapaljive nečistoće.
4. Pazite da su rebra hladnjaka ulja, ako postoje, čista.

Nakon određenog vremena na rebrima cilindra hladnjaka može se nakupiti prljavština, što može izazvati pregrijavanje motora. Ovaj se neželjeni materijal ne može ukloniti bez djelomičnog rastavljanja motora. Prepustite ovlaštenom servisnom predstavniku Briggs & Stratton da pregleda i očisti sustav zračnog hlađenja prema preporukama iz **Plana održavanja**.

## Skladištenje

### Sustav dovoda goriva

Pogledajte sliku: 25.



### UPOZORENJE

Gorivo i njegove pare su zapaljivi i eksplozivni. Požar ili eksplozija mogu uzrokovati opekline ili smrt.

### Skladištenje goriva

- Budući da žižci ili drugi izvori paljenja mogu izazvati eksploziju, gorivo ili opremu držite dalje od peći, štednjaka, grijača vode (bojlera) i drugih uređaja koji imaju žižke.

Motor držite u vodoravnom položaju (normalni radni položaj). Spremnik za gorivo (A, slika 25) napunite gorivom. Zbog ekspanzije goriva, ne puniti spremnik iznad donjeg dijela dna grla spremnika za gorivo (B).

Gorivo može postati ustajalo ako se čuva u spremniku duže od 30 dana. Preporučuje se uporaba stabilizatora goriva bez alkohola i etanola u spremniku za gorivo radi održavanja svježine goriva.

Kad puniti spremnik gorivom, dodajte stabilizator goriva bez alkohola kako je navedeno u uputama proizvođača. Ako benzin u motoru nije tretiran stabilizatorom goriva, mora se ispustiti u odobrenu posudu. Rukujte motorom dok ne ponestane goriva.

## Motorno ulje

Promijenite motorno ulje dok je motor još topao. Pogledajte dio **Provjera i dolijevanje motornog ulja**.

## Rješavanje problema

### Pomoć

Za pomoć se obratite lokalnom zastupniku ili idite na **BRIGGSandSTRATTON.COM** ili nazovite **1-800-444-7774** (u SAD-u).

## Tehnički podaci

### Tehnički podaci i servisni dijelovi

MODELI: 290000, 300000	
Radni volumen	29.23 ci (479 cm <sup>3</sup> )
Provrt	2.677 in (68 mm)
Hod klipa	2.598 in (66 mm)
Kapacitet spremnika ulja	46 - 48 oz (1,36 - 1,42 L)
Zazor svjeće	.030 in (.76 mm)
Zatezni moment svjeće	180 lb-in (20 Nm)

MODELI: 290000, 300000	
Zračni razmak armature - modeli s rasplinjačem	.008 - .012 in (.20 - .30 mm)
Zazor usisnog ventila	.004 - .006 in (.10 - .15 mm)
Zazor ispušnog ventila	.004 - .006 in (.10 - .15 mm)

MODEL: 350000	
Radni volumen	34.78 ci (570 cm <sup>3</sup> )
Provrt	2.835 in (72 mm)
Hod klipa	2.756 in (70 mm)
Kapacitet spremnika ulja	46 - 48 oz (1,36 - 1,42 L)
Zazor svjeće	.030 in (.76 mm)
Zatezni moment svjeće	180 lb-in (20 Nm)
Zračni razmak armature - modeli s rasplinjačem	.008 - .012 in (.20 - .30 mm)
Zazor usisnog ventila	.004 - .006 in (.10 - .15 mm)
Zazor ispušnog ventila	.004 - .006 in (.10 - .15 mm)

MODEL: 380000	
Radni volumen	38.26 ci (627 cm <sup>3</sup> )
Provrt	2.972 in (75,5 mm)
Hod klipa	2.756 in (70 mm)
Kapacitet spremnika ulja	46 - 48 oz (1,36 - 1,42 L)
Zazor svjeće	.030 in (.76 mm)
Zatezni moment svjeće	180 lb-in (20 Nm)
Zračni razmak armature - modeli s rasplinjačem	.008 - .012 in (.20 - .30 mm)
Zazor usisnog ventila	.004 - .006 in (.10 - .15 mm)
Zazor ispušnog ventila	.004 - .006 in (.10 - .15 mm)

Snaga motora smanjit će se za 3,5 % na svakih 1000 stopa (300 metara) nadmorske visine i za 1 % na svakih 10 °F (5,6 °C) iznad 77 °F (25 °C). Motor će raditi na zadovoljavajući način pod kutom od najviše 15°. Pogledajte korisnički priručnik opreme u kojem su navedena ograničenja za sigurno rukovanje na kosinama.

MODELI: 290000, 300000, 350000, 380000	
Rezervni dio	Broj rezervnog dijela
Filtar zraka (sa spremnikom goriva, slika 23)	383857
Filtar zraka (osim modela 380000, slika 22)	394018
Filtar zraka (model 380000, 22)	692519
Filtar zraka, predfilter (sa spremnikom za gorivo, slika 23)	271794
Filtar zraka, predfilter (osim modela 380000, slika 22)	272490
Filtar zraka, predfilter (model 380000, slika 22)	692520
Ulje - SAE 30	100028
Uljni filter	842921
Filtar goriva (sa spremnikom goriva)	808116
Filtar goriva (s pumpom za gorivo)	845125
Filtar goriva (bez pumpe za gorivo)	298090
Svjeća s otpornikom	491055S
Dugotrajna platinasta svjeća	696202, 5066K
Ključ za svjećicu	19576S
Ispitivač iskre	84003327

Preporučujemo vam da se obratite ovlaštenom zastupniku tvrtke Briggs & Stratton za održavanje i servis motora i dijelova motora.

## Vrijednosti snage

Vrijednost bruto snage za pojedinačne modele benzinskih motora označena je u skladu s kodeksom J1940 Postupak određivanja snage i zakretnog momenta za male motore društva SAE (Society of Automotive Engineers) i određuje se u skladu s kodeksom SAE J1995. Vrijednosti okretnog momenta dobivene su pri 2600 o/min za one motore gdje su vrijednosti za „o/min“ istaknute na naljepnici, a pri 3060 o/min za ostale; vrijednosti snage motora dobivene su pri 3600 o/min. Krivulje bruto snage mogu se vidjeti na [www.BRIGGSandSTRATTON.COM](http://www.BRIGGSandSTRATTON.COM). Neto vrijednosti snage dobivene su uz postavljenu ispušnu cijev i filtarski zrak dok su bruto vrijednosti snage dobivene bez ovih priključaka.

Stvarna bruto snaga motora bit će viša od neto snage i na nju, između ostalog, utječu radni uvjeti u okolini i razlike između motora. S obzirom na široki asortiman proizvoda u koje su ugrađeni naši motori, benzinski motor možda neće moći razviti nazivnu bruto snagu prilikom korištenja na određenom radnom stroju. Ova razlika nastaje zbog različitih čimbenika koji - bez ograničenja - uključuju različite dijelove motora (filter zraka, ispušna cijev, punjenje, hlađenje, rasplinjač, pumpa za gorivo, itd.), ograničenja u primjeni, uvjeti u radnom okruženju (temperatura, vlažnost zraka, nadmorska visina) i razlike između motora. Zbog ograničenja u proizvodnji i kapacitetima, tvrtka Briggs & Stratton može izvršiti zamjenu nekog motora više nominalne snage ovim motorom.

## Jamstvo

### Jamstvo za motor Briggs & Stratton®

Stupa na snagu u kolovozu 2022.

#### Ograničeno jamstvo

Tvrtka Briggs & Stratton jamči da će, u dolje navedenom jamstvenom razdoblju, besplatno popraviti ili zamijeniti bilo koji manjkavi dio uslijed nedostataka u materijalu i/ili izradi, novim, obnovljenim ili ponovno proizvedenim dijelom prema vlastitom nahođenju. Troškove prijevoza proizvoda poslanog na popravak ili zamjenu u smislu ovog jamstva mora snositi kupac. Ovo jamstvo vrijedi unutar dolje navedenog vremenskog razdoblja i pod dolje navedenim uvjetima. Za servis obuhvaćen jamstvom potražite najbliži ovlašten servis pomoću karte lokatora servisa na adresi BRIGGSandSTRATTON.COM. Kupac se mora obratiti ovlaštenom servisu te dostaviti proizvod radi pregleda i provjere.

**Ne postoje druga izričita jamstva. Implicirana jamstva, uključujući utrživost i prikladnost za određenu svrhu ograničena su na jednu godinu od kupnje ili u obimu dopuštenom zakonom. Isključena su sva ostala implicirana jamstva. Odgovornost za slučajnu ili posljedičnu štetu je isključena u opsegu dozvoljenom zakonom.** U nekim državama ili zemljama nije dozvoljeno ograničenje impliciranog jamstva, a neke države ili zemlje ne dozvoljavaju ograničenje ili izuzeće slučajnih ili posljedičnih šteta stoga se gornja ograničenja ili izuzeća možda neće odnositi na vas. Ovo jamstvo pruža vam određena zakonska prava, a ostala prava, koja možda imate, razlikuju se od države do države.

Uvjeti standardnog jamstva <sup>1, 2</sup>
<b>Vanguard®; komercijalna serija</b>
Privatna uporaba - 36 mjeseci
Komercijalna uporaba - 36 mjeseci
<b>Serija XR</b>
Privatna uporaba - 24 mjeseca
Komercijalna uporaba - 24 mjeseca
<b>Svi drugi motori Briggs &amp; Stratton koje karakterizira Dura-Boret košuljica od lijevanog željeza</b>
Privatna uporaba - 24 mjeseca
Komercijalna uporaba - 12 mjeseci
<b>Svi ostali motori</b>
Privatna uporaba - 24 mjeseca
Komercijalna uporaba - 3 mjeseca

<sup>1</sup> Ovo su naši standardni uvjeti jamstva, no ponekad može postojati obuhvaćenost jamstvom koja nije bila definirana u vrijeme objave ovog materijala. Popis trenutnih jamstvenih uvjeta potražite na adresi BRIGGSandSTRATTON.com ili kontaktirajte ovlaštenog servisera tvrtke Briggs & Stratton.

<sup>2</sup> Jamstvo ne vrijedi za motore na opremi koja se koristi kao primarni izvor napajanja umjesto mrežnog napajanja, za pričuvne generatore koji se upotrebljavaju za komercijalne svrhe, komercijalna vozila čija brzina prelazi 25 MPH (milja/h), kao ni za motore koji se koriste za natjecanja, u komercijalne svrhe ili za iznajmljivanje.

\* U Australiji – naši su proizvodi obuhvaćeni jamstvima koja ne mogu biti izuzeta iz australskog zakona o potrošačima. Imate pravo na zamjenu ili povrat novca u slučaju velikog kvara te na odštetu u slučaju bilo kakvog razumno predvidivog gubitka ili oštećenja. Također, imate pravo na popravak proizvoda ili zamjenu proizvoda ako njegova kvaliteta nije na prihvatljivoj razini i ako kvar nije velik. Usluge popravka obuhvaćene jamstvom ostvarit ćete u najbližem ovlaštenom serviseru kojega možete pronaći na mapi lokatora servisa na stranici BRIGGSandSTRATTON.COM, pozivom na broj 1300 274 447 ili slanjem poruke e-pošte na adresu salesenquiries@briggsandstratton.com.au, Briggs & Stratton Australia Pty Ltd, 1 Moorebank Avenue, Moorebank, NSW, Australia, 2170.

Jamstveno razdoblje počinje danom kupnje prvog korisnika ili komercijalnog krajnjeg korisnika i traje do isteka razdoblja naznačenog u gornjoj tablici. Korišten u ovoj polici, izraz „privatna uporaba“ označava uporabu od strane prvog vlasnika u vlastitom kućanstvu. „Komercijalna uporaba“ označava sve ostale uporabe, uključujući uporabu u komercijalne svrhe radi ostvarivanja zarade ili iznajmljivanja. Kada se motor jednom upotrijebi u komercijalne svrhe, za potrebe ovog jamstva smatra se motorom u komercijalnoj uporabi.

**Nije potrebna nikakva registracija jamstva kako biste ostvarili jamstvo za proizvode tvrtke Briggs & Stratton. Sačuvajte račun kao dokaz kupnje. Ako prilikom traženja usluge popravka u jamstvenom razdoblju ne predložite dokaz o datumu prve kupnje, jamstveno razdoblje utvrdit će se sukladno datumu proizvodnje.**

#### Više o vašem jamstvu

Ovo ograničeno jamstvo obuhvaća samo greške u materijalu i/ili izradi motora, a ne zamjenu ili naknadu opreme na koju je motor postavljen. Redovito održavanje, podešavanje, prilagodbe i normalno habanje nisu pokriveni ovim jamstvom. Također, jamstvo ne vrijedi ako je motor izmijenjen ili modificiran ili ako je serijski broj nečitak ili uklonjen. Ovim jamstvom nisu obuhvaćena oštećenja motora ili problemi u radu koje su izazvali:

1. uporaba dijelova koji nisu Briggs & Stratton
2. rad motora s nedovoljnom količinom ulja ili s onečišćenim uljem ili s uljem za podmazivanje nedovoljne gradacije;
3. Uporaba onečišćenog ili ustajalog goriva, mješavine benzina s više od 10% etanola ili upotreba alternativnih goriva kao što je ukapljeni naftni ili prirodni plin u motorima koji izvorno nisu projektirani/izrađeni za rad s takvim gorivima u Briggs & Stratton;
4. Nečistoća koja je prodrila u motor zbog nepropisnog održavanja ili ponovne montaže;
5. udarac oštrice noža kosilice u neki tvrdi predmet na travnjaku koji se kosi, olabavljeni ili nepravilno postavljeni adapteri noža, rotora ili drugih elemenata spojenih na radilicu ili prezategnutos klinastih remena;
6. Povezani dijelovi ili sklopovi poput spojki, prijenosa, upravljačkih dijelova uređaja itd., koje nije isporučila Briggs & Stratton;
7. pregrijavanje zbog nakupine pokošene trave, prljavštine i otpada, gnijezda glodavaca što može izazvati začepljenje rashladnih lamela ili područja zamašnjaka ili rad motora bez dovoljne ventilacije;
8. jaka vibracija zbog prekoračenja brzine, olabavljenih nosača motora, olabavljenih ili nebalansiranih noževa ili rotora ili nepropisnog načina povezivanja dijelova oprema na vratilo motora;
9. nepromjerena uporaba, pomanjkanje redovitog održavanja, otprema, rukovanje ili skladištenje opreme ili nepropisna montaža motora.

Popravak obuhvaćen jamstvom dostupan je samo u ovlaštenim servisima Briggs & Stratton. Pronađite najbližeg ovlaštenog servisera na mapi ovlaštenih servisera na BRIGGSandSTRATTON.COM ili nazovite 1-800-444-7774 (u SAD-u).

80114782 (izmjena A)

## Általános információk



Ez az útmutató biztonsági tudnivalókat tartalmaz a motorhoz kapcsolódó veszélyekre és kockázatokra, illetve ezek elkerülési módjára vonatkozóan. A motor helyes karbantartására és használatára vonatkozó utasításokat is tartalmaz. Fontos, hogy elolvassa, megértse és betartsa ezeket az utasításokat. **Őrizze meg ezt a kézikönyvet későbbi tájékozódás céljából.**

**MEGJEGYZÉS:** Az útmutatóban található számok és ábrák csak tájékoztató jellegűek, és eltérhetnek az Ön tulajdonában lévő modelltől. Azokat az ábrákat használja, amelyek összhangban vannak a motor konfigurációjával. Ha szükséges, forduljon egy hivatalos szervizképviselőhöz.

Jegyezze fel a vásárlás dátumát, a motor modelljét, típusát, burkolatát és a motor sorozatszámát a pótalkatrészekhez. Ezek a számok a motoron találhatóak. Lásd a **Funkciók és kezelőszervek** szakaszt.

Vásárlás dátuma:	
Motor modell/típus/trim	
Motor sorozatszám	

## Az európai iroda elérhetőségei

Ha az európai kibocsátásokkal kapcsolatos kérdései vannak, a következő címre írjon európai irodánknak:

Max-Born-Straße 2, 68519 Viernheim, Németország.

## Európai Unió (EU) V. (5) fázis: Szén-dioxid (CO2) értékek

Írjon be CO2-t a keresési ablakba a BriggsandStratton.com webhelyen a Briggs & Stratton EU típusjóváhagyás szerinti tanúsítványával rendelkező motorok szén-dioxidkibocsátási értékeinek megtalálásához.

## Újrahasznosítási információk



Minden karton, doboz, használt olaj és akkumulátor újrahasznosítható, a kormányzati rendelkezéseknek megfelelően.

## A kezelő biztonsága

### Biztonsági figyelmeztető jel és figyelmeztető szavak



A **!** biztonsági riasztási szimbólum az esetleges személyi sérüléssel járó veszélyekre vonatkozó biztonsági tudnivalók jelzésére szolgál. A figyelmeztető szó (**VESZÉLY**, **FIGYELMEZTETÉS** vagy **VIGYÁZAT**) használatos annak jelzésére, hogy mekkora a lehetséges sérülés valószínűsége és súlyossága. Ezenkívül veszélyjelző szimbólumot is alkalmazunk a veszély típusának bemutatására.

**VESZÉLY** olyan veszélyre utal, mely, ha nem sikerül elkerülni, **akkor halált, vagy súlyos sérülést okoz.**

**FIGYELMEZTETÉS** olyan veszélyre utal, mely, ha nem sikerül elkerülni, **akkor halált, vagy komoly sérülést okozhat.**

**VIGYÁZAT** olyan veszélyre utal, amely, ha nem sikerül elkerülni, **kisebbségi vagy közepes sérülést okozhat.**

**MEGJEGYZÉS** Fontosnak minősülő, de nem veszéllyel kapcsolatos információra utal.

## Figyelmeztető jelek és jelentésük

	Biztonsági információk a személysérülést okozni képes veszélyekkel kapcsolatban.		A készülék üzemeltetése vagy szervizelése előtt olvassa el és értse meg a használati útmutatót.
	Tűzveszély		Robbanásveszély
	Áramütés veszélye		Mérgező gázok veszélye

	Forró felület okozta veszély		Visszarúgás veszélye
	Amputáció veszélye – mozgó alkatrészek		Üzemanyagszint – maximális Ne töltse túl

## Biztonsági üzenetek



### FIGYELMEZTETÉS

A Briggs & Stratton motorjait nem a következő járművekhez tervezték és így nem is használhatók azok hajtására: szórakoztató kartok; gokartok; gyermek-, szabadidős vagy sportterepjárók (ATV-k); motorkerékpárok; légpárnás járművek; repülő járművek; vagy a Briggs & Stratton által nem szankcionált, versenyeken használt járművek. A versenytermékekre vonatkozó további tudnivalóért keresse fel a [www.briggsracing.com](http://www.briggsracing.com) webhelyet. Hasznójárművekben és side-by-side terepjárókban történő használat esetén forduljon a Briggs & Stratton motoralkalmazási központjához a következő telefonszámon: 1-866-927-3349. A motor helytelen használata súlyos sérüléseket vagy halálos balesetet okozhat.



### FIGYELMEZTETÉS

**Az üzemanyag és gőz gyúlékonyak és robbanásveszélyesek. A tűz vagy robbanás égési sérüléseket vagy halálos balesetet okozhat.**

Ha üzemanyagot tölt be

- Állítsa le a motort. A tanksapka eltávolítása előtt várjon legalább két (2) percig, mert így biztosítható, hogy a motor lehűt.
- Az üzemanyagtartályt a szabadban vagy olyan helyen tölts fel, ahol jó a légáramlás.
- Ne töltsön túl sok üzemanyagot a tartályba. Az üzemanyag tágulásának lehetővé tétele érdekében ne töltsön üzemanyagot a tartálynak alja fölé.
- Az üzemanyagot tartsa távol szikrától, nyílt lángtól, gyújtólángtól, hőtől és más gyújtóforrásoktól.
- Gyakran ellenőrizze az üzemanyag-vezetékeket, az üzemanyagtartályt, a tanksapkát és a csatlakozásokat repedések vagy szivárgások szempontjából. Cserélje ki a hibás alkatrészeket!
- Ha az üzemanyag kiömlik, várja meg, amíg felszárad, mielőtt beindítaná a motort.

A motor indításakor

- Győződjön meg arról, hogy a gyújtógyertya, a kipufogódob, a tanksapka és a légtisztító (ha vannak ilyenek), megfelelően vannak beszerelve.
- Ne indítsa be a motort, ha a gyújtógyertya nincs a helyén.
- Ha a motor el van árasztva, állítsa a szivatót (ha van ilyen) NYITVA vagy JÁRATÁS állásba. Fordítsa a gázkart (ha van ilyen) a GYORS állásba, és indítózzon, amíg a motor be nem indul.
- Ha a környezetben természetes vagy cseppfolyósított petróleumalapú gázszivárgás van, ne indítsa be a motort.
- Ne használjon nyomás alatt lévő indítófolyadékokat, mert a gőzök gyúlékonyak.

A berendezés működtetésekor

- Ne döntse meg a motort vagy a berendezést akkora szögben, hogy az üzemanyag kilöttyenjen.
- (Ha van ilyen) ne szívassa túl a karburátort a motor leállításához.
- Ne indítsa be vagy ne járassa a motort, ha a légtisztító (ha van ilyen) vagy a levegőszűrő (ha van ilyen) el lett távolítva.

Ha karbantartást végez

- Amikor az olajat kiürítik a felső olajbetöltő csőből, az üzemanyagtartálynak üresnek kell lennie. Ha nem üres, akkor üzemanyag-szivárgás léphet fel, ami tüzet vagy robbanást okozhat.
- Ha a karbantartás során meg kell dönteni az egységet, akkor gondoskodjon róla hogy az üzemanyagtartály - ha a motorra van rászerve - üres legyen, és hogy a gyújtógyertyás oldal felfelé legyen. Ha az üzemanyagtartály nem üres, akkor üzemanyag-szivárgás léphet fel, ami tüzet vagy robbanást okozhat.
- Gyakran ellenőrizze az üzemanyag-vezetékeket, az üzemanyagtartályt, a tanksapkát és a csatlakozásokat repedések vagy szivárgások szempontjából. Cserélje ki a hibás alkatrészeket!
- Ne állítsa át a szabályozórugót, csatlakozásokat vagy más alkatrészeket a motor sebességének növelése érdekében.
- Ne üsse a lendkereket kalapáccsal vagy nehéz tárggyal. Ez ugyanis a lendkerék meghibásodásához vezethet működés közben.



- A pótkatrészek legyenek ugyanolyan kivitelűek, mint az eredeti alkatrészek, valamint az eredeti alkatrészekkel megegyező helyzetben kell felszerelni azokat. Más alkatrészek pedig károsodást vagy sérülést okozhatnak.

#### Amikor áthelyezi a berendezést

- Gondoskodjon róla, hogy az üzemanyagtartály ÜRES, illetve hogy az üzemanyag-elzáró szelep ZÁRVA legyen.

#### Amikor úgy tárol üzemanyagot vagy a berendezést, hogy az üzemanyagtartályban üzemanyag van

- Tárolja távol az üzemanyagot vagy a berendezést a kályhaktól, tűzhelyektől, vízmelegítőktől vagy egyéb, gyújtólángokat, illetve más szikraforrásokat használó készülékektől, mert ezek robbanást okozhatnak.



**FIGYELMEZTETÉS**  
Az üzemanyag és gőzei gyúlékonyak és robbanásveszélyesek. A tűz vagy robbanás égési sérüléseket vagy halálos balesetet okozhat.

#### A motor beindulása szikrát okozhat, amely tüzet vagy robbanást idézhet elő.

- Ha a környezetben természetes vagy cseppfolyósított petróleumalapú gázszivárgás van, ne indítsa be a motort.
- Ne használjon nyomás alatt lévő indítófolyadékot, mert a gőzök gyúlékonyak.



**FIGYELMEZTETÉS**  
**MÉRGEZŐ GÁZ VESZÉLYE.** A motor kipufogógáza szén-monoxidot tartalmaz, amely mérgező gáz, és percek alatt halálos mérgezést okozhat. Még ha nem is érzi a kipufogógázt, akkor is ki lehet téve a veszélyes szén-monoxid gáz hatásának. Amennyiben a termék használata közben szédülést, rosszulértséget vagy gyengeséget tapasztal, **AZONNAL** menjen a friss levegőre. Forduljon orvoshoz. Előfordulhat, hogy szén-monoxid-mérgezése van.

- Az emberi tartózkodásra szolgáló terekben szén-monoxid gáz halmozódhat fel. A terméket **KIZÁRÓLAG** a szabadban, ablakoktól, ajtóktól és szellőzőnyílásoktól távol alkalmazza, hogy csökkentsse a szén-monoxid gáz felgyülemelésének veszélyét.
- Telepítsen elemmel működő szén-monoxid-érzékelőket vagy bedugható szén-monoxid-riasztókat tartalékelemmel a gyártó utasításai szerint. A füstjelzők nem érzékelik a szén-monoxid gázt.
- NE üzemeltesse a terméket lakóépületekben, garázsokban, pincékben, kúszótérben, fészerekben vagy más, részben zárt helyiségekben, még akkor sem, ha ventilátorokat vagy nyitott ajtókat és ablakokat használ a szellőztetéshez. A termék üzemeltetése után a szén-monoxid gyorsan felhalmozódhat ezeken a helyeken, és órákon át ott is maradhat.
- MINDIG a hátszél irányába, illetve úgy fordítsa a terméket, hogy ne áramoljon emberi tartózkodásra szolgáló hely felé a a motor kipufogógáza.



**FIGYELMEZTETÉS**  
A berántózsín gyors visszaengedése (visszarúgás) a kezét és a karját gyorsabban húzza a motor felé, mint ahogy azt el tudná engedni. Törött csontok, törések, zúzódások vagy ficamok lehetnek a következmények.

- A visszarúgás megakadályozása érdekében a motor beindításakor addig húzza lassan a berántózsínort, amíg ellenállást nem érez, majd gyorsan rántsa meg.
- Válasszon le, illetve szüntessen meg minden külső berendezést/motorterhelést a motor indítása előtt.
- A berendezés közvetlenül rákapcsolt alkatrészeit, így különösen a pengéket, járókereket, szíjtárcsákat és láncereket biztonságosan rögzíteni kell.



**FIGYELMEZTETÉS**  
A forgó alkatrészek érintkezésbe kerülhetnek vagy beakadhatnak a kezébe, lábába, hajába, ruhájába vagy a kiegészítőkbé. Baleseti csonkolás vagy súlyos zúzódás lehet ennek a következménye.

- A berendezést úgy működtesse, hogy a védőberendezések megfelelően legyenek felszerelve.
- Kezét és lábát tartsa távol a forgó alkatrészeketől.
- Vegye le az ékszerait, és ügyeljen arra, hogy amennyiben hosszú a haja, az legyen távol minden forgó résztől.
- Ne viseljen laza ruhát vagy olyan tárgyakat, amelyek beakadhatnak.



**FIGYELMEZTETÉS**  
Működés közben a motor és a kipufogódob felmelegszik. Ha megérinti a forró motort, égési sérülések keletkezhetnek.

#### Az olyan éghető anyagok, mint a levelek, fű és bozót, lángra lobbannhatnak.

- Mielőtt megérinti a motort vagy a kipufogódobot, állítsa le a motort, és várjon két (2) percig. Ügyeljen arra, hogy a motor és a kipufogódob biztonságosan megérinthető legyen.
- Távolítsa el a nyereséket a kipufogódobról és a motorról.

A California Public Resource Code 4442. szakasz megsértésének minősül, ha a motort erdős, bokros vagy füves területen használja vagy üzemelteti, kivéve, ha a kipufogó rendszer megfelelő állapotban lévő szikrafogóval van felszerelve a 4442. szakaszban meghatározottak szerint. Hasonló törvényeket más államok vagy szövetségi fennhatóság alá tartozó területek is előírhatnak; tekintse meg a szövetségi törvénykönyv 36 CFR-jének 261.52-es részét. Lépjen kapcsolatba az eredeti gyártóval, kiskereskedővel vagy viszonteladóval ezen motor kipufogórendszeréhez meghatározott szikrafogó beszerzése érdekében.



**FIGYELMEZTETÉS**  
A motorból véletlenül kipattanó szikra áramütést, tüzet vagy robbanást okozhat, és belegabalyodást, sérüléssel amputációt vagy zúzódást eredményezhet.

#### Mielőtt beállítást vagy javítást végezne:

- Válassza le az összes gyújtógyertya vezetéket és tartsa a gyújtógyertya vezetékeket távol a gyújtógyertyáktól.
- Válassza le az akkumulátorvezetéket az akkumulátor negatív pólusáról (csak az elektromos indítású motorok esetében).
- Kizárólag megfelelő szerszámokat használjon.

#### Ha a szikrát ellenőriz:

- Engedélyezett gyújtógyertyatesztet alkalmazzon.
- Ne ellenőrizze a szikrát, ha a gyújtógyertya ki van csavarva.



**FIGYELMEZTETÉS**  
Az üzemanyagok gőzei gyúlékonyak és robbanásveszélyesek. A tűz vagy robbanás égési sérüléseket vagy halálos balesetet okozhat.

#### Ha gázszagot érez

- Ne indítsa be a motort.
- Ne kapcsolja be az elektromos kapcsolókat.
- Ne használjon telefont a közelben.
- Ürítse ki a területet.
- Forduljon a gázszolgáltatóhoz vagy a tűzoltósághoz.

## Funkciók és kezelőszervek

### A motor kezelőszervei









Hasonlítsa össze az 1., 2., 3. és 4. ábrán látható feliratok betűit a motor kezelőszerveivel a következő lista szerint:

- Motor azonosítószámok **Modell – Típus – Kódszám**
- Gyújtógyertya
- Levegőszűrő (üzemanyagtartály nélkül)
- Levegőszűrő (üzemanyagtartállyal)
- történi olajellenőrzés
- Olajbetöltő
- Olajsűrő (ha be van szerelve)
- Olajleeresztő dugó
- Olajnyomás-érzékelő
- Ujjvédő
- Elektromos önindító
- Visszahúzásos indító (ha be van szerelve)
- Karburátor - karburátoros modellek
- Kipufogódob
- Üzemanyagszivattyú
- Indítókapcsoló<sup>1</sup>
- Gázadagoló<sup>1</sup>
- Szivatókar<sup>1</sup>

- S. Üzemanyagszűrő (ha be van szerelve)
- T. Üzemanyagtartály
- U. Üzemanyag-elzáró szelep (ha be van szerelve)<sup>1</sup>
- V. Leállítókapcsoló (ha be van szerelve)<sup>1</sup>
- W. Olajhűtő (ha be van szerelve)
- X. Üzemanyag-szivattyú modul - EFI modellek
- Y. Elektronikus vezérlőegység - EFI modellek
- Z. Üzemanyag befecskendező - EFI modellek

<sup>1</sup> Egyes motorok és gépek távvezérlő szervekkel rendelkeznek. A távvezérlő helyének és működésének ismertetését a berendezés útmutatójában találja.

## Motorvezérlési szimbólumok és jelentésük

 Motorfordulatszám – GYORS	 Motorfordulatszám – LASSÚ
 Motorfordulatszám – LEÁLLÍTÁS	 BE - KI
 Motorindítás Szívató ZÁRVA	 Motorindítás Szívató NYITVA
 Üzemanyagtartály-sapka Üzemanyag-elzáró csap NYITVA	 Üzemanyag-elzáró csap ZÁRVA

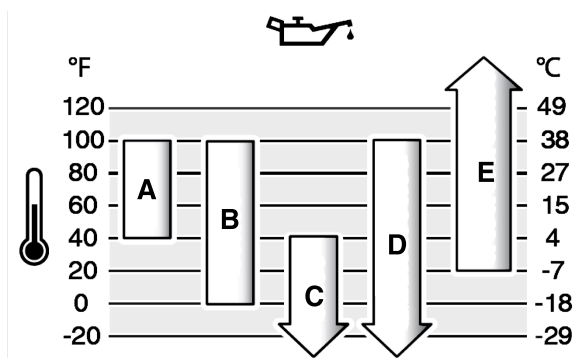
## Üzemeltetés

### Az olajra vonatkozó javaslatok

**Olajkapacitás:** Lásd a *Műszaki jellemzők* szakaszt.

A minél jobb teljesítmény érdekében használjon Briggs & Stratton® szavatossággal jóváhagyott olajokat. Más jó minőségű, detergenstartalmú olajok akkor használhatók, ha teljesítményszint-besorolásuk SF, SG, SH, SJ vagy magasabb. Ne használjon speciális adalékokat.

A diagram segítségével válassza ki a legjobb viszkozitást, ami a várható kültéri hőmérséklet-tartománynak megfelel. A legtöbb kültéri berendezés motorja 5W-30-as szintetikus olajjal üzemel megfelelően. A meleg hőmérsékleten üzemeltetett berendezésekhez a legjobb védelmet a Vanguard® 15W-50-es szintetikus olaj biztosítja.



A	SAE 30 – 40 °F (4 °C) alatt az SAE 30 használata nehéz indítást eredményez.
B	10W-30 – 80 °F (27 °C) felett a 10W-30 használata megnövekedett olajfogyasztást eredményezhet. Ellenőrizze az olajsíntet gyakran.
C	5W-30-as
D	Szintetikus 5W-30-as
E	Vanguard® Szintetikus 15W-50

## Ellenőrizze az olajsíntet

Mielőtt ellenőrizné vagy betöltené az olajat,

- Ellenőrizze, hogy szintben van-e a motor.

- Tisztítsa meg az olajbetöltő nyílás környékét a szennyeződéstől.
- Lásd a *Műszaki jellemzők* fejezetet az olajkapacitással kapcsolatban.

## MEGJEGYZÉS

A Briggs & Stratton vállalat a motort motorolaj nélkül szállítja. Előfordulhat, hogy a berendezés gyártói vagy a márkakereskedők motorolajat töltek a motorba. A motor első indítása előtt ellenőrizze, hogy az olajsíntet megfelelő-e. Töltsön bele olajat a kézikönyv utasításai szerint. Ha olaj nélkül indítja a motort, akkor a motor javíthatatlan károsodást szenved, és nem esik a garancia hatálya alá.

1. Húzza ki az olajsíntetjelző pálcát (A, 5 ábra), majd tisztítsa meg egy tiszta ruhával.
2. Dugja vissza és húzza meg az olajsíntetjelző pálcát (A, 5 ábra).
3. Vegye ki az olajsíntetjelző pálcát, és ellenőrizze az olajsíntet. Győződjön meg róla, hogy az olajsíntet a tele jelzés tetejéig ér (B, 5 ábra) az olajsíntetjelző pálcán.
4. Ha alacsony az olajsíntet, akkor lassan töltsön motorolajat a töltőnyílásba (C, 5 ábra). Ne öntsön be túlságosan sok olajat.
5. Várjon egy perccig, majd ismét ellenőrizze az olajsíntet. Ellenőrizze, hogy az olajsíntet megfelelő-e.
6. Dugja vissza és húzza meg az olajsíntetjelző pálcát (A, 5 ábra).

## Alacsony olajsíntet elleni védelem (ha be van szerelve)

Bizonyos motorokon alacsonyolajsínt-érzékelő található. Ha az olajsíntet alacsony, az érzékelő figyelmeztető jelzőfényt aktivál, vagy leállítja a motort. Állítsa le a motort, és hajtsa végre a következő lépéseket a motor indítása előtt.

- Ellenőrizze, hogy szintben van-e a motor.
- Ellenőrizze az olajsíntet. Lásd az *Olajsíntet ellenőrzése* c. fejezetet.
- Ha az olajsíntet alacsony, töltsön be megfelelő mennyiségű olajat. Indítsa be a motort, és ellenőrizze, hogy a figyelmeztető jelzőfény (ha van ilyen) kigyullad-e.
- Ha az olajsíntet nem alacsony, ne indítsa be a motort. Az olajnyomás probléma javításához forduljon a Briggs & Stratton valamelyik hivatalos szervizképviselőjéhez.

## Javasolt üzemanyagok

Az üzemanyagra vonatkozó követelmények:

- Tiszta, friss, ólommentes benzin.
- Legalább 87-es oktánszám/87 AKI (91 RON). Nagy magasságban való működtetés, lásd alább.
- Legfeljebb 10% etanolt (benzin-alkohol keveréket) tartalmazó benzin használható.

## MEGJEGYZÉS

Ne használjon nem jóváhagyott benzint, például E15-öt vagy E85-öt. Ne keverjen olajat a benzinnel, illetve ne módosítsa a motort, hogy más üzemanyagokkal is működhessen. A nem jóváhagyott üzemanyagok használata károsíthatja a motor alkatrészeit, amelyek nem javíthatók a garancia értelmében.

Keverjen alkoholmentes üzemanyagstabilizáló adalékot és etanolos kezelőt az üzemanyagba, hogy megóvja az üzemanyagrendszert a gumilerakódástól és a korróziótól. Lásd a *Tárolás* c. fejezetet. Az üzemanyagok nem egyformák. Ha gondjai adódnak az indítással vagy a teljesítménnyel kapcsolatban, váltson üzemanyag-beszállítót vagy üzemanyagmárkát. A motort benzines üzemeltetésre hitelesítették. A karburátoros motor károsanyag-kibocsátást szabályozó rendszere az EM (motormódosítások). Az elektronikus üzemanyag-befecskendezéses motorok károsanyag-kibocsátást szabályozó rendszerei az ECM (motorvezérlő-egység), az MFI (többfűvőkás üzemanyag-befecskendezés), a TBI (gázadagoló üzemanyag-befecskendezés) és ha fel van szerelve, egy O2S (oxigénérzékelő).

## Nagy magasságban

Az 1524 métert meghaladó magasságokban használt benzin oktánszáma legalább 85 oktán/85 AKI (89 RON) legyen.

Porlasztós motoroknál nagy magassághoz megfelelő beállítás szükséges a teljesítmény fenntartásához. Az e beállítás nélküli üzemeltetés csökkenő teljesítményt, növekvő üzemanyag-fogyasztást és megnövekedett károsanyag-kibocsátást eredményez. Forduljon egy Briggs & Stratton hivatalos szakkereskedéshez a magas tengersínt feletti magasságban történő használatához szükséges szabályozással kapcsolatban. Nem javasolt a motor üzemeltetése 2500 láb (762 méter) magasság alatt, a nagy magasságú használatához beállítva.

Az elektronikus üzemanyag-befecskendezéses (EFI) motoroknál szükségtelen a magas tengersínt feletti magasság számára megfelelő beállítás elvégzése.

## Az üzemanyag betöltése



### FIGYELMEZTETÉS

Az üzemanyag és gőzei gyúlékonyak és robbanásveszélyesek. A tűz vagy robbanás égési sérüléseket vagy halálos balesetet okozhat.

#### Ha üzemanyagot tölt be

- Állítsa le a motort. A tanksapka eltávolítása előtt várjon legalább két (2) percig, mert így biztosítható, hogy a motor lehűt.
  - Az üzemanyagtartályt a szabadban vagy olyan helyen töltsse fel, ahol jó a légáramlás.
  - Ne töltsön túl sok üzemanyagot a tartályba. Az üzemanyag tágulásának lehetővé tétele érdekében ne töltsön üzemanyagot a tartályok alja fölé.
  - Az üzemanyagot tartsa távol szikrától, nyílt lángtól, gyújtólángtól, hőtől és más gyújtóforrásoktól.
  - Gyakran ellenőrizze az üzemanyag-vezetékeket, az üzemanyagtartályt, a tanksapkát és a csatlakozásokat repedések vagy szivárgások szempontjából. Cserélje ki a hibás alkatrészeket!
  - Ha az üzemanyag kiömlik, várja meg, amíg felszárad, mielőtt beindítaná a motort.
1. Tisztítsa meg az üzemanyagtartály-sapka környékét a kosztól és a szennyeződésektől. Vegye le a tanksapkát.
  2. Töltsse fel az üzemanyagtartályt (A, 6 ábra) üzemanyaggal. Mivel az üzemanyag tágul, ne töltsön az üzemanyag-tartály nyakának alja (B) fölé.
  3. Tegye fel a tanksapkát.

## A motor indítása



### FIGYELMEZTETÉS

A motorból véletlenül kipattanó szikra áramütést, tüzet vagy robbanást okozhat, és belegabalyodást, sérüléssel amputációt vagy zúzódást eredményezhet.

#### Mielőtt beállítást vagy javítást végezne:

- Válassza le az összes gyújtógyertya vezetékét és tartsa a gyújtógyertya vezetékét távol a gyújtógyertyáktól.
- Válassza le az akkumulátorvezetéket az akkumulátor negatív pólusáról (csak az elektromos indítású motorok esetében).
- Kizárólag megfelelő szerszámokat használjon.

#### Ha a szikrát ellenőriz:

- Engedélyezett gyújtógyertyatesztet alkalmazzon.
- Ne ellenőrizze a szikrát, ha a gyújtógyertya ki van csavarva.



### FIGYELMEZTETÉS

A berántózsínór gyors visszahúzó (visszarúgás) a kezét és a karját gyorsabban húzza a motor felé, mint ahogy azt el tudná engedni. Törött csontok, törések, zúzódások vagy ficamok lehetnek a következmények.

- A visszahúzás megakadályozása érdekében a motor beindításakor addig húzza lassan a berántózsínór, amíg ellenállást nem érez, majd gyorsan rántsa meg.
- Válasszon le, illetve szüntessen meg minden külső berendezést/motorterhelést a motor indítása előtt.
- A berendezés közvetlenül rákapcsolt alkatrészeit, így különösen a pengéket, járókereket, szíjtárcsákat és lánckereket biztonságosan rögzíteni kell.



### FIGYELMEZTETÉS

**MÉRGEZŐ GÁZ VESZÉLYE.** A motor kipufogógáza szén-monoxidot tartalmaz, amely mérgező gáz, és percek alatt halálos mérgezést okozhat. Még ha nem is érzi a kipufogógázt, akkor is ki lehet téve a veszélyes szén-monoxid gáz hatásának. Amennyiben a termék használata közben szédülést, rosszulérletet vagy gyengeséget tapasztal, AZONNAL menjen a friss levegőre. Forduljon orvoshoz. Előfordulhat, hogy szén-monoxid-mérgezése van.

- Az emberi tartózkodásra szolgáló terekben szén-monoxid gáz halmozódhat fel. A terméket KIZÁRÓLAG a szabadban, ablakoktól, ajtóktól és szellőzőnyílásoktól távol alkalmazza, hogy csökkenthesse a szén-monoxid gáz felgyülemelésének veszélyét.
- Telepítsen elemmel működő szén-monoxid-érzékelőket vagy bedugható szén-monoxid-riasztókat tartalékelemmel a gyártó utasításai szerint. A füstjelzők nem érzékelik a szén-monoxid gázt.
- NE üzemeltesse a terméket lakóépületekben, garázsokban, pincékben, kúszóterekben, fészerekben vagy más, részben zárt helyiségekben, még akkor sem, ha ventilátorokat vagy nyitott ajtókat és ablakokat használ a szellőztetéshez. A termék üzemeltetése után a szén-monoxid gyorsan felhalmozódhat ezeken a helyeken, és órákon át ott is maradhat.
- MINDIG a hátszél irányába, illetve úgy fordítsa a terméket, hogy ne áramoljon emberi tartózkodásra szolgáló hely felé a a motor kipufogógáza.

### MEGJEGYZÉS

A Briggs & Stratton vállalat a motort motorolaj nélkül szállítja. Előfordulhat, hogy a berendezés gyártói vagy a márkakereskedők motorolajat töltek a motorba. A motor első indítása előtt ellenőrizze, hogy az olajsint megfelelő-e. Töltsön bele olajat a kézikönyv utasításai szerint. Ha olaj nélkül indítja a motort, akkor a motor javíthatatlan garosodást szenved, és nem esik a garancia hatálya alá.

**MEGJEGYZÉS:** Lehet, hogy az Ön berendezése távirányítású. A távoli kezelőszervek helyének és működésének ismertetését a berendezés kézikönyvében találja.

#### Indítórendszer-típusok

A motor indítása előtt meg kell állapítania a motor indítórendszerének típusát. A motorja az alábbi típusú rendszerek egyikével rendelkezik.

- **Elektronikus üzemanyag-befecskendezés (EFI) rendszer:** Nem rendelkezik kézi szivatóval vagy indító befecskendező szivattyúval.
- **Elektronikus üzemanyag-ellátó rendszer:** Elektronikus üzemanyag kezelő rendszer: ennek meghatározó eleme az Elektronikus vezérlőegység (ECU), mely a motort és a hőmérsékleti viszonyokat felügyeli. Nem rendelkezik kézi szivatóval vagy indító befecskendező szivattyúval.
- **Szivatórendszer:** Ez a típus szivatóval rendelkezik, amelyet hidegben kell használni. Egyes modellek különálló szivatókarral, míg mások szivató és gázadagoló kombinációval rendelkeznek. Ez a típus nem rendelkezik indító befecskendező szivattyúval.

### Elektronikus üzemanyag-befecskendezés (EFI) rendszer

1. Ellenőrizze a motor olajsintjét. Lásd az **Ellenőrizze az olajsintet** című részt.
2. Ellenőrizze a berendezés hajtásszabályozóit - ha be vannak szerelve -, hogy szét vannak-e kapcsolva.
3. Állítsa az üzemanyag-elzáró csapot (A, 7 ábra), ha van ilyen, a NYITVA állásba.
4. Nyomja a leállító kapcsolót (F, 7., 8. ábra), ha be van szerelve, a BE állásba.
5. Állítsa a gázadagolót (B, 8 ábra), ha be van szerelve, a GYORS állásba. A motort a GYORS állásban üzemeltesse.
6. **Visszahúzásos indítás, ha kulcsos kapcsolóval van ellátva:** Fordítsa a kulcsos kapcsolót (D, 7., 8. ábra) a BE állásba.
7. **Rugóerős indító, ha be van szerelve:** Szorosan tartsa a berántózsínór fogantyúját (E, 7., 8. ábra). Lassan addig húzza a berántózsínór fogantyúját, amíg ellenállást nem tapasztal, majd gyorsan húzza meg.



### FIGYELMEZTETÉS

A berántózsínór gyors visszahúzó (visszarúgás) gyorsabban rántja a kezét és karját a motorhoz, mint hogy el tudná eresztani. Ez csonttörést, roncsolást, zúzódást vagy ficamodást okozhat. A visszahúzás megakadályozása érdekében a motor beindításakor addig húzza lassan a berántózsínór, amíg ellenállást nem érez, majd gyorsan rántsa meg.

8. **Elektromos indítás, ha be van szerelve:** Fordítsa az elektromos indítás kapcsolóját (D, 7., 8. ábra) a BE vagy INDÍTÁS állásba.

**MEGJEGYZÉS** Az indító élettartamának meghosszabbítása érdekében rövid indítási ciklusokat alkalmazzon (maximális időtartam: öt másodperc). Az indítási ciklusok között tartson egy perc szünetet.

Ha a motor 3 vagy 4 indítás után sem indul be, akkor forduljon a helyi márkakereskedőhöz, vagy látogasson el a(z) [vanguardpower.com](http://vanguardpower.com) webhelyre, vagy hívja a(z) 1-800-999-9333 telefonszámot.

## Elektronikus üzemanyag-ellátó rendszer

1. Ellenőrizze a motor olajsztintjét. Lásd az **Ellenőrizze az olajsztintet** című részt.
2. Ellenőrizze a berendezés hajtásszabályozóit - ha be vannak szerelve -, hogy szét vannak-e kapcsolva.
3. Állítsa az üzemanyag-elzáró csapot (A, 7 ábra), ha van ilyen, a NYITVA állásba.
4. Nyomja a leállító kapcsolót (F, 7., 8. ábra), ha be van szerelve, a BE állásba.
5. Állítsa a gázadagoló (B, 8 ábra), ha be van szerelve, a GYORS állásba. A motort a GYORS állásban üzemeltesse.
6. **Visszahúzásos indítás, ha kulcsos kapcsolóval van ellátva:** Fordítsa a kulcsos kapcsolót (D, 7., 8. ábra) a BE állásba.
7. **Rugóerős indító, ha be van szerelve:** Szorosan tartsa a berántózsínór fogantyúját (E, 7., 8. ábra). Lassan addig húzza a berántózsínór fogantyúját, amíg ellenállást nem tapasztal, majd gyorsan húzza meg.

### FIGYELMEZTETÉS

A berántózsínór gyors visszahúzása (visszarúgás) gyorsabban rántja a kezét és karját a motorhoz, mint hogy el tudná eresztetni. Ez csonttörést, roncsolást, zúzódást vagy ficamodást okozhat. A visszarúgás megakadályozása érdekében a motor beindításakor addig húzza lassan a berántózsínórt, amíg ellenállást nem érez, majd gyorsan rántsa meg.

8. **Elektromos indítás, ha be van szerelve:** Fordítsa az elektromos indítás kapcsolóját (D, 7., 8. ábra) a BE vagy INDÍTÁS állásba.

**MEGJEGYZÉS** Az indító élettartamának meghosszabbítása érdekében rövid indítási ciklusokat alkalmazzon (maximális időtartam: öt másodperc). Az indítási ciklusok között tartson egy perc szünetet.

Ha a motor 3 vagy 4 indítás után sem indul be, akkor forduljon a helyi márkakereskedőhöz, vagy látogasson el a(z) [vanguardpower.com](http://vanguardpower.com) webhelyre, vagy hívja a(z) 1-800-999-9333 telefonszámot.

## Szívatórendszer

1. Ellenőrizze a motor olajsztintjét. Lásd **Az olaj ellenőrzése és beöntése** című részt.
2. Ellenőrizze a berendezés hajtásszabályozóit - ha be vannak szerelve -, hogy szét vannak-e kapcsolva.
3. Állítsa az üzemanyag-elzáró csapot (A, 7 ábra), ha van ilyen, a NYITVA állásba.
4. Nyomja a leállító kapcsolót (F, 7., 8. ábra), ha be van szerelve, a BE állásba.
5. Állítsa a gázadagoló kart (B, 7 ábra), ha be van szerelve, a GYORS állásba. A motort a GYORS állásban üzemeltesse.
6. Állítsa a szívatókart (C, 9., 10. ábra) a ZÁRVA állásba.

**MEGJEGYZÉS:** Meleg motor indításához általában nincs szükség szívatóra.

7. **Visszahúzásos indítás, ha kulcsos kapcsolóval van ellátva:** Fordítsa a kulcsos kapcsolót (D, 7., 8. ábra) a BE állásba.
8. **Rugóerős indító, ha be van szerelve:** Szorosan tartsa a berántózsínór fogantyúját (E, 7., 8. ábra). Lassan addig húzza az indítózsínór fogantyúját (E), amíg ellenállást nem tapasztal, majd gyorsan húzza meg.

### FIGYELMEZTETÉS

A berántózsínór gyors visszahúzása (visszarúgás) gyorsabban rántja a kezét és karját a motorhoz, mint hogy el tudná eresztetni. Ez csonttörést, roncsolást, zúzódást vagy ficamodást okozhat. A visszarúgás megakadályozása érdekében a motor beindításakor addig húzza lassan a berántózsínórt, amíg ellenállást nem érez, majd gyorsan rántsa meg.

9. **Elektromos indítás, ha be van szerelve:** Fordítsa a kulcsos kapcsolót (D, 7., 8. ábra) a BE vagy INDÍTÁS állásba.

### MEGJEGYZÉS

Az indító élettartamának meghosszabbítása érdekében rövid indítási ciklusokat alkalmazzon (maximális időtartam: öt másodperc). Az indítási ciklusok között tartson egy perc szünetet.

10. Amint a motor felmelegedett, állítsa a szívatókart (C, 9., 10. ábra) a NYITVA állásba.

**MEGJEGYZÉS:** Ha a motor 2-3 indítás után sem indul be, akkor forduljon a helyi márkakereskedőhöz, látogasson el a(z) [vanguardpower.com](http://vanguardpower.com) webhelyre, vagy hívja a(z) 1-800-999-9333 telefonszámot.

## Állítsa le a motort

### FIGYELMEZTETÉS

**Az üzemanyag és gőzei gyúlékonyak és robbanásveszélyesek. A tűz vagy robbanás égési sérüléseket vagy halálos balesetet okozhat.**

- (Ha van ilyen) ne szívassa túl a karburátort a motor leállításához.

1. **Leállító kapcsoló, ha van ilyen:** Állítsa KI állásba a leállító kapcsolót (F, 11. ábra).
2. **Kulcsos kapcsoló, ha be van szerelve:** A gázadagoló kar, ha be van szerelve, LASSÚ állásában fordítsa a kulcsos kapcsolót (D, 11. ábra) a KI állásba. Vegye ki a kulcsot, és tartsa a gyermekektől elzárva, biztonságos helyen.
3. Miután leállt a motor, az üzemanyag-elzáró csapot (A, 11 ábra), ha van ilyen, fordítsa ZÁRVA állásba.

## Karbantartás Karbantartási információk

### FIGYELMEZTETÉS

**Az üzemanyag és gőzei gyúlékonyak és robbanásveszélyesek. A tűz vagy robbanás égési sérüléseket vagy halálos balesetet okozhat.**

Ha a karbantartás során meg kell dönteni az egységet, akkor gondoskodjon róla hogy az üzemanyagtartály - ha a motorra van rászerve - üres legyen, és hogy a gyújtógyertyás oldal felfelé legyen. Ha az üzemanyagtartály nem üres, üzemanyag-szivárgás léphet fel, ami tüzet vagy robbanást okozhat. Ha a motort más irányba billenti, akkor az nem indul be könnyen a levegőszűrő vagy a gyújtógyertya olaj vagy üzemanyag okozta szennyeződése miatt.

### FIGYELMEZTETÉS

**A motorból véletlenül kipattanó szikra áramütést, tüzet vagy robbanást okozhat, és belegabalyodást, sérüléssel amputációt vagy zúzódást eredményezhet.**

**Mielőtt beállítást vagy javítást végezne:**

- Válassza le az összes gyújtógyertya vezetéket és tartsa a gyújtógyertya vezetékeket távol a gyújtógyertyáktól.
- Válassza le az akkumulátorvezetéket az akkumulátor negatív pólusáról (csak az elektromos indítású motorok esetében).
- Kizárólag megfelelő szerszámokat használjon.

**Ha a szikrát ellenőriz:**

- Engedélyezett gyújtógyertyatesztet alkalmazzon.
- Ne ellenőrizze a szikrát, ha a gyújtógyertya ki van csavarva.

### FIGYELMEZTETÉS

A pótalkatrészek legyenek ugyanolyan kivitelűek, mint az eredeti alkatrészek, valamint az eredeti alkatrészekkel megegyező helyzetben kell felszerelni azokat. Más alkatrészek pedig károsodást vagy sérülést okozhatnak.

### MEGJEGYZÉS

Minden alkatrésznek, melyet ebbe a motorba építettek, a helyén kell maradnia a megfelelő működés érdekében.

A motor és motoralkatrészek minden karbantartását és szervizelését a Briggs & Stratton hivatalos szervizképviselőjénél végeztesse.

## A károsanyag-kibocsátás szabályozás szervizelése

**A károsanyag-kibocsátást szabályozó eszközök és rendszerek karbantartását, cseréjét vagy javítását elvégezheti bármely, a nem közutakon használt motorok javításával foglalkozó vállalat vagy szerviztechnikus.** Azonban a károsanyag-kibocsátás szabályozásának „ingyenes” javításához a munkát a gyár hivatalos szakszervizével kell elvégeztetni. Lásd a károsanyag-kibocsátási nyilatkozatokat.

## Karbantartás ütemezése

### 8 óránként vagy naponta

- Ellenőrizze a motorolajsztintet.
- Tisztítsa meg a kipufogódob és a kezelőszervek körüli területet.

### 100 óránként vagy évente



<ul style="list-style-type: none"> <li>• Cserélje ki a gyertyákat.</li> <li>• Cserélje le a motorolajat.</li> <li>• Cserélje ki az olajsűrőt (ha be van szerelve).</li> <li>• A levegősűrő karbantartása <sup>1</sup>.</li> <li>• Tisztítsa ki az előszűrőt (ha be van szerelve) <sup>1</sup>.</li> <li>• Végezze el a kipufogórendszer szervizelését.</li> </ul>
<b>250 óránként vagy évente</b>
<ul style="list-style-type: none"> <li>• Ellenőrizze a szelephézagot. Szükség esetén állítsa be.</li> </ul>
<b>400 óránként vagy évente</b>
<ul style="list-style-type: none"> <li>• Cserélje ki a levegősűrőt.</li> <li>• Cserélje ki az üzemanyagsűrőt.</li> <li>• Szervizelje a léghűtési rendszert <sup>1</sup>.</li> <li>• Tisztítsa meg az olajhűtő bordáit <sup>1</sup>.</li> </ul>

<sup>1</sup> Poros körülmények között, vagy ha sok részecske van a levegőben, gyakrabban tisztítsa.

## Elektronikus üzemanyag-befecskendezés (EFI) rendszer

Az EFI rendszer ellenőrzi a motor hőmérsékletét, a motor fordulatszámát és az akkumulátor feszültségét a motor beindításának megkönnyítése és a bemelegedés figyelemmel kísérése céljából. A rendszerben nincsen beállítási lehetőség. Indítási vagy üzemeltetési problémák esetén forduljon az egyik hivatalos Briggs & Stratton szervizképviselőhöz.

**MEGJEGYZÉS** Ügyeljen az alábbi lépésekben foglalt betartására, ellenkező esetben az EFI rendszer károsodhat.

- NE indítsa be a motort, ha az akkumulátorkábel csatlakozásai lazák.
- Fordítsa KI állásba az indítókulcsot az akkumulátor leválasztása, eltávolítása és/vagy beszerelése előtt.
- NE használjon akkumulátortöltőt a motor beindítására.
- NE válassza le az akkumulátor kábeleit a motor működése közben.
- Az akkumulátorkábelek leválasztásakor először a pozitív (+), majd a negatív (-) kábelt csatlakoztassa az akkumulátorhoz.
- Az akkumulátor töltésekor fordítsa a KI állásba a gyújtáskapcsolót, és válassza le az akkumulátor negatív (-) kábelét az akkumulátorról.
- NE fecskendezzen vizet közvetlenül az elektronikus vezérlőegységre.

## Elektronikus üzemanyag-ellátó rendszer

Az elektronikus üzemanyag-ellátó rendszer ellenőrzi a motor hőmérsékletét, a motor fordulatszámát és az akkumulátor feszültségét a szivató beállításához a motor beindítása és a bemelegedés során. A rendszerben nincsen beállítási lehetőség. Indítási vagy üzemeltetési problémák esetén forduljon hivatalos Briggs & Stratton hivatalos szervizképviselőhöz.

**MEGJEGYZÉS** Ügyeljen ezen szabályok betartására, ellenkező esetben az elektronikus üzemanyag-ellátó rendszer károsodhat.

- NE indítsa be a motort, ha az akkumulátorkábel csatlakozásai lazák.
- Mielőtt csatlakoztatná a bikakábelt, illetve leválasztaná vagy újból csatlakoztatná az akkumulátorkábeleket, fordítsa a gyújtáskapcsolót KI állásba. Az akkumulátor töltése közben a gyújtáskapcsolónak a KI állásban kell lennie.
- Amikor az akkumulátorkábeleket leválasztja az akkumulátorról, először a negatív (-), majd a pozitív (+) kábelt válassza le az akkumulátorról. Amikor az akkumulátorkábeleket csatlakoztatja az akkumulátorhoz, először a pozitív (+), majd a negatív (-) kábelt csatlakoztassa az akkumulátorhoz.
- NE használjon akkumulátortöltőt a motor beindítására.
- NE válassza le az akkumulátor kábeleit a motor működése közben.
- NE fecskendezzen vizet közvetlenül az elektronikus vezérlőegységre.

## Porlasztó és motor fordulatszám

Ne módosítsa a karburátort, a szabályozórugókat a rudazatokat vagy más alkatrészeket a motor fordulatszámának megváltoztatása érdekében. Ha bármilyen beállítás szükséges, szervizelés céljából forduljon egy Briggs & Stratton hivatalos szervizképviselőhöz.

### MEGJEGYZÉS

A berendezés gyártója megadja a motor maximális fordulatszámát a berendezésre történő telepítéskor. Ne lépje túl ezt a fordulatszámot. Ha nem biztos a berendezés maximális fordulatszámában, vagy hogy gyárilag milyen fordulatszámra lett a motor beállítva, támogatásért forduljon a Briggs & Stratton valamelyik hivatalos szakszervizéhez. A berendezés biztonságos és megfelelő működése érdekében kizárólag szakképzett szerviztechnikus végezheti a motor fordulatszámának beállítását.

## A gyújtógyertya szervizelése

Hézagmérővel (B) ellenőrizze a gyertyahézagot (A, 12 ábra). Ha szükséges, akkor állítson a gyertyahézagon. Szerelje be, és húzza meg az ajánlott nyomatékkal a gyújtógyertyát. A hézagra és a nyomatéokra vonatkozóan lásd a **Műszaki adatok** c. szakaszt.

## A kipufogórendszer szervizelése



### FIGYELMEZTETÉS

**Működés közben a motor és a kipufogódob felmelegszik. Ha megérinti a forró motort, égési sérülések keletkezhetnek.**

**Az olyan éghető anyagok, mint a levelek, fű és bozót, lángra lobbánhatnak.**

- Mielőtt megérinti a motort vagy a kipufogódobot, állítsa le a motort, és várjon két (2) percig. Ügyeljen arra, hogy a motor és a kipufogódob biztonságosan megérinthető legyen.
- Távolítsa el a nyereséket a kipufogódobról és a motorról.

A California Public Resource Code 4442. szakasz megsértésének minősül, ha a motort erdős, bokros vagy füves területen használja vagy üzemelteti, kivéve, ha a kipufogó rendszer megfelelő állapotban lévő szikrafogóval van felszerelve a 4442. szakaszban meghatározottak szerint. Hasonló törvényeket más államok vagy szövetségi fennhatóság alá tartozó területek is előírhatnak; tekintse meg a szövetségi törvénykönyv 36 CFR-jének 261.52-es részét. Lépjen kapcsolatba az eredeti gyártóval, kiskereskedővel vagy viszonteladóval ezen motor kipufogórendszeréhez meghatározott szikrafogó beszerzése érdekében.

Távolítsa el a nyereséket a kipufogódob és a henger környékéről. Ellenőrizze a kipufogódobot, hogy nincsenek-e rajta repedések, korróziós károsodások vagy más sérülések. Szerelje le a szikrafogót, ha be van szerelve, és ellenőrizze a sérüléseit vagy a széntől származó eltömődését. Ha sérülést talál, akkor a berendezés üzemeltetése előtt szerelje be a pótalkatrészeket.



### FIGYELMEZTETÉS

A pótalkatrészek legyenek ugyanolyan kivitelűek, mint az eredeti alkatrészek, valamint az eredeti alkatrészekkel megegyező helyzetben kell felszerelni azokat. Más alkatrészek pedig károsodást vagy sérülést okozhatnak.

## Cserélje ki a motorolajat



### FIGYELMEZTETÉS

**Az üzemanyag és gőzei gyúlékonyak és robbanásveszélyesek. A tűz vagy robbanás égési sérüléseket vagy halálos balesetet okozhat.**

**Működés közben a motor és a kipufogódob felmelegszik. Ha megérinti a forró motort, égési sérülések keletkezhetnek.**

- Amikor az olajat kiürítik a felső olajbetöltő csőből, az üzemanyagtartálynak üresnek kell lennie. Ha nem üres, akkor üzemanyag-szivárgás léphet fel, ami tüzet vagy robbanást okozhat.
- Mielőtt megérinti a motort vagy a kipufogódobot, állítsa le a motort, és várjon két (2) percig. Ügyeljen arra, hogy a motor és a kipufogódob biztonságosan megérinthető legyen.

A használt olaj veszélyes hulladék, gondoskodni kell a megfelelő ártalmatlanításáról. Ne dobja ki a háztartási szeméttel együtt. Keresse fel a helyi önkormányzatot, szervizközpontot vagy szakkereskedést a biztonságos gyűjtő-/újrahasznosító telepekre vonatkozó információkért.

## Olaj eltávolítása

1. KIKAPCSOLT, de még meleg motornál válassza le a gyújtógyertya kábel csatlakozóit (D, 13 ábra), és tartsa távol őket a gyújtógyertyá(k)tól (E).
2. Húzza ki az olajsintjelző pálcat (A, 14., 15. ábra).
3. Csavarja ki az olajleeresztő csavart (F, 16., 17. ábra). Az olajat egy engedélyezett tartályba engedje le.
4. Szerelje vissza és húzza meg az olajleeresztő csavart (F, 16., 17. ábra).

## Cserélje ki az olajsűrőt, ha be van szerelve

1. Eressze le az olajat a motorból. Lásd az **Olaj eltávolítása** c. fejezetet.
2. Távolítsa el az olajsűrőt (G, 18., 19. ábra), majd ártalmatlanítsa megfelelő módon.
3. Az új olajsűrő felhelyezése előtt kenje be az olajsűrő tömítőgyűrűjét egy kevés friss, tiszta olajjal.
4. Kézzel helyezze be az olajsűrőt, amíg a tömítőgyűrű el nem éri a szűrőadapert, majd 1/2-3/4 fordulattal húzza meg az olajsűrőt.
5. Öntse be az olajat. Lásd az **Olaj betöltése** c. fejezetet.



- Indítsa be és járassa a motort. Amint a motor felmelegszik, ellenőrizze, nem szívárog-e az olaj.
- Állítsa le a motort. Győződjön meg róla, hogy az olajsínt a tele jelzés tetejéig ér az olajsíntjelző pálcán. Lásd az **Olaj betöltése** c. fejezetet.

## Olaj betöltése

- Ellenőrizze, hogy szintben van-e a motor.
  - Tisztítsa meg az olajbetöltő nyílás környékét a nyesedéktől.
  - Lásd a **Műszaki jellemzők** fejezetet az olajkapacitással kapcsolatban.
- Húzza ki az olajsíntjelző pálcát (A, 20., 21. ábra). Törölje le az olajat a szintjelző pálcáról egy tiszta kendővel.
  - Lassan töltsön olajat a motor olajbetöltő nyílásába (C, 20., 21. ábra) **Ne töltse túl.** Várjon egy percet, majd ellenőrizze újra az olajsíntet.
  - Dugja vissza és húzza meg az olajsíntjelző pálcát (A, 20., 21. ábra).
  - Vegye ki az olajsíntjelző pálcát, és ellenőrizze az olajsíntet. Az olajsíntnek az olajsíntjelző pálcán a tele jelzés tetejéig (B, 20., 21. ábra) kell érnie.
  - Dugja vissza és húzza meg az olajsíntjelző pálcát (A, 20., 21. ábra).
  - Csatlakoztassa a gyújtógyertya vezetékét ill. vezetékeit (D, 20. ábra) a gyújtógyertyá(k)hoz.

## A légszűrő karbantartása



### FIGYELMEZTETÉS

Az üzemanyagok gőzei gyúlékonyak és robbanásveszélyesek. A tűz vagy robbanás égési sérüléseket vagy halálos balesetet okozhat.

- Ne indítsa vagy járassa a motort, ha a légtisztító szerelvény (ha van ilyen) vagy a levegőszűrő (ha van ilyen) el lett távolítva.

### MEGJEGYZÉS

A szűrő tisztításához ne alkalmazzon sűrített levegőt vagy oldószereket. A sűrített levegő a szűrő meghibásodását, míg az oldószerek a szűrő feloldását okozhatják.

A karbantartási követelményekkel kapcsolatosan lásd a **Karbantartás ütemezése** c. fejezetet.

Egyes modellek még egy opcionális, mosható és újrafelhasználható előszűrővel is el vannak látva. Hasonlítsa össze a jelen útmutatóban található ábrákat az Ön motorjára szerelt típusal.

- Üzemanyagtartály nélküli modellek:** Nyissa ki a rögzítő(ke)t (A, 22 ábra), majd vegye le a fedelet (B).
- Üzemanyagtartályal rendelkező modellek:** Távolítsa el a csavar(oka)t (C, 23. ábra), és a fedelet (D).
- Távolítsa el az anyát (D, 22., 23. ábra) és a rögzítőt (E).
- Vegye ki a levegőszűrőt (F, 22., 23. ábra).
- Vegye ki az előszűrőt (G, 22., 23. ábra), ha be van szerelve, a levegőszűrőből (F).
- A nyesedék fellazításához óvatosan ütögesse egy kemény felülethez a szűrőt (F, 22., 23. ábra). Ha a levegőszűrő piszkos, cserélje ki egy újra.
- Mossa ki az előszűrőt (G, 22., 23. ábra), ha be van szerelve, folyékony mosogatószeres vízben. Hagyja az előtétiszűrőt a levegőn teljesen megszáradni. **NE** olajozza meg az előszűrőt.
- Szerelje vissza a száraz előszűrőt (G, 22., 23. ábra), ha be van szerelve, a levegőszűrőbe (F).
- Szerelje be a levegőszűrőt (F, 22., 23. ábra), majd rögzítse a rögzítővel (E) és az anyával (D).
- Tegye rá a fedelet (B, 22., 23. ábra).

## Az üzemanyag-ellátó rendszer szervizelése



### FIGYELMEZTETÉS

Az üzemanyag és gőzei gyúlékonyak és robbanásveszélyesek. A tűz vagy robbanás égési sérüléseket vagy halálos balesetet okozhat.

- Az üzemanyagot tartsa távol szikrától, nyílt lángtól, gyújtólángtól, hőtől és más gyújtóforrásoktól.
- Gyakran ellenőrizze az üzemanyag-vezetékeket, az üzemanyagtartályt, a tanksapkát és a csatlakozásokat repedések vagy szivárgások szempontjából. Cserélje ki a hibás alkatrészeket!
- Ha az üzemanyag kiömlik, várja meg, amíg felszárad, mielőtt beindítaná a motort.

## Üzemanyagszűrő, ha van

- Az üzemanyagszűrő cseréje előtt (A, ábra 24.) engedje le az üzemanyagtartályból az üzemanyagot, vagy zárja el az üzemanyag-elzáró szelepet. Ha az üzemanyagot nem eresztik le, az üzemanyag kifolyhat, és tüzet vagy robbanást okozhat.
- Használjon fogót a kapcsokon (C) található fűlek (B, ábra 24.) összeszorítására, majd csúsztassa az üzemanyagszűrőtől (A) távolabbra a kapcsokat.
- Csavarja és húzza el az üzemanyag-vezetékeket (D, ábra 24.) az üzemanyagszűrőtől.
- Ellenőrizze az üzemanyag-vezetékeket (D, ábra 24.) repedések vagy szivárgások szempontjából. Szükség esetén cserélje ki az üzemanyag-vezetékeket.
- Cserélje ki az üzemanyagszűrőt (A, ábra 24.).
- Rögzítse az üzemanyagvezetékeket (D, ábra 24.) kapcsokkal (C).

## A hűtőrendszer szervizelése



### FIGYELMEZTETÉS

Működés közben a motor és a kipufogódob felmelegszik. Ha megérinti a forró motort, égési sérülések keletkezhetnek.

Az olyan gyúlékony nyesedékek, mint a levelek, fű és bozót lángra lobbanhatnak.

- Mielőtt megérinti a motort vagy a kipufogódobot, állítsa le a motort, és várjon két (2) percig. Ügyeljen arra, hogy a motor és a kipufogódob biztonságosan megérinthető legyen.
- Távolítsa el a nyesedéket a kipufogódobról és a motorról.

### MEGJEGYZÉS

Vízet ne használjon a motor tisztításához. A víz szennyezheti az üzemanyag-ellátó rendszert. Kéfé vagy száraz rongyot használjon a motor tisztításához.

Ez egy léghűtéses motor. A szennyeződés vagy nyesedék akadályozhatja a légáramlást, és a motor túlmelegedését okozhatja, ami gyengébb teljesítményt és rövidebb motor-élettartamot eredményezhet.

- Kéfé vagy száraz rongyot használjon a törmelék eltávolítására a légbeszívó nyílás rácsáról.
- Tartsa tisztán a rudazatot, a rugókat és a kezelőszerveket.
- A kipufogódob - ha van ilyen - körüli és mögötti területet tartsa tisztán a gyúlékony nyesedéktől.
- Gondoskodjon róla, hogy az olajhűtő bordái - ha vannak ilyenek - tiszták legyenek.

Egy idő elteltével a henger hűtőbordáin nyesedék gyűlhet össze, ami a motor túlmelegedését okozhatja. Ez a nem kívánt anyag nem tisztítható ki a motor részleges szétszerelése nélkül. A Briggs & Stratton hivatalos szakszervizével ellenőriztesse és tisztítsa meg a léghűtő rendszert a **Karbantartás ütemezése** c. fejezetben javasoltaknak megfelelően.

## Tárolás

### Üzemanyagrendszer

Lásd a(z) 25. ábrát.



### FIGYELMEZTETÉS

Az üzemanyag és gőzei gyúlékonyak és robbanásveszélyesek. A tűz vagy robbanás égési sérüléseket vagy halálos balesetet okozhat.

### Az üzemanyag tárolása

- Tárolja távol az üzemanyagot vagy a berendezést a kályhától, fűzhelyektől, vízmelegítőktől vagy egyéb, gyújtólángokat, illetve más szikraforrásokat használó készülékektől, mert ezek robbanást okozhatnak.

A motort vízszintes helyzetben tárolja (normál üzemi pozícióban). Töltse fel az üzemanyagtartályt (A, 25. ábra) üzemanyaggal. Az üzemanyag tágulása miatt ne töltsön üzemanyagot az üzemanyagtartály betöltőnyílásának nyaka (B) fölé.

Az üzemanyag állottá válhat, ha 30 napnál hosszabb ideig tárolóedényben tartják. Az üzemanyag romlásának megelőzése és az üzemanyag frissen tartása érdekében alkoholmentes üzemanyag-stabilizáló adalék és etanolos kezelés használata ajánlott az üzemanyag-tároló tartályban.

Amikor a tartályba üzemanyagot tölt, adjon hozzá alkoholmentes üzemanyag-stabilizáló adalékot a gyártó utasításai szerint. Ha a motorban lévő benzint nem kezelték üzemanyag-stabilizáló adalékkal, akkor azt egy jóváhagyott tartályba kell leengedni. Addig üzemeltesse a motort, amíg ki nem fogy az üzemanyag.

## Motorolaj

Amíg még meleg a motor, cseréljen motorolajat. Lásd: **A motorolaj cseréje** szakaszt.

## Hibaelhárítás

### Segítségnyújtás

Segítségért forduljon a helyi márkakereskedőhöz, vagy keresse fel a(z) **BRIGGSandSTRATTON.COM** webhelyet, vagy hívja a(z) **1-800-444-7774** telefonszámot (az Egyesült Államokban).

## Műszaki adatok

### Műszaki jellemzők és szervizalkatrészek

MODELLEK: 290000, 300000	
Lökettérfogat	29.23 köbhüvelyk (479 cc)
Furat	2.677 hüvelyk (68 mm)
Lökét	2.598 hüvelyk (66 mm)
Olajkapacitás	46 - 48 uncia (1,36 - 1,42 l)
Gyertyahézag	.030 hüvelyk (.76 mm)
Gyújtógyertya-nyomaték	180 fonthüvelyk (20 Nm)
Forgórész-légrés - porlasztós modellek	.008 - .012 hüvelyk (.20 - .30 mm)
Szívószelephézag	.004 - .006 hüvelyk (.10 - .15 mm)
Kipufogószelep-hézag	.004 - .006 hüvelyk (.10 - .15 mm)

MODELL:350000	
Lökettérfogat	34.78 köbhüvelyk (570 cc)
Furat	2.835 hüvelyk (72 mm)
Lökét	2.756 hüvelyk (70 mm)
Olajkapacitás	46 - 48 uncia (1,36 - 1,42 l)
Gyertyahézag	.030 hüvelyk (.76 mm)
Gyújtógyertya-nyomaték	180 fonthüvelyk (20 Nm)
Forgórész-légrés - porlasztós modellek	.008 - .012 hüvelyk (.20 - .30 mm)
Szívószelephézag	.004 - .006 hüvelyk (.10 - .15 mm)
Kipufogószelep-hézag	.004 - .006 hüvelyk (.10 - .15 mm)

MODELL:380000	
Lökettérfogat	38.26 köbhüvelyk (627 cc)
Furat	2.972 hüvelyk (75,5 mm)
Lökét	2.756 hüvelyk (70 mm)
Olajkapacitás	46 - 48 uncia (1,36 - 1,42 l)
Gyertyahézag	.030 hüvelyk (.76 mm)
Gyújtógyertya-nyomaték	180 fonthüvelyk (20 Nm)
Forgórész légrés - karburátoros modellek	.008 - .012 hüvelyk (.20 - .30 mm)
Szívószelephézag	.004 - .006 hüvelyk (.10 - .15 mm)
Kipufogószelep-hézag	.004 - .006 hüvelyk (.10 - .15 mm)

A motorteljesítmény 3,5%-kal csökken minden 1000 láb (300 méter) tengerszint feletti magasságnövekedés esetén, és 1%-kal minden 77 °F (25 °C) feletti 10 °F (5,6 °C) hőmérséklet-emelkedés esetén. A motor maximum 15°-os lejtőn működik kielégítően. A lejtőkön megengedett biztonságos működési határértékeket illetően lásd a berendezés használati útmutatóját.

MODELLEK: 290000, 300000, 350000, 380000	
Pótalkatrész	Cikkszám
Levegőszűrő (üzemanyagtartállyal, 23. ábra)	383857
Levegőszűrő (kivéve 380000-es modellt, 22. ábra)	394018
Levegőszűrő (380000 modellt, 22. ábra)	692519
Levegőszűrő, előszűrő (üzemanyagtartállyal, 23. ábra)	271794
Levegőszűrő, előszűrő (kivéve 380000-es modellt, 22. ábra)	272490
Levegőszűrő, előszűrő (380000-es modellt, 22. ábra)	692520
Olaj - SAE 30	100028
Olajszűrő	842921
Üzemanyagszűrő (üzemanyagtartállyal)	808116
Üzemanyagszűrő (üzemanyag-szivattyúval)	845125

### MODELLEK: 290000, 300000, 350000, 380000

Üzemanyagszűrő (üzemanyag-szivattyú nélkül)	298090
Ellenállással felszerelt gyújtógyertya	491055S
Hosszú élettartamú platina gyújtógyertya	696202, 5066K
Gyújtógyertya-kulcs	19576S
Gyújtógyertya-tesztelő	84003327

Javasoljuk, hogy a motor és motoralkatrészek minden karbantartását és szervizelését Briggs & Stratton hivatalos szakkereskedésnél végeztesse.

## Teljesítmény-besorolás

Az egyes benzines modellek maximális bruttó energiafelhasználását az SAE (Gépjárműipari mérnökök egyesülete) J1940-es kódjelölése szerint jelöljük, a kismotorok teljesítménye és a forgatónyomaték-besorolás alapján az SAE J1995-ös szerint. A 2600 ford./percet elért forgatónyomaték-értékek az „rpm”-es motoroknál így szerepelnek a címkén, míg az összes többi motornál 3060 RPM szerepel; a lőerőértékeket 3600 RPM-en mérik. A [www.BRIGGSandSTRATTON.COM](http://www.BRIGGSandSTRATTON.COM) címen tekinthetők meg a bruttó teljesítménygörbék. A nettó értékeket a kipufogó és a légtisztító felszerelése után mérik, míg a bruttó energiafelhasználási értékeket ezek nélkül szerzik be. A valódi bruttó motorteljesítmény nagyobb a nettó motorteljesítménynél, többek között az üzemeltetési körülmények és a motoronként változó különbségek is befolyásolják. A termékek széles skáláját figyelembe véve, amelyekbe a motorokat beszerelik, a benzinmotor egyes motoroknál nem éri el a mért bruttó energiafelhasználást. Ez a különbség többek között számos olyan tényezőnek tudható be, mint például a motor különböző alkotórészei (légtisztító, kipufogó, töltérendszer, hűtés, karburátor, üzemanyag-szivattyú stb.), az alkalmazási korlátozások, a környezeti működési feltételek (hőmérséklet, páratartalom, tengerszint feletti magasság), illetve a motorok variálhatósága. Gyártási és kapacitáskorlátozások következtében a Briggs & Stratton ezt a motort egy magasabb teljesítmény-besorolású motorral helyettesítheti.

## Garancia

### Briggs & Stratton® motorgarancia

Hatályos 2022 augusztusától

#### Korlátozott jótállás

A Briggs & Stratton garantálja, hogy az itt meghatározott garanciaidő alatt díjmentesen megjavít vagy – a Briggs & Stratton saját belátása szerint – újra, felújított vagy újból legyártottra cserél minden anyaghibás, gyártási hibás vagy egyszerre anyag- és gyártási hibás alkatrészt. A szállítás költségeit a javításra vagy cserére elküldött termék vonatkozásában a garancia szerint a vásárlónak kell fedeznie. A garancia csak az alábbiakban meghatározott időtartamok és feltételek szerint érvényes. A jótállással kapcsolatos szolgáltatás céljából keresse meg a legközelebbi hivatalos szervizképviselőt a márkakereskedő-kereső térképünkön itt: [BRIGGSandSTRATTON.COM](http://BRIGGSandSTRATTON.COM). A vevőnek fel kell vennie a kapcsolatot a hivatalos márkaszervizzel, és biztosítania kell, hogy a hivatalos márkaszerviz ellenőrizhesse és megvizsgálhassa az adott terméket.

**Nem létezik más kifejezett garancia. A vélelmezett garancia, beleértve az eladhatóságra és az egy sajátos célnak való megfelelőségre vonatkozó garanciát, a vásárlás napjától számított egy évre vagy a törvény által megállapított időtartamra korlátozódik. Minden más vélelmezett garancia ki van zárva. A véletlen vagy következményes károk ki vannak zárva a garanciából a törvény által megengedett határig.** Egyes államokban vagy országokban nem engedélyeznek olyan korlátozást, hogy mennyi ideig tart valamely vélelmezett garancia és bizonyos államokban vagy országokban nem engedélyezik a járulékos vagy következményes károk kizárását vagy korlátozását, így lehetséges, hogy a fenti korlátozás és kizárás önre nem vonatkozik. Jelen jótállás meghatározott jogokat biztosít Önnek, és elképzelhető, hogy egyéb jogai is vannak, ezek azonban államról államra illetve országról országra változnak.

### A normál garancia feltételei <sup>1, 2</sup>

#### Vanguard®, Kereskedelmi terméksorozat

Fogyasztói használat - 36 hónap

Kereskedelmi használat - 36 hónap

#### XR sorozat

Fogyasztói használat - 24 hónap

Kereskedelmi használat - 24 hónap

#### Minden más motor Dura-Bore™ öntöttvas persellyel

Fogyasztói használat - 24 hónap

Kereskedelmi használat - 12 hónap

#### Minden más motor

Fogyasztói használat - 24 hónap

Kereskedelmi használat - 3 hónap

<sup>1</sup> Ezek a normál jótállási feltételeink, de esetenként további garanciális fedezet is létezhet, amelyet a közzététel időpontjában még nem határoztunk meg. Ha meg szeretné ismerni a motorjára vonatkozó jótállási feltételek jelenlegi listáját, keresse fel a BRIGGSandSTRATTON.com webhelyet, vagy vegye fel a kapcsolatot egy Briggs & Stratton hivatalos szervizképviselővel.

<sup>2</sup> Nincs jótállás a közmű helyett elsődleges energiaellátásra használt berendezések motorjaira, a kereskedelmi célokra használt készenléti generátorokra, a 25 MPH sebességet meghaladó haszonjárművekre, valamint a versenyeken, illetve a kereskedelmi vagy bérelt pályákon használt motorokra.

\* Ausztráliában – Termékeink olyan garanciákkal rendelkeznek, amelyek az ausztrál fogyasztóvédelmi törvény szerint nem zárhatók ki. Ön cseréire vagy pénz visszatérítésre jogosult a súlyosabb hibák esetében, és kártérítésre minden más reálisan előrelátható veszteségért vagy kárért. Akkor is joga van a termékek javítására vagy cseréjére, ha a termékek minősége nem megfelelő, és a meghibásodás nem minősül súlyosnak. Garanciális szervizszolgáltatás igénybevétele céljából keresse meg a legközelebbi hivatalos szervizképviselőt márkakereskedő-kereső tércélpőnkön a BRIGGSandSTRATTON.COM webhelyen, hívja az 1300 274 447 számot, küldjön e-mailt a salesenquires@briggsandstratton.com.au címre vagy levelet a Briggs & Stratton Australia Pty Ltd, 1 Moorebank Avenue, Moorebank, NSW, Australia, 2170 címre.

A jótállási időszak az első kiskereskedelmi fogyasztó vagy kereskedelmi végfelhasználó általi vásárlás napjától lép érvénybe, és a fenti táblázatban megadott időszakra szól. A „fogyasztói felhasználás” a kiskereskedelmi fogyasztó által való személyes lakóhelyi háztartási felhasználást jelenti. A „kereskedelmi felhasználás” minden egyéb felhasználást jelent, beleértve a kereskedelmi, jövedelemtermelő és bérleti célú felhasználást. Ha egy motor egyszer már kereskedelmi használatba került, akkor ezt követően a jelen garancia szempontjából kereskedelmi felhasználású motornak kell tekinteni.

**Nincs szükség garanciabejegyzésre a Briggs & Stratton márkájú termékek garanciajogának érvényesítéséhez. Őrizze meg a vásárlást igazoló nyugtát. Ha nem igazolja az eredeti beszerzés dátumát a garanciális szerviz igénylésének időpontjában, akkor a termék gyártási időpontját veszik figyelembe a jótállási időszak meghatározásához.**

#### A garanciájáról

Ez a garancia csak a motorral kapcsolatos anyag- és/vagy gyártási hibákra vonatkozik, nem pedig annak a berendezésnek a cseréjére vagy árának visszatérítésére, amelyre az illető motor fel van szerelve. A normál karbantartáshoz szükséges anyagokra, teljesítménynövelő beállításokra, beállításokra vagy normál elhasználódásra ill. szakadásra nem vonatkozik a garancia. Hasonlóképpen nem vonatkozik a garancia arra az esetre, amikor megváltoztatták vagy módosították a motort, továbbá megromgálták vagy eltávolították a motorszámot. Ez a garancia nem vonatkozik az alábbi okok miatti motorkárookra vagy teljesítményproblémákra:

1. Olyan alkatrészek használata, amelyek nem Briggs & Stratton
2. A motor működtetése elégtelen, szennyezett vagy nem megfelelő konzisztencia besorolású kenőolajjal;
3. Szennyezett vagy állott üzemanyag, 10%-nál nagyobb etanoltartalmú benzin vagy alternatív üzemanyagok használata, mint cseppfolyósított szénhidrogén vagy földgáz, olyan motorokban, melyeket a Briggs & Stratton eredetileg nem ilyen üzemanyagokkal való működésre tervezett/gyártott;
4. Szennyeződés, amelynek a motorba való bejutását nem megfelelő levegőszűrő karbantartás vagy visszaszerelés okozta;
5. A forgókéses fűnyíró késével egy tárgynak ütközés, laza vagy nem megfelelően felszerelt késadapterek, turbinakerekek vagy más főtengellyel összekötött eszközök, továbbá túl szoros ékszíj;
6. Tartozékok vagy részegységek, mint tengelykapcsolók, sebességváltók, berendezés kezelőszervek stb., amelyeket nem a Briggs & Stratton szállított;
7. Lenyírt fűdarabok, szennyeződés, nyesedék vagy rágcsáló bűvőhelyanyagai miatti túlmelegedés, melyek eldugaszolják illetve eltömítik a hűtőbordákat vagy a lendkerék környékét, továbbá a motornak megfelelő szellőzés nélküli működtetése;
8. Túlzott vibráció értéken felüli sebességgel történő működtetés, laza motorrögzítés, laza illetve kiegyensúlyozatlan vágókések vagy turbinák, továbbá a berendezés alkotóelemeinek nem megfelelő főtengely csatlakoztatása miatt;
9. Nem rendeltetésszerű használat, a rendszeres karbantartás hiánya, a berendezés szállítása, kezelése vagy raktározása, ill. nem megfelelő motor beszerelés.

A jótállási szolgáltatás kizárólag a Briggs & Stratton hivatalos márkaszervizeiben vehető igénybe. Keresse meg a legközelebbi hivatalos szervizképviselőt a márkakereskedő-kereső tércélpőnkön a BRIGGSandSTRATTON.COM webhelyen, vagy hívja az 1-800-444-7774 számot (az Egyesült Államokban).

80114782 (A átdolgozás)

## Bendroji informacija



Šiame vadove pateikta saugumo informacija apie pavojus ir riziką, susijusius su šiuo varikliu, ir kaip jų išvengti. Jame taip pat yra taisyklingo variklio naudojimo ir priežiūros instrukcijos. Svarbu, kad perskaitytumėte, suprastumėte ir laikytumėtės šių instrukcijų. **Išsaugokite šį vadovą ateičiai.**

**PASTABA:** Šiame vadove esantys paveikslėliai ir iliustracijos yra tik pavyzdžiai, jie gali skirtis nuo jūsų modelio. Remkitės jūsų variklio konfigūraciją atitinkančiais paveikslėliais. Jei reikia, kreipkitės į įgaliojantį techninės priežiūros atstovą.

Užsirašykite variklio modelį, tipą, partijos numerį ir įsigijimo datą, jei prireiktų keičiamųjų dalių. Šiuos numerius rasite ant variklio. Žr. skyrių **Funkcijos ir valdikliai**.

Pirkimo data	
Variklio modelis – tipas – apdaila	
Variklio serijos numeris	

## Biuro Europoje kontaktinė informacija

Dėl klausimų, susijusių su dujų išlakomis Europoje, kreipkitės į mūsų biurą Europoje, adresu:

Max-Born-Straße 2, 68519 Viernheim, Vokietija.

## Europos Sąjunga (ES), V etapas (5): Anglies dioksido (CO2) vertės

Iveskite raktinį paieškos žodį „CO2“ BriggsandStratton.com puslapio paieškos laukelyje, norėdami rasti „Briggs & Stratton“ ES tipą patvirtinančią sertifikatą turinčių variklių anglies dioksido vertes.

## Informacija apie atliekų surinkimą ir perdirbimą

		Visas dėžes, naudotą alyvą ir senus akumulatorius atiduokite perdirbti, atsižvelgdami į galiojančius valstybės teisės aktus.
--	--	--

## Operatoriaus sauga

### Saugos įspėjimo ženklas ir įspėjamieji žodžiai



Saugos įspėjimo ženklas žymi saugos informaciją dėl pavojų, galinčių sukelti traumas. Įspėjamasis žodis (**PAVOJUS**, **ĮSPĖJIMAS** arba **ATSARGIAI**) naudojamas, siekiant parodyti galimo sužeidimo tikimybę ir sunkumą. Be to, pavojaus ženklas naudojamas pavojaus tipui nurodyti.

**PAVOJUS** – kai kyla rimtas mirtino arba sunkaus sužeidimo pavojus.

**ĮSPĖJIMAS** – kai kyla galimo mirtino arba sunkaus sužeidimo pavojus.

**ATSARGIAI** reiškia pavojų, kuris, jo nevengiant, gali sukelti lengvą ar vidutinį sužalojimą.

**PASTABA** nurodo svarbią informaciją, tiesiogiai nesusijusią su pavojais.

## Pavojaus ženklai ir jų reikšmės

	Saugos informacija apie pavojus, kurie gali baigtis susižalojimu.		Prieš naudodami įrenginį arba prieš vykdydami jo techninės priežiūros darbus, perskaitykite naudojimo instrukciją ir įsisavinkite joje pateiktą informaciją.
	Gaisro pavojus		Sprogimo pavojus
	Elektros smūgio pavojus		Nuodingų dujų pavojus

	Karštų paviršių keliamas pavojus		Atatranks pavojus
	Amputacijos pavojus – judančios dalys		Degalų lygis – maksimalus Neperpildykite

## Saugos pranešimai



### ĮSPĖJIMAS

„Briggs & Stratton®“ varikliai nėra skirti ir negali būti naudojami kaip energijos šaltinis: pramoginiuose ar sportiniuose kartinguose; vaikiškuose, pramoginiuose ar sportiniuose keturračiuose (ATV); motocikluose; transporto priemonėse su oro pagalve; aviacijos gaminiuose; arba varžyboms naudojamose mašinos, kurių nepatvirtino „Briggs & Stratton“. Informacijos apie lenktynėms skirtus gaminius rasite svetainėje [www.briggsracing.com](http://www.briggsracing.com). Dėl naudojimo universaliuose keturračiuose ir bagiuose kreipkitės į „Briggs & Stratton“ variklių taikymo centrą, 1-866-927-3349. Netinkamas variklio naudojimas gali sukelti sunkią ar mirtiną traumą.



### ĮSPĖJIMAS

Degalai ir jų garai yra degūs ir sprogūs. Ugnis arba sprogimas gali jus nudeginti arba užmušti.

### Pildami degalus

- Išjunkite variklį. Prieš nuimdami degalų dangtelį, palaukite mažiausiai dvi (2) minutes, kad variklis atvėstų.
- Pildykite degalų baką lauke arba gerai vėdinamose patalpose.
- Nepilkite per daug degalų į baką. Kadangi degalai gali plėstis, nepilkite virš apatinės degalų bako kaklelio ribos.
- Saugokite degalus nuo kibirkščių, atviros ugnies, nuolat įjungtų dujų degiklių, šilumos ir kitų uždegimo šaltinių.
- Dažnai tikrinkite, ar degalų žarnos, degalų bakas, degalų dangtelis ir jungtys neįtrūkė ir neprateka. Pakeiskite apgadintas detales.
- Jeigu išsilietę degalai, prieš paleisdami variklį palaukite, kol jie išgaruos.

### Paleisdami variklį

- Įsitikinkite, kad uždegimo žvakė, duslintuvas, degalų bako dangtelis ir oro filtras (jei įrengtas) yra tinkamai sumontuoti.
- Nebandykite užvesti variklio, kai išimta degimo žvakė.
- Jei variklis užlietas, nustatykite oro sklendę (jei yra) į padėtį ATIDARYTA arba PALEISTI. Droselinę sklendę (jei yra) nustatykite į padėtį GREITAS ir paleidinėkite variklį tol, kol jis pasileis.
- Jeigu netoliese yra gamtinių arba LP dujų nuotėkis, nepaleiskite variklio.
- Kadangi garai yra degūs, negalima suslėgti paleidimui skirtų skysčių.

### Naudodami įrangą

- Neverkite variklio arba įrangos ant šono, nes gali išsilieti degalai.
- Neuždarykite karbiuratoriaus oro sklendės (jei yra) norėdami išjungti variklį.
- Nepaleiskite ir nenaudokite variklio be oro valymo bloko (jei yra) arba oro filtro (jei yra).

### Atlikdami techninę priežiūrą

- Išleidžiant alyvą iš viršutinio įpylimo vamzdelio, degalų bakas privalo būti tuščias. Jei jis netuščias, gali ištekėti degalų ir sukelti gaisrą arba sprogimą.
- Jei atliekant techninės priežiūros darbus reikia paversti įrenginį, įsitikinkite, kad degalų bakas (jei sumontuotas variklyje) būtų tuščias ir kad būtų pakelta ta pusė, kurioje yra uždegimo žvakė. Jei degalų bakas netuščias, gali ištekėti degalų ir sukelti gaisrą arba sprogimą.
- Dažnai tikrinkite, ar degalų žarnos, degalų bakas, degalų dangtelis ir jungtys neįtrūkė ir neprateka. Pakeiskite apgadintas detales.
- Nekeiskite regulatoriaus spyruoklės, jungčių ar kitų dalių, norėdami padidinti variklio greitį.
- Nemuškite smagračio plaktuku arba kitu kietu daiktu. Dėl to eksploatuojant smagračius gali sugesti.
- Keičiamos atsarginės dalys privalo būti to paties dizaino ir sumontuotos į tą pačią padėtį kaip ir originalios dalys. Naudojant kitokias dalis, galima sugadinti įrangą arba susižeisti.

### Keisdami įrangos vietą

- Įsitikinkite, kad degalų bakas yra TUŠČIAS arba kad degalų vožtuvas yra nustatytas į padėtį UŽDARYTA.

## Sandėliuodami degalus arba įrangą su pilnu degalų baku

- Atviri dujų degikliai ar kiti uždegimo šaltiniai gali sukelti sprogmus, todėl degalus ar įrangą laikykite atokiau nuo krosnių, viryklių, vandens šildytuvų ar kitų buitinių prietaisų su atvirais dujų degikliais.



### ĮSPĖJIMAS

Degalai ir jų garai yra degūs ir sprogūs. Ugnis arba sprogmimas gali jus nudeginti arba užmušti.

### Variklio paleidimas sukelia kibirkštį, kuri gali sukelti gaisrą ar sprogmą.

- Jeigu netoliese yra gamtinių arba LP dujų nuotėkis, nepaleiskite variklio.
- Kadangi garai yra degūs, negalima suslėgti paleidimui skirtų skysčių.



### ĮSPĖJIMAS

**NUODINGŲ IŠMETAMŲJŲ DUJŲ KELIAMAS PAVOJUS.** Variklio išmetamosiose dujose yra anglies monoksido – nuodingų dujų, kurios per kelias minutes gali sukelti mirtį. Net jeigu neužuodžiate išmetamųjų dujų kvapo, vis tiek galite būti paveikti pavojingų anglies monoksido dujų. Jeigu naudodami šį gaminį pajustumėte pykinimą, galvos svaigimą ar silpnumą, **NEDELSDAMI** išeikite pakvėpuoti grynu oru. Kreipkitės į gydytoją. Galite apsinuodyti anglies monoksidu.

- Anglies monoksido dujos gali kauptis uždaruose plotuose. Kad sumažėtų anglies monoksido keliamas pavojus, naudokite šį gaminį TIK lauke kuo toliau nuo langų, durų ar ventiliacijos angų.
- Įrenkite akumuliatorinius anglies monoksido detektorius arba elektrinius anglies monoksido detektorius su atsarginiu akumuliatoriumi, vadovaudamiesi gamintojo instrukcijomis. Dūmų detektoriai negali fiksuoti anglies monoksido dujų.
- NEJUNKITE** šio gaminio namuose, garažuose, rūsiuose, koridoriuose, pašiūrėse ar kitose uždaroose vietose, net jei ventiliacijai naudojate ventiliatorius arba esate atidarę duris bei langus. Panaudojus šį gaminį, anglies monoksidas gali greitai susikaupti šiose vietose ir likti valandų valandas.
- VISADA** orientuokite gaminį pavėjui ir nukreipkite variklio išmetamųjų dujų vamzdį nuo žmonių.



### ĮSPĖJIMAS

**Greitas starterio laido susisukimas gali patraukti ranką greičiau, negu spėsite paleisti rankenėlę. Jums gali lūžti kaulai, atsirasti nubrozdinimai, sumušimai ir pasitempti saugyslės.**

- Kad to išvengtumėte, norėdami paleisti variklį, lėtai traukite starterio laidą, kol pajusite pasipriešinimą, o tada staigiu ir greitu judesiu paleiskite variklį.
- Prieš paleisdami variklį, atjunkite ar nuimkite visą pašalinę įrangą ir variklio apkrovą.
- Įsitinkite, kad tiesiogiai prijungti įrangos komponentai, tokie kaip peiliai, sparnuotės, skriemuliai, krumpliaračiai ir t. t., yra saugiai pritvirtinti.



### ĮSPĖJIMAS

**Besisukančios dalys gali įtraukti rankas, kojas, plaukus, aprangą arba kokią daiktą ir sukelti trauminę amputaciją ar plėštinę žaizdą.**

- Įrangą naudokite su tinkamai sumontuotomis apsaugomis.
- Laikykite rankas ir kojas toliau nuo besisukančių dalių.
- Nusiimkite papuošalus ir žiūrėkite, kad ilgi plaukai būtų atokiau nuo besisukančių dalių.
- Nedėvėkite palaidų drabužių ar daiktų, kuriuos galėtumėte įtraukti variklis.



### ĮSPĖJIMAS

**Eksploatavimo metu variklis ir duslintuvas įkaista. Palietus karštą variklį, galima nusideginti.**

### Degios medžiagos, pavyzdžiui, lapai, žolė, krūmai ir kt., gali užsiliepsnoti.

- Prieš liesdami variklį ar duslintuvą, išjunkite variklį ir palaukite dvi (2) minutes. Įsitinkite, kad saugu liesti variklį ir duslintuvą.
- Pašalinkite nešvarumus nuo duslintuvo ir variklio.

Kalifornijos valstybinių išteklių kodekso 4442 skyrius draudžia naudoti šį variklį mišku, krūmynais ar žole dengtose vietose, jei variklio išmetimo sistemoje neįrengtas kibirkščiu gaudiklis, atitinkantis 4442 skyriaus reikalavimus ir yra tinkamas naudoti. Kitose valstijose arba federalinėse jurisdikcijose gali galioti analogiški įstatymai; žr. Federalinį reglamentą 36 CFR, 261.52 punktą. Kreipkitės į originalios įrangos gamintoją, platintoją ar atstovą, kad įsigytumėte kibirkščių gaudyklę, pritaikytą jūsų išmetimo sistemai, įrengtai variklyje.



### ĮSPĖJIMAS

**Atsitiktinė variklio kibirkštis gali sukelti elektros smūgį, gaisrą ar sprogmą, todėl galite įspainioti, o tai gali baigtis traumuojančia amputacija ar plėštinėmis žaizdomis.**

### Prieš reguliuodami ar remontuodami:

- Atjunkite visų uždegimo žvakių laidus ir laikykite juos kuo toliau nuo uždegimo žvakių.
- Atjunkite akumuliatoriaus laidą nuo neigiamo gnybto (taikytina tik varikliams su elektrine užvedimo sistema).
- Naudokite tik darbui tinkamus įrankius.

### Tikrindami, ar kyla kibirkštis:

- Naudokite patvirtintą uždegimo žvakės bandyklę.
- Netikrinkite, ar kyla kibirkštis, kai uždegimo žvakė yra išimta.



### ĮSPĖJIMAS

**Degalų garai yra degūs ir sprogūs. Ugnis arba sprogmimas gali jus nudeginti arba užmušti.**

### Užuodę dujas

- Variklio nepaleiskite.
- Nejunkite elektros jungiklių.
- Nenaudokite telefono artimoje aplinkoje.
- Išveskite visus žmones iš tos zonos.
- Susisiekite su dujų tiekėju arba priešgaisrine tarnyba.

## Funkcijos ir valdikliai

### Variklio valdytuvai

Palyginkite išnašų raides paveikslėliuose 1, 2, 3 ir 4 su toliau pateiktame sąrašė nurodytais variklio valdikliais:

- A. Variklio identifikacijos numeriai **Modelis – tipas – kodas**
- B. Uždegimo žvakė
- C. Oro filtras (be degalų bako)
- D. Oro filtras (su degalų baku)
- E. Alyvos lygio matuoklis
- F. Alyvos pildymo anga
- G. Alyvos filtras (jei sumontuotas)
- H. Alyvos išleidimo kaištis
- I. Alyvos slėgio jutiklis
- J. Smagračio apsaugas
- K. Elektrinis starteris
- L. Rankinis starteris (jei sumontuotas)
- M. Karbiuratorius – modeliai su karbiuratoriumi
- N. Duslintuvas
- O. Degalų siurblys
- P. Starterio jungiklis<sup>1</sup>
- Q. Droselinės sklendės valdiklis<sup>1</sup>
- R. Oro sklendės valdiklis<sup>1</sup>
- S. Degalų filtras (jei sumontuotas)
- T. Degalų bakas
- U. Degalų sklendė (jei sumontuota)<sup>1</sup>
- V. Stabdymo jungiklis (jei sumontuotas)<sup>1</sup>
- W. Alyvos aušintuvas (jei sumontuotas)
- X. Degalų siurblio modulis – modeliai su EFI
- Y. Elektroninis valdymo blokas – modeliai su EFI
- Z. Degalų purkštukas – modeliai su EFI

<sup>1</sup> Tam tikri varikliai ir įranga turi nuotolinius valdiklius. Jų vieta ir veikimo būdas nurodyti nuotolinių valdymo įrenginių naudojimo instrukcijoje.



## Variklio valdiklių ženklai ir jų reikšmės

 Variklio apsaukos – GREITOS	 Variklio apsaukos – LĖTOS
 Variklio apsaukos – SUSTABDYTOS	 ĮJUNGTAS / IŠJUNGTAS
 Variklio paleidimas Oro sklendė UŽDARYTA	 Variklio paleidimas Oro sklendė ATIDARYTA
 Degalų bako dangtelis Degalų tiekimo atjungimo sklendė ATIDARYTA	 Degalų tiekimo atjungimo sklendė UŽDARYTA

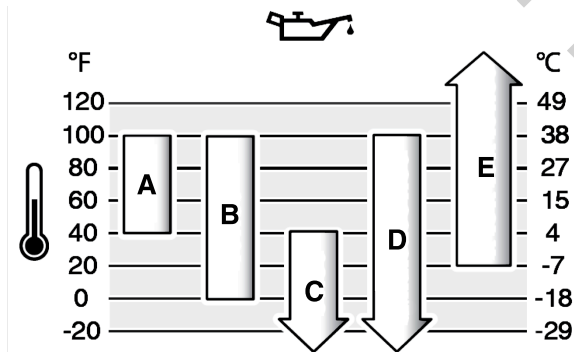
## Naudojimas

### Alyvos rekomendacijos

Alyvos talpa: Žr. skyrių *Specifikacijos*.

Jei norite, kad įranga veiktų optimaliai, rekomenduojame naudoti „Briggs & Stratton®“ sertifikuotas alyvas. Galite naudoti ir kitas aukštos kokybės alyvas, priskiriamas SF, SG, SH, SJ arba aukštesnei klasei. Nenaudokite specialių priedų.

Norėdami parinkti tinkamiausio klampumo alyvą, vadovaukitės numatomomis oro sąlygomis ir pateikta lentele. Daugeliui lauke naudojamų elektrinių įrenginių variklių tinka 5W-30 sintetinė alyva. Jei įranga eksploatuojama aukštos temperatūros aplinkoje, rekomenduojame naudoti „Vanguard®“ 15W-50 sintetinę alyvą.



A	SAE 30 – jeigu SAE 30 alyva naudojama žemesnės nei 40 °F (4 °C) temperatūros aplinkoje, gali kilti problemų paleidžiant variklį.
B	10W-30 – jeigu 10W-30 alyva naudojama aukštesnės nei 80 °F (27 °C) temperatūros aplinkoje, gali padidėti alyvos sąnaudos. Dažnai tikrinkite alyvos lygį.
C	5W-30
D	Sintetinė 5W-30
E	Vanguard® sintetinė 15W-50

### Patikrinkite alyvos lygį

Prieš tikrinant arba papildant alyvos

- Įsitinkite, kad variklis yra horizontalus.
- Nuvalykite purvą nuo alyvos pildymo vietos.
- Duomenis apie alyvos talpą rasite skyriuje *Specifikacijos*.

### PASTABA

Variklis iš Briggs & Stratton gamyklos pristatomas be alyvos. Įrangos gamintojai arba pardavėjai galėjo pripildyti alyvos į variklį. Prieš paleisdami variklį pirmą kartą, įsitinkite, kad alyvos lygis tinkamas. Papildykite alyvos, kaip nurodyta šiame vadove. Paleidus variklį be alyvos, jis bus sugadintas ir jam nebus taikoma garantija.

1. Ištraukite lygio matuoklį (5 pav., A) ir nušluostykite jį skudurėliu.
2. Įstatykite ir priveržkite lygio matuoklį (5 pav., A).
3. Ištraukite matuoklį ir patikrinkite alyvos lygį. Pasirūpinkite, kad alyvos lygis siektų viršutinę alyvos lygio matuoklio žymą (5 pav., B).
4. Jeigu alyvos lygis žemas, lėtai pripilkite alyvos į variklio alyvos pildymo angą (5 pav., C). Nepripilkite per daug alyvos.

5. Palaukite vieną minutę ir vėl patikrinkite alyvos lygį. Įsitinkite, kad alyvos lygis tinkamas.
6. Įstatykite ir priveržkite lygio matuoklį (5 pav., A).

## Apsaugos sistema nuo nepakankamo alyvos kiekio (jeigu yra sumontuota)

Kai kuriuose varikliuose yra sumontuotas žemo alyvos lygio jutiklis. Jei alyvos mažai, jutikliui suveikus užsidega įspėjamasis indikatorius arba išjungiamas variklis. Išjunkite variklį ir atlikite šiuos veiksmus prieš užvesdami variklį.

- Įsitinkite, kad variklis yra nustatytas į horizontalią padėtį.
- Patikrinkite alyvą. Žiūrėkite skyrių *Alyvos lygio tikrinimas*.
- Jei alyvos lygis žemas, įpilkite reikiamą alyvos kiekį. Užveskite variklį ir įsitinkite, kad įspėjamasis indikatorius (jei sumontuotas) neužsidega.
- Jei alyvos lygis nėra žemas, nepaleiskite variklio. Kreipkitės į „Briggs & Stratton“ įgaliotąjį techninės priežiūros atstovą, kad pašalintų su alyva susijusią problemą.

## Rekomendacijos dėl degalų

Degalai turi atitikti šiuos reikalavimus:

- Švarūs, švieži, be švino.
- Minimalus oktaninis skaičius 87 / 87 AKI (91 RON). Jeigu dirbate dideliame aukštyje virš jūros lygio, žr. toliau.
- Leidžiama naudoti degalų mišinius, kuriuose yra iki 10 % etanolio.

### PASTABA

Nenaudokite nepatvirtinto tipo degalų, pvz., E15 ir E85. Nemaišykite benzino su alyva ir nebandykite perdirbti variklio, kad jis veiktų su kitais degalais. Dėl netinkamų degalų naudojimo variklio dalys gali sugesti ir garantija jam nebebus galios.

Norėdami apsaugoti degalų sistemą nuo nuosėdų ir korozijos, į degalus įmaišykite kuro stabilizatoriaus (be alkoholio) ir etanolio. Žr. skyrių *Laikymas*. Ne visi degalai yra vienodi. Jeigu variklis blogai veikia, pakeiskite degalų tiekėją arba markę. Šis variklis yra sertifikuotas naudoti benzina. Išmetamųjų dujų kontrolės sistema varikliams su karbiuratoriais yra EM (variklio modifikacija). Išmetamųjų dujų kontrolės sistema varikliams su elektroniniu kuro įpurškimu yra ECM (variklio valdymo modulis), MPI (daugiataškis kuro įpurškimas), TBI (degalų įpurškimas droselio korpuse) ir, jei įrengtas, O2S (deguonies jutiklis).

### Didelis aukštis virš jūros lygio

Dirbant didesniame nei 5 000 pėdų (1 524 metrų) aukštyje virš jūros lygio leidžiama naudoti ne mažesnio kaip 85 oktaninio skaičiaus / 85 AKI (89 RON) benzina.

Norint užtikrinti tinkamas variklio su karbiuratoriumi darbinės charakteristikas, būtina sureguliuoti aukščio virš jūros lygio nustatymą. Neatlikus tokio reguliavimo sumažės variklio našumas, padidės degalų sąnaudos ir išmetamųjų dujų kiekis. Dėl informacijos, kaip nustatyti įrenginį darbui aukštumoje, kreipkitės į įgaliotąjį Briggs & Stratton techninės priežiūros atstovą. Nerekomenduojama naudoti variklio, nustatyto dirbti dideliame aukštyje, mažesniame nei 2 500 pėdų (762 metrų) aukštyje.

Varikliuose su elektronine kuro įpurškimo sistema (EFI) didelės altitudės reguliavimas nėra reikalingas.

## Degalų pildymas

**ĮSPĖJIMAS**  Degalai ir jų garai yra degūs ir sprogūs. Ugnis arba sprogdimas gali jus nudeginti arba užmušti.

### Pildami degalus

- Išjunkite variklį. Prieš nuimdami degalų dangtelį, palaukite mažiausiai dvi (2) minutes, kad variklis atvėstų.
- Pildykite degalų baką lauke arba gerai vėdinamose patalpose.
- Nepilkite per daug degalų į baką. Kadangi degalai gali plėstis, nepilkite virš apatinės degalų bako kaklelio ribos.
- Saugokite degalus nuo kibirkščių, atviros ugnies, nuolat įjungtų dujų degiklių, šilumos ir kitų uždegimo šaltinių.
- Dažnai tikrinkite, ar degalų žarnos, degalų bakas, degalų dangtelis ir jungtys neištrūkę ir neprateka. Pakeiskite apgadintas detales.
- Jeigu išsilietę degalai, prieš paleisdami variklį palaukite, kol jie išgaruos.

1. Nuvalykite aplink degalų dangtelį esantį purvą ir nešvarumus. Atsukite degalų bako dangtelį.
2. Į degalų baką (A, 6 pav.) pripilkite degalų. Kadangi degalai plėsis, nepilkite virš apatinės degalų bako kaklelio (B) ribos.
3. Užsukite degalų bako dangtelį.

## Variklio užvedimas



### ĮSPĖJIMAS

Atsitiktinė variklio kibirkštis gali sukelti elektros smūgį, gaisrą ar sprogimą, todėl galite įsispainioti, o tai gali baigtis traumuojančia amputacija ar plėštinėmis žaizdomis.

#### Prieš reguliuodami ar remontuodami:

- Atjunkite visų uždegimo žvakių laidus ir laikykite juos kuo toliau nuo uždegimo žvakių.
- Atjunkite akumulatoriaus laidą nuo neigiamo gnybto (taikytina tik varikliams su elektrine užvedimo sistema).
- Naudokite tik darbu tinkamus įrankius.

#### Tikrindami, ar kyla kibirkštis:

- Naudokite patvirtintą uždegimo žvakės bandiklį.
- Netikrinkite, ar kyla kibirkštis, kai uždegimo žvakė yra išimta.



### ĮSPĖJIMAS

Greitas starterio laido susisukimas gali patraukti ranką greičiau, negu spėsite paleisti rankenėlę. Jums gali lūžti kaulai, atsirasti nubrozdinimai, sumušimai ir pasitempti sausgyslės.

- Kad to išvengtumėte, norėdami paleisti variklį, lėtai traukite starterio laidą, kol pajusite pasipriešinimą, o tada staigiu ir greitu judesiu paleiskite variklį.
- Prieš paleisdami variklį, atjunkite ar nuimkite visą pašalinę įrangą ir variklio apkrovą.
- Įsitinkinkite, kad tiesiogiai prijungti įrangos komponentai, tokie kaip peiliai, sparnuotės, skriemuliai, krumpliaraciai ir t. t., yra saugiai pritvirtinti.



### ĮSPĖJIMAS

**NUODINGŲ IŠMETAMŲJŲ DUJŲ KELIAMAS PAVOJUS.** Variklio išmetamosiose dujose yra anglies monoksido – nuodingų dujų, kurios per kelias minutes gali sukelti mirtį. Net jeigu neužuodžiate išmetamųjų dujų kvapo, vis tiek galite būti paveikti pavojingų anglies monoksido dujų. Jeigu naudodami šį gaminį pajustumėte pykinimą, galvos svaigimą ar silpnumą, **NEDELSDAMI** išeikite pakvėpuoti grynu oru. Kreipkitės į gydytoją. Galite apsinuodyti anglies monoksidu.

- Anglies monoksido dujos gali kauptis uždaruose plotuose. Kad sumažėtų anglies monoksido keliamas pavojus, naudokite šį gaminį TIK lauke kuo toliau nuo langų, durų ar ventilacijos angų.
- Įrenkite akumulatorinius anglies monoksido detektorius arba elektrinius anglies monoksido detektorius su atsarginiu akumulatoriumi, vadovaudamiesi gamintojo instrukcijomis. Dūmų detektoriai negali fiksuoti anglies monoksido dujų.
- **NEJUNKITE** šio gaminio namuose, garažuose, rūsiuose, koridoriuose, pašiūre ar kitose uždaruose vietose, net jei ventilacijai naudojate ventilatorius arba esate atidarę duris bei langus. Panaudojus šį gaminį, anglies monoksidas gali greitai susikaupti šiose vietose ir likti valandų valandas.
- **VISADA** orientuokite gaminį pavėjui ir nukreipkite variklio išmetamųjų dujų vamzdį nuo žmonių.

#### PASTABA

Variklis iš Briggs & Stratton gamyklos pristatomas be alyvos. Įrangos gamintojai arba pardavėjai galėjo pripilti alyvos į variklį. Prieš paleisdami variklį pirmą kartą, įsitinkinkite, kad alyvos lygis tinkamas. Papildykite alyvos, kaip nurodyta šiame vadove. Paleidus variklį be alyvos, jis bus sugadintas ir jam nebus taikoma garantija.

**PASTABA:** Jūsų įranga gali turėti nuotolinius valdiklius. Jų vieta ir veikimo būdas nurodyti nuotolinių valdiklių naudojimo instrukcijoje.

#### Paleidimo sistemų tipai

Prieš užvesdami variklį, turite žinoti, kokio tipo paleidimo sistema yra jūsų variklyje. Jūsų variklyje yra viena iš toliau nurodytų sistemų tipų.

- **Elektroninė degalų įpurškimo sistema (EDI):** EFI sistemoje nėra oro sklendės ar degalų siurblio.
- **Elektroninė degalų valdymo sistema:** Elektroninė degalų valdymo sistema valdo elektroninis valdymo blokas (ECU), kuris kontroliuoja variklio darbą ir temperatūrą. Čia nėra ranka valdomu droselio arba kuro siurblio.
- **Oro sklendės sistema:** Šis sistemos tipas turi oro sklendę, skirtą užvedimui žemos temperatūros aplinkoje. Kai kurie modeliai turi atskirą oro sklendės valdiklį, o kiti turi oro ir droselinės sklendės derinį. Šioje sistemoje nėra degalų siurblio.

## Elektroninė degalų įpurškimo sistema (EFI)

1. Patikrinkite variklio alyvą. Žiūrėkite skyrių „*Alyvos lygio tikrinimas*“.
2. Jeigu yra įrangos pavaros valdikliai, įsitinkinkite, kad jie atjungti.

3. Degalų tiekimo išjungimo vožtuvą (A, 7 pav.) (jei yra) nustatykite į padėtį ATIDARYTA.
4. Stabdymo jungiklį (F, 7, 8 pav.), jei yra, nustatykite į padėtį ĮJUNGTI.
5. Droselinės sklendės valdiklį (8 pav., B), jei sumontuotas, nustatykite į GREITŲ variklio apsukų padėtį. Variklį užveskite esant padėčiai GREITAI.
6. **Rankinis starteris, jei sumontuotas su raktiniu jungikliu:** Pasukite raktinį jungiklį (D, 7, 8 pav.) į padėtį ĮJUNGTI.
7. **Rankinis starteris, jeigu yra.** Tvirtai laikykite suėmę starterio laido rankeną (E, 7, 8 pav.). Lėtai traukite už starterio laido rankenos, kol pajusite pasipriešinimą, tada staigiu judesiu užveskite variklį.



### ĮSPĖJIMAS

Greitas starterio laido įtraukimas (atatranka) truktels jūsų ranką variklio link anksčiau, nei spėsite jį paleisti. Dėl to gali būti sulaužyti ar įskelti kaulai, gali atsirasti sumušimų arba sausgyslių patempimų. Kad to išvengtumėte, norėdami paleisti variklį, lėtai traukite starterio laidą, kol pajusite pasipriešinimą, o tada staigiu ir greitu judesiu paleiskite variklį.

8. **Elektrinis starteris, jeigu yra:** Pasukite elektrinės užvedimo sistemos jungiklį (D, 7, 8 pav.) į padėtį ĮJUNGTI arba PALEISTI.

**PASTABA** Tam, kad starterio eksploatacijos laikas būtų ilgesnis, naudokite trumpus užvedimo ciklus (iki penkių sekundžių trukmės). Tarp paleidimo ciklų palaukite vieną minutę.

Jeigu po 3 arba 4 kartų variklis nepasileidžia, kreipkitės į vietinį pardavimo atstovą, apsilankykite [vanguardpower.com](http://vanguardpower.com) arba skambinkite 1-800-999-9333.

## Elektroninė degalų valdymo sistema

1. Patikrinkite variklio alyvą. Žiūrėkite skyrių „*Alyvos lygio tikrinimas*“.
2. Jeigu yra įrangos pavaros valdikliai, įsitinkinkite, kad jie atjungti.
3. Degalų tiekimo išjungimo vožtuvą (A, 7 pav.) (jei yra) nustatykite į padėtį ATIDARYTA.
4. Stabdymo jungiklį (F, 7, 8 pav.), jei yra, nustatykite į padėtį ĮJUNGTI.
5. Droselinės sklendės valdiklį (8 pav., B), jei sumontuotas, nustatykite į GREITŲ variklio apsukų padėtį. Variklį užveskite esant padėčiai GREITAI.
6. **Rankinis starteris, jei sumontuotas su raktiniu jungikliu:** Pasukite raktinį jungiklį (D, 7, 8 pav.) į padėtį ĮJUNGTI.
7. **Rankinis starteris, jeigu yra.** Tvirtai laikykite suėmę starterio laido rankeną (E, 7, 8 pav.). Lėtai traukite už starterio laido rankenos, kol pajusite pasipriešinimą, tada staigiu judesiu užveskite variklį.



### ĮSPĖJIMAS

Greitas starterio laido įtraukimas (atatranka) truktels jūsų ranką variklio link anksčiau, nei spėsite jį paleisti. Dėl to gali būti sulaužyti ar įskelti kaulai, gali atsirasti sumušimų arba sausgyslių patempimų. Kad to išvengtumėte, norėdami paleisti variklį, lėtai traukite starterio laidą, kol pajusite pasipriešinimą, o tada staigiu ir greitu judesiu paleiskite variklį.

8. **Elektrinis starteris, jeigu yra:** Pasukite elektrinės užvedimo sistemos jungiklį (D, 7, 8 pav.) į padėtį ĮJUNGTI arba PALEISTI.

**PASTABA** Tam, kad starterio eksploatacijos laikas būtų ilgesnis, naudokite trumpus užvedimo ciklus (iki penkių sekundžių trukmės). Tarp paleidimo ciklų palaukite vieną minutę.

Jeigu po 3 arba 4 kartų variklis nepasileidžia, kreipkitės į vietinį pardavimo atstovą, apsilankykite [vanguardpower.com](http://vanguardpower.com) arba skambinkite 1-800-999-9333.

## Droselio sistema

1. Patikrinkite variklio alyvą. Žiūrėkite skyrių „*Alyvos lygio tikrinimas ir pildymas*“.
2. Jeigu yra įrangos pavaros valdikliai, įsitinkinkite, kad jie atjungti.
3. Degalų tiekimo išjungimo vožtuvą (A, 7 pav.) (jei yra) nustatykite į padėtį ATIDARYTA.
4. Stabdymo jungiklį (F, 7, 8 pav.), jei yra, nustatykite į padėtį ĮJUNGTI.
5. Traukos reguliatorių (B, 7 pav.), jei yra, nustatykite į padėtį GREITAS. Variklį užveskite esant padėčiai GREITAI.
6. Nustatykite oro sklendės valdiklį (C, 9, 10 pav.) į padėtį UŽDARYTA.

**PASTABA:** Užvedant šiltą variklį, įprastai droselinės sklendės naudoti nereikia.

7. **Rankinis starteris, jei sumontuotas su raktiniu jungikliu:** Pasukite raktinį jungiklį (D, 7, 8 pav.) į padėtį ĮJUNGTI.

8. **Rankinis starteris, jeigu yra.** Tvirtai laikykite suėmę starterio laido rankeną (E, 7, 8 pav.). Lėtai traukite už starterio laido rankenos (E), kol pajusite pasipriešinimą, tada staigiu judesiu ją patraukite.



#### ĮSPĖJIMAS

Greitas starterio laido įtraukimas (atatranka) truktelis jūsų ranką variklio link anksčiau, nei spėsitė jį paleisti. Dėl to gali būti sulaužyti ar įskelti kaulai, gali atsirasti sumušimų arba sausgyslių patempimų. Kad to išvengtumėte, norėdami paleisti variklį, lėtai traukite starterio laidą, kol pajusite pasipriešinimą, o tada staigiu ir greitu judesiu paleiskite variklį.

9. **Elektrinė užvedimo sistema, jei yra:** nustatykite raktinį jungiklį (D, 7, 8 pav.) į padėtį JUNGTI arba PALEISTI.

#### PASTABA

Tam, kad starterio eksploatacijos laikas būtų ilgesnis, naudokite trumpus užvedimo ciklus (iki penkių sekundžių trukmės). Tarp paleidimo ciklų palaukite vieną minutę.

10. Kai variklis iššils, perstumkite oro sklendės valdiklį (C, 9, 10 pav.) į padėtį ATIDARYTI.

**PASTABA:** Jeigu po 2–3 bandymų variklis neužsiveda, kreipkitės į vietinį pardavimo atstovą, apsilankykite vanguardpower.com arba skambinkite 1-800-999-9333.

## Variklio išjungimas



#### ĮSPĖJIMAS

Degalai ir jų garai yra degūs ir sproguos. Ugnis arba sproginimas gali jus nudeginti arba užmušti.

- Neuždarykite karbiuratoriaus oro sklendės (jei yra) norėdami išjungti variklį.

1. **Sustabdymo jungiklis, jei įrengtas:** Pasukite išjungimo jungiklį (F, 11 pav.) į padėtį IŠJUNGTI.
2. **Raktinis jungiklis, jei yra:** Traukos reguliatoriui (jei yra) esant nustatytam į padėtį LĒTAS, pasukite raktinį jungiklį (D, 11 pav.) į padėtį IŠJUNGTI. Ištraukite raktą ir laikykite jį vaikams nepasiekiamoje saugioje vietoje.
3. Varikliui išsijungus, degalų tiekimo išjungimo vožtuvą (A, 11 pav.) (jei yra) nustatykite į padėtį UŽDARYTA.

## Priežiūra

### Priežiūros informacija



#### ĮSPĖJIMAS

Degalai ir jų garai yra degūs ir sproguos. Ugnis arba sproginimas gali jus nudeginti arba užmušti.

Jei atliekant techninės priežiūros darbus reikia paversti įrenginį, įsitikinkite, kad degalų bakas (jei sumontuotas variklyje) būtų tuščias ir kad būtų pakelta ta pusė, kurioje yra uždegimo žvakė. Jei degalų bakas netuščias, gali ištekėti degalų ir sukelti gaisrą arba sproginimą. Pavertus variklį kita linkme, jį nebus lengva paleisti, nes oro filtras ar uždegimo žvakė bus užteršti alyva ar degalais.



#### ĮSPĖJIMAS

Atsitiktinė variklio kibirkštis gali sukelti elektros smūgį, gaisrą ar sproginimą, todėl galite įsipainioti, o tai gali baigtis traumuojančia amputacija ar plėštinėmis žaizdomis.

#### Prieš reguliuodami ar remontuodami:

- Atjunkite visų uždegimo žvakių laidus ir laikykite juos kuo toliau nuo uždegimo žvakių.
- Atjunkite akumulatoriaus laidą nuo neigiamo gnybto (taikytina tik varikliams su elektrine užvedimo sistema).
- Naudokite tik darbu tinkamus įrankius.

#### Tikrindami, ar kyla kibirkštis:

- Naudokite patvirtintą uždegimo žvakės bandiklį.
- Netikrinkite, ar kyla kibirkštis, kai uždegimo žvakė yra išimta.



#### ĮSPĖJIMAS

Keičiamos atsarginės dalys privalo būti to paties dizaino ir sumontuotos į tą pačią padėtį kaip ir originalios dalys. Naudojant kitokias dalis, galima sugadinti įrangą arba susižeisti.

#### PASTABA

Visos šiame variklyje panaudotos detalės turi būti savo vietose.

Naudokitės „Briggs & Stratton“ įgaliotojo techninės priežiūros atstovo teikiamomis variklio ir jo dalių serviso bei remonto paslaugomis.

## Išmetamųjų dujų kontrolės techninė priežiūra

Dėl išmetimo kontrolės prietaisų ir sistemų priežiūros, keitimo arba remonto kreipkitės į ne automobilių variklių priežiūros centrą ar priežiūros techniką.

Tačiau nemokamai pagal „Briggs & Stratton“ garantiją išmetimo valdymo sistemos techninės priežiūros darbus gali vykdyti tik gamintojo įgaliotasis atstovas. Žr. informaciją apie išmetimo sistemos kontrolę.

## Techninės priežiūros tvarkaraštis

Kas 8 valandas arba kiekvieną dieną
<ul style="list-style-type: none"> <li>• Patikrinkite variklio alyvos lygį.</li> <li>• Nuvalykite purvą nuo duslintuvo ir valdiklių.</li> </ul>
Kas 100 valandų arba kas metus
<ul style="list-style-type: none"> <li>• Pakeiskite žvakės.</li> <li>• Pakeiskite variklio alyvą.</li> <li>• Pakeiskite alyvos filtrą (jei sumontuotas).</li> <li>• Atlikite oro filtro techninę priežiūrą<sup>1</sup>.</li> <li>• Išvalykite pirminį filtrą (jei sumontuotas)<sup>1</sup>.</li> <li>• Atlikite išmetimo sistemos techninę priežiūrą.</li> </ul>
Kas 250 valandų arba kas metus
<ul style="list-style-type: none"> <li>• Patikrinkite vožtuvo tarpą. Pareguliuokite, jeigu reikia.</li> </ul>
Kas 400 valandų arba kas metus
<ul style="list-style-type: none"> <li>• Pakeiskite oro filtrą.</li> <li>• Pakeiskite degalų filtrą.</li> <li>• Atlikite variklio aušinimo sistemos techninę priežiūrą<sup>1</sup>.</li> <li>• Išvalykite alyvos aušintuvo briaunas<sup>1</sup>.</li> </ul>

<sup>1</sup> Dirbant dulkėtoje aplinkoje arba ore esant daug dalelių, valyti reikia dažniau.

## Elektroninė degalų įpurškimo sistema (EFI)

EFI sistema stebi variklio temperatūrą, sukimosi greitį ir akumulatoriaus įtampą, varikliui užvesti ir pašildyti. Sistema nereguliuojama. Jei kyla užvedimo ar naudojimo problemų, kreipkitės į įgaliotąjį „Briggs & Stratton“ techninės priežiūros atstovą.

**PASTABA** Vadovaukitės toliau pateiktais nurodymais, priešingu atveju EFI sistema gali neveikti.

- NEBANDYKITE užvesti variklio, jei atsilaisvinę akumulatoriaus laidai.
- Prieš atjungdami, išimdami ir (arba) įdėdami akumulatorių, užvedimo raktelį pasukite į IŠJUNGIMO padėtį.
- NENAUDOKITE akumulatoriaus įkroviklio varikliui užvesti.
- NEATJUNKITE akumulatoriaus laidų varikliui veikiant.
- Prieš atjungdami akumulatoriaus laidus, pirma prie jo prijunkite teigiamo (+), o po to neigiamo (-) poliaus laidą.
- Įkraudami akumulatorių uždegimo jungiklį pasukite į IŠJUNGIMO padėtį ir atjunkite akumulatoriaus neigiamo poliaus (-) laidą.
- NEPURKŠKITE vandens tiesiogiai ant elektroninio valdiklio elemento.

## Elektroninė degalų valdymo sistema

Elektroninė degalų valdymo sistema stebi variklio temperatūrą, jo greitį ir akumulatoriaus įtampą, kad galėtų sureguliuoti sklendę variklį užvedant ir jam išylant. Sistema nereguliuojama. Iškilus užvedimo ar naudojimo problemų, kreipkitės į „Briggs & Stratton“ įgaliotąjį techninės priežiūros atstovą.

**PASTABA** Griežtai vadovaukitės toliau pateiktais nurodymais, priešingu atveju galite pažeisti elektroninę degalų valdymo sistemą.

- NEBANDYKITE užvesti variklio, jei atsilaisvinę akumulatoriaus laidai.
- Prieš prijungdami / atjungdami užvedimo arba akumulatoriaus kabelius, pasukite užvedimo jungiklį į padėtį „IŠJUNGTI“. Akumulatoriaus įkrovimo metu užvedimo jungiklis turi būti padėtyje „IŠJUNGTI“.
- Norėdami atjungti akumulatoriaus kabelius, pirmiausia atjunkite neigiamo poliaus (-) kabelį, o tada teigiamo (+). Norėdami prijungti akumulatoriaus kabelius, pirmiausia prijunkite teigiamo poliaus (+) kabelį, o tada neigiamo (-).
- NENAUDOKITE akumulatoriaus įkroviklio varikliui užvesti.
- NEATJUNKITE akumulatoriaus laidų varikliui veikiant.
- NEPURKŠKITE vandens tiesiogiai ant elektroninio valdiklio elemento.

## Karbiuratorius ir variklio greitis

Nekeiskite karbiuratoriaus, regulatoriaus spyruoklės, jungčių arba kitų dalių, norėdami sureguliuoti variklio greitį. Jeigu reikia pareguliuoti, dėl techninės priežiūros kreipkitės į „Briggs & Stratton“ įgaliotąjį techninės priežiūros atstovą.

### PASTABA

Įrangos gamintojas nustato variklio maksimalų greitį pagal įrangą, kurioje jis yra sumontuotas. Neviršykite šio greičio. Jeigu nesate tikri, koks įrangos maksimalus greitis arba koks variklio greitis yra nustatytas gamykloje, susisiekite su „Briggs & Stratton“ įgaliotuoju techninės priežiūros atstovu. Kad įrangą veiktų saugiai ir tinkamai, variklio greitį turi reguliuoti tik kvalifikuotas techninės priežiūros specialistas.

## Uždegimo žvakės techninė priežiūra

Patikrinkite tarpelį (pav. 12, A) naudodami vielinį matuoklį (B). Jeigu reikia, sureguliuokite uždegimo žvakės tarpelį. Įsukite ir priveržkite uždegimo žvakę nurodytu sukimo momentu. Tarpelis ir sukimo momentas nurodyti skyriuje **Specifikacijos**.

## Išmetimo sistemos techninė priežiūra



### ISPĖJIMAS

**Eksploatavimo metu variklis ir duslintuvas įkaista. Palietus karštą variklį, galima nusideginti.**

**Degios medžiagos, pavyzdžiui, lapai, žolė, krūmai ir kt., gali užsiliepsnoti.**

- Prieš liedsdami variklį ar duslintuvą, išjunkite variklį ir palaukite dvi (2) minutes. Įsitinkinkite, kad saugu liesti variklį ir duslintuvą.
- Pašalinkite nešvarumus nuo duslintuvo ir variklio.

Kalifornijos valstybinių išteklių kodekso 4442 skyrius draudžia naudoti šį variklį mišku, krūmynais ar žole dengtose vietose, jei variklio išmetimo sistemoje neįrengtas kibirkščių gaudiklis, atitinkantis 4442 skyriaus reikalavimus ir yra tinkamas naudoti. Kitose valstijose arba federalinėse jurisdikcijose gali galioti analogiški įstatymai; žr. Federalinį reglamentą 36 CFR, 261.52 punktą. Kreipkitės į originalios įrangos gamintoją, platintoją ar atstovą, kad įsigytumėte kibirkščių gaudiklį, pritaikytą jūsų išmetimo sistemai, įrengtai variklyje.

Nuvalykite purvą aplink duslintuvą ir cilindrą. Patikrinkite duslintuvą, ant jo neturi būti įskilimų, rūdžių arba kitų pažeidimų. Nuimkite duslintuvo kreiptuvą arba kibirkščių slopintuvą, jeigu toks yra, ir patikrinkite, ar nėra pažeistas ar užsikimšęs suodžiais. Jeigu radote pažeidimų, prieš naudodami įrangą, pakeiskite detales.



### ISPĖJIMAS

Keičiamos atsarginės dalys privalo būti to paties dizaino ir sumontuotos į tą pačią padėtį kaip ir originalios dalys. Naudojant kitokias dalis, galima sugadinti įrangą arba susižeisti.

## Variklio alyvos keitimas



### ISPĖJIMAS

**Degalai ir jų garai yra degūs ir sprogūs. Ugnis arba sprogimas gali jus nudeginti arba užmušti.**

**Eksploatavimo metu variklis ir duslintuvas įkaista. Palietus karštą variklį, galima nusideginti.**

- Išleidžiant alyvą iš viršutinio įpylimo vamzdelio, degalų bakas privalo būti tuščias. Jei jis netuščias, gali ištėkėti degalų ir sukelti gaisrą arba sprogimą.
- Prieš liedsdami variklį ar duslintuvą, išjunkite variklį ir palaukite dvi (2) minutes. Įsitinkinkite, kad saugu liesti variklį ir duslintuvą.

Panaudota, sena alyva yra pavojingos atliekos, kurias reikia tinkamai šalinti. Jos negalima šalinti kartu su buitinėmis atliekomis. Dėl saugaus išmetimo tausojant aplinką kreipkitės į vietos valdžios institucijas, techninės priežiūros centrą arba atstovą.

## Alyvos išpylimas

1. IŠJUNKITE variklį ir, kol jis neatvėso, atjunkite uždegimo žvakės laidą (-us) (13 pav., D); laikykite jį toliau nuo uždegimo žvakės (-ių) (E).
2. Išimkite alyvos lygio matuoklį (A, 14, 15 pav.).
3. Išsukite alyvos išleidimo kamštį (F, 16, 17 pav.). Išpilkite alyvą į tinkamą indą.
4. Įstatykite ir užveržkite alyvos išleidimo kamštį (F, 16, 17 pav.).

## Pakeiskite alyvos filtrą (jei sumontuotas)

1. Išleiskite iš variklio alyvą. Žr. skyrių **Išpilkite alyvą**.
2. Nuimkite alyvos filtrą (G, 18, 19 pav.) ir tinkamai utilizuokite.
3. Prieš įdėdami naują alyvos filtrą, šiek tiek patepkite alyvos filtro tarpiklį švaria alyva.

4. Įsukite alyvos filtrą taip, kad filtro tarpinė prisiliestų prie alyvos filtro adapterio, tada dar paveržkite alyvos filtrą nuo 1/2 iki 3/4 apsisukimo.
5. Papildykite alyvos. Žr. skyrių **Alyvos papildymas**.
6. Paleiskite variklį ir leiskite jam veikti. Varikliui išilus, patikrinkite, ar nelaša alyva.
7. Išjunkite variklį. Pasirūpinkite, kad alyvos lygis siektų viršutinę matuoklio pilno bako indikatorius žymą. Žr. skyrių **Alyvos papildymas**.

## Alyvos įpylimas

- Įsitinkinkite, kad variklis yra horizontalus.
- Nuvalykite purvą nuo paviršių aplink alyvos pripildymo angą.
- Duomenis apie alyvos talpą rasite skyriuje **Specifikacijos**.

1. Išimkite alyvos lygio matuoklį (A, 20, 21 pav.). Švaria šluoste nuvalykite alyvą nuo alyvos lygio matuoklio.
2. Lėtai pilkite alyvą į variklio alyvos įpylimo angą (C, 20, 21 pav.). **Neperpildykite.** Palaukite vieną minutę ir patikrinkite alyvos lygį.
3. Įstatykite ir priveržkite lygio matuoklį (A, 20, 21 pav.).
4. Ištraukite matuoklį ir patikrinkite alyvos lygį. Tinkamas alyvos lygis yra lygio matuoklio pilno bako indikatorius viršuje (B, 20, 21 pav.).
5. Įstatykite ir priveržkite lygio matuoklį (A, 20, 21 pav.).
6. Prie uždegimo žvakės (-ių) prijunkite uždegimo žvakės (-ių) laidą (D, 20 pav.).

## Oro filtro techninė priežiūra



### ISPĖJIMAS

**Degalų garai yra degūs ir sprogūs. Ugnis arba sprogimas gali jus nudeginti arba užmušti.**

- Nepaleiskite ir nenaudokite variklio be oro valymo bloko (jei yra) arba oro filtro (jei yra).

### PASTABA

Nevalykite filtro suslėgtu oru arba tirpikliais. Suslėgtas oras gali sugadinti filtrą, o tirpikliai gali jį ištirpinti.

Informacijos apie priežiūros reikalavimus ieškokite **Techninės priežiūros grafike**.

Tam tikruose modeliuose gali būti pasirinktinis pirminis filtras, kurį galima išplauti ir panaudoti dar kartą. Palyginkite paveikslėlius šioje instrukcijoje su jūsų variklyje įdiegtu tipu.

1. **Modeliai be degalų bako:** Atsukite fiksatorių (-ius) (22 pav., A) ir nuimkite dangtelį (B).
2. **Modeliai su degalų baku:** Nuimkite fiksatorių (-ius) (C, 23 pav.) ir dangtį (D).
3. Nuimkite veržlę (D, 22, 23 pav.) ir laikiklį (E).
4. Išimkite oro filtrą (F, 22, 23 pav.).
5. Nuimkite pirminį filtrą (G, 22, 23 pav.), jei yra, nuo oro filtro (F).
6. Norėdami pašalinti nešvarumus, atsargiai pastuksenkite filtrą (F, 22, 23 pav.) į kietą paviršių. Jeigu oro filtras yra stipriai užterštas, pakeiskite jį nauju.
7. Skysta plovimo priemone ir vandeniu nuplaukite pirminį filtrą (G, 22, 23 pav.), jei yra. Palikite pirminį filtrą visiškai išdžiūti ore. **NETEPKITE** pirminio filtro.
8. Uždėkite sausą pirminį filtrą (G, 22, 23 pav.), jei yra, ant oro filtro (F).
9. Įdėkite oro filtrą (F, 22, 23 pav.) ir pritvirtinkite laikikliu (E) bei veržle (D).
10. Uždėkite dangtį (B, 22, 23 pav.).

## Atlikite degalų sistemos techninę priežiūrą



### ISPĖJIMAS

**Degalai ir jų garai yra degūs ir sprogūs. Ugnis arba sprogimas gali jus nudeginti arba užmušti.**

- Saugokite degalus nuo kibirkščių, atviros ugnies, nuolat įjungtų dujų degiklių, šilumos ir kitų uždegimo šaltinių.
- Dažnai tikrinkite, ar degalų žarnos, degalų bakas, degalų dangtelis ir jungtys neįtrūkė ir neprateka. Pakeiskite apgadintas detales.
- Jeigu išsilietų degalai, prieš paleisdami variklį palaukite, kol jie išgaruos.

## Degalų filtras, jei sumontuotas

1. Prieš keisdami degalų filtrą (A, pav. 24), išpilkite degalus iš bako arba uždarykite degalų sklendę. Jei neištuštinsite degalų bako, degalai gali ištėkėti ir sukelti gaisrą arba sprogimą.
2. Replėmis suspauskite gnybtų (C) fiksatorius (B, pav. 24) ir nuimkite gnybtus nuo degalų filtro (A).
3. Pasukite ir ištraukite degalų žarnas (D, pav. 24) nuo degalų filtro.



- Patikrinkite, ar neįtrūkę ir sandarūs degalų vamzdeliai (D, pav. 24). Jei reikia, pakeiskite degalų žarnas.
- Pakeiskite degalų filtrą (A, pav. 24).
- Pritvirtinkite prie gnybtų (C, pav. 24) degalų vamzdelius (D).

## Aušinimo sistemos priežiūra



### ĮSPĖJIMAS

Eksplotavimo metu variklis ir duslintuvas įkaista. Palietus karštą variklį, galima nusideginti.

Gali užsiliepsnoti degios šiukšlės, pavyzdžiui, lapai, žolė ir krūmai.

- Prieš liesdami variklį ar duslintuvą, išjunkite variklį ir palaukite dvi (2) minutes. Įsitinkite, kad saugu liesti variklį ir duslintuvą.
- Pašalinkite nešvarumus nuo duslintuvo ir variklio.

### PASTABA

Valydami variklį nenaudokite vandens. Vanduo gali sukelti degalų sistemos užteršimą. Valykite šepetiu arba sausa šluoste.

Šis variklis yra aušinamas oru. Nešvarumai ar likučiai gali užkimšti oro aušinimo sistemą, dėl ko perkaitęs variklis pradės veikti prasčiau ir trumpės jo eksploatacinis laikotarpis.

- Nešvarumus nuo oro įsiurbimo grotelių pašalinkite šepetėliu arba sausa šluoste.
- Jungtys, spyruoklės ir valdikliai turi būti švarūs.
- Srityje aplink duslintuvą (jei yra) ir už jo neturi būti jokių degių nešvarumų.
- Žiūrėkite, kad alyvos aušintuvo briaunos (jei yra) būtų švarios.

Su laiku ant cilindro aušintuvo briaunų gali prisikaupti nešvarumų, o variklis perkaisti. Šias nepageidaujamas medžiagas įmanoma pašalinti tik iš dalies išardžius variklį. Nuvežkite variklį pas „Briggs & Stratton“ įgaliotąjį techninės priežiūros atstovą, kad patikrintų ir išvalytų oro aušinimo sistemą, kaip rekomenduojama **Techninės priežiūros grafike**.

## Laikymas Degalų sistema

Žr. 25 pav.:



### ĮSPĖJIMAS

Degalai ir jų garai yra degūs ir sprogūs. Ugnis arba sproginimas gali jus nudeginti arba užmušti.

### Degalų laikymas

- Atviri dujų degikliai ar kiti uždegimo šaltiniai gali sukelti sproginimus, todėl degalus ar įrangą laikykite atokiau nuo krosnių, viryklių, vandens šildytuvų ar kitų buitinių prietaisų su atvirais dujų degikliais.

Laikykite variklį horizontaliai (įprastoje darbinėje padėtyje). Į degalų baką (A, 25 pav.) pripilkite degalų. Nepilkite degalų daugiau nei iki bako kaklelio (B).

Ilgiau nei 30 dienų bake laikomi degalai gali pasenti. Rekomenduojame į degalų baką pilti kuro stabilizatoriaus (be alkoholio) ir etanolio, kad degalai išliktų švieži ir jų savybės nepakistų.

Pildami į baką degalus, įpilkite ir degalų stabilizatoriaus (be alkoholio), kaip nurodyta gamintojo instrukcijoje. Jeigu į benzinaž variklyje nebuvo įpilta degalų stabilizatoriaus, išpilkite benzinaž į tinkamą indą. Laikykite variklį įjungtą, kol pasibaigs degalai.

## Variklio alyva

Keiskite variklio alyvą, kol variklis yra šiltas. Žr. skyrių **Variklio alyvos keitimas**.

## Trikčių šalinimas

### Pagalba

Dėl pagalbos kreipkitės į vietinį pardavimo atstovą, apsilankykite **BRIGGSandSTRATTON.COM** arba skambinkite **1-800-444-7774** (JAV).

## Specifikacijos

### Specifikacija ir atsarginės dalys

MODELIAI: 290000, 300000	
Variklio tūris	29.23 col. <sup>3</sup> (479 cm <sup>3</sup> )
Cilindro skersmuo	2.677 col. (68 mm)
Stūmoklio eiga	2.598 col. (66 mm)
Alyvos talpa	46 - 48 unc. (1,36 - 1,42 l)

### MODELIAI: 290000, 300000

Uždegimo žvakės tarpelis	.030 col. (.76 mm)
Uždegimo žvakės sukimo momentas	180 sv.-col. (20 Nm)
Inkaro oro tarpelis – modeliai su karbiuratoriumi	.008 - .012 col. (.20 - .30 mm)
Įsiurbimo vožtuvo tarpelis	.004 - .006 col. (.10 - .15 mm)
Išmetimo vožtuvo tarpelis	.004 - .006 col. (.10 - .15 mm)

### MODELIS: 350000

Variklio tūris	34.78 col. <sup>3</sup> (570 cm <sup>3</sup> )
Cilindro skersmuo	2.835 col. (72 mm)
Stūmoklio eiga	2.756 col. (70 mm)
Alyvos talpa	46 - 48 unc. (1,36 - 1,42 l)
Uždegimo žvakės tarpelis	.030 col. (.76 mm)
Uždegimo žvakės sukimo momentas	180 sv.-col. (20 Nm)
Inkaro oro tarpelis – modeliai su karbiuratoriumi	.008 - .012 col. (.20 - .30 mm)
Įsiurbimo vožtuvo tarpelis	.004 - .006 col. (.10 - .15 mm)
Išmetimo vožtuvo tarpelis	.004 - .006 col. (.10 - .15 mm)

### MODELIS: 380000

Variklio tūris	38.26 col. <sup>3</sup> (627 cm <sup>3</sup> )
Cilindro skersmuo	2.972 col. (75,5 mm)
Stūmoklio eiga	2.756 col. (70 mm)
Alyvos talpa	46 - 48 unc. (1,36 - 1,42 l)
Uždegimo žvakės tarpelis	.030 col. (.76 mm)
Uždegimo žvakės sukimo momentas	180 sv.-col. (20 Nm)
Inkaro oro tarpelis – modeliai su karbiuratoriumi	.008 - .012 col. (.20 - .30 mm)
Įsiurbimo vožtuvo tarpelis	.004 - .006 col. (.10 - .15 mm)
Išmetimo vožtuvo tarpelis	.004 - .006 col. (.10 - .15 mm)

Variklio galia mažėja po 3,5 % kas 1 000 pėdų (300 metrų) virš jūros lygio ir 1 % kas 10 °F (5,6 °C), viršijus 77 °F (25 °C). Variklis tinkamai veiks iki 15° posvyrio. Naudojimo instrukcijoje rasite nurodymus, kaip saugiai dirbti nuokalnėse.

### MODELIAI: 290000, 300000, 350000, 380000

Atsarginė dalis	Dalies numeris
Oro filtras (su degalų baku, 23 pav.)	383857
Oro filtras (išskyrus modelį 380000, 22 pav.)	394018
Oro filtras (modelis, 380000, 22)	692519
Oro filtras, pirminis filtras (su degalų baku, 23 pav.)	271794
Oro filtras, pirminis filtras (išskyrus modelį 380000, 22 pav.)	272490
Oro filtras, pirminis filtras (modelis 380000, 22 pav.)	692520
Alyva – SAE 30	100028
Alyvos filtras	842921
Degalų filtras (su degalų baku)	808116
Degalų filtras (su degalų siurbliu)	845125
Degalų filtras (be degalų siurblio)	298090
Varžinė uždegimo žvakė	491055S
Ilgalaikio naudojimo platininė uždegimo žvakė	696202, 5066K
Uždegimo žvakės raktas	19576S
Kibirkšties tikrintuvas	84003327

Rekomenduojame naudotis „Briggs & Stratton“ įgaliotojo atstovo teikiamomis variklio ir jo dalių techninės priežiūros ir remonto paslaugomis.

## Galios kategorijos

Pavienių benzinių variklių modelių bendrosios galios dydžiai pažymėti pagal SAE (Automobilių inžinerijų bendrija) standartą Nr. J1940 „Mažų variklių galios ir sukimo momento įvertinimo procedūra“ ir įvertinami pagal SAE standartą Nr. J1995. Sukimo momento vertės nustatytos esant 2 600 APM tiems varikliams, kurių ženklavimo etiketėje nurodyta išnaša „apm“, o visiems kitiems varikliams – esant 3 060 APM;



arklio galios vertės nustatytos esant 3 600 APM. Bendrosios galios kreives galima peržiūrėti adresu [www.BRIGGSandSTRATTON.COM](http://www.BRIGGSandSTRATTON.COM). Realūs galios dydžiai nustatyti sumontavus išmetimo ir oro valymo filtrus, o bendrieji galios dydžiai nustatyti be šių priedų. Faktinis bendrasis variklio galingumas yra didesnis nei realusis variklio galingumas, ir, be kitų dalykų, jį veikia darbo aplinkos sąlygos, be to, galingumas priklauso ir nuo pavienių variklių įvairovės. Atsižvelgiant į įvairius gaminius, kuriuose montuojami varikliai, benzininis variklis, sumontuotas elektriniame įrenginyje, neišvystys numatytosios bendrosios galios. Šis skirtumas atsiranda dėl įvairių veiksnų, įskaitant, bet neapsiribojant įvairiomis variklio sudedamosiomis dalimis (oro valymo, išmetimo, krovimo, aušinimo, karbiuratoriaus, degalų filtro ir pan.), naudojimo apribojimais, darbinės aplinkos sąlygomis (temperatūra, drėgnumas, aukščiu virš jūros lygio) ir įvairių variklių variantiškumu. Dėl gamybos ir pajėgumo apribojimų Briggs & Stratton gali pakeisti variklį galingesniu šios klasės varikliu.

## Garantija

### „Briggs & Stratton“<sup>®</sup> variklio garantija

[įgalioja 2022 m. gruodžio mėn.

#### Ribotoji garantija

Bendrovė „Briggs & Stratton“ garantuoja, kad toliau nurodytu garantiniu laikotarpiu vien tik savo nuožūra nemokamai sutaisys bet kokią šio gaminio dalį su medžiagų ir (arba) gamybos defektais arba ją pakeis nauja, atnaujinta arba suremontuota dalimi. Transporto išlaidas už detalių, skirtų remontui ar pakeitimui, pristatymą, vadovaujantis šia garantija, apmoka pirkėjas. Ši garantija galioja toliau nurodytą laikotarpį, esant toliau nurodytoms sąlygoms. Norėdami pasinaudoti garantinės priežiūros paslaugomis, raskite artimiausią įgaliotąjį techninės priežiūros atstovą mūsų atstovybių žemėlapyje adresu [BRIGGSandSTRATTON.COM](http://BRIGGSandSTRATTON.COM). Pirkėjas privalo kreiptis į įgaliotąjį techninės priežiūros atstovą, o tada pristatyti gaminį įgaliotajam techninės priežiūros atstovui apžiūrėti ir patikrinti.

**Jokių kitų garantijų nesuteikiama.** Numanomos garantijos, įskaitant tinkamumo konkrečiam tikslui garantijas, galioja vienus metus nuo pirkimo datos arba tiek, kiek leidžiama pagal įstatymus. Visos kitos numanomos garantijos nesuteikiamos. Atsakomybės už atsitiktinę ar pasekinę žalą atsisakoma tiek, kiek tai leidžiama pagal įstatymus. Tam tikrose valstybėse apribojimai dėl numanomos garantijos draudžiami arba draudžiamos išimties arba apribojimai dėl atsitiktinės arba pasekinės žalos, taigi pirmiau minėtas apribojimas arba išimtis jums gali negaloti. Ši garantija suteikia jums konkrečių juridinių teisių, tačiau jūs galite turėti ir kitokių teisių, kurios įvairiose valstybėse ir šalyse gali skirtis.

Standartinės garantijos sąlygos <sup>1, 2</sup>
<b>„Vanguard“<sup>®</sup>; komercinės paskirties serija</b>
Asmeninis naudojimas – 36 mėnesiai
Komercinis naudojimas – 36 mėnesiai
<b>XR serija</b>
Asmeninis naudojimas – 24 mėnesiai
Komercinis naudojimas – 24 mėnesiai
<b>Visi kiti varikliai su „Dura-Bore“<sup>™</sup> ketaus įvorėmis</b>
Asmeninis naudojimas – 24 mėnesiai
Komercinis naudojimas – 12 mėnesių
<b>Visi kiti varikliai</b>
Asmeninis naudojimas – 24 mėnesiai
Komercinis naudojimas – 3 mėnesiai

<sup>1</sup> Šie garantijos terminai yra standartiniai, kartkartėmis jie gali būti papildyti arba pakeisti nurodant papildomas sąlygas, kurios nebuvo pateiktos leidimo metu. Norėdami sužinoti naujausią informaciją apie jūsų variklio garantijos sąlygas, apsilankykite tinklalapyje [BRIGGSandSTRATTON.com](http://BRIGGSandSTRATTON.com) arba susisiekite su artimiausiu „Briggs & Stratton“ įgaliotuoju techninės priežiūros atstovu.

<sup>2</sup> Garantija nesuteikiama varikliams, sumontuotiems įrangoje, kuri naudojama energijai tiekti darbo vietoje; komerciniais tikslais naudojamuose pagalbinuose generatoriuose, universaliuose transporto priemonėse, viršijančiose 25 MPH, arba varikliams, naudojamiems sportinėms varžyboms ir lenktynėms, arba komerciniuose bei nuomamuose automobiliuose.

\* Australijoje mūsų prekės parduodamos su garantijomis, kurių negalima netaikyti pagal Australijos vartotojų teisių įstatymą. Jūs turite teisę į gaminio pakeitimą arba pinigų grąžinimą rimto gedimo atveju arba atlyginimą už bet kokią pagristai iš anksto numatomą žalą arba nuostolius. Jūs taip pat turite teisę reikalauti, kad prekės būtų suremontuotos arba pakeistos tuo atveju, jeigu prekės yra nepriimtinos kokybės, o gedimas negali būti priskiriamas dideliame gedimui. Norėdami pasinaudoti garantinės priežiūros paslaugomis, raskite artimiausią įgaliotąjį techninės priežiūros atstovą mūsų atstovybių žemėlapyje adresu [BRIGGSandSTRATTON.COM](http://BRIGGSandSTRATTON.COM) arba skambinkite tel. 1300 274 447, arba rašykite el. pašto adresu [salesenquiries@briggsandstratton.com.au](mailto:salesenquiries@briggsandstratton.com.au), arba rašykite įprasto pašto adresu Briggs & Stratton Australia Pty Ltd, 1 Moorebank Avenue, Moorebank, NSW, Australia (Australija), 2170.

Garantinis laikotarpis skaičiuojamas nuo pirkimo datos, kai gaminį nusiperka pirmas mažmenininkas arba galutinis komercinis vartotojas, ir galioja pirmiau lentelėje nurodytą laikotarpį. „Asmeninis naudojimas“ reiškia naudojimą asmeniniame gyvenamajame ūkyje, kai gaminį naudoja mažmeninis vartotojas. „Komercinis naudojimas“ reiškia naudojimą visais kitais tikslais, įskaitant komercinius, pajamų gavimo ar nuomos tikslus. Jeigu variklis buvo nors vieną kartą panaudotas komerciniais tikslais, jis bus priskirtas komercijos tikslais naudojamų variklių kategorijai ir jam bus taikoma atitinkama garantija.

**Norint pasinaudoti „Briggs & Stratton“ ženklo gaminiams taikoma garantija, nereikia jokios garantijos registracijos. Išsaugokite pirkimą patvirtinantį čekį. Jeigu garantinio laikotarpio metu, kai jums prireiks garantinių paslaugų, nepateiksite čekio, įrodančio pirmo pirkimo datą, garantinis laikotarpis bus skaičiuojamas nuo gaminio pagaminimo datos.**

#### Dėl Jūsų garantijos

Šie garantiniai įsipareigojimai galioja tik su varikliu susijusioms nekokybiškoms medžiagoms ir (arba) darbams, o ne įrangos, kurioje variklis sumontuotas, keitimui ar jos kainos grąžinimui. Ši garantija netaikoma planinei techninei priežiūrai, suderinimui, reguliavimui arba įprastam susidėvimui. Taip pat garantija netaikoma, jeigu variklis buvo pakeistas ar perdarytas, arba jeigu variklio serijos numeris buvo pažeistas arba pašalintas. Ši garantija netaikoma variklio gedimams arba veikimo problemoms, atsiradusioms dėl:

1. neoriginalių Briggs & Stratton
2. dėl variklio veikimo esant nepakankamam arba užterštam tepimui arba dėl netinkamo alyvos lygio;
3. pasenusių degalų ar tokių, kurių sudėtyje yra daugiau negu 10 proc. etanolio, arba kitos rūšies degalų, pvz., suskystintų naftos produktų ar gamtinių dujų, kurie nėra tinkami varikliams, sukurtiems arba pagamintiems Briggs & Stratton, naudojimui;
4. patekusio į variklį purvo dėl netinkamos oro filtro techninės priežiūros arba sumontavimo;
5. vejamųjų ašmenų susidūrimo su objektu, atlaisvintųjų arba neteisingai sumontuotųjų ašmenų adapterių, skriemulių arba alkūninio sujungimo dalių, arba pernelgų įtempto diržo;
6. susijusių dalių ar blokų, tokių kaip sankabos, transmisija, valdymo svirtys ir pan., kurių netiekia Briggs & Stratton;
7. perkaitimo, kuris įvyko žolei, purvui patekus ant variklio ir užteršus aušinimo briaunas ir oro angas; ar dėl pažeidimo, kuris buvo padarytas varikliui veikiant be pakankamo aušinimo;
8. papildomos didelės vibracijos, kuri atsirado dėl atsilaisvintųjų variklio tvirtinimų, pjovimo peilių, nebalansuotų skriemulių, netinkamai sujungtų dalių su variklio korpusu arba per didelį greičio;
9. dėl netinkamo įrangos naudojimo, nesant reikiamos priežiūros, transportavimo, saugojimo arba netinkamo variklio sumontavimo.

Garantinį servisą atlieka tik įgaliotieji Briggs & Stratton techninės priežiūros atstovai. Raskite artimiausią įgaliotąjį techninės priežiūros atstovą mūsų atstovybių paieškos žemėlapyje adresu [BRIGGSandSTRATTON.COM](http://BRIGGSandSTRATTON.COM) arba paskambinę telefonu 1-800-444-7774 (JAV).

80114782 (A versija)

## Vispārīga informācija



Šajā rokasgrāmatā tiek sniegta drošības informācija par bīstamību un riskiem, kuri pastāv saistībā ar šo dzinēju, un, kā tos novērst. Tā arī satur instrukcijas dzinēja pareizai lietošanai un apkopei. Ir ļoti svarīgi, lai jūs izlasītu, saprastu un izpildītu šos norādījumus. **Saglabājiet šo rokasgrāmatu turpmākai atsaucei.**

**PIEZĪME:** Visi attēli un apzīmējumi šajā rokasgrāmatā ir tikai informācijai, un var atšķirties no jūsu modeļa. Izmantojiet attēlus, kas atbilst jūsu dzinēja konfigurācijai. Ja nepieciešams, runājiet ar autorizētu servisa pārstāvi.

Pierakstiet iegādes datumu, dzinēja modeli, tipu, apdari un dzinēja sērijas numuru, lai varētu iegādāties rezerves daļas. Šie numuri ir uz jūsu dzinēja. Skatīt sadaļu **Funkcijas un vadības ierīces**.

<b>Pirkuma datums</b>	
<b>Dzinēja modelis - Tips - Koda numurs</b>	
<b>Motora sērijas numurs</b>	

## Eiropas biroja kontaktinformācija

Par jautājumiem, kas saistīti ar emisijām Eiropā, sazināties ar mūsu Eiropas biroju, kura adrese ir:

Max-Born-Straße 2, 68519 Viernheim, Vācija.

## Eiropas Savienība (ES) V (5.) posms: Oglekļa dioksīda (CO2) vērtības

Meklēšanas lodziņā vietnē BriggsandStratton.com ievadiet CO2, lai atrastu Briggs & Stratton ES tipa apstiprinājuma sertifikāta motoru oglekļa dioksīda vērtības.


## Otrreizējās pārstrādes informācija



Pārstrādāt visus kartona iepakojumus, kastes, atstrādāto eļļu un akumulatorus, kā norādīts saistošajos noteikumos.

## Operators drošība

### Drošības brīdinājuma zīmes un signālvārdi

Drošības brīdinājuma simbols  tiek lietots, lai norādītu uz drošības informāciju par riskiem, kas varētu izraisīt traumas. Signālvārdi (**BĪSTAMI**, **BRĪDINĀJUMS** vai **PIESARDZĪGI**) tiek izmantoti, lai pievērstu uzmanību, ka pastāv attiecīgas bīstamības traumas risks. Papildus tiek izmantota arī apdraudējuma zīme attiecīgas apdraudējuma pakāpes apzīmēšanai.







**BĪSTAMI** norāda uz apdraudējumu, kurš, ja no tā neizvairīsies, **izraisīs** nāvi vai nopietnu ievainojumu.




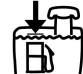
**BRĪDINĀJUMS** norāda uz apdraudējumu, kurš, ja no tā neizvairīsies, **var izraisīt** nāvi vai nopietnu ievainojumu.

**PIESARDZĪBU** norāda uz risku, kas **gadījumā, ja netiek novērsts, var būt viegls vai vidēji smags ievainojumu cēlonis**.

**IEVĒRĪBAI** norāda informāciju, kas tiek uzskatīta par svarīgu, taču nav saistīta ar risku.

### Bīstamības simboli un to nozīme

	Drošības informācija par bīstamām situācijām, kuru rezultātā var gūt miesas bojājumus.		Pirms sākat strādāt ar šo iekārtu vai tās apkopi, uzmanīgi izlasiet un izprotiet šo operatora rokasgrāmatu.
	Ugunsbīstamība		Sprādziena bīstamība
	Trieciena apdraudējums		Toksisku dūmu bīstamība

	Karstas virsmas bīstamība		Atsietena apdraudējums
	Amputācijas apdraudējums – kustīgas daļas		Degvielas līmenis – maksimums Nepārpildīt tvertni

## Drošības paziņojumi

### BRĪDINĀJUMS

Briggs & Stratton® motori nav paredzēti turpmāk norādītajai lietošanai un tos nedrīkst lietot, lai darbinātu izprieču kartingus, gokartus, bērnu, atpūtas vai sporta bezceļu transportlīdzekļus (ATV), motociklus, transportlīdzekļus ar gaisa spilvenu, lidojošas iekārtas vai transportlīdzekļus, kurus izmanto sacensībās, ko nav sankcionējis Briggs & Stratton. Papildu informācijai par auto sacensību produktiem, skatīt [www.briggsracing.com](http://www.briggsracing.com). Lietošanai ar apvidus automašīnām un paralēlo rindu apvidus automašīnām, lūdz sazināties ar Briggs & Stratton Power Application Center, 1-866-927-3349. Nepareiza motora lietošana var izraisīt smagas traumas vai nāvi.

### BRĪDINĀJUMS

Degviela un tās tvaiki ir viegli uzliesmojoši un sprādzienbīstami. Aizdegšanās vai sprādziens varētu izraisīt apdegumus vai nāvi.

#### Kad pieliet degvielu

- Apstādiniet dzinēju. Pirms noņemt degvielas tvertnes vāciņu, pagaidīt vismaz divas (2) minūtes, lai pārliecinātos, ka motors ir atdzisis.
- Uzpildīt degvielas tvertni ārā vai zonā, kur ir laba gaisa plūsma.
- Neiepildīt degvielas tvertne pārāk daudz degvielas. Lai degviela varētu izplesties, neuzpildīt augstāk par degvielas tvertnes kakliņa apakšmalu.
- Degvielas tuvumā nedrīkst būt dzirksteles, atklātas liesmas, signāllampiņas, siltuma avoti vai citi aizdegšanās avoti.
- Bieži pārbaudīt degvielas šļūtenes, degvielas tvertni, degvielas tvertnes vāciņu un savienojumus, vai tajos nav plaisu vai sūču. Nomainīt bojātās daļas.
- Ja degviela izlīst, pagaidiet līdz tā izžūst pirms Jūs iedarbināt motoru.

#### Kad iedarbināt motoru:

- Pārliecinieties, ka aizdedzes svece, slāpētājs, degvielas tvertnes vāciņš un gaisa filtrs (ja ir aprīkojumā) ir pareizi uzstādīti.
- Neiedarbiniet dzinēju, ja nav pieslēgta aizdedzes svece.
- Ja motors ir pārpludināts, iestatīt droseļi (ja aprīkojumā) stāvoklī ATVĒRTA vai DARBOJAS. Pārviļiet droseļvārstu (ja ir aprīkojumā) stāvoklī ĀTRI un ieslēgt līdz motors iedarbojas.
- Neiedarbināt motoru, ja tuvumā ir dabasgāzes vai šķidrā propāna gāzes noplūde.
- Tā kā tvaiki ir viegli uzliesmojoši, neizmantojot saspiestus iedarbināšanas šķidrumus.

#### Kad strādājat ar iekārtu

- Nesagāzt motoru vai iekārtu tādā leņķī, kas izraisa degvielas izlīšanu.
- Nekad nenoslāpēt motoru ar karburatora (ja ir aprīkojumā) droseļēšanas palīdzību.
- Nekad neiedarbināt un nedarbināt motoru ar noņemtu gaisa attīrītāju (ja ir aprīkojumā) vai gaisa filtru (ja ir aprīkojumā).

#### Kad veicat apkopi

- Ja eļļa tiek izvadīta izmantojot augšējo eļļas uzpildes cauruli, degvielas tvertnei jābūt tukšai. Ja tā nav tukša, degviela var izplūst un var izraisīt aizdegšanos vai sprādzienu.
- Ja apkopes laikā nepieciešams sagāzt iekārtu slīpi, pārliecinieties, ka degvielas tvertne, ja uzstādīta uz motora, ir tukša un aizdedzes sveces puse ir vērsta uz augšu. Ja degvielas tvertne nav tukša, tā var izplūst un var izraisīt aizdegšanos vai sprādzienu.
- Bieži pārbaudīt degvielas šļūtenes, degvielas tvertni, degvielas tvertnes vāciņu un savienojumus, vai tajos nav plaisu vai sūču. Nomainīt bojātās daļas.
- Nomainīt regulatora atsperi, atsaites vai citas daļas, lai palielinātu motora ātrumu.
- Nesist pa spararatu ar āmuru vai citu cietu priekšmetu. Tas var izraisīt spararata darbības kļūmes iekārtas darbības laikā.
- Rezerves daļām jābūt vienādas konstrukcijas un uzstādītām tajā pašā vietā, kur oriģinālās daļas. Citām detaļām varētu tikt izraisīti bojājumi vai izraisīta trauma.

### Kad iekārta tiek pārvietota

- Pārliedzināties, ka degvielas tvertne ir TUKŠA vai degvielas slēgvārsts ir stāvoklī CIET.

### Ja iekārta tiek uzglabāta ar degvielu tvertne

- Tā kā signāllampīnas vai citi aizdedzšanās avoti var izraisīt sprādzienu, turēt degvielu vai iekārta drošā attālumā no kurtuvēm, krāsnīm, boileriem un citām līdzīgām ierīcēm, kurām ir signāllampīnas.



### BRĪDINĀJUMS

Degviela un tās tvaiki ir viegli uzliesmojoši un sprādzienbīstami. Aizdedzšanās vai sprādziens varētu izraisīt apdegumus vai nāvi.

### Motora iedarbināšana rada dzirksteles, kas var izraisīt aizdedzanos vai sprādzienu.

- Neiedarbināt motoru, ja tuvumā ir dabasgāzes vai šķidrā propāna gāzes noplūde.
- Tā kā tvaiki ir viegli uzliesmojoši, neizmantot saspiestus iedarbināšanas šķidrumus.



### BRĪDINĀJUMS

**INDĪGAS GĀZES BĪSTAMĪBA.** Dzinēja izplūdes gāzes satur tvana gāzi, tā ir indīga gāze, kas var nogalināt jūs dažās minūtēs. Pat, ja nevarat saost izplūdes dūmus, pastāv iespējamiība, ka uz Jums iedarbojas tvana gāze. Ja jūtat nelabumu, reiboni vai vājumu, kad lietojat iekārta, NEKAVĒJOTIES izslēdziet to un izejiet svaigā gaisā. Sazinieties ar ārstu. Iespējams, jums ir saindēšanās ar tvana gāzi.

- Telpās tvana gāze var sakrāties. Lai samazinātu risku, ka tvana gāze varētu sakrāties un iekļūt dzīvojamās telpās, lietot iekārta TIKAI ārpus telpām, tālu no mājas logiem, durvīm vai ventilācijas lūkām.
- Atbilstoši ražotāja instrukcijām uzstādīt tvana gāzes signalizatorus ar baterijām vai no ligzdas barojamus tvana gāzes signalizatorus ar bateriju rezerves barošanu. Dūmu detektori nevar noteikt tvana gāzi.
- NEDARBINĀT šo produktu mājās, garāžā, pagrabā, tehniskajos starpstāvos, šķūnī vai citā slēgtā telpā, pat ja izmantojat ventilatorus vai atverat durvis un logus, lai nodrošinātu ventilāciju. Pēc šī produkta lietošanas tvana gāze var ātri sakrāties šajās vietās un palikt tur stundām ilgi.
- VIENMĒR novietot produktu pa vējam un vērst motora izplūdes gāzes prom no apdzīvotām telpām.



### BRĪDINĀJUMS

Ātra startera auklas ierakšana atpakaļ (atsitiens) var paraut plaukstu un roku uz motora pusi ātrāk nekā varēsīt palaist to vaļā. Tā rezultātā iespējami laužti kauli, plīsumi, zilumi (sitienu pēdas) vai sastiepumi.

- Lai izvairītos no atsitiens, kad iedarbiniet motoru, lēnām velciet startera auklu līdz sajūtat pretestību, tad paraujiet strauji.
- Pirms motora iedarbināšanas atvienojiet vai noņemiet visas ārējās iekārtas/ motora noslodzi.
- Pārliedzināties, ka tieši pievienotās iekārtas sastāvdaļas, piemēram, bet ne tikai, asmeņi, spānu rati, trīši un zobrati u.c. ir droši piestiprināti.



### BRĪDINĀJUMS

Rotējošās daļas var ievilkēt rokas, kājas, matus, apģērbu vai piederumus un izraisīt traumatisku amputāciju vai plēstas brūces.

- Darbināt iekārta ar pareizi uzstādītiem aizsardzības elementiem.
- Turiet rokas un kājas atstātas no rotējošām daļām.
- Noņemot rotaslietas un pārliedzināties, ka gari mati nav rotējošu daļu tuvumā.
- Nevalkā vaļīgas drēbes vai lietas, kas varētu tikt ierautas.



### BRĪDINĀJUMS

Darbības laikā motors un slāpētājs kļūst karsti. Aizskarot karstu motoru, var rasties termiski apdegumi.

### Tādi degoši materiāli kā nokritušas koka lapas, zāle un krūmāji var uzliesmot.

- Pirms aizskarot motoru vai slāpētāju, apturiet dzinēju un pagaidiet divas (2) minūtes. Pārliedzināties, ka motoram un slāpētājam var droši pieskarties.
- Notīrīt nefirumus no slāpētāja un motora.

Tas klasificējas kā Kalifornijas Publisko resursu likuma, sadaļas 4442, pārkāpums: izmantot dzinēju meža, krūmu vai zāles klātās teritorijās, ja izplūdes sistēma nav aprīkota ar dzirksteļu uztvērēju, kā norādīts sadaļā 4442, un tas netiek pienācīgi apkopts. Citos štatos vai federālajās jurisdikcijās var būt līdzīgi likumi; atsaucē uz Federālo noteikumu 36 CFR, 261.52. daļu. Sazinieties ar ražotāju, mazumtirgotāju vai

izplatītāju, lai iegūtu dzirksteļu uztvērēju, kas paredzēts izplūdes sistēmai, kas uzstādīta šim dzinējam.



### BRĪDINĀJUMS

Nejaušas dzinēja sveces dzirksteles var izraisīt elektriskās strāvas triecienu, aizdedzanos vai sprādzienu un izraisīt ievilkšanu, traumatisku amputāciju vai plēstas brūces.

### Pirms veicat pielāgojumus vai labošanu:

- Atvienojiet visus aizdedzēšanas sveces vadus un turiet tos atstātos no aizdedzēšanas svečēm.
- Atvienojiet akumulatora vadu no negatīvās akumulatora spaiļes (tikai dzinējiem ar elektrisko iedarbināšanu).
- Izmantot tikai pareizus instrumentus.

### Kad pārbaudat dzirksteli:

- Lietojiet tikai sertificētos aizdedzēšanas sveču testerus.
- nepārbaudīt dzirksteli ar izņemtu aizdedzēšanas sveci.



### BRĪDINĀJUMS

Degvielas tvaiki ir uzliesmojoši un sprādzienbīstami. Aizdedzšanās vai sprādziens varētu izraisīt apdegumus vai nāvi.

### Ja saozāt gāzi

- Neiedarbināt motoru.
- Neieslēgt elektriskos slēdžus.
- Nelietot tālrūni darba vietas tuvumā.
- Atstājiet šo vietu.
- Sazinieties ar gāzes piegādātāju vai ugunsdzēsējiem.

## Funkcijas un vadības ierīces Dzinēja vadības elementi

Salīdziniet marķējuma burtus attēlos 1, 2, 3 un 4 ar motora vadības ierīcēm turpmākajā sarakstā.

- Dzinēja identifikācijas numuri **Modelis - Veids - Kods**
- Aizdedzēšanas svece
- Gaisa filtrs (bez degvielas tvertnes)
- Gaisa filtrs (ar degvielas tvertni)
- Mērstienis
- Eļļas ietilpības atvere
- Eļļas filtrs (ja uzstādīts)
- Eļļas iztecināšanas aizbāznis
- Eļļas spiediena sensors
- Pirkstu aizsargs
- Elektriskais starteris
- Atīšanas palaide (ja uzstādīta)
- Karburators - Karburatora modeļi
- Slāpētājs
- Degvielas sūkņi
- Startera slēdzis<sup>1</sup>
- Drošes vadība<sup>1</sup>
- Gaisa vārsta vadība<sup>1</sup>
- Degvielas filtrs (ja uzstādīts)
- Degvielas tvertne
- Degvielas slēgvārsts (ja uzstādīts)<sup>1</sup>
- Apturēšanas slēdzis (ja uzstādīts)<sup>1</sup>
- Eļļas dzesētājs (ja uzstādīts)
- Degvielas sūkņa modulis - EFI modeļi
- Elektroniskais vadības modulis - EFI modeļi
- Degvielas inžektors - EFI modeļi

<sup>1</sup> Dažiem dzinējiem un aprīkojumam ir tālvadības ierīces. Par tālvadības izvietošanu un darbināšanu skatīt iekārta rokasgrāmatu.

## Dzinēja vadības simboli un to nozīme

Motora ātrums – ĀTRI	Motora ātrums – LĒNI
Motora ātrums – APTURĒT	IESLĒGTS/IZSLĒGTS
Dzinēja palaišana Drosele CIET	Dzinēja palaišana Drosele ATVĒRTA
Degvielas iepildes vāciņš Degvielas slēgvārsts ATVĒRTS	Degvielas slēgvārsts CIET

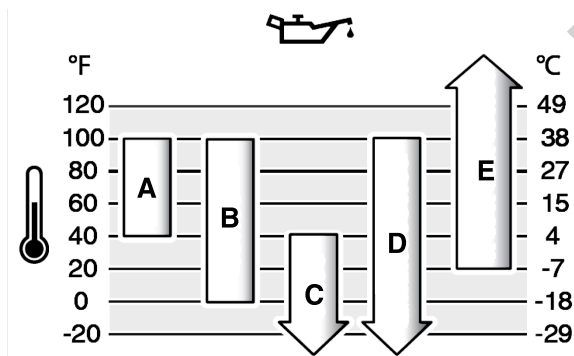
## Ekspluatācija

### Ar eļļu saistītie ieteikumi

Eļļas ietilpība: Skatīt sadaļu *Specifikācijas*.

Vislabākajam sniegunam mēs iesakām lietot Briggs & Stratton® garantijas prasībām atbilstošas sertificētās eļļas. Atļauts lietot citas augstas kvalitātes eļļas ar mazgājošām piedevām, ja eļļas servisa klase ir SF, SG, SH, SJ vai augstāka. Neizmantojiet speciālās piedevas.

Izmantojiet tabulu, lai izvēlētos labāko viskozitāti paredzamajam ārējai temperatūras diapazonam. Ar 5W-30 sintētisko eļļu labi strādā dzinēji vairumam iekārtu, kas paredzētas darbam ārpus telpām. Iekārtām, kas darbojas augstā temperatūrā, vislabāko aizsardzību nodrošina Vanguard® 15W-50 sintētiskā eļļa.



A	SAE 30 – SAE 30 lietošana zem 40 °F (4 °C) apgrūtinās iedarbināšanu.
B	10W-30 – 10W-30 lietošana virs 80 °F (27 °C) var palielināt eļļas patēriņu. Bieži pārbaudiet eļļas līmeni.
C	5W-30
D	Sintētiskā 5W-30
E	Vanguard® sintētiskā 15W-50

## Pārbaudiet eļļas līmeni

Pirms pārbaudāt vai pieļējat eļļu

- Pārliedzieties, ka dzinējs ir horizontāli.
- Attīrīt eļļas uzpildes zonu no gružiem.
- Skatīt eļļas uzpildes daudzumu sadaļā *Specifikācijas*.

### IEVĒRĪBAI

Šis dzinējs tiek piegādāts no Briggs & Stratton bez eļļas. Iekārtas ražotāji vai izplatītāji var būt pieliejuši motoram eļļu. Pirms pirmo reizi iedarbināt motoru pārliedzieties, ka eļļa ir pareizā līmenī. Pievienot eļļu, kā norādīts šīs rokasgrāmatas instrukcijās. Ja iedarbināt motoru bez eļļas, motors tiks sabojāts un to nevarēs labot, izmantojot garantiju.

1. Izņemt mērstieni (A, attēls 5) un noslaukiet ar drānu.
2. Ievietojiet atpakaļ un pievelciet mērstieni (A, attēls 5)
3. Izņemiet mērstieni un pārbaudiet eļļas līmeni. Pārliedzieties, ka eļļas līmenis ir pilnās tvertnes indikatora augšpusē (B, attēls 5) uz mērstiņa.
4. Ja eļļas līmenis ir zems, lēnām pieļējat eļļu motoreļļas iepildīšanas atverē (C, attēls 5). Neieliet pārāk daudz eļļas.

5. Pēc eļļas ieliešanas, pagaidiet vienu minūti un tad pārbaudiet eļļas līmeni. Pārliedzieties, ka eļļas līmenis ir pareizs.
6. Ievietojiet atpakaļ un pievelciet mērstieni (A, attēls 5)

## Zema eļļas līmeņa aizsardzības sistēma (ja uzstādīta)

Dažiem motoriem ir uzstādīts zema eļļas līmeņa sensors. Ja eļļas līmenis būs zems, sensors rādīs brīdinājumu gaismu vai apturēs dzinēju. Apturiet dzinēju un veiciet norādītās darbības pirms iedarbināt dzinēju.

- Pārliedzieties, ka dzinējs ir horizontāli.
- Veikt eļļas pārbaudi. Skatīt sadaļu *Pārbaudiet eļļas līmeni*.
- Ja eļļas līmenis ir zems, pievienot pareizu eļļas daudzumu. Iedarbiniet dzinēju un pārliedzieties, ka neiedegas brīdinājuma gaisma (ja ir aprikojumā).
- Ja eļļas līmenis nav zems, neiedarbināt motoru. Sazinieties ar Briggs & Stratton autorizētu servisa pārstāvi, lai novērstu eļļas problēmas.

## Ieteikumi par degvielu

Degvielai jābūt atbilstoši šādām prasībām:

- Tīrs, svaigs, bezsvina benzīns.
- Oktānskaitlis vismaz 87/87 AKI (91 RON). Lietošana lielā augstumā, skatīt zemāk.
- Ir atļauts benzīns ar līdz 10% etanola (gasohols).

### IEVĒRĪBAI

Neizmantojiet neapstiprinātu benzīnu, piemēram, E15 vai E85. Neiemaisīt eļļu benzīnā, kā arī nomainīt motoru darbam ar citu degvielu. Neapstiprinātu degvielu izmantošana var sabojāt motora sastāvdaļas, un šos bojājumus garantija nesedz.

Lai aizsargātu degvielas sistēmu no sveķu veidošanās un korozijas, pieļaujiet degvielai spirtu nesaturošu degvielas stabilizētāju un piedevu spirtu saturošai degvielai. Skatīt sadaļu *Uzglabāšana*. Visas degvielas nav vienādas. Ja parādās iedarbināšanas vai snieguma problēmas, nomainīt degvielas piegādātāju vai zīmolus. Šis dzinējs ir sertificēts darbam ar benzīnu. Karburatora motora emisiju kontroles sistēma ir EM (motora modifikācija). Motoriem ar elektronisko degvielas iesmidzināšanu emisiju kontroles sistēmas ir ECM (motora vadības modulis), MFI (degvielas iesmidzināšana vairākās pieslēgvietās), TBI (droseļvārsta korpusa degvielas iesmidzināšana) un O2S (skābekļa sensors), ja aprikojots.

### Liels augstums

Augstāk par 5000 pēdām (1524 metriem) ir atļauts izmantot benzīnu, kura oktānskaitlis ir vismaz 85/85 AKI (89 RON).

Dzinējiem ar karburatoriem jāveic pielāgošana lieliem augstumiem, lai saglabātu veikumu. Bez šiem pielāgojumiem iekārtas veikums samazinās, bet degvielas patēriņš un izmešu daudzums palielinās. Sazinieties ar pilnvarotu Briggs & Stratton servisa pārstāvi, lai iegūtu informāciju par liela augstuma pielāgojumiem. Dzinēja darbināšana augstumā, kas mazāks par 2500 pēdām (762 metriem) v.j.l., liela augstuma komplektācijā nav ieteicama.

Dzinējiem ar elektronisko degvielas iesmidzināšanas sistēmu (EFI) augstkalnu iestatījumi nav nepieciešami.

## Pielejiet degvielu



### BRĪDINĀJUMS

Degviela un tās tvaiki ir viegli uzliesmojoši un sprādzienbīstami. Aizdegšanās vai sprādziens varētu izraisīt apdegumus vai nāvi.

### Kad pieliet degvielu

- Apstādiniet dzinēju. Pirms noņemt degvielas tvertnes vāciņu, pagaidīt vismaz divas (2) minūtes, lai pārliedzietos, ka motors ir atdzisis.
- Uzpildīt degvielas tvertni ārā vai zonā, kur ir laba gaisa plūsma.
- Neiepildīt degvielas tvertne pārāk daudz degvielas. Lai degviela varētu izplesties, neuzpildīt augstāk par degvielas tvertnes kakliņa apakšmalu.
- Degvielas tuvumā nedrīkst būt dzirksteles, atklātas liesmas, signāllampiņas, siltuma avoti vai citi aizdegšanās avoti.
- Bieži pārbaudīt degvielas šļūtenes, degvielas tvertni, degvielas tvertnes vāciņu un savienojumus, vai tajos nav plaisu vai sūču. Nomainīt bojātās daļas.
- Ja degviela izlīst, pagaidiet līdz tā izžūst pirms Jūs iedarbināt motoru.

1. Notīriet degvielas tvertnes vāciņa apkārtni no netīrumiem un gružiem. Noņemiet degvielas tvertnes vāciņu.
2. Uzpildīt degvielas tvertni (A, attēls 6) ar degvielu. Tā kā degviela izplešies, neuzpildīt augstāk par degvielas tvertnes kakliņu (B).
3. Uzlieciet degvielas tvertnes vāciņu.

## Iedarbiniet dzinēju



### BRĪDINĀJUMS

Nejaudas dzinēja sveces dzirksteles var izraisīt elektriskās strāvas triecienus, aizdegšanos vai sprādzienu un izraisīt ievilkšanu, traumatisku amputāciju vai plēstas brūces.

#### Pirms veicat pielāgojumus vai labošanu:

- Atvienojiet visus aizdedzes sveces vadus un turiet tos atstātus no aizdedzes svecēm.
- Atvienojiet akumulatora vadu no negatīvās akumulatora spaiļes (tikai dzinējiem ar elektrisko iedarbināšanu).
- Izmantojiet tikai pareizus instrumentus.

#### Kad pārbaudat dzirksteli:

- Lietojiet tikai sertificētos aizdedzes sveču testerus.
- nepārbaudīt dzirksteli ar izņemtu aizdedzes sveci.



### BRĪDINĀJUMS

Ātra startera auklas ieraušana atpakaļ (atsitiens) var paraut plaukstu un roku uz motora pusi ātrāk nekā varēsīt palaist to vaļā. Tā rezultātā iespējami laužti kauli, plīsumi, zilumi (sitienu pēdas) vai sastiepumi.

- Lai izvairītos no atsitienu, kad iedarbiniet motoru, lēnām velciet startera auklu līdz sajūtat pretestību, tad paraujiet strauji.
- Pirms motora iedarbināšanas atvienojiet vai noņemiet visas ārējās iekārtas/motora noslodzi.
- Pārliedzieties, ka tieši pievienotās iekārtas sastāvdaļas, piemēram, bet ne tikai, asmeņi, spānu rati, trīši un zobrati u.c. ir droši piestiprināti.



### BRĪDINĀJUMS

INDĪGAS GĀZES BĪSTAMĪBA. Dzinēja izplūdes gāzes satur tvana gāzi, tā ir indīga gāze, kas var nogalināt jūs dažās minūtēs. Pat, ja nevarat saost izplūdes dūmus, pastāv iespējama, ka uz jums iedarbojas tvana gāze. Ja jūtat nelabumu, reiboni vai vājumu, kad lietojat iekārtu, NEKAVĒJOTIES izslēdziet to un izejiet svaigā gaisā. Sazinieties ar ārstu. Iespējams, jums ir saindēšanās ar tvana gāzi.

- Telpās tvana gāze var sakrāties. Lai samazinātu risku, ka tvana gāze varētu sakrāties un iekļūt dzīvojamās telpās, lietot iekārtu TIKAI ārpus telpām, tālu no mājas logiem, durvīm vai ventilācijas lūkām.
- Atbilstoši ražotāja instrukcijām uzstādiet tvana gāzes signalizatorus ar baterijām vai no ligzdas barojamus tvana gāzes signalizatorus ar bateriju rezerves barošanu. Dūmu detektori nevar noteikt tvana gāzi.
- NEDARBINĀT šo produktu mājās, garāžā, pagrabā, tehniskajos starpstāvos, šķūnī vai citā slēgtā telpā, pat ja izmantojat ventilatorus vai atverat durvis un logus, lai nodrošinātu ventilāciju. Pēc šī produkta lietošanas tvana gāze var ātri sakrāties šajās vietās un palikt tur stundām ilgi.
- VIENMĒR novietot produktu pa vējam un vērst motora izplūdes gāzes prom no apdzīvotām telpām.

#### IEVĒRĪBAI

Šis dzinējs tiek piegādāts no Briggs & Stratton bez eļļas. Iekārtas ražotāji vai izplatītāji var būt pieliejuši motoram eļļu. Pirms pirmo reizi iedarbināt motoru pārliedzieties, ka eļļa ir pareizā līmenī. Pievienot eļļu, kā norādīts šīs rokasgrāmatas instrukcijās. Ja iedarbināt motoru bez eļļas, motors tiks sabojāts un to nevarēs labot, izmantojot garantiju.

**PIEZĪME:** Jūsu iekārtai var būt tālvadība. Par tālvadības izvietošanu un darbināšanu skatīt iekārtas rokasgrāmatu.

#### Palaides sistēmu veidi

Pirms iedarbināt dzinēju, jums jānoskaidro, kāda ir jūsu dzinēja iedarbināšanas sistēma. Jūsu dzinējam ir viens no šiem sistēmu veidiem.

- **Elektroniskā degvielas iesmidzināšanas (EFI) sistēma** EFI sistēmai nav gaisa vārsta vai degvielas sūkniša.
- **Elektroniskā degvielas vadības sistēma:** Elektroniskās degvielas padeves vadības sistēmai ir elektroniskais vadības bloks, kas seko dzinēja stāvoklim un temperatūrai. Nav manuālas droseles vai degvielas sūkniša.
- **Gaisa vārsta sistēma.** Šī veida sistēmai ir gaisa vārsts izmantošanai zemās temperatūrās. Daži modeļi var būt aprīkoti ar atsevišķu gaisa vārsta vadību, kamēr citiem ir gaisa vārsta un droseļvārsta kombinācija. Šī tipa sistēmai nav degvielas sūkniša.

### Elektroniskā degvielas iesmidzināšanas (EFI) sistēma

1. Pārbaudiet dzinēja eļļu. Skatīt sadaļu **Pārbaudiet eļļas līmeni**.
2. Pārliedzieties, ka iekārtas piedziņas vadības elementi, ja ierīkoti, ir atvienoti.
3. Pārvietot degvielas slēgvārstu (A, attēls 7), ja ir aprīkojumā, stāvoklī ATVĒRTS.
4. Nospiediet apturēšanas slēdzi (F, attēls 7, 8), ja tāds ir aprīkojumā, pozīcijā IESLĒGTS.

5. Virziet droseles vadību (B, Attēls 8), ja ir aprīkojumā, uz ĀTRI stāvokli. Darbiniet dzinēju stāvoklī ĀTRI.
6. **Iedarbināšana ar iegriežamo starteri, ja aprīkojumā ietilpst atslēga:** Pagrieziet slēdzi ar atslēgu (D, attēls 7, 8) uz pozīciju IESLĒGTS.
7. **Iegriežamais starteris (Rewind Start), ja ierīkots.** Stingri satvert startera auklas rokturi (E, attēls 7, 8). Lēnām velciet startera auklas rokturi, līdz sajūtamata pretestība, tad ātri paraujiet.



### BRĪDINĀJUMS

Ātra startera auklas ieraušana atpakaļ (atsitiens) var paraut plaukstu un roku uz motora pusi ātrāk nekā varēsīt palaist to vaļā. Tas var izraisīt kaulu lūzumus, plīsumus, zilumu vai saišu sastiepumus. Lai izvairītos no atsitienu, kad iedarbiniet motoru, lēnām velciet startera auklu līdz sajūtat pretestību, tad paraujiet strauji.

8. **Elektriskā iedarbināšana, ja ir uzstādīta:** Pagrieziet elektriskās iedarbināšanas slēdzi (D, attēls 7, 8) pozīcijā IESLĒGTS vai IEDARBINĀT.

**IEVĒRĪBAI** Lai pagarinātu startera darbību, veiciet īsus iedarbināšanas ciklus (maksimāli piecas sekundes). Starp iedarbināšanas cikliem pagaidīt vienu minūti.

Ja dzinējs pēc 3 vai 4 mēģinājumiem neiedarbojas, sazinieties ar vietējo izplatītāju, atveriet [vanguardpower.com](http://vanguardpower.com) vai zvaniet 1-800-999-9333.

### Elektroniskā degvielas vadības sistēma

1. Pārbaudiet dzinēja eļļu. Skatīt sadaļu **Pārbaudiet eļļas līmeni**.
2. Pārliedzieties, ka iekārtas piedziņas vadības elementi, ja ierīkoti, ir atvienoti.
3. Pārvietot degvielas slēgvārstu (A, attēls 7), ja ir aprīkojumā, stāvoklī ATVĒRTS.
4. Nospiediet apturēšanas slēdzi (F, attēls 7, 8), ja tāds ir aprīkojumā, pozīcijā IESLĒGTS.
5. Virziet droseles vadību (B, Attēls 8), ja ir aprīkojumā, uz ĀTRI stāvokli. Darbiniet dzinēju stāvoklī ĀTRI.
6. **Iedarbināšana ar iegriežamo starteri, ja aprīkojumā ietilpst atslēga:** Pagrieziet slēdzi ar atslēgu (D, attēls 7, 8) uz pozīciju IESLĒGTS.
7. **Iegriežamais starteris (Rewind Start), ja ierīkots.** Stingri satvert startera auklas rokturi (E, attēls 7, 8). Lēnām velciet startera auklas rokturi, līdz sajūtamata pretestība, tad ātri paraujiet.



### BRĪDINĀJUMS

Ātra startera auklas ieraušana atpakaļ (atsitiens) var paraut plaukstu un roku uz motora pusi ātrāk nekā varēsīt palaist to vaļā. Tas var izraisīt kaulu lūzumus, plīsumus, zilumu vai saišu sastiepumus. Lai izvairītos no atsitienu, kad iedarbiniet motoru, lēnām velciet startera auklu līdz sajūtat pretestību, tad paraujiet strauji.

8. **Elektriskā iedarbināšana, ja ir uzstādīta:** Pagrieziet elektriskās iedarbināšanas slēdzi (D, attēls 7, 8) pozīcijā IESLĒGTS vai IEDARBINĀT.

**IEVĒRĪBAI** Lai pagarinātu startera darbību, veiciet īsus iedarbināšanas ciklus (maksimāli piecas sekundes). Starp iedarbināšanas cikliem pagaidīt vienu minūti.

Ja dzinējs pēc 3 vai 4 mēģinājumiem neiedarbojas, sazinieties ar vietējo izplatītāju, atveriet [vanguardpower.com](http://vanguardpower.com) vai zvaniet 1-800-999-9333.

### Droseles sistēma

1. Pārbaudiet dzinēja eļļu. Skatīt sadaļu **Pārbaudiet eļļas līmeni un pieļiet eļļu**.
2. Pārliedzieties, ka iekārtas piedziņas vadības elementi, ja ierīkoti, ir atvienoti.
3. Pārvietot degvielas slēgvārstu (A, attēls 7), ja ir aprīkojumā, stāvoklī ATVĒRTS.
4. Nospiediet apturēšanas slēdzi (F, attēls 7, 8), ja tāds ir aprīkojumā, pozīcijā IESLĒGTS.
5. Virziet droseles vadības ierīci (B, attēls 7), ja ir aprīkojumā, uz pozīciju ĀTRI. Darbiniet dzinēju stāvoklī ĀTRI.
6. Pagrieziet droseles vadību (C, attēls 9, 10) uz pozīciju CLOSED (aizvērts).

**PIEZĪME:** Droselēšana parasti nav vajadzīga, ja tiek iedarbināts iesilis motors.

7. **Iedarbināšana ar iegriežamo starteri, ja aprīkojumā ietilpst atslēga:** Pagrieziet slēdzi ar atslēgu (D, attēls 7, 8) uz pozīciju IESLĒGTS.



8. **Iegriežamais starteris (Rewind Start), ja ierīkots.** Stingri satvert startera auklas rokturi (E, attēls 7, 8). Lēnām velciet startera auklas rokturi (E), līdz sajūtam pretestību, tad ātri paraujiet.



#### BRĪDINĀJUMS

Ātra startera auklas ieraušana atpakaļ (atsitiens) var paraut plaukstu un roku uz motora pusi ātrāk nekā varēsīt palaist to vajā. Tas var izraisīt kaulu lūzumus, plīsumus, zilumu vai saišu sastiepumus. Lai izvairītos no atsitiena, kad iedarbiniet motoru, lēnām velciet startera auklu līdz sajūtat pretestību, tad paraujiet strauji.

9. **Elektriskā iedarbināšana, ja ir uzstādīta:** Pagrieziet atslēgu (D, attēls 7, 8) uz pozīciju IESLĒGTS vai IEDARBINĀT.

#### IEVĒRĪBAI

Lai pagarinātu startera darbību, veiciet īsus iedarbināšanas ciklus (maksimāli piecas sekundes). Starp iedarbināšanas cikliem pagaidīt vienu minūti.

10. Kad dzinējs iesilis, virziet gaisa vārsta vadību (C, attēls 9, 10) uz pozīciju ATVĒRTS.

**PIEZĪME:** Ja dzinējs pēc 2-3 mēģinājumiem neiedarbojas, sazinieties ar vietējo izplatītāju, dodieties uz [vanguardpower.com](http://vanguardpower.com) vai zvaniet 1-800-999-9333.

### Apstādiniet dzinēju



#### BRĪDINĀJUMS

Degviela un tās tvaiki ir viegli uzliesmojoši un sprādzienbīstami. Aizdegšanās vai sprādziens varētu izraisīt apdegumus vai nāvi.

- Nekad nenoslāpēt motoru ar karburatora (ja ir aprīkojumā) droselēšanas palīdzību.
1. **Apturēšanas slēdzis, ja ierīkots.** Pagrieziet apturēšanas slēdzi (F, attēls 11) uz pozīciju IZSLĒGTS.
  2. **Ar atslēgu darbināms slēdzis, ja ir aprīkojumā:** Droseles vadības ierīcei, ja ir aprīkojumā, atrodoties pozīcijā SLOW (lēni), pagrieziet slēdzi ar atslēgu (D, attēls 11) uz pozīciju IZSLĒGTS. Izņemiet atslēgu un glabājiet to drošā, bērniem nepieejamā vietā
  3. Kad motors apstājas, pagrieziet degvielas slēgvārstu (A, attēls 11), ja ir aprīkojumā, stāvoklī CIET.

### Apkope

#### Apkopes informācija



#### BRĪDINĀJUMS

Degviela un tās tvaiki ir viegli uzliesmojoši un sprādzienbīstami. Aizdegšanās vai sprādziens varētu izraisīt apdegumus vai nāvi.

Ja apkopes laikā nepieciešams sagāzt iekārtu slīpi, pārliecinieties, ka degvielas tvertne, ja uzstādīta uz motora, ir tukša un aizdedzes sveces puse ir vērsta uz augšu. Ja degvielas tvertne nav tukša, tā var izplūst un var izraisīt aizdegšanos vai sprādzienu. Ja motors tiek pacelts citā virzienā, to nebus viegli iedarbināt gaisa filtra vai aizdedzes sveces piesārņošanas ar eļļu vai degvielu dēļ.



#### BRĪDINĀJUMS

Nejaušas dzinēja sveces dzirksteles var izraisīt elektriskās strāvas triecienu, aizdegšanos vai sprādzienu un izraisīt ievilkšanu, traumatisku amputāciju vai plēstas brūces.

#### Pirms veicat pielāgojumus vai labošanu:

- Atvienojiet visus aizdedzes sveces vadus un turiet tos atstātus no aizdedzes svečēm.
- Atvienojiet akumulatora vadu no negatīvās akumulatora spaiļes (tikai dzinējiem ar elektrisko iedarbināšanu).
- Izmantot tikai pareizus instrumentus.

#### Kad pārbaudāt dzirksteli:

- Lietojiet tikai sertificētos aizdedzes sveču testerus.
- nepārbaudīt dzirksteli ar izņemtu aizdedzes sveci.



#### BRĪDINĀJUMS

Rezerves daļām jābūt vienādas konstrukcijas un uzstādītām tajā pašā vietā, kur oriģinālās daļas. Citām detaļām varētu tikt izraisīti bojājumi vai izraisīta trauma.

#### IEVĒRĪBAI

Lai darbība būtu pareiza, visām motora izgatavošanā izmantotajām sastāvdaļām jāpaliek savās vietās.

Vērsieties pie jebkura Briggs & Stratton autorizēta servisa pārstāvja dzinēja un dzinēja daļu visas apkopes un servisa veikšanai.

### Emisiju kontroles apkalpošana

Lai veiktu emisijas kontroles ierīču un sistēmu remontu, maiņu vai apkopi, sazināties ar kvalificētu bezceļa motoru remonta iestādi vai servisa tehniķi Tomēr, lai iegūtu „bezmaksas” emisiju kontroles servisu, darbu jāveic rūpnīcas pilnvarotam izplatītājam. Skatiet Emisiju kontroles deklarācijas.

### Apkopes grafiks.

Ar 8 stundu intervāliem vai reizi dienā
<ul style="list-style-type: none"> <li>• Pārbaudiet dzinēja eļļu līmeni.</li> <li>• Notīriet virsmu ap slāpētāju un vadības elementiem.</li> </ul>
Ar 100 stundu intervāliem vai reizi gadā
<ul style="list-style-type: none"> <li>• Ievietojiet atpakaļ aizdedzes sveces.</li> <li>• Nomainiet motoreļļu.</li> <li>• Nomainiet eļļas filtru (ja uzstādīts)</li> <li>• Gaisa filtra apkope <sup>1</sup>.</li> <li>• Izfīriet rupjo filtru (ja uzstādīts) <sup>1</sup>.</li> <li>• Veiciet izplūdes sistēmas apkopi.</li> </ul>
Ar 250 stundu intervāliem vai reizi gadā
<ul style="list-style-type: none"> <li>• Pārbaudiet vārsta atstarpī. Ja nepieciešams, pielāgojiet.</li> </ul>
Ar 400 stundu intervāliem vai reizi gadā
<ul style="list-style-type: none"> <li>• Nomainiet gaisa filtru.</li> <li>• Nomainiet degvielas filtru.</li> <li>• Apkopiet gaisa dzesēšanas sistēmu <sup>1</sup>.</li> <li>• Izfīriet eļļas dzesētāja ribas <sup>1</sup>.</li> </ul>

<sup>1</sup> Tīriet daudz biežāk putekļainos apstākļos vai, ja gaisā ir daudz daļiņu.

### Elektroniskā degvielas iesmidzināšanas (EFI) sistēma

EFI sistēma pārrauga dzinēja temperatūru, dzinēja ātrumu un akumulatora spriegumu dzinēja iedarbināšanai un uzsildīšanai. Sistēmā nav pielāgošanas elementu. Ja rodas iedarbināšanas vai lietošanas problēmas, sazinieties ar autorizētu Briggs & Stratton pārstāvi.

**IEVĒRĪBAI** Ievērojiet tālāk esošās norādes, pretējā gadījumā EFI sistēmu var sabojāt.

- NEIEDARBINIET dzinēju, ja akumulatora kabeli nav cieši pievienoti.
- Pirms akumulatora atvienošanas, demontēšanas un/vai montēšanas, pagrieziet atslēgu IZSLĒGTĀ pozīcijā.
- NELIETOJIET akumulatora lādētāju, lai iedarbinātu dzinēju.
- NEATVIENOJIET akumulatora kabelus dzinēja darbības laikā.
- Ja esat atvienojis akumulatora kabelus, vispirms akumulatoram pievienojiet pozitīvo (+) kabeli un tad pievienojiet negatīvo (-) kabeli.
- Uzlādējot akumulatoru, pagrieziet aizdedzes slēdzi pozīcijā IZSLĒGTS un atvienojiet negatīvo (-) akumulatora kabeli no akumulatora.
- NEIZSMIDZINIET ūdeni tieši uz elektroniskās vadības moduļa.

### Elektroniskā degvielas vadības sistēma

Elektroniskā degvielas vadības sistēma seko dzinēja temperatūrai, dzinēja ātrumam un akumulatora spriegumam, lai dzinēja iedarbināšanas un uzsildīšanas laikā pielāgotu droselvārstu. Sistēmā nav pielāgošanas elementu. Ja rodas iedarbināšanas vai lietošanas problēmas, sazinieties ar autorizētu Briggs & Stratton servisa pārstāvi.

**IEVĒRĪBAI** Ievērojiet šīs norādes! Pretējā gadījumā var tikt sabojāta elektroniskā degvielas vadības sistēma.

- NEIEDARBINIET dzinēju, ja akumulatora kabeli nav cieši pievienoti.
- Pirms āreji strāvas avota kabelu pievienošanas vai akumulatora kabelu atvienošanas vai pievienošanas atpakaļ, pagrieziet aizdedzes slēdzi stāvoklī IZSLĒGTS. Uzlādējot akumulatoru, aizdedzes atslēgai jābūt stāvoklī IZSLĒGTS.
- Atvienojot akumulatora kabelus no akumulatora, vispirms atvienojiet no akumulatora negatīvo (-) kabeli un tad atvienojiet pozitīvo (+) kabeli. Pievienojot akumulatora kabelus akumulatoram, vispirms pievienojiet akumulatoram pozitīvo (+) kabeli un tad pievienojiet negatīvo (-) kabeli.
- NELIETOJIET akumulatora lādētāju, lai iedarbinātu dzinēju.
- NEATVIENOJIET akumulatora kabelus dzinēja darbības laikā.
- NEIZSMIDZINIET ūdeni tieši uz elektroniskās vadības bloka.

## Karburators un motora apgriezieni

Neveikt pielāgojumus karburatoram, regulatora atsperei, savienojumiem vai citām daļām, lai pielāgotu dzinēja ātrumu. Ja ir nepieciešams veikt kādus regulējumus, vērsieties Briggs & Stratton autorizēta servisa pārstāvja centrā.

### IEVĒRĪBAI

Iekārtas ražotājs ir definējis maksimālo ātrumu iekārtā iemontētajam motoram. Nepārsniedz šo ātrumu. Ja neesat pārliecināts par to, kāds ir iekārtas maksimālais ātrums, vai kāds ātrums motoram ir iestatīts rūpnīcā, vērsieties Briggs & Stratton autorizētā servisa pārstāvja centrā. Lai pareizi un droši lietotu iekārtu, motora ātrumu drīkst regulēt tikai kvalificēts servisa tehniķis.

## Aizdedzes sveču apkope

Pārbaudiet aizdedzes sveces spraugu (A, Attēls 12) ar stieples kalibru (B). Ja nepieciešams, iestatiet aizdedzes sveces spraugu. Uztādiat un pievelciet aizdedzes sveci ar pareizu griezes momentu. Informāciju par spraugas un griezes momenta specifiskajām skatīt sadaļā **Specifikācijas**.

## Izplūdes sistēmas apkope



### BRĪDINĀJUMS

Darbības laikā motors un slāpētājs kļūst karsti. Aizskarat karstu motoru, var rasties termiski apdegumi.

Tādi degoši materiāli kā nokritušas koka lapas, zāle un krūmāji var uzliesmot.

- Pirms aizskarat motoru vai slāpētāju, apturiet dzinēju un pagaidiet divas (2) minūtes. Pārliecinieties, ka motoram un slāpētājam var droši pieskarties.
- Notīrīt netīrumus no slāpētāja un motora.

Tas klasificējas kā Kalifornijas Publisko resursu likuma, sadaļas 4442, pārkāpums: izmantot dzinēju meža, krūmu vai zāles klātās teritorijās, ja izplūdes sistēma nav aprīkota ar dzirksteļu uztvērēju, kā norādīts sadaļā 4442, un tas netiek pienācīgi apkopots. Citos štatos vai federālajās jurisdikcijās var būt līdzīgi likumi; atsauce uz Federālo noteikumu 36 CFR, 261.52. daļu. Sazinieties ar ražotāju, mazumtirgotāju vai izplatītāju, lai iegūtu dzirksteļu uztvērēju, kas paredzēts izplūdes sistēmai, kas uzstādīta šim dzinējam.

Noņemt gruzus no slāpētāja cilindra apkārtnes. Pārbaudiet, vai slāpētājam nav plaisu, korozijas vai citu bojājumu. Noņemiet dzirksteļu slāpētāju, ja tas aprīkots, apskatiet, vai nav bojājumi vai ogles radīti aizbīvējumi. Ja atrasts bojājums, pirms darba uzsākšanas ar iekārtu iemontēt rezerves daļas.



### BRĪDINĀJUMS

Rezerves daļām jābūt vienādas konstrukcijas un uzstādītām tajā pašā vietā, kur oriģinālās daļas. Citām detaļām varētu tikt izraisīti bojājumi vai izraisīta trauma.

## Nomainiet motoreļļu



### BRĪDINĀJUMS

Degviela un tās tvaiki ir viegli uzliesmojoši un sprādzienbīstami. Aizdeģšanās vai sprādziens varētu izraisīt apdegumus vai nāvi.

Darbības laikā motors un slāpētājs kļūst karsti. Aizskarat karstu motoru, var rasties termiski apdegumi.

- Ja eļļa tiek izvadīta izmantojot augšējo eļļas uzpildes cauruli, degvielas tvertnei jābūt tukšai. Ja tā nav tukša, degviela var izplūst un izraisīt aizdegšanos vai sprādzienu.
- Pirms aizskarat motoru vai slāpētāju, apturiet dzinēju un pagaidiet divas (2) minūtes. Pārliecinieties, ka motoram un slāpētājam var droši pieskarties.

Atstrādātā eļļa ir bīstams atkritumprodukts, un tā ir pareizi jāutilizē. Neizmetiet kopā ar saimniecības atkritumiem. Sazinieties ar vietējām iestādēm, servisa centru vai izplatītāju, lai uzzinātu, kur atrodas drošas utilizācijas vai pārstrādes punkti.

### Izteciniet eļļu

- Ar IZSLĒGTU, bet siltu dzinēju atvienojiet aizdedzes sveces vadu(-s) (D, attēls 13) un turiet to atstātus no aizdedzes sveces(-ēm) (E).
- Izņemiet mērstieni (A, attēls 14, 15).
- Izņemiet eļļas noliešanas aizgriezni (F, attēls 16, 17). Izteciniet eļļu atbilstošā tvertnē.
- Uztādiat un pievelciet eļļas noliešanas aizgriezni (F, attēls 16, 17).

## Nomainiet eļļas filtru, ja uzstādīts

- Izteciniat eļļu no motora. Skatīt sadaļu **Izteciniat eļļu**.
- Izņemiet eļļas filtru (G, attēls 18, 19) un pareizi utilizējiet.

- Pirms uzstādat jauno eļļas filtru, viegli ieeļļot eļļas filtra bļīvi ar tīru eļļu.
- Uztādiat eļļas filtru ar roku līdz bļīve saskarās ar eļļas filtra adapteri, tad pievilkt eļļas filtru par 1/2 līdz 3/4 apgriezieni.
- Pielejiet eļļu. Skatīt sadaļu **Pielejiet eļļu**.
- Iedarbināt un darbināt motoru. Kad motors ir uzsilis, pārbaudīt vai eļļa nenoplūst.
- Apstādiat dzinēju. Pārliecinieties, ka eļļas līmenis ir pilnās tvertnes indikatora augšpusē uz mērstieņa. Skatīt sadaļu **Pielejiet eļļu**.

### Pielejiet eļļu

- Pārliecinieties, ka dzinējs ir horizontāli.
- Attīrīt eļļas uzpildes zonu no visiem gruziem.
- Skatīt eļļas ietilpības daudzumu sadaļā **Specifikācijas**.

- Izņemiet mērstieni (A, attēls 20, 21). Noņemiet eļļu no mērstieņa ar tīru drānu.
- Lēnām ielejiet eļļu dzinēja eļļas uzpildes atverē (C, attēls 20, 21) **Nepārpildiet**. Pēc eļļas ielešanas, pagaidiet vienu minūti un tad pārbaudiet eļļas līmeni.
- Ievietojiet un pievelciet mērstieni (A, attēls 20, 21).
- Izņemiet mērstieni un pārbaudiet eļļas līmeni. Pareizais eļļas līmenis ir pilnās tvertnes indikatora augšpusē (B, attēls 20, 21) uz mērstieņa.
- Ievietojiet un pievelciet mērstieni (A, attēls 20, 21).
- Pievienojiet aizdedzes sveces vadu(-s) (D, attēls 20) pie aizdedzes sveces(-ēm).

## Gaisa filtra apkope



### BRĪDINĀJUMS

Degvielas tvaiki ir uzliesmojoši un sprādzienbīstami. Aizdeģšanās vai sprādziens varētu izraisīt apdegumus vai nāvi.

- Nekad neiedarbināt un nedarbināt motoru ar noņemtu gaisa attīrīšanas mezglu (ja ir aprīkojumā) vai gaisa filtru (ja ir aprīkojumā).

### IEVĒRĪBAI

Filtra tīrīšanai neizmantojiet saspiestu gaisu vai šķīdinātājus. Saspiests gaiss varētu sabojāt filtru, bet šķīdinātāji izšķīdinās filtru.

Skatīt sadaļu **Apkopes diagramma**, kur norādītas apkopes prasības.

Daži modeļi varētu arī būt aprīkoti ar rupjo filtru, kuru var mazgāt un lietot atkārtoti. Saīdziniet ilustrācijas šajā rokasgrāmatā ar tipu, kas uzstādīts jūsu dzinējam.

- Modeļi bez degvielas tvertnes:** Atveriet stiprinājumu(-s) (A, attēls 22) un noņemiet vāku (B).
- Modeļi ar degvielas tvertni:** Noņemiet stiprinājumu(-s) (C, attēls 23) un vāku (D).
- Noņemiet uzgriezni (D, attēls 22, 23) un turētāju (E).
- Izņemiet gaisa filtru (F, attēls 22, 23).
- Noņemiet rupjo filtru (G, attēls 22, 23), ja ietilpst aprīkojumā, no gaisa filtra (F).
- Lai atdalītu gruzus, uzmanīgi pasītiat filtru (F, attēls 22, 23) pret cietu virsmu. Ja filtrs ir netīrs, nomainiet ar jaunu filtru.
- Notīriet rupjo filtru (G, attēls 22, 23), ja ietilpst aprīkojumā, ūdenī ar šķidru mazgāšanas līdzekli. Ļaut rupjajam filtram pilnībā nožūt gaisā. **NEIEĻĻOJIET** rupjo filtru.
- Salieciet sauso rupjo filtru (G, attēls 22, 23), ja ir aprīkots, pie gaisa filtra (F).
- Uztādiat gaisa filtru (F, attēls 22, 23) un nostipriniet ar turētāju (E) un uzgriezni (D).
- Uztādiat vāku (B, attēls 22, 23).

## Degvielas sistēmas apkope



### BRĪDINĀJUMS

Degviela un tās tvaiki ir viegli uzliesmojoši un sprādzienbīstami. Aizdeģšanās vai sprādziens varētu izraisīt apdegumus vai nāvi.

- Degvielas tuvumā nedrīkst būt dzirksteles, atklātas liesmas, signāllampiņas, siltuma avoti vai citi aizdegšanās avoti.
- Bieži pārbaudīt degvielas šļūtenes, degvielas tvertni, degvielas tvertnes vāciņu un savienojumus, vai tajos nav plaisu vai sūču. Nomainīt bojātās daļas.
- Ja degviela izlīst, pagaidiet līdz tā izžūst pirms Jūs iedarbināt motoru.

### Degvielas filtrs, ja uzstādīts

- Pirms nomaināt degvielas filtru (A, attēls 24), iztukšojiet degvielas tvertni vai aizveriet degvielas slēgvārstu. Ja degvielas tvertne nav iztukšota, degviela var noplūst un izraisīt aizdegšanos vai sprādzienu.
- Ar plakanknaiblēm saspiediet mēlītes (B, attēls 24) uz spailēm (C). Noslidiniat skavas no degvielas filtra (A).
- Groziet un velciet nost degvielas šļūtenes (D, attēls 24) no degvielas filtra.

- Pārbaudiet degvielas līnijas (D, attēls 24), vai tajos nav plaisu vai sūču. Ja nepieciešams, nomainiet degvielas šļūtenes.
- Nomainiet degvielas filtru (A, attēls 24).
- Pievienojiet degvielas kanālus (D, attēls 24) ar skavām (C).

## Dzesēšanas sistēmas apkope



**BRĪDINĀJUMS**  
Darbības laikā motors un slāpētājs kļūst karsti. Aizskatot karstu motoru, var rasties termiski apdegumi.

Tādi degoši priekšmeti kā nokritušas koka lapas, zāle un krūmāji var uzliesmot.

- Pirms aizskarat motoru vai slāpētāju, apturiet dzinēju un pagaidiet divas (2) minūtes. Pārliedzieties, ka motoram un slāpētājam var droši pieskarties.
- Notīrīt nefūrus no slāpētāja un motora.

### IEVĒRĪBAI

Neizmantojiet ūdeni dzinēja tīrīšanai. Ūdens var piesārņot degvielas sistēmu. Lai tīrītu dzinēju, lietojiet suku vai sausu drānu.

Šis ir dzinējs ar gaisa dzesēšanu. Nefūri vai gruži var apturēt gaisa plūsmu un izraisīt dzinēja pārkaršanu un izraisīt neapmierinošu sniegumu un īsāku dzinēja darbību.

- Lietot slotu vai sausu lupatu gružu noņemšanai no gaisa ieņēmēja restes.
- Turiet tīrus savienojumus, atspere un vadības ierīces.
- Turēt tīras no degošiem gružiem apkārtni ap un aiz slāpētāja, ja ir aprikojumā.
- Pārliedzieties, ka ir tīras eļļas dzesētāja ribas, ja ir aprikojumā.

Laikam ejot, gruži var sakrāties uz cilindra dzesēšanas ribām un izraisīt dzinēja pārkaršanu. Šo nevēlamo materiālu nevar notīrīt bez daļējas dzinēja izjaukšanas. Uzticiet Briggs & Stratton autorizētam servisā pārstāvim veikt apskati un gaisa dzesēšanas sistēmas tīrīšanu kā ieteikts **Apkopes diagrammā**.

## Uzglabāšana

### Degvielas sistēma

Skatiet attēlu: 25.



**BRĪDINĀJUMS**  
Degviela un tās tvaiki ir viegli uzliesmojoši un sprādzienbīstami. Aizdeģšanās vai sprādziens varētu izraisīt apdegumus vai nāvi.

### Degvielas uzglabāšana

- Tā kā signāllampīnas vai citi aizdeģšanās avoti var izraisīt sprādzienu, turēt degvielu vai iekārtu drošā attālumā no kurtuvēm, krāsnīm, boileriem un citām līdzīgām ierīcēm, kurām ir signāllampīnas.

Turēt motoru līmeniski (parastā darba stāvoklī). Uzpildiet degvielas tvertni (A, attēls 25) ar degvielu. Lai ļautu degvielai izplesties, nepiepildiet augstāk par degvielas tvertnes kakliņu (B).

Ja degviela tiek uzglabāta uzglabāšanas tvertnē vairāk par 30 dienām, tā var zaudēt svaigumu. Lai novērstu degvielas pasliktināšanos un degviela būtu svaiga, tiek ieteikts degvielas uzglabāšanas tvertnē izmantot spirtu nesaturošu degvielas stabilizatoru un piedevu etanolam.

Uzpildot degvielas tvertnē degvielu, pievienojiet spirtu nesaturošu degvielas stabilizatoru, kā norādīts ražotāja instrukcijās. Ja benzīns dzinējā netiek apstrādāts ar degvielas stabilizatoru, tas jāizteicina piemērotā konteinerā. Darbiniet dzinēju, līdz beidzas degviela.

## Motoreļļa

Motoreļļu jāmaina, kamēr dzinējs ir vēl silts. Skatiet sadaļu **Nomainiet dzinējeļļu**.

## Problēmu novēršana

### Palīdzība

Lai saņemtu palīdzību, sazinieties ar savu vietējo izplatītāju, atveriet **BRIGGSandSTRATTON.COM** vai zvaniet uz **1-800-444-7774** (ASV).

## Specifikācijas

### Specifikācijas un apkopes daļas

MODEĻI: 290000, 300000	
Darba tilpums	29.23 kubikcolla (479 cm <sup>3</sup> )
Iekšējais diametrs	2.677 collas (68 mm)
Virzuļa gājiens	2.598 collas (66 mm)
Eļļas ietilpība	46 - 48 unce (1,36 - 1,42 l)

### MODEĻI: 290000, 300000

Aizdedzes sveces sprauga	.030 collas (.76 mm)
Aizdedzes sveces pievilkšanas moments	180 mārciņa-colla (20 Nm)
Armatūras gaisa sprauga - Karburatora modeļi	.008 - .012 collas (.20 - .30 mm)
Ieplūdes vārsta sprauga	.004 - .006 collas (.10 - .15 mm)
Izplūdes vārsta sprauga	.004 - .006 collas (.10 - .15 mm)

### MODELIS: 350000

Darba tilpums	34.78 kubikcolla (570 cm <sup>3</sup> )
Iekšējais diametrs	2.835 collas (72 mm)
Virzuļa gājiens	2.756 collas (70 mm)
Eļļas ietilpība	46 - 48 unce (1,36 - 1,42 l)
Aizdedzes sveces sprauga	.030 collas (.76 mm)
Aizdedzes sveces pievilkšanas moments	180 mārciņa-colla (20 Nm)
Armatūras gaisa sprauga - Karburatora modeļi	.008 - .012 collas (.20 - .30 mm)
Ieplūdes vārsta sprauga	.004 - .006 collas (.10 - .15 mm)
Izplūdes vārsta sprauga	.004 - .006 collas (.10 - .15 mm)

### MODELIS: 380000

Darba tilpums	38.26 kubikcolla (627 cm <sup>3</sup> )
Iekšējais diametrs	2.972 collas (75,5 mm)
Virzuļa gājiens	2.756 collas (70 mm)
Eļļas ietilpība	46 - 48 unce (1,36 - 1,42 l)
Aizdedzes sveces sprauga	.030 collas (.76 mm)
Aizdedzes sveces pievilkšanas moments	180 mārciņa-colla (20 Nm)
Armatūras gaisa sprauga - Karburatora modeļi	.008 - .012 collas (.20 - .30 mm)
Ieplūdes vārsta sprauga	.004 - .006 collas (.10 - .15 mm)
Izplūdes vārsta sprauga	.004 - .006 collas (.10 - .15 mm)

Motora jauda samazināsies par 3,5 % uz katrām 1000 pēdām (300 metriem) virs jūras līmeņa un par 1 % uz katrām 10 °F (5,6 °C) virs 77 °F (25 °C). Dzinējs apmierinoši darbosies slūpumā līdz 15°. Skatiet iekārtas operatora rokasgrāmatā droša darba pieļaujamas robežas uz slūpumiem.

### MODEĻI: 290000, 300000, 350000, 380000

Apkopes daļa	Daļas numurs
Gaisa filtrs (ar degvielas tvertni, attēls 23)	383857
Gaisa filtrs, (izņemot modeli 380000, attēls 22)	394018
Gaisa filtrs (modelis 380000, 22)	692519
Rupjais gaisa filtrs (ar degvielas tvertni, attēls 23)	271794
Rupjais gaisa filtrs (izņemot modeli 380000, attēls 22)	272490
Rupjais gaisa filtrs (modelis 380000, attēls 22)	692520
Eļļa - SAE 30	100028
Eļļas filtrs	842921
Degvielas filtrs (ar degvielas tvertni)	808116
Degvielas filtrs (ar degvielas sūkni)	845125
Degvielas filtrs (bez degvielas sūkņa)	298090
Pretestības aizdedzes svece	491055S
Aizdedzes svece ar platīna elektrodu ar pagarinātu kalpošanas laiku	696202, 5066K
Aizdedzes sveces atslēga	19576S
Dzirksteles testeris	84003327

Mēs iesakām jums vērsties pie jebkura Briggs & Stratton autorizēta pārstāvja dzinēja un dzinēja daļu visas apkopes un servisa veikšanai.

## Jaudas rādītāji

pielaujama pilnā jauda atsevišķiem modeļiem ar benzīna dzinēju tiek apzīmēta atbilstoši novērtējumam pēc SAE (Autoinženieru savienība) kodeksa J1940 (Mazu dzinēju jaudas un griezes momenta noteikšanas procedūra), un to jaudas novērtēšana notiek atbilstoši SAE noteikumiem J1995. Dzinējiem, kuru marķējumā norādīts "rpm", griezes moments ir noteikts pie 2600 apgr./min, visiem pārējiem dzinējiem — pie 3060 apgr./min; zirgspēku daudzums ir noteikts pie 3600 apgr./min. Pilnās jaudas līknes var aplūkot vietnē [www.BRIGGSandSTRATTON.COM](http://www.BRIGGSandSTRATTON.COM). Efektīvās jaudas vērtības tiek iegūtas, kad ir uzstādīts klusinātājs un gaisa filtrs, bet pilnas jaudas vērtības tiek iegūtas bez šiem piederumiem. Reālā dzinēja pilnā jauda būs augstāka par efektīvo jaudu, jo to ietekmēs darba vides apstākļi un katra dzinēja individuālās atšķirības. Ņemot vērā plašo izstrādājumu klāstu, kādiem tiek uzstādīti dzinēji, benzīna dzinēji var neatbilstīt nominālo pilno jaudu, ja tos izmanto ar konkrēto mehānizēto iekārtu. Šīs atšķirības izraisa dažādi faktori, tai skaitā, bet ne tikai — dažādas dzinēja sastāvdaļas (gaisa filtrs, klusinātājs, kompresija, dzesēšanas sistēma, karburators, degvielas sūkņi utt.), lietojuma ierobežojumi, vides apstākļi darba vietā (temperatūra, mitrums, augstums virs jūras līmeņa), kā arī atsevišķu dzinēju individuālās īpatnības. Dažu ražošanas procesa un jaudas ierobežojumu dēļ uzņēmums Briggs & Stratton ir tiesīgs aizvietot šīs sērijas dzinēju ar jaudīgāku.

## Garantija

### Briggs & Stratton® dzinēja garantija

Spēkā no 2022. gada augusta

#### Ierobežota garantija

Briggs & Stratton garantē, ka garantijas periodā, kas norādīts zemāk, tas pēc saviem uzskatiem bez maksas salabos vai nomainīs jebkuru daļu ar jaunu, atjaunotu vai pārstrādātu daļu, kurai ir materiāla un/vai ražošanas brāķis vai abi. Transporta izmaksas par prece, kurš šīs garantijas ietvaros iesniegts remontam vai nomainīti, jāsedz pircējam. Šī garantija ir spēkā tālāk norādītajos laika periodos un ievērojot tālāk izklāstītos nosacījumus. Lai saņemtu garantijas servisu, atrodiet tuvāko autorizētu servisa pārstāvi mūsu izplatītāju atrašanās vietu kartē [BRIGGSandSTRATTON.COM](http://BRIGGSandSTRATTON.COM). Pircējam ir jāsažinās ar pilnvaroto apkopes pakalpojumu sniedzēju un jānogādā izstrādājums tā turpmākai pārbaudei un testēšanai pilnvarotajam apkopes pakalpojumu sniedzējam.

**Citu tiešo garantiju nav. Netiešas garantijas, produkta kvalitātes un nodarīguma noteikam pielietojumam ieskaitot, ir ierobežotas ar viena gada periodu no pirkuma datuma vai uz likumā atrunāto periodu. Visas pārējās netiešās garantijas ir izslēgtas. Jebkura atbildība par jauniem vai izrietošiem zaudējumiem tiek izslēgta tādā mērā, kādā šī atbildības izslēgšana ir atrunāta likumā.** Dažās pavalstīs un valstīs neatzīst ierobežojumus attiecībā uz to, cik ilgi turpināsies netiešā garantija, bet citās pavalstīs vai valstīs nepieļauj nejauso vai izrietošo zaudējumu izslēgšanu vai ierobežošanu, tādēļ iepriekš minētais ierobežojums un garantijas izslēgšana var uz jums neattiekties. Šī garantija dod jums noteiktas juridiskas tiesības, bet jums var būt arī citas tiesības, kas dažādās zemēs un valstīs ir atšķirīgas.

Standarta garantijas nosacījumi <sup>1, 2</sup>
<b>Vanguard®; Komerציālā sērija</b>
Patērētāja lietošana - 36 mēneši
Komerציāla lietošana - 36 mēneši
<b>XR sērija</b>
Patērētāja lietošana - 24 mēneši
Komerציāla lietošana - 24 mēneši
<b>Dzinēji ar Dura-Bore™ lietām čuguna čaulām</b>
Patērētāja lietošana - 24 mēneši
Komerציāla lietošana - 12 mēneši
<b>Visi citi dzinēji</b>
Patērētāja lietošana - 24 mēneši
Komerציāla lietošana - 3 mēneši

<sup>1</sup> Šie ir mūsu standarta garantijas noteikumi, taču laiku pa laikam iespējams papildus garantijas segums, kāds netika noteikts publikācijas laikā. Lai iepazītos ar jūsu dzinējam pašreiz spēkā esošajiem garantijas noteikumiem, skatiet Internetā [BRIGGSandSTRATTON.COM](http://BRIGGSandSTRATTON.COM) vai sazinieties ar jūsu autorizēto Briggs & Stratton servisa pārstāvi.

<sup>2</sup> Garantija netiek nodrošināta dzinējiem, kas tiek izmantoti iekārtu galvenā dzinējspēka vietā, rezerves ģeneratoriem, ko izmanto komerciāliem mērķiem, vieglajos autofurgonos un kas pārsniedz 25 MPH. Garantija netiek sniegta dzinējiem, ko izmanto ātrumsaīkstēm, kā arī komerciālos vai nomas kravas automobiļos.

\* Austrālijā – Mūsu precēm ir garantijas, kuras nepieļauj izslēgt Austrālijas Patērētāju likums. Jums ir tiesības nomainīt izstrādājumu vai saņemt naudas līdzekļu atmaksu, ja izstrādājuma darbībā radās būtiski traucējumi, vai arī saņemt atlīdzību, ja radās citi saprātīgi paredzamie zaudējumi vai bojājumi. Turklāt jums ir tiesības iesniegt izstrādājumu remontam vai nomainīt izstrādājumu, ja tā kvalitāte nav pieņemama, taču tā darbības traucējumi nav būtiski. Lai saņemtu garantijas

servisu, atrodiet tuvāko autorizēto servisa pārstāvi izplatītāju atrašanās vietu kartē [BRIGGSandSTRATTON.COM](http://BRIGGSandSTRATTON.COM) vai piezvaniet uz numuru 1300 274 447, vai nosūtiet e-pastu vai papīra vēstuli uz adresi [salesenquiries@briggsandstratton.com.au](mailto:salesenquiries@briggsandstratton.com.au), Briggs & Stratton Australia Pty Ltd, 1 Moorebank Avenue, Moorebank, NSW, Austrālija, 2170.

Garantijas laiks sākas no datuma, kad prece tika pārdota pirmajam patērētājam caur mazumtirdzniecības tīklu vai vairumtirdzniecības tīklu galapatērētājam komercvidē un turpinās tādu laika posmu, kāds norādīts iepriekš minētajā tabulā. „Sadzīves lietošana” nozīmē, ka mazumtirdzniecības patērētājs lieto precī savā mājāsaimniecībā. „Komerציāla lietošana” nozīmē visus pārējos preces lietošanas veidus, ietverot tirdzniecību, lietošanu ienākumus nesošās nozarēs vai izīrēšanu. Tikko dzinējs ir ticis lietots komerciāli, tas turpmāk attiecībā uz šo garantiju tiek uzskatīts par komerciālas lietošanas dzinēju.

**Lai iegūtu Briggs & Stratton izstrādājumu garantiju, nav vajadzīga nekāda garantijas reģistrācija. Saglabājiet savu pirkumu apliecinājošo čeku. Ja jūs neiesniedzat apliecinājumu sākotnējā pirkuma datumam laikā, kad ir nepieciešams garantijas remonts, garantijas perioda noteikšanai tiks izmantots produkta izgatavošanas datums.**

#### Par jūsu garantiju

Šī garantija attiecas tikai uz defektīviem materiāliem, kas saistīti ar dzinēju, un/vai apdares kvalitāti, un nevis uz nomainītu vai atļūdzināšanu iekārtai, kurai dzinējs var būt pierīkots. Šī garantija nesedz kārtējo apkopi, noskaņošanu, noregulēšanu vai normālu nodilumu. Tāpat garantija nav spēkā, ja dzinējs ir ticis izmainīts vai modificēts, vai ja ir dzēsts vai noņemts dzinēja sērijas numurs. Šī garantija nesedz dzinēja bojājumus vai veikuma problēmas, kuras izraisījuši:

1. daļu, kas nav Briggs & Stratton
2. dzinēja darbināšana ar nepietiekamu eļļas līmeni, piesārņotu vai nepareizas kvalitātes eļļu;
3. piesārņotas vai sastāvējušās degvielas izmantošana, benzīna, kurā etilspirta saturs lielāks par 10 %, vai alternatīvu degvielu, piemēram, sašķidrinātas naftas vai dabasgāzes izmantošana dzinējiem, ko Briggs & Stratton nav sākotnēji paredzējis/izgatavojis darbināšanai ar šādu degvielu;
4. netīrumi, kas iekļuvuši dzinējā gaisa atfiltrētāja nepareizas apkopes vai salikšanas rezultātā;
5. rotācijas zāles plāvēja nažu triecieni pret priekšmetiem, vaļīgi vai nepareizi uzstādīti nažu adapteri, lāpstīnītenī vai citas kloķvārpstai pievienotas ierīces vai pārmērīga ķīļsiksna nosprīgošana;
6. saistīto daļu vai mezglu, piemēram, sajūgu, transmisijas, iekārtu vadības ierīču utt., ko nav piegādājis Briggs & Stratton, lietošana;
7. pārkāršana, kas notikusi dzesēšanas ribu vai spararata zonas piesārņošanas vai aizsērēšanas ar noplautās zāles daļām, netīrumiem un gružiem vai grauzēju ligzdu dēļ, vai dzinēja darbināšana bez pietiekamas ventilācijas;
8. pārmērīga vibrācija, kuras cēlonis ir pārmērīgi dzinēja apgriezieni, vaļīgi dzinēja stiprinājumi, vaļīgi vai neizlīdzsvaroti naži vai lāpstīnītenī vai aprikojuma nepareiza pievienošana kloķvārpstai;
9. dzinēja nepareiza ekspluatēšana, ikdienas apkopes neveikšana, nepareizi veikta pārsūtīšana, pārkraušana un uzglabāšana, vai dzinēja nepareiza uzstādīšana.

Garantijas apkope ir pieejama, sazinoties ar Briggs & Stratton autorizētajiem servisa pārstāvjiem. Atrodiet tuvāko autorizēto servisa pārstāvi mūsu izplatītāju atrašanās vietu kartē [BRIGGSandSTRATTON.COM](http://BRIGGSandSTRATTON.COM) vai zvaniet uz 1-800-444-7774 (ASV).

80114782 (Redakcija A)

## Informacje ogólne



Niniejsza instrukcja zawiera informacje na temat bezpieczeństwa, zagrożeń i ryzyka związanego z silnikiem oraz sposobów zapobiegania im. Zawiera również informacje na temat prawidłowej obsługi i konserwacji silnika. Należy przeczytać i zrozumieć niniejsze instrukcje oraz ich przestrzegać. **Zaleca się zachowanie tej instrukcji do wykorzystania w przyszłości.**

**UWAGA:** Rysunki i ilustracje zostały zamieszczone w niniejszej instrukcji wyłącznie w celach informacyjnych i mogą być inne od rzeczywistego wyglądu urządzenia posiadanego przez użytkownika. Należy użyć wartości zgodnych z konfiguracją silnika. Jeśli to konieczne, porozmawiaj z Autoryzowanym dealerem serwisowym.

Aby w przyszłości uzyskać części zamienne lub pomoc techniczną, zapisać poniżej model, ustawienie napędu, typ oraz kod silnika wraz z datą zakupu. Te dane znajdują się na silniku. Patrz część **Budowa i elementy obsługowe**.

Data zakupu	
Numer modelu – rodzaj – wykończenie silnika	
Numer seryjny silnika	

## Dane kontaktowe biura w Europie

W przypadku pytań dotyczących limitów emisji spalin w Europie prosimy o kontakt z naszym europejskim biurem:

Max-Born-Straße 2, 68519 Viernheim, Niemcy.

## Unia Europejska (EU) – Etap V (5): Wartości dwutlenku węgla (CO<sub>2</sub>)

Aby znaleźć wartości dwutlenku węgla w silnikach Briggs & Stratton ze świadectwem homologacji typu EU, wpisz CO<sub>2</sub> w oknie wyszukiwania na stronie BriggsandStratton.com.

## Informacje o utylizacji



Wszystkie kartony, pudła, zużyty olej i baterie poddać recyklingowi zgodnie z przepisami rządowymi.

## Bezpieczeństwo operatora

### Symbole alarmów bezpieczeństwa i słowa ostrzegawcze



Symbol ostrzegawczy wskazuje na informacje dotyczące zagrożeń, które mogą prowadzić do uszkodzenia ciała. Słowo ostrzegawcze (**NIEBEZPIECZEŃSTWO**, **OSTRZEŻENIE** lub **PRZESTROGA**) stosowane jest w celu wskazania na prawdopodobieństwo wystąpienia poważnego urazu ciała. Dodatkowo, symbol zagrożenia może być używany do zasygnalizowania rodzaju zagrożenia.

**NIEBEZPIECZEŃSTWO** sygnalizuje zagrożenie, które, jeśli nie uda się go uniknąć, **spowoduje śmierć lub poważne obrażenia ciała.**

**OSTRZEŻENIE** sygnalizuje zagrożenie, które, jeśli nie uda się go uniknąć, **może spowodować śmierć lub poważne obrażenia ciała.**

**PRZESTROGA** sygnalizuje zagrożenie, które, w razie jego nieuniknięcia, **może spowodować niewielkie lub umiarkowane obrażenia ciała.**

**UWAGA** wskazuje informacje uważane za ważne, ale niezwiązane z zagrożeniem.

### Symbole zagrożeń i ich znaczenia

	Informacje bezpieczeństwa dotyczące zagrożeń, które mogą spowodować obrażenia.		Przed serwisowaniem urządzenia należy zapoznać się z instrukcją obsługi.
	Zagrożenie pożarowe		Zagrożenie wybuchem

	Niebezpieczeństwo porażenia elektrycznego		Zagrożenie oparami toksycznymi
	Zagrożenie związane z gorącą powierzchnią		Zagrożenie odrzutem
	Zagrożenie odcięciem przez elementy ruchome		Poziom paliwa – maks. Nie przepelniać

## Komunikaty dot. bezpieczeństwa



### OSTRZEŻENIE

Silniki Briggs & Stratton® nie są przeznaczone i nie powinny być wykorzystywane do napędzania: pojazdów rozrywkowych, gokartów, dziecięcych, rekreacyjnych lub sportowych pojazdów terenowych, motocykli, poduszki powietrznej, urządzeń lotniczych oraz pojazdów używanych podczas imprez wyczynowych niezaaprobowanych przez firmę Briggs & Stratton. Informacje na temat produktów przeznaczonych do pojazdów wyścigowych podano na stronie [www.briggsracing.com](http://www.briggsracing.com). W celu uzyskania informacji dotyczących użycia produktów w pojazdach użytkowych i terenowych, prosimy skontaktować się z Briggs & Stratton Power Application Center pod numerem 1-866-927-3349. Nieprawidłowe użycie silnika może spowodować poważne obrażenia lub śmierć.



### OSTRZEŻENIE

**Paliwo i jego opary są łatwopalne i wybuchowe. Pożar lub wybuch mogą spowodować poważne poparzenia lub doprowadzić do śmierci.**

### Przy dolewaniu paliwa należy

- Wylączyć silnik. Przed zdjęciem korka wlewu odczekaj co najmniej dwie (2) minuty, aby upewnić się, że silnik jest chłodny.
- Napełnić zbiornik paliwa na zewnątrz lub w miejscu o dobrym przepływie powietrza.
- Nie wlewać zbyt dużo paliwa do zbiornika. Aby zapewnić rozprężenie paliwa, nie należy napełniać zbiornika paliwa powyżej dolnej części szyjki wlewu paliwa.
- Nie wolno trzymać paliwa w pobliżu źródeł iskier, nieosłoniętych płomieni, płomieni pilota, źródła ciepła lub innych źródeł zapłonu.
- Często sprawdzać przewody paliwowe, zbiornik paliwa, korek wlewu paliwa i połączenia pod kątem pęknięć lub wycieków. Wymienić uszkodzone części.
- Jeśli paliwo rozleje się, należy zaczekać, aż odparuje, przed włączeniem silnika.

### Uruchamianie silnika

- Sprawdzić, czy świeca zapłonowa, tłumik, korek wlewu i filtr powietrza (jeśli jest na wyposażeniu) są odpowiednio zainstalowane.
- Nie należy uruchamiać silnika, gdy świeca zapłonowa jest wyjęta.
- Jeśli silnik jest zalany, ustawić ssanie (jeśli jest w wyposażeniu) w położeniu OTWARTE lub PRACA. Przesunąć przepustnicę (jeśli jest w wyposażeniu) do pozycji SZYBKIEJ i obracać korbą do momentu uruchomienia silnika.
- Jeśli w pobliżu występuje wyciek gazu naturalnego lub LP, nie należy uruchamiać silnika.
- Opary są łatwopalne, dlatego nie należy używać płynów rozruchowych pod ciśnieniem.

### Podczas obsługi urządzenia

- Silnika ani urządzenia nie należy przechylać pod kątem, gdyż może to spowodować rozlanie paliwa.
- Nie włączać ssania gaźnika (jeżeli jest na wyposażeniu) aby zatrzymać silnik.
- Nie należy włączać silnika ze zdjętym zestawem do oczyszczania powietrza (jeśli znajduje się na wyposażeniu) lub filtrem powietrza (jeśli znajduje się na wyposażeniu).

### Przeprowadzanie konserwacji

- W przypadku spuszczenia oleju z górnej rurki wlewu oleju zbiornik paliwa musi być pusty. Jeśli nie jest pusty, może dojść do wycieku paliwa, co może doprowadzić do pożaru lub wybuchu.
- Podczas konserwacji, jeśli konieczne jest przechylenie urządzenia, należy upewnić się, że zbiornik paliwa, jeżeli jest zamontowany na silniku, jest pusty i że strona świecy zapłonowej jest skierowana do góry. Jeśli zbiornik paliwa nie jest pusty, może nastąpić wyciek, który może spowodować pożar lub wybuch.
- Często sprawdzać przewody paliwowe, zbiornik paliwa, korek wlewu paliwa i połączenia pod kątem pęknięć lub wycieków. Wymienić uszkodzone części.



- Nie manipulować przy sprężynie regulatora prędkości silnika, łącznikach i innych częściach w celu zwiększenia prędkości silnika.
- Nie uderzać w koło zamachowe młotkiem lub innymi twardymi przedmiotami. Może to spowodować awarię koła zamachowego podczas pracy.
- Należy stosować takie same części zamiennie i instalować je w tym samym położeniu, co części oryginalne. Inne części mogą spowodować uszkodzenie lub obrażenia.

#### Po zmianie lokalizacji sprzętu

- Upewnić się, że zbiornik paliwa jest PUSTY lub że zawór odcinający paliwo znajduje się w pozycji ZAMKNIĘTEJ.

#### Gdy paliwo lub sprzęt jest w magazynie z paliwem w zbiorniku paliwa

- Ponieważ lampki kontrolne lub inne źródła zapłonu mogą powodować wybuchy, należy trzymać paliwo lub sprzęt z dala od pieców, podgrzewaczy wody lub innych urządzeń wyposażonych w lampki kontrolne.



#### OSTRZEŻENIE

Paliwo i jego opary są łatwopalne i wybuchowe. Pożar lub wybuch mogą spowodować poważne poparzenia lub doprowadzić do śmierci.

#### Rozruch silnika powoduje iskrę, która może spowodować pożar lub wybuch.

- Jeśli w pobliżu występuje wyciek gazu naturalnego lub LP, nie należy uruchamiać silnika.
- Opary są łatwopalne, dlatego nie należy używać płynów rozruchowych pod ciśnieniem.



#### OSTRZEŻENIE

**ZAGROŻENIE TRUJĄCYM GAZEM.** Gazy wylotowe z silnika zawierają tlenek węgla, trujący gaz, który w ciągu kilku minut może spowodować śmiertelne zatrucie. Nawet jeśli użytkownik nie wyczuwa gazów wylotowych, może być narażony na działanie tlenku węgla. W przypadku odczuwania mdłości, zawrotów głowy lub osłabienia w trakcie pracy z tym urządzeniem należy je NATYCHMIAST wyłączyć i wyjść na świeże powietrze. Skontaktować się z lekarzem. Mogło dojść do zatrucia tlenkiem węgla.

- Gazowy tlenek węgla może gromadzić się w zajmowanych miejscach. Aby zmniejszyć ryzyko emisji tlenku węgla, należy używać tego produktu TYLKO na zewnątrz, z dala od okien, drzwi i otworów wentylacyjnych.
- Zamontować urządzenia alarmujące o obecności tlenku węgla z zasilaniem bateryjnym lub zasilane prądem sieciowym z baterią podtrzymującą, zgodnie z instrukcjami producenta. Alarmy dymowe nie wykrywają obecności tlenku węgla.
- NIE WOLNO uruchamiać urządzenia w domu, garażu, piwnicy, przestrzeni podpodłogowej, szopach i innych zamkniętych pomieszczeniach, nawet jeśli włączone są wiatraki lub otwarte drzwi i okna. Po działaniu tego produktu tlenek węgla może szybko zebrać się w tych przestrzeniach i pozostać przez wiele godzin.
- ZAWSZE umieszczaj ten produkt z wiatrem i kierując wylot spalin silnika w kierunku przeciwnym od miejsca, w którym stoją ludzie.



#### OSTRZEŻENIE

Szybkie wciąganie linki rozrusznika (odbicie) bardzo mocno szarpnie rękę w kierunku silnika. Może to spowodować złamania kości, pęknięcia, zranienia lub zwichnięcia.

- Aby zapobiec odbiciu podczas uruchamiania silnika, powoli pociągaj linkę rozrusznika, aż do oporu, a następnie pociągnij szybko.
- Przed uruchomieniem silnika należy odłączyć lub usunąć wszystkie urządzenia zewnętrzne i obciążenia silnika.
- Upewnić się, że elementy wyposażenia sprzętu bezpośrednio, takie jak, ale nie wyłącznie, topaty, wirniki, koła pasowe i koła łańcuchowe, są prawidłowo zamocowane.



#### OSTRZEŻENIE

Części obrotowe mogą wejść w styczeń lub chwycić ręce, stopy, włosy, ubranie lub wyposażenie. Może to prowadzić do powodującej uraz psychiczny amputacji lub okaleczenia.

- Obsługiwać sprzęt z prawidłowo zainstalowanymi osłonami.
- Ręce i stopy muszą znajdować się z dala od części wirujących.
- Zdjąć biżuterię i upewnić się, że długie włosy są z dala od wszystkich obracających się części.
- Nie nosić luźnych ubrań ani przedmiotów, które mogłyby zostać pochwycone.



#### OSTRZEŻENIE

Podczas pracy silnik i tłumik nagrzewają się. Dotknięcie gorącego silnika może spowodować oparzenia termiczne.

Łatwopalne pozostałości, takie jak liście, trawa i inne zanieczyszczenia mogą się łatwo zapalić.

- Przed dotknięciem silnika lub tłumika zatrzymać silnik i odczekać dwie (2) minuty. Upewnić się, że silnik i tłumik są bezpieczne w dotyku.
- Usunąć zanieczyszczenia z tłumika i silnika.

Używanie lub obsługiwanie silnika na terenie zalesionym, zakrzewionym lub trawiastym, jeśli układ wydechowy silnika nie jest wyposażony w sprawny iskrochron, stanowi naruszenie przepisu 4442 kalifornijskiego kodeksu California Public Resource Code. Inne stany lub federalne jurysdykcje mogą mieć podobne prawa; odniesienie Federalna regulacja 36 CFR część 261.52. Skontaktować się z producentem oryginalnego sprzętu, sprzedawcą detalicznym lub dealerem, aby uzyskać iskrochron przeznaczony do układu wydechowego, zainstalowanego na tym silniku.



#### OSTRZEŻENIE

Przypadkowa iskra silnika może spowodować porażenie prądem, pożar lub wybuch i może doprowadzić do splątania, traumatycznej amputacji lub zranienia.

#### Przed dokonaniem korekt lub napraw:

- Odłączyć przewody wszystkich świec zapłonowych i trzymać je z dala od świec.
- Odłączyć przewód akumulatora od ujemnego zacisku akumulatora (tylko silniki z zapłonem elektrycznym).
- Używać wyłącznie odpowiednich narzędzi.

#### Podczas sprawdzania iskry:

- Użyć atestowanego testera świec zapłonowych.
- Nie należy sprawdzać iskry przy wyjętej świecy zapłonowej.



#### OSTRZEŻENIE

Paliwa są łatwopalne, a ich opary mogą wybuchać. Pożar lub wybuch mogą spowodować poważne poparzenia lub doprowadzić do śmierci.

#### W przypadku wycucia gazu

- Nie uruchamiać silnika.
- Nie włączać przełączników elektrycznych.
- Nie używać telefonu w pobliżu miejsca wycucia gazu.
- Ewakuuj wszystkie istoty żywe z miejsca wycieku.
- Skontaktować się z dostawcą gazu lub strażą pożarną.

## Budowa i elementy obsługowe

### Elementy obsługowe

Należy dopasować litery odwołania na rys. 1, 2, 3i 4 z elementami sterowania silnika na następującej liście:

- Identyfikacja silnika **Model – Typ – Kod**
- Świeca zapłonowa
- Filtr powietrza (bez zbiornika paliwa)
- Filtr powietrza (ze zbiornikiem paliwa)
- Prętowy wskaźnik poziomu oleju
- Wlew oleju
- Filtr oleju (jeśli jest na wyposażeniu)
- Korek spustu oleju
- Czujnik ciśnienia oleju
- Ostona palców
- Rozrusznik elektryczny
- Rozrusznik samopowrotny (jeśli jest na wyposażeniu)
- Gaźnik — modele gaźników
- Tłumik
- Pompa paliwa
- Wyłącznik rozrusznika<sup>1</sup>
- Dźwignia sterowania przepustnicą<sup>1</sup>
- Sterowanie kolektorem ssącym<sup>1</sup>
- Filtr paliwa (jeśli jest na wyposażeniu)
- Zbiornik paliwa

- U. Zawór odcinający dopływ paliwa (jeżeli jest na wyposażeniu)<sup>1</sup>
- V. Wylłącznik (jeżeli jest na wyposażeniu)<sup>1</sup>
- W. Chłodnica oleju (jeżeli jest na wyposażeniu)
- X. Moduł pompy paliwa — Modele EFI
- Y. Elektroniczny moduł sterowania — Modele EFI
- Z. Wtryskiwacz paliwa — Modele EFI

<sup>1</sup> W niektórych silnikach i wyposażeniu zastosowano układy sterowania zdalnego. Położenie i sposób obsługi elementów zdalnego sterowania opisano w instrukcji wyposażenia.

- Upewnić się, że silnik jest wypoziomowany.
- Oczyszczyć z wszelkich zanieczyszczeń obszar wlewu oleju.
- Informacje na temat pojemności oleju można znaleźć w sekcji **Dane techniczne**.

#### UWAGA

Firma Briggs & Stratton dostarcza silnik bez oleju. Producenci lub sprzedawcy wyposażenia mogli wlać olej do silnika. Przed pierwszym uruchomieniem silnika upewnić się, że poziom oleju jest prawidłowy. Dolać olej zgodnie z instrukcjami zawartymi w tej instrukcji. W przypadku uruchomienia silnika bez oleju nastąpi uszkodzenie i silnik nie będzie naprawiany w ramach gwarancji.

1. Wyjąć wskaźnik prętotwy (A, rys. 5) i wytrzeć ściereczką.
2. Zamocować i dokręcić wskaźnik prętotwy (A, rys. 5).
3. Wyjąć wskaźnik i sprawdzić poziom oleju. Upewnić się, że poziom oleju sięga górnego znacznika na wskaźniku (B, rys. 5).
4. Jeśli poziom oleju silnikowego jest niski, należy go powoli uzupełnić (C, rys. 5). Nie należy uzupełniać poziomu zbyt dużą ilością oleju.
5. Po nalaniu oleju odczekać jedną minutę i sprawdzić poziom oleju ponownie. Upewnić się, że poziom oleju jest prawidłowy.
6. Zamocować i dokręcić wskaźnik prętotwy (A, rys. 5).

## Symbole sterowania i ich znaczenia — silnik

 Prędkość silnika — SZYBKO	 Prędkość silnika — WOLNO
 Prędkość silnika — ZATRZYMANIE	 WŁ.–WYŁ
 Zapłon silnika Ssanie ZAMKNIĘTE	 Zapłon silnika Ssanie OTWARTE
 Korek wlewu paliwa Zawór odcinający paliwo – OTWARTY	 Zawór odcinający paliwo – ZAMKNIĘTY

## System ochrony przed niskim poziomem oleju (jeżeli jest na wyposażeniu)

Czujnik niskiego poziomu oleju jest zainstalowany w niektórych silnikach. Jeśli poziom oleju jest niski, czujnik wyświetli lampkę ostrzegawczą lub zatrzyma silnik. Zatrzyma silnik i wykonać poniższe czynności przed uruchomieniem silnika.

- Upewnić się, że silnik jest wypoziomowany.
- Wykonać kontrolę oleju. Patrz rozdział **Kontrola poziomu oleju**.
- Jeśli poziom oleju jest niski, dodać odpowiednią ilość oleju. Uruchomić silnik i upewnić się, że lampka kontrolna (jeśli jest w wyposażeniu) nie zapala się.
- Jeśli poziom oleju nie jest niski, nie uruchamiać silnika. Skontaktować się z autoryzowanym dealerm serwisowym Briggs & Stratton, aby naprawić problem z olejem.

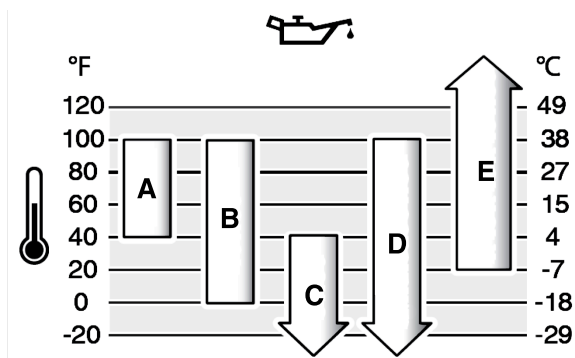
## Obsługa

### Zalecenia dotyczące oleju

**Pojemność miski olejowej:** Informacje na ten temat można znaleźć w sekcji **Dane techniczne**.

Aby osiągnąć najlepszą wydajność, zaleca się stosowanie olejów z certyfikatem gwarancji firmy Briggs & Stratton®. Dopuszczalne jest stosowanie innych wysokiej jakości olejów detergentowych klas SF, SG, SH, SJ lub wyższych. Nie używać dodatków specjalnych.

Najlepszą lepkość dla zakresu temperatur zewnętrznych należy wybrać przy użyciu wykresu. W większości urządzeń elektrycznych użytkowanych na zewnątrz silniki działają dobrze z olejem syntetycznym 5W-30. W przypadku urządzeń użytkowanych w wysokich temperaturach najlepszą ochronę zapewnia olej syntetyczny Vanguard® 15W-50.



A	SAE 30 – Jeśli olej SAE 30 zostanie użyty w temperaturze poniżej 40°F (4°C), wystąpią trudności z uruchomieniem silnika.
B	10W-30 – W temperaturach powyżej 80°F (27°C) stosowanie oleju 10W-30 może spowodować zwiększone zużycie oleju. Często sprawdzaj poziom oleju.
C	5W-30
D	Syntetyczny 5W-30
E	Vanguard® syntetyczny 15W-50

## Zalecenia dotyczące paliwa

**Paliwo musi spełniać następujące wymogi:**

- Czyste, świeże, bezołowiowe.
- Minimalna liczba oktanowa 87/87 AKI (91 RON). Zastosowanie na dużej wysokości, patrz poniżej.
- Dozwolona jest benzyna z maksymalnie 10% zawartością etanolu (gazohol).

#### UWAGA

Nie stosować niezatwierdzonych benzyn, takich jak E15 czy E85. Nie mieszać oleju z benzyną ani nie modyfikować silnika w celu dostosowania go do pracy na alternatywnych paliwach. Użycie niezatwierdzonych paliw może doprowadzić do nieobjętych gwarancją uszkodzeń podzespołów silnika.

Aby uchronić układ paliwowy od tworzenia się żywic i przed korozją, dodać do paliwa mieszanekę bezalkoholowego stabilizatora paliwa i etanolu. Patrz rozdział **Przechowywanie**. Każde paliwo jest inne. Jeśli wystąpią problemy z rozruchem lub wydajnością, należy zmienić dostawcę lub gatunek paliwa. Jest to silnik benzynowy. System kontroli emisji spalin do silników gaźnikowych to EM (modyfikacje silników). Systemy kontroli emisji spalin do silników z elektronicznym wtryskiem paliwa to ECM (moduł sterowania silnikiem), MFI (wielopunktowy wtrysk paliwa), TBI (wtrysk paliwa do korpusu przepustnicy) oraz O2S (czujnik tlenu), jeżeli jest stosowany.

#### Duże wysokości

Na wysokościach powyżej 5000 stóp (1524 metrów), dopuszczalna jest benzyna co najmniej 85 oktanowa/85 AKI (89 RON).

W przypadku silników gaźnikowych, aby zachować ich sprawność, wymagana jest regulacja dla dużych wysokości. Praca bez takiej regulacji spowoduje obniżenie wydajności, zwiększenie zużycia paliwa i zwiększy emisję spalin. Informacje na temat regulacji dla dużych wysokości można uzyskać u Autoryzowanego dealera serwisowego firmy Briggs & Stratton. Nie zaleca się eksploatacji silnika z regulacją dla dużych wysokości na wysokościach poniżej 2500 stóp (762 metrów).

W przypadku silników z elektronicznym wtryskiem paliwa (EFI) nie jest potrzebna regulacja na dużych wysokościach.

## Sprawdzić poziom oleju w silniku

Przed sprawdzeniem lub dolaniem oleju

## Uzupełnianie paliwa



### OSTRZEŻENIE

Paliwo i jego opary są łatwopalne i wybuchowe. Pożar lub wybuch mogą spowodować poważne poparzenia lub doprowadzić do śmierci.

#### Przy dolewaniu paliwa należy

- Wyłączyć silnik. Przed zdjęciem korka wlewu odczekaj co najmniej dwie (2) minuty, aby upewnić się, że silnik jest chłodny.
  - Napełnić zbiornik paliwa na zewnątrz lub w miejscu o dobrym przepływie powietrza.
  - Nie wlewać zbyt dużo paliwa do zbiornika. Aby zapewnić rozprężanie paliwa, nie należy napełniać zbiornika paliwa powyżej dolnej części szyjki wlewu paliwa.
  - Nie wolno trzymać paliwa w pobliżu źródeł iskier, nieostłoniętych płomieni, płomieni pilota, źródła ciepła lub innych źródeł zapłonu.
  - Często sprawdzać przewody paliwowe, zbiornik paliwa, korek wlewu paliwa i połączenia pod kątem pęknięć lub wycieków. Wymienić uszkodzone części.
  - Jeśli paliwo rozleje się, należy poczekać, aż odparuje, przed włączeniem silnika.
1. Obszar wlewu paliwa oczyścić z wszelkich zanieczyszczeń i osadów. Odkręcić korek wlewu paliwa.
  2. Napełnić zbiornik paliwa (A, rysunek 6) paliwem. Ponieważ paliwo się rozszerza, nie napełniać go powyżej dna szyjki zbiornika paliwa (B).
  3. Założyć korek wlewu paliwa.

## Uruchamianie silnika



### OSTRZEŻENIE

Przypadkowa iskra silnika może spowodować porażenie prądem, pożar lub wybuch i może doprowadzić do spłątania, traumatycznej amputacji lub zranienia.

#### Przed dokonaniem korekt lub napraw:

- Odlączyć przewody wszystkich świec zapłonowych i trzymać je z dala od świec.
- Odlączyć przewód akumulatora od ujemnego zacisku akumulatora (tylko silniki z zapłonem elektrycznym).
- Używać wyłącznie odpowiednich narzędzi.

#### Podczas sprawdzania iskry:

- Użyć atestowanego testera świec zapłonowych.
- Nie należy sprawdzać iskry przy wyjętej świecy zapłonowej.



### OSTRZEŻENIE

Szybkie wciąganie linki rozrusznika (odbicie) bardzo mocno szarpnie rękę w kierunku silnika. Może to spowodować złamania kości, pęknięcia, zranienia lub zwichnięcia.

- Aby zapobiec odbiciu podczas uruchamiania silnika, powoli pociągnąć linkę rozrusznika, aż do oporu, a następnie pociągnąć szybko.
- Przed uruchomieniem silnika należy odłączyć lub usunąć wszystkie urządzenia zewnętrzne i obciążenia silnika.
- Upewnić się, że elementy wyposażenia sprzężone bezpośrednio, takie jak, ale nie wyłącznie, łopaty, wirniki, koła pasowe i koła łańcuchowe, są prawidłowo zamocowane.



### OSTRZEŻENIE

**ZAGROŻENIE TRUJĄCYM GAZEM.** Gazy wylotowe z silnika zawierają tlenek węgla, trujący gaz, który w ciągu kilku minut może spowodować śmiertelne zatrucie. Nawet jeśli użytkownik nie wyczuwa gazów wylotowych, może być narażony na działanie tlenku węgla. W przypadku odczuwania mdłości, zawrotów głowy lub osłabienia w trakcie pracy z tym urządzeniem należy je NATYCHMIAST wyłączyć i wyjść na świeże powietrze. Skontaktować się z lekarzem. Mogło dojść do zatrucia tlenkiem węgla.

- Gazowy tlenek węgla może gromadzić się w zamkniętych miejscach. Aby zmniejszyć ryzyko emisji tlenku węgla, należy używać tego produktu TYLKO na zewnątrz, z dala od okien, drzwi i otworów wentylacyjnych.
- Zamontować urządzenia alarmujące o obecności tlenku węgla z zasilaniem bateryjnym lub zasilane prądem sieciowym z baterią podtrzymującą, zgodnie z instrukcjami producenta. Alarmy dymowe nie wykrywają obecności tlenku węgla.
- **NIE WOLNO** uruchamiać urządzenia w domu, garażu, piwnicy, przestrzeni podpodłogowej, szopach i innych zamkniętych pomieszczeniach, nawet jeśli włączone są wiatraki lub otwarte drzwi i okna. Po działaniu tego produktu tlenek węgla może szybko zebrać się w tych przestrzeniach i pozostać przez wiele godzin.
- **ZAWSZE** umieszczać ten produkt z wiatrem i kierując wylot spalin silnika w kierunku przeciwnym od miejsca, w którym stoją ludzie.

### UWAGA

Firma Briggs & Stratton dostarcza silnik bez oleju. Producenci lub sprzedawcy wyposażenia mogli wlać olej do silnika. Przed pierwszym uruchomieniem silnika upewnić się, że poziom oleju jest prawidłowy. Dolać olej zgodnie z instrukcjami zawartymi w tej instrukcji. W przypadku uruchomienia silnika bez oleju nastąpi uszkodzenie i silnik nie będzie naprawiany w ramach gwarancji.

**UWAGA:** Twój sprzęt może mieć zdalne sterowanie. Położenie i sposób obsługi elementów zdalnego sterowania opisano w instrukcji wyposażenia.

#### Rodzaje układów rozruchowych

Przed uruchomieniem silnika należy określić rodzaj układu rozruchowego zastosowanego w danym silniku. Twój silnik posiada jeden z tych typów systemów.

- **Elektroniczny wtrysk paliwa (EFI):** Układ EFI nie jest wyposażony w ssanie ani pompkę zastrzykową.
- **Elektroniczny układ zarządzania paliwem:** Elektroniczny system zarządzania paliwem jest wyposażony w elektroniczny moduł sterowania, który monitoruje warunki panujące w silniku i temperaturę. Nie jest on wyposażony w ssanie ręczne ani pompkę zastrzykową.
- **Układ przepustnicy ssania:** Ten rodzaj układu jest wyposażony w ssanie, z którego należy korzystać w przypadku niskiej temperatury. Niektóre modele mają osobne układy sterowania manetką ssania, podczas gdy w innych układy sterowania manetką ssania i przepustnicą są ze sobą połączone. W tym modelu nie stosuje się pompy zastrzykowej.

#### Układ elektronicznego wtrysku paliwa (EFI)

1. Sprawdzić poziom oleju w silniku. Zob. część **Kontrola poziomu oleju**.
2. Upewnić się, że elementy sterowania napędem są odłączone (jeśli są zamontowane).
3. Przekręcić zawór odcinający dopływ paliwa (A, rysunek 7), jeśli jest na wyposażeniu, do położenia OTWÓRZ.
4. Ustawić wyłącznik (F, rys. 7, 8), jeżeli jest na wyposażeniu, w położeniu WŁĄCZONY.
5. Przesunąć dźwignię sterowania przepustnicą (B, rys. 8), jeżeli jest na wyposażeniu, do położenia SZYBKO. Urządzenie należy eksploatować z ustawieniem obrotów silnika na SZYBKO.
6. **Rozrusznik linkowy samopowrotny, jeśli znajduje się na wyposażeniu, z wyłącznikiem kluczykowym:** Obrócić wyłącznik kluczykowy (D, rys. 7, 8) do położenia WŁĄCZONY.
7. **Rozrusznik linkowy samopowrotny, jeśli znajduje się na wyposażeniu:** Mocno przytrzymać uchwyt linki rozrusznika (E, rys. 7, 8). Powoli pociągnąć linkę rozrusznika aż do wycucia oporu i wtedy pociągnąć energicznie.



### OSTRZEŻENIE

Szybkie szarpnięcie linki rozrusznika (odrzut) pociągnie rękę do silnika szybciej, niż operator będzie mógł nad tym zapanować. Może to spowodować złamania, pęknięcia kości lub zwichnięcia. Aby zapobiec odbiciu podczas uruchamiania silnika, powoli pociągnąć linkę rozrusznika, aż do oporu, a następnie pociągnąć szybko.

8. **Rozrusznik elektryczny, jeżeli jest na wyposażeniu:** Obrócić wyłącznik zapłonu (D, rys. 7, 8) w położenie WŁĄCZONY lub START.

**UWAGA** Aby przedłużyć żywotność rozrusznika, należy stosować krótkie cykle rozruchu (maks. pięć sekund). Pomiędzy cyklami rozruchu zawsze odczekać jedną minutę.

Jeśli po 3–4 próbach silnik nie uruchomi się, należy się skontaktować z lokalnym dealerem, odwiedzić stronę internetową pod adresem [vanguardpower.com](http://vanguardpower.com) lub zadzwonić pod numer 1-800-999-9333.

#### Elektroniczny system zarządzania paliwem

1. Sprawdzić poziom oleju w silniku. Zob. część **Kontrola poziomu oleju**.
2. Upewnić się, że elementy sterowania napędem są odłączone (jeśli są zamontowane).
3. Przekręcić zawór odcinający dopływ paliwa (A, rysunek 7), jeśli jest na wyposażeniu, do położenia OTWÓRZ.
4. Ustawić wyłącznik (F, rys. 7, 8), jeżeli jest na wyposażeniu, w położeniu WŁĄCZONY.
5. Przesunąć dźwignię sterowania przepustnicą (B, rys. 8), jeżeli jest na wyposażeniu, do położenia SZYBKO. Urządzenie należy eksploatować z ustawieniem obrotów silnika na SZYBKO.
6. **Rozrusznik linkowy samopowrotny, jeśli znajduje się na wyposażeniu, z wyłącznikiem kluczykowym:** Obrócić wyłącznik kluczykowy (D, rys. 7, 8) do położenia WŁĄCZONY.

7. **Rozrusznik linkowy samopowrotny, jeśli znajduje się na wyposażeniu:** Mocno przytrzymać uchwyt linki rozrusznika (E, rys. 7, 8). Powoli pociągnąć linkę rozrusznika aż do wycucia oporu i wtedy pociągnąć energicznie.



#### OSTRZEŻENIE

Szybkie szarpnięcie linki rozrusznika (odrzut) pociągnie rękę do silnika szybciej, niż operator będzie mógł nad tym zapanować. Może to spowodować złamanie, pęknięcia kości lub zwichnięcia. Aby zapobiec odbiciu podczas uruchamiania silnika, powoli pociągnąć linkę rozrusznika, aż do oporu, a następnie pociągnąć szybko.

8. **Rozrusznik elektryczny, jeżeli jest na wyposażeniu:** Obrócić wyłącznik zapłonu (D, rys. 7, 8) w położenie WŁĄCZONY lub START.

**UWAGA** Aby przedłużyć żywotność rozrusznika, należy stosować krótkie cykle rozruchu (maks. pięć sekund). Pomiędzy cyklami rozruchu zawsze odczekać jedną minutę.

Jeśli po 3–4 próbach silnik nie uruchomi się, należy się skontaktować z lokalnym dealerem, odwiedzić stronę internetową pod adresem [vanguardpower.com](http://vanguardpower.com) lub zadzwonić pod numer 1-800-999-9333.

### Układ przepustnicy ssania

1. Sprawdzić poziom oleju w silniku. Patrz część **Sprawdzanie i uzupełnianie poziomu oleju**.
2. Upewnić się, że elementy sterowania napędem są odłączone (jeśli są zamontowane).
3. Przekręcić zawór odcinający dopływ paliwa (A, rysunek 7), jeśli jest na wyposażeniu, do położenia OTWARTEGO.
4. Ustawić wyłącznik (F, rys. 7, 8), jeżeli jest na wyposażeniu, w położeniu WŁĄCZONY.
5. Przesunąć dźwignię sterowania przepustnicą (B, rys. 7), jeżeli jest na wyposażeniu, do położenia SZYBKO. Urządzenie należy eksploatować z ustawieniem obrotów silnika na SZYBKO.
6. Przesunąć manetkę ssania (C, rys. 9, 10) do położenia ZAMKNIĘTE.

**UWAGA:** Ssanie jest zwykle niepotrzebne podczas uruchamiania ciepłego silnika.

7. **Rozrusznik linkowy samopowrotny, jeśli znajduje się na wyposażeniu, z wyłącznikiem kluczykowym:** Obrócić wyłącznik kluczykowy (D, rys. 7, 8) do położenia WŁĄCZONY.
8. **Rozrusznik linkowy samopowrotny, jeśli znajduje się na wyposażeniu:** Mocno przytrzymać uchwyt linki rozrusznika (E, rys. 7, 8). Powoli pociągnąć linkę rozrusznika (E) aż do wycucia oporu i wtedy pociągnąć energicznie.



#### OSTRZEŻENIE

Szybkie szarpnięcie linki rozrusznika (odrzut) pociągnie rękę do silnika szybciej, niż operator będzie mógł nad tym zapanować. Może to spowodować złamanie, pęknięcia kości lub zwichnięcia. Aby zapobiec odbiciu podczas uruchamiania silnika, powoli pociągnąć linkę rozrusznika, aż do oporu, a następnie pociągnąć szybko.

9. **Uruchomienie elektryczne, jeśli jest na wyposażeniu:** obrócić kluczyk zapłonu (D, rys. 7, 8) w położenie WŁĄCZONY lub START.

#### UWAGA

Aby przedłużyć żywotność rozrusznika, należy stosować krótkie cykle rozruchu (maks. pięć sekund). Pomiędzy cyklami rozruchu zawsze odczekać jedną minutę.

10. W miarę rozgrzewania się silnika przesunąć manetkę ssania (C, rys. 9, 10) do położenia OTWÓRZ.

**UWAGA:** Jeśli po 2–3 próbach silnik nie zostanie uruchomiony, należy skontaktować się z lokalnym dealerem lub odwiedzić stronę internetową pod adresem [vanguardpower.com](http://vanguardpower.com) lub zadzwonić pod numer 1-800-999-9333.

### Wyłączanie silnika



#### OSTRZEŻENIE

**Paliwo i jego opary są łatwopalne i wybuchowe. Pożar lub wybuch mogą spowodować poważne poparzenia lub doprowadzić do śmierci.**

- Nie włączać ssania gaźnika (jeżeli jest na wyposażeniu) aby zatrzymać silnik.

1. **Wyłącznik, jeżeli jest na wyposażeniu:** Ustawić wyłącznik (F, rys. 11) w położeniu WYŁĄCZONY.
2. **Wyłącznik kluczykowy, jeśli znajduje się na wyposażeniu:** Gdy dźwignia sterowania przepustnicą, jeśli jest na wyposażeniu, znajduje się w położeniu WOLNO, obrócić wyłącznik kluczykowy (D, rys. 11) do położenia WYŁĄCZONY. Wyjąć kluczyk i przechowywać go w miejscu niedostępnym dla dzieci.

3. Po wyłączeniu silnika przekręcić zawór odcinający paliwo (A, rys. 11), jeżeli jest na wyposażeniu, w ustawienie ZAMKNIĘTE.

## Konserwacja

### Informacje o konserwacji



#### OSTRZEŻENIE

**Paliwo i jego opary są łatwopalne i wybuchowe. Pożar lub wybuch mogą spowodować poważne poparzenia lub doprowadzić do śmierci.**

Podczas konserwacji, jeśli konieczne jest przechylenie urządzenia, należy upewnić się, że zbiornik paliwa, jeżeli jest zamontowany na silniku, jest pusty i że strona świecy zapłonowej jest skierowana do góry. Jeśli zbiornik paliwa nie jest pusty, może nastąpić wyciek, który może spowodować pożar lub wybuch. Jeśli silnik zostanie przechylny w innym kierunku, nie będzie można go łatwo uruchomić z powodu zanieczyszczenia olejem lub paliwem filtra powietrza lub świecy zapłonowej.



#### OSTRZEŻENIE

**Przypadkowa iskra silnika może spowodować porażenie prądem, pożar lub wybuch i może doprowadzić do splątania, traumatycznej amputacji lub zranienia.**

#### Przed dokonaniem korekt lub napraw:

- Odłączyć przewody wszystkich świec zapłonowych i trzymać je z dala od świec.
- Odłączyć przewód akumulatora od ujemnego zacisku akumulatora (tylko silniki z zapłonem elektrycznym).
- Używać wyłącznie odpowiednich narzędzi.

#### Podczas sprawdzania iskry:

- Użyć atestowanego testera świec zapłonowych.
- Nie należy sprawdzać iskry przy wyjętej świecy zapłonowej.



#### OSTRZEŻENIE

Należy stosować takie same części zamienne i instalować je w tym samym położeniu, co części oryginalne. Inne części mogą spowodować uszkodzenie lub obrażenia.

#### UWAGA

W celu zapewnienia prawidłowego działania silnika wszystkie elementy wykorzystane do jego wytworzenia muszą pozostawać na swoim miejscu.

Zalecamy skontaktowanie się z autoryzowanym dealerem serwisowym Briggs & Stratton w kwestiach konserwacji i napraw silnika oraz jego części.

### Kontrola emisji

**Konserwację, wymianę lub naprawę urządzeń i układów kontroli emisji może wykonywać wykwalifikowany warsztat naprawy silników niedrogowych lub serwisant.** Aby jednak skorzystać z bezpłatnej usługi kontroli emisji, pracę tę musi wykonać autoryzowany dealer fabryczny. Zobacz oświadczenia w sprawie ograniczenia emisji.

### Harmonogram konserwacji

Co 8 godzin lub codziennie
<ul style="list-style-type: none"> <li>• Sprawdzić poziom oleju w silniku.</li> <li>• Czyszczenie obszaru dookoła tłumika i elementów sterowania.</li> </ul>
Co 100 godzin lub raz w roku
<ul style="list-style-type: none"> <li>• Wymienić świece zapłonowe.</li> <li>• Wymienić olej w silniku.</li> <li>• Wymienić filtr oleju (jeśli jest na wyposażeniu).</li> <li>• Serwisować filtr powietrza <sup>1</sup>.</li> <li>• Umyć filtr wstępny (jeżeli jest na wyposażeniu) <sup>1</sup>.</li> <li>• Serwisować układ wydechowy.</li> </ul>
Co 250 godzin lub raz w roku
<ul style="list-style-type: none"> <li>• Sprawdzić luz zaworowy. W razie potrzeby wyregulować.</li> </ul>
Co 400 godzin lub raz w roku
<ul style="list-style-type: none"> <li>• Wymienić filtr powietrza.</li> <li>• Wymienić filtr paliwa</li> <li>• Serwisować układ chłodzenia powietrzem <sup>1</sup>.</li> <li>• Wyczyścić żeberka chłodnicy oleju <sup>1</sup>.</li> </ul>



<sup>1</sup> Czyścić częściej w warunkach dużego zapylenia lub przy obecności zanieczyszczeń w powietrzu.

## Układ elektronicznego wtrysku paliwa (EFI)

Układ EFI monitoruje temperaturę i prędkość silnika oraz napięcie akumulatora podczas uruchamiania i nagrzewania silnika. Układ ten nie wymaga regulacji. W przypadku problemów z uruchomieniem lub działaniem należy się skontaktować z autoryzowanym dealerem serwisowym firmy Briggs & Stratton.

**UWAGA** Postępować w sposób opisany poniżej; w przeciwnym razie może dojść do uszkodzenia układu EFI.

- NIE uruchamiać silnika, jeśli przewody akumulatora są luźne.
- Przed rozłączeniem, wyjęciem i/lub włożeniem akumulatora zawsze ustawić kluczyk w pozycji WYŁĄCZONY.
- NIE uruchamiać silnika z podłączoną ładowarką akumulatora.
- NIE rozłączać przewodów akumulatora w trakcie pracy silnika.
- Podczas podłączania przewodów do akumulatora najpierw podłączyć przewód dodatni (+), a następnie ujemny (-).
- Na czas ładowania akumulatora ustawić przełącznik zapłonu w pozycji WYŁĄCZONY i odłączyć przewód ujemny (-) od akumulatora.
- NIE natryskiwać wody bezpośrednio na elektroniczny moduł sterujący.

## Elektroniczny system zarządzania paliwem

Elektroniczny system zarządzania paliwem monitoruje temperaturę i prędkość silnika oraz napięcie akumulatora, aby odpowiednio regulować ssanie podczas uruchamiania i nagrzewania silnika. Układ ten nie wymaga regulacji. W przypadku problemów z uruchomieniem lub działaniem należy się skontaktować z autoryzowanym dealerem serwisowym firmy Briggs & Stratton.

**UWAGA** Należy zastosować się do poniższych instrukcji. W przeciwnym razie może dojść do uszkodzenia elektronicznego systemu zarządzania paliwem.

- NIE uruchamiać silnika, jeśli przewody akumulatora są luźne.
- Przed podłączeniem przewodów rozruchowych, odłączeniem lub ponownym podłączeniem przewodów akumulatora należy obrócić przełącznik zapłonu w położenie WYŁĄCZENIA. Podczas ładowania akumulatora przełącznik zapłonu musi znajdować się w położeniu WYŁĄCZONYM.
- Podczas odłączenia przewodów od akumulatora należy odłączyć przewód ujemny (-), a następnie przewód dodatni (+) akumulatora. Podczas podłączenia przewodów do akumulatora należy podłączyć do niego najpierw przewód dodatni (+), a następnie ujemny (-).
- NIE uruchamiać silnika z podłączoną ładowarką akumulatora.
- NIE rozłączać przewodów akumulatora w trakcie pracy silnika.
- NIE natryskiwać wody bezpośrednio na elektroniczną jednostkę sterującą.

## Gaźnik i prędkość silnika

Nie manipulować przy gaźniku, sprężynie regulatora, łącznikach ani innych częściach, aby zmienić prędkość silnika. Jeśli wymagane są regulacje, skontaktować się z autoryzowanym punktem serwisowym Briggs & Stratton.

### UWAGA

Prędkość maksymalna dla silnika zainstalowanego w danym urządzeniu jest określona przez producenta wyposażenia. Nie wolno przekraczać tej prędkości. W przypadku braku pewności, jaka jest maksymalna prędkość wyposażenia lub jakie jest ustawienie fabryczne prędkości silnika, skontaktować się z autoryzowanym punktem serwisowym Briggs & Stratton, aby uzyskać pomoc. Dla bezpiecznego i prawidłowego działania wyposażenia, prędkość obrotowa silnika powinna być regulowana wyłącznie przez wykwalifikowanego serwisanta.

## Serwisowanie świecy zapłonowej

Sprawdzić szczelność świecy (A, rys. 12) za pomocą szczelnomierza (B). Jeżeli konieczne, ponownie ustawić szczelność świecy. Zamontować i przykręcić świecę zapłonową z prawidłowym momentem obrotowym. Dane techniczne dotyczące odstępu i momentu obrotowego znajdują się w rozdziale **Dane techniczne**.

## Serwisowanie układu wydechowego



**OSTRZEŻENIE** Podczas pracy silnik i tłumik nagrzewają się. Dotknięcie gorącego silnika może spowodować oparzenia termiczne.

**Łatwopalne pozostałości, takie jak liście, trawa i inne zanieczyszczenia mogą się łatwo zapalić.**

- Przed dotknięciem silnika lub tłumika zatrzymać silnik i odczekać dwie (2) minuty. Upewnić się, że silnik i tłumik są bezpieczne w dotyku.
- Usunąć zanieczyszczenia z tłumika i silnika.

Używanie lub obsługiwanie silnika na terenie zalesionym, zakrzewionym lub trawiastym, jeśli układ wydechowy silnika nie jest wyposażony w sprawny iskrochron, stanowi

naruszenie przepisu 4442 kalifornijskiego kodeksu California Public Resource Code. Inne stany lub federalne jurysdykcje mogą mieć podobne prawa; odniesienie Federalna regulacja 36 CFR część 261.52. Skontaktować się z producentem oryginalnego sprzętu, sprzedawcą detalicznym lub dealerem, aby uzyskać iskrochron przeznaczony do układu wydechowego, zainstalowanego na tym silniku.

Usunąć kamienie z obszaru tłumika i cylindra. Skontrolować stan tłumika pod kątem pęknięć, korozji bądź innych uszkodzeń. Zdemontować chwytacz iskier, jeśli jest zamontowany, po czym skontrolować go pod kątem uszkodzeń oraz obecności nagaru węglowego. W przypadku stwierdzenia uszkodzeń, przed uruchomieniem zamontować części zamienne.



### OSTRZEŻENIE

Należy stosować takie same części zamienne i instalować je w tym samym położeniu, co części oryginalne. Inne części mogą spowodować uszkodzenie lub obrażenia.

## Wymiana oleju silnikowego



### OSTRZEŻENIE

**Paliwo i jego opary są łatwopalne i wybuchowe. Pożar lub wybuch mogą spowodować poważne oparzenia lub doprowadzić do śmierci.**

**Podczas pracy silnik i tłumik nagrzewają się. Dotknięcie gorącego silnika może spowodować oparzenia termiczne.**

- W przypadku spuszczenia oleju z górnej rurki wlewu oleju zbiornik paliwa musi być pusty. Jeśli nie jest pusty, może dojść do wycieku paliwa, co może doprowadzić do pożaru lub wybuchu.
- Przed dotknięciem silnika lub tłumika zatrzymać silnik i odczekać dwie (2) minuty. Upewnić się, że silnik i tłumik są bezpieczne w dotyku.

Zużyty olej stanowi zagrożenie dla środowiska i powinien być właściwie utylizowany. Nie wlewać go do odpadów domowych. Informacje dotyczące bezpiecznego usuwania lub miejsc utylizacji oleju można uzyskać od władz lokalnych, w centrach serwisowych lub u dealera.

## Usuwanie oleju

1. Gdy silnik jest WYŁĄCZONY, ale wciąż jeszcze ciepły, odłączyć przewód lub przewody świecy zapłonowej (D, rys. 13) i odsunąć go od świecy lub świec (E).
2. Wyjąć wskaźnik prętotowy (A, rys. 14, 15).
3. Wyjąć korek spustu oleju (F, rys. 16, 17). Spuścić olej do atestowanego pojemnika.
4. Zamocować i dokręcić korek spustowy oleju (F, rys. 16, 17).

## Wymienić filtr oleju, jeśli jest na wyposażeniu

1. Spuścić olej z silnika. Patrz rozdział **Usuwanie oleju**.
2. Wyjąć filtr oleju (G, rys. 18, 19) i zutylizować prawidłowo.
3. Przed zainstalowaniem nowego filtra oleju delikatnie nasmarować uszczelkę filtra oleju czystym olejem.
4. Instalować ręcznie filtr oleju do chwili, aż uszczelka dotknie łącznika filtra, a następnie dokręcić filtr oleju o 1/2 do 3/4 obrotu.
5. Uzupelnąć ilość oleju. Patrz rozdział **Dolewanie oleju**.
6. Uruchomić silnik i pozwolić na jego pracę. Gdy silnik będzie ciepły, sprawdzić, czy olej nie wycieka.
7. Wyłączyć silnik. Upewnić się, że poziom oleju sięga górnego znacznika na wskaźniku. Patrz rozdział **Dolewanie oleju**.

## Dodawanie oleju

- Upewnić się, że silnik jest wypoziomowany.
- Oczyszczyć z wszelkich zanieczyszczeń obszar wlewu oleju.
- Informacje na temat pojemności oleju można znaleźć w sekcji **Dane techniczne**.

1. Wyjąć wskaźnik prętotowy (A, rys. 20, 21). Za pomocą czystej ściereczki usunąć olej ze wskaźnika prętotowego.
2. Powoli wlać olej przez otwór do napełniania (C, rys. 20, 21). **Nie przepelniać**. Po nalaniu oleju odczekać jedną minutę i sprawdzić poziom oleju.
3. Zamocować i dokręcić wskaźnik prętotowy (A, rys. 20, 21).
4. Wyjąć wskaźnik i sprawdzić poziom oleju. Poziom oleju jest prawidłowy, jeśli sięga górnego znacznika na wskaźniku (B, rys. 20, 21).
5. Zamocować i dokręcić wskaźnik prętotowy (A, rys. 20, 21).
6. Podłączyć przewód lub przewody świecy zapłonowej (D, rys. 20) do świecy lub świec (E).



## Serwisowanie filtra powietrza



### OSTRZEŻENIE

**Paliwa są łatwopalne, a ich opary mogą wybuchnąć. Pożar lub wybuch mogą spowodować poważne poparzenia lub doprowadzić do śmierci.**

- Nie należy włączać silnika ze zdjętym zestawem do oczyszczania powietrza (jeśli znajduje się na wyposażeniu) lub filtrem powietrza (jeśli znajduje się na wyposażeniu).

### UWAGA

Do czyszczenia filtra nie należy używać sprężonego powietrza lub rozpuszczalników. Sprężone powietrze może uszkodzić filtr, a rozpuszczalniki mogą spowodować jego rozpuszczenie.

Wymagania serwisowe opisano w rozdziale **Harmonogram konserwacji**.

Niektóre modele wyposażone są w filtr wstępny, który można umyć i wykorzystać ponownie. Porównaj rysunki w niniejszej instrukcji z posiadanym silnikiem.

- Modele bez zbiornika paliwa:** Otworzyć element mocujący lub elementy mocujące (A, rys. 22) i zdjąć pokrywę (B).
- Modele ze zbiornikiem paliwa:** Zdjąć elementy mocujące (C, rys. 23) i pokrywę (D).
- Usunąć nakrętkę (D, rys. 22, 23) i element ustalający (E).
- Wyjąć filtr powietrza (F, rys. 22, 23).
- Wyjąć filtr wstępny (G, rys. 22, 23), jeśli znajduje się na wyposażeniu, z filtra powietrza (F).
- Aby usunąć zanieczyszczenia, delikatnie ostukać filtr powietrza (F, rys. 22, 23) o twardą powierzchnię. Jeśli filtr powietrza jest zabrudzony, wymienić go na nowy.
- Umyć filtr wstępny (G, rys. 22, 23), jeśli znajduje się na wyposażeniu, w detergencie płynnym i wodzie. Poczekać, aż filtr wstępny całkowicie wyschnie. **NIE** smarować filtra wstępnego.
- Zamontować filtr wstępny (G, rys. 22, 23), jeśli znajduje się na wyposażeniu, w filtrze powietrza (F).
- Zamontować filtr powietrza (F, rys. 22, 23) i zabezpieczyć elementem ustalającym (E) i nakrętką (D).
- Założyć pokrywę (B, rys. 22, 23).

## Serwisowanie układu paliwowego



### OSTRZEŻENIE

**Paliwo i jego opary są łatwopalne i wybuchowe. Pożar lub wybuch mogą spowodować poważne poparzenia lub doprowadzić do śmierci.**

- Nie wolno trzymać paliwa w pobliżu źródeł iskier, nieostoniętych płomieni, płomieni pilota, źródła ciepła lub innych źródeł zapłonu.
- Często sprawdzać przewody paliwowe, zbiornik paliwa, korek wlewu paliwa i połączenia pod kątem pęknięć lub wycieków. Wymienić uszkodzone części.
- Jeśli paliwo rozleje się, należy poczekać, aż odparuje, przed włączeniem silnika.

### Filtr paliwa, jeżeli jest na wyposażeniu

- Przed wymianą filtra paliwa (A, rys. 24) opróżnić zbiornik paliwa lub zamknąć zawór odcinający paliwo. Jeśli zbiornik paliwa nie zostanie opróżniony, paliwo może wycieć i spowodować pożar lub wybuch.
- Za pomocą szczypiec ścisnąć występy (B, rys. 24) na zaciskach (C), a odsunąć zaciski od filtra paliwa (A).
- Skręcić i ściągnąć przewody paliwowe (D, rys. 24) z filtra paliwa.
- Sprawdzić przewody paliwa (D, rys. 24) pod kątem pęknięć lub przecieków. Jeśli to konieczne, wymienić przewody paliwowe.
- Wymienić filtr paliwa (A, rys. 24).
- Podłączyć przewody paliwa (D, rys. 24) za pomocą zacisków (C).

## Serwisowanie układu chłodzenia



### OSTRZEŻENIE

**Podczas pracy silnik i tłumik nagrzewają się. Dotknięcie gorącego silnika może spowodować oparzenia termiczne.**

**Łatwopalne pozostałości, takie jak liście, trawa i inne zanieczyszczenia mogą się łatwo zapalić.**

- Przed dotknięciem silnika lub tłumika zatrzymać silnik i odczekać dwie (2) minuty. Upewnić się, że silnik i tłumik są bezpieczne w dotyku.
- Usunąć zanieczyszczenia z tłumika i silnika.

### UWAGA

Do czyszczenia silnika nie wolno stosować wody. Woda może zanieczyścić układ paliwowy. Do czyszczenia silnika stosować szczotkę lub suchą szmatkę.

Jest to silnik chłodzony powietrzem. Brud lub zanieczyszczenia mogą zablokować przepływ powietrza i spowodować przegrzanie silnika, powodując pogorszenie osiągnięć oraz zmniejszając jego trwałość.

- Do usunięcia zanieczyszczeń z obszaru wlotu powietrza użyć szczotki lub suchej szmatki.
- Cięgna, sprężyny i elementy sterujące utrzymywać w czystości.
- Obszar dookoła i za tłumikiem, jeśli jest na wyposażeniu, oczyścić ze wszystkich palnych zanieczyszczeń.
- Upewnić się, że żebra chłodnicy oleju, jeśli są na wyposażeniu, są czyste.

Po pewnym czasie zanieczyszczenia mogą gromadzić się między żeberkami chłodzenia cylindra i doprowadzić do przegrzania silnika. Tego niechcianego materiału nie można usunąć bez częściowego rozebrania silnika. Skontaktować się z autoryzowanym dealerem serwisowym Briggs & Stratton celem przeprowadzenia przeglądu i wyczyszczenia układu chłodzenia powietrzem zgodnie z harmonogramem podanym w części **Harmonogram konserwacji**.

## Przechowywanie

### Układ paliwowy

Patrz rysunek: 25.



### OSTRZEŻENIE

**Paliwo i jego opary są łatwopalne i wybuchowe. Pożar lub wybuch mogą spowodować poważne poparzenia lub doprowadzić do śmierci.**

### Przechowywanie paliwa

- Ponieważ lampki kontrolne lub inne źródła zapłonu mogą powodować wybuchy, należy trzymać paliwo lub sprzęt z dala od pieców, podgrzewaczy wody lub innych urządzeń wyposażonych w lampki kontrolne.

Silnik należy przechowywać w pozycji poziomej (prawidłowe położenie robocze). Napełnić zbiornik paliwa (A, rys. 25) paliwem. Aby umożliwić rozprężanie paliwa, nie należy napełniać zbiornika paliwa powyżej szyjki wlewu paliwa (B).

Przechowywanie paliwa w kanistrze przez okres przekraczający 30 dni może spowodować jego zwietrzenie. Zaleca się dodawanie stabilizatora do paliwa przechowywanego w kanistrze mieszanki bezalkoholowego stabilizatora paliwa i etanolu, aby zapobiec degradacji paliwa i utrzymać jego świeżość.

Po napełnieniu kanistra paliwem należy dodać bezalkoholowy stabilizator paliwa zgodnie z instrukcjami producenta. Jeśli do paliwa znajdującego się w silniku nie dodano stabilizatora paliwa, paliwo należy spuścić do odpowiedniego pojemnika. Uruchoić silnik na czas potrzebny do wyczerpania resztek paliwa.

## Olej silnikowy

Kiedy silnik jest wciąż ciepły, wymienić olej. Patrz część **Wymiana oleju silnikowego**.

## Rozwiązywanie problemów

### Wsparcie

Celem uzyskania pomocy skontaktować się ze sprzedawcą, odwiedzić stronę internetową **BRIGGSandSTRATTON.COM** lub zadzwonić pod numer telefonu **1-800-444-7774** (tylko w USA).

## Dane techniczne

### Specyfikacje i części zamienne

MODELE: 290000, 300000	
Pojemność skokowa	29.23 ci (479 cm <sup>3</sup> )
Średnica cylindra	2.677 in (68 mm)
Skok	2.598 in (66 mm)
Pojemność miski olejowej	46 - 48 oz (1,36 - 1,42 l)
Szczelina świecy	.030 in (.76 mm)
Moment dokręcenia świecy zapłonowej	180 lb-in (20 Nm)
Szczelina powietrzna cewki - Modele gaźników	.008 - .012 in (.20 - .30 mm)
Luz zaworu ssącego	.004 - .006 in (.10 - .15 mm)
Luz zaworu wydechowego	.004 - .006 in (.10 - .15 mm)

MODEL: 350000	
Pojemność skokowa	34.78 ci (570 cm <sup>3</sup> )

MODEL: 350000	
Średnica cylindra	2.835 in (72 mm)
Skok	2.756 in (70 mm)
Pojemność miski olejowej	46 - 48 oz (1,36 - 1,42 l)
Szczelina świecy	.030 in (.76 mm)
Moment dokręcenia świecy zapłonowej	180 lb-in (20 Nm)
Szczelina powietrzna cewki - Modele gaźników	.008 - .012 in (.20 - .30 mm)
Luz zaworu ssącego	.004 - .006 in (.10 - .15 mm)
Luz zaworu wydechowego	.004 - .006 in (.10 - .15 mm)

MODEL: 380000	
Pojemność skokowa	38.26 ci (627 cm <sup>3</sup> )
Średnica cylindra	2.972 in (75,5 mm)
Skok	2.756 in (70 mm)
Pojemność miski olejowej	46 - 48 oz (1,36 - 1,42 l)
Szczelina świecy	.030 in (.76 mm)
Moment dokręcenia świecy zapłonowej	180 lb-in (20 Nm)
Szczelina powietrzna cewki - modele gaźników	.008 - .012 in (.20 - .30 mm)
Luz zaworu ssącego	.004 - .006 in (.10 - .15 mm)
Luz zaworu wydechowego	.004 - .006 in (.10 - .15 mm)

Moc silnika spada o 3,5% na każde 300 metrów (1000 stóp) powyżej poziomu morza i o 1% na każde 5,6°C (10°F) powyżej 25°C (77°F). Silnik będzie pracował zadowalająco pod kątem do 15°. Dopuszczalne ograniczenia dla bezpiecznej pracy na pochyłościach zawarte są w instrukcji obsługi.

MODELE: 290000, 300000, 350000, 380000	
Części zamienne	Numer części
Filtr powietrza (ze zbiornikiem paliwa, rys. 23)	383857
Filtr powietrza (oprócz modelu 380000, rys. 22)	394018
Filtr powietrza (model 380000, 22)	692519
Filtr wstępny powietrza (ze zbiornikiem paliwa, rys. 23)	271794
Filtr wstępny powietrza (oprócz modelu 380000, rys. 22)	272490
Filtr wstępny powietrza (model 380000, rys. 22)	692520
Olej - SAE 30	100028
Filtr oleju	842921
Filtr paliwa (ze zbiornikiem paliwa)	808116
Filtr paliwa (z pompą paliwa)	845125
Filtr paliwa (bez pompy paliwa)	298090
Świeca zapłonowa z rezystorem	491055S
Świeca zapłonowa o długiej żywotności z elektrodą platynową	696202, 5066K
Klucz do świecy zapłonowej	19576S
Tester iskry	84003327

Zalecamy skontaktowanie się z autoryzowanym dealerem firmy Briggs & Stratton w kwestiach konserwacji i napraw silnika oraz jego części.

## Moc znamionowa

Moc znamionowa brutto poszczególnych modeli silników benzynowych jest podawana zgodnie z przepisami J1940 (Procedura oznaczania wartości znamionowej mocy i momentu obrotowego dla małych silników) ustalonymi przez stowarzyszenie SAE (Society of Automotive Engineers) i została uzyskana zgodnie z wymaganiami normy SAE J1995. Wartości momentu obrotowego zostały określone przy prędkości obrotowej 2600 obr./min w przypadku tych silników, które mają oznaczenie „rpm” (obr./min) podane na tabliczce znamionowej oraz przy prędkości obrotowej 3060 obr./min w przypadku wszystkich pozostałych silników. Wartości mocy wyrażanej w koniach mechanicznych zostały obliczone przy prędkości obrotowej 3600 obr./min. Z krzywymi mocy maksymalnej można zapoznać się na stronie [www.BRIGGSandSTRATTON.COM](http://www.BRIGGSandSTRATTON.COM). Wartości mocy netto uzyskano podczas mierzenia z zainstalowanym wydechem i filtrem powietrza, podczas gdy maksymalne wartości mocy silnika uzyskano bez tych elementów. Rzeczywista maksymalna moc silnika będzie wyższa od wartości mocy netto silnika i będą mieć na to wpływ, między innymi, zewnętrzne warunki eksploatacji oraz różnice jednostkowe pomiędzy poszczególnymi silnikami. Przy tak szerokim asortymencie produktów, w których silniki są montowane, w konkretnym urządzeniu silnik benzynowy może nie uzyskać maksymalnej mocy znamionowej. Takie

zróżnicowanie jest skutkiem działania wielu czynników, w tym między innymi elementów silnika (filtr powietrza, wydech, poziom naładowania akumulatora, chłodzenie, gaźnik, pompa paliwowa itd.), ograniczeń dotyczących stosowania, zewnętrznych warunków eksploatacji (temperatura, wilgotność, wysokość) oraz indywidualnych różnic pomiędzy silnikami. Z uwagi na ograniczenia produkcyjne i pojemnościowe firma Briggs & Stratton może zastępować silniki tej serii silnikami o wyższej mocy znamionowej.

## Gwarancja

### Gwarancja na silnik Briggs & Stratton®

Obowiązuje od sierpnia 2022 r.

#### Ograniczona gwarancja

Briggs & Stratton gwarantuje, że we wskazanym poniżej okresie gwarancji dokona nieodpłatnej naprawy lub wymiany dowolnej części obciążonej wadami materiałowymi, wadami wykonania lub obydwojoma rodzajami wad na nową, odnowioną lub ponownie wyprodukowaną część, według wyłącznego uznania Briggs & Stratton. Koszty transportu produktów dostarczanych do naprawy lub wymiany w ramach niniejszej Gwarancji ponosi nabywca. Gwarancja jest ważna przez okres podany poniżej i podlega warunkom określonym poniżej. Aby skorzystać z obsługi gwarancyjnej, należy wyszukać najbliższy autoryzowany punkt serwisowy na mapie w wyszukiwarce dealerów dostępnej pod adresem [BRIGGSandSTRATTON.COM](http://BRIGGSandSTRATTON.COM). Nabywca musi zwrócić się do autoryzowanego punktu serwisowego, a następnie udostępnić mu produkt do kontroli i sprawdzenia.

**Nie udziela się innej wyraźnej gwarancji. Gwarancje domniemane, w tym między innymi gwarancja wartości handlowej lub przydatności do konkretnego celu są ważne przez jeden rok od daty zakupu lub przez okres, na jaki pozwala prawo. Wyłącza się odpowiedzialność z tytułu wszelkich innych gwarancji dorozumianych. Odpowiedzialność z tytułu szkód pośrednich lub następczych jest wykluczona w zakresie dopuszczalnym przez prawo.** Niektóre stany lub kraje mogą nie zezwalać na ograniczenie okresu gwarancji domniemanej, a inne stany lub kraje nie zezwalają na wykluczenie lub ograniczenie odpowiedzialności z tytułu szkód pośrednich i następczych, w związku z czym powyższe ograniczenie oraz wykluczenie mogą nie dotyczyć niektórych użytkowników. Gwarancja ta zapewnia określone ustawowe prawa oprócz innych praw obowiązujących w różnych krajach lub stanach.

Standardowe warunki gwarancji <sup>1, 2</sup>
<b>Vanguard®; seria komercyjna</b>
Zastosowanie konsumenckie – 36 miesięcy
Zastosowanie komercyjne – 36 miesięcy
<b>XR Series</b>
Zastosowanie konsumenckie – 24 miesiące
Zastosowanie komercyjne – 24 miesiące
<b>Wszystkie inne silniki wyposażone w tuleje żeliwne Dura-Bore™</b>
Zastosowanie konsumenckie – 24 miesiące
Zastosowanie komercyjne – 12 miesięcy
<b>Wszystkie inne silniki</b>
Zastosowanie konsumenckie – 24 miesiące
Zastosowanie komercyjne – 3 miesiące

<sup>1</sup> Są to nasze standardowe warunki gwarancji, jednak w niektórych przypadkach zakres gwarancji może być rozszerzony, co nie zostało określone w nomenclaturze publikacji. Lista aktualnych warunków gwarancji dla danego silnika znajduje się na stronie [BRIGGSandSTRATTON.COM](http://BRIGGSandSTRATTON.COM) lub można ją uzyskać w autoryzowanym punkcie serwisowym firmy Briggs & Stratton.

<sup>2</sup> Gwarancja nie obowiązuje w przypadku silników stosowanych w sprzęcie używanym do pracy z większym obciążeniem zamiast przewidzianego, generatorów rezerwowych używanych dla celów komercyjnych, silników stosowanych w pojazdach użytkowych przekraczających 25 mil na godzinę, a także silników używanych w wysięgach lub na torach komercyjnych, lub wynajętych.

\* W Australii nasze produkty są objęte gwarancjami, których zgodnie z australijskim prawem konsumenckim nie można wyłączyć. Użytkownikowi przysługuje wymiana urządzenia lub zwrot pieniędzy w razie poważnej awarii oraz odszkodowanie z tytułu wszelkich innych racjonalnie przewidywalnych strat i szkód. Użytkownikowi przysługuje również prawo do naprawy lub wymiany towaru, jeśli jakość towaru jest nieakceptowalna, a jego awaria nie kwalifikuje się jako poważna. Aby skorzystać z obsługi gwarancyjnej, należy wyszukać najbliższy autoryzowany punkt serwisowy na mapie dostępnej w witrynie [BRIGGSandSTRATTON.COM](http://BRIGGSandSTRATTON.COM), zadzwonić pod numer 1300 274 447 lub przesłać wiadomość e-mail bądź list na adres odpowiednio [salesenquires@briggsandstratton.com.au](mailto:salesenquires@briggsandstratton.com.au) lub Briggs & Stratton Australia Pty Ltd, 1 Moorebank Avenue, Moorebank, NSW, Australia, 2170.

Okres ważności gwarancji rozpoczyna się w dniu zakupu przez pierwszego konsumenta detalicznego lub komercyjnego użytkownika końcowego i trwa przez okres podany w powyższej tabeli. „Zastosowanie konsumenckie” oznacza użytkowanie we własnym gospodarstwie domowym konsumenta. „Zastosowanie komercyjne” oznacza wszystkich innych użytkowników wykorzystujących urządzenie do celów

komercyjnych, zarobkowych i podwijnymu. Jeżeli silnik był choć raz stosowany w celach komercyjnych, to w rozumieniu tej gwarancji traktowany będzie jako silnik o zastosowaniu komercyjnym.

**Do uzyskania gwarancji na produkty marki Briggs & Stratton nie jest wymagana żadna rejestracja. Zachować dowód zakupu. Jeśli w momencie zgłoszenia żądania naprawy gwarancyjnej użytkownik nie przedstawi dowodu zakupu, okres obowiązywania gwarancji zostanie ustalony na podstawie daty wyprodukowania urządzenia.**

#### **Informacja o gwarancji**

Gwarancja obejmuje wyłącznie wady materiałowe i/lub produkcyjne silnika, natomiast nie dotyczy ona wymiany lub zwrotu kosztów sprzętu, w którym zamontowano silnik. Konserwacja okresowa, dostrajanie, regulacje lub normalne zużycie nie są objęte gwarancją. Podobnie, gwarancja nie ma zastosowania, gdy silnik został zmieniony lub zmodyfikowany bądź numer seryjny silnika jest nieczytelny lub został usunięty. Niniejsza gwarancja nie obejmuje uszkodzenia silnika lub problemów jego z działaniem spowodowanych przez:

1. Użycie części, które nie Briggs & Stratton
2. Eksploatację silnika z olejem smarowym w niedostatecznej ilości, zanieczyszczonym lub niewłaściwego gatunku;
3. Użycie paliwa zanieczyszczonego lub przestarzałego, benzyny zawierającej więcej niż 10% etanolu lub użycie paliw alternatywnych, takich jak płynna ropa naftowa lub gaz ziemny w silnikach, które nie zostały oryginalnie zaprojektowane/ wyprodukowane przez firmę Briggs & Stratton do zasilania takimi paliwami;
4. Zanieczyszczenia, które przedostały się do silnika z powodu niewłaściwej konserwacji lub niewłaściwego ponownego montażu filtra powietrza;
5. Uderzenie obiektu przez nóż kosiarki obrotowej, luźny lub niewłaściwie zamontowany adapter noża, wirniki lub inne elementy sprzężone z wałem korbowym lub nadmierne napięcie pasa klinowego;
6. Współpracujące części lub zespoły, takie jak sprzęgła, przekładnie, elementy obsługi sprzętu itp. niebędące produktem firmy Briggs & Stratton;
7. Przegrzanie spowodowane przez ściniki trawy, brud i resztki lub gniazda gryzoni, które zatykają lub zapychają obszary żeberek chłodzących lub koła zamachowego lub przez pracę silnika bez dostatecznej wentylacji;
8. Nadmierne drgania spowodowane nadmierną prędkością, luźnymi mocowaniami silnika, luźnymi lub niewyważonymi nożami lub wirnikami, lub nieprawidłowym sprzęgnięciem komponentów wyposażenia z wałem korbowym;
9. Niewłaściwe użytkowanie, brak okresowej konserwacji, niewłaściwy transport, obsługę lub składowanie wyposażenia lub niewłaściwą instalację silnika.

Obsługę gwarancyjną zapewniają wyłącznie autoryzowane serwisy firmy Briggs & Stratton. W celu uzyskania usługi gwarancyjnej należy skontaktować się z najbliższym autoryzowanym punktem serwisowym znalezionym na mapie dostępnej w witrynie BRIGGSandSTRATTON.COM lub zadzwonić pod numer 1-800-444-7774 (w USA).

80114782 (wersja A)

## Informații generale



Acest manual conține informații de siguranță cu privire la pericolele și riscurile asociate motorului, precum și la modul în care le puteți preveni. De asemenea, conține procedurile corecte de operare și întreținere ale acestui motor. Este important să citiți, să înțelegeți și să urmați aceste instrucțiuni. **Păstrați acest manual pentru a-l consulta ulterior.**

**NOTĂ:** Figurile și ilustrațiile din acest manual sunt doar în scop de informare și pot diferi de modelul dumneavoastră. Folosiți figurile care corespund configurației motorului dvs. Dacă este necesar, adresați-vă unui dealer autorizat de service.

Înregistrați data achiziției, modelul motorului, tipul și subtipul, precum și numărul de serie al motorului, la solicitarea de piese de schimb. Aceste numere se află pe motorul dvs. Consultați secțiunea **Caracteristici și comenzi**.

Data achiziției	
Modelul - Tipul - Subtipul motorului	
Număr de serie al motorului	

## Informații de contact biroul European

Pentru întrebări privind emisiile la nivel european, contactați Biroul nostru pentru Europa la adresa:

Max-Born-Straße 2, 68519 Viernheim, Germania.

## Uniunea Europeană (UE) Etapa V (5): Valorile emisiilor de dioxid de carbon (CO2)

Introduceți CO2 în fereastra de căutare de pe site-ul BriggsandStratton.com pentru a afla valorile emisiilor de dioxid de carbon ale motoarelor Briggs & Stratton cu certificat de omologare de tip UE.

## Informații privind reciclarea



Reciclați toate cutiile de carton, lăzile, uleiul folosit și bateriile în conformitate cu reglementările aplicabile ale autorităților.

## Siguranța operatorului

### Simbolul de alertă privind siguranța și cuvintele de atenționare



Simbolul de alertă privind siguranța identifică informațiile referitoare la pericole care pot provoca vătămări corporale. Împreună cu simbolul de alertă este folosit un cuvânt de atenționare (**PERICOL**, **AVERTISMENT**, sau **ATENȚIE**) care indică probabilitatea și gravitatea posibilelor vătămări. În plus, se folosește un simbol de pericol pentru a reprezenta tipul de pericol.

**PERICOL** indică un pericol care, dacă nu este evitat, **va** avea ca rezultat decesul sau vătămarea corporală gravă.

**AVERTISMENT** indică un pericol care, dacă nu este evitat, **poate** avea ca rezultat decesul sau vătămarea corporală gravă.

**ATENȚIE** indică un pericol care, dacă nu este evitat, **poate** solda cu vătămări corporale minore sau moderate.

**NOTIFICARE** indică informațiile considerate ca fiind importante, însă care nu au legătură cu un pericol.

## Simboluri de pericol și explicația acestora

Informații de siguranță despre pericolele care pot avea ca rezultat vătămări corporale.	Citiți și înțelegeți Manualul de utilizare înainte de a folosi sau servisa motorul.
Pericol de incendiu	Pericol de explozie

Pericol de șoc	Pericol de vapori toxici
Pericol de suprafață fierbinte	Pericol de recul
Pericol de amputare - piese în mișcare	Nivel combustibil - Maxim Nu alimentați în exces

## Mesaje privind siguranța



### AVERTISMENT

Motoarele Briggs & Stratton® nu sunt proiectate și nu trebuie folosite pentru motorizarea: karturilor recreative, vehiculelor de teren (ATV-uri) pentru copii, recreative sau sportive; motocicletelor; vehiculelor pe pernă de aer; produselor aeronautice; sau vehiculelor folosite în competiții care nu sunt aprobate de Briggs & Stratton. Pentru informații despre produsele destinate competițiilor, consultați [www.briggsracing.com](http://www.briggsracing.com). Pentru utilizarea cu ATV-uri utilitare și de tip side-by-side, contactați Briggs & Stratton Power Application Center, 1-866-927-3349. Utilizarea incorectă a motoarelor poate avea ca rezultat decesul sau vătămarea corporală gravă.



### AVERTISMENT

**Combustibilul și vaporii săi sunt foarte inflamabili și explozivi. Incendiul sau explozia pot provoca arsuri sau decesul.**

### Când adăugați combustibil

- Opriti motorul. Așteptați două (2) minute pentru a vă asigura că motorul este rece, înainte să demontați bușonul rezervorului de combustibil.
- Umpleți rezervorul de combustibil afară sau într-o zonă bine ventilată.
- Nu puneți prea mult combustibil în rezervor. Pentru a permite expansiunea combustibilului, nu umpleți deasupra părții inferioare a gulerului rezervorului de combustibil.
- Păstrați combustibilul la distanță față de scântei, flăcări deschise, flăcări de veghe, surse de căldură și alte surse de aprindere.
- Verificați frecvent conductele de combustibil, bușonul rezervorului de combustibil și racordurile pentru a vedea dacă nu prezintă fisuri sau scurgeri. Înlocuiți componentele deteriorate.
- În cazul în care se varsă combustibil, așteptați până la uscarea acestuia înainte să porniți motorul.

### Atunci când porniți motorul

- Asigurați-vă că bujia, toba de echipament, bușonul rezervorului de combustibil și filtrul de aer (dacă este prevăzut) sunt montate corect.
- Nu porniți motorul cu manivela atunci când bujia incandescentă este demontată.
- Când se înecă motorul, puneți șocul (dacă este prevăzut) în poziția DESCHIS sau FUNCTIONARE. Mutați șocul în poziția RAPID (dacă este prevăzută) și folosiți manivela până la pornirea motorului.
- Dacă în zonă există scurgeri de gaz natural sau gaz LP, nu porniți motorul.
- Nu utilizați fluide de aprindere sub presiune deoarece vaporii sunt inflamabili.

### Când utilizați echipamentul

- Nu înclinați motorul sau echipamentul la un unghi care determină vărsarea benzinei.
- Nu înecați carburatorul (dacă este prevăzut) pentru a opri motorul.
- Nu porniți și nu utilizați motorul având demontat ansamblul filtrului de aer (dacă este prevăzut) sau filtrul de aer (dacă este prevăzut).

### Când efectuați întreținerea

- Dacă scurgeți uleiul prin tubul superior de alimentare cu ulei, rezervorul de combustibil trebuie să fie gol. În caz contrar combustibilul se poate scurge, provocând un incendiu sau o explozie.
- În timpul întreținerii, dacă este necesară înclinarea unității, asigurați-vă că rezervorul de combustibil, dacă este montat pe motor, este gol, iar latura pe care se află bujia este orientată în sus. Dacă rezervorul de combustibil nu este gol, combustibilul se poate scurge, provocând un incendiu sau o explozie.
- Verificați frecvent conductele de combustibil, bușonul rezervorului de combustibil și racordurile pentru a vedea dacă nu prezintă fisuri sau scurgeri. Înlocuiți componentele deteriorate.
- Nu schimbați regulatorul cu arc, lanțurile cinematice sau alte componente pentru a obține o turație mai mare a motorului.

- Nu loviți volanta cu ciocanul sau alte obiecte dure. Aceasta ar putea duce la defectarea volantei în timpul funcționării.
- Piese de schimb trebuie să fie identice și montate în aceeași poziție cu piesele originale. Alte piese pot provoca deteriorări sau vătămări.

#### Dacă schimbați locul de amplasare a echipamentului

- Asigurați-vă că rezervorul de combustibil este GOL sau că robinetul de oprire a combustibilului este în poziția ÎNCHIS.

#### Atunci când depozitați combustibil sau echipamente cu combustibil în rezervor

- Deoarece flăcările de veghe sau alte surse de aprindere pot provoca explozii, depozitați combustibilul sau echipamentul la distanță de cuptoare, sobe, boilere sau alte echipamente care au flacără de veghe.



**AVERTISMENT**  
Combustibilul și vaporii săi sunt foarte inflamabili și explozivi. Incendiul sau explozia pot provoca arsuri sau decesul.

#### Pornirea motorului provoacă scântei care pot duce la incendii sau explozii.

- Dacă în zonă există scurgeri de gaz natural sau gaz LP, nu porniți motorul.
- Nu utilizați fluide de aprindere sub presiune deoarece vaporii sunt inflamabili.



**AVERTISMENT**  
**PERICOL DE GAZE OTRĂVITOARE.** Gazele de eșapament conțin monoxid de carbon, un gaz otrăvitor care vă poate ucide în câteva minute. Chiar dacă nu simțiți miros de gaze de eșapament, este posibil să fiți expus la monoxid de carbon, care este periculos. Dacă aveți grețuri, vă simțiți amețit(ă) sau slăbit(ă) în timp ce utilizați acest produs, ieșiți IMEDIAT la aer curat. Apelați la un doctor. Este posibil să fiți intoxicați cu monoxid de carbon.

- Monoxidul de carbon se poate acumula în spații locuite. Pentru a reduce pericolul de acumulare a monoxidului de carbon, folosiți acest produs NUMAI în aer liber, la distanță de ferestre, uși și orificii de ventilare.
- Montați alarme de monoxid de carbon care funcționează cu baterii sau alarme de monoxid de carbon conectate la rețeaua electrică, dar au și baterii de rezervă, așa cum se specifică în instrucțiunile producătorului. Alarmerile de fum nu pot detecta monoxidul de carbon.
- NU folosiți acest produs în locuințe, garaje, pivnițe, spații înguste, șoproane sau alte spații închise, chiar dacă folosiți ventilatoare sau deschideți uși și ferestre pentru ventilare. După folosirea acestui produs, monoxidul de carbon se poate acumula rapid în aceste spații și poate rămâne acolo mai multe ore.
- Amplasați ÎNTOTDEAUNA acest produs pe direcția vântului și orientați toba de eșapament în sens opus față de spațiile locuite.



**AVERTISMENT**  
Retragerea rapidă a corzii de pornire (reculul) va trage mâna și brațul către motor mai repede decât puteți să îi dați drumul. Aceasta poate provoca ruperea oaselor, fracturi, zgârieturi sau luxații.

- Pentru a evita reculul la pornirea motorului, trageți lent coarda până simțiți rezistență, și apoi trageți rapid.
- Înainte de a porni motorul, îndepărtați toate echipamentele externe/sarcinile motorului.
- Asigurați-vă că componentele echipamentului cuplate direct, cum ar fi, dar fără a se limita la acestea, lamele, paletele, roțile de transmisie, roțile de lanț sunt bine fixate.



**AVERTISMENT**  
Piesele rotative pot prinde mâinile, picioarele, părul, îmbrăcămintea sau accesoriile, provocând amputări traumatice sau tăieturi grave.

- Utilizați echipamentul cu apărătoarele montate corect.
- Țineți mâinile și picioarele la distanță de piesele în mișcare.
- Scoateți bijuteriile și asigurați-vă că părul lung este la distanță de piesele rotative.
- Nu purtați îmbrăcăminte largă sau obiecte care ar putea fi prinse în echipament.



**AVERTISMENT**  
În timpul funcționării, motorul și toba se încălzesc. Dacă atingeți un motor fierbinte, se pot produce arsuri termice.

#### Materialele inflamabile, precum frunzele, iarba, arbuștii se pot aprinde.

- Înainte să atingeți motorul sau toba, opriți motorul și așteptați două (2) minute. Asigurați-vă că motorul și toba pot fi atinse fără a fi în pericol.
- Îndepărtați reziduurile din tobă și din motor.

Conform California Public Resource Code, secțiunea 4442, este interzisă utilizarea motorului în zone cu păduri, tufișuri sau iarbă fără ca sistemul de evacuare să fie dotat cu un paravan de scântei, așa cum se definește în secțiunea 4442, aflat în bună stare de funcționare. Alte state sau jurisdicții federale ar putea avea o legislație similară; consultați Regulamentul Federal 36 CFR Partea 261.52. Contactați producătorul echipamentului original, comerciantul cu amănuntul sau dealerul pentru a obține un paravan de scântei proiectat pentru sistemul de evacuare montat pe acest motor.



**AVERTISMENT**  
Scânteiile accidentale de la motor pot provoca un șoc electric, incendii sau explozie, ceea ce conduce la agățare, amputare traumatică sau leziuni grave.

#### Înainte de a efectua reglaje sau reparații:

- Deconectați toate firele bujiei și țineți-le la distanță de bujii.
- Deconectați cablul acumulatorului de la borna negativă a acestuia (numai la motoarele cu sistem de pornire electrică).
- Utilizați numai unelte adecvate.

#### Când verificați scântea:

- Utilizați un dispozitiv de testare aprobat pentru bujii incandescente.
- Nu verificați dacă există scântea atunci când bujia este demontată.



**AVERTISMENT**  
Combustibilii sunt inflamabili, iar vaporii lor sunt explozivi. Incendiul sau explozia pot provoca arsuri sau decesul.

#### Dacă simțiți miros de gaz

- Nu porniți motorul.
- Nu acționați comutatoarele electrice.
- Nu folosiți telefonul în zona respectivă.
- Evacuați zona.
- Contactați furnizorul de gaz sau pompierii.

## Caracteristici și comenzi

### Comenzile motorului









Comparați literalele mesajelor din Figurile 1, 2, 3 și 4 cu comenzile motorului din lista de mai jos:

- Numerele de identificare a motorului **Model - Tip - Cod**
- Bujie
- Filtru de aer (fără rezervor de combustibil)
- Filtru de aer (cu rezervor de combustibil)
- Jojă de ulei
- Orificiu de alimentare cu ulei
- Filtru de ulei (dacă există)
- Bușon de scurgere a uleiului
- Senzor de presiune a uleiului
- Apărătoare pentru degete
- Electromotor
- Demaror cu arc (dacă există)
- Carburator - Modele de carburator
- Eșapament
- Pompă de combustibil
- Comutator demaror<sup>1</sup>
- Manetă de accelerație<sup>1</sup>
- Comandă șoc<sup>1</sup>
- Filtru de combustibil (dacă există)
- Rezervor de combustibil
- Robinet de închidere a combustibilului (dacă există)<sup>1</sup>
- Comutator de oprire (dacă există)<sup>1</sup>
- Radiatorul de ulei (dacă există)
- Modul pompă de combustibil - Modele EFI
- Modul electronic de control - Modele EFI
- Injector de combustibil - Modele EFI



<sup>1</sup> Unele modele și echipamente sunt dotate cu sisteme de control de la distanță. Consultați manualul echipamentului pentru instrucțiuni despre amplasarea și utilizarea comenzilor de la distanță.

## Simbolurile comenzilor motorului și explicația acestora

 Turație motor - RAPID	 Turație motor - LENT
 Turație motor - STOP	 PORNIT - OPRIT
 Pornirea motorului Șoc ÎNCHIS	 Pornirea motorului Șoc DESCHIS
 Bușon rezervor Robinet de închidere a combustibilului DESCHIS	 Robinet de închidere a combustibilului ÎNCHIS

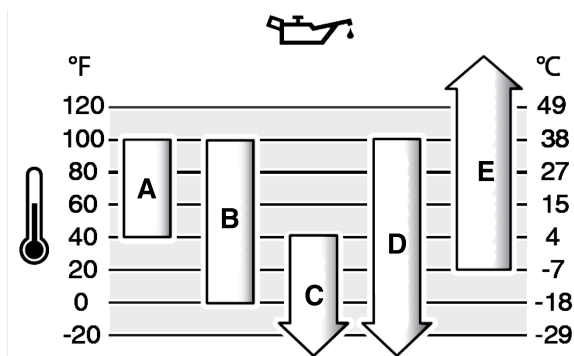
## Utilizare

### Recomandări referitoare la ulei

Capacitate ulei: Consultați secțiunea **Specificații**.

Pentru cea mai bună performanță vă recomandăm uleiurile certificate și garantate de la Briggs & Stratton®. Alte uleiuri de calitate superioară cu rol de curățare sunt permise dacă sunt clasificate pentru service SF, SG, SH, SJ sau clase superioare. NU folosiți aditivi speciali.

Utilizați diagrama pentru a selecta cea mai bună viscozitate pentru prognoza intervalului de temperatură din exterior. Motoarele de la majoritatea echipamentelor electrice de exterior funcționează bine cu ulei sintetic 5W-30. Pentru echipamentele ce funcționează la temperaturi ridicate, uleiul sintetic Vanguard® 15W-50 oferă cea mai bună protecție.



A	SAE 30 - Sub 40°F (4°C), utilizarea SAE 30 va avea ca rezultat o pornire grea.
B	10W-30 - Peste 80°F (27°C), utilizarea de 10W-30 poate cauza creșterea consumului de ulei. Verificați frecvent nivelul uleiului.
C	5W-30
D	Sintetic 5W-30
E	Vanguard® Sintetic 15W-50

## Verificarea nivelului uleiului

Înainte să verificați sau să adăugați ulei

- Asigurați-vă că motorul este orizontal.
- Curățați zona orificiului de alimentare cu ulei de reziduuri.
- Consultați secțiunea **Specificații** pentru detalii cu privire la capacitatea uleiului.

### NOTIFICARE

Acest motor este livrat de către Briggs & Stratton fără ulei. Este posibil ca producătorii sau distribuitorii echipamentului să fi adăugat ulei la motor. Înainte să porniți motorul pentru prima dată, asigurați-vă că nivelul uleiului este corect. Adăugați ulei așa cum se specifică în instrucțiunile din acest manual. Pornirea motorului fără ulei provoacă defectarea motorului, care nu este acoperită de garanție.

1. Scoateți joja (A, Figura 5) și ștergeți-o cu o cârpă.

2. Montați și strângeți joja (A, Figura 5).
3. Scoateți joja și verificați nivelul uleiului. Asigurați-vă că nivelul uleiului este în partea superioară a indicatorului de plin (B, Figura 5) de pe joja.
4. Dacă nivelul uleiului este scăzut, turnați lent ulei în orificiul de alimentare cu ulei (C, Figura 5). Nu adăugați prea mult ulei.
5. Așteptați un minut și verificați din nou nivelul uleiului. Asigurați-vă că nivelul uleiului este corect.
6. Montați și strângeți joja (A, Figura 5).

## Sistem de protecție împotriva nivelului scăzut al uleiului (dacă există)

Unele motoare sunt echipate cu un senzor care indică nivelul scăzut al uleiului. Dacă nivelul uleiului este scăzut, senzorul va afișa o lumină de avertizare sau mesajul de oprire a motorului. Opriti motorul și efectuați pașii următori înainte de a porni motorul.

- Asigurați-vă că motorul este orizontal.
- Verificați nivelul uleiului. Consultați secțiunea **Verificarea nivelului de ulei**.
- Dacă nivelul uleiului este scăzut, adăugați cantitatea de ulei corectă. Porniți motorul și asigurați-vă că lumina de avertizare (dacă există) nu se aprinde.
- Dacă nivelul uleiului este scăzut, nu porniți motorul. Luați legătura cu un dealer autorizat de service Briggs & Stratton pentru a remedia problema cu uleiul.

## Recomandări referitoare la combustibil

Combustibilul trebuie să îndeplinească următoarele cerințe:

- Benzină curată, proaspătă, fără plumb.
- Cifra octanică minim 87/87 AKI (91 RON). Utilizare la altitudini ridicate - consultați informațiile de mai jos.
- Este permisă benzină cu până la 10% etanol (gazohol).

### NOTIFICARE

Nu utilizați tipuri neaprobate de benzină, cum ar fi E15 și E85. Nu amestecați ulei în benzină și nu modificați motorul pentru a funcționa cu combustibili alternativi. Folosirea combustibililor neapropați va avea ca rezultat deteriorarea componentelor motorului, în acest caz reparația nefiind acoperită de garanție.

Pentru protejarea sistemului de combustibil de formarea de gume și coroziune, amestecați un aditiv pentru combustibil fără alcool și un tratament pe bază de etanol în combustibil. Consultați secțiunea **Depozitarea**. Nu toți combustibilii sunt identici. Dacă apar probleme de pornire sau de performanță, schimbați furnizorii sau mărcile de combustibil. Acest motor este certificat să funcționeze cu benzină. Sistemul de control al emisiilor pentru motoarele cu carburator este EM (Modificări ale motorului). Sistemele de control al emisiilor pentru motoarele cu injecție electronică de combustibil sunt ECM (modul de control al motorului), MPI (injecție multiport de combustibil) și, dacă este prevăzut, un O2S (senzor de oxigen).

### Altitudine ridicată

La altitudini de peste 5000 de picioare (1524 de metri), este permisă benzina cu cifra octanică 85/85 AKI (89 RON), ca o condiție minimă.

Pentru motoarele cu carburator, este necesară reglarea pentru altitudine ridicată pentru a menține performanța. Utilizarea fără această reglare va cauza o performanță mai slabă, creșterea consumului de combustibil și creșterea emisiilor. Contactați un dealer de service autorizat Briggs & Stratton pentru informații referitoare la reglarea pentru altitudine ridicată. Nu se recomandă utilizarea motorului la altitudini sub 2.500 de picioare (762 de metri) cu reglajele pentru altitudini mari.

În cazul motoarelor cu injecție electronică a combustibilului (EFI), nu este necesară reglarea pentru altitudine ridicată.

## Adăugare carburant



### AVERTISMENT

Combustibilul și vaporii săi sunt foarte inflamabili și explozivi. Incendiul sau explozia pot provoca arsuri sau decesul.

### Când adăugați combustibil

- Opriti motorul. Așteptați două (2) minute pentru a vă asigura că motorul este rece, înainte să demontați bușonul rezervorului de combustibil.
- Umpleți rezervorul de combustibil afară sau într-o zonă bine ventilată.
- Nu puneți prea mult combustibil în rezervor. Pentru a permite expansiunea combustibilului, nu umpleți deasupra părții inferioare a gulerului rezervorului de combustibil.
- Păstrați combustibilul la distanță față de scânteie, flăcări deschise, flăcări de veghe, surse de căldură și alte surse de aprindere.
- Verificați frecvent conductele de combustibil, bușonul rezervorului de combustibil și racordurile pentru a vedea dacă nu prezintă fisuri sau scurgeri. Înlocuiți componentele deteriorate.
- În cazul în care se varsă combustibil, așteptați până la uscarea acestuia înainte să porniți motorul.

1. Curățați zona bușonului rezervorului de combustibil de praf și reziduuri. Scoateți bușonul rezervorului de combustibil.
2. Umpleți rezervorul de combustibil (A, Figura 6) cu combustibil. Deoarece combustibilul se dilată, nu umpleți deasupra părții inferioare a gulerului rezervorului de combustibil (B).
3. Instalați bușonul rezervorului de combustibil.

## Pornirea motorului



### AVERTISMENT

Scânteile accidentale de la motor pot provoca un șoc electric, incendiu sau explozie, ceea ce conduce la agățare, amputare traumatică sau leziuni grave.

### Înainte de a efectua reglaje sau reparații:

- Deconectați toate firele bujiei și țineți-le la distanță de bujii.
- Deconectați cablul acumulatorului de la borna negativă a acestuia (numai la motoarele cu sistem de pornire electrică).
- Utilizați numai unelte adecvate.

### Când verificați scânteia:

- Utilizați un dispozitiv de testare aprobat pentru bujii incandescente.
- Nu verificați dacă există scânteie atunci când bujia este demontată.



### AVERTISMENT

Retragerea rapidă a corzii de pornire (reculul) va trage mâna și brațul către motor mai repede decât puteți să îi dați drumul. Aceasta poate provoca ruperea oaselor, fracturi, vânătăi sau luxații.

- Pentru a evita reculul la pornirea motorului, trageți lent coarda până simțiți rezistență, și apoi trageți rapid.
- Înainte de a porni motorul, îndepărtați toate echipamentele externe/sarcinile motorului.
- Asigurați-vă că componentele echipamentului cuplate direct, cum ar fi, dar fără a se limita la acestea, lamele, paletele, roțile de transmisie, roțile de lanț sunt bine fixate.



### AVERTISMENT

**PERICOL DE GAZE OTRĂVITOARE.** Gazele de eșapament conțin monoxid de carbon, un gaz otrăvitor care vă poate ucide în câteva minute. Chiar dacă nu simțiți miros de gaze de eșapament, este posibil să fiți expus la monoxid de carbon, care este periculos. Dacă aveți grețuri, vă simțiți amețit(ă) sau slăbit(ă) în timp ce utilizați acest produs, ieșiți IMEDIAT la aer curat. Apelați la un doctor. Este posibil să fiți intoxicați cu monoxid de carbon.

- Monoxidul de carbon se poate acumula în spații locuite. Pentru a reduce pericolul de acumulare a monoxidului de carbon, folosiți acest produs NUMAI în aer liber, la distanță de ferestre, uși și orificii de ventilare.
- Montați alarme de monoxid de carbon care funcționează cu baterii sau alarme de monoxid de carbon conectate la rețeaua electrică, dar au și baterii de rezervă, așa cum se specifică în instrucțiunile producătorului. Alarmele de fum nu pot detecta monoxidul de carbon.
- NU folosiți acest produs în locuințe, garaje, pivnițe, spații înguste, șoproane sau alte spații închise, chiar dacă folosiți ventilatoare sau deschideți uși și ferestre pentru ventilare. După folosirea acestui produs, monoxidul de carbon se poate acumula rapid în aceste spații și poate rămâne acolo mai multe ore.
- Amplasați ÎNTOTDEAUNA acest produs pe direcția vântului și orientați toba de eșapament în sens opus față de spațiile locuite.

### NOTIFICARE

Acest motor este livrat de către Briggs & Stratton fără ulei. Este posibil ca producătorii sau distribuitorii echipamentului să fi adăugat ulei la motor. Înainte să porniți motorul pentru prima dată, asigurați-vă că nivelul uleiului este corect. Adăugați ulei așa cum se specifică în instrucțiunile din acest manual. Pornirea motorului fără ulei provoacă defectarea motorului, care nu este acoperită de garanție.

**NOTĂ:** Echipamentul dumneavoastră poate avea comenzi de la distanță. Consultați manualul echipamentului pentru instrucțiuni pentru amplasarea și utilizarea comenzilor de la distanță.

### Tipuri de sisteme de pornire

Înainte de a porni motorul, trebuie să cunoașteți tipul de sistem de pornire cu care este dotat acesta. Motorul dvs. are unul dintre aceste sisteme de pornire.

- **Sistem de injecție electronică de combustibil (EFI):** Sistemul EFI nu este dotat cu șoc sau amorsare manuală.
- **Sistem electronic de gestionare a combustibilului:** Un sistem electronic de gestionare a combustibilului prezintă o Unitate electronică de comandă (ECU) care monitorizează motorul și temperatura acestuia. Acesta nu este dotat cu un sistem de șoc sau amorsare manuală.
- **Sistem cu șoc:** Acest tip de sistem are un șoc care se utilizează la temperaturi joase. Unele modele sunt prevăzute cu o manetă separată de șoc, în timp ce

alte au o manetă combinată pentru șoc și accelerație. Acest tip de sistem nu este prevăzut cu sistem de amorsare.

## Sistem de injecție electronică de combustibil (EFI)

1. Verificați nivelul uleiului din motor. Consultați secțiunea **Verificarea nivelului uleiului**.
2. Asigurați-vă că comenzile de deplasare ale echipamentului, dacă sunt prevăzute, nu sunt activate.
3. Deplasați robinetul de închidere a combustibilului (A, Figura 7), dacă este prevăzut, în poziția DESCHIS.
4. Apăsăți comutatorul de oprire (F, Figurile 7, 8), dacă este prevăzut, în poziția PORNIT.
5. Deplasați maneta de accelerație (B, Figura 8), dacă este prevăzută, în poziția RAPID. Utilizați motorul în poziția RAPID.
6. **Pornire cu arc, dacă este prevăzut cu contact cu cheie auto:** Rotiți contactul cu cheie (D, Figurile 7, 8) în poziția PORNIT.
7. **Demaror cu arc, dacă este prevăzut:** Apucați ferm mânerul de pornire (E, Figurile 7, 8). Trageți mânerul corzii de pornire lent până când întâmpinați rezistență, apoi trageți rapid.



### AVERTISMENT

Retragerea rapidă a corzii demarorului (reculul) vă va trage mâna și brațul către motor mai repede decât puteți să îi dați drumul. Aceasta poate provoca ruperea oaselor, fracturi, vânătăi sau luxații. Pentru a evita reculul la pornirea motorului, trageți lent coarda până simțiți rezistență, și apoi trageți rapid.

8. **Pornirea electrică, dacă este prevăzută:** Rotiți comutatorul demarorului electric (D, Figurile 7, 8) în poziția PORNIT sau PORNIRE.

**NOTIFICARE** Pentru a prelungi durata de funcționare a demarorului, utilizați cicluri scurte de pornire (maxim cinci secunde). Așteptați un minut între ciclurile de pornire.

Dacă motorul nu pornește după 3 sau 4 încercări, contactați dealerul local sau vizitați [vanguardpower.com](http://vanguardpower.com) sau apelați 1-800-999-9333.

## Sistem electronic de gestionare a combustibilului

1. Verificați nivelul uleiului din motor. Consultați secțiunea **Verificarea nivelului uleiului**.
2. Asigurați-vă că comenzile de deplasare ale echipamentului, dacă sunt prevăzute, nu sunt activate.
3. Deplasați robinetul de închidere a combustibilului (A, Figura 7), dacă este prevăzut, în poziția DESCHIS.
4. Apăsăți comutatorul de oprire (F, Figurile 7, 8), dacă este prevăzut, în poziția PORNIT.
5. Deplasați maneta de accelerație (B, Figura 8), dacă este prevăzută, în poziția RAPID. Utilizați motorul în poziția RAPID.
6. **Pornire cu arc, dacă este prevăzut cu contact cu cheie auto:** Rotiți contactul cu cheie (D, Figurile 7, 8) în poziția PORNIT.
7. **Demaror cu arc, dacă este prevăzut:** Apucați ferm mânerul de pornire (E, Figurile 7, 8). Trageți mânerul corzii de pornire lent până când întâmpinați rezistență, apoi trageți rapid.



### AVERTISMENT

Retragerea rapidă a corzii demarorului (reculul) vă va trage mâna și brațul către motor mai repede decât puteți să îi dați drumul. Aceasta poate provoca ruperea oaselor, fracturi, vânătăi sau luxații. Pentru a evita reculul la pornirea motorului, trageți lent coarda până simțiți rezistență, și apoi trageți rapid.

8. **Pornirea electrică, dacă este prevăzută:** Rotiți comutatorul demarorului electric (D, Figurile 7, 8) în poziția PORNIT sau PORNIRE.

**NOTIFICARE** Pentru a prelungi durata de funcționare a demarorului, utilizați cicluri scurte de pornire (maxim cinci secunde). Așteptați un minut între ciclurile de pornire.

Dacă motorul nu pornește după 3 sau 4 încercări, contactați dealerul local sau vizitați [vanguardpower.com](http://vanguardpower.com) sau apelați 1-800-999-9333.

## Sistemul cu șoc

1. Verificați nivelul uleiului din motor. Consultați secțiunea **Verificarea și adăugarea uleiului**.
2. Asigurați-vă că comenzile de deplasare ale echipamentului, dacă sunt prevăzute, nu sunt activate.

- Deplasați robinetul de închidere a combustibilului (A, Figura 7), dacă este prevăzut, în poziția DESCHIS.
- Apăsăți comutatorul de oprire (F, Figurile 7, 8), dacă este prevăzut, în poziția PORNIT.
- Deplasați maneta de accelerație (B, Figura 7), dacă este prevăzută, în poziția RAPID. Utilizați motorul în poziția RAPID.
- Mutați șocul (C, Figurile 9, 10) în poziția ÎNCHIS.

**NOTĂ:** De obicei, nu este necesar să folosiți șocul la pornirea unui motor cald.

- Pornire cu arc, dacă este prevăzut cu contact cu cheie auto:** Rotiți contactul cu cheie (D, Figurile 7, 8) în poziția PORNIT.
- Demaror cu arc, dacă este prevăzut:** Apucați ferm mânerul de pornire (E, Figurile 7, 8). Trageți mânerul corzii de pornire (E) lent până când întâmpinați rezistență, apoi trageți rapid.



#### AVERTISMENT

Retragerea rapidă a corzii demarorului (reculul) vă va trage mâna și brațul către motor mai repede decât puteți să îi dați drumul. Aceasta poate provoca ruperea oaselor, fracturi, vânătăi sau luxații. Pentru a evita reculul la pornirea motorului, trageți lent coarda până simțiți rezistență, și apoi trageți rapid.

- Pornire electrică, dacă există:** Rotiți contactul cu cheie (D, Figurile 7, 8) în poziția PORNIT sau PORNIRE.

#### NOTIFICARE

Pentru o prelungi durată de funcționare a demarorului, utilizați cicluri scurte de pornire (maxim cinci secunde). Așteptați un minut între ciclurile de pornire.

- Pe măsură ce motorul se încălzește, mutați comanda șocului (C, Figurile 9, 10) în poziția DESCHIS.

**NOTĂ:** Dacă motorul nu pornește după 2-3 încercări, contactați dealerul local, vizitați [vanguardpower.com](http://vanguardpower.com) sau apelați 1-800-999-9333.

### Oprirea motorului



#### AVERTISMENT

Combustibilul și vaporii săi sunt foarte inflamabili și explozivi. Incendiul sau explozia pot provoca arsuri sau decesul.

- Nu înecați carburatorul (dacă este prevăzut) pentru a opri motorul.

- Comutator de oprire, dacă este prevăzut:** Deplasați comutatorul de oprire (F, Figura 11) în poziția OPRIT.
- Contact cu cheie, dacă este prevăzut:** Cu maneta de accelerație, dacă este prevăzută, în poziția LENT, rotiți contactul cu cheie (D, Figura 11) în poziția OPRIT. Scoateți cheia și păstrați-o într-un loc sigur, unde nu este la îndemâna copiilor.
- După oprirea motorului, deplasați robinetul de oprire a combustibilului (A, Figura 11), dacă este prevăzut, în poziția ÎNCHIS.

## Întreținere

### Informații privind întreținerea



#### AVERTISMENT

Combustibilul și vaporii săi sunt foarte inflamabili și explozivi. Incendiul sau explozia pot provoca arsuri sau decesul.

În timpul întreținerii, dacă este necesară înclinarea unității, asigurați-vă că rezervorul de combustibil, dacă este montat pe motor, este gol, iar latura pe care se află bujia este orientată în sus. Dacă rezervorul de combustibil nu este gol, combustibilul se poate scurge, provocând un incendiu sau o explozie. Dacă motorul este înclinat în altă direcție, acesta nu va porni ușor din cauza contaminării cu ulei sau combustibil a filtrului de aer sau a bujiei.



#### AVERTISMENT

Scânteile accidentale de la motor pot provoca un șoc electric, incendiu sau explozie, ceea ce conduce la agățare, amputare traumatică sau leziuni grave.

#### Înainte de a efectua reglaje sau reparații:

- Deconectați toate firele bujiei și țineți-le la distanță de bujii.
- Deconectați cablul acumulatorului de la borna negativă a acestuia (numai la motoarele cu sistem de pornire electrică).
- Utilizați numai unelte adecvate.

#### Când verificați scânteia:

- Utilizați un dispozitiv de testare aprobat pentru bujii incandescente.
- Nu verificați dacă există scânteie atunci când bujia este demontată.



#### AVERTISMENT

Piesele de schimb trebuie să fie identice și montate în aceeași poziție cu piesele originale. Alte piese pot provoca deteriorări sau vătămări.

#### NOTIFICARE

Pentru o funcționare corectă, toate componentele utilizate la fabricarea acestui motor trebuie să fie prezente.

Apelați la un dealer autorizat de service Briggs & Stratton pentru toate operațiile de întreținere și reparare a motorului și a pieselor motorului.

## Întreținerea sistemului de control al emisiilor

Pentru întreținerea, înlocuirea sau repararea sistemelor și dispozitivelor de control al emisiilor, contactați o unitate sau persoană specializată în repararea motoarelor nerutiere. Totuși, lucrările de întreținere „gratuite” pentru controlul emisiilor trebuie efectuate de către un dealer autorizat de fabrică. Consultați declarațiile privind controlul emisiilor.

## Programul de întreținere

La fiecare 8 ore sau zilnic
<ul style="list-style-type: none"> <li>Verificați nivelul uleiului de motor.</li> <li>Curățați zona din jurul comenzilor și tobei de echipament.</li> </ul>
La fiecare 100 de ore sau anual
<ul style="list-style-type: none"> <li>Montați bujiile la loc.</li> <li>Schimbați uleiul de motor.</li> <li>Înlocuiți filtrul de ulei (dacă există).</li> <li>Servisați filtrul de aer<sup>1</sup>.</li> <li>Curățați prefiltrul (dacă există)<sup>1</sup>.</li> <li>Întrețineți sistemul de evacuare.</li> </ul>
La fiecare 250 de ore sau anual
<ul style="list-style-type: none"> <li>Verificați jocul supapei. Reglați dacă este necesar.</li> </ul>
La fiecare 400 de ore sau anual
<ul style="list-style-type: none"> <li>Înlocuiți filtrul de aer.</li> <li>Înlocuiți filtrul de combustibil.</li> <li>Reparați sistemul de răcire cu aer<sup>1</sup>.</li> <li>Curățați lamelele radiatorului de ulei<sup>1</sup>.</li> </ul>

<sup>1</sup> Curățați mai frecvent în condițiile cu praf sau când există multe particule în aer.

## Sistem de injecție electronică de combustibil (EFI)

Sistemul EFI monitorizează temperatura și turația motorului, precum și tensiunea acumulatorului în timpul pornirii și încălzirii motorului. Sistemul nu este prevăzut cu reglaje. Dacă apar probleme la pornire sau la funcționare, luați legătura cu un Dealer autorizat de service Briggs & Stratton.

**NOTIFICARE** Asigurați-vă că parcurgeți etapele de mai jos, în caz contrar sistemul EFI se poate deteriora.

- NU porniți motorul în cazul în care cablurile acumulatorului sunt slăbite.
- Rotiți cheia în poziția OPRIT înainte de deconectarea, demontarea și/sau montarea acumulatorului.
- NU folosiți un încărcător de acumulator pentru a porni motorul.
- NU deconectați cablurile acumulatorului în timpul funcționării motorului.
- Când conectați cablurile acumulatorului, conectați mai întâi cablul pozitiv (+), apoi cablul negativ (-) la acumulator.

- Când încărcați acumulatorul, deplasați comutatorul de pornire în poziția OPRIT și deconectați cablul negativ (-) de la acumulator.
- NU pulverizați apă direct pe modulul de control electronic.

## Sistem electronic de gestionare a combustibilului

Sistemul electronic de gestionare a combustibilului monitorizează temperatura și turația motorului, precum și tensiunea acumulatorului, pentru a regla șocul în momentul pornirii și încălzirii motorului. Sistemul nu este prevăzut cu reglaje. Dacă apar probleme la pornire sau la funcționare, luați legătura cu un dealer autorizat de service Briggs & Stratton.

**NOTIFICARE** Asigurați-vă că respectați aceste reguli, în caz contrar sistemul electronic de gestionare a combustibilului se poate deteriora.

- NU porniți motorul în cazul în care cablurile acumulatorului sunt slăbite.
- Înainte să conectați cablurile auto pentru transfer de curent, să deconectați sau să reconectați cablurile acumulatorului, rotiți comutatorul de aprindere în poziția OPRIT. Când încărcați acumulatorul, rotiți comutatorul de aprindere în poziția OPRIT.
- Când deconectați cablurile acumulatorului de la acumulator, deconectați cablul negativ (-), apoi cablul pozitiv (+) de la acumulator. Când conectați cablurile acumulatorului la acumulator, conectați cablul pozitiv (+), apoi cablul negativ (-) la acumulator.
- NU folosiți un încărcător de acumulator pentru a porni motorul.
- NU deconectați cablurile acumulatorului în timpul funcționării motorului.
- NU pulverizați apă direct pe unitatea electronică de comandă.

## Carburatorul și turația motorului

Nu efectuați ajustări la carburator, la clapetele reglatoare, la articulații sau la alte piese pentru a regla turația motorului. Dacă sunt necesare reglaje, apelați la un dealer autorizat de service Briggs & Stratton.

### NOTIFICARE

Producătorul echipamentului specifică turația maximă a motorului instalat pe echipament. Nu depășiți această turație. Dacă aveți dubii cu privire la turația maximă a echipamentului dvs. sau la turația reglată din fabrică, contactați un Dealer autorizat de service Briggs & Stratton pentru asistență. Pentru o funcționare sigură și corectă a echipamentului, turația motorului trebuie reglată numai de către un tehnician de service calificat.

## Lucrările de întreținere ale bujiei

Verificați distanța disruptivă a bujiei (A, Figura 12) cu un calibru de sărmă (B). Dacă este necesar, reglați distanța disruptivă a bujiei. Montați și strângeți bujia la cuplul corect. Pentru specificații privind distanța disruptivă a bujiei și cuplul, consultați secțiunea **Specificații**.

## Lucrările de service ale sistemului de evacuare



### AVERTISMENT

**În timpul funcționării, motorul și toba se încălzesc. Dacă atingeți un motor fierbinte, se pot produce arsuri termice.**

**Materialele inflamabile, precum frunzele, iarba, arbuștii se pot aprinde.**

- Înainte să atingeți motorul sau toba, opriți motorul și așteptați două (2) minute. Asigurați-vă că motorul și toba pot fi atinse fără a fi în pericol.
- Îndepărtați reziduurile din tobă și din motor.

Conform California Public Resource Code, secțiunea 4442, este interzisă utilizarea motorului în zone cu păduri, tufișuri sau iarbă fără ca sistemul de evacuare să fie dotat cu un paravan de scântei, așa cum se definește în secțiunea 4442, aflat în bună stare de funcționare. Alte state sau jurisdicții federale ar putea avea o legislație similară; consultați Regulamentul Federal 36 CFR Partea 261.52. Contactați producătorul echipamentului original, comerciantul cu amănuntul sau dealerul pentru a obține un paravan de scântei proiectat pentru sistemul de evacuare montat pe acest motor.

Îndepărtați reziduurile din toba de eșapament și din zona cilindrului motorului. Verificați ca toba de eșapament să nu prezinte crăpături, coroziune sau alte probleme. Îndepărtați dispozitivul parascântei, dacă este prevăzut, și verificați să nu fie deteriorat sau să prezinte blocaje de carbon. Dacă depistați probleme, montați piesele de schimb înainte de utilizarea echipamentului.



### AVERTISMENT

Piesele de schimb trebuie să fie identice și montate în aceeași poziție cu piesele originale. Alte piese pot provoca deteriorări sau vătămări.

## Schimbați uleiul de motor



### AVERTISMENT

**Combustibilul și vaporii săi sunt foarte inflamabili și exploziv. Incendiul sau explozia pot provoca arsuri sau decesul.**

**În timpul funcționării, motorul și toba se încălzesc. Dacă atingeți un motor fierbinte, se pot produce arsuri termice.**

- Dacă scurgeți uleiul prin tubul superior de alimentare cu ulei, rezervorul de combustibil trebuie să fie gol. Dacă nu este gol, combustibilul se poate scurge, provocând un incendiu sau o explozie.
- Înainte să atingeți motorul sau toba, opriți motorul și așteptați două (2) minute. Asigurați-vă că motorul și toba pot fi atinse fără a fi în pericol.

Uleiul uzat este un deșeu periculos și trebuie să fie eliminat în mod corect. Nu îl aruncați împreună cu deșeurile menajere. Interesați-vă la autoritățile locale, centrul de service sau la dealer care sunt posibilitățile de eliminare sau reciclare sigure.

## Scurgerea uleiului

1. Cu motorul OPRIT dar cald, deconectați fișa (fișele) bujiilor (D, Figura 13) și mențineți-o la distanță de bujie (bujii) (E).
2. Scoaterea joiei (A, Figurile 14, 15).
3. Demontați bușonul de scurgere a uleiului (F, Figurile 16, 17). Goliți uleiul într-un recipient aprobat.
4. Montați la loc și strângeți bușonul de scurgere a uleiului (F, Figurile 16, 17).

## Filtru de schimbare a uleiului, dacă există

1. Scurgeți uleiul din motor. Consultați secțiunea **Scurgerea uleiului**.
2. Scoateți filtrul de ulei (G, Figurile 18, 19) și eliminați-l corect.
3. Înainte de a instala noul filtru de ulei, lubrifiați ușor garnitura filtrului de ulei cu ulei curat.
4. Montați filtrul de ulei manual până când garnitura face contact cu adaptorul filtrului de ulei, apoi strângeți filtrul de ulei cu 1/2 până la 3/4 de tură.
5. Adăugați ulei. Consultați secțiunea **Adăugarea uleiului**.
6. Porniți și utilizați motorul. Când motorul este cald, verificați existența scurgerilor de ulei.
7. Opriți motorul. Asigurați-vă că nivelul uleiului este în partea superioară a indicatorului de plin de pe joă. Consultați secțiunea **Adăugarea uleiului**.

## Adăugarea uleiului

- Asigurați-vă că motorul este orizontal.
  - Curățați zona orificiului de alimentare cu ulei de toate reziduurile.
  - Consultați secțiunea **Specificații** pentru detalii cu privire la capacitatea uleiului.
1. Scoaterea joiei (A, Figurile 20, 21). Îndepărtați uleiul de pe joă cu o cârpă curată.
  2. Adăugați lent ulei în orificiul de alimentare cu ulei (C, Figurile 20, 21). **Nu alimentați în exces.** Așteptați un minut și apoi verificați nivelul uleiului.
  3. Montați și strângeți joia (A, Figurile 20, 21).
  4. Scoateți joia și verificați nivelul uleiului. Nivelul corect al uleiului este în partea superioară a indicatorului de plin (B, Figurile 20, 21) de pe joă.
  5. Montați și strângeți joia (A, Figurile 20, 21).
  6. Conectați fișa bujiei (fișele bujiilor) (D, Figura 20) la bujie (bujii).

## Lucrările de service ale filtrului de aer



### AVERTISMENT

**Combustibilii sunt inflamabili, iar vaporii lor sunt exploziv. Incendiul sau explozia pot provoca arsuri sau decesul.**

- Nu porniți și nu utilizați motorul având demontat ansamblul filtrului de aer (dacă este prevăzut) sau filtrul de aer (dacă este prevăzut).

### NOTIFICARE

Nu folosiți aer comprimat sau solvenți pentru a curăța filtrul. Aerul comprimat poate duce la deteriorarea filtrului, iar solvenții vor dizolva filtrul.

Pentru informații despre întreținere, consultați **Programul de întreținere**.

Unele modele au un prefiltru opțional, care poate fi spălat și refolosit. Comparați ilustrațiile din acest manual cu tipul montat pe motorul dvs.

1. **Modele fără rezervor de combustibil:** Desfaceți elementul(elementele) de fixare (A, Figura 22) și demontați capacul (B).
2. **Modele cu rezervor de combustibil:** Demontați elementul (elementele) de fixare (C, Figura 23) și capacul (D).

- Demontați piulița (D, Figurile 22, 23) și șaiba (E).
- Demontați filtrul de aer (F, Figurile 22, 23).
- Demontați prefiltrul (G, Figurile 22, 23), dacă este prevăzut, de pe filtrul de aer (F).
- Pentru a face să cadă reziduurile, loviți ușor filtrul (F, Figurile 22, 23) de o suprafață tare. În cazul în care filtrul de aer este murdar, înlocuiți-l cu un filtru nou.
- Spălați prefiltrul (G, Figurile 22, 23), dacă este prevăzut, în detergent lichid și apă. Așteptați ca prefiltrul să se usuce complet. **NU** lubrifiați prefiltrul.
- Montați prefiltrul uscat (G, Figurile 22, 23), dacă este prevăzut, pe filtrul de aer (F).
- Instalați filtrul de aer (F, Figurile 22, 23) și atașați cu șaiba (E) și piulița (D).
- Montați capacul (B, Figurile 22, 23).

## Verificați sistemul de alimentare cu combustibil

### AVERTISMENT

**Combustibilul și vaporii săi sunt foarte inflamabili și explozivi. Incendiul sau explozia pot provoca arsuri sau decesul.**

- Păstrați combustibilul la distanță față de scânteii, flăcări deschise, flăcări de veghe, surse de căldură și alte surse de aprindere.
- Verificați frecvent conductele de combustibil, bușonul rezervorului de combustibil și racordurile pentru a vedea dacă nu prezintă fisuri sau scurgeri. Înlocuiți componentele deteriorate.
- În cazul în care se varsă combustibil, așteptați până la uscarea acestuia înainte să porniți motorul.

### Filtrul de combustibil, dacă există

- Înainte de a înlocui filtrul de combustibil (A, Figura 24), golți rezervorul de combustibil sau închideți robinetul de oprire a combustibilului. Dacă rezervorul de combustibil nu este golit, combustibilul se poate scurge și poate provoca un incendiu sau o explozie.
- Strângeți lamelele (B, Figura 24) colierelor (C) cu clește. Scoateți colierele de pe filtrul de combustibil (A).
- Răsuciți și extrageți conductele de combustibil (D, Figura 24) de pe filtrul de combustibil.
- Inspectați dacă conductele de combustibil (D, Figura 24) prezintă crăpături sau scurgeri. Dacă este necesar, înlocuiți conductele de combustibil.
- Înlocuiți filtrul de combustibil (A, Figura 24).
- Prindeți conductele de combustibil (D, Figure 24) cleme (C).

## Întreținerea sistemului de răcire

### AVERTISMENT

**În timpul funcționării, motorul și toba se încălzesc. Dacă atingeți un motor fierbinte, se pot produce arsuri termice.**

**Materialele inflamabile, precum frunzele, iarba, arbuștii etc. se pot aprinde.**

- Înainte să atingeți motorul sau toba, opriți motorul și așteptați două (2) minute. Asigurați-vă că motorul și toba pot fi atinse fără a fi în pericol.
- Îndepărtați reziduurile din tobă și din motor.

### NOTIFICARE

NU folosiți apa la curățarea pieselor motorului. Apa poate provoca contaminarea sistemului de alimentare cu combustibil. Folosiți o perie sau o cârpă uscată pentru curățarea motorului.

Acest motor este răcit cu aer. Murdăria sau reziduurile pot împiedica fluxul de aer și provoca supraîncălzirea motorului, având ca rezultat performanța necorespunzătoare și reducerea duratei de funcționare a motorului.

- Folosiți o perie sau o cârpă uscată pentru a îndepărta reziduurile de pe grilajul pentru admisia aerului (A).
- Păstrați curate elementele de legătură, arcurile și comenzile.
- Păstrați zona din jurul și din spatele echipamentului, dacă este prevăzută, fără reziduuri combustibile.
- Asigurați-vă că paletele ventilatorului de răcire a uleiului sunt curate.

După un timp, în nervurile de răcire ale cilindrului se pot strânge reziduuri, care pot provoca supraîncălzirea motorului. Aceste materiale nedorite nu pot fi îndepărtate fără dezambalarea parțială a motorului. Apelați la un Dealer autorizat de service Briggs & Stratton pentru inspecția și curățarea sistemului de răcire cu aer conform recomandărilor din **Programul de întreținere**.

## Depozitarea

### Sistemul de alimentare cu combustibil

Consultați Figura: 25.

### AVERTISMENT

**Combustibilul și vaporii săi sunt foarte inflamabili și explozivi. Incendiul sau explozia pot provoca arsuri sau decesul.**

### Depozitarea combustibilului

- Deoarece flăcările de veghe sau alte surse de aprindere pot provoca explozii, depozitați combustibilul sau echipamentul la distanță de cuptoare, sobe, boilere sau alte echipamente care au făcără de veghe.

Depozitați motorul în poziție orizontală (poziția normală de lucru). Umpleți rezervorul de combustibil (A, Figura 25) cu combustibil. Pentru a permite dilatarea combustibilului, nu umpleți mai sus de gâtul rezervorului de combustibil (B).

Combustibilul își poate pierde valabilitatea atunci când este păstrat într-un recipient de depozitare mai mult de 30 de zile. Se recomandă folosirea unui aditiv pentru combustibil fără alcool și a unui tratament pe bază de etanol în recipientul de depozitare, pentru a preveni degradarea combustibilului și pentru a-l menține proaspăt.

Atunci când umpleți recipientul de combustibil cu combustibil, adăugați un aditiv pentru combustibil fără alcool, conform instrucțiunilor producătorului. Dacă benzina din motor nu a fost tratată cu aditiv pentru combustibil, ea trebuie scursă într-un recipient aprobat. Lăsați motorul să funcționeze până când rămâne fără combustibil.

## Ulei de motor

Schimbați uleiul cât timp motorul este cald. Consultați secțiunea **Schimbarea uleiului de motor**.

## Remediarea defecțiunilor

### Asistență

Pentru asistență, contactați dealerul local sau accesați **BRIGGSandSTRATTON.COM** sau apelați **1-800-444-7774** (în SUA).

## Specificații

### Specificații și piese de service

MODELE: 290000, 300000	
Capacitate cilindrică	29.23 ci (479 cc)
Alezaj	2.677 țol (68 mm)
Cursă	2.598 țol (66 mm)
Capacitate ulei	46 - 48 oz (1,36 - 1,42 L)
Distanță electrozi bujie	.030 țol (.76 mm)
Cuplu bujie	180 livră-țol (20 Nm)
Distanță electrozi rotor - Modele de carburator	.008 - .012 țol (.20 - .30 mm)
Joc supapă de admisie	.004 - .006 țol (.10 - .15 mm)
Joc supapă de evacuare	.004 - .006 țol (.10 - .15 mm)

MODEL: 350000	
Capacitate cilindrică	34.78 ci (570 cc)
Alezaj	2.835 țol (72 mm)
Cursă	2.756 țol (70 mm)
Capacitate ulei	46 - 48 oz (1,36 - 1,42 L)
Distanță electrozi bujie	.030 țol (.76 mm)
Cuplu bujie	180 livră-țol (20 Nm)
Distanță electrozi rotor - Modele de carburator	.008 - .012 țol (.20 - .30 mm)
Joc supapă de admisie	.004 - .006 țol (.10 - .15 mm)
Joc supapă de evacuare	.004 - .006 țol (.10 - .15 mm)

MODEL: 380000	
Capacitate cilindrică	38.26 ci (627 cc)
Alezaj	2.972 țol (75,5 mm)
Cursă	2.756 țol (70 mm)
Capacitate ulei	46 - 48 oz (1,36 - 1,42 L)
Distanță electrozi bujie	.030 țol (.76 mm)
Cuplu bujie	180 livră-țol (20 Nm)



MODEL: 380000	
Distanță electrozi rotor - Modele de carburator	.008 - .012 țol (.20 - .30 mm)
Joc supapă de admisie	.004 - .006 țol (.10 - .15 mm)
Joc supapă de evacuare	.004 - .006 țol (.10 - .15 mm)

Puterea motorului va scădea cu 3,5% la fiecare 1.000 de picioare (300 de metri) deasupra nivelului mării și cu 1% la fiecare 10°F (5,6°C) peste 77°F (25°C). Motorul va funcționa satisfăcător la un unghi de până la 15°. Consultați manualul de utilizare al echipamentului pentru limitările de siguranță permise privind utilizarea în pantă.

MODELE: 290000, 300000, 350000, 380000	
Componentă service	Număr piesă
Filtru de aer (cu rezervor de combustibil, Figura 23)	383857
Filtru de aer (cu excepția Modelului 380000, Figura 22)	394018
Filtru de aer (Model 380000, 22)	692519
Filtru de aer, Prefiltru (cu rezervor de combustibil, Figura 23)	271794
Filtru de aer, Prefiltru (cu excepția Modelului Model 380000, Figura 22)	272490
Filtru de aer, Prefiltru (Model 380000, Figura 22)	692520
Ulei - SAE 30	100028
Filtru de ulei	842921
Filtru de combustibil (cu rezervor de combustibil)	808116
Filtru de combustibil (cu pompă de combustibil)	845125
Filtru de combustibil (fără pompă de combustibil)	298090
Bujie cu rezistor	491055S
Bujie din platină cu viață lungă	696202, 5066K
Cheie pentru bujii	19576S
Tester de bujii	84003327

Vă recomandăm să apelați la un dealer autorizat Briggs & Stratton pentru toate operațiile de întreținere și reparare a motorului și a pieselor motorului.

## Capacitate nominală

Puterea nominală brută aferentă modelelor individuale de motoare pe benzină este etichetată în conformitate cu SAE (Societatea inginerilor auto), cod J1940, Procedura de evaluare a puterii și cuplului motoarelor mici, și este clasificată în conformitate cu SAE J1995. Valorile cuplului sunt stabilite la 2.600 RPM pentru motoarele cu turația indicată pe etichetă și la 3.060 RPM pentru toate celelalte; valorile exprimate în cai putere sunt stabilite la 3.600 RPM. Curbele de variație a puterii brute pot fi vizualizate la adresa [www.BRIGGSandSTRATTON.COM](http://www.BRIGGSandSTRATTON.COM). Valorile puterii nete sunt determinate cu motorul având montate echipamentul și filtrul de aer, în timp ce valorile puterii brute sunt determinate fără aceste accesorii. Puterea brută efectivă a motorului va fi mai mare decât puterea netă a motorului și este afectată, printre altele, de condițiile de funcționare din mediul ambiant și de variabilitatea specifică motorului respectiv. Dat fiind faptul că motoarele sunt montate pe o varietate largă de produse, motorul pe benzină poate să nu dezvolte puterea brută nominală atunci când este utilizat pe un anumit echipament. Această diferență se datorează unei multitudini de factori incluzând, dar fără a se limita la, varietatea de componente ale motorului (filtru de aer, echipament, sarcină, răcire, carburator, pompă de combustibil etc.), limitele de aplicare, condițiile de funcționare din mediul ambiant (temperatură, umiditate, altitudine), precum și de variabilitatea specifică motorului respectiv. Datorită limitărilor de producție și de capacitate, este posibil ca Briggs & Stratton să înlocuiască acest motor cu unul de putere nominală mai mare.

## Garanție

### Garanția motorului Briggs & Stratton®

Valabilă din august 2022

#### Garanție limitată

Briggs & Stratton garantează că, în perioada de garanție specificată mai jos, va repara sau va înlocui în mod gratuit, cu o piesă nouă, recondiționată sau refăcută, soluția aleasă revine în responsabilitatea exclusivă a Briggs & Stratton, orice componente cu defecte de material, de manoperă sau ambele. Cheltuielile de transport pentru produsele trimise pentru a fi reparate sau înlocuite conform cu această garanție trebuie suportate de către cumpărător. Această garanție este valabilă pentru perioadele de timp și în condițiile menționate mai jos. Pentru a beneficia de service în baza garanției, găsiți cel mai apropiat dealer autorizat de service utilizând lista de dealeri la [BRIGGSandSTRATTON.COM](http://BRIGGSandSTRATTON.COM). Cumpărătorul trebuie să contacteze dealerul autorizat pentru service și trebuie să îi pună acestuia la dispoziție produsul pentru inspecție și testare.

**Nu există alte garanții explicite. Garanțiile implicite, inclusiv cele de vandabilitate și potrivire pentru un scop anume, se limitează la un an de la cumpărare sau la perioada permisă de lege. Toate celelalte garanții implicite sunt excluse.**

**Responsabilitatea pentru daunele accidentale sau rezultate pe cale de consecință este exclusă în măsura în care legea permite această excludere.**

Unele state sau țări nu permit limitarea duratei de valabilitate a unei garanții implicite, iar unele state sau țări nu permit excluderea sau limitarea daunelor accidentale sau rezultate pe cale de consecință, astfel încât este posibil ca limitările și excluderile mai sus menționate să nu se aplice în cazul dumneavoastră. Această garanție vă conferă anumite drepturi legale iar în plus puteți beneficia și de alte drepturi, care diferă de la o țară la alta și de la un stat la altul.

### Termenii standard ai garanției <sup>1, 2</sup>

#### Vanguard®; Seria comercială

Uz personal - 36 de luni

Uz comercial - 36 de luni

#### Seria XR

Utilizare personală - 24 de luni

Utilizare comercială - 24 de luni

#### Toate celelalte motoare cu cilindri din fontă Dura-Bore™

Uz personal - 24 de luni

Uz comercial - 12 luni

#### Toate celelalte motoare

Uz personal - 24 de luni

Uz comercial - 3 luni

<sup>1</sup> Aceștia sunt termenii noștri standard de garanție, însă este posibil să publicăm ocazional termeni de garanție suplimentari, care nu existau la data publicării. Pentru a obține termenii de garanție actualizați ai motorului dvs., accesați [BRIGGSandSTRATTON.COM](http://BRIGGSandSTRATTON.COM) sau contactați un dealer autorizat de service Briggs & Stratton.

<sup>2</sup> Nu se acordă garanție pentru motoarele folosite ca sursă principală de alimentare în locul rețelelor de utilități; pentru generatoarele de rezervă folosite în scop comercial, pentru vehiculele utilitare cu o viteză de peste 25 de mile pe oră, sau pentru motoarele folosite în competiții sau pe utilaje comerciale ori de închiriat.

\* În Australia - Produsele noastre sunt livrate cu garanții care nu pot fi excluse în temeiul Legii australiene privind protecția consumatorului. Aveți dreptul la înlocuire sau rambursări în cazul unei defecțiuni majore și la compensări în cazul oricărui altor daune sau deteriorări previzibile în mod rezonabil. De asemenea, aveți dreptul la reparații sau înlocuiri ale produselor dacă acestea nu sunt de calitate acceptabilă și dacă defecțiunea nu este una majoră. Pentru a beneficia de service conform garanției, localizați cel mai apropiat dealer autorizat de service folosind harta lista de dealeri de pe [BRIGGSandSTRATTON.COM](http://BRIGGSandSTRATTON.COM), apelând 1300 274 447 sau contactându-ne prin e-mail ori în scris la [salesenquires@briggsandstratton.com.au](mailto:salesenquires@briggsandstratton.com.au), Briggs & Stratton Australia Pty Ltd, 1 Moorebank Avenue, Moorebank, NSW, Australia, 2170.

Perioada de garanție începe de la data achiziționării produsului de către primul consumator particular sau utilizator industrial final, și continuă pentru perioada de timp specificată mai sus. „Utilizare personală” înseamnă utilizare rezidențială de către un consumator privat. „Utilizare comercială” înseamnă toate celelalte utilizări, inclusiv utilizarea în scopuri comerciale, aducătoare de venituri sau chirie. În cadrul acestei polițe de garanție, un motor, odată ce a fost utilizat comercial este considerat ca fiind de uz comercial și pentru viitor.

**Nu este necesară nici o înregistrare a garanției pentru a obține garanția pentru produsele Briggs & Stratton. Păstrați documentul care dovedește achiziția. Dacă nu prezentați dovada datei achiziției inițiale în momentul în care solicitați service în baza garanției, pentru a determina eligibilitatea la garanție va fi folosită data de fabricație a produsului.**

#### Despre garanție

Această garanție acoperă exclusiv defectele de material și/sau de manoperă ale motorului și nu implică înlocuirea sau rambursarea costului echipamentului pe care a fost montat motorul. Întreținerea de rutină, reglajele, ajustările sau uzura normală nu sunt acoperite de această garanție. În mod similar, garanția nu este valabilă dacă motorul a fost modificat sau dacă numărul de serie al motorului a fost deteriorat sau îndepărtat. Această garanție nu acoperă deteriorările motorului sau problemele de performanță cauzate de:

- folosirea altor piese decât Briggs & Stratton
- funcționarea motorului cu ulei insuficient, contaminat sau cu caracteristici inadecvate;
- Folosirea de combustibil contaminat sau vechi, benzină cu peste 10% etanol sau folosirea de combustibili alternativi precum gaz petrol lichefiat (GPL) sau gaz natural pe motoare care nu au fost proiectate/produse de Briggs & Stratton pentru a funcționa cu astfel de combustibili;
- Murdăria intrată în motor din cauza întreținerii sau a reasamblării incorecte a filtrului de aer;
- lovirea unui obiect cu lama cuțitului unei mașini cu cuțite rotative de tuns gazonul, montarea incorectă sau fără strângere adecvată a adaptoarelor cuțitelor, rotoarelor sau altor dispozitive montate pe arborele cotit, sau strângerea excesivă a curelei trapezoidale;

6. Piese sau ansamble asociate care nu sunt furnizate de Briggs & Stratton, precum ambreiaje, transmisii, comenzi ale echipamentului;
7. supraîncălzirea din cauza ierbii tăiate, noroiului, reziduurilor sau cuiburilor de rozătoare care astupă sau înfundă lamelele de răcire sau zona volantei, sau folosirea motorului fără ventilare suficientă;
8. vibrarea excesivă din cauza supraturării, fixării incorecte a motorului, cuțitelor sau rotoarelor desfăcute sau dezechilibrate, sau cuplării incorecte a componentelor echipamentului pe arborele cotit;
9. folosirea greșită, lipsa întreținerii periodice, transport, manipulare sau depozitare, instalare incorectă a motorului.

Service-ul în baza garanției este disponibil doar prin intermediul dealerilor autorizați de service Briggs & Stratton. Localizați cel mai apropiat dealer autorizat de service pe harta noastră cu dealeri de pe BRIGGSandSTRATTON.COM sau apelând 1-800-444-7774 (în SUA).

80114782 (Revizia A)

Not for reproduction

## Общая информация



Данное руководство содержит информацию по технике безопасности относительно опасностей и рисков, связанных с двигателем, и способов их предотвращения. В нем также содержатся сведения о правильной эксплуатации и техническом обслуживании данного двигателя. Важно, чтобы вы прочитали, поняли и соблюдали эти инструкции. **После прочтения данного руководства следует сохранить его, чтобы в дальнейшем пользоваться им как справочником.**

**ПРИМЕЧАНИЕ:** Рисунки и иллюстрации в настоящем руководстве служат только для информации и могут отличаться от вида конкретной модели. Используйте рисунки, соответствующие конфигурации вашего двигателя. Если это необходимо, обращайтесь к официальному сервисному дилеру.

Запишите дату покупки, модель двигателя, его тип, данные на панели и серийный номер двигателя ожидая заказа частей на замену. Эти номера указаны на вашем двигателе. См. раздел **Конструктивные узлы и элементы управления.**

Дата покупки	
Модель/тип/отладка двигателя	
Серийный номер двигателя	

## Контактная информация представительства в Европе

По вопросам, касающимся нормы выбросов в Европе, обращайтесь в наш европейский офис по адресу:

Max-Born-Straße 2, 68519 Viernheim, Германия.

## Экологический стандарт Stage V (5) Европейского союза (ЕС): Значения углекислого газа (CO<sub>2</sub>)

Показатели содержания углекислого газа для двигателей Briggs & Stratton, сертифицированных для ЕС, можно найти на веб-сайте [BriggsandStratton.com](http://BriggsandStratton.com), введя CO<sub>2</sub> в окно поиска.

## Информация об утилизации



Все упаковочные материалы, контейнеры, отработанное масло и аккумуляторные батареи необходимо утилизировать согласно нормативным требованиям.

## Безопасность эксплуатации Предупредительные знаки опасности и сигнальные слова



Символ предупреждения об опасности обозначает информацию об опасности получения травм. С этим предупредительным знаком используются слова (**ОПАСНО**, **ПРЕДУПРЕЖДЕНИЕ** или **ВНИМАНИЕ**), указывающие на вероятность и возможную степень серьезности травмы. Кроме того, для обозначения типа опасности может использоваться знак опасности.

Слово **«ОПАСНО»** указывает на опасную ситуацию, которая, если ее не избежать, **приведет** к смертельному исходу или получению серьезных травм.

Слово **ПРЕДУПРЕЖДЕНИЕ** указывает на опасную ситуацию, которая, если ее не избежать, **может привести** к смертельному исходу или получению серьезных травм.

**ОСТОРОЖНО** указывает на опасную ситуацию, которая, если ее не избежать, **может привести** к получению травмы малой или средней тяжести.

**ПРИМЕЧАНИЕ** указывает на важную, но не имеющую отношение к опасности информацию.

## Обозначения опасности и пояснения к ним



Информация об опасности получения травм.



Перед эксплуатацией и обслуживанием данного изделия внимательно прочтите руководство оператора.

Опасность пожара	Опасность взрыва
Опасность поражения электрическим током	Опасность ядовитого дыма
Опасность горячей поверхности	Опасность обратного хода
Опасность ампутации конечностей: движущиеся детали	Уровень топлива — Максимум Не допускайте переполнения

## Общие положения о безопасности



### ОСТОРОЖНО

Двигатели Briggs & Stratton® не предназначены и не должны использоваться в качестве привода для развлекательных и спортивных картов, детских, развлекательных или спортивных вседорожных транспортных средств, мотоциклов, транспортных средств на воздушной подушке, летательных аппаратов или транспортных средств для соревнований без получения разрешения компании Briggs & Stratton. Для получения информации о продукции для спортивных состязаний посетите сайт [www.briggsracing.com](http://www.briggsracing.com). Для получения информации об использовании мотовездеходов обратитесь в центр по применению силовых установок и двигателей Briggs & Stratton, 1-866-927-3349. Неправильное использование двигателя может привести к смертельному исходу или получению серьезных травм.



### ОСТОРОЖНО

Топливо и его пары легко воспламеняются и взрывоопасны. **Воспламенение или взрыв может привести к тяжелым ожогам или смертельному исходу.**

#### При доливе топлива

- Выключите двигатель. Перед снятием крышки топливозаправочной горловины, дайте двигателю остыть в течение, по меньшей мере, 2 (двух) минут.
- Заполняйте топливный бак на открытом воздухе или в хорошо вентилируемой зоне.
- Не заливайте в бак избыточное количество топлива. Чтобы учесть тепловое расширение топлива, не заполняйте топливный бак выше нижней части горловины.
- Храните топливо вдали от источников искр, открытого огня, зажженных горелок и других источников возгорания.
- Регулярно и часто проверяйте топливopроводы, топливный бак, крышку и патрубки на наличие трещин и протечек. Заменяйте поврежденные детали.
- Если топливо пролилось, дождитесь пока оно испарится, прежде чем заводить двигатель.

#### При запуске двигателя

- Убедитесь, что свеча зажигания, глушитель, крышка топливного бака и воздушный фильтр (при наличии) установлены правильно.
- Не заводите двигатель рукояткой при отключенном проводе свечи зажигания.
- Если карбюратор двигателя был переобогащен топливной смесью, то установите рычаг управления воздушной заслонкой (если имеется) в положение ОТКРЫТ или РАБОТА. Установите рычаг управления дросселем (при наличии) в положение БЫСТРО и проворачивайте двигатель до тех пор, пока он не запустится.
- Если в зоне работ есть утечка природного или сжиженного углеводородного газа, не запускайте двигатель.
- Не используйте находящиеся под давлением пусковые жидкости, поскольку их пары легко воспламеняются.

#### При эксплуатации оборудования

- Не наклоняйте двигатель или оборудование на угол, при котором может произойти разлив топлива.
- Не перекрывайте заслонку карбюратора (при наличии), чтобы остановить двигатель.
- Не запускайте и не эксплуатируйте двигатель со снятой системой очистки воздуха или воздушным фильтром (при их наличии).

#### При проведении технического обслуживания

- Если вы сливаете масло через верхний маслозаливной патрубок, топливный бак должен быть пустым. В противном случае топливо может разлиться и вызвать воспламенение или взрыв.
- Если при выполнении техобслуживания двигатель нужно наклонить, убедитесь, что топливный бак, если он установлен на двигателе, опорожнен, а сторона двигателя со свечей зажигания обращена вверх. В противном случае топливо может разлиться и вызвать воспламенение или взрыв.
- Регулярно и часто проверяйте топливопроводы, топливный бак, крышку и патрубки на наличие трещин и протечек. Заменяйте поврежденные детали.
- Не изменяйте настройку пружины регулятора, тяг и иных деталей, чтобы увеличить скорость работы двигателя.
- Не ударяйте по маховику молотком или другими твердыми предметами. Это может привести к выходу маховика из строя во время эксплуатации.
- Запасные части должны иметь такую же конструкцию и устанавливаться в том же положении, что и оригинальные детали. Использование других запасных частей может привести к повреждению оборудования или травмам.

#### При перемещении оборудования в другое место

- Убедитесь, что топливный бак ПУСТ и кран подачи топлива находится в положении ЗАКРЫТ.

#### При хранении топлива или оборудования с топливом в топливном баке

- Храните топливо и оборудование вдали от котлов, печей, водонагревателей и прочих приборов, в которых используются горелки, запальники или иные источники воспламенения, поскольку это может привести к воспламенению паров топлива.



#### ОСТОРОЖНО

Топливо и его пары легко воспламеняются и взрывоопасны. Воспламенение или взрыв может привести к тяжелым ожогам или смертельному исходу.

#### При запуске двигателя происходит искрение, что может привести к пожару или взрыву.

- Если в зоне работ есть утечка природного или сжиженного углеводородного газа, не запускайте двигатель.
- Не используйте находящиеся под давлением пусковые жидкости, поскольку их пары легко воспламеняются.



#### ОСТОРОЖНО

**ОПАСНОСТЬ ОТРАВЛЕНИЯ ЯДОВИТЫМИ ГАЗАМИ.** Выхлопные газы содержат окись углерода — ядовитый газ, который может убить за считанные минуты. Даже если запах выхлопных газов не чувствуется, опасность вдыхания угарного газа существует. Если во время эксплуатации данного изделия вы почувствовали тошноту или начали испытывать головокружение или слабость, выключите его и **НЕМЕДЛЕННО** выйдите на свежий воздух. Обратитесь к врачу. Возможно, вы отравились угарным газом.

- Угарный газ может накапливаться в закрытых пространствах. В целях сокращения риска накопления угарного газа, эксплуатируйте данное изделие ТОЛЬКО вне помещений и вдали от окон, дверей и вентиляционных отверстий.
- В соответствии с указаниями производителя в помещениях следует установить датчики оксида углерода (угарного газа), работающие от батарей или от сети с аварийным аккумуляторным источником питания. Аварийные датчики дыма не определяют наличие угарного газа.
- ЗАПРЕЩАЕТСЯ эксплуатировать данное изделие в домах, гаражах, подвалах, туннелях, сараях и других закрытых пространствах, даже при использовании вентиляторов или при открытых окнах и дверях для вентиляции. После начала эксплуатации данного изделия угарный газ может быстро накапливаться в таких пространствах и оставаться в них часами.
- **ВСЕГДА** размещайте данный продукт по ветру, чтобы выхлопные газы двигателя уносились в сторону от зон пребывания людей.



#### ОСТОРОЖНО

**Быстрое втягивание пускового троса (обратный ход) может притянуть руку к двигателю быстрее, чем вы успеете отпустить трос. Это может привести к переломам, ушибам или растяжениям.**

- При запуске двигателя медленно потяните за пусковой трос, пока не почувствуете сопротивление, а затем быстро дерните, чтобы избежать обратного хода троса.
- Перед запуском двигателя отключите или снимите все внешнее оборудование и нагрузки на двигатель.
- Убедитесь, что элементы оборудования, которые непосредственно подсоединены к двигателю, например, среди прочего, ножи, крыльчатки, шкивы, звездочки и т. д. надежно прикреплены.



#### ОСТОРОЖНО

**Вращающиеся детали могут захватывать и затягивать руки, ноги, волосы, одежду и украшения, что может привести к травматической ампутации или тяжелым рваным ранам.**

- Эксплуатируйте оборудование с правильно установленными защитными приспособлениями.
- Держите руки и ноги вдали от вращающихся частей оборудования.
- Снимайте украшения и собирайте длинные волосы в хвост, чтобы они находились вдали от движущихся/вращающихся деталей.
- Не надевайте свободную одежду или предметы, которые могут быть захвачены движущимися деталями.



#### ОСТОРОЖНО

**Двигатель и глушитель становятся очень горячими во время эксплуатации. Не прикасайтесь к горячему двигателю во избежание получения ожогов.**

**Воспламеняемый мусор, например, листья, трава, сухая поросль и т. д. могут служить источником пожара.**

- Прежде чем прикасаться к двигателю или глушителю, заглушите двигатель и подождите 2 (две) минуты. Убедитесь, что к двигателю и глушителю можно безопасно прикасаться.
- Удалите мусор с глушителя и двигателя.

Использование или эксплуатация двигателя на территории, покрытой лесом, кустарниками или травой, без оснащения системы выхлопных газов искрогасителем и поддержки его в рабочем состоянии, является нарушением раздела 4442 кодекса Public Resource Code штата Калифорния. Другие штаты или федеральные юрисдикции могут иметь аналогичные законы, см. Федеральный регламент 36 CFR Часть 261.52. Для приобретения искрогасителя, рассчитанного на выхлопную систему, которая установлена на двигателе, обратитесь к производителю оригинального оборудования, розничному продавцу или дилеру.



#### ОСТОРОЖНО

**Случайная искра в двигателе может привести к удару электрическим током, возгоранию или взрыву, а также к случайному запуску двигателя, что может стать причиной затягивания конечностей, травматической ампутации или рваной раны.**

#### Перед проведением регулировки или ремонта:

- Отсоедините все провода свечей зажигания и удалите их от свечей.
- Отключите провод аккумуляторной батареи на отрицательной клемме (только на двигателях с электрическим запуском).
- Используйте только подходящие инструменты.

#### При проверке наличия искры:

- Используйте утвержденный прибор для тестирования свечи зажигания.
- Не проверяйте наличие искры с вынутой свечой зажигания.



#### ОСТОРОЖНО

**Топливо и его пары легко воспламеняются и взрывоопасны. Воспламенение или взрыв может привести к тяжелым ожогам или смертельному исходу.**

#### Если вы почувствовали запах газа

- Не запускайте двигатель.
- Не включайте электрические выключатели.
- Не пользуйтесь телефоном поблизости.
- удалите людей с территории.
- Обратитесь к поставщику газа или в пожарную охрану.

# Конструктивные узлы и элементы управления

## Органы управления двигателем

Сравните буквы из сносок на Рис. 1, 2, 3 и 4 с органами управления двигателем в следующем списке:

- A. Идентификационное обозначение двигателя **Модель — Тип — Код**
- B. Свеча зажигания
- C. Воздушный фильтр (без топливного бака)
- D. Воздушный фильтр (с топливным баком)
- E. Щуп уровня масла
- F. Маслосаливное отверстие
- G. Масляный фильтр (если установлен)
- H. Пробка для слива масла
- I. Датчик давления масла
- J. Защита для предохранения пальцев
- K. Электростартер
- L. Ручной стартер (если установлен)
- M. Карбюратор — модели с карбюратором
- N. Глушитель
- O. Топливный насос
- P. Пусковой выключатель<sup>1</sup>
- Q. Механизм управления дросселем<sup>1</sup>
- R. Орган управления воздушной заслонкой<sup>1</sup>
- S. Топливный фильтр (если установлен)
- T. Топливный бак
- U. Отключение подачи топлива (если установлено)<sup>1</sup>
- V. Выключатель останова (если установлен)<sup>1</sup>
- W. Масляный радиатор (если установлен)
- X. Блок топливного насоса — Модели EFI
- Y. Электронный блок управления — Модели EFI
- Z. Форсунка — Модели EFI

<sup>1</sup> Некоторые двигатели и оборудование оснащены органами дистанционного управления. Сведения о расположении и работе органов дистанционного управления смотрите в руководстве по эксплуатации оборудования.

## Знаки управления двигателем и пояснения к ним

 Обороты двигателя — <b>ВЫСОКИЕ</b>	 Обороты двигателя — <b>НИЗКИЕ</b>
 Двигатель — <b>ОСТАНОВ</b>	 ВКЛ — <b>ВЫКЛ</b>
 Запуск двигателя Воздушная заслонка <b>ЗАКРЫТА</b>	 Запуск двигателя Воздушная заслонка <b>ОТКРЫТА</b>
 Крышка топливного бака Кран подачи топлива <b>ОТКРЫТ</b>	 Кран подачи топлива <b>ЗАКРЫТ</b>

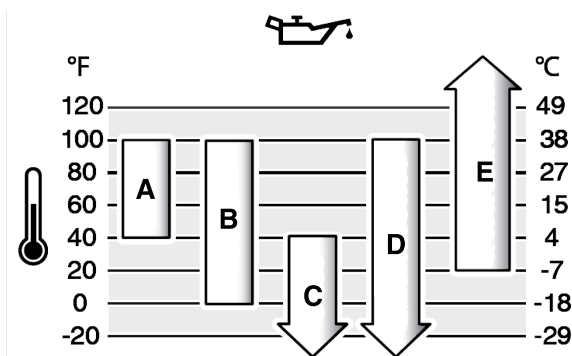
## Эксплуатация

### Рекомендации по использованию масла

Емкость масляной системы: См. раздел *Технические характеристики*.

Мы рекомендуем использовать сертифицированные масла компании Briggs & Stratton® для наилучшей работы двигателя. Могут использоваться другие высококачественные детергентные масла, если они имеют категорию SF, SG, SH, SJ или выше. Не используйте специальные присадки.

Воспользуйтесь таблицей для выбора лучшей вязкости для предполагаемого диапазона температур окружающей среды. Для большинства двигателей силового оборудования, используемого на открытом воздухе, хорошо подходит синтетическое масло 5W-30. Наиболее эффективную защиту оборудования, эксплуатируемого при высоких температурах, обеспечивает синтетическое масло Vanguard® 15W-50.



<b>A</b>	<b>SAE 30</b> - использование масла SAE 30 при температуре ниже 40 °F (4 °C) приведет к затрудненному запуску двигателя.
<b>B</b>	<b>10W-30</b> - использование масла 10W-30 при температуре выше 80 °F (27 °C) может привести к повышенному расходу масла. Выполняйте регулярную проверку уровня масла.
<b>C</b>	<b>5W-30</b>
<b>D</b>	<b>Синтетическое 5W-30</b>
<b>E</b>	<b>Синтетическое масло Vanguard® 15W-50</b>

## Проверьте уровень масла.

### Перед проверкой уровня или доливом масла

- Убедитесь, что двигатель установлен горизонтально.
- Очистите область заливки масла от загрязнений.
- Информацию о емкости масляной системы см. в разделе *Технические характеристики*.

### ПРИМЕЧАНИЕ

Данный двигатель поставляется компанией Briggs & Stratton без масла. Изготовители оборудования или дилеры могут залить масло в двигатель. Перед первым запуском двигателя убедитесь, что уровень масла находится на надлежащей отметке. Долейте масло в соответствии с инструкциями в данном руководстве. Гарантия не покрывает повреждения двигателя, вызванные его запуском без масла.

1. Извлеките масляный щуп (A, рисунок 5) и вытрите его тряпкой.
2. Установите и затяните масляный щуп (A, рисунок 5).
3. Извлеките масляный щуп и проверьте уровень масла. Убедитесь, что уровень масла находится на отметке в верхней части индикатора (B, рисунок 5) масляного щупа.
4. В случае низкого уровня масла медленно долейте масло в маслосаливную горловину двигателя (C, рисунок 5). Не следует добавлять чрезмерное количество масла.
5. Подождите одну минуту, затем снова проверьте уровень масла. Убедитесь, что уровень масла находится на соответствующей отметке индикатора.
6. Установите и затяните масляный щуп (A, рисунок 5).

## Система защиты от низкого уровня масла (если установлена)

Некоторые двигатели оснащены датчиком низкого уровня масла. В случае низкого уровня масла загорается лампа предупреждения или происходит остановка двигателя. Остановите двигатель и выполните следующие действия перед его повторным запуском.

- Убедитесь, что двигатель установлен горизонтально.
- Проверьте уровень масла. См. раздел *Проверка уровня масла*.
- В случае низкого уровня долейте соответствующее количество масла. Запустите двигатель и убедитесь, что лампа предупреждения (при наличии) не загорается.
- В случае нормального уровня масла не запускайте двигатель. Обратитесь к официальному сервисному дилеру компании Briggs & Stratton для устранения проблемы с маслом.

## Рекомендации по топливу

Топливо должно отвечать следующим требованиям:

- Чистый, свежий, неэтилированный бензин.



- Октановое число не менее 87 ОЧ/87 (91 ОЧИ). См. информацию ниже касательно использования на большой высоте над уровнем моря.
- Разрешается использовать бензин с содержанием этилового спирта до 10 % (бензоспирт).

#### ПРИМЕЧАНИЕ

Не используйте неразрешенные марки бензина, например E15 и E85. Не добавляйте масло в бензин и не переводите двигатель на альтернативные виды топлива. Использование топлива неразрешенных марок может вызвать повреждение компонентов двигателя, на которые не будут распространяться гарантийные обязательства.

Чтобы избежать образования смолистых отложений в топливной системе и коррозии, добавляйте в топливо не содержащий спирта стабилизатор топлива и этанол. См. раздел **Хранение**. Не все виды топлива одинаковы. Если вы испытываете проблемы при запуске или работе двигателя, попробуйте использовать топливо от другого поставщика или другой марки. Этот двигатель сертифицирован для работы на бензине. Система контроля выхлопа отработанных газов для карбюраторных двигателей — EM (модификации двигателя). Системы контроля выбросов для двигателей с электронным впрыском топлива — ECM (модуль управления двигателем), MFI (многоточечный впрыск топлива), TBI (впрыск топлива в корпусе дроссельных заслонок) и O2S (датчик кислорода) (если установлен).

#### Большая высота над уровнем моря

При работе на высоте более 5000 футов (1524 метров) над уровнем моря допускается использование бензина с октановым числом не менее 85 ОЧ/85 (89 ОЧИ).

Карбюраторные двигатели необходимо регулировать в случае эксплуатации на большой высоте. Эксплуатация без такой регулировки приведет к ухудшению работы, повышенному потреблению топлива и повышению токсичности выхлопа. За информацией о регулировке двигателя для работы на большой высоте над уровнем моря обратитесь к официальному сервисному дилеру Briggs & Stratton. Не рекомендуется эксплуатация двигателя, отрегулированного для большой высоты, на высоте ниже 2 500 футов (762 метров).

Для двигателей с впрыском топлива с электронным управлением (ЭВТ) высотная регулировка не требуется.

## Заправка топливом



#### ОСТОРОЖНО

Топливо и его пары легко воспламеняются и взрывоопасны. Воспламенение или взрыв может привести к тяжелым ожогам или смертельному исходу.

#### При доливе топлива

- Выключите двигатель. Перед снятием крышки топливозаправочной горловины, дайте двигателю остыть в течение, по меньшей мере, 2 (двух) минут.
- Заполняйте топливный бак на открытом воздухе или в хорошо вентилируемой зоне.
- Не заливайте в бак избыточное количество топлива. Чтобы учесть тепловое расширение топлива, не заполняйте топливный бак выше нижней части горловины.
- Храните топливо вдали от источников искр, открытого огня, зажженных горелок и других источников возгорания.
- Регулярно и часто проверяйте топливопроводы, топливный бак, крышку и патрубки на наличие трещин и протечек. Заменяйте поврежденные детали.
- Если топливо пролилось, дождитесь пока оно испарится, прежде чем заводить двигатель.

1. Очистите область вокруг крышки топливного бака от грязи и мусора. Снимите крышку топливного бака.
2. Залейте топливо в топливный бак (А, Рисунок 6). Учитывая тепловое расширение топлива, не заполняйте бак выше уровня нижней части горловины (В).
3. Установите крышку топливного бака.

## Запуск двигателя



#### ОСТОРОЖНО

Случайная искра в двигателе может привести к удару электрическим током, возгоранию или взрыву, а также к случайному запуску двигателя, что может стать причиной затягивания конечностей, травматической ампутации или рваной раны.

#### Перед проведением регулировки или ремонта:

- Отсоедините все провода свечей зажигания и удалите их от свечей.
- Отключите провод аккумуляторной батареи на отрицательной клемме (только на двигателях с электрическим запуском).
- Используйте только подходящие инструменты.

#### При проверке наличия искры:

- Используйте утвержденный прибор для тестирования свечи зажигания.
- Не проверяйте наличие искры с вынудной свечой зажигания.



#### ОСТОРОЖНО

Быстрое втягивание пускового троса (обратный ход) может притянуть руку к двигателю быстрее, чем вы успеете отпустить трос. Это может привести к переломам, ушибам или растяжениям.

- При запуске двигателя медленно потяните за пусковой трос, пока не почувствуете сопротивление, а затем быстро дерните, чтобы избежать обратного хода троса.
- Перед запуском двигателя отключите или снимите все внешнее оборудование и нагрузки на двигатель.
- Убедитесь, что элементы оборудования, которые непосредственно подсоединены к двигателю, например, среди прочего, ножи, крыльчатки, шкивы, звездочки и т. д. надежно прикреплены.



#### ОСТОРОЖНО

**ОПАСНОСТЬ ОТРАВЛЕНИЯ ЯДОВИТЫМИ ГАЗАМИ.** Выхлопные газы содержат окись углерода — ядовитый газ, который может убить за считанные минуты. Даже если запах выхлопных газов не чувствуется, опасно вдыхания угарного газа существует. Если во время эксплуатации данного изделия вы почувствовали тошноту или начали испытывать головокружение или слабость, выключите его и **НЕМЕДЛЕННО** выйдите на свежий воздух. Обратитесь к врачу. Возможно, вы отравились угарным газом.

- Угарный газ может накапливаться в закрытых пространствах. В целях сокращения риска накопления угарного газа, эксплуатируйте данное изделие ТОЛЬКО вне помещений и вдали от окон, дверей и вентиляционных отверстий.
- В соответствии с указаниями производителя в помещениях следует установить датчики оксида углерода (угарного газа), работающие от батарей или от сети с аварийным аккумуляторным источником питания. Аварийные датчики дыма не определяют наличие угарного газа.
- **ЗАПРЕЩАЕТСЯ** эксплуатировать данное изделие в домах, гаражах, подвалах, туннелях, сараях и других закрытых пространствах, даже при использовании вентиляторов или при открытых окнах и дверях для вентиляции. После начала эксплуатации данного изделия угарный газ может быстро накапливаться в таких пространствах и оставаться в них часами.
- **ВСЕГДА** размещайте данный продукт по ветру, чтобы выхлопные газы двигателя уносились в сторону от зон пребывания людей.

#### ПРИМЕЧАНИЕ

Данный двигатель поставляется компанией Briggs & Stratton без масла. Изготовители оборудования или дилеры могут залить масло в двигатель. Перед первым запуском двигателя убедитесь, что уровень масла находится на надлежащей отметке. Долейте масло в соответствии с инструкциями в данном руководстве. Гарантия не покрывает повреждения двигателя, вызванные его запуском без масла.

**ПРИМЕЧАНИЕ:** Ваше оборудование может быть оснащено органами дистанционного управления. Сведения о расположении и работе органов дистанционного управления представлены в руководстве по эксплуатации оборудования.

#### Типы систем запуска

Перед запуском двигателя необходимо выяснить тип системы запуска, используемой с вашим двигателем. На вашем двигателе установлена система одного из этих типов.

- **Система впрыска топлива с электронным управлением (Система ЭВТ)** Система электронного впрыска топлива (ЭВТ) не оснащена воздушной заслонкой или праймером.
- **Электронная система управления подачей топлива:** Система электронного управления подачей топлива оснащена электронным блоком управления, который отслеживает состояние двигателя и

температуру. Она не имеет воздушной заслонки с ручным управлением или праймера.

- **Система с воздушной заслонкой.** В этом типе системы установлена заслонка, предназначенная для использования при низких температурах. Некоторые модели оснащены отдельным рычагом управления воздушной заслонкой, в то время как другие имеют комбинированный рычаг управления воздушной заслонкой и дросселем. Данный тип не оснащен праймером.

## Система электронного впрыска топлива (ЭВТ)

1. Проверьте моторное масло. См. раздел *Проверка уровня масла*.
2. Убедитесь, что рычаги управления приводом оборудования, если они установлены, отключены.
3. Поверните кран подачи топлива (А, Рисунок 7), если он установлен, в положение ОТКРЫТ.
4. Переместите рычажок выключателя останова (F, Рисунок 7, 8), если имеется, в положение ВКЛ.
5. Переместите рычаг дроссельного регулирования (В, рисунок 8), при наличии, в положение БЫСТРО. Управляйте двигателем в положении БЫСТРО.
6. **Ручной стартер, если снабжен выключателем с ключом:** Поверните ключ выключателя (D, Рисунок 7, 8) в положение ВКЛ.
7. **Ручной запуск, если он предусмотрен.** Крепко возьмитесь за рукоятку пускового троса (Е, Рисунок 7, 8). Медленно потяните за рукоятку троса стартера, пока не почувствуете сопротивление, и затем резко дерните.



### ОСТОРОЖНО

Быстрое втягивание пускового троса (обратный ход) может притянуть руку к двигателю до того, как вы успеете отпустить трос. Это может привести к переломам, ушибам и вывихам. При запуске двигателя медленно потяните за пусковой трос, пока не почувствуете сопротивление, а затем быстро дерните, чтобы избежать обратного хода троса.

8. **Запуск при наличии стартера.** Поверните выключатель электростарта (D, Рисунок 7, 8) в положение ВКЛ или ПУСК.

**ПРИМЕЧАНИЕ** Чтобы продлить срок службы стартера, используйте короткие циклы запуска (максимум пять секунд). Подождите одну минуту между циклами запуска.

Если двигатель не запускается после 3-4 попыток, обратитесь к местному дилеру, перейдите по ссылке [vanguardpower.com](http://vanguardpower.com) или позвоните по номеру 1-800-999-9333.

## Электронная система управления подачей топлива

1. Проверьте моторное масло. См. раздел *Проверка уровня масла*.
2. Убедитесь, что рычаги управления приводом оборудования, если они установлены, отключены.
3. Поверните кран подачи топлива (А, Рисунок 7), если он установлен, в положение ОТКРЫТ.
4. Переместите рычажок выключателя останова (F, Рисунок 7, 8), если имеется, в положение ВКЛ.
5. Переместите рычаг дроссельного регулирования (В, рисунок 8), при наличии, в положение БЫСТРО. Управляйте двигателем в положении БЫСТРО.
6. **Ручной стартер, если снабжен выключателем с ключом:** Поверните ключ выключателя (D, Рисунок 7, 8) в положение ВКЛ.
7. **Ручной запуск, если он предусмотрен.** Крепко возьмитесь за рукоятку пускового троса (Е, Рисунок 7, 8). Медленно потяните за рукоятку троса стартера, пока не почувствуете сопротивление, и затем резко дерните.



### ОСТОРОЖНО

Быстрое втягивание пускового троса (обратный ход) может притянуть руку к двигателю до того, как вы успеете отпустить трос. Это может привести к переломам, ушибам и вывихам. При запуске двигателя медленно потяните за пусковой трос, пока не почувствуете сопротивление, а затем быстро дерните, чтобы избежать обратного хода троса.

8. **Запуск при наличии стартера.** Поверните выключатель электростарта (D, Рисунок 7, 8) в положение ВКЛ или ПУСК.

**ПРИМЕЧАНИЕ** Чтобы продлить срок службы стартера, используйте короткие циклы запуска (максимум пять секунд). Подождите одну минуту между циклами запуска.

Если двигатель не запускается после 3-4 попыток, обратитесь к местному дилеру, перейдите по ссылке [vanguardpower.com](http://vanguardpower.com) или позвоните по номеру 1-800-999-9333.

## Система с воздушной заслонкой

1. Проверьте моторное масло. См. раздел *Проверка и долие масла*.
2. Убедитесь, что рычаги управления приводом оборудования, если они установлены, отключены.
3. Поверните кран подачи топлива (А, Рисунок 7), если он установлен, в положение ОТКРЫТ.
4. Переместите рычажок выключателя останова (F, Рисунок 7, 8), если имеется, в положение ВКЛ.
5. Переместите рычаг дроссельного регулирования (В, Рисунок 7), при наличии, в положение БЫСТРО. Управляйте двигателем в положении БЫСТРО.
6. Переместите рычаг управления воздушной заслонкой (С, Рисунок 9, 10) в положение ЗАКРЫТ.

**ПРИМЕЧАНИЕ:** При повторном запуске еще теплого двигателя обычно нет необходимости в воздушной заслонке.

7. **Ручной стартер, если снабжен выключателем с ключом:** Поверните ключ выключателя (D, Рисунок 7, 8) в положение ВКЛ.
8. **Ручной запуск, если он предусмотрен.** Крепко возьмитесь за рукоятку пускового троса (Е, Рисунок 7, 8). Медленно потяните за рукоятку троса стартера (Е), пока не почувствуете сопротивление, и затем резко дерните.



### ОСТОРОЖНО

Быстрое втягивание пускового троса (обратный ход) может притянуть руку к двигателю до того, как вы успеете отпустить трос. Это может привести к переломам, ушибам и вывихам. При запуске двигателя медленно потяните за пусковой трос, пока не почувствуете сопротивление, а затем быстро дерните, чтобы избежать обратного хода троса.

9. **Электрический стартер, если установлен:** Поверните ключ переключателя (D, Рисунок 7, 8) в положение ВКЛ или ПУСК.

### ПРИМЕЧАНИЕ

Чтобы продлить срок службы стартера, используйте короткие циклы запуска (максимум пять секунд). Подождите одну минуту между циклами запуска.

10. Когда двигатель разогреется, переместите рычаг управления воздушной заслонкой (С, Рисунок 9, 10) в положение ОТКРЫТ.

**ПРИМЕЧАНИЕ:** Если двигатель не запускается после 2-3 попыток, обратитесь к местному дилеру, перейдя по ссылке: [vanguardpower.com](http://vanguardpower.com) или позвонив по номеру: 1-800-999-9333.

## Остановка двигателя



### ОСТОРОЖНО

Топливо и его пары легко воспламеняются и взрывоопасны. Воспламенение или взрыв может привести к тяжелым ожогам или смертельному исходу.

- Не перекрывайте заслонку карбюратора (при наличии), чтобы остановить двигатель.
1. **Выключатель останова, если имеется.** Переместите выключатель останова (F, Рисунок 11) в положение ВЫКЛ.
  2. **Выключатель с ключом, если имеется:** При нахождении рычага дроссельного регулирования, если имеется, в положении МЕДЛЕННО, поверните ключ выключателя (D, Рисунок 11) в положение ВЫКЛ. Извлеките ключ и храните его в безопасном, не доступном для детей месте.
  3. После останова двигателя поверните кран подачи топлива (А, Рисунок 11), если установлен, в положение ЗАКРЫТ.

# Техническое обслуживание

## Информация по техническому обслуживанию



### ОСТОРОЖНО

Топливо и его пары легко воспламеняются и взрывоопасны. Воспламенение или взрыв может привести к тяжелым ожогам или смертельному исходу.

Если при выполнении техобслуживания двигатель нужно наклонить, убедитесь, что топливный бак, если он установлен на двигателе, опорожнен, а сторона двигателя со свечей зажигания обращена вверх. Если топливный бак не опорожнен, топливо может протечь и вызвать воспламенение или взрыв. В случае наклона двигателя в другом направлении, в дальнейшем могут возникнуть проблемы с его запуском из-за загрязнения воздушного фильтра и/или свечи зажигания маслом или топливом.



### ОСТОРОЖНО

Случайная искра в двигателе может привести к удару электрическим током, возгоранию или взрыву, а также к случайному запуску двигателя, что может стать причиной затягивания конечностей, травматической ампутации или рваной раны.

#### Перед проведением регулировки или ремонта:

- Отсоедините все провода свечей зажигания и удалите их от свечей.
- Отключите провод аккумуляторной батареи на отрицательной клемме (только на двигателях с электрическим запуском).
- Используйте только подходящие инструменты.

#### При проверке наличия искры:

- Используйте утвержденный прибор для тестирования свечи зажигания.
- Не проверяйте наличие искры с вынутой свечой зажигания.



### ОСТОРОЖНО

Запасные части должны иметь такую же конструкцию и устанавливаться в том же положении, что и оригинальные детали. Использование других запасных частей может привести к повреждению оборудования или травмам.

#### ПРИМЕЧАНИЕ

Для надлежащей работы данного двигателя все компоненты, используемые в его конструкции, должны оставаться на своих местах.

Обращайтесь к официальному сервисному дилеру компании Briggs & Stratton для выполнения всех работ по техническому обслуживанию двигателя и его компонентов.

## Обслуживание элементов контроля выбросов

По вопросам технического обслуживания, замены или ремонта устройств или систем для снижения токсичности выхлопа обратитесь в сертифицированную мастерскую по ремонту внедорожных двигателей или к профессиональному специалисту по обслуживанию. Однако для получения «бесплатного» обслуживания систем контроля выхлопа такие работы должны проводиться в сервисном центре официального дилера. См. «Заявления по контролю выхлопа».

## График технического обслуживания

Интервалы составляют 8 часов или ежедневно
<ul style="list-style-type: none"><li>• Проверьте уровень масла в двигателе.</li><li>• Очистка зоны вокруг глушителя и ручек управления.</li></ul>
Интервалы составляют 100 часов или раз в год
<ul style="list-style-type: none"><li>• Снова установите свечи на место.</li><li>• Замена моторного масла.</li><li>• Замена масляного фильтра (если установлен).</li><li>• Производите обслуживание воздушного фильтра<sup>1</sup>.</li><li>• Очистите фильтр предварительной очистки (если установлен)<sup>1</sup>.</li><li>• Обслуживание выхлопной системы.</li></ul>
Интервалы составляют 250 часов или раз в год
<ul style="list-style-type: none"><li>• Проверьте зазор предохранительного клапана. Отрегулируйте его при необходимости.</li></ul>
Интервалы составляют 400 часов или раз в год
<ul style="list-style-type: none"><li>• Замените воздушный фильтр.</li><li>• Замените топливный фильтр.</li></ul>

- Обслуживание системы воздушного охлаждения<sup>1</sup>.
- Очистка ребер масляного радиатора<sup>1</sup>.

<sup>1</sup> Проводите более частую очистку в условиях повышенной запыленности или при наличии большого количества частиц в воздухе.

## Система электронного впрыска топлива (ЭВТ)

Система ЭВТ контролирует температуру двигателя, частоту вращения двигателя и напряжение аккумуляторной батареи для запуска и прогрева двигателя. В этой системе отсутствуют какие-либо регулировки. При возникновении проблем при запуске и работе двигателя, обращайтесь к уполномоченному сервисному дилеру компании Briggs & Stratton.

**ПРИМЕЧАНИЕ** Убедитесь в выполнении нижеуказанных действий, в противном случае может повредиться система ЭВТ.

- Никогда НЕ запускайте двигатель, если клеммы проводов аккумулятора не затянуты.
- Поверните ключ в положение в положение ВЫКЛ. перед отсоединением, снятием и/или установкой аккумулятора.
- Никогда НЕ используйте зарядное устройство аккумуляторов для запуска двигателя.
- НЕ отсоединяйте кабели аккумулятора во время работы двигателя.
- При подсоединении проводов к аккумулятору первым подсоединяйте положительный (+), а затем отрицательный (-) провод.
- Во время зарядки аккумулятора поверните ключ зажигания в положение ВЫКЛ. и отсоедините отрицательный (-) провод от аккумулятора.
- НЕ допускайте попадания воды непосредственно на модуль электронного управления.

## Электронная система управления подачей топлива

Электронная система управления подачей топлива контролирует температуру двигателя, скорость двигателя и напряжение аккумулятора для управления воздушной заслонкой во время пуска и прогрева двигателя. В этой системе отсутствуют какие-либо регулировки. При возникновении проблем при запуске и работе двигателя, обращайтесь к официальному сервисному дилеру компании Briggs & Stratton.

**ПРИМЕЧАНИЕ** Строго выполняйте перечисленные действия, в противном случае электронная система управления подачей топлива может быть повреждена.

- Никогда НЕ запускайте двигатель, если клеммы проводов аккумулятора не затянуты.
- Перед подключением кабелей для запуска двигателя от внешнего источника, а также перед отсоединением или подсоединением аккумулятора поверните ключ зажигания в положение ВЫКЛ. Во время зарядки аккумулятора ключ зажигания должен находиться в положении ВЫКЛ.
- При отсоединении аккумуляторных кабелей от аккумулятора вначале отсоединяйте отрицательный (-), а затем положительный (+) кабель. При подсоединении аккумуляторных кабелей к аккумулятору вначале подсоединяйте положительный (+), а затем отрицательный (-) кабель.
- Никогда НЕ используйте зарядное устройство аккумуляторов для запуска двигателя.
- НЕ отсоединяйте кабели аккумулятора во время работы двигателя.
- НЕ допускайте попадания воды непосредственно на электронный блок управления.

## Карбюратор и число оборотов двигателя

Не изменяйте настройки карбюратора, пружины регулятора, тяг и иных деталей, чтобы изменить число оборотов двигателя. В случае необходимости какой-либо регулировки обратитесь к официальному сервисному дилеру компании Briggs & Stratton.

#### ПРИМЕЧАНИЕ

Производитель оборудования устанавливает максимальное число оборотов двигателя, который установлен на оборудовании. Запрещается превышать эту скорость. Если вы не знаете, каково максимальное число оборотов для данного оборудования или какое число оборотов двигателя было установлено на заводе-изготовителе, обратитесь за поддержкой к официальному сервисному дилеру компании Briggs & Stratton. Для безопасной и надлежащей работы данного оборудования регулировка числа оборотов двигателя должна выполняться только квалифицированным техником по обслуживанию.

## Обслуживание свечи зажигания

Проверьте зазор свечи зажигания (А, рисунок 12) с помощью проволочного калибра (В). При необходимости, отрегулируйте зазор свечи зажигания. Установите и затяните свечу зажигания до правильного момента затяжки.

Значения зазора и момента затяжки указаны в разделе **Технические характеристики**.

## Обслуживание выхлопной системы



**ОСТОРОЖНО**  
Двигатель и глушитель становятся очень горячими во время эксплуатации. Не прикасайтесь к горячему двигателю во избежание получения ожогов.

Воспламеняемый мусор, например, листья, трава, сухая поросль и т. д. могут служить источником пожара.

- Прежде чем прикасаться к двигателю или глушителю, заглушите двигатель и подождите 2 (две) минуты. Убедитесь, что к двигателю и глушителю можно безопасно прикасаться.
- Удалите мусор с глушителя и двигателя.

Использование или эксплуатация двигателя на территории, покрытой лесом, кустарниками или травой, без оснащения системы выхлопных газов искрогасителем и поддержки его в рабочем состоянии, является нарушением раздела 4442 кодекса Public Resource Code штата Калифорния. Другие штаты или федеральные юрисдикции могут иметь аналогичные законы, см. Федеральный регламент 36 CFR Часть 261.52. Для приобретения искрогасителя, рассчитанного на выхлопную систему, которая установлена на двигателе, обратитесь к производителю оригинального оборудования, розничному продавцу или дилеру.

Удалите мусор, скапливающийся в зоне глушителя и цилиндра. Осмотрите глушитель на предмет трещин, коррозии или других повреждений. Снимите дефлектор искроуловителя, если он установлен, и осмотрите на наличие повреждений или скопившегося нагара. В случае обнаружения повреждений, установите запасные детали, прежде чем продолжить эксплуатацию.



**ОСТОРОЖНО**  
Запасные части должны иметь такую же конструкцию и устанавливаться в том же положении, что и оригинальные детали. Использование других запасных частей может привести к повреждению оборудования или травмам.

## Замените моторное масло



**ОСТОРОЖНО**  
Топливо и его пары легко воспламеняются и взрывоопасны. Воспламенение или взрыв может привести к тяжелым ожогам или смертельному исходу.

Двигатель и глушитель становятся очень горячими во время эксплуатации. Не прикасайтесь к горячему двигателю во избежание получения ожогов.

- Если вы сливаете масло через верхний маслозаливной патрубков, топливный бак должен быть пустым. Если топливный бак не опорожнен, топливо может протечь и вызвать воспламенение или взрыв.
- Прежде чем прикасаться к двигателю или глушителю, заглушите двигатель и подождите 2 (две) минуты. Убедитесь, что к двигателю и глушителю можно безопасно прикасаться.

Использованное масло относится к опасным видам отходов и должно быть утилизировано должным образом. Его не следует утилизировать как обычные бытовые отходы. По вопросам безопасной утилизации и повторной переработки обращайтесь в местные органы, сервисный центр или к дилеру.

## Слив масла

1. Когда двигатель ВЫКЛ., но еще не остыл, отсоедините провод(-а) свечи зажигания (D, рисунок 13) и отведите его/их от свечи(-ей) (E).
2. Извлеките масляный щуп (A, Рисунки 14, 15).
3. Выкрутите маслосливную пробку (F, Рисунки 16 17). Слейте масло в подходящую для этого емкость.
4. Установите и затяните маслосливную пробку (F, Рисунки 16 17).

## Замените масляный фильтр (если установлен)

1. Слейте масло из двигателя. См. раздел **Слив масла**.
2. Снимите масляный фильтр (G, Рисунки 18, 19) и утилизируйте его должным образом.
3. Перед установкой нового масляного фильтра слегка смажьте уплотнительную прокладку фильтра чистым маслом.
4. Установите масляный фильтр вручную таким образом, чтобы уплотняющая прокладка соприкасалась с адаптером масляного фильтра, а затем поверните фильтр на 1/2 – 3/4 оборота.
5. Добавьте масло. См. раздел **Долив масла**.

6. Запустите двигатель и дайте ему поработать. Когда двигатель прогреется, проверьте наличие протечек масла.
7. Выключите двигатель. Убедитесь, что уровень масла находится на отметке в верхней части индикатора масляного щупа. См. раздел **Долив масла**.

## Долив масла

- Убедитесь, что двигатель установлен горизонтально.
  - Очистите область заливки масла от загрязнений.
  - Информацию о емкости масляной системы см. в разделе **Технические характеристики**.
1. Извлеките масляный щуп (A, Рисунки 20, 21). При помощи чистой ткани удалите масло с масляного щупа.
  2. Медленно залейте масло в маслозаливное отверстие двигателя (C, Рисунки 20, 21) **Не переполняйте**. После добавления масла подождите одну минуту, а затем снова проверьте уровень масла.
  3. Установите и затяните масляный щуп (A, Рисунки 20, 21).
  4. Извлеките масляный щуп и проверьте уровень масла. Правильный уровень масла обозначен в верхней части индикатора (B, Рисунки 20, 21) на масляном щупе.
  5. Установите и затяните масляный щуп (A, Рисунки 20, 21).
  6. Подсоедините провод(-а) свечи зажигания (D, Рисунок 20) к свече(-ам) зажигания.

## Техническое обслуживание воздушного фильтра



**ОСТОРОЖНО**  
Топливо и его пары легко воспламеняются и взрывоопасны. Воспламенение или взрыв может привести к тяжелым ожогам или смертельному исходу.

- Никогда не запускайте и не эксплуатируйте двигатель со снятой системой очистки воздуха или воздушным фильтром (при их наличии).

### ПРИМЕЧАНИЕ

Не используйте сжатый воздух или растворители для чистки фильтра. Сжатый воздух может повредить фильтр, а растворители — привести к его разложению.

Требования к обслуживанию представлены в разделе **График технического обслуживания**.

Некоторые модели также оборудованы фильтром предварительной очистки, который можно использовать повторно после очистки. Сравните иллюстрации в настоящем руководстве с типом, установленным на вашем двигателе.

1. **Модели без топливного бака:** Откройте крепежный элемент(-ы) (A, рисунок 22) и снимите крышку (B).
2. **Модели с топливным баком:** Удалите крепежный элемент(ы) (C, Рисунок 23) и крышку (D).
3. Открутите гайку (D, Рисунки 22, 23) и снимите стопорную шайбу (E).
4. Извлеките воздушный фильтр (F, Рисунки 22, 23).
5. Извлеките фильтр предварительной очистки (G, Рисунки 22, 23), если имеется, из воздушного фильтра (F).
6. Чтобы высвободить попавший в него мусор, слегка постучите фильтром (F, Рисунки 22, 23) по твердой поверхности. Если воздушный фильтр загрязнен, замените его новым фильтром.
7. Очистите фильтр предварительной очистки (G, Рисунки 22, 23), при его наличии, в воде с жидким моющим средством. Дайте фильтру предварительной очистки полностью просохнуть на воздухе. **ЗАПРЕЩЕНО** смазывать фильтр предварительной очистки.
8. Установите сухой фильтр предварительной очистки (G, Рисунки 22, 23), если имеется, на воздушном фильтре (F).
9. Установите воздушный фильтр (F, Рисунки 22, 23) и прикрепите с помощью стопорной шайбы (E) и гайки (D).
10. Установите крышку (B, Рисунки 22, 23).

## Обслуживание топливной системы



**ОСТОРОЖНО**  
Топливо и его пары легко воспламеняются и взрывоопасны. Воспламенение или взрыв может привести к тяжелым ожогам или смертельному исходу.

- Храните топливо вдали от источников искр, открытого огня, зажженных горелок и других источников возгорания.
- Регулярно и часто проверяйте топливопроводы, топливный бак, крышку и патрубки на наличие трещин и протечек. Заменяйте поврежденные детали.
- Если топливо пролилось, дождитесь пока оно испарится, прежде чем заводить двигатель.

## Топливный фильтр (если установлен)

1. Перед заменой топливного фильтра (А, Рисунок 24), слейте топливо из топливного бака или закройте кран подачи топлива. Если топливо не слито из топливного бака, оно может пролиться, что может привести к пожару или взрыву.
2. Сожмите выступы (В, Рисунок 24) на зажимах (С) плоскогубцами. Сдвиньте зажимы в сторону от топливного фильтра (А).
3. Скрутите и стяните топливопроводы (D, Рисунок 24) с топливного фильтра.
4. Проверьте топливопроводы (D, Рисунок 24) на предмет трещин или утечек. При необходимости замените топливопроводы.
5. Замените топливный фильтр (А, Рисунок 24).
6. Прикрепите топливопроводы (D, Рисунок 24) с зажимами (С).

## Обслуживание системы охлаждения



**ОСТОРОЖНО**  
Двигатель и глушитель становятся очень горячими во время эксплуатации. Не прикасайтесь к горячему двигателю во избежание получения ожогов.

Воспламеняемый мусор, например листья, трава, сухая поросль и т. д. могут загореться.

- Прежде чем прикасаться к двигателю или глушителю, заглушите двигатель и подождите 2 (две) минуты. Убедитесь, что к двигателю и глушителю можно безопасно прикасаться.
- Удалите мусор с глушителя и двигателя.

### ПРИМЕЧАНИЕ

Не допускается использование воды для очистки двигателя. Вода может попасть в топливную систему и вызвать ее загрязнение. Используйте щетку или сухую тряпку для очистки двигателя.

Охлаждение данного двигателя осуществляется воздухом. Грязь или сор могут препятствовать потоку воздуха и стать причиной перегрева двигателя, что приведет к ухудшению рабочих характеристик и сокращению срока службы двигателя.

1. При помощи щетки или сухой тряпки удаляйте мусор из зоны решетки воздухозаборного отверстия.
2. Поддерживайте все тяги, пружины и органы управления в чистоте.
3. Очищайте зону вокруг глушителя (если установлен) от воспламеняемого мусора.
4. Убедитесь, что ребра масляного радиатора поддерживаются в чистоте.

Спустя некоторое время мусор может скопиться в ребрах радиатора охлаждения цилиндра и стать причиной перегрева двигателя. Его нельзя удалить без частичной разборки двигателя. Поручите официальному сервисному дилеру компании Briggs & Stratton выполнить осмотр и очистку системы воздушного охлаждения, как рекомендовано в разделе *График технического обслуживания*.

## Хранение

### Топливная система

См. рисунок 25.



**ОСТОРОЖНО**  
Топливо и его пары легко воспламеняются и взрывоопасны. Воспламенение или взрыв может привести к тяжелым ожогам или смертельному исходу.

### Хранение топлива

- Храните топливо и оборудование вдали от котлов, печей, водонагревателей и прочих приборов, в которых используются горелки, запальники или иные источники воспламенения, поскольку это может привести к воспламенению паров топлива.

Храните двигатель в ровном горизонтальном положении (в нормальном рабочем положении). Залейте топливо в топливный бак (А, Рисунок 25). С учетом теплового расширения топлива не заполняйте топливный бак выше нижней части горловины (В).

Топливо может утратить свежесть при нахождении в контейнере для хранения более 30 дней. Рекомендуется добавление в контейнер не содержащего спирт стабилизатора топлива и этанола для предотвращения разложения топлива и сохранения его свежести.

При заливке в топливный контейнер добавляйте не содержащий спирт стабилизатор топлива согласно инструкциям изготовителя. Если в топливо в двигателе не добавлялся стабилизатор топлива, его необходимо слить в надлежащий контейнер. Дайте двигателю поработать, пока не закончится топливо.

## Моторное масло

Смените моторное масло, пока двигатель еще теплый. См. раздел *Проверка уровня и долива масла*.

## Устранение неисправностей

### Поддержка

Для получения технической поддержки обратитесь к местному дилеру, перейдя по ссылке: [BRIGGSandSTRATTON.COM](http://BRIGGSandSTRATTON.COM) или позвонив по номеру: **1-800-444-7774** (в США).

## Технические характеристики

### Технические характеристики и запасные части

МОДЕЛИ: 290000, 300000	
Рабочий объем двигателя	29.23 куб. дюйм (479 куб. см)
Гильза цилиндра	2.677 дюйм (68 мм)
Ход поршня	2.598 дюйм (66 мм)
Количество масла	46 - 48 унций (1,36 - 1,42 л)
Зазор свечи зажигания	.030 дюйм (.76 мм)
Момент затяжки свечей зажигания	180 фунт-дюйм (20 Нм)
Воздушный зазор катушки - Модели карбюраторов	.008 - .012 дюйм (.20 - .30 мм)
Зазор впускного клапана	.004 - .006 дюйм (.10 - .15 мм)
Зазор выпускного клапана	.004 - .006 дюйм (.10 - .15 мм)

МОДЕЛЬ: 350000	
Рабочий объем двигателя	34.78 куб. дюйм (570 куб. см)
Гильза цилиндра	2.835 дюйм (72 мм)
Ход поршня	2.756 дюйм (70 мм)
Количество масла	46 - 48 унций (1,36 - 1,42 л)
Зазор свечи зажигания	.030 дюйм (.76 мм)
Момент затяжки свечей зажигания	180 фунт-дюйм (20 Нм)
Воздушный зазор катушки - Модели карбюраторов	.008 - .012 дюйм (.20 - .30 мм)
Зазор впускного клапана	.004 - .006 дюйм (.10 - .15 мм)
Зазор выпускного клапана	.004 - .006 дюйм (.10 - .15 мм)

МОДЕЛЬ: 380000	
Рабочий объем двигателя	38.26 куб. дюйм (627 куб. см)
Гильза цилиндра	2.972 дюйм (75,5 мм)
Ход поршня	2.756 дюйм (70 мм)
Количество масла	46 - 48 унций (1,36 - 1,42 л)
Зазор свечи зажигания	.030 дюйм (.76 мм)
Момент затяжки свечей зажигания	180 фунт-дюйм (20 Нм)
Воздушный зазор якоря — Модели с карбюратором	.008 - .012 дюйм (.20 - .30 мм)
Зазор впускного клапана	.004 - .006 дюйм (.10 - .15 мм)
Зазор выпускного клапана	.004 - .006 дюйм (.10 - .15 мм)

Мощность двигателя будет снижаться на 3,5% на каждые 1000 футов (300 метров) выше уровня моря и на 1% на каждые 10°F (5,6°C) выше 77°F (25°C). Двигатель будет работать удовлетворительно под углом до 15°. Смотрите безопасные допуски для работы на склонах в руководстве оператора оборудования.

МОДЕЛИ: 290000, 300000, 350000, 380000	
Запасная часть	Номер детали
Воздушный фильтр (модели с топливным баком, Рисунок 23)	383857
Воздушный фильтр (за исключением модели 380000, Рисунок 22)	394018
Воздушный фильтр (модель 380000, 22)	692519
Воздушный фильтр, фильтр предварительной очистки (модели с топливным баком, Рисунок 23)	271794



МОДЕЛИ: 290000, 300000, 350000, 380000	
Воздушный фильтр, фильтр предварительной очистки (за исключением модели 380000, Рисунок 22)	272490
Воздушный фильтр, фильтр предварительной очистки (модель 380000, Рисунок 22)	692520
Масло — SAE 30	100028
Масляный фильтр	842921
Топливный фильтр (модели с топливным баком)	808116
Топливный фильтр (модели с топливным насосом)	845125
Топливный фильтр (модели без топливного насоса)	298090
Резисторная свеча зажигания	491055S
Долговечная свеча зажигания с платиновым центральным электродом	696202, 5066K
Ключ для свечи зажигания	19576S
Индикатор работы свечи	84003327

Мы рекомендуем обращаться к официальному дилеру компании Briggs & Stratton для выполнения всех работ по техническому обслуживанию двигателя и его компонентов.

## Номинальная мощность

Полная мощность отдельных моделей бензиновых двигателей указывается согласно стандарту SAE (Society of Automotive Engineers) J1940 (Small Engine Power & Torque Rating Procedure) и оценивается в соответствии со стандартом SAE J1995. Для двигателей с указанными на них оборотами указано значение крутящего момента при 2600 об/мин, для всех остальных двигателей – при 3060 об/мин; значение мощности в лошадиных силах измерялось при 3600 об/мин. Графики полной мощности можно посмотреть на веб-сайте [www.BRIGGSandSTRATTON.COM](http://www.BRIGGSandSTRATTON.COM). Значения мощности нетто указаны при установленных глушителе и воздушном фильтре, в то время как значения максимальной мощности указаны без этих принадлежностей. Фактическая валовая мощность двигателя будет ниже; она зависит, помимо прочего, от условий эксплуатации и конкретного экземпляра двигателя. Учитывая широкий диапазон продукции, которая оснащается двигателями, бензиновый двигатель может не развивать полную мощность по стандарту при эксплуатации на отдельном силовом оборудовании. Эта разница вызвана множеством факторов, включая, среди прочего, используемые принадлежности (очиститель воздуха, выхлопная система, зарядка, охлаждение, карбюратор, топливный насос и т. д.), ограничения в применении, условия эксплуатации (температура, влажность, высота) и разницу между отдельными экземплярами двигателей. В связи с производственными и техническими ограничениями Компания Briggs & Stratton может заменять данный двигатель двигателем с более высокой номинальной мощностью.

## Гарантия

### Гарантия на двигатель компании Briggs & Stratton®

Вступает в силу с августа 2022 года

#### Ограничение объема гарантийных обязательств

Компания Briggs & Stratton обязуется в течение гарантийного периода, определенного ниже, по своему усмотрению производить бесплатный ремонт или замену любых деталей, имеющих дефекты материала и/или производственные дефекты, новыми, восстановленными или отремонтированными деталями. Транспортные расходы, связанные с доставкой изделий, отправляемых для ремонта или замены по настоящей гарантии, должен нести покупатель. Гарантия действительна для сроков и условий, указанных ниже. Для гарантийного обслуживания найдите ближайшего официального сервисного дилера с помощью дилер-локатора на [BRIGGSandSTRATTON.COM](http://BRIGGSandSTRATTON.COM). Покупателю необходимо связаться с уполномоченным сервисным дилером компании Briggs & Stratton и предоставить оборудование для осмотра и проверки.

**Прочих прямых гарантий не существует. Подразумеваемые гарантии, включая гарантии товарного качества и соответствия назначению, ограничены сроком в один год со дня покупки, или в той степени, в которой это разрешено законом. Все прочие подразумеваемые гарантии исключаются. Ответственность за случайный или косвенный ущерб исключается в той степени, в которой это предусмотрено законодательством.** В некоторых штатах или странах запрещено ограничивать период действия подразумеваемой гарантии, а в некоторых штатах или странах запрещено исключать или ограничивать ответственность за случайный или косвенный ущерб. Таким образом, приведенные выше исключения и ограничения, возможно, не будут распространяться на вас. Настоящая гарантия предоставляет вам определенные юридические права, также у вас могут быть другие права, которые могут отличаться в различных штатах и странах.

### Стандартные гарантийные условия<sup>1, 2</sup>

Vanguard®; коммерческая серия

### Стандартные гарантийные условия<sup>1, 2</sup>

Личное использование - 36 месяцев

Коммерческое использование - 36 месяцев

#### XR Series

Личное использование - 24 месяца

Коммерческое использование - 24 месяца

#### Все двигатели, оснащенные чугунной гильзой Dura-Bore™

Личное использование - 24 месяца

Коммерческое использование - 12 месяцев

#### Все другие двигатели

Личное использование - 24 месяца

Коммерческое использование - 3 месяца

<sup>1</sup> Это наши стандартные условия гарантии, однако иногда может быть доступно дополнительное гарантийное покрытие, которое не было определено на момент публикации. Для получения информации по текущим условиям гарантии для вашего двигателя посетите веб-сайт [BRIGGSandSTRATTON.com](http://BRIGGSandSTRATTON.com) или обратитесь к своему официальному сервисному дилеру компании Briggs & Stratton.

<sup>2</sup> Гарантия не распространяется на двигатели на оборудовании, используемом в качестве первичного источника энергии в месте эксплуатации; резервные генераторы, используемые для коммерческих целей, для технологического транспорта, передвижающегося со скоростью более 40 км/ч; двигатели, которые используются в соревновательных целях или на коммерческих или арендуемых треках.

\* В Австралии — Наша продукция обеспечивается гарантиями, которые не могут быть исключены согласно закону Австралии о защите прав потребителей. Вы имеете право на замену изделия или на возврат уплаченной за него суммы в случае серьезной неисправности, а также на компенсацию за прочие обоснованно прогнозируемые потери и убытки. Кроме того, вы имеете право на ремонт изделий или их замену, если их качество является неприемлемым, а неисправность незначительной. Для получения гарантийного обслуживания найдите ближайшего официального сервисного дилера с помощью дилер-локатора на веб-сайте: [BRIGGSandSTRATTON.COM](http://BRIGGSandSTRATTON.COM), позвоните по телефону: 1300 274 447, свяжитесь с нами по электронной почте: [salesenquires@briggsandstratton.com.au](mailto:salesenquires@briggsandstratton.com.au) или отправьте письмо по адресу: Briggs & Stratton Australia Pty Ltd, 1 Moorebank Avenue, Moorebank, NSW, Australia, 2170.

Гарантийный период начинается с даты покупки оборудования первым розничным покупателем или коммерческим пользователем и заканчивается по истечении периода времени, указанного в приведенной выше таблице. «Личное использование» означает индивидуальное использование устройства на личном участке розничным потребителем. «Коммерческое использование» означает все иные варианты использования, включая использование в коммерческих целях, для получения дохода или сдачи в аренду. Если двигатель находился в коммерческом использовании, после этого в рамках настоящих гарантийных условий он считается двигателем «коммерческого использования».

**Для обеспечения гарантийного обслуживания изделий от Briggs & Stratton нет необходимости в гарантийном талоне. Сохраните свою квитанцию, подтверждающую покупку. Если при обращении за гарантийным обслуживанием не будет предоставлен документ, подтверждающий дату первой покупки, для определения гарантийного периода будет использована дата изготовления продукта.**

#### Информация о вашей гарантии

Настоящая ограниченная гарантия покрывает только связанные с двигателями дефекты материала и/или производства, но не замену или возмещение стоимости оборудования, на котором двигатель может быть установлен. Профилактическое техническое обслуживание, настройка, регулировка или нормальный износ не покрываются настоящей гарантией. Аналогично, гарантия теряет свое действие, если двигатель был изменен или модифицирован, или если серийный номер двигателя был искажен или удален. Настоящая гарантия не покрывает повреждение двигателя или ухудшение рабочих параметров, которые были вызваны следующим:

1. Использование деталей, которые не Briggs & Stratton
2. Эксплуатация двигателя с недостаточным количеством смазочного масла, с загрязненным смазочным маслом, а также в случае использования масла несоответствующей марки;
3. Использование загрязненного или несвежего топлива, бензина, содержащего более 10% этанола, или альтернативных видов топлива, например, сжиженного или природного газа, в двигателях, которые не были изначально предназначены/изготовлены компанией Briggs & Stratton для работы на таких видах топлива;
4. Грязь, попавшая в двигатель вследствие ненадлежащего технического обслуживания воздушного фильтра или его неправильного повторного монтажа;

5. Столкновение лезвия ротационной газонокосилки с твердым предметом, ослабленные или установленные ненадлежащим образом адаптеры ножей, крыльчатки или другие соединенные с коленчатым валом устройства, а также чрезмерное натяжение клиновидного ремня;
6. Связанные детали или узлы, например, муфты сцепления, трансмиссии, органы управления оборудованием и т. п., которые не поставляются компанией Briggs & Stratton;
7. Перегрев, вызванный обрезками травы, грязью, мусором или гнездами грызунов, которые блокируют или засоряют ребра охлаждения или зону маховика, или работой двигателя без достаточной вентиляции;
8. Чрезмерная вибрация, вызванная превышением скорости работы, ослабленным креплением двигателя, ослабленным креплением или неправильной балансировкой лезвий или крыльчаток или ненадлежащим присоединением компонентов оборудования к коленчатому валу;
9. Неправильное использование, отсутствие планового технического обслуживания, ненадлежащая транспортировка или хранение оборудования на складе или неправильная установка двигателя.

Гарантийное обслуживание осуществляется только официальными сервисными дилерами компании Briggs & Stratton. Найдите ближайшего официального сервисного дилера в дилер-локаторе на BRIGGSandSTRATTON.COM или по телефону: 1-800-444-7774 (в США).

80114782 (Версия А)

Not for reproduction

## Všeobecné informácie



Tento návod obsahuje bezpečnostné informácie o nebezpečenstvách a rizikách súvisiacich s motorom a návodom na to, ako im zabrániť. Obsahuje tiež informácie o správnej prevádzke a údržbe tohto stroja. Je dôležité, aby ste si prečítali, pochopili a dodržiavali tieto pokyny. **Tento návod si uschovajte pre budúcu potrebu.**

**POZNÁMKA:** Obrázky a ilustrácie uvedené v tomto návode slúžia iba ako informácie a môžu sa od vášho modelu líšiť. Použite obrázky, ktoré zodpovedajú vašej konfigurácii motora. Ak je to potrebné, kontaktujte autorizovaného servisného zástupcu.

Pri náhradných dieloch si zaznamenajte dátum zakúpenia, model, typ, výkon a sériové číslo motora. Tieto čísla sa nachádzajú na vašom motore. Pozrite si časť **Dôležité diely a ovládacie prvky**.

Dátum zakúpenia	
Model – typ – štítok motora	
Výrobné číslo motora	

## Kontaktné údaje európskej pobočky

S otázkami týkajúcimi sa európskych emisií sa obráťte na našu európsku pobočku na adrese:

Max-Born-Straße 2, 68519 Viernheim, Nemecko.

## Fáza V (5) podľa Európskej únie (EÚ): Hodnoty oxidu uhličitého (CO<sub>2</sub>)

Ak chcete nájsť hodnoty oxidu uhličitého v motoroch Briggs & Stratton s certifikátom EÚ o typovom schválení, zadajte výraz „CO<sub>2</sub>“ do vyhľadávacieho okna na adrese BriggsandStratton.com.

## Informácie o recyklácii



Všetky kartónové obaly, škatule, použitý olej a batérie nechajte zrecyklovať v zmysle zákonných predpisov.

## Bezpečnosť obsluhy

### Bezpečnostné varovné značky a signálne slová



Bezpečnostný varovný symbol upozorňuje na bezpečnostné riziká, ktoré môžu vyústiť do úrazu. Signálne slová (**NEBEZPEČENSTVO**, **VAROVANIE** alebo **POZOR**) sa používajú na označenie pravdepodobnosti a možnej závažnosti poranenia. Okrem toho sa môže symbol nebezpečenstva používať na vyjadrenie typu nebezpečenstva.

**NEBEZPEČENSTVO** označuje riziko, ktorému je potrebné predísť, inak bude jeho následkom smrť alebo vážne poranenie.

**VAROVANIE** označuje riziko, ktorému je potrebné predísť, inak by mohla byť jeho následkom smrť alebo vážne poranenie.

**POZOR** označuje riziko, ktorému je potrebné predísť, inak by mohlo dôjsť k malému alebo stredne vážnemu úrazu.

**UPOZORNENIE** Označuje informácie považované za dôležité, ktoré sa však netýkajú nebezpečenstva.

## Symbyly označujúce riziká a ich významy

	Bezpečnostné informácie týkajúce sa rizík, ktoré môžu spôsobiť poranenie osôb.		Pred prevádzkovaním jednotky alebo vykonávaním servisu na jednotke si prečítajte a pochopte návod na obsluhu.
	Nebezpečenstvo požiaru		Nebezpečenstvo výbuchu
	Riziko zásahu elektrickým prúdom		Nebezpečenstvo toxických výparov

	Riziko horúceho povrchu		Riziko spätného nárazu
	Riziko amputácie – pohybujúce sa diely		Hladina paliva – Maximálna Nepreplňujte

## Bezpečnostné informácie



### VAROVANIE

Motory Briggs & Stratton® nie sú skonštruované a nesmú sa používať na pohon motokár, detských vozidiel, rekreačných alebo športových terénnych vozidiel, motocyklov, vznášadiel, lietadiel ani súťažných vozidiel bez súhlasu spoločnosti Briggs & Stratton. Informácie o pretekárskych produktoch si pozrite na stránke [www.briggsracing.com](http://www.briggsracing.com). O využití v úžitkových a terénnych vozidlách so sedadlami vedľa seba sa informujte v stredisku spoločnosti Briggs & Stratton pre pohonné aplikácie, 1-866-927-3349. Nesprávne použitie motora môže viesť k smrti alebo závažnému poraneniu.



### VAROVANIE

Palivo a jeho výpary sú mimoriadne horľavé a výbušné. Oheň alebo výbuch môžu spôsobiť vážne popáleniny alebo smrť.

### Pri dopĺňaní paliva

- Zastavte motor. Pred odmontovaním viečka palivovej nádrže počkajte najmenej dve (2) minúty, kým motor vychladne.
- Palivovú nádrž doplňajte vonku alebo na dobre vetraných miestach.
- Do nádrže nenalievajte príliš veľa paliva. Kvôli expanzii paliva nepĺňte palivovú nádrž nad spodnú časť hrdla nádrže.
- Palivo uskladňujte v dostatočnej vzdialenosti od výskytu iskier, otvorených plameňov, zapalovacích horákov, tepelných alebo iných zápalných zdrojov.
- Pravidelne kontrolujte palivové potrubie, palivovú nádrž, viečko palivovej nádrže a spojky, či nie sú prasknuté alebo netesné. Poškodené časti vymeňte.
- Ak došlo k rozliatiu paliva, pred štartovaním motora počkajte, kým sa palivo neodparí.

### Pri štartovaní motora

- Skontrolujte správnosť osadenia zapalovacej sviečky, tlmíča výfuku, uzáveru palivovej nádrže a čističa vzduchu (ak je vo výbave).
- Motor nenatáčajte, ak je vybratá zapalovacia sviečka.
- Ak je motor preplnený, nastavte sýtič (ak je vo výbave) do polohy OTVORENÝ alebo ŠTARTOVANIE. Ovládanie plynu (ak je vo výbave) nastavte do polohy RÝCHLY a motor natáčajte, pokým nenašartuje.
- Ak v priestore dochádza k úniku zemného alebo skvapalneného plynu, motor nešartujte.
- Nepoužívajte stlačené štartovacie tekutiny, pretože výpary sú horľavé.

### Počas používania zariadenia

- Nenakláňajte motor ani zariadenie pod uhlom, pri ktorom môže dôjsť k rozliatiu paliva.
- Nezastavujte motor priškrcovaním sýtiča karburátora, ak je vo výbave.
- Motor nikdy nešartujte ani neprevádzkujte, keď sú zostava čističa vzduchu (ak je vo výbave) alebo filter vzduchu (ak je vo výbave) demontované.

### Počas údržby

- Pokiaľ vypúšťate olej z hornej plniacej rúrky oleja, palivová nádrž musí byť prázdna. V prípade, že nádrž nie je prázdna, môže dôjsť k rozliatiu paliva, čo môže mať za následok požiar alebo výbuch.
- Počas údržby je potrebné zariadenie nakloniť. Uistite sa, že palivová nádrž, ak je namontovaná na motore, je prázdna a strana so zapalovacou sviečkou je hore. V prípade, že nádrž nie je prázdna, môže dôjsť k rozliatiu paliva, čo môže mať za následok požiar alebo výbuch.
- Pravidelne kontrolujte palivové potrubie, palivovú nádrž, viečko palivovej nádrže a spojky, či nie sú prasknuté alebo netesné. Poškodené časti vymeňte.
- Nezasahujte do pružiny regulátora, prepojení ani do iných dielov s cieľom zvýšiť otáčky motora.
- Neudierajte kladivom, alebo tvrdým predmetom do zotrvačníka. Mohlo by dôjsť k poškodeniu zotrvačníka počas prevádzky.
- Náhradné diely musia mať rovnakú konštrukciu a musia byť namontované na to isté miesto ako pôvodné diely. Ostatné diely môžu spôsobiť poškodenie alebo zranenia.

### Keď zariadenie premiestňujete na iné miesto

- Uistite sa, že je palivová nádrž PRÁZDNA, alebo že je uzatvárací ventil v ZATVORENEJ polohe.

### Pri skladovaní paliva alebo zariadenia s palivom v nádrži

- Neskladujte zariadenie v blízkosti kotlov, pecí, ohrievačov vody ani iných spotrebičov, ktoré majú pilotný plameň alebo iné zápalné zdroje, pretože sa môžu vznietiť palivové výpary.



### VAROVANIE

Palivo a jeho výpary sú mimoriadne horľavé a výbušné. Oheň alebo výbuch môžu spôsobiť vážne popáleniny alebo smrť.

### Štartovanie motora spôsobuje iskrenie, čo by mohlo viesť z požiaru alebo výbuchu.

- Ak v priestore dochádza k úniku zemného alebo skvapalneného plynu, motor neštartujte.
- Nepoužívajte stlačené štartovacie tekutiny, pretože výpary sú horľavé.



### VAROVANIE

**RIZIKO VÝSKYTU JEDOVATÉHO PLYNU.** Spaliny z motora obsahujú oxid uhoľnatý, jedovatý plyn, ktorý dokáže spôsobiť smrť v priebehu niekoľkých minút. Aj keď necítite výfukové spaliny, stále môžete byť vystavení nebezpečným účinkom oxidu uhoľnatého. Ak pri používaní tohto výrobku začnete mať pocity nevoľnosti, závratu alebo slabosti, OKAMŽITE vyjdite na čerstvý vzduch.

Vyhľadajte lekára. Hrozí otrava oxidom uhoľnatým.

- Oxid uhoľnatý sa môže akumulovať v obytných priestoroch. Aby sa znížilo riziko nahromadenia oxidu uhoľnatého, zariadenie používajte IBA vonku, ďaleko od okien, dverí a vetracích otvorov.
- Podľa pokynov výrobcu nainštalujte signalizačné zariadenia upozorňujúce na oxid uhoľnatý na batérie alebo napájané zo zásuvky a zálohované batériou. Dymové signalizačné zariadenia nedokážu detegovať oxid uhoľnatý.
- Tento výrobok NEPOUŽÍVAJTE vnútri domov, garáží, pivníc, priestorov pod domom, kóliní alebo iných potenciálne uzavretých priestorov, a to aj ak na vetranie používate ventilátory či otvorené okná alebo dvere. Po použití tohto produktu sa môže oxid uhoľnatý rýchlo nahromadiť v týchto priestoroch a zostať tam niekoľko hodín.
- Tento výrobok VŽDY umiestňujte po vetre a výfuk motora smerujte mimo obývaných priestorov.



### VAROVANIE

Spätne navinutie šnúry štartéra (spätný náraz) potiahne vašu ruku späť k motoru rýchlejšie, než dokázate pustiť jeho rukoväť, čo môže spôsobiť zlomeniny, pomliaždeniny, vyvrtnutia alebo iné poranenia.

- Pri štartovaní motora pomaly ťahajte štartovaciu šnúru, kým neucítite odpor, a potom prudko trhnite, aby ste prekonali spätý náraz.
- Pred štartovaním motora odpojte všetky externé zariadenia alebo záťaž motora.
- Priamo pripojené diely zariadení, ako napríklad najmä čepele, obežné kolesá, kladky, ozubené hnacie kolesá atď. musia byť bezpečne pripojené.



### VAROVANIE

Rotujúce časti môžu zachytiť ruky, nohy, vlasy, odevy alebo doplnky, čo môže mať za následok traumatickú amputáciu alebo tržné rany.

- Zariadenie používajte iba so správne nasadenými krytmi.
- Ruky a nohy nepribližujte k rotujúcim dielom.
- Zložte si šperky a vlasy udržiňte mimo rotujúcich častí.
- Nenoste voľné odevy ani doplnky, ktoré by mohol stroj zachytiť.



### VAROVANIE

Počas prevádzky sa motor a tlmič výfuku zahrejú na vysokú teplotu. Ak sa dotknete horúceho motora, môže dôjsť k popáleninám.

Môže dôjsť k zapáleniu horľavých nečistôt, ako sú listy, tráva, chrastie atď.

- Skôr, ako sa dotknete motora alebo tlmiča výfuku, zastavte motor a počkajte dve (2) minúty. Uistite sa, že sa motora a tlmiča výfuku môžete bezpečne dotknúť.
- Odstráňte nečistoty z tlmiča výfuku a motora.

Používanie motora na akejkoľvek zalesnenej, zatravnenej ploche alebo na ploche pokrytej krikmi bez lapača iskier na výfukovom systéme udržiavaného vo funkčnom stave je v zmysle § 4442 porušením Zákonníka verejných zdrojov štátu Kalifornia. Ostatné štáty alebo federálne jurisdikcie môžu mať podobné zákony, pozrite si federálnu reguláciu 36 CFR časť 261.52. Keď chcete získať zachytávač iskier, ktorý bol

navrhnutý pre výfukový systém pre tento motor, skontaktujte sa s výrobcou originálneho zariadenia, s obchodníkom, alebo s predajcom.



### VAROVANIE

Náhodná iskra z motora môže spôsobiť zásah elektrickým prúdom, požiar alebo výbuch, čo môže mať za následok zachytenie do stroja, traumatickú amputáciu alebo tržné rany.

### Pred vykonávaním nastavení a opráv:

- Odpojte všetky drôty zapalovacej sviečky a uchovávajte ich ďaleko od zapalovacích sviečok.
- Odpojte kábel od záporného pólu batérie (iba pri motoroch s elektrickým štartovaním).
- Používajte iba správne náradie.

### Počas kontroly iskier:

- Používajte schválený skúšač zapalovacích sviečok.
- Neskúšajte iskru pri odstránenej zapalovacej sviečke.



### VAROVANIE

Výpary z paliva sú horľavé a výbušné. Oheň alebo výbuch môžu spôsobiť vážne popáleniny alebo smrť.

### Ak cítite plyn

- Neštartujte motor.
- Nezapínajte vypínače elektrických zariadení.
- Nepoužívajte v blízkosti telefón.
- Vyprázdňte priestor.
- Spojte sa s dodávateľom plynu alebo požiarou stanicou.

## Dôležité časti a ovládacie prvky









### Ovládacie prvky motora

Porovnajte popisné písmená na obrázkoch 1, 2, 3 a 4 s ovládacími prvkami motora v nasledujúcom zozname:

- A. Identifikačné čísla motora **Model – Typ – Kód**
- B. Zapalovacia sviečka
- C. Vzduchový filter (bez palivovej nádrže)
- D. Vzduchový filter (s palivovou nádržou)
- E. Olejová mierka
- F. Otvor na plnenie oleja
- G. Olejový filter (ak je nainštalovaný)
- H. Zátka na vypustenie oleja
- I. Snímač tlaku oleja
- J. Chránič prstov
- K. Elektrický štartér
- L. Štartovanie šnúrou (ak je nainštalované)
- M. Karburátor – modely s karburátorom
- N. Tlmič výfuku
- O. Palivové čerpadlo
- P. Štartovací spínač<sup>1</sup>
- Q. Ovládanie plynu<sup>1</sup>
- R. Ovládač sýtiča<sup>1</sup>
- S. Palivový filter (ak je nainštalovaný)
- T. Palivová nádrž
- U. Uzavrací ventil paliva (ak je nainštalovaný)<sup>1</sup>
- V. Vypínač chodu (ak je nainštalovaný)<sup>1</sup>
- W. Chladič oleja (ak je nainštalovaný)
- X. Modul palivového čerpadla – modely so systémom EFI
- Y. Elektronický riadiaci modul – modely so systémom EFI
- Z. Vstrekovač paliva – modely so systémom EFI

<sup>1</sup> Niektoré motory a zariadenia majú diaľkové ovládacie prvky. Pozrite si návod k zariadeniu, na ktorom je namontovaný motor, v ktorom je uvedená poloha a obsluha tohoto diaľkového ovládania.

## Symbyly ovládačov motora a ich významy

 Otáčky motora – VYSOKÉ	 Otáčky motora – NÍZKE
 Otáčky motora – ZASTAVENÝ	 ZAP./VYP.
 Štartovanie motora ZATVORENÝ sýtič	 Štartovanie motora OTVORENÝ sýtič
 Veko palivovej nádrže Uzatvárací ventil paliva OTVORENÝ	 Uzatvárací ventil paliva ZATVORENÝ

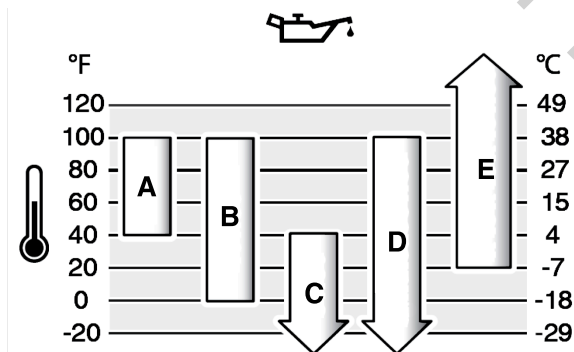
## Prevádzka

### Odporúčenia týkajúce sa oleja

Objem oleja: Pozrite si časť **Technické parametre**.

Odporúčame používať oleje spoločnosti Briggs & Stratton® s certifikovanou zárukou, pre najlepší výkon. Prípustné sú aj iné vysoko kvalitné detergentné oleje, ak majú prevádzkovú klasifikáciu SF, SG, SH, SJ, alebo vyššiu. Nepoužívajte špeciálne prísady.

Pri výbere najlepšej viskozity pre očakávaný rozsah vonkajšej teploty používajte tabuľkou. Motory väčšiny zariadení s motorovým pohonom pracujú vonku dobre so syntetickým olejom 5W-30. V prípade zariadení prevádzkovaných pri vysokých teplotách ponúka najlepšiu ochranu syntetický olej Vanguard® 15W-50.



A	SAE 30 – pri použití oleja SAE 30 pri teplote pod 40 °F (4 °C) bude štartovanie ťažké.
B	10W-30 – používanie oleja 10W-30 pri teplote nad 80 °F (27 °C) môže mať za následok zvýšenú spotrebu oleja. Hladinu oleja kontrolujte často.
C	5W-30
D	Syntetický olej 5W-30
E	Syntetický olej Vanguard® 15W-50

## Skontrolujte hladinu oleja

### Pred kontrolou alebo doliatím oleja

- Uistite sa, že motor je vo vodorovnej polohe.
- Priestor na plnenie oleja očistite od nečistôt.
- Pozrite si časť **Technické parametre**, kde je uvedené množstvo oleja.

### UPOZORNENIE

Spoločnosť Briggs & Stratton dodáva motor bez oleja. Olej mohli pridať do motora výrobca zariadenia alebo predajca. Pred prvým naštartovaním motora skontrolujte, či je hladina oleja v správnej výške. Podľa potreby doplňte olej podľa pokynov v tejto príručke. Pokiaľ naštartujete motor bez oleja, dôjde k jeho neopraviteľnému poškodeniu. Na takéto poškodenie sa záruka nevzťahuje.

1. Vyberte olejovú mierku (A, Obrázok 5) a utrite ju handričkou.
2. Zasuňte a utiahnite olejovú mierku (A, Obrázok 5).
3. Vyberte mierku a skontrolujte hladinu oleja. Uistite sa, že hladina oleja siaha až po hornú hranicu ukazovateľa hladiny oleja (B, obrázok 5) na olejovej mierke.
4. Ak je hladina oleja nízka, pomaly nalievajte olej do motora cez otvor pre plnenie oleja (C, Obrázok 5). Nedolievajte príliš veľa oleja.

5. Počkajte jednu minútu a znovu skontrolujte hladinu oleja. Uistite sa, že hladina oleja je správna.
6. Zasuňte a utiahnite olejovú mierku (A, Obrázok 5).

## Systém ochrany pred nízkou hladinou oleja (ak je nainštalovaný)

Niektoré motory sú vybavené senzorom nízkej hladiny oleja. Ak je hladina oleja nízka, snímač rozsvieti výstražnú kontrolku alebo zastaví motor. Zastavte motor a pred jeho opätovným naštartovaním postupujte podľa nasledujúcich krokov.

- Uistite sa, že je motor vo vodorovnej polohe.
- Skontrolujte olej. Pozrite si časť **Kontrola hladiny oleja**.
- Ak je hladina oleja nízka, doplňte správne množstvo oleja. Naštartujte motor a skontrolujte, či sa nerozsvietila varovná kontrolka (ak je nainštalovaná).
- Ak nie je hladina oleja nízka, motor neštartujte. Na odstránenie problému s olejom sa obráťte na autorizovaného servisného zástupcu Briggs & Stratton.

## Odporúčania týkajúce sa paliva

Palivo musí vyhovovať týmto požiadavkám:

- Čistý, nový, bezolovnatý benzín.
- Minimálne 87-oktánový/87 AKI (91 RON). Informácie o používaní vo vysokej nadmorskej výške sa uvádzajú nižšie.
- Použiť možno benzín s obsahom etanolu do 10 % (gasohol).

### UPOZORNENIE

Nepoužívajte neschválený benzín, ako napr. E15 alebo E85. Nepridávajte olej do benzínu, neupravujte motor na použitie alternatívnych palív. Používanie neschválených palív spôsobí poškodenie častí motora, na ktoré sa nevzťahuje záruka.

Na ochranu palivového systému pred usadzovaním živočíšnych usadenín a koróziou primiešavajte do paliva bezalkoholový stabilizátor paliva a etanolový prostriedok na ošetrovanie paliva. Pozrite si časť **Skladovanie**. Všetky palivá nie sú rovnaké. Pri problémoch so štartovaním alebo výkonom zmeňte dodávateľa alebo značku paliva. Tento motor je certifikovaný na používanie benzínu. Systém regulácie emisií pre motory s karburátorom je EM (modifikácie motora). Systémy regulácie emisií pre motory s elektronickým vstrekovaním paliva sú ECM (radiaci modul motora), MPI (viacportové vstrekovanie paliva), TBI (vstrekovanie paliva telesa plynu) a ak je vo výbave O2S (snímač kyslíka).

### Vysoká nadmorská výška

V nadmorských výškach nad 5 000 stôp (1 524 metrov) je dovolené používať minimálne 85-oktánový benzín/85 AKI (89 RON).

V prípade používania motorov s karburátorom sa požaduje úprava na používanie vo vysokých nadmorských výškach. Bez tejto úpravy dôjde počas prevádzky k zníženiu výkonu, zvýšeniu spotreby paliva a zvýšeniu množstva emisií. Pre získanie informácií o úprave na používanie vo vysokých nadmorských výškach kontaktujte autorizovaného predajcu značky Briggs & Stratton. Používanie motora s úpravou pre vysoké nadmorské výšky v nadmorských výškach do 2 500 stôp (762 metrov) sa neodporúča.

Pri motoroch s elektronickým vstrekovaním paliva (EFI), nie je potrebné robiť žiadne nastavenie podľa nadmorskej výšky.

## Doplňanie paliva



### VAROVANIE

Palivo a jeho výpary sú mimoriadne horľavé a výbušné. Oheň alebo výbuch môžu spôsobiť vážne popáleniny alebo smrť.

### Pri dopĺňaní paliva

- Zastavte motor. Pred odmontovaním viečka palivovej nádrže počkajte najmenej dve (2) minúty, kým motor vychladne.
- Palivovú nádrž doplňajte vonku alebo na dobre vetraných miestach.
- Do nádrže nenalievajte príliš veľa paliva. Kvôli expanzii paliva nepĺňte palivovú nádrž nad spodnú časť hrdla nádrže.
- Palivo uskladňujte v dostatočnej vzdialenosti od výskytu iskier, otvorených plameňov, zapalovacích horákov, tepelných alebo iných zápalných zdrojov.
- Pravidelne kontrolujte palivové potrubie, palivovú nádrž, viečko palivovej nádrže a spojky, či nie sú prasknuté alebo netesné. Poškodené časti vymeňte.
- Ak došlo k rozliatiu paliva, pred štartovaním motora počkajte, kým sa palivo neodparí.

1. Okolie uzáveru palivovej nádrže očistite od špiny a zvyškov. Vyskrutkujte uzáver palivovej nádrže.
2. Naplňte palivovú nádrž (A, obrázok 6) palivom. Kvôli expanzii paliva nenapĺňajte palivovú nádrž nad spodnú časť hrdla nádrže (B).
3. Nainštalujte uzáver palivovej nádrže.



## Naštartovanie motora



### VAROVANIE

Náhodná iskra z motora môže spôsobiť zásah elektrickým prúdom, požiar alebo výbuch, čo môže mať za následok zachytenie do stroja, traumatickú amputáciu alebo tržné rany.

#### Pred vykonávaním nastavení a opráv:

- Odpojte všetky drôty zapalovacej sviečky a uchovávajte ich ďaleko od zapalovacích sviečok.
- Odpojte kábel od záporného pólu batérie (iba pri motoroch s elektrickým štartovaním).
- Používajte iba správne náradie.

#### Počas kontroly iskier:

- Používajte schválený skúšač zapalovacích sviečok.
- Neskúšajte iskru pri odstránenej zapalovacej sviečke.



### VAROVANIE

Spätne navinutie šnúry štartéra (spätný náraz) potiahne vašu ruku späť k motoru rýchlejšie, než dokážete pustiť jeho rukoväť, čo môže spôsobiť zlomeniny, pomliaždeniny, vyvrtnutia alebo iné poranenia.

- Pri štartovaní motora pomaly ťahajte štartovaciu šnúru, kým neucítite odpor, a potom prudko trhnite, aby ste prekonalí spätý náraz.
- Pred štartovaním motora odpojte všetky externé zariadenia alebo zátaže motora.
- Priamo pripojené diely zariadení, ako napríklad najmä čepele, obežné kolesá, kladky, ozubené hnacie kolesá atď. musia byť bezpečne pripojené.



### VAROVANIE

**RIZIKO VÝSKYTU JEDOVATÉHO PLYNU.** Spaliny z motora obsahujú oxid uhoľnatý, jedovatý plyn, ktorý dokáže spôsobiť smrť v priebehu niekoľkých minút. Aj keď necítite výfukové spaliny, stále môžete byť vystavení nebezpečným účinkom oxidu uhoľnatého. Ak pri používaní tohto výrobku začnete mať pocity nevoľnosti, závratu alebo slabosti, OKAMŽITE vyjdite na čerstvý vzduch. Vyhľadajte lekára. Hrozí otrava oxidom uhoľnatým.

- Oxid uhoľnatý sa môže akumulovať v obytných priestoroch. Aby sa znížilo riziko nahromadenia oxidu uhoľnatého, zariadenie používajte IBA vonku, ďaleko od okien, dverí a vetracích otvorov.
- Podľa pokynov výrobcu nainštalujte signalizačné zariadenia upozorňujúce na oxid uhoľnatý na batérie alebo napájané zo zásuvky a zálohované batériou. Dymové signalizačné zariadenia nedokážu detegovať oxid uhoľnatý.
- Tento výrobok NEPOUŽÍVAJTE vnútri domov, garáží, pivníc, priestorov pod domom, kôlní alebo iných potenciálne uzavretých priestorov, a to aj ak na vetranie používate ventilátory či otvorené okná alebo dvere. Po použití tohto produktu sa môže oxid uhoľnatý rýchlo nahromadiť v týchto priestoroch a zostať tam niekoľko hodín.
- Tento výrobok VŽDY umiestňujte po vetre a výfuk motora smerujte mimo obývaných priestorov.

#### UPOZORNENIE

Spoločnosť Briggs & Stratton dodáva motor bez oleja. Olej mohli pridať do motora výrobca zariadenia alebo predajca. Pred prvým naštartovaním motora skontrolujte, či je hladina oleja v správnej výške. Podľa potreby doplňte olej podľa pokynov v tejto príručke. Pokiaľ naštartujete motor bez oleja, dôjde k jeho neopraviteľnému poškodeniu. Na takéto poškodenie sa záruka nevzťahuje.

**POZNÁMKA:** Vaše zariadenie môže byť vybavené diaľkovým ovládaním. Polohu a prevádzku diaľkových ovládacích prvkov nájdete v návode k zariadeniu.

#### Typy systémov štartovania

Pred naštartovaním motora musíte určiť typ systému štartovania motora. Váš motor má jeden z týchto typov systémov.

- **Systém elektronického vstrekovania paliva (EFI):** Systém EFI nemá sýtič ani nastrekovaciu pumpu.
- **Systém elektronického riadenia spotreby paliva:** Systém elektronického riadenia spotreby paliva má elektronickú riadiacu jednotku, ktorá monitoruje motor a teplotné podmienky. Nie je vybavený ručným ovládaním sýtiča ani nastrekovacou pumpou.
- **Systém sýtiča:** Tento typ systému má sýtič, ktorý sa používa pri nízkych teplotách. Niektoré modely majú samostatné ovládanie sýtiča, no niektoré majú spoločné ovládanie sýtiča a plynu. Tento typ nemá nastrekovaciu pumpu.

## Systém elektronického vstrekovania paliva (EFI)

1. Skontrolujte motorový olej. Pozrite si časť **Kontrola hladiny oleja**.

2. Uistite sa, že ovládacie prvky pohonu zariadenia, ak je vo výbave, sú vypnuté.
3. Uzatvárací ventil paliva (A, Obrázok 7), ak je vo výbave, presuňte do polohy OTVORENÝ.
4. Stlačte vypínač chodu (F, obrázky 7, 8), ak je vo výbave, do polohy ZAP.
5. Posuňte páku ovládania plynu (B, Obrázok 8), ak je vo výbave, do polohy RÝCHLO (vysoké otáčky). Motor prevádzkujte v polohe VYSOKÉ OTÁČKY.
6. **Štartovanie šnúrou, ak je vo výbave, so spínacím kľúčom:** Otočte spínací kľúč (D, obrázky 7, 8) do polohy ZAP.
7. **Štartovanie šnúrou, ak je vo výbave:** Pevne uchopte rukoväť štartovacej šnúry (E, obrázky 7, 8). Pomaly ťahajte rukoväť štartovacej šnúry, kým neucítite odpor, a potom rýchlo potiahnite.



### VAROVANIE

Rýchle späté zatiahnutie štartovacieho lana (spätný náraz) vám potiahne ruku a rameno k motoru rýchlejšie, ako stihnete pustiť štartovacie lano. V dôsledku toho môže dôjsť k zlomeninám kostí, fraktúram, pomliaždeninám alebo vytknutiam. Pri štartovaní motora pomaly ťahajte štartovaciu šnúru, kým neucítite odpor, a potom prudko trhnite, aby ste prekonalí spätý náraz.

8. **Elektrické štartovanie, ak je vo výbave:** Otočte spínač elektrického štartovania (D, obrázky 7, 8) do polohy ZAP., alebo ŠTART.

**UPOZORNENIE** Používajte krátke štartovacie cykly (maximálne päť sekúnd), aby ste dosiahli dlhšiu životnosť štartéra. Medzi jednotlivými štartovacími cyklami počkajte jednu minútu.

Ak motor nenaštartuje ani po 3 alebo 4 pokusoch, obráťte sa na miestneho predajcu, alebo navštívte stránku [vanguardpower.com](http://vanguardpower.com) alebo zavolajte na tel.č. 1-800-999-9333.

## Systém elektronického riadenia spotreby paliva

1. Skontrolujte motorový olej. Pozrite si časť **Kontrola hladiny oleja**.
2. Uistite sa, že ovládacie prvky pohonu zariadenia, ak je vo výbave, sú vypnuté.
3. Uzatvárací ventil paliva (A, Obrázok 7), ak je vo výbave, presuňte do polohy OTVORENÝ.
4. Stlačte vypínač chodu (F, obrázky 7, 8), ak je vo výbave, do polohy ZAP.
5. Posuňte páku ovládania plynu (B, Obrázok 8), ak je vo výbave, do polohy RÝCHLO (vysoké otáčky). Motor prevádzkujte v polohe VYSOKÉ OTÁČKY.
6. **Štartovanie šnúrou, ak je vo výbave, so spínacím kľúčom:** Otočte spínací kľúč (D, obrázky 7, 8) do polohy ZAP.
7. **Štartovanie šnúrou, ak je vo výbave:** Pevne uchopte rukoväť štartovacej šnúry (E, obrázky 7, 8). Pomaly ťahajte rukoväť štartovacej šnúry, kým neucítite odpor, a potom rýchlo potiahnite.



### VAROVANIE

Rýchle späté zatiahnutie štartovacieho lana (spätný náraz) vám potiahne ruku a rameno k motoru rýchlejšie, ako stihnete pustiť štartovacie lano. V dôsledku toho môže dôjsť k zlomeninám kostí, fraktúram, pomliaždeninám alebo vytknutiam. Pri štartovaní motora pomaly ťahajte štartovaciu šnúru, kým neucítite odpor, a potom prudko trhnite, aby ste prekonalí spätý náraz.

8. **Elektrické štartovanie, ak je vo výbave:** Otočte spínač elektrického štartovania (D, obrázky 7, 8) do polohy ZAP., alebo ŠTART.

**UPOZORNENIE** Používajte krátke štartovacie cykly (maximálne päť sekúnd), aby ste dosiahli dlhšiu životnosť štartéra. Medzi jednotlivými štartovacími cyklami počkajte jednu minútu.

Ak motor nenaštartuje ani po 3 alebo 4 pokusoch, obráťte sa na miestneho predajcu, alebo navštívte stránku [vanguardpower.com](http://vanguardpower.com) alebo zavolajte na tel.č. 1-800-999-9333.

## Systém sýtiča

1. Skontrolujte motorový olej. Pozrite si časť **Kontrola a doplnenie hladiny oleja**.
2. Uistite sa, že ovládacie prvky pohonu zariadenia, ak je vo výbave, sú vypnuté.
3. Uzatvárací ventil paliva (A, Obrázok 7), ak je vo výbave, presuňte do polohy OTVORENÝ.
4. Stlačte vypínač chodu (F, obrázky 7, 8), ak je vo výbave, do polohy ZAP.
5. Posuňte ovládač plynu (B, obrázok 7), ak je vo výbave, do polohy RÝCHLO. Motor prevádzkujte v polohe VYSOKÉ OTÁČKY.
6. Posuňte ovládač sýtiča (C, obrázky 9, 10) do polohy ZATVORENÝ.

**POZNÁMKA:** Pri štartovaní zahriateho motora spravidla nie je potrebný sýtič.

- Štartovanie šnúrou, ak je vo výbave, so spínacím kľúčom:** Otočte spínací kľúč (D, obrázky 7, 8) do polohy ZAP.
- Štartovanie šnúrou, ak je vo výbave:** Pevne uchopte rukoväť štartovacej šnúry (E, obrázky 7, 8). Pomaly ťahajte rukoväť štartovacej šnúry (E), kým neucítite odpor, a potom ju rýchlo potiahnite.



#### VAROVANIE

Rýchle spätné zatiahnutie štartovacieho lana (spätný náraz) vám potiahne ruku a rameno k motoru rýchlejšie, ako stihnete pustiť štartovacie lano. V dôsledku toho môže dôjsť k zlomeninám kostí, fraktúram, pomliaždeninám alebo vytknutiam. Pri štartovaní motora pomaly ťahajte štartovaciu šnúru, kým neucítite odpor, a potom prudko trhnite, aby ste prekonalí spätý náraz.

- Elektrické štartovanie, ak je vo výbave:** Otočte spínací kľúč (D, obrázky 7, 8) do polohy ZAP. alebo ŠTART.

#### UPOZORNENIE

Používajte krátke štartovacie cykly (maximálne päť sekúnd), aby ste dosiahli dlhšiu životnosť štartéra. Medzi jednotlivými štartovacími cyklami počkajte jednu minútu.

- Počas zahrievania motora posuňte ovládač sýtiča (C, obrázky 9, 10) do polohy OTVORENÝ.

**POZNÁMKA:** Ak motor nenašartuje ani po 2 – 3 pokusoch, obráťte sa na miestneho zástupcu, navštívte stránku [vanguardpower.com](http://vanguardpower.com) alebo zavolajte na tel. č. 1-800-999-9333.

### Zastavenie motora



#### VAROVANIE

Palivo a jeho výpary sú mimoriadne horľavé a výbušné. Oheň alebo výbuch môžu spôsobiť vážne popáleniny alebo smrť.

- Nezastavujte motor priškrkovaním sýtiča karburátora, ak je vo výbave.
- Vypínač na zastavenie motora, ak je vo výbave:** Posuňte vypínač chodu (F, obrázok 11) do polohy VYP.
  - Spínací kľúč, ak je vo výbave:** S ovládačom plynu, ak je vo výbave, v polohe POMALY, otočte spínací kľúč (D, Obrázok 11) do polohy VYP. Vytiahnite kľúč a uložte ho na bezpečné miesto mimo dosahu detí.
  - Po zastavení motora otočte uzatvárací ventil paliva (A, obrázok 11), ak je vo výbave, do polohy ZATVORENÝ.

## Údržba

### Informácie týkajúce sa údržby



#### VAROVANIE

Palivo a jeho výpary sú mimoriadne horľavé a výbušné. Oheň alebo výbuch môžu spôsobiť vážne popáleniny alebo smrť.

Počas údržby je potrebné zariadenie nakloniť. Uistite sa, že palivová nádrž, ak je namontovaná na motore, je prázdna a strana so zapalovacou sviečkou je hore. Ak nádrž nie je prázdna, môže dôjsť k rozliatiu paliva, čo môže mať za následok požiar alebo výbuch. Ak je motor naklonený iným smerom, nebude sa dať ľahko naštartovať z dôvodu kontaminácie filtra vzduchu alebo zapalovacej sviečky olejom alebo palivom.



#### VAROVANIE

Náhodná iskra z motora môže spôsobiť zásah elektrickým prúdom, požiar alebo výbuch, čo môže mať za následok zachytenie do stroja, traumatickú amputáciu alebo tržné rany.

#### Pred vykonávaním nastavení a opráv:

- Odpojte všetky drôty zapalovacej sviečky a uchovávajte ich ďaleko od zapalovacích sviečok.
- Odpojte kábel od záporného pólu batérie (iba pri motoroch s elektrickým štartovaním).
- Používajte iba správne náradie.

#### Počas kontroly iskiere:

- Používajte schválený skúšač zapalovacích sviečok.
- Neskúšajte iskru pri odstránenej zapalovacej sviečke.



#### VAROVANIE

Náhradné diely musia mať rovnakú konštrukciu a musia byť namontované na to isté miesto ako pôvodné diely. Ostatné diely môžu spôsobiť poškodenie alebo zranenia.

#### UPOZORNENIE

Aby motor správne fungoval, všetky časti použité v konštrukcii tohto motora musia zostať na mieste.

Pri každej údržbe a servise motora a dielov motora navštívte autorizovaného servisného zástupcu Briggs & Stratton.

## Servis systému kontroly emisií

Údržbu, výmenu alebo opravu zariadení a systémov na kontrolu emisií vo výfukových plynch zverte kvalifikovanému servisnému stredisku alebo pracovníkovi. „Bezplatná“ kontrola emisií vo výfukových plynch môže byť vykonaná iba u servisného zástupcu autorizovaného výrobným závodom. Pozrite si vyhlásenia o kontrole emisií škodlivín.

## Plán údržby

8-hodinové intervaly alebo denne
<ul style="list-style-type: none"> <li>Skontrolujte hladinu motorového oleja.</li> <li>Očistite priestor okolo tlmiča výfuku a ovládacích prvkov.</li> </ul>
100-hodinové intervaly alebo ročne
<ul style="list-style-type: none"> <li>Vymeňte zapalovacie sviečky.</li> <li>Vymeňte motorový olej.</li> <li>Vymeňte olejový filter (ak je nainštalovaný).</li> <li>Vykonajte servisnú údržbu vzduchového filtra<sup>1</sup>.</li> <li>Vyčistite predfilter (ak je nainštalovaný)<sup>1</sup>.</li> <li>Vykonajte servisnú údržbu výfukového systému.</li> </ul>
250-hodinové intervaly alebo ročne
<ul style="list-style-type: none"> <li>Skontrolujte voľu ventilov. Ak je to potrebné, zmeňte nastavenie.</li> </ul>
400-hodinové intervaly alebo ročne
<ul style="list-style-type: none"> <li>Vymeňte vzduchový filter.</li> <li>Vymeňte palivový filter.</li> <li>Vykonajte servisnú údržbu systému chladenia vzduchom<sup>1</sup>.</li> <li>Vyčistite rebrá chladiča oleja<sup>1</sup>.</li> </ul>

<sup>1</sup> Čistite častejšie v prachových podmienkach, alebo ak je v ovzduší veľké množstvo častíc.

## Systém elektronického vstrekovania paliva (EFI)

Systém elektronického vstrekovania paliva (EFI) sleduje počas štartovania a zohrievania motora teplotu a otáčky motora a napätie batérie. Tento systém nie je potrebné nastavovať. S problémami so štartovaním alebo prevádzkovaním motora sa obráťte na autorizovaného servisného zástupcu Briggs & Stratton.

**UPOZORNENIE** Uistite sa, že dodržiavate nižšie uvedené kroky, pretože v opačnom prípade môže dôjsť k poškodeniu systému elektronického vstrekovania paliva (EFI).

- Motor NEŠTARTUJTE, ak sú káble od batérie uvoľnené.
- Pred odpájaním, vyberaním a/alebo vkladáním a pripájaním batérie otočte kľúč zapalovania do polohy VYP.
- Na štartovanie motora NEPOUŽÍVAJTE nabíjačku batérie.
- Káble od batérie NEODPÁJAJTE počas chodu motora.
- Pri pripájaní káblov k batérii najprv pripojte kábel na kladný (+) pól batérie a potom na záporný (-) pól batérie.
- Pri nabíjaní batérie otočte kľúč zapalovania do polohy VYP. a odpojte kábel od záporného (-) pólu batérie.
- NESTRIEKAJTE vodu priamo na elektronický riadiaci modul.

## Systém elektronického riadenia spotreby paliva

Systém elektronického riadenia spotreby paliva sleduje počas štartovania a zohrievania motora teplotu motora, otáčky motora a napätie batérie, kvôli správnejmu nastaveniu sýtiča. Tento systém nie je potrebné nastavovať. S problémami so štartovaním alebo prevádzkovaním motora sa obráťte na autorizovaného servisného zástupcu Briggs & Stratton.

**UPOZORNENIE** Musíte dodržať tieto pravidlá, pretože v opačnom prípade môže dôjsť k poškodeniu systému elektronického riadenia spotreby paliva.

- Motor NEŠTARTUJTE, ak sú káble od batérie uvoľnené.
- Pred zapojením káblov pre pomocné štartovanie motora odpojte alebo opätovne zapojte káble batérie, kľúčik zapalovania otočte do polohy VYP. Pri nabíjaní batérie majte kľúčik zapalovania otočený v polohe VYP.
- Pri odpájaní káblov batérie od batérie najprv odpojte záporný (-) kábel a potom kladný (+) kábel od batérie. Pri pripájaní káblov batérie k batérii najprv pripojte kábel na kladný (+) kábel a potom na záporný (-) kábel k batérii.

- Na štartovanie motora NEPOUŽÍVAJTE nabíjačku batérie.
- Káble od batérie NEODPÁJAJTE počas chodu motora.
- NESTRIEKAJTE vodu priamo na elektronickú riadiacu jednotku.

## Karburátor a otáčky motora

Nerobte úpravy v karburátore, pružine regulátora, prepojiaciach ani iných dieloch s cieľom zmeniť otáčky motora. Ak sú potrebné úpravy, požiadajte o servis autorizovaného servisného zástupcu Briggs & Stratton.

### UPOZORNENIE

Výrobca zariadenia, na ktorom je namontovaný motor, stanovuje maximálne povolené otáčky tohoto motora. Neprekračujte tieto otáčky. Ak si nie ste istí hodnotou maximálnych povolených otáčok zariadenia, na ktorom je motor, alebo na aké otáčky bol nastavený motor vo výrobnom závode, požiadajte o pomoc autorizovaného servisného zástupcu Briggs & Stratton. Aby zariadenie pracovalo bezpečne a správne, otáčky motora musia byť nastavené iba kvalifikovaným servisným technikom.

## Údržba zapalovacej sviečky

Skontrolujte vzdialenosť elektród zapalovacej sviečky (A, Obrázok 12) pomocou mierky (B). Ak je to potrebné, upravte vzdialenosť elektród zapalovacej sviečky. Zapalovaciu sviečku zaskrutkujte a utiahnite správnym krútiacim momentom. Informácie o vzdialenosti elektród a krútiacich momentoch nájdete v časti **Technické parametre**.

## Servisná údržba výfukového systému



### VAROVANIE

Počas prevádzky sa motor a tlmíč výfuku zahrejú na vysokú teplotu. Ak sa dotknete horúceho motora, môže dôjsť k popáleninám.

Môže dôjsť k zapáleniu horľavých nečistôt, ako sú listy, tráva, chrastie atď.

- Skôr, ako sa dotknete motora alebo tlmíča výfuku, zastavte motor a počkajte dve (2) minúty. Uistite sa, že sa motora a tlmíča výfuku môžete bezpečne dotknúť.
- Odstráňte nečistoty z tlmíča výfuku a motora.

Používanie motora na akejkoľvek zalesnenej, zatravnenej ploche alebo na ploche pokrytej kríkmi bez lapača iskier na výfukovom systéme udržiavaného vo funkčnom stave je v zmysle § 4442 porušením Zákonníka verejných zdrojov štátu Kalifornia. Ostatné štáty alebo federálne jurisdikcie môžu mať podobné zákony, pozrite si federálnu reguláciu 36 CFR časť 261.52. Keď chcete získať zachytávač iskier, ktorý bol navrhnutý pre výfukový systém pre tento motor, skontaktujte sa s výrobcou originálneho zariadenia, s obchodníkom, alebo s predajcom.

Z priestoru tlmíča výfuku a valca odstráňte nečistoty. Skontrolujte, či nie je tlmíč výfuku prasknutý, skorodovaný, alebo inak poškodený. Odmontujte kryt alebo lapač iskier, ak je vo výbave, a skontrolujte, či nie je poškodený alebo zanesený olejovými usadeninami. Ak zistíte poškodenie, pred používaním zariadenia namontujte náhradné diely.



### VAROVANIE

Náhradné diely musia mať rovnakú konštrukciu a musia byť namontované na to isté miesto ako pôvodné diely. Ostatné diely môžu spôsobiť poškodenie alebo zranenia.

## Výmena motorového oleja



### VAROVANIE

Palivo a jeho výpary sú mimoriadne horľavé a výbušné. Oheň alebo výbuch môžu spôsobiť vážne popáleniny alebo smrť.

Počas prevádzky sa motor a tlmíč výfuku zahrejú na vysokú teplotu. Ak sa dotknete horúceho motora, môže dôjsť k popáleninám.

- Pokiaľ vypúšťate olej z hornej plniacej rúrky oleja, palivová nádrž musí byť prázdna. V prípade, že nádrž nie je prázdna, môže dôjsť k úniku paliva, čo môže mať za následok požiar alebo výbuch.
- Skôr, ako sa dotknete motora alebo tlmíča výfuku, zastavte motor a počkajte dve (2) minúty. Uistite sa, že sa motora a tlmíča výfuku môžete bezpečne dotknúť.

Použitý olej je nebezpečný odpad a musí sa správne zlikvidovať. Nevyhadzujte ho s domovým odpadom. Informácie o bezpečnej likvidácii a miestach recyklácie získate na miestnom úrade, v servisnom stredisku alebo u predajcu.

### Vypustenie oleja

1. Na VYPNUTOM, ale ešte teplom motore odpojte zapalovací kábel od zapalovacej sviečky (D, Obrázok 13) a nepribližujte ho k zapalovacej sviečke (sviečkam) (E).
2. Vytiahnite olejovú mierku (A, obrázky 14, 15).
3. Odstráňte zátku na vypúšťanie oleja (F, obrázky 16, 17). Olej vypustte do schválenej nádoby.

4. Nasaďte a utiahnite zátku na vypúšťanie oleja (F, obrázky 16, 17).

### Vymeňte olejový filter, ak je nainštalovaný

1. Vypustite olej z motora. Pozrite si časť **Vypustenie oleja**.
2. Vyberte olejový filter (G, obrázky 18, 19) a správne ho zlikvidujte.
3. Pred nainštalovaním nového olejového filtra jemne namažte tesnenie olejového filtra novým, čistým olejom.
4. Olejový filter naskrutkujte rukou, pokiaľ sa tesnenie nedotkne adaptéra olejového filtra, a potom olejový filter utiahnite o 1/2 až 3/4 otáčky.
5. Doplňte olej. Pozrite si časť **Doliatie oleja**.
6. Naštartujte motor a nechajte ho bežať. Keď sa motor zohreje, skontrolujte, či neuniká olej.
7. Motor zastavte. Uistite sa, že hladina oleja siaha až po hornú hranicu ukazovateľa hladiny oleja na olejovej mierke. Pozrite si časť **Doliatie oleja**.

### Pridať olej

- Uistite sa, že motor je vo vodorovnej polohe.
- Priestor na plnenie oleja očistite od nečistôt.
- Pozrite si časť **Technické špecifikácie**, kde je uvedené množstvo oleja.

1. Vytiahnite olejovú mierku (A, obrázky 20, 21). Pomocou čistej handričky odstráňte olej z mierky oleja.
2. Pomaly pridávajte olej do otvoru na plnenie motorového oleja (C, obrázky 20, 21) **Neprepĺňajte**. Počkajte jednu minútu a skontrolujte hladinu oleja.
3. Zasuňte a utiahnite olejovú mierku (A, obrázky 20, 21).
4. Vyberte mierku a skontrolujte hladinu oleja. Správna hladina oleja je v hornej časti ukazovateľa hladiny oleja (B, obrázky 20, 21) na olejovej mierke.
5. Zasuňte a utiahnite olejovú mierku (A, obrázky 20, 21).
6. Pripojte kábel (káble) zapalovacej sviečky (D, obrázok 20) k zapalovacej sviečke (sviečkam).

## Servis vzduchového filtra



### VAROVANIE

Výpary z paliva sú horľavé a výbušné. Oheň alebo výbuch môžu spôsobiť vážne popáleniny alebo smrť.

- Motor nikdy neštartujte ani neprevádzkujte, keď sú zostava čističa vzduchu (ak je vo výbave) alebo filter vzduchu (ak je vo výbave) demontované.

### UPOZORNENIE

Na čistenie vzduchového filtra nepoužívajte stlačený vzduch ani rozpúšťadlá. Stlačený vzduch môže filter poškodiť a rozpúšťadlá zas rozpustiť.

Pozrite si **Plán údržby**, kde nájdete požiadavky na vykonanie servisu.

Niektoré modely sú tiež vybavené voliteľným predfilterom, ktorý je možné vyčistiť a znovu použiť. Porovnajte obrázky v tomto návode s typom použitým na vašom motore.

1. **Modely bez palivovej nádrže:** Otvorte príchytku (príchytky) (A, Obrázok 22) a zložte kryt (B).
2. **Modely s palivovou nádržou:** Odstráňte príchytku (príchytky) (C, obrázok 23) a kryt (D).
3. Odstráňte maticu (D, obrázky 22, 23) a držiak (E).
4. Vyberte vzduchový filter (F, obrázky 22, 23).
5. Vyberte predfilter (G, obrázky 22, 23), ak je vo výbave, zo vzduchového filtra (F).
6. Ak chcete uvoľniť nečistoty, jemne poklepte vzduchovým filtrom (F, obrázky 22, 23) o tvrdý povrch. Ak je filter znečistený, nahraďte ho novým.
7. Vyčistite predfilter (G, obrázky 22, 23), ak je vo výbave, v tekutom čistiacom prostriedku a vode. Nechajte predfilter dôkladne vyschnúť na vzduchu. Predfilter **NEMAŽTE**.
8. Nasaďte suchý predfilter (G, obrázky 22, 23), ak je vo výbave, na vzduchový filter (F).
9. Nasaďte vzduchový filter (F, obrázky 22, 23) a zaistite ho držiakom (E) a maticou (D).
10. Nasaďte kryt (B, obrázky 22, 23).

## Vykonajte servisnú údržbu palivového systému

### VAROVANIE



Palivo a jeho výpary sú mimoriadne horľavé a výbušné. Oheň alebo výbuch môžu spôsobiť vážne popáleniny alebo smrť.

- Palivo uskladňujte v dostatočnej vzdialenosti od výskytu iskier, otvorených plameňov, zapalovacích horákov, tepelných alebo iných zápalných zdrojov.
- Pravidelne kontrolujte palivové potrubie, palivovú nádrž, viečko palivovej nádrže a spojky, či nie sú prasknuté alebo netesné. Poškodené časti vymeňte.
- Ak došlo k rozliatiu paliva, pred štartovaním motora počkajte, kým sa palivo neodparí.

### Palivový filter, ak je nainštalovaný

1. Pred výmenou palivového filtra (A, obrázok 24) vypustíte palivo z palivovej nádrže alebo zatvorte uzatvárací ventil paliva. Ak z palivovej nádrže nevypustíte palivo, môže dôjsť k jeho unikaniu a vzniku požiaru alebo výbuchu.
2. Kliešťami stlačte výstupky (B, obrázok 24) na svorkách (C). Potom odtlačte svorky z palivového filtra (A).
3. Krútením a ťahaním odpojte palivové vedenia (D, obrázok 24) od palivového filtra.
4. Skontrolujte, či nie sú palivové vedenia (D, obrázok 24) prasknuté, alebo netesniace. Ak je to potrebné, vymeňte palivové potrubia.
5. Vymeňte palivový filter (A, obrázok 24).
6. Zapojte palivové rúrky (D, obrázok 24) so svorkami (C).

## Vykonajte servisnú údržbu chladiaceho systému

### VAROVANIE



Počas prevádzky sa motor a tlmíč výfuku zahrejú na vysokú teplotu. Ak sa dotknete horúceho motora, môže dôjsť k popáleninám.

Môže dôjsť k zapáleniu horľavých nečistôt, ako sú listy, tráva, chrasť atď.

- Skôr, ako sa dotknete motora alebo tlmíča výfuku, zastavte motor a počkajte dve (2) minúty. Uistite sa, že sa motora a tlmíča výfuku môžete bezpečne dotknúť.
- Odstráňte nečistoty z tlmíča výfuku a motora.

### UPOZORNENIE

Motor nečistíte vodou. Voda sa môže dostať do palivového systému. Na čistenie motora používajte kefu alebo suchú handru.

Tento motor je chladený vzduchom. Špina a nečistoty môžu zabrániť prietoku vzduchu a spôsobiť prehriatie motora, čo má za následok zníženie výkonu a skrátenie životnosti motora.

1. Z mriežky nasávania vzduchu odstráňte nečistoty kefou alebo suchou handrou.
2. Tiahla, pružiny a ovládacie prvky udržiavajte čisté.
3. Priestor okolo tlmíča výfuku a za ním (ak je ním zariadenie vybavené) udržiavajte čistý a bez horľavého odpadu.
4. Dbajte na to, aby boli rebrá chladiča oleja (ak je ním zariadenie vybavené) čisté.

Časom sa v chladiacich rebrách valca môžu nahromadiť nečistoty a spôsobiť prehriatie motora. Tento nežiadany materiál nie je možné odstrániť bez čiastočného rozobratia motora. Systém vzduchového chladenia motora nechajte skontrolovať a vyčistiť u autorizovaného servisného zástupcu Briggs & Stratton tak, ako je to odporúčené v **Tabuľke údržby**.

## Skladovanie

### Palivový systém

Pozrite si obrázok: 25.

### VAROVANIE



Palivo a jeho výpary sú mimoriadne horľavé a výbušné. Oheň alebo výbuch môžu spôsobiť vážne popáleniny alebo smrť.

### Skladovanie paliva

- Neskladujte zariadenie v blízkosti kotlov, pecí, ohrievačov vody ani iných spotrebičov, ktoré majú pilotný plameň alebo iné zápalné zdroje, pretože sa môžu vznietiť palivové výpary.

Motor uskladnite vo vodorovnej polohe (štandardná prevádzková poloha). Naplňte palivovú nádrž (A, obrázok 25) palivom. Palivovú nádrž nenaplňajte nad hrdlo a ponechajte priestor na rozpínanie paliva (B).

Keď je palivo uskladňované v skladovacej nádobe viac ako 30 dní, môže sa zvetrať. Do skladovacej nádoby s palivom sa odporúča pridať bezalkoholový stabilizátor paliva a etanolový prostriedok na ošetrovanie paliva, aby sa predišlo znehodnoteniu paliva a aby sa palivo udržiavalo čerstvé.

Keď naplníte skladovaciu nádobu palivom, pridajte bezalkoholový stabilizátor paliva podľa pokynov uvedených výrobcom. Ak benzín v motore nebol ošetrovaný stabilizátorom paliva, musí sa vypustiť do schválenej nádoby. Nechajte motor bežať, kým sa nespotrebuje všetko palivo.

## Motorový olej

Motorový olej vymeňte kým je motor ešte teplý. Pozrite si časť **Výmena motorového oleja**.

## Riešenie problémov

### Asistencia

Ak potrebujete pomoc, obráťte sa na svojho miestneho zástupcu alebo navštívte stránku **BRIGGSandSTRATTON.COM**, alebo zavolajte na tel. č. **1-800-444-7774** (v USA).

## Technické parametre

### Technické parametre a náhradné diely

MODELY: 290000, 300000	
Zdvihový objem	29.23 kubický palec (479 cm <sup>3</sup> )
Priemer valca	2.677 palec (68 mm)
Zdvih	2.598 palec (66 mm)
Objem oleja	46 - 48 unca (1,36 - 1,42 l)
Vzdialenosť elektród zapalovacej sviečky	.030 palec (.76 mm)
Uťahovací moment zapalovacej sviečky	180 lb-palec (20 Nm)
Vzduchová medzera armatúry – modely s karburátorom	.008 - .012 palec (.20 - .30 mm)
Vôľa nasávacieho ventilu	.004 - .006 palec (.10 - .15 mm)
Vôľa výfukového ventilu	.004 - .006 palec (.10 - .15 mm)

MODEL: 350000	
Zdvihový objem	34.78 kubický palec (570 cm <sup>3</sup> )
Priemer valca	2.835 palec (72 mm)
Zdvih	2.756 palec (70 mm)
Objem oleja	46 - 48 unca (1,36 - 1,42 l)
Vzdialenosť elektród zapalovacej sviečky	.030 palec (.76 mm)
Uťahovací moment zapalovacej sviečky	180 lb-palec (20 Nm)
Vzduchová medzera armatúry – modely s karburátorom	.008 - .012 palec (.20 - .30 mm)
Vôľa nasávacieho ventilu	.004 - .006 palec (.10 - .15 mm)
Vôľa výfukového ventilu	.004 - .006 palec (.10 - .15 mm)

MODEL: 380000	
Zdvihový objem	38.26 kubický palec (627 cm <sup>3</sup> )
Priemer valca	2.972 palec (75,5 mm)
Zdvih	2.756 palec (70 mm)
Objem oleja	46 - 48 unca (1,36 - 1,42 l)
Vzdialenosť elektród zapalovacej sviečky	.030 palec (.76 mm)
Uťahovací moment zapalovacej sviečky	180 lb-palec (20 Nm)
Vzduchová medzera armatúry – modely s karburátorom	.008 - .012 palec (.20 - .30 mm)
Vôľa nasávacieho ventilu	.004 - .006 palec (.10 - .15 mm)
Vôľa výfukového ventilu	.004 - .006 palec (.10 - .15 mm)

Výkon motora sa zníži o 3,5 % na každých 1 000 stôp (300 metrov) nadmorskej výšky a o 1 % na každých 10 °F (5,6 °C) nad 77 °F (25 °C). Motor bude spoľahlivo pracovať pri sklone do 15°. Pozrite si návod na obsluhu zariadenia, kde sú uvedené bezpečné povolené prevádzkové limity na svahoch.

MODELY: 290000, 300000, 350000, 380000	
Servisný diel	Číslo dielu
Vzduchový filter (s palivovou nádržou, obrázok 23)	383857
Vzduchový filter (okrem modelu 380000, obrázok 22)	394018

MODELY: 290000, 300000, 350000, 380000	
Vzduchový filter (model 380000, 22)	692519
Predfilter vzduchového filtra (s palivovou nádržou, obrázok 23)	271794
Predfilter vzduchového filtra (okrem modelu 380000, obrázok 22)	272490
Predfilter vzduchového filtra (model 380000, obrázok 22)	692520
Olej – SAE 30	100028
Olejový filter	842921
Palivový filter (s palivovou nádržou)	808116
Palivový filter (s palivovým čerpadlom)	845125
Palivový filter (bez palivového čerpadla)	298090
Zapaľovacia sviečka s odporom	491055S
Platinová zapaľovacia sviečka s dlhou životnosťou	696202, 5066K
Kľúč pre zapaľovaciu sviečku	19576S
Skúšačka iskry	84003327

Odporúčame, aby ste v prípade každej údržby a servisu motora a dielov motora navštívili autorizovaného zástupcu Briggs & Stratton.

## Výkonové parametre

Celkový výkon jednotlivých benzínových motorov je označovaný v súlade s normou SAE (Spoločnosť automobilových inžinierov) J1940 Postup stanovovania výkonu a krútiaceho momentu malých motorov a určovaný v súlade s normou SAE J1995. Hodnoty krútiacich momentov sú získané pri 2 600 ot./min pre tie motory, ktoré majú na štítku uvedené „rpm“ a 3 060 ot./min pre všetky ostatné; hodnoty konštruktívnych síl sú získané pri 3 600 ot./min. Celkové výkonnostné krivky si môžete pozrieť na stránke [www.BRIGGSandSTRATTON.COM](http://www.BRIGGSandSTRATTON.COM). Hodnoty skutočného výkonu sú vypočítané s nainštalovaným filtrom vzduchu a filtrom výfukových spločin a hodnoty nominálneho výkonu boli stanovené bez týchto pripojných jednotiek. Hodnota nominálneho výkonu motora bude vyššia ako hodnota skutočného výkonu motora a okrem iného je ovplyvnená okolitými prevádzkovými podmienkami a variabilitou jednotlivých motorov. Vzhľadom na veľký počet výrobkov, v ktorých môže byť motor nainštalovaný, benzínový motor nemusí dosahovať svoj celkový nominálny výkon pri použití určitého motorového zariadenia. Tento rozdiel je zapríčinený rôznymi faktormi vrátane (okrem iného) prvkov motora (vzduchový čistič, výfuk, nabíjanie, chladenie, karburátor, palivové čerpadlo atď.), obmedzení použitia, okolitých prevádzkových podmienok (teplota, vlhkosť, nadmorská výška) a variability jednotlivých motorov. Z dôvodu výrobných a kapacitných obmedzení môže spoločnosť Briggs & Stratton nahradiť motory tejto série motormi s vyšším menovitým výkonom.

## Záruka

### Záruka na motory Briggs & Stratton®

Platná od augusta 2022

#### Obmedzená záruka

Spoločnosť Briggs & Stratton garantuje, že podľa svojho vlastného uváženia počas záručnej lehoty uvedenej dole zdarma opraví alebo vymení každý chybný diel, ak ide o materiálovú alebo výrobnú chybu či kombináciu oboch, za nový, opravený alebo repasovaný diel. Prepravné náklady výrobku predloženého na opravu alebo výmenu podľa tejto záruky musí niesť kupujúci. Táto záruka platí na obdobie a za podmienok stanovených ďalej. Pri potrebe záručného servisu môžete vyhľadať najbližšieho autorizovaného servisného zástupcu na našej mape na vyhľadávanie zástupcov na stránke [BRIGGSandSTRATTON.COM](http://BRIGGSandSTRATTON.COM). Kupujúci sa musí obrátiť na autorizovaného servisného predajcu a poskytnúť mu výrobok na kontrolu a testovanie.

Neexistuje žiadna iná výslovná záruka. Predpokladané záruky vrátane záruk predajnosti a vhodnosti pre konkrétny účel, sú obmedzené na jeden rok od kúpy, alebo v rozsahu povolenom zákonom. Všetky ostatné predpokladané záruky sú vylúčené. Zodpovednosť za náhodné alebo následné škody je vylúčená v rozsahu vylúčenia dovoleného legislatívne. Niektoré štáty alebo krajiny neumožňujú obmedzenia alebo to, ako má dlho implikovaná záruka platiť, pričom niektoré štáty alebo krajiny neumožňujú vylúčenie alebo obmedzenie náhodných alebo následných škôd, a tak sa uvedené obmedzenie nemusí na vás vzťahovať. Táto záruka vám dáva konkrétne zákonné práva a môžete mať aj ďalšie práva, ktoré sú rôzne v rôznych štátoch a krajinách.

### Štandardné záručné podmienky<sup>1, 2</sup>

<b>Vanguard®; Komerčná séria</b>
Spotrebiteľské použitie – 36 mesiacov
Komerčné použitie – 36 mesiacov
<b>Rad XR</b>
Spotrebiteľské použitie – 24 mesiacov
Komerčné použitie – 24 mesiacov

### Štandardné záručné podmienky<sup>1, 2</sup>

<b>Všetky ostatné motory s liatinovou vložkou valca Dura-Bore™</b>
Spotrebiteľské použitie – 24 mesiacov
Komerčné použitie – 12 mesiacov
<b>Všetky ďalšie motory</b>
Spotrebiteľské použitie – 24 mesiacov
Komerčné použitie – 3 mesiace

<sup>1</sup> Toto sú naše štandardné záručné podmienky, niekedy môže však existovať doplnkové krytie, ktoré nebolo stanovené v čase publikácie. Zoznam aktuálnych záručných podmienok pre svoj motor nájdete na stránke [BRIGGSandSTRATTON.COM](http://BRIGGSandSTRATTON.COM), alebo sa obráťte na svojho autorizovaného servisného zástupcu Briggs & Stratton.

<sup>2</sup> Záruka neplatí pre motory nainštalované na zariadeniach používaných ako základné zdroje elektrického prúdu namiesto elektrárenskej distribučnej spoločnosti, na záložných generátoroch používaných na komerčné účely, úžitkových vozidlách nad 25 MPH alebo motory používané pri športových pretekoch alebo na komerčných alebo nájomných pretekárskych tratiach.

\* V Austrálii – náš tovar sa dodáva so zárukami, ktoré nemôžu byť vylúčené podľa austrálskeho zákona na ochranu spotrebiteľov. Máte nárok na výmenu alebo vrátenie peňazí v prípade závažnej poruchy a na náhradu primerane predvídateľných strát alebo škôd. Tiež máte nárok na opravu alebo výmenu tovaru, ak opravený alebo vymenený tovar nedosahuje prijateľnú kvalitu, aj ak porucha takéhoto tovaru nepredstavuje závažnú poruchu. Ak potrebujete vykonať záručný servis, na našej mape na vyhľadávanie zástupcov na stránke [BRIGGSandSTRATTON.COM](http://BRIGGSandSTRATTON.COM) vyhľadajte najbližšieho autorizovaného servisného zástupcu alebo zavolajte na tel. č. 1300 274 447, alebo pošlite email na adresu [salesenquiries@briggsandstratton.com.au](mailto:salesenquiries@briggsandstratton.com.au), alebo napíšte na adresu Briggs & Stratton Australia Pty Ltd, 1 Moorebank Avenue, Moorebank, NSW, Austrália, 2170.

Záručná lehota sa začína dňom zakúpenia prvým maloobchodným spotrebiteľom alebo komerčným koncovým užívateľom a trvá čas uvedený v tabuľke vyššie. „Spotrebiteľské použitie“ znamená používanie maloobchodným spotrebiteľom v rámci osobného, domáceho použitia. „Komerčné použitie“ znamená všetky ostatné použitia, vrátane používania na komerčné účely, zárobkovú činnosť alebo na účely prenajímania. Keď už bol raz motor použitý na komerčné účely, tak pre účely tejto záruky bude považovaný za komerčne používaný motor.

**Na získanie záruky na výrobky značky Briggs & Stratton nie je potrebná žiadna registrácia záruky. Uschovajte si doklad o nákupe. Ak počas vykonávania záručného servisu neposkytnete doklad o prvotnom nákupe s uvedeným dátumom, na účel stanovenia záruky sa použije dátum výroby výrobku.**

#### O vašej záruke

Táto záruka platí iba na chybný materiál alebo nesprávne spracovanie materiálu motora a nie na výmenu alebo preplatenie zariadenia, na ktorom môže byť motor namontovaný. Táto záruka sa nevzťahuje na bežnú údržbu, nastavovanie alebo normálne opotrebenie a poškodenie. Podobne záruka neplatí, ak bol motor pozmenený alebo opravený, alebo ak bolo poškodené alebo odstránené výrobné číslo motora. Táto záruka neplatí na poškodenie motora alebo problémy s výkonom spôsobené:

1. Použitím dielov, ktoré nie Briggs & Stratton
2. Prevádzkovaním motora, v ktorom je nevhodný, znečistený olej, alebo olej nesprávnej triedy;
3. Použitím znečisteného alebo zvetraného paliva, benzínu s viac než 10 % prímiešaného etanolu alebo používaním alternatívnych palív, ako napríklad skvapalneného plynu alebo zemného plynu, v motoroch, ktoré neboli pôvodne navrhnuté/vyrobené spoločnosťou Briggs & Stratton na používanie týchto alternatívnych palív;
4. Špinou, ktorá vnikla do motora z dôvodu nesprávnej údržby alebo nesprávneho zmontovania vzduchového filtra;
5. Nárazom rotačného noža kosačky na trávu do pevného predmetu, uvoľnením alebo nesprávnym namontovaným adaptérom noža, uvoľneným ozubeným kolesom, alebo inými dielmi mechanicky spojenými s kľukovým hriadeľom, alebo príliš silno napnutým klinovým remeňom;
6. Mechanicky pripojenými dielmi alebo zostavami, ako sú spojky, prevodovky, ovládacie prvky zariadenia, na ktorom je namontovaný motor atď., ktoré nie sú dodané spoločnosťou Briggs & Stratton;
7. Prehriatím spôsobeným pokosenou trávou, špinou alebo hniezdami hľadavcov, ktoré upchávajú alebo zanesú chladiace rebrá, alebo priestor zotrvačnika, alebo nedostatočným vzduchovým chladením pracujúceho motora;
8. Nadmernými vibráciami spôsobenými príliš vysokými otáčkami, uvoľneným uchytaním motora, uvoľnenými alebo nevyváženými nožmi alebo ozubenými kolesami, alebo nesprávnym pripojením dielov zariadenia, na ktorom je namontovaný motor, ku kľukovému hriadeľu;
9. Nesprávnym používaním, nedostatočnou bežnou údržbou, nesprávnou prepravou, manipuláciou alebo skladovaním zariadenia, na ktorom je namontovaný motor, alebo nesprávnou montážou motora do zariadenia.



Záručný servis je k dispozícii len prostredníctvom autorizovaných servisných zástupcov spoločnosti Briggs & Stratton. Vyhľadajte svojho najbližšieho autorizovaného servisného zástupcu prostredníctvom našej mapy na vyhľadávanie zástupcov na stránke spoločnosti BRIGGSandSTRATTON.COM, alebo zavolajte na tel. č. 1-800-444-7774 (v USA).

80114782 (Revízia A)

Not for reproduction

## Splošne informacije



Ta priročnik vsebuje varnostne informacije o tveganjih in nevarnostih, povezanih z motorjem, ter načinih za njihovo preprečevanje. Vsebuje tudi navodila o pravilni uporabi in vzdrževanju motorja. Pomembno je, da jih preberete, razumete in upoštevate. **Ta priročnik obdržite za nadaljnjo referenco.**

**OPOMBA:** Slike in ilustracije v tem priročniku so le informativne in se lahko razlikujejo od vašega modela. Upoštevajte slike, ki ustrezajo konfiguraciji vašega motorja. Po potrebi se posvetujte s pooblaščenim serviserjem.

Za nadomestne dele si zabeležite datum nakupa, model, tip in opremo motorja ter njegovo serijsko številko. Te številke do na motorju. Glejte poglavje **Deli in upravljalni elementi**.

Datum nakupa	
Model, tip in oprema motorja	
Serijska številka motorja	

## Podatki za stik z evropsko pisarno

Za vprašanja v zvezi z evropskimi emisijami stopite v stik z našo evropsko pisarno:

Max-Born-Straße 2, 68519 Viernheim, Nemčija.

## Stopnja V (5) Evropske unije (EU): Vrednosti ogljikovega dioksida (CO<sub>2</sub>)

Vnesite CO<sub>2</sub> v iskalno okence na BriggsandStratton.com, da najdete vrednosti ogljikovega dioksida motorjev Briggs & Stratton s certifikati EU za odobritev tipa.

## Informacije o recikliranju

		Reciklirajte vse zaboje, škatle, izrabljeno olje in akumulatorje, kot določajo državni predpisi.
--	--	--

## Varnost upravljavca

### Varnostni opozorilni simboli in opozorilne besede



Varnostni opozorilni simbol označuje varnostne informacije o nevarnostih, ki bi lahko povzročile telesne poškodbe. Signalna beseda (**NEVARNOST**, **OPOZORILO** ali **POZOR**) se uporablja za opozarjanje na verjetnost in potencialno resnost telesne poškodbe. Poleg tega se za označevanje vrste tveganja uporablja tudi simbol za tveganje.

**NEVARNOST** opozarja na nevarnost, **ki bo**, če se ji ne izognemo, povzročila smrt ali težko poškodbo.

**OPOZORILO** opozarja na nevarnost, **ki bi lahko**, če se ji ne izognemo, povzročila smrt ali težke poškodbe.

**POZOR** nakazuje tveganje, **ki lahko** v primeru, če se mu ne izognemo, povzroči manjšo ali srednje resno poškodbo.

**OPOMBA** označuje informacije, ki veljajo za pomembne, vendar niso povezane z nevarnostjo.

## Simboli za nevarnost in njihov pomen

	Varnostni podatki o nevarnostih, ki lahko povzročijo telesne poškodbe.		Pred uporabo ali servisiranjem naprave preberite priročnik za uporabnika in se seznanite s celotno vsebino.
	Nevarnost požara		Tveganje eksplozije
	Nevarnost električnega udara		Tveganje izpusta strupenih plinov

	Tveganje zaradi vroče površine		Nevarnost povratnega sunka
	Nevarnost amputacije – gibljivi deli		Raven goriva – največja Ne dolijte prevelike količine

## Varnostna sporočila



### OPOZORILO

Motorji podjetja Briggs & Stratton® niso zasnovani in namenjeni za pogon: kartov za prosti čas; gokartov; otroških, rekreativnih ali športnih terenskih vozil (ATV); motornih koles; vozil na zračno blazino; zrakoplovnih izdelkov; ali vozil, uporabljenih na tekmovanjih, ki jih ni odobrilo podjetje Briggs & Stratton. Za informacije o izdelkih za tekmovalno dirkanje si oglejte [www.briggsracing.com](http://www.briggsracing.com). Za uporabo večnamenskih vozil in štirikolesnikov s sopotnikovim sedežem vzporedno z voznikovim (side-by-side) se obrnite na center podjetja Briggs & Stratton za svetovanje glede uporabe moči (1-866-927-3349). Nepravilna uporaba motorja lahko povzroči smrt ali hude poškodbe.



### OPOZORILO

Gorivo in njegovi hlapi so vnetljivi in eksplozivni. Ogenj ali eksplozija lahko povzročita opekline ali smrt.

### Ko dolivate gorivo

- Ustavite motor. Preden odstranite pokrovček rezervoarja za gorivo, počakajte vsaj dve (2) minuti, da se prepričate, da je motor hladen.
- Rezervoar za gorivo polnite na prostem ali v prostoru, ki ima dober pretok zraka.
- Ne dolijte veliko goriva v rezervoar za gorivo. Zaradi širjenja goriva napolnite le do spodnjega roba vratu rezervoarja za gorivo.
- Gorivo hranite proč od iskrenja, odprtega plamena, kontrolnih lučk, toplote in drugih vnetljivih virov.
- Pogosto pregledujte, ali so vodi za gorivo, rezervoar za gorivo, pokrovček rezervoarja za gorivo in povezave razpokane oziroma ali puščajo. Poškodovane dele zamenjajte.
- Če se gorivo razlije, počakajte, da se posuši, preden zaženete motor.

### Ko zaženete stroj

- Prepričajte se, da so vžigalna svečka, dušilnik zvoka, pokrovček rezervoarja za gorivo in čistilnik zraka (če je vključen) ustrezno nameščeni.
- Motorja ne poskušajte vžigati, ko je vžigalna svečka odstranjena.
- Če je motor zalit, nastavite loputo za hladni zagon (če je nameščen) v položaj ODPRTO ali ZAŽENI. Dušilno loputo (če je nameščena) prestavite v položaj HITRO in motor poganjajte, dokler se ne zažene.
- Če v okolici pušča zemeljski ali utekočinjeni naftni plin, motorja ne zaganjajte.
- Ker so hlapi vnetljivi, ne uporabljajte zagonskih tekočin pod tlakom.

### Ko uporabljate stroj

- Motorja ali stroja ne nagibajte pod kotom, ki bi povzročil razlitje goriva.
- Za zaustavitev motorja ne dušite uplinjača (če obstaja).
- Motorja ne zaganjajte oziroma ga ne uporabljajte, kadar je čistilnik zraka (če obstaja) oziroma zračni filter (če obstaja) odstranjen.

### Ko izvajate vzdrževanje

- Če olje praznite skozi cev za dolivanje olja na vrhu, mora biti rezervoar za gorivo prazen. Če ni prazen, lahko pride do iztekanja goriva, kar lahko povzroči požar ali eksplozijo.
- Če je treba med vzdrževanjem nagniti enoto, se prepričajte, da je rezervoar za gorivo, če je nameščen na motor, prazen in da je stran z vžigalno svečko zgoraj. Če rezervoar za gorivo ni prazen, lahko pride do iztekanja, kar lahko povzroči požar ali eksplozijo.
- Pogosto pregledujte, ali so vodi za gorivo, rezervoar za gorivo, pokrovček rezervoarja za gorivo in povezave razpokane oziroma ali puščajo. Poškodovane dele zamenjajte.
- Vrtljajev motorja ne povečujte s spreminjanjem krmilne vzmeti, povezav ali drugih delov.
- Ne udarjajte vztrajnika s kladivom ali trdim predmetom. To lahko povzroči okvaro vztrajnika med delovanjem.
- Nadomestni deli morajo biti enaki in nameščeni v enakem položaju kot prvotni deli. Drugi deli lahko povzročijo škodo ali telesne poškodbe.

### Ko prestavljate stroj

- Prepričajte se, da je rezervoar za gorivo PRAZEN oziroma da je zaporni ventil za gorivo v položaju ZAPRTO.

## Ko je gorivo ali stroj shranjen z gorivom v rezervoarju za gorivo

- Ker lahko kontrolne lučke ali drugi viri vžiga povzročijo eksplozije, shranjujte gorivo stran od peči, štedilnikov, grelnikov za vodo ali drugih naprav, ki imajo kontrolne lučke.



**OPOZORILO**  
Gorivo in njegovi hlapi so vnetljivi in eksplozivni. Ogenj ali eksplozija lahko povzročita opekline ali smrt.

Zagon motorja ustvari iskro, ki lahko povzroči požar ali eksplozijo.

- Če v okolici pušča zemeljski ali utekočinjeni naftni plin, motorja ne zaganjajte.
- Ker so hlapi vnetljivi, ne uporabljajte zagonskih tekočin pod tlakom.



**OPOZORILO**  
**NEVARNOST ZARADI STRUPENIH PLINOV.** Izpuh motorja vsebuje ogljikov monoksid, strupen plin, ki vas lahko ubije v nekaj minutah. Čeprav ne zaznate vonja izpušnih plinov, ste lahko kljub temu izpostavljeni nevarnemu ogljikovemu monoksidu. Če vam je med uporabo tega izdelka slabo oziroma začutite omotico ali slabotnost, pojdite TAKOJ na svež zrak. Poiščite zdravniško pomoč. Morda ste se zastrupili z ogljikovim monoksidom.

- Ogljikov monoksid se lahko nakopiči v zaprtih prostorih. Da zmanjšate nevarnost kopičenja ogljikovega monoksida, ta izdelek uporabljajte LE zunaj in daleč stran od oken, vrat ali prezračevalnih odprtín.
- Namestite baterijske alarme za ogljikov monoksid ali alarme ogljikovega monoksida za vtičnico z baterijo v rezervi, kot je določeno v navodilih proizvajalca. Dimni alarmi ne morejo zaznati ogljikovega monoksida.
- Izdelka NE zaganjajte doma, v garažah, kletah, kletih z nizkim stropom, utah ali drugih zaprtih prostorih, četudi jih prezračujete z ventilatorji ali z odpiranjem oken in vrat. Po uporabi tega izdelka se lahko ogljikov monoksid hitro nakopiči v teh prostorih ter ostane tam še več ur.
- Ta izdelek VEDNO postavite tako, da bo veter pihal stran od njega, izpuh motorja pa naj bo obrnjen stran od mest, kjer se nahajajo ljudje.



**OPOZORILO**  
Hiter povratni vlek zaganjalne vrvi (povratni sunek) potegne roko proti motorju hitreje, kot lahko spustite ročko. Lahko pride do zloma kosti, zmečkanin ali izpaha.

- Da preprečite povratni sunek pri zagonu motorja, počasi vlecite zaganjalno vrv, dokler ne začutite upora, nato pa jo povlecite hitro.
- Pred zagonom motorja odklopite ali odstranite vso zunanjo opremo in bremena motorja.
- Prepričajte se, da so neposredno priključeni sestavni deli stroja, kot so na primer rezila, rotorji, jermenice, verižniki itd., dobro pritrjeni.



**OPOZORILO**  
Vrtljivi deli se lahko zapletejo v roke, noge, lase, oblačila ali dodatke ter povzročijo travmatično amputacijo ali rane.

- Stroj uporabljajte s pravilno nameščenimi ščitniki.
- Pazite, da vaše roke in noge ne pridejo blizu vrtečih se delov.
- Odstranite nakit in se prepričajte, da dolgi lasje niso v bližini katerih koli vrtljivih delov.
- Ne nosite ohlapnih oblačil ali predmetov, ki bi se lahko ujeli.



**OPOZORILO**  
Med delovanjem se motor in dušilnik zvoka zelo segrejeta. Če se dotaknete vročega motorja, lahko pride do opeklin.

Gorljivi materiali, kot so listje, trava, dračje itd., se lahko vnamejo.

- Preden se dotaknete motorja ali dušilnika zvoka, ustavite motor in počakajte dve (2) minuti. Prepričajte se, da se je varno dotakniti motorja in dušilnika zvoka.
- Odstranite smeti iz dušilnika zvoka in motorja.

Po Oddelku 4442 kalifornijskega Zakona o javnih virih (Public Resource Code) je motorne naprave prepovedano uporabljati na vseh gozdnih, grmičastih in travnatih površinah, če nameščen izpušni sistem ni opremljen z lovilec isker, ki je določen v oddelku 4442, in ustrezno vzdrževan v dobrem delovnem stanju. Druge države ali zvezne oblasti imajo lahko podobne zakone. Glejte zvezni predpis 36 CFR, oddelek 261.52. Obrnite se na proizvajalca, prodajalca ali trgovca originalne opreme, da vam priskrbi originalni lovilec isker, zasnovan za izpušni sistem, ki je nameščen na tem motorju.



**OPOZORILO**  
Nenamerno iskenje lahko povzroči električni udar, požar ali eksplozijo in lahko povzroči zapletanje, travmatično amputacijo ali raztrganine.

Pred izvedbo nastavitve ali popravil:

- Odklopite vse kable vžigalnih svečk in jih hranite stran od vžigalnih svečk.
- Kabel akumulatorja odklopite z negativnega priključka akumulatorja (samo pri motorjih z električnim zagonom).
- Uporabljajte le ustrezno orodje.

Ko preverjate iskenje:

- Uporabljajte odobreno napravo za preizkušanje vžigalne svečke.
- Iskenja ne preverjajte, kadar so vžigalne svečke odstranjene.



**OPOZORILO**  
Hlapi goriva so vnetljivi in eksplozivni. Ogenj ali eksplozija lahko povzročita opekline ali smrt.

Če vohate plin

- Ne zaganjajte motorja.
- Ne vkaplajte električnih stikal.
- V bližini ne uporabljajte telefona.
- Zapustite območje.
- Pokličite dobavitelja plina ali gasilce.

## Deli in upravljalni elementi


### Upravljalni elementi motorja

Primerjajte oblačke na slikah 1, 2, 3 in 4 na upravljalnih elementih motorja na spodnjem seznamu:

- A. Identifikacijske številke motorja **Model – Tip – Koda**
- B. Vžigalna svečka
- C. Zračni filter (brez rezervoarja za gorivo)
- D. Zračni filter (z rezervoarjem za gorivo)
- E. Merilna palica
- F. Odprtina za dolivanje olja
- G. Oljni filter (če je nameščen)
- H. Čep za izpust olja
- I. Tipalo tlaka olja
- J. Ščitnik za prste
- K. Električni zaganjalnik
- L. Ročni zaganjač (če je nameščen)
- M. Uplinjač - Modeli z uplinjačem
- N. Dušilec hrupa
- O. Črpalka za gorivo
- P. Stikalo zaganjalnika<sup>1</sup>
- Q. Regulator plina<sup>1</sup>
- R. Ročica za hladen vžig<sup>1</sup>
- S. Filter goriva (če je nameščen)
- T. Rezervoar za gorivo
- U. Zaporni ventil za gorivo (če je nameščen)<sup>1</sup>
- V. Zaporno stikalo (če je nameščen)<sup>1</sup>
- W. Hladilnik olja (če je nameščen)
- X. Modul črpalke za gorivo - Modeli EFI
- Y. Elektronski krmilni modul - Modeli EFI
- Z. Šoba za vbrzgovanje goriva - Modeli EFI

<sup>1</sup> Nekateri motorji in stroji imajo regulatorje za daljinsko upravljanje. Za mesto in delovanje elementov za daljinsko upravljanje si oglejte priročnik stroja.

## Simboli za upravljanje motorja in njihovi pomeni

 Vrtljaji motorja – VISOKI	 Vrtljaji motorja – NIZKI
 Vrtljaji motorja – ZAUSTAVITEV	 VKLOP – IZKLOP
 Zagon motorja Loputa za hladen zagon ZAPRTA	 Zagon motorja Loputa za hladen zagon ODPRTA
 Pokrovček za gorivo Zaporni ventil za gorivo ODPRT	 Zaporni ventil za gorivo ZAPRT

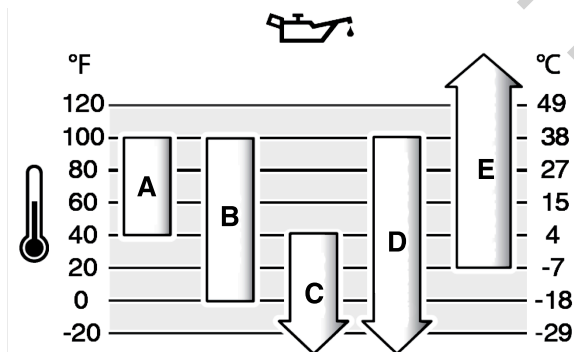
## Delovanje

### Priporočila za olje

**Količina olja:** Glejte poglavje *Specifikacije*.

Za najboljšo učinkovitost priporočamo uporabo garancijsko potrjenih olj podjetja Briggs & Stratton®. Druga visokokakovostna detergentna olja so dovoljena, če so razvrščena kot olja razredov SF, SG, SH, SJ ali višje. Ne uporabljajte posebnih dodatkov.

S pomočjo diagrama izberite najboljšo viskoznost za pričakovan temperaturni razpon na prostem. Motorji, ki so nameščeni v večini zunanjih strojev, dobro delujejo s sintetičnim oljem 5W-30. Strojem, ki delujejo pri visokih temperaturah, najboljšo zaščito zagotavlja sintetično olje Vanguard® 15W-50.



<b>A</b>	<b>SAE 30</b> – Pri temperaturah pod 40 °F (4 °C) bo uporaba olja SAE 30 povzročila težji zagon.
<b>B</b>	<b>10W-30</b> – Nad 80 °F (27 °C) lahko uporaba olja 10W-30 povzroči povečano porabo olja. Raven olja preverjajte pogosto.
<b>C</b>	<b>5W-30</b>
<b>D</b>	<b>Sintetično olje 5W-30</b>
<b>E</b>	<b>Sintetično olje Vanguard® 15W-50</b>

## Preverite raven olja

**Preden preverite ali dolijete olje**

- Motor mora biti v vodoravnem položaju.
- Očistite smeti na površini okoli odprtine za dolivanje olja.
- Za količino olja si ogledajte poglavje *Specifikacije*.

### OPOMBA

Podjetje Briggs & Stratton je motor dobavilo brez olja. Proizvajalci ali prodajalci opreme so morda v motor dolili olje. Pred prvim zagonom motorja se prepričajte, da je olje na ustreznih ravni. Dolijte olje, kot je navedeno v navodilih v tem priročniku. Če zaženete motor brez olja, se ta poškoduje in ga ni mogoče popraviti v okviru garancije.

1. Odstranite merilno palico (A, slika 5) in jo očistite s krpo.
2. Vstavite in privijte merilno palico (A, slika 5).
3. Izvlecite merilno palico in preverite raven olja. Prepričajte se, da raven olja dosega vrh oznake POLNO (B, slika 5) na merilni palici.
4. Če je olja premalo, ga počasi nalivajte v odprtino za dolivanje olja (C, slika 5). Ne dolijte preveč olja.

5. Počakajte eno minuto in ponovno preverite raven olja. Prepričajte se, da je raven olja ustrezen.
6. Vstavite in privijte merilno palico (A, slika 5).

## Sistem za nadzor prenizke ravni olja (če je nameščen)

Na nekaterih motorjih je nameščeno tipalo za nizko raven olja. Če je raven olja nizka, tipalo prikaže opozorilno lučko ali ustavi motor. Ustavite motor in izvedite korake, preden zaženete motor.

- Motor mora biti v vodoravnem položaju.
- Preverite olje. Glejte poglavje *Preverjanje ravnih olja*.
- Če je raven olja nizka, dodajte ustrezno količino olja. Zaženite motor in se prepričajte, da se opozorilna lučka (če je nameščena) ne prižge.
- Če opozorilna lučka sveti in raven olja ni nizka, ne zaženite motorja. Za odpravo težave z oljem se obrnite na pooblaščenega servisierja podjetja Briggs & Stratton.

## Priporočila glede goriva

**Gorivo mora izpolnjevati te zahteve:**

- Čist, svež neosvinčen bencin.
- Uporabljajte najmanj 87-oktanski bencin (87 AKI (91 RON)). Navodila za uporabo na visoki nadmorski višini si ogledajte spodaj.
- Dovoljen je bencin z največ 10 % etanola (gazohola).

### OPOMBA

Ne uporabljajte neodobrenih vrst bencina, kot sta na primer E15 in E85. Ne mešajte olja v bencin oziroma ne predelajte motorja tako, da bi deloval z drugimi gorivi. Uporaba neodobrenih goriv lahko povzroči poškodbe delov motorja, kar ni mogoče popraviti v okviru garancije.

Za zaščito sistema za gorivo pred smolnatimi usedlinami in korozijo gorivu primešajte stabilizator goriva brez vsebnosti alkohola in etanolno raztopino. Glejte poglavje *Shranjevanje*. Niso vsa goriva enaka. Če pri zaganjanju ali delovanju pride do težav, zamenjajte dobavitelja oziroma znamko goriva. Motor je certificiran za delovanje z bencinom. Sistem za nadzor emisij za karburirane motorje je EM (Spremembe motorja). Sistemi za nadzor emisij z elektronskim vbrzganjem goriva so ECM (nadzorni modul motorja), MFI (vbrzganje skozi več odprtih), TBI (vbrzganje skozi ohišje dušilne lopute) in če je vgrajen, O2S (Senzor kisika).

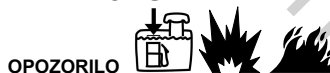
### Visoka nadmorska višina

Na nadmorski višini nad 1524 metrov (5000 čevljev) je dovoljen najmanj 85-oktanski/85 AKI (89 RON) bencin.

Pri motorjih z uplinjačem je treba izvesti prilagoditev za visoke nadmorske višine, da bi ohranili ustrezno učinkovitost delovanja. Delovanje brez teh nastavitvev povzroči zmanjšanje učinkovitosti, povečano porabo goriva in povečane emisije. Za informacije o prilagoditvi za visoke nadmorske višine se obrnite na pooblaščenega prodajalca Briggs & Stratton. Motorja s prilagoditvijo za visoko nadmorsko višino ni priporočljivo uporabljati pri nadmorski višini pod 2500 čevljev (762 metrov).

Pri motorjih z elektronskim vbrzganjem goriva (EFI) predelava za uporabo na visoki nadmorski višini ni potrebna.

## Dolivanje goriva



### OPOZORILO

**Gorivo in njegovi hlapi so vnetljivi in eksplozivni. Ogenj ali eksplozija lahko povzročita opekline ali smrt.**

**Ko dolivate gorivo**

- Ustavite motor. Preden odstranite pokrovček rezervoarja za gorivo, počakajte vsaj dve (2) minuti, da se prepričate, da je motor hladen.
- Rezervoar za gorivo polnite na prostem ali v prostoru, ki ima dober pretok zraka.
- Ne dolijte veliko goriva v rezervoar za gorivo. Zaradi širjenja goriva napolnite le do spodnjega roba vratu rezervoarja za gorivo.
- Gorivo hranite proč od iskrenja, odprtega plamena, kontrolnih lučk, toplote in drugih vnetljivih virov.
- Pogosto pregledujte, ali so vodi za gorivo, rezervoar za gorivo, pokrovček rezervoarja za gorivo in povezave razpokane oziroma ali puščajo. Poškodovane dele zamenjajte.
- Če se gorivo razlije, počakajte, da se posuši, preden zaženete motor.

1. Očistite umazanijo in smeti na površini okoli pokrova rezervoarja. Odstranite pokrovček rezervoarja za gorivo.
2. Rezervoar za gorivo (A, slika 6) napolnite z gorivom. Napolnite ga le do spodnjega roba vratu rezervoarja za gorivo (B), ker se gorivo širi.
3. Namestite pokrovček rezervoarja za gorivo.

## Zagon motorja



### OPOZORILO

Nenamerno iskenje lahko povzroči električni udar, požar ali eksplozijo in lahko povzroči zapletanje, travmatično amputacijo ali raztrganine.

#### Pred izvedbo nastavitve ali popravil:

- Odklopite vse kable vžigalnih svečk in jih hranite stran od vžigalnih svečk.
- Kabel akumulatorja odklopite z negativnega priključka akumulatorja (samo pri motorjih z električnim zagonom).
- Uporabljajte le ustrezno orodje.

#### Ko preverjate iskenje:

- Uporabljajte odobreno napravo za preizkušanje vžigalne svečke.
- Iskenja ne preverjajte, kadar so vžigalne svečke odstranjene.



### OPOZORILO

Hiter povratni vlek zaganjalne vrvi (povratni sunek) potegne roko proti motorju hitreje, kot lahko spustite ročko. Lahko pride do zloma kosti, zmečkanin ali izpaha.

- Da preprečite povratni sunek pri zagonu motorja, počasi vlecite zaganjalno vrv, dokler ne začutite upora, nato pa jo povlecite hitro.
- Pred zagonom motorja odklopite ali odstranite vso zunanjo opremo in bremena motorja.
- Prepričajte se, da so neposredno priključeni sestavni deli stroja, kot so na primer rezila, rotorji, jermenice, verižniki itd., dobro pritrjeni.



### OPOZORILO

**NEVARNOST ZARADI STRUPENIH PLINOV.** Izpuh motorja vsebuje ogljikov monoksid, strupen plin, ki vas lahko ubije v nekaj minutah. Čeprav ne zaznate vonja izpušnih plinov, ste lahko kljub temu izpostavljeni nevarnemu ogljikovemu monoksidu. Če vam je med uporabo tega izdelka slabo oziroma začutite omotico ali slabotnost, pojdite TAKOJ na svež zrak. Poiščite zdravniško pomoč. Morda ste se zastrupili z ogljikovim monoksidom.

- Ogljikov monoksid se lahko nakopiči v zaprtih prostorih. Da zmanjšate nevarnost kopičenja ogljikovega monoksida, ta izdelek uporabljajte LE zunaj in daleč stran od oken, vrat ali prezračevalnih odprtín.
- Namestite baterijske alarme za ogljikov monoksid ali alarme ogljikovega monoksida za vtičnico z baterijo v rezervi, kot je določeno v navodilih proizvajalca. Dimni alarmi ne morejo zaznati ogljikovega monoksida.
- Izdelka NE zaganjajte doma, v garažah, kletih, kletih z nizkim stropom, utah ali drugih zaprtih prostorih, četudi jih prezračujete z ventilatorji ali z odpiranjem oken in vrat. Po uporabi tega izdelka se lahko ogljikov monoksid hitro nakopiči v teh prostorih ter ostane tam še več ur.
- Ta izdelek VEDNO postavite tako, da bo veter pihal stran od njega, izpuh motorja pa naj bo obrnjen stran od mest, kjer se nahajajo ljudje.

#### OPOMBA

Podjetje Briggs & Stratton je motor dobavilo brez olja. Proizvajalci ali prodajalci opreme so morda v motor dolili olje. Pred prvim zagonom motorja se prepričajte, da je olje na ustrezni ravni. Dolijte olje, kot je navedeno v navodilih v tem priročniku. Če zaženete motor brez olja, se ta poškoduje in ga ni mogoče popraviti v okviru garancije.

**OPOMBA:** Vaš stroj ima lahko elemente za daljinsko upravljanje. Za mesto in delovanje elementov za daljinsko upravljanje glejte priročnik stroja.

#### Tipi zagonskih sistemov

Preden zaženete motor, morate poznati tip zagonskega sistema na vašem motorju. Vaš motor ima enega od teh vrst sistemov.

- **Elektronsko vbrizgavanje goriva (EFI):** Sistem EFI nima dušilne lopute ali črpalke za hladni zagon.
- **Sistem elektronskega vbrizgavanja goriva:** Sistem za elektronski nadzor dovajanja goriva ima elektronsko krmlino enoto, ki nadzoruje stanje motorja in temperature Nima ročne dušilne lopute ali črpalke za hladni zagon.
- **Sistem dušilne lopute:** Ta sistem pri nizkih temperaturah uporablja dušilno loputo. Nekateri modeli imajo ločeno ročico za dušilno loputo, nekateri pa imajo drugi kombinirano ročico za dušilno loputo in reguliranje plina. Ta tip nima črpalke za hladni zagon.

## Elektronsko vbrizgavanje goriva (EFI)

1. Preverite motorno olje. Oglejte si poglavje **Preverjanje ravnih olja**.
2. Poskrbite, da bodo upravljalni elementi za pogon opreme, če obstajajo, sproščeni.
3. Zaporni ventil za gorivo (A, slika 7), če obstaja, obrnite v položaj ODPRTO.
4. Stikalo za zaustavitev (F, sliki 7, 8), če obstaja, premaknite v položaj VKLJUČI.
5. Regulator plina (B, slika 8), če obstaja, premaknite v položaj za HITRO delovanje. Med delovanjem motorja naj bo regulator plina v položaju HITRO za hitro delovanje.

6. **Povratni zaganjalnik, če obstaja, s stikalom na ključ:** Stikalo na ključ (D, sliki 7, 8) obrnite v položaj VKLJUČI.
7. **Povratni zaganjalnik, če je nameščen:** Trdno primate ročico zaganjalne vrvi (E, sliki 7, 8). Počasi vlecite zaganjalno vrv, dokler ne začutite upora, nato jo sunkovito povlecite.



### OPOZORILO

Zaradi hitrega povratnega vleka zaganjalne vrvi (povratni sunek) vam roko potegne proti motorju hitreje, kot lahko spustite zaganjalno vrv. Zato lahko pride do zlomov kosti, nalomov, modric ali zvinov. Da preprečite povratni sunek pri zagonu motorja, počasi vlecite zaganjalno vrv, dokler ne začutite upora, nato pa jo povlecite hitro.

8. **Električni zaganjalnik, če obstaja:** Stikalo za električni zagon (D, slika 7, 8) obrnite v položaj VKLJUČI ali ZAŽENI.

**OPOMBA** Če želite podaljšati življenjsko dobo zaganjalnika, napravo zaganjajte v kratkih zagonskih ciklih (največ po pet sekund). Med zagonskimi cikli počakajte eno minuto.

Če se motor po 3 ali 4 poskusih zagona ne zažene, stopite v stik s svojim lokalnim prodajalcem, obiščite [vanguardpower.com](http://vanguardpower.com) ali pokličite 1-800-999-9333.

## Sistem elektronskega vbrizgavanja goriva

1. Preverite motorno olje. Oglejte si poglavje **Preverjanje ravnih olja**.
2. Poskrbite, da bodo upravljalni elementi za pogon opreme, če obstajajo, sproščeni.
3. Zaporni ventil za gorivo (A, slika 7), če obstaja, obrnite v položaj ODPRTO.
4. Stikalo za zaustavitev (F, sliki 7, 8), če obstaja, premaknite v položaj VKLJUČI.
5. Regulator plina (B, slika 8), če obstaja, premaknite v položaj za HITRO delovanje. Med delovanjem motorja naj bo regulator plina v položaju HITRO za hitro delovanje.
6. **Povratni zaganjalnik, če obstaja, s stikalom na ključ:** Stikalo na ključ (D, sliki 7, 8) obrnite v položaj VKLJUČI.
7. **Povratni zaganjalnik, če je nameščen:** Trdno primate ročico zaganjalne vrvi (E, sliki 7, 8). Počasi vlecite zaganjalno vrv, dokler ne začutite upora, nato jo sunkovito povlecite.



### OPOZORILO

Zaradi hitrega povratnega vleka zaganjalne vrvi (povratni sunek) vam roko potegne proti motorju hitreje, kot lahko spustite zaganjalno vrv. Zato lahko pride do zlomov kosti, nalomov, modric ali zvinov. Da preprečite povratni sunek pri zagonu motorja, počasi vlecite zaganjalno vrv, dokler ne začutite upora, nato pa jo povlecite hitro.

8. **Električni zaganjalnik, če obstaja:** Stikalo za električni zagon (D, slika 7, 8) obrnite v položaj VKLJUČI ali ZAŽENI.

**OPOMBA** Če želite podaljšati življenjsko dobo zaganjalnika, napravo zaganjajte v kratkih zagonskih ciklih (največ po pet sekund). Med zagonskimi cikli počakajte eno minuto.

Če se motor po 3 ali 4 poskusih zagona ne zažene, stopite v stik s svojim lokalnim prodajalcem, obiščite [vanguardpower.com](http://vanguardpower.com) ali pokličite 1-800-999-9333.

## Sistem dušilne lopute

1. Preverite motorno olje. Oglejte si poglavje **Preverjanje in dolivanje olja**.
2. Poskrbite, da bodo upravljalni elementi za pogon opreme, če obstajajo, sproščeni.
3. Zaporni ventil za gorivo (A, slika 7), če obstaja, obrnite v položaj ODPRTO.
4. Stikalo za zaustavitev (F, sliki 7, 8), če obstaja, premaknite v položaj VKLJUČI.
5. Regulator dušilne lopute (B, slika 7), če obstaja, premaknite v položaj za HITRO delovanje. Med delovanjem motorja naj bo regulator plina v položaju HITRO za hitro delovanje.
6. Regulator dušilne lopute (C, sliki 9, 10) premaknite v položaj ZAPRTO.

**OPOMBA:** Loputa za hladen zagon običajno ni potrebna, če zaganjate topel motor.

7. **Povratni zaganjalnik, če obstaja, s stikalom na ključ:** Stikalo na ključ (D, sliki 7, 8) obrnite v položaj VKLJUČI.



8. **Povratni zaganjalnik, če je nameščen:** Trdno primite ročico zaganjalne vrvi (E, sliki 7, 8). Počasi vlecite zaganjalno vrv (E), dokler ne začutite upora, nato jo sunkovito povlecite.



#### OPOZORILO

Zaradi hitrega povratnega vleka zaganjalne vrvi (povratni sunek) vam roko potegne proti motorju hitreje, kot lahko spustite zaganjalno vrv. Zato lahko pride do zlomov kosti, nalomov, modric ali zvinov. Da preprečite povratni sunek pri zagonu motorja, počasi vlecite zaganjalno vrv, dokler ne začutite upora, nato pa jo povlecite hitro.

9. **Električni zagon, če obstaja:** Stikalo na ključ (D, sliki 7, 8) obrnite v položaj VKLJUČI ali ZAŽENI.

#### OPOMBA

Če želite podaljšati življenjsko dobo zaganjalnika, napravo zaganjajte v kratkih zagonskih ciklih (največ po pet sekund). Med zagonskimi cikli počakajte eno minuto.

10. Ko se motor ogreje, obrnite ročico za hladen vžig (C, sliki 9, 10) v položaj ODPRTO.

**OPOMBA:** Če se motor po 2–3 poskusih zagona ne zažene, stopite v stik s svojim lokalnim prodajalcem ali pojdite na [vanguardpower.com](http://vanguardpower.com) ali pokličite 1-800-999-9333.

### Zaustavite motor



#### OPOZORILO

**Gorivo in njegovi hlapi so vnetljivi in eksplozivni. Ogenj ali eksplozija lahko povzročita opekline ali smrt.**

- Za zaustavitev motorja ne dušite uplinjača (če obstaja).
1. **Stikalo za zaustavitev, če obstaja:** Stikalo za zaustavitev (F, slika 11) premaknite v položaj za IZKLJUČI.
  2. **Stikalo na ključ, če obstaja:** Ko je regulator plina, če obstaja, v položaju za POČASI, obrnite stikalo na ključ (D, slika 11) v položaj za IZKLJUČI. Odstranite ključ in ga hranite na varnem mestu zunaj dosega otrok.
  3. Po zaustavitvi motorja obrnite zaporni ventil za gorivo (A, slika 11), če je nameščen, v položaj ZAPRTO.

## Vzdrževanje

### Informacije o vzdrževanju



#### OPOZORILO

**Gorivo in njegovi hlapi so vnetljivi in eksplozivni. Ogenj ali eksplozija lahko povzročita opekline ali smrt.**

Če je treba med vzdrževanjem nagniti enoto, se pripravite, da je rezervoar za gorivo, če je nameščen na motor, prazen in da je stran z vžigalno svečko zgoraj. Če rezervoar za gorivo ni prazen, lahko pride do iztekanja, kar lahko povzroči požar ali eksplozijo. Če je motor nagnjen v drugo smer, se zaradi onesnaženja zračnega filtra ali vžigalne svečke z oljem ali gorivom ne bo zlahka zagnal.



#### OPOZORILO

**Nenamerno iskrenje lahko povzroči električni udar, požar ali eksplozijo in lahko povzroči zapletanje, travmatično amputacijo ali raztrganine.**

#### Pred izvedbo nastavitve ali popravil:

- Odklopite vse kable vžigalnih svečk in jih hranite stran od vžigalnih svečk.
- Kabel akumulatorja odklopite z negativnega priključka akumulatorja (samo pri motorjih z električnim zagonom).
- Uporabljajte le ustrezno orodje.

#### Ko preverjate iskrenje:

- Uporabljajte odobreno napravo za preizkušanje vžigalne svečke.
- Iskrenja ne preverjajte, kadar so vžigalne svečke odstranjene.



#### OPOZORILO

Nadomestni deli morajo biti enaki in nameščeni v enakem položaju kot prvotni deli. Drugi deli lahko povzročijo škodo ali telesne poškodbe.

#### OPOMBA

Za pravilno delovanje tega izdelka morajo biti vsi njegovi sestavni deli pravilno nameščeni.

Za vzdrževanje in servisiranje motorja in njegovih delov se obrnite na pooblaščenega serviserja družbe Briggs & Stratton.

## Pregled nadzora emisij

Za vzdrževanje, zamenjavo ali popravilo naprav in sistemov za nadzor emisij se obrnite na kvalificiran servis za popravilo terenskih motorjev oziroma na usposobljenega serviserja. Za »brezplačno« servisiranje naprave za nadzor emisij mora delo opraviti tovarniško pooblaščen prodajalec. Glejte izjave o nadzoru emisij.

## Razpored vzdrževanja

Interval 8 ur ali enkrat dnevno
<ul style="list-style-type: none"> <li>• Preverite raven motornega olja.</li> <li>• Očistite območje okrog dušilca zvoka in upravljalnih elementov.</li> </ul>
Interval 100 ur ali enkrat letno
<ul style="list-style-type: none"> <li>• Zamenjajte vžigalne svečke.</li> <li>• Zamenjajte motorno olje.</li> <li>• Menjajte oljni filter (če je nameščen).</li> <li>• Servisiranje zračnega filtra<sup>1</sup>.</li> <li>• Očistite predfilter (če je nameščen)<sup>1</sup>.</li> <li>• Servisirajte izpušni sistem.</li> </ul>
Interval 250 ur ali enkrat letno
<ul style="list-style-type: none"> <li>• Preverite razmik ventila. Po potrebi ga prilagodite.</li> </ul>
Interval 400 ur ali enkrat letno
<ul style="list-style-type: none"> <li>• Zamenjajte zračni filter.</li> <li>• Zamenjajte filter za gorivo.</li> <li>• Servisirajte sistem za zračno hlajenje<sup>1</sup>.</li> <li>• Očistite rebra hladilnika olja<sup>1</sup>.</li> </ul>

<sup>1</sup> V prašnih razmerah ali kadar je v zraku veliko delcev čistite pogosteje.

## Elektronsko vbrizgavanje goriva (EFI)

Sistem za elektronsko vbrizgavanje goriva (EFI) nadzoruje temperaturo motorja, vrtljaje motorja in napetost akumulatorja za zagon in ogrevanje motorja. Sistem nima možnosti prilagajanja. Če pride do težav pri zagonu ali delovanju, se obrnite na pooblaščen servisni center Briggs & Stratton.

**OPOMBA** Upoštevati morate korake v nadaljevanju, sicer se lahko sistem za elektronsko vbrizgavanje goriva poškoduje.

- Nikoli NE zaganjajte motorja, če so kablji akumulatorja slabo pritrjeni.
- Pred odklopom, odstranitev in/ali namestitvijo akumulatorja obrnite ključ v položaj za IZKLJOP.
- Za zagon motorja NE uporabljajte polnilnika akumulatorja.
- Med delovanjem motorja NE odklapljajte kablov akumulatorja.
- Pri odklapanju kablov akumulatorja na akumulator najprej priključite pozitivni (+) kabel in nato še negativnega (-).
- Pri polnjenju akumulatorja obrnite stikalo za zagon v položaj za ZAUSTAVITEV in odklopite negativni (-) kabel z akumulatorja.
- Elektronskega krmilnega modula NE pršite z vodo.

## Sistem elektronskega vbrizgavanja goriva

Sistem elektronskega vbrizgavanja goriva nadzoruje temperaturo motorja, hitrost motorja in napetost akumulatorja za uravnavanje dušilne lopute med zagonom in ogrevanjem motorja. Sistem nima možnosti prilagajanja. Če pride do težav pri zagonu ali delovanju, se posvetujte s pooblaščenim serviserjem družbe Briggs & Stratton.

**OPOMBA** Upoštevati morate ta pravila, sicer se lahko sistem za elektronsko vbrizgavanje goriva poškoduje.

- Nikoli NE zaganjajte motorja, če so kablji akumulatorja slabo pritrjeni.
- Preden motor povežete z zaganjalnimi kablji ali izklopite/ponovno priključite akumulatorske kable, stikalo za vžig obrnite na položaj IZKLJUČI. Med polnjenjem akumulatorja mora biti stikalo za vžig obrnjeno na položaj IZKLJUČI.
- Pri odklapanju akumulatorskih kablov z akumulatorja najprej odklopite negativni (-) akumulatorski kabel, nato pa še pozitivnega (+). Pri priklapanju akumulatorskih kablov na akumulator najprej priključite pozitivni (+) akumulatorski kabel, nato pa še negativnega (-).
- Za zagon motorja NE uporabljajte polnilnika akumulatorja.
- Med delovanjem motorja NE odklapljajte kablov akumulatorja.
- Elektronske krmilne enote NE pršite z vodo.

## Uplinjač in vrtljaji motorja

Vrtljajev motorja ne nastavljajte z uplinjačem, spreminjanjem krmilne vzmeti, povezav ali drugih delov. Če so potrebne kakršnekoli nastavitve, se za servisno pomoč obrnite na pooblaščenega serviserja podjetja Briggs & Stratton.

### OPOMBA

Proizvajalec opreme določi najvišje število vrtljajev motorja, nameščenega na stroj. Ne prekoračite tega števila vrtljajev. Če niste prepričani, kakšna je najvišja hitrost stroja oziroma na kakšne vrtljaje je motor tovarniško nastavljen za delovanje, se za pomoč obrnite na pooblaščenega serviserja podjetja Briggs & Stratton. Za varno in pravilno delovanje stroja mora vrtljaje motorja nastaviti le usposobljen serviser.

## Servisiranje vžigalnih svečk

Preverite razmik (A, slika 12) z merilnim lističem (B). Po potrebi nastavite razmik med elektrodama vžigalne svečke. Vžigalno svečko namestite in privijte s priporočenim navorom. Za razmik ali navor glejte poglavje **Specifikacije**.

## Servisiranje izpušnega sistema



### OPOZORILO

Med delovanjem se motor in dušilnik zvoka zelo segrejeta. Če se dotaknete vročega motorja, lahko pride do opeklin.

Gorljivi materiali, kot so listje, trava, dračje itd., se lahko vnamejo.

- Preden se dotaknete motorja ali dušilnika zvoka, ustavite motor in počakajte dve (2) minuti. Prepričajte se, da se je varno dotakniti motorja in dušilnika zvoka.
- Odstranite smeti iz dušilnika zvoka in motorja.

Po Oddelku 4442 kalifornijskega Zakona o javnih virih (Public Resource Code) je motorne naprave prepovedano uporabljati na vseh gozdnih, grmičastih in travnatih površinah, če nameščeni izpušni sistem ni opremljen z lovilec isker, ki je določen v oddelku 4442, in ustrezno vzdrževan v dobrem delovnem stanju. Druge države ali zvezne oblasti imajo lahko podobne zakone. Glejte zvezni predpis 36 CFR, oddelek 261.52. Obrnite se na proizvajalca, prodajalca ali trgovca originalne opreme, da vam priskrbi originalni lovilec isker, zasnovan za izpušni sistem, ki je nameščen na tem motorju.

Z območja dušilnika zvoka in valja očistite smeti. Preglejte in se prepričajte, da na dušilcu ni razpok, korozije ali drugih poškodb. Odstranite deflektor ali lovilec isker, če obstaja, in preglejte in se prepričajte, da ni poškodb ali nakopičenosti ogljika. Če odkrijete poškodbe, pred začetkom uporabe stroja namestite nadomestne dele.



### OPOZORILO

Nadomestni deli morajo biti enaki in nameščeni v enakem položaju kot prvotni deli. Drugi deli lahko povzročijo škodo ali telesne poškodbe.

## Menjava motornega olja



### OPOZORILO

Gorivo in njegovi hlapi so vnetljivi in eksplozivni. Ogenj ali eksplozija lahko povzročita opekline ali smrt.

Med delovanjem se motor in dušilnik zvoka zelo segrejeta. Če se dotaknete vročega motorja, lahko pride do opeklin.

- Če olje praznite skozi cev za dolivanje olja na vrhu, mora biti rezervoar za gorivo prazen. Če ni prazen, lahko pride do iztekanja goriva, kar lahko povzroči požar ali eksplozijo.
- Preden se dotaknete motorja ali dušilnika zvoka, ustavite motor in počakajte dve (2) minuti. Prepričajte se, da se je varno dotakniti motorja in dušilnika zvoka.

Uporabljeno olje je nevaren odpadni izdelek in ga je treba zavreči na pravilen način. Ne odstranjujte ga skupaj z gospodinjstvi odpadki. Za varno odstranjevanje ali recikliranje se obrnite na lokalne organe, servisni center ali prodajalca.

## Odstranjevanje olja

1. Ob UGASNJENEM, a še vedno toplem motorju, odklopite kabel vžigalne svečke (D, slika 13) in ga hranite proč od svečk (E).
2. Izvlecite merilno palico (A, sliki 14, 15).
3. Odstranite čep za izpust olja (F, sliki 16, 17). Olje izpustite v odobreno posodo.
4. Namestite in privijte čep odprtine za izpust olja (F, sliki 16, 17).

## Menjajte oljni filter, če je nameščen

1. Olje izpustite iz motorja. Glejte poglavje **Odstranjevanje olja**.
2. Odstranite oljni filter (G, sliki 18, 19) in ga pravilno zavržite.
3. Preden namestite nov oljni filter, rahlo namažite tesnilo oljnega filtra s čistim oljem.

4. Oljni filter privijajte ročno, da pride tesnilo v stik z adapterjem filtra, nato oljni filter zategnite s 1/2 do 3/4 obrata.
5. Dolijte olje. Glejte poglavje **Dolivanje olja**.
6. Motor zaženite in pustite teči. Ko je motor topel, preverite, ali olje izteka.
7. Ustavite motor. Prepričajte se, da raven olja dosega vrh oznake polno na merilni palici. Glejte poglavje **Dolivanje olja**.

## Dolivanje olja

- Motor mora biti v vodoravnem položaju.
- Očistite umazanijo na površini okoli odprtine za dolivanje olja.
- Za količino olja si oglejte poglavje **Specifikacije**.

1. Izvlecite merilno palico (A, sliki 20, 21). S čisto krpo odstranite olje z merilne palice.
2. Počasi nalivajte strojno olje v odprtino za dolivanje olja (C, sliki 20, 21). **Ne dolijte preveč olja**. Počakajte eno minuto in ponovno preverite raven olja.
3. Vstavite in privijte merilno palico (A, sliki 20, 21).
4. Izvlecite merilno palico in preverite raven olja. Raven olja mora segati do oznake FULL (B, sliki 20, 21) na merilni palici.
5. Vstavite in privijte merilno palico (A, sliki 20, 21).
6. Priključite kabel(ble) vžigalne svečke (D, slika 20) na vžigalno(e) svečko(e).

## Servisiranje zračnega filtra



### OPOZORILO

Hlapi goriva so vnetljivi in eksplozivni. Ogenj ali eksplozija lahko povzročita opekline ali smrt.

- Motorja ne zaganjajte oziroma ga ne uporabljajte, kadar je sklop čistilnika zraka (če obstaja) ali zračni filter (če obstaja) odstranjen.

### OPOMBA

Za čiščenje filtra ne uporabljajte zraka pod tlakom ali topil. Zrak pod tlakom lahko poškoduje filter, topila pa ga raztopijo.

Servisne zahteve si oglejte v poglavju **Razpored vzdrževanja**.

Nekateri modeli so lahko opremljeni tudi s predfiltriranjem, ki ga je mogoče oprati in ponovno uporabiti. Primerjajte ilustracije v tem priručniku z vrsto, nameščeno na vaš motor.

1. **Modeli brez rezervoarja za gorivo:** Odvijte spojni(a) vijak(a) (A, slika 22) in odstranite pokrov (B).
2. **Modeli z rezervoarjem za gorivo:** Odstranite spojni(a) vijak(a) (C, slika 23) in pokrov (D).
3. Odstranite matico (D, sliki 22, 23) in zadrževalni element (E).
4. Odstranite zračni filter (F, slika 22, 23).
5. Odstranite predfilter (G, slika 22, 23), če obstaja, z zračnega filtra (F).
6. Umazanijo očistite tako, da z zračnim filtrom (F, sliki 22, 23) rahlo udarite ob trdo površino. Če je zračni filter prekomerno umazan, ga zamenjajte z novim.
7. Predfilter (G, sliki 22, 23), če obstaja, očistite s tekočim detergentom in vodo. Počakajte, da se predfilter v celoti posuši. Predfilterja **NE** mažite.
8. Suh predfilter (G, sliki 22, 23), če obstaja, namestite na zračni filter (F).
9. Namestite zračni filter (F, slika 22, 23) in ga pričvrstite z zadrževalnim elementom (E) in matico (D).
10. Namestite pokrov (B, sliki 22, 23).

## Servisiranje sistema za gorivo



### OPOZORILO

Gorivo in njegovi hlapi so vnetljivi in eksplozivni. Ogenj ali eksplozija lahko povzročita opekline ali smrt.

- Gorivo hranite proč od iskenja, odprtega plamena, kontrolnih lučk, toplote in drugih vnetljivih virov.
- Pogosto pregledujte, ali so vodi za gorivo, rezervoar za gorivo, pokrovček rezervoarja za gorivo in povezave razpokane oziroma ali puščajo. Poškodovane dele zamenjajte.
- Če se gorivo razlije, počakajte, da se posuši, preden zaženete motor.

## Filter goriva, če je nameščen

1. Pred zamenjavo filtra za gorivo (A, slika 24) izpraznite rezervoar za gorivo ali zaprite zaporni ventil za gorivo. Če rezervoar za gorivo ni izpraznjen, lahko gorivo izteče in povzroči požar ali eksplozijo.
2. S kleščami stisnite jezičke (B, slika 24) na objemkah (C). Objemki odmaknite od filtra za gorivo (A).
3. Obrnite cevi za gorivo (D, slika 24) in jih povlecite s filtra za gorivo.

- Preverite morebitne razpoke ali luknjice na vodih za gorivo (D, slika 24). Cevi za gorivo po potrebi zamenjajte.
- Zamenjajte filter za gorivo (A, slika 24).
- Priklopite cevi za gorivo (D, slika 24) z objemkami (C).

## Servisiranje hladilnega sistema



**OPOZORILO**  
Med delovanjem se motor in dušilnik zvoka zelo segrejeta. Če se dotaknete vročega motorja, lahko pride do opeklin.

**Gorljivi odpadki, kot so listje, trava in dračje, se lahko vnamejo.**

- Preden se dotaknete motorja ali dušilnika zvoka, ustavite motor in počakajte dve (2) minuti. Prepričajte se, da se je varno dotakniti motorja in dušilnika zvoka.
- Odstranite smeti iz dušilnika zvoka in motorja.

### OPOMBA

Ne čistite motorja z vodo. Voda lahko onesnaži sistem za gorivo. Za čiščenje motorja uporabite ščetko ali suho krpo.

Ta motor ima zračno hlajenje. Umazanija ali odpadni delci lahko preprečijo pretok zraka in povzročijo pregrevanje motorja, posledica česar je nezadovoljivo delovanje in skrajšana življenjska doba motorja.

- S ščetko ali suho krpo odstranite delce z mrežice na dovodu zraka.
- Nadzorni in krmilni elementi, vzmeti in vezni elementi naj bodo čisti.
- Na območju okrog dušilnika zvoka in za njim (če je nameščen) naj ne bo vnetljivih odpadnih delcev.
- Poskrbite, da so rebra hladilnika olja (če so nameščena) čista.

Sčasoma se lahko na hladilnih rebrih valja nabere umazanija in povzroči prekomerno segrevanje motorja. Tega neželenega materiala ni mogoče odstraniti, ne da bi delno razstavili motorja. Sistem za zračno hlajenje naj pregleda in očisti pooblaščen servisier podjetja Briggs & Stratton, kot je priporočeno v **Razporedu vzdrževanja**.

## Shranjevanje Sistem za gorivo

Glejte sliko: 25.



**OPOZORILO**  
Gorivo in njegovi hlapi so vnetljivi in eksplozivni. Ogenj ali eksplozija lahko povzročita opekline ali smrt.

### Hramba goriva

- Ker lahko kontrolne lučke ali drugi viri vžiga povzročijo eksplozije, shranjujte gorivo stran od peči, štedilnikov, grelnikov za vodo ali drugih naprav, ki imajo kontrolne lučke.

Motor naj bo v vodoravni legi (običajen položaj za delovanje). Rezervoar za gorivo (A, slika 25) napolnite z gorivom. Zaradi širjenja goriva ne napolnite čez rob vratu rezervoarja za gorivo (B).

Gorivo se lahko postara, kadar se hrani v posodi za shranjevanje več kot 30 dni. Priporoča se uporaba stabilizatorja goriva brez vsebnosti alkohola in etanolno raztopino v posodi za shranjevanje goriva, da se prepreči razpad goriva in ohrani njegova svežina.

Vsakič, ko napolnite posodo z gorivom, vanj dodajte stabilizator goriva brez vsebnosti alkohola skladno z navodili proizvajalca. Če bencinu v motorju ni bil dodan stabilizator goriva, ga morate izpustiti v odobreno posodo. Pustite motor teči, dokler mu ne zmanjka goriva.

## Motorno olje

Ko je motor še topel, zamenjajte motorno olje. Glejte poglavje **Preverjanje in dolivanje motornega olja**.

## Odpravljanje težav

### Pomoč

Za pomoč se obrnite na trgovca ali obiščite **BRIGGSandSTRATTON.COM** ali pokličite **1-800-444-7774** (v ZDA).

## Specifikacije

### Specifikacije in nadomestni deli

Modeli: 290000, 300000	
Gibna prostornina	29.23 kubični palci (479 cm <sup>3</sup> )
Vrtina valja	2.677 palec (68 mm)

### Modeli: 290000, 300000

Hod bata	2.598 palec (66 mm)
Prostornina posode za olje	46 - 48 unče (1,36 - 1,42 l)
Razmik med elektrodama vžigalne svečke	.030 palec (.76 mm)
Zatezni moment za vžigalno svečko	180 funt-palci (20 Nm)
Zračna reža ohišja – Modeli z uplinjačem	.008 - .012 palec (.20 - .30 mm)
Hod sesalnega ventila	.004 - .006 palec (.10 - .15 mm)
Hod izpušnega ventila	.004 - .006 palec (.10 - .15 mm)

### MODEL: 350000

Gibna prostornina	34.78 kubični palci (570 cm <sup>3</sup> )
Vrtina valja	2.835 palec (72 mm)
Hod bata	2.756 palec (70 mm)
Prostornina posode za olje	46 - 48 unče (1,36 - 1,42 l)
Razmik med elektrodama vžigalne svečke	.030 palec (.76 mm)
Zatezni moment za vžigalno svečko	180 funt-palci (20 Nm)
Zračna reža ohišja – Modeli z uplinjačem	.008 - .012 palec (.20 - .30 mm)
Hod sesalnega ventila	.004 - .006 palec (.10 - .15 mm)
Hod izpušnega ventila	.004 - .006 palec (.10 - .15 mm)

### MODEL: 380000

Gibna prostornina	38.26 kubični palci (627 cm <sup>3</sup> )
Vrtina valja	2.972 palec (75,5 mm)
Hod bata	2.756 palec (70 mm)
Prostornina posode za olje	46 - 48 unče (1,36 - 1,42 l)
Razmik med elektrodama vžigalne svečke	.030 palec (.76 mm)
Zatezni moment za vžigalno svečko	180 funt-palci (20 Nm)
Zračna reža ohišja – Modeli z uplinjačem	.008 - .012 palec (.20 - .30 mm)
Hod sesalnega ventila	.004 - .006 palec (.10 - .15 mm)
Hod izpušnega ventila	.004 - .006 palec (.10 - .15 mm)

Moč motorja se zmanjša za 3,5 % na vsakih 1000 čevljev (300 metrov) dodatne nadmorske višine in 1 % na vsakih 10 °F (5,6 °C) nad 77 °F (25 °C). Motor bo deloval zadovoljivo pod kotom do 15°. Za varne dovoljene meje delovnega območja na nagibih si ogledte priročnik za uporabo stroja.

### MODEL: 290000, 300000, 350000, 380000

Nadomestni del	Številka dela
Zračni filter (z rezervoarjem za gorivo, slika 23)	383857
Zračni filter (razen modela 380000, slika 22)	394018
Zračni filter (model 380000, 22)	692519
Zračni filter, predfilter (z rezervoarjem za gorivo, slika 23)	271794
Zračni filter, predfilter (razen modela 380000, slika 22)	272490
Zračni filter, predfilter (model 380000, slika 22)	692520
Olje – SAE 30	100028
Oljni filter	842921
Filter za gorivo (z rezervoarjem za gorivo)	808116
Filter za gorivo (s črpalko za gorivo)	845125
Filter za gorivo (brez črpalke za gorivo)	298090
Uporovna vžigalna svečka	491055S
Platinasta vžigalna svečka z dolgo življenjsko dobo	696202, 5066K
Ključ za vžigalno svečko	19576S
Naprava za preizkušanje iskre	84003327

Priporočamo, da se za vsa vzdrževalna dela in servisiranje motorja in njegovih delov obrnete na pooblaščenega prodajalca podjetja Briggs & Stratton.

## Nazivna moč

Nazivna vrednost bruto moči motorja posameznih modelov bencinskih motorjev je označena v skladu s standardom SAE (Zveza inženirjev v avtomobilski industriji)

J1940 Postopek določanja nazivnega navora in moči majhnih motorjev, njena nazivna vrednost pa je določena skladno s SAE J1995. Vrednosti navora se računajo pri 2600 vrt./min za motorje z oznako »rpm«; za vse ostale motorje se vrednosti računajo pri 3060 vrt./min. Vrednosti konjskih moči se računajo pri 3600 vrt./min. Krivulje bruto moči si lahko ogledate na [www.BRIGGSandSTRATTON.COM](http://www.BRIGGSandSTRATTON.COM). Vrednosti neto moči so izmerjene z nameščenim izpušnim sistemom in sistemom čiščenja zraka, medtem ko so vrednosti bruto moči pridobljene brez teh priključkov. Dejanska bruto moč motorja bo višja od neto moči motorja in je med drugim odvisna od dejanskih delovnih razmer okolja in razlik med posameznimi motorji. Glede na široko ponudbo izdelkov, v katere so ti motorji nameščeni, bencinski motor morda ne bo dosegal ocenjene skupne moči, če se uporablja v določenem delu opreme. Razlika je posledica vrste vplivov, ki med drugim vključujejo različne sestavne dele motorja (zračni filter, izpuh, polnjenje, hlajenje, uplinjač, črpalka za gorivo itd.), omejitve uporabe, delovne razmere okolja (temperatura, vlaga, nadmorska višina) in razlike med posameznimi motorji. Zaradi omejitev v proizvodnji in zmožljivosti lahko podjetje Briggs & Stratton motor te serije zamenja z motorjem z višjo nazivno močjo.

## Garancija

### Garancija za motorje Briggs & Stratton®

V veljavi od avgusta 2022

#### Omejena garancija

Podjetje Briggs & Stratton jamči, da bo v spodaj navedenem garancijskem obdobju brez dodatnih stroškov po lastni presoji popravilo ali z novim oziroma obnovljenim delom zamenjalo kateri koli del, na katerem se je pojavila okvara zaradi materiala ali izdelave ali obojega. Stroške prevoza izdelka, ki je poslan v popravilo ali v zamenjavo pod to garancijo, mora nositi kupec. Ta garancija velja za obdobja in skladno s pogoji, kot je navedeno spodaj. Za servis v okviru garancije poiščite najbližjega pooblaščenega serviserja na zemljevidu našega orodja za iskanje prodajalcev na [BRIGGSandSTRATTON.COM](http://BRIGGSandSTRATTON.COM). Kupec mora stopiti v stik s pooblaščenim servisnim centrom in temu centru izdelek posredovati v pregled in testiranje.

**Dругih izrecnih garancij ni. Nakazane garancije, vključno z garancijami tržnosti in primernosti za določen namen, so omejene na čas enega leta od nakupa oziroma do roka, ki je zakonsko določen. Vse druge nakazane garancije so izključene. Odgovornost za naključno ali posledično škodo je izključena v obsegu, ki ga dopušča zakon.** Nekatere države ne dopuščajo omejitve trajanja nakazane garancije, nekatere pa ne dopuščajo izključevanja ali omejitve naključne ali posledične škode, tako da zgoraj navedena omejitev in izključitev morda za vas ne velja. Ta garancija vam zagotavlja določene zakonske pravice, lahko pa imate še druge pravice, ki se razlikujejo od države do države.

#### Standardni garancijski pogoji <sup>1, 2</sup>

<b>Vanguard®; komercialna serija</b>
Potrošniška uporaba – 36 mesecev
Komercialna uporaba – 36 mesecev
<b>Serija XR</b>
Potrošniška uporaba – 24 mesecev
Komercialna uporaba – 24 mesecev
<b>Vsi drugi motorji z litoželezno pušo Dura-Bore™</b>
Potrošniška uporaba – 24 mesecev
Komercialna uporaba – 12 mesecev
<b>Vsi drugi motorji</b>
Potrošniška uporaba – 24 mesecev
Komercialna uporaba – 3 mesece

<sup>1</sup> To so naši standardni garancijski pogoji, a občasno je lahko priloženo dodatno garancijsko kritje, ki ni bilo določeno v času objave. Za seznam trenutnih garancijskih pogojev za vaš motor pojdite na [BRIGGSandSTRATTON.COM](http://BRIGGSandSTRATTON.COM) ali pa se obrnite na pooblaščen servisni center Briggs & Stratton.

<sup>2</sup> Garancija se ne daje za motorje na opremi, ki je priključena na generatorje primarne moči, namesto na napajanje iz električnega omrežja, pomožne generatorje (pomožne vire energije), ki se uporabljajo v komercialne namene, večnamenska vozila, katerih hitrost presega 25 mph, ali motorje, uporabljene na tekmovalnih dirkah oz. na komercialnih ali najetih stezah.

\* V Avstraliji – Naši izdelki imajo garancije, ki jih ni možno izključiti po avstralski zakonodaji o varstvu potrošnikov. Upravičeni ste do menjave ali vračila denarja za veliko okvaro ali do odškodnine za kakršno koli drugo izgubo ali škodo, ki jo je mogoče razumno predvideti. Prav tako ste upravičeni do popravila ali menjave blaga, če to ni sprejemljive kakovosti, okvara pa ni velika. Za storitve garancije poiščite najbližji pooblaščen servisni center na zemljevidu naših servisnih centrov na [BRIGGSandSTRATTON.COM](http://BRIGGSandSTRATTON.COM) oziroma pokličite 1300 274 447 ali pošljite e-pošto na [salesenquiries@briggsandstratton.com.au](mailto:salesenquiries@briggsandstratton.com.au) oziroma pišite na Briggs & Stratton Australia Pty Ltd, 1 Moorebank Avenue, Moorebank, NSW, Avstralija, 2170.

Garancijsko obdobje prične teči ob datumu nakupa prvega maloprodajnega potrošnika ali gospodarskega končnega uporabnika in traja v časovnem obdobju, navedenem v tabeli zgoraj. »Potrošniška uporaba« pomeni osebno domačo rabo maloprodajnega

potrošnika. »Komerzialna uporaba« pomeni vsakršno drugačno uporabo, vključno z uporabo v komercialne, pridobitne ali posojilne namene. Če je motor enkrat uporabljen v komercialne namene, po tej garanciji spada v kategorijo motorjev za komercialno uporabo.

**Za uveljavljanje garancije za izdelke znamke Briggs & Stratton registracija garancije ni potrebna. Shranite račun kot dokazilo o nakupu. Če v primeru, da potrebujete garancijsko storitev, ne predložite dokazila o datumu prvotnega nakupa, se bo za določanje garancijske dobe uporabil datum proizvodnje izdelka.**

#### O vaši garanciji

Ta omejena garancija krije samo napake v materialu in/ali okvare zaradi izdelave na motorju, ne pa zamenjave ali povračila za opremo, na katero je motor lahko nameščen. Rednega vzdrževanja, finih nastavitvev, prilagoditev ali običajne obrabe ta garancija ne krije. Garancija ne velja tudi v primeru, če je bil motor predelan oziroma spremenjen ali če je bila serijska številka motorja uničena ali odstranjena. Ta garancija ne krije poškodb motorja ali težav pri delovanju, ki jih povzročijo/je:

1. uporaba delov, ki niso Briggs & Stratton
2. delovanje motorja z nezadostno količino mazivnega olja ali z oljem, ki je onesnaženo oziroma ima neustrezno viskoznost;
3. Uporaba onesnaženega ali starega goriva, bencina z več kot 10 odstotki etanola ali alternativnih goriv, kot sta petrolej ali zemeljski plin, v motorjih, ki jih podjetje Briggs & Stratton prvotno ni zasnovalo/izdelalo za delovanje s tovrstnimi gorivi;
4. Umazanija, ki je prišla v motor zaradi napačnega vzdrževanja zračnega filtra ali ponovnega sestavljanja;
5. udarec ob predmet z rezilom rotacijske vrtnice kosilnice, zrahljani ali nepravilno nameščeni adapterji rezila, rotorji ali druge povezane naprave gredi bloka motorja ali čezmerno napet klinasti jermen;
6. Uporaba delov ali sklopov, kot so sklopke, menjalniki, upravljalni vzvodi itd., ki jih ne dobavlja podjetje Briggs & Stratton;
7. pregrevanje zaradi trave, umazanije in ostankov ali gnezd glodavcev, ki zamašijo hladilna rebra ali predel vztrajnika, ali zaradi delovanja motorja pri neustreznem prezračevanju;
8. čezmerni tresljaji zaradi prevelike hitrosti, razrahljane pritrditve motorja, razrahljanih ali neuravnoteženih rezil ali rotorjev ali neprimerne spajanja komponent opreme na gred bloka motorja;
9. napačna uporaba, pomanjkljivo redno vzdrževanje, neustrezen transport, ravnanje z motorjem, skladiščenje opreme ali neustrezna montaža motorja.

Garancijski servis je na voljo le pri pooblaščenih servisnih centrih podjetja Briggs & Stratton. Poiščite najbližji pooblaščen servisni center na zemljevidu našega orodja za iskanje prodajalcev na [BRIGGSandSTRATTON.COM](http://BRIGGSandSTRATTON.COM) oziroma pokličite 1-800-444-7774 (v ZDA).

80114782 (Revizija A)

## Genel Bilgiler



Bu el kitabı motorların yaratabileceği riskler ve tehlikeler ile bu tehlikelerden kaçınmak için yapmanız gerekenler hakkında sizi bilinçlendirmek amacıyla güvenlik bilgileri içermektedir. El kitabı aynı zamanda motorun doğru kullanımı ve motor bakımı hakkında bilgi de içermektedir. Bu talimatları okumanız, anlamanız ve uygulamanız önemlidir. **Bu el kitabını gelecekte de kullanmak üzere saklayın.**

**NOT:** Bu kullanım kılavuzundaki şekiller ve resimler yalnızca bilgi için verilmiştir ve sizin modelinizden farklı olabilir. Motorunuzun konfigürasyonuna uygun olan eden şekilleri uygulayın. Gerekliyse bir yetkili servis bayisi ile iletişime geçin.

Yedek parçalar için; satın alma tarihi, motor modeli, tip, trim ve motor seri numarasını kaydedin. Bu numaralar motorunuzun üzerinde yer almaktadır. **Özellikler ve Kumandalar** kısmına bakın.

Satın Alma Tarihi	
Motor Modeli - Tipi - Ayarı:	
Motor Seri Numarası	

## Avrupa Ofisi İletişim Bilgileri

Avrupa emisyonları ile ilgili sorular için Avrupa ofisimiz ile şu adresten iletişime geçin:

Max-Born-Straße 2, 68519 Viernheim, Almanya.

## Avrupa Birliği (AB) Kademe V (5): Karbon Dioksit (CO2) Değerleri

Briggs & Stratton AB Tip Onayı Sertifikalı motorların karbon dioksit değerlerini bulmak için BriggsandStratton.com adresindeki arama penceresine CO2 ögesini girin.

## Geri Dönüşürme Bilgileri

		Tüm kartonları, kutuları, kullanılmış yağ ve aküleri devlet yönetmelikleri tarafından belirtilen şekilde geri dönüştürün.
--	--	---

## Operatör Güvenliği

### Güvenlik İkaz Sembolü ve İşaret Sözcükleri

Güvenlik uyarı sembolü kişisel yaralanmaya yol açabilecek tehlikeler hakkındaki güvenlik bilgilerini belirtir. Yaralanmanın olasılığını ve olası ciddiyetini göstermek için bir işaret sözcüğü (**TEHLİKE**, **UYARI** veya **DİKKAT**) kullanılmıştır. Ek olarak, tehlikenin tipini temsil etmek için bir tehlike sembolü kullanılmıştır.

**TEHLİKE** eğer önlenmezse, ölüm veya ciddi yaralanmayla **sonuçlanacak** tehlikeyi gösterir.

**UYARI** eğer önlenmezse, ölüm veya ciddi yaralanmayla **sonuçlanabilecek** tehlikeyi gösterir.

**DİKKAT** eğer önlenmezse, hafif veya orta derecede yaralanmayla **sonuçlanabilecek** tehlikeyi gösterir.

**DİKKAT** Önemli olduğu kabul edilen ama tehlike ile ilgili olmayan bilgileri belirtir.

## Tehlike Sembolleri ve Anlamları

	Kişisel yaralanmaya neden olabilecek tehlikelere ilişkin güvenlik bilgileri.		Üniteyi çalıştırmadan veya bakım yapmadan önce Kullanım Kılavuzu'nu okuyun ve uyun.
	Yangın Tehlikesi		Patlama Tehlikesi
	Elektrik Çarpması Tehlikesi		Zehirli Duman Tehlikesi

	Sıcak Yüzey Tehlikesi		Gerilim Tehlikesi
	Uzuv Kesilme Tehlikesi - Hareketli Parçalar		Yakıt Seviyesi - Maksimum Aşırı Doldurmayın

## Güvenlik Mesajları



### UYARI

Briggs & Stratton® Motorları fun-kart, go-kart gibi araçları; çocuklar için eğlence veya spor amaçlı arazi araçları (ATV'ler); motosikletler; hava yastıklı tekneler; hava taşıtı ürünleri veya Briggs & Stratton tarafından onaylanmamış yarışma etkinliklerinde kullanılan araçları çalıştırmak için tasarlanmamıştır ve bunlarda kullanılmamalıdır. Yarışma amaçlı ürünlerle ilgili bilgi için [www.briggsracing.com](http://www.briggsracing.com) internet sitemize bakınız. Ticari araçlar ve çok koltuklu arazi araçları için lütfen Briggs & Stratton Güç Uygulama Merkezine başvurun: 1-866-927-3349. Motorun yanlış kullanılması ağır yaralanma veya ölüm ile sonuçlanabilir.



### UYARI

Yakıt ve buharları yanıcı ve patlayıcıdır. Yangın veya patlama yanklara veya ölüme yol açabilir.

### Yakıt eklerken

- Motoru durdurun. Yakıt kapağını çıkarmadan önce motorun soğuk olmasını sağlamak için en az iki (2) dakika bekleyin.
- Yakıt deposunu dış mekanda veya iyi hava akışı bulunan bir yerde doldurun.
- Depoya çok fazla yakıt koymayın. Yakıtın genleşmesi için yakıt deposu boynunun alt kısmının üstüne kadar doldurmayın.
- Yakıtı kıvılcımlardan, açık alevlerden, pilot ateşlerden, ısıdan ve diğer tutuşturma kaynaklarından uzak tutun.
- Yakıt hatlarında, yakıt deposunda, yakıt kapağında ve bağlantılarda sık şekilde çatlak veya sızıntı incelemesi yapın. Hasarlı parçaları değiştirin.
- Yakıt döküldüğü takdirde motoru çalıştırmadan önce kurumasını bekleyin.

### Motoru çalıştırdığınız zaman

- Bujinin, susturucunun, yakıt kapağının ve hava temizleyicinin (donatılmış ise) doğru şekilde takılmış olmasına dikkat edin.
- Buji çıkarılmışken motoru çalıştırmayın.
- Motorun boşulması halinde jikle (donatılmış ise) AÇIK veya ÇALIŞTIR durumuna getirin. Gaz keleşini (donatılmış ise) HIZLI konumuna getirin ve motor çalışmaya kadar marş basın.
- Çevrede doğalgaz veya LP sızıntısı olması halinde motoru çalıştırmayın.
- Buharları yanıcı olduğundan basınçlı marş sıvaları kullanmayın.

### Donanımı kullanırken

- Motoru veya donanımı yakıtın dökülmesine neden olacak bir açığa eğmeyin.
- Motoru durdurmak için karbüratörü (donatılmış ise) boğmayın.
- Hava temizleyici (donatılmış ise) veya hava filtresi (donatılmış ise) sökülmüş olarak motoru başlatmayın veya çalıştırmayın.

### Bakım yaparken

- Yağı üst yağ doldurma borusundan boşaltmanız halinde yakıt deposu boş olmalıdır. Boş olmaması halinde yakıt sızabilir ve yangın veya patlamaya yol açabilir.
- Bakım sırasında üniteyi eğmek gerektiği takdirde, yakıt deposu motorun üzerine monte edilmiş ise onun boş olmasına ve buji tarafının yukarıda kalmasına dikkat edin. Yakıt deposunun boş olmaması halinde sızıntı olabilir ve yangına veya patlamaya yol açabilir.
- Yakıt hatlarında, yakıt deposunda, yakıt kapağında ve bağlantılarda sık şekilde çatlak veya sızıntı incelemesi yapın. Hasarlı parçaları değiştirin.
- Motor hızını arttırmak için regülatör yayını, bağlantıları veya başka parçaları değiştirmeyin.
- Volana çekici veya sert bir nesne ile vurmeyin. Bu, çalışma sırasında volanın arıza yapmasına yol açabilir.
- Yedek parçalar orijinal parçalarla aynı tasarımda olmalı ve aynı konumlara yerleştirilmelidir. Başka parçaların arıza yapmasına veya bir yaralanmaya neden olabilir.

### Donanımın yerini değiştirirken

- Yakıt deposunun BOŞ olmasına veya yakıt kapatma vanasının KAPALI duruma olmasına dikkat edin.



#### Yakıtı veya yakıt deposunda yakıt olacak şekilde donanımı saklarken

- Pilot ışıklar veya başka ateşleme kaynakları patlamalara yol açabileceği için yakıtı veya donanımı fırınların, ocakların, su ısıtıcılarının veya pilot ışığı olan başka cihazların uzağında tutun.



#### UYARI

Yakıt ve buharları yanıcı ve patlayıcıdır. Yangın veya patlama yanıklara veya ölüme yol açabilir.

Motorun başlatılması kıvılcım çıkarır ve bu da yangına veya patlamaya yol açabilir.

- Çevrede doğalgaz veya LP sızıntısı olması halinde motoru çalıştırmayın.
- Buharları yanıcı olduğundan basınçlı marş sıvıları kullanmayın.



#### UYARI

**ZEHİRLİ GAZ TEHLİKESİ.** Motor egzozusuzi dakikalar içerisinde öldürebilecek zehirli bir gaz olan karbonmonoksit içerir. Egzoz gazlarının kokusunu almanız bile tehlikeli karbonmonoksit gazına maruz kalabilirsiniz. Bu ürünü kullanırken rahatsızlık, baş dönmesi veya halsizlik hissetmeniz durumunda HEMEN temiz havaya çıkın. Doktora görünün. Karbonmonoksit zehirlenmesi yaşıyor olabilirsiniz.

- Kullanılan mekanlarda karbon monoksit gazı toplanabilir. Karbonmonoksit gazı riskini azaltmak için bu ürünü YALNIZCA dış mekanda ve pencerelerden, kapılardan ve hava deliklerinden uzakta çalıştırın.
- Üretici talimatlarına uygun şekilde pil ile çalışan karbonmonoksit alarmları kurun veya pil destekli karbon monoksit alarmları takın. Duman alarmları, karbonmonoksit gazını algılayamaz.
- Fan kullansanız ve havalandırma için kapıları ve pencereleri açmanız bile bu ürünü evlerde, garajlarda, bodrumlarda, döşeme altı boşluklarda, gölgeliklerde veya başka kapalı yerlerde ÇALIŞTIRMAYIN. Bu ürünü çalıştırdıktan sonra bu yerlerde hızla karbonmonoksit toplanabilir ve saatlerce kalabilir.
- Bu ürünü HER ZAMAN rüzgar altı yönde yerleştirin ve motor egzozunu kapalı alanlardan uzağa yönlendirin.



#### UYARI

Marş ipinin hızla geri gitmesi (geri tepme) elinizi ve kolunuzu bırakamayacağınız kadar hızlı şekilde motora doğru çeker. Kemik kırılmalarına, çatlaklara, morarmalara veya burkulmalara neden olabilir.

- Motoru çalıştırırken geri tepmeyi önlemek için, direnç hissedilinceye kadar marş ipini yavaş çekin ve sonra hızla çekin.
- Motoru çalıştırmadan önce harici tüm ekipmanı ve motor yüklerini ayırın veya kaldırmayın.
- Bir kısıtlama olmaksızın bıçaklar, pervaneler, makaralar ve zincir dişlileri gibi doğrudan bağlanan ekipman bileşenlerinin sağlam şekilde takılmış olmasına dikkat edin.



#### UYARI

Dönen parçalar elleri, ayakları, saçları, giysileri veya aksesuarları yakalayabilir ve travmatik uzuv kesilmesine veya yaralanmasına yol açabilir.

- Donanımı muhafazalar doğru şekilde takılmış olarak çalıştırın.
- Ellerinizi ve ayaklarınızı döner parçalardan uzak tutun.
- Mücevherleri çıkarın ve uzun saçın döner tüm parçalardan uzak kalmasına dikkat edin.
- Bol giysiler veya takılabilecek öğeler giymeyin.



#### UYARI

Çalışma sırasında motor ve susturucu ısınır. Sıcak bir motora dokunmanız halinde ısı yanıklar meydana gelebilir.

Yaprak, çimen ve çalı gibi yanıcı maddeler alev alabilir.

- Motora veya susturucuya dokunmadan önce motoru dururun ve iki (2) dakika bekleyin. Motorun ve susturucunun dokunmak için güvenli olmasına dikkat edin.
- Susturucudan ve motordan çöpleri temizleyin.

Egzoz sistemi etkili şekilde çalışır durumda tutulmak üzere bölüm 4442'de tanımlanan şekilde bir kıvılcım durdurucu ile donatılmış olmadığı sürece, motorun orman kaplı, çalılık kaplı veya ot kaplı alanlarda kullanılması Kaliforniya Eyaleti Public Resource Code Bölüm 4442'nin ihlal edilmesine neden olur. Diğer eyaletlerde veya federal yetki bölgelerinde benzer yasalar bulunabilir; Federal Yönetmelik 36 CFR Bölüm 261.52'ye bakın. Bu motorun egzoz sistemi için tasarlanmış bir kıvılcım tutucu almak için orijinal cihaz üreticisine, perakendeciye veya bayiye başvurun.



#### UYARI

Kazara motor kıvılcımı elektrik çarpmasına, yangına veya patlamaya yol açabilir ve takılmaya, travmatik uzuv kesilmesine veya yaralanmaya neden olabilir.

Ayar veya tamir yapmadan önce:

- Tüm buji kablolarını çıkarın ve bujilerden uzakta tutun.
- Akü kablosunu negatif akü terminalinden ayırın (yalnız elektrikli başlatma bulunan motorlar.)
- Yalnızca doğru aletleri kullanın.

Kıvılcım kontrolü yaparken:

- Onaylanmış bir buji test cihazı kullanın.
- Buji çıkarılmış halde kıvılcım kontrolü yapmayın.



#### UYARI

Yakıt buharları yanıcıdır ve patlayıcıdır. Yangın veya patlama yanıklara veya ölüme yol açabilir.

Gaz kokusu aldığınız zaman

- Motoru çalıştırmayın.
- Elektrik düğmelerini açmayın.
- Yakında telefon kullanmayın.
- Bölgeyi tahliye edin.
- Gaz tedarikçisini veya itfaiyeyi arayın.

## Özellikler ve Kumandalar









### Motor Kontrol Sistemleri

Şekil 1, 2, 3 ve 4 dahilindeki işaret harflerini aşağıdaki listede bulunan motor kontrolleri ile karşılaştırın:

- Motor Künye Numaraları **Model - Tipi - Kodu**
- Buji
- Hava Temizleyici (Yakıt Deposuz)
- Hava Temizleyici (Yakıt Depolu)
- Gösterge Çubuğu
- Yağ Doldurma
- Yağ Filtresi (eğer varsa)
- Yağ Boşaltma Tapası
- Yağ Basınç Sensörü
- Parmak Koruyucu
- Elektrikli Başlatıcı
- Makaralı Marş (eğer varsa)
- Karbüratör - Karbüratör Modelleri
- Susturucu
- Yakıt Pompası
- Marş Düğmesi<sup>1</sup>
- Gaz Kumandası<sup>1</sup>
- Jikle Kumandası<sup>1</sup>
- Yakıt Filtresi (eğer varsa)
- Yakıt Deposu
- Yakıt Kapatma (eğer varsa)<sup>1</sup>
- Durdurma Düğmesi (eğer varsa)<sup>1</sup>
- Yağ Soğutucu (takılıysa)
- Yakıt Pompası Modülü - EFI Modelleri
- Elektronik Kontrol Modülü - EFI Modelleri
- Yakıt Enjektörü - EFI Modelleri

<sup>1</sup> Bazı motorlarda ve ekipmanlarda uzaktan kumandalar bulunur. Uzaktan kumanda sisteminin yeri ve çalıştırılması için tertibat kullanım kılavuzuna bakınız.

## Motor Kontrol Sembolleri ve Anlamları

 Motor Hızı - HIZLI	 Motor Hızı - YAVAŞ
 Motor Hızı - DURDUR	 AÇIK - KAPALI
 Motoru Çalıştırma Jikle KAPALI	 Motoru Çalıştırma Jikle AÇIK
 Yakıt Kapağı Yakıt Kapatma AÇIK	 Yakıt Kapatma KAPALI

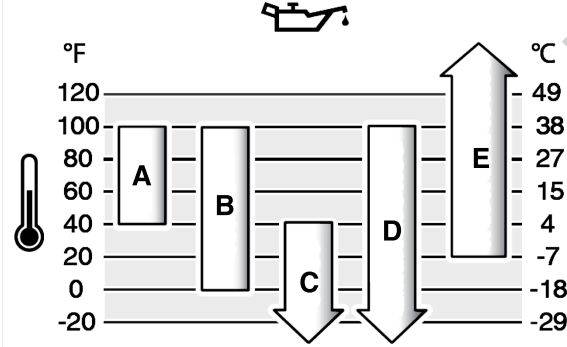
## Çalıştırma

### Yağ Tavsiyeleri

Yağ Kapasitesi: **Teknik Özellikler** bölümüne bakın.

En iyi performans için Briggs & Stratton® Garanti Onaylı yağlar kullanmanızı tavsiye ederiz. SF, SG, SH, SJ veya üzeri servis sınıflandırmasına sahip diğer yüksek kaliteli temizleyici yağlara da izin verilmektedir. Özel katkı maddeleri kullanmayın.

Beklenen dış sıcaklık aralığına en uygun viskoziteyi seçmek için çizelgeyi kullanın. Dış mekan motorlu ekipmanlarının çoğunluğundaki motorlar 5W-30 Sentetik yağ ile gayet iyi çalışır. Yüksek sıcaklıklarda çalıştırılan ekipman için, Vanguard® 15W-50 Sentetik yağ en iyi korumayı sağlar.



A	SAE 30 - 40°F (4°C) sıcaklığın altında SAE 30 kullanılırsa zor çalışacaktır.
B	10W-30 - 80°F (27°C) sıcaklığın üzerinde 10W-30 kullanılması normalden fazla yağ tüketmesine neden olabilir. Yağ seviyesini sıklıkla kontrol edin.
C	5W-30
D	Sentetik 5W-30
E	Vanguard™ Sentetik 15W-50

## Yağ Seviyesini kontrol edin

Yağı kontrol etmeden veya yağ ekleden önce

- Motorun yatay olduğunu kontrol edin.
- Yağ doldurma yerini çöplerden temizleyin.
- Yağ kapasitesi için **Teknik Özellikler** bölümüne bakın.

### DİKKAT

Bu motor Briggs & Stratton tarafından yağsız olarak gönderilmektedir. Ekipman üreticileri veya bayiler motora yağ eklemiş olabilir. Motoru ilk kez çalıştırmadan önce yağın doğru seviyede olduğunu kontrol edin. Bu kılavuzdaki talimatlar tarafından belirtilen şekilde yağ ekleyin. Motoru yağsız olarak başlatmanız halinde zarar görür ve motor garanti kapsamında tamir edilmez.

1. Yağ çubuğunu (A, Şekil 5) çıkarın ve bir bez ile temizleyin.
2. Yağ çubuğunu yerine takın ve sıkıştırın (A, Şekil 5).
3. Yağ çubuğunu çıkarın ve yağ seviyesini kontrol edin. Yağ seviyesinin yağ çubuğundaki dolu göstergesinin (B, Şekil 5) tepesinde olduğunu kontrol edin.
4. Yağ seviyesi düşükse, motor yağ kapağından yavaşça yağ ekleyin (C, Şekil 5). Çok fazla yağ eklemeyin.

5. Bir dakika bekleyin ve yağ seviyesini tekrar kontrol edin. Yağ seviyesinin doğru olmasına dikkat edin.
6. Yağ çubuğunu yerine takın ve sıkıştırın (A, Şekil 5).

## Düşük Yağ Koruma Sistemi (varsa)

Bazı motorlara düşük yağ seviyesi sensörü takılmıştır. Yağ seviyesi düşükse, sensör bir uyarı ışığı gösterir veya motoru durdurur. Motoru durdurun ve motoru çalıştırmadan önce aşağıdaki adımları izleyin.

- Motorun yatay olduğundan emin olun.
- Yağı kontrol edin. **Yağ Seviyesinin Kontrolü** bölümüne bakın.
- Yağ seviyesi düşük ise doğru miktarda yağ ekleyin. Motoru çalıştırın ve uyarı ışığının (eğer varsa) yanmadığını kontrol edin.
- Yağ seviyesi düşük değil ise motoru çalıştırmayın. Yağ sorununun düzeltilmesi için Briggs & Stratton Yetkili Servis Bayisi ile görüşün.

## Yakıt Tavsiyeleri

Yakıt aşağıdaki koşullara uygun olmalıdır:

- Temiz, yeni, kurşunsuz benzin.
- Minimum 87 oktan/87 AKI (91 RON). Yüksek irtifada kullanım, aşağıya bakın.
- %10'a kadar etanol içeren benzine (gazohol) izin vardır.

### DİKKAT

E15 ve E85 gibi onaylanmamış benzin kullanmayın. Benzine yağ karıştırmayın veya motoru farklı yakıtlar ile çalışacak şekilde modifiye etmeyin. Onaylanmamış yakıtlar kullanmak motor bileşenlerine zarar verebilir ve bu hasarlar garanti kapsamında tamir edilmez.

Yakıt sistemini çapak ve korozyon oluşumundan korumak için, yakıt alkolü yakıt stabilizatörü ve işlenmiş etanol karıştırın. **Saklama** bölümüne bakın. Bütün yakıtlar aynı değildir. Çalıştırma veya performans sorunları yaşanırsa, yakıt tedarikçilerini veya markaları değiştirin. Bu motor benzinle çalışmak üzere sertifikalandırılmıştır. Karbüratörlü motorların emisyon kontrol sistemi EM (Motor Modifikasyonları)'dır. Elektronik yakıt enjeksiyonlu motorların emisyon kontrol sistemleri ECM (Motor Kontrol Modülü), MPI (Çok Portlu Enjeksiyon), TBI (Gaz Kumandası Gövdesi Yakıt Enjeksiyonu) ve eğer teçhiz edilmişse O2S (Oksijen Sensörü)'dür.

### Yüksek Rakım

5.000 fit (1524 metre) üzerindeki rakımlarda minimum 85 oktan/85 AKI (89 RON) benzine izin vardır.

Karbüratörlü motorlarda performansı korumak için yüksek rakım ayarı gereklidir. Bu ayar yapılmadan çalıştırılması performansının düşmesine, yakıt tüketiminin artmasına ve emisyonların artmasına neden olur. Yüksek irtifa ayarı bilgileri için Yetkili bir Briggs & Stratton Servis Bayisine başvurun. 2500 fit (762 metre) altındaki rakımlarda motorun yüksek rakım ayarı ile kullanılması tavsiye edilmez.

Elektronik Yakıt Enjeksiyonlu (EFI) motorlar için yüksek rakım ayarlamasına gerek yoktur.

## Yakıt Ekleyin



**UYARI**  
Yakıt ve buharları yanıcı ve patlayıcıdır. Yangın veya patlama yanklara veya ölüme yol açabilir.

### Yakıt eklerken

- Motoru durdurun. Yakıt kapağını çıkarmadan önce motorun soğuk olmasını sağlamak için en az iki (2) dakika bekleyin.
- Yakıt deposunu dış mekanda veya iyi hava akışı bulunan bir yerde doldurun.
- Depoya çok fazla yakıt koymayın. Yakıtın genişmesi için yakıt deposu boynunun alt kısmının üstüne kadar doldurmayın.
- Yakıtı kıvılcımlardan, açık alevlerden, pilot ateşlerden, ısıdan ve diğer tutuşturma kaynaklarından uzak tutun.
- Yakıt hatlarında, yakıt deposunda, yakıt kapağında ve bağlantılarda sık şekilde çatlak veya sızıntı incelemesi yapın. Hasarlı parçaları değiştirin.
- Yakıt döküldüğü takdirde motoru çalıştırmadan önce kurumasını bekleyin.

1. Yakıt kapağı çevresindeki kiri ve çöpü temizleyin. Yakıt doldurma kapağını çıkarın.
2. Yakıt deposuna (A, Şekil 6) yakıt doldurun. Yakıt genişleceği için yakıt deposu boynunun (B) alt kısmının üzerine kadar doldurmayın.
3. Yağ doldurma kapağını tekrar takın.

## Motoru Çalıştırın



### UYARI

Kazara motor kıvılcımı elektrik çarpmasına, yangına veya patlamaya yol açabilir ve takılmaya, travmatik uzuv kesilmesine veya yaralanmaya neden olabilir.

#### Ayar veya tamir yapmadan önce:

- Tüm buji kablolarını çıkarın ve bujilerden uzakta tutun.
- Akü kablosunu negatif akü terminalinden ayırın (yalnız elektrikli başlatma bulunan motorlar.)
- Yalnızca doğru aletleri kullanın.

#### Kıvılcım kontrolü yaparken:

- Onaylanmış bir buji test cihazı kullanın.
- Buji çıkarılmış halde kıvılcım kontrolü yapmayın.



### UYARI

Marş ipinin hızla geri gitmesi (geri tepme) elinizi ve kolunuzu bırakamayacağınız kadar hızlı şekilde motora doğru çeker. Kemik kırılmalarına, çatlaklara, morarmalara veya burkulmalara neden olabilir.

- Motoru çalıştırırken geri tepmeyi önlemek için, direnç hissedilinceye kadar marş ipini yavaş çekin ve sonra hızla çekin.
- Motoru çalıştırmadan önce harici tüm ekipmanı ve motor yüklerini ayırın veya kaldırın.
- Bir kısıtlama olmaksızın bıçaklar, pervaneler, makaralar ve zincir dişlileri gibi doğrudan bağlanan ekipman bileşenlerinin sağlam şekilde takılmış olmasına dikkat edin.



### UYARI

**ZEHİRLİ GAZ TEHLİKESİ.** Motor egzozusuzi dakikalar içerisinde öldürebilecek zehirli bir gaz olan karbonmonoksit içerir. Egzoz gazlarının kokusunu almanız bile tehlikeli karbonmonoksit gazına maruz kalabilirsiniz. Bu ürünü kullanırken rahatsızlık, baş dönmesi veya halsizlik hissetmeniz durumunda HEMEN temiz havaya çıkın. Doktora görünün. Karbonmonoksit zehirlenmesi yaşıyor olabilirsiniz.

- Kullanılan mekanlarda karbon monoksit gazı toplanabilir. Karbonmonoksit gazı riskini azaltmak için bu ürünü YALNIZCA dış mekanda ve pencerelerden, kapılardan ve hava deliklerinden uzakta çalıştırın.
- Üretici talimatlarına uygun şekilde pil ile çalışan karbonmonoksit alarmları kurun veya pil destekli karbon monoksit alarmları takın. Duman alarmları, karbonmonoksit gazını algılayamaz.
- Fan kullansanız ve havalandırma için kapıları ve pencereleri açsanız bile bu ürünü evlerde, garajlarda, bodrumlarda, döşeme altı boşluklarda, gölgeliklerde veya başka kapalı yerlerde ÇALIŞTIRMAYIN. Bu ürünü çalıştırdıktan sonra bu yerlerde hızla karbonmonoksit toplanabilir ve saatlerce kalabilir.
- Bu ürünü HER ZAMAN rüzgar altı yönde yerleştirin ve motor egzozunu kapalı alanlardan uzağa yönlendirin.

#### DİKKAT

Bu motor Briggs & Stratton tarafından yağsız olarak gönderilmektedir. Ekipman üreticileri veya bayiler motora yağ eklemiş olabilir. Motoru ilk kez çalıştırmadan önce yağın doğru seviyede olduğunu kontrol edin. Bu kılavuzdaki talimatlar tarafından belirtilen şekilde yağ ekleyin. Motoru yağsız olarak başlatmanız halinde zarar görür ve motor garantisi kapsamında tamir edilmez.

**NOT:** Donanımınızda uzaktan kumandalar bulunabilir. Uzaktan kumandaların yeri ve kullanımı hakkında bilgi için cihaz kılavuzuna bakın.

#### Başlatma Sistemi Tipleri

Motoru çalıştırmadan önce, motorunuzdaki başlatma sistemi tipini bilmeniz gerekir. Motorunuz şu sistem tiplerden birisine sahiptir.

- **Elektronik Yakıt Enjeksiyonu (EFI) Sistemi:** Bir EFI sisteminde jikle ya da primer bulunmamaktadır.
- **Elektronik Yakıt Yönetim Sistemi:** Elektronik Yakıt Yönetim sisteminde, motor ve sıcaklık koşullarını kontrol eden bir Elektronik Kontrol Ünitesi mevcuttur. Elle kullanılan jikle veya ateşleyici yoktur.
- **Jikle Sistemi:** Bu tip sistemde, soğuk havalarda kullanılmak üzere bir jikle bulunur. Bazı modellerde ayrı bir jikle kumandası varken bazılarında jikle ve gaz jikle kombinasyonu vardır. Bu tipin primeri bulunmamaktadır.

#### Elektronik Yakıt Enjeksiyonu (EFI) Sistemi

1. Motor yağını kontrol edin. **Motor Yağı Seviyesi Kontrolü** bölümüne bakınız.
2. Varsa, ekipman tahrik sistemi kumandasının devre dışı olduğundan emin olun.
3. Donatılmış ise, yakıt kapatmayı (A, Şekil 7) AÇIK durumuna getirin.
4. Eğer varsa, durdurma anahtarını (F, Şekil 7, 8), basarak AÇIK konumuna getirin.
5. Eğer varsa, gaz kelebeği kumandasını (B, Şekil 8), HIZLI konumuna getirin. Motoru HIZLI konumda çalıştırın.

6. **Makaralı Marş, eğer kontak anahtarı ile donatılmışsa:** Kontak anahtarını (D, Şekil 7, 8) AÇIK konumuna getirin.
7. **Makaralı Marş, varsa:** Marş ipinin kolunu (E, Şekil 7, 8) sıkı şekilde tutun. Marş ipinin kolunu direnç hissedilinceye kadar yavaşça çekin, sonra hızla çekin.



### UYARI

Marş ipinin hızla geri gitmesi (geri tepme) elinizi ve kolunuzu bırakabileceğinizden daha hızlı şekilde motora çeker. Kemik kırılmaları, çatlakları, yaralanma veya burkulmalar meydana gelebilir. Motoru çalıştırırken geri tepmeyi önlemek için, direnç hissedilinceye kadar marş ipini yavaş çekin ve sonra hızla çekin.

8. **Elektrikli Marş, varsa:** Elektrikli marş butonunu (D, Şekil 7, 8) AÇIK veya BAŞLAT konumuna getirin.

**DİKKAT** Marş motorunun ömrünü uzatmak için, kısa marş denemeleri (en fazla beş saniye) yapın. Başlatma döngüleri arasında bir dakika bekleyin.

3 veya 4 kez denemeden sonra motor çalışmazsa, bölge satıcınız ile iletişime geçin veya vanguardpower.com web sitesine gidin ya da 1-800-999-9333 numarasını arayın.

#### Elektronik Yakıt Yönetim Sistemi

1. Motor yağını kontrol edin. **Motor Yağı Seviyesi Kontrolü** bölümüne bakınız.
2. Varsa, ekipman tahrik sistemi kumandasının devre dışı olduğundan emin olun.
3. Donatılmış ise, yakıt kapatmayı (A, Şekil 7) AÇIK durumuna getirin.
4. Eğer varsa, durdurma anahtarını (F, Şekil 7, 8), basarak AÇIK konumuna getirin.
5. Eğer varsa, gaz kelebeği kumandasını (B, Şekil 8), HIZLI konumuna getirin. Motoru HIZLI konumda çalıştırın.
6. **Makaralı Marş, eğer kontak anahtarı ile donatılmışsa:** Kontak anahtarını (D, Şekil 7, 8) AÇIK konumuna getirin.
7. **Makaralı Marş, varsa:** Marş ipinin kolunu (E, Şekil 7, 8) sıkı şekilde tutun. Marş ipinin kolunu direnç hissedilinceye kadar yavaşça çekin, sonra hızla çekin.



### UYARI

Marş ipinin hızla geri gitmesi (geri tepme) elinizi ve kolunuzu bırakabileceğinizden daha hızlı şekilde motora çeker. Kemik kırılmaları, çatlakları, yaralanma veya burkulmalar meydana gelebilir. Motoru çalıştırırken geri tepmeyi önlemek için, direnç hissedilinceye kadar marş ipini yavaş çekin ve sonra hızla çekin.

8. **Elektrikli Marş, varsa:** Elektrikli marş butonunu (D, Şekil 7, 8) AÇIK veya BAŞLAT konumuna getirin.

**DİKKAT** Marş motorunun ömrünü uzatmak için, kısa marş denemeleri (en fazla beş saniye) yapın. Başlatma döngüleri arasında bir dakika bekleyin.

3 veya 4 kez denemeden sonra motor çalışmazsa, bölge satıcınız ile iletişime geçin veya vanguardpower.com web sitesine gidin ya da 1-800-999-9333 numarasını arayın.

#### Jikle Sistemi

1. Motor yağını kontrol edin. **Yağın Seviyesi Kontrolü ve Yağ Ekleme** bölümüne bakın.
2. Varsa, ekipman tahrik sistemi kumandasının devre dışı olduğundan emin olun.
3. Donatılmış ise, yakıt kapatmayı (A, Şekil 7) AÇIK durumuna getirin.
4. Eğer varsa, durdurma anahtarını (F, Şekil 7, 8), basarak AÇIK konumuna getirin.
5. Eğer varsa, gaz kelebeği kumandasını (B, Şekil 7), HIZLI konumuna getirin. Motoru HIZLI konumda çalıştırın.
6. Jikle kumandasını (C, Şekil 9, 10) KAPALI konumuna getirin.

**NOT:** Sıcak bir motoru çalıştırırken genellikle jikle gerekli değildir.

7. **Makaralı Marş, eğer kontak anahtarı ile donatılmışsa:** Kontak anahtarını (D, Şekil 7, 8) AÇIK konumuna getirin.
8. **Makaralı Marş, varsa:** Marş ipinin kolunu (E, Şekil 7, 8) sıkı şekilde tutun. Marş ipinin kolunu (E) direnç hissedilinceye kadar yavaşça çekin, sonra hızla çekin.



### UYARI

Marş ipinin hızla geri gitmesi (geri tepme) elinizi ve kolunuzu bırakabileceğinizden daha hızlı şekilde motora çeker. Kemik kırılmaları, çatlakları, yaralanma veya burkulmalar meydana gelebilir. Motoru çalıştırırken geri tepmeyi önlemek için, direnç hissedilinceye kadar marş ipini yavaş çekin ve sonra hızla çekin.

9. **Elektrikli Marş, eğer varsa:** Kontak anahtarını (D, Şekil 7, 8) AÇIK veya BAŞLAT konumuna getirin.

## DİKKAT

Marş motorunun ömrünü uzatmak için, kısa marş denemeleri (en fazla beş saniye) yapın. Başlatma döngüleri arasında bir dakika bekleyin.

10. Motor ısınınca, jikle kumandasını (C, Şekil 9, 10) AÇIK konumuna getirin.

**NOT:** Eğer 2-3 denemeden sonra motor çalışmazsa, yerel bayinize iletişime geçin ya da vanguardpower.com web sitesini ziyaret edin veya 1-800-999-9333 numarasını arayın.

## Motoru Durdurun



**UYARI**  
Yakıt ve buharları yanıcı ve patlayıcıdır. Yangın veya patlama yanıklara veya ölüme yol açabilir.

- Motoru durdurmak için karbüratörü (donatılmış ise) boğmayın.
1. **Durdurma Düğmesi, varsa:** Durdurma anahtarını (F, Şekil 11) KAPALI konumuna getirin.
  2. **Durdurma Anahtarı, varsa:** Eğer varsa, gaz kumandası YAVAŞ konumdayken, kontak anahtarını (D, Şekil 11) KAPALI konumuna getirin. Anahtarı çıkarın ve çocukların ulaşamayacağı güvenli bir yerde saklayın.
  3. Donatılmış ise, motor durduktan sonra yakıt kapatmayı (A, Şekil 11) KAPALI duruma getirin.

## Bakım

### Bakım Bilgileri



**UYARI**  
Yakıt ve buharları yanıcı ve patlayıcıdır. Yangın veya patlama yanıklara veya ölüme yol açabilir.

Bakım sırasında üniteyi eğmek gerektiği takdirde, yakıt deposu motorun üzerine monte edilmiş ise onun boş olmasına ve buji tarafının yukarıda kalmasına dikkat edin. Yakıt deposunun boş olmaması halinde sızıntı olabilir ve bir yangına veya patlamaya yol açabilir. Motor başka bir yöne eğildiği takdirde hava filtresinin veya bujinin yağ veya yakıt ile kirlenmesi yüzünden kolayca çalışmaya başlamayacaktır.



**UYARI**  
Kazara motor kıvılcımı elektrik çarpmasına, yangına veya patlamaya yol açabilir ve takılmaya, travmatik uzuv kesilmesine veya yaralanmaya neden olabilir.

### Ayar veya tamir yapmadan önce:

- Tüm buji kablolarını çıkarın ve bujilerden uzakta tutun.
- Akü kablosunu negatif akü terminalinden ayırın (yalnız elektrikli başlatma bulunan motorlar.)
- Yalnızca doğru aletleri kullanın.

### Kıvılcım kontrolü yaparken:

- Onaylanmış bir buji test cihazı kullanın.
- Buji çıkarılmış halde kıvılcım kontrolü yapmayın.



**UYARI**  
Yedek parçalar orijinal parçalarla aynı tasarımda olmalı ve aynı konumlara yerleştirilmelidir. Başka parçaların arıza yapmasına veya bir yaralanmaya neden olabilir.

## DİKKAT

Doğru çalışma için, bu motorun yapılmasında kullanılan tüm bileşenler yerlerinde olmalıdır.

Motor ve motor parçalarıyla ilgili tüm bakım ve onarım hizmetleri için bir Briggs & Stratton Yetkili Servis Bayisine başvurun.

## Emisyonlar Kontrol Servisi

Emisyon kontrol cihazlarının ve sistemlerinin bakımı, değiştirilmesi veya tamiri için ehliyetli bir yol dışı motor tamir kuruluşu veya servis teknisyeni ile görüşün. Ancak, "ücretsiz" emisyon kontrol hizmeti için bu işin fabrikanın yetkili bir bayisi tarafından yapılmalıdır. Emisyon Kontrol Beyanına bakın.

## Bakım Planı

### 8 Saatlik veya Günlük Aralıklarla

- Motor yağ seviyesini kontrol edin.
- Egzoz ve kumanda çevresindeki alanı temizleyin

### 100 Saatlik veya Yıllık Aralıklarla

- Bujileri değiştirin.
- Motor yağını değiştirin.
- Yağ filtresini (eğer varsa) değiştirin.
- Hava filtresine bakım uygulayın<sup>1</sup>.
- Ön temizleyiciyi (eğer varsa) temizleyin<sup>1</sup>.
- Egzoz sistemine bakım uygulayın.

### 250 Saatlik veya Yıllık Aralıklarla

- Valf açıklığını kontrol edin. Gerekirse değiştirin.

### 400 Saatlik veya Yıllık Aralıklarla

- Hava filtresini değiştirin.
- Yakıt filtresini değiştirin.
- Hava soğutma sistemine bakım uygulayın<sup>1</sup>.
- Yağ soğutma kanallarının temizleyin<sup>1</sup>.

<sup>1</sup> Tozlu koşullarda veya havada çok sayıda partikül olduğu zaman daha sık temizleyin.

## Elektronik Yakıt Enjeksiyonu (EFI) Sistemi

EFI Sistemi motorun çalıştırılması ve ısıtılması için motor sıcaklığını, motor devrini ve akü voltajını takip eder. Sistem herhangi bir ayar gerektirmemektedir. Çalıştırma veya kullanım esnasında sorunlarla karşılaşılması halinde Briggs & Stratton Yetkili Servis Bayisine başvurun.

**DİKKAT** Aşağıdaki adımlara uyduğunuzdan emin olun, aksi takdirde EFI sistemi hasar görebilir.

- Akü kabloları gevşekken motoru ÇALIŞTIRMAYIN.
- Akü bağlantılarını ayırmadan, aküyü sökmeden ve/veya takmadan önce anahtarı KAPALI konumuna getirin.
- Motoru çalıştırmak için akü şarj cihazı KULLANMAYIN.
- Motorun çalışması esnasında akü kablolarını ÇIKARMAYIN.
- Akü kablolarını çıkardığınız zaman, ilk olarak pozitif (+) kabloyu ve sonrasında negatif (-) kabloyu aküye bağlayın.
- Aküyü şarj ettiğiniz zaman, kontak anahtarını KAPALI konuma getirin ve akünün negatif (-) kablosunu aküden ayırın.
- Elektronik Kontrol Modülü üzerine doğrudan su PÜSKÜRTMEYİN.

## Elektronik Yakıt Yönetim Sistemi

Elektronik Yakıt Yönetim Sistemi motorun çalıştırılması ve ısıtılması sırasında jikleyi ayarlamak için motor sıcaklığını, motor devrini ve akü voltajını takip eder. Sistem herhangi bir ayar gerektirmemektedir. Çalıştırma veya kullanım esnasında sorunlarla karşılaşılması halinde Briggs & Stratton Yetkili Servis Bayisi ile iletişime geçin.

**DİKKAT** Aşağıdaki talimatları izlediğinizden emin olun, aksi halde Elektronik Yakıt Yönetim Sistemi hasar görebilir.

- Akü kabloları gevşekken motoru ÇALIŞTIRMAYIN.
- Hızlı başlatma kablolarını bağlamadan veya akü kablolarını çıkarmadan veya yeniden takmadan önce, kontak anahtarını KAPALI konuma getirin. Akü şarj edilirken, kontak anahtarı KAPALI konuma getirilmelidir.
- Akü kablolarını aküden çıkarırken, ilk olarak negatif (-) kabloyu ve sonrasında pozitif (+) kabloyu aküden çıkarın. Akü kablolarını aküye bağlarken, ilk olarak pozitif (+) kabloyu ve sonrasında negatif (-) kabloyu aküye bağlayın.
- Motoru çalıştırmak için akü şarj cihazı KULLANMAYIN.
- Motorun çalışması esnasında akü kablolarını ÇIKARMAYIN.
- Elektronik Kontrol Ünitesi üzerine doğrudan su PÜSKÜRTMEYİN.

## Karbüratör ve Motor Hızı

Motor hızını ayarlamak için karbüratör, guvernör yayı, bağlantıları veya başka parçalarda ayarlamalar yapmayın. Herhangi bir ayar gerektiği zaman, servis için bir Briggs & Stratton Yetkili Servis Bayisi ile görüşün.

## DİKKAT

Ekipmana takılmış motor için en yüksek hızı ekipmanın üreticisi belirler. Bu hızı geçmeyin. Ekipman için en yüksek hızdan emin olmadığınız veya fabrikada hızın ne şekilde ayarlandığını bilmediğiniz zaman yardım için Briggs & Stratton Yetkili Servis Bayisi ile görüşün. Ekipmanın güvenli ve doğru çalışması için motor hızının yalnızca ehliyetli bir servis teknisyeni tarafından ayarlanması gerekir.

## Bujinin Bakımı

Bir tel mastarı (B) kullanarak buji aralığını (A, Şekil 12) kontrol edin. Gerekli ise buji aralığını ayarlayın. Bujiyi monte edin ve doğru torca sıkın. Aralık veya tork teknik özellikleri için, **Teknik Özellikler** bölümüne bakın.

## Egzoz Sisteminin Bakımı



**UYARI** Çalışma sırasında motor ve susturucu ısınır. Sıcak bir motora dokunmanız halinde ısı yanıklar meydana gelebilir.

**Yaprak, çimen ve çalı gibi yanıcı maddeler alev alabilir.**

- Motora veya susturucuya dokunmadan önce motoru dururun ve iki (2) dakika bekleyin. Motorun ve susturucunun dokunmak için güvenli olmasına dikkat edin.
- Susturucudan ve motordan çöpleri temizleyin.

Egzoz sistemi etkili şekilde çalışır durumda tutulmak üzere bölüm 4442'de tanımlanan şekilde bir kıvılcım durdurucu ile donatılmış olmadığı sürece, motorun orman kaplı, çalılık kaplı veya ot kaplı alanlarda kullanılması Kaliforniya Eyaleti Public Resource Code Bölüm 4442'nin ihlal edilmesine neden olur. Diğer eyaletlerde veya federal yetki bölgelerinde benzer yasalar bulunabilir; Federal Yönetmelik 36 CFR Bölüm 261.52'ye bakın. Bu motorun egzoz sistemi için tasarlanmış bir kıvılcım tutucu almak için orijinal cihaz üreticisine, perakendeciye veya bayiye başvurun.

Susturucu ve silindir bölgesinden çöpü temizleyin. Susturucuda çatlak, korozyon veya diğer hasarların olup olmadığını kontrol edin Eğer varsa deflektörü veya kıvılcım tutucuyu sökün ve hasar veya karbon tıkanması olup olmadığını kontrol edin. Hasar bulunması halinde donanımı çalıştırmadan önce yedek parçaları monte edin.



**UYARI** Yedek parçalar orijinal parçalarla aynı tasarımda olmalı ve aynı konumlara yerleştirilmelidir. Başka parçaların arıza yapmasına veya bir yaralanmaya neden olabilir.

## Motor Yağının Değiştirilmesi



**UYARI** Yakıt ve buharları yanıcı ve patlayıcıdır. Yangın veya patlama yanıklara veya ölüme yol açabilir.

**Çalışma sırasında motor ve susturucu ısınır. Sıcak bir motora dokunmanız halinde ısı yanıklar meydana gelebilir.**

- Yağı üst yağ doldurma borusundan boşaltmanız halinde yakıt deposu boş olmalıdır. Boş olmaması halinde yakıt sızabilir ve yangına veya patlamaya yol açabilir.
- Motora veya susturucuya dokunmadan önce motoru dururun ve iki (2) dakika bekleyin. Motorun ve susturucunun dokunmak için güvenli olmasına dikkat edin.

Kullanılmış yağ tehlikeli bir atık maddedir ve doğru şekilde atılmalıdır. Evsel atığınızla birlikte çöpe atmayın. Güvenli şekilde atmak veya geri dönüşürme tesisleri için yerel makamlarınıza, servis merkezine veya bayiye başvurun.

## Yağın Boşaltılması

1. Motor KAPALI fakat halen sıcak iken, buji kablosunu (kablolarını) (D, Şekil 13) sökün ve buji(ler)den (E) uzakta tutun.
2. Yağ çubuğunu çıkarın (A, Şekil 14, 15).
3. Yağ boşaltma tapasını sökün (F, Şekil 16, 17). Yağı bu işlem için onaylanmış bir kaba boşaltın.
4. Yağ boşaltma tapasını (F, Şekil 16, 17) takın ve sıkın.

## Yağ Filtresini Değiştirin (eğer varsa)

1. Motordaki yağı boşaltın. **Yağın Boşaltılması** bölümüne bakın.
2. Yağ filtresini (G, Şekil 18, 19) çıkarın ve doğru şekilde atın.
3. Yeni yağ filtresini takmadan önce yağ filtresi contasını temiz yağ ile hafifçe yağlayın.
4. Yağ filtresini, conta yağ filtresi adaptörüne temas edinceye kadar elinizle yerleştirin, sonra yağ filtresini 1/2 ile 3/4 tur arasında sıkın.
5. Yağ ekleyin. **Yağ Ekleme** bölümüne bakın.
6. Motoru başlatın ve çalıştırın. Motor ısındığı zaman yağ sızıntısı olup olmadığını kontrol edin.
7. Motoru durdurun. Yağ seviyesinin, yağ çubuğundaki dolu göstergesinin tepesinde olduğunu kontrol edin. **Yağ Ekleme** bölümüne bakın.

## Yağ Ekleme

- Motorun yatay olduğunu kontrol edin.
  - Yağ doldurma alanından kirleri temizleyin.
  - Yağ kapasitesi için **Teknik Özellikler** bölümüne bakın.
1. Yağ çubuğunu çıkarın (A, Şekil 20, 21). Yağ çubuğundaki yağı temiz bir bezle temizleyin.

2. Motor yağ doldurma ağzından yavaşça yağ ekleyin (C, Şekil 20, 21) **Aşırı doldurmayın**. Bir dakika bekleyin ve ardından yağ seviyesini kontrol edin.
3. Kontrol çubuğunu yerine takın ve sıkıştırın (A, Şekil 20, 21).
4. Yağ çubuğunu çıkarın ve yağ seviyesini kontrol edin. Doğru yağ seviyesi, yağ çubuğu üzerindeki tam dolu işaretinin üzeridir (B, Şekil 20, 21)
5. Kontrol çubuğunu yerine takın ve sıkıştırın (A, Şekil 20, 21).
6. Buji kablosunu (kablolarını) (D, Şekil 20) bujiye (bujilere) bağlayın.

## Hava Filtresinin Bakımı



**UYARI** Yakıt buharları yanıcıdır ve patlayıcıdır. Yangın veya patlama yanıklara veya ölüme yol açabilir.

- Hava temizleyici tertibatı (donatılmış ise) veya hava filtresi (donatılmış ise) sökülmüş olarak motoru başlatmayın ve çalıştırmayın.

## DİKKAT

Filtreyi temizlemek için basınçlı hava veya çözücü kullanmayın. Basınçlı hava filtrede zarara yol açabilir ve çözücüler filtreyi eritir.

Servis şartları için **Bakım Programına** bakın.

Bazı modellerde yıkanabilen ve tekrar kullanılabilen isteğe bağlı bir ön temizleyici bulunmaktadır. Bu kılavuzdaki resimleri, motorunuzdaki tiplere karşılaştırın.

1. **Yakıt Deposuz modeller:** Bağlantı elemanlarını (A, Şekil 22) açın ve kapağı (B) çıkartın.
2. **Yakıt Depolu modeller:** Bağlantı eleman(lar)ını (C, Şekil 23) ve kapağı (D) çıkartın.
3. Somunu (D, Şekil 22, 23) ve klipsi (E) çıkartın.
4. Hava filtresini çıkartın (F, Şekil 22, 23).
5. Eğer varsa, ön temizleyiciyi (G, Şekil 22, 23), hava filtresinden (F) çıkartın.
6. Kiri gevşetmek için, filtreyi (F, Şekil 22, 23) sert bir zemine hafifçe vurun. Hava filtresi kirliliğe ise, bunu yeni bir filtre ile değiştirin.
7. Eğer varsa, ön temizleyiciyi (G, Şekil 22, 23) sıvı deterjan ve suyla yıkayın. Ön temizleyiciyi hava ile tamamen kurumaya bırakın. Ön temizleyiciyi **YAĞLAMAYIN**.
8. Eğer varsa, ön temizleyiciyi (G, Şekil 22, 23), hava filtresine (F) yerleştirin.
9. Hava filtresini (F, Şekil 22, 23) takın ve klips (E) ve somunu (D) kullanarak sıkın.
10. Kapağı yerleştirin (B, Şekil 22, 23).

## Yakıt Sistemi Bakımı



**UYARI** Yakıt ve buharları yanıcı ve patlayıcıdır. Yangın veya patlama yanıklara veya ölüme yol açabilir.

- Yakıtı kıvılcımlardan, açık alevlerden, pilot ateşlerden, ısıdan ve diğer tutuşurma kaynaklarından uzak tutun.
- Yakıt hatlarında, yakıt deposunda, yakıt kapağında ve bağlantılarda sık şekilde çatlak veya sızıntı incelemesi yapın. Hasarlı parçaları değiştirin.
- Yakıt döküldüğü takdirde motoru çalıştırmadan önce kurumasını bekleyin.

## Yakıt Filtresi, takılmışsa

1. Yakıt filtresini (A, Şekil 24) temizlemeden önce yakıt deposunu boşaltın veya yakıt kapatma valfini kapatın. Yakıt deposunun boşaltılmamış olması halinde, yakıt sızıntısı olabilir ve yangına veya patlamaya yol açabilir.
2. Kelepçelerin (C) üzerindeki tırnakları (B, Şekil 24) sıkmak için pense kullanın, ardından kelepçeleri yakıt filtresinden (A) uzağa taşıyın.
3. Yakıt borularını (D, Şekil 24) çevirin ve yakıt filtresinden çekin.
4. Yakıt hatlarında (D, Şekil 24) çatlak veya kaçak olmadığını kontrol edin. Gerekirse yakıt borularını değiştirin.
5. Yakıt filtresini (A, Şekil 24) yenisiyle değiştirin.
6. Yakıt hatlarını (D, Şekil 24) kelepçelerle (C) tutturun.

## Soğutma Sisteminin Bakımı



**UYARI** Çalışma sırasında motor ve susturucu ısınır. Sıcak bir motora dokunmanız halinde ısı yanıklar meydana gelebilir.

**Yaprak, çimen ve çalı gibi yanıcı çöp alev alabilir.**

- Motora veya susturucuya dokunmadan önce motoru dururun ve iki (2) dakika bekleyin. Motorun ve susturucunun dokunmak için güvenli olmasına dikkat edin.
- Susturucudan ve motordan çöpleri temizleyin.



## DİKKAT

Motoru temizlemek için su kullanmayın. Su, yakıt sisteminde kirlenmeye yol açabilir. Motoru temizlemek için fırça ya da kuru kumaş kullanın.

Bu, hava soğutmalı bir motordur. Kir veya birikintiler hava akışını engelleyebilir ve motorun aşırı ısınmasına ve sonuçta düşük performans ile çalışmasına ve motor ömrünün azalmasına neden olabilir.

1. Fırça veya kuru bez kullanarak hava girişi ızgarasındaki çöpü temizleyin.
2. Bağlantıları, yayları ve kumandaları temiz tutun.
3. Donatılmış ise, susturucunun çevresinde ve arka tarafında yanıcı çöpler bulunmamasını sağlayın.
4. Donatılmış ise, yağ soğutucu kanatçıklarının temiz olmasına dikkat edin.

Belirli bir süreden sonra silindir soğutma kanallarında birikinti oluşabilir ve bu da motorun aşırı ısınmasına neden olabilir. Bu istenmeyen materyal, motor kısmi olarak sökülmeden giderilemez. Hava soğutma sistemini Briggs & Stratton Yetkili Servis Bayisine **Bakım Programında** tavsiye edilen şekilde inceletin ve temizletin.

## Saklama Yakıt Sistemi

Bkz. Figure: 25.



**UYARI** Yakıt ve buharları yanıcı ve patlayıcıdır. Yangın veya patlama yanıklara veya ölüme yol açabilir.

### Yakıt Depolama

- Pilot ışıklar veya başka ateşleme kaynakları patlamalara yol açabileceği için yakıtı veya donanımı fırınların, ocakların, su ısıtıcılarının veya pilot ışığı olan başka cihazların uzağında tutun.

Motoru yatay şekilde (normal çalışma konumu) tutun. Yakıt deposuna (A, Şekil 25) yakıt doldurun. Yakıtın genişmesi için yakıt deposu boynundan (B) yukarıya doldurmayın.

Yakıt, 30 günden fazla bir kaptan saklanması halinde bayatlayabilir. Yakıtta verim kaybını önlemek ve yakıtı taze tutmak için, yakıt depolama kabına alkol içermeyen bir yakıt stabilizatörü ve etanol uygulanması tavsiye edilir.

Yakıt kabını yakıtla doldurduğunuzda, üreticinin talimatlarında belirtildiği şekilde alkol içermeyen bir yakıt stabilizatörü ekleyin. Motordaki benzine bir yakıt stabilizatörü ilave edilmezse, benzin onaylı bir kaba boşaltılmalıdır. Motoru yakıt tükenene kadar çalıştırın.

## Motor Yağı

Motor hala sıcakken, motor yağını değiştirin. **Motor Yağının Değiştirilmesi** bölümüne bakın.

## Sorun Giderme Yardım

Yardım için yerel bayiniz ile görüşün veya **BRIGGSandSTRATTON.COM** adresine gidin veya **1-800-444-7774** telefon numarasını arayın (ABD'de).

## Teknik Özellikler

### Teknik Özellikler ve Servis Parçaları

MODELLER: 290000, 300000	
Silindir hacmi	29.23 ci (479 cc)
Çap	2.677 inç (68 mm)
Strok	2.598 inç (66 mm)
Yağ Kapasitesi	46 - 48 oz (1,36 - 1,42 L)
Buji Tırnak Aralığı	.030 inç (.76 mm)
Buji Tırnak Torku	180 lb-inç (20 Nm)
Armatür Hava Aralığı - Karbüratör Modelleri	.008 - .012 inç (.20 - .30 mm)
Emme Valfi Boşluğu	.004 - .006 inç (.10 - .15 mm)
Egzoz Valfi Boşluğu	.004 - .006 inç (.10 - .15 mm)

MODEL: 350000	
Silindir hacmi	34.78 ci (570 cc)
Çap	2.835 inç (72 mm)
Strok	2.756 inç (70 mm)
Yağ Kapasitesi	46 - 48 oz (1,36 - 1,42 L)

MODEL: 350000	
Buji Tırnak Aralığı	.030 inç (.76 mm)
Buji Tırnak Torku	180 lb-inç (20 Nm)
Armatür Hava Aralığı - Karbüratör Modelleri	.008 - .012 inç (.20 - .30 mm)
Emme Valfi Boşluğu	.004 - .006 inç (.10 - .15 mm)
Egzoz Valfi Boşluğu	.004 - .006 inç (.10 - .15 mm)

MODEL: 380000	
Silindir hacmi	38.26 ci (627 cc)
Çap	2.972 inç (75,5 mm)
Strok	2.756 inç (70 mm)
Yağ Kapasitesi	46 - 48 oz (1,36 - 1,42 L)
Buji Tırnak Aralığı	.030 inç (.76 mm)
Buji Tırnak Torku	180 lb-inç (20 Nm)
Armatür Hava Aralığı - Karbüratör Modelleri	.008 - .012 inç (.20 - .30 mm)
Emme Valfi Boşluğu	.004 - .006 inç (.10 - .15 mm)
Egzoz Valfi Boşluğu	.004 - .006 inç (.10 - .15 mm)

Motor gücü, deniz seviyesinin üzerinde her 1000 fitte (300 metre) %3,5 oranında ve 77°F (25°C) üzerinde her 10°F (5,6°C) derecede %1 oranında düşecektir. 15"ye kadar açıda motor tatmin edici bir şekilde çalışacaktır. Yokuşlarda izin verilen güvenli kullanım sınırları için cihazın Kullanma Kılavuzuna bakın.

MODELLER: 290000, 300000, 350000, 380000	
Servis Parçası	Parça Numarası
Hava Filtresi (yakıt deposu, Şekil 23)	383857
Hava Filtresi (Model 380000 hariç, Şekil 22)	394018
Hava Filtresi (Model 380000, 22)	692519
Hava Filtresi, Ön Temizleyici (yakıt deposu, Şekil 23)	271794
Hava Filtresi, Ön Temizleyici (Model 380000 hariç, Şekil 22)	272490
Hava Filtresi, Ön Temizleyici (Model 380000, Şekil 22)	692520
Yağ - SAE 30	100028
Yağ Filtresi	842921
Yakıt Filtresi (yakıt deposu)	808116
Yakıt Filtresi (yakıt pompalı)	845125
Yakıt Filtresi (yakıt pompasız)	298090
Rezistör Buji	491055S
Uzun Ömürlü Platin Buji	696202, 5066K
Buji Anahtar	19576S
Buji Test Aygıtı	84003327

Motor ve motor parçalarıyla ilgili tüm bakım ve onarım hizmetleri için bir Briggs & Stratton Yetkili Bayisine başvurmanızı tavsiye ediyoruz.

## Güç Değerleri

Münferit benzin motoru modelleri için brüt güç sınıflandırması SAE (Otomotiv Mühendisleri Birliği) kod J1940 Küçük Motor Güç ve Tork Sınıflandırma Prosedürüne göre etiketlenmiştir ve SAE J1995'e göre sınıflandırılmıştır. Tork değerleri, etiketinde "dev/dak" yazan motorlar için 2600 dev/dak üzerinden, tüm diğerleri için 3060 Dev/Dak üzerinden hesaplanmıştır; beygir gücü değerleri 3600 Dev/Dak üzerinden hesaplanmıştır. Brüt güç eğrileri [www.BRIGGSandSTRATTON.COM](http://www.BRIGGSandSTRATTON.COM) adresinde görülebilir. Net güç değerleri egzoz ve hava temizleyici takılarak, brüt güç değerleri ise bu ataşmanlar olmadan alınmıştır. Fiili brüt motor gücü net motor gücünden yüksek olacaktır ve başka şeylerin yanında ortam çalışma koşullarına ve motordan motora olan farklılığa bağlı olacaktır. Motorların takıldığı geniş ürün çeşitliliğine bakıldığında, benzin motoru belirli bir donanımda kullanıldığı zaman nominal brüt gücü veremeyebilir. Bu fark, bir sınıflandırma olmaksızın, motor parçalarının çeşitliliği (hava temizleyici, egzoz, şarj etme, soğutma, karbüratör, yakıt pompası vb.), uygulama sınırlamaları, ortam çalışma koşulları (sıcaklık, nem, rakım) ve motordan motora değişkenlik dâhil olmak üzere çeşitli etkenlere bağlıdır. Üretim ve kapasite sınırlamalarından dolayı Briggs & Stratton bir motorun yerine daha yüksek bir güç sınıfından bir motor koyabilir.

# Garanti

## Briggs & Stratton® Motor Garantisi

Yürürlük Tarihi: Ağustos 2022

### Sınırlı Garanti

Briggs & Stratton aşağıda belirtilen garanti süresi boyunca malzemeden veya işçilikten ya da her ikisinden kaynaklanan bir kusuru olan herhangi bir parçayı ücretsiz tamir etmeyi veya yeni, yenilenmiş veya yeniden üretilmiş bir parçayla değiştirmeyi garanti etmektedir. Bu garanti uyarınca tamir veya değiştirme için gönderilen ürünlerin nakliye giderleri müşteriye aittir. Bu garanti aşağıda belirtilen süreler ve koşullar için geçerlidir ve onlara tabidir. Garanti hizmeti için, size en yakın Yetkili Servis Bayisini BRIGGSandSTRATTON.COM dahilindeki bayi arama haritasında bulabilirsiniz. Müşteri Yetkili Servis Sağlayıcı ile irtibata geçmeli ve ürünün Yetkili Servis Sağlayıcı tarafından incelenip test edilmesi için uygun şartları sağlamalıdır.

**Başka bir açık garanti yoktur. Satılabilirlik ve belirli bir amaca uygunluk dahil olmak üzere zımnı garantiler, satın alma tarihinden itibaren bir yıl için ya da yasalar tarafından izin verilen süre ile sınırlıdır. Tüm diğer zımnı garantiler kapsam dışıdır. Arızı veya sonuç şeklindeki hasarların sorumluluğu yasaların istisnaya izin verdiği ölçüde kapsam dışında tutulacaktır.** Bazı devletler veya ülkeler dolaylı bir garantinin ne kadar sürdüğüne bir sınırlama getirilmesine izin vermemektedir ve bazı devletler veya ülkeler arızı veya sonuç şeklindeki hasarların dışarıda tutulmasına veya sınırlanmasına izin vermemektedir ve bu nedenle yukarıdaki sınırlama ve istisna sizin için geçerli olmayabilir. Bu garanti size belirli yasal haklar ve devletten devlete ve ülkeden ülkeye değişen bazı diğer haklar verir.

Standart Garanti Koşulları <sup>1, 2</sup>
<b>Vanguard®; Ticari Seri</b>
Tüketici Kullanımı - 36 ay
Ticari Kullanım - 36 ay
<b>XR Serisi</b>
Tüketici Kullanımı - 24 ay
Ticari Kullanım - 24 ay
<b>Dura-Bore™ Dökme Demir Kovanlı Diğer Tüm Motorlar</b>
Tüketici Kullanımı - 24 ay
Ticari Kullanım - 12 ay
<b>Tüm Diğer Motorlar</b>
Tüketici Kullanımı - 24 ay
Ticari Kullanım - 3 ay

<sup>1</sup> Bunlar bizim standart garanti koşullarımızdır, ama nadiren kitapçıının basım tarihinde henüz belirlenmemiş ilave garanti kapsamı olabilir. Motorunuzun güncel garanti koşulları için BRIGGSandSTRATTON.COM web sitesine gidin veya Briggs & Stratton Yetkili Servis Bayinize başvurun.

<sup>2</sup> Ana güç kaynağı olarak şebeke elektriği yerine jeneratör kullanan cihazların motorları, ticari amaçlı kullanılan yedek güç jeneratörleri, 25 MPH'yi aşan ticari araçlar veya yarış pistinde ya da ticari veya kiralık pistlerde kullanılan motorlar için garanti geçerli değildir.

\* Avustralya'da - Ürünlerimiz Avustralya Tüketici Yasası uyarınca kapsam dışında tutulamayan garantiler ile gelmektedir. Büyük bir arıza için ürün değiştirme veya ücret iadesi hakkınız ve makul olarak önceden tahmin edilebilen başka bir kayıp veya hasar için tazminat hakkınız bulunmaktadır. Ayrıca ürünler kabul edilebilir kalitede olmadığı ve arıza büyük arıza niteliğinde olmadığı zaman da ürünlerin değiştirilmesi ve tamir edilmesi hakkınız vardır. Garanti hizmeti için, BRIGGSandSTRATTON.COM adresindeki bayi arama haritasını kullanarak veya 1300 274 447 numaralı telefonu arayarak ya da salesenquires@briggsandstratton.com.au adresine e-posta göndererek veya Briggs & Stratton Australia Pty Ltd, 1 Moorebank Avenue, Moorebank, NSW, Australia, 2170 posta adresine yazarak size en yakın Yetkili Servis Bayisini bulun.

Garanti süresi ilk bireysel tüketici veya ticari son kullanıcının ürünü satın alma tarihinde başlar ve yukarıdaki tabloda belirtilen süre boyunca devam eder. "Tüketici kullanımı", bir perakende tüketicisi tarafından mesken amaçlı kişisel kullanım anlamına gelir. "Ticari kullanım", ticari, gelir elde etme veya kiralama amaçları da dahil olmak üzere diğer tüm kullanımlar anlamına gelir. Bir motor bir defalık ticari kullanımın ardından, ticari kullanım motoru olarak kabul edilecektir ve bu garanti kapsamında ticari motor şartlarına tabi olacaktır.

**Briggs & Stratton ürünleri ile ilgili garanti almak için, garanti kaydı yapılması gerekmez. Satın alma makbuzunuzu saklayın. Garanti servisi talep edildiği zaman, ilk satın alma tarihinin kanıtını sağlayamamanız halinde, garanti süresini belirlemek için ürünün üretim tarihi kullanılacaktır.**

### Garanti Kapsamı Hakkında Bilgi

Bu garanti sadece motorla ilgili arızalı malzeme ve/veya işçiliği kapsar, motorun monte edildiği cihazların değiştirilmesini veya iadesini kapsamaz. Rutin bakım, ayarlamalar, düzeltmeler, veya normal aşınma/yıpranmalar bu garanti kapsamına girmez. Benzer olarak, motorda değişiklik veya modifikasyon yapılmışsa, ya da motor seri numarası

silinmiş veya sökülümüşse garanti geçerli değildir. Bu garanti aşağıdakilerin neden olduğu motor hasarını veya performans sorunlarını kapsamamaktadır:

1. Orijinal Briggs & Stratton parçalarıBriggs & Stratton
2. Motorun yetersiz, kirli veya hatalı nitelikteki yağla çalıştırılması;
3. Kirli veya eski yakıt, %10'dan yüksek etanolla formüle edilmiş benzin veya sıvı petrol ya da doğal gaz gibi alternatif yakıtların, orijinalde Briggs & Stratton tarafından bu yakıtlarla kullanıma göre tasarlanmamış/üretilmemiş motorlarda kullanımı;
4. Hava temizleyiciye iyi bakım yapılmaması veya yerine düzgün monte edilmemesi nedeniyle motora giren kirler;
5. Döner çim biçme makinesi bıçağına sert bir cismin çarpması, gevşek veya hatalı takılmış bıçak adaptörleri, çark veya diğer krank miline bağlı aksamlar, ya da aşırı gergin v kayışı;
6. Debriyajlar, transmisyonlar, ekipman kumandaları, vs. gibi Briggs & Stratton tarafından tedarik edilmeyen ilgili parça veya donanımlar;
7. Soğutma kanallarını ya da volan bölgesini kapayan veya tıkayan çim kırıntıları, kir ve artıklar, veya kemirgen yuvaları;
8. Aşırı hız, gevşek motor montajı veya dengesiz bıçak veya çarklar, ya da ekipman parçalarının krank miline yanlış bağlanmasından kaynaklanan aşırı titreşim;
9. Hatalı kullanım, rutin bakım, nakliye, taşıma veya depolama eksiklikleri veya hatalı motor montajı.

Garanti servisi yalnız Yetkili Briggs & Stratton Servis Bayileri aracılığı ile verilmektedir. Size en yakın Yetkili Servis Merkezini BRIGGSandSTRATTON.COM'daki yetkili servis arama haritasında veya 1-800-444-7774 numaralı (ABD'de) telefonu arayarak bulabilirsiniz.

80114782 (Revizyon A)

Not for reproduction

**VANGUARD®**

Not for reproduction