



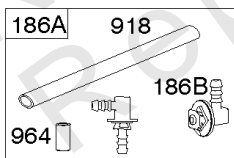
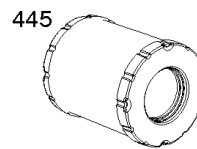
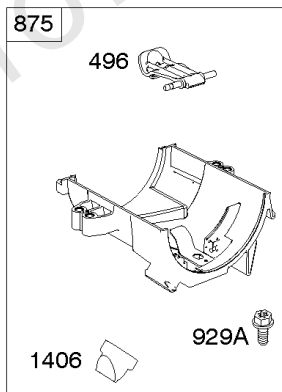
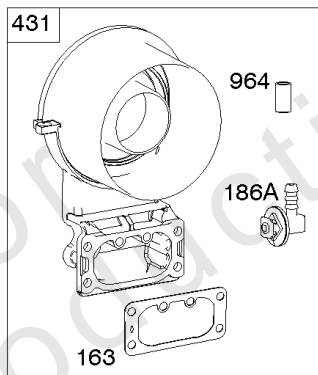
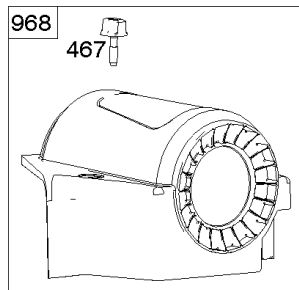
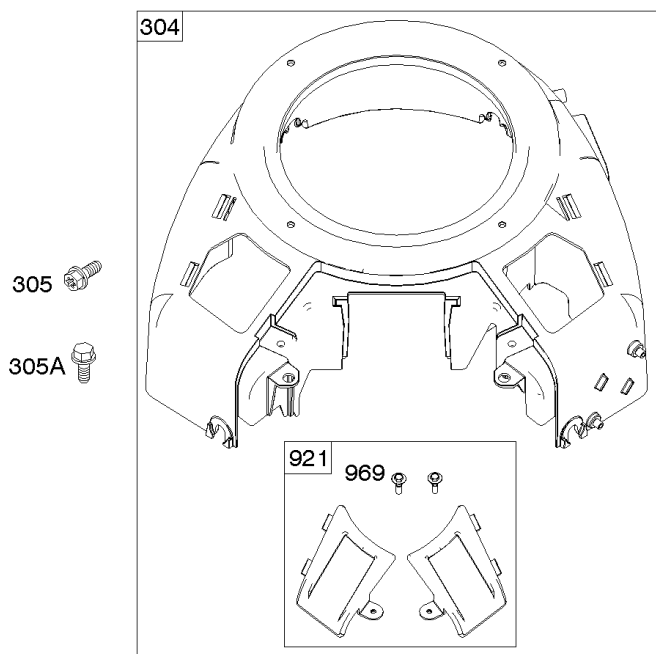
# Parts Manual

Mfg. No: 49T777-0002-G1



| <b>Model Components</b>                                     | <b>Page</b> |
|---|-------------|
| Blower Housing, Air Cleaner. ....                           | 4           |
| Carburetor, Fuel Supply. ....                               | 6           |
| Cylinder Head, Rocker Arm Cover, Intake Manifold. ....      | 10          |
| Cylinder, Crankshaft, Camshaft, Air Guides. ....            | 14          |
| ECU Module. ....  | 18          |
| Engine Sump, Lubrication, Oil Cooler. ....                  | 20          |
| Engine/Valve Gasket Set, Carburetor Overhaul Kit. ....      | 24          |
| Flywheel, Controls, Wire Harness, Alternator, Starter. .... | 26          |
| Replacement Engine - US & Canada. ....                      | 28          |
| Model 40, 44 & 49 Engine Accessories Catalog. ....          | 29          |
| Maintenance Kits. ....                                      | 30          |
| Engine Mounted Below Deck Mufflers. ....                    | 32          |
| Engine Mounted Above Deck Mufflers. ....                    | 34          |
| Spark Arrester/Deflector. ....                              | 36          |
| Lubrication. ....   | 38          |
| Implement Mounted Above Deck Mufflers. ....                 | 40          |
| Exhaust/Muffler Configurations. ....                        | 42          |
| Electrical. ....  | 44          |
| Flywheel Guards. ....                                       | 46          |
| Speed Control. ....   | 48          |
| Muffler Mounting Hardware. ....                             | 50          |

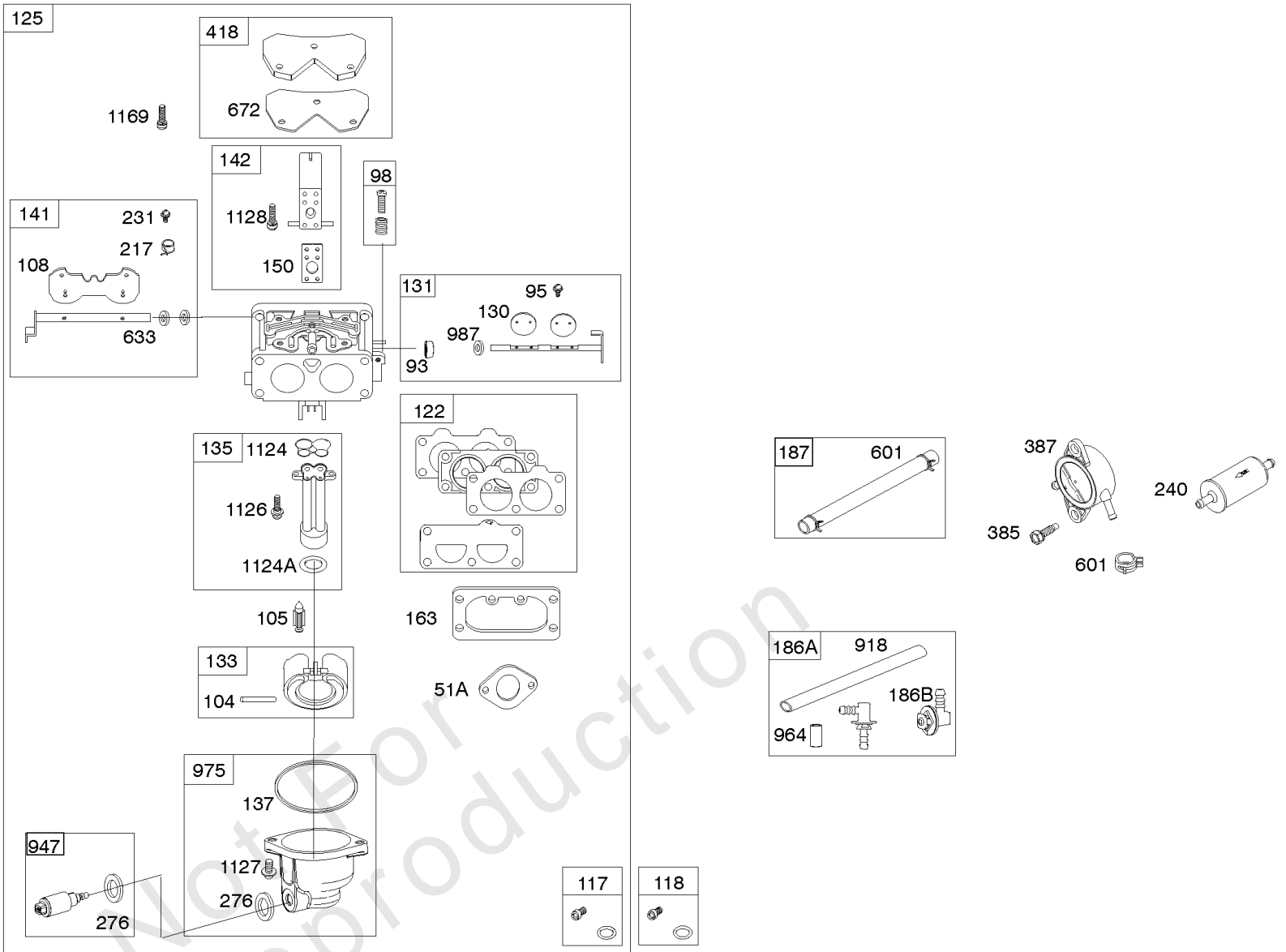
Not For  
Reproduction





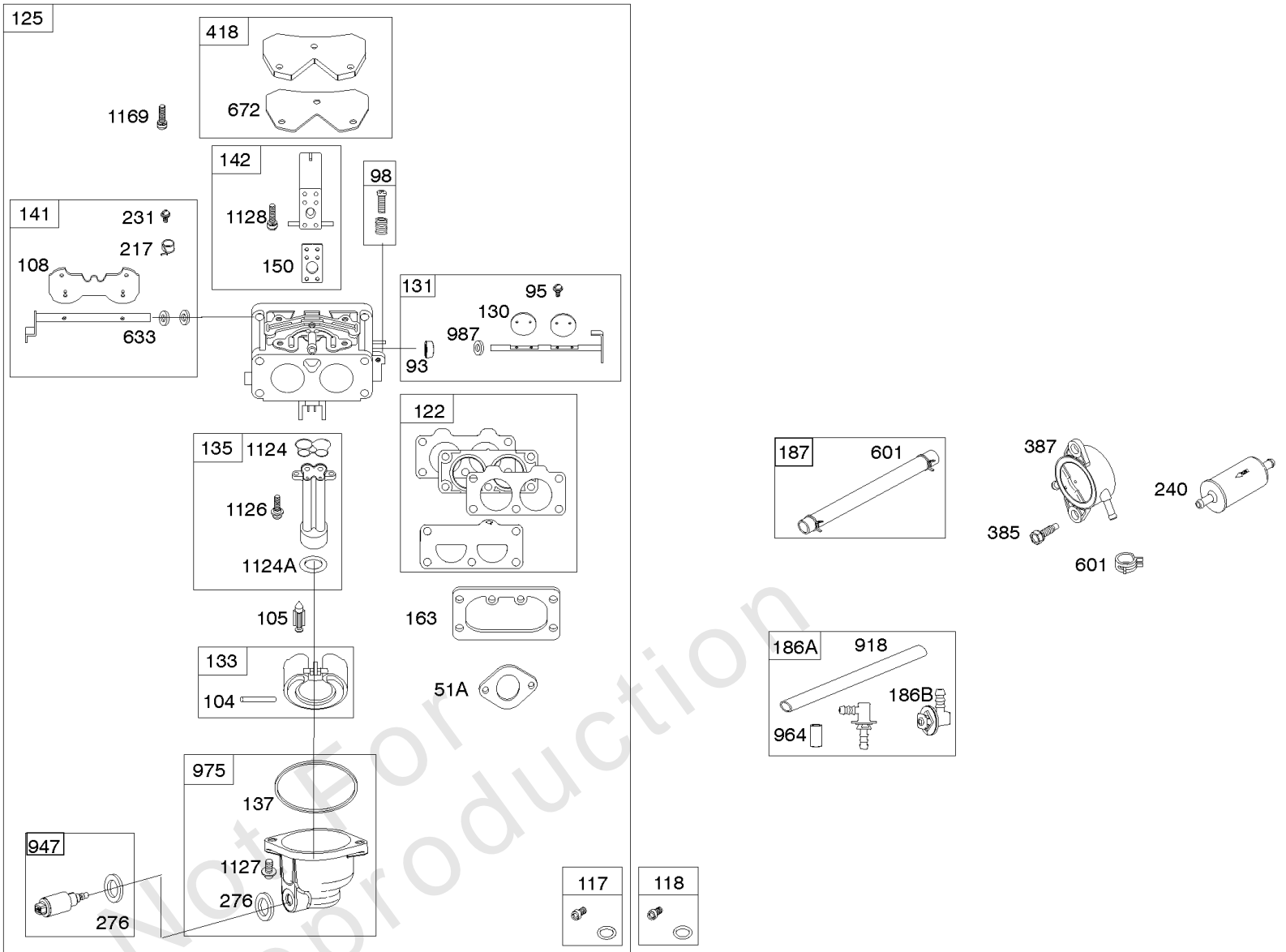
## Blower Housing, Air Cleaner

| REF NO | PART NO | QTY | DESCRIPTION   |
|--------|---------|-----|---|
| 163    | 691001  |     | GASKET, Air Cleaner   |
| 186A   | 799158  |     | CONNECTOR, Hose<br>-(EVAP)                                    |
| 186B   | 845141  |     | CONNECTOR, Hose<br>-(EVAP)                                    |
| 304    | 799957  |     | HOUSING, Blower   |
| 305    | 691005  |     | SCREW<br>-(Blower Housing)                                    |
| 305A   | 557049  |     | SCREW<br>-(Blower Housing) Blower Housing To Air Cleaner Base |
| 411    | 698304  |     | SCREW<br>-(Air Cleaner Base to Air Cleaner Bracket)           |
| 431    | 799097  |     | ELBOW, Intake   |
| 445    | 798897  |     | FILTER, A/C Cartridge   |
| 467    | 790697  |     | KNOB, Air Cleaner Cover                                       |
| 496    | 799095  |     | LEVER, Air Cleaner Filter                                     |
| 875    | 799094  |     | BASE, Air Cleaner   |
| 918    | 799160  |     | HOSE, Vacuum  |
| 921    | 592782  |     | COVER, Blower Housing   |
| 929A   | 794904  |     | SCREW<br>-(Choke Control Bracket)                             |
| 964    | 799159  |     | CAP, Connector  |
| 968    | 799102  |     | COVER, Air Cleaner  |
| 969    | 799093  |     | SCREW<br>-(Blower Housing Cover)                              |
| 1406   | 799096  |     | VALVE, Debris   |



## Carburetor, Fuel Supply

| REF NO | PART NO | QTY | DESCRIPTION   |
|--------|---------|-----|---|
| 51A    | 690949  |     | GASKET, Intake  |
| 93     | 845864  |     | BUSHING, Throttle Shaft                                     |
| 95     | 690718  |     | SCREW<br>-(Throttle Valve)                                  |
| 98     | 699721  |     | KIT, Idle Speed   |
| 104    | 694918  |     | PIN, Float Hinge  |
| 105    | 808798  |     | VALVE, Float Needle   |
| 108    | 699723  |     | VALVE, Choke  |
| 117    | 842082  |     | JET, Main<br>-(Standard)                                    |
| 118    | 842081  |     | JET, Main<br>-(High Altitude)                               |
| 122    | 798759  |     | SPACER, Carburetor  |
| 125    | 799511  |     | CARBURETOR  |
| 130    | 796875  |     | VALVE, Throttle   |
| 131    | 796872  |     | KIT, Throttle Shaft   |
| 133    | 699724  |     | FLOAT, Carburetor   |
| 135    | 699729  |     | TUBE, Fuel Transfer   |
| 137    | 690994  |     | GASKET, Float Bowl  |
| 141    | 799112  |     | KIT, Choke Shaft  |
| 142    | 796871  |     | NOZZLE, Carburetor  |
| 150    | 841649  |     | GASKET, Nozzle  |
| 163    | 691001  |     | GASKET, Air Cleaner   |
| 186A   | 799158  |     | CONNECTOR, Hose<br>-(EVAP)                                  |
| 186B   | 845141  |     | CONNECTOR, Hose<br>-(EVAP)                                  |
| 187    | 791766  |     | LINE, Fuel<br>-(Cut To Required Length)                     |
| 217    | 799771  |     | SPRING, Choke Return  |
| 231    | 690718  |     | SCREW<br>-(Choke Valve)                                     |
| 240    | 695666  |     | FILTER, Fuel  |
| 276    | 695410  |     | WASHER, Sealing   |
| 385    | 797409  |     | SCREW<br>-(Fuel Pump) (Fuel Pump Mounted To Blower Housing) |
| 387    | 808656  |     | PUMP, Fuel  |
| 418    | 795912  |     | PLATE, Carburetor Cover                                     |
| 601    | 691038  |     | CLAMP, Hose   |
| 633    | 690722  |     | SEAL, Choke/Throttle Shaft                                  |
| 672    | 690234  |     | GASKET, Carburetor Plate                                    |
| 918    | 799160  |     | HOSE, Vacuum  |
| 947    | 798779  |     | SOLENOID, Fuel  |
| 964    | 799159  |     | CAP, Connector  |
| 975    | 799114  |     | BOWL, Float   |
| 987    | 808183  |     | SEAL, Choke/Throttle Shaft                                  |
| 1124   | 690988  |     | SEAL, O-Ring<br>-(Fuel Transfer Tube)                       |
| 1124A  | 841653  |     | SEAL, O-Ring<br>-(Fuel Transfer Tube)                       |
| 1126   | 690991  |     | SCREW<br>-(Fuel Transfer Tube)                              |
| 1127   | 695407  |     | SCREW<br>-(Float Bowl) (Float Bowl to Carburetor Body)      |
| 1128   | 690990  |     | SCREW<br>-(Carburetor Nozzle)                               |



## Carburetor, Fuel Supply

---

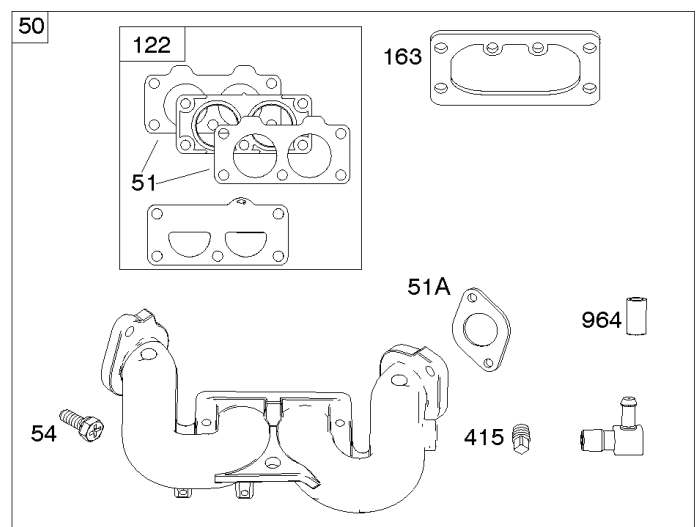
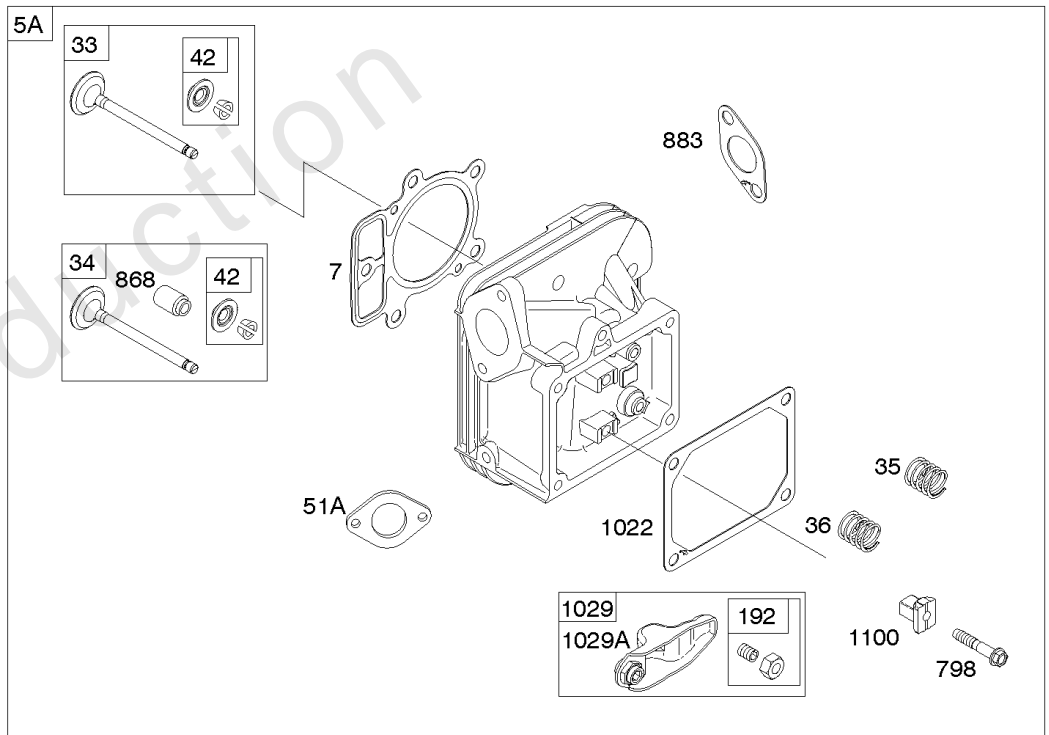
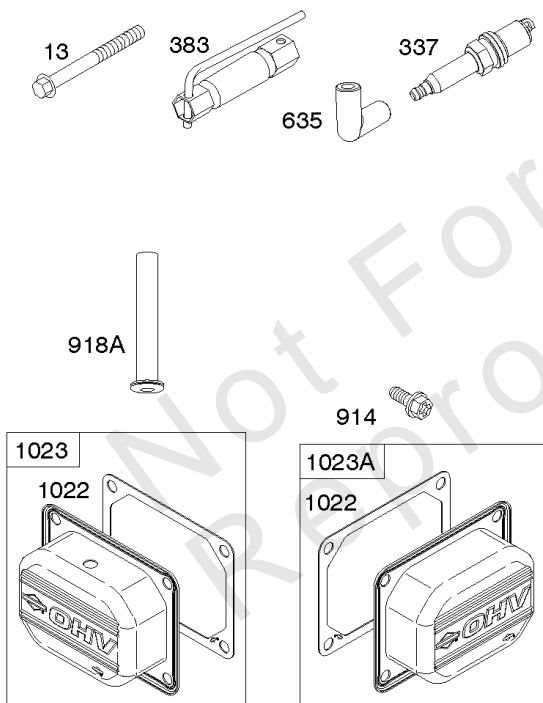
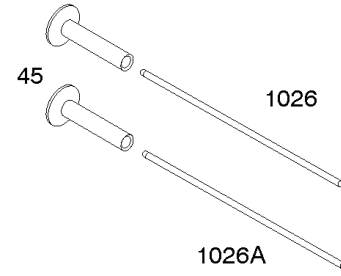
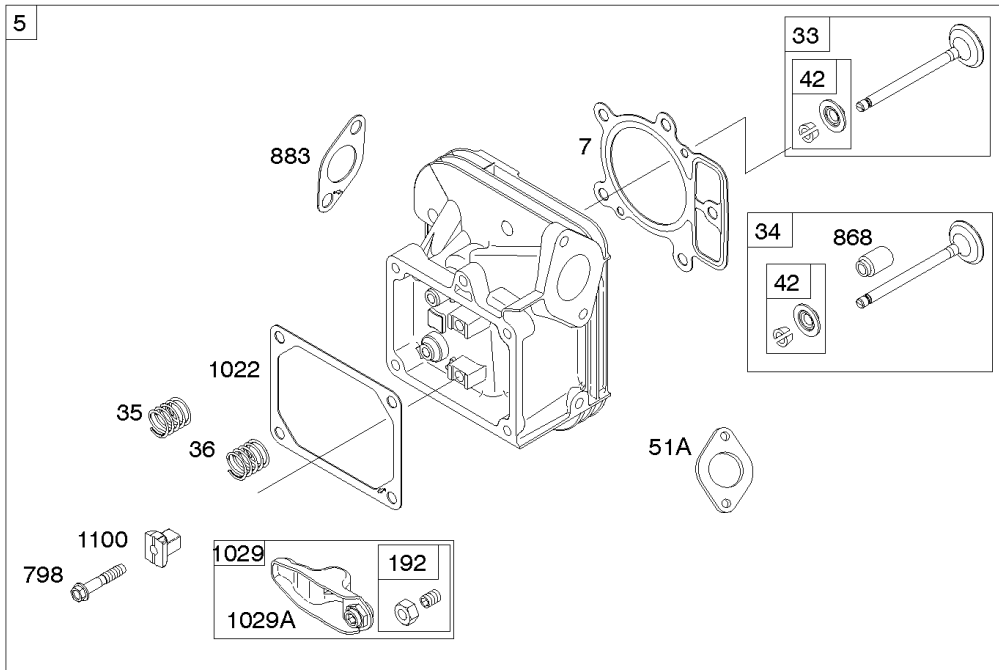
| REF NO | PART NO | QTY | DESCRIPTION                        |
|--------|---------|-----|------------------------------------|
| 1169   | 690990  |     | SCREW<br>-(Carburetor Cover Plate) |

---

Not For Reproduction

# Cylinder Head, Rocker Arm Cover, Intake Manifold

Mfg. No: 49T777-0002-G1

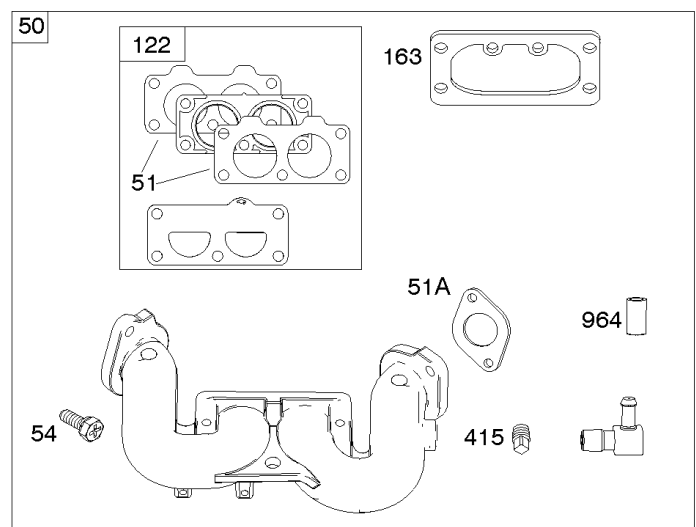
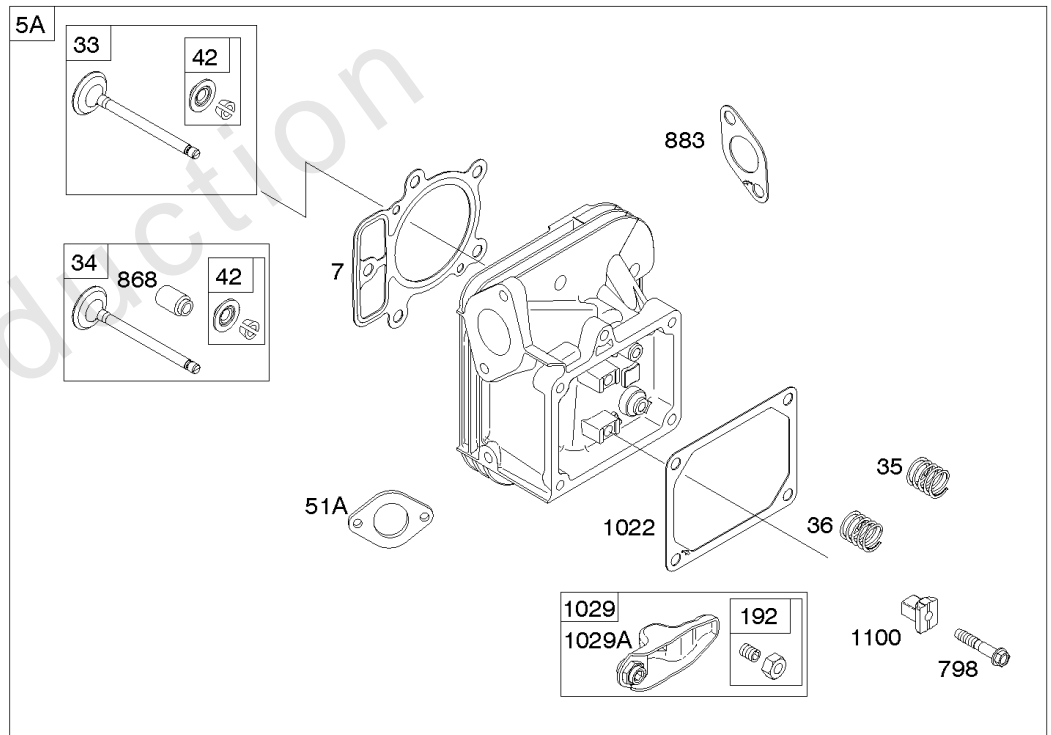
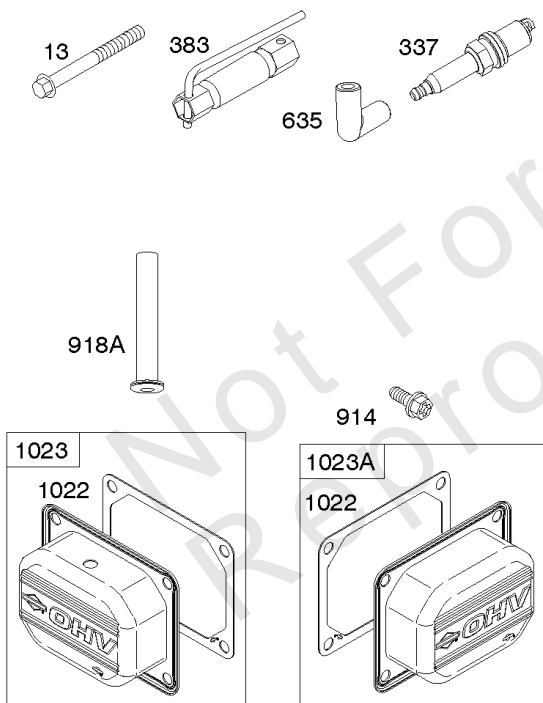
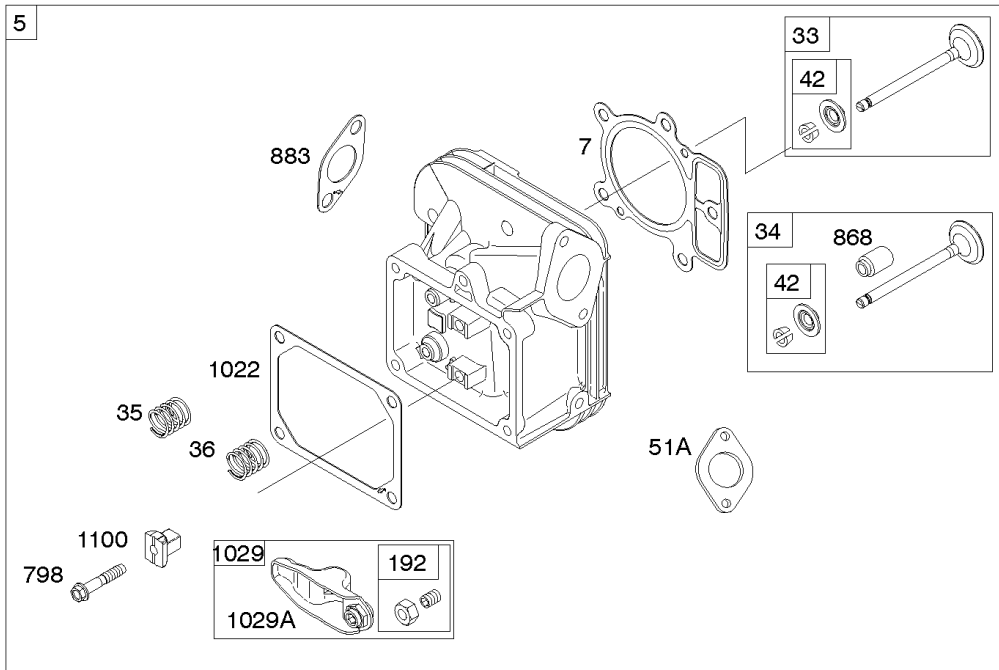


## Cylinder Head, Rocker Arm Cover, Intake Manifold

| REF NO | PART NO | QTY | DESCRIPTION                                     |
|--------|---------|-----|---|
| 5      | 799088  |     | HEAD, Cylinder<br>-(Cylinder #1)                |
| 5A     | 799089  |     | HEAD, Cylinder<br>-(Cylinder #2)                |
| 7      | 796851  |     | GASKET, Cylinder Head                           |
| 13     | 793988  |     | SCREW<br>-(Cylinder Head)                       |
| 33     | 793557  |     | VALVE, Exhaust                                  |
| 34     | 793556  |     | VALVE, Intake                                   |
| 35     | 694865  |     | SPRING, Valve<br>-(Intake)                      |
| 36     | 694865  |     | SPRING, Valve<br>-(Exhaust)                     |
| 42     | 499586  |     | KEEPER, Valve                                   |
| 45     | 690977  |     | TAPPET, Valve                                   |
| 50     | 797503  |     | MANIFOLD, Intake                                |
| 51     | 796876  |     | GASKET, Intake                                  |
| 51A    | 690949  |     | GASKET, Intake                                  |
| 53     | 690951  |     | STUD<br>-(Carburetor)                           |
| 54     | 699816  |     | SCREW<br>-(Intake Manifold)                     |
| 122    | 798759  |     | SPACER, Carburetor                              |
| 163    | 691001  |     | GASKET, Air Cleaner                             |
| 192    | 690083  |     | ADJUSTER, Rocker Arm                            |
| 213    | 799510  |     | BRACKET, Choke Control                          |
| 337    | 792015  |     | PLUG, Spark                                     |
| 383    | 19576S  |     | WRENCH, Spark Plug                              |
| 415    | 794903  |     | PLUG<br>-(Sump)                                 |
| 613    | 690341  |     | SCREW<br>-(Muffler)                             |
| 635    | 692076  |     | BOOT, Spark Plug                                |
| 654    | 690958  |     | NUT<br>-(Carburetor)                            |
| 798    | 697890  |     | SCREW<br>-(Rocker Arm)                          |
| 868    | 690968  |     | SEAL, Valve                                     |
| 883    | 690970  |     | GASKET, Exhaust                                 |
| 914    | 691127  |     | SCREW<br>-(Rocker Cover)                        |
| 918A   | 596163  |     | HOSE, Vacuum<br>-Used Before Code Date 19091800 |
| 918A   | 593641  |     | HOSE, Vacuum<br>-Used After Code Date 19091700  |
| 929    | 691003  |     | SCREW<br>-(Choke Control Bracket)               |
| 929A   | 794904  |     | SCREW<br>-(Choke Control Bracket)               |
| 964    | 799159  |     | CAP, Connector                                  |
| 1022   | 690971  |     | GASKET, Rocker Cover                            |
| 1023   | 793146  |     | COVER, Rocker<br>-(Cylinder #1)                 |
| 1023A  | 499600  |     | COVER, Rocker<br>-(Cylinder #2)                 |
| 1026   | 690981  |     | ROD, Push<br>-(Steel)                           |

# Cylinder Head, Rocker Arm Cover, Intake Manifold

Mfg. No: 49T777-0002-G1

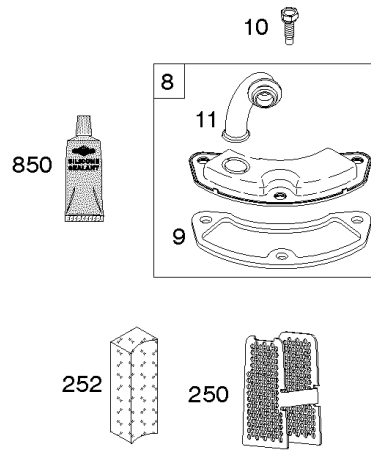
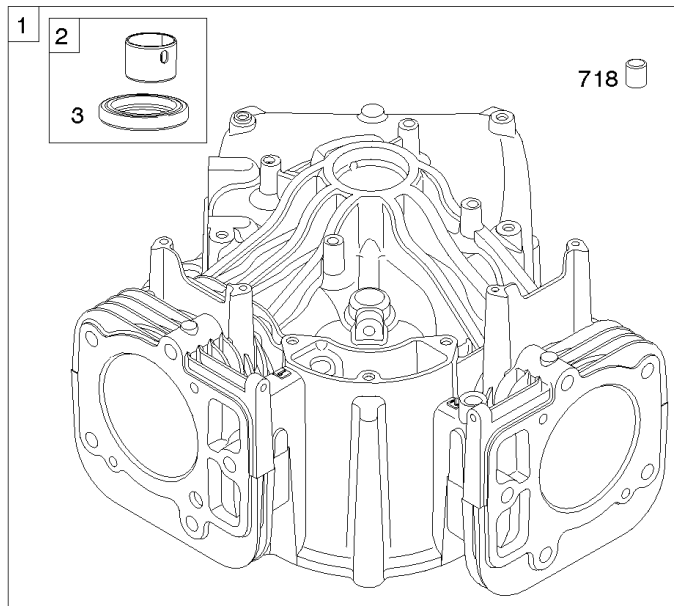




## *Cylinder Head, Rocker Arm Cover, Intake Manifold*

| REF NO | PART NO | QTY | DESCRIPTION              |
|--------|---------|-----|--------------------------|
| 1026A  | 690982  |     | ROD, Push<br>-(Aluminum) |
| 1029   | 690972  |     | ARM, Rocker              |
| 1029A  | 807323  |     | ARM, Rocker              |
| 1100   | 791959  |     | PIVOT, Rocker Arm        |

Not For Reproduction



1319 WARNING LABEL

**WARNING**  
 Read and follow operating instructions before starting engine.  
 Operate in a well-ventilated area. Do not breathe the fumes.  
 Do not drink alcohol before or while operating.  
 Do not operate the engine with a full tank of fuel.  
 Do not operate the engine with a full tank of fuel.  
 Do not operate the engine with a full tank of fuel.

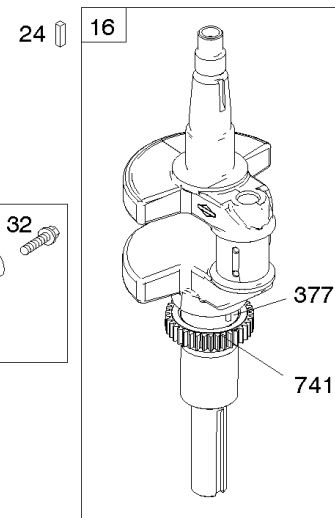
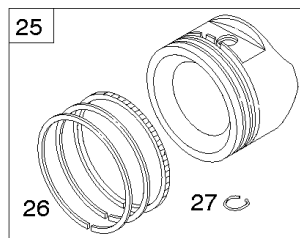
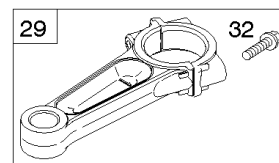
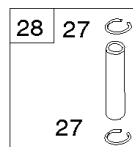
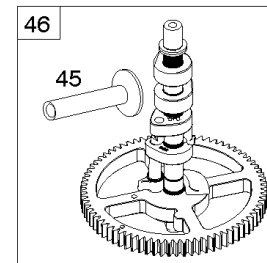
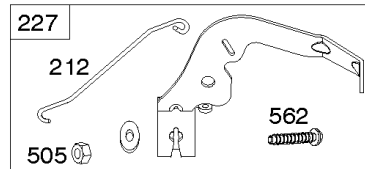
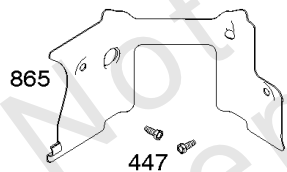
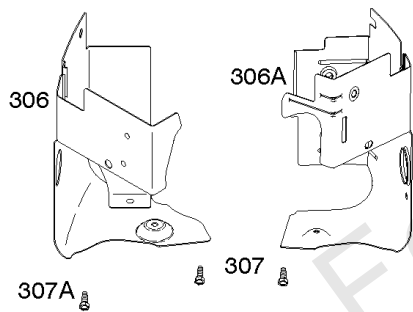
**REQUIRED** when replacing parts with warning labels affixed.

1319A WARNING LABEL

**REQUIRED** when replacing parts with warning labels affixed.

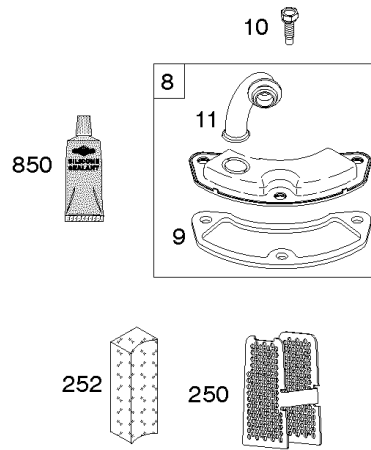
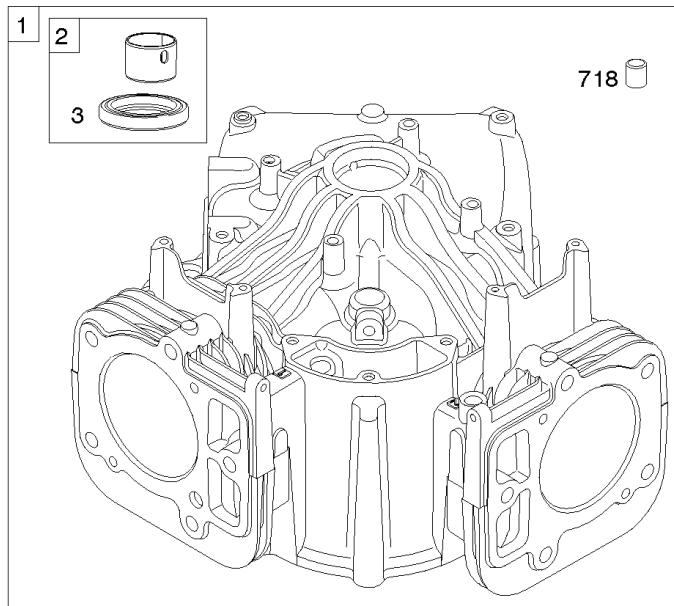
1058 OPERATOR'S MANUAL

1036 EMISSIONS LABEL



## Cylinder, Crankshaft, Camshaft, Air Guides

| REF NO | PART NO | QTY | DESCRIPTION  |
|--------|---------|-----|--|
| 1      | 591696  |     | CYLINDER ASSEMBLY  |
| 2      | 797673  |     | KIT, Bushing/Seal<br>-(Magneto Side)                                       |
| 3      | 391086S |     | SEAL, Oil<br>-(Magneto Side)   |
| 8      | 792185  |     | BREATHER ASSEMBLY  |
| 9      | 690937  |     | GASKET, Breather   |
| 10     | 691108  |     | SCREW<br>-(Breather Assembly)  |
| 11     | 792184  |     | TUBE-BREATHER  |
| 16     | 796855  |     | CRANKSHAFT   |
| 24     | 796335  |     | KEY, Flywheel  |
| 25     | 796909  |     | PISTON ASSEMBLY<br>-(Standard)   |
| 25     | 796910  |     | PISTON ASSEMBLY<br>-(.020 Oversize)  |
| 26     | 796911  |     | SET, Ring<br>-(Standard)   |
| 26     | 796912  |     | SET, Ring<br>-(.020 Oversize)  |
| 27     | 690975  |     | LOCK, Piston Pin   |
| 28     | 696581  |     | PIN, Piston<br>-(Standard)   |
| 29     | 796209  |     | ROD, Connecting  |
| 32     | 690976  |     | SCREW<br>-(Connecting Rod)   |
| 45     | 690977  |     | TAPPET, Valve  |
| 46     | 797242  |     | CAMSHAFT   |
| 212    | 695238  |     | LINK, Throttle   |
| 227    | 798856  |     | LEVER, Governor Control  |
| 250    | 690957  |     | RETAINER, Breather   |
| 252    | 794389  |     | COLLECTOR-OIL  |
| 306    | 796852  |     | SHIELD-CYLINDER<br>-(Cylinder #1)  |
| 306A   | 591666  |     | SHIELD-CYLINDER<br>-(Cylinder #2)  |
| 307    | 691003  |     | SCREW<br>-(Cylinder Shield)  |
| 307A   | 691108  |     | SCREW<br>-(Cylinder Shield)  |
| 377    | 690979  |     | KEY, Woodruff  |
| 405    | 697820  |     | SCREW<br>-(Back Plate)   |
| 447    | 691003  |     | SCREW<br>-(Air Guide Cover)  |
| 505    | 691029  |     | NUT<br>-(Governor Control Lever)   |
| 562    | 690311  |     | BOLT<br>-(Governor Control Lever)  |
| 573    | 790444  |     | PLATE, Back  |
| 718    | 690959  |     | PIN, Locating  |
| 741    | 690980  |     | GEAR, Timing   |
| 850    | 100106  |     | SEALANT, Liquid  |
| 865    | 591667  |     | COVER, Air Guide<br>-(Valley)  |
| 1036   | -----   |     | Label-Emissions<br>-(Available From A Briggs & Stratton Authorized Dealer) |



1319 WARNING LABEL

**WARNING**  
Read and follow Operating Instructions before starting engine.  
Exhaust is toxic. Operate engine in well-ventilated area.  
Exhaust can catch fire. Do not touch hot parts.

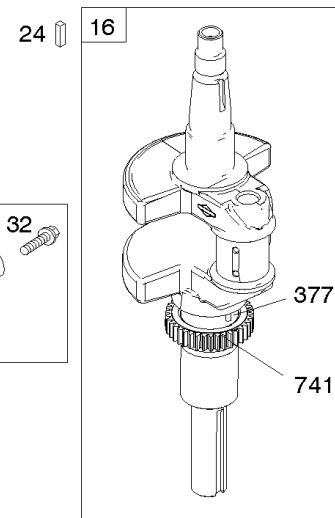
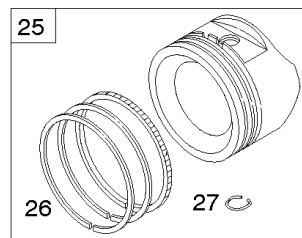
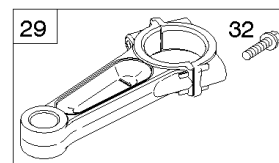
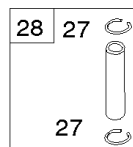
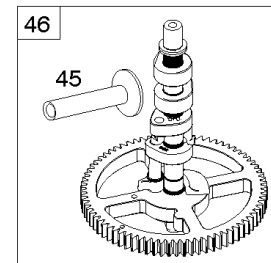
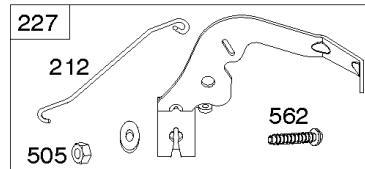
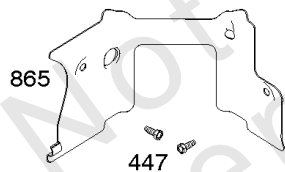
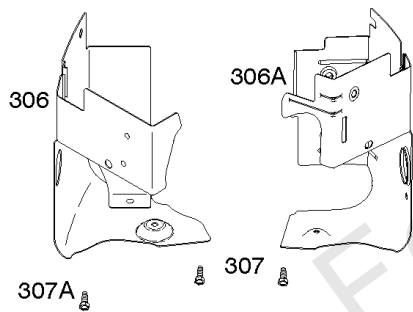
**REQUIRED** when replacing parts with warning labels affixed.

1319A WARNING LABEL

**REQUIRED** when replacing parts with warning labels affixed.

1058 OPERATOR'S MANUAL

1036 EMISSIONS LABEL



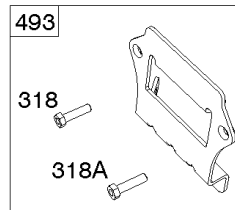
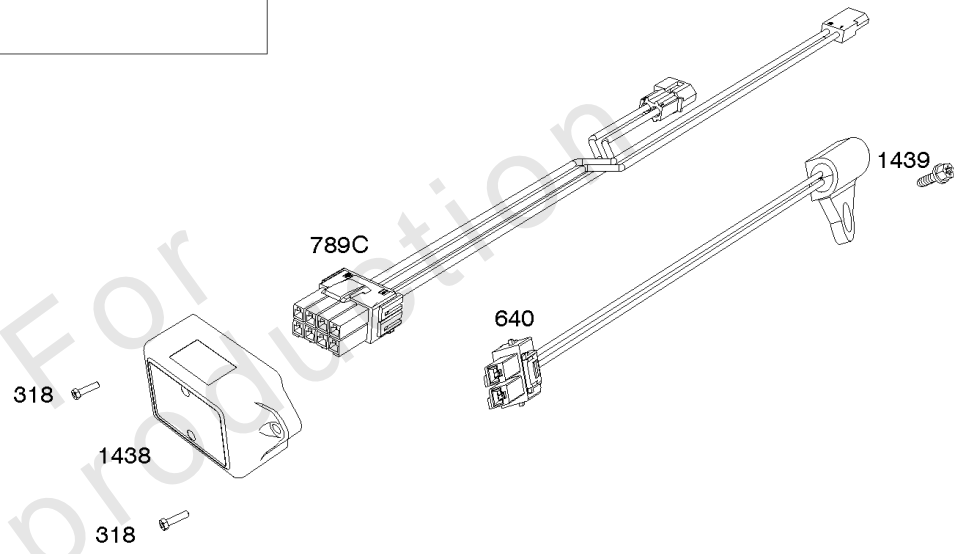
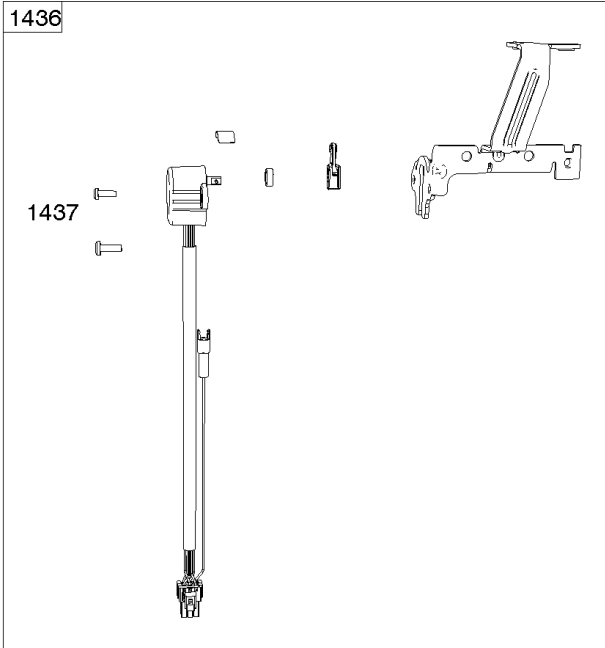
## ***Cylinder, Crankshaft, Camshaft, Air Guides***

---

| <b>REF NO</b> | <b>PART NO</b> | <b>QTY</b> | <b>DESCRIPTION</b> |
|---------------|----------------|------------|--------------------|
| 1058          | 279348TRI      |            | MANUAL, Operator's |
| 1319          | 794467         |            | LABEL, Warning     |
| 1319A         | 797669         |            | LABEL, Warning     |

---

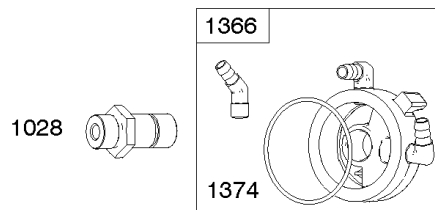
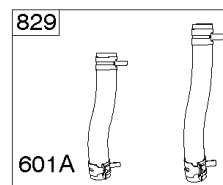
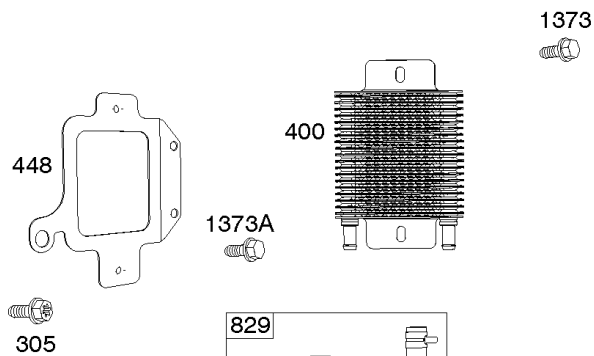
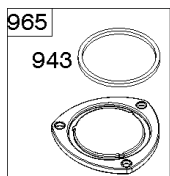
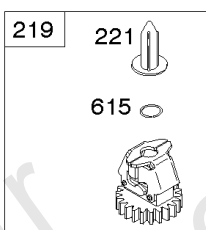
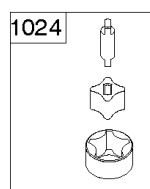
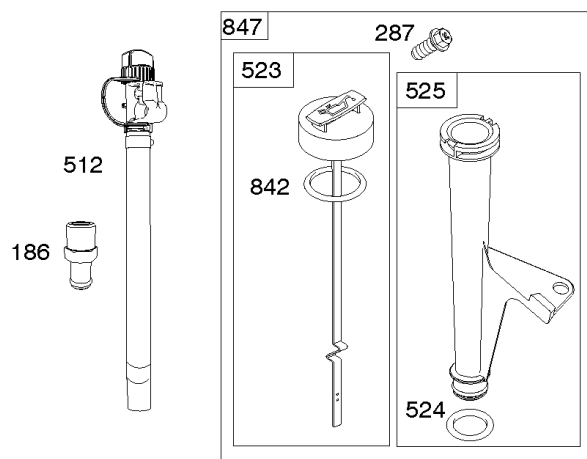
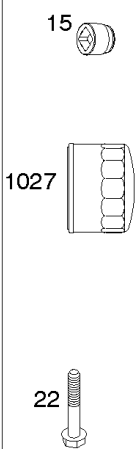
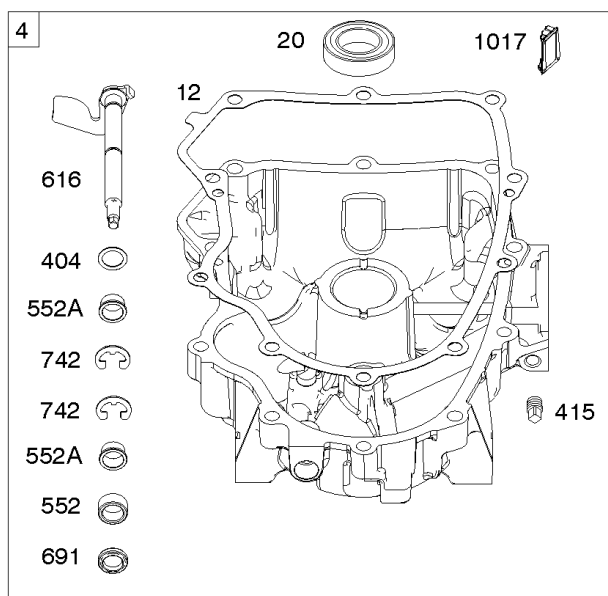
Not For Reproduction



## ECU Module

| REF NO | PART NO | QTY | DESCRIPTION  |
|--------|---------|-----|--|
| 318    | 691127  |     | SCREW<br>-(Mounting Bracket)   |
| 318A   | 792629  |     | SCREW<br>-(Mounting Bracket) (Electronic Choke Module To Mounting Bracket) |
| 493    | 797176  |     | BRACKET, Mounting<br>-(Electronic Choke)                                   |
| 640    | 796913  |     | WIRE ASSEMBLY<br>-(Thermistor)   |
| 1436   | 799108  |     | MOTOR, Stepper/Bracket   |
| 1437   | 699891  |     | SCREW<br>-(Stepper/Bracket Motor)  |
| 1438   | 796352S |     | MODULE, Electronic Choke   |
| 1439   | 794904  |     | SCREW<br>-(Thermistor Wire Assembly)                                       |

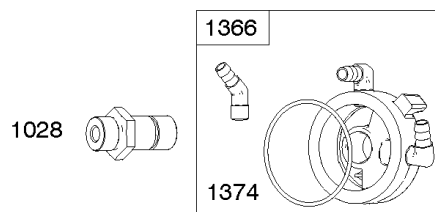
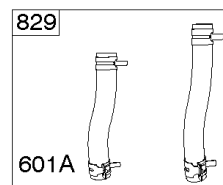
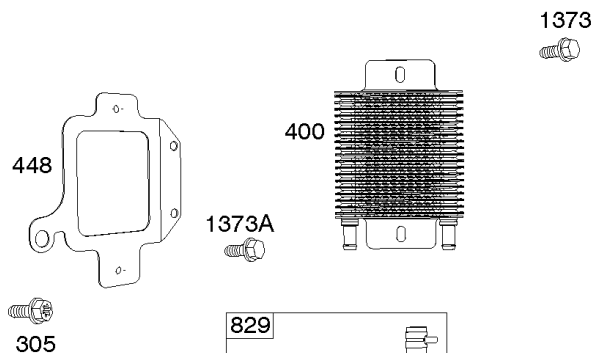
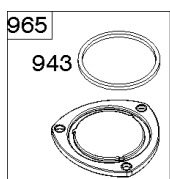
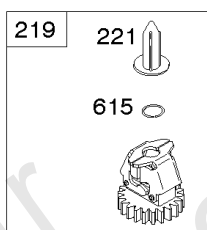
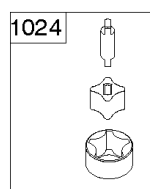
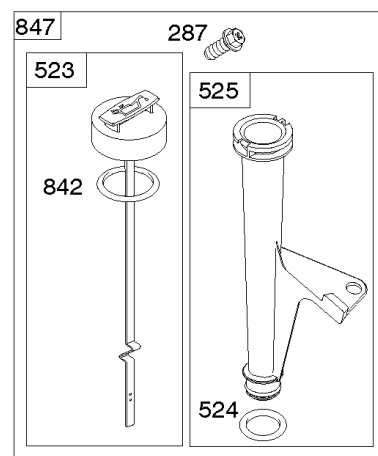
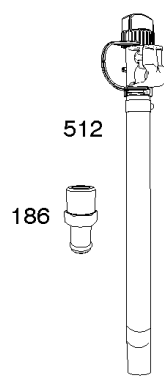
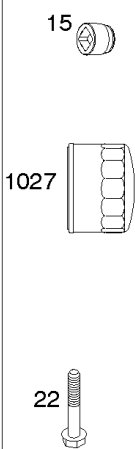
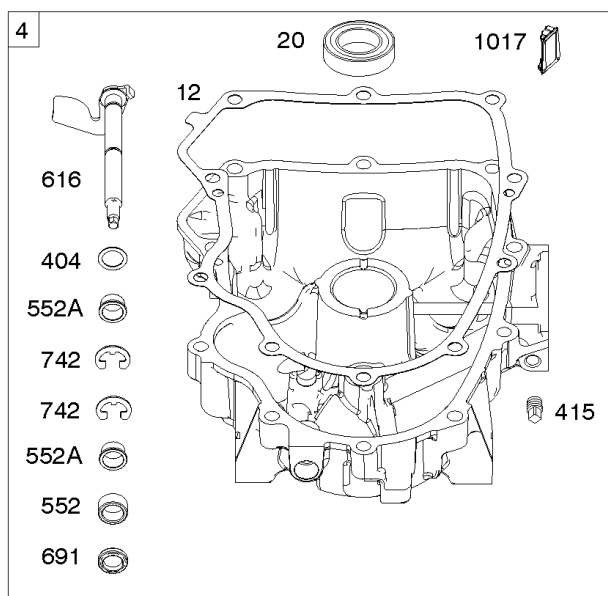
Not For Reproduction





## Engine Sump, Lubrication, Oil Cooler

| REF NO | PART NO | QTY | DESCRIPTION                            |
|--------|---------|-----|--|
| 4      | 797502  |     | SUMP, Engine                           |
| 12     | 591911  |     | GASKET, Crankcase                      |
| 15     | 690946  |     | PLUG, Oil Drain                        |
| 20     | 795387  |     | SEAL, Oil<br>-(PTO Side)               |
| 22     | 694966  |     | SCREW<br>-(Crankcase Cover/Sump)       |
| 186    | 796532  |     | CONNECTOR, Hose<br>-(Oil Drain)        |
| 219    | 793338  |     | GEAR, Governor                         |
| 220    | 799772  |     | WASHER<br>-(Governor Gear)             |
| 221    | 841026  |     | CUP, Governor                          |
| 239    | 697049  |     | SWITCH, Oil Pressure                   |
| 287    | 697820  |     | SCREW<br>-(Dipstick Tube)              |
| 305    | 691005  |     | SCREW<br>-(Blower Housing)             |
| 400    | 796862  |     | COOLER, Oil                            |
| 404    | 690442  |     | WASHER<br>-(Governor Crank)            |
| 415    | 794903  |     | PLUG<br>-(Sump)                        |
| 448    | 799103  |     | BRACKET, Oil Cooler                    |
| 512    | 796530  |     | HOSE, Oil Drain                        |
| 523    | 691036  |     | DIPSTICK                               |
| 524    | 691032  |     | SEAL, O-Ring                           |
| 525    | 691037  |     | TUBE, Dipstick                         |
| 552    | 796638  |     | BUSHING, Governor Crank                |
| 552A   | 690553  |     | BUSHING, Governor Crank                |
| 601A   | 841597  |     | CLAMP, Hose                            |
| 615    | 698290  |     | RETAINER, Governor Shaft               |
| 616    | 691045  |     | CRANK, Governor                        |
| 691    | 790574  |     | SEAL, Governor Shaft                   |
| 742    | 690328  |     | RETAINER, E Ring                       |
| 750    | 796208  |     | SCREW<br>-(Oil Pump Cover)             |
| 829    | 799104  |     | HOSE, Oil Cooler<br>-(Oil Cooler Hose) |
| 842    | 691031  |     | SEAL, O-Ring<br>-(Dipstick Tube)       |
| 847    | 499602  |     | DIPSTICK/TUBE ASSEMBLY                 |
| 943    | 796222  |     | SEAL, O-Ring<br>-(Oil Pump Cover)      |
| 965    | 796221  |     | COVER, Oil Pump                        |
| 1017   | 796214  |     | SCREEN, Oil Pump                       |
| 1024   | 794644  |     | PUMP-OIL                               |
| 1027   | 795890  |     | FILTER, Oil<br>-(Yellow)               |
| 1028   | 796864  |     | ADAPTER, Oil Filter                    |
| 1366   | 799131  |     | DIVERTER, Oil Cooler                   |
| 1373   | 695629  |     | SCREW<br>-(Oil Cooler Bracket)         |
| 1373A  | 799105  |     | SCREW<br>-(Oil Cooler Bracket)         |



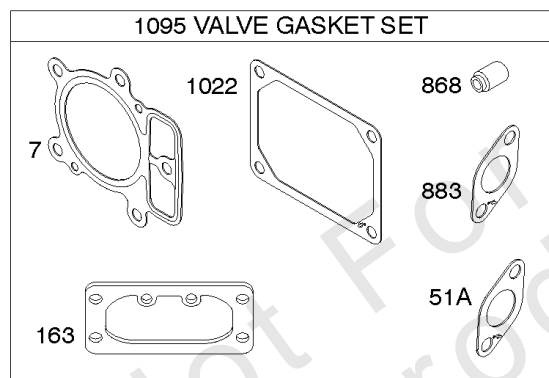
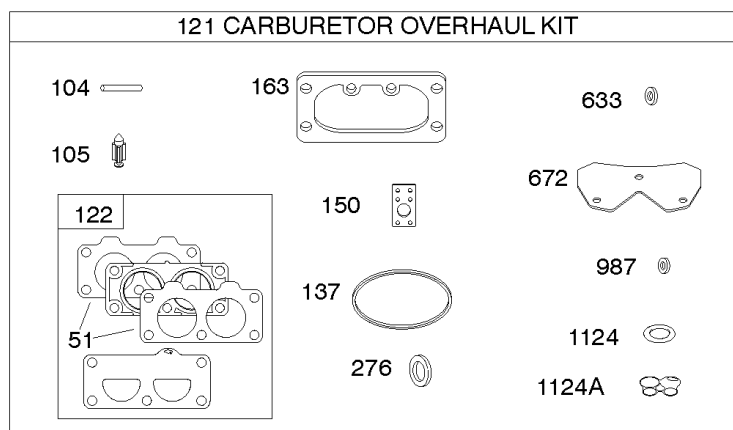
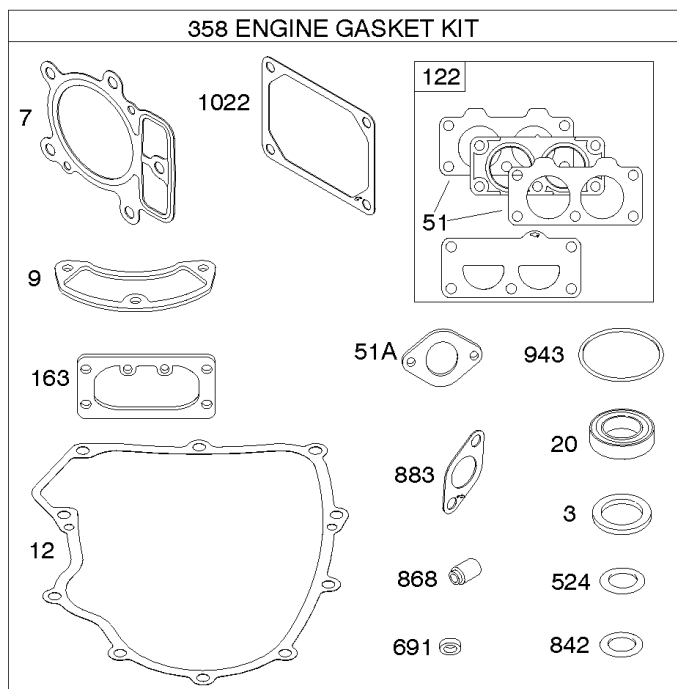
## Engine Sump, Lubrication, Oil Cooler

---

| REF NO | PART NO | QTY | DESCRIPTION                            |
|--------|---------|-----|--|
| 1374   | 796863  |     | SEAL, O-Ring<br>-(Oil Cooler Diverter) |

---

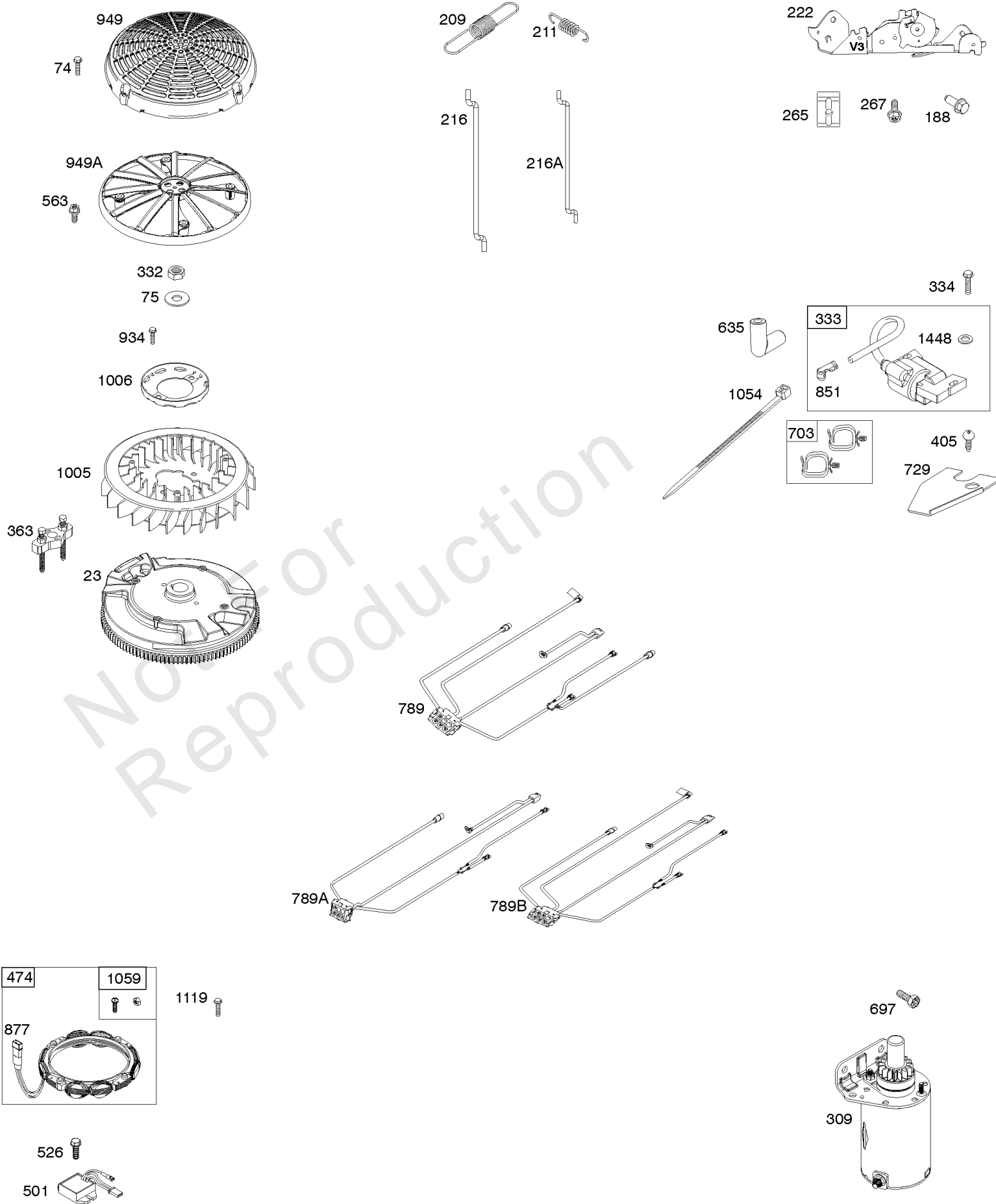
Not For Reproduction



Not For Reproduction

## Engine/Valve Gasket Set, Carburetor Overhaul Kit

| REF NO | PART NO | QTY | DESCRIPTION                           |
|--------|---------|-----|---------------------------------------|
| 3      | 391086S |     | SEAL, Oil<br>-(Magneto Side)          |
| 7      | 796851  |     | GASKET, Cylinder Head                 |
| 9      | 690937  |     | GASKET, Breather                      |
| 12     | 591911  |     | GASKET, Crankcase                     |
| 20     | 795387  |     | SEAL, Oil<br>-(PTO Side)              |
| 51     | 796876  |     | GASKET, Intake                        |
| 51A    | 690949  |     | GASKET, Intake                        |
| 104    | 694918  |     | PIN, Float Hinge                      |
| 105    | 808798  |     | VALVE, Float Needle                   |
| 121    | 799132  |     | KIT, Carburetor Overhaul              |
| 122    | 798759  |     | SPACER, Carburetor                    |
| 137    | 690994  |     | GASKET, Float Bowl                    |
| 150    | 841649  |     | GASKET, Nozzle                        |
| 163    | 691001  |     | GASKET, Air Cleaner                   |
| 276    | 695410  |     | WASHER, Sealing                       |
| 358    | 799117  |     | GASKET SET, Engine                    |
| 524    | 691032  |     | SEAL, O-Ring                          |
| 633    | 690722  |     | SEAL, Choke/Throttle Shaft            |
| 672    | 690234  |     | GASKET, Carburetor Plate              |
| 691    | 790574  |     | SEAL, Governor Shaft                  |
| 842    | 691031  |     | SEAL, O-Ring<br>-(Dipstick Tube)      |
| 868    | 690968  |     | SEAL, Valve                           |
| 883    | 690970  |     | GASKET, Exhaust                       |
| 943    | 796222  |     | SEAL, O-Ring<br>-(Oil Pump Cover)     |
| 987    | 808183  |     | SEAL, Choke/Throttle Shaft            |
| 1022   | 690971  |     | GASKET, Rocker Cover                  |
| 1095   | 694013  |     | GASKET SET, Valve                     |
| 1124   | 690988  |     | SEAL, O-Ring<br>-(Fuel Transfer Tube) |
| 1124A  | 841653  |     | SEAL, O-Ring<br>-(Fuel Transfer Tube) |



## ***Flywheel, Controls, Wire Harness, Alternator, Starter***

| REF NO | PART NO | QTY | DESCRIPTION                           |
|--------|---------|-----|---------------------------------------|
| 23     | 799090  |     | FLYWHEEL                              |
| 74     | 698425  |     | SCREW<br>-(Rotating Screen)           |
| 75     | 691056  |     | WASHER<br>-(Flywheel)                 |
| 188    | 691108  |     | SCREW<br>-(Control Bracket)           |
| 209    | 799258  |     | SPRING, Governor<br>-(Yellow)         |
| 211    | 691019  |     | SPRING, Governed Idle<br>-(No Color)  |
| 216    | 691022  |     | LINK, Choke<br>-(Manual Choke)        |
| 222    | 798916  |     | BRACKET, Control                      |
| 265    | 691024  |     | CLAMP, Casing                         |
| 267    | 792629  |     | SCREW<br>-(Casing Clamp)              |
| 309    | 590476  |     | MOTOR, Starter                        |
| 332    | 691059  |     | NUT<br>-(Flywheel)                    |
| 333    | 799651  |     | ARMATURE, Magneto                     |
| 334    | 691061  |     | SCREW<br>-(Magneto Armature)          |
| 363    | 19203   |     | PULLER, Flywheel                      |
| 405    | 697820  |     | SCREW<br>-(Back Plate)                |
| 474    | 592830  |     | ALTERNATOR<br>-(10-16 Amp Regulated)  |
| 501    | 845907  |     | REGULATOR                             |
| 526    | 691108  |     | SCREW<br>-(Regulator)                 |
| 563    | 799360  |     | SCREW<br>-(Debris Screen Guard)       |
| 635    | 692076  |     | BOOT, Spark Plug                      |
| 697    | 591909  |     | SCREW<br>-(Starter Motor) (Drive Cap) |
| 703    | 691010  |     | CLIP                                  |
| 729    | 797454  |     | CLIP, Wire                            |
| 789B   | 591393  |     | HARNESS, Wiring                       |
| 851    | 493880S |     | TERMINAL-SPARK PLUG                   |
| 877    | 399916  |     | WIRE/CONN-ALTERNATOR                  |
| 934    | 592604  |     | SCREW<br>-(Fan Retainer)              |
| 949    | 799357  |     | GUARD, Debris Screen                  |
| 949A   | 593206  |     | GUARD, Debris Screen                  |
| 1005   | 791236  |     | FAN, Flywheel                         |
| 1006   | 798750  |     | RETAINER, Fan                         |
| 1054   | 280275  |     | TIE, Cable                            |
| 1059   | 698516  |     | KIT, Screw/Washer                     |
| 1119   | 691183  |     | SCREW<br>-(Alternator)                |
| 1448   | 690260  |     | WASHER<br>-(Magneto Armature)         |

## Replacement Engine - US & Canada

| REF NO | PART NO      | QTY | DESCRIPTION  |
|--------|--------------|-----|--|
|        | 49T8770004G1 | 1   | Replacement Engine   |
|        | 797510       | 1   | Replacement Short Block  |
|        | -----        |     | Top No-Load Speed: 3650<br>-Trim: ALL  |
|        | -----        |     | Service Note: Transfer the Governor Spring and Governor Idle Spring to the replacement engine. |
|        | -----        |     | Service Note: Transfer Oil Pressure Switch to the Replacement Engine                           |

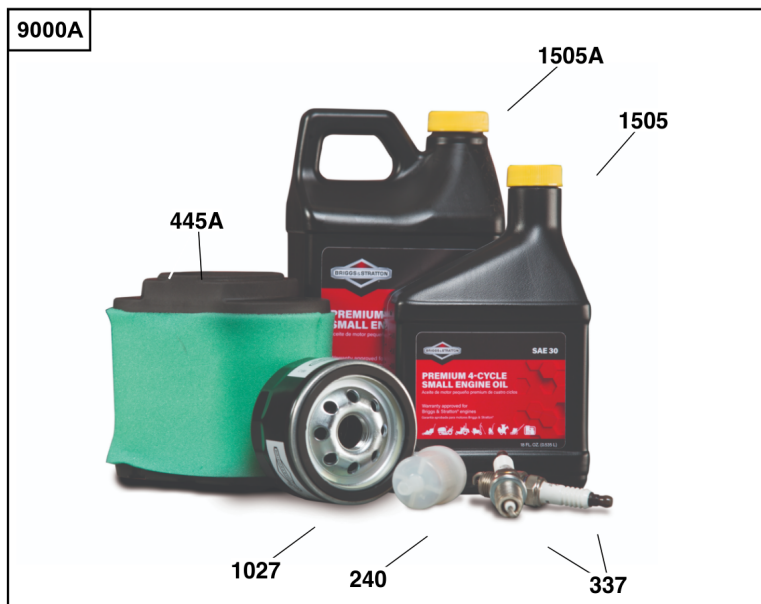
Not For Reproduction





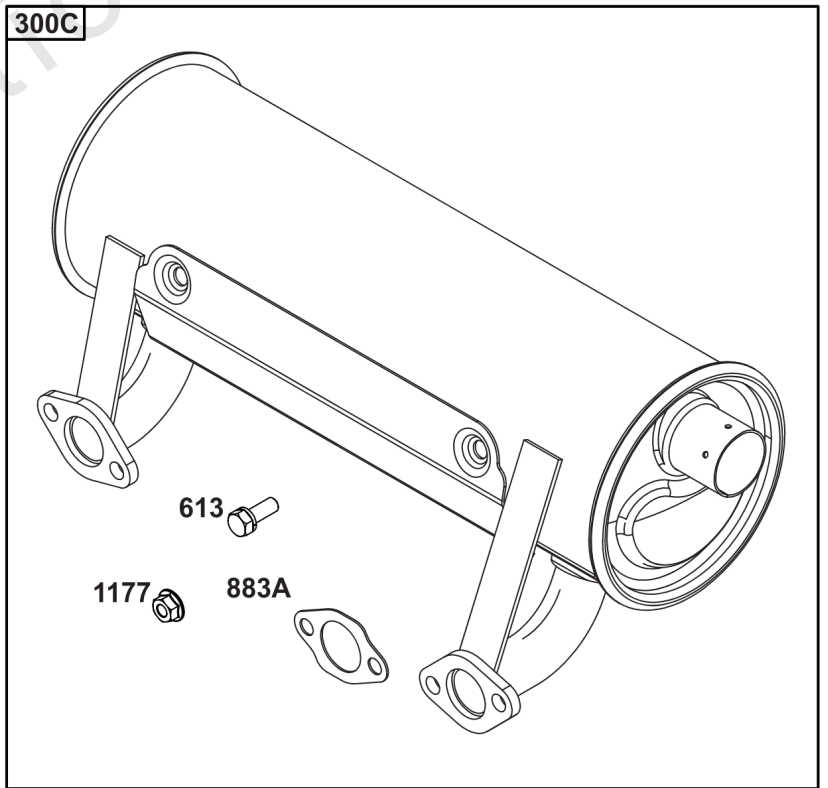
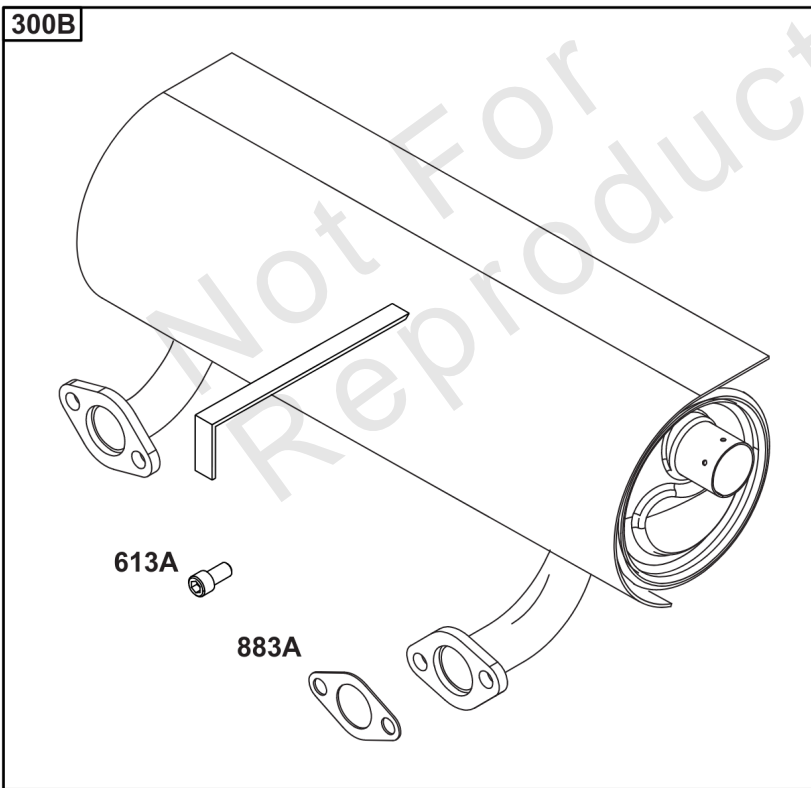
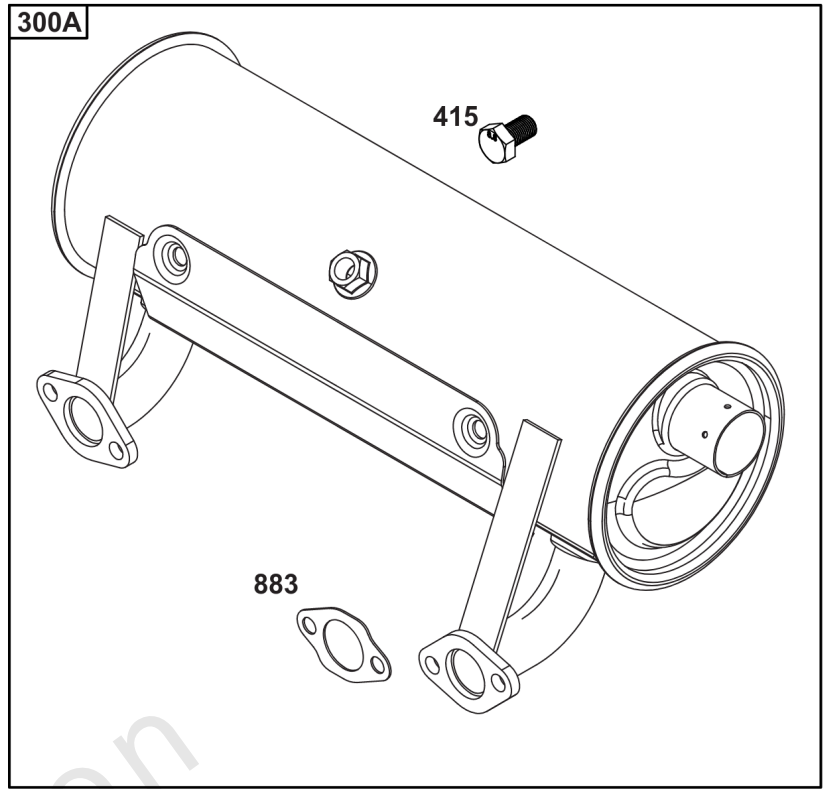
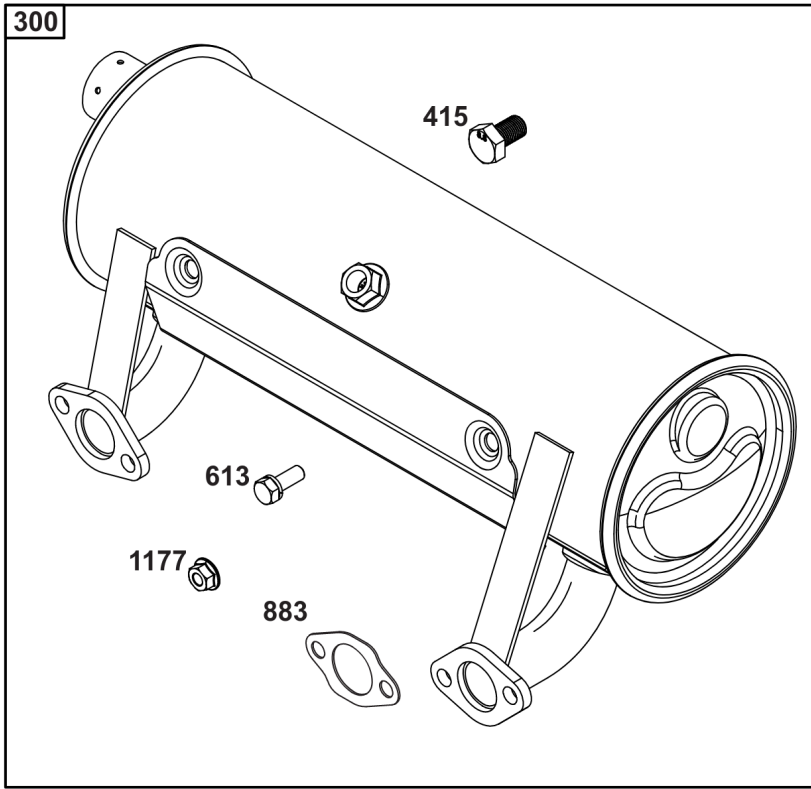
# Model 40, 44 & 49 Engine Accessories Catalog

Not For  
Reproduction



## Maintenance Kits

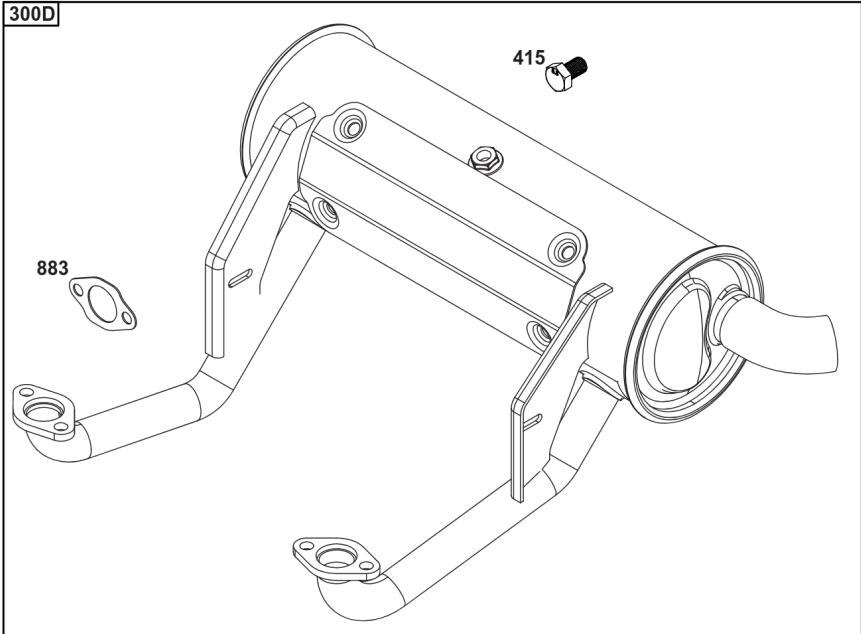
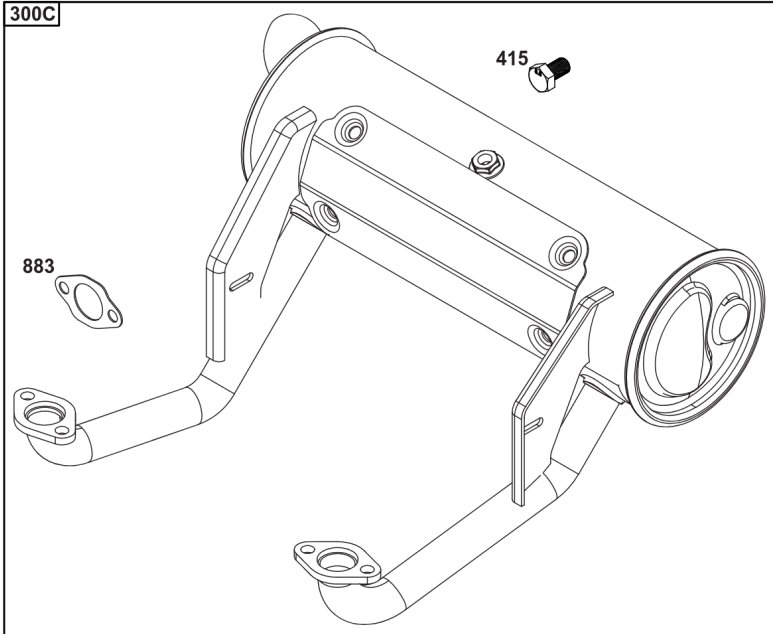
| REF NO | PART NO  | QTY | DESCRIPTION   |
|--------|----------|-----|---|
| 9000   | 84002442 |     | KIT, Maintenance<br>-(Intek / EXi V-Twin Engines) (Do not use with Home Standby Generators.)          |
| 9000A  | 84002317 |     | KIT, Maintenance<br>-(Professional Series™ V-Twin Engines) (Do not use with Home Standby Generators.) |
| 9000B  | 84002316 |     | KIT, Maintenance<br>-(Commercial Series V-Twin Engines) (Do not use with Home Standby Generators.)    |
| 9000C  | 84002318 |     | KIT, Maintenance<br>-(Oil Guard™ Engines) (Do not use with Home Standby Generators.)                  |
| 9000D  | 84002315 |     | KIT, Maintenance<br>-(Non-Oil Guard™ Engines) (Do not use with Home Standby Generators.)              |
| 240    | 84001895 | 1   | FILTER, Fuel<br>-(40 Micron)  |
| 240A   | 845125   | 1   | FILTER, Fuel<br>-(20 Micron)  |
| 337    | 491055S  | 2   | PLUG, Spark   |
| 445    | 594201   | 1   | FILTER, A/C Cartridge   |
| 445A   | 792105   | 1   | FILTER, A/C Cartridge   |
| 445B   | 798897   | 1   | FILTER, A/C Cartridge   |
| 445C   | 841497   | 1   | FILTER, A/C Cartridge   |
| 967    | 797704   | 1   | FILTER, Pre Cleaner   |
| 1027   | 492932S  | 1   | FILTER, Oil<br>-(Standard)  |
| 1027A  | 696854   | 1   | FILTER, Oil<br>-(Premium)   |
| 1027B  | 842921   | 1   | FILTER, Oil<br>-(Vanguard®)   |
| 1027C  | 84007094 | 1   | FILTER, OIL<br>-(Oil Guard™)  |
| 1505   | 100005   |     | OIL-4 CYCLE 30W 18OZ.<br>-(18 oz. Bottle)   |
| 1505A  | 100028   |     | OIL-4 CYCLE30W 48OZ<br>-(48 oz. Bottle)   |
| 1505B  | 100170   |     | OIL-5QT VANGUARD (CASE)<br>-(5 qt. Bottle)  |
| 1505C  | 100169   |     | OIL-1QT VANGUARD (CASE)<br>-(1 qt. Bottle)  |



## Engine Mounted Below Deck Mufflers

| REF NO | PART NO | QTY | DESCRIPTION  |
|--------|---------|-----|--|
| 300    | 594584  | 1   | KIT-MUFFLER/GUARD<br>-(Oil Filter Side Outlet) (Engine Supported) (O2 Sensor Port) |
| 300A   | 593877  | 1   | MUFFLER<br>-(Starter Side Outlet) (Engine Supported) (O2 Sensor Port)              |
| 300B   | 594583  | 1   | MUFFLER<br>-(Starter Side Outlet) (Engine Supported) (No O2 Sensor Port)           |
| 300C   | 692120  | 1   | MUFFLER<br>-(Starter Side Outlet) (No O2 Sensor Port)                              |
| 415    | 596859  | 1   | PLUG<br>-(O2 Sensor Port)  |
| 613    | 690341  | 4   | SCREW<br>-(Muffler)  |
| 613A   | 690363  | 4   | SCREW<br>-(Muffler)  |
| 883    | 594365  | 2   | GASKET, Exhaust  |
| 883A   | 690970  | 2   | GASKET, Exhaust  |
| 1177   | 690941  | 4   | NUT<br>-(Muffler)  |

Not For Reproduction



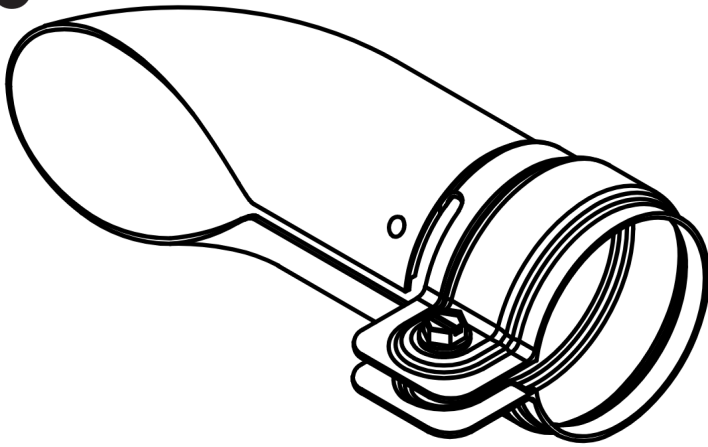
Not For  
Reproduction

## ***Engine Mounted Above Deck Mufflers***

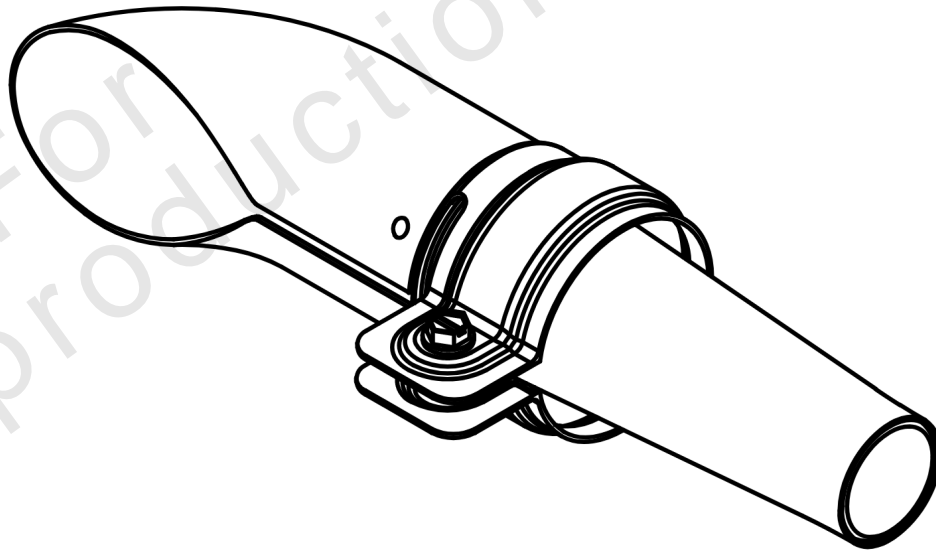
| <b>REF NO</b> | <b>PART NO</b> | <b>QTY</b> | <b>DESCRIPTION</b>  |
|---------------|----------------|------------|---|
| 300C          | 595138         | 1          | MUFFLER<br>-(Oil Filter Side Outlet) (Self-Supporting) (O2 Sensor Port) |
| 300D          | 595139         | 1          | MUFFLER<br>-(Starter Side Outlet) (Self-Supporting) (O2 Sensor Port)    |
| 415           | 596859         | 1          | PLUG<br>-(O2 Sensor Port)   |
| 883           | 594365         | 2          | GASKET, Exhaust   |

Not For Reproduction

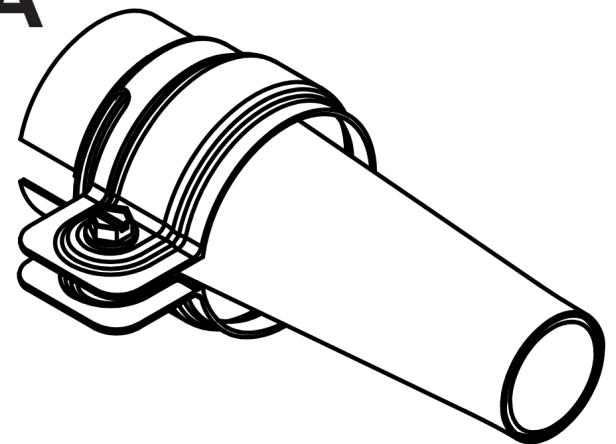
676



994



994A

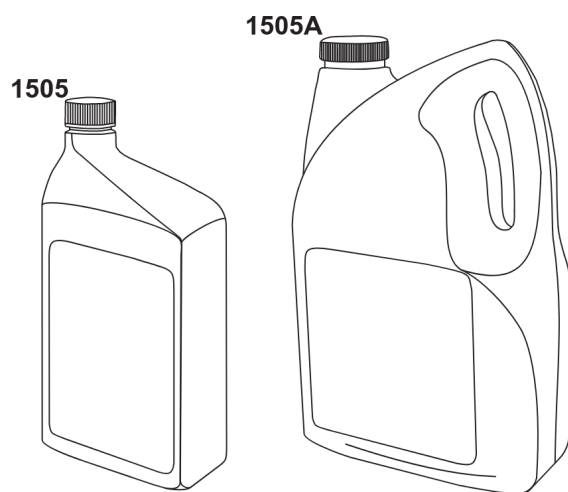
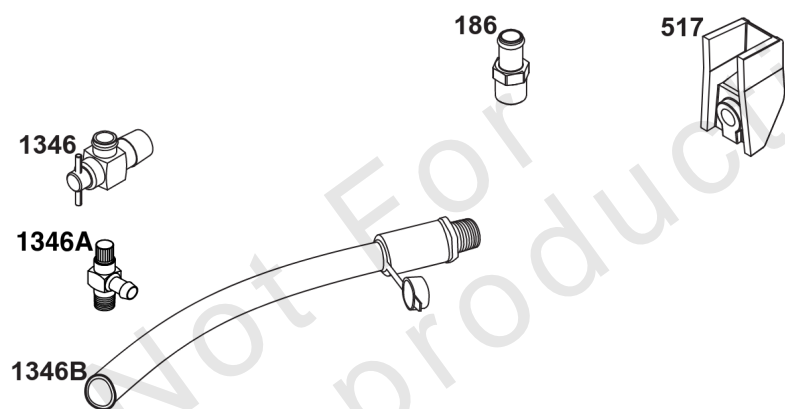
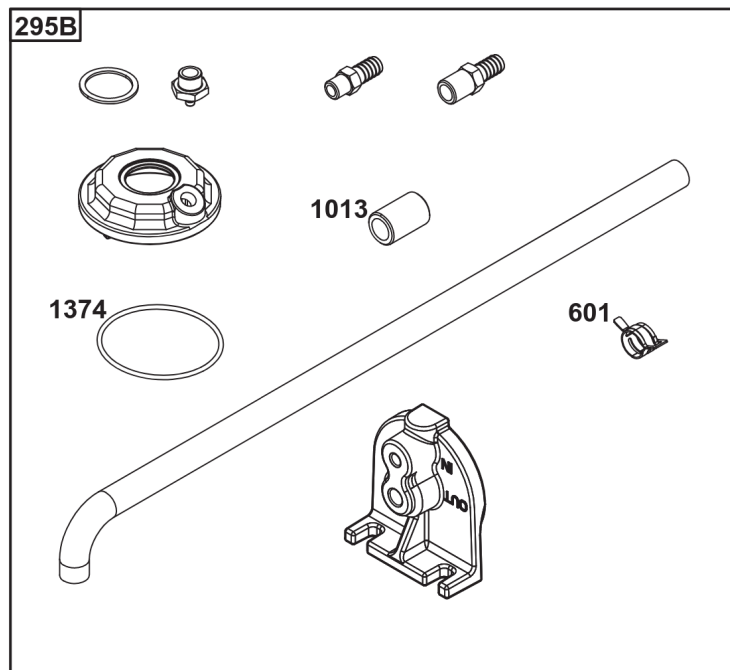
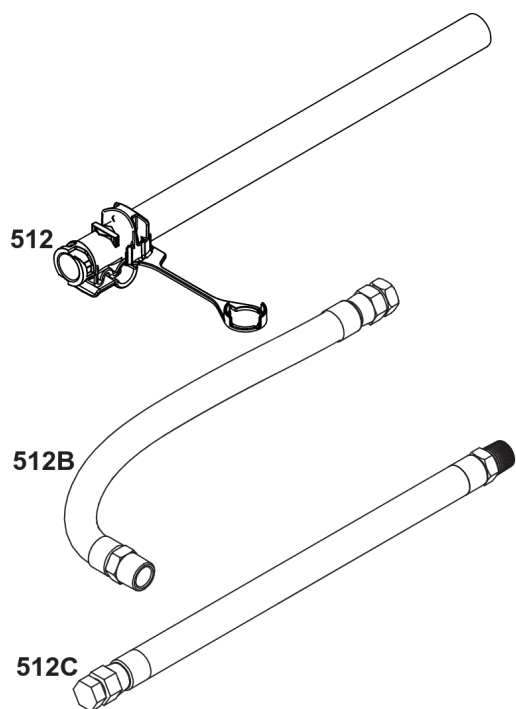




## Spark Arrester/Deflector

| REF NO | PART NO | QTY | DESCRIPTION   |
|--------|---------|-----|---|
| 676    | 593869  | 1   | DEFLECTOR, Muffler<br>-(For Below Deck Mufflers Only) |
| 994    | 593885  | 1   | ARRESTOR, Spark<br>-(For Below Deck Mufflers Only)    |
| 994A   | 593868  | 1   | ARRESTOR, Spark<br>-(For Below Deck Mufflers Only)    |

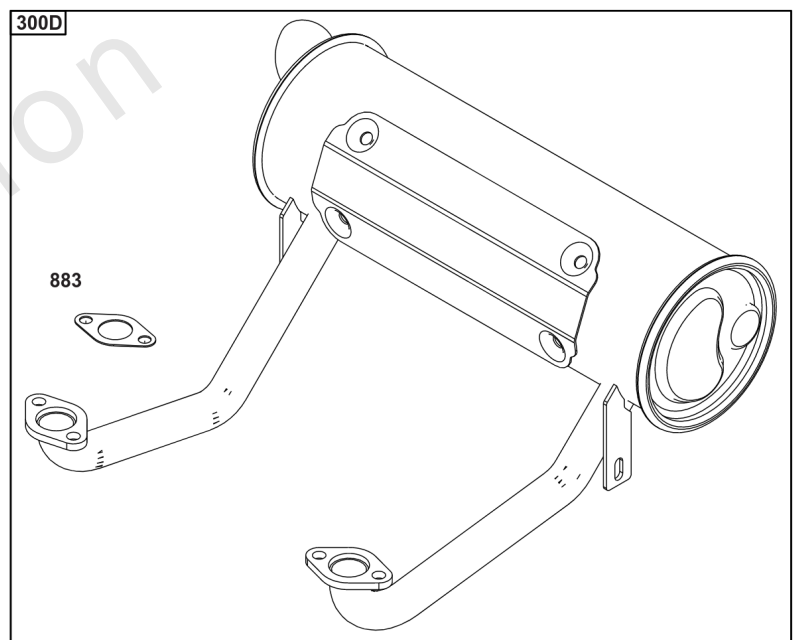
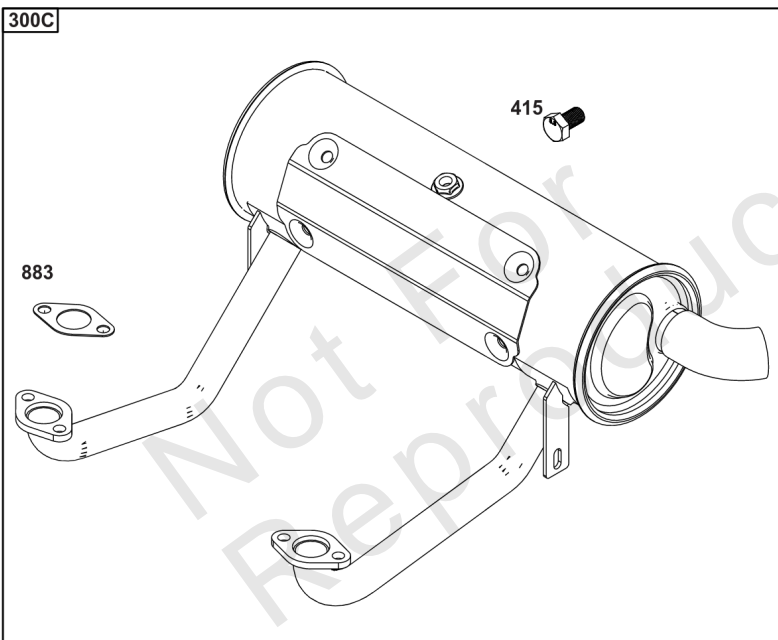
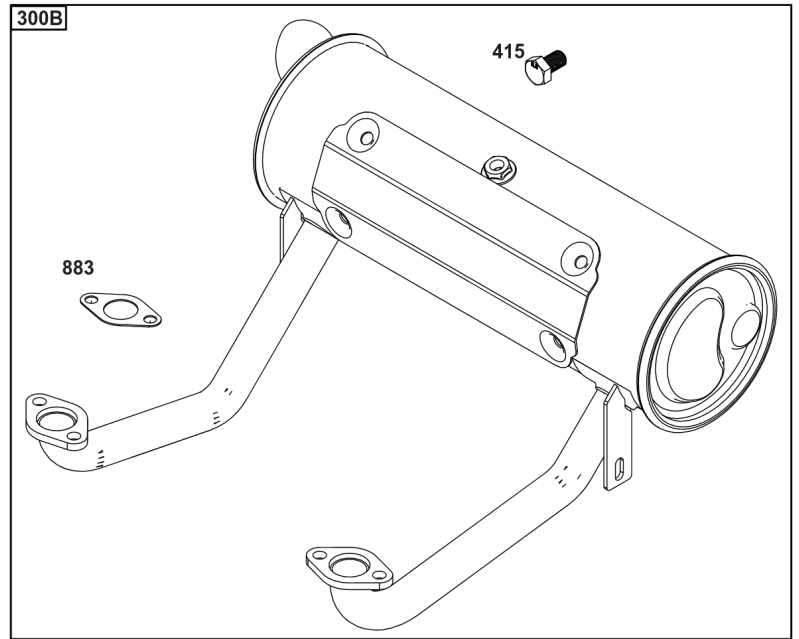
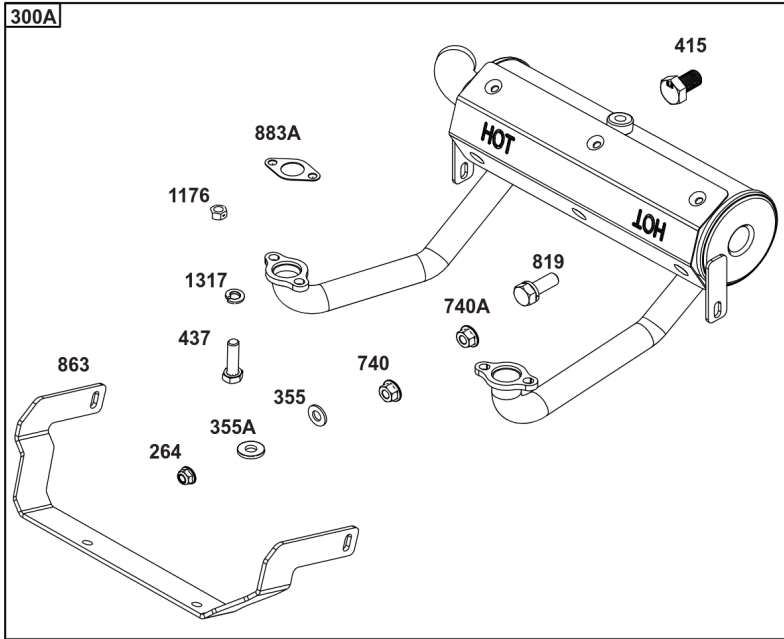
Not For Reproduction



## Lubrication

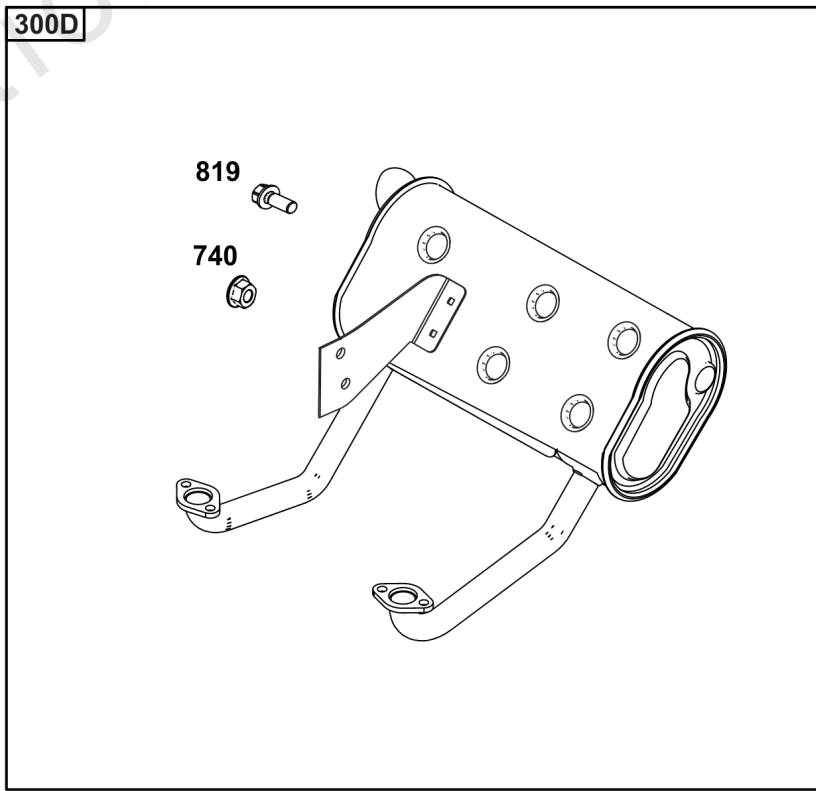
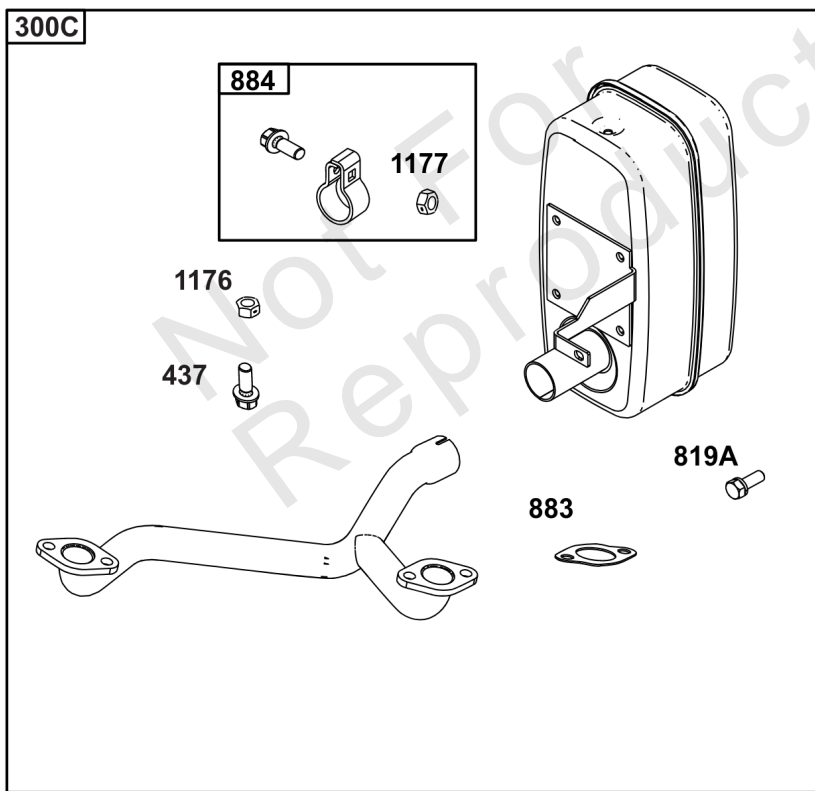
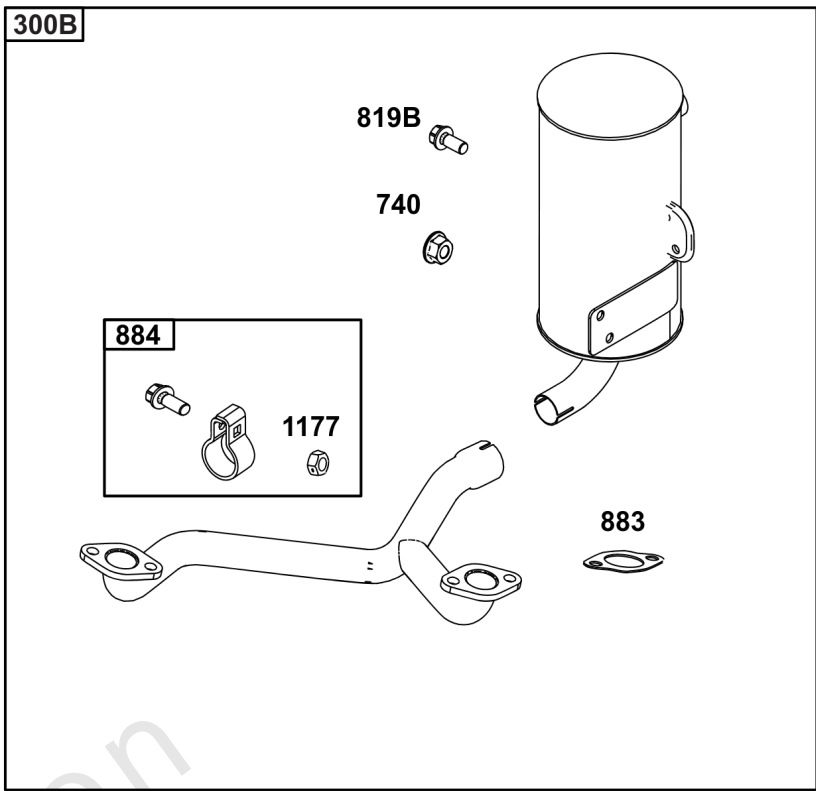
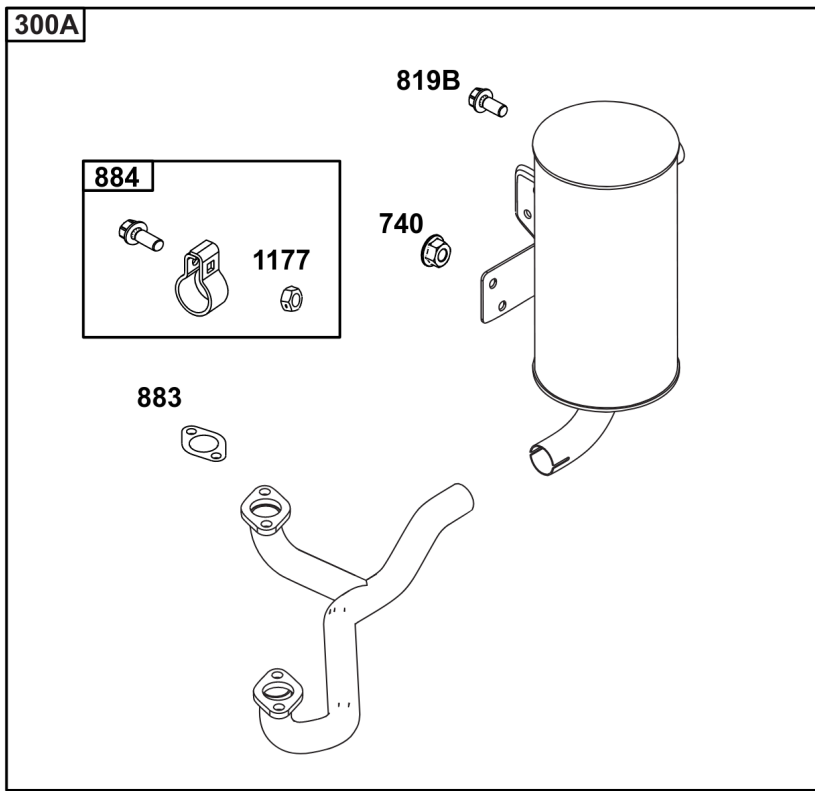
| REF NO | PART NO   | QTY | DESCRIPTION   |
|--------|-----------|-----|---|
| 186    | 796532    | 1   | CONNECTOR, Hose<br>-(Threaded Engine Block Connector for EZ-Oil Drain Hose) (Order hose separate) |
| 239    | 690233    | 1   | SWITCH, Oil Pressure<br>-(2-4 PSI Normally-Closed Switch)   |
| 239A   | 491657S   | 1   | SWITCH, Oil Pressure<br>-(3-5 PSI Normally-Closed Switch)   |
| 239B   | 841281    | 1   | SWITCH, Oil Pressure<br>-(7-10 PSI Normally-Closed Switch)  |
| 239C   | 694115    | 1   | SWITCH, Oil Pressure<br>-(9-13 PSI Normally-Closed Switch)  |
| 239D   | 697049    | 1   | SWITCH, Oil Pressure<br>-(3-6 PSI Normally-Open Switch)   |
| 295B   | 594271    | 1   | ADAPTER, Remote Oil Filter<br>-(Remote Oil Filter Kit)  |
| 512    | 594200    | 1   | HOSE, Oil Drain<br>-(EZ-Oil Drain Hose, 10.5") (Order threaded engine block connector separate)   |
| 512    | 593635    | 1   | HOSE, Oil Drain<br>-(EZ-Oil Drain Hose, 13.75") (Order threaded engine block connector separate)  |
| 512B   | 1723165SM | 1   | HOSE, Oil Drain, 10-1/2" Long, 3/8-18 Fittings<br>-(10.5")  |
| 512C   | 5048681SM | 1   | HOSE, OIL DRAIN<br>-(12.5")   |
| 517    | 593633    | 1   | RETAINER, Oil Drain   |
| 601    | 841597    | 4   | CLAMP, Hose   |
| 1013   | 690954    | 1   | NIPPLE, Oil Filter  |
| 1346   | 844802    | 1   | VALVE, Oil Drain Shut Off   |
| 1346A  | 492031    | 1   | VALVE, Oil Drain Shut Off   |
| 1346B  | 5401WEB   | 1   | VALVE, Oil Drain Shut Off<br>-(1/4 Turn Oil Drain Valve with Hose)                                |
| 1374   | 796863    | 1   | SEAL, O-Ring  |
| 1505   | 100169    |     | OIL-1QT VANGUARD (CASE)<br>-(1 qt. Bottle)  |
| 1505A  | 100170    |     | OIL-5QT VANGUARD (CASE)<br>-(5 qt. Bottle)  |

# Implement Mounted Above Deck Mufflers



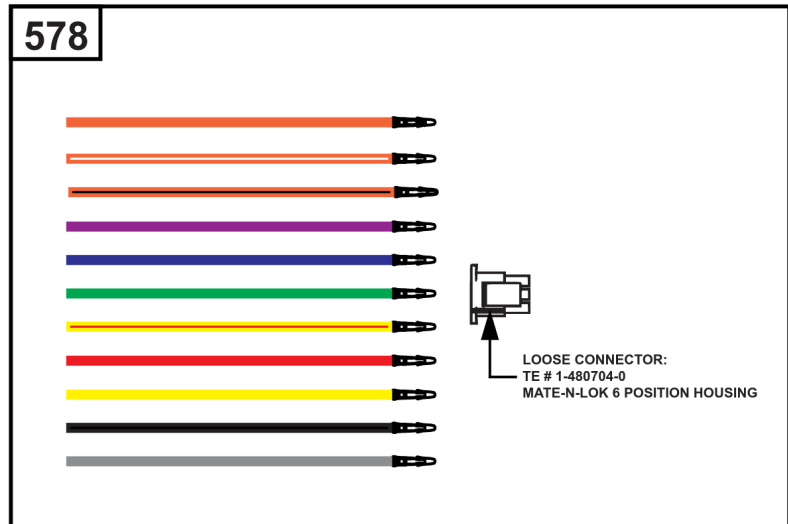
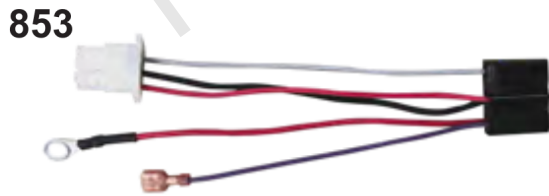
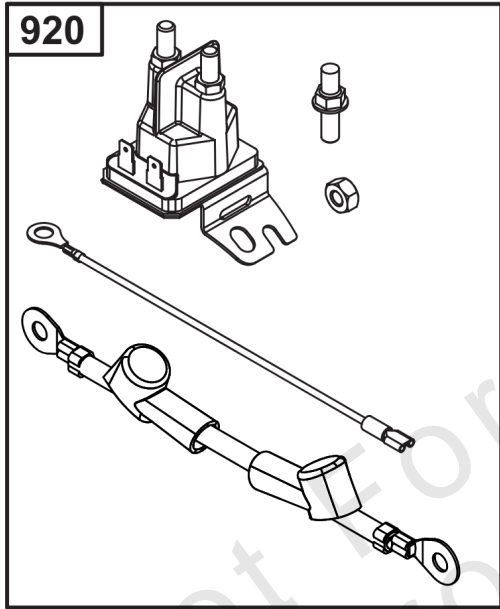
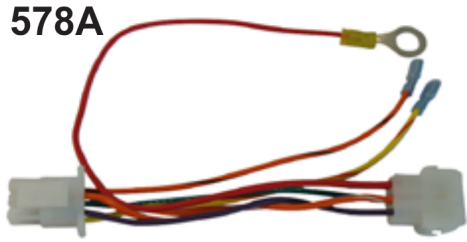
## Implement Mounted Above Deck Mufflers

| REF NO | PART NO   | QTY | DESCRIPTION   |
|--------|-----------|-----|---|
| 300A   | 594585    | 1   | MUFFLER<br>-(Oil Filter Side Outlet) (Implement Supported) (O2 Sensor Port) |
| 300B   | 595134    | 1   | MUFFLER<br>-(Oil Filter Side Outlet) (O2 Sensor Port)                       |
| 300C   | 595135    | 1   | MUFFLER<br>-(Starter Side Outlet) (O2 Sensor Port)                          |
| 300D   | 595136    | 1   | MUFFLER<br>-(Oil Filter Side Outlet)  |
| 264    | 703465    | 4   | NUT, 5/16-18, GR5<br>-(Muffler Adapter)                                     |
| 355    | 5025292SM | 4   | WASHER, 5/16" GD.9 FL<br>-(Muffler Bracket)                                 |
| 355A   | 5025155SM | 2   | WASHER, 5/16<br>-(Muffler Bracket)  |
| 415    | 596859    | 1   | PLUG<br>-(O2 Sensor Port)   |
| 437    | 703585    | 4   | CAPSCREW, 5/16-18X1<br>-(Exhaust Manifold)                                  |
| 740    | 703164    | 2   | NUT<br>-(Muffler Bracket)   |
| 740A   | 703115    | 2   | NUT<br>-(Muffler Bracket)   |
| 819    | 690341    | 4   | SCREW<br>-(Muffler Bracket)   |
| 863    | 597480    | 1   | BRACKET, Muffler  |
| 883    | 594365    | 2   | GASKET, Exhaust   |
| 883A   | 690970    | 2   | GASKET, Exhaust   |
| 1176   | 690941    | 4   | NUT<br>-(Exhaust Manifold)  |
| 1317   | 703116    | 4   | LCKWSHR<br>-(Exhaust Manifold)  |



## Exhaust/Muffler Configurations

| REF NO | PART NO  | QTY | DESCRIPTION   |
|--------|----------|-----|---|
| 300A   | 771127   | 1   | MUFFLER<br>-(Oil Filter Side Outlet)(Commercial & Professional Series)  |
| 300B   | 771128   | 1   | MUFFLER<br>-(Starter Side Outlet)(Commercial & Professional Series)   |
| 300C   | 595822   | 1   | MUFFLER<br>-(Starter Side Outlet)(Commercial & Professional Series)   |
| 300D   | 84003680 | 1   | MUFFLER<br>-(Oil Filter Side Outlet) (Commercial & Professional Series)(Vanguard 810 & 810<br>EFI) (Compatible with 593868 Spark Arrester, 593885 Spark Arrester with<br>Deflector.) (Equipped with plug for blocking off O2 sensor port for non EFI<br>engines.) |
| 437    | 690341   | 4   | SCREW<br>-(Exhaust Manifold)  |
| 740    | 704067   | 2   | NUT, HEX FLNG,5/16-18<br>-(Muffler Bracket)   |
| 819    | 592604   | 2   | SCREW<br>-(Muffler Bracket)   |
| 819A   | 695629   | 4   | SCREW<br>-(Muffler Bracket)   |
| 819B   | 692062   | 2   | SCREW<br>-(Muffler Bracket)   |
| 883    | 594365   | 2   | GASKET, Exhaust   |
| 884    | 691956   | 1   | CLAMP, Muffler  |
| 1176   | 690941   | 4   | NUT<br>-(Exhaust Manifold)  |
| 1177   | 793859   | 1   | NUT<br>-(Muffler)   |

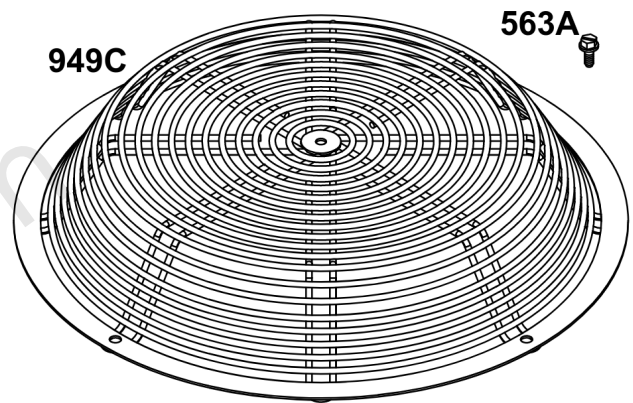
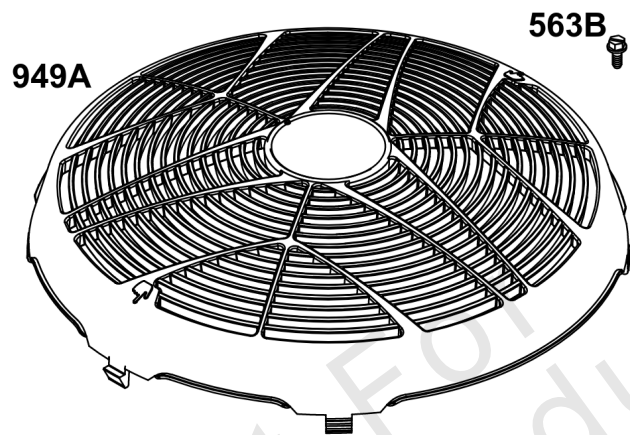
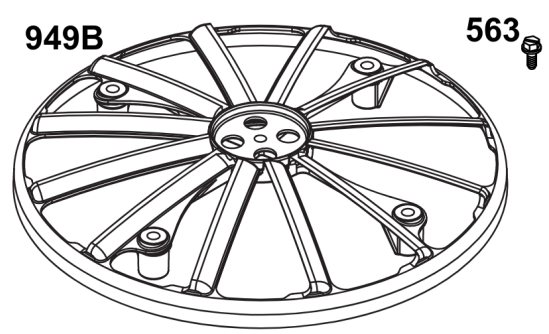
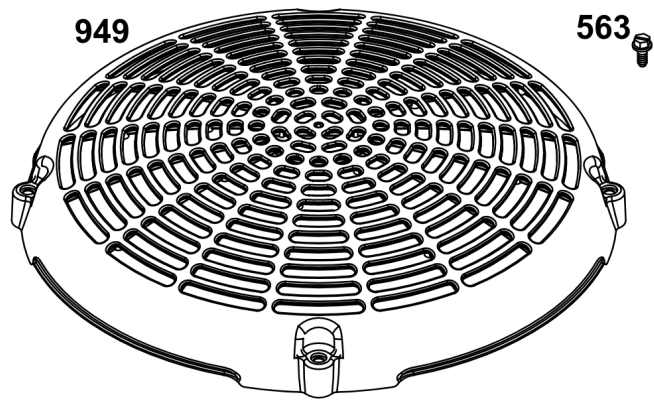




## Electrical

| REF NO | PART NO   | QTY | DESCRIPTION  |
|--------|-----------|-----|--|
| 578    | 84007350  | 1   | WIRE ASSEMBLY<br>-(Wire Harness Adapter Aids in repowering engine application with Male 6-Pin connector and wires create custom adapter configurations.) |
| 578A   | 19631     | 1   | TOOL, CUSTOM HARNESS<br>-(6-pin Wire Harness Adapter) (Aids in repowering engine application to an EFI engine)   |
| 853    | 84003359  | 1   | ADAPTER, WIRE<br>-(Wire Harness Adapter) (Aids in repowering ExMark) (Flat 6-spade connector to Briggs & Stratton 6-Pin connector)                       |
| 920    | 84002147  | 1   | SOLENOID, STARTER<br>-(Starter Solenoid Kit) (Aids in Repowering when original is solenoid shift)  |
| 983    | 5103809YP | 1   | LIGHT, Indicator<br>-(MIL Light Indicator) (LED Red)   |
| 1616   | 19626     | 1   | CODE READER<br>-(Tiny Scan Code Reader)  |

Not For Reproduction

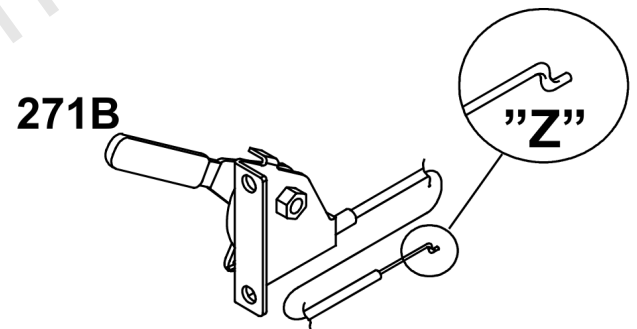
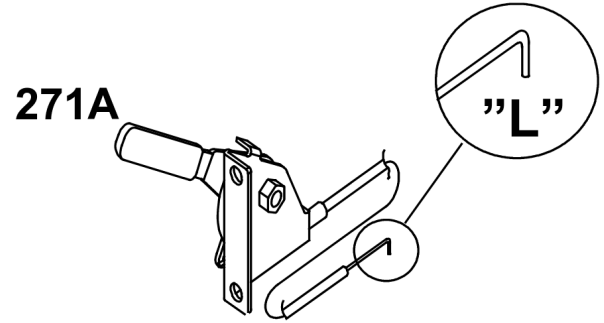
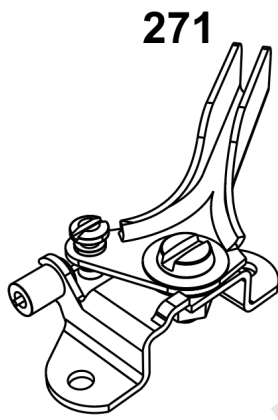
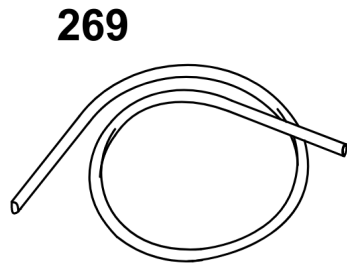
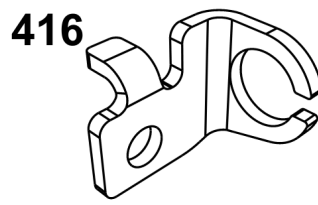
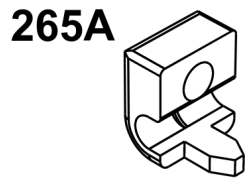
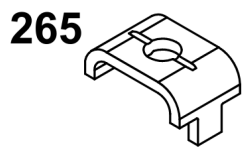


Not For  
Reproduction

## ***Flywheel Guards***

| <b>REF NO</b> | <b>PART NO</b> | <b>QTY</b> | <b>DESCRIPTION</b>   |
|---------------|----------------|------------|--|
| 563           | 799360         | 1          | SCREW<br>-(Debris Screen Guard)  |
| 563A          | 597574         | 1          | SCREW<br>-(Debris Screen Guard)  |
| 563B          | 799359         | 1          | SCREW<br>-(Debris Screen Guard)  |
| 949           | 799357         | 1          | GUARD, Debris Screen<br>-(Static Cover Flywheel) (Requires 4 x 799360 Screw)                             |
| 949A          | 797420YP       | 1          | GUARD, Debris Screen<br>-(Static Cover Flywheel High Flow) (Requires 4 x 799360 Screw)                   |
| 949B          | 593206         | 1          | GUARD, Debris Screen<br>-(Static Cover Flywheel) (Requires 4 x 799359 Screw)                             |
| 949C          | 597573         | 1          | GUARD, Debris Screen<br>-(Wire Static Flywheel Cover) (Requires 4x 597574 Screw) (For Commercial Series) |

Not For Reproduction

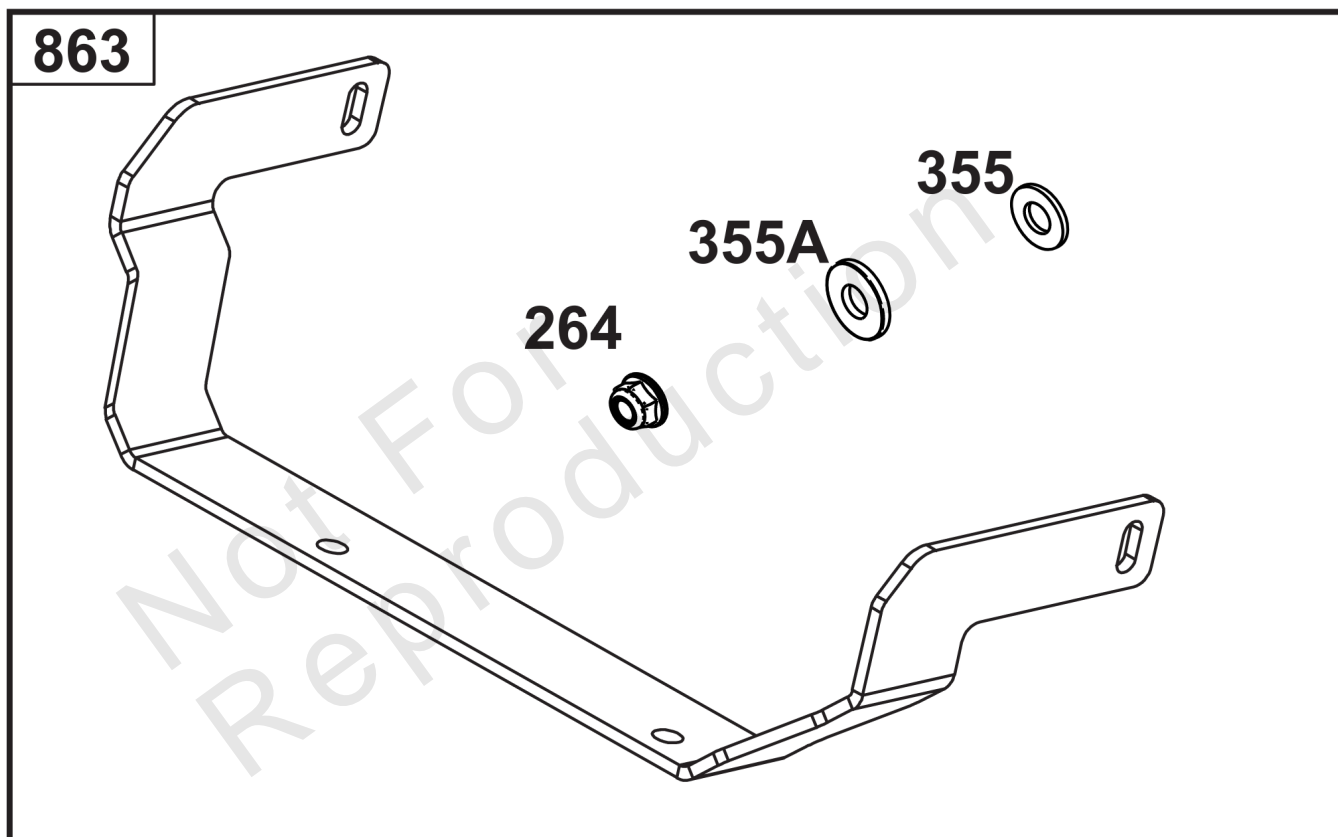
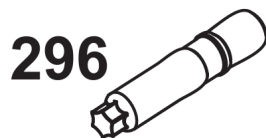
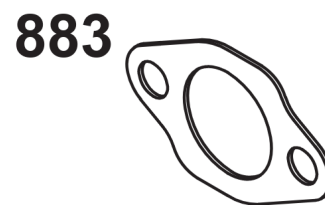


Not For  
Reproduction

## Speed Control

| REF NO | PART NO | QTY | DESCRIPTION  |
|--------|---------|-----|--|
| 265    | 691024  | 1   | CLAMP, Casing<br>-(Casing Clamp for Hard Casing)                 |
| 265A   | 690798  | 1   | CLAMP, Casing<br>-(Casing Clamp for Soft Casing)                 |
| 267    | 792629  | 1   | SCREW<br>-(Screw for Casing Clamp)                               |
| 269    | 93907   | 1   | WIRE, Control<br>-(Control Wire 100')                            |
| 271    | 691028  | 1   | LEVER, Control<br>-(Speed Control Lever Assembly)                |
| 271A   | 692105  | 1   | LEVER, Control<br>-("L" formed end Speed Control Lever Assembly) |
| 271B   | 692541  | 1   | LEVER, Control<br>-("Z" formed end Speed Control Lever Assembly) |
| 416    | 595196  | 1   | BRACKET, Throttle Cable<br>-(Casing Clamp for Snap-In Casing)    |

Not For Reproduction



## Muffler Mounting Hardware

| REF NO | PART NO   | QTY | DESCRIPTION                                 |
|--------|-----------|-----|---|
| 264    | 703465    | 4   | NUT, 5/16-18, GR5<br>-(Muffler Adapter)     |
| 296    | 591756    | 4   | STUD<br>-(Muffler)                          |
| 355    | 5025292SM | 4   | WASHER, 5/16" GD.9 FL<br>-(Muffler Bracket) |
| 355A   | 5025155SM | 2   | WASHER, 5/16<br>-(Muffler Bracket)          |
| 613    | 690341    | 4   | SCREW<br>-(Muffler)                         |
| 613A   | 690363    | 4   | SCREW<br>-(Muffler)                         |
| 863    | 597480    | 1   | BRACKET, Muffler                            |
| 883    | 594365    | 2   | GASKET, Exhaust                             |
| 883A   | 690970    | 2   | GASKET, Exhaust                             |
| 1177   | 690941    | 4   | NUT<br>-(Muffler)                           |

Not For Reproduction

