



# Parts Manual

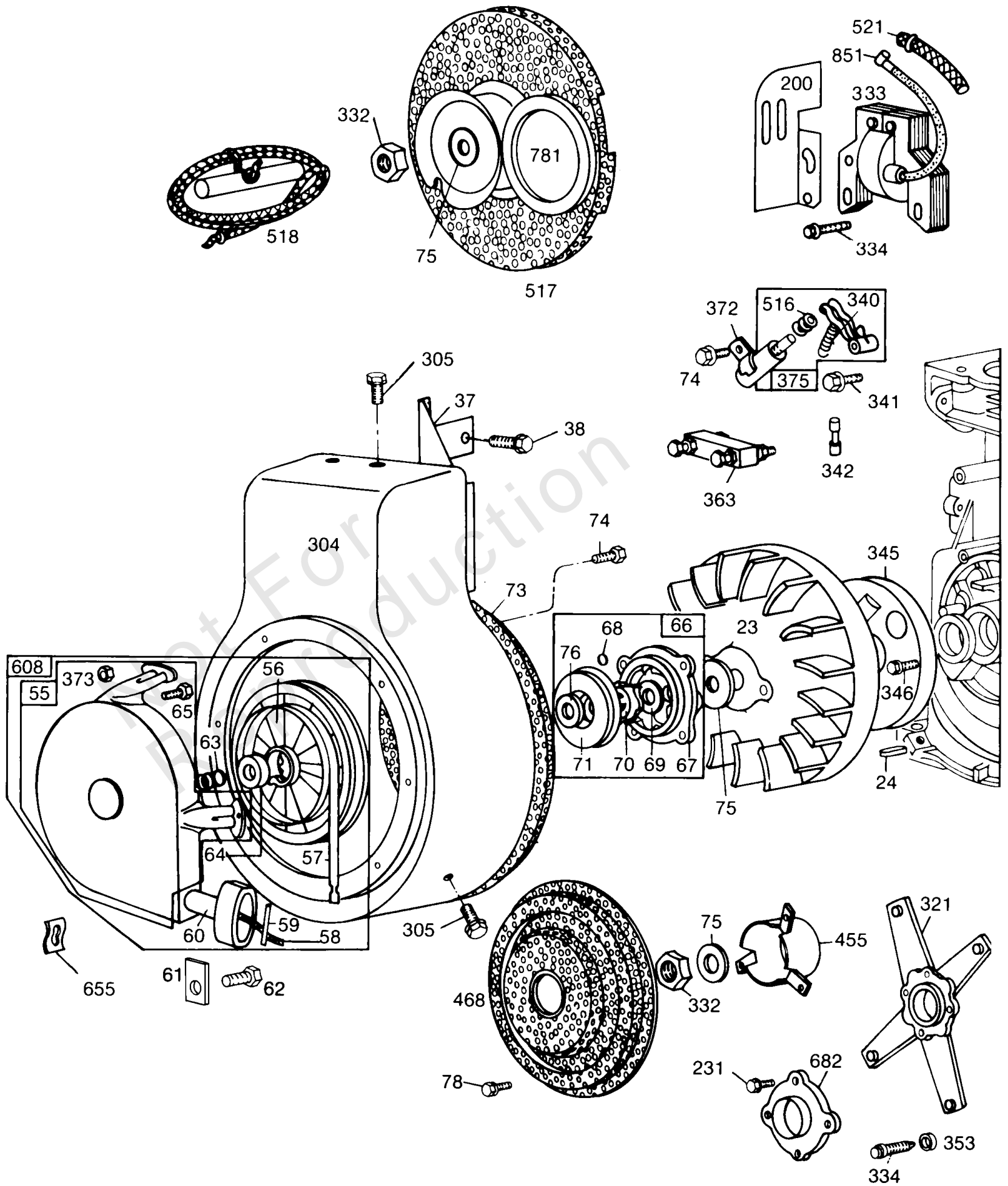
Mfg. No: 190402-6134-99



---

<b>Model Components</b>	<b>Page</b>
Blower Hsg, Flywheels, Screen.....	4
Carburetors, Air Cleaner Grps.....	8
Cyl, Crankcase, Piston, Control.....	14
Electric Starter and Chart.....	20
Electric Starter and Starter.....	22
Electric Starters.....	26
Fuel Tank, Sno-Gard, Primer.....	32
Gear Case, Mufflers & Parts.....	34
Replacement Engine - US & Canada.....	36

Not For  
Reproduction

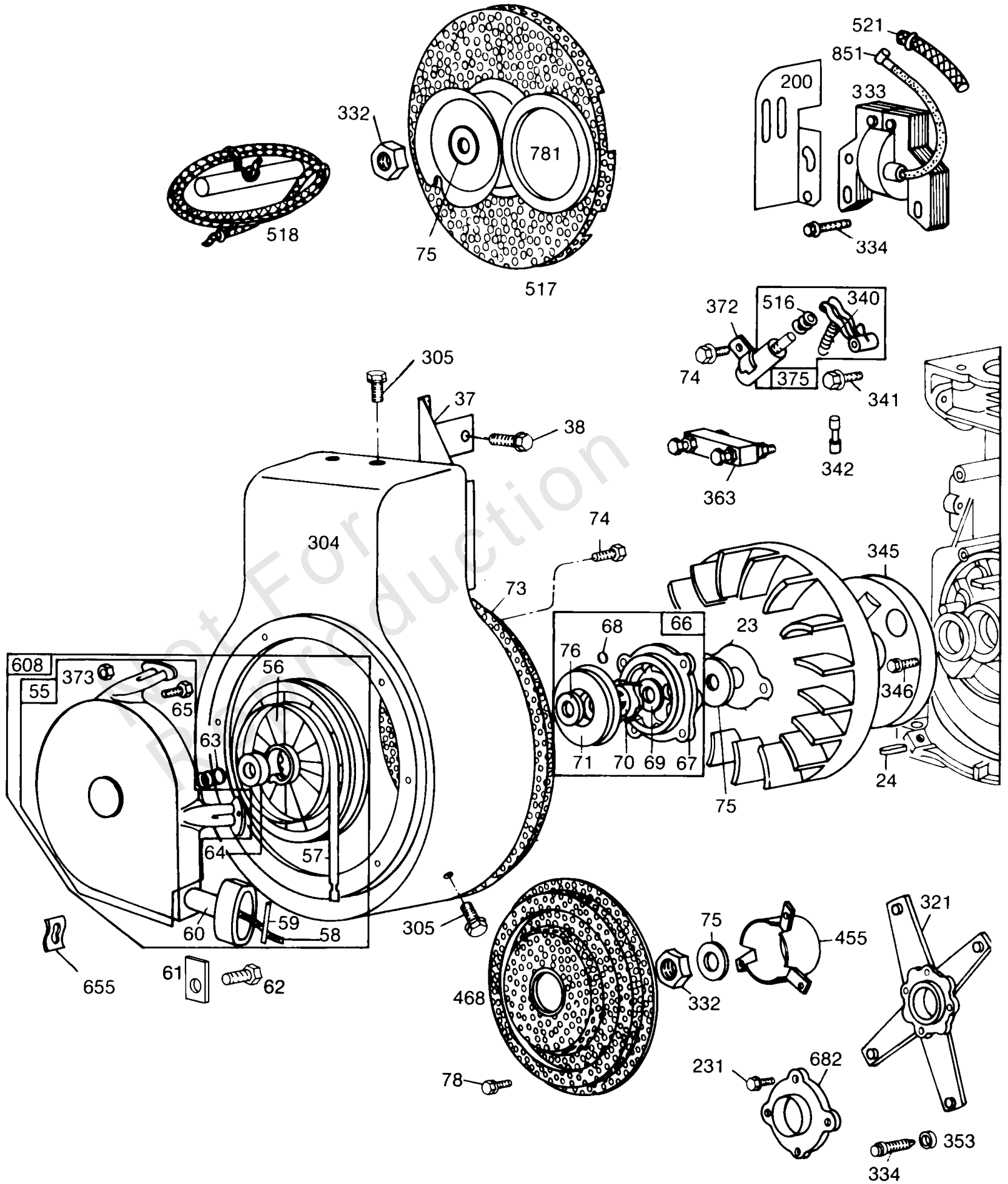


## Blower Hsg, Flywheels, Screen

REF NO	PART NO	QTY	DESCRIPTION
24	61760		KEY, Flywheel -(Breaker Ignition)
37	222475		GUARD, Flywheel
38	93535		SCREW -(5/16-18 X 3/4)
38	93777		SCREW
55	393576		HOUSING, Rewind Starter
56	295871		PULLEY, Starter -(63 Rope) Includes 63 rope; if longer rope is required, order rope No. 66894 and cut to required length.
57	294303		SPRING, Rewind Starter
58	66564		ROPE, Starter -(63 Rope) If longer rope is needed, order No. 66574 and cut to required length.
58	66884		ROPE, Starter -(Cut To Required Length) For use with Plastic Pulley; if longer rope is needed, order No. 66894 and cut to required length.
59	230228		PIN, Starter Grip
60	66728		GRIP, Starter Rope
64	230543		ADAPTER, Ratchet Spring
65	230796		NUT
65	93067		SCREW -(3/8)
65	93572		SCREW -(10-32 X 3/8)
66	394558		CLUTCH, Starter -(engines w/Ring Gear on Flywheel equipped for Electric Start)
67	394897		HOUSING, Clutch
68	63770		BALL, Clutch
69	66718		WASHER -(1-1/16 O.D. X 17/32 I.D.) (1 1/16 O.D. X 17/32 I.D.)
70	298799		RATCHET, Clutch -(engine W/Ring Gear on FW equipped for Elec Start)
71	221653		WASHER
73	221796		SCREEN, Rotating
74	93042		SCREW
74	93705		SCREW -(8-32 X 3/8)
75	220865		WASHER -(Heavy Flywheel)
76	68238		SEAL, Ratchet
78	93805		SCREW
200	221760		GUIDE, Air
231	93064		SCREW
304	299853		HOUSING, Blower
305	93158		SCREW -(1/4-20 X 5/8)
321	211521		CLUTCH, Starter -Uses: 395374 Clutch Assy. 298799 Ratchet Assy. 395354 Housing-Clutch
332	92284		NUT -(Flywheel)
333	298968		ARMATURE, Magneto -(Breaker Ignition)
334	93381		SCREW
340	26018		SPRING, Breaker Arm

### Footnotes:

Use 392918 Panel Kit



## Blower Hsg, Flywheels, Screen

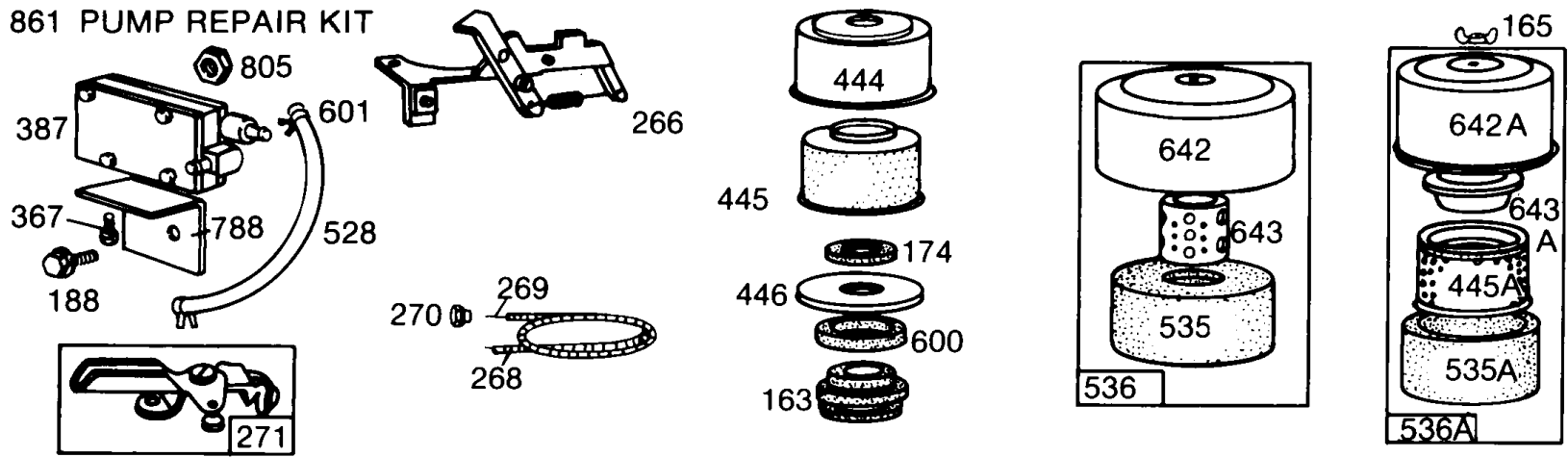
REF NO	PART NO	QTY	DESCRIPTION
341	93381		SCREW
342	65704		PLUNGER, Breaker
345	222117		COVER, Breaker
346	93705		SCREW -(8-32 X 3/8)
353	92791		WASHER
363	19165		PULLER, Flywheel
372	220477		CLAMP
373	92987		STARTER, Rewind
375	294628		BREAKER, Ignition
375	299061		BREAKER, Ignition -Includes: 294628 Point Set 65704 Plunger 61760 Key-Flywheel
455	222561		CUP, Flywheel
468	222302		SCREEN, Rotating -(Stationary) Uses: 231020 Spacer (4) 93572 Screw (8)
468	222562		SCREEN, Rotating
516	260374		SPRING, Condensor
517	295423		PULLEY, Rope Starter
518	69932		GRIP, Starter Rope
521	298529		SHIELD, Protective
608	390391		STARTER, Rewind -For Starter Assy. with longer than standard Rope-Order No. 299640
655	222598		ANCHOR, Rewind Spring -(Stamped Rewind Housing)
682	211516		SHIELD, Starter
781	280068		CAP, Starter Pulley
851	221798		TERMINAL, Spark Plug

---

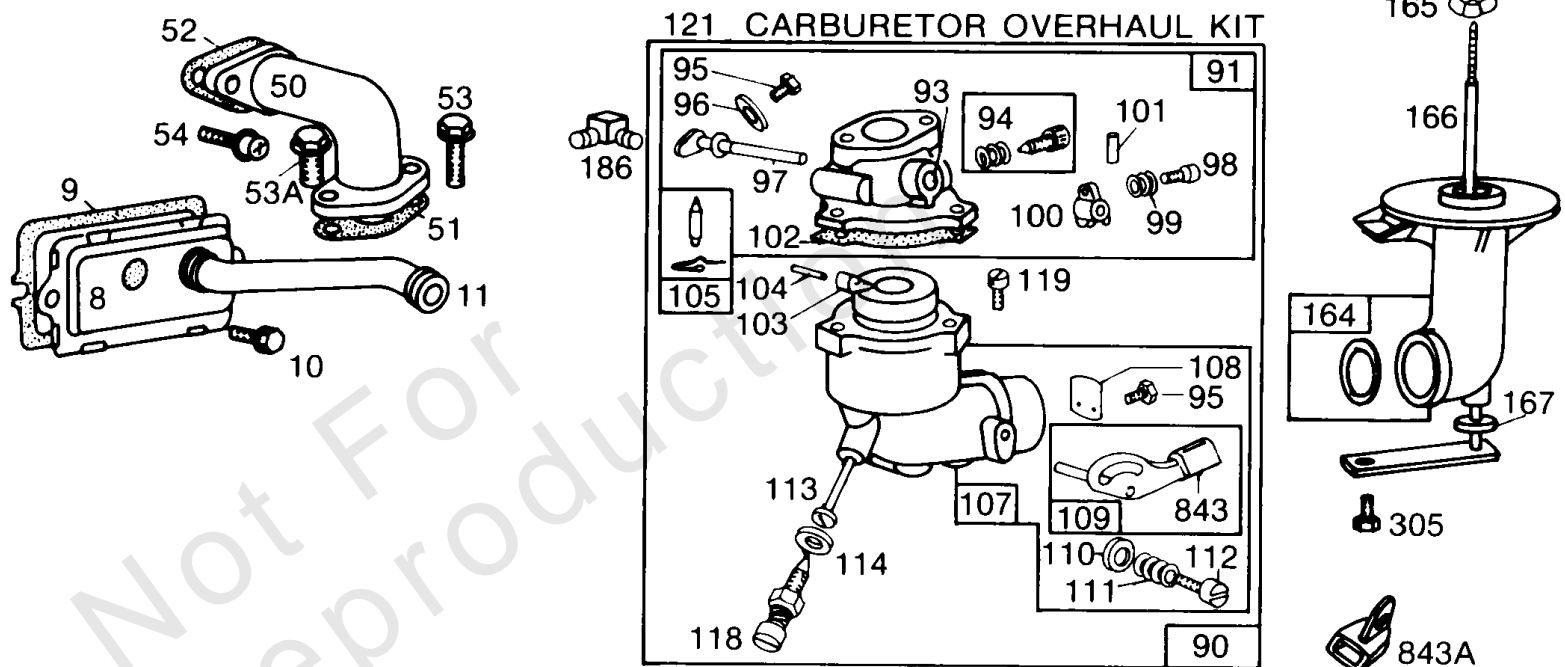
### Footnotes:

Use 392918 Panel Kit

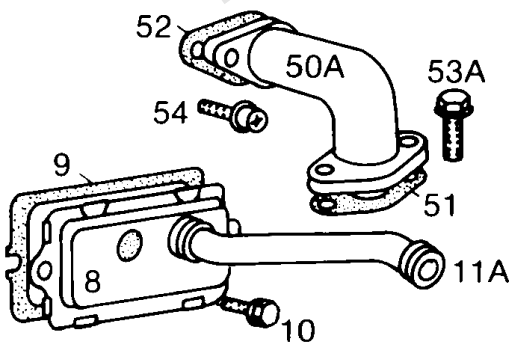
861 PUMP REPAIR KIT



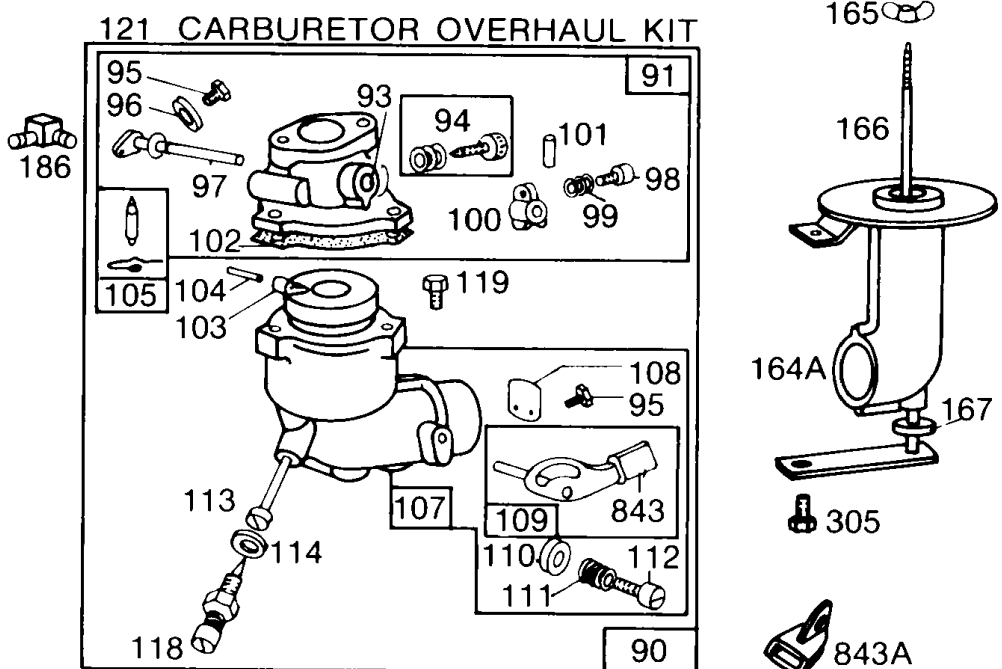
121 CARBURETOR OVERHAUL KIT



NON-METAL AIR CLEANER PIPE GROUP



121 CARBURETOR OVERHAUL KIT



○ 158  
 ⚙ 159

METAL AIR CLEANER PIPE GROUP



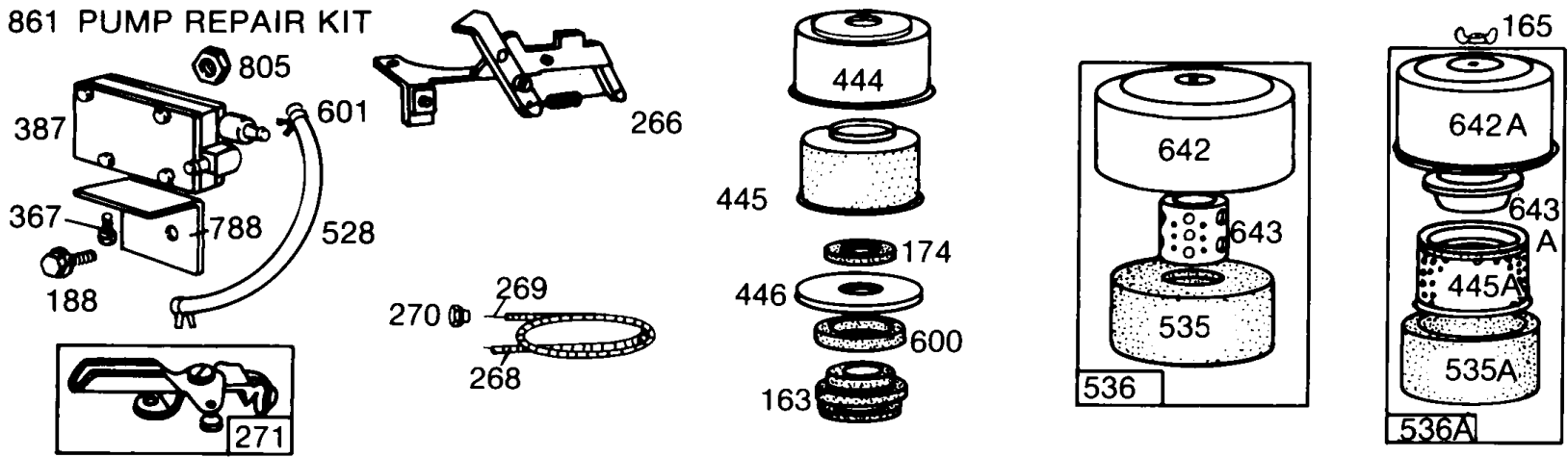
## Carburetors, Air Cleaner Grps

REF NO	PART NO	QTY	DESCRIPTION
8	390321		BREATHER ASSEMBLY
9	27803		GASKET, Rocker Cover -Included in Gasket Set-Part No. 299577
10	93394		SCREW
11A	67068		TUBE, Breather -(Breather Tubes Listed under Ref. 11A are used with Metal Air Cleaner Pipe) (Used with Metal Air Cleaner Pipe)
11	280267		TUBE, Breather -(Breather Tubes Listed under Ref. 11 are used with Nylon Air Cleaner Pipe) (Used with Nylon Air Cleaner Pipe)
11	394353		TUBE, Breather
50A	211812		MANIFOLD, Intake
50	212488		MANIFOLD, Intake
51	65647		GASKET, Intake -Included in Gasket Set-Part No. 299577
52	27828		GASKET, Intake -Included in Gasket Set-Part No. 299577
53A	93357		SCREW
53	93956		SCREW
54	93208		SCREW -(Intake Manifold)
90	390323		CARBURETOR -(Manual Choke)
90	394514		CARBURETOR -(Choke-A-Matic) (Plastic Air Cleaner Pipe)
91	390404		BODY, Upper Carburetor
93	23108		BUSHING, Throttle Shaft
94	292681		VALVE, Idle Mixture -Included in Carburetor Overhaul Kit-Part No. 394693
95	93499		SCREW -(Throttle Valve)
96	62940		VALVE, Throttle
97	298826		SHAFT, Throttle
98	91920		SCREW -(8-32 X 5/8)
99	26157		SPRING, Compression
100	61967		STOP, Throttle
101	93043		PIN, Shaft
102	27918		GASKET, Carburetor Body -Included in Carburetor Overhaul Kit-Part No. 394693
104	230896		PIN, Float Hinge -Included in Carburetor Overhaul Kit-Part No. 394693
105	394681		KIT, Needle/Seat -(Gravity Feed) Order No. 394683 for Fuel Pump Application
107	299170		BODY, Lower Carburetor
107	390403		BODY, Lower Carburetor -Used Before Code Date 82030500
107	394512		BODY, Lower Carburetor -(Choke-A-Matic) (Plastic Air Cleaner Pipe)
108	221835		VALVE, Choke -Used After Code Date 82030400
108	62872		VALVE, Choke -Used Before Code Date 82030500
109	391987		SHAFT, Choke -(Manual)

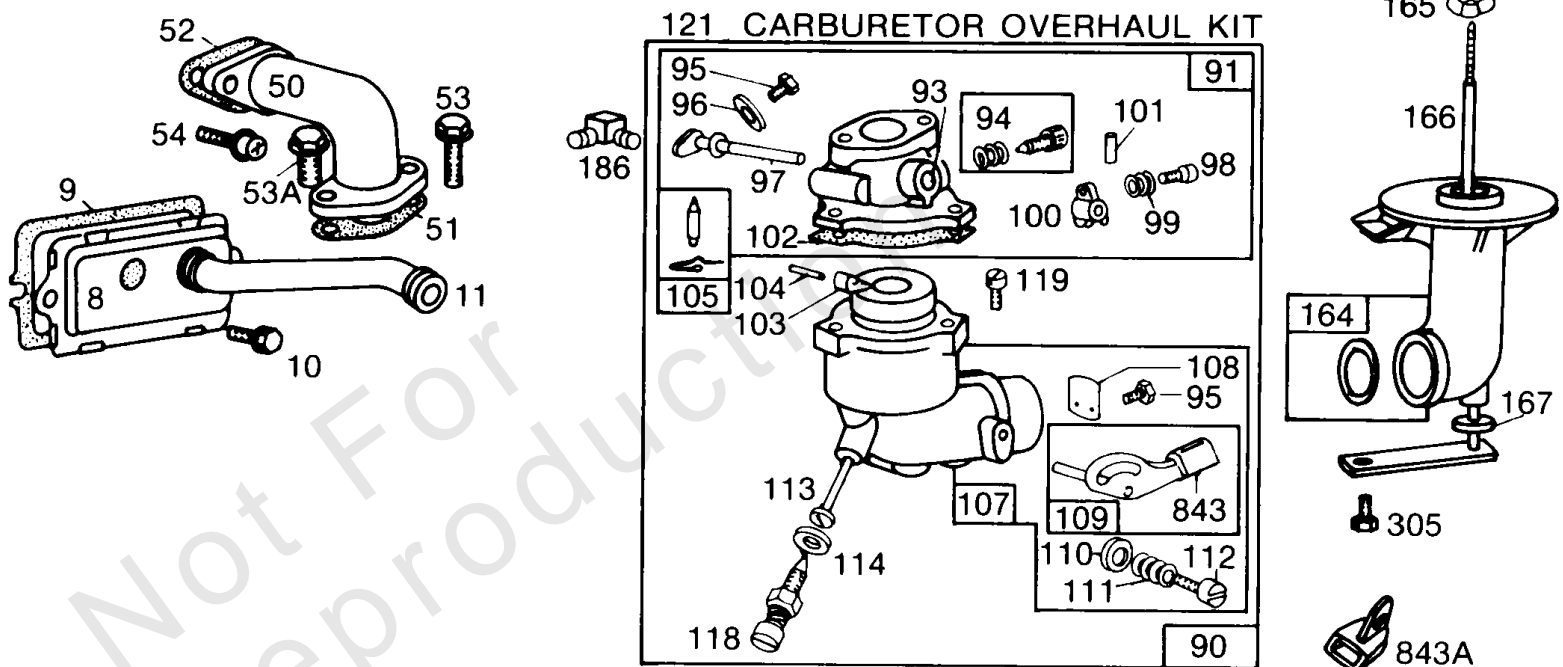
### Footnotes:

Use 392918 Panel Kit

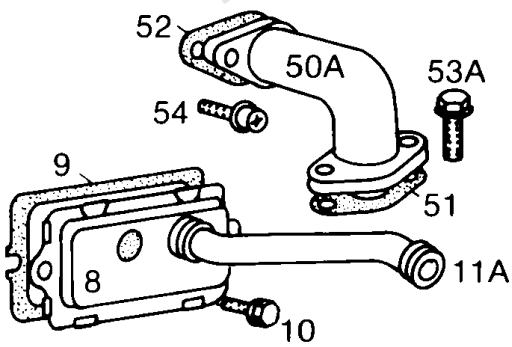
861 PUMP REPAIR KIT



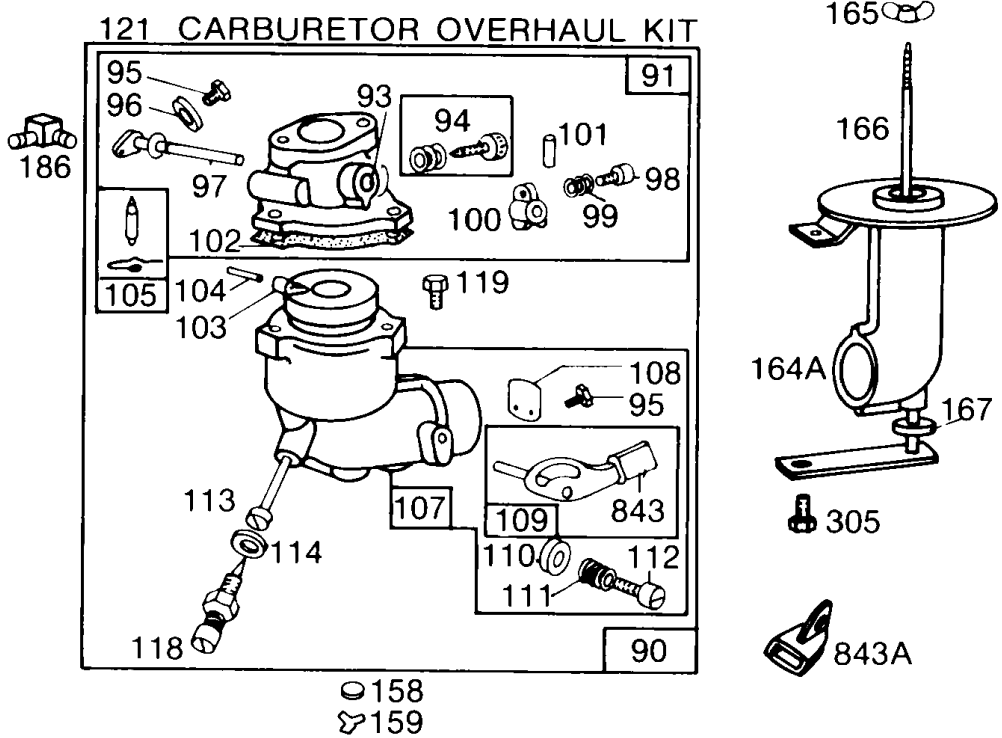
121 CARBURETOR OVERHAUL KIT



NON-METAL AIR CLEANER PIPE GROUP



121 CARBURETOR OVERHAUL KIT



METAL AIR CLEANER PIPE GROUP

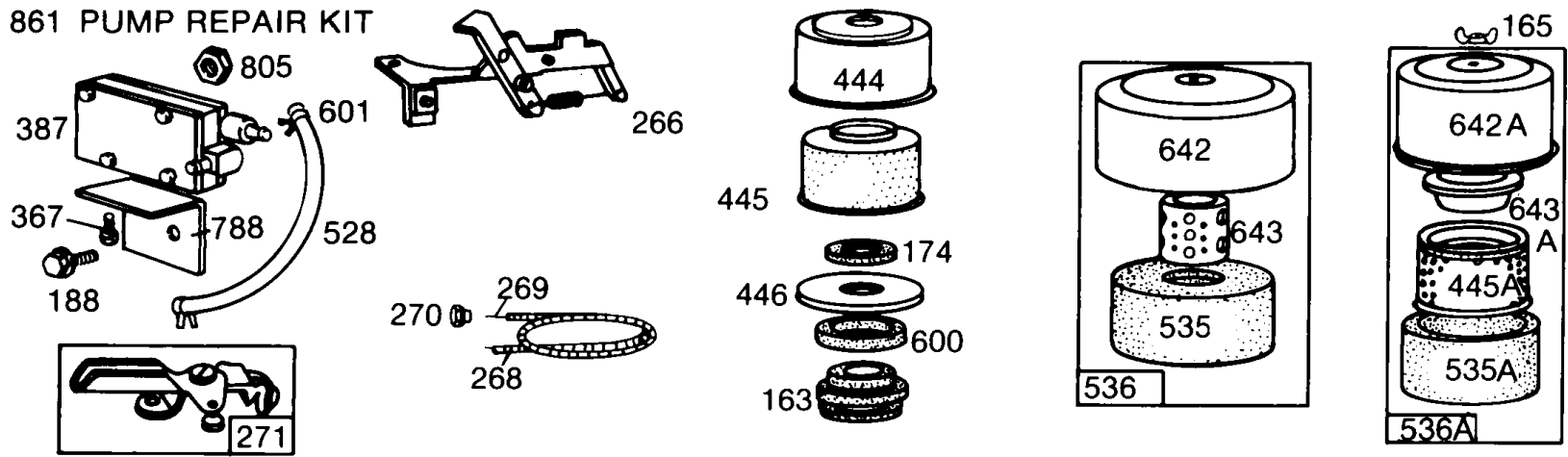
## Carburetors, Air Cleaner Grps

REF NO	PART NO	QTY	DESCRIPTION
109	394509		SHAFT, Choke -(Choke-A-Matic)
110	62899		WASHER -(Thermostat)
111	26155		SPRING, Friction
112	23123		SCREW
113	395207		NOZZLE, Carburetor -Included in Carburetor Overhaul Kit-Part No. 394693
114	68667		WASHER -(Viton Seat) Included in Carburetor Overhaul Kit-Part No. 394693
118	99525		VALVE, High Speed -Included in Carburetor Overhaul Kit-Part No. 394693
119	93496		SCREW -(10-32 X 5/8)
121	291763		KIT, Carburetor Overhaul -Used Before Code Date 81033000
121	394693		KIT, Carburetor Overhaul -Used After Code Date 81032700
158	27590		PLUG, Carburetor Filter/Drain
159	220521		RETAINER, Carburetor Drain
163	27907		GASKET, Air Cleaner
164A	391628		BASE, Air Cleaner
164	394520		BASE, Air Cleaner -Uses: 271265 O-Ring
165	93453		NUT
166	390325		STUD
167	65978		SEAL, O-Ring -(Needle Valve)
174	270730		GASKET, Air Cleaner
186	67218		CONNECTOR, Hose
188	93535		SCREW -(5/16-18 X 3/4)
266	291460		CONTROL, Throttle -(Disc Type)
266	390802		CONTROL, Throttle -Uses: 261137 Spring-Throttle Return
268	65616		CASING, Control Wire -(Cut To Required Length)
269	26633		WIRE, Control -(Cut To Required Length) If longer wire is required, specify length in inches; if shorter wire is needed, order No. 26633 and cut to required length.
270	63426		NUT -(Control Wire Casing)
271	290568		LEVER, Control
305	93158		SCREW -(1/4-20 X 5/8)
367	93380		SCREW
387	390765		PUMP, Fuel -Order No. 394462 For Pump Repair Kit
444	390588		COVER, Air Cleaner
445A	390930		FILTER, A/C Cartridge
445	390492		FILTER, A/C Cartridge
446	221969		BRACKET, Air Cleaner
528	390674		LINE, Fuel

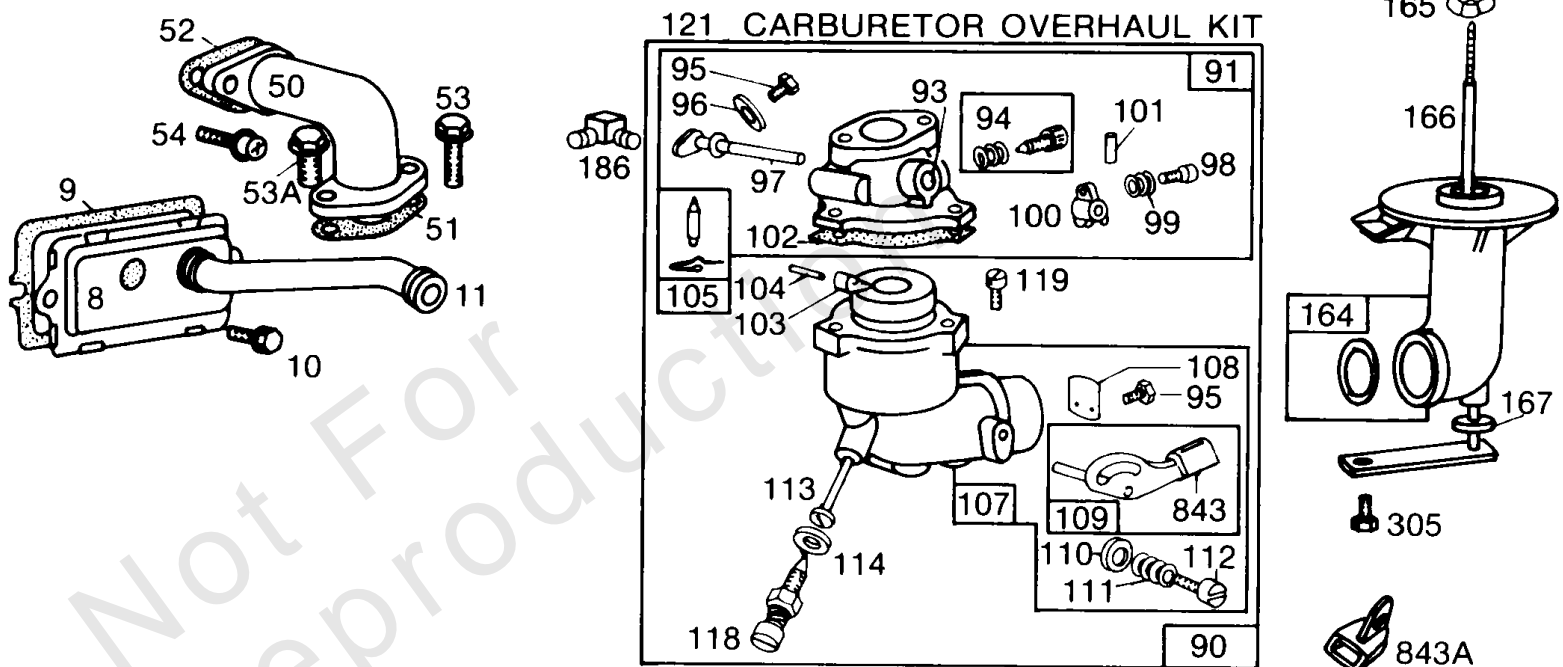
### Footnotes:

Use 392918 Panel Kit

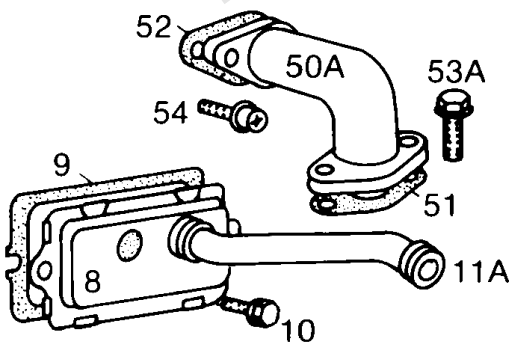
861 PUMP REPAIR KIT



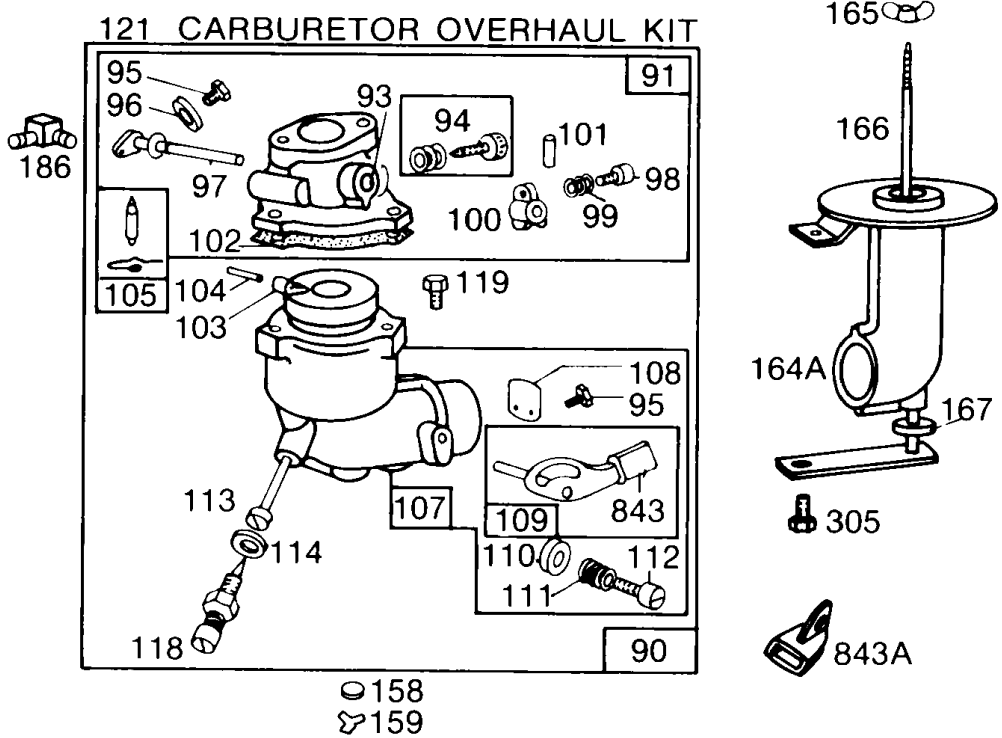
121 CARBURETOR OVERHAUL KIT



NON-METAL AIR CLEANER PIPE GROUP



121 CARBURETOR OVERHAUL KIT



○ 158  
 ♀ 159

METAL AIR CLEANER PIPE GROUP

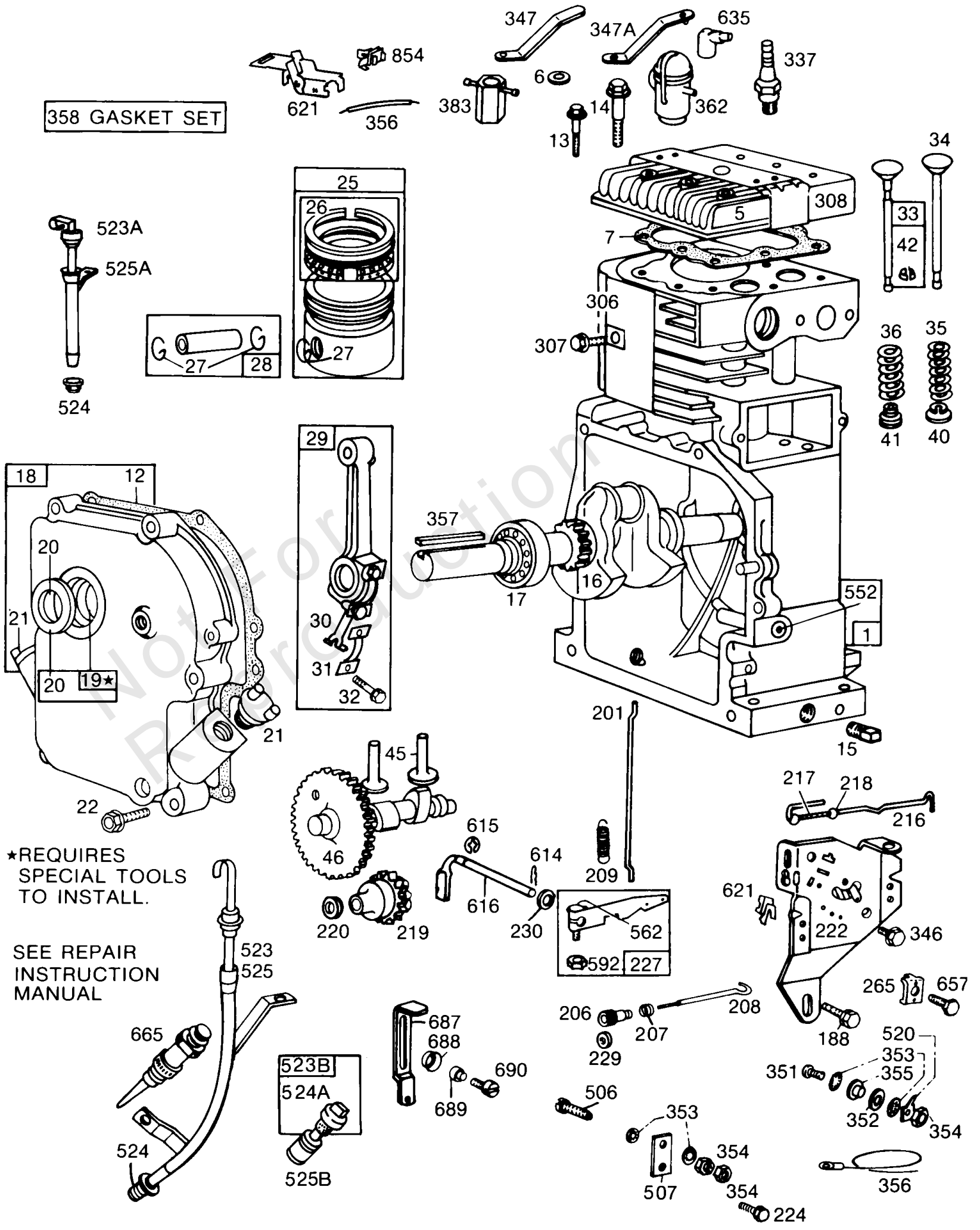
## Carburetors,Air Cleaner Grps

REF NO	PART NO	QTY	DESCRIPTION
535A	270782		FILTER, Air Cleaner Foam
535	270093		FILTER, Air Cleaner Foam
536A	391063		CLEANER, Air -For Dual Element Air Cleaner Kit order Part No. 393459. Used with Std. Air Cleaner Pipe Assembly.
536	390400		CLEANER, Air
600	270055		SPACER
601	93053		CLAMP, Hose -(Green)
642A	222271		COVER, Air Cleaner
642	221468		COVER, Air Cleaner
643A	222272		RETAINER, Air Filter
643	280001		SUPPORT, Foam Element
788	222221		BRACKET, Fuel Pump
805	231001		NUT
843A	280147		KNOB, Control -(Sno gard)
843	280149		SLEEVE, Lever
861	394462		KIT, Fuel Pump -(Use With Pump 390818 Only)

---

### Footnotes:

Use 392918 Panel Kit



358 GASKET SET

★REQUIRES SPECIAL TOOLS TO INSTALL.

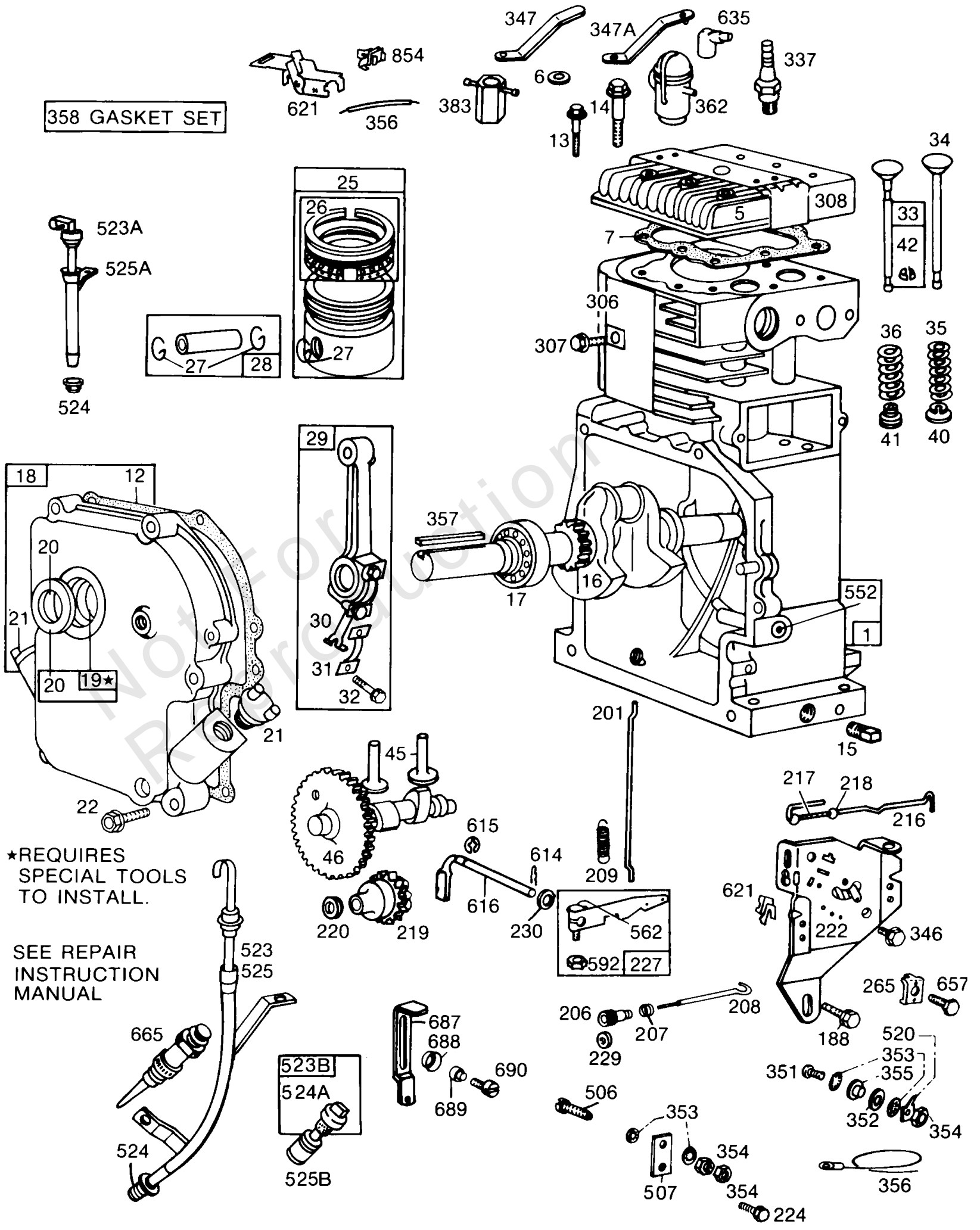
SEE REPAIR INSTRUCTION MANUAL

## Cyl,Crankcase,Piston,Control

REF NO	PART NO	QTY	DESCRIPTION
1	392001		CYLINDER ASSEMBLY
5	212286		HEAD, Cylinder
6	22963		WASHER
7	270430		GASKET, Cylinder Head -Included in Gasket Set-Part No. 299577
12	27750		GASKET, Crankcase -(1/64) Included in Gasket Set-Part No. 299577
12	27876		GASKET, Crankcase -(.005) Included in Gasket Set-Part No. 299577
12	27877		GASKET, Crankcase -(.009) Included in Gasket Set-Part No. 299577
13	93211		SCREW -(5/16-18 X 2-21/32)
13	93776		STUD -(Cylinder Head)
14	93723		SCREW -(3)
14	93781		STUD -(3 15/16)
15	91084		PLUG, Oil Drain -(3/8)
17	29530		BEARING, Ball
19	295964		KIT, Bushing/Seal -(PTO Side)
21	66768		PLUG, Oil
25	391673		PISTON ASSEMBLY -(Standard)
25	391674		PISTON ASSEMBLY -(.010 Oversize)
25	391675		PISTON ASSEMBLY -(.020 Oversize)
25	391676		PISTON ASSEMBLY -(.030 Oversize)
27	68546		LOCK, Piston Pin
28	295840		PIN, Piston -(Standard)
28	295841		PIN, Piston -(.005 Oversize)
29	390401		ROD, Connecting -For Connecting Rod with .020 undersize Crankpin Bore-Order No. 390773
30	222113		DIPPER, Connecting Rod
31	222114		LOCK, Rod Screw
32	92659		SCREW -(Connecting Rod)
34	261055		VALVE, Intake
35	65906		SPRING, Valve -(Intake)
36	26828		SPRING, Valve -(Exhaust)
40	221596		RETAINER, Valve -(Valves With Groove In Stem)
41	292260		RETAINER, Valve -(Exhaust Valve) (Exhaust)
42	93630		KEEPER, Valve -(2)

### Footnotes:

Use 392918 Panel Kit



★REQUIRES SPECIAL TOOLS TO INSTALL.

SEE REPAIR INSTRUCTION MANUAL

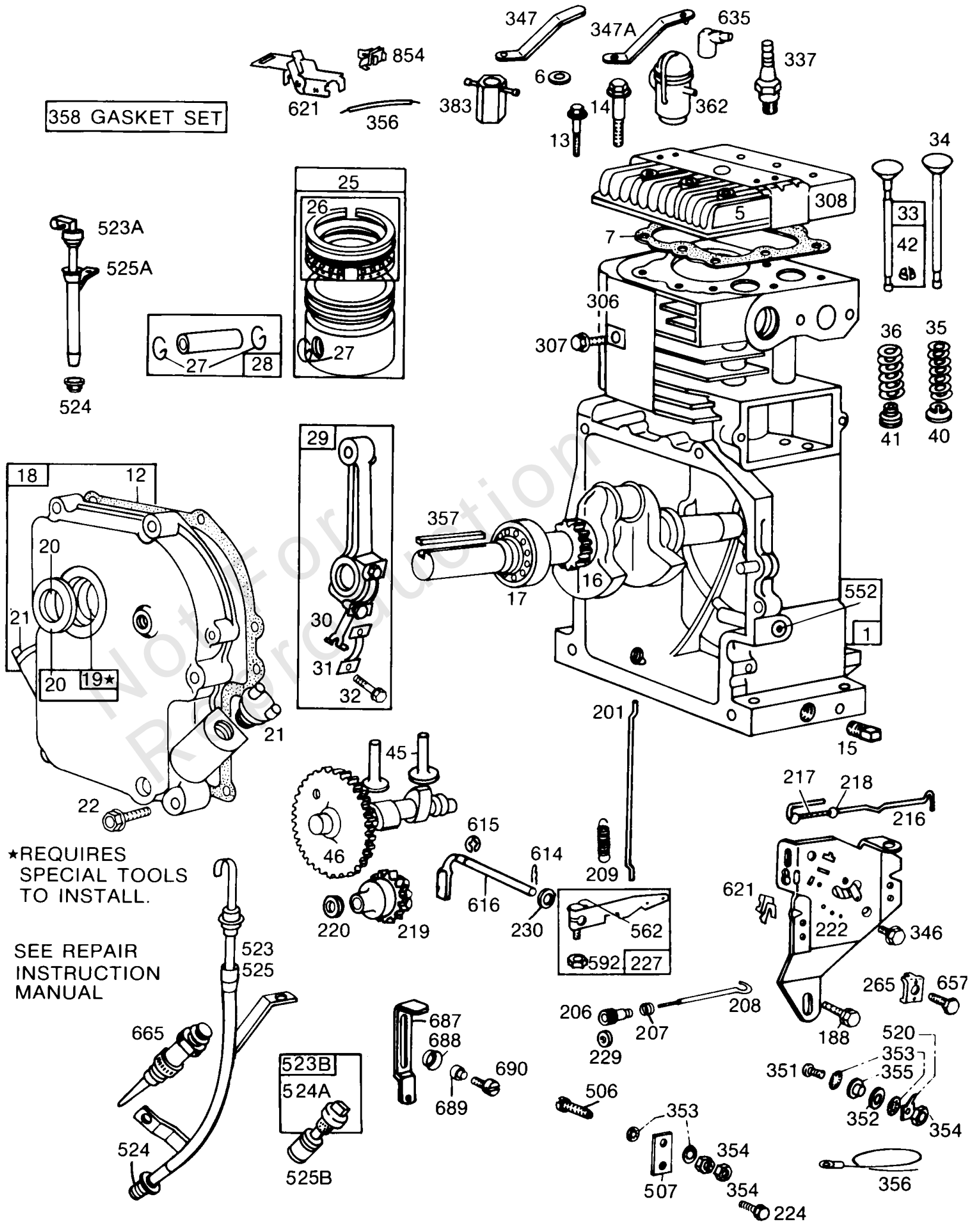


## Cyl,Crankcase,Piston,Control

REF NO	PART NO	QTY	DESCRIPTION
46	211689		CAMSHAFT
188	93535		SCREW -(5/16-18 X 3/4)
201	260872		LINK, Throttle
206	230149		NUT, Governor Adjusting -(5-44)
207	26855		SPRING, Governor Link
208	230841		ROD, Governor Control
209	260695		SPRING, Governor
216	261122		LINK, Choke
217	261119		SPRING, Choke Return
218	222352		WASHER
219	391737		GEAR, Governor
220	221551		WASHER -(Governor Lever)
222	390670		BRACKET, Control
224	93067		SCREW -(3/8)
227	391965		LEVER, Governor Control -(1/4 Diameter)
229	220680		WASHER
230	222450		WASHER
265	221535		CLAMP, Casing -(Stamped Steel)
306	222830		SHIELD, Cylinder
307	93163		SCREW
308	222636		COVER, Cylinder Head
337	293918		PLUG, Spark
337	29693		PLUG, Spark
337	298809		PLUG, Spark
337	392588		PLUG, Spark
346	93705		SCREW -(8-32 X 3/8)
347A	298926		SWITCH, Spark Plug Stop
347	220197		SWITCH, Stop -(1-1/2 High, 38 Mm. Spark Plugs)
351	91920		SCREW -(8-32 X 5/8)
351	93735		SCREW
352	66068		WASHER -(Fiber)
353	92791		WASHER
354	90576		NUT -(Ground Terminal)
355	66554		WASHER -(Insulating)
356	299500		WIRE, Stop -(Used with Armature Refs. 333A and 333B)
357	91540		KEY, Drive Pulley -(1/4)
358	299577		GASKET SET, Engine
362	291630		SHIELD, Spark Plug -(With Stop Switch)

### Footnotes:

Use 392918 Panel Kit



★REQUIRES SPECIAL TOOLS TO INSTALL.

SEE REPAIR INSTRUCTION MANUAL

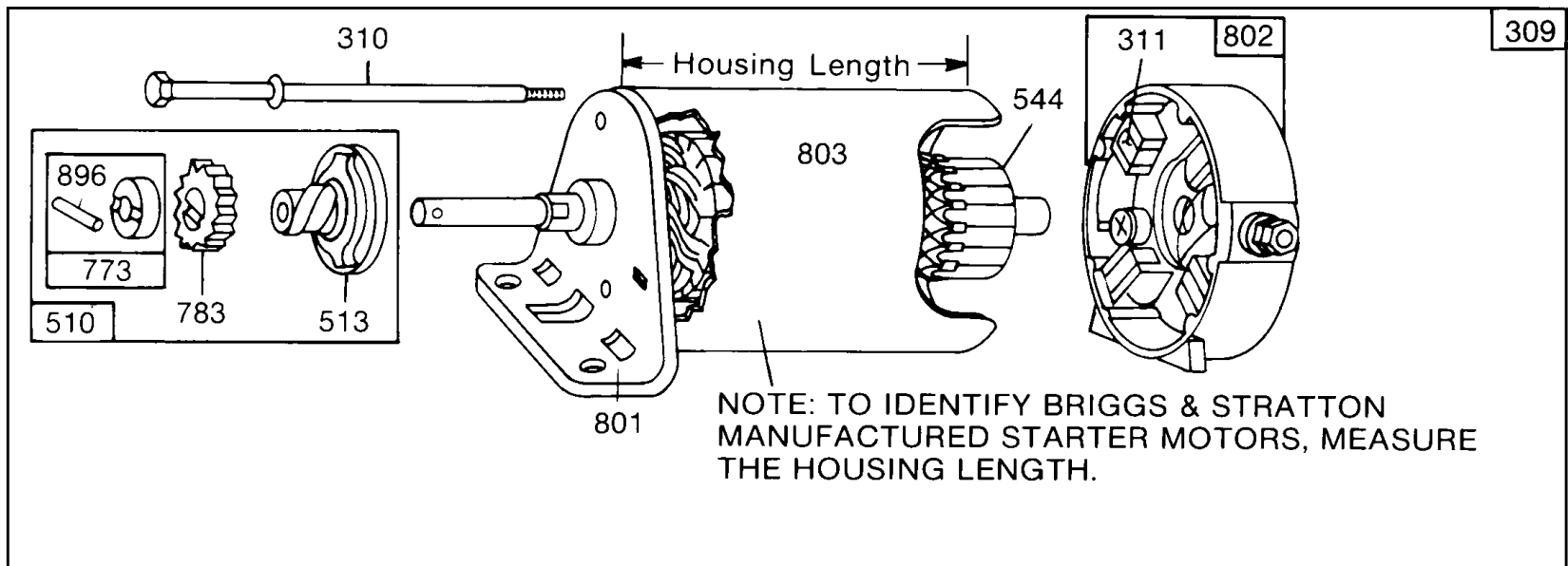
## Cyl,Crankcase,Piston,Control

REF NO	PART NO	QTY	DESCRIPTION
383	89838		WRENCH, Spark Plug
506	90200		SCREW -(8-32 X 1/2)
507	66895		INSULATOR
520	93722		TERMINAL, Ground
523A	390969		DIPSTICK
523B	297357		DIPSTICK/CAP ASSEMBLY
523B	295923		CAP, Oil Fill -Uses: 65304 Gasket 230553 Nipple-Oil Filler (5 1/4 Lg.)
523	390848		DIPSTICK
524A	65304		SEAL, O-Ring -(Dipstick Cap)
524	68838		SEAL, O-Ring -(Dipstick Tube)
525B	91258		TUBE, Dipstick -(2 1/2) (All Nipples Listed Use 394884 Adaptor-Oil Filler)
525B	230553		PIPE, Oil -(5-1/4)
525A	390970		TUBE, Dipstick
525	299284		TUBE, Dipstick
552	231056		BUSHING, Governor Crank -(1/4 I.D.)
562	92613		BOLT -(Governor Lever)
592	231082		NUT -(Governor Control)
614	93306		PIN, Cotter
615	93307		RETAINER, Governor Shaft
616	231057		CRANK, Governor -(1/4 Diameter)
621	297472		SWITCH, Stop
635	66538		BOOT, Spark Plug
657	93496		SCREW -(10-32 X 5/8)
665	298859		MINDER, Oil
687	298957		SLIDE, Control
688	221766		SPRING, Friction
689	260847		SPRING, Friction
690	92484		SCREW
854	392884		BRACKET, Stopswitch

---

**Footnotes:**

Use 392918 Panel Kit



Subject		Ref. No. 309	Ref. No. 510	Ref. No. 801	Ref. No. 544	Ref. No. 803	Ref. No. 802	Ref. No. 311	Ref. No. 310
Starter Motor Mfr. and Motor Model Number		Motor and Drive Assy.	Drive Assembly	End Cap Assy. Drive	Armature Assembly	Housing Assembly	End Cap Assy. Commutator*	Brush Assembly	Thru Bolt Assembly
Briggs & Stratton	Housing Length								
†12V	3-1/16"	392749	391461**	392061	392747	392744	390846*	391705	391706
12V	3-21/32"	394805	391461**	394856	392747	393825	395537	395538	94003

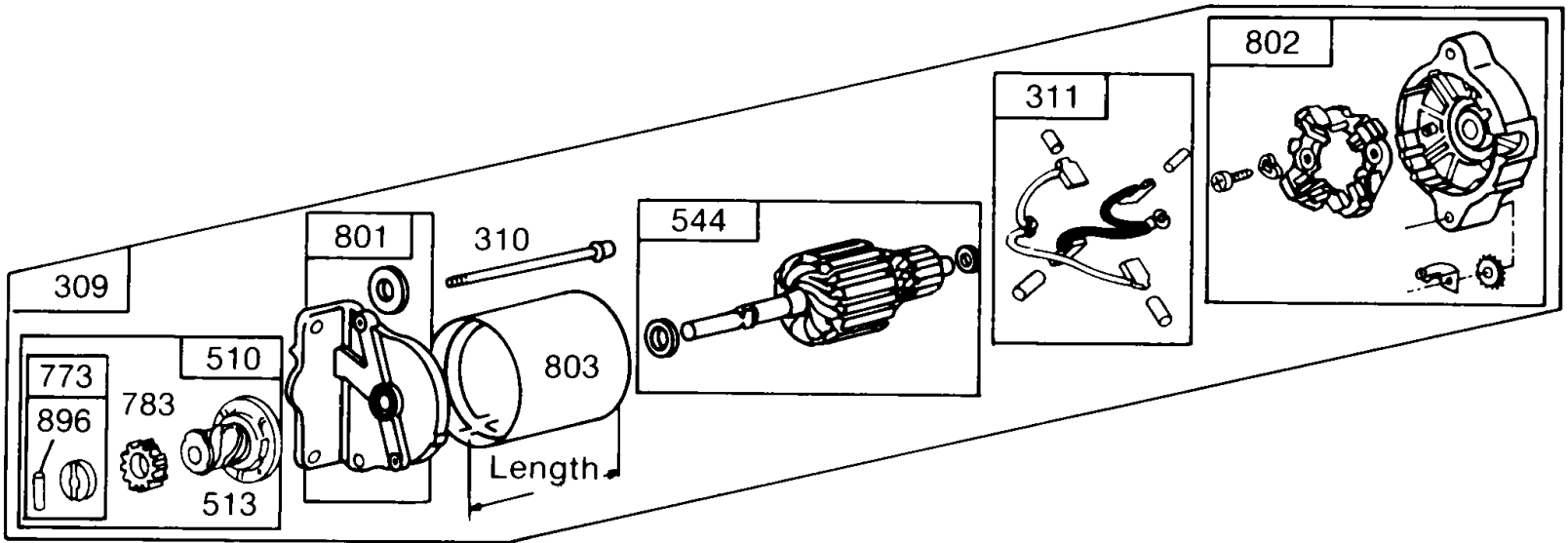
\*Includes Brush Set

\*\*Includes #391135 Clutch Assembly (Ref. No. 513)  
 #280104 Gear (Ref. No. 783)  
 #391462 Retainer and Pin (Ref. No. 773)  
 #93754 Roll Pin (Ref. No. 896)

NOTE: **Style Identification** of 12 Volt Motors. New Style: Thru Bolt Heads are Located on the Brush End Head Side.  
 †Old Style: Brush End Head is 13/16" Wide.

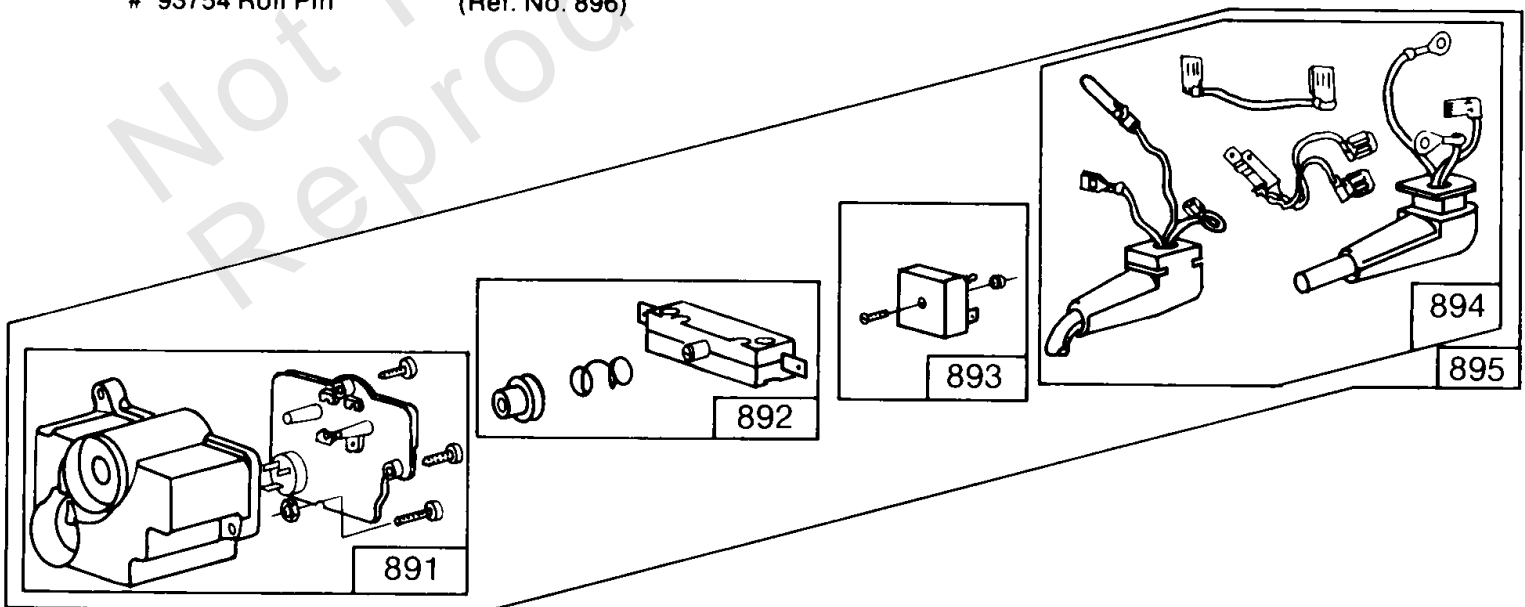
## Electric Starter and Chart

REF NO	PART NO	QTY	DESCRIPTION
309	392749		MOTOR, Starter -(3 1/16 Housing) Old Style: Brush End Head is 13/16 Wide.
309	393851		MOTOR, Starter -(3 1/2 Housing) (Briggs & Stratton 110V)
309	394805		MOTOR, Starter -(3 1/16 Housing)
310	391706		SCREW -(3 1/16 Housing) Old Style: Brush End Head is 13/16 Wide.
310	93934		SCREW -(3 1/2 Housing)
310	94003		SCREW -(3 5/8 Housing)
311	391705		SET, Brush -(3 1/16 Housing) Old Style: Brush End Head is 13/16 Wide.
311	393612		SET, Brush -(3 1/2 Housing) (110V)
311	395538		SET, Brush -(3-5/8 or 4 3/8 Housing)
510	391461		DRIVE, Starter -(3 1/2 Housing) Old Style: Brush End Head is 13/16 Wide. Includes #391135 Clutch Assembly (Ref. No. 513) #280104 Gear (Ref. No. 783) #391462 Retainer and Pin (Ref. No. 773) #93754 Roll Pin (Ref. No. 896)
510	391461		DRIVE, Starter -(3 1/2 Housing) Includes #391135 Clutch Assembly (Ref. No. 513) #280104 Gear (Ref. No. 783) #391462 Retainer and Pin (Ref. No. 773) #93754 Roll Pin (Ref. No. 896)
544	392747		ARMATURE, Starter -(3 21/32 Housing) Old Style: Brush End Head is 13/16 Wide.
544	392747		ARMATURE, Starter -(3 21/32 Housing)
544	393607		ARMATURE, Starter -(3 1/2 Housing) (110V)
801	392061		CAP, Drive -Old Style: Brush End Head is 13/16 Wide. ( 3-1/16 or 3-3/4 Housing)
801	393228		CAP, End -(3 1/2 Housing) (Briggs & Stratton 110V)
801	394856		CAP, Drive
802	390846		CAP, End -(3 1/16 Housing) Old Style: Brush End Head is 13/16 Wide. Includes Brush Set
802	393833		CAP, End -(3 1/2 Housing) (Briggs & Stratton 110V)
802	395537		CAP, End -(3 5/8 Housing) Includes Brush Set
803	392744		HOUSING, Starter -(3 1/16 Housing) Old Style: Brush End Head is 13/16 Wide.
803	393433		HOUSING, Starter -(3 1/2 Housing) (Briggs & Stratton 110V)
803	393825		HOUSING, Starter -(3 5/8 Housing)



Subject	Ref. No. 309 and 895	Ref. No. 510	Ref. No. 801	Ref. No. 310	Ref. No. 803	Ref. No. 544	Ref. No. 311	Ref. No. 802	
Manufacturer	Motor and Drive Assembly	Drive Assembly	Drive End Cap Assembly	Thru Bolt Assembly	Housing Assembly	Armature Assembly	Brush Assembly	Comm. End Cap Assembly	
B&S	Housing Length								
120 V	3-1/2"	393851	391461*	393228	93934	393433	393607	393612	393833

\*Includes #391135 Clutch Assembly (Ref. No. 513)  
 #280104 Gear (Ref. No. 783)  
 #391462 Retainer and Pin (Ref. No. 773)  
 # 93754 Roll Pin (Ref. No. 896)

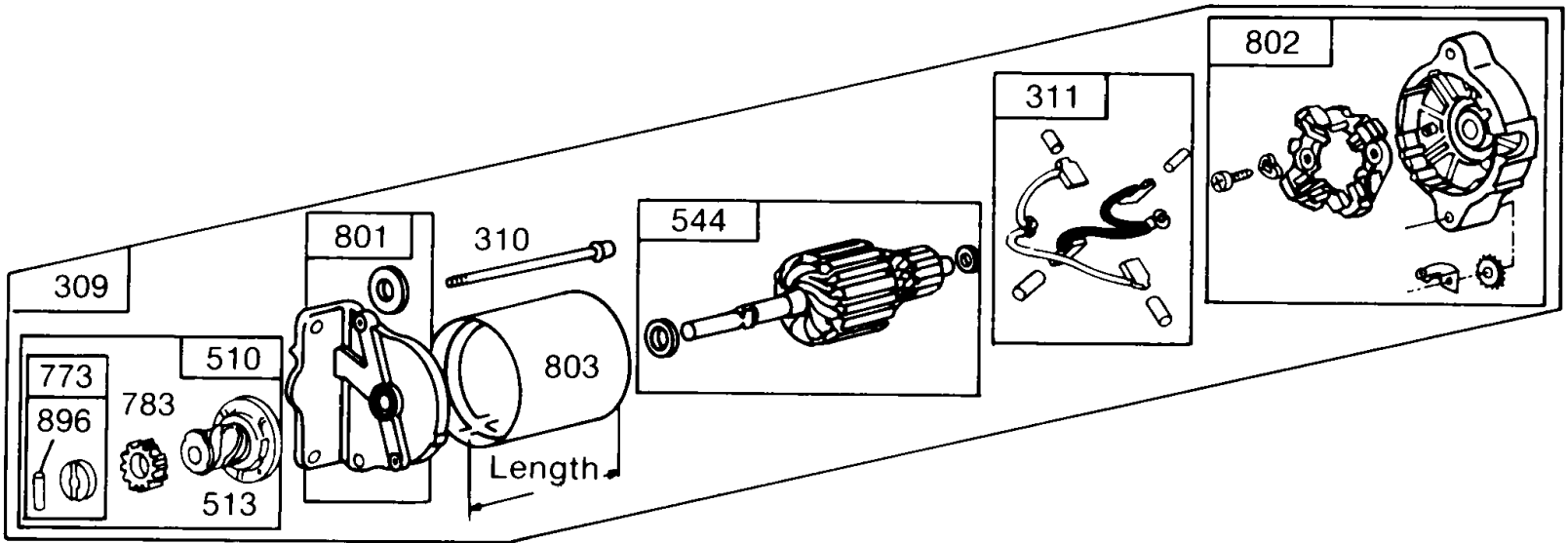


Subject	Ref. No. 891	Ref. No. 892	Ref. No. 893	Ref. No. 894	Ref. No. 895
Manufacturer	Housing Group	Switch Group	Rectifier Group	Lead Group	Control Group
Briggs & Stratton					
120 V	393705	393708	393707	393706	393486



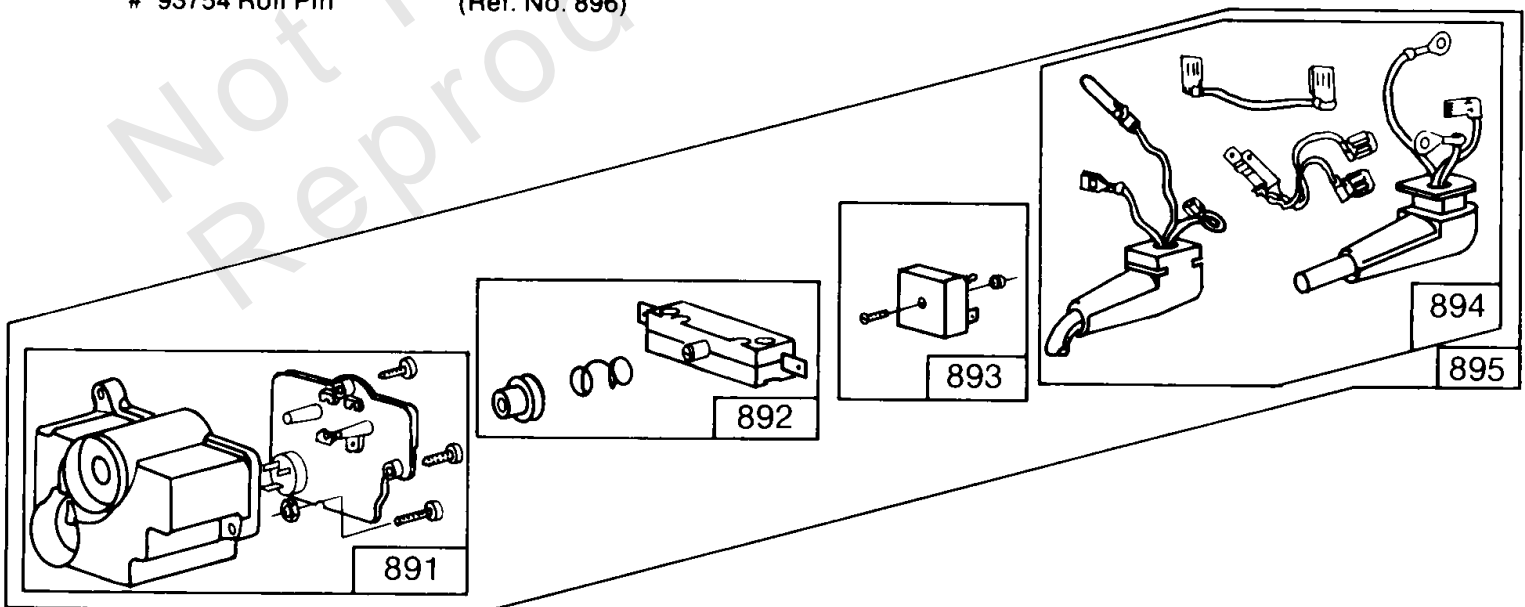
## Electric Starter and Starter

REF NO	PART NO	QTY	DESCRIPTION
309	392749		MOTOR, Starter -(3 1/16 Housing) Old Style: Brush End Head is 13/16 Wide.
309	393851		MOTOR, Starter -(3 1/2 Housing) (Briggs & Stratton 110V)
309	394805		MOTOR, Starter -(3 1/16 Housing)
310	391706		SCREW -(3 1/16 Housing) Old Style: Brush End Head is 13/16 Wide.
310	93934		SCREW -(3 1/2 Housing)
310	94003		SCREW -(3 5/8 Housing)
311	391705		SET, Brush -(3 1/16 Housing) Old Style: Brush End Head is 13/16 Wide.
311	393612		SET, Brush -(3 1/2 Housing) (110V)
311	395538		SET, Brush -(3-5/8 or 4 3/8 Housing)
510	391461		DRIVE, Starter -(3 1/2 Housing) Old Style: Brush End Head is 13/16 Wide. Includes #391135 Clutch Assembly (Ref. No. 513) #280104 Gear (Ref. No. 783) #391462 Retainer and Pin (Ref. No. 773) #93754 Roll Pin (Ref. No. 896)
510	391461		DRIVE, Starter -(3 1/2 Housing) Includes #391135 Clutch Assembly (Ref. No. 513) #280104 Gear (Ref. No. 783) #391462 Retainer and Pin (Ref. No. 773) #93754 Roll Pin (Ref. No. 896)
544	392747		ARMATURE, Starter -(3 21/32 Housing) Old Style: Brush End Head is 13/16 Wide.
544	392747		ARMATURE, Starter -(3 21/32 Housing)
544	393607		ARMATURE, Starter -(3 1/2 Housing) (110V)
735	390966		CORD, Starter -(Includes Adaptor Plug)
801	392061		CAP, Drive -Old Style: Brush End Head is 13/16 Wide. ( 3-1/16 or 3-3/4 Housing)
801	393228		CAP, End -(3 1/2 Housing) (Briggs & Stratton 110V)
801	394856		CAP, Drive
802	390846		CAP, End -(3 1/16 Housing) Old Style: Brush End Head is 13/16 Wide. Includes Brush Set
802	393833		CAP, End -(3 1/2 Housing) (Briggs & Stratton 110V)
802	395537		CAP, End -(3 5/8 Housing) Includes Brush Set
803	392744		HOUSING, Starter -(3 1/16 Housing) Old Style: Brush End Head is 13/16 Wide.
803	393433		HOUSING, Starter -(3 1/2 Housing) (Briggs & Stratton 110V)
803	393825		HOUSING, Starter -(3 5/8 Housing)
891	393705		HOUSING, Switch
892	393708		SWITCH, Starting -(Briggs & Stratton 110V)
893	393707		RECTIFIER -(Briggs & Stratton 110V)
894	393706		HARNESS, Wiring -(Briggs & Stratton 110V)
895	393486		SWITCH, Starting -(Briggs & Stratton 120V)



Subject		Ref. No. 309 and 895	Ref. No. 510	Ref. No. 801	Ref. No. 310	Ref. No. 803	Ref. No. 544	Ref. No. 311	Ref. No. 802
Manufacturer		Motor and Drive Assembly	Drive Assembly	Drive End Cap Assembly	Thru Bolt Assembly	Housing Assembly	Armature Assembly	Brush Assembly	Comm. End Cap Assembly
B&S	Housing Length								
120 V	3-1/2"	393851	391461*	393228	93934	393433	393607	393612	393833

\*Includes #391135 Clutch Assembly (Ref. No. 513)  
 #280104 Gear (Ref. No. 783)  
 #391462 Retainer and Pin (Ref. No. 773)  
 # 93754 Roll Pin (Ref. No. 896)



Subject	Ref. No. 891	Ref. No. 892	Ref. No. 893	Ref. No. 894	Ref. No. 895
Manufacturer	Housing Group	Switch Group	Rectifier Group	Lead Group	Control Group
Briggs & Stratton					
120 V	393705	393708	393707	393706	393486





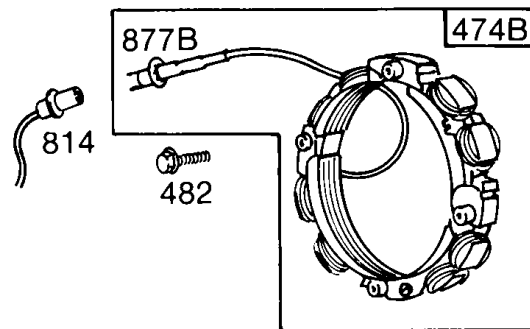
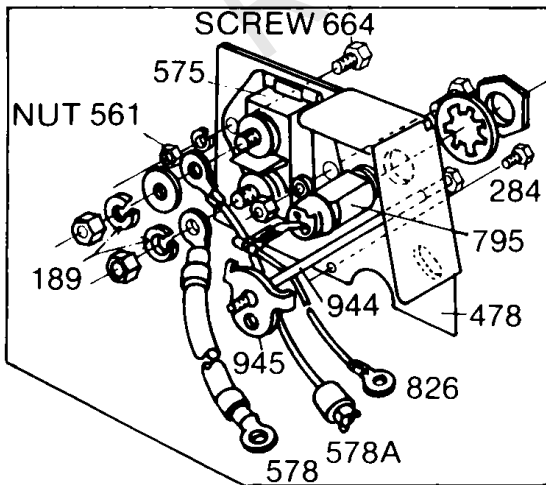
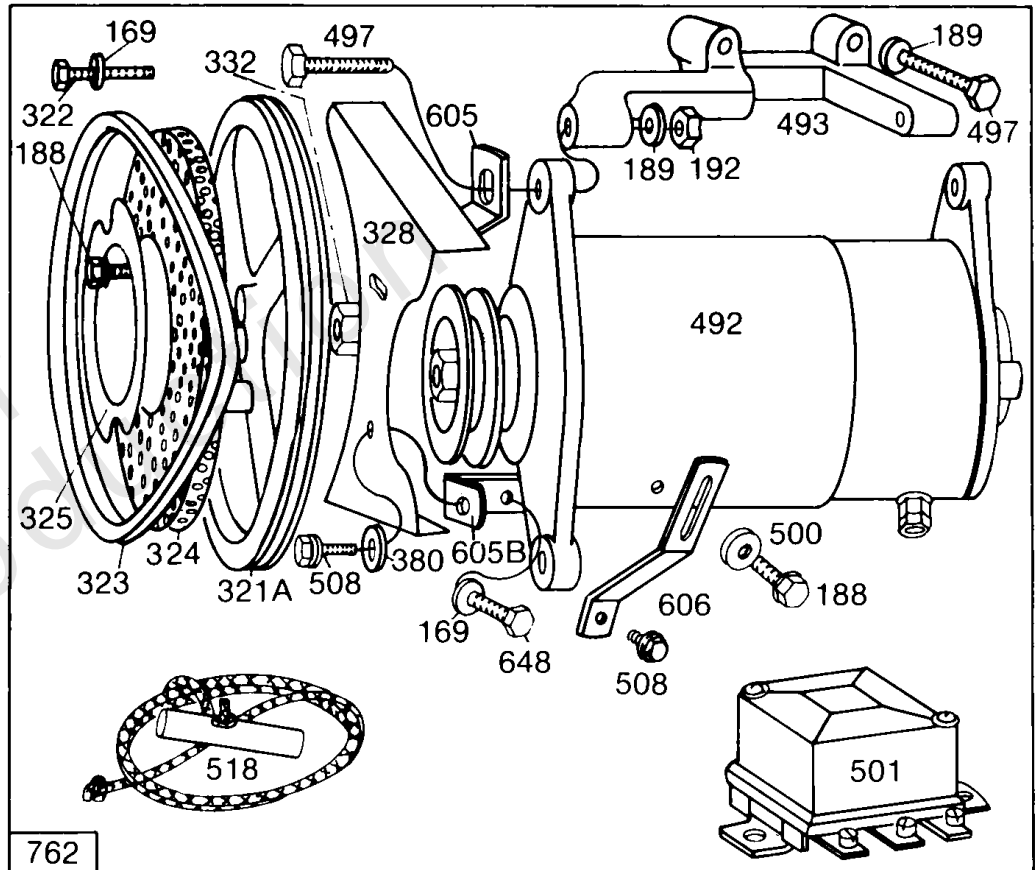
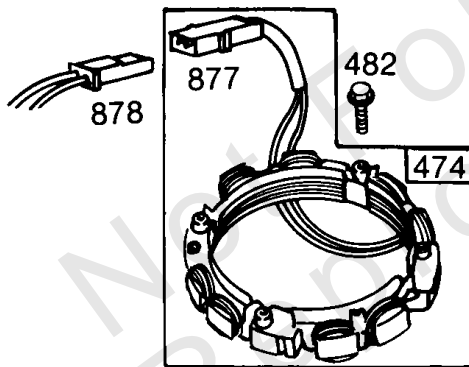
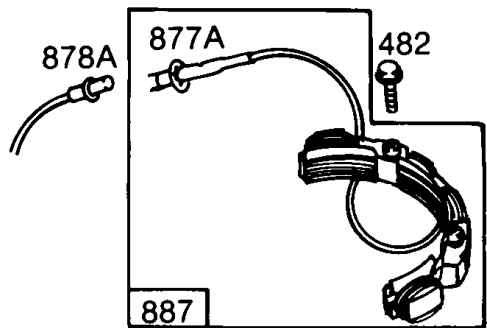
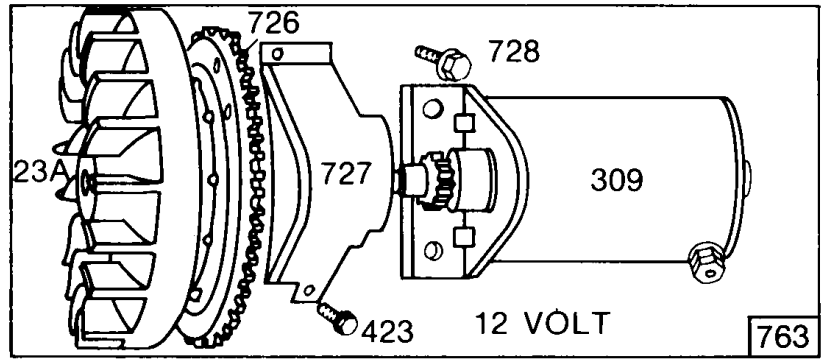
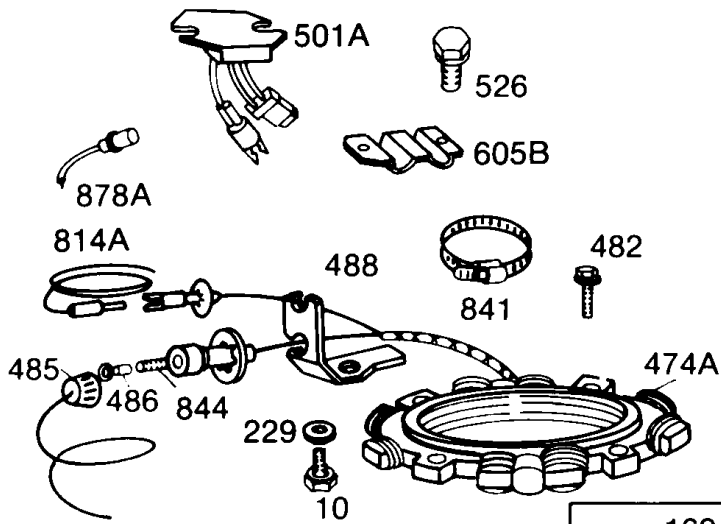
**Electric Starter and Starter**

---

REF NO	PART NO	QTY	DESCRIPTION
895	393851		MOTOR, Starter -(3 1/2 Housing) (Briggs & Stratton 110V)

---

Not For Reproduction

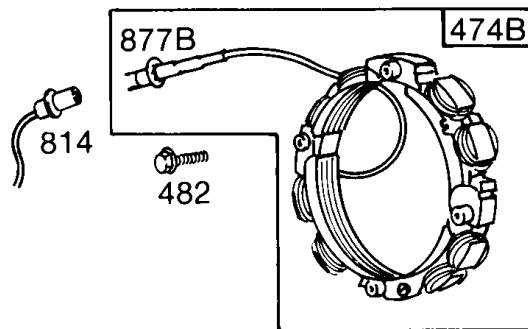
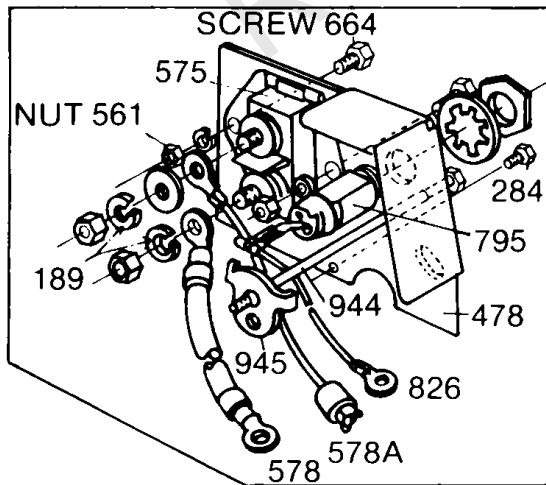
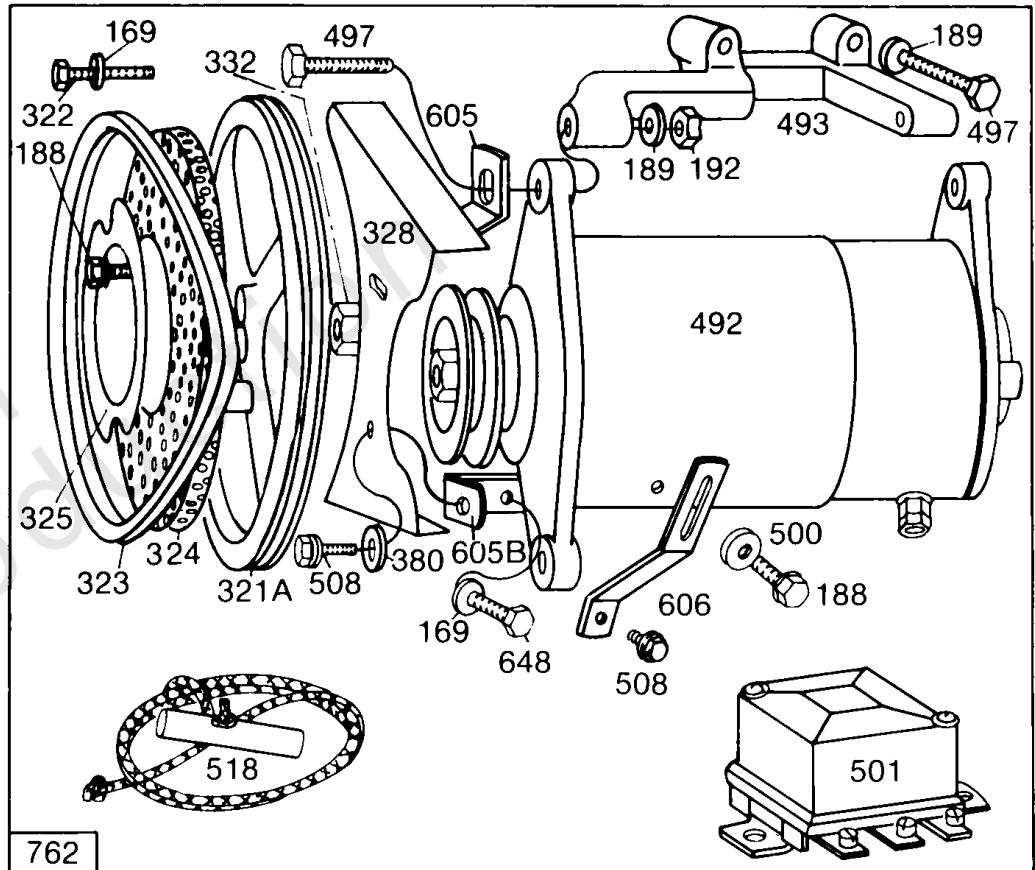
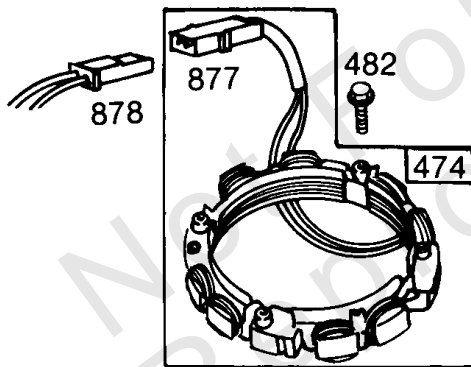
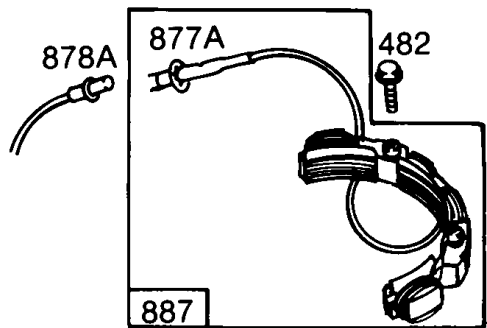
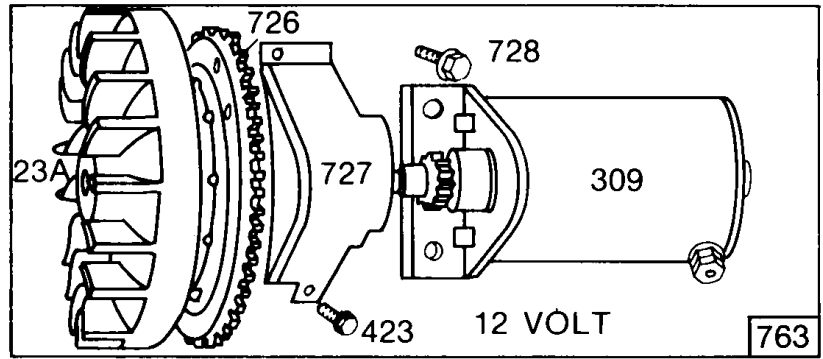
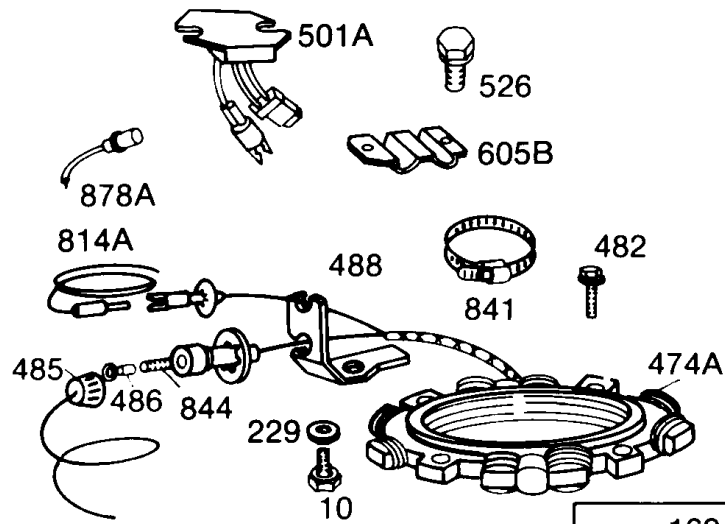


## Electric Starters

REF NO	PART NO	QTY	DESCRIPTION
10	93394		SCREW
23A	392034		FLYWHEEL -(Aluminum Ring Gear) For use only on electric starter engines WITHOUT ALTERNATOR (Includes aluminum ring gear). For use only with starter motors with Plastic Drive Gear.
23A	391983		FLYWHEEL -(Engines With Alternator) For use on engines WITH ALTERNATOR (Includes aluminum ring gear). For use only with starter motors with Plastic Drive Gear.
169	90832		SCREW -(Blower Housing)
188	93535		SCREW -(5/16-18 X 3/4)
189	90366		WASHER
192	91397		NUT -(5/16-18)
229	220680		WASHER
284	93572		SCREW -(10-32 X 3/8)
309	392749		MOTOR, Starter -(3 1/16 Housing) Old Style: Brush End Head is 13/16 Wide.
309	393851		MOTOR, Starter -(3 1/2 Housing) (Briggs & Stratton 110V)
309	394805		MOTOR, Starter -(3 1/16 Housing)
321A	210899		PULLEY, Starter
322	90931		SCREW
323	67708		BELT, Vee
324	221067		SCREEN, Rotating
325	299307		PULLEY, Rope Starter -(With Screen)
328	221447		GUARD, Belt
332	92284		NUT -(Flywheel)
380	91324		WASHER
423	93410		SCREW
423	93984		SCREW
474B	392595		ALTERNATOR -(Tri Circuit) (9 Amp Regulated)
474A	393800		ALTERNATOR -(Dual Circuit With Fuse)
474	393474		ALTERNATOR -(Dual Circuit)
478	222751		KIT, Panel -(Starter) -Used Before Code Date 81102100
478	395410		KIT, Panel
482	93621		SCREW -(Tapping)
485	390888		CAP, Wire/Fuse
486	391507		RECTIFIER
488	222211		BRACKET, Mounting
492	296028		MOTOR, Starter -(12v Delco-Remy #1101695 & Pulley #1949358)
493	211594		BRACKET, Starter Motor

### Footnotes:

Use 392918 Panel Kit

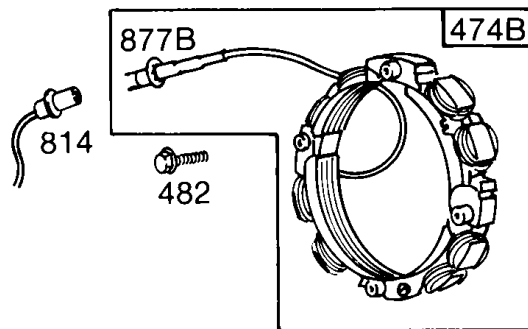
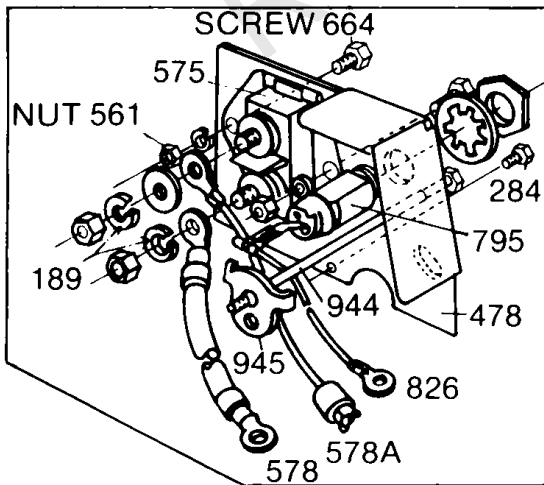
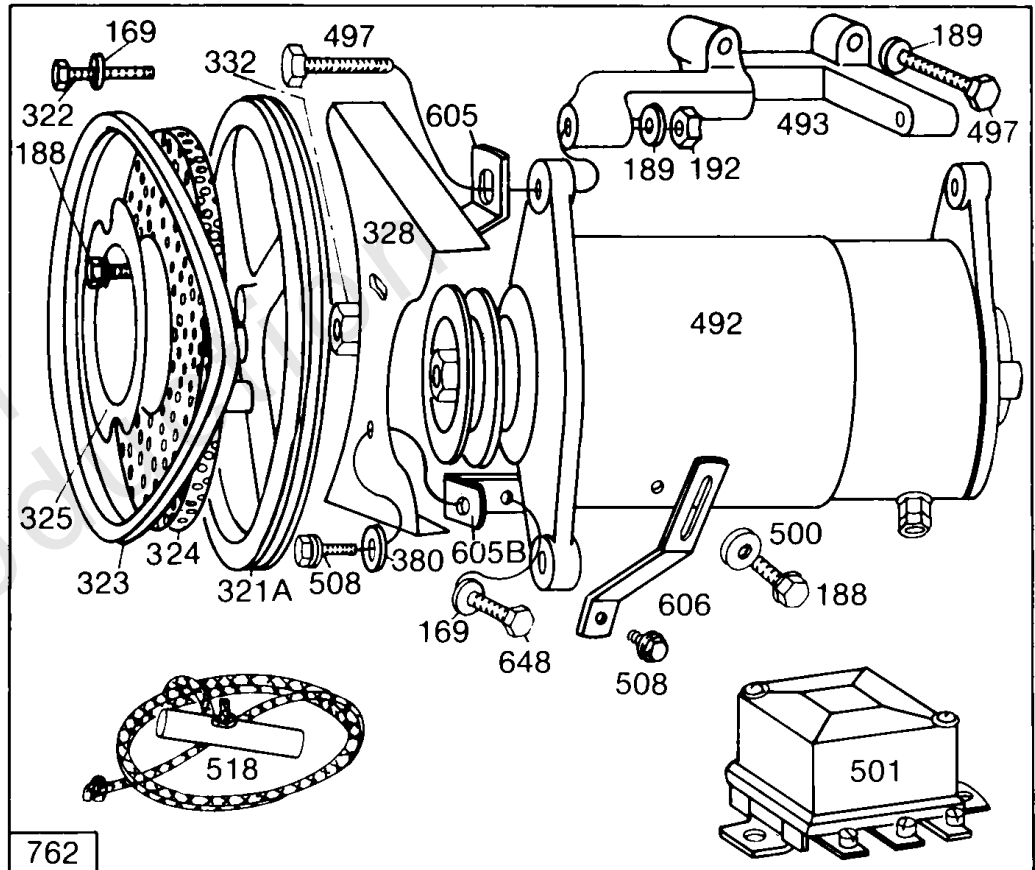
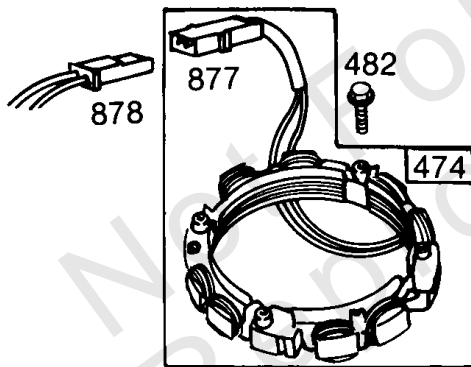
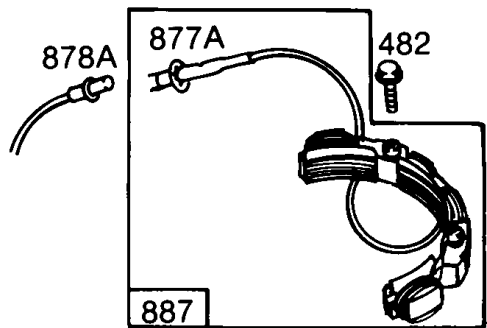
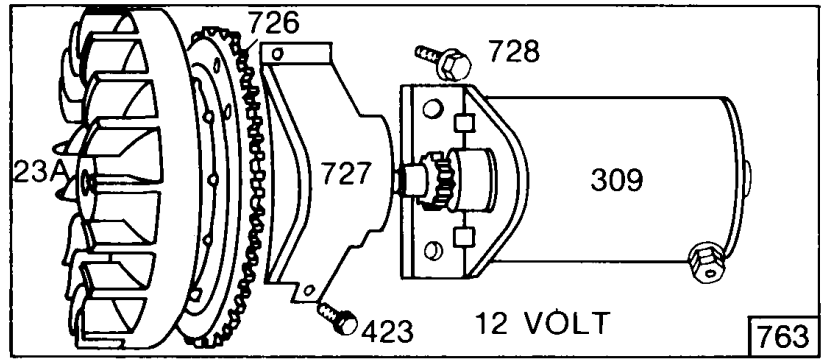
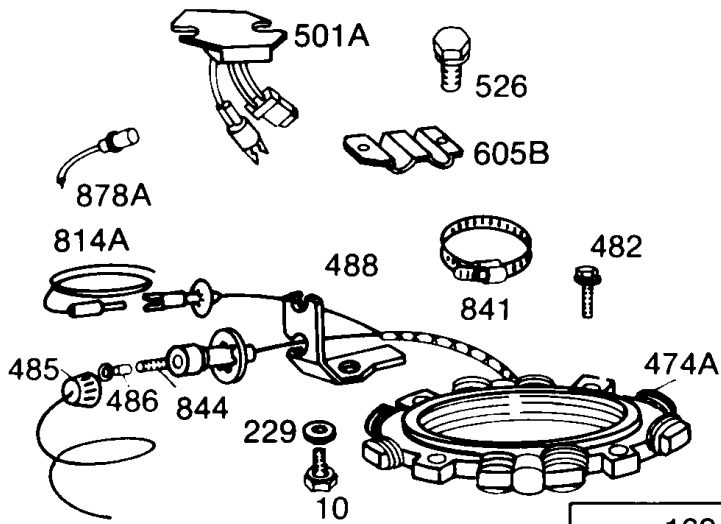


## Electric Starters

REF NO	PART NO	QTY	DESCRIPTION
497	91203		SCREW -(5/16-18 X 1-3/4)
500	91325		WASHER
501A	295924		REGULATOR -(Flat Mount, Delco-remy)
501	393374		REGULATOR -(10 Amp)
508	93294		SCREW -(5/8)
518	69932		GRIP, Starter Rope
526	93343		SCREW -(Control Panel)
561	92278		NUT -(Starting Switch)
575	299139		SWITCH, Starting
578A	393109		WIRE ASSEMBLY -(Starter Switch To Alternator)
578	392683		CABLE, Starter
605B	297171		BRACKET, Support -(Lower)
605	222934		BRACKET, Mounting
606	221443		STRAP, Adjusting
648	91439		SCREW
664	93415		SCREW -(1/4-20 X 3/4)
726	392134		GEAR, Ring
727	221940		GUARD, Flywheel -Uses: 93623 Screw (2)
727	391629		COVER, Starter Drive -(Motor 392749)
727	395405		COVER, Starter Drive
728	93523		SCREW -(5/16-18 X 11/16)
762	297335		KIT, Electric Starter -(12 Volt) (Low Position)
763	391604		KIT, Electric Starter -(12 Volt Gear Drive)
795	392697		SWITCH, Toggle -(Toggle Switch) Uses: 93888 Nut-Hex.
795	392833		SWITCH, Key
814A	390867		HARNESS, Alternator -(Ac Only)
814	392606		HARNESS, Alternator -(Tri Circuit)
826	392684		WIRE, Stop -(Starter Switch to Ground Wire Terminal)
841	393514		CLAMP
844	261269		SPRING, Diode
877B	393537		WIRE/CONNECTOR, Alternator -(Tri Circuit) (9 Amp)
877A	393814		WIRE/CONNECTOR, Alternator -(10 Amp Regulated)
877	393456		WIRE/CONNECTOR, Alternator
878A	393422		WIRE ASSEMBLY -(Dc Only)

### Footnotes:

Use 392918 Panel Kit



## Electric Starters

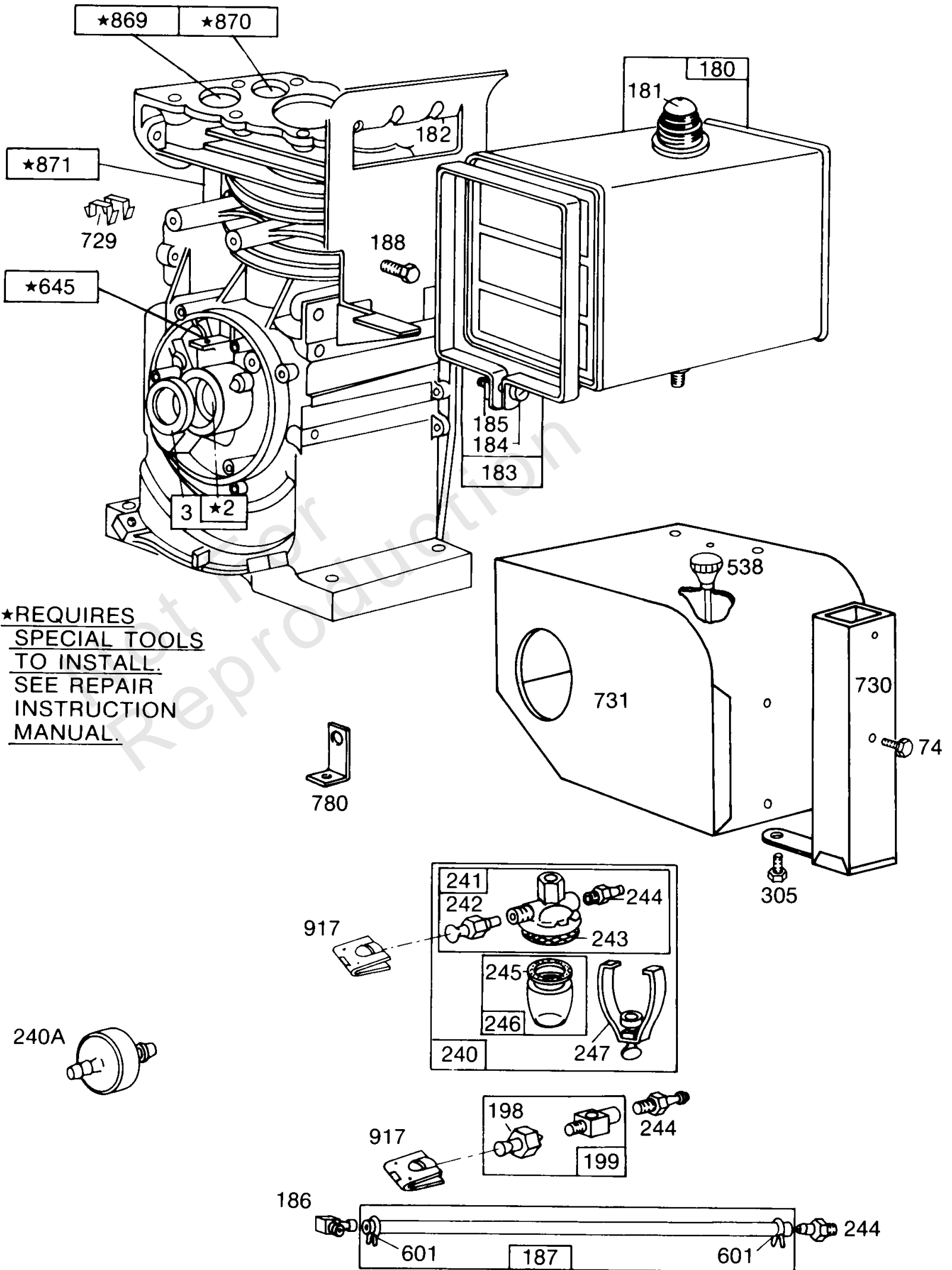
REF NO	PART NO	QTY	DESCRIPTION
878	393362		HARNES, Alternator -(Dual Circuit)
887	391529		ALTERNATOR -(DC Only)
944	94003		SCREW -(3 5/8 Housing)
945	223159		BRACKET, Starter Motor

Not For  
Reproduction

---

**Footnotes:**

Use 392918 Panel Kit



**★REQUIRES  
SPECIAL TOOLS  
TO INSTALL.  
SEE REPAIR  
INSTRUCTION  
MANUAL.**

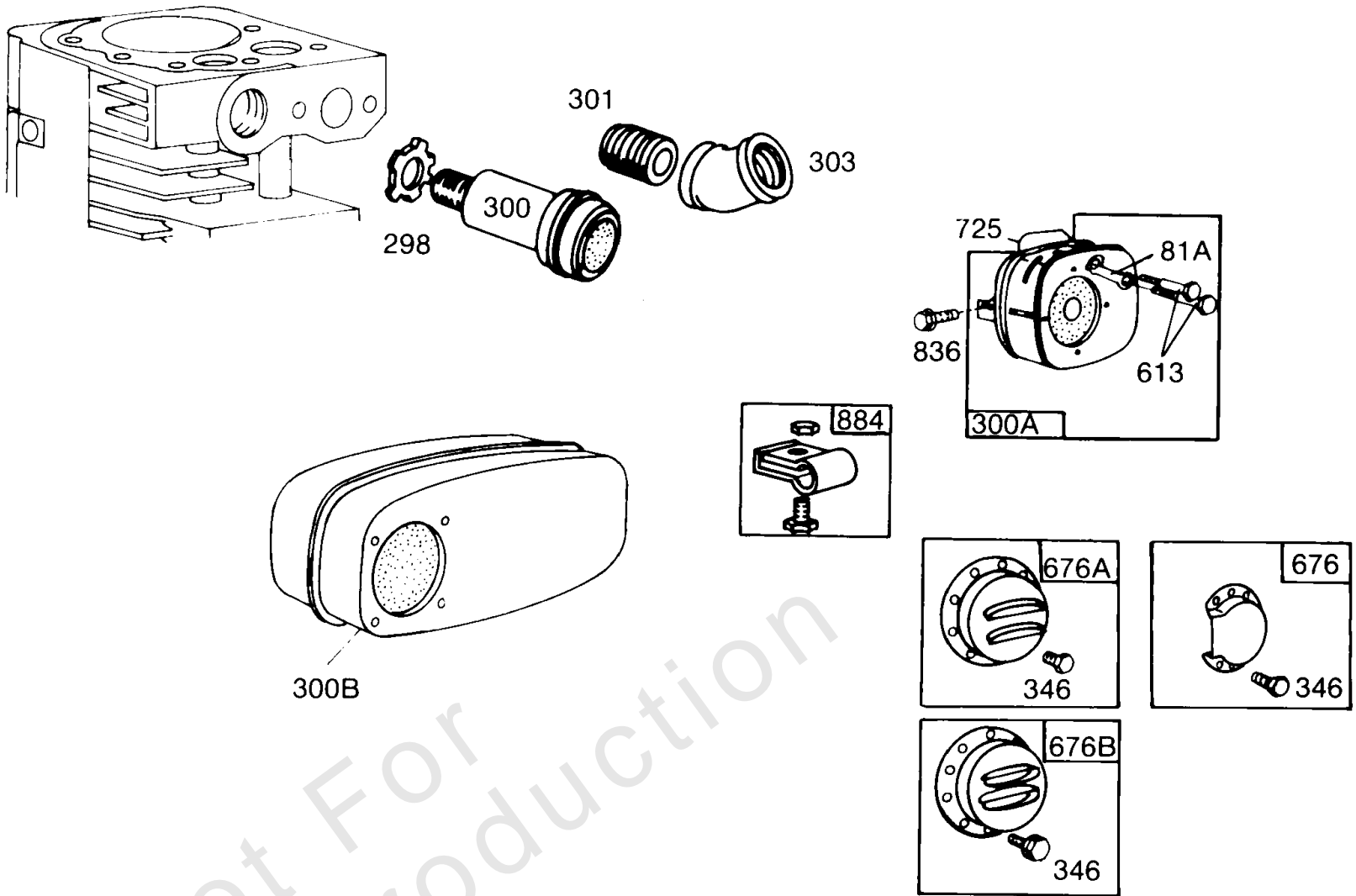


## Fuel Tank,Sno-Gard,Primer

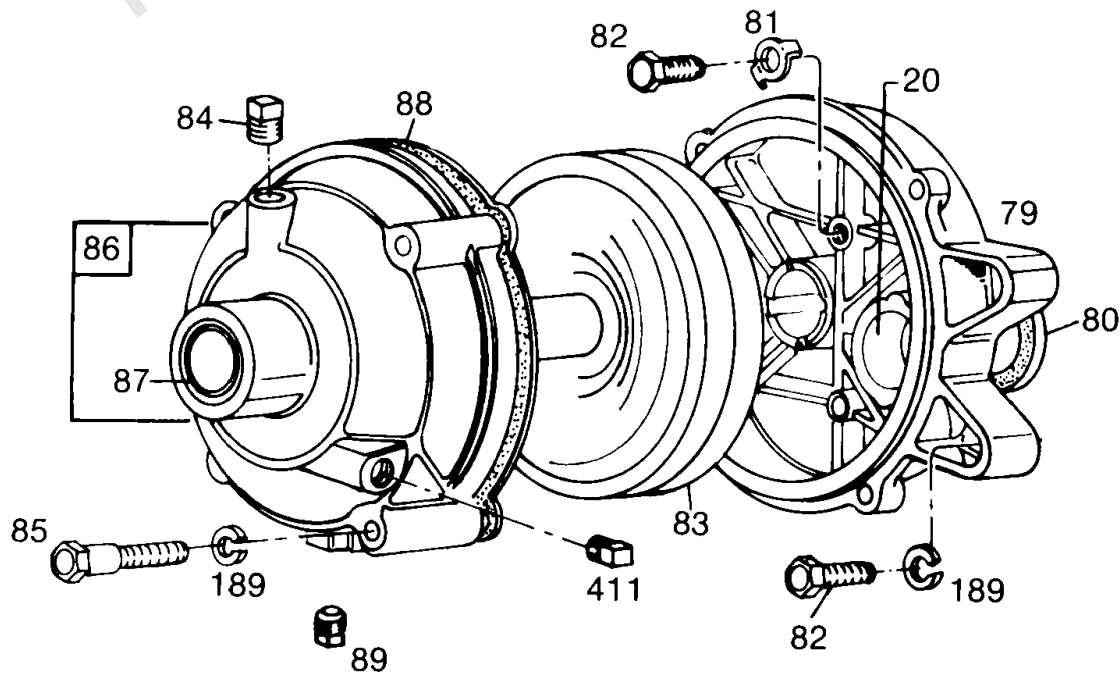
REF NO	PART NO	QTY	DESCRIPTION
2	295962		KIT, Bushing/Seal
3	294606		SEAL, Oil
74	93042		SCREW
74	93705		SCREW -(8-32 X 3/8)
180	290816		TANK, Fuel -(4 Quart)
181	392301		CAP, Fuel Tank
182	222758		BRACKET, Fuel Tank
183	291367		STRAP, Fuel Tank -(4 Quart)
184	91257		SCREW -(1/4-20 X 1-1/2)
185	90970		NUT -(1/4-20)
186	67218		CONNECTOR, Hose
187	296004		LINE, Fuel -(Cut To Required Length)
188	93535		SCREW -(5/16-18 X 3/4)
198	293934		VALVE, Fuel Shut Off
199	297563		OUTLET, Tank
240A	298090		FILTER, Fuel
240A	394358		FILTER, Fuel -(Fuel Pump)
240	393169		STRAINER, Fuel
241	296005		COVER, Fuel Filter
242	295913		VALVE, Fuel Shut Off
243	22547		STRAINER, Fuel
244	230318		CONNECTOR, Hose
245	68477		GASKET, Fuel Bowl -Included in Gasket Set-Part No. 299577
246	298683		BOWL, Fuel Filter
247	99665		YOKE, Bowl
305	93158		SCREW -(1/4-20 X 5/8)
538	390167		ROD, Governor Control
601	93053		CLAMP, Hose -(Green)
645	23513		BUSHING, Plunger -(Used only with Breaker Point Ignition)
729	221907		CLIP, Wire
730	299384		MANIFOLD, Intake
731	299391		HOOD, Snow
869	211661		SEAT, Valve -(Exhaust)
870	211661		SEAT, Valve -(Exhaust)
871	-----		No Nomenclature -231218 or 230655 See Repair Manual
917	223271		VALVE, Handle Shutoff

### Footnotes:

Use 392918 Panel Kit



Not For  
Reproduction



## Gear Case, Mufflers & Parts

REF NO	PART NO	QTY	DESCRIPTION
79	296179		CASE, Gear Reduction
80	27884		GASKET, Gear Cover/Housing
81A	222263		LOCK, Muffler Screw -(3/8 Diameter Bolt Holes)
81	220234		LOCK, Muffler Screw
82	92502		SCREW
83	291762		SHAFT, Auxiliary Drive
84	92617		SCREW -(Gear Case)
85	91386		SCREW -(2)
86	296053		COVER, Gear
87	391086		SEAL, Oil -(Magneto Side)
88	27328		GASKET, Gear Cover/Housing
89	91488		PLUG -(1/8)
189	90366		WASHER
298	261409		LOCKNUT -(Muffler and Elbow)
300A	391232		MUFFLER -Uses: 93606 Screw-Guard to Muffler
300A	391313		MUFFLER
300B	392101		MUFFLER -(Super Lo Tone)
300	393010		MUFFLER -(Round Lo Tone)
301	91245		ELBOW, Exhaust
303	91246		ELBOW, Exhaust -(45 Degree)
346	93705		SCREW -(8-32 X 3/8)
411	93448		PLUG, Oil Drain -(Flush) (1/4-18 NPTF) (Flush) (1/4 18 NPTF)
613	93704		SCREW -(Muffler)
725	221885		SHIELD, Heat
836	93559		SCREW -(Tank) (Fuel Tank)
884	393482		CLAMP, Muffler

### Footnotes:

Use 392918 Panel Kit

## Replacement Engine - US & Canada

REF NO	PART NO	QTY	DESCRIPTION
	20S2320036	1	Replacement Engine
	-----		Top No-Load Speed: 3600 -Trim: ALL
	-----		Service Note: If the replacement engine supersedes to or is a Model 200000 series engine, refer to the illustrations located after the conversion data for this model series.
	-----		Service Note: To make the crankshaft center line the same add 695154 spacer kit, other overall dimensions which differ, are shown in the illustrations.
	-----		Service Note: If after making a visual inspection and it is determined the Model 200000 series engine cannot be used because of equipment interference, the original engine should be repaired with a short block and/or individual parts.
	-----		Service Note: If necessary, to make the original engine crankshaft center line the same add 695154 spacer kit.
	-----		Service Note: For all Go-Karts use only a Model 136200 series engine as a replacement, regardless of the original Model.

Not For Reproduction

