

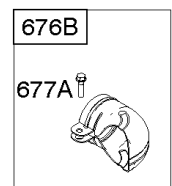
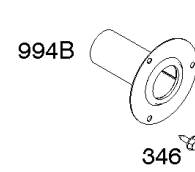
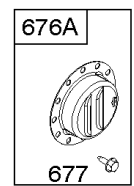
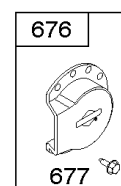
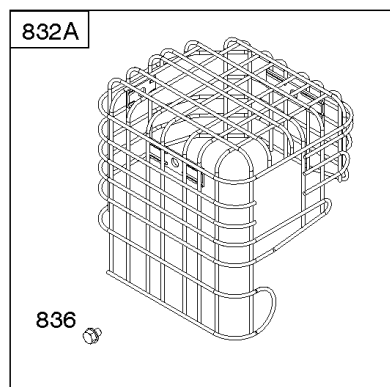
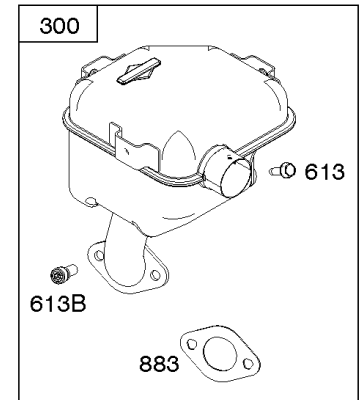
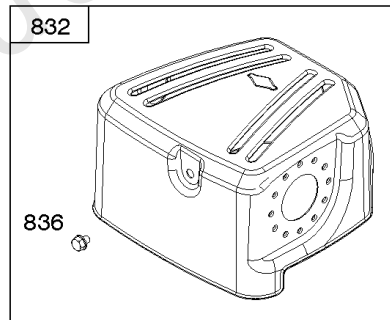
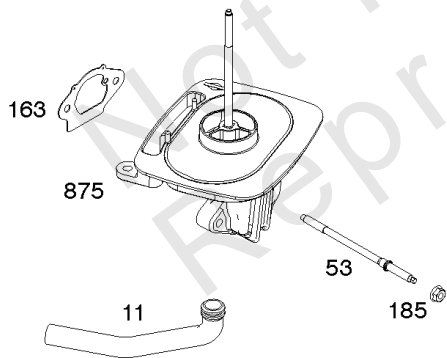
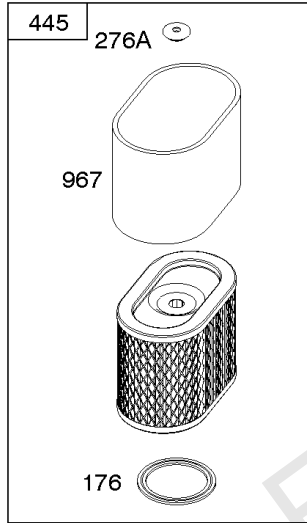
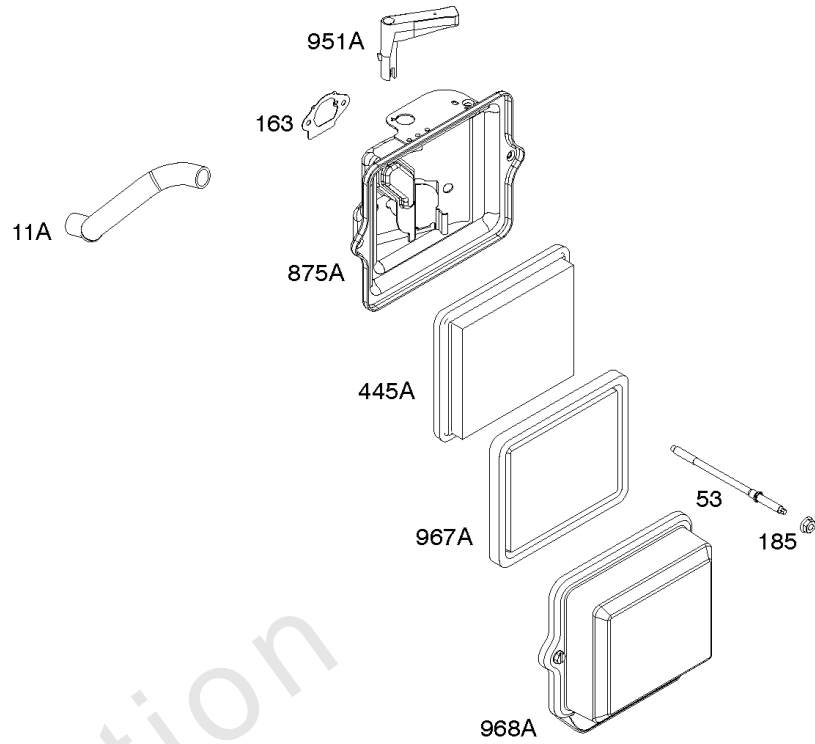
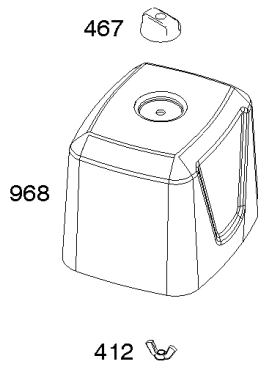


Parts Manual

Mfg. No: 19L232-0315-F1

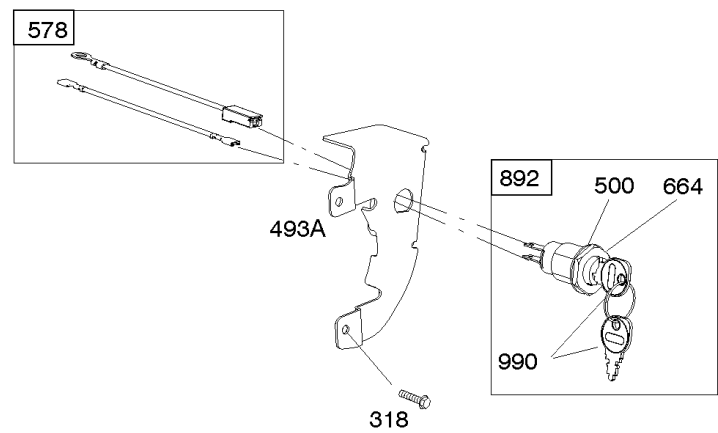
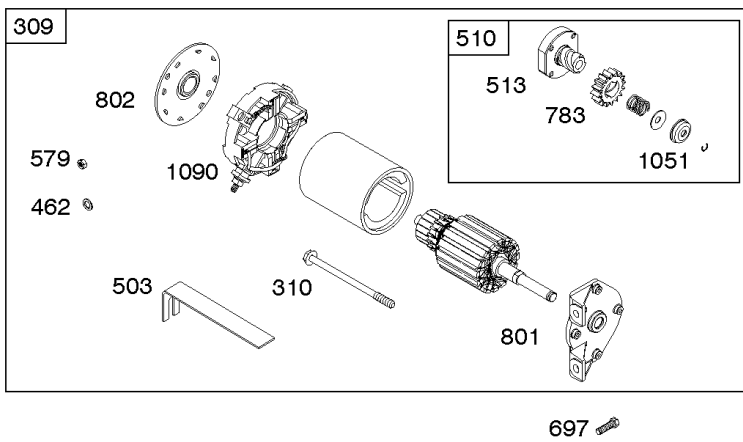
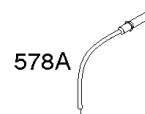
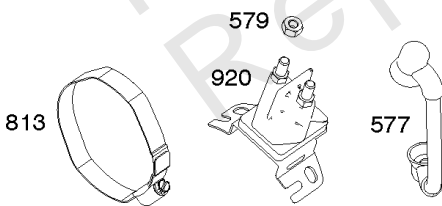
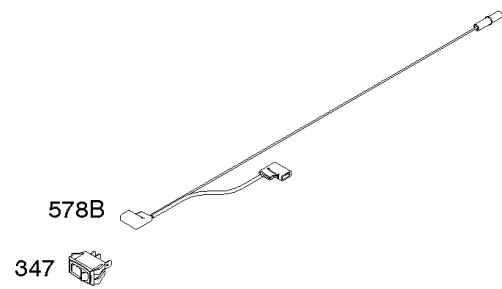
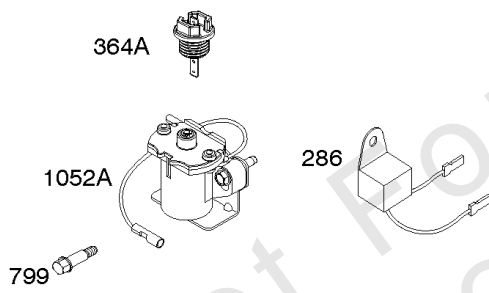
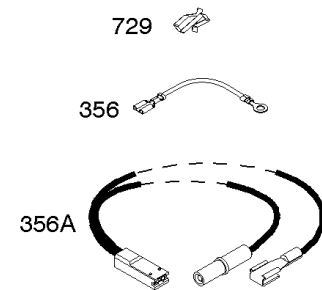
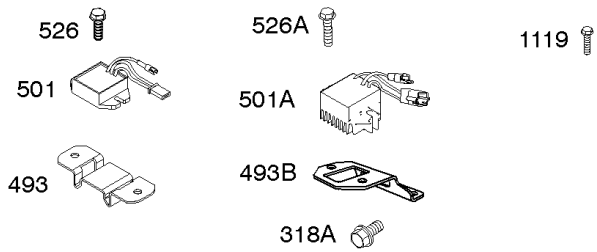
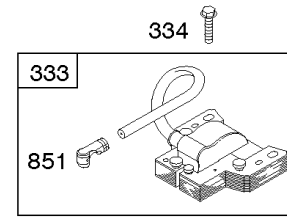
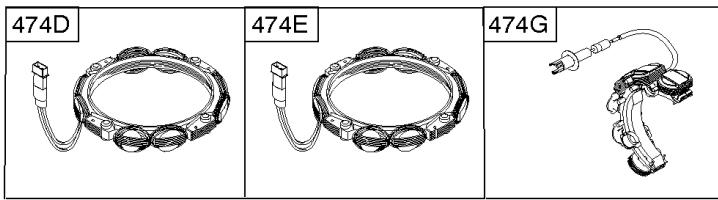
Model Components	Page
Air Cleaner, Exhaust.	4
Alternator, Ignition, Motor-Starter.	6
Blower Housing/Shrouds, Flywheel, Rewind Starter.	10
Camshaft, Crankshaft, Cylinder, Piston/Rings/Connecting Rod, Warning Label.	12
Carburetor Group.	14
Controls, Fuel Supply, Governor Spring.	20
Crankcase Cover, Gear Reduction.	24
Cylinder Head, Gasket Set - Engine, Gasket Set -Valve.	26
Replacement Engine - Europe, Middle East & Africa.	28
Replacement Engine - US & Canada.	29

Not For
Reproduction



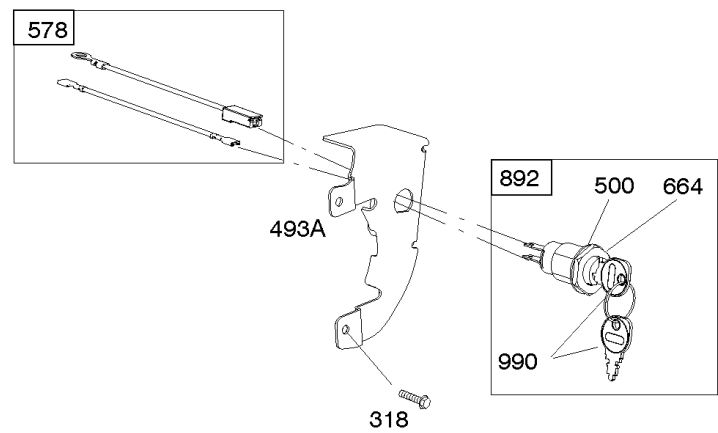
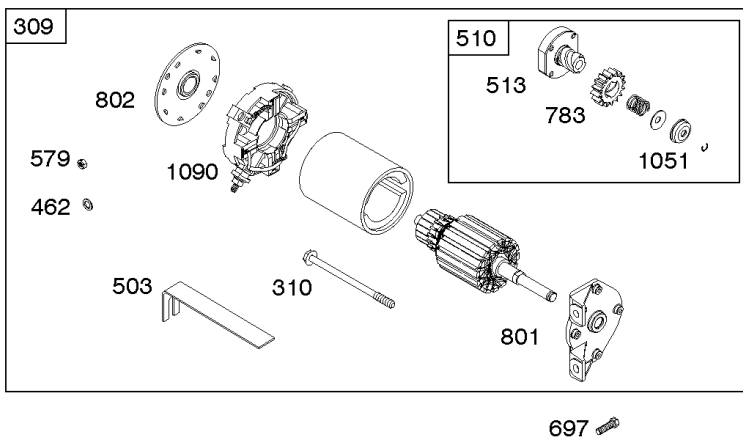
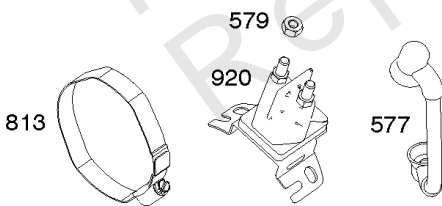
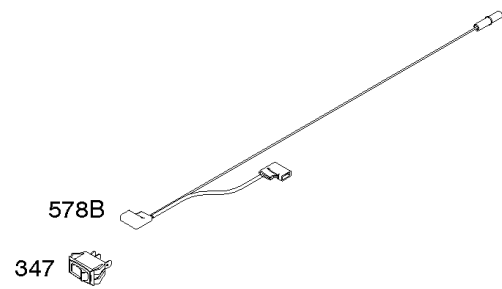
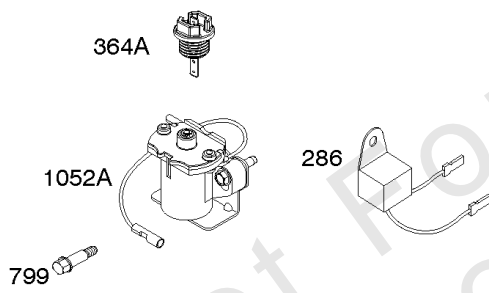
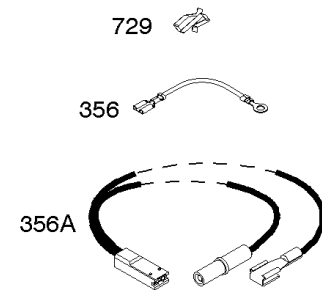
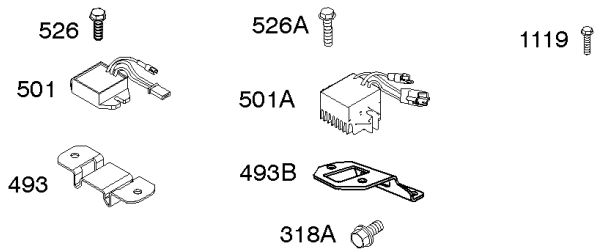
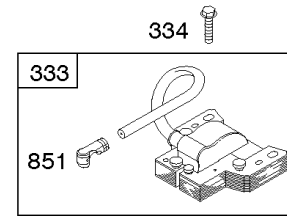
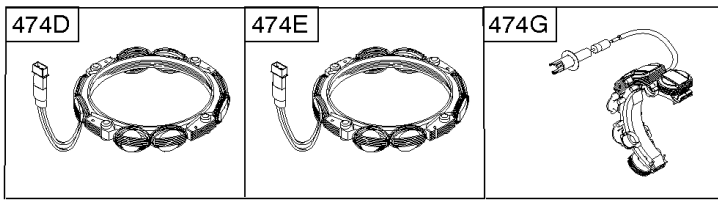
Air Cleaner, Exhaust

REF NO	PART NO	QTY	DESCRIPTION
11	798964		TUBE, Breather
53	798988		STUD -(Carburetor)
163	798962		GASKET, Air Cleaner
176	798965		SEAL, O-Ring -(Air Cleaner Base)
185	794838		NUT -(Air Cleaner Base)
276A	798505		WASHER, Sealing -(Air Cleaner)
300	798967		MUFFLER
346	794845		SCREW -(Spark Arrestor)
412	793443		NUT -(Air Cleaner Cover)
445	797032		FILTER, A/C Cartridge
467	691985		KNOB, Air Cleaner Cover
613	794846		SCREW -(Muffler)
613B	794844		SCREW -(Muffler)
676	796956		DEFLECTOR, Muffler
676A	795336		DEFLECTOR, Muffler -(Louvered)
676B	697816		DEFLECTOR, Muffler
677	794845		SCREW -(Muffler Deflector)
677A	699776		SCREW -(Muffler Deflector)
832	799041		GUARD, Muffler
836	593834		SCREW -(Muffler Guard)
875	798966		BASE, Air Cleaner
883	695398		GASKET, Exhaust
967	798795		FILTER, Pre Cleaner
968	798963		COVER, Air Cleaner
994B	796399		ARRESTOR, Spark



Alternator, Ignition, Motor-Starter

REF NO	PART NO	QTY	DESCRIPTION
286	594800		MODULE, Oil Sensor -Used After Code Date 15042700
286	798796		MODULE, Oil Sensor -Used Before Code Date 15052800
309	695479		MOTOR, Starter
310	690323		SCREW -(Starter Motor)
318	691693		SCREW -(Mounting Bracket)
318A	795026		SCREW -(Mounting Bracket)
333	591459		ARMATURE-MAGNETO -Used After Code Date 12042200
333	492341		ARMATURE, Magneto -Used Before Code Date 12042300
334	699477		SCREW -(Magneto Armature)
356	695630		WIRE, Stop
356A	799721		WIRE, Stop
364A	699947		TERMINAL, Oil Plug
462	691261		WASHER -(Starter Cable)
474D	695466		ALTERNATOR -(10 AMP)
474E	790320		ALTERNATOR -(20 Amp)
474G	695730		ALTERNATOR -(3 Amp. DC)
493	691177		BRACKET, Mounting
493A	798803		BRACKET, Mounting
493B	699048		BRACKET, Mounting
500	691086		WASHER -(Key Switch)
501	797375		REGULATOR -(10 and 16 Amp Regulated)
501A	790325		REGULATOR -(20 Amp)
503	691532		STRAP, Starter
510	693699		DRIVE, Starter
513	692024		CLUTCH, Drive
526	690297		SCREW -(Regulator) (10-16 Amp Regulated)
526A	690326		SCREW -(Regulator) (20 Amp)
577	690795		CABLE, Starter
578	798802		WIRE ASSEMBLY
578A	692306		WIRE ASSEMBLY
578B	590689		WIRE ASSEMBLY
579	691029		NUT -(Starter Cable)
664	691087		NUT -(Key Switch)
697	795026		SCREW -(Starter Motor) (Drive Cap)
729	799133		CLIP, Wire
783	693713		GEAR, Pinion
799	699691		SCREW -(Oil Sensor)



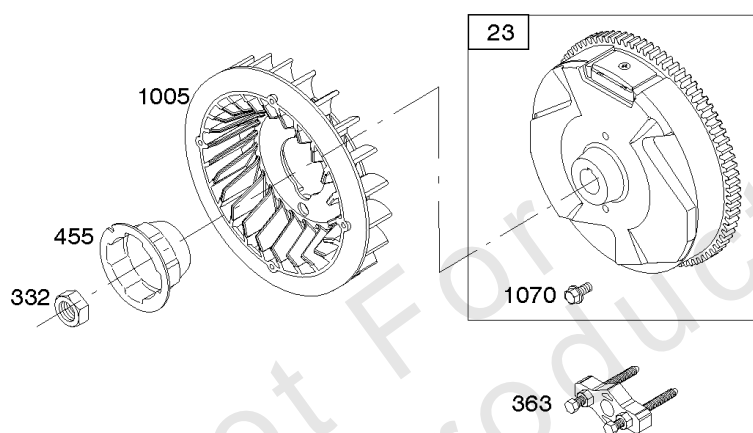
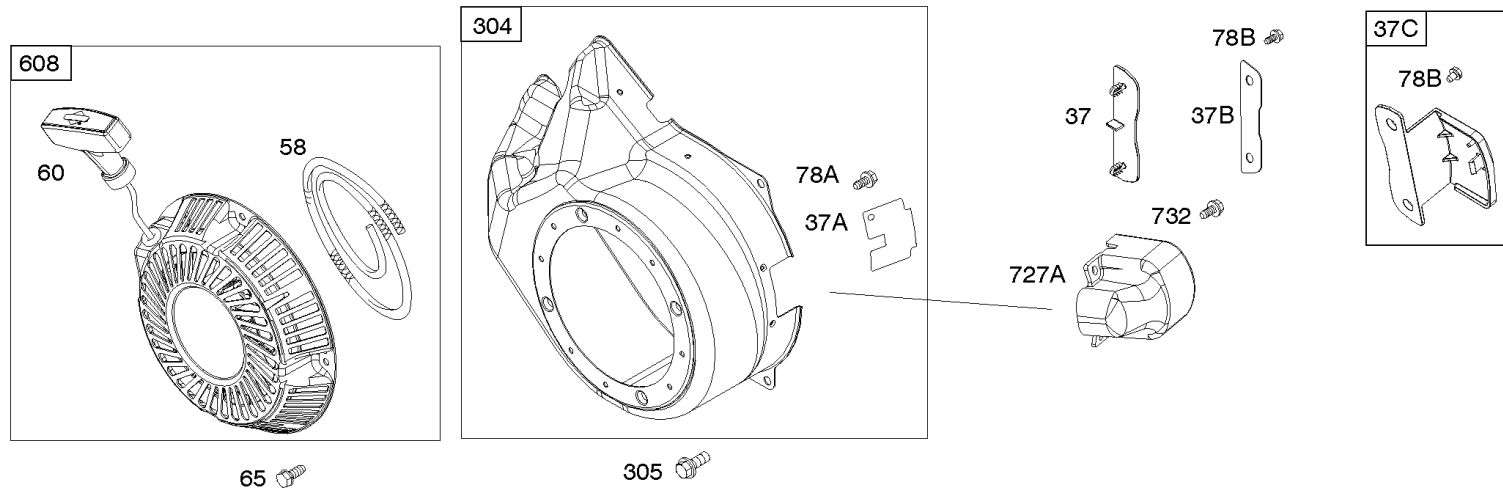
Alternator, Ignition, Motor-Starter

REF NO	PART NO	QTY	DESCRIPTION
801	694482		CAP-DRIVE
802	691286		CAP, End
813	690635		CLAMP
851	493880S		TERMINAL-SPARK PLUG
892	690646		SWITCH, Key
920	691656		SOLENOID, Starter
990	691959		SET, Key
1051	691265		RING, Retaining
1052A	794805		SENSOR, Oil -Used After Code Date 14093000
1052A	693805		SENSOR, Oil -Used Before Code Date 14100100
1090	691293		RETAINER, Brush
1119	699772		SCREW -(Alternator)

Not For Reproduction

Blower Housing/Shrouds, Flywheel, Rewind Starter

Mfg. No: 19L232-0315-F1



Not For
Reproduction

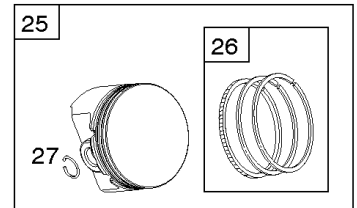
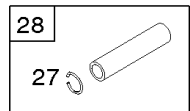
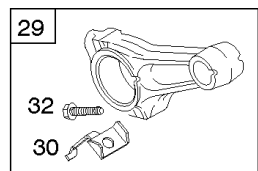
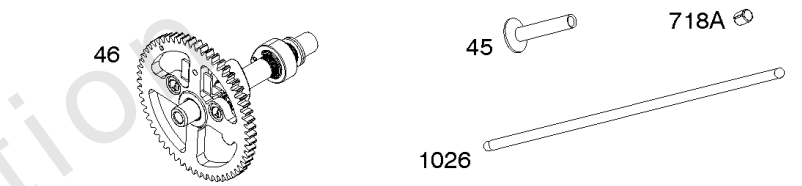
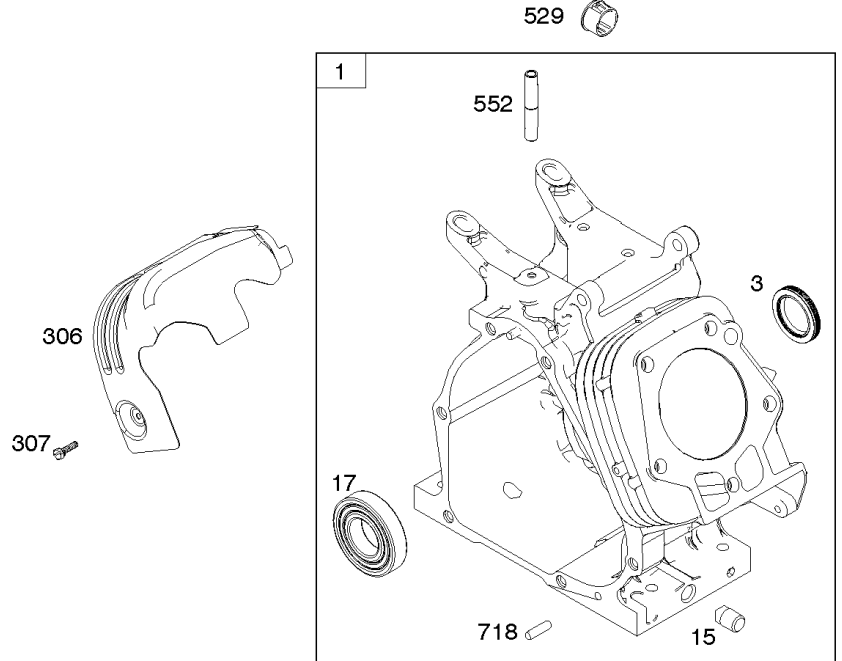
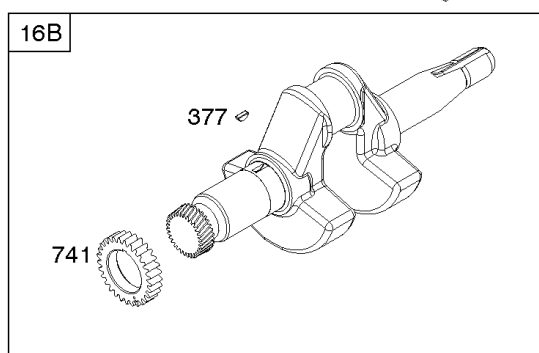
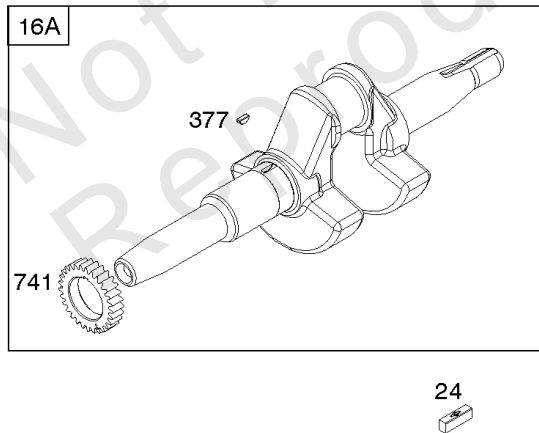
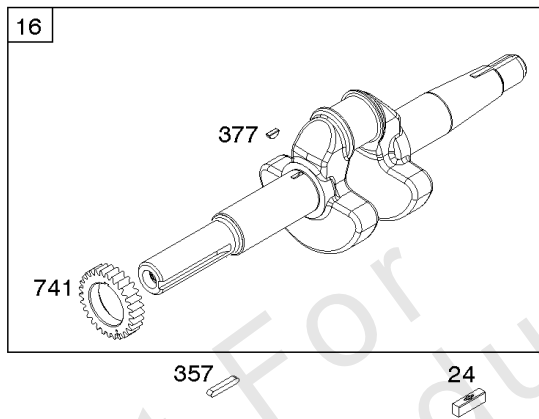
Blower Housing/Shrouds, Flywheel, Rewind Starter

REF NO	PART NO	QTY	DESCRIPTION
23	794814		FLYWHEEL
37	795715		GUARD, Flywheel -(Snap-on)
37A	699047		GUARD, Flywheel -Used Before Code Date 12080600
37B	790730		GUARD, Flywheel -Used Before Code Date 12080600
37C	591544		GUARD, Flywheel -Used After Code Date 12080500
58	66574		ROPE, Starter -(Cut To Required Length)
60	490652		GRIP-STARTER ROPE
65	699228		SCREW -(Rewind Starter)
78A	699205		SCREW -(Flywheel Guard)
78B	795026		SCREW -(Flywheel Guard)
304	798994		HOUSING, Blower
305	699481		SCREW -(Blower Housing)
332	794824		NUT -(Flywheel)
363	19203		PULLER, Flywheel
455	794867		CUP, Flywheel
608	798825		STARTER, Rewind
727A	697465		COVER, Starter Drive
732	699200		SCREW -(Starter Drive Cover)
1005	794815		FAN, Flywheel
1070	794821		SCREW -(Flywheel Fan)

Camshaft, Crankshaft, Cylinder, Piston/Rings/Connecting Rod, Warning Label

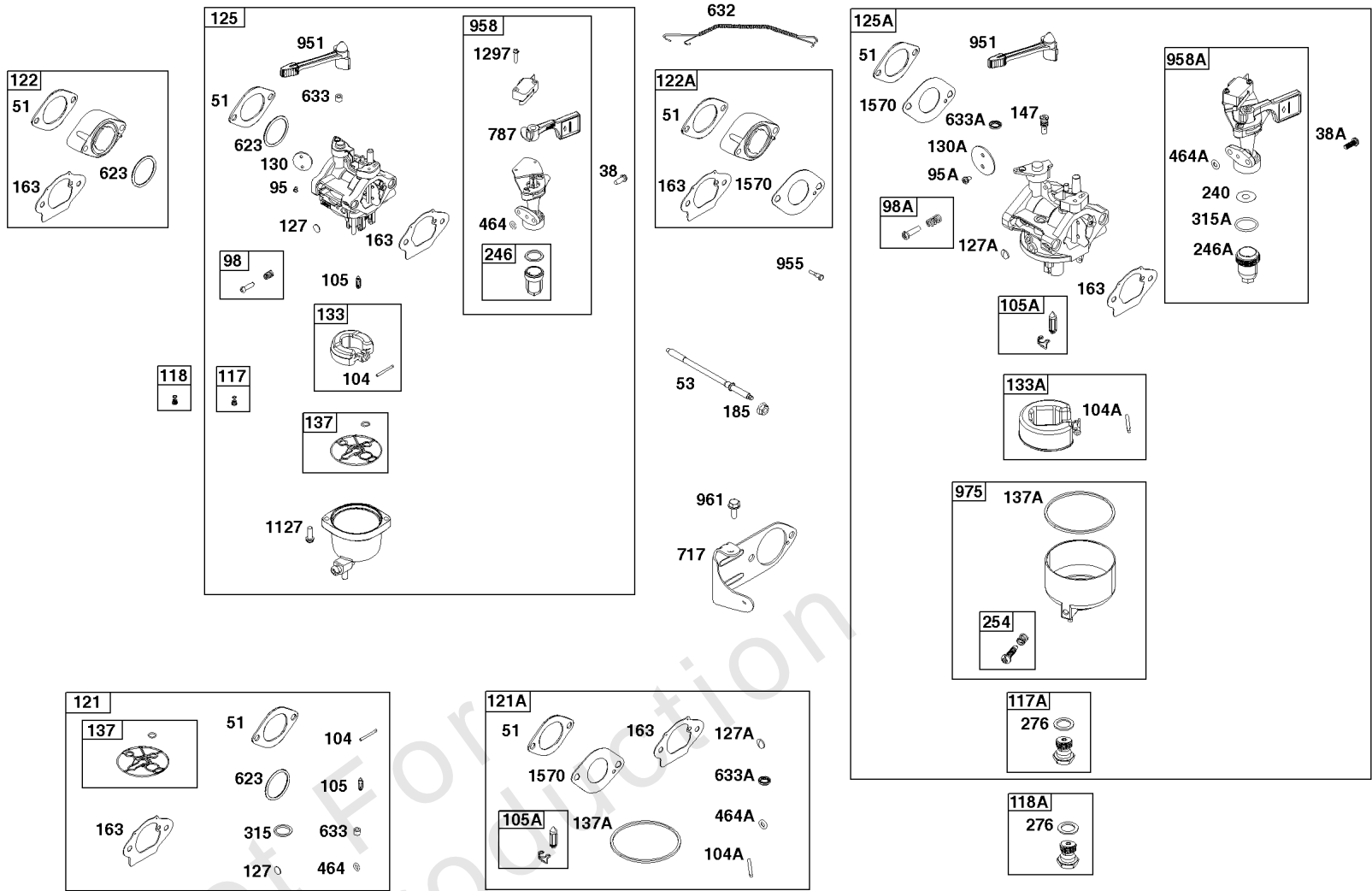
Mfg. No: 19L232-0315-F1

- 1036 EMISSIONS LABEL
- 1319 WARNING LABEL
- 1319A WARNING LABEL



Camshaft, Crankshaft, Cylinder, Piston/Rings/Connecting Rod, Warning Label

REF NO	PART NO	QTY	DESCRIPTION
1	799046		CYLINDER ASSEMBLY
3	798991		SEAL, Oil -(Magneto Side)
15	691686		PLUG-OIL DRAIN
16A	796958		CRANKSHAFT
17	798993		BEARING, Ball
24	222698S		KEY, Flywheel
25	792117		PISTON ASSEMBLY -(Standard)
25	792144		PISTON ASSEMBLY -(.020 Oversize)
26	792073		SET, Ring -(.020" Oversize)
26	792026		SET, Ring -(Standard)
27	690975		LOCK, Piston Pin
28	696581		PIN, Piston -(Standard)
29	694691		ROD, Connecting
30	694692		DIPPER, Connecting Rod
32	690976		SCREW -(Connecting Rod)
45	690977		TAPPET, Valve
46	795697		CAMSHAFT
306	798992		SHIELD, Cylinder
307	794822		SCREW -(Cylinder Shield)
309	695479		MOTOR, Starter
357	590960		KEY, Drive Pulley
357	591054		KEY, Drive Pulley
377	690979		KEY, Woodruff -Used After Code Date 11103100
377	798972		KEY, Woodruff -Used Before Code Date 11110100
529	791822		GROMMET
552	694674		BUSHING, Governor Crank
718	690959		PIN, Locating -(Cylinder Head)
718A	695178		PIN, Locating -(Head)
741	691288		GEAR, Timing
1026	592673		ROD, Push
1036	-----		LABEL, Emissions -(Available From A Briggs & Stratton Authorized Dealer)
1319	794467		LABEL, Warning
1319A	797669		LABEL, Warning



Carburetor Group

REF NO	PART NO	QTY	DESCRIPTION
38	698557	2	SCREW -(Fuel Shut Off Valve) -Used Before Code Date 18112600
38A	595328	2	SCREW -(Fuel Shut Off Valve) -Used After Code Date 18112500
51	-----	1	GASKET, Intake -(Part information located in Cylinder Head Group.)
53	798988	2	STUD -(Carburetor)
95	690718	2	SCREW -(Throttle Valve) -Used Before Code Date 18112600
95A	797161	2	SCREW -(Throttle Valve) -Used After Code Date 18112500
98	695408	1	KIT, Idle Speed -Used Before Code Date 18112600
98A	847139	1	KIT, Idle Speed -Used After Code Date 18112500
104	694918	1	PIN, Float Hinge -Used Before Code Date 18112600
104A	597533	1	PIN, Float Hinge -Used After Code Date 18112500
105	696136	1	VALVE, Float Needle -Used Before Code Date 18112600
105A	84004840	1	VALVE, Float Needle -Used After Code Date 18112500
117	698788	1	JET, Main -(Standard) -Used Before Code Date 18112600
117A	84004489	1	JET, Main -(Standard) -Used After Code Date 18112500
118	799134	1	JET, Main -(High Altitude) -Used Before Code Date 18112600
118A	84004744	1	JET, Main -(High Altitude) -Used After Code Date 18112500
121	799722	1	KIT, Carburetor Overhaul -(Service Kits may include extra parts not specific to this engine.) -Used Before Code Date 18112600
121A	84004975	1	KIT, Carburetor Overhaul -(Service Kits may include extra parts not specific to this engine.) -Used After Code Date 18112500
122	799766	1	SPACER, Carburetor -Used Before Code Date 18112600
122A	84004776	1	SPACER, Carburetor -Used After Code Date 17112000
125	799060	1	CARBURETOR -Used Before Code Date 18112600
125A	84003204	1	CARBURETOR -Used After Code Date 18112500
127	690727	1	PLUG, Welch -Used Before Code Date 18112600
127A	84004841	1	PLUG, Welch -Used After Code Date 18112500
130	696139	1	VALVE, Throttle -Used Before Code Date 18112600
130A	84004397	1	VALVE, Throttle -Used After Code Date 18112500

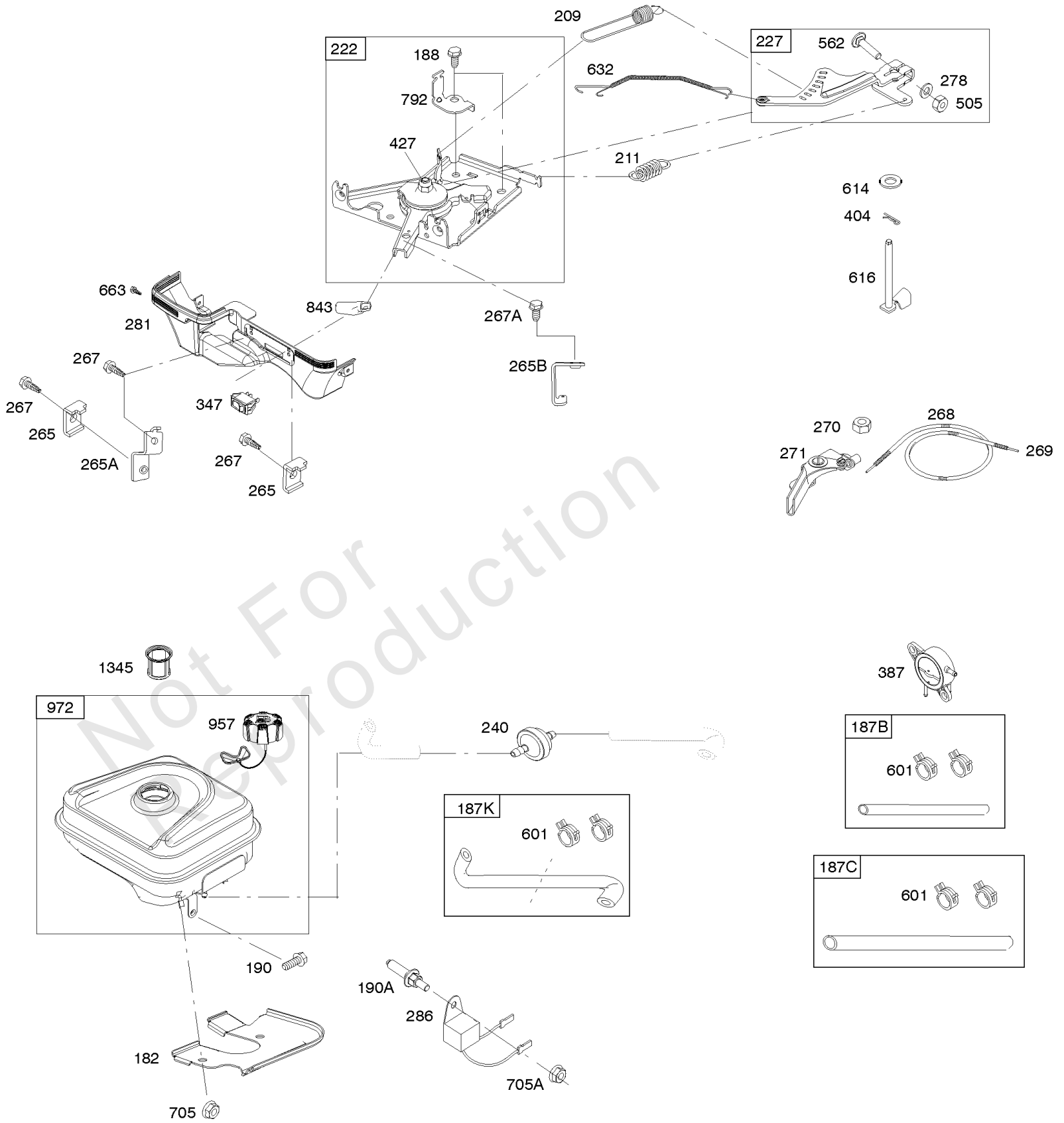
Carburetor Group

REF NO	PART NO	QTY	DESCRIPTION
133	694914	1	FLOAT, Carburetor -Used Before Code Date 18112600
133A	84004490	1	FLOAT, Carburetor -Used After Code Date 18112500
137	799991	1	GASKET, Float Bowl -Used Before Code Date 18112600
137A	84004205	1	GASKET, Float Bowl -Used After Code Date 18112500
147	594872	1	JET, Pilot -Used After Code Date 18112500
163	798962	1	GASKET, Air Cleaner
185	-----	2	NUT -(Part information located in Air Cleaner Group.)
240	597039	1	FILTER, Fuel -Used After Code Date 18112500
246	595153	1	BOWL-FUEL VALVE-STRAINER -Used Before Code Date 18112600
246A	597043	1	BOWL, Fuel Filter -Used After Code Date 18112500
254	595322	1	DRAIN, Carburetor Bowl -Used After Code Date 18112500
276	84004488	1	WASHER, Sealing -Used After Code Date 18112500
315	799035	1	SEAL, O-Ring -(Fuel Filter Bowl) -Used Before Code Date 18112600
315A	597735	1	GASKET, Fuel Bowl -(Fuel Filter Bowl) -Used After Code Date 18112500
464	698550	1	SEAL, O-Ring -(Fuel Shut-off Valve) -Used Before Code Date 18112600
464A	595320	1	SEAL, O-Ring -(Fuel Shut-off Valve) -Used After Code Date 18112500
623	799051	1	SEAL, O-Ring -(Carburetor Spacer) -Used Before Code Date 18112600
632	-----	1	SPRING/LINK, Mechanical Governor -(Part information located in Controls Group.)
633	690722	1	SEAL, Choke/Throttle Shaft -Used Before Code Date 18112600
633A	84004398	1	SEAL, Choke/Throttle Shaft -Used After Code Date 18112500
717	798989	1	BRACKET, Air Cleaner -Used Before Code Date 18112600
717	84004868	1	BRACKET, Air Cleaner -Used After Code Date 18112500
787	798635	1	ARM, Lever -Used Before Code Date 18112600
951	798528	1	LEVER, Choke
955	595329	1	PLUG, Carburetor -Used After Code Date 18112500
958	799073	1	VALVE, Fuel Shut Off -Used Before Code Date 18112600
958A	84004839	1	VALVE, Fuel Shut Off -Used After Code Date 18112500
961	699691	1	SCREW -(Air Cleaner Bracket)
975	84004204	1	BOWL, Float -Used After Code Date 18112500

Carburetor Group

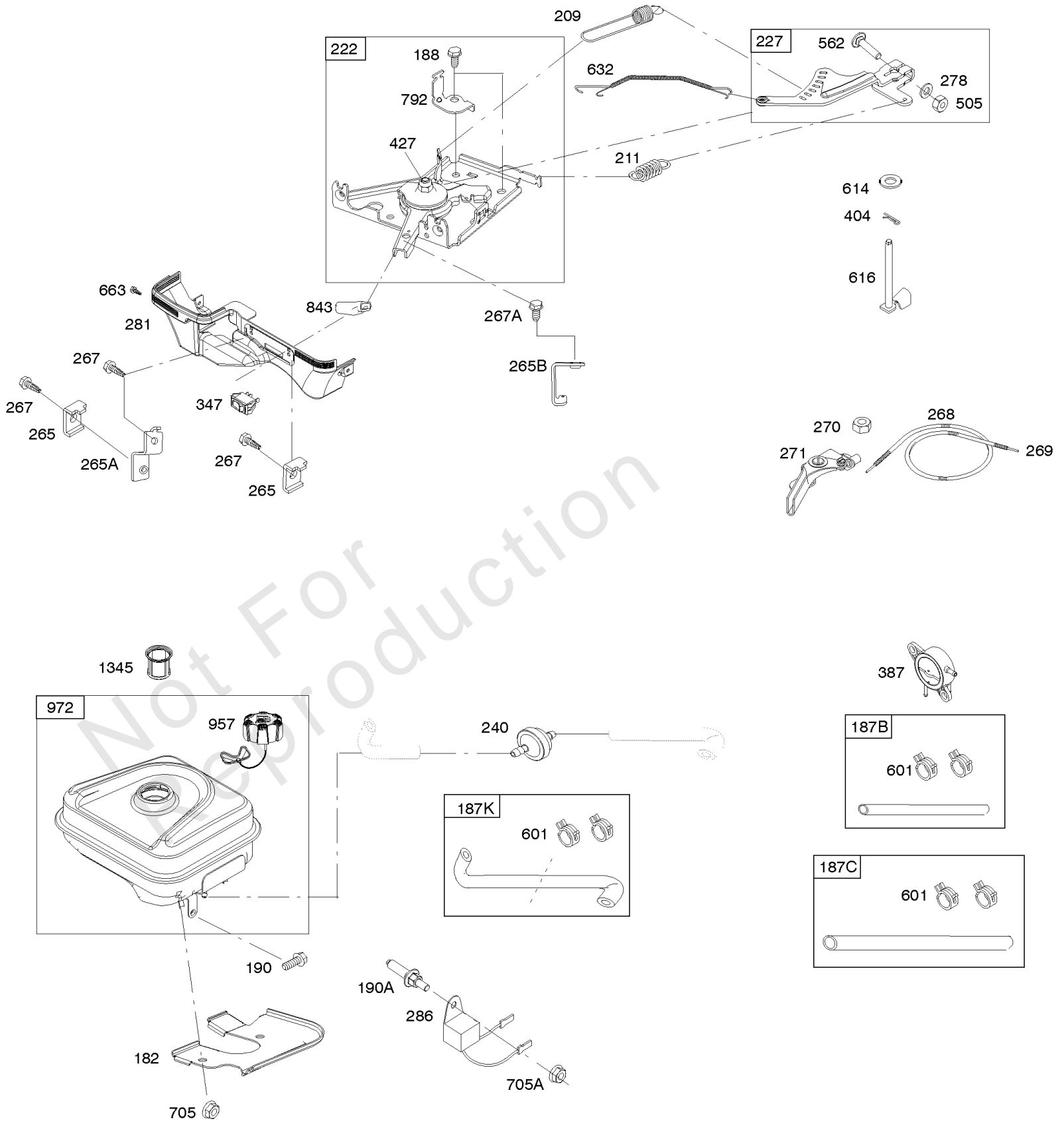
REF NO	PART NO	QTY	DESCRIPTION
1127	695407	2	SCREW -(Float Bowl to Carburetor Body) -Used Before Code Date 18112600
1297	798637	2	SCREW -Used Before Code Date 18112600
1570	84005011	1	GASKET, Spacer -Used After Code Date 17112000

Not For Reproduction



Controls, Fuel Supply, Governor Spring

REF NO	PART NO	QTY	DESCRIPTION
182	799735		BRACKET, Fuel Tank
187B	791766		LINE, Fuel -(15 Inches Long)(Cut to Required Length)
187C	791745		LINE, Fuel -(23 Inches)(Cut To Required Length)
187K	799059		LINE, Fuel -(Formed)(Cut To Required Length)
188	699479		SCREW -(Control Bracket)
190	798496		SCREW -(Fuel Tank)
190A	799725		SCREW -(Fuel Tank) (Used with Oil Sensor Module)
209	798959		SPRING, Governor
211	798960		SPRING, Governed Idle
222	798478		BRACKET, Control
227	799049		LEVER, Governor Control
240	394358S		FILTER, Fuel
265	691024		CLAMP, Casing
265A	591740		CLAMP, Casing
265B	591741		CLAMP, Casing
267	699492		SCREW -(Casing Clamp)
267A	699228		SCREW -(Casing Clamp)
268	691025		CASING, Control Wire -(Cut To Required Length)
269	691026		WIRE, Control -(Cut To Required Length)
270	691027		NUT -(Control Wire Casing)
271	691028		LEVER, Control
278	798196		WASHER -(Governor Control Lever)
281	798961		PANEL, Control
286	594800		MODULE, Oil Sensor -Used After Code Date 15042700
286	798796		MODULE, Oil Sensor -Used Before Code Date 15052800
387	808656		PUMP, Fuel
404	795759		WASHER -(Governor Crank)
427	798458		NUT -(Control Bracket)
505	793515		NUT -(Governor Control Lever)
562	798197		BOLT -(Governor Control Lever)
601	791850		CLAMP, Hose
614	691620		PIN, Cotter -(Governor Crank)
616	795758		CRANK, Governor
632	799083		SPRING/LINK, Mechanical Governor
663	699492		SCREW -(Control Panel)
705	690941		NUT -(Fuel Tank)



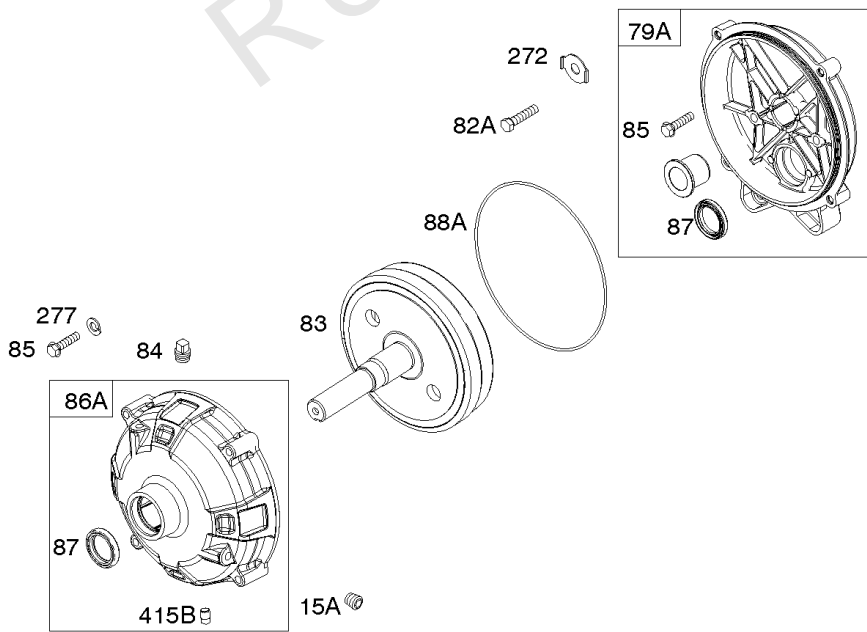
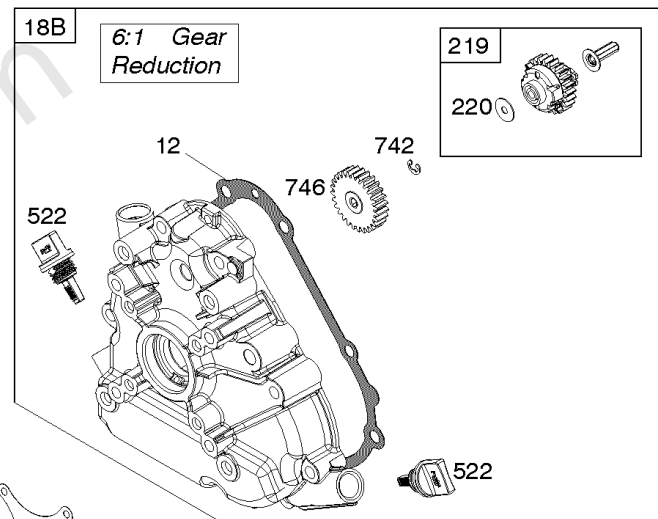
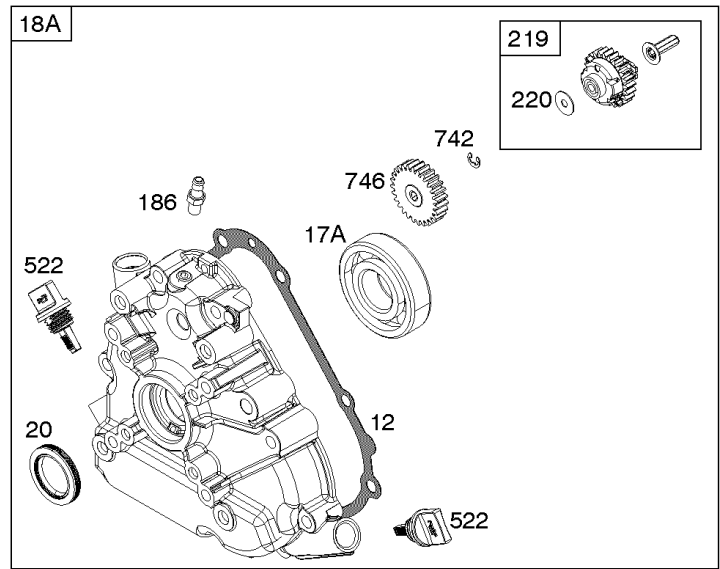
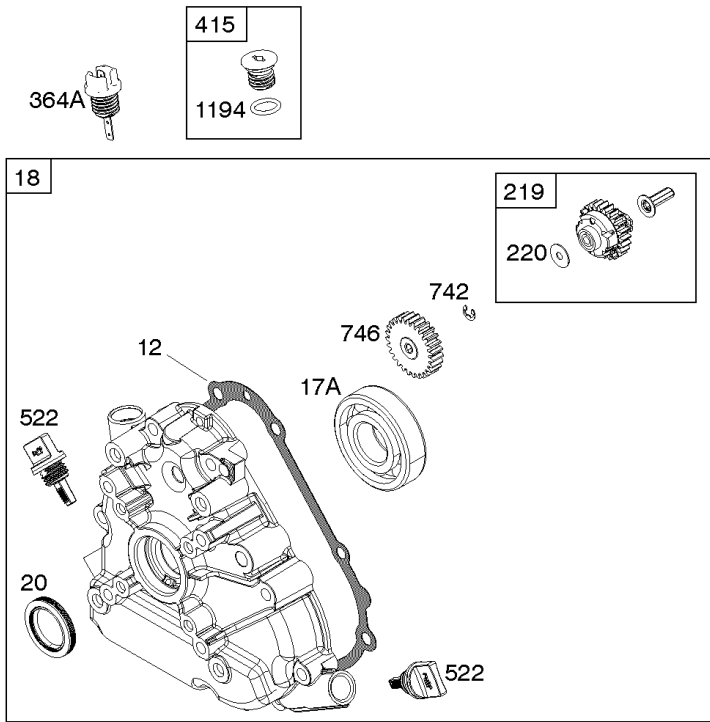
Controls, Fuel Supply, Governor Spring

REF NO	PART NO	QTY	DESCRIPTION
705A	794838		NUT -(Fuel Tank) (Used with Oil Sensor Module)
792	798550		BRACKET, Fixed Speed
843	695588		SLEEVE, Lever
957	799324		CAP, Fuel Tank
972	799986		TANK, Fuel
1345	792917		FILTER, Filler Neck

Not For Reproduction

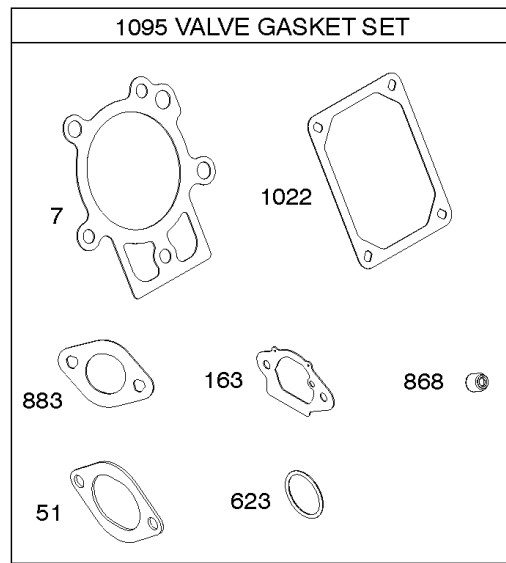
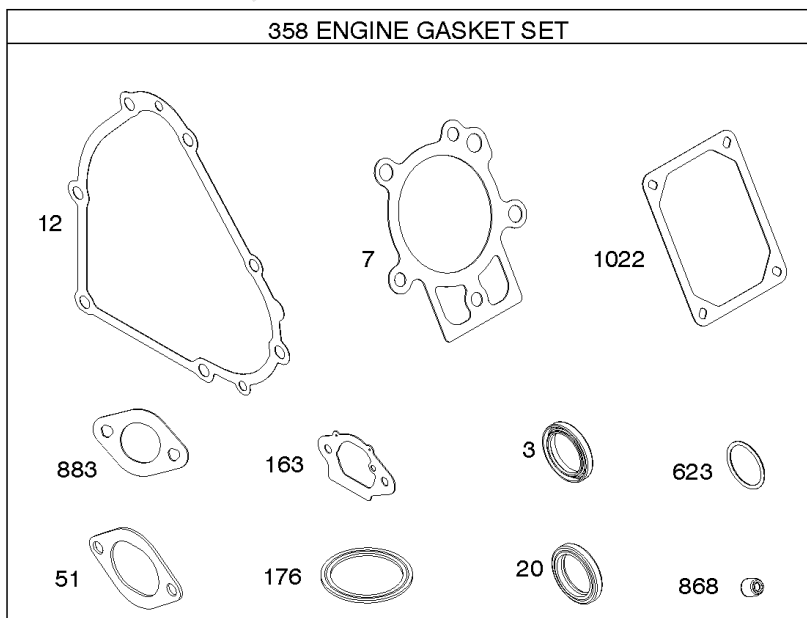
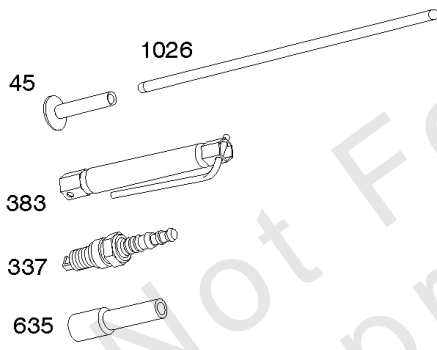
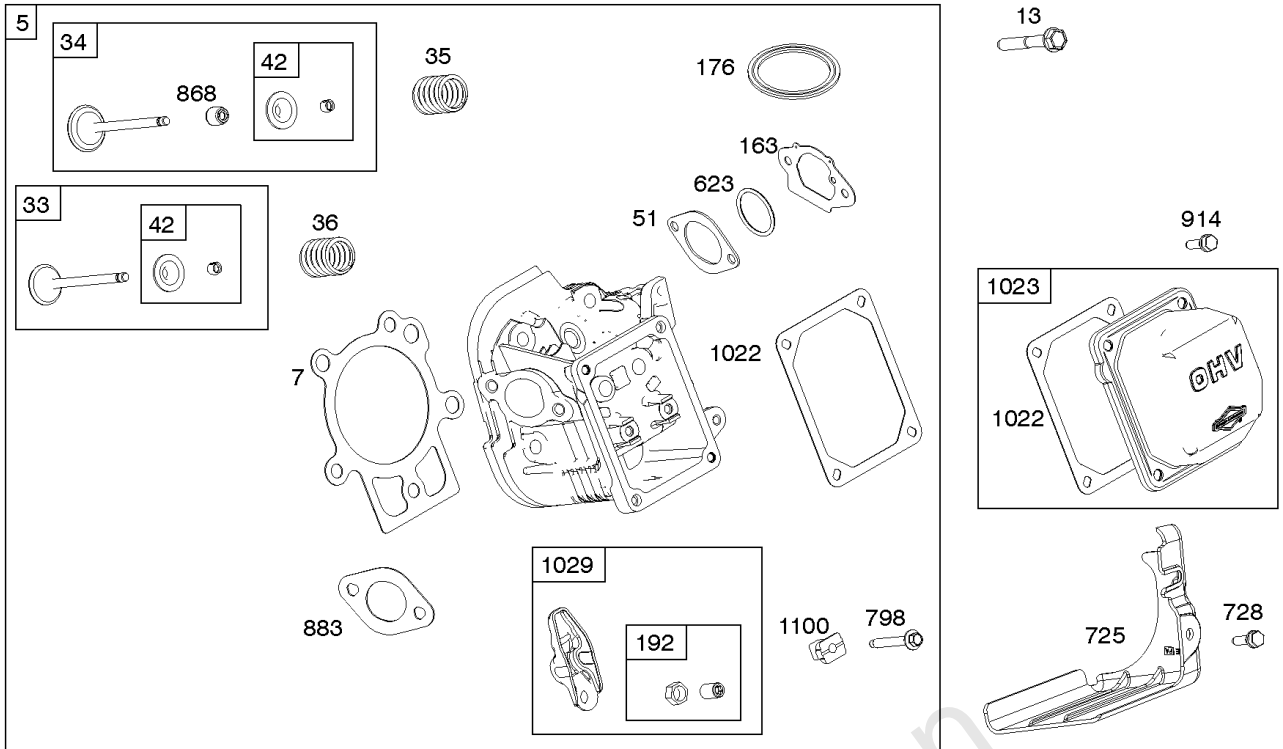
Crankcase Cover, Gear Reduction

Mfg. No: 19L232-0315-F1



Crankcase Cover, Gear Reduction

REF NO	PART NO	QTY	DESCRIPTION
12	798807		GASKET, Crankcase
15A	691682		PLUG-OIL DRAIN
17A	798995		BEARING, Ball
18	799084		COVER, Crankcase
20	798991		SEAL, Oil -(PTO Side)
22	798955		SCREW -(Crankcase Cover/Sump)
79A	794816		CASE, Gear Reduction
80A	793588		GASKET, Gear Case
82A	594700		SCREW -(Gear Reduction Case)
83	690387		SHAFT, Auxiliary Drive
84	691121		PLUG-BREATHER
85	794820		SCREW -(Gear Cover)
86A	793591		COVER, Gear
87	391086S		SEAL, Oil
88A	793589		GASKET, Gear Cover/Housing
170	794833		STUD -(Crankcase Cover/Sump)
186	691764		CONNECTOR-HOSE -(Pulse Line)
219	693578		GEAR, Governor
220	691724		WASHER -(Governor Gear)
272	691168		LOCK, Screw Head
277	794842		WASHER -(Gear Case To Gear Reduction)
364A	699947		TERMINAL, Oil Plug
415	691363		PLUG
415B	794903		PLUG
522	798503		PLUG, Dipstick/Fill
742	692564		RETAINER, E Ring
746	694679		GEAR, Idler
1194	691876		SEAL, O-Ring -(Plug)



Cylinder Head, Gasket Set - Engine, Gasket Set -Valve

REF NO	PART NO	QTY	DESCRIPTION
3	798991		SEAL, Oil -(Magneto Side)
5	799858		HEAD, Cylinder
7	694872		GASKET, Cylinder Head
12	798807		GASKET, Crankcase
13	794829		SCREW -(Cylinder Head)
20	798991		SEAL, Oil -(PTO Side)
33	697576		VALVE, Exhaust
34	792200		VALVE, Intake
35	694865		SPRING, Valve -(Intake)
36	694865		SPRING, Valve -(Exhaust)
42	499586		KEEPER, Valve
45	690977		TAPPET, Valve
51	590396		GASKET, Intake
163	798962		GASKET, Air Cleaner
176	798965		SEAL, O-Ring -(Air Cleaner Base)
192	690083		ADJUSTER, Rocker Arm
337	792015		PLUG, Spark
358	798800		GASKET SET, Engine
383	19576S		WRENCH, Spark Plug
623	799051		SEAL, O-Ring -(Carburetor Spacer) (Air Cleaner Elbow To Carburetor)
635	691909		BOOT, Spark Plug
725	590347		SHIELD, Heat
728	699481		SCREW -(Heat Shield)
798	697890		SCREW -(Rocker Arm)
868	690968		SEAL, Valve
883	695398		GASKET, Exhaust
914	794827		SCREW -(Rocker Cover)
1022	690971		GASKET, Rocker Cover
1023	697691		COVER, Rocker
1026	592673		ROD, Push
1029	690972		ARM, Rocker
1095	798801		GASKET SET, Valve
1100	791959		PIVOT, Rocker Arm

Replacement Engine - Europe, Middle East & Africa

REF NO	PART NO	QTY	DESCRIPTION
	19L2320315F1AX7001		Replacement Engine
	-----		Top No-Load Speed: 3150
	-----		Service Note: CHECK NEW ENGINE DIMENSIONS WILL FIT EQUIPMENT
	-----		Service Note: GENERATOR SPECIFICATION 50HZ
	-----		Service Note: 3.6L FUEL TANK

Not For Reproduction

Replacement Engine - US & Canada

REF NO	PART NO	QTY	DESCRIPTION
	19L2320036	1	Replacement Engine
	796958	1	CRANKSHAFT -Add Part
	590368	1	CRANKSHAFT -Remove Part
-----			Top No-Load Speed: 3150 -Trim: ALL
-----			Service Note: For all Go-Karts use only a Model 136200 series engine as a replacement, regardless of the original Model.
-----			Service Note: Transfer Governor Spring to replacement engine.

Not For Reproduction

WANGUARD[®]

COMMERCIAL POWER



BRIGGS & STRATTON[®]