

(en) *Operator's Manual*

(id) *Panduan Operator*

(ja) *運転者の使用説明書*

(km) *សៀវភៅណែនាំអ្នកប្រតិបត្តិការ*

(ko) *작동자 설명서*

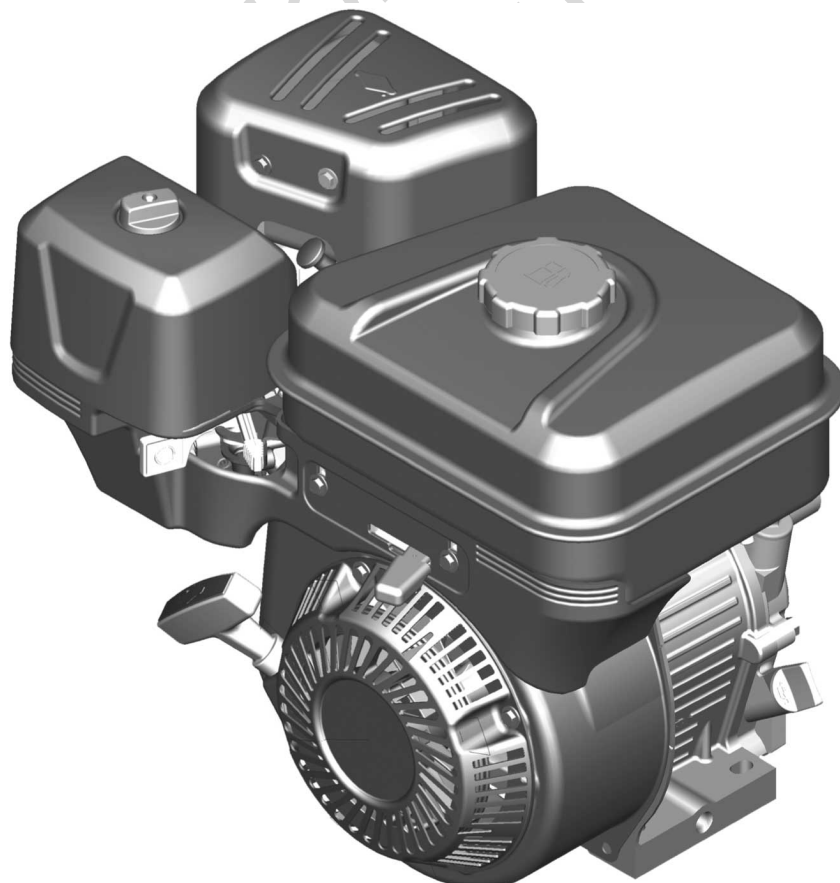
(ms) *Manual Operator*

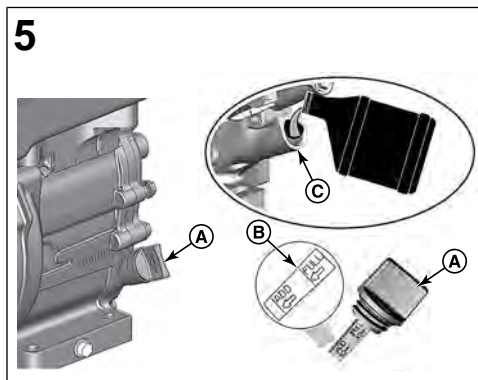
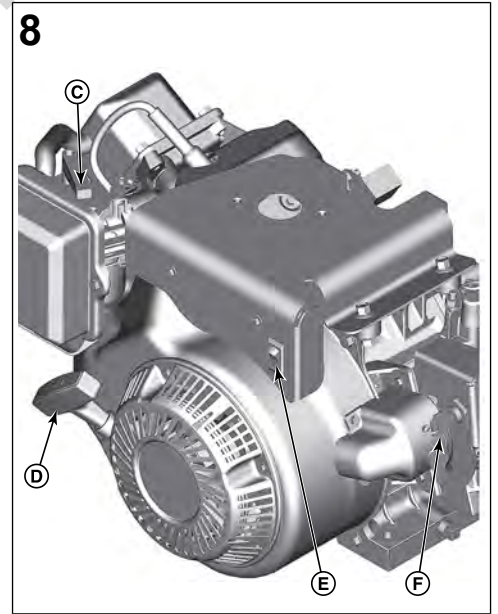
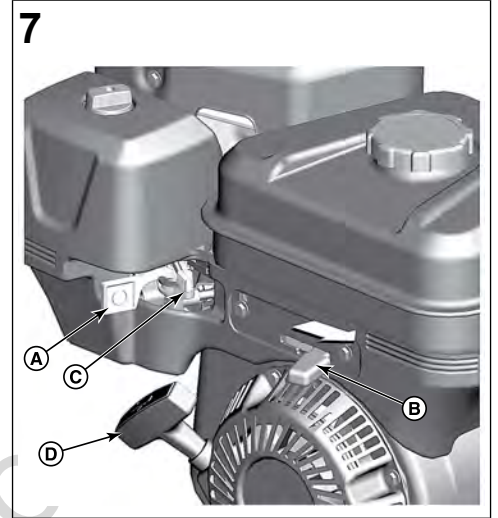
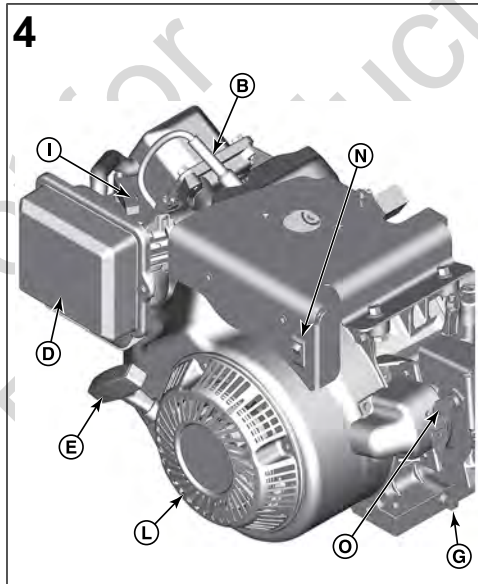
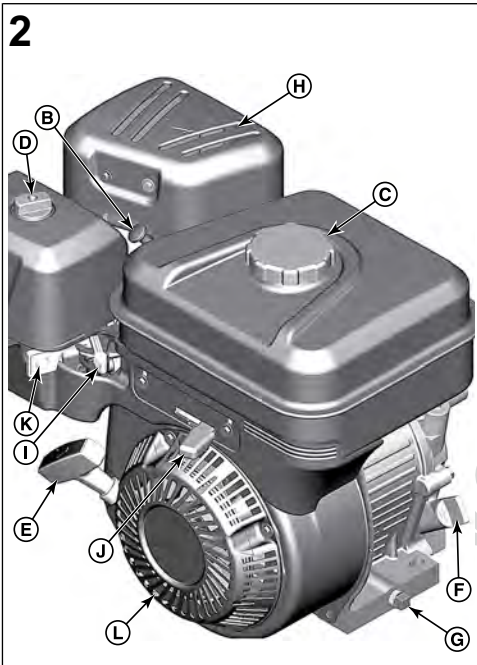
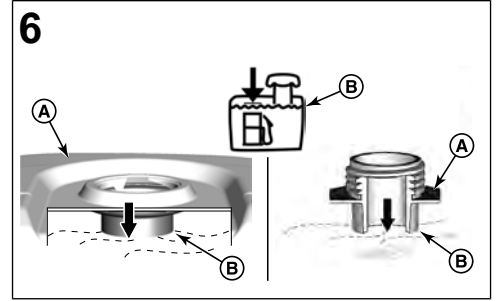
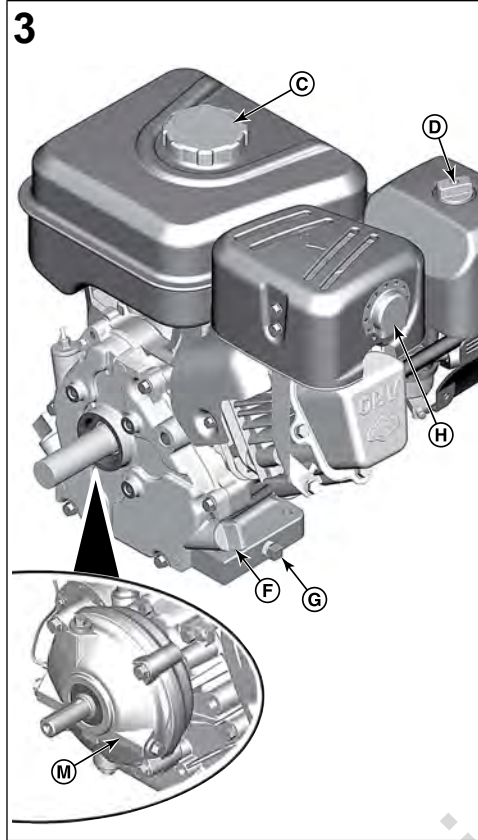
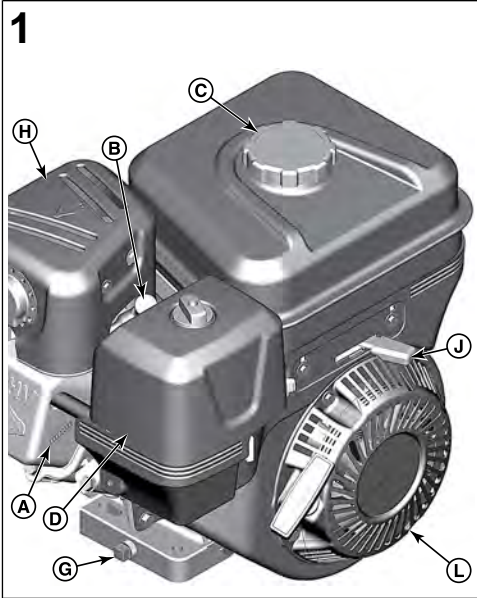
(th) *คู่มือผู้ใช้งาน*

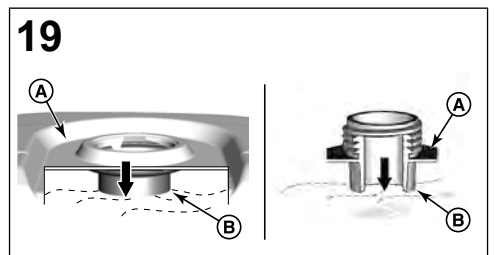
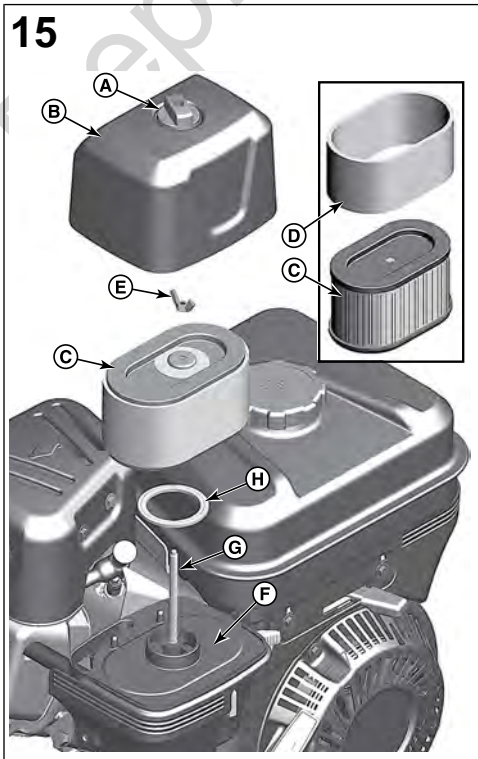
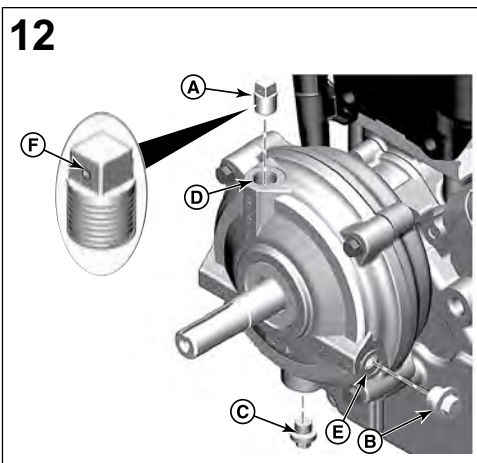
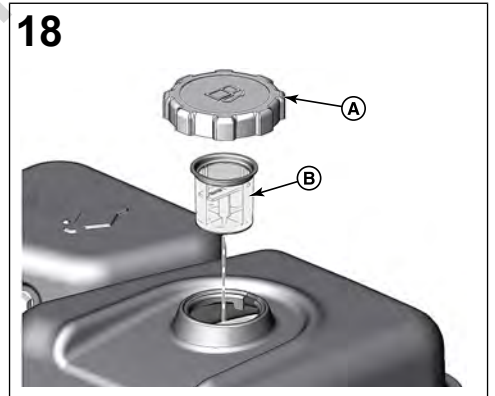
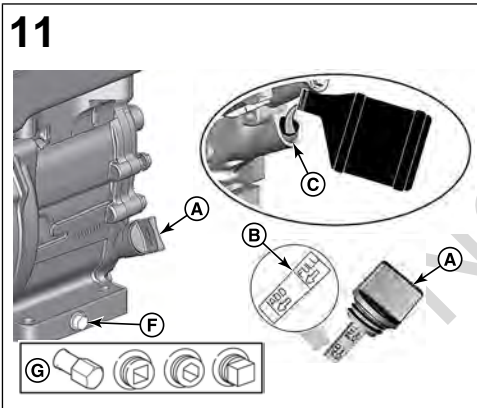
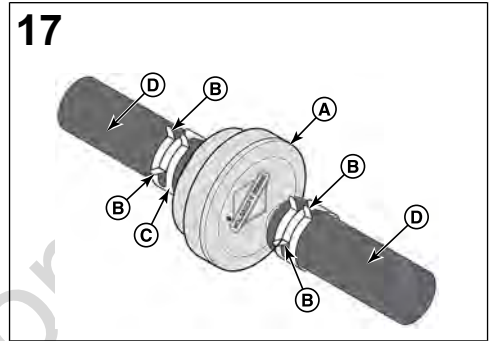
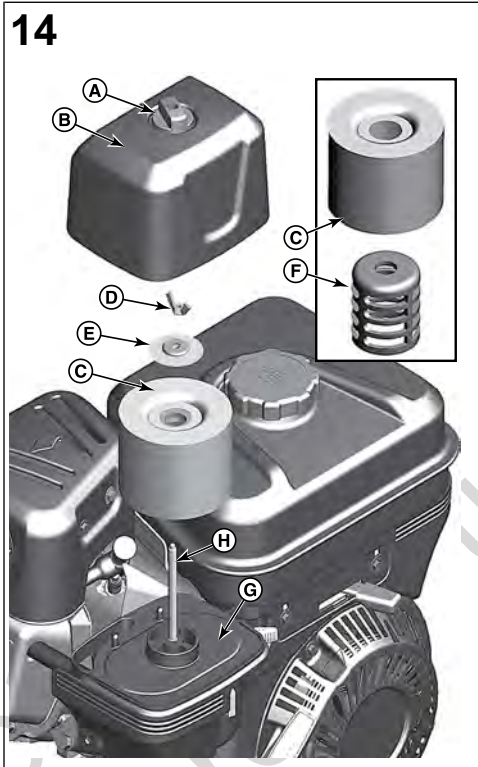
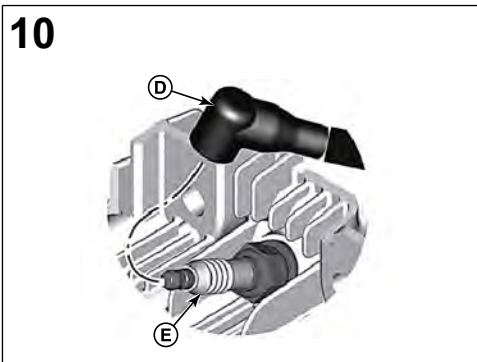
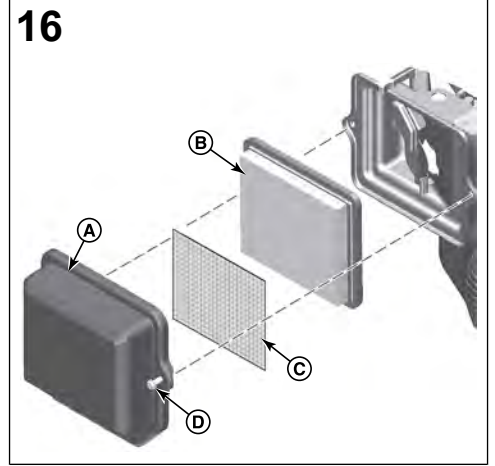
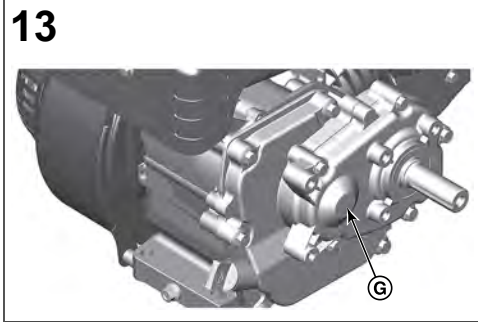
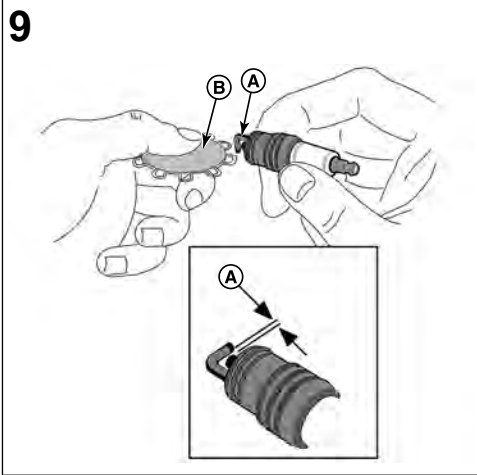
(vi) *Sổ tay Vận hành*

(zh) *操作员手册*

Models: 130000
190000







This manual contains safety information to make you aware of the hazards and risks associated with engines and how to avoid them. It also contains instructions for the proper use and care of the engine. Because Briggs & Stratton Corporation does not necessarily know what equipment this engine will power, it is important that you read and understand these instructions and the instructions for the equipment. **Save these original instructions for future reference.**

Note: The figures and illustrations in this manual are provided for reference only and may differ from your specific model. Contact your dealer if you have questions.

For replacement parts or technical assistance, record below the engine model, type, and code numbers along with the date of purchase. These numbers are located on your engine (see the **Features and Controls** section).

Date of Purchase	
Engine Model - Type - Trim	
Engine Serial Number	

Look for the 2D barcode located on some engines. When viewed with a 2D-capable device, the code will bring up our website where you can access support information for this product. Data rates apply. Some countries may not have online support information available.



Recycling Information

		All packaging, used oil, and batteries should be recycled according to applicable government regulations.
--	--	---

Operator Safety

Safety Alert Symbol and Signal Words

The safety alert symbol is used to identify safety information about hazards that can result in personal injury. A signal word (DANGER, WARNING, or CAUTION) is used with the alert symbol to indicate the likelihood and the potential severity of injury. In addition, a hazard symbol may be used to represent the type of hazard.

DANGER indicates a hazard which, if not avoided, **will result in death or serious injury.**

WARNING indicates a hazard which, if not avoided, **could result in death or serious injury.**

CAUTION indicates a hazard which, if not avoided, **could result in minor or moderate injury.**

NOTICE indicates an situation that **could result in damage to the product.**

Hazard Symbols and Meanings

Symbol	Meaning	Symbol	Meaning
	Safety information about hazards that can result in personal injury.		Read and understand the Operator's Manual before operating or servicing the unit.
	Fire hazard		Explosion hazard

Symbol	Meaning	Symbol	Meaning
	Shock hazard		Toxic fume hazard
	Hot surface hazard		Noise hazard - Ear protection recommended for extended use.
	Thrown object hazard - Wear eye protection.		Explosion hazard
	Frostbite hazard		Kickback hazard
	Amputation hazard - moving parts		Chemical Hazard
	Thermal heat hazard		Corrosive

Safety Messages



WARNING

Certain components in this product and its related accessories contain chemicals known to the State of California to cause cancer, birth defects, or other reproductive harm. Wash hands after handling.



WARNING

The engine exhaust from this product contains chemicals known to the State of California to cause cancer, birth defects, or other reproductive harm.



WARNING

Briggs & Stratton Engines are not designed for and are not to be used to power: fun-karts; go-karts; children's, recreational, or sport all-terrain vehicles (ATVs); motorbikes; hovercraft; aircraft products; or vehicles used in competitive events not sanctioned by Briggs & Stratton. For information about competitive racing products, see www.briggsracing.com. For use with utility and side-by-side ATVs, please contact Briggs & Stratton Engine Application Center, 1-866-927-3349. Improper engine application may result in serious injury or death.



WARNING



Fuel and its vapors are extremely flammable and explosive.

Fire or explosion can cause severe burns or death.

When Adding Fuel

- Turn engine off and let engine cool at least 2 minutes before removing the fuel cap.
- Fill fuel tank outdoors or in well-ventilated area.
- Do not overfill fuel tank. To allow for expansion of the fuel, do not fill above the bottom of the fuel tank neck.
- Keep fuel away from sparks, open flames, pilot lights, heat, and other ignition sources.
- Check fuel lines, tank, cap, and fittings frequently for cracks or leaks. Replace if necessary.
- If fuel spills, wait until it evaporates before starting engine.

When Starting Engine

- Ensure that spark plug, muffler, fuel cap and air cleaner (if equipped) are in place and secured.
- Do not crank engine with spark plug removed.
- If engine floods, set choke (if equipped) to OPEN / RUN position, move throttle (if equipped) to FAST position and crank until engine starts.

When Operating Equipment

- Do not tip engine or equipment at angle which causes fuel to spill.
- Do not choke the carburetor to stop engine.
- Never start or run the engine with the air cleaner assembly (if equipped) or the air filter (if equipped) removed.

When Changing Oil

- If you drain the oil from the top oil fill tube, the fuel tank must be empty or fuel can leak out and result in a fire or explosion.

When Tipping Unit for Maintenance

- When performing maintenance that requires the unit to be tipped, the fuel tank, if mounted on the engine, must be empty or fuel can leak out and result in a fire or explosion.

When Transporting Equipment

- Transport with fuel tank EMPTY or with fuel shut-off valve in the CLOSED position.

When Storing Fuel Or Equipment With Fuel In Tank

- Store away from furnaces, stoves, water heaters or other appliances that have pilot lights or other ignition sources because they can ignite fuel vapors.



Starting engine creates sparking.

Sparking can ignite nearby flammable gases.

Explosion and fire could result.

- If there is natural or LP gas leakage in area, do not start engine.
- Do not use pressurized starting fluids because vapors are flammable.



POISONOUS GAS HAZARD. Engine exhaust contains carbon monoxide, a poisonous gas that could kill you in minutes. You CANNOT see it, smell it, or taste it. Even if you do not smell exhaust fumes, you could still be exposed to carbon monoxide gas. If you start to feel sick, dizzy, or weak while using this product, get to fresh air RIGHT AWAY. See a doctor. You may have carbon monoxide poisoning.

- Operate this product ONLY outside far away from windows, doors and vents to reduce the risk of carbon monoxide gas from accumulating and potentially being drawn towards occupied spaces.
- Install battery-operated carbon monoxide alarms or plug-in carbon monoxide alarms with battery back-up according to the manufacturer's instructions. Smoke alarms cannot detect carbon monoxide gas.
- DO NOT run this product inside homes, garages, basements, crawlspaces, sheds, or other partially-enclosed spaces even if using fans or opening doors and windows for ventilation. Carbon monoxide can quickly build up in these spaces and can linger for hours, even after this product has shut off.
- ALWAYS place this product downwind and point the engine exhaust away from occupied spaces.



Rapid retraction of starter cord (kickback) will pull hand and arm toward engine faster than you can let go.

Broken bones, fractures, bruises or sprains could result.

- When starting engine, pull the starter cord slowly until resistance is felt and then pull rapidly to avoid kickback.
- Remove all external equipment / engine loads before starting engine.
- Direct-coupled equipment components such as, but not limited to, blades, impellers, pulleys, sprockets, etc., must be securely attached.



Rotating parts can contact or entangle hands, feet, hair, clothing, or accessories.

Traumatic amputation or severe laceration can result.

- Operate equipment with guards in place.
- Keep hands and feet away from rotating parts.
- Tie up long hair and remove jewelry.
- Do not wear loose-fitting clothing, dangling drawstrings or items that could become caught.



Running engines produce heat. Engine parts, especially muffler, become extremely hot.

Severe thermal burns can occur on contact.

Combustible debris, such as leaves, grass, brush, etc. can catch fire.

- Allow muffler, engine cylinder and fins to cool before touching.
- Remove accumulated debris from muffler area and cylinder area.
- It is a violation of California Public Resource Code, Section 4442, to use or operate the engine on any forest-covered, brush-covered, or grass-covered land unless the exhaust system is equipped with a spark arrester, as defined in Section 4442, maintained in effective working order. Other states or federal jurisdictions may have similar laws. Contact the original equipment manufacturer, retailer, or dealer to obtain a spark arrester designed for the exhaust system installed on this engine.



Unintentional sparking can result in fire or electric shock.

Unintentional start-up can result in entanglement, traumatic amputation, or laceration.

Fire hazard

Before performing adjustments or repairs:

- Disconnect the spark plug wire and keep it away from the spark plug.
- Disconnect battery at negative terminal (only engines with electric start.)
- Use only correct tools.
- Do not tamper with governor spring, links or other parts to increase engine speed.
- Replacement parts must be of the same design and installed in the same position as the original parts. Other parts may not perform as well, may damage the unit, and may result in injury.
- Do not strike the flywheel with a hammer or hard object because the flywheel may later shatter during operation.

When testing for spark:

- Use approved spark plug tester.
- Do not check for spark with spark plug removed.

Features and Controls

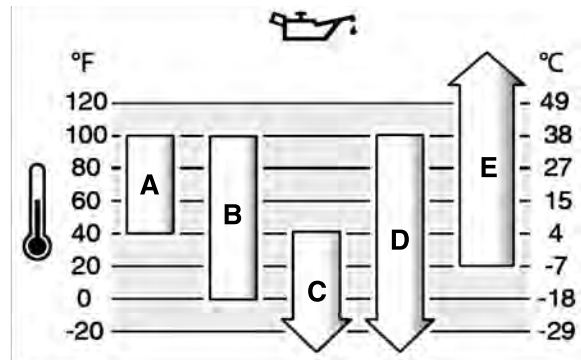
Engine Controls

Compare the illustration (Figure: 1, 2, 3, 4) with your engine to familiarize yourself with the location of various features and controls.

- Engine Identification Numbers **Model - Type - Code**
- Spark Plug
- Fuel Tank and Cap
- Air Cleaner
- Starter Cord Handle
- Oil Fill and Dipstick
- Oil Drain Plug
- Muffler, Muffler Guard (if equipped), Spark Arrester (if equipped)

- I. Choke Control
- J. Throttle Control (if equipped)
- K. TransportGuard™ - Fuel and Ignition Lever
- L. Air Intake Grille
- M. Gear Reduction Unit (if equipped)
- N. Stop Switch (if equipped)
- O. Electric Start Switch (if equipped) ¹

¹ Some engines and equipment have remote controls. See the equipment manual for location and operation of remote controls.



Engine Control Symbols and Meanings

Symbol	Meaning	Symbol	Meaning
	Engine speed - FAST		Engine speed - SLOW
	Engine speed - STOP		ON - OFF
	Engine start - Choke CLOSED		Engine start - Choke OPEN
	Fuel Cap Fuel Shut-off - OPEN		Fuel Shut-off - CLOSED
	Fuel level - Maximum Do not overfill		

A	SAE 30 - Below 40 °F (4 °C) the use of SAE 30 will result in hard starting.
B	10W-30 - Above 80 °F (27 °C) the use of 10W-30 may cause increased oil consumption. Check oil level more frequently.
C	5W-30
D	Synthetic 5W-30
E	Vanguard™ Synthetic 15W-50

Check Oil Level

See Figure: 5

Before adding or checking the oil

- Make sure the engine is level.
- Clean the oil fill area of any debris.

1. Remove the dipstick (A, Figure 5) and wipe with a clean cloth.
2. Install the dipstick (A, Figure 5). **Do not turn or tighten.**
3. Remove the dipstick and check the oil level. Correct oil level is at the top of the full indicator (B, Figure 5) on the dipstick.
4. If oil level is low, slowly add oil into the engine oil fill (C, Figure 5). Fill to point of overflowing.
5. Reinstall and tighten the dipstick (A, Figure 5).

Low Oil Protection System (if equipped)

Some engines are equipped with a low oil sensor. If the oil is low, the sensor will either activate a warning light or stop the engine. Stop the engine and follow these steps before restarting the engine.

- Make sure the engine is level.
- Check the oil level. See the **Check Oil Level** section.
- If the oil level is low, add the proper amount of oil. Start the engine and make sure the warning light (if equipped) is not activated.
- If the oil level is not low, do not start the engine. Contact a Briggs & Stratton Authorized Service Dealer to have the oil problem corrected.

Fuel Recommendations

Fuel must meet these requirements:

- Clean, fresh, unleaded gasoline.
- A minimum of 87 octane/87 AKI (91 RON). High altitude use, see below.
- Gasoline with up to 10% ethanol (gasohol) is acceptable.

NOTICE Do not use unapproved gasolines, such as E15 and E85. Do not mix oil in gasoline or modify the engine to run on alternate fuels. Use of unapproved fuels will damage the engine components, which will not be covered under warranty.

To protect the fuel system from gum formation, mix a fuel stabilizer into the fuel. See **Storage**. All fuel is not the same. If starting or performance problems occur, change fuel providers or change brands. This engine is certified to operate on gasoline. The emissions control system for this engine is EM (Engine Modifications).

High Altitude

At altitudes over 5,000 feet (1524 meters), a minimum 85 octane/85 AKI (89 RON) gasoline is acceptable.

For carbureted engines, high altitude adjustment is required to maintain performance. Operation without this adjustment will cause decreased performance, increased fuel consumption, and increased emissions. Contact a Briggs & Stratton Authorized Service

Operation

Oil Recommendations

Oil Capacity: See the **Specifications** section.

NOTICE

This engine was shipped from Briggs & Stratton without oil. Equipment manufacturers or dealers may have added oil to the engine. Before you start the engine for the first time, make sure to check the oil level and add oil according to the instructions in this manual. If you start the engine without oil, it will be damaged beyond repair and will not be covered under warranty.

We recommend the use of Briggs & Stratton Warranty Certified oils for best performance. Other high-quality detergent oils are acceptable if classified for service SF, SG, SH, SJ or higher. Do not use special additives.

Outdoor temperatures determine the proper oil viscosity for the engine. Use the chart to select the best viscosity for the outdoor temperature range expected. Engines on most outdoor power equipment operate well with 5W-30 Synthetic oil. For equipment operated in hot temperatures, Vanguard™ 15W-50 Synthetic oil provides the best protection.

Dealer for high altitude adjustment information. Operation of the engine at altitudes below 2,500 feet (762 meters) with the high altitude adjustment is not recommended.

For Electronic Fuel Injection (EFI) engines, no high altitude adjustment is necessary.

Add Fuel

See Figure: 6



WARNING

Fuel and its vapors are extremely flammable and explosive.

Fire or explosion can cause severe burns or death.

When adding fuel

- Turn engine off and let engine cool at least 2 minutes before removing the fuel cap.
 - Fill fuel tank outdoors or in well-ventilated area.
 - Do not overfill fuel tank. To allow for expansion of the fuel, do not fill above the bottom of the fuel tank neck.
 - Keep fuel away from sparks, open flames, pilot lights, heat, and other ignition sources.
 - Check fuel lines, tank, cap, and fittings frequently for cracks or leaks. Replace if necessary.
 - If fuel spills, wait until it evaporates before starting engine.
1. Clean the fuel cap area of dirt and debris. Remove the fuel cap.
 2. Fill the fuel tank (A, Figure 6) with fuel. To allow for expansion of the fuel, do not fill above the bottom of the fuel tank neck (B).
 3. Reinstall the fuel cap.

Start and Stop Engine

See Figure: 7, 8

Start Engine



WARNING

Rapid retraction of starter cord (kickback) will pull hand and arm toward engine faster than you can let go.

Broken bones, fractures, bruises or sprains could result.

- When starting engine, pull the starter cord slowly until resistance is felt and then pull rapidly to avoid kickback.



WARNING

Fuel and its vapors are extremely flammable and explosive.

Fire or explosion can cause severe burns or death.

When Starting Engine

- Ensure that spark plug, muffler, fuel cap and air cleaner (if equipped) are in place and secured.
- Do not crank engine with spark plug removed.
- If engine floods, set choke (if equipped) to OPEN or RUN position, move throttle (if equipped) to FAST position and crank until engine starts.



WARNING

POISONOUS GAS HAZARD. Engine exhaust contains carbon monoxide, a poisonous gas that could kill you in minutes. You CANNOT see it, smell it, or taste it. Even if you do not smell exhaust fumes, you could still be exposed to carbon monoxide gas. If you start to feel sick, dizzy, or weak while using this product, shut it off and get to fresh air RIGHT AWAY. See a doctor. You may have carbon monoxide poisoning.

- Operate this product ONLY outside far away from windows, doors and vents to reduce the risk of carbon monoxide gas from accumulating and potentially being drawn towards occupied spaces.
- Install battery-operated carbon monoxide alarms or plug-in carbon monoxide alarms with battery back-up according to the manufacturer's instructions. Smoke alarms cannot detect carbon monoxide gas.

- DO NOT run this product inside homes, garages, basements, crawlspaces, sheds, or other partially-enclosed spaces even if using fans or opening doors and windows for ventilation. Carbon monoxide can quickly build up in these spaces and can linger for hours, even after this product has shut off.
- ALWAYS place this product downwind and point the engine exhaust away from occupied spaces.

NOTICE This engine was shipped from Briggs & Stratton without oil. Before you start the engine, make sure you add oil according to the instructions in this manual. If you start the engine without oil, it will be damaged beyond repair and will not be covered under warranty.

Note: Equipment may have remote controls. See the equipment manual for location and operation of remote controls.

1. Check the engine oil. See the **Check Oil Level** section.
 2. Make sure equipment drive controls, if equipped, are disengaged.
 3. Move the fuel or ignition lever (A, Figure 7), if equipped, to the on or start position.
 4. Move the throttle control (B, Figure 7), if equipped, to the fast position. Operate the engine in the fast position.
 5. Move the choke control (C, Figure 7, 8) to the closed position.
- Note:* Choke is usually unnecessary when restarting a warm engine.
6. Move the stop switch (E, Figure 8), if equipped, to the on position.
 7. **Rewind Start, if equipped:** Firmly hold the starter cord handle (D, Figure 7, 8). Pull the starter cord handle slowly until resistance is felt, then pull rapidly.



WARNING

Rapid retraction of the starter cord (kickback) will pull your hand and arm toward the engine faster than you can let go. Broken bones, fractures, bruises or sprains could result. When starting engine, pull the starter cord slowly until resistance is felt and then pull rapidly to avoid kickback.

8. **Electric Start, if equipped:** Turn the electric start switch (F, Figure 8) to the on or start position.

NOTICE To extend the life of the starter, use short starting cycles (five seconds maximum). Wait one minute between starting cycles.

9. As the engine warms up, move the choke control (C, Figure 7, 8) to the open position.

Note: If the engine does not start after repeated attempts, contact a local dealer or go to **VanguardEngines.com** or call **1-800-999-9333** (in USA).

Stop Engine



WARNING

Fuel and its vapors are extremely flammable and explosive.

Fire or explosion can cause severe burns or death.

- Do not choke the carburetor to stop the engine.
1. **Stop Switch, if equipped:** Move the stop switch (E, Figure 8) to the stop position. **Fuel and Ignition Lever, if equipped:** Move the fuel and ignition lever (A, Figure 7) to the off or stop position.
 2. **Electric Start, if equipped:** Remove the key. Keep the key out of reach of children.

Maintenance

NOTICE If the engine is tipped during maintenance, the fuel tank, if mounted on engine, must be empty and the spark plug side must be up. If the fuel tank is not empty and if the engine is tipped in any other direction, it may be difficult to start due to oil or gasoline contaminating the air filter and/or the spark plug.



WARNING

When performing maintenance that requires the unit to be tipped, the fuel tank, if mounted on the engine, must be empty or fuel can leak out and result in a fire or explosion.

We recommend that you see any Briggs & Stratton Authorized Service Dealer for all maintenance and service of the engine and engine parts.

NOTICE All the components used to build this engine must remain in place for proper operation.



WARNING

Unintentional parking can result in fire or electric shock.

Unintentional start-up can result in entanglement, traumatic amputation, or laceration.

Fire hazard

Before performing adjustments or repairs:

- Disconnect the spark plug wire and keep it away from the spark plug.
- Disconnect battery at negative terminal (only engines with electric start.)
- Use only correct tools.
- Do not tamper with governor spring, links or other parts to increase engine speed.
- Replacement parts must be of the same design and installed in the same position as the original parts. Other parts may not perform as well, may damage the unit, and may result in injury.
- Do not strike the flywheel with a hammer or hard object because the flywheel may later shatter during operation.

When testing for spark:

- Use approved spark plug tester.
- Do not check for spark with spark plug removed.

Emissions Control Service

Maintenance, replacement, or repair of the emissions control devices and systems may be performed by any off-road engine repair establishment or individual. However, to obtain "no charge" emissions control service, the work must be performed by a factory authorized dealer. See the Emissions Control Statements.

Maintenance Schedule

First 5 Hours
<ul style="list-style-type: none"> • Change oil
Every 8 Hours or Daily
<ul style="list-style-type: none"> • Check engine oil level • Clean area around muffler and controls • Clean air intake grille
Every 25 Hours or Annually
<ul style="list-style-type: none"> • Clean air filter ¹ • Clean pre-cleaner ¹
Every 50 Hours or Annually
<ul style="list-style-type: none"> • Change engine oil • Service exhaust system
Every 100 Hours
<ul style="list-style-type: none"> • Change gear reduction oil (if equipped)
Annually
<ul style="list-style-type: none"> • Replace spark plug • Replace air filter • Replace pre-cleaner • Service fuel system • Service cooling system ¹ • Check valve clearance ²

¹ In dusty conditions or when airborne debris is present, clean more often.

² Not required unless engine performance problems are noted.

Carburetor and Engine Speed

Never make adjustments to the carburetor or engine speed. The carburetor was set at the factory to operate efficiently under most conditions. Do not tamper with the governor spring, linkages, or other parts to change the engine speed. If any adjustments are required contact a Briggs & Stratton Authorized Service Dealer for service.

NOTICE The equipment manufacturer specifies the maximum speed for the engine as installed on the equipment. **Do not exceed** this speed. If you are unsure what the equipment maximum speed is, or what the engine speed is set to from the factory, contact a Briggs & Stratton Authorized Service Dealer for assistance. For safe and proper operation of the equipment, the engine speed should be adjusted only by a qualified service technician.

Service Spark Plug

See Figure: 9

Check the gap (A, Figure 9) with a wire gauge (B). If necessary, reset the gap. Install and tighten the spark plug to the recommended torque. For gap setting or torque, see the **Specifications** section.

Note: In some areas, local law requires using a resistor spark plug to suppress ignition signals. If this engine was originally equipped with a resistor spark plug, use the same type for replacement.

Service Exhaust System



WARNING

Running engines produce heat. Engine parts, especially muffler, become extremely hot.

Severe thermal burns can occur on contact.

Combustible debris, such as leaves, grass, brush, etc. can catch fire.

- Allow muffler, engine cylinder and fins to cool before touching.
- Remove accumulated debris from muffler area and cylinder area.
- It is a violation of California Public Resource Code, Section 4442, to use or operate the engine on any forest-covered, brush-covered, or grass-covered land unless the exhaust system is equipped with a spark arrester, as defined in Section 4442, maintained in effective working order. Other states or federal jurisdictions may have similar laws. Contact the original equipment manufacturer, retailer, or dealer to obtain a spark arrester designed for the exhaust system installed on this engine.

Remove accumulated debris from muffler and cylinder area. Inspect the muffler for cracks, corrosion, or other damage. Remove the deflector or the spark arrester, if equipped, and inspect for damage or carbon blockage. If damage is found, install replacement parts before operating.



WARNING

Replacement parts must be of the same design and installed in the same position as the original parts. Other parts may not perform as well, may damage the unit, and may result in injury.

Change Engine Oil

See Figure: 10, 11

Used oil is a hazardous waste product and must be disposed of properly. Do not discard with household waste. Check with your local authorities, service center, or dealer for safe disposal/recycling facilities.

Remove Oil

1. With engine off but still warm, disconnect the spark plug wire (D, Figure 10) and keep it away from the spark plug (E).
2. Remove the dipstick (A, Figure 11).
3. Remove the oil drain plug (F, Figure 11). Drain the oil into an approved container.

Note: Various oil drain plugs (G, Figure 11) are installed in the engine.

4. After the oil has drained, install and tighten the oil drain plug (F, Figure 11).

Add Oil

- Make sure the engine is level.
 - Clean the oil fill area of any debris.
 - See the **Specifications** section for oil capacity.
1. Remove the dipstick (A, Figure 11) and wipe with a clean cloth.
 2. Slowly pour oil into the engine oil fill (C, Figure 11). Fill to point of overflowing.
 3. Install the dipstick (A, Figure 11). **Do not turn or tighten.**
 4. Remove the dipstick and check the oil level. Correct oil level is at the top of the full indicator (B, Figure 11) on the dipstick.
 5. Reinstall and tighten the dipstick (A, Figure 11).
 6. Connect the spark plug wire (D, Figure 10) to the spark plug (E).

Change Gear Reduction Oil

See Figure: 12, 13

6:1 Gear Reduction (Figure 12)

If your engine is equipped with a 6:1 gear reduction unit, service as follows:

1. Remove the oil fill plug (A, Figure 12) and the oil level plug (B).
2. Remove the oil drain plug (C, Figure 12) and drain the oil into an appropriate receptacle.
3. Reinstall and tighten the oil drain plug (C, Figure 12).
4. To refill, slowly pour gear lube (see **Specifications** section) into the oil fill hole (D, Figure 12). Continue to pour until the oil runs out of the oil level hole (E).
5. Reinstall and tighten the oil level plug (B, Figure 12).
6. Reinstall and tighten the oil fill plug (A, Figure 12).

Note: The oil fill plug (A, Figure 12) has a vent hole (F) and must be installed on the top of the gear case cover as shown.

2:1 Gear Reduction (Figure 13)

The 2:1 gear reduction unit (G, Figure 13) does not require an oil change.

Service Air Filter

See Figure: 14, 15, 16



Fuel and its vapors are extremely flammable and explosive.

Fire or explosion can cause severe burns or death.

- Never start and run the engine with the air cleaner assembly (if equipped) or the air filter (if equipped) removed.

NOTICE Do not use pressurized air or solvents to clean the filter. Pressurized air can damage the filter and solvents will dissolve the filter.

See the **Maintenance Schedule** for service requirements.

Various models use either a foam or a paper filter. Some models may also have an optional pre-cleaner that can be washed and reused. Compare the illustrations in this manual with the type installed on your engine and service as follows.

Foam Air Filter

1. Loosen the fastener(s) (A, Figure 14).
2. Remove the cover (B, Figure 14).
3. Remove the fastener (D, Figure 14) and washer (E).
4. To prevent debris from falling into the carburetor, carefully remove the foam element (C, Figure 14) from the air filter base (G).
5. Remove the support cup (F, Figure 14) from the foam element (C).
6. Wash the foam element (C, Figure 14) in liquid detergent and water. Squeeze dry the foam element in a clean cloth.
7. Saturate the foam element (C, Figure 14) with clean engine oil. To remove the excess engine oil, squeeze the foam element in a clean cloth.
8. Insert the support cup (F, Figure 14) into the foam element (C).

9. Install the foam element (C, Figure 14) to air filter base (G) and onto stud (H). Make sure foam element is properly assembled to air filter base and secure with washer (E) and fastener (D).
10. Install the cover (B, Figure 14) and secure with fastener(s) (A). Make sure the fastener(s) is tight.

Paper Air Filter

1. Loosen the fastener(s) (A, Figure 15).
2. Remove the cover (B, Figure 15).
3. Remove the fastener (E, Figure 15).
4. To prevent debris from falling into the carburetor, carefully remove the pre-cleaner (D, Figure 15), if equipped, and the filter (C) from the air filter base (F).
5. To loosen debris, gently tap the filter (C, Figure 15) on a hard surface. If the filter is excessively dirty, replace with a new filter.
6. Remove the pre-cleaner (D, Figure 15), if equipped, from the filter (C).
7. Wash the pre-cleaner (D, Figure 15) in liquid detergent and water. Allow the pre-cleaner to thoroughly air dry. **Do not** oil the pre-cleaner.
8. Assemble the dry pre-cleaner (D, Figure 15), if equipped, to the filter (C).
9. Install the seal washer (H, Figure 15), the filter (C), and the pre-cleaner (D), if equipped, to air filter base (F) and onto stud (G). Make sure the filter is properly assembled to air filter base and secure with fastener (E).
10. Install the cover (B, Figure 15) and secure with the fastener(s) (A). Make sure the fastener(s) is tight.

Paper Air Filter

1. Loosen the fastener(s) (D, Figure 16).
2. Remove the cover (A, Figure 16).
3. Remove the pre-cleaner (C, Figure 16), if equipped, and the filter (B).
4. To loosen debris, gently tap the filter (B, Figure 16) on a hard surface. If the filter is excessively dirty, replace with a new filter.
5. Wash the pre-cleaner (C, Figure 16), if equipped, in liquid detergent and water. Allow the pre-cleaner to thoroughly air dry. **Do not** oil the pre-cleaner.
6. Install the dry pre-cleaner (C, Figure 16), if equipped, and the filter (B).
7. Install the cover (A, Figure 16) and secure with the fastener(s) (D). Make sure the fastener(s) is tight.

Service Fuel System

See Figure: 17, 18



Fuel and its vapors are extremely flammable and explosive.

Fire or explosion can cause severe burns or death.

- Keep fuel away from sparks, open flames, pilot lights, heat, and other ignition sources.
- Check fuel lines, tank, cap, and fittings frequently for cracks or leaks. Replace if necessary.
- Before cleaning or replacing the fuel filter, drain the fuel tank or close the fuel shut-off valve.
- If fuel spills, wait until it evaporates before starting engine.
- Replacement parts must be the same and installed in the same position as the original parts.

Fuel Filter, if equipped

1. Before cleaning or replacing the fuel filter (A, Figure 17), drain the fuel tank or close the fuel shut-off valve. Otherwise, fuel can leak out and cause a fire or explosion.
2. Use pliers to squeeze tabs (B, Figure 17) on the clamps (C), then slide the clamps away from the fuel filter (A). Twist and pull the fuel lines (D) off of the fuel filter.
3. Check the fuel lines (D, Figure 17) for cracks or leaks. Replace if necessary.
4. Replace the fuel filter (A, Figure 17) with an original equipment replacement filter.
5. Secure the fuel lines (D, Figure 17) with clamps (C) as shown.

Fuel Strainer, if equipped

1. Remove the fuel cap (A, Figure 18).
2. Remove the fuel strainer (B, Figure 18).

- If the fuel strainer is dirty, clean or replace it. If you replace the fuel strainer, make sure to use an original equipment replacement fuel strainer.

Service Cooling System



WARNING

Running engines produce heat. Engine parts, especially muffler, become extremely hot.

Severe thermal burns can occur on contact.

Combustible debris, such as leaves, grass, brush, etc., can catch fire.

- Allow muffler, engine cylinder and fins to cool before touching.
- Remove accumulated debris from muffler area and cylinder area.

NOTICE Do not use water to clean the engine. Water could contaminate the fuel system. Use a brush or dry cloth to clean the engine.

This is an air cooled engine. Dirt or debris can restrict air flow and cause the engine to overheat, resulting in poor performance and reduced engine life.

- Use a brush or dry cloth to remove debris from the air intake grille.
- Keep linkage, springs and controls clean.
- Keep the area around and behind the muffler, if equipped, free of any combustible debris.
- Make sure the oil cooler fins, if equipped, are free of dirt and debris.

After a period of time, debris can accumulate in the cylinder cooling fins and cause the engine to overheat. This debris cannot be removed without partial disassembly of the engine. Have a Briggs & Stratton Authorized Service Dealer inspect and clean the air cooling system as recommended in the **Maintenance Schedule**.

Storage



WARNING

Fuel and its vapors are extremely flammable and explosive.

Fire or explosion can cause severe burns or death.

When Storing Fuel Or Equipment With Fuel In Tank

- Store away from furnaces, stoves, water heaters or other appliances that have pilot lights or other ignition sources because they can ignite fuel vapors.

Fuel System

See Figure: 19

Store the engine level (normal operating position). Fill fuel tank (A, Figure 19) with fuel. To allow for expansion of fuel, do not overfill above the fuel tank neck (B).

Fuel can become stale when stored over 30 days. Stale fuel causes acid and gum deposits to form in the fuel system or on essential carburetor parts. To keep fuel fresh, use **Briggs & Stratton Advanced Formula Fuel Treatment & Stabilizer**, available wherever Briggs & Stratton genuine service parts are sold.

There is no need to drain gasoline from the engine if a fuel stabilizer is added according to instructions. Run the engine for two (2) minutes to circulate the stabilizer throughout the fuel system before storage.

If gasoline in the engine has not been treated with a fuel stabilizer, it must be drained into an approved container. Run the engine until it stops from lack of fuel. The use of a fuel stabilizer in the storage container is recommended to maintain freshness.

Engine Oil

While the engine is still warm, change the engine oil. See the **Change Engine Oil** section.

Troubleshooting

For assistance, contact your local dealer or go to VanguardEngines.com or call **1-800-999-9333** (in USA).

Specifications

Model: 130000	
Displacement	12.48 ci (205 cc)
Bore	2.688 in (68,28 mm)
Stroke	2.200 in (55,88 mm)
Oil Capacity	20 - 22 oz (.59 - .65 L)
Gear Reduction Oil Type	80W-90
Gear Reduction Oil Capacity	4 oz (.12 L)
Spark Plug Gap	.030 in (.76 mm)
Spark Plug Torque	180 lb-in (20 Nm)
Armature Air Gap	.010 - .014 in (.25 - .36 mm)
Intake Valve Clearance	.004 - .006 in (.10 - .15 mm)
Exhaust Valve Clearance	.009 - .011 in (.23 - .28 mm)

Model: 190000	
Displacement	18.63 ci (305 cc)
Bore	3.120 in (79,24 mm)
Stroke	2.438 in (61,93 mm)
Oil Capacity	26 - 28 oz (.77 - .83 L)
Gear Reduction Oil Type	SAE 30
Gear Reduction Oil Capacity	12 oz (.35 L)
Spark Plug Gap	.030 in (.76 mm)
Spark Plug Torque	180 lb-in (20 Nm)
Armature Air Gap	.010 - .014 in (.25 - .36 mm)
Intake Valve Clearance	.004 - .006 in (.10 - .15 mm)
Exhaust Valve Clearance	.004 - .006 in (.10 - .15 mm)

Engine power will decrease 3.5% for each 1,000 feet (300 meters) above sea level and 1% for each 10° F (5.6° C) above 77° F (25° C). The engine will operate satisfactorily at an angle up to 15°. Refer to the equipment operator's manual for safe allowable operating limits on slopes.

Service Parts - Model: 130000, 190000	
Service Part	Part Number
Foam Air Filter (Model 130000, Figure 14)	797378
Paper Air Filter (Model 130000, Figure 15)	797033
Pre-cleaner (Model 130000, Figure 15)	798513
Paper Air Filter (Model 190000, Figure 15)	797032
Pre-cleaner (Model 190000, Figure 15)	798795
Paper Air Filter (Figure 16)	474279
Pre-cleaner (Figure 16)	491435S
Advanced Formula Fuel Treatment & Stabilizer	100117, 100120
Resistor Spark Plug	491055
Spark Plug Wrench	19576, 5402
Spark Tester	19368

We recommend that you see any Briggs & Stratton Authorized Dealer for all maintenance and service of the engine and engine parts.

Power Ratings: The gross power rating for individual gasoline engine models is labeled in accordance with SAE (Society of Automotive Engineers) code J1940 Small Engine Power & Torque Rating Procedure, and is rated in accordance with SAE J1995. Torque values are derived at 2600 RPM for those engines with "rpm" called out on the label and 3060 RPM for all others; horsepower values are derived at 3600 RPM. The gross power curves can be viewed at www.BRIGGSandSTRATTON.COM. Net power values are taken with exhaust and air cleaner installed whereas gross power values are collected without these attachments. Actual gross engine power will be higher than net engine power and is affected by, among other things, ambient operating conditions and engine-to-engine variability. Given the wide array of products on which engines are placed, the gasoline engine may not develop the rated gross power when used in a given piece of power equipment. This difference is due to a variety of factors including, but not limited to, the variety of engine components (air cleaner, exhaust, charging, cooling, carburetor, fuel

pump, etc.), application limitations, ambient operating conditions (temperature, humidity, altitude), and engine-to-engine variability. Due to manufacturing and capacity limitations, Briggs & Stratton may substitute an engine of higher rated power for this engine.

Warranty

Briggs & Stratton Engine Warranty

Effective January 2017

Limited Warranty

Briggs & Stratton warrants that, during the warranty period specified below, it will repair or replace, free of charge, any part that is defective in material or workmanship or both. Transportation charges on product submitted for repair or replacement under this warranty must be borne by purchaser. This warranty is effective for and is subject to the time periods and conditions stated below. For warranty service, find the nearest Authorized Service Dealer in our dealer locator map at BRIGGSandSTRATTON.COM. The purchaser must contact the Authorized Service Dealer, and then make the product available to the Authorized Service Dealer for inspection and testing.

There is no other express warranty. Implied warranties, including those of merchantability and fitness for a particular purpose, are limited to the warranty period listed below, or to the extent permitted by law. Liability for incidental or consequential damages are excluded to the extent exclusion is permitted by law. Some states or countries do not allow limitations on how long an implied warranty lasts, and some states or countries do not allow the exclusion or limitation of incidental or consequential damages, so the above limitation and exclusion may not apply to you. This warranty gives you specific legal rights and you may also have other rights which vary from state to state and country to country ¹.

Standard Warranty Terms ^{1, 2, 3}

Brand / Product Name	Consumer Use	Commercial Use
Vanguard™; Commercial Series	36 months	36 months
Engines Featuring Dura-Bore™ Cast Iron Sleeve	24 months	12 months
All Other Engines	24 months	3 months

¹These are our standard warranty terms, but occasionally there may be additional warranty coverage that was not determined at time of publication. For a listing of current warranty terms for your engine, go to BRIGGSandSTRATTON.com or contact your Briggs & Stratton Authorized Service Dealer.

²There is no warranty for engines on equipment used for prime power in place of a utility or for standby generators used for commercial purposes. Engines used in competitive racing or on commercial or rental tracks are not warrantied.

³Vanguard installed on standby generators: 24 months consumer use, no warranty commercial use. Vanguard installed on utility vehicles: 24 months consumer use, 24 months commercial use. Commercial Series with manufacturing date before July 2017, 24 months consumer use, 24 months commercial use.

⁴In Australia - Our goods come with guarantees that cannot be excluded under the Australian Consumer Law. You are entitled to a replacement or refund for a major failure and for compensation for any other reasonably foreseeable loss or damage. You are also entitled to have the goods repaired or replaced if the goods fail to be of acceptable quality and the failure does not amount to a major failure. For warranty service, find the nearest Authorized Service Dealer in our dealer locator map at BRIGGSandSTRATTON.COM, or by calling 1300 274 447, or by emailing or writing to salesenquiries@briggsandstratton.com.au, Briggs & Stratton Australia Pty Ltd, 1 Moorebank Avenue, Moorebank, NSW, Australia, 2170.

The warranty period begins on the original date of purchase by the first retail or commercial consumer. "Consumer use" means personal residential household use by a retail consumer. "Commercial use" means all other uses, including use for commercial, income producing or rental purposes. Once an engine has experienced commercial use, it shall thereafter be considered as a commercial use engine for purposes of this warranty.

Save your proof of purchase receipt. If you do not provide proof of the initial purchase date at the time warranty service is requested, the manufacturing date of the product will be used to determine the warranty period. Product registration is not required to obtain warranty service on Briggs & Stratton products.

About Your Warranty

This limited warranty covers engine-related material and/or workmanship issues only, and not replacement or refund of the equipment to which the engine may be mounted. Routine maintenance, tune-ups, adjustments, or normal wear and tear are not covered under this warranty. Similarly, warranty is not applicable if the engine has been altered or modified or if the engine serial number has been defaced or removed. This warranty does not cover engine damage or performance problems caused by:

1. The use of parts that are not original Briggs & Stratton parts;
2. Operating the engine with insufficient, contaminated, or an incorrect grade of lubricating oil;

3. The use of contaminated or stale fuel, gasoline formulated with ethanol greater than 10%, or the use of alternative fuels such as liquefied petroleum or natural gas on engines not originally designed/manufactured by Briggs & Stratton to operate on such fuels;
4. Dirt which entered the engine because of improper air cleaner maintenance or re-assembly;
5. Striking an object with the cutter blade of a rotary lawn mower, loose or improperly installed blade adapters, impellers, or other crankshaft coupled devices, or excessive v-belt tightness;
6. Associated parts or assemblies such as clutches, transmissions, equipment controls, etc., which are not supplied by Briggs & Stratton;
7. Overheating due to grass clippings, dirt and debris, or rodent nests which plug or clog the cooling fins or flywheel area, or by operating the engine without sufficient ventilation;
8. Excessive vibration due to over-speeding, loose engine mounting, loose or unbalanced cutter blades or impellers, or improper coupling of equipment components to the crankshaft;
9. Misuse, lack of routine maintenance, shipping, handling, or warehousing of equipment, or improper engine installation.

Warranty service is available only through Briggs & Stratton Authorized Service Dealers. Locate your nearest Authorized Service Dealer in our dealer locator map at BRIGGSandSTRATTON.COM or by calling 1-800-233-3723 (in USA).

80004537 (Rev. C)

Briggs & Stratton Emissions Warranty

California, U.S. EPA, and Briggs & Stratton Corporation Emissions Control Warranty Statement - Your Warranty Rights and Obligations

For Briggs & Stratton Engine Models with "F" Trim Designation (Model-Type-Trim Representation xxxxxx xxxx Fx)

The California Air Resources Board, U.S. EPA, and Briggs & Stratton (B&S) are pleased to explain the emissions control system warranty on your Model Year 2016-2018 engine/equipment. In California, new small off-road engines and large spark ignited engines less than or equal to 1.0 liter must be designed, built, and equipped to meet the State's stringent anti-smog standards. B&S must warrant the emissions control system on your engine/equipment for the periods of time listed below provided there has been no abuse, neglect, or improper maintenance of your engine/equipment.

Your exhaust emissions control system may include parts such as the carburetor or fuel injection system, ignition system, and catalytic converter. Also included may be hoses, belts, connectors, sensors, and other emissions-related assemblies. Your evaporative emission control system may include parts such as: carburetors, fuel tanks, fuel lines, fuel caps, valves, canisters, filters, vapor hoses, clamps, connectors, and other associated components.

Where a warrantable condition exists, B&S will repair your engine/equipment at no cost to you including diagnosis, parts, and labor.

Manufacturer's Warranty Coverage:

Small off-road engines and large spark ignited engines less than or equal to 1.0 liter, and any related emissions components of the equipment, are warranted for two years, or for the time period listed in the respective engine or product warranty statement, whichever is greater. If any emissions-related part on your B&S engine/equipment is defective, the part will be repaired or replaced by B&S.

Owner's Warranty Responsibilities:

- As the engine/equipment owner, you are responsible for the performance of the required maintenance listed in your Operator's Manual. B&S recommends that you retain all receipts covering maintenance on your engine/equipment, but B&S cannot deny warranty solely for the lack of receipts or your failure to ensure the performance of all scheduled maintenance.
- As the engine/equipment owner, you should however be aware that B&S may deny you warranty coverage if your engine/equipment or a part has failed due to abuse, neglect, improper maintenance, or unapproved modifications.
- You are responsible for presenting your engine/equipment to a B&S distribution center, servicing dealer, or other equivalent entity, as applicable, as soon as a problem exists. The warranty repairs should be completed in a reasonable amount of time, not to exceed 30 days. If you have any questions regarding your warranty rights and responsibilities, you should contact B&S at 1-800-444-7774 (in USA) or BRIGGSandSTRATTON.COM.

Briggs & Stratton Emissions Control Warranty Provisions

The following are specific provisions relative to your Emissions Control Warranty Coverage. It is in addition to the B&S engine warranty for non-regulated engines found in the Operator's Manual.

1. **Warranted Emissions Parts**
Coverage under this warranty extends only to the parts listed below (the emissions control systems parts) to the extent these parts were present on the B&S engine and/or B&S supplied fuel system.

a. **Fuel Metering System**

- Cold start enrichment system (soft choke)
- Carburetor or fuel injection system
- Oxygen sensor
- Electronic control unit
- Fuel pump module
- Fuel line, fuel line fittings, clamps
- Fuel tank, cap and tether
- Carbon canister

b. **Air Induction System**

- Air cleaner
- Intake manifold
- Purge and vent line

c. **Ignition System**

- Spark plug(s)
- Magneto ignition system

d. **Catalyst System**

- Catalytic converter
- Exhaust manifold
- Air injection system or pulse valve

e. **Miscellaneous Items Used in Above Systems**

- Vacuum, temperature, position, time sensitive valves and switches
- Connectors and assemblies

2. **Length of Coverage**

Coverage is for a period of two years from date of original purchase, or for the time period listed in the respective engine or product warranty statement, whichever is greater. B&S warrants to the original purchaser and each subsequent purchaser that the engine is designed, built, and equipped so as to conform with all applicable regulations adopted by the Air Resources Board; that it is free from defects in material and workmanship that could cause the failure of a warranted part; and that it is identical in all material respects to the engine described in the manufacturer's application for certification. The warranty period begins on the date the engine is originally purchased.

The warranty on emissions-related parts is as follows:

- Any warranted part that is not scheduled for replacement as required maintenance in the Operator's Manual supplied, is warranted for the warranty period stated above. If any such part fails during the period of warranty coverage, the part will be repaired or replaced by B&S at no charge to the owner. Any such part repaired or replaced under the warranty will be warranted for the remaining warranty period.
- Any warranted part that is scheduled only for regular inspection in the Operator's Manual supplied, is warranted for the warranty period stated above. Any such part repaired or replaced under warranty will be warranted for the remaining warranty period.
- Any warranted part that is scheduled for replacement as required maintenance in the Operator's Manual supplied, is warranted for the period of time prior to the first scheduled replacement point for that part. If the part fails prior to the first scheduled replacement, the part will be repaired or replaced by B&S at no charge to the owner. Any such part repaired or replaced under warranty will be warranted for the remainder of the period prior to the first scheduled replacement point for the part.
- Add-on or modified parts that are not exempted by the Air Resources Board may not be used. The use of any non-exempted add-on or modified parts by the owner will be grounds for disallowing a warranty claim. The manufacturer will not be liable to warrant failures of warranted parts caused by the use of a non-exempted add-on or modified part.

3. **Consequential Coverage**

Coverage shall extend to the failure of any engine components caused by the failure of any warranted emissions parts.

4. **Claims and Coverage Exclusions**

Warranty claims shall be filed according to the provisions of the B&S engine warranty policy. Warranty coverage does not apply to failures of emissions parts that are not original equipment B&S parts or to parts that fail due to abuse, neglect, or improper maintenance as set forth in the B&S engine warranty policy. B&S is not liable for warranty coverage of failures of emissions parts caused by the use of add-on or modified parts.

Look For Relevant Emissions Durability Period and Air Index Information On Your Small Off-Road Engine Emissions Label

Engines that are certified to meet the California Air Resources Board (CARB) small off-road Emissions Standard must display information regarding the Emissions Durability Period and the Air Index. Briggs & Stratton makes this information available to the consumer on our emissions labels. The engine emissions label will indicate certification information.

The **Emissions Durability Period** describes the number of hours of actual running time for which the engine is certified to be emissions compliant, assuming proper maintenance in accordance with the Operator's Manual. The following categories are used:

Moderate:

Engines at or less than 80 cc displacement are certified to be emissions compliant for 50 hours of actual engine running time. Engines greater than 80 cc displacement are certified to be emissions compliant for 125 hours of actual engine running time.

Intermediate:

Engines at or less than 80 cc displacement are certified to be emissions compliant for 125 hours of actual engine running time. Engines greater than 80 cc displacement are certified to be emissions compliant for 250 hours of actual engine running time.

Extended:

Engines at or less than 80 cc displacement are certified to be emissions compliant for 300 hours of actual engine running time. Engines greater than 80 cc displacement are certified to be emissions compliant for 500 hours of actual engine running time.

For example, a typical walk-behind lawn mower is used 20 to 25 hours per year. Therefore, the **Emissions Durability Period** of an engine with an **intermediate** rating would equate to 10 to 12 years.

Briggs & Stratton engines are certified to meet the United States Environmental Protection Agency (USEPA) Phase 2 or Phase 3 emissions standards. The Emissions Compliance Period referred to on the Emissions Compliance label indicates the number of operating hours for which the engine has been shown to meet Federal emissions requirements.

For engines at or less than 80 cc displacement:

Category C = 50 hours, Category B = 125 hours, Category A = 300 hours

For engines greater than 80 cc displacement and less than 225 cc displacement:

Category C = 125 hours, Category B = 250 hours, Category A = 500 hours

For engines of 225 cc or more displacement:

Category C = 250 hours, Category B = 500 hours, Category A = 1000 hours

80008256 (Rev E)

California, U.S. EPA, and Briggs & Stratton Corporation Emissions Control Warranty Statement - Your Warranty Rights and Obligations

For Briggs & Stratton Engine Models with "B" or "G" Trim Designation (Model-Type-Trim Representation xxxxxx xxxx Bx or xxxxxx xxxx Gx)

The California Air Resources Board, U.S. EPA, and Briggs & Stratton (B&S) are pleased to explain the emissions control system warranty on your Model Year 2016-2018 engine. In California, new small off-road engines and large spark ignited engines less than or equal to 1.0 liter must be designed, built, and equipped to meet the State's stringent anti-smog standards. B&S must warrant the emissions control system on your engine for the periods of time listed below provided there has been no abuse, neglect, or improper maintenance of your engine.

Your exhaust emissions control system may include parts such as the carburetor or fuel injection system, ignition system, and catalytic converter. Also included may be hoses, belts, connectors, sensors, and other emissions-related assemblies.

Where a warrantable condition exists, B&S will repair your engine at no cost to you including diagnosis, parts, and labor.

Manufacturer's Warranty Coverage:

Small off-road engines and large spark ignited engines less than or equal to 1.0 liter, and any related emissions components of the equipment, are warranted for two years, or for the time period listed in the respective engine or product warranty statement, whichever is greater. If any emissions-related part on your B&S engine is defective, the part will be repaired or replaced by B&S.

Owner's Warranty Responsibilities:

- As the engine owner, you are responsible for the performance of the required maintenance listed in your Operator's Manual. B&S recommends that you retain all receipts covering maintenance on your engine, but B&S cannot deny warranty solely for the lack of receipts or your failure to ensure the performance of all scheduled maintenance.

- As the engine owner, you should however be aware that B&S may deny you warranty coverage if your engine or a part has failed due to abuse, neglect, improper maintenance, or unapproved modifications.
- You are responsible for presenting your engine to a B&S distribution center, servicing dealer, or other equivalent entity, as applicable, as soon as a problem exists. The warranty repairs should be completed in a reasonable amount of time, not to exceed 30 days. If you have any questions regarding your warranty rights and responsibilities, you should contact B&S at 1-800-444-7774 (in USA) or BRIGGSandSTRATTON.COM.

Briggs & Stratton Emissions Control Warranty Provisions

The following are specific provisions relative to your Emissions Control Warranty Coverage. It is in addition to the B&S engine warranty for non-regulated engines found in the Operator's Manual.

1. **Warranted Emissions Parts**
Coverage under this warranty extends only to the parts listed below (the emissions control systems parts) to the extent these parts were present on the B&S engine.
 - a. **Fuel Metering System**
 - Cold start enrichment system (soft choke)
 - Carburetor or fuel injection system
 - Oxygen sensor
 - Electronic control unit
 - Fuel pump module
 - b. **Air Induction System**
 - Air cleaner
 - Intake manifold
 - c. **Ignition System**
 - Spark plug(s)
 - Magneto ignition system
 - d. **Catalyst System**
 - Catalytic converter
 - Exhaust manifold
 - Air injection system or pulse valve
 - e. **Miscellaneous Items Used in Above Systems**
 - Vacuum, temperature, position, time sensitive valves and switches
 - Connectors and assemblies
2. **Length of Coverage**
Coverage is for a period of two years from date of original purchase, or for the time period listed in the respective engine or product warranty statement, whichever is greater. B&S warrants to the original purchaser and each subsequent purchaser that the engine is designed, built, and equipped so as to conform with all applicable regulations adopted by the Air Resources Board; that it is free from defects in material and workmanship that could cause the failure of a warranted part; and that it is identical in all material respects to the engine described in the manufacturer's application for certification. The warranty period begins on the date the engine is originally purchased.

The warranty on emissions-related parts is as follows:

- Any warranted part that is not scheduled for replacement as required maintenance in the Operator's Manual supplied, is warranted for the warranty period stated above. If any such part fails during the period of warranty coverage, the part will be repaired or replaced by B&S at no charge to the owner. Any such part repaired or replaced under the warranty will be warranted for the remaining warranty period.
- Any warranted part that is scheduled only for regular inspection in the Operator's Manual supplied, is warranted for the warranty period stated above. Any such part repaired or replaced under warranty will be warranted for the remaining warranty period.
- Any warranted part that is scheduled for replacement as required maintenance in the Operator's Manual supplied, is warranted for the period of time prior to the first scheduled replacement point for that part. If the part fails prior to the first scheduled replacement, the part will be repaired or replaced by B&S at no charge to the owner. Any such part repaired or replaced under warranty will be warranted for the remainder of the period prior to the first scheduled replacement point for the part.
- Add-on or modified parts that are not exempted by the Air Resources Board may not be used. The use of any non-exempted add-on or modified parts by the owner will be grounds for disallowing a warranty claim. The manufacturer will not be liable to warrant failures of warranted parts caused by the use of a non-exempted add-on or modified part.

3. **Consequential Coverage**

Coverage shall extend to the failure of any engine components caused by the failure of any warranted emissions parts.

4. **Claims and Coverage Exclusions**
Warranty claims shall be filed according to the provisions of the B&S engine warranty policy. Warranty coverage does not apply to failures of emissions parts that are not original equipment B&S parts or to parts that fail due to abuse, neglect, or improper maintenance as set forth in the B&S engine warranty policy. B&S is not liable for warranty coverage of failures of emissions parts caused by the use of add-on or modified parts.

Look For Relevant Emissions Durability Period and Air Index Information On Your Small Off-Road Engine Emissions Label

Engines that are certified to meet the California Air Resources Board (CARB) small off-road Emissions Standard must display information regarding the Emissions Durability Period and the Air Index. Briggs & Stratton makes this information available to the consumer on our emissions labels. The engine emissions label will indicate certification information.

The **Emissions Durability Period** describes the number of hours of actual running time for which the engine is certified to be emissions compliant, assuming proper maintenance in accordance with the Operator's Manual. The following categories are used:

Moderate:

Engines at or less than 80 cc displacement are certified to be emissions compliant for 50 hours of actual engine running time. Engines greater than 80 cc displacement are certified to be emissions compliant for 125 hours of actual engine running time.

Intermediate:

Engines at or less than 80 cc displacement are certified to be emissions compliant for 125 hours of actual engine running time. Engines greater than 80 cc displacement are certified to be emissions compliant for 250 hours of actual engine running time.

Extended:

Engines at or less than 80 cc displacement are certified to be emissions compliant for 300 hours of actual engine running time. Engines greater than 80 cc displacement are certified to be emissions compliant for 500 hours of actual engine running time.

For example, a typical walk-behind lawn mower is used 20 to 25 hours per year. Therefore, the **Emissions Durability Period** of an engine with an **intermediate** rating would equate to 10 to 12 years.

Briggs & Stratton engines are certified to meet the United States Environmental Protection Agency (USEPA) Phase 2 or Phase 3 emissions standards. The Emissions Compliance Period referred to on the Emissions Compliance label indicates the number of operating hours for which the engine has been shown to meet Federal emissions requirements.

For engines at or less than 80 cc displacement:

Category C = 50 hours, Category B = 125 hours, Category A = 300 hours

For engines greater than 80 cc displacement and less than 225 cc displacement:

Category C = 125 hours, Category B = 250 hours, Category A = 500 hours

For engines of 225 cc or more displacement:

Category C = 250 hours, Category B = 500 hours, Category A = 1000 hours

80008114 (Rev E)

Panduan ini menjelaskan informasi keselamatan pada Anda agar sadar akan bahaya dan resiko yang berhubungan dengan mesin-mesin dan bagaimana menghindarinya. Selain itu panduan ini juga memberikan petunjuk-petunjuk untuk menggunakan dan merawat mesin dengan tepat. Perusahaan Briggs & Stratton tidak selalu mengetahui peralatan apa yang mendukung mesin ini, sehingga penting bila Anda membaca dan memahami petunjuk-petunjuk yang ada serta panduan untuk peralatan. **Simpan buku panduan yang asli untuk referensi di masa datang.**

Perhatikan: Gambar-gambar dan ilustrasi pada buku panduan diberikan hanya untuk referensi saja dan mungkin berbeda dari model spesifikasi Anda. Hubungi distributor Anda jika ada pertanyaan.

Untuk penggantian suku cadang atau bantuan teknis, silakan catat model, tipe, dan kode nomor mesin beserta tanggal pembeliannya. Nomor-nomor ini ditempatkan di mesin Anda (lihat *bagian* fitur dan kontrol).

Tanggal Pembelian	
Model Mesin - Tipe – Kondisi	
Nomor Seri Mesin	

Cari barcode 2D yang ditempatkan pada beberapa mesin. Jika dilihat dari perangkat dengan sistem 2D, maka kode akan memunculkan website kami di mana Anda bisa mengakses informasi dukungan untuk produk ini. Kecepatan data berlaku. Beberapa Negara mungkin tidak memiliki dukungan informasi online.



Informasi Daur Ulang

		Semua kemasan, oli bekas, dan baterai harus didaur ulang berdasarkan peraturan pemerintah yang berlaku.
--	--	---

Keselamatan Operator

Simbol Peringatan Keselamatan dan Kata Sinyal

Simbol peringatan keselamatan digunakan untuk mengidentifikasi informasi keselamatan tentang bahaya yang dapat menyebabkan cedera pribadi. Kata sinyal (BAHAYA, PERINGATAN, atau PERHATIAN) digunakan dengan simbol peringatan untuk mengindikasikan kemungkinan dan keparahan potensi cedera. Selain itu, simbol bahaya dapat digunakan untuk mewakili tipe bahaya.

BAHAYA mengindikasikan bahaya yang, jika tidak dihindari, akan mengakibatkan kematian atau cedera serius.

PERINGATAN mengindikasikan bahaya yang, jika tidak dihindari, dapat mengakibatkan kematian atau cedera serius.

PERHATIAN mengindikasikan bahaya yang, jika tidak dihindari, dapat mengakibatkan cedera ringan atau sedang.

PEMBERITAHUAN mengindikasikan situasi yang dapat membahayakan produk.

Tanda-tanda Bahaya dan Maknanya

Simbol	Makna	Simbol	Makna
	Informasi Keselamatan tentang bahaya dapat menyebabkan cedera pribadi.		Membaca dan memahami Buku Panduan Penggunaan sebelum menjalankan atau melayani unit tersebut.
	Bahaya Kebakaran		Bahaya Ledakan
	Bahaya Sengatan		Bahaya Asap Beracun
	Bahaya Permukaan Panas		Bahaya Suara – Direkomendasikan menggunakan tutup telinga untuk penggunaan berkepanjangan.
	Bahaya Dilempar Benda – Menggunakan penutup mata.		Bahaya Ledakan
	Bahaya Frosbite/Radang dingin		Bahaya Bantingan
	Bahaya Amputasi – kehilangan bagian tubuh		Bahaya Bahan Kimia
	Bahaya Panas		Korosi

Pesan Keselamatan

PERINGATAN

Komponen-komponen tertentu dalam produk ini dan aksesoris terkait mengandung bahan kimia yang menurut Negara Bagian California dapat menyebabkan kanker, cacat lahir, atau gangguan reproduksi lainnya. Cuci tangan setelah melakukan penanganan.

PERINGATAN

Gas buang mesin dari produk ini mengandung bahan kimia yang menurut Negara Bagian California dapat menyebabkan kanker, cacat lahir, atau gangguan reproduksi lainnya.

PERINGATAN

Mesin Briggs & Stratton tidak dirancang untuk dan tidak akan digunakan untuk menggerakkan: fun-kart; go-kart; kendaraan serba guna (all-terrain vehicle - ATV) untuk rekreasi, atau olah raga anak; sepeda motor; hovercraft; produk pesawat; atau kendaraan yang digunakan pada acara pertandingan yang tidak disetujui oleh Briggs & Stratton. Untuk informasi tentang produk balap kompetitif, lihat www.briggsracing.com. Untuk penggunaan dengan utilitas dan side-by-side ATV, silakan hubungi Briggs & Stratton Engine Application Center, 1-866-927-3349. Penerapan mesin yang tidak tepat dapat mengakibatkan cedera serius atau kematian.

PERINGATAN

Bahan bakar dan uapnya sangat mudah terbakar, dan meledak.

Kebakaran atau ledakan dapat menyebabkan luka bakar parah atau kematian.

Ketika Menambahkan Bahan Bakar

- Matikan mesin generator dan biarkan menjadi dingin selama 2 menit sebelum melepas tutup bahan bakar.
- Lakukan pengisian tangki bahan bakar di luar ruangan atau di area berventilasi baik.
- Jangan isi tangki secara berlebihan. Agar bahan bakar dapat menyebar di dalam tangki, jangan lakukan pengisian di atas bagian dasar leher tangki bahan bakar.
- Jauhkan bahan bakar dari percikan api, nyala api, lampu penunjuk, panas, dan sumber pemicu lainnya.
- Seseekali periksa saluran bahan bakar, tangki, tutup tangki, dan sambungan-sambungan untuk melihat apakah ada keretakan atau kebocoran. Ganti jika diperlukan.
- Jika bahan bakar tumpah, tunggu hingga tumpahannya menguap sebelum menstarter mesin.

Saat Menyalakan Mesin

- Pastikan bahwa busi, knalpot, tutup tangki, dan pembersih udara (jika dilengkapi) berada pada tempatnya dan terpasang dengan erat.
- Jangan menghidupkan mesin saat busi dilepas.
- Jika mesin mengalami banjir, setel cuk (jika dilengkapi) ke posisi OPEN / RUN, pindahkan trolol (jika dilengkapi) ke posisi FAST lalu putar sampai mesin menyala.

Saat Mengoperasikan Peralatan

- Jangan miringkan mesin atau peralatan, sehingga menyebabkan bahan bakar tumpah.
- Jangan menggunakan cuk karburator untuk menghentikan mesin.
- Jangan starter atau operasikan mesin dengan pembersih udara yang terpasang (jika dilengkapi) atau filter udara (jika dilengkapi) yang dilepas.

Saat Mengganti Oli

- Jika Anda menguras oli dari tabung pengisian oli atas, tangki bahan bakar harus kosong, karena bila tidak, bahan bakar bisa bocor keluar dan menimbulkan kebakaran atau ledakan.

Saat Memiringkan Unit untuk Perawatan

- Saat melakukan perawatan yang mengharuskan agar unit dimiringkan, tangki bahan bakar, jika terpasang pada mesin, harus kosong karena bila tidak, bahan bakar bisa bocor keluar dan mengakibatkan kebakaran atau ledakan.

Saat Mengangkut Peralatan

- Angkut dengan tangki bahan bakar KOSONG atau katup penutup bahan bakar pada posisi TERTUTUP.

Saat Menyimpan Bahan Bakar Atau Peralatan Dengan Bahan Bakar di Tangki

- Jauhkan peralatan dari tungku, kompor, alat pemanas air, atau perangkat lainnya yang dilengkapi lampu pilot maupun sumber penyalan lainnya karena dapat menyalakan uap bahan bakar.



PERINGATAN

Menstarter mesin akan menghasilkan bunga api.

Bunga api dapat memantik gas yang mudah terbakar di dekatnya.

Ledakan dan kebakaran bisa terjadi.

- Jika terdapat kebocoran gas alam atau LP di suatu area, jangan menstarter mesin.
- Jangan menggunakan cairan starter bertekanan karena uapnya mudah terbakar.



PERINGATAN

BAHAYA GAS BERACUN. Gas buang mesin mengandung karbon monoksida, suatu gas beracun yang bisa membunuh Anda dalam beberapa menit. Anda **TIDAK DAPAT** melihatnya, menciumnya, atau merasakannya. Meskipun Anda tidak mencium asap gas buang, Anda masih bisa terpapar gas karbon monoksida. Jika Anda mulai merasa sakit, pusing, atau lemah saat menggunakan produk ini, **SEGERA** cari udara segar. Kunjungi dokter. Anda mungkin keracunan karbon monoksida.

- Operasikan produk ini **HANYA** jika berada di luar ruangan, jauh dari jendela, pintu, dan ventilasi untuk mengurangi risiko akumulasi gas karbon monoksida yang berpotensi masuk ke dalam ruang hunian manusia.
- Pasanglah alarm karbon monoksida bertenaga baterai atau sambungkan alarm karbon monoksida ke stopkontak listrik dengan baterai cadangan berdasarkan petunjuk produsen. Alarm asap tidak dapat mendeteksi gas karbon monoksida.

- **JANGAN** mengoperasikan produk ini di dalam rumah, garasi, ruang bawah tanah, kolong, gudang, atau ruang yang tertutup sebagian lainnya, bahkan dengan kipas angin atau pintu dan jendela yang terbuka sebagai ventilasi. Karbon monoksida dapat terkumpul dengan cepat di berbagai tempat tersebut dan bertahan selama berjam-jam, bahkan setelah produk ini dimatikan.
- **SELALU** letakkan produk ini sesuai arah angin dan posisikan saluran gas buang mesin menjauh dari tempat hunian manusia.



PERINGATAN

Kembalinya tali starter secara cepat (hentakan balik) akan menarik tangan dan lengan ke arah mesin lebih cepat dari saat Anda melepaskannya.

Hal tersebut bisa mengakibatkan patah tulang, keretakan tulang, memar atau keseleo.

- Saat menstarter mesin, tarik tali starter perlahan-lahan sampai dirasakan tertahan dan kemudian tarik dengan cepat untuk menghindari hentakan balik.
- Lepas semua beban peralatan/ mesin eksternal sebelum menstarter mesin.
- Komponen peralatan yang digabungkan langsung seperti, namun tidak terbatas pada, pisau, impeker, puli, sproket, dsb, harus terpasang dengan kuat.



PERINGATAN

Komponen yang berputar bisa mengenai atau menjerat tangan, kaki, rambut, pakaian, atau aksesoris.

Amputasi traumatik atau laserasi berat dapat terjadi.

- Operasikan peralatan dengan pelindung terpasang di tempatnya.
- Jauhkan tangan dan kaki dari komponen yang berputar.
- Ikat rambut yang panjang dan lepas perhiasan.
- Jangan mengenakan pakaian yang longgar, tali celana yang menggantung atau benda-benda yang bisa tersambar.



PERINGATAN

Menjalankan mesin akan menghasilkan panas. Bagian mesin, terutama knalpot, menjadi sangat panas.

Luka bakar yang parah dapat terjadi bila menyentuhnya.

Kotoran yang mudah terbakar, seperti daun, rumput, semak, dsb. dapat tersambar api.

- Biarkan knalpot, silinder mesin, dan sirip mendingin sebelum menyentuhnya.
- Bersihkan tumpukan kotoran dari bagian knalpot dan bagian silinder.
- Merupakan pelanggaran California Public Resource Code, Pasal 4442, jika menggunakan atau mengoperasikan mesin di lahan yang tertutup hutan, tertutup semak, atau tertutup rumput kecuali sistem pembuangannya dilengkapi dengan pelindung percikan (spark arrester), sebagaimana disebutkan dalam Pasal 4442, yang dirawat dan dapat bekerja dengan baik. Yurisdiksi federal atau negara bagian lainnya mungkin memiliki undang-undang serupa. Hubungi produsen peralatan asli, peritel, atau dealer untuk memperoleh spark arrester yang dirancang untuk sistem pembuangan yang dipasang pada mesin ini.



PERINGATAN

Pemantikan bunga api secara tidak sengaja dapat menyebabkan kebakaran atau sengatan listrik.

Penstarteran yang terjadi secara tidak disengaja dapat mengakibatkan belitan, amputasi traumatik, atau laserasi.

Bahaya kebakaran

Sebelum melakukan penyesuaian atau perbaikan:

- Lepas kabel busi dan jauhkan dari busi.
- Lepas terminal negatif baterai (hanya pada mesin dengan starter elektrik.)
- Gunakan hanya alat yang benar.
- Jangan utak-atik pegas governor, persambungan, atau komponen lainnya untuk menambah kecepatan mesin.

- Komponen pengganti harus sama dan dipasang pada posisi yang sama seperti komponen asli. Komponen lain juga mungkin tidak akan berfungsi dengan baik, bisa merusak unit, dan dapat mengakibatkan cedera.
- Jangan membenturkan roda gila dengan palu atau benda yang keras karena roda gila bisa pecah selama pengoperasian berlangsung.

Saat menguji percikan api:

- Gunakan tester busi yang disetujui.
- Jangan periksa cetusan listrik saat busi dilepas.

Fitur dan Kontrol










Kontrol Mesin

Bandingkan Ilustrasi (Gambar: 1, 2, 3, 4) dengan mesin Anda untuk memahami lokasi berbagai fitur dan kontrol.

- A. Nomor Identifikasi Mesin **Model - Tipe - Kode**
- B. Busi
- C. Tangki Bahan Bakar dan Tutup Tangki
- D. Pembersih Udara
- E. Gagang Kabel Starter
- F. Pengisi dan Pengukur Oli
- G. Penyumbat Oli
- H. Knalpot, Pelindung Knalpot (jika dilengkapi), Penahan Percikan Api (jika dilengkapi)
- I. Kontrol Cuk
- J. Kontrol Trotel (jika dilengkapi)
- K. TransportGuard™ - Tuas Bahan Bakar dan Pengapian
- L. Gril Saluran Masuk Udara
- M. Unit Gigi Reduksi (jika dilengkapi)
- N. Sakelar Stop (jika dilengkapi)
- O. Sakelar Starter Listrik, (jika dilengkapi) ¹

¹ Beberapa mesin dan peralatan memiliki kendali jarak jauh. Lihat manual peralatan untuk mengetahui mencari lokasi dan pengoperasian jarak jauh.

Simbol Kontrol Mesin dan Artinya

Simbol	Arti	Simbol	Arti
	Kecepatan mesin - CEPAT		Kecepatan mesin - LAMBAT
	Kecepatan mesin - STOP		NYALA - MATI
	Mesin start - Cuk CLOSED		Mesin start - Cuk OPEN
	Tutup Bahan Bakar Penutup Bahan Bakar - BUKA		Penutup Bahan Bakar - TUTUP
	Level bahan bakar - Maksimum Jangan mengisi terlalu penuh		

Operasi

Rekomendasi Oli

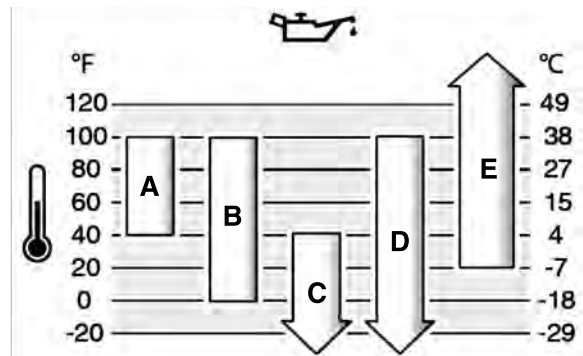
Kapasitas Oli: Lihat *bagian* Spesifikasi.

PEMBERITAHUAN

Mesin ini dikirim dari Briggs & Stratton tanpa oli. Pabrik peralatan atau dealer mungkin telah menambahkan oli pada mesin. Sebelum menstarter mesin untuk pertama kali, pastikan Anda memeriksa level oli dan menambahkan oli sesuai dengan petunjuk dalam panduan ini. Jika Anda menstarter mesin tanpa oli, mesin akan rusak secara permanen dan tidak akan ditanggung oleh garansi.

Kami menyarankan Anda agar menggunakan Oli Resmi Bergaransi Briggs & Stratton untuk mendapatkan performa terbaik. Oli deterjen berkualitas tinggi lainnya dapat digunakan jika tergolong untuk servis SF, SG, SH, SJ atau yang lebih tinggi. Jangan gunakan bahan aditif khusus.

Suhu luar ruangan menentukan viskositas oli yang tepat untuk mesin. Gunakan bagan berikut untuk memilih viskositas terbaik untuk perkiraan kisaran suhu luar ruangan. Mesin pada peralatan daya luar ruangan bekerja baik dengan Oli Sintetis 5W-30. Untuk peralatan yang dioperasikan pada suhu panas, Oli Sintetis Vanguard™ 15W-50 memberikan perlindungan yang terbaik.



A	SAE 30 - Pada suhu di bawah 40°F (4°C), penggunaan oli SAE 30 akan mengakibatkan penstarteran yang sulit.
B	10W-30 - Pada suhu di atas 80°F (27°C), penggunaan oli 10W-30 dapat menyebabkan bertambahnya konsumsi oli. Periksa level oli secara lebih sering.
C	5W-30
D	Sintetis 5W-30
E	Sintetis 15W-50 Vanguard™

Periksa Tingkat Oli

Lihat Gambar 5

Sebelum menambahkan atau memeriksa oli

- Pastikan kualitas mesin.
- Bersihkan daerah pengisian oli dari runtunan apapun.

1. Lepaskan batang celup (A, Gambar 5) dan bersihkan dengan kain bersih.
2. Pasang batang celup (A, Gambar 5). **Jangan putar atau kencangkan.**
3. Lepaskan batang celup dan periksa tingkat oli. Tingkat oli yang benar adalah di bagian atas indicator yang penuh ((B, Gambar 5) pada batang celup.
4. Jika tingkat oli rendah, tambahkan oli ke dalam mesin perlahan-lahan (C, Gambar 5). Isi sampai meluap.
5. Pasang kembali dan kencangkan batang celup (A, Gambar 5).

Sistem Perlindungan Minyak Rendah (jika dilengkapi)

Beberapa mesin dilengkapi dengan sensor minyak rendah. Jika tingkat minyak rendah, maka sensor akan mengaktifkan lampu peringatan atau menghentikan mesinnya. Matikan mesin dan ikuti langkah-langkah berikut sebelum menyalakan kembali mesin.

- Pastikan kualitas mesin.
- Periksa tingkat minyak. Lihat *bagian* Pemeriksaan Tingkat Minyak.
- Jika tingkat minyak rendah, tambahkan jumlah minyak yang semestinya. Nyalakan mesin dan pastikan lampu peringatan (jika dilengkapi) tidak diaktifkan.

- Jika tingkat minyak tidak rendah, jangan menyalakan mesin. Hubungi Distributor Resmi Briggs & Stratton untuk memperbaiki masalah tingkat minyak.

Rekomendasi Bahan Bakar

Bahan bakar harus memenuhi persyaratan ini:

- Bensin yang bersih, segar, dan tanpa timbal.
- Oktan minimum 87/87 AKI (91 RON). Penggunaan di tempat tinggi, lihat di bawah.
- Bensin dengan kandungan hingga 10% etanol (gasohol) dapat diterima.

PEMBERITAHUAN Jangan gunakan bensin yang tidak disetujui, seperti E15 dan E85. Jangan mencampurkan oli ke dalam bensin atau memodifikasi mesin untuk berjalan dengan bahan bakar lain. Penggunaan bahan bakar yang tidak disetujui akan merusak komponen mesin, yang tidak akan ditanggung dalam garansi.

Untuk melindungi sistem bahan bakar dari pembentukan ampas, campurkan stabilisator bahan bakar ke dalam bahan bakar. Lihat **Penyimpanan**. Tidak semua bahan bakar sama. Jika mesin sulit dihidupkan atau performanya buruk, ganti penyedia bahan bakar atau ganti merek bahan bakar. Mesin ini disertifikasi untuk beroperasi menggunakan bensin. Sistem kontrol emisi untuk mesin ini adalah EM (Engine Modifications [Modifikasi Mesin]).

Ketinggian tinggi

Di ketinggian lebih dari 5000 kaki (1524 meter), bahan bakar minyak minimal 85oktan/85 AKI (89 RON) dapat diterima.

Untuk mesin karburator, pengaturan ketinggian diperlukan untuk menjaga kinerja kerja. Aktivitas tanpa pengaturan ketinggian dapat menyebabkan kinerja kerja menurun, peningkatan konsumsi bahan bakar, dan peningkatan emisi/gas buang. Hubungi Distributor Resmi Briggs & Stratton untuk informasi tentang pengaturan ketinggian. Aktivitas mesin di bawah ketinggian 2500 kaki (762 meter) tidak dianjurkan menggunakan pengaturan ketinggian.

Untuk mesin yang menggunakan Injeksi Bahan Bakar Elektronik (IBBE) tidak memerlukan pengaturan ketinggian.

Mengisi bahan bakar

Lihat Gambar: 6



PERINGATAN

Uap bahan bakar merupakan bahan mudah terbakar dan meledak.

Kebakaran atau ledakan dapat menyebabkan luka bakar berat atau kematian.

Ketika mengisi bahan bakar

- Matikan mesin dan biarkan mesin dingin selama kurang lebih 2 menit sebelum membuka tutup bahan bakar.
 - Isi tangki bahan bakar di luar ruangan atau di tempat berventilasi baik.
 - Jangan memenuhi sampai melimpahi tangki bahan bakar. Untuk memungkinkan terjadinya ekspansi bahan bakar, jangan mengisi lebih dari leher tangki bagian bawah.
 - Jauhkan bahan bakar dari percikan api, nyala api, lampu senter, panas, dan sumber api lainnya.
 - Periksa saluran, tangki, tutup bahan bakar, dan peralatan yang digunakan sesering mungkin untuk menghindari retak atau kebocoran. Ganti dengan yang baru bila perlu.
 - Bila bahan bakar tumpah, tunggu sampai menguap sebelum menyalakan mesin.
1. Bersihkan tutup bahan bakar dari kotoran dan serpihan-serpihan. Buka tutup bahan bakar.
 2. Isi tangki bahan bakar (A, Gambar 6) dengan bahan bakar. Untuk memungkinkan terjadinya ekspansi bahan bakar, jangan mengisi lebih dari leher tangki bagian bawah (B).
 3. Pasang kembali tutup bahan bakar.

Starter dan Matikan Mesin

Lihat Gambar: 7, 8

Nyalakan Mesin



PERINGATAN

Kembalinya tali starter secara cepat (hentakan balik) akan menarik tangan dan lengan ke arah mesin lebih cepat dari saat Anda melepaskannya.

Hal tersebut bisa mengakibatkan patah tulang, keretakan tulang, memar atau keseleo.

- Saat menstarter mesin, tarik tali starter perlahan-lahan sampai dirasakan tertahan dan kemudian tarik dengan cepat untuk menghindari hentakan balik.



PERINGATAN

Bahan bakar dan uapnya sangat mudah terbakar, dan meledak.

Kebakaran atau ledakan dapat menyebabkan luka bakar parah atau kematian.

Saat Menstarter Mesin

- Pastikan bahwa busi, knalpot, tutup tangki dan pembersih udara (jika dilengkapi) berada di tempatnya dan terpasang erat.
- Jangan mengengkol mesin dengan kondisi busi dilepas.
- Jika mesin banjir, setel cuk (jika dilengkapi) ke posisi OPEN atau RUN, pindahkan trotel (jika dilengkapi) ke posisi FAST lalu engkol sampai mesin menyala.



PERINGATAN

BAHAYA GAS BERACUN. Gas buang mesin mengandung karbon monoksida, yakni gas beracun yang dapat mematikan dalam hitungan menit. Anda TIDAK DAPAT melihatnya, menciumnya, atau merasakannya. Meskipun bau asap pembuangan tidak dapat tercium, Anda tetap dapat terkena gas karbon monoksida. Jika Anda mulai merasa sakit dan pusing, atau lemah saat menggunakan produk ini, matikan dan SEGERA cari udara segar. Kunjungi dokter. Anda mungkin telah keracunan karbon monoksida.

- Operasikan produk ini HANYA di luar ruangan, jauh dari jendela, pintu dan ventilasi untuk mengurangi risiko terkumpulnya gas karbon monoksida dan potensi terisap ke dalam ruangan tempat produk berada.
- Pasang alarm karbon monoksida yang dioperasikan menggunakan baterai atau pasang alarm karbon monoksida dengan pencadangan baterai sesuai dengan petunjuk produsen. Alarm asap tidak dapat mendeteksi gas karbon monoksida.
- JANGAN menjalankan produk ini di dalam rumah, garasi, ruang bawah tanah, kolong, gudang, atau ruang tertutup sebagian lainnya meskipun menggunakan kipas atau membuka pintu dan jendela untuk tujuan ventilasi. Karbon monoksida dapat terkumpul dengan cepat di dalam ruang-ruang tersebut dan tetap ada selama berjam-jam, meskipun produk ini telah dimatikan.
- SELALU posisikan produk ini berlawanan dengan arah angin dan arahkan gas buang mesin menjauhi ruangan di dekatnya.

PEMBERITAHUAN Mesin ini dikirim dari Briggs & Stratton tanpa diisi oli. Sebelum Anda menstarter mesin, pastikan Anda menambahkan oli sesuai dengan petunjuk di dalam panduan ini. Jika Anda menstarter mesin tanpa oli, akan menyebabkan kerusakan berat dan tidak akan ditanggung oleh garansi.

Perhatikan: Peralatan dapat memiliki kontrol jarak jauh. Lihat manual peralatan untuk mengetahui mencari lokasi dan pengoperasian jarak jauh.

1. Periksa oli mesin. Lihat bagian **Memeriksa Tingkat Oli**.
2. Pastikan kontrol penggerak peralatan, jika dilengkapi, dalam kondisi dinonaktifkan.
3. Pindahkan tuas bahan bakar atau pengapian (A, Gambar 7), jika dilengkapi, ke posisi on atau start.
4. Pindahkan kontrol trotel (B, Gambar 7), jika dilengkapi, ke posisi fast. Operasikan mesin pada posisi fast.
5. Pindahkan kontrol cuk (C, Gambar 7, 8) ke posisi closed.

Perhatikan: Cuk biasanya tidak diperlukan saat menstarter mesin panas.

6. Tekan sakelar stop (E, Gambar 8), jika dilengkapi, ke posisi on.
7. **Starter Putar Balik, jika dilengkapi:** Tahan kuat-kuat gagang kabel starter (D, Gambar 7, 8). Tarik gagang kabel starter perlahan-lahan sampai resistensi dirasakan, kemudian tarik cepat.



PERINGATAN

Kembalinya tali starter secara cepat (hentakan balik) akan menarik tangan dan lengan Anda ke arah mesin lebih cepat dari saat Anda melepaskannya. Hal tersebut bisa mengakibatkan patah tulang, keretakan tulang, memar atau keseleo. Saat menstarter mesin, tarik tali starter perlahan-lahan sampai dirasakan tertahan dan kemudian tarik dengan cepat untuk menghindari hentakan balik.

8. **Starter Elektrik, jika dilengkapi:** Putar sakelar starter listrik (F, Gambar 8) ke posisi on atau start.

PEMBERITAHUAN Untuk memperpanjang masa pakai starter, gunakan siklus penstarteran singkat (maksimum lima detik). Tunggu satu menit antar siklus penstarteran.

9. Setelah mesin panas, pindahkan kontrol cuk (C, Gambar 7, 8) ke posisi open.

Perhatikan: Jika mesin tidak menyala setelah upaya berulang, hubungi dealer setempat atau buka VanguardEngines.com atau hubungi **1-800-999-9333** (di AS).

Matikan Mesin



PERINGATAN

Bahan bakar dan uapnya sangat mudah terbakar, dan meledak.

Kebakaran atau ledakan dapat menyebabkan luka bakar parah atau kematian.

- Jangan menggunakan cuk karburator untuk menghentikan mesin.
1. **Sakelar Stop, jika dilengkapi:** Gerakkan sakelar stop (E, Gambar 8) ke posisi stop. **Tuas bahan bakar dan pengapian, jika dilengkapi:** Gerakkan tuas bahan bakar/pengapian (A, Gambar 7) ke posisi off atau stop.
 2. **Starter Elektrik, jika dilengkapi:** Lepaskan kunci. Jauhkan kunci dari anak-anak.

Pemeliharaan

PEMBERITAHUAN Jika mesin disentuh selama pemeliharaan, maka tangki bahan bakar, yang terpasang pada mesin, harus dalam keadaan kosong dan busi harus menghadap ke atas. Jika tangki bahan bakar tidak kosong dan mesin disentuh di arah yang lain, kemungkinan mesin akan sulit menyala karena oli atau bensin akan mencemari penyaring udara dan busi.



PERINGATAN

Ketika melakukan pemeliharaan yang memerlukan bagian yang disentuh, maka tangki bahan bakar, yang terpasang pada mesin, harus dalam keadaan kosong atau bahan bakar akan bocor dan dapat menyebabkan kebakaran atau ledakan.

Kami menyarankan Anda untuk datang ke Distributor Resmi Briggs & Stratton di mana saja untuk semua pemeliharaan and layanan mesin dan bagian-bagian mesin.

PEMBERITAHUAN All the components used to build this engine must remain in place for proper operation.



PERINGATAN

Percikan api yang tidak disengaja dapat menyebabkan kebakaran atau sengatan listrik.

Start-up yang tidak disengaja dapat menyebabkan lilitan, amputasi traumatik, atau luka kulit yang dalam.

Bahaya kebakaran

Sebelum melakukan pengaturan atau perbaikan:

- Lepaskan kabel busi dan jauhkan dari busi.
- Lepaskan baterai terminal negative (hanya mesin dengan tenaga listrik.)
- Gunakan hanya dengan alat-alat yang benar.
- Jangan mengutak-atik alat pengatur, sambungan atau bagian-bagian lain untuk meningkatkan kecepatan mesin.
- Bagian-bagian yang diganti harus mempunyai desain yang sama dan dipasang di tempat yang sama seperti semula. Bagian-bagian lainnya yang mungkin tidak bekerja juga, dapat merusak unit tersebut, dan dapat menyebabkan cedera.
- Jangan benturkan roda gila dengan palu atau benda keras karena roda gila nantinya bisa pecah selama aktivitas.

Ketika menguji percikan listrik:

- Gunakan tester busi yang telah disetujui.
- Jangan memeriksa percikan api dari busi yang sudah dilepas.

Servis Kontrol Emisi

Perawatan, penggantian, atau perbaikan perangkat dan sistem kontrol emisi dapat dilakukan oleh lembaga atau individu reparasi mesin off-road. Namun, untuk mendapatkan servis kontrol emisi "tanpa biaya", pekerjaan harus dilakukan oleh dealer resmi pabrik. Lihat Pernyataan Kontrol Emisi.

Jadwal Pemeliharaan

5 Jam pertama
<ul style="list-style-type: none">• Ganti Oli
Setiap 8 Jam atau Setiap hari
<ul style="list-style-type: none">• Periksa level oli mesin.• Bersihkan daerah sekitar knalpot dan kontrol• Bersihkan Kisi-kisi Masuk Udara
Setiap 25 Jam atau Setiap tahun
<ul style="list-style-type: none">• Bersihkan filter udara ¹• Bersihkan saringan awal udara ¹
Setiap 50 Jam atau Setiap tahun
<ul style="list-style-type: none">• Ganti oli mesin• Servis sistem pembuangan
Setiap 100 Jam
<ul style="list-style-type: none">• Ganti oli gigi reduksi (jika dilengkapi)
Setiap tahun
<ul style="list-style-type: none">• Ganti busi• Ganti filter udara• Ganti saringan udara awal• Servis sistem bahan bakar• Servis sistem pendinginan ¹• Periksa celah katup ²

¹ Bersihkan sesering mungkin bila dalam kondisi berdebu atau ada serpihan dari udara.

² Tidak diperlukan kecuali ditemukan masalah performa mesin.

Karburator dan Kecepatan Mesin

Jangan sekali-kali melakukan penyetelan pada karburator atau kecepatan mesin. Karburator sudah disetel dari pabriknya untuk bekerja secara efisien dalam kebanyakan kondisi. Jangan mengubah-ubah pegas governor, penghubung, atau komponen lain untuk mengubah kecepatan mesin. Jika penyesuaian perlu dilakukan, hubungi Dealer Servis Resmi Briggs & Stratton untuk diservis.

PEMBERITAHUAN Produsen alat menentukan kecepatan maksimum untuk mesin saat dipasang pada alat. **Jangan melampaui** kecepatan ini. Jika Anda tidak yakin berapa kecepatan maksimum mesin, atau berapa kecepatan mesin yang disetel dari pabriknya, hubungi Dealer Servis Resmi Briggs & Stratton untuk mendapatkan bantuan. Untuk pengoperasian alat secara aman dan benar, kecepatan mesin harus disesuaikan hanya oleh teknisi servis yang berkualifikasi.

Layanan Busi

Lihat Gambar: 9

Periksa gap/sela (A, Gambar 9) dengan sebuah kawat pengukur (B). Jika perlu, pasang ulang gap/sela. Pasang dan kencangkan busi dengan torsi yang direkomendasikan. Untuk pengaturan gap/sela atau torsi, lihat **bagianspesifikasi**.

Perhatikan: Di beberapa tempat, hukum setempat mengharuskan penggunaan busi resistor untuk meredam sinyal pengapian. Jika pada awalnya mesin ini dilengkapi dengan sebuah busi resistor, maka gunakan jenis busi yang sama untuk penggantian.

Layanan Sistem Pembuangan



PERINGATAN

Menjalankan mesin yang menghasilkan panas. Bagian-bagian mesin, khususnya peredam suara, menjadi sangat panas.

Luka bakar parah dapat terjadi dari kontak langsung.

Peruntukan yang mudah terbakar, seperti daun, rumput, sikat, dan lain-lain dapat menimbulkan kebakaran.

- Biarkan peredam suara, mesin silinder dan sirip menjadi dingin sebelum Anda menyentuhnya.
- Bersihkan kumpulan serpihan di sekitar peredam suara dan silinder.
- Penggunaan atau pengoperasian mesin di hutan, di semak-semak, atau di daerah rumput dianggap suatu pelanggaran dari Undang-Undang Sumberdaya Publik di California, Pasal 4442, kecuali sistem pembuangan mesinnya dilengkapi dengan pelindung percikan, seperti yang ditetapkan pada Pasal 4442, dan dilakukan dengan sistem kerja yang efektif. Negara-negara bagian lainnya atau pemerintah federal mungkin memiliki sistem hukum yang sama. Hubungi produsen, pengecer, atau distributor dari peralatan tersebut untuk mendapatkan pelindung percikan yang berfungsi sebagai sistem pembuangan mesin ini.

Bersihkan kumpulan serpihan di sekitar peredam suara dan silinder. Periksa peredam suara jika ada retak, korosi, atau kerusakan lainnya. Lepaskan pembias atau pelindung percikan, jika dilengkapi, dan periksa jika ada kerusakan atau penyumbatan karbon. Jika menemukan kerusakan, pasang penggantinya sebelum menjalankan mesin.



PERINGATAN

Penggantian suku cadang harus mempunyai desain yang sama dan terpasang pada posisi yang sama seperti semula. Suku cadang lain yang tidak berfungsi dengan baik, akan dapat merusak bagian tersebut, dan mengakibatkan cedera.

Ganti Oli Mesin

Lihat Gambar: 10, 11

Oli bekas adalah produk limbah berbahaya dan harus dibuang dengan benar. Jangan dibuang bersamaan dengan sampah rumah tangga. Hubungi pihak berwenang, pusat layanan, atau distributor terdekat untuk fasilitas pembuangan/daur ulang yang aman.

Pindahkan Oli

1. Ketika mesin mati tapi masih panas, cabut kawat busi (D, Gambar 10) dan jauhkan dari busi (E).
2. Lepaskan batang celup (A, Gambar 11).
3. Lepaskan penyumbat oli (F, Gambar 11). Pindahkan oli ke tempat yang sudah ditentukan.

Perhatikan: Berbagai penyumbat oli (G, Gambar 11) dapat dipasang di mesin.

4. Setelah oli dipindahkan, pasang dan kencangkan penyumbat oli (F, Gambar 11).

Tambahkan Oli

- Pastikan level mesin.
- Bersihkan daerah pengisian oli dari runtuhan apapun.
- Lihat bagian *Spesifikasi* untuk kapasitas oli.

1. Lepaskan batang celup (A, Gambar 11) dan bersihkan dengan kain bersih.
2. Tuangkan oli perlahan-lahan ke dalam lubang pengisian oli (C, Gambar 11). Isi hingga titik luapan.
3. Pasang batang celup (A, Gambar 11). **Jangan putar atau kencangkan.**
4. Lepaskan batang celup dan periksa level oli. Level oli yang baik adalah berada di bagian atas dari indikator penuh (B, Gambar 11) dari batang celup.
5. Pasang kembali dan kencangkan batang celup (A, Gambar 11).
6. Sambungkan kawat busi (D, Gambar 10) ke busi (E).

Ganti Oli Gigi Reduksi

Lihat Gambar: 12, 13

6:1 Gigi Reduksi (Gambar 12)

Jika mesin Anda dilengkapi dengan unit gigi reduksi 6:1, lakukan servis seperti berikut:

1. Lepaskan penyumbat pengisi oli (A, Gambar 12) dan penyumbat tingkat oli (B).
2. Lepaskan penyumbat penguras oli (C, Gambar 12) dan kuras oli ke dalam wadah yang tepat.
3. Pasang kembali dan kencangkan penyumbat penguras oli (C, Gambar 12).
4. Untuk mengisi ulang, tuang perlahan pelumas gigi (lihat bagian *Spesifikasi*) ke dalam lubang pengisi oli (D, Gambar 12). Terus tuang hingga oli keluar dari lubang tingkat oli (E).
5. Pasang kembali dan kencangkan penyumbat tingkat oli (B, Gambar 12).

6. Pasang kembali dan kencangkan penyumbat pengisi oli (A, Gambar 12).

Perhatikan: Penyumbat pengisi oli (A, Gambar 12) memiliki lubang ventilasi (F) dan harus dipasang di atas penutup kotak gigi seperti pada gambar.

2:1 Gigi Reduksi (Gambar 13)

Unit 2:1 gigi reduksi (G, Gambar 13) tidak memerlukan penggantian oli.

Servis Filter Udara

Lihat Gambar: 14, 15, 16



Bahan bakar dan uapnya sangat mudah terbakar, dan meledak.

Kebakaran atau ledakan dapat menyebabkan luka bakar parah atau kematian.

- Jangan menghidupkan dan menjalankan mesin tanpa memasang pembersih udara (jika dilengkapi) atau filter udara (jika dilengkapi).

PEMBERITAHUAN Jangan menggunakan udara bertekanan atau bahan pelarut untuk membersihkan filter. Udara bertekanan dapat merusak filter dan bahan pelarut dapat larut dalam filter.

Lihat *Jadwal Pemeliharaan* untuk persyaratan servis.

Beragam model menggunakan filter busa atau kertas. Beberapa model juga mempunyai saringan awal udara yang bisa dibersihkan dan digunakan kembali. Berikut perbandingan gambaran pada buku panduan ini dengan jenis yang dipasang di mesin dan servis anda.

Filter Udara Busa

1. Kendurkan pengunci (A, Gambar 14).
2. Lepaskan penutup (B, Gambar 14).
3. Lepaskan pengencang (D, Gambar 14) dan cincin penutup (E).
4. Untuk mencegah reruntuhan jatuh ke karburator, maka keluarkan elemen busa dengan hati-hati (C, Gambar 14) dari pusat filter udara (G).
5. Lepaskan tutup pendukung (F, Gambar 14) dari elemen busa (C).
6. Bersihkan elemen busa (C, Gambar 14) dalam air yang berisi cairan deterjen. Remas elemen busa hingga kering dengan kain bersih.
7. Rendam elemen busa (C, Gambar 14) dengan oli mesin yang bersih. Untuk menghilangkan kelebihan oli mesin, remas elemen busa dengan kain bersih.
8. Masukkan tutup pendukung (F, Gambar 14) ke dalam elemen busa (C).
9. Pasang elemen busa (C, Gambar 14) ke pusat filter udara (G) dan ke dalam kunci (H). Pastikan elemen busa dirakit dengan benar ke pusat filter udara dan kencangkan dengan cincin penutup (E) dan pengencang (D).
10. Pasang penutup (B, Gambar 14) dan kencangkan dengan pengunci (A). Pastikan pengunci kencang.

Filter Udara Kertas

1. Kendurkan pengunci (A, Gambar 15).
2. Lepaskan penutup (B, Gambar 15).
3. Lepaskan pengencang (E, Gambar 15).
4. Untuk mencegah reruntuhan jatuh ke karburator, maka keluarkan dengan hati-hati saringan awal udara (D, Gambar 15), jika dilengkapi, dan filter (C) dari pusat filter udara (F).
5. Untuk menghilangkan reruntuhan, tekan filter dengan hati-hati (C, Gambar 15) di permukaan yang keras. Jika filter sangat kotor, ganti dengan filter baru.
6. Lepaskan saringan awal udara (D, Gambar 15), jika dilengkapi, dari filter (C).
7. Bersihkan saringan awal udara (D, Gambar 15) dalam air yang diberi cairan deterjen. Biarkan saringan awal udara benar-benar kering. **Jangan beri oli** pada saringan awal udara.
8. Pasang saringan awal udara yang kering (D, Gambar 15), jika dilengkapi, pada filter (C).
9. Pasang seal washer (H, Gambar 15), filter (C), dan saringan awal udara (D) ke dalam pusat filter udara (F) dan ke dalam kancing (G). Pastikan filter dirakit dengan benar ke pusat filter udara dan kencangkan dengan pengencang (E).
10. Pasang penutup (B, Gambar 15) dan kencangkan dengan pengunci (A). Pastikan pengunci kencang.

Filter Udara Kertas

1. Kendurkan pengunci (D, Gambar 16).
2. Lepaskan penutup (A, Gambar 16).
3. Lepaskan saringan awal udara (C, Gambar 16), jika dilengkapi, dan filter (B).
4. Untuk menghilangkan reruntuhan, tekan filter dengan hati-hati (B, Gambar 16) di permukaan yang keras. Jika filter sangat kotor, ganti dengan filter baru.
5. Bersihkan saringan awal udara (C, Gambar 16), jika dilengkapi, dalam air yang diberi cairan deterjen. Biarkan saringan awal udara benar-benar kering. **Jangan** oli pada saringan awal udara.
6. Pasang saringan awal udara kering (C, Gambar 16), jika dilengkapi, dan filter (B).
7. Pasang penutup (A, Gambar 16) dan kencangkan dengan pengunci (D). Pastikan pengunci kencang.

Servis Sistem Bahan Bakar

Lihat Gambar: 17, 18



PERINGATAN

Bahan bakar dan uapnya sangat mudah terbakar, dan meledak.

Kebakaran atau ledakan dapat menyebabkan luka bakar parah atau kematian.

- Jauhkan bahan bakar dari percikan api, nyala api, lampu penunjuk, panas, dan sumber pemicu lainnya.
- Sesekali periksa saluran bahan bakar, tangki, tutup tangki, dan sambungan-sambungan untuk melihat apakah ada keretakan atau kebocoran. Ganti jika diperlukan.
- Sebelum membersihkan atau mengganti filter bahan bakar, kuras tangki bahan bakar atau tutup katup pemutus aliran bahan bakar.
- Jika bahan bakar tumpah, tunggu sampai menguap sebelum menstarter mesin.
- Komponen pengganti harus sama dan dipasang pada posisi yang sama seperti komponen asli.

Filter Bahan Bakar, jika dilengkapi

1. Sebelum membersihkan atau mengganti filter bahan bakar (A, Gambar 17), kuras tangki bahan bakar atau tutup katup pemutus aliran bahan bakar. Karena bila tidak, bahan bakar bisa bocor keluar dan menyebabkan kebakaran atau ledakan.
2. Gunakan tang untuk memuntir tab (B, Gambar 17) pada klem (C), dan kemudian geser klem menjauhi filter bahan bakar (A). Puntir dan tarik saluran bahan bakar (D) keluar dari filter bahan bakar.
3. Periksa saluran bahan bakar (D, Gambar 17) apakah ada keretakan atau kebocoran. Ganti jika diperlukan.
4. Ganti filter bahan bakar (A, Gambar 17) dengan filter pengganti yang asli.
5. Kencangkan saluran bahan bakar (D, Gambar 17) menggunakan klem (C) seperti yang ditunjukkan.

Saringan Bahan Bakar, jika dilengkapi

1. Lepas tutup bahan bakar (A, Gambar 18).
2. Lepas tutup saringan bakar (B, Gambar 18).
3. Jika saringan bahan bakar kotor, bersihkan atau ganti. Jika Anda ganti saringan bahan bakar, pastikan untuk menggunakan saringan bahan bakar pengganti yang asli.

Layanan Sistem Pendingin



PERINGATAN

Menjalankan mesin yang menghasilkan panas. Bagian-bagian mesin, khususnya peredam suara, menjadi sangat panas.

Luka bakar parah dapat terjadi dari kontak langsung.

Reruntuhan yang mudah terbakar, seperti daun, rumput, sikat, dan lain-lain dapat menimbulkan kebakaran.

- Biarkan peredam suara, mesin silinder dan sirip menjadi dingin sebelum Anda menyentuhnya.
- Bersihkan kumpulan serpihan di sekitar peredam suara dan silinder.

PEMBERITAHUAN Jangan menggunakan air untuk membersihkan mesin. Air dapat mencemarkan sistem bahan bakar. Gunakan sikat atau kain bersih untuk membersihkan mesin.

Ini adalah mesin pendingin udara. Kotoran atau reruntuhan dapat menghalangi aliran udara dan menyebabkan mesin terlalu panas, sehingga menghasilkan kinerja yang buruk dan mengurangi umur mesin.

1. Gunakan sikat atau kain kering untuk menghilangkan reruntuhan dari udara masuk dari terali.
2. Jaga sambungan, per dan kontrol tetap bersih.
3. Menjaga agar daerah sekitar dan bagian belakang peredam suara, jika dilengkapi, bebas dari reruntuhan yang mudah terbakar.
4. Pastikan pendingin oli berbentuk sirip, jika dilengkapi, bebas dari kotoran dan serpihan.

Dalam jangka waktu tertentu, reruntuhan akan berkumpul dalam silinder pendingin oli dan menyebabkan mesin menjadi terlalu panas. Runtuhan ini bisa dihilangkan dengan membongkar sebagian dari mesin. Silakan datang ke Distributor Resmi Briggs & Stratton untuk memeriksakan dan membersihkan sistem pendingin udara Anda seperti yang direkomendasikan dalam **Jadwal Pemeliharaan**.

Ruang Penyimpanan



PERINGATAN

Bahan bakar dan uapnya sangat mudah terbakar, dan meledak.

Kebakaran atau ledakan dapat menyebabkan luka bakar yang parah atau kematian.

Saat Menyimpan Bahan Bakar Atau Peralatan Dengan Bahan Bakar Di Tangki

- Jauhkan peralatan dari tungku, kompor, alat pemanas air, atau perangkat lainnya yang dilengkapi lampu pilot maupun sumber penyalaan lainnya karena dapat menyalakan uap bahan bakar.

Sistem Bahan Bakar

Lihat Gambar: 19

Simpan mesin di tempat rata (posisi pengoperasian normal). Isi tangki bahan bakar (A, Gambar 19) dengan bahan bakar. Agar bahan bakar dapat menguap, jangan mengisi di atas leher tangki bahan bakar (B).

Bahan bakar bisa basi bila disimpan lebih dari 30 hari. Bahan bakar basi akan menyebabkan endapan asam dan gum terbentuk dalam sistem bahan bakar atau pada komponen utama karburator. Untuk menjaga bahan bakar tetap segar, gunakan **Pengolahan Bahan Bakar Formula Canggih & Penstabil Briggs & Stratton**, tersedia di semua tempat yang menjual suku cadang asli Briggs & Stratton.

Bensin tidak perlu dikuras dari mesin jika penstabil bahan bakar ditambahkan menurut petunjuk. Operasikan mesin selama dua (2) menit untuk mengedarkan bahan penstabil ke seluruh sistem bahan bakar sebelum mesin disimpan.

Jika bensin dalam mesin belum dicampur bahan penstabil bahan bakar, maka bensin harus dikuras ke wadah yang disarankan. Operasikan mesin hingga berhenti karena bahan bakar habis. Penggunaan penstabil bahan bakar dalam wadah penyimpanan sangatlah disarankan agar kualitasnya tetap terjaga.

Oli Mesin

Ketika mesin masih panas, gantilah oli mesin. Lihat **bagian** penggantian oli mesin.

Pemecahan Masalah

Untuk bantuan, hubungi dealer lokal Anda atau buka VanguardEngines.com atau hubungi 1-800-999-9333 (di AS).

Spesifikasi

Model: 130000	
Volume Langkah	12.48 ci (205 cc)
Lubang silinder	2.688 in (68,28 mm)
Langkah	2.200 in (55,88 mm)
Kapasitas Oli	20 - 22 oz (.59 - .65 L)
Tipe Oli Gigi Reduksi	80W-90

Model: 130000	
Kapasitas Oli Gigi Reduksi	4 oz (,12 L)
Celah Busi	.030 in (,76 mm)
Torsi Busi	180 lb-in (20 Nm)
Celah Udara Angker	.010 - .014 in (,25 - ,36 mm)
Kelonggaran Katup Isap	.004 - .006 in (,10 - ,15 mm)
Kelonggaran Katup Buang	.009 - .011 in (,23 - ,28 mm)

Model: 190000	
Volume Langkah	18.63 ci (305 cc)
Lubang silinder	3.120 in (79,24 mm)
Langkah	2.438 in (61,93 mm)
Kapasitas Oli	26 - 28 oz (,77 - ,83 L)
Tipe Oli Gigi Reduksi	SAE 30
Kapasitas Oli Gigi Reduksi	12 oz (,35 L)
Celah Busi	.030 in (,76 mm)
Torsi Busi	180 lb-in (20 Nm)
Celah Udara Angker	.010 - .014 in (,25 - ,36 mm)
Kelonggaran Katup Isap	.004 - .006 in (,10 - ,15 mm)
Kelonggaran Katup Buang	.004 - .006 in (,10 - ,15 mm)

Daya mesin akan menurun 3,5% untuk setiap 1.000 kaki (300 meter) di atas permukaan laut dan 1% untuk setiap 10 °F (5,6 °C) di atas 77 °F (25 °C). Mesin akan beroperasi secara memuaskan pada sudut hingga 15°. Lihat manual operator peralatan untuk batas pengoperasian aman yang diizinkan pada lereng.

Suku Cadang Servis - Model: 130000, 190000	
Servis Suku Cadang	Nomor Suku Cadang
Filter Udara Busa (Model 130000, Gambar 14)	797378
Filter Udara Kertas (Model 130000, Gambar 15)	797033
Saringan Awal Udara (Model 130000, Gambar 15)	798513
Filter Udara Kertas (Model 190000, Gambar 15)	797032
Saringan Awal Udara (Model 190000, Gambar 15)	798795
Filter Udara Kertas (Gambar 16)	474279
Saringan Awal Udara (Gambar 16)	491435S
Pengolahan Bahan Bakar Formula Canggih & Penstabil	100117, 100120
Busi Resistor	491055
Kunci Busi	19576, 5402
Penguji Busi	19368

Kami menyarankan agar Anda mengunjungi Dealer Servis Resmi Briggs & Stratton untuk semua pemeliharaan dan servis mesin dan komponen-komponen mesin.

Daya Penilaian: Daya Penilaian kotor dari model mesin berbahan bakar bensin diberi nama sesuai dengan lembaga standarisasi di bidang otomotif SAE (Society of Automotive Engineers) dengan kode J1940 Prosedur Penilaian Sumber Daya Mesin Kecil dan Energi/Torsi, dan dinilai sesuai dengan SAE J1995. Nilai sumber daya energi/torsi terdiri dari 2600 RPM untuk mesin dengan kode "rpm" di label dan 3060 RPM untuk jenis mesin lainnya; nilai tenaga kuda berasal dari 3600 RPM. Kurva daya kotor bisa dilihat di www.BRIGGSandSTRATTON.COM. Nilai daya murni diambil dari pembuangan dan pembersih udara yang dipasang sementara nilai daya kotor diambil tanpa adanya tambahan. Daya mesin kotor yang sebenarnya akan lebih tinggi dari daya mesin murni dan dipengaruhi, antara lain oleh kondisi operasi lingkungan dan variabilitas antar mesin. Mengingat berbagai macam produk mesin yang ada, mesin berbahan bakar bensin mungkin tidak bisa meningkatkan nilai daya kotor ketika digunakan di bagian tertentu suatu peralatan listrik. Perbedaan ini disebabkan berbagai faktor termasuk, tapi tidak terbatas pada, variasi komponen mesin (pembersih udara, pembuangan, pengisian, pendinginan, karburator, pompa bahan bakar, dll), keterbatasan aplikasi, kondisi lingkungan (temperature, kelembaban, ketinggian), dan variabilitas antar mesin. Karena keterbatasan produksi dan kapasitas, Briggs & Stratton dapat menggantikan mesin ini dengan mesin dengan daya nilai yang lebih tinggi.

Garansi

Garansi Mesin Briggs & Stratton

Berlaku Januari 2017

Garansi Terbatas

Briggs & Stratton menjamin bahwa selama masa jaminan yang ditetapkan di bawah, pihaknya akan memperbaiki atau mengganti, secara gratis, setiap komponen yang rusak terkait dengan bahan maupun pengerjaan atau keduanya. Biaya pengangkutan atas produk yang dikirim untuk diperbaiki atau diganti berdasarkan jaminan ini harus ditanggung oleh pembeli. Jaminan ini berlaku selama masa jaminan dan diatur berdasarkan ketentuan yang dinyatakan di bawah. Untuk servis garansi, Anda juga dapat menemukan Dealer Servis Resmi terdekat pada peta pencarian dealer kami di BRIGGSandSTRATTON.COM. Pembeli harus menghubungi Dealer Servis Resmi, dan kemudian mengirimkan produk ke Dealer Servis Resmi untuk diperiksa dan diuji.

Tidak ada garansi tertulis lainnya. Garansi tersirat, termasuk kelayakan untuk diperdagangkan dan kesesuaian untuk tujuan tertentu, terbatas pada periode garansi yang tercantum di bawah ini, atau sejauh diizinkan oleh hukum. Kewajiban kerusakan insidental atau tak sengaja dikecualikan sejauh diizinkan oleh hukum. Beberapa negara bagian atau negara tidak mengizinkan pembatasan atas masa berlakunya jaminan tersirat, serta beberapa negara bagian dan negara tidak mengizinkan pengecualian atau pembatasan atas kerusakan insidental maupun konsekuensial, sehingga pembatasan dan pengecualian di atas mungkin tidak berlaku bagi Anda. Garansi ini memberi Anda hak hukum spesifik dan Anda juga mungkin memiliki hak-hak lain yang berbeda-beda dari satu negara bagian ke negara bagian lain dan dari satu negara ke negara lainnya ⁴.

Ketentuan Garansi Standar 1, 2, 3

Merk / Nama Produk	Penggunaan Konsumen	Penggunaan Komersial
Vanguard™; Seri Komersial	36 bulan	36 bulan
Mesin Menggunakan Selongsong (Sleeve) Besi Tuang Dura-Bore™	24 bulan	12 bulan
Semua Mesin Lainnya	24 bulan	3 bulan

¹ Inilah ketentuan garansi standar kami, tetapi terkadang mungkin ada cakupan garansi tambahan yang belum ditentukan pada saat penerbitan. Mengenai daftar syarat garansi untuk mesin Anda, kunjungi BRIGGSandSTRATTON.com atau hubungi Dealer Resmi Briggs & Stratton Anda.

² Tidak ada garansi untuk mesin pada peralatan yang digunakan untuk pembangkit daya utama menggantikan jala-jala listrik atau untuk generator siaga yang digunakan untuk tujuan komersial. Mesin yang digunakan dalam balapan kompetitif atau pada trek komersial atau rental tidak dilindungi garansi.

³ Vanguard yang dipasang pada generator siaga: 24 bulan untuk penggunaan konsumen, tidak ada garansi untuk penggunaan komersial. Vanguard yang terpasang pada kendaraan utilitas: 24 bulan untuk penggunaan konsumen, 24 bulan untuk penggunaan komersial. Seri Komersial dengan tanggal produksi sebelum Juli 2017, 24 bulan penggunaan konsumen, 24 bulan penggunaan komersial.

⁴ Di Australia - Produk kami disertai garansi yang tidak dapat dikecualikan berdasarkan Undang-Undang Konsumen Australia. Anda berhak atas penggantian atau pengembalian uang atas kegagalan yang parah dan atas kompensasi untuk kerugian atau kerusakan lainnya yang dapat diperkirakan secara wajar. Anda juga berhak atas perbaikan atau penggantian produk jika produk tidak memenuhi kualitas yang dapat diterima dan kegagalannya tidak parah. Untuk layanan garansi, temukan Dealer Servis Resmi terdekat di peta pencarian dealer kami di BRIGGSandSTRATTON.COM, atau dengan menghubungi 1300 274 447, atau dengan mengirim surel atau menulis surat ke salesenquiries@briggsandstratton.com.au, Briggs & Stratton Australia Pty Ltd, 1 Moorebank Avenue, Moorebank, NSW, Australia, 2170.

Masa garansi dimulai pada tanggal awal pembelian oleh konsumen ritel atau komersial pertama. "Penggunaan Konsumen" berarti penggunaan di rumah tangga tempat tinggal pribadi oleh konsumen ritel. "Penggunaan komersial" berarti semua penggunaan lainnya, termasuk penggunaan untuk tujuan komersial, menghasilkan pendapatan, atau penyewaan. Setelah mesin diterapkan dalam penggunaan komersial, penggunaan selanjutnya akan dianggap sebagai penggunaan komersial untuk tujuan jaminan ini.

Simpan tanda bukti pembelian Anda. Jika Anda tidak memberikan bukti tanggal pembelian awal pada saat meminta layanan garansi, tanggal pembuatan produk akan digunakan untuk menentukan masa garansi. Registrasi produk tidak diperlukan untuk mendapat layanan garansi produk Briggs & Stratton.

Tentang Garansi Anda

Garansi terbatas ini mencakup hanya masalah bahan dan/atau pengerjaan terkait mesin, dan bukan penggantian atau pengembalian dana untuk peralatan tempat mesin mungkin dipasang. Perawatan rutin, penyeyaman, penyesuaian, atau keausan normal tidak tercakup dalam garansi ini. Selain itu, garansi tidak berlaku jika mesin telah diubah atau dimodifikasi atau jika nomor seri mesin telah dikaburkan atau dihilangkan. Garansi ini tidak mencakup kerusakan mesin atau masalah performa yang disebabkan oleh:

1. Penggunaan suku cadang yang bukan suku cadang asli Briggs & Stratton;
2. Pengoperasian mesin dengan oli pelumas yang tidak memadai, tercemar, atau memiliki grade tidak benar;
3. Penggunaan bahan bakar yang tercemar atau sudah basi, bensin yang diformulasi dengan etanol lebih dari 10% atau penggunaan bahan bakar alternatif seperti elpiji atau gas alam pada mesin yang tidak secara aslinya dirancang/dibuat oleh Briggs & Stratton untuk bekerja dengan bahan bakar tersebut;
4. Kotoran yang memasuki mesin akibat perawatan pembersih udara atau perakitan kembali yang tidak benar;
5. Menghantam benda dengan pisau pemotong mesin pemotong rumput rotari, adaptor pisau, baling-baling, atau perangkat lain yang tersambung ke poros engkol yang kendur atau terpasang tidak benar, atau kekencangan v-belt yang berlebihan;
6. Komponen atau rakitan yang terkait seperti kopling, transmisi, kontrol peralatan, dll., yang tidak dipasok oleh Briggs & Stratton;
7. Panas berlebihan akibat adanya cacahan rumput, tanah atau kotoran, atau sarang binatang pengerat yang menyumbat atau menyumpal sirip-sirip pendingin, atau area roda gila (flywheel) atau akibat mengoperasikan mesin tanpa ventilasi yang memadai;
8. Getaran berlebihan akibat kecepatan berlebih, dudukan mesin yang kendur, pisau atau baling-baling pemotong yang kendur atau tidak seimbang, atau penyambungan yang tidak benar atas komponen peralatan ke poros engkol;
9. Penyalahgunaan, kurangnya perawatan rutin, pengiriman, penanganan, atau pengangkutan peralatan, atau instalasi mesin yang tidak benar.

Servis garansi tersedia hanya melalui Dealer Servis Resmi Briggs & Stratton. Temukan Dealer Servis Resmi terdekat di peta pencarian dealer kami di BRIGGSandSTRATTON.COM atau dengan menghubungi 1-800-233-3723 (di AS).

80004537 (Rev.C)

Not for
Reproduction

本マニュアルには、エンジンに関連した危険とリスクその避け方について注意を促す安全情報を含みます。又、本マニュアルにはエンジンの正しい使用方法と手入れ方法についての指示が含まれます。Briggs & Stratton Corporationではエンジンがどのような器具に動力を与えるかが分からない場合もあるので、本指示と器具の指示との解釈と理解が重要です。将来的な参照の為に、この指示を保存して下さい。

注本マニュアル中の諸図については、参考の為に提供されるものであって、お持ちの特定のモデルと異なる場合があります。ご質問については最寄りのディーラーにご連絡ください。

交換部品および技術的にお手伝い可能な事について、下記にエンジン・モデル、タイプ、およびコード番号を購入期日と合わせてご記録下さい。これらの番号はお持ちのエンジンにあります(特色とコントロールの項目参照)。

購入期日	
エンジン・モデル - タイプ - トリム	
エンジン連番	

一部のエンジンでは二次元バーコードをお探下さい。二次元解読可能な装置で見ると、コードによりこの製品についてのサポート情報がある当社のウェブサイトが現れます。データの転送率が適用されます。一部の国ではオンラインのサポート情報の提供が無い可能性があります。



リサイクル情報

		全ての包装、使用済みオイル、バッテリーは適用される国の規定に従ってリサイクルして下さい。
--	--	--

運転者の安全

安全警告シンボルおよびシグナル・ワード

安全警告シンボル は人身傷害の起因となる危険についての安全情報を示します。シグナル・ワード(危険、警告、注意)は、警告シンボルと共に傷害の可能性および重篤性の可能性を示します。更に、危険シンボルは危険の種類を表すために利用可能です。

危険は、これが避けられなかった場合に、死亡あるいは重篤な傷害が生じる可能性を表します。

警告は、これが避けられなかった場合に、死亡あるいは重篤な傷害が生じる可能性を表します。

注意は、これが避けられなかった場合に、軽度あるいは中程度の障害が生じる可能性を表します。

注意は、商品に損傷が起きる可能性のある状況を表します。

危険記号および意味

記号	意味	記号	意味
	人が怪我をする可能性のある危険についての安全情報。		ユニットの運転およびサービスの前に操作者の説明書を読み、理解して下さい。
	火災の危険性		爆発の危険性

記号	意味	記号	意味
	ショックの危険性		有毒蒸気の危険性
	表面の高温による危険性		騒音の危険性 - 長期の使用の際は耳の保護を推奨します。
	飛翔物体の危険性 - 眼の保護をして下さい。		爆発の危険性
	凍傷の危険性		キックバックの危険性
	切断の危険性 - 動く部品		化学物質の危険性
	高温の危険性		腐食

安全のために



警告

本製品の特定の構成部品とその関連アクセサリは、カリフォルニア州において発がん、出生異常、その他の生殖的な害を及ぼすことが知られている化学物質を含みます。取扱いをした後で手を洗ってください。



警告

本製品のエンジン排気はカリフォルニア州において発がん、出生異常、その他の生殖への危害を及ぼすことが知られている化学物質を含みます。



警告

Briggs & Strattonエンジンは、ファンカート、ゴーカート、子供のリクリエーション用又はスポーツ用全地形対応車(ATV)、モーターバイク、ホバークラフト、飛行製品、もしくは、Briggs & Strattonが承認していない競争に使用する車両の動力として設計されたものではなく、また、この様な用途に使うことはできません。競走用車両向け製品についての情報は、www.briggsracing.comをご参照下さい。ユーザーリテラーでの使用やside-by-side ATV車での使用については、Briggs & Strattonエンジン・アプリケーションセンター(1-866-927-3349)へご連絡下さい。不適切なエンジンの使用法は深刻な傷害や死亡に繋がります。



警告

燃料及び燃料の気化ガスは非常に燃えやすく、爆発しやすくなっています。

火災または爆発は、重度の火傷や死亡事故の原因となるおそれがあります。

燃料を補給する場合

- エンジンを切り、燃料キャップを外す前に少なくとも2分間エンジンを冷やして下さい。
- 燃料タンクは屋外、或いは換気の良い場所で充填して下さい。
- 燃料タンクを過剰充填しないでください。燃料の膨張を許容するために、燃料タンクの首の底部より上に充填しないでください。
- 燃料は、スパーク、直火、パイロット・バーナー、熱、その他の引火の原因となるものから遠ざけてください。
- ひびや漏れがないか定期的に燃料ライン、タンク、キャップ、およびフィッティングを確認します。必要に応じて交換します。
- 燃料がこぼれた場合は、蒸発するまでエンジンの始動を待ってください。

エンジンをかける時

- ・ スパークプラグ、マフラー、燃料キャップおよびエアクリナー（装備されている場合）が適切に設置及び固定されていることを確認します。
- ・ スパークプラグを外した状態ではエンジンのクランクを回さないで下さい。
- ・ エンジンがガソリンを吸い込みすぎて点火しない場合は、（装備されている場合）チョークをOPEN/RUNの位置に設定し、（装備されている場合）スロットルをFASTの位置にしてエンジンが始動するまでクランクを回して下さい。

機器の操作時

- ・ 燃料がこぼれる角度まで、エンジンおよび器具を傾けないでください。
- ・ キャブレターを絞ったのエンジン停止は行わないで下さい。
- ・ エアクリナーアセンブリー（装備されている場合）やエアフィルター（装備されている場合）を外した状態で、エンジンを始動したり運転したりしないで下さい。

オイルを交換する時

- ・ 上部のオイル注入チューブからオイルを抜き取る場合は、燃料タンクは空でないことと燃料が漏れて火災や爆発を起こす可能性があります。

保守の為にユニットを傾ける場合

- ・ メンテナンスのために、器具やエンジンを傾ける必要がある際には、（エンジンに取り付けられている場合）燃料タンクが空でないことと燃料が漏れて火災や爆発を起こす可能性があります。

機器の輸送時

- ・ 燃料タンクを空にし、燃料遮断バルブをCLOSEDの位置にして運搬してください。

燃料またはタンクに燃料が入った機器の保管

- ・ 燃料の気化ガスに引火する可能性があるため、暖房炉、ストーブ、給湯器、その他のパイロット・ランプや着火源のある器具からは離して保管して下さい。



警告

エンジンの始動はスパークを起こします。

火花は近くのカスに引火する場合があります。

爆発や火事を引き起こす可能性があります。

- ・ 周辺で天然ガスやLPガスが漏れている場合、決してエンジンを起動しないで下さい。
- ・ 蒸気が可燃性のため、圧縮型の起動用液体は使用しないで下さい。



警告

毒性ガスの危険 エンジンの排気ガスには有毒な一酸化炭素が含まれ、吸うと数分で死に至る危険があります。一酸化炭素は透明、無味、無臭です。排気ガスの臭気を感じなくても一酸化炭素に晒されている危険があります。この製品の使用中に気分が悪くなったり、目眩がしたり、力が入らなくなったりしたら、直ちに運転を停止して、新鮮な空気にあたって下さい。医師の診察を受けて下さい。一酸化炭素中毒のおそれがあります。

- ・ 本製品は窓、戸口、換気口からは遠ざけて屋外でのみ使用し、一酸化炭素が蓄積して居住空間に吸い込まれる可能性が無いようにして下さい。
- ・ 電池式の一酸化炭素警報器、またはバッテリーバックアップを備えたプラグイン式一酸化炭素警報器をメーカーの説明書に従って取り付けしてください。火災報知機では一酸化炭素を検出できません。
- ・ たとえ換気のためにファンを使用している場合や扉や窓を開けている場合でも、本製品を屋内、車庫、地下室、床下、倉庫など、部分的に囲まれた場所では使用しないでください。このような場所では一酸化炭素は素早く蓄積され、たとえ本製品の使用を中止した後でも何時間もその場に残ります。
- ・ 本製品は必ず風下に設置し、エンジンの排気口は居住空間に向けしないでください。



警告

起動コードの急速な巻き戻し（キックバック）により、手を外すより早く、手や腕がエンジンの方へ引く張られることがあります。

骨折、挫傷、痣、捻挫の可能性あります。

- ・ エンジンの始動時には、抵抗を感じるまで起動用のコードをゆっくり引き、次に素早く引く事により反動を防ぎます。

- ・ エンジンを起動する前には、他の機器やエンジンロードは全て取り除いて下さい。
- ・ ブレード、インペラ、プーリ、スプロケット等の直接的に取り付けている機器部品はしっかりと固定されている必要があります。



警告

回転部分は、手、髪の毛、衣類、またはアクセサリに触れたりもつれたりする可能性があります。

この結果として外傷性切断や重症な裂傷が起きる可能性があります。

- ・ 保護具を使用して器具を運転して下さい。
- ・ 手足は回転部品から離れるようにして下さい。
- ・ 長い髪は結び、宝飾品類は取り外します。
- ・ 絡まる危険があるので、ゆるい衣類やひもが垂れる衣類は避けて下さい。



警告

運転中のエンジンは熱を発生します。特にマフラー等のエンジン部品は非常に熱くなります。

接触により、重篤な火傷をもたらす場合があります。

落ち葉、草、枝等の可燃のゴミに火が付く場合があります。

- ・ マフラー、エンジンシリンダー、冷却フィンに冷ましてから触れて下さい。
- ・ マフラーとシリンダー付近にたまったゴミを除去して下さい。
- ・ カリフォルニア州公共資源規範セクション4442では、排気システムにスパーク・アレスターを搭載し、セクション4442に定める通りに有効な作業順序で整備されていない限り、森林、低木、または草で覆われた土地でエンジンを使用または運転することは違反となります。その他の州または連邦政府の管轄でも同様の法律が存在します。本エンジンに搭載の排気システム向けに設計されたスパーク・アレスターの入手については、OEM業者、小売店、またはディーラーにお問い合わせください。



警告

不測のスパークは、火災や電気ショックの原因となります。

不測の始動は、絡みあい、外傷性切断や裂傷の原因となります。

火災の危険

調整や修理を行う前には次の事を行って下さい。

- ・ スパーク・プラグの配線を外して、スパーク・プラグから離しておいて下さい。
- ・ バッテリーを負端子側で外してください（電動スタートのエンジンのみ）。
- ・ 的確な器具のみ使用して下さい。
- ・ ガバナ・スプリング、リンク、その他の部品に手を加えてエンジンの速度を上げないで下さい。
- ・ 交換部品は、元の部品と同デザインであり、又同位置に設置されなければなりません。他の部品は、同じようにうまく行かず、装置に損傷を与え、結果としてけがをさせるかも知れません。
- ・ 後に運転中に砕け散る可能性があるため、フライホイールを金づちや固い物体で叩かないで下さい。

スパークのテストを行う場合

- ・ 認定されたスパーク・プラグ・テスターを使用してください。
- ・ スパーク・プラグを取り外した状態では、スパークの点検はしないでください。

機能とコントロール装置

エンジン・コントロール装置





挿絵と(図、12、3、4)をお持ちのエンジンと比べて、様々な機能やコントロールの位置をよく理解して下さい。

- エンジンID番号 モデル・タイプ - コード
- スパーク・プラグ
- 燃料タンク及びキャップ
- エア・クリーナー

- E. 起動コードハンドル
- F. オイル充填および検油棒
- G. オイル・ドレン・プラグ
- H. マフラー、(備わっている場合)マフラー・ガード、(備わっている場合)スパーク・アレスター
- I. チョーク制御部
- J. (備わっている場合)スロットル・コントロール
- K. TransportGuard™ - 燃料 / 点火レバー
- L. 吸気グリル
- M. (装備されている場合は、)ギア減速部を交換して下さい。
- N. 停止スイッチ (装備されている場合)
- O. (備わっている場合)電気始動スイッチ ¹

¹ 一部のエンジン及び機器にはリモコン装置が付いています。リモコン装置の位置と操作方法については、機器マニュアルをご参照下さい。

エンジン制御システムのシンボルおよびその意味

シンボル	意味	シンボル	意味
	エンジン速度 - FAST (速い)		エンジン速度 - SLOW (遅い)
	エンジン速度 - STOP (停止)		ON (オン) - OFF (オフ)
	エンジン始動 - チョーク CLOSED (閉)		エンジン始動 - チョーク OPEN (開)
	燃料キャップ 燃料遮断バルブ - OPEN (開)		燃料遮断バルブ - CLOSED (閉)
	燃料レベル - 上限 過剰充填しないでください		

運転

推奨オイル

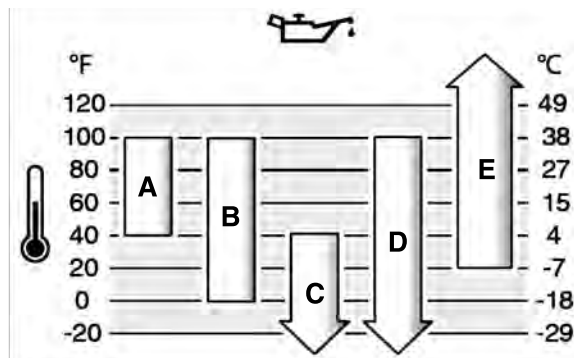
オイル容量：「仕様」セクションをご覧ください。

通知

本エンジンはオイル無し状態でBriggs & Strattonより出荷されています。機器製造者あるいは販売店によってエンジンにオイルが追加されている場合があります。初めてエンジンをかける場合は、先にオイルレベルを確認し、必ず本説明書の指示に従ってオイルを追加して下さい。オイル無しのエンジンの始動は修理不可能な損傷を引き起こし、保証の対象外となります。

最適なパフォーマンスを得るために、Briggs & Stratton 純正オイルのご使用を推奨します。また、グレードSF、SG、SH、SJ以上に分類される高性能清浄オイルのご使用も可能です。特殊な添加剤は使用しないでください。

屋外の温度によって、エンジンに適したオイル粘度が異なります。下記のチャートを参照して、予想される室外温度の範囲に最も適した粘度を選択してください。屋外動力機器に使われるエンジンはたいていの場合、5W-30グレードの化学合成オイルで正常に動作します。機器を高温の条件下で使用される場合、Vanguard™ 15W-50グレードの化学合成オイルで機器を最良の状態に保護することができます。



A	SAE 30 - 4°C 以下でSAE 30を使用すると、エンジンがかかりにくくなります。
B	10W-30 - 27°C以上で10W-30を使用すると、オイル消費量が増加することがあります。オイル量をこまめに確認して下さい。
C	5W-30
D	化学合成オイル 5W-30
E	Vanguard™ 化学合成オイル 15W-50

オイル・レベルの確認

図参照 5

オイルの追加や確認の前に

- ・ エンジンの水平を確認して下さい。
- ・ オイル充填区域のゴミを清掃して下さい。

1. 検油棒を取り外して(A、図5)汚れていない布で拭いて下さい。
2. 検油棒を設置して下さい(A、図5)。回したり締めたりしないで下さい。
3. 検油棒を取り外して、オイルのレベルを確認して下さい。検油棒の満タンの表示の上部にあるのが、正しいオイル・レベルです(B、図5)。
4. オイル・レベルが低い場合は、ゆっくりエンジンのオイル充填口にオイルを足して下さい(C、Figure 5)。あふれ出るまで充填して下さい。
5. 検油棒を再設置して締めて下さい(A、図5)。

低オイル保護システム (装備の場合)

一部のエンジンは低オイル・センサーを装備しています。オイルが低い場合は、センサーは警告灯を稼働するか、エンジンを停止させます。エンジンを停止し、再度エンジンを始動させる前に次の手順に従って下さい。

- ・ エンジンの水平を確認して下さい。
- ・ オイルのレベルを確認して下さい。オイルのレベルの確認参照。
- ・ オイルのレベルは低い場合は、正しい量のオイルを加えて下さい。エンジンを始動させて、警告灯 (装備の場合) が稼働されていない事を確認して下さい。
- ・ オイルのレベルが低くない場合は、エンジンを始動しないで下さい。オイルの問題の訂正には、Briggs & Stratton認定のサービス・ディーラーにご連絡ください。

燃料の推奨

燃料はこの要求条件に適合する必要があります：

- ・ 清潔で新しい無鉛ガソリン。
- ・ 最低87オクタン/87 AKI (91 RON)。高地での使用は以下を参照して下さい。
- ・ ガソリンに含まれるエタノール(ガソホル)は最大10%まで許容できます。

通知 E15やE85などの承認されていないガソリンは利用なさらないで下さい。ガソリンに油類を混ぜたり、異なるタイプの燃料で運転できるようなエンジンを改造したりなさらないで下さい。承認されていないガソリンを使うと、エンジン部品が破損しますが、この様な破損は保証の対象となりません。

ガム形成から燃料システムを保護するために、燃料に燃料安定剤を混ぜて下さい。保管を参照。燃料はどれも同じではありません。もし起動や性能に問題が生じたら、燃料の供給業者を変えるか、ブランドを変更して下さい。このエンジンはガソリンで運転する認可を受けています。このエンジンの排出制御システムはEM(エンジン改造)です。

高地

5 0 0 0 フィート (1524 m) 以上の高地では、最低限85 オクタン/85 AKI (89 RON) のガソリンが許容されます。

キャブレター・エンジンでは、高地調整を行って性能を保って下さい。この調整を行わない運転では、性能の劣化、燃料消費の増加、および排気の増加が生じます。高地調整の情報については、Briggs & Stratton認定のサービス・ディーラーにご連絡下さい。2,500フィート(762m)以下の高度では、高地調整の状態でのエンジンの運転は推奨しません。

電子燃料注入(EFI)エンジンでは、高地調整は不要です。

燃料の追加

図参照 6



警告

燃料およびその蒸気は非常に燃えやすく、爆発の危険性があります。

火災または爆発による重傷な火傷や死亡の可能性があります。

燃料の追加に際して

- 燃料キャップを取り除く前に、エンジンを停止し少なくとも2分間は冷却して下さい。
 - 燃料タンクは屋外または良く換気された場所で充填して下さい。
 - 燃料タンクを一杯にし過ぎないで下さい。燃料の膨張を考慮して、燃料タンクの頸部の下部以上には充填しないで下さい。
 - 燃料は火花、裸火、パイロットランプ、熱及びその他の引火元から離して下さい。
 - 燃料ライン、タンク、キャップ、装具についてひび割れや漏れを頻繁に確認して下さい。必要に応じて交換して下さい。
 - 燃料がこぼれた場合は、蒸発を待ってエンジンを開始して下さい。
- 燃料キャップ区域の埃とゴミを清掃して下さい。燃料キャップを取り外して下さい。
 - 燃料タンク(図A 6)に燃料を充填して下さい。燃料の膨張を考慮して、燃料タンクの頸部の下部以上には充填しないで下さい(B)。
 - 燃料キャップを再設置して下さい。

エンジンの起動と停止

図をご参照下さい、7, 8

エンジンの始動



警告

起動コードの急速な巻き戻し(キックバック)により、手を外すより早く、手や腕がエンジンの方へ引っ張られることがあります。

骨折、挫傷、痣、捻挫の可能性があります。

- エンジンを起動する時は、起動コードを抵抗を感じる位置までゆっくりと引き、その後、すばやく引いて、キックバックを防いで下さい。



警告

燃料及びその気化ガスは非常に燃えやすく、爆発しやすいです。

火災及び爆発は、重度の火傷や死亡事故の原因となります。

エンジンの始動時

- スパーク・プラグ、マフラー、燃料キャップ、エア・クリーナー(装備されている場合)の適切な配置と固定を確認して下さい。
- スパークプラグを外した状態でエンジンのクランクを回さないでください。
- エンジンがガソリンを吸い込みすぎて点火しない場合は、(装備されていれば)チョークをOPEN/RUNの位置に設定し、(装備されていれば)スロットルをFASTの位置にしてエンジンが始動するまでクランクを回して下さい。



警告

毒性ガスの危険 エンジンの排気には有毒な一酸化炭素が含まれ、数分で死に至る危険性があります。一酸化炭素は透明、無味、無臭です。たとえ排気ガスの臭気を感じなくても一酸化炭素ガスに晒されている危険があります。本製品の使用中に吐き気、めまい、脱力感を感じた場合、「直ちに」使用を中止し新鮮な空気を取り入れてください。医師の診察を受けて下さい。一酸化炭素中毒にかかった疑いがあります。

- この製品は屋外でのみ運転して下さい。人の居住する空間に一酸化炭素ガスが貯留・滞留する危険を避けるため、運転は窓、ドア、換気孔、ベントから遠く離れた場所で行って下さい。

- 電池式の一酸化炭素警報器、またはバッテリーバックアップを備えたプラグイン式一酸化炭素警報器をメーカーの説明書に従って取り付けてください。火災報知機では一酸化炭素を検出できません。
- たとえ換気のためにファンを使用したり扉や窓を開けている場合でも、本製品を屋内、車庫、地下室、床下、倉庫、その他部分的に囲まれた場所で使用しないでください。このような場所では一酸化炭素は素早く蓄積され、たとえ本製品の使用を中止した後でも何時間もその場に残ります。
- 本製品は必ず風下に設置し、エンジンの排気口は居住空間に向けないでください。

通知 本エンジンはオイル無しの状態でBriggs & Strattonより出荷されています。エンジンの始動前に、本説明書の指示通りにオイルを入れる事をご確認下さい。オイル無しのエンジンの始動は、修理不可能な状態の結果となり保証が及びません。

注 機器にはリモコン装置が付いている場合もあります。リモコン装置の位置と操作方法については、機器マニュアルをご参照下さい。

- エンジンオイルを点検します。オイル・レベルの確認項を参照。
 - 備わっている場合は、機器の駆動コントロール部が切り離されていることを確認します。
 - 装備されている場合は、燃料あるいは点火レバー(A、図7)をONあるいはSTARTの位置に回して下さい。
 - 備わっている場合、スロットル制御部(B、図7)をFAST位置へ動かします。エンジンをFAST位置で運転します。
 - チョーク制御部(C、図7、8)を動かしてCLOSEDの位置にします。
- 注 通常、暖かい状態のエンジンを再起動する時は、チョークは不要です。

- 備わっている場合は、停止スイッチを動かして(E、図8)ONの位置にして下さい。
- 装備されている場合は、スタートを巻き直して下さい、起動コード・ハンドルをしっかりと持ちます(D、図7、8)。抵抗を感じるまで起動コード・ハンドルをゆくり引き、次に素早く引きます。



警告

起動コードの急激な収縮(反動)により、コードを離すより早く手及び腕がエンジンに引き寄せられます。骨折、挫傷、痣、捻挫の可能性があります。エンジンを起動する時は、起動コードを抵抗を感じる位置までゆっくりと引き、その後、すばやく引いて、キックバックを防いで下さい。

- 備わっている場合の電気起動、電気起動スイッチ(D、図8)をON/START位置へ回します。

通知 短いスタート・サイクル(最大五秒)の使用により、スターターの寿命が延びます。スタート・サイクル間は一分間待って下さい。

- エンジンが暖まって来たら、チョーク・コントロール(C、図7、8)を移動させてOPENの位置にします。

注 何度か試してもエンジンが起動しない時は、最寄りのディーラーに連絡するか、ウェブサイト VanguardEngines.com 又は 1-800-999-9333 (米国内)までお問合せ下さい。

エンジンを停止



警告

燃料及びその気化ガスは非常に燃えやすく、爆発しやすいです。

火災及び爆発は、重度の火傷や死亡事故の原因となります。

- キャビュレータのチョークによるエンジンの停止は行わないで下さい。

- 停止スイッチが備わっている場合は、停止スイッチ(E、図8)を動かしてSTOPの位置にします。備わっている場合の燃料/点火レバー、燃料/点火レバー(A、図7)をOFFの位置へ押します。
- 備わっている場合の電気起動、キーを抜いて下さい。キーは子供の手の届かない場所に保管して下さい。

保守

通知 保守中にエンジンを傾ける際は、燃料タンクがエンジンに搭載されている場合は空にし、スパークプラグ側を上にして下さい。燃料タンクが空では無い状態でエンジンがどの方向にでも傾けられると、オイルまたはガソリンによるエア・フィルターおよび/もしくはスパークプラグの汚染によりエンジンの始動が困難になる可能性があります。



警告

燃料タンクがエンジンに搭載されている場合にユニットを傾ける必要のある保守を行う場合には、燃料が漏れ出して火災や爆発を起こす可能性があるためタンクを空にしてください。

エンジンおよびエンジンの部品の保守とサービスについては、Briggs & Strattonの認定されたサービス・ディーラーに依頼される事をお勧めします。

通知 正常な操作のためには本エンジンの構成部品が適所に有る必要があります。



警告

不用意な火花は、火災や電気ショックを起こす可能性があります。

不用意なエンジンの始動により、絡まり、外傷性切断、裂傷が生ずる可能性があります。

火災の危険性

調整や修理を行う前には、

- ・ スパークのワイヤを取り外し、スパークプラグからは離しておいて下さい。
- ・ バッテリーを陰極で取り外して下さい (電動始動のエンジンのみ)
- ・ 適切なツールのみを使用して下さい。
- ・ エンジン速度の増加の為に、ばね調速機、リンク、その他の部品を改ざんしないで下さい。
- ・ 交換部品が同じ設計のものであり、元の部品と同じ位置への設置される事を確認して下さい。その他の部品の場合は、同じ性能は得られず、ユニットの破損や怪我を招く可能性があります。
- ・ フライホイールは後に運転中に割れる可能性があるため、金槌や硬い物体でフライホイールを打たないで下さい。

火花の試験をする場合、

- ・ 認可されたスパークプラグのテスターを使用して下さい。
- ・ スパークプラグを取り外した状態で、火花の点検を行わないで下さい。

排出規制管理サービス

排出規制用の装置・システムの保守、交換、修理は、オフロードエンジンを扱う修理施設や修理人が実施できます。ただし、排出規制管理サービスを「無料」で受ける場合は、認定ディーラーがこれを実施する必要があります。排出規制鑑定書をご参照下さい。

メンテナンスのスケジュール

最初の5時間
・ オイルの交換
8時間ごと、或いは毎日
・ エンジン・オイル・レベルの点検して下さい
・ マフラー及びコントロール付近を清掃して下さい
・ 吸気グリルを清掃して下さい
25時間ごと、或いは年に一回
・ エア・フィルター 1の清掃
・ プレ・クリーナー 1の清掃
50時間ごと、或いは年に一回
・ エンジンオイルの交換して下さい
・ 排気システムをサービスして下さい
100時間ごと
・ (装備されている場合は、)ギア減速油を交換して下さい。
年に一回
・ スパーク・プラグを交換して下さい
・ エア・フィルターを交換して下さい
・ プレ・クリーナーを交換して下さい
・ 排気システムのサービスを行って下さい
・ 冷却システムのサービス ¹
・ パルプのクリアランス点検 ²

¹ 埃の多い状態や、浮遊するゴミがある場合にはより頻りに清掃して下さい。

² 性能上の問題が無い場合は不要です。

キャブレターとエンジン速度

キャブレターやエンジン速度を決して調節させないで下さい。キャブレターは大半の条件下で効率良く運転できるよう工場で設定されています。ガバナのバネ、リンク部品、その他の部品を改造してエンジン速度を変えないで下さい。調節が必要な場合は、Briggs & Strattonの認定サービスディーラーへサービスをお申し付け下さい。

通知 設備メーカーでは、設備に取り付けるエンジンの最高速度を指定しています。この速度を決して超えないで下さい。設備の最高速度や工場で設定したエンジン速度が不明な時は、Briggs & Strattonの認定サービスディーラーへお問合せ下さい。設備の安全で正しい運転のために、エンジン速度を調節できるのは資格を持つサービス技術者のみです。

スパーク・プラグのサービス

図参照 9

ワイヤゲージ(B)を使用してギャップ (A、図 9)を確認して下さい。必要に応じてギャップを再設定して下さい。スパーク・プラグを設置し、推奨トルクまで締めして下さい。ギャップの設定もしくはトルクについては、仕様項目を参照して下さい。

注一部地域では、地域の法律により点火信号を抑圧するレジスター・スパーク・プラグの使用が義務づけられています。本エンジンに最初にレジスター・スパーク・プラグが装備されていた場合には、交換部品も同じタイプして下さい。

排気システムのサービス



警告

運転中のエンジンは熱を生じます。エンジン部品、特にマフラーは非常に高温になります。

接触による重篤な高温火傷の可能性があります。

木の葉、草、低木の様な可燃性のゴミには火がつく可能性があります。

- ・ 手を触れる前に、マフラー、エンジン・シリンダー、フィンを冷却させて下さい。
- ・ マフラー区域およびシリンダー区域より、蓄積されたゴミを取り除いて下さい。
- ・ 森林や低木や草に覆われた土地では、California Public Resource Code, Section 4442に定義された有効に作動している状態に保守されたスパーク・アレスターを装備しない排気システムは、Section 4442の違反となります。他州、連邦管轄下でも同様の法律が存在する可能性があります。本エンジンに設置された排気システム用に設計されたスパーク・アレスターの入手については、器具の元の製造者、販売者、或はディーラーにご連絡下さい。

マフラーおよびシリンダー区域より、蓄積されたゴミを取り除いて下さい。ひび割れ、腐食、その他の破損についてマフラーの点検を行なって下さい。装備されている場合には、テフレクターあるいはスパーク・アレスターを取り外し、破損と炭素による詰りを点検して下さい。破損が見つかった場合には、運転前に交換部品を設置して下さい。



警告

交換部品が同じ設計のものであり、元の部品と同じ位置への設置される事を確認して下さい。その他の部品の場合は、同じ性能は得られず、ユニットの破損や怪我を招く可能性があります。

エンジンオイルの交換して下さい

図をご参照下さい、10、11

使用済みのオイルは危険な廃棄物であり、適切に廃棄しなければなりません。家庭ゴミと一緒に廃棄しないで下さい。安全な廃棄とリサイクル施設については、地方自治体、サービス・センター、ディーラーにご確認下さい。

オイルの抜き方

1. エンジンが切れているが未だ暖まっている状態で、スパーク・プラグの配線(D、図 10)を切断して、スパーク・プラグから離します(E)。
2. 検油棒(A、図 11)を抜き取ります。
3. オイル排出栓 (F、図 11)を外して下さい。オイルは認可された容器に排出して下さい。

注 各種オイル排出栓 (G、図 11) がエンジンに設置されています。

4. オイルを抜き取った後は、オイル排出栓(F、図 11)を取り付けて締めます。

オイルの注入

- エンジンの水平を確認して下さい。
 - オイル充填口付近のゴミを清掃して下さい。
 - オイル容量については仕様項目をご覧ください。
- 検油棒を抜き出して(A, 図 11) 清潔な布で拭いて下さい。
 - エンジンオイル注入部へオイルをゆっくりと足し入れます(C, 図 11)。溢れ出るまで充填して下さい。
 - 検油棒(A, 図 11)を抜き取ります。回したり、締めたりしないで下さい。
 - 検油棒を取り外して、オイルの液位を点検します。正しいオイルレベルは、検油棒のインジケーターの一番上です(B, 図 11)。
 - もう一度取り付けて締め付けます(A, 図 11)。
 - スパーク・プラグ(E)をスパーク・プラグ配線(D, 図 10)に接続して下さい。

ギア減速油を交換して下さい。

図をご参照下さい、12, 13

6:1 ギア減速部 (図 12)

お手元のエンジンに6:1 ギア減速部が装備されている場合は、次の方法でサービスを行って下さい。

- オイル充填プラグ(A, 図 12)およびオイル・レベル・プラグ(B)を取り外して下さい。
- オイル充填プラグ(C, 図 12)を取り外し適切な容器にオイルを排出して下さい。
- オイル・ドレンプラグをもう一度取り付けて締め付けます(A, 図 12)。
- 充填は、ゆっくりギア潤滑油(仕様 項参照)をオイル充填穴(D, 図 12)に流し込んで下さい。オイル・レベル口(E)からオイルが溢れ出るまで流し込み続けて下さい。
- オイル・レベル・プラグをもう一度取り付けて締め付けます(B, 図 12)。
- オイル充填プラグをもう一度取り付けて締め付けます(A, 図 12)。

注 オイル充填プラグ(A, 図 12)の換気口(F)は、図に表わされた様にギア・ケースの上部に設置して下さい。

2:1 ギア減速部 (図 13)

2:1 ギア減速部(G, 図 13)はオイル交換が不要です。

サービス・エア・フィルター

図をご参照下さい、14, 15, 16



警告

燃料及びその気化ガスは非常に燃えやすく、爆発しやすいです。

火災及び爆発は、重度の火傷や死亡事故の原因となります。

- エア・クリーナー・アセンブリー(装備されている場合)やエア・フィルター(装備されている場合)を外した状態でエンジンの始動や運転は絶対に行わないで下さい。

通知 フィルターの清掃に加圧された空気や溶剤を使用しないで下さい。加圧された空気はフィルターを破損させる可能性があり、溶剤はフィルターを溶かします。

サービス要件については 保守表 参照。

各種モデルでは発砲あるいは紙フィルターが使用されます。一部のモデルでは洗って再利用可能なオプションのプレ・クリーナーが使用されます。本説明書の挿絵とお持ちのエンジンに設置されたタイプとを比較して、指示に従ってサービスを行って下さい。

発砲剤製エア・フィルター

- 止め具(A, 図 14)を緩めて下さい。
- カバーを取り外します(B, 図 14)。
- 止め具(D, 図 14)とワッシャ(E)を取り外します。
- キャビュレーターにゴミが落ちないように、注意して発砲素材(C, 図 14)をエア・フィルター・ベースから取り外します(G)。
- サポート・カップ(F, 図 14)を発砲素材(C)から取り外します。
- 液体洗剤と水で、発砲素材を洗います(C, 図 14)。清潔な布にくるんで発砲素材を絞り、水気を切ります。

- 発砲素材(C, 図 14)を汚れていないエンジン・オイルに浸して下さい。余分なエンジンオイルを切るために、清潔な布にくるんで発砲素材を絞ります。
- サポート・カップ(F, 図 14)を発砲素材(C)に挿入します。
- 発砲素材(C, 図 14)をエア・フィルター・ベース(G)に設置し次にスタッド(H)に設置して下さい(H)。発砲素材がエア・フィルター・ベースに正しく組み付けられ、ワッシャ(E)および止め具(D)での固定を確認して下さい。
- カバー(B, 図 14)を設置して止め具(A)で固定して下さい。止め具が固く締まっている事を確認して下さい。

紙製エア・フィルター

- 止め具(A, 図 15)を緩めて下さい。
- カバーを取り外します(B, 図 15)。
- 止め具(E, 図 15)を取り外します。
- キャビュレーターにゴミが落ちないように注意して、装備されていればプレ・クリーナー(D, 図 15)、およびフィルター(C)をエア・フィルター・ベース(F)から取り外します。
- 異物を取り除くために、固い面に静かにフィルターを打ちつけます(C, 図 15)。フィルターがひどく汚れている場合は新しいフィルターに交換します。
- 装備されていれば、プレ・クリーナー(D, 図 15)をフィルター(C)から取り外します。
- プレ・クリーナー(D, 図 15)を洗剤を混ぜた水で洗います。プレ・クリーナーは十分に空気乾燥して下さい。プレ・クリーナーにはオイルを足さないで下さい。
- 装備されている場合は、乾いたプレ・クリーナー(D, 図 15)をフィルター(C)に取り付けます。
- シール・ワッシャ(H, 図 15)、フィルター(C)および、装備されている場合はプレ・クリーナー(D)をエア・フィルター・ベース(F)に設置し次にスタッド(G)に設置して下さい。フィルターのフィルター・ベースへの正しい組み付けを確認し、止め具(E)にて固定して下さい。
- カバー(B, 図 15)を設置して止め具(A)で固定して下さい。止め具が固く締まっている事を確認して下さい。

紙製エア・フィルター

- 止め具(D, 図 16)を緩めて下さい。
- カバーを取り外します(A, 図 16)。
- プレ・クリーナー(C, Figure 16)と、装備されている場合はフィルター(B)を外して下さい。
- 異物を取り除くために、固い面に静かにフィルターを打ちつけます(B, 図 16)。フィルターは非常に汚れた場合は、新しいフィルターに交換して下さい。
- プレ・クリーナー(C, 図 16)を洗剤を混ぜた水で洗います。プレ・クリーナーは十分に空気乾燥して下さい。プレ・クリーナーに油をかけないで下さい。
- プレ・クリーナー(C, 図 16)と、装備されている場合はフィルター(B)を設置および乾燥させて下さい。
- カバー(A, 図 16)を設置して止め具(D)で固定して下さい。止め具がしっかりと締まっていることを確認して下さい。

燃料システムのサービス

図参照、17, 18



警告

燃料及びその気化ガスは非常に燃えやすく、爆発しやすいです。

火災及び爆発は、重度の火傷や死亡事故の原因となります。

- 燃料はスパーク、覆われていない炎、パイロット・ランプ、熱、その他の引火の原因となるものから遠ざけてください。
- ひびや漏れがないが定期的に燃料ライン、タンク、キャップ、およびフィッティングを確認します。必要に応じて交換します。
- 燃料フィルターを交換する前に、燃料タンクから燃料を排出するか、燃料遮断バルブを閉めて下さい。
- 燃料がこぼれた場合は、蒸発するまでエンジンの始動をお待ちください。
- 交換部品は、元の部品と同じであり、又同位置に設置されなければなりません。

装備されている場合は燃料フィルター

- 燃料フィルターを交換する前に(A, 図 17)、燃料タンクから燃料を排出するか、燃料遮断バルブを閉めて下さい。息った場合は、燃料が漏れ出て火災や爆発の原因となります。

2. ペンチを使用して締め具 (C) のタブ (B、図 17) をつまみ、締め具を燃料フィルター (A) からスライドさせて離します。燃料パイプ (D) を振りながら引き、燃料フィルターから外します。
3. 燃料パイプ (D、 Figure 17) のひび割れや漏れを確認して下さい。必要に応じて交換します。
4. 燃料フィルター (A、図 17) は純正の器具の交換フィルターと交換して下さい。
5. 図に表されたように、燃料パイプ (D、図 17) を締め具 (C) で固定して下さい。

燃料濾過器、装備の場合

1. 燃料キャップを取り外して下さい (A、図 18)。
2. 燃料キャップを取り外して下さい (B、図 18)。
3. 燃料濾過器が汚れている場合は、清掃か交換を行って下さい。燃料濾過器を交換する場合は、必ず純正品の交換用の燃料濾過器をご使用下さい。

サービス冷却システム



警告 運転中のエンジンは熱を生じます。エンジン部品、特にマフラーは非常に高温になります。

接触による重篤な高温火傷の可能性があります。

木の葉、草、低木の様な可燃性のゴミには火がつく可能性があります。

- 手を触れる前に、マフラー、エンジン・シリンダー、フィンを冷却させて下さい。
- マフラー区域およびシリンダー区域より、蓄積されたゴミを取り除いて下さい。

通知 エンジンの清掃には水を使用しないで下さい。水は燃料システムの汚染を招く可能性があります。エンジンの清掃にはブラシが乾いた布でご使用下さい。

このエンジンは空気冷却です。埃やゴミにより空気の流れが制限されエンジンの過熱を招く可能性があり、性能の不良とエンジンの短命化を招きます。

1. ブラシが乾いた布を使用して、吸気グリルよりゴミを取り除いて下さい。
2. リンケージ、バネ、コントロールをが汚れない様にして下さい。
3. 装備されている場合には、マフラーの背後の区域に可燃なゴミが無いようにして下さい。
4. 装備されている場合は、オイル冷却フィンに埃やゴミが無いようにして下さい。

一定期間後は、シリンダー冷却フィンにゴミが蓄積してエンジンの過熱を招く可能性があります。このゴミに関しては、エンジンの部分的な分解を行わないと取り除けません。保守スケジュールに推奨された空気冷却システムの点検と清掃をBriggs & Stratton の認定サービス・ディーラーにご用命下さい。

保管



警告 燃料及びその気化ガスは非常に燃えやすく、爆発しやすいです。

火災または爆発により、重度の火傷や死亡事故を引き起こす可能性があります。

燃料またはタンクに燃料が入った 機器の保管

- 燃料の気化ガスに引火する可能性があるため、暖房炉、ストーブ、給湯器、その他のパイロット・ランプや着火源のある器具からは離して保管して下さい。

燃料系統

図を参照： 19

エンジンは水平の状態でご保管します (通常操作位置)。燃料タンク (A、図 19) に燃料を入れます。燃料が膨張してもよいよう、燃料タンクの細くなっている部分 (B) を超えないように給油します。

30日以上保管すると燃料が劣化する恐れがあります。劣化した燃料は、燃料系統や主要キャブレター部に酸やガムが堆積する原因となります。燃料を新鮮に保つために、ブリグス アンドストラットン社製 Advanced Formula Fuel Treatment & Stabilizerをお使い下さいBriggs & Stratton 純正品の取扱店ならばどこでもお求めいただけます。

指示に従って燃料劣化防止剤が追加された場合、エンジンからガソリンを抜くことは不要です。保管する前にエンジンを屋外で2分間回し、燃料系統全体に劣化防止剤を行きわたらせます。

エンジン内のガソリンに燃料劣化防止剤が添加されていなかった場合、既定の容器にガソリンを抜き出す必要があります。燃料が切れて止まるまでエンジンを回転します。燃料の鮮度を保つため、保存容器にも燃料劣化防止剤をお使いになることを推奨いたします。

エンジン・オイル

エンジンが温まっているうちに、エンジン・オイルを交換して下さい。エンジン・オイル交換の項目を参照。

トラブルシューティング

定かでない場合については、最寄りの代理店にご連絡頂くか、VanguardEngines.com あるいは次の電話番号 1-800-999-9333 (合衆国内)。

仕様

モデル、 130000	
排気量	12.48 ci (205 cc)
孔	2.688 in (68,28 mm)
ストローク	2.200 in (55,88 mm)
オイル容量	20 - 22 oz (,59 - ,65 L)
ギア減速オイル・タイプ	80W-90
ギア減速オイル容量	4 oz (,12 L)
スパーク・プラグのギャップ	.030 in (,76 mm)
スパーク・プラグのトルク	180 lb-in (20 Nm)
アーマチャー間エア・ギャップ	.010 - .014 in (,25 - ,36 mm)
吸気バルブのクリアランス	.004 - .006 in (,10 - ,15 mm)
排気バルブのクリアランス	.009 - .011 in (,23 - ,28 mm)

モデル、 190000	
排気量	18.63 ci (305 cc)
孔	3.120 in (79,24 mm)
ストローク	2.438 in (61,93 mm)
オイル容量	26 - 28 oz (,77 - ,83 L)
ギア減速オイル・タイプ	SAE 30
ギア減速オイル容量	12 oz (,35 L)
スパーク・プラグのギャップ	.030 in (,76 mm)
スパーク・プラグのトルク	180 lb-in (20 Nm)
アーマチャー間エア・ギャップ	.010 - .014 in (,25 - ,36 mm)
吸気バルブのクリアランス	.004 - .006 in (,10 - ,15 mm)
排気バルブのクリアランス	.004 - .006 in (,10 - ,15 mm)

海拔 1 0 0 0 フィート (300m) 毎にエンジンのパワーは3.5%、77°F (25° C)以上の10° F (5.6° C) 毎に1%減少します。エンジンは、15°までの角度では充分運転可能です。傾斜地で安全に運転できる許容限度については、機器の運転マニュアルをご参照下さい。

サービス部品 - モデル、モデル: 130000、 190000	
サービス部品	部品番号
発泡剤製エア・フィルター (モデル 130000、図 14)	797378
紙製エア・フィルター (モデル 130000、図 15)	797033
プレ・クリーナー (モデル 130000、図 15)	798513
紙製エア・フィルター (モデル 190000、図 15)	797032
プレ・クリーナー (モデル 190000、図 15)	798795
紙製エア・フィルタ (図 16)	474279
プレ・クリーナー (図 16)	491435S
Advanced Formula Fuel Treatment & Stabilizer	100117, 100120
レジスター・スパーク・プラグ	491055
スパーク・プラグ用レンチ	19576, 5402
スパーク・テスター	19368

エンジン及びエンジン部品のメンテナンスやサービスについては全て、Briggs & Stratton 認定ディーラーにご相談下さい。

電力定格個別のガソリン・エンジン・モデルの合計電力定格は、SAE (Society of Automotive Engineers) code J1940 Small Engine Power & Torque Rating Procedureに従ってラベル付けされており、SAE J1995に従って評価されています。トルク値はラベ

ルに"rpm"と表されたエンジン用には2600RPMで得、その他のものについては3060RPMであり、馬力は3600RPMで得ます。総電力曲線はwww.BRIGGSandSTRATTON.COMでご覧下さい。正味電力値は排気およびエア・クリーナー設置で計られ、総電力値はこの付属物無しで計られています。実際の総エンジン電力は正味電力より高くなり、周囲の運転条件やエンジンの個体差を含む要因に影響を受けます。エンジンが設置される製品の広範な品数があり、特定の電力器具でガソリン・エンジンが定格電力を出せない場合もあります。この差については、エンジンの各種構成部品(エア・クリーナー、排気、充電、冷却、キャブレター、燃料ポンプ等)を含みこれに限られない要因によるものであり、適応の限界、周囲の運転条件(温度、湿度、高度)およびエンジン個別の差異により、製造および容量の限界により、Briggs & Strattonはこのエンジンにより高い定格電力のエンジンで代替する可能性があります。

保証

Briggs & Strattonエンジン保証

2017年1月付け

限定保証

ブリッグス アンド ストラットン は、以下に記載した保証期間中、材質または仕上りの欠陥あるいはその両方が認められる一切の部品について無料で修理または交換を行うことを保証します。本保証に基づいて修理または交換を行うための製品配送費用は、ご購入者の負担となります。本保証は以下に述べた期間内のみ有効であり、以下の条件に従うものとします。保証サービスについては、BRIGGSandSTRATTON.COMのディーラー・ロケーターマップで、最寄りの認定サービスディーラーをご確認下さい。ご購入者はその正規サービスディーラーにご連絡の上、製品を正規サービスディーラーにて検査および試験を受けられる状態にしてください。

その他に明示的な保証はありません。商品性や特定目的への適合性を含む黙示的な保証は、以下に表示される保証期間または法によって許された範囲に限定されます。付随的、または結果的に生じる損害に対する責任は、法律で認められている範囲内で除外されます。国や地域によっては、黙示的保証期間に制限を設けることが認められない場合や、付随的、または結果的に生じる損害に対する責任の除外や制限が認められない場合があり、お客様に上記の制限や除外が適用されない可能性があります。本保証ではお客様に特定の法的権利を提供しますが、国や地域ごとに異なる他の権利が与えられる場合もあります。⁴

標準的な保証条件 1、2、3

ブランド / 製品名	家庭用	業務用
Vanguard™、業務用シリーズ	24 カ月	24カ月
デュラポア™ 鋳鉄スリーブ付きエンジン	24 カ月	12カ月
その他全てのエンジン	24 カ月	3カ月

¹これは弊社の標準保証規約です。ただし、今後、本文書の発行時には未定であった追加的な保証対象範囲が加わっている可能性があります。あなたのエンジンに関する現在の保証規約の一覧については、BRIGGSandSTRATTON.comのサイトで参照して頂くか、最寄りのBriggs & Stratton認定サービスディーラーにお問合せ下さい。

²ユーティリティの代わりとしてプライム電力に使用する装置のエンジンや、商業用のスタンバイ発電機に使用するエンジンに対しては、保証は有りません。自動車レース用のエンジンや商用トラックまたはレンタルトラック用に用いるエンジンには、保証は有りません。

³スタンバイ発電機に設置されたVanguard: 24ヶ月 消費者の使用、商用での使用は保証無し。実用車に設置されたバンガード: 24ヶ月 消費者の使用、24ヶ月 商用での使用。2017年7月より前に製造の業務用シリーズ、24ヶ月 消費者の使用、24ヶ月 商用での使用。

⁴オーストラリアにおいて - 当社商品はオーストラリア消費者法により除外できない保証を付けて提供されます。お客様は、重大な不良が見つかった場合の交換あるいは払い戻しを受けることができ、その他一切の合理的に予測可能な損害に対する補償を受ける権利を有します。また、商品が許容品質に到達しておらずその不良が重大な不良ではない場合、お客様は商品の修理または交換を受ける権利を有します。保証サービスについては、BRIGGSandSTRATTON.COMのディーラー・ロケーターマップで、最寄りの認定サービスディーラーを探るか、1300 274 447 にお電話いただくか、Eメール(salesenquiries@briggsandstratton.com.au)もしくは郵便 (Briggs & Stratton Australia Pty Ltd, 1 Moorebank Avenue, Moorebank, NSW, Australia, 2170) でお問い合わせ下さい。

保証期間は、最初の小売り業者又は消費者が製品を購入した日付から開始します。「消費者の使用」とは、小売り消費者による個人住宅用の使用を意味します。「商用での使用」とは、商業的使用、収益目的での使用、レンタル目的での使用を含め、上記以外の全ての使用を意味します。この保証では、いったんエンジンが商用で使用された後、それ以降の使用は商用での使用と見なされます。

購入時のレシートを保管しておいてください。保証サービス請求時に最初の購入年月日の証明となるものをお客様から提示されない場合、保証期間の決定に製品の製造年月日を使用されます。製品の登録はブリッグス アンド ストラットン製品の保証サービスを受けるために必須ではありません。

保証について

この制限付き保証は、エンジン関連の材料及び/または製作面での問題のみを対象とし、エンジンが取り付けられている装置に関する交換や払い戻しは対象に含まれません。通常のメンテナンス、チューンナップ、調整、正常な消耗はこの保証では対象に含まれま

せん。同様に、エンジンが改変・変造されている場合や、エンジンのシリアル番号が損なわれたり取り外されたりしている場合、保証は適用されません。この保証には、以下によって引き起こされたエンジンのダメージや性能上の問題は対象に含まれません:

1. Briggs & Strattonの純正部品ではない 部品の使用;
2. 不十分であったり、汚染されていたり、あるいは 不適当な等級の潤滑油でのエンジンの運転;
3. 汚れた燃料、古い燃料、エタノール成分を10%以上含むガソリンの使用や、液化石油、天然ガスなど本来は Briggs & Stratton製エンジンの運転用に 指定されていない代替燃料の使用;
4. エアクリーナーの 保守や再組立が不適切なために生じたエンジンへの汚れ侵入;
5. ロータリー芝刈り機カッターブレードの対物衝突、ブレードアダプタ、インペラその他クランク軸に結合する装備の不適切な取付けや締め付け不足、Vベルトの締め過ぎ;
6. Briggs & Strattonの 供給品ではないクラッチ、トランスミッション、機器制御部等の関連部品やアセンブリ;
7. 冷却フィンやフライホイール付近を塞いだり詰まらせる刈り取った草、土、ゴミ、ネズミ等の 糞による過熱、または十分な換気無しでの エンジンの操作;
8. スピードの出し過ぎ、エンジン取付けの緩み、カッターブレードやインペラの緩みや不均衡、クランク軸への装備の不適切な取付けによって生ずる、過大な振動;
9. 器具についての誤使用、定期点検の欠落、配送、取扱、保管、また不適切なエンジンの設置。

保証サービスは、当社 認定修理店を通してのみご提供いたします。BRIGGSandSTRATTON.COMのディーラー・ロケーターマップで、最寄りの認定サービスディーラーを探るか、1-800-233-3723 (米国) にお電話下さい。

80004537 (改訂C)

រយៈពេលធានាស្តុកដំដាន 1, 2, 3

ឃីហោរ / ល្អមហោះផលិតផល	ការប្រើប្រាស់តិចនៃ ការប្រើប្រាស់បំផុត	
Vanguard™; សិរីបែបបែបជំនួញ	36 ខែ	36 ខែ
ម៉ាស៊ីនដៃដែលមានលក្ខណៈពិសេស Dura-Bore™ Cast Iron Sleeve	24 ខែ	12 ខែ
ម៉ាស៊ីនផ្តល់ដៃ ទាំងអស់	24 ខែ	3 ខែ

សេវាកម្មធានាមានកម្រិតខ្ពស់បំផុតដែលបានផ្តល់ជូនដោយសេវាកម្ម Briggs & Stratton ដែលមានសិទ្ធិបំណុលទាំងស្រុង។ កំណត់ទីតាំង គុណភាពនៃកម្រិតខ្ពស់បំផុតដែលបានផ្តល់ជូនដោយសេវាកម្មដៃទទួលបានសិទ្ធិជូនដោយសេវាកម្មរបស់អ្នក ក្នុងករណីនៃទិដ្ឋភាពកំណត់ក្នុងការងារចែកចាយរបស់យើងនា BRIGGSandSTRATTON.COM ឬដោយទូរស័ព្ទទទួលបានលេខ 1-800-233-3723 (នាសម័យសម្រាប់អាមេរិក)។
80004537 (Rev. C)

1 ទាំងនេះគឺជារយៈពេលធានាស្តុកដំដានរបស់យើង ប៉ុន្តែវាមិនមែនជាធានាស្តុកដំដានទេ មានការកែប្រែ ដល់កម្រិតបន្តិចម្តងៗដែលមិនត្រូវបានកំណត់ដោយរយៈពេលនេះ។ តម្រូវការផ្សេងៗ សម្រាប់ការចុះបញ្ជីរយៈពេលធានា បច្ចុប្បន្ននៃការងារម៉ាស៊ីនរបស់លោកអ្នក សូមចូលទៅកាន់ BRIGGSandSTRATTON.com ឬទាក់ទង អ្នកចែកចាយ សេវាកម្ម Briggs & Stratton ដែលមានសិទ្ធិផ្ទាល់។
2 មិនមានការធានាសម្រាប់ម៉ាស៊ីនលើឧបករណ៍ដែលបានប្រើប្រាស់សម្រាប់ ថាមពលខ្លាំង នៅក្នុងតំបន់ដែលមានការរំលោភបំពាន ឬសម្រាប់ម៉ាស៊ីនដែលបានប្រើប្រាស់សម្រាប់ការងារ បំណង ដទៃទៀត។ ម៉ាស៊ីនដែលបានប្រើប្រាស់ក្នុងការងារប្រកួតប្រជែង ឬផ្សេងៗទៀត ឬការផ្តល់ជូន គឺមិនត្រូវបានធានាឡើយ។
3 Vanguard ដែលបានផ្តល់ជូនដោយយើងមិនមែនជាផ្នែកនៃការធានាស្តុកដំដានទេ ការប្រើប្រាស់ប្រព័ន្ធប្រើប្រាស់រយៈពេល 24 ខែ, ការប្រើប្រាស់ប្រព័ន្ធប្រើប្រាស់រយៈពេល 24 ខែ, សិរីបែបបែបជំនួញដែលមានកាលបរិច្ឆេទលើកមុនខែកក្កដា ឆ្នាំ 2017 ការប្រើប្រាស់អ្នកប្រើប្រាស់រយៈពេល 24 ខែ, ការប្រើប្រាស់ប្រព័ន្ធប្រើប្រាស់រយៈពេល 24 ខែ។
4 នៅ ប្រទេសអូស្ត្រាលី - ទំនិញរបស់យើងមិនមែនជាផ្នែកនៃការធានាស្តុកដំដានទេ លើកលែងតែក្នុងករណី ក្នុងប្រទេសអូស្ត្រាលី ឬក្នុងប្រទេសដទៃទៀត។ លោកអ្នកទទួលបានការជំនួស ឬប្រាក់កម្រៃ ចំពោះកំហុស និងសម្រាប់បំណងចំពោះការបាត់បង់ ឬការខូចខាត ដល់ម៉ាស៊ីនដៃដែលមានលក្ខណៈពិសេស។ លោកអ្នកទទួលបានការជំនួសផ្តល់ជូន ឬការជំនួស ប្រសិនបើ ទំនិញមិនមានកំហុសណាមួយដែលបានកើតឡើង និងកំហុសមិនមែនលើទំនិញ សម្រាប់សេវាកម្មធានា ស្តុកដំដានរបស់យើងដែលបានផ្តល់ជូនដោយសេវាកម្មដៃទទួលបានសិទ្ធិជូនដោយសេវាកម្មរបស់អ្នក ក្នុងករណីនៃទិដ្ឋភាពកំណត់ក្នុងការងារចែកចាយរបស់យើងនា BRIGGSandSTRATTON.COM, ឬ ដោយទូរស័ព្ទទទួលបានលេខ 1300 274 447, ឬដោយការផ្ញើសារអ៊ីម៉ែល ឬសារសារទៅកាន់ salesenquiries@briggsandstratton.com.au, Briggs & Stratton Australia Pty Ltd, 1 Moorebank Avenue, Moorebank, NSW, Australia, 2170។

រយៈពេលធានាចាប់ផ្តើមលើកាលបរិច្ឆេទដើមនៃ ការទិញដោយអ្នកទិញយុទ្ធសាស្ត្រ។ "ការប្រើប្រាស់របស់អតិថិជនមាន" មានន័យថា ការប្រើប្រាស់របស់អ្នកសារសំរាប់ប្រើប្រាស់ ផ្ទាល់ខ្លួន ដោយអតិថិជនលក់រាយមួយ។ "ការប្រើប្រាស់ប្រព័ន្ធប្រើប្រាស់" មានន័យថា ការប្រើប្រាស់ដោយអ្នកប្រើប្រាស់សម្រាប់ការងារបំណងផ្សេងៗ ការបង្កើតឬការកែច្នៃ ឬការផ្តល់ជូន។ ការណាម៉ាស៊ីនបានផ្តល់ជូនដោយយើងមិនមែនជាផ្នែកនៃការធានាស្តុកដំដានទេ។

ក្រសួងសុខាភិបាលនៃ បង្កើនដំណើរការប្រើប្រាស់លោកអ្នក។
ប្រសិនបើលោកអ្នកមិនផ្តល់កម្រិតប្រើប្រាស់លើកាលបរិច្ឆេទទិញដំបូងនោះ ពេលដែលសេវាកម្មធានាស្តុកដំដានស្តុកដំដាន កាលបរិច្ឆេទដំបូងដែលបានផ្តល់ជូន និងការប្រើប្រាស់ដើម្បីកំណត់រយៈពេលធានា។ ការចុះបញ្ជីលើកដំបូងដែលបានផ្តល់ជូន ដើម្បីទទួលបានសេវាកម្មធានាស្តុកដំដាន ផលិតផល Briggs & Stratton នេះ។

អំពី ការធានារបស់អ្នក

ការធានាមានកម្រិតខ្ពស់បំផុតដែលបានផ្តល់ជូនដោយយើងមិនមែនជាធានាស្តុកដំដាន និង/ឬ បញ្ហាការប្រើប្រាស់កម្រិតបំណុលទាំងស្រុង និងមិនមានការប្រកួតប្រជែង ឬប្រាក់បង្កើនលើឧបករណ៍នេះ ដែលម៉ាស៊ីនអាចត្រូវបានប្រើប្រាស់ឡើយ។ តម្រូវការផ្សេងៗ ការកែច្នៃ ការសារ ឬ ការដាច់ និងលក់ដោយមិនត្រូវបានគ្រប់គ្រងដោយយើងមិនមែនជាផ្នែកនៃការធានាស្តុកដំដានឡើយ។ សូមទាក់ទងក្រុមការងារយើង ការធានាមិនអនុវត្តបាន ប្រសិនបើម៉ាស៊ីនត្រូវបានផ្តល់ជូន ឬ កែសម្រួល ឬប្រសិនបើលេខសិរីម៉ាស៊ីនត្រូវបានផ្តល់ជូន ឬប្រកួតប្រជែង ឬការធានាមិនមែនគ្រប់គ្រងលើ ការខូចខាតម៉ាស៊ីន ឬបញ្ហាបញ្ហាផ្សេងៗដែលបានកើតឡើង។

1. ការប្រើប្រាស់ក្រៅប្រទេសដែលមិនមែនជា ក្រៅប្រទេស Briggs & Stratton ដើម
2. ការប្រើប្រាស់កម្រិតម៉ាស៊ីននេះដោយប្រើប្រាស់ម៉ាស៊ីន កខ្វក់ ឬ មិនត្រឹមត្រូវតាមកម្រិតអំណុល
3. ការប្រើប្រាស់ប្រព័ន្ធប្រើប្រាស់ កខ្វក់ ឬខូច ប្រព័ន្ធប្រើប្រាស់ដែលផ្តល់ជូនដោយយើង ដាក់ អត្រាពន្ធពិនិយោគ 10% ឬការប្រើប្រាស់ប្រព័ន្ធប្រើប្រាស់ដែលផ្តល់ជូនដោយយើង ដូចជា ប្រព័ន្ធប្រើប្រាស់ដែលផ្តល់ជូនដោយយើង ឬម៉ាស៊ីនដែលផ្តល់ជូនដោយយើង រចនា/ផលិតដោយយើងដោយ Briggs & Stratton ដើម្បីប្រើប្រាស់កម្រិតប្រើប្រាស់ ប្រព័ន្ធប្រើប្រាស់នេះ
4. ផ្ទាល់ខ្លួនចូលទៅកាន់ម៉ាស៊ីន ពីព្រោះតែតម្រូវការប្រើប្រាស់ម្នាក់ៗ មិនមានសមស្រប ឬពីព្រោះតែការប្រើប្រាស់ផ្សេងៗទៀត
5. ការកែច្នៃដោយមិនត្រូវបានគ្រប់គ្រងដោយយើង ប្រើប្រាស់ម៉ាស៊ីនដែលផ្តល់ជូនដោយយើង ឬម៉ាស៊ីនដែលផ្តល់ជូនដោយយើង ឬម៉ាស៊ីនដែលផ្តល់ជូនដោយយើង ដោយមិនត្រូវបានគ្រប់គ្រងដោយយើង ឬម៉ាស៊ីនដែលផ្តល់ជូនដោយយើង ដោយមិនត្រូវបានគ្រប់គ្រងដោយយើង
6. ផ្ទុកកែច្នៃ ឬប្រកួតប្រជែង ដូចជា អំប្រាណូ ប្រើប្រាស់លើ ប្រើប្រាស់បញ្ហាឧបករណ៍ ដើម្បី ដល់ម៉ាស៊ីនត្រូវបានផ្តល់ជូនដោយ Briggs & Stratton
7. ការប្រើប្រាស់កម្រិតខ្ពស់ ដោយសារតែការប្រើប្រាស់ម្នាក់ៗ ផ្ទាល់ និងកម្រិតខ្ពស់ ឬស្រួច ឬស្រួត ដល់ទាក់ ឬផ្ទុកវិធីសាស្ត្រផ្សេងៗទៀត ឬក៏ប្រើប្រាស់ ឬដោយការប្រើប្រាស់កម្រិតម៉ាស៊ីន ដោយមិនត្រូវបានគ្រប់គ្រងដោយយើង
8. ការប្រើប្រាស់ ដោយសារតែប្រើប្រាស់លើ ម៉ាស៊ីនចាប់ផ្តើម រលុង ផ្តល់កែតម្រូវ ប្រើប្រាស់បញ្ហាផ្សេងៗ ឬមិនមានកុលយភាព ឬប្រើប្រាស់បញ្ហាផ្សេងៗ ដោយមិនត្រូវបានគ្រប់គ្រងដោយយើង
9. ការប្រើប្រាស់ខុស កង្វះខាតកម្រិតប្រើប្រាស់ ការដឹកជញ្ជូន ការលើកដាក់ ឬការដាក់ឧបករណ៍ក្នុងយុទ្ធសាស្ត្រ ឬ ការផ្សេងៗទៀតមិនមែនសមស្រប។

이 설명서에는 엔진과 관련된 위험을 인식하는 안전 정보와 이를 방지하는 방법이 포함되어 있습니다. 또한 엔진의 적절한 사용과 취급을 위한 지침도 들어 있습니다. Briggs & Stratton Corporation은 이 엔진을 구동할 장비에 대해 반드시 알고 있지는 못하므로 이러한 지침 및 장비용 지침을 읽고 이해하는 것이 중요합니다. 나중에 참조할 수 있도록 이러한 원래 지침을 보관해두십시오.

참고: 이 설명서의 그림은 참조용으로만 제공되는 것이며 모델에 따라 다를 수 있습니다. 문의사항은 딜러에게 연락하십시오.

부품 교체나 기술 지원을 위해 아래에 구입 날짜와 함께 엔진 모델, 종류 및 코드 번호를 기록하십시오. 이 번호는 엔진에 위치되어 있습니다 (**기능 및 제어** 섹션 참조).

구매일	
엔진 모델 - 유형 - 트림	
엔진 일련 번호	

일부 엔진에 위치해 있는 2D 바코드 찾아보십시오. 2D 가능한 장치로 보았을 때 코드는 본 제품에 대한 지원 정보에 액세스할 수 있는 웹사이트를 표시합니다. 데이터 요금이 적용됩니다. 일부 국가에서는 온라인 지원 정보를 제공하지 않습니다.



재활용 정보

		모든 패키지, 사용된 오일, 배터리는 해당 정규 규정에 따라 재활용되어야 합니다.
--	--	---

작동자 안전

안전 경고 기호 및 시그널 워드

안전 경고 기호 는 부상을 초래할 수 있는 위험에 대한 안전 정보를 식별하는데 사용됩니다. 신호 단어(위험, 경고 또는 주의)는 심각한 부상 우려와 부상 가능성을 표시하는 경고 기호로 사용됩니다. 위험 기호는 위험의 종류를 나타내는 데 사용될 수 있습니다.

- 위험은 방지하지 않을 경우 사망 또는 중상을 입을 위험을 나타냅니다.
- 경고는 방지하지 않을 경우 사망 또는 중상을 입을 수 있는 위험을 나타냅니다.
- 주의를 방지하지 않을 경우 경상 또는 중간의 부상을 입을 수 있는 위험을 나타냅니다.
- 공지는 제품을 손상시킬 수 있는 상황을 나타냅니다.

위험 기호 및 의미

기호	의미	기호	의미
	부상을 초래할 수 있는 위험에 대한 안전 정보		장치를 작동하거나 서비스하기 전에 작동자 설명서를 읽고 이해하십시오.
	화재 위험		폭파 위험
	쇼크 위험		독성 연기 위험

기호	의미	기호	의미
	뜨거운 표면 위험		소음 위험 - 오래 사용할 경우 귀 보호 장비가 권장됩니다.
	물체 비산 위험 - 눈 보호 장비를 착용하십시오.		폭파 위험
	동상 위험		킥백 위험
	질단 위험 - 움직이는 부품		화학적 위험
	열 위험		부식

안전 메시지



경고

이 제품의 특정 부품이나 관련된 액세서리는 압, 선천적 결손증 혹은 다른 생식 기능 손상을 유발하는 것으로 캘리포니아 주에 알려진 화학 성분을 포함합니다. 취급 후 손을 씻습니다.



경고

이 제품에서 나오는 엔진 배기가스는 압, 선천적 결손증 혹은 다른 생식 기능 손상을 유발하는 것으로 캘리포니아 주에 알려진 화학 성분을 포함합니다.



경고

Briggs & Stratton 엔진은 편카트, 고카트, 아동용 차량, 레저용 차량 또는 전지형 스포츠 만능차(ATV), 오토바이, 호버크라프트, 항공기 제품, Briggs & Stratton의 인가를 받지 않은 대회용 차량을 위해 설계되거나 이러한 차량에 대한 전원을 공급하기 위해 사용되지 않습니다. 경주용 제품에 대한 정보는 www.briggsracing.com을 참조하십시오. 유틸리티 및 병렬식 전지형 만능차 사용에 대한 문의는 Briggs & Stratton 엔진 어플리케이션 센터의 전화번호 1-866-927-3349번으로 연락해 주십시오. 엔진을 부적절하게 장착한 경우 심각한 부상을 입거나 사망할 수 있습니다.



경고

연료와 증기는 인화성과 폭발성이 극도로 높습니다.
화재나 폭발은 심각한 화상이나 사망을 초래할 수 있습니다.

연료 추가 시

- 연료 캡을 제거하기 전에 엔진을 끄고 2분 이상 냉각시킵니다.
- 실외 혹은 환기가 잘 되는 장소에서 연료 탱크를 채우십시오.
- 탱크를 과하게 채우지 마십시오. 연료가 팽창될 수 있으므로 연료 탱크 목의 아래 부분 이상으로 채우지 마십시오.
- 연료를 스파크, 화염, 점화용 불씨, 열 및 기타 점화원 가까이에 두지 마십시오.
- 연료관, 탱크, 캡 및 피팅에 균열이나 누출이 있는지 자주 확인합니다. 필요하다면 교체하십시오.
- 연료를 흘린 경우 엔진에 시동을 걸기 전에 연료가 증발될 때까지 기다립니다.

엔진 시동 시

- 점화 플러그, 머플러, 연료 캡 및 에어 클리너(설치된 경우)가 제 위치에 안전하게 있는지 확인하십시오.
- 점화 플러그를 제거한 상태에서 엔진을 회전시키지 마십시오.
- 엔진 오일이 넘친 경우 초크(설치된 경우)를 열림/작동 위치로 이동시키고, 스로틀(설치된 경우)을 빠른 위치에 놓고 엔진이 시동될 때까지 회전시키십시오.

장비 작동 시

- 연료가 흘러나올 정도의 각도로 엔진이나 장비를 기울이지 마십시오.
- 엔진을 멈추기 위해 카뷰레터를 막지 마십시오.
- 에어 클리너 어셈블리(장착된 경우) 또는 에어 필터(장착된 경우)를 제거한 상태로 엔진을 시동하거나 엔진을 작동하지 마십시오.

오일 교환 시

- 상부 오일 주입 튜브에서 오일을 배출하는 경우, 연료 탱크는 비어 있어야 합니다. 그렇지 않으면, 연료가 새서 화재나 폭발을 초래할 수 있습니다.

티핑 유닛 유지보수

- 끝에 팀이 끼워진 유닛을 유지보수할 경우 연료 탱크(엔진 위에 장착된 경우)는 반드시 비어 있어야만 합니다. 그렇지 않으면 연료가 새 수 있고 화재나 폭발을 초래할 수 있습니다.

장비 수송 시

- 연료 탱크를 비우거나 연료 차단 밸브를 잠금 위치로 한 상태에서 운송하십시오.

탱크에 연료 또는 연료가 들어있는 장비의 보관 시

- 연료 증기가 점화될 수 있으므로 화로, 스토브, 운수기, 점화 라이터 또는 기타 점화원이 있는 모든 전기 제품에서 떨어져 보관하십시오.



엔진 시동은 스파크를 일으킵니다.

스파크는 인근의 인화성 기체를 발화시킬 수 있습니다.

폭발과 화재가 발생할 수 있습니다.

- 천연 또는 LP 가스 누출이 있는 지역인 경우 엔진을 시동하지 마십시오.
- 증기는 인화성이기 때문에 압축된 시동 액체를 사용하지 마십시오.



유독 가스 위험. 엔진 배기가스에는 몇 분 내에 사망에 이르게 할 수 있는 유독 가스인 일산화탄소가 포함되어 있습니다. 일산화탄소는 볼 수도, 냄새를 맡을 수도, 맛을 볼 수도 없습니다. 배기가스 냄새가 나지 않더라도 일산화탄소 가스에 노출되고 있을 수 있습니다. 본 제품을 사용하는 동안 아프거나 어지럽거나 또는 힘이 빠지는 느낌이 들기 시작하면 즉시 신선한 공기가 있는 곳으로 이동하십시오. 병원에 가십시오. 일산화탄소에 중독이 됐을 수 있습니다.

- 일산화탄소 가스가 축적되어 사용 중인 공간으로 유입되는 잠재적 위험을 줄일 수 있도록 이 제품은 창, 문, 환기구와 멀리 떨어진 곳에서만 작동하십시오.
- 제조업체의 지침에 따라 배터리를 작동하는 일산화탄소 경보기나 배터리 백업 방식의 플러그 접속식 일산화탄소 경보기를 설치하십시오. 화재 경보기는 일산화탄소 가스를 감지할 수 없습니다.
- 통풍을 위해 팬을 사용하거나 문과 창문을 열어 놓더라도 집, 차고, 지하실, 좁은 공간, 헛간 또는 기타 부분적으로 밀폐된 공간 내부에서는 이 제품을 작동하지 마십시오. 일산화탄소가 그런 공간에 빠르게 쌓여 이 제품의 사용을 중단한 후라도 몇 시간 동안 남아 있을 수 있습니다.
- 이 제품을 항상 바람이 부는 방향으로 놓아서 엔진 배기가스가 사용 중인 공간과 반대 방향으로 흐르게 하십시오.



시동 코드 (킥백)의 고속 되감기 기능은 귀하가 손과 팔을 뺄 수 있는 속도보다 더 빠르게 손과 팔을 엔진 쪽으로 끌어당깁니다.

뼈가 부러지거나, 골절, 타박상이나 염좌를 초래할 수 있습니다.

- 엔진을 시동할 때, 반동을 방지할 수 있도록 저항이 느껴질 때까지 코드를 천천히 당긴 후 빠르게 당깁니다.
- 엔진을 시동하기 전 모든 외부 장비/엔진 부하를 제거 하십시오.
- 이에 국한되지 않으나 블레이드, 임펠러, 풀리, 스프로킷 등의 직접 연결된 장비 구성품은 단단히 고정되어야 합니다.



부품 회전으로 손, 발, 머리카락, 옷 또는 액세서리가 접촉하거나 말려들 수 있습니다.

외상 절단 혹은 심각한 열상을 초래할 수 있습니다.

- 보호대를 착용한 상태에서 장비를 작동하십시오.
- 회전 부품에서 손과 다리를 멀리 하십시오.
- 긴 머리는 묶고 장신구는 빼놓으십시오.
- 헐렁한 옷, 달렁거리는 끈이나 말려들어 갈 수 있는 것을 착용하지 마십시오.



엔진 가동은 열을 발생시킵니다. 엔진 부품, 특히 머플러는 아주 뜨겁습니다.

접촉 시 심각한 화상을 입을 수 있습니다.

나뭇잎, 풀, 덩불 등 인화성 잔해에 불이 붙을 수 있습니다.

- 만지기 전에 머플러, 엔진 실린더와 핀의 열이 식도록 두십시오.
- 머플러 부분과 실린더 부분에 쌓인 잔해를 제거하십시오.
- 4442 조항에 지정된 대로 효과적으로 작동하도록 유지관리된 스파크 어레스터가 설치된 배기 시스템이 갖춰지지 않는 한, 숲, 덩불 또는 잔디로 덮인 땅에서 엔진을 사용하거나 작동하는 것은 캘리포니아 공공 자원 코드(California Public Resource Code) 4442 조항의 위반입니다. 다른 주나 연방 관할지역에도 유사한 법이 있을 수 있습니다. 이 엔진에 설치된 배기가스 시스템용 스파크 어레스터를 구입하시려면 원래 장비 제조업체, 소매업체 또는 대리점에 문의하십시오.



의도치 않은 점화로 화재 또는 전기 충격이 발생할 수 있습니다.

의도치 않은 시동으로 말려들, 외상성 절단 또는 열상이 초래될 수 있습니다.

화재 위험

조정 또는 수리를 하기 전:

- 스파크 플러그 와이어를 분리해서 멀리 둥니다.
- 배터리의 음극 단자 연결을 분리합니다(전기 시동 엔진만 해당)
- 올바른 도구만 사용합니다.
- 엔진 속도를 높이기 위해 조속기 스프링, 연동장치 또는 다른 부품은 건드리지 마십시오.
- 교체용 부품은 원래 부품과 동일해야 하고 동일한 위치에 설치되어야 합니다. 다른 부품은 제대로 기능하지 않을 수 있고, 기기에 손상을 입히고 상해를 초래할 수 있습니다.
- 플라이휠을 망치나 딱딱한 물체로 치지 마십시오. 플라이휠이 작동 중 부서질 수 있습니다.

스파크 테스트 시:

- 승인된 점화 플러그 테스트를 사용합니다.
- 스파크 플러그를 제거한 상태로 스파크의 발생 여부를 확인하지 마십시오.

기능 및 제어

엔진 제어장치

그림 (그림: 1, 2, 3, 4)을 사용 중인 엔진과 비교하여 다양한 기능 및 컨트롤의 위치를 숙지 하십시오.

- 엔진 식별 번호 모델 - 종류 - 코드
- 스파크 플러그
- 연료 탱크 및 캡
- 에어 클리너
- 스타터 코드 핸들
- 오일 필 및 디스틱
- 오일 배출 플러그
- 머플러, 머플러 가드(장착시), 스파크 방지장치(장착시)
- 초크 컨트롤
- 스로를 제어장치(장착시)
- TransportGuard™ - 연료 및 시동 레버
- 공기 흡입 그릴
- 기어 저감 장치(장착시)
- 정지 스위치(장착시)

O. 전기 시동 스위치(장착시) ¹

¹ 일부 엔진 및 장비에는 원격 제어장치가 있습니다. 원격 제어 위치와 작동은 장비 설명서를 참조하십시오.

D	합성 5W-30
E	Vanguard™ 합성 15W-50

엔진 제어 기호 및 의미

기호	의미	기호	의미
	엔진 속도 - 빠름		엔진 속도 - 느림
	엔진 속도 - 멈춤		켜기 - 끄기
	엔진 시동 - 초크 닫힘		엔진 시동 - 초크 열림
	연료 캡 연료 차단 - 열림		연료 차단 - 닫힘
	연료 레벨 - 최대 넘치게 주입하지 마십시오		

작동

오일 권장사항

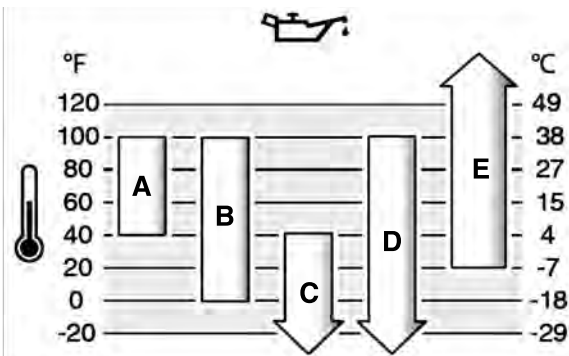
오일 용량: 사양 섹션을 참조하십시오.

알림

이 엔진은 Briggs & Stratton에서 오일 없이 선적되었습니다. 장비 제조업체나 대리점이 엔진에 오일을 추가했을 수 있습니다. 처음으로 엔진의 시동을 걸 때는 먼저 이 설명서의 지침에 따라 오일 레벨을 점검한 후 추가하십시오. 오일 없이 엔진을 시동하면, 엔진이 수리 불가능할 정도로 손상되고 보증을 받지 못하게 됩니다.

당사는 최고의 성능을 발휘할 수 있도록 Briggs & Stratton이 공식적으로 보증하는 오일 사용을 권장합니다. 정비 SF, SG, SH, SJ 이상으로 분류된 경우, 다른 고품질 세제 오일도 사용할 수 있습니다. 특수 첨가제는 사용하지 마십시오.

엔진의 적절한 오일 점도는 실외 온도에 따라 결정됩니다. 차트에서 예상되는 실외 온도 범위 위에 가장 적합한 점도를 선택하십시오. 대부분의 실외 전력 장비 엔진은 5W-30 합성 오일을 사용해도 잘 작동합니다. 고온에서 작동하는 장비는 Vanguard™ 15W-50 합성 오일을 사용해야 최고의 보호 기능을 낼 수 있습니다.



A	SAE 30 - 4°C(40°F) 미만에서 SAE 30을 사용하면 시동이 잘 걸리지 않게 됩니다.
B	10W-30 - 27°C(80°F) 이상에서 10W-30을 사용하면 오일 소비량이 증가할 수 있습니다. 오일 레벨을 더 자주 점검하십시오.
C	5W-30

오일 수준 점검

그림 참조: 5

오일을 추가 또는 점검하기 전에

- 엔진이 수평인지 확인하십시오.
- 오일 보충 영역에서 찌꺼기를 청소하십시오.

- 디스틱을 꺼내(A, 그림 5) 깨끗한 천으로 닦으십시오.
- 디스틱을 넣으십시오(A, 그림 5). 돌리거나 조이지 마십시오.
- 디스틱을 꺼내 오일 수준을 점검하십시오. 올바른 오일 수준은 디스틱에서 가득참 표시(B, 그림 5) 상단에 있습니다.
- 오일 수준이 부족한 경우 엔진 오일 주입구로 오일을 천천히 보충하십시오(C, 그림 5). 가득참 지점까지 보충하십시오.
- 디스틱(A, 그림 5)을 다시 넣고 조이십시오.

오일 부족 보호 시스템(장착시)

일부 엔진에는 오일 부족 센서가 장착되어 있습니다. 오일이 부족한 경우 센서는 경고등을 활성화하거나 엔진을 멈춥니다. 엔진을 멈추고 엔진 시동을 다시 걸기 전에 다음 단계를 수행하십시오.

- 엔진이 수평인지 확인하십시오.
- 오일 수준을 점검하십시오. 오일 수준 점검 섹션을 참조하십시오.
- 오일 수준이 부족한 경우 적절한 양의 오일을 보충하십시오. 엔진을 시동하고 경고등(장착시)이 활성화되었는지 확인하십시오.
- 오일 수준이 부족하지 않은 경우 엔진 시동을 걸지 마십시오. 오일 문제를 해결해 주도록 Briggs & Stratton 공인 서비스 딜러에 문의하십시오.

권장 연료

연료는 다음 요구 사항을 충족해야 합니다.

- 깨끗하고 신선한 무연 가솔린.
- 최소 87 옥탄(87 AKI (91 RON)). 높은 고도용. 아래 참조.
- 최대 10% 에탄올이 함유된 가솔린(가소솔)은 허용됩니다.

알림 DE15 및 E85 같이 승인되지 않은 가솔린은 사용하지 마십시오. 가솔린에 오일을 혼합하거나 대체 연료 사용을 위해 엔진을 개조하지 마십시오. 승인되지 않은 연료를 사용하면 엔진 구성품이 손상되어 보증을 받지 못하게 됩니다.

연료 시스템에 고무 성분이 형성되지 않도록 하려면 연료 안정제를 연료에 혼합하십시오. 보관 참조. 모든 연료는 동일하지 않습니다. 시동이나 성능 문제가 발생하는 경우 연료 공급자를 바꾸거나 브랜드를 변경하십시오. 이 엔진은 가솔린에서 작동하도록 승인되었습니다. 이 엔진의 배기가스 제어 시스템은 EM(Engine Modifications)입니다.

높은 고도

1,524 m(5,000 피트) 이상의 고도에서는 최소 85 octane/85 AKI(89 RON) 가솔린이 허용됩니다.

카뷰레터 엔진의 경우 성능을 유지하려면 높은 고도로 조절해야 합니다. 이렇게 조절하지 않고 작동하면 성능이 저하되고 연료 소모가 감소하며 배기가스가 증가합니다. 높은 고도 조절 정보는 Briggs & Stratton 공인 서비스 딜러에 문의하십시오. 762 m(2,500 피트) 이하의 고도에서 엔진을 작동하면 높은 고도 조절이 필요하지 않습니다.

전기 연료 분사(EFI) 엔진의 경우 높은 고도 조절이 필요하지 않습니다.

연료 추가

그림 참조: 6



연료 및 증기는 인화성과 폭발성이 있습니다.

화재 또는 폭발로 심각한 화상을 입거나 사망할 수 있습니다.

연료 추가시

- 연료 캡을 제거하기 전에 최소 2분 동안 엔진을 끄고 식히십시오.
- 야외 또는 통풍이 잘되는 곳에서 연료 탱크를 채우십시오.
- 연료 탱크에 넘치게 주입하지 마십시오. 연료가 팽창할 수 있으므로 연료 탱크 주입구의 바닥 위까지 채우지 마십시오.
- 연료 주변에 스파크, 화염, 접착용 불씨, 열 및 기타 점화원을 가까이 하지 마십시오.

- 연료 라인, 탱크, 캡 및 피팅에 균열이나 누출이 있는지 자주 점검하십시오. 필요시 교체.
- 연료가 누출되는 경우 증발할 때까지 기다렸다가 엔진 시동을 거십시오.

1. 연료 캡 부위의 먼지나 오염을 청소하십시오. 연료 캡을 여십시오.
2. 연료 탱크(A, 그림 6)에 연료를 채우십시오. 연료가 팽창할 수 있으므로 연료 탱크 주 입구(B)의 바닥 위까지 채우지 마십시오.
3. 연료 캡을 닫으십시오.

엔진 시동 및 정지

그림 참조: 7, 8

엔진 시동



경고

시동 코드(킥백)의 고속 후퇴는 가게 할 수 있는 것 보다 빨리 손과 팔을 엔진을 향해 끌 것입니다.

빠가 부러지거나, 골절, 타박상이나 염좌를 초래할 수 있습니다.

- 엔진이 시동되면, 반동을 방지할 수 있도록 저항이 느껴질 때까지 코드를 천천히 당기고 나서 빠르게 당기십시오.



경고

연료와 증기는 극도로 인화성과 폭발성이 있습니다.

화재 혹은 폭발이 심각한 화상이나 사망을 초래할 수 있습니다.

엔진 시동시

- 스파크 플러그, 머플러, 연료 캡 및 에어 클리너가(설치된 경우) 제 위치에 있는지 확인하십시오.
- 스파크 플러그를 제거한 상태로 엔진 크랭크를 돌리지 마십시오.
- 엔진 오일이 넘칠 경우, 초크 레버를 OPEN 또는 RUN 위치로 이동하고 스로틀을(설치된 경우) FAST 위치에 놓고 엔진이 시동될 때까지 크랭크를 돌리십시오.



경고

경고 유독 가스 위험. 엔진 배기가스에는 몇 분 내에 사망에 이르게 할 수 있는 유독 가스인 일산화탄소가 포함되어 있습니다. 이 유독 가스는 보이지 않고, 냄새나 맛도 없습니다. 배기가스 냄새가 나지 않더라도 일산화탄소 가스에 노출되고 있을 수 있습니다. 이 제품을 사용하는 동안 메스꺼운 느낌, 현기증, 무력감이 들기 시작하면 제품을 차단한 후 바로 신선한 공기를 마실 수 있는 곳으로 이동하십시오. 병원에 가서 진찰을 받으십시오. 일산화탄소 중독에 걸릴 수 있습니다.

- 일산화탄소 가스가 축적되어 잠재적으로 사용 공간으로 유입될 위험을 줄일 수 있도록 이 제품은 창, 문, 환기구와 멀리 떨어진 곳에서만 작동하십시오.
- 제조업체의 지침에 따라 배터리로 작동하는 일산화탄소 경보기나 배터리 백업 방식의 플러그 접속식 일산화탄소 경보기를 설치하십시오. 화재 경보기는 일산화탄소 가스를 감지할 수 없습니다.
- 통풍을 위해 팬을 사용하거나 문과 창문을 열어 놓더라도 집, 차고, 지하실, 좁은 공간, 헛간 또는 기타 부분적으로 밀폐된 공간 내부에서는 이 제품을 작동하지 마십시오. 일산화탄소가 이 공간에 빠르게 쌓여 이 제품을 차단한 후라도 몇 시간 동안 남아 있을 수 있습니다.
- 항상 이 제품을 바람이 부는 방향에 놓아서 엔진 배기가스가 사용하는 공간과 떨어져서 반대 방향으로 이동하도록 하십시오.

알림 이 엔진은 브릭스 & 스트래튼에서 오일 없이 선택되었습니다. 엔진을 시동하기 전에, 이 설명서의 지침에 따라 오일을 추가하십시오. 오일 없이 엔진을 시동하면, 엔진이 수리 불가능할 정도로 손상되고 보증을 받지 못하게 됩니다.

참고: 장비는 원격 제어할 수 있습니다. 원격 제어 위치와 작동은 장비 설명서를 참조하십시오.

1. 엔진 오일을 점검하십시오. **오일 수준 점검** 섹션을 참조하십시오.
2. 설치된 경우, 장비 운전 제어장치가 해제되었는지 점검하십시오.
3. 연료 또는 시동 레버(A, 그림 7)(장착된 경우)를 ON 또는 START 위치로 이동시키십시오.
4. 스로틀 컨트롤(B, 그림 7) (장착시)을 FAST 위치로 이동시키십시오. 빠른 위치에서 엔진을 작동합니다.
5. 초크 제어장치를 (C, 그림 7, 8) CLOSED 위치로 이동하십시오.

참고: 따뜻한 엔진을 재시동할 때에는 보통 초크가 필요하지 않습니다.

6. 정지 스위치(E, 그림 8) (장착시)를 ON 위치로 누르십시오.
7. 시동 되감기(장착시): 스타터 코드 핸들(D, 그림 7, 8)을 단단히 잡으십시오. 스타터 코드 핸들을 천천히 당기다가 저항이 느껴지면 빠르게 당기십시오.



경고

시동 코드(킥백)의 고속 후퇴는 가게 할 수 있는 것 보다 빨리 손과 팔을 엔진을 향해 끌 것입니다. 빠가 부러지거나, 골절, 타박상이나 염좌를 초래할 수 있습니다. 엔진이 시동되면, 반동을 방지할 수 있도록 저항이 느껴질 때까지 코드를 천천히 당기고 나서 빠르게 당기십시오.

8. 전기 시동, 설치된 경우: 전기 시동 스위치(F, 그림 8)를 ON 또는 START 위치로 돌립니다.

알림 스타터 수명을 길게하기 위해, 짧은 시동 회전을 사용합니다(최대 5초). 시동 회전 사이 1분 기다립니다.

9. 엔진이 예열되면, 초크 제어장치(C, 그림 7, 8)를 OPEN 위치로 이동하십시오.

참고: 반복 시도해도 엔진이 시동되지 않는 경우 해당 지역 딜러에게 문의하거나 VanguardEngines.com 을 방문하거나 1-800-999-9333 (미국 내)로 전화하십시오.

엔진 정지



경고

연료와 증기는 극도로 인화성과 폭발성이 있습니다.

화재 혹은 폭발이 심각한 화상이나 사망을 초래할 수 있습니다.

- 엔진을 멈추기 위해 카뷰레터를 막지 마십시오.

1. 정지 스위치, 설치된 경우: 정지 스위치를 (E, 그림 8)를 STOP 위치로 이동합니다. 연료 및 시동 레버(장착된 경우): 연료 및 시동 레버(A, 그림 7)를 OFF 위치로 이동시키십시오.
2. 전기 시동, 설치된 경우: 키를 제거합니다. 키는 어린이 손이 닿지 않는 곳에 보관하십시오.

유지보수

알림 유지보수 동안 엔진을 기울이는 경우 연료 탱크(엔진에 장착시)를 비우고 스파크 플러그 쪽이 위를 향하게 해야 합니다. 연료 탱크를 비우지 않고 엔진을 다른 방향으로 기울이는 경우 에어 필터 및/또는 스파크 플러그를 오염시키는 오일 또는 가솔린으로 인해 시동을 걸기 어려울 수 있습니다.



경고

유지보수를 위해 장치를 기울여야 하는 경우 연료 탱크(엔진에 장착시)를 비워야 합니다. 그렇지 않으면 연료가 누출되어 화재나 폭발이 발생할 수 있습니다.

엔진과 엔진 부품의 모든 유지보수와 서비스는 Briggs & Stratton 공인 서비스 딜러에 문의하는 것이 좋습니다.

알림 이 엔진을 제작하는 데 사용되는 모든 구성품은 적절한 작동을 위해 제자리에 유지해야 합니다.



경고

의도하지 않은 스파크로 인해 화재가 발생하거나 감전될 수 있습니다.

의도하지 않은 시동으로 인해 위험, 외상성 절단 또는 파열 부상을 입을 수 있습니다.

화재 위험

성능 조절 또는 수리 전:

- 스파크 플러그 와이어를 분리하고 스파크 플러그와 떨어 뜨려 놓으십시오.
- 배터리 음극 단자를 분리하십시오(전기 시동 엔진만 해당).
- 올바른 공구만 사용하십시오.
- 엔진 속도를 높이기 위해 거버너 스프링, 링크 또는 기타 부품을 조작하지 마십시오.
- 교체 부품은 동일한 설계여야 하며 원래 부품과 같은 위치에 설치해야 합니다. 다른 부품이 제대로 성능을 발휘하지 않고 장치 손상이 발생하며 부상을 입을 수 있습니다.
- 작동하는 동안 나중엔 플라이휠이 부서질 수 있으므로 해머 또는 단단한 물체로 플라이휠을 치지 마십시오.

스파크 테스트 시:

- 승인된 스파크 플러그 테스터를 사용하십시오.
- 스파크 플러그 제거된 상태에서 스파크를 점검하지 마십시오.

배기가스 제어 서비스

배기가스 제어 장치와 시스템의 유지 관리, 교체 또는 수리는 오프로드 엔진 수리 시설이나 개인이 수행할 수 없습니다. 그러나 "무료" 배기가스 제어 서비스를 받으려면 공장에서 승인된 딜러가 수행해야 합니다. 배기가스 제어 진술서를 참조하십시오.

유지보수 일정

최초 5시간
• 오일 교체
8시간마다 또는 매일
• 엔진 오일 점검 • 머플러와 컨트롤 주변 부위 청소 • 공기 흡입 그릴 청소
25시간마다 또는 매년
• 에어 필터 청소 ¹ • 프리 클리너 청소 ¹
50시간마다 또는 매년
• 엔진 오일 교체 • 배기 시스템 서비스
100시간마다
• 기어 저감 오일 변경(장착시)
매년
• 스파크 플러그 교체 • 에어 필터 교체 • 프리 클리너 교체 • 연료 시스템 서비스 • 냉각 시스템 서비스 ¹ • 밸브 간극 점검 ²

¹ 산업 조건 또는 공기 중 부유물이 존재할 때는 더 자주 청소하십시오.

² 엔진 성능 문제가 나타나지 않는 경우에는 필요하지 않습니다.

카뷰레터 및 엔진 속도

카뷰레터 또는 엔진 속도는 조절하지 마십시오. 카뷰레터는 대부분의 조건에서 효율적으로 작동하도록 공장에서 설정되었습니다. 엔진 속도를 조정하기 위해 거버너 스프링, 링크 또는 기타 부품을 조작하지 마십시오. 조절이 필요한 경우 Briggs & Stratton 공인 서비스 딜러에 문의하여 서비스를 받으십시오.

알림 장비 제조자는 장비가 설치된 엔진의 최대 속도를 지정합니다. 이 속도를 초과하지 마십시오. 장비 최대 속도 또는 공장에서 설정한 엔진 속도를 잘 모르는 경우 Briggs & Stratton 공인 서비스 딜러에 문의하여 지원을 받으십시오. 장비의 안전과 적절한 작동을 위해 엔진 속도는 숙련된 서비스 기술자만 조정해야 합니다.

서비스 스파크 플러그

그림 참조: 9

와이어 게이지(B)로 간극을 점검하십시오(A, 그림 9). 필요할 경우 간극을 재설정하십시오. 스파크 플러그를 설치하고 권장하는 토크로 조이십시오. 간극 설정 또는 토크의 경우 사양 섹션을 참조하십시오.

참고: 일부 지역에서는 지역 법률에서 점화 신호를 억제하도록 저항 스파크 플러그 사용을 요구하고 있습니다. 이 엔진에 저항 스파크 플러그가 원래 장착된 경우 동일한 유형으로 교체하여 사용하십시오.

배기 시스템 서비스



작동 중인 엔진 제품 열. 엔진 부품 특히 머플러가 매우 뜨겁습니다.

만질 경우 심각한 열 화상이 생길 수 있습니다.

낙엽, 잔디, 덩불 등과 같은 가연성 쓰레기에 불이 붙을 수 있습니다.

- 만지기 전에 머플러, 엔진 실린더 및 핀을 식하십시오.
- 머플러 부위와 실린더 부위에 누적된 찌꺼기는 제거하십시오.
- 4442조에 정의된 대로 유효한 작동 순서에 따라 관리되는 배기가스 시스템에 스파크 방지 장치가 장착되어 있지 않은 경우 낙엽이 깔려 있거나, 덩불이 깔려 있거나, 잔디가 덮여 있는 곳에서 엔진을 사용 또는 작동하는 것은 캘리포니아주 공공 자원법, 4442조를 위반하는 것입니다. 다른 주 또는 연방 관할 구역에서는 유사한 법률이 있을 수 있습니다. 원래 장비 제조업체, 소매점 또는 딜러에 문의하여 이 엔진에 설치된 배기가스 시스템용으로 설계된 스파크 방지 장치를 구입하십시오.

머플러와 실린더 부위에 누적된 찌꺼기는 제거하십시오. 머플러에 균열, 부식 또는 기타 손상이 있는지 검사하십시오. 검출기나 스파크 방지 장치가 장착된 경우 제거하고 손상 또는 탄소 찌꺼기로 막혀 있는지 검사하십시오. 파손이 발견된 경우, 작동 전에 교체 부품을 설치하십시오.



교체 부품은 동일한 설계여야 하며 원래 부품과 같은 위치에 설치해야 합니다. 다른 부품이 제대로 성능을 발휘하지 않고 장치 손상이 발생하며 부상을 입을 수 있습니다.

엔진 오일 교환

그림 참조: 10, 11

사용한 오일은 위험 폐기물이므로 적절히 폐기해야 합니다. 하수도에 버리지 마십시오. 지역 담당 기관, 서비스 센터 또는 딜러에게 안전한 폐기/재활용 시설을 문의하십시오.

오일 제거

1. 엔진을 끄지만 아직 따뜻한 상태에서 스파크 플러그 와이어(D, 그림 10)를 분리하고 스파크 플러그(E)에서 떨어 뜨려 두십시오.
2. 디스틱(A, 그림 11)을 제거하십시오.
3. 오일 배출 플러그(F, 그림 11)를 제거하십시오. 오일을 승인된 용기에 배출하십시오.

참고: 다양한 배출 플러그(G, 그림 11)를 엔진에 설치할 수 있습니다.

4. 오일을 배출한 후 오일 배출 플러그(F, 그림 11)를 설치하고 조이십시오.

오일 추가

- 엔진이 수평인지 확인하십시오.
- 오일 보충 영역에서 찌꺼기를 청소하십시오.
- 오일 용량은 **제한** 섹션을 참조하십시오.

1. 디스틱(A, 그림 11)을 꺼내 깨끗한 천으로 닦으십시오.
2. 엔진 오일 주입구(C, 그림 11)로 천천히 오일을 부으십시오. 오버플로우 지점까지 채우십시오.
3. 디스틱(A, 그림 11)을 설치하십시오. 돌리거나 조이지 마십시오.
4. 디스틱을 꺼내 오일 수준을 점검하십시오. 올바른 오일 수준은 디스틱에서 가득함 표시기(B, 그림 11) 상단에 있습니다.
5. 디스틱(A, 그림 11)을 다시 넣고 조이십시오.
6. 스파크 플러그 와이어(D, 그림 10)를 스파크 플러그(E)에 연결하십시오.

기어 저감 오일 변경

그림 참조: 12, 13

6:1 기어 저감(그림 12)

엔진에 6:1 기어 저감 장치가 장착된 경우, 다음을 따르십시오.

1. 오일 필 플러그(A, 그림 12) 및 오일 레벨 플러그(B) 제거하십시오.
2. 오일 배출 플러그(C, 그림 12)를 제거하고 오일을 적절한 용기에 배출하십시오.
3. 오일 배출 플러그(C, 그림 12)를 다시 설치하고 조이십시오.

- 다시 채우려면, 오일 주입구(D, 그림)에 기어 윤활유를 천천히 부으십시오.(사양 12 섹션 참조) 오일 수준구(E)에 오일이 넘칠 때까지 계속 부으십시오.
- 오일 수준 플러그(B, 그림 12)를 다시 넣고 조이십시오.
- 오일 필 플러그(A, 그림 12)를 다시 넣고 조이십시오.

참고: 오일 필 플러그(A, 그림 12)에는 환기구(F)가 있으며 기어 케이스 커버가 그림과 같이 설치되어야 합니다.

2:1 기어 저감(그림 13)

2:1 기어 저감 장치(G, 그림 13)는 오일 교체가 필요없습니다.

에어 필터 서비스

그림 참조: 14, 15, 16



연료와 증기는 극도로 인화성과 폭발성이 있습니다.

화재 혹은 폭발이 심각한 화상이나 사망을 초래할 수 있습니다.

- 에어 클리너 어셈블리(장착식) 또는 에어 필터(장착식)를 제거한 상태에서 엔진을 시동하거나 실행하지 마십시오.

알림 압축 공기 또는 솔벤트를 사용하여 필터를 청소하지 마십시오. 압축 공기는 필터를 손상시킬 수 있으며 솔벤트는 필터를 용해시킵니다.

서비스 요구 사항은 **유지보수 일정**을 참조하십시오.

다양한 모델에서 폼 또는 페이퍼 필터를 사용합니다. 일부 모델은 세척하여 재사용할 수 있는 옵션 프리 클리너가 있을 수도 있습니다. 이 설명서의 그림을 사용하는 엔진에 설치된 종류와 비교하고 다음과 같이 서비스하십시오.

폼 에어 필터

- 패스너(A, 그림 14)를 푸십시오.
- 커버(B, 그림 14)를 제거하십시오.
- 패스너(D, 그림 14) 및 와셔 (E)를 제거하십시오.
- 쓰레기가 카뷰레이터 안으로 떨어지지 않도록 폼 엘리먼트(C, 그림 14)를 에어 필터 베이스에서 조심하여 제거하십시오 (G).
- 폼 엘리먼트 (C)에서 지지대 컵 (F, 그림 14)을 제거하십시오 (F).
- 폼 엘리먼트(C, 그림 14)를 액체 세제와 물로 세척하십시오. 폼 엘리먼트를 깨끗한 천에 눌러 짜십시오.
- 폼 엘리먼트(C, 그림 14)를 깨끗한 엔진 오일로 흠뻑 적시십시오. 과도한 엔진 오일을 제거하려면 깨끗한 천에 폼 엘리먼트를 눌러 짜십시오.
- 폼 엘리먼트 (C)에서 지지대 컵 (F, 그림 14)을 삽입하십시오.
- 에어 필터 베이스 (G) 및 스테드 (H)에 폼 엘리먼트 (C, 그림 14)를 설치하십시오 (H). 폼 엘리먼트가 에어 필터 베이스에 적절히 조립되었는지 확인하고 와셔(E) 및 패스너(D)로 고정하십시오.
- 커버(B, 그림 14)를 설치하고 패스너(A)로 고정하십시오. 패스너가 조여졌는지 확인하십시오.

종이 에어 필터

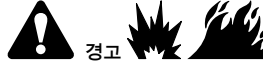
- 패스너(A, 그림 15)를 푸십시오.
- 커버(B, 그림 15)를 제거하십시오.
- 딥스틱(E, 그림 15)을 제거하십시오.
- 쓰레기가 카뷰레이터 안으로 떨어지지 않도록 프리 클리너(D, 그림 15)(장착식) 및 필터(C)를 에어 필터 베이스(F)에서 조심하여 제거하십시오.
- 쓰레기가 떨어지도록 필터(C, 그림 15)를 단단한 표면에 가볍게 두드리십시오. 필터가 심하게 오염된 경우 새 필터로 교체하십시오.
- 프리 클리너(D, 그림 15)(장착된 경우)를 필터(C)에서 제거하십시오.
- 프리 클리너(D, 그림 15)를 액체 세제와 물로 세척하십시오. 프리 클리너를 완전히 건조시키십시오. 프리 클리너에 오일을 적시지 마십시오.
- 건조된 프리 클리너(D, 그림 15)를 필터(C)에 조립하십시오.
- 실 와셔(H, 그림 15), 필터(C) 및 프리 클리너(D)(장착식)를 에어 필터 베이스(F)와 스테드(G)에 설치하십시오. 필터가 에어 필터 베이스에 적절히 조립되었는지 확인하고 패스너(E)로 고정하십시오.
- 커버(B, 그림 15)를 설치하고 패스너(A)로 고정하십시오. 패스너가 조여졌는지 확인하십시오.

종이 에어 필터

- 패스너(D, 그림 16)를 푸십시오.
- 커버(A, 그림 16)를 제거하십시오.
- 프리 클리너(C, 그림 16)를 필터(B)에서 제거하십시오.
- 쓰레기가 떨어지도록 필터(B, 그림 16)를 단단한 표면에 가볍게 두드리십시오. 필터가 심하게 오염된 경우 새 필터로 교체하십시오.
- 프리 클리너(C, 그림 16)를 액체 세제와 물로 세척하십시오. 프리 클리너를 완전히 건조시키십시오. 프리 클리너에 오일을 적시지 마십시오.
- 프리 클리너(C, 그림 16)(장착된 경우)와 필터(B)를 설치하십시오.
- 커버(A, 그림 16)를 설치하고 패스너(D)로 고정하십시오. 패스너가 조여졌는지 확인하십시오.

연료 시스템 정비

그림을 참조하십시오: 17, 18



연료와 증기는 극도로 인화성과 폭발성이 있습니다.

화재 혹은 폭발이 심각한 화상이나 사망을 초래할 수 있습니다.

- 연료를 스파크, 화염, 점화용 불씨, 열 및 기타 점화원 가까이에 두지 마십시오.
- 연료관, 탱크, 캡 및 부품에 균열이나 누출이 있는지 확인합니다. 필요한 경우 교체하십시오.
- 연료 필터를 교체하기 전, 연료 탱크를 비우거나 혹은 연료 차단 밸브를 잠그십시오.
- 연료를 흘린 경우, 엔진 시동을 걸기 전에 연료가 증발 될 때까지 기다립니다.
- 교체용 부품은 원래 부품과 동일해야 하고 동일한 위치에 설치되어야 합니다.

연료 필터, 설치된 경우:

- 연료 필터를 (그림, A 17) 청소하거나 혹은 교체하기 전, 연료 탱크를 비우거나 혹은 연료 차단 밸브를 잠그십시오. 그렇지 않은 경우, 연료가 밖으로 새 수 있고 화재나 혹은 폭발을 초래할 수 있습니다.
- 펜치를 사용해 클램프 위 (C) 탭을 (그림, B 17) 조이고, 그 후 연료 필터에서 부터 클램프를 서서히 치웁니다 (A). 연료 필터의 연료 선을 (D) 비틀고 그리고 당깁니다.
- 연료 선에 (그림, D 17) 균열이나 혹은 누출이 있는지 점검합니다. 필요한 경우 교체하십시오.
- 연료 필터는 (그림, A 17) 원 장비 교체 필터로 교체합니다.
- 연료 선을 (그림, D 17) 클램프 로 보여진 바와 같이 고정합니다.

연료 여과기, 설치된 경우

- 연료 캡을 (그림, A 18) 제거하십시오.
- 연료 여과기를 (그림, B 18) 제거하십시오.
- 연료 여과기가 더러운 경우, 세척하거나 혹은 교체합니다. 연료 여과기를 교체하는 경우, 원래 장비 교체 연료 여과기를 사용하는 것을 확인 하십시오.

냉각 시스템 서비스



작동 중인 엔진은 열을 발생시킵니다. 엔진 부품 특히 머플러가 매우 뜨거워집니다.

만질 경우 심각한 열 화상이 생길 수 있습니다.

낙엽, 잔디, 덩불 등과 같은 가연성 쓰레기에 불이 붙을 수 있습니다.

- 만지기 전에 머플러, 엔진 실린더 및 핀을 식히십시오.
- 머플러 부위와 실린더 부위에 누적된 찌꺼기는 제거하십시오.

알림 물을 사용하여 엔진을 식히지 마십시오. 물은 연료 시스템을 오염시킬 수 있습니다. 브러시나 마른 천으로 엔진을 청소하십시오.

이 엔진은 공냉식 엔진입니다. 먼지나 쓰레기가 공기 흐름을 제한하여 엔진 과열을 일으켜 엔진 성능을 저하시키고 엔진 수명을 단축시킬 수 있습니다.

- 브러시나 마른 천으로 공기 흡기 그릴에서 쓰레기를 제거하십시오.
- 링키지, 스포링 및 컨트롤을 청소하십시오.
- 머플러(장착식) 주변과 후방부에 가연성 쓰레기가 없도록 하십시오.
- 오일 냉각 핀(장착식)에 먼지나 쓰레기가 없도록 해야 합니다.

시간이 흐르면서 실린더 냉각 핀에 쓰레기가 누적되어 엔진 과열을 초래할 수 있습니다. 이런 쓰레기는 엔진 일부를 분해하지 않고는 제거할 수 없습니다. Briggs & Stratton 공인 서

비스 딜러가 유지보수 일정에서 권장하는 대로 공기 냉각 시스템을 검사하고 청소하도록 하십시오.

보관



연료와 증기는 극도로 높은 인화성과 폭발성이 있습니다.

화재나 폭발은 심한 화상 또는 사망을 초래할 수 있습니다.

탱크에 연료 또는 연료가 들어있는 장비를 보관할 경우

- 연료 증기가 점화될 수 있으므로 화로, 스토브, 온수기나 점화 라이터 또는 기타 점화 장치를 갖는 모든 전기 용품으로부터 멀리두십시오.

연료 시스템

그림 참조: 19

엔진은 수평 상태(정상 작동 위치)로 보관하십시오. 연료 탱크(A, 그림)에 19 연료를 채웁니다. 연료의 팽창을 수용할 수 있도록 연료 탱크 목 (B)까지 채우지 마십시오.

30일 이상 보관할 경우 연료 캔이 노후화될 수 있습니다. 오래된 연료를 사용하면 연료 시스템이나 필수 카뷰레터 부품에 끈적한 산성 침착물이 형성될 수 있습니다. 연료를 신선하게 유지하려면, **Briggs & Stratton Advanced Formula Fuel Treatment & Stabilizer**를 사용하십시오. 이 제품은 모든 Briggs & Stratton 정품 서비스 부품 구입처에서 구입할 수 있습니다.

지침에 따라 연료 안정제를 첨가한 경우, 엔진에서 가솔린을 따라낼 필요가 없습니다. 보관하기 전에 엔진을 이 (2) 분 동안 작동시켜 안정제를 연료 시스템 전체에 순환시키십시오.

엔진의 가솔린을 연료 안정제로 처리하지 않은 경우 가솔린을 승인된 용기에 따라내야 합니다. 연료가 부족해서 멈출 때까지 엔진을 가동시킵니다. 신선도를 유지하려면 보관 용기에 연료 안정제를 첨가할 것을 권장합니다.

엔진 오일

엔진이 아직 따뜻할 때 엔진 오일을 교환하십시오. **엔진 오일 교환** 섹션을 참조하십시오.

문제해결

해당 지역 딜러에게 문의하거나 **VanguardEngines.com**을 방문하거나 **1-800-999-9333** (미국 내)로 전화하십시오.

사양

모델: 130000	
배기량	12.48 ci (205 cc)
보어	2.688 in (68,28 mm)
스트로크	2.200 in (55,88 mm)
오일 용량	20 - 22 oz (,59 - ,65 L)
기어 저감 오일 유형	80W-90
기어 저감 오일 용량	4 oz (,12 L)
스파크 플러그 갭	.030 in (,76 mm)
스파크 플러그 토크	180 lb-in (20 Nm)
전자기 에어 갭	.010 - .014 in (,25 - ,36 mm)
흡입 밸브 간극	.004 - .006 in (,10 - ,15 mm)
배기 밸브 간극	.009 - .011 in (,23 - ,28 mm)

모델: 190000	
배기량	18.63 ci (305 cc)
보어	3.120 in (79,24 mm)
스트로크	2.438 in (61,93 mm)
오일 용량	26 - 28 oz (,77 - ,83 L)
기어 저감 오일 유형	SAE 30
기어 저감 오일 용량	12 oz (,35 L)
스파크 플러그 갭	.030 in (,76 mm)
스파크 플러그 토크	180 lb-in (20 Nm)

모델: 190000

전자기 에어 갭	.010 - .014 in (,25 - ,36 mm)
흡입 밸브 간극	.004 - .006 in (,10 - ,15 mm)
배기 밸브 간극	.004 - .006 in (,10 - ,15 mm)

엔진 출력은 해수면 위로 1,000 피트(300 m) 상승할 때마다 3.5% 감소하고 77° F (25° C)에서 10° F (5.6° C) 상승할 때마다 1% 감소합니다. 엔진은 15° 까지 각도에서 만족스럽게 작동할 것입니다. 경사로에서 허용되는 안전 작동 한계는 장비 작동자 설명서를 참조하십시오.

정비 부품 - 모델: 130000, 190000

정비 부품	부품 번호
폼 에어 필터(모델 130000, 그림 14)	797378
폼 에어 필터(모델 130000, 그림 15)	797033
프리 클리너(모델 130000, 그림 15)	798513
페이퍼 에어 필터(모델 190000, 그림 15)	797032
프리 클리너(모델 190000, 그림 15)	798795
중이 에어 필터(그림 16)	474279
프리 클리너(그림 16)	491435S
고급 포물러 연료 관리 및 안정제	100117, 100120
레지스터 스파크 플러그	491055
스파크 플러그 렌치	19576, 5402
스파크 테스터	19368

엔진과 엔진 부품의 모든 유지보수와 서비스는 Briggs & Stratton 공인 딜러에 문의하는 것이 좋습니다.

출력 등급: 개별 가솔린 엔진 모델의 총 출력 등급은 SAE(Society of Automotive Engineers) 규정 J1940 소형 엔진 출력 및 토크 등급 절차에 따라 레이블되었으며 SAE J1995에 따른 정격입니다. 토크 값은 레이블에 "rpm"으로 되어 있는 엔진의 경우 2600 RPM에서 파생되었으며 다른 모든 엔진의 경우 3060 RPM입니다. 마력 값은 3600 RPM에서 파생되었습니다. 총 출력 곡선은 www.BRIGGSandSTRATTON.COM에서 볼 수 있습니다. 순 출력 값은 배기 및 에어 클리너가 설치된 상태에서 측정되는 반면 총 출력 값은 이러한 부착 장치 없이 측정됩니다. 실제 총 엔진 출력은 순 엔진 출력보다 높으며 특히 주변 작동 조건과 엔진 간 가변성의 영향을 받습니다. 엔진이 배치되는 다양한 제품에서 가솔린 엔진은 지정된 출력 장비에서 사용될 때 정격 총 출력을 내지 못할 수 있습니다. 이런 차이는 다양한 엔진 구성품(에어 클리너, 배기, 충전, 냉각, 카뷰레터, 연료 펌프 등), 응용 제한, 주변 작동 조건(온도, 습도, 고도) 및 엔진간 가변성을 포함하되 이에 국한되지 않는 여러 가지 요인으로 인한 것입니다. 제조 및 용량 제한으로 인해 Briggs & Stratton은 이 엔진에 대해 더 높은 출력 정격을 갖는 엔진으로 대체할 수 있습니다.

보증

Briggs & Stratton 엔진 보증

2017년 1월 발효

제한 보증

Briggs & Stratton은 아래 명시된 보증 기간 중에 재료나 공정상 또는 두 경우 모두의 결함 이 있는 모든 부품을 무료로 수리 또는 교체해 드립니다. 이 보증에 따른 수리나 교체를 위해 제품의 반환 운송 시 소요되는 배송비는 구매자가 부담해야 합니다. 이 보증은 아래 명시된 기간과 조건에 유효하며, 이에 따라 시행됩니다. 보증 서비스를 받으려면 BRIGGSandSTRATTON.COM에서 당사 대리점 찾기 지도를 이용하여 가장 가까운 공인 서비스 대리점을 찾아 보십시오. 구매자는 공인 서비스 대리점에 연락하여 공인 서비스 대리점 이 제품을 검사하고 테스트할 수 있도록 해야 합니다.

다른 명시적 보증은 없습니다. 상품성 및 특정 용도에 대한 적합성에 대한 보증을 포함한 암시적 보증은 아래에 명시된 보증 기간으로 제한되거나 법률로 허용된 범위로 제한됩니다. 부수적 또는 결과적 손해에 대한 책임은 법률에서 허용하는 배제 범위까지 배제됩니다. 일부 주 또는 국가에서는 암시적 보증의 지속 기간에 대한 제한을 허용하지 않고, 부수적 또는 결과적 손해의 배제나 제한을 허용하지 않는 주 또는 국가도 있으므로, 위의 제한 및 배제가 귀하에게 적용되지 않을 수도 있습니다. 이 보증에 따라 귀하는 특정한 법적 권리를 갖게 되며, 귀하는 주마다 그리고 국가마다 다른 권리도 갖게 될 수 있습니다.⁴

표준 보증 약관 1, 2, 3

상호 / 제품명	소비자 용도	상업적 이용
Vanguard™ 커머셜 시리즈	36 개월	36개월
Dura-Bore™ 주철 슬리브가 있는 엔진	24 개월	12개월
전체 기타 엔진	24 개월	3개월

⁴ 이는 당사의 표준 보증 기간이지만, 이 엔진 보증이 발행된 시점에 결정되지 않은 추가적인 보증 적용 범위가 있을 수 있습니다. 엔진에 대한 현재 보증 기간을 확인하십시오.

면, BRIGGSandSTRATTON.COM을 방문하거나 Briggs & Stratton 공인 서비스 대리점에 문의하십시오.

² 유틸리티를 대신하여 주 전원에 사용되는 장치의 엔진 또는 상업 목적으로 사용되는 비상용 발전기는 보증의 대상이 아닙니다. 경주용 또는 상업용 또는 대역 트랙에 사용되는 엔진은 보증이 적용되지 않습니다.

³ 비상용 발전기에 설치된 Vanguard: 24개월 소비자 사용 시 보증, 상업적 사용은 보증 불가. 다용도 트랙에 설치된 Vanguard: 24개월 소비자 사용, 24개월 상업적 사용. 2017년 7월 이전 제조일자 Commercial Series, 24개월 소비자 사용, 24개월 상업적 사용.

⁴ 호주 - 당사의 제품은 호주 소비자법에 따라, 배제될 수 없는 보증이 제공됩니다. 중대한 고장이 발생한 경우 교체나 환불을 받고 기타 합리적으로 예측 가능한 손실이나 손해가 발생한 경우 보상을 받을 자격이 있습니다. 또한 중대한 고장이 아니지만 상품이 허용 가능한 품질을 유지하지 못하는 경우에도 상품의 수리를 받거나 교체 받을 자격이 있습니다. 보증 서비스의 경우, BRIGGSandSTRATTON.COM의 공인 대리점 찾기 지도에서 가까운 공인 서비스 대리점을 찾으십시오. 1300 274 447번으로 전화를 하시거나 또는 salesenquiries@briggsandstratton.com.au로 이메일을 보내시거나 Briggs & Stratton Australia Pty Ltd, 1 Moorebank Avenue, Moorebank, NSW, Australia, 2170으로 우편을 보내주시기 바랍니다.

보증 기간은 최초 소매 구매자 또는 상업 구매자가 구매한 원래 날짜부터 시작됩니다. "소비자 사용"이란 소매 소비자가 자신이 주거하는 가정에서 사용함을 의미합니다. "상업적 사용"이란 상업용, 생계용 또는 대여용을 포함한 기타 사용을 의미합니다. 장비를 상업 용도로 한 번 사용하면, 그 후부터는 이 보증의 목적은 상업용으로 간주됩니다.

구매 증명 영수증을 보관하십시오. 보증 서비스 요청 시에 최초 구매 일자 증빙자료가 없는 경우, 제품의 제조일자가 보증기간을 결정하는 데 사용됩니다. Briggs & Stratton 제품에 대한 보증 서비스를 받기 위해서는 제품 등록이 요구되지 않습니다.

귀하의 보증 정보

본 제한 보증은 엔진 관련 자체 및/또는 공정상 문제에만 국한되며, 엔진이 탑재되는 장비의 교체 또는 환불은 해당되지 않습니다. 일상적인 유지보수, 튜닝, 성능 조정 또는 정상적인 마모 및 마멸은 이 보증에 포함되지 않습니다. 마찬가지로, 보증은 엔진을 변경하거나 또는 개조하거나 엔진의 일련번호가 훼손되거나 삭제된 경우에도 적용되지 않습니다. 이 보증은 다음과 같은 경우로 인한 엔진 손상 또는 성능 문제를 보장하지 않습니다.

1. Briggs & Stratton 정품이 아닌 부품의 사용
2. 불충분하고, 오염되거나 잘못된 등급의 윤활유로 엔진 작동
3. 오염되거나 오래된 연료나 10% 이상의 에탄올이 함유된 가솔린을 사용하거나 액화석유 같은 대체 연료 또는 천연 가스를 그런 연료의 사용 목적으로 Briggs & Stratton에서 원래 설계/제조하지 않은 엔진에 사용
4. 적절치 않은 공기 청정기 유지보수 또는 재조립으로 인해 엔진에 유입된 분진
5. 회전식 잔디깎기의 절삭날로 물체를 때리거나, 헐겁거나 적절치 않게 설치된 블레이드 어댑터, 임펠러 또는 기타 크랭크샤프트가 연결된 장치 또는 과도한 V 벨트의 장력
6. 연관 부품 또는 클러치, 트랜스미션, 장비 제어 등 Briggs & Stratton에서 공급하지 않은 조립품
7. 작은 잔디, 분진 및 부스러기로 인한 과열, 냉각 핀 또는 플라이휠 구역에 꽃히거나 이를 막는 설치류의 둥지 또는 충분한 환기 없이 엔진 작동
8. 과속으로 인한 과도한 진동, 헐거운 엔진 설치, 헐겁거나 균형 잃은 절삭날 또는 임펠러 또는 장비 구성품과 크랭크샤프트의 커플링 오류
9. 장비의 일상적 유지보수, 선적, 취급 또는 보관의 잘못, 부재 또는 부적절한 엔진 설치

보증 서비스는 Briggs & Stratton 공인 서비스 대리점을 통해서만 가능합니다. > BRIGGSandSTRATTON.COM의 대리점 찾기 지도에서 가까운 공인 서비스 대리점을 찾거나 1-800-233-3723번(미국)으로 연락하십시오.

80004537(개정 C)

Buku panduan ini mengandungi maklumat keselamatan untuk memberi kesedaran kepada anda tentang bahaya dan risiko berkaitan enjin dan bagaimana untuk mengelakkannya. Ia juga mengandungi panduan untuk penggunaan dan penjagaan enjin yang betul. Oleh kerana Briggs & Stratton Corporation tidak semestinya tahu peralatan apakah yang akan dijanakan oleh enjin ini, adalah penting untuk anda baca dan fahamkan arahan-arahan ini dan panduan untuk peralatan tersebut. **Simpan panduan asal ini untuk rujukan di masa hadapan.**

Nota: Gambar rajah dan ilustrasi di dalam buku panduan ini disediakan untuk rujukan sahaja dan mungkin berbeza daripada model anda. Hubungi ejen anda sekiranya anda mempunyai sebarang soalan.

Untuk penggantian alat atau bantuan teknikal, catatkan di bawah model enjin, jenis dan nombor kod berserta tarikh pembelian. Nombor-nombor ini terdapat pada enjin anda (lihat **bahagian Ciri-Ciri dan Alat Kawalan** bahagian).

Tarikh Pembelian	
Model Enjin - Jenis - Trim	
Nombor Siri Enjin	

Cari kod bar 2D yang terletak pada sesetengah enjin. Apabila dilihat menggunakan peranti berdaya-2D, kod tersebut akan memperlihatkan laman web kami di mana anda boleh mengakses maklumat sokongan untuk produk ini. Kadar data akan terpakai. Sesetengah negara mungkin tidak mempunyai maklumat sokongan atas talian yang tersedia.



Maklumat Kitar Semula

		<p>Semua pembungkusan, minyak yang telah digunakan, dan bateri hendaklah dikitar semula mengikut peraturan-peraturan yang ditetapkan oleh kerajaan.</p>
--	--	---

Keselamatan Pengendali

Simbol Peringatan Keselamatan dan Perkataan Isyarat

Simbol peringatan keselamatan digunakan untuk mengenal pasti maklumat keselamatan mengenai bahaya yang boleh menyebabkan kecederaan diri. Perkataan isyarat (BAHAYA, AMARAN atau AWAS) digunakan dengan simbol peringatan untuk menunjukkan kemungkinan dan potensi kecederaan teruk. Selain itu, simbol bahaya boleh digunakan untuk mewakili jenis bahaya.

BAHAYA menunjukkan bahaya di mana, jika tidak dielak, akan menyebabkan kematian atau kecederaan serius.

AMARAN menunjukkan bahaya di mana, jika tidak dielak, boleh menyebabkan kematian atau kecederaan serius.

AWAS menunjukkan bahaya di mana, jika tidak dielak, boleh menyebabkan kecederaan kecil atau sederhana.

NOTIS menunjukkan situasi yang boleh menyebabkan kerosakan pada produk.

Simbol Bahaya dan Maksud

Simbol	Maksud	Simbol	Maksud
	Maklumat keselamatan tentang bahaya yang boleh mengakibatkan kecederaan diri.		Baca dan fahamkan Panduan Pengendali sebelum mengendali atau menyenggara unit.
	Bahaya api		Bahaya letupan
	Bahaya kejutan		Bahaya wasap bertoksik
	Bahaya permukaan panas		Bahaya bunyi – Perlindungan telinga disyorkan untuk penggunaan lanjut.
	Bahaya objek dilempar – Pakai perlindungan mata.		Bahaya letupan
	Bahaya rosak fros		Bahaya sogokan
	Bahaya amputasi – bahagian bergerak		Bahaya Bahan Kimia
	Bahaya terma panas		Menghakis

Mesej Keselamatan

AMARAN

Komponen yang tertentu dalam produk ini dan aksesori yang berkaitan mengandungi bahan kimia yang pada pengetahuan Negeri California boleh menyebabkan barah, kecacatan kelahiran atau kemudaran reproduktif yang lain. Cuci tangan selepas pengendalian.

AMARAN

Ekzos enjin daripada produk ini mengandungi bahan kimia yang pada pengetahuan Negeri California boleh menyebabkan barah, kecacatan kelahiran atau kemudaran reproduktif yang lain.

AMARAN

Enjin-Enjin Briggs & Stratton tidak direka untuk dan bukan untuk digunakan bagi menajana: fun-kart; go-kart; kenderaan untuk kanak-kanak, untuk rekreasi atau kenderaan pelbagai permukaan (ATV); motosikal; hoverkraf; produk-produk pesawat udara atau kenderaan yang digunakan dalam acara kompetitif yang tidak dibenarkan oleh Briggs & Stratton. Untuk maklumat mengenai produk perlumbaan kompetitif, lihat www.briggsracing.com. Untuk kegunaan dengan kenderaan utiliti dan ATV sebelah menyebelah, sila hubungi Briggs & Stratton Engine Application Center (Pusat Penggunaan Enjin), 1-866-927-3349. Aplikasi enjin yang tidak betul boleh menyebabkan kecederaan serius atau kematian.

AMARAN

Bahan api dan warnanya amat mudah terbakar dan mudah meletup.

Kebakaran atau letupan boleh menyebabkan luka terbakar teruk atau kematian.

Apabila Menambah Bahan Api

- Matikan enjin penjana dan biarkan ia sejuk sekurang-kurangnya 2 minit sebelum membuka tutup bahan api.
- Isi tangki bahan api di luar atau di dalam kawasan yang mempunyai pengudaraan yang baik.
- Jangan mengisi lebih tangki. Bagi membolehkan pengembangan bahan api, jangan isi melebihi bahagian bawah leher tangki bahan api.
- Simpan bahan api jauh dari percikan api, nyalaan terbuka, lampu panduan, haba dan sumber penyalan lain.
- Periksa saluran bahan api, tangki, tutup dan kemasan dengan kerap untuk keretakan atau kebocoran. Gantikan jika perlu.
- Jika bahan api tumpah, tunggu sehingga ia menyejat sebelum memulakan enjin.

Apabila Menghidupkan Enjin

- Pastikan palam pencucuh, peredam, penutup bahan api dan pembersih udara (jika dilengkapi) berada di tempatnya dengan kemas dan selamat.
- Jangan mengengkol enjin dalam keadaan palam pencucuh dikeluarkan.
- Jika enjin dibanjiri bahan api, tetapkan pencekik (jika dilengkapi) ke posisi BUKA / BEROPERASI, tolak pendikit (jika dilengkapi) ke posisi LAJU dan pusingkan engkol sehingga enjin hidup.

Apabila Mengendalikan Peralatan

- Jangan condongkan enjin atau peralatan pada sudut yang menyebabkan bahan api tumpah.
- Jangan cekik karburetor untuk menghentikan enjin.
- Jangan sekali-kali menghidupkan atau menjalankan enjin dengan pemasangan pembersih udara (jika dilengkapi) atau penapis udara (jika dilengkapi) dikeluarkan.

Apabila Menukar Minyak

- Jika anda menyalirkan minyak dari tiub pengisi minyak atas, tangki bahan api mesti kosong atau bahan api boleh bocor keluar dan menyebabkan kebakaran atau letupan.

Apabila Mencondongkan Unit untuk Penyelenggaraan

- Apabila menjalankan penyelenggaraan yang memerlukan unit dicondongkan, tangki bahan api, jika dipasang pada enjin, mestilah kosong atau bahan api boleh bocor dan menyebabkan kebakaran atau letupan.

Apabila Mengangkut Peralatan

- Pengangkutan dengan tangki bahan api yang KOSONG atau dengan bahan api injap tutup dalam kedudukan TERTUTUP.

Apabila Menyimpan Bahan Api Atau Peralatan Dengan Bahan Api Dalam Tanki

- Simpan jauh dari relau, dapur, pemanas air, pengering pakaian, atau perkakasan lain yang mempunyai lampu utama atau sumber pencucuhan lain sebab ia boleh mencucuh wap bahan api.



Menghidupkan enjin menyebabkan percikan.

Percikan boleh menyalakan gas mudah terbakar yang berhampiran.

Letupan dan kebakaran boleh berlaku.

- Jika terdapat kebocoran gas asli atau LP di dalam kawasan, jangan hidupkan enjin.
- Jangan gunakan cecair pemula bertekanan kerana wap mudah terbakar.



BAHAYA GAS BERACUN. Ekzos enjin mengandungi karbon monoksida, gas beracun yang boleh membunuh anda dalam beberapa minit. Anda **TIDAK BOLEH** melihatnya, membaunya, atau merasainya. Malah jika anda tidak terbau asap ekzos, anda masih boleh terdedah kepada gas karbon monoksida. Jika anda mula berasa sakit, pening atau lemah semasa menggunakan produk ini, matikannya dan dapatkan udara segar SERTA-MERTA. Jumpa doktor. Anda mungkin mengalami keracunan karbon monoksida.

- Kendalikan produk ini HANYA di luar jauh dari tingkap, pintu dan ruang udara untuk mengurangkan risiko gas karbon monoksida daripada terkumpul dan berpotensi disedut ke arah ruang yang dihuni.
- Pasang penggera karbon monoksida kendalian bateri atau penggera karbon monoksida pasang masuk dengan bateri sokongan mengikut arahan pengeluar. Penggera asap tidak dapat mengesan gas karbon monoksida.
- JANGAN kendalikan produk ini di dalam rumah, garaj, ruang bawah tanah, ruang rangkai, bangsal, atau ruang separa tertutup yang lain walaupun kipas digunakan

atau pintu dan tingkap dibuka untuk pengudaraan. Karbon monoksida boleh terkumpul dengan cepat dalam ruang ini dan boleh berlegar berjam-jam, walaupun selepas produk ini dimatikan.

- SENTIASA letakkan produk ini mengikut arah angin dan halakan ekzos enjin jauh dari ruang yang dihuni.



Penarikan balik pantas tali penghidup (tendang balik) akan menarik tangan dan lengan ke arah enjin lebih pantas daripada anda boleh melepaskannya.

Tulang patah, keretakan, lebam atau terseliuh boleh berlaku.

- Apabila menghidupkan enjin, tarik tali perlahan-lahan sehingga rintangan dirasai dan kemudian tarik dengan cepat untuk mengelakkan tendang balik.
- Keluarkan semua peralatan luar / beban enjin sebelum menghidupkan enjin.
- Komponen peralatan berkembar langsung seperti , tetapi tidak terhad kepada bilah, pendesak, kapi, gegancu, dsb., mesti dilekatkan dengan kemas.



Bahagian yang berputar boleh tersentuh atau membelit tangan, kaki, rambut, pakaian, atau aksesori.

Amputasi traumatik atau luka yang teruk boleh berlaku.

- Kendali peralatan dengan berhati-hati.
- Jauhkan tangan dan kaki daripada bahagian yang berputar.
- Ikut rambut yang panjang dan tanggalkan barang kemas.
- Jangan pakai pakaian longgar, tali cerut yang terjantai atau barangan yang boleh tersangkut.



Enjin yang hidup mengeluarkan haba. Bahagian enjin, terutamanya peredam, menjadi terlampau panas.

Luka melecur yang teruk akibat haba boleh berlaku apabila tersentuh.

Serpihan mudah terbakar, seperti daun, rumput, belukar, dsb. boleh terbakar.

- Biarkan peredam, silinder enjin dan sirip menyejuk sebelum menyentuhnya.
- Bersihkan serpihan yang terkumpul dari kawasan peredam dan kawasan silinder.
- Ia merupakan satu pelanggaran Kod Sumber Awam California, Seksyen 4442, untuk mengguna atau mengendalikan enjin di atas mana-mana tanah yang diliputi hutan, diliputi belukar atau diliputi rumput melainkan jika sistem ekzos dilengkapi dengan perangkap percikan, seperti yang ditakrif dalam Seksyen 4442, diselenggara supaya berfungsi dengan berkesan. Bidang kuasa negeri lain atau persekutuan mungkin mempunyai undang-undang yang serupa. Hubungi pengeluar peralatan asal, peruncit, atau peniaga bagi mendapatkan perangkap percikan yang direka untuk sistem ekzos yang dipasang pada enjin ini.



Cetusan tidak disengajakan boleh menyebabkan kebakaran atau kejutan elektrik.

Pemulaan yang tidak disengajakan boleh menyebabkan tersangkut, amputasi traumatik atau luka melecut.

Bahaya kebakaran

Sebelum melaksanakan pelarasan atau pembaikan:

- Sambung wayar palam pencucuh (10,A) ke palam pencucuh.
- Cabut bateri pada terminal negatif (hanya enjin dengan penghidup elektrik.)
- Hanya guna alat yang betul.
- Jangan mengganggu pegas pengawal laju, pautan atau bahagian lain untuk meningkatkan kelajuan enjin.
- Bahagian gantian mesti sama dan dipasang dalam posisi sama seperti mana bahagian asal. Bahagian lain mungkin tidak berfungsi dengan baik, mungkin merosakkan unit, dan mungkin menyebabkan kecederaan.
- Jangan ketuk roda tenaga dengan tukul atau objek keras kerana roda tenaga mungkin pecah kemudian semasa pengendalian.

Apabila menguji percikan:

- Gunakan penguji palam pencucuh yang diluluskan.
- Jangan periksa percikan dengan palam pencucuh dikeluarkan.

Ciri dan Alat Kawalan

Kawalan Enjin

Bandingkan ilustrasi (Rajah: 1, 2, 3, 4) dengan enjin anda untuk membiasakan diri anda dengan lokasi pelbagai ciri dan kawalan.

- A. Nombor Pengenalan Enjin **Model - Jenis - Kod**
- B. Palam Pencucuh
- C. Tangki dan Penutup Bahan api
- D. Pembersih Udara
- E. Pemegang Kord Pemula
- F. Isi Minyak dan Batang Celup
- G. Palam Salir Minyak
- H. Peredam, Pengawal Peredam (jika dilengkapi), Pembendung Bunga Api (jika dilengkapi)
- I. Kawalan Pencekik
- J. Kawalan Pendikit (jika dilengkapi)
- K. TransportGuard™ - Tuil Bahan Api dan Pencucuhan
- L. Jeriji Ambilan Udara
- M. Unit Pengurangan gear (jika dilengkapi)
- N. Suis Berhenti (jika dilengkapi)
- O. Suis Mula Elektrik (jika dilengkapi) ¹

¹ Sesetengah enjin dan peralatan mempunyai alat kawalan jauh. Lihat buku panduan peralatan untuk lokasi dan pengendalian alat kawalan jauh.

Simbol dan Maksud Kawalan Enjin

Simbol	Maksud	Simbol	Maksud
	Kelajuan enjin - PANTAS		Kelajuan enjin - PERLAHAN
	Kelajuan enjin - HENTI		HIDUP - MATI
	Hidupkan enjin - Pencekik DITUTUP		Hidupkan enjin - Pencekik DIBUKA
	Penutup Bahan Api Penutup Bahan Api - BUKA		Penutup Bahan Api - DITUTUP
	Paras Bahan Api - Maksimum Jangan terlebih isi		

Operasi

Minyak Yang Disyorkan

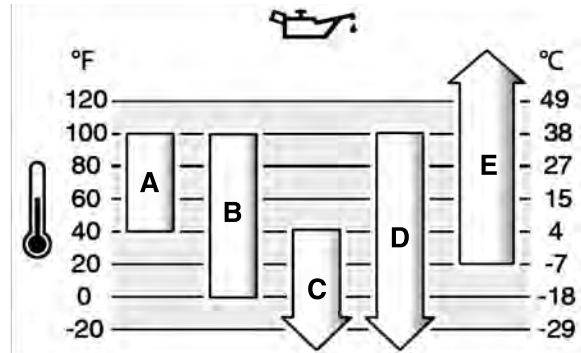
Kapasiti Minyak: Lihat bahagian *Spesifikasi*.

NOTIS

Enjin ini dihantar dari Briggs & Stratton tanpa minyak. Pengilang atau penjual peralatan mungkin sudah menambahkan minyak ke dalam enjin. Sebelum anda menghidupkan enjin untuk kali pertama, pastikan anda memeriksa paras minyak dan menambah minyak mengikut arahan dalam buku panduan ini. Jika anda menghidupkan enjin tanpa minyak, ia akan rosak tanpa boleh diperbaiki dan tidak akan dilindungi di bawah jaminan.

Kami mengesyorkan penggunaan minyak dengan Jaminan yang Diperakui Briggs & Stratton untuk prestasi terbaik. Lain-lain minyak pencuci yang berkualiti tinggi boleh diterima jika diklasifikasikan untuk servis SF, SG, SH, SJ atau lebih tinggi. Jangan gunakan tambahan khas.

Suhu luar menentukan kelikatan minyak yang betul untuk enjin. Gunakan carta untuk memilih kelikatan yang terbaik untuk julat suhu di luar yang dijangkakan. Enjin dalam kebanyakan peralatan kuasa luar berfungsi dengan baik menggunakan minyak Sintetik 5W-30. Untuk peralatan yang digunakan pada suhu panas, minyak Sintetik Vanguard™ 15W-50 memberikan perlindungan yang terbaik.



A	SAE 30 - Penggunaan SAE 30 pada suhu di bawah 4°C (40°F) akan menyebabkan permulaan yang sukar.
B	10W-30 - Penggunaan 10W-30 pada suhu 27°C (80°F) ke atas boleh menyebabkan penggunaan minyak meningkat. Periksa paras minyak dengan lebih kerap.
C	5W-30
D	Sintetik 5W-30
E	Vanguard™ Sintetik 15W-50

Periksa Paras Minyak

Lihat Rajah: 5

Sebelum menambah atau memeriksa minyak

- Pastikan enjin stabil.
- Bersihkan kawasan mengisi minyak dari sebarang puing.

1. Tanggalkan batang celup (A, Rajah 5) dan lap dengan kain bersih.
2. Pasang batang celup (A, Rajah 5). **Jangan pusing atau ketatkan.**
3. Tanggalkan batang celup dan periksa paras minyak. Paras minyak yang betul adalah pada bahagian atas penanda penuh (B, Rajah 5) pada batang celup.
4. Jika paras minyak rendah, tambah minyak perlahan-lahan ke dalam tangki minyak enjin (C, Rajah 5). Isi sehingga penuh.
5. Pasang semula dan ketatkan batang celup (A, Rajah 5).

Sistem Perlindungan Minyak Rendah (jika dilengkapi dengannya)

Sesetengah enjin dilengkapi dengan pengesan minyak rendah. Jika paras minyak rendah, pengesan akan mengaktifkan lampu amaran atau memberhentikan enjin. Berhentikan enjin dan ikuti langkah-langkah ini sebelum menghidupkan semula enjin.

- Pastikan enjin dalam keadaan mendatar.
- Periksa paras minyak. Lihat bahagian **Periksa Paras Minyak** bahagian.
- Jika paras minyak rendah, tambahkan jumlah minyak yang sesuai. Hidupkan enjin dan pastikan lampu amaran (jika dilengkapi dengannya), tidak diaktifkan.
- Jika paras minyak tidak rendah, jangan hidupkan enjin. Hubungi Ejen Servis Sah Briggs & Stratton untuk memperbetulkan masalah minyak tersebut.

Cadangan Bahan Api

Bahan api mesti memenuhi syarat-syarat ini:

- Petrol yang bersih, segar, tiada plumbum.
- Minima oktana 87/AKI 87 (RON 91) boleh diterima. Kegunaan altitud tinggi, lihat di bawah.
- Petrol dengan sehingga 10% etanol (gasohol) boleh diterima.

NOTIS Jangan gunakan petrol yang tidak diluluskan seperti E15 dan E85. Jangan campurkan minyak ke dalam petrol atau mengubahsuai enjin untuk bergerak dengan bahan api gantian. Penggunaan bahan api yang tidak diluluskan akan merosakkan komponen enjin, yang mana tidak akan dilindungi di bawah waranti.

Untuk melindungi sistem bahan api daripada pembentukan gam, campurkan penstabil bahan api ke dalam bahan api. Lihat **Storan**. Semua bahan api tidak sama. Jika masalah untuk menghidupkan atau masalah prestasi berlaku, tukar penyedia bahan api atau tukar jenama. Enjin ini diperakui untuk beroperasi dengan petroleum. Sistem kawalan pengeluaran bagi enjin ini ialah EM (Modifikasi Enjin).

Altitud Tinggi

Pada altitud melebihi 5,000 kaki (1524 meter), minima petrol 85 oktana/85 AKI (89 RON) boleh diterima.

Bagi enjin dengan karburetor, pelarasan altitud tinggi diperlukan untuk mengekalkan prestasi. Pengendalian tanpa pelarasan ini akan menyebabkan penurunan prestasi, peningkatan penggunaan bahan api dan peningkatan emisi. Hubungi Ejen Servis Sah Briggs & Stratton untuk maklumat tentang pelarasan altitud tinggi. Operasi enjin pada altitud di bawah 2,500 kaki (762 meter) dengan pelarasan altitud tinggi adalah tidak disyorkan.

Bagi enjin Pancitan Bahan Api Elektronik (EFI), pelarasan altitud tinggi tidak diperlukan.

Menambah Bahan Api

Lihat Gambar Rajah: 6



AMARAN

Bahan api dan warnanya amat mudah terbakar dan mudah meletup.

Kebakaran atau letupan boleh menyebabkan melecur teruk atau kematian.

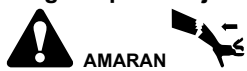
Apabila menambah bahan api

- Matikan enjin dan biarkan enjin menyejuk sekurang-kurangnya selama 2 minit sebelum menanggalkan penutup bahan api.
 - Isikan tangki bahan api di luar rumah atau di kawasan dengan pengudaraan yang baik.
 - Jangan terlebih isi tangki bahan api. Untuk memberi ruang bagi bahan api mengembang, jangan isi melebihi bahagian bawah leher tangki bahan api.
 - Jauhkan bahan api daripada percikan bunga api, nyalaan terbuka, api pandu, haba dan lain-lain sumber nyalaan.
 - Periksa baris-baris, tangki, penutup dan lengkapan bahan api dengan kerap untuk sebarang keretakan atau kebocoran. Gantikan jika perlu.
 - Jika bahan api tertumpah, tunggu sehingga ia sejat sebelum menghidupkan enjin.
1. Bersihkan kawasan penutup bahan api daripada kotoran dan sampah-sarap. Tanggalkan penutup bahan api.
 2. Penuhkan tangki bahan api (A, Rajah 6) dengan bahan api. Untuk memberi ruang bagi bahan api mengembang, jangan isi melebihi bahagian bawah leher tangki bahan api (B).
 3. Pasang semula penutup tangki.

Menghidupkan dan Mematikan Enjin

Lihat Rajah: 7, 8

Menghidupkan Enjin



AMARAN

Penarikan semula pantas tali penghidup (tendang balik) akan menarik tangan dan lengan ke arah enjin lebih pantas daripada anda boleh melepaskannya.

Tulang patah, keretakan, lebam atau terseliuh boleh berlaku.

- Apabila menghidupkan enjin, tarik tali penghidup perlahan-lahan sehingga rintangan dirasakan dan kemudian tarik dengan pantas untuk mengelakkan tendang balik.



AMARAN

Bahan api dan warnanya amat mudah terbakar dan mudah meletup.

Kebakaran atau letupan boleh menyebabkan luka terbakar teruk atau kematian.

Apabila Menghidupkan Enjin

- Pastikan palam pencucuh, peredam, penutup bahan api dan pembersih udara (jika dilengkapi) berada di tempatnya dengan kemas dan selamat.
- Jangan mengengkol enjin dengan palam pencucuh yang telah dikeluarkan.
- Jika enjin banjir, tetapkan pencekik (jika dilengkapi) ke posisi BUKA atau JALAN, tolak pendikit (jika dilengkapi) ke posisi LAJU dan mengengkol sehingga enjin bermula.



AMARAN

BAHAYA GAS BERACUN. Ekzos enjin mengandungi karbon monoksida, gas beracun yang boleh membunuh anda dalam beberapa minit. **Anda TIDAK BOLEH melihatnya, membaunya, atau merasanya. Malah jika anda tidak bau asap ekzos, anda masih boleh terdedah kepada gas karbon monoksida. Jika anda mula berasa sakit, pening atau lemah semasa menggunakan produk ini, matikannya dan dapatkan udara segar SERTA-MERTA. Pergi berjumpa doktor. Anda mungkin mengalami keracunan karbon monoksida.**

- Kendalikan produk ini HANYA di luar jauh dari tingkap, pintu dan ruang udara untuk mengurangkan risiko gas karbon monoksida daripada terkumpul dan berpotensi disedut ke arah ruang yang dihuni.
- Pasang penggera karbon monoksida menggunakan bateri atau penggera karbon monoksida dipasang dengan bateri sokongan mengikut arahan pengeluar. Penggera asap tidak dapat mengesan gas karbon monoksida.
- JANGAN menjalankan produk ini di dalam rumah, garaj, ruang bawah tanah, ruang merangkak, bangsal atau ruang separa tertutup lain walaupun menggunakan kipas atau membuka pintu dan tingkap untuk pengudaraan. Karbon monoksida dengan cepat boleh terkumpul dalam ruang ini dan boleh berlegar berjam-jam, walaupun selepas produk ini dimatikan.
- SENTIASA letak produk ini di bawah tiupan angin dan halakan ekzos enjin jauh dari ruang yang dihuni.

NOTIS Enjin ini dihantar dari Briggs & Stratton tanpa minyak. Sebelum anda menghidupkan enjin, pastikan anda menambah minyak mengikut arahan dalam manual ini. Jika anda menghidupkan enjin tanpa minyak, ia akan rosak tanpa boleh diperbaiki dan tidak akan dilindungi di bawah jaminan.

Nota: Peralatan mungkin mempunyai alat kawalan jauh. Lihat buku panduan peralatan untuk lokasi dan pengendalian alat kawalan jauh.

1. Periksa minyak enjin. Lihat bahagian **Periksa Paras Minyak**.
 2. Pastikan kawalan memandu peralatan, jika dilengkapi, adalah dilepaskan.
 3. Tolak tuil bahan api atau pencucuhan (A, Rajah 7), jika dilengkapi, ke posisi hidup atau berhenti.
 4. Gerakkan alat kawalan pendikit (B, Rajah 7), jika dilengkapi, ke posisi laju. Kendalikan enjin dalam posisi pantas.
 5. Tolak kawalan pencekik (C, Rajah 7, 8), ke posisi tutup.
- Nota:** Cekik selalunya tidak diperlukan semasa menghidupkan semula enjin panas.
6. Tolak suis berhenti (E, Rajah 8), jika dilengkapi, ke posisi hidup.
 7. **Putarkan Semula Mula, jika dilengkapi:** Pegang pemegang kord pemula dengan kemas (D, Rajah 7, 8). Tarik pemegang tali pemula dengan perlahan sehingga merasakan rintangan, kemudian tarik dengan pantas.



AMARAN

Penarikan semula pantas tali pemula (tendang balik) akan menarik tangan dan lengan anda ke arah enjin lebih pantas daripada anda boleh melepaskannya. Tulang patah, keretakan, lebam atau terseliuh boleh berlaku. Apabila menghidupkan enjin, tarik tali penghidup perlahan-lahan sehingga rintangan dirasakan dan kemudian tarik dengan pantas untuk mengelakkan tendang balik.

8. **Pemula Elektrik, jika dilengkapi:** Tolak suis mula elektrik (F, Rajah 8) ke posisi hidup atau mula.

NOTIS Untuk memanjangkan jangka hayat pemula, gunakan kitaran permulaan pendek (maksimum lima saat). Tunggu satu minit antara kitaran pemulaan.

9. Semasa enjin dipanaskan, tolak kawalan pencekik (C, Rajah 7, 8) ke posisi buka.

Nota: Jika enjin tidak bermula selepas cubaan berulang, hubungi pengedar tempatan atau pergi ke VanguardEngines.com atau hubungi **1-800-999-9333** (di USA).

Hentikan Enjin



AMARAN

Bahan api dan wapnya amat mudah terbakar dan mudah meletup.

Kebakaran atau letupan boleh menyebabkan luka terbakar teruk atau kematian.

- Jangan cekik karburetor untuk menghentikan enjin.
1. **Suis Berhenti, jika dilengkapi:** Tolak suis berhenti (E, Rajah 8) ke posisi berhenti. **Tuil Bahan Api dan Pencucuhan, jika dilengkapi:** Tolak tuil bahan api dan pencucuhan (A, Rajah 7) ke posisi mati atau berhenti.
 2. **Pemula Elektrik, jika dilengkapi:** Tanggalkan kunci. Jauhkan kunci daripada kanak-kanak.

Penyenggaraan

NOTIS Jika enjin disengetkan semasa kerja-kerja penyenggaraan, tangki bahan api, sekiranya dipasang pada enjin, haruslah dalam keadaan kosong dan bahagian di mana terletak palam pencucuh hendaklah dinaikkan. Jika tangki bahan api tidak kosong dan sekiranya enjin disengetkan pada bahagian yang lain, mungkin akan berlaku kesukaran untuk menghidupkan enjin disebabkan minyak atau petrol telah mencemarkan penapis udara dan/atau palam pencucuh.



AMARAN

Apabila melakukan kerja-kerja penyenggaraan yang memerlukan unit tersebut disengetkan, tangki bahan api, jika dipasang pada enjin, haruslah dalam keadaan kosong atau bahan api boleh meleleh keluar dan menyebabkan kebakaran atau letupan.

Kami syorkan anda berjumpa dengan mana-mana Ejen Servis Sah Briggs & Stratton untuk semua kerja-kerja penyenggaraan dan servis enjin dan bahagian-bahagian enjin.

NOTIS All the components used to build this engine must remain in place for proper operation.



AMARAN

Percikan bunga api yang tidak disengajakan boleh menyebabkan kebakaran atau kejutan elektrik.

Menghidupkan enjin tanpa disengajakan boleh menyebabkan sesuatu terperangkap, pemetongan anggota badan yang traumatik atau luka melecut.

Bahaya Kebakaran

Sebelum melakukan pelarasan atau pembaikan:

- Putuskan sambungan wayar palam pencucuh dan jauhkannya daripada palam pencucuh.
- Putuskan sambungan bateri di terminal negatif (hanya pada enjin dengan pemula elektrik.)
- Gunakan hanya peralatan yang betul.
- Jangan ganggu spring governor, sambungan atau lain-lain alat untuk menambah kelajuan enjin.
- Alat-alat ganti mestilah daripada rekaan yang sama dan dipasang pada posisi yang sama dengan alat-alat yang asal. Lain-lain alat mungkin tidak akan berfungsi dengan baik, mungkin merosakkan unit dan mungkin menyebabkan kecederaan.
- Jangan pukul roda tenaga dengan penukul atau objek keras kerana roda tenaga boleh berkecai semasa operasi.

Apabila menguji untuk percikan bunga api:

- Gunakan penguji palam pencucuh yang diluluskan.
- Jangan lakukan ujian untuk percikan bunga api apabila palam pencucuh ditanggalkan.

Servis Kawalan Pengeluaran

Penyenggaraan, penggantian atau pembaikan peranti dan sistem kawalan pengeluaran boleh dijalankan oleh mana-mana syarikat atau individu membaiki enjin di tepi jalan. Walaubagaimanapun, untuk mendapatkan servis kawalan pengeluaran "tiada

caji", kerja tersebut mestilah dijalankan oleh seorang ejen sah kilang. Lihat Penyata-Penyata Kawalan Pengeluaran.

Jadual Penyenggaraan

5 Jam Pertama
<ul style="list-style-type: none">• Tukar minyak
Setiap 8 Jam atau Setiap Hari
<ul style="list-style-type: none">• Periksa paras minyak enjin• Bersihkan kawasan di sekitar peredam dan alat kawalan• Bersihkan jerijiambilan udara
Setiap 25 Jam atau Setiap Tahun
<ul style="list-style-type: none">• Bersihkan penapis udara ¹• Bersihkan pra-pembersih ¹
Setiap 50 Jam atau Setiap Tahun
<ul style="list-style-type: none">• Tukar minyak enjin• Servis sistem ekzos
Setiap 100 Jam
<ul style="list-style-type: none">• Tukar minyak pengurangan gear (jika dilengkapi)
Setiap Tahun
<ul style="list-style-type: none">• Gantikan palam pencucuh• Gantikan penapis udara• Gantikan pra-pembersih• Servis sistem bahan api• Servis sistem penyejukan ¹• Periksa pembersihan injap ²

¹ Dalam keadaan berhabuk atau apabila terdapat kotoran di udara, bersihkan dengan lebih kerap.

² Tidak diperlukan kecuali masalah prestasi enjin dikesan.

Karburetor dan Kelajuan Enjin

Jangan sekali-kali membuat pelarasan kepada karburetor atau kelajuan enjin Karburetor telah ditetapkan di kilang untuk beroperasi dengan cekap di dalam kebanyakan keadaan. Jangan ganggu spring governor, sambungan atau lain-lain alat untuk mengubah kelajuan enjin. Jika sebarang pelarasan diperlukan, hubungi Ejen Servis Sah Briggs & Stratton untuk perkhidmatan.

NOTIS Pembuat peralatan menetapkan kelajuan maksima untuk enjin seperti yang dilekapkan pada peralatan. **Jangan melebihi** kelajuan ini. Jika anda tidak pasti apakah kelajuan maksima peralatan tersebut atau apakah kelajuan enjin yang telah ditetapkan di kilang, hubungi Ejen Servis Sah Briggs & Stratton untuk bantuan. Untuk pengendalian peralatan yang selamat dan betul, kelajuan enjin hendaklah dilaraskan hanya oleh seorang juruteknik servis yang bertauliah.

Servis Palam Pencucuh

Lihat Gambar Rajah: 9

Periksa jurang (A, Rajah 9) dengan menggunakan tolok dawai (B). Jika perlu, set semula jurang tersebut. Pasang dan ketatkan palam pencucuh kepada tork yang disyorkan. Untuk tetapan jurang atau tork, lihat bahagian **Spesifikasi** bahagian.

Nota: Di sesetengah kawasan, undang-undang tempatan memerlukan penggunaan satu perintang palam pencucuh untuk menyekat isyarat-isyarat penyalan. Jika enjin ini, pada asalnya telah dilengkapi dengan perintang palam pencucuh, gunakan jenis yang sama apabila hendak menggantikannya.

Sistem Perkhidmatan Ekzos



AMARAN

Enjin yang bergerak menghasilkan haba. Bahagian enjin, terutama peredam bunyi, menjadi sangat panas.

Kebakaran terma yang teruk boleh berlaku apabila bersentuhan.

Puing mudah terbakar, contohnya daun-daun, rumput, berus, dsb boleh mencipta kebakaran.

- Biarkan peredam bunyi, silinder enjin dan sirip sejuk sebelum menyentuhnya.
- Buang puing yang terkumpul daripada kawasan peredam bunyi dan kawasan silinder.
- Adalah melanggar Kod Sumber Awam California, Seksyen 4442, untuk mengguna atau mengendali enjin pada sebarang tanah diliputi hutan, diliputi semak, atau diliputi rumput kecuali sistem ekzos dilengkapi dengan pembendung bunga api, sebagai yang dijelaskan dalam Seksyen 4442, disenggara dalam perintah bekerja yang berkesan. Negeri-negeri lain atau bidang kuasa persekutuan mungkin mempunyai undang-undang sama. Hubungi pengeluar kelengkapan asli, peruncit, atau peniaga untuk memperoleh pembendung bunga api yang direka untuk sistem ekzos yang dipasang pada enjin ini.

Tanggalkan puing yang terkumpul daripada peredam bunyi dan kawasan silinder. Periksa peredam bunyi untuk rekahan, hakisan, atau kerosakan lain. Buang pemesong atau pembendung bunga api, jika dilengkapkan, dan periksa kerosakan atau penghalangan karbon. Jika kerosakan ditemui, pasang alat-alat gentian sebelum mengendali.



AMARAN

Alat-alat ganti hendaklah daripada reka bentuk yang sama dan dipasang pada posisi yang sama seperti alat-alat yang asal. Bahagian-bahagian lain mungkin tidak akan berfungsi dengan baik, mungkin akan merosakkan unit dan mungkin akan menyebabkan kecederaan.

Tukar Minyak Enjin

Lihat Rajah: 10, 11

Minyak yang telah diguna ialah sisa buangan berbahaya dan mesti dibuang dengan betul. Jangan buang bersama sisa buangan isi rumah. Semak dengan badan berkuasa tempatan, pusat servis atau peniaga anda untuk fasiliti pembuangan/kitar semula yang selamat.

Keluarkan Minyak

1. Dengan enjin dimatikan tetapi masih panas, putuskan sambungan wayar palam pencucuh (D, Rajah 10) dan jauhkannya daripada palam pencucuh (E).
2. Tarik keluar batang celup (A, Rajah 11).
3. Tanggalkan palam saliran minyak (F, Rajah 11). Salirkan minyak ke dalam bekas yang dibenarkan.

Nota: Pelbagai palam saliran minyak (G, Rajah 11) dipasang dalam enjin.

4. Selepas minyak disalurkan, pasang dan ketatkan palam saliran minyak (F, Rajah 11).

Tambah Minyak

- Pastikan enjin dalam keadaan sekata.
 - Bersihkan sebarang kotoran di kawasan mengisi minyak.
 - Lihat bahagian **Spesifikasi** untuk kapasiti minyak.
1. Tarik keluar batang celup (A, Rajah 11) dan lap dengan kain yang bersih.
 2. Tuang minyak dengan perlahan-lahan ke dalam bekas isian minyak enjin (C, Rajah 11). Isi hingga titik melimpah.
 3. Tarik keluar batang celup (A, Rajah 11). **Jangan buka atau ketatkan.**
 4. Tarik keluar batang celup dan periksa aras minyak. Aras minyak yang betul ialah di atas penunjuk penuh (B, Rajah 11) pada batang celup.
 5. Masukkan semula dan ketatkan batang celup (A, Rajah 11).
 6. Sambungkan wayar palam pencucuh (D, Rajah 10) kepada palam pencucuh (E).

Tukar Minyak Pengurangan Gear

Lihat Rajah: 12, 13

Pengurangan Gear 6:1 (Rajah 12)

Jika enjin anda dilengkapi dengan unit pengurangan gear 6:1, lakukan servis seperti berikut:

1. Keluarkan palam isi minyak (A, Rajah 12) dan palam aras minyak (B).
2. Keluarkan palam salir minyak (C, Rajah 12) dan alirkan minyak ke dalam bekas yang sesuai.
3. Tanggalkan palam salir minyak (C, Rajah 12).
4. Untuk mengisi semula, perlahan-lahan tuangkan minyak pelincir gear (lihat bahagian **Spesifikasi**) ke dalam lubang isi minyak (D, Rajah 12). Terus mencurahkan sehingga minyak keluar dari lubang aras minyak (E).
5. Masukkan semula dan ketatkan batang celup (B, Rajah 12).
6. Masukkan semula dan ketatkan batang celup (A, Rajah 12).

Nota: Palam mengisi minyak (A, Rajah 12) mempunyai lubang bolong (F) dan mesti dipasang pada bahagian atas penutup gear seperti yang ditunjukkan.

Pengurangan Gear 2:1 (Rajah 13)

Unit pengurangan gear 2:1 (G, Rajah 13) tidak memerlukan penukaran minyak.

Servis Penapis Udara

Lihat Rajah: 14, 15, 16



AMARAN

Bahan api dan wapnya amat mudah terbakar dan mudah meletup.

Kebakaran atau letupan boleh menyebabkan luka terbakar teruk atau kematian.

- Jangan sekali-kali menghidupkan enjin dengan pemasangan pembersih udara (jika dilengkapi) atau penapis udara (jika dilengkapi) ditanggalkan.

NOTIS Jangan gunakan tekanan udara atau bahan pelarut untuk membersihkan penapis. Tekanan udara boleh merosakkan penapis dan pelarut akan melarutkan penapis.

Lihat **Jadual Penyenggaraan** untuk keperluan servis.

Pelbagai model menggunakan sama ada penapis busa atau kertas. Sesetengah model juga mungkin mempunyai pilihan pra pembersih yang boleh dibasuh dan digunakan semula. Bandingkan ilustrasi di dalam manual ini dengan jenis yang dipasang pada enjin anda dan servis seperti yang diarahkan.

Penapis Udara Buih

1. Longgarkan pengikat (A, Rajah 14).
2. Tanggalkan penutup (B, Rajah 14).
3. Buang pengikat (D, Rajah 14) dan pembasuh (E).
4. Untuk mengelakkan kotoran daripada jatuh ke dalam karburetor, tanggalkan bahagian berbusa dengan berhati-hati (C, Rajah 14) daripada tapak penapis udara (G).
5. Keluarkan cawan sokongan (F, Rajah 14) daripada elemen buih (C).
6. Cuci bahagian berbusa (C, Rajah 14) dalam cecair pencuci dan air. Perah bahagian berbusa sehingga kering dengan sehelai kain bersih.
7. Tepukan bahagian berbusa (C, Rajah 14) dengan minyak enjin yang bersih. Untuk membuang minyak enjin yang berlebihan, perah bahagian berbusa dengan sehelai kain bersih.
8. Masukkan cawan sokongan (F, Rajah 14) ke dalam unsur buih (C).
9. Pasang unsur buih (C, Rajah 14) ke asas penapis udara (G) dan ke stud (H). Pastikan unsur buih dipasang dengan betul ke pangkalan penapis udara dan selamat dengan pembasuh (E) dan pengikat (D).
10. Pasang penutup (B, Rajah 14) dan ketatkan dengan pengikat (A). Pastikan pengikat benar-benar ketat.

Penapis Udara Kertas

1. Longgarkan pengikat (A, Rajah 15).
2. Tanggalkan penutup (B, Rajah 15).
3. Tarik keluar batang celup (E, Rajah 15).
4. Untuk mengelakkan kotoran daripada terjatuh ke dalam karburetor, tanggalkan alat pra-pembersih dengan berhati-hati (D, Rajah 15) jika dilengkapi, dan penapis (C) daripada tapak penapis udara (F).

- Untuk melonggarkan kotoran, tepuk penapis dengan lembut (C, Rajah 15) pada permukaan yang keras. Jika penapis terlalu kotor, gantikan dengan penapis baharu.
- Tanggalkan pra-pembersih (D, Rajah 15) jika dilengkapi, daripada penapis (C).
- Basuh pra pembersih (D, Rajah 15) di dalam cecair pencuci dan air. Biarkan pra pembersih benar-benar kering. **Jangan** sapu minyak pada pra pembersih.
- Pasangkan pra-pembersih yang kering (D, Rajah 15) jika dilengkapi, ke penapis (C).
- Pasang pembasuh pelekat (H, Rajah 15), penapis (C) dan pra-pembersih (D) jika dilengkapi, ke tapak penapis udara (F) dan ke atas stud (G). Pastikan penapis dipasang dengan betul untuk penapis udara berasaskan dan selamat dengan pengikat (E).
- Pasang penutup (B, Rajah 15) dan ketatkan dengan pengikat (A). Pastikan pengikat benar-benar ketat.

Penapis Udara Kertas

- Longgarkan pengikat (D, Rajah 16).
- Tanggalkan penutup (A, Rajah 16).
- Tanggalkan pra-pembersih (C, Rajah 16) jika dilengkapi, dan penapis (B).
- Untuk melonggarkan serpihan, tepuk penapis dengan lembut (B, Rajah 16) pada permukaan yang keras. Jika penapis terlalu kotor, gantikan dengan penapis baharu.
- Basuh pra-pembersih (C, Rajah 16) jika dilengkapi, di dalam cecair pencuci dan air. Biarkan pra pembersih benar-benar kering. **Jangan** sapu minyak pada pra pembersih.
- Pasang pra-pembersih kering (C, Rajah 16), jika dilengkapi, dan penapis (B).
- Pasang penutup (A, Rajah 16) dan ketatkan dengan pengikat (D). Pastikan pengikat benar-benar ketat.

Selenggara Sistem Bahan Api

Lihat Rajah: 17, 18



Bahan api dan wapnya amat mudah terbakar dan meletup.

Kebakaran atau letupan boleh menyebabkan luka terbakar yang teruk atau kematian.

- Simpan bahan api jauh dari percikan api, nyalaan terbuka, lampu panduan, haba dan sumber penyalaan lain.
- Periksa saluran bahan api, tangki, tutup dan kemasan dengan kerap untuk keretakan atau kebocoran. Gantikan jika perlu.
- Sebelum membersihkan atau menggantikan penapis bahan api, kosongkan tangki bahan api atau tutup injap penutupan bahan api.
- Jika bahan api tumpah, tunggu sehingga ia menyejat sebelum memulakan enjin.
- Bahagian gantian mesti sama dan dipasang dalam posisi sama seperti mana bahagian asal.

Penapis Bahan Api, jika dilengkapi

- Sebelum membersihkan atau menggantikan penapis bahan api (A, Rajah 17), kosongkan tangki bahan api atau tutup injap penutupan bahan api. Jika tidak, bahan api boleh bocor keluar dan menyebabkan kebakaran atau letupan.
- Gunakan playar untuk memicit tab (B, Rajah 17) pada pengapit (C), kemudian tolak pengapit menjauhi penapis bahan api (A). Pulas dan tarik talian bahan api (D) dari penapis bahan api.
- Periksa talian bahan api (D, Rajah 17) jika ada rekahan atau kebocoran. Gantikan jika perlu.
- Gantikan penapis bahan api (A, Rajah 17) dengan penapis ganti yang asal.
- Tahan talian bahan api (D, Rajah 17) dengan pengapit (C) seperti yang ditunjukkan.

Penuras Bahan Api, jika dilengkapi

- Buka tutup bahan api (A, Rajah 18).
- Buka penuras bahan api (B, Rajah 18).
- Jika penuras bahan api kotor, bersihkan atau ganti. Jika anda menggantikan penuras bahan api, pastikan anda hanya menggunakan penuras bahan api alat ganti yang asal.

Perkhidmatan Sistem Pendinginan



Enjin yang bergerak menghasilkan haba. Bahagian enjin, terutama peredam bunyi, menjadi sangat panas.

Kebakaran terma yang teruk boleh berlaku apabila bersentuhan.

Puing mudah terbakar, contohnya daun-daun, rumput, berus, dsb boleh mencipta kebakaran.

- Biarkan peredam bunyi, silinder enjin dan sirip sejuk sebelum menyentuhnya.
- Buang puing yang terkumpul daripada kawasan peredam bunyi dan kawasan silinder.

NOTIS Jangan gunakan air untuk membersihkan enjin. Air boleh mencemarkan sistem bahan api. Gunakan berus atau kain yang kering untuk membersihkan enjin.

Ini ialah enjin dingin udara. Kotoran atau puing boleh menghalang aliran udara dan mengakibatkan enjin terlalu panas, menyebabkan prestasi buruk dan mengurangkan jangka hayat enjin.

- Gunakan berus atau kain kering untuk membuang puing dari jerejak pengambilan udara.
- Pastikan penghubung, spring dan kawalan bersih.
- Pastikan kawasan sekitar dan belakang peredam bunyi, jika dipasang, bebas daripada sebarang puing mudah terbakar.
- Pastikan minyak sirip pendingin, jika dipasang, bebas dari kotoran dan puing.

Selepas satu tempoh, puing boleh terkumpul di dalam silinder sirip pendingin dan mengakibatkan enjin menjadi terlalu panas. Puing ini tidak boleh dibuang tanpa penyahimpun separa enjin. Biarkan Ejen Servis Bertauliah Briggs & Stratton memeriksa dan membersihkan sistem pendingin udara sebagaimana disyorkan di dalam **Jadual Penyelenggaraan**.

Penyimpanan



Bahan api dan wapnya amat mudah terbakar dan mudah meletup.

Kebakaran atau letupan boleh menyebabkan luka terbakar teruk atau kematian.

Apabila Menyimpan Bahan Api Atau Peralatan Dengan Bahan Api Dalam Tangki

- Simpan jauh dari relau, dapur, pemanas air, atau perkakasan lain yang mempunyai lampu utama atau sumber pencucuhan lain sebab ia boleh mencucuh wap bahan api.

Sistem Bahan Api

Lihat Rajah: 19

Kekalkan paras enjin (kedudukan operasi biasa). Penuhkan tangki bahan api (A, Gambar Rajah 19) dengan bahan api. Bagi membolehkan pengembangan bahan api, jangan terlebih isi sehingga bahagian leher tangki bahan api (B).

Bahan api boleh menjadi tidak segar apabila disimpan lebih daripada 30 hari. Bahan api yang tidak segar menyebabkan deposit asid dan mendapan gam terbentuk dalam sistem bahan api atau di bahagian penting karburetor. Untuk kekalkan segar, gunakan **Formula Maju Rawatan & Penstabil Bahan Api Briggs & Stratton**, yang boleh didapati apabila bahagian servis tulen Briggs & Stratton dijual.

Tidak ada keperluan untuk mengeluarkan gasolin dari enjin jika penstabil bahan api ditambah mengikut arahan. Jalankan enjin selama dua (2) minit untuk mengedarkan penstabil ke seluruh sistem bahan api sebelum penyimpanan.

Jika gasolin dalam enjin belum dirawat dengan penstabil bahan api, ia mesti dikeringkan ke dalam bekas yang diluluskan. Jalankan enjin sehingga ia berhenti akibat ketiadaan bahan api. Penggunaan penstabil bahan api dalam bekas penyimpanan adalah disyorkan untuk mengekalkan kesegarannya.

Minyak Enjin

Semasa enjin masih panas, tukar minyak enjin. Lihat bahagian **Menukar Minyak Enjin** bahagian.

Penyelesaian Masalah

Untuk bantuan, hubungi wakil penjual tempatan anda atau pergi ke VanguardEngines.com atau hubungi **1-800-999-9333** (di AS).

Spesifikasi

Model: 130000	
Penggantian	12.48 ci (205 cc)
Gerek	2.688 in (68,28 mm)
Lejang	2.200 in (55,88 mm)
Kapasiti Bahan api	20 - 22 oz (.59 - .65 L)
Jenis Minyak Pengurangan Gear	80W-90
Kapasiti Minyak Pengurangan Gear	4 oz (.12 L)
Jarak Palam Pencucuh	.030 in (.76 mm)
Kilas Palam Pencucuh	180 lb-in (20 Nm)
Sela Udara Armatur	.010 - .014 in (.25 - .36 mm)
Kelekaan Injap Pengambilan	.004 - .006 in (.10 - .15 mm)
Kelekaan Injap Ekzos	.009 - .011 in (.23 - .28 mm)

Model: 190000	
Penggantian	18.63 ci (305 cc)
Gerek	3.120 in (79,24 mm)
Lejang	2.438 in (61,93 mm)
Kapasiti Bahan api	26 - 28 oz (.77 - .83 L)
Jenis Minyak Pengurangan Gear	SAE 30
Kapasiti Minyak Pengurangan Gear	12 oz (.35 L)
Jarak Palam Pencucuh	.030 in (.76 mm)
Kilas Palam Pencucuh	180 lb-in (20 Nm)
Sela Udara Armatur	.010 - .014 in (.25 - .36 mm)
Kelekaan Injap Pengambilan	.004 - .006 in (.10 - .15 mm)
Kelekaan Injap Ekzos	.004 - .006 in (.10 - .15 mm)

Kuasa enjin akan berkurangan 3.5% bagi setiap 1,000 kaki (300 meter) di atas paras laut dan 1% bagi setiap 10° F (5.6° C) di atas 77° F (25° C). Enjin akan beroperasi dengan memuaskan pada sudut sehingga 15°. Rujuk manual pengendali peralatan untuk had selamat kendalian yang dibenarkan di lereng.

Servis Bahagian - Model: 130000, 190000	
Servis Bahagian	Nombor Bahagian
Penapis Udara Busa (Model 130000, Rajah 14)	797378
Penapis Udara Kertas (Model 130000, Rajah 15)	797033
Pra-pembersih (Model 130000, Rajah 15)	798513
Penapis Udara Kertas (Model 190000, Rajah 15)	797032
Pra-pembersih (Model 190000, Rajah 15)	798795
Penapis Udara Kertas (Rajah 16)	474279
Pra-pembersih (Rajah 16)	491435S
Rawatan & Penstabil Bahan Api Formula Lanjutan	100117, 100120
Perintang Palam Pencucuh	491055
Perengkuh Palam Pencucuh	19576, 5402
Penguji Percikan Api	19368

Kami mengesyorkan supaya anda berjumpa mana-mana Peniaga Berdaftar Briggs & Stratton untuk semua kerja-kerja penyelenggaraan dan servis enjin dan bahagian enjin.

Perkadaran Kuasa: Perkadaran kuasa kasar untuk model enjin gasolin individu dilabel selaras dengan SAE (Persatuan Kejuruteraan Automatif) kod J1940 Kuasa Enjin Kecil & Prosedur Perkadaran Kilas, dan dinilai selaras dengan SAE J1995. Nilai kilas diperoleh pada 2600 RPM untuk enjin dengan "rpm" yang diletak pada label dan 3060 RPM untuk semua yang lain; nilai kuasa kuda diperoleh pada 3600 RPM. Lengkung kuasa kasar boleh dilihat di www.BRIGGSandSTRATTON.COM. Nilai kuasa bersih diambil dengan ekzos dan pembersih udara terpasang manakala nilai kuasa kasar diperoleh tanpa lekapan ini. Kuasa kasar sebenar enjin akan menjadi lebih tinggi daripada kuasa bersih enjin dan dipengaruhi oleh, antara perkara lain, syarat pengendalian sekitar dan kebolehubahan enjin ke enjin. Memandangkan jajaran luas produk di mana enjin diletakkan, enjin gasolin mungkin tidak membentuk kuasa kasar yang dikadarkan apabila digunakan di dalam peralatan kuasa yang diberikan. Perubahan ini adalah kerana pelbagai faktor termasuk, tetapi tidak terhad kepada, kepelbagaian komponen enjin (pembersih udara, ekzos,

pengeras, penyejuk, karburetor, pam minyak, dsb.) batasan penggunaan, syarat pengendalian sekitar, dan kebolehubahan enjin ke enjin. Disebabkan had-had pengeluaran dan keupayaan, Briggs & Stratton mungkin menggantikan enjin bernilai kuasa lebih tinggi dengan enjin ini.

Waranti

Waranti Enjin Briggs & Stratton

Berkuat Kuasa Januari 2016

Waranti Terhad

Briggs & Stratton menjamin bahawa dalam tempoh waranti yang dinyatakan di bawah, ia akan membaik pulih atau menggantikan, secara percuma, mana-mana bahagian yang rosak pada bahan atau mutu kerja atau kedua-duanya. Caj pengangkutan terhadap produk yang diserahkan untuk membaiki atau penggantian di bawah waranti ini perlu ditanggung oleh pembeli. Waranti ini berkuat kuasa bagi dan tertakluk pada tempoh masa dan syarat yang dinyatakan di bawah. Untuk servis waranti, anda juga boleh mencari Peniaga Servis Berdaftar yang terdekat dalam peta pengesanan peniaga kami di BRIGGSandSTRATTON.COM. Pembeli mesti menghubungi Peniaga Servis Berdaftar, dan kemudian menyerahkan produk kepada Peniaga Servis Berdaftar untuk pemeriksaan dan ujian.

Tiada jaminan tersurat yang lain. Waranti tersirat, termasuklah yang berkenaan dengan kebolehdagangan dan kesesuaian untuk tujuan tertentu, adalah terhad kepada tempoh waranti yang disenaraikan di bawah, atau setakat yang dibenarkan oleh undang-undang. Liabiliti bagi kerosakan sampingan atau berbangkit dikecualikan setakat pengecualian yang dibenarkan oleh undang-undang. Sesetengah negeri atau negara tidak membenarkan had terhadap berapa lama waranti tersirat berlangsung, dan sesetengah negeri atau negara tidak membenarkan pengecualian atau had kerosakan sampingan atau berbangkit, maka had dan pengecualian di atas mungkin tidak dikenakan kepada anda. Waranti ini memberi anda hak undang-undang yang tertentu dan anda mungkin juga mempunyai hak-hak lain yang berbeza dari satu negeri ke satu negeri dan dari satu negara ke satu negara yang lain ¹.

Terma-Terma Waranti Standard 1, 2, 3

Jenama / Nama Produk	Kegunaan Pengguna	Penggunaan Komersial
Vanguard™; Siri Komersial	36 bulan	36 bulan
Enjin Menampilkan Sarung Besi Tuang Dura-Bore™	24 bulan	12 bulan
Semua Enjin Lain	24 bulan	3 bulan

¹Ini ialah terma-terma waranti standard kami tetapi ada ketikanya mungkin terdapat perlindungan waranti tambahan yang tidak ditentukan pada masa penerbitan. Untuk senarai terma waranti semasa bagi enjin anda, pergi ke BRIGGSandSTRATTON.com atau hubungi Peniaga Servis Berdaftar Briggs & Stratton anda.

²Tiada waranti untuk enjin bagi peralatan yang digunakan untuk kuasa utama sebagai ganti utiliti atau untuk generator pengganti yang digunakan bagi tujuan komersial. Enjin yang digunakan dalam perlumbaan kompetitif atau di trek komersial atau sewaan adalah tidak dijamin.

³Vanguard dipasang pada janakuasa tunggu sedia: 24 bulan kegunaan pengguna, tiada waranti kegunaan komersial. Vanguard yang dipasang pada kenderaan utiliti: 24 bulan kegunaan pengguna, 24 bulan kegunaan komersial. Siri Komersial dengan tarikh pembuatan sebelum Julai 2017, 24 bulan kegunaan pengguna, 24 bulan kegunaan komersial.

⁴Di Australia - Barangan kami didatangkan dengan jaminan yang tidak boleh dikecualikan di bawah Undang-Undang Pengguna Australia. Anda berhak untuk mendapatkan gantian atau bayaran balik bagi kegagalan yang besar dan untuk pampasan bagi sebarang kerugian atau kerosakan boleh diramalkan secara munasabah. Anda juga berhak untuk memastikan barangan dibaiki atau diganti jika barangan tersebut gagal menepati kualiti yang boleh diterima dan kegagalan ini bukan merupakan satu kegagalan yang besar. Untuk servis waranti, cari Peniaga Servis Berdaftar yang terdekat dalam peta pengesanan peniaga kami di BRIGGSandSTRATTON.COM atau dengan menghubungi 1300 274 447 atau dengan menghantar e-mel atau menulis surat kepada salesenquiries@briggsandstratton.com.au, Briggs & Stratton Australia Pty Ltd, 1 Moorebank Avenue, Moorebank, NSW, Australia, 2170.

Tempoh waranti bermula pada tarikh pembelian oleh pengguna runcit atau komersial yang pertama. "Kegunaan Pengguna" bermaksud kegunaan kediaman peribadi isi rumah oleh pengguna runcit. "Kegunaan komersial" bermaksud semua kegunaan lain, termasuklah kegunaan untuk komersial, penghasilan pendapatan atau bagi tujuan sewaan. Sebaik sahaja enjin telah mengalami kegunaan komersial, ia hendaklah selepas itu dianggap sebagai kegunaan komersial untuk tujuan waranti ini.

Simpan resit bukti pembelian anda. Jika anda tidak memberikan bukti tarikh pembelian awal pada waktu servis waranti diminta, tarikh pengeluaran produk akan digunakan untuk menentukan tempoh waranti. Pendaftaran produk tidak diperlukan untuk mendapatkan servis waranti bagi produk-produk Briggs & Stratton.

Perihal Waranti Anda

Waranti terhad ini meliputi bahan berkaitan enjin dan/atau isu-isu mutu kerja sahaja dan tidak meliputi penggantian atau bayaran balik bagi peralatan yang mungkin digunakan untuk menempatkan enjin. Penyelenggaraan rutin, penalaan, pelarasan atau haus dan lusuh yang lazim tidak diliputi di bawah waranti ini. Demikian juga, waranti ini tidak terpakai sekiranya enjin telah diubah atau diubah suai atau jika nombor siri enjin telah dirosakkan atau dibuang. Waranti ini tidak meliputi kerosakan enjin atau masalah prestasi yang disebabkan oleh:

1. Penggunaan bahagian-bahagian yang bukan bahagian Briggs & Stratton yang tulen;
2. Pengendalian enjin dengan minyak pelincir yang tidak mencukupi, tercemar atau mempunyai gred yang salah;
3. Penggunaan bahan api yang tercemar atau lama, gasolin yang diformulasikan dengan etanol melebihi 10%, atau penggunaan bahan api alternatif seperti petroleum cecair atau gas asli pada enjin yang asalnya tidak direka/dikilangkan oleh Briggs & Stratton untuk beroperasi dengan bahan api seperti itu;
4. Kotoran yang memasuki enjin kerana penyelenggaraan atau pemasangan semula pembersih udara yang tidak betul;
5. Pemukulan objek dengan bilah pemotong bagi pemotong rumput berputar, penyesuai bilah, impeler atau alat terganding aci engkol lain yang dipasang dengan longgar atau tidak betul, atau keketatan tali sawat V yang berlebihan;
6. Bahagian-bahagian atau himpunan yang berkaitan seperti klac, transmisi, kawalan peralatan, dan sebagainya, yang tidak dibekalkan oleh Briggs & Stratton;
7. Pemanasan lampau disebabkan oleh keratan rumput, kotoran dan serpihan, atau sarang rodensia yang menghalang atau menyumbat sirip penyejuk atau kawasan roda tenaga, atau dengan mengendalikan enjin tanpa pengudaraan yang mencukupi;
8. Gegaran yang berlebihan disebabkan oleh kelajuan berlebihan, pemasangan enjin yang longgar, bilah pemotong atau impeler yang longgar atau tidak seimbang, atau gandingan komponen peralatan yang tidak betul kepada aci engkol;
9. Penyalahgunaan, kekurangan penyelenggaraan rutin, penghantaran, pengendalian atau penggudangan peralatan, atau pemasangan enjin yang tidak betul.

Servis waranti hanya boleh didapati melalui Peniaga Servis Berdaftar Briggs & Stratton. Cari Peniaga Servis Berdaftar di lokasi yang terdekat dengan anda dalam peta pengesan peniaga kami di BRIGGSandSTRATTON.COM atau dengan menelefon 1-800-223-3723 (di A.S.).

80004537 (Sem. C)

Not for
Reproduction

คู่มือฉบับนี้มีข้อมูลด้านความปลอดภัยเพื่อให้ท่านได้ทราบถึงอันตรายและความเสี่ยงที่เกี่ยวข้องกับเครื่องยนต์ และวิธีหลีกเลี่ยงอันตรายและความเสี่ยงเหล่านั้น นอกจากนี้ คู่มือฉบับนี้ยังมีคำแนะนำในการใช้งานที่ถูกต้องตลอดจนการดูแลรักษาเครื่องยนต์ เนื่องจากทาง Briggs & Stratton Corporation ไม่ทราบว่าคุณปรารถนาใช้เครื่องยนต์ชนิดนี้ จึงเป็นสิ่งสำคัญที่ท่านจะต้องอ่านและเข้าใจคำแนะนำเหล่านี้และคำแนะนำสำหรับอุปกรณ์โดยตลอด **โปรดเก็บคำแนะนำต้นฉบับไว้เพื่อเป็นข้อมูลอ้างอิงในอนาคต**

หมายเหตุ: ตัวเลขและการแสดงในคู่มือนี้ถูกนำเสนอเพื่อเป็นเอกสารอ้างอิงเท่านั้น และอาจแตกต่างจากเครื่องยนต์รุ่นที่คุณใช้อยู่ ติดต่อตัวแทนจำหน่ายของคุณถ้าคุณมีคำถาม

สำหรับการเปลี่ยนอะไหล่หรือความช่วยเหลือทางเทคนิค กรุณาเก็บบันทึกข้อมูลเกี่ยวกับรุ่น ประเภท หมายเลขรหัสตลอดจนวันที่ซื้อของเครื่องยนต์ไว้สำหรับอ้างอิงในอนาคต ข้อมูลเหล่านี้ระบุไว้บนเครื่องยนต์ของ ท่าน (กรุณาดูที่ **คุณลักษณะและส่วนควบคุม**)

วันที่ซื้อ	
เครื่องยนต์รุ่น - ประเภท - การควบคุม	
หมายเลขประจำเครื่องยนต์	

กรุณาดูบาร์โค้ด 2D ที่อยู่บนเครื่องยนต์บางเครื่อง เมื่อดูหมายเลขผ่านอุปกรณ์ 2D รหัสจะแสดงชื่อเว็บไซต์ของเรา ซึ่งท่านสามารถเข้าถึงข้อมูลช่วยเหลือต่าง ๆ สำหรับตัวผลิตภัณฑ์ ใช้ข้อมูลอัตรา ในบางประเทศอาจไม่มีข้อมูลช่วยเหลือให้บริการทางออนไลน์



ข้อมูลการนำกลับมาหมุนเวียน-ใช้ใหม่

		บรรจุภัณฑ์ น้ำมันที่ใช้แล้ว และแบตเตอรี่ทั้งหมดควรได้รับการนำกลับมาหมุนเวียนใช้ใหม่ตามระเบียบข้อบังคับของหน่วยงานภาครัฐที่ใช้บังคับ
--	--	---

ความปลอดภัยของผู้ใช้งาน

สัญลักษณ์แจ้งเตือนความปลอดภัยและคำที่เป็นสัญญาณบ่งบอก

สัญลักษณ์แจ้งเตือนความปลอดภัย ถูกใช้เพื่อบ่งชี้ข้อมูลด้านความปลอดภัยเกี่ยวกับอันตรายที่สามารถก่อให้เกิดการได้รับบาดเจ็บสาหัสบุคคลได้ คำที่เป็นสัญญาณบ่งบอก (อันตราย คำเตือน หรือข้อควรระวัง) ถูกใช้พร้อมกับสัญลักษณ์แจ้งเตือนเพื่อบ่งบอกถึงระดับความรุนแรงของการได้รับบาดเจ็บที่มีความน่าจะเป็นและความเป็นไปได้ นอกจากนี้ สัญลักษณ์แจ้งเตือนอันตรายยังอาจใช้เป็นตัวแทนของประเภทของอันตรายอีกด้วย

อันตราย บ่งบอกถึงอันตรายที่ซึ่ง หากไม่หลีกเลี่ยงแล้ว จะมีผลให้ถึงแก่ความตายหรือการได้รับบาดเจ็บสาหัสได้

คำเตือน บ่งบอกถึงอันตรายที่ซึ่ง หากไม่หลีกเลี่ยงแล้ว จะมีผลให้ถึงแก่ความตายหรือการได้รับบาดเจ็บสาหัสได้

ข้อควรระวัง บ่งบอกถึงอันตรายที่ซึ่ง หากไม่หลีกเลี่ยงแล้ว จะมีผลให้เกิดการได้รับบาดเจ็บเล็กน้อยหรือปานกลางได้

ข้อควรสังเกต บ่งบอกถึงสถานการณ์ที่ อาจเป็นผลให้เกิดความเสียหายต่อผลิตภัณฑ์ได้

สัญลักษณ์เตือนภัยอันตรายและความหมาย

สัญลักษณ์	ความหมาย	สัญลักษณ์	ความหมาย
	ข้อมูลความปลอดภัยเกี่ยวกับอันตรายที่สามารถก่อให้เกิดการบาดเจ็บแก่บุคคลได้		อ่านและทำความเข้าใจคู่มือการใช้งานก่อนการใช้งานหรือใช้บริการของหน่วยต่าง ๆ
	อันตรายจากเพลิงไหม้		อันตรายจากการระเบิด
	อันตรายจากไฟฟ้าช็อต		อันตรายจากโอทีช
	อันตรายจากพื้นผิวที่ร้อน		อันตรายจากเสียง – อุปกรณ์ป้องกันหูควรนำมาใช้งานตลอดระยะเวลาการปฏิบัติงาน
	อันตรายจากวัตถุเหวี่ยงกระเด็น – สวมใส่อุปกรณ์ป้องกันดวงตา		อันตรายจากการระเบิด
	อันตรายจากสารทำความเย็น		อันตรายจากการกระตุกกลับ
	อันตรายจากการสูญเสียอวัยวะ – ชิ้นส่วนที่มีการเคลื่อนไหว		อันตรายจากสารเคมี
	อันตรายจากความร้อนสูง		การสีกกร่อนผุพัง

ข้อความเกี่ยวกับความปลอดภัย



เตือน

อุปกรณ์บางอย่างในผลิตภัณฑ์นี้และส่วนประกอบที่เกี่ยวข้อง มีสารเคมีที่ทางรัฐแคลิฟอร์เนียพบว่าเป็นสารก่อมะเร็ง ความพิการแต่กำเนิด หรืออันตรายที่เกี่ยวข้องถึงสารพิษพันธุอื่นๆ สิ่งนี้หลังจากการจับต้อง



เตือน

ไอระเหยเครื่องยนต์จากผลิตภัณฑ์นี้ประกอบด้วย สารเคมีที่ทางรัฐแคลิฟอร์เนียพบว่าเป็นสารก่อมะเร็ง ความพิการแต่กำเนิด หรือ อันตรายที่เกี่ยวข้องถึงการสืบพันธุ์อื่นๆ



เตือน

เครื่องยนต์ของ Briggs & Stratton ไม่ได้รับการออกแบบ มาเพื่อใช้เพื่อขับเคลื่อน ฟันคาร์ท โกคาร์ท สันทานการสำหรับเด็ก หรือพาหนะสปอร์ตสำหรับทุกสภาพผิว (ATV) จักรยานยนต์ ไฮเวอริคราฟท์ ผลิตภัณฑ์อากาศยาน หรือพาหนะที่ใช้ในการจัดการแข่งขันที่ไม่ได้รับการอนุมัติจาก Briggs & Stratton สำหรับข้อมูลที่เกี่ยวข้องกับผลิตภัณฑ์ที่ใช้ในการแข่ง ดูได้จาก www.briggsracing.com สำหรับการใช้กับรถเอทีวีแบบออแกเนกประสงค์หรือแบบบังคับคู่ โปรดติดต่อศูนย์ปฏิบัติการเครื่องยนต์ Briggs & Stratton, 1-866-927-3349 การใช้งานเครื่องยนต์ที่ไม่เหมาะสมอาจส่งผลให้เกิดการบาดเจ็บสาหัสหรือเสียชีวิตได้



เตือน

น้ำมันเชื้อเพลิงและไอระเหยของน้ำมันเชื้อเพลิงดังกล่าวมีลักษณะ ไวไฟและระเบิดได้

ไฟหรือแรงระเบิดอาจเป็นสาเหตุให้เกิดแผลไหม้ รุนแรงหรือเสียชีวิตได้

เมื่อเติมน้ำมันเชื้อเพลิง

- หมุนเครื่องกำเนิดไฟฟ้า ไปยังตำแหน่งปิดและปล่อยให้เย็นลงอย่างน้อย 2 นาที ก่อนที่จะถอดฝาปิดน้ำมันเชื้อเพลิง

- เติมน้ำมันเชื้อเพลิงด้านนอก หรือในสถานที่ที่อากาศถ่ายเทได้ดี
- ห้ามเติมจนหกส้น ถึง เพื่อป้องกันการขยายตัวของน้ำมันเชื้อเพลิง อย่าเติมเกินส่วนล่างของคอถังน้ำมัน
- เก็บรักษาน้ำมันเชื้อเพลิงให้ห่างจากประกายไฟ เปลวไฟ ไฟนํารอง ความร้อน และแหล่งจุดติดไฟอื่นๆ
- ตรวจสอบสาย ถัง ฝาปิดน้ำมันเชื้อเพลิง และชิ้นส่วนประกอบต่างๆ เป็นประจำเพื่อตรวจสอบรอยแตกหรือการรั่วซึม เปลี่ยนหากจำเป็น
- หากน้ำมันเชื้อเพลิงหกส้น ให้รอ จนกระทั่งน้ำมันเชื้อเพลิงระเหยไปจนหมดก่อนทำการสตาร์ทเครื่องยนต์

เมื่อสตาร์ทเครื่องยนต์

- ให้แน่ใจว่าหัวเทียน หม้อลดเสียง ฝาปิดน้ำมันเชื้อเพลิง และเครื่องฟอกอากาศ (หากมีการติดตั้ง) อยู่ในตำแหน่งที่ถูกต้องเหมาะสม
- ห้ามหมุนข้อเหวี่ยงเครื่องยนต์ในขณะที่ ถอดหัวเทียนออก
- หากน้ำมันท่วมเครื่องยนต์ ให้ปรับไชด์ (หากมีการติดตั้ง) ไปยังตำแหน่งเปิด / เติมน้ำมันเชื้อเพลิง (หากมีการติดตั้ง) ไปยังตำแหน่งเร็ว และหมุนข้อเหวี่ยง จนกว่าเครื่องยนต์ติด

เมื่อมีการใช้งานอุปกรณ์

- ห้ามเอียงเครื่องยนต์หรือ อุปกรณ์ในมุมที่อาจทำให้น้ำมันเชื้อเพลิงกระเด็น
- ห้ามถอด คาร์บูเรเตอร์เพื่อหยุดเครื่องยนต์
- ห้ามสตาร์ทหรือใช้งาน เครื่องยนต์ขณะที่เครื่องฟอกอากาศ (หากติดตั้ง) หรือกรองอากาศ (หาก ติดตั้ง) ถูกถอดออก

เมื่อมีการเปลี่ยนน้ำมัน

- หากคุณระบายน้ำมัน ออกจากด้านบนของท่อเติมน้ำมัน ถังน้ำมันเชื้อเพลิงวาง-ปล่าหรือเติมน้ำมันเชื้อเพลิงสามารถหกออกมา และทำให้เกิดไฟไหม้หรือการระเบิดได้

เมื่อมีการเอียงชุดอุปกรณ์เพื่อการซ่อมบำรุง

- เมื่อ มีการซ่อมบำรุงที่จำเป็นต้องทำชุดอุปกรณ์ให้เอียง ถังน้ำมันเชื้อเพลิงหาก มีการติดตั้งอยู่บน-เครื่องยนต์ต้องวางปล่าหรือเติมน้ำมันสามารถหกออกมาและทำให้เกิดไฟไหม้ หรือการระเบิดได้

เมื่อมีการขนย้ายอุปกรณ์

- ขนส่งด้วยถังน้ำมันเชื้อเพลิงที่ว่างเปล่า หรือปล่าวถังน้ำมันเชื้อเพลิง ให้อยู่ในตำแหน่งปิด

เมื่อเก็บรักษาน้ำมันเชื้อเพลิงหรือ อุปกรณ์ที่มีน้ำมันเชื้อเพลิงอยู่ในถัง

- วางไว้ให้ห่างจากเตาเผา เตาอบ เครื่องทำความร้อน เสื้อผ้าแห้ง หรือสิ่งอื่นใดที่มีหลอดไฟฟัด-ดวงเล็กหรือ แหล่งสำหรับการเผาไหม้ เพราะอาจเกิดการลุกไหม้ได้เนื่องจาก ไอของ-น้ำมันเชื้อเพลิง



เตือน

การสตาร์ทเครื่องยนต์ก่อให้เกิดการจุดประกาย

การจุดประกายสามารถเกิดการลุกไหม้เมื่อใกล้กับก๊าซไวไฟ

การระเบิดและไฟไหม้อาจเกิดตามมา

- หากมีการรั่วไหลของก๊าซธรรมชาติหรือ ก๊าซปิโตรเลียมเหลวในพื้นที่ ห้ามสตาร์ทเครื่องยนต์
- ห้ามใช้น้ำมันเริ่มต้นที่ใช้รักษาแรงดัน เพราะไอระเหยไวไฟ



เตือน

อันตรายจากก๊าซพิษ ไอเสียจากเครื่องยนต์ ประกอบไปด้วยคาร์บอนมอนอกไซด์ ซึ่งเป็นก๊าซพิษที่สามารถทำให้เสียชีวิตได้ภายในเวลาไม่กี่นาที คุณ ไม่สามารถมองเห็นดมกลิ่น หรือรับรสได้ แม้ว่าคุณจะไม่ได้ออกซิเจนก็ตาม แต่คุณอาจจะสัมผัสกับก๊าซ-คาร์บอนมอนอกไซด์ หากความรู้สึกไม่สบาย เวียนศีรษะ หรือ ไม่มีเรี่ยวแรง-ขณะที่ใช้ผลิตภัณฑ์นี้ ให้ออกไปสูดอากาศบริสุทธิ์ "โดยทันที" ไปพบ แพทย์ คุณอาจ-ได้รับพิษจากก๊าซคาร์บอนมอนอกไซด์

- ใช้งานผลิตภัณฑ์นี้ ในที่กลางแจ้งเท่านั้นและตั้งให้ห่างจากหน้าต่าง ประตูและช่องระบายอากาศ เพื่อที่จะลดความเสี่ยงของการสะสมของก๊าซคาร์บอนมอนอกไซด์และโอกาสที่จะไต่ลอย-กลับมายังที่ ที่มีคนอาศัยอยู่
- ติดตั้ง สัญญาณเตือนคาร์บอนมอนอกไซด์แบบแบตเตอรี่หรือแบบพร้อมด้วย แบตเตอรี่สำรองตามคำแนะนำของผู้ผลิต เครื่องตรวจจับควัน ไม่สามารถตรวจจับก๊าซคาร์บอนมอนอกไซด์ได้
- ห้ามใช้งาน ผลิตภัณฑ์นี้ภายในบ้านโรงรถ ห้องใต้ดิน ใต้ถุนบ้าน เพิง หรือบริเวณที่เป็นสถานที่ปิดบางส่วนอื่น ๆ แม้ว่าจะมีการใช้พัดลมหรือมีการเปิดประตูและหน้าต่างใน การระบายอากาศ คาร์บอนมอนอกไซด์สามารถสะสมในที่เหล่านั้นอย่างรวดเร็วและ คงอยู่เป็นเวลานานหลายชั่วโมง แม้ว่าจะหยุดใช้งานผลิตภัณฑ์นี้ไปแล้ว
- ตั้งผลิตภัณฑ์นี้ ไว้ที่ด้านใต้ลมและหันปลายของท่อไอเสียให้ห่างจากบริเวณที่มีคนอาศัยอยู่



เตือน

การดึงกลับอย่างรวดเร็วของสายสตาร์ทเตอร์ (kickback) จะดึงมือและแขนเข้าหาเครื่องยนต์เร็วกว่าที่คุณจะสามารถเอาออกได้

ผลที่เกิดขึ้นก็คืออาจทำให้กระดูกหัก กระดูกแตก เกิดแผลฟกช้ำ หรือ มีอาการเคล็ดได้

- เมื่อทำการสตาร์ทเครื่องยนต์ ดึงสายช้าๆ จนกระทั่งรู้สึกถึงแรงต้านจากนั้นดึงขึ้นอย่างรวดเร็วเพื่อป้องกันการติดกลับ
- ให้เอา ไทลด์ทั้งหมดที่ต่ออยู่ภายนอก เครื่องยนต์/อุปกรณ์ออก ก่อนการสตาร์ทเครื่องยนต์
- ส่วนประกอบอุปกรณ์ที่เชื่อมต่อกันโดยตรง เช่น ใบมีด รอก เฟือง เป็นต้น ต้องถูกติดตั้งอย่าง-แน่นหนา



เตือน

ส่วนที่หมุนได้สามารถโดนหรือพัน มือ เท้า ผม เสื้อผ้า หรือของตกแต่งอื่นๆ

อาจทำให้เกิดการตัดขาดของอวัยวะหรือบาดเจ็บแผลลึกขาด รุนแรง

- การใช้งานอุปกรณ์พร้อม ใส่เครื่องป้องกัน
- เก็บมือและเท้า ให้ห่างจากส่วนที่หมุนได้
- มัดผมหากผมยาว และ ถอดเครื่องประดับออก
- ห้ามสวม ชุดที่หลวม ห้ามให้เชือกที่มีหูรูดของเสื้อผ้าหรือของอย่างอื่นห้อยจนอาจ-ทำให้โดนดึงได้



เตือน

เครื่องยนต์ที่กำลังทำงานปล่อยความร้อน ส่วนต่างๆ ของเครื่องยนต์ โดยเฉพาะท่อไอ-เสียจะร้อนมา

เปลวไหม้รุนแรงสามารถเกิดได้หากมีการ สัมผัส

เศษวัสดุที่ติดไฟง่าย เช่น ใบไม้ หญ้า กิ่งไม้ เป็นต้น สามารถติดไฟ

- ปล่อยให้ท่อไอเสีย ระบายออกสูบ เครื่องยนต์ และครีบต่างๆ เย็นตัวลงก่อนทำการสัมผัส
- เอาเศษวัสดุที่สะสม ออกจากบริเวณท่อไอเสียและบริเวณกระบอกสูบ
- การกระทำดังต่อไปนี้เป็นการฝ่าฝืนกฎของ California Public Resouce บทที่ 4442 หากมีการ-ใช้งานเครื่องยนต์ใน บริเวณพื้นที่ป่า พุ่มไม้ หญ้า เว้นแต่ระบบไอเสีย มีการตรวจจับประกาย-ไฟ ตามที่ได้มีการกำหนดไว้ในบทที่ 4442 ในใบสั่งการทำงานที่มีผลการบังคับใช้ รัฐอื่นๆ หรือเขตอำนาจของสหพันธรัฐ อาจมีกฎหมายที่คล้ายคลึงกัน ติดต่อโรงงานผลิตชิ้นส่วนจาก-ผู้ผลิต ผู้ค้าปลีก หรือตัวแทนสำหรับตัวกันการติดไฟที่ออกแบบมาสำหรับระบบ ไอเสีย ซึ่งถูกติดตั้งมา กับเครื่องยนต์นี้



เตือน

การเกิดประกายไฟโดยไม่ได้ตั้งใจสามารถทำให้เกิด ไฟไหม้หรือไฟฟ้าช็อตได้

การสตาร์ทโดยไม่ได้ตั้งใจสามารถทำให้ เกิดการดึงเข้าหาเครื่องยนต์ การตัดขาดของอวัยวะ หรือบาดเจ็บแผลลึกขาด

อันตรายจากเพลิงไหม้

ก่อนที่จะดำเนินการปรับเปลี่ยนหรือ ซ่อมแซม:

- ถอดสายไฟออกจากหัว เทียน และวางให้ห่างจากหัวเทียน
- ปลดขั้ว ลบของแบตเตอรี่ (เฉพาะเครื่องยนต์แบบสตาร์ทด้วยไฟฟ้า)
- ใช้เฉพาะเครื่องมือที่ถูกต้อง
- ห้ามขยับ สปริงควบคุม ก้านเชื่อมต่อ หรือชิ้นส่วนอื่นๆ เพื่อเพิ่มความเร็วรอบเครื่องยนต์
- อุปกรณ์ที่เปลี่ยนจะต้อง เป็นแบบเดียวกันและติดตั้งในตำแหน่งเดียวกันกับชิ้นส่วนที่เก่าผู้ผลิต ส่วนประกอบอื่นๆ อาจไม่ทำงานด้วยเช่นกัน อาจทำให้ชุดอุปกรณ์เสียหาย และอาจส่งผลให้ เกิดการบาดเจ็บ
- ห้ามเคาะ ล้อตุ้มกำลังด้วยค้อนหรือของแข็ง เพราะล้อตุ้มกำลังอาจแตกในภายหลัง ระหว่าง-การทำงาน

เมื่อมีการทดสอบการเกิดประกายไฟ:

- ใช้เครื่องมือทดสอบหัวเทียน ที่เหมาะสม
- ห้ามตรวจสอบการเกิดประกายไฟ ในขณะที่ถอดหัวเทียนออก

ส่วนการทำงานและชุดควบคุม

ชุดควบคุมเครื่องยนต์

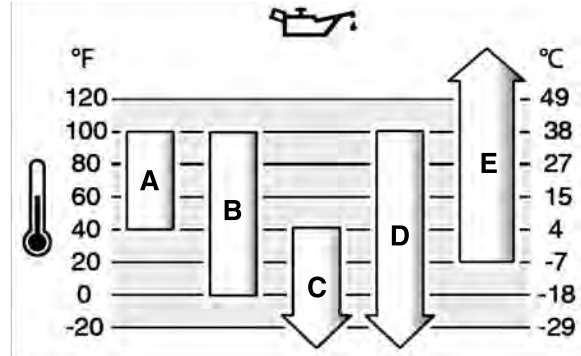
เปรียบเทียบภาพตัวอย่าง (รูปที่: 1, 2, 3, 4) กับเครื่องยนต์ของคุณเพื่อให้ตัวคุณเองคุ้นเคยกับตำแหน่งที่ตั้งขอส่วนการทำงานและชุดควบคุมทั้งหลาย

- A. หมายเลขประจำเครื่องยนต์ รุ่น - ประเภท - รหัส
- B. หัวเทียน
- C. ถังน้ำมันเชื้อเพลิงและฝาปิด
- D. ตัวพอกอากาศ
- E. ที่จับสายสตาร์ท
- F. ที่เติมน้ำมันและก้านวัดน้ำมันเครื่อง
- G. จุกถ่ายน้ำมัน
- H. หม้อพักไอเสีย, อุปกรณ์ครอบหม้อพักไอเสีย (หากติดตั้งไว้), ตัวกักประกายไฟ (หากติดตั้งไว้)
- I. ชุดควบคุมโซ้ค
- J. ชุดควบคุมวาล์วปีกผีเสื้อ (หากติดตั้งไว้)
- K. TransportGuard™ - คันโยกเชื้อเพลิงและจุดระเบิด
- L. ตะแกรงลมเข้า
- M. ชุดลดอัตราทดเกียร์ (หากติดตั้งไว้)
- N. สวิตช์ดับเครื่อง (หากติดตั้งไว้)
- O. สวิตช์สตาร์ทไฟฟ้า (หากติดตั้งไว้)¹

¹ เครื่องยนต์และอุปกรณ์บางชิ้นมีชุดควบคุมระยะไกล ดูกุมืออุปกรณ์สำหรับตำแหน่งที่ตั้งและการทำงานของชุดควบคุมระยะไกล

เราแนะนำให้ใช้น้ำมันที่ได้รับการรับรองการรับประกันจาก Briggs & Stratton เพื่อให้ได้สมรรถนะที่ดีที่สุด สามารถใช้ น้ำมันเซาะล้างคุณภาพสูงแบบอื่นได้ หากจัดอยู่ในกลุ่มใช้งาน SF, SG, SH, SJ หรือสูงกว่า ห้ามใช้ สารเติมแต่งพิเศษใดๆ

อุณหภูมิภายนอกจะเป็นตัวกำหนดความหนืดที่เหมาะสมของ น้ำมันสำหรับเครื่องยนต์ ใช้ตารางเพื่อเลือกค่าความหนืดที่เหมาะสมที่สุดสำหรับ ช่วงอุณหภูมิภายนอกที่คาดไว้ เครื่องยนต์ของอุปกรณ์กลวงแรงที่ให้กำลังมากที่สุดจะ ทำงานได้ดีกับน้ำมันสังเคราะห์ 5W-30 Synthetic สำหรับอุปกรณ์ที่ทำงานในอุณหภูมิ ร้อน น้ำมันสังเคราะห์ Vanguard™ 15W-50 Synthetic จะให้ประสิทธิภาพที่ดีที่สุด



A	SAE 30 - ที่อุณหภูมิต่ำกว่า 40 °F (4 °C) การใช้เบอร์ SAE 30 จะทำให้สตาร์ท ยาก
B	10W-30 - ที่อุณหภูมิสูงกว่า 80 °F (27 °C) การใช้เบอร์ 10W30 อาจทำให้เพิ่ม อัตราการใช้ น้ำมัน ตรวจสอบระดับน้ำมันให้บ่อยครั้งขึ้น
C	5W-30
D	Synthetic 5W-30
E	Vanguard™ Synthetic 15W-50

สัญลักษณ์การควบคุมและความหมาย

สัญลักษณ์	ความหมาย	สัญลักษณ์	ความหมาย
	ความเร็วรอบเครื่องยนต์ - สูง		ความเร็วรอบเครื่องยนต์ - ต่ำ
	ความเร็วรอบเครื่องยนต์ - หยุด		เปิด - ปิด
	เครื่องยนต์สตาร์ท - โซ้ค ปิด		เครื่องยนต์สตาร์ท - โซ้ค เปิด
	ฝาปิดน้ำมันเชื้อเพลิง อุปกรณ์ตัดน้ำมันเชื้อเพลิง - เปิด		อุปกรณ์ตัดน้ำมันเชื้อเพลิง - ปิด
	ระดับน้ำมัน - สูงสุด อย่าเติมน้ำมันจนล้น		

การทำงาน

น้ำมันที่แนะนำ

ความจุน้ำมัน: ดู ที่ **ข้อมูลจำเพาะ** ตามหัวข้อ

ประกาศ

เครื่องยนต์นี้ถูกจัดส่งมาจาก Briggs & Stratton โดยไม่มีน้ำมันหล่อลื่น ผู้ผลิตหรือตัวแทนจำหน่ายอุปกรณ์อาจจะเติมน้ำมันลงใน เครื่องยนต์ ก่อนการสตาร์ทเครื่องยนต์เป็นครั้งแรก ต้องแน่ใจว่าคุณ ได้ตรวจสอบ ระดับน้ำมันและเติมน้ำมันหล่อลื่นตามขั้นตอนที่ระบุไว้ในคู่มือนี้ หาก คุณสตาร์ทเครื่องยนต์โดยที่ไม่มีน้ำมัน ความเสียหายที่เกิดขึ้น จะไม่สามารถซ่อมได้และจะไม่อยู่ใน การรับประกัน

ตรวจเช็คระดับน้ำมันเครื่อง

ดูรูปภาพ: 5

ก่อนการเพิ่มหรือการตรวจสอบน้ำมันเครื่อง

- ตรวจสอบให้แน่ใจว่าเครื่องยนต์ได้ระดับ
- ทำความสะอาดบริเวณที่เติมน้ำมันเครื่องให้ปราศจากเศษขยะต่างๆ

1. ถอด ไม้ตรวจระดับน้ำมันเครื่อง (รูปภาพ A 5) แล้วเช็ดด้วยผ้าสะอาด
2. เก็บไม้ตรวจระดับน้ำมันเครื่องไว้ที่เดิม (รูปภาพ A 5) **อย่าหมุนหรือพยายามขันให้แน่น**
3. ถอด ไม้ตรวจระดับน้ำมันเครื่องออกแล้วตรวจเช็คระดับน้ำมันเครื่อง ระดับน้ำมันเครื่องที่ถูกตัดงออยู่ที่ขีดบอกระดับบนสุด (รูปภาพ B 5) บน ไม้ตรวจระดับน้ำมันเครื่อง
4. หากระดับน้ำมันเครื่องต่ำ ให้ค่อย ๆ เติมน้ำมันเครื่องลงในถังน้ำมันเครื่องช้า ๆ (รูปภาพ C 5) เติมน้ำมันเครื่องจนถึงจุดที่สั้น
5. นำไม้ตรวจระดับน้ำมันเครื่องเก็บเข้าที่ให้แน่น (รูปภาพ A 5)

ระบบการป้องกันน้ำมันเครื่องอยู่ระดับต่ำ (หากมีติดตั้งไว้)

เครื่องยนต์บางรุ่นมีระบบตรวจจับน้ำมันเครื่องเมื่ออยู่ในระดับต่ำ เมื่อน้ำมันเครื่องอยู่ในระดับต่ำ เครื่องตรวจจับจะทำงานโดยส่งสัญญาณไฟหรือหยุดการทำงานของเครื่องยนต์ หยุดเครื่องยนต์และปฏิบัติตามขั้นตอนเหล่านี้ก่อนสตาร์ทเครื่องใหม่อีกครั้ง

- ตรวจสอบให้แน่ใจว่าเครื่องยนต์ได้ระดับ
- ตรวจเช็คระดับน้ำมันเครื่อง ดูที่ **ส่วน** ตรวจสอบระดับน้ำมันเครื่อง
- หากน้ำมันเครื่องอยู่ในระดับต่ำ ให้เติมน้ำมันเครื่องให้อยู่ในระดับที่เหมาะสม สตาร์ทเครื่องยนต์และตรวจสอบดูว่า ไม่มีสัญญาณไฟ (หากติดตั้งไว้) เตือน
- หากระดับน้ำมันไม่ต่ำ อย่าสตาร์ทเครื่อง ติดต่อฝ่ายบริการตัวแทนจำหน่ายที่ได้รับอนุญาตของ Briggs & Stratton เพื่อแก้ปัญหาที่น้ำมันเครื่อง

คำแนะนำด้านน้ำมันเชื้อเพลิง

น้ำมันเชื้อเพลิงจะต้องตรงกับความต้องการเหล่านี้:

- น้ำมันเบนซินไร้สารตะกั่ว สะอาด ใหม่
- ค่าออกเทนขั้นต่ำ 87 / 87 AKI (91 RON) หากใช้สำหรับความสูงเหนือระดับน้ำทะเล ดูด้านล้าง
- น้ำมันเบนซินที่มีส่วนผสมของเอทานอลได้ถึง 10% (แก๊สโซฮอล์) เป็นสิ่งที่ยอมรับได้

ประกาศ

อย่าใช้น้ำมันเบนซินที่ไม่ได้อนุญาตเช่น E15 และ E85 อย่างผสมน้ำมันอื่นในน้ำมันเบนซินหรือปรับเปลี่ยนเครื่องยนต์เพื่อให้ทำงานได้บนเชื้อเพลิงทางเลือก การใช้น้ำมันเชื้อเพลิงที่ไม่ได้รับอนุญาตจะก่อให้เกิดความเสียหายต่อชิ้นส่วนเครื่องยนต์ ซึ่งจะไม่ได้รับการคุ้มครองภายใต้การรับประกัน

เพื่อปกป้องระบบเชื้อเพลิงจากการก่อตัวของเมือกเหนียว ให้ผสมตัวคงสภาพน้ำมันเชื้อเพลิงลงในน้ำมันเชื้อเพลิง ดู **การเก็บรักษา** เชื้อเพลิงแต่ละตัวนั้นไม่เหมือนกัน หากเกิดปัญหาการสตาร์ทหรือปัญหาประสิทธิภาพการทำงานเกิดขึ้น ให้เปลี่ยนแปลงผู้ให้บริการน้ำมันเชื้อเพลิงหรือเปลี่ยนยี่ห้อน้ำมันเชื้อเพลิง เครื่องยนต์รุ่นนี้ได้รับการรับรองในการใช้งานด้วยน้ำมันเบนซิน ระบบควบคุมการปล่อยมลพิษสำหรับเครื่องยนต์รุ่นนี้คือ EM (การปรับแต่งเครื่องยนต์)

บริเวณที่อยู่ในที่สูง

ที่ระดับความสูงเหนือกว่า 5,000 ฟุต (1524 เมตร) น้ำมันที่มีค่าออกเทนต่ำสุดที่ 85/85 AKI (89 RON) สามารถนำมาใช้ได้

สำหรับเครื่องยนต์ที่มีคาบูเรเตอร์ ต้องได้รับการปรับระดับความสูงมากเพื่อรักษาประสิทธิภาพในการทำงาน การทำงานโดยปราศจากการปรับนี้จะทำให้ประสิทธิภาพการทำงานลดลง เพิ่มการบริโภคน้ำมัน และเพิ่มการแผ่ขยาย กรุณาติดต่อฝ่ายบริการของตัวแทนจำหน่ายที่ได้รับอนุญาตจาก Briggs & Stratton สำหรับข้อมูลการปรับในพื้นที่ในระดับสูง การปรับปฏิบัติงานในพื้นที่ที่มีความสูงต่ำกว่า 2,500 ฟุต (762 เมตร) ไม่แนะนำให้ปรับระดับความสูง

สำหรับเครื่องยนต์ระบบหัวฉีดน้ำมัน ไฟฟ้า Electronic Fuel Injection (EFI) ไม่จำเป็นต้องปรับระดับความสูงแต่อย่างใด

การเติมน้ำมันเชื้อเพลิง

ดูรูปภาพ: 6



น้ำมันเชื้อเพลิงและไอระเหยของมันเป็นวัตถุไวไฟและสามารถเกิดการระเบิดได้

เพลิงไหม้หรือการระเบิดสามารถก่อให้เกิดแผลไหม้รุนแรงหรือเป็นอันตรายถึงชีวิตได้

เมื่อทำการเติมน้ำมันเชื้อเพลิง

- ปิดการทำงานของเครื่องยนต์และปล่อยให้เครื่องยนต์เย็นตัวเป็นเวลาอย่างน้อย 2 นาทีก่อนที่จะเปิดฝาน้ำมัน
- เติมน้ำมันเชื้อเพลิงในที่โล่งแจ้งหรือบริเวณที่มีอากาศถ่ายเทสะดวก
- อย่าเติมเชื้อเพลิงจนล้นถึงน้ำมัน เพื่อเป็นการสำรองพื้นที่สำหรับการขยายตัวของเชื้อเพลิง อย่าเติมน้ำมันเชื้อเพลิงเหนือระดับล่างของคองกิ้งน้ำมัน
- เก็บเชื้อเพลิงให้ห่างจากประกายไฟ เปลวไฟ จุดเริ่มและสิ้นสุดการทำงานของเครื่องยนต์ ความร้อน และบริเวณที่เกิดสันดาป
- ตรวจสอบท่อเดินเชื้อเพลิง ตัวถัง ฝาและการ์ดติดตั้งต่างๆ อย่างสม่ำเสมอเพื่อตรวจสอบรอยแตก ร้าว และรอยรั่ว เปลี่ยนชิ้นส่วนต่างๆ ตามความจำเป็น
- หากมีเชื้อเพลิงหกกระเด็น ให้รองจนกว่าน้ำมันจะระเหยก่อนจึงเริ่มเดินเครื่องได้

- ทำความสะอาดบริเวณฝาน้ำมันเพื่อกำจัดสิ่งสกปรกและเศษขยะต่างๆ ถอดฝาลังน้ำมันออก
- เติมน้ำมันเชื้อเพลิงลงในถังน้ำมัน (รูปภาพ A 6) เพื่อเป็นการสำรองพื้นที่สำหรับการขยายตัวของเชื้อเพลิง อย่าเติมน้ำมันเชื้อเพลิงเหนือระดับล่างของคองกิ้งน้ำมัน (B)
- ปิดฝาน้ำมันกลับเหมือนเดิม

สตาร์ทและดับเครื่องยนต์

ดูรูปที่: 7, 8

สตาร์ทเครื่องยนต์



การดึงกลับที่รวดเร็วของสายสตาร์ท (การดีดกลับ) จะดึงมือและแขนเข้าหาเครื่องยนต์เร็วกว่าที่คุณจะสามารถดึงออกได้ทัน

ผลที่เกิดขึ้นก็คืออาจทำให้กระดูกหัก กระดูกแตก เกิดแผลฟกช้ำ หรือมีอาการเคล็ดได้

- เมื่อสตาร์ทเครื่องยนต์ ให้ดึงสายสตาร์ทอย่างช้าๆ จนกระทั่งรู้สึกถึงแรงต้าน แล้วจึงดึงอย่างรวดเร็วเพื่อหลีกเลี่ยงการดีดกลับ



น้ำมันเชื้อเพลิงและไอระเหยของน้ำมันเชื้อเพลิงดังกล่าวมีลักษณะไวไฟและระเบิดได้

ไฟหรือแรงระเบิดอาจเป็นสาเหตุให้เกิดแผลไหม้รุนแรงหรือเสียชีวิตได้

เมื่อสตาร์ทเครื่องยนต์

- ต้องแน่ใจว่าหัวเทียน หม้อพักไอเสีย ฝาปิดน้ำมันเชื้อเพลิง และตัวฟอกอากาศ (หากติดตั้งไว้) เข้าที่ดีแล้วและได้รับการยึดไว้อย่างแน่นหนา
- ห้ามหมุนข้อเหวี่ยงเครื่องยนต์ในสภาพที่ถอดหัวเทียนออกแล้ว
- หากน้ำมันท่วมเครื่องยนต์ ให้ปรับโซ้ค (หากติดตั้งไว้) ไปที่ตำแหน่ง "เปิด" หรือ "เดินเครื่อง" ขยับวาล์วปีกผีเสื้อ (หากติดตั้งไว้) ไปที่ตำแหน่ง "เร็ว" และหมุนข้อเหวี่ยงจนกว่าเครื่องยนต์จะสตาร์ทติด



อันตรายจากก๊าซพิษ ไอเสียจากเครื่องยนต์ประกอบด้วยคาร์บอนมอนอกไซด์ซึ่งเป็นก๊าซพิษที่อาจคร่าชีวิตคุณได้ในเวลาเพียงไม่กี่นาที คุณ "ไม่สามารถ" เห็น ไต่กลิ่น หรือรู้รสของก๊าซนี้ได้เลย แม้ว่าคุณจะไม่ ไต่กลิ่นควันไอเสีย แต่คุณอาจยังคงสัมผัสกับก๊าซคาร์บอนมอนอกไซด์ได้ หากคุณรู้สึกไม่สบาย เวียนศีรษะ หรือไม่มีเรี่ยวแรงขณะที่ใช้ผลิตภัณฑ์นี้ ให้ดับเครื่องแล้วออกไปสูดอากาศบริสุทธิ์ "โดยทันที" ไปพบแพทย์ คุณอาจจะได้รับพิษจากก๊าซคาร์บอนมอนอกไซด์

- ใช้งานผลิตภัณฑ์นี้ "เฉพาะ" ในบริเวณภายนอกที่ห่างออกไปจากหน้าต่าง ประตู และช่องระบายอากาศเพื่อลดความเสี่ยงที่ก๊าซคาร์บอนมอนอกไซด์จะเกิดการสะสมตัวและอาจถูกดึงเข้าสู่พื้นที่ที่มีผู้คนได้
- ติดตั้งสัญญาณเตือนคาร์บอนมอนอกไซด์แบบแบตเตอรี่หรือแบบพร้อมด้วยแบตเตอรี่สำรองตามคำแนะนำของผู้ผลิต สัญญาณเตือนควันไฟไม่สามารถตรวจจับก๊าซคาร์บอนมอนอกไซด์ได้
- "ห้าม" ใช้งานผลิตภัณฑ์นี้ภายในบ้าน โรงรถ ห้องใต้ดิน ใต้ถุน เเพง หรือบริเวณอื่นๆ ที่มีการปิดล้อมไว้เป็นบางส่วนถึงแม้จะใช้พัดลมหรือเปิดประตูและหน้าต่างเพื่อระบายอากาศก็ตาม คาร์บอนมอนอกไซด์อาจสะสมตัวได้อย่างรวดเร็วในพื้นที่เหล่านี้และอาจยังคงอยู่เป็นเวลานานหลายชั่วโมงแม้ภายหลังจากที่ผลิตภัณฑ์นี้ได้หยุดการทำงานลงแล้ว
- วางผลิตภัณฑ์นี้ไว้ด้านใต้ลมและหันด้านไอเสียของเครื่องยนต์ออกจากพื้นที่ที่มีผู้คน "ทุกครั้ง"

ประกาศ เครื่องยนต์นี้ถูกจัดส่งมาจาก Briggs & Stratton โดยไม่มีน้ำมันหล่อลื่น ก่อนที่คุณจะสตาร์ทเครื่องยนต์ ต้องแน่ใจว่าคุณได้เติมน้ำมันตามคำแนะนำที่ระบุไว้ในคู่มือนี้แล้ว หากคุณสตาร์ทเครื่องยนต์ในสภาพที่ไม่มีน้ำมันหล่อลื่น เครื่องยนต์นั้นจะได้รับความเสียหายเกินกว่าจะซ่อมแซมได้และจะไม่ครอบคลุมอยู่ภายใต้การรับประกัน

หมายเหตุ: อุปกรณ์นี้อาจจะมีชุดควบคุมระยะไกลด้วย ดูคู่มืออุปกรณ์สำหรับตำแหน่งที่ตั้งและการทำงานของชุดควบคุมระยะไกล

- ตรวจสอบน้ำมันเครื่อง ดู **ที่ส่วน** ตรวจสอบระดับน้ำมัน
- ต้องแน่ใจว่าชุดควบคุมการขับเคลื่อน (หากติดตั้งไว้) ถูกปลดออกแล้ว
- ขยับคันโยกเชื้อเพลิงหรือจุดระเบิด (A, รูปที่ 7) (หากติดตั้งไว้) ไปที่ตำแหน่ง "เปิด" หรือ "สตาร์ทเครื่องยนต์"
- ขยับชุดควบคุมวาล์วปีกผีเสื้อ (B, รูปที่ 7) (หากติดตั้งไว้) ไปที่ตำแหน่ง "เร็ว" ใช้งานเครื่องยนต์ในตำแหน่ง "เร็ว"
- ขยับชุดควบคุมโซ้ค (C, รูปที่ 7, 8) ไปที่ตำแหน่ง "ปิด"

หมายเหตุ: ปกติแล้วโซ้คไม่ใช้ส่วนประกอบที่จำเป็นเมื่อสตาร์ทเครื่องยนต์ที่ยังอุ่นอยู่ใหม่

- ขยับสวิตช์ดับเครื่อง (E, รูปที่ 8) (หากติดตั้งไว้) ไปที่ตำแหน่ง "เปิด"
- สตาร์ทกลับทาง หากมีการติดตั้ง:** ถอดค้ำจับสายสตาร์ทให้แน่น (D, รูปที่ 7, 8) ดึงส่วนที่จับของสายสตาร์ทอย่างช้าๆ จนกระทั่งรู้สึกถึงแรงต้าน จากนั้นให้ดึงอย่างรวดเร็ว



การดึงกลับที่รวดเร็วของสายสตาร์ท (การดีดกลับ) จะดึงมือและแขนของคุณเข้าหาเครื่องยนต์นั้นเร็วกว่าที่คุณจะสามารถดึงออกได้ทัน ผลที่เกิดขึ้นก็คืออาจทำให้กระดูกหัก กระดูกแตก เกิดแผลฟกช้ำ หรือมีอาการเคล็ดได้ เมื่อสตาร์ทเครื่องยนต์ ให้ดึงสายสตาร์ทอย่างช้าๆ จนกระทั่งรู้สึกถึงแรงต้าน แล้วจึงดึงอย่างรวดเร็วเพื่อหลีกเลี่ยงการดีดกลับ

- สตาร์ทไฟฟ้า หากมีการติดตั้ง:** ปิดสวิตช์สตาร์ทไฟฟ้า (F, รูปที่ 8) ไปที่ตำแหน่ง "เปิด" หรือ "สตาร์ทเครื่องยนต์"

ประกาศ เพื่อยืดอายุการใช้งานของสตาร์ทเตอร์ ให้ใช้รอบการสตาร์ทที่สั้น (สูงสุดห้าวินาที) รอบหนึ่งทีระหว่าง รอบการสตาร์ท

- ในขณะที่กำลังอุ่นเครื่องยนต์ ให้ขยับชุดควบคุมโซ้ค (C, รูปที่ 7, 8) ไปที่ตำแหน่ง "เปิด"

หมายเหตุ: หากเครื่องยนต์ไม่ยอมสตาร์ทหลังจากพยายามซ้ำหลายครั้ง ให้ติดต่อตัวแทนจำหน่ายในท้องถิ่นหรือไปที่ VanguardEngines.com หรือโทรหมายเลข 1-800-999-9333 (ในสหรัฐอเมริกา)

ดับเครื่องยนต์



น้ำมันเชื้อเพลิงและไอระเหยของน้ำมันเชื้อเพลิงดังกล่าวมีลักษณะไวไฟและระเบิดได้

ไฟหรือแรงระเบิดอาจเป็นสาเหตุให้เกิดแผลไหม้รุนแรงหรือเสียชีวิตได้

- ห้ามลดปริมาณอากาศเข้าคาบูเรเตอร์เพื่อดับเครื่องยนต์

- สวิตช์ดับเครื่อง (หากติดตั้งไว้):** ขยับสวิตช์ดับเครื่อง (E, รูปที่ 8) ไปที่ตำแหน่ง "ปิด" **คันโยกเชื้อเพลิงและจุดระเบิด หากมีการติดตั้ง:** ขยับคันโยกเชื้อเพลิงและจุดระเบิด (A, รูปที่ 7) ไปที่ตำแหน่ง "ปิด" หรือ "ดับเครื่อง"
- สตาร์ทไฟฟ้า หากมีการติดตั้ง:** ดึงกุญแจออก เก็บกุญแจไว้ในที่ซึ่งเด็กเอื้อมไม่ถึง

การบำรุงรักษา

ประกาศ หากต้องแยกเครื่องยนต์ในระหว่างการซ่อมบำรุง ถังน้ำมันที่เชื่อมยึดกับเครื่องยนต์ต้องวางเปล่าและปลั๊กจุดประกายปรับขึ้น หากถังน้ำมันยังมีน้ำมันอยู่ เมื่อแยกเครื่องยนต์ไม่ว่าในทิศทางใดก็ตาม มันอาจจะประกายที่เสถียรเนื่องจากน้ำมันเครื่องหรือน้ำมันเชื้อเพลิงบนเบื่อนในที่กรองอากาศ และ/หรือปลั๊กจุดประกาย



เตือน
เมื่อทำการซ่อมบำรุงที่ต้องแยกหน่วยถังน้ำมันที่เชื่อมยึดกับเครื่องยนต์ต้องวางเปล่าหรือมีถังน้ำมันที่วางอย่างระมัดระวังและอาจก่อให้เกิดเพลิงไหม้หรือการระเบิดได้

เราขอแนะนำให้คุณไปพบตัวแทนจำหน่ายและการบริการที่ได้รับมอบอำนาจของ Briggs & Stratton สำหรับบริการดูแลรักษาเครื่องยนต์และชิ้นส่วนทุกชนิด

ประกาศ All the components used to build this engine must remain in place for proper operation.



เตือน
ประกายไฟที่เกิดโดยไม่ได้เจตนาสามารถก่อให้เกิดเพลิงไหม้หรือไฟฟ้าลัดวงจรได้
ประกายไฟที่เกิดโดยไม่ได้เจตนาสามารถก่อให้เกิดเพลิงไหม้หรือไฟฟ้าลัดวงจรได้

อันตรายจากเพลิงไหม้

ก่อนทำการปรับหรือซ่อมบำรุง:

- ถอดปลั๊กสายไฟที่อาจก่อให้เกิดประกายไฟและนำออกห่างจากตัวปลั๊ก
- ถอดแบตเตอรี่ที่ขั้วลบ (เฉพาะเครื่องยนต์ที่เริ่มการทำงานด้วยระบบไฟฟ้า)
- ใช้เครื่องมือที่ถูกต้องเท่านั้น
- อย่าแตะต้องกลไกทำงานของสปริงควบคุม จุดเชื่อมต่อ หรือ ส่วนอื่น ๆ เพื่อเร่งการทำงานของเครื่องยนต์ให้เร็วขึ้น
- ชิ้นส่วนที่ทำมาเปลี่ยนแทนต้องเป็นแบบเดียวกันและได้รับการติดตั้งในตำแหน่งเดิม ชิ้นส่วนอาจจะไม่ทำงาน อาจทำความเสียหายแก่เครื่องยนต์ และก่อให้เกิดการบาดเจ็บเป็นอันตรายแก่ผู้ปฏิบัติงานได้.
- อย่าใช้ค้อนหรือของแข็งทุบวงล้อเพราะวงล้ออาจแตกภายหลังในขณะใช้งาน

เมื่อทำการทดสอบการจุดประกายไฟ:

- ใช้ตัวทดสอบปลั๊กที่ได้รับการรับรอง
- อย่าทำการทดสอบการจุดประกายไฟเมื่อไม่ได้เสียบปลั๊ก

การให้บริการควบคุมการปล่อยมลพิษ

การบำรุงรักษา การทดแทนหรือการซ่อมแซมของอุปกรณ์ควบคุมและระบบการปล่อยมลพิษอาจมีการดำเนินการโดยการจัดแจงซ่อมเครื่องยนต์ของโปรดหรือบุคคลใด ๆ แต่อย่างไรก็ตาม การให้บริการควบคุมการปล่อยมลพิษ "โดยไม่มีค่าใช้จ่าย" จะต้องมีการดำเนินการโดยโรงงานตัวแทนจำหน่ายที่ได้รับอนุญาต ดูคำชี้แจงการควบคุมการปล่อยมลพิษ

กำหนดการบำรุงรักษา

5 ชั่วโมงแรก
<ul style="list-style-type: none"> เปลี่ยนน้ำมัน
ทุก 8 ชั่วโมงหรือทุกวัน
<ul style="list-style-type: none"> ตรวจสอบระดับน้ำมันเครื่อง ทำความสะอาดพื้นที่โดยรอบหม้อพักไอเสียและชุดควบคุม ทำความสะอาดตะแกรงรับไอดีเข้า
ทุก 25 ชั่วโมงหรือทุกปี
<ul style="list-style-type: none"> ทำความสะอาดตัวกรองอากาศ ¹ ทำความสะอาดตัวฟอกอากาศขั้นต้น ¹
ทุก 50 ชั่วโมงหรือทุกปี
<ul style="list-style-type: none"> เปลี่ยนน้ำมันเครื่อง บริการระบบปล่อยไอเสีย
ทุก 100 ชั่วโมง
<ul style="list-style-type: none"> เปลี่ยนน้ำมันลดอัตราทดเกียร์ (หากติดตั้งไว้)
ทุกปี

- เปลี่ยนหัวเทียนใหม่
- เปลี่ยนตัวกรองอากาศ
- เปลี่ยนตัวฟอกอากาศขั้นต้นใหม่
- บริการระบบเชื้อเพลิง
- บริการระบบหล่อเย็น ¹
- ตรวจสอบระยะห่างวาล์ว ²

¹ ในสภาวะที่มีฝุ่นหรือเมื่อเศษวัสดุในอากาศ ให้ทำความสะอาดบ่อยครั้งยิ่งขึ้น
² ไม่จำเป็นต้องทำงานกว่าจะมีปัญหาเกี่ยวกับเครื่องยนต์

คาร์บูเรเตอร์และความเร็วรอบเครื่องยนต์

ต้องไม่ทำการปรับแต่งคาร์บูเรเตอร์หรือความเร็วรอบเครื่องยนต์ มีการตั้งค่าคาร์บูเรเตอร์มาจากโรงงานเพื่อให้ทำงานได้อย่างมีประสิทธิภาพภายใต้สภาวะโดยส่วนใหญ่ทั่วไป ห้ามเข้าไปยุ่งเกี่ยวกับสปริงควบคุมความเร็วของเครื่องยนต์ ส่วนเชื่อมต่อ หรือ ส่วนอื่นๆ เพื่อเปลี่ยนความเร็วรอบเครื่องยนต์ หากจำเป็นต้องมีการปรับเปลี่ยนใดๆ กรุณาติดต่อตัวแทนจำหน่ายให้บริการที่ได้รับอนุญาตจาก Briggs & Stratton สำหรับบริการให้บริการ

ประกาศ ผู้ผลิอุปกรณ์ระบุรอบสูงสุดสำหรับเครื่องยนต์ตามที่ติดตั้งบนอุปกรณ์ ห้ามขยับเกินรอบความเร็วนี้ หากคุณไม่แน่ใจว่ารอบสูงสุดของอุปกรณ์เป็นเท่าใดหรือรอบของเครื่องยนต์ที่มีการตั้งค่ามาจากโรงงานเป็นเท่าใด กรุณาติดต่อตัวแทนจำหน่ายให้บริการที่ได้รับอนุญาตจาก Briggs & Stratton เพื่อขอรับความช่วยเหลือ สำหรับการดำเนินงานที่ปลอดภัยและเหมาะสมของอุปกรณ์ ความเร็วรอบเครื่องยนต์ควรได้รับการปรับเปลี่ยนโดยช่างเทคนิคบริการที่มีคุณภาพเท่านั้น

บริการปลั๊กชนวน

ดูรูปภาพ: 9

ตรวจสอบช่องว่าง (รูปภาพ A 9) ด้วยลวดวัด (B) หากจำเป็นให้ปรับช่องว่างใหม่ ติดตั้งและขันปลั๊กให้แน่นที่กำลังบิดที่แนะนำ สำหรับการตั้งช่องว่างหรือกำลังบิด กรุณาดูที่ **ส่วน** ข้อมูลเฉพาะ

หมายเหตุ: กฎหมายท้องถิ่นในบางพื้นที่บังคับให้มีการใช้ตัวต้านทานการเกิดประกายไฟ-เพื่อยับยั้งสัญญาณการจุดประกาย หากเครื่องยนต์นี้ได้รับการติดตั้งตัวต้านทานการเกิดประกายไฟ-มาก่อน กรุณาใช้อะไหล่ประเภทเดียวกันเมื่อต้องการเปลี่ยน

ระบบท่อไอเสีย



การเดินเครื่องยนต์จะก่อให้เกิดความร้อน ชิ้นส่วนเครื่องยนต์ โดยเฉพาะเครื่องกรองอากาศจะร้อนมาก

อาจมีอาการไหม้รุนแรงเมื่อสัมผัส

เศษขยะที่สามารถเกิดการสันดาบ เช่น ใบไม้ หญ้า พุ่มไม้ และอื่น ๆ สามารถก่อให้เกิดเพลิงไหม้ได้

- ปล่อยให้เครื่องกรองอากาศ ลูกสูบเครื่องยนต์และครีบเย็นก่อนที่จะสัมผัส
- เอาเศษขยะสิ่งสกปรกจากบริเวณเครื่องกรองอากาศและลูกสูบ
- การใช้หรือเดินเครื่องในบริเวณที่มีปากคลุม พุ่มไม้ ปุ่มคลุมหรือหญ้าปกคลุมถือเป็นการกระทำผิดรุนแรงตามมาตรการทรัพยากรสาธารณสุขของรัฐแคลิฟอร์เนีย มาตรา 4442 นอกจากระบบท่อไอเสียจะมีเครื่องจับประกายไฟ ตามที่กำหนดไว้ในมาตรา 4442 เพื่อรักษาประสิทธิภาพการปฏิบัติงาน กฎหมายของรัฐอื่นหรือรัฐบาลกลางอาจมีกฎหมายที่มีใจความเดียวกัน กรุณาติดต่อผู้ผลิตอุปกรณ์ ผู้ขายปลั๊กหรือตัวแทนจำหน่ายเพื่อรับเครื่องจับประกายไฟที่ได้รับการออกแบบมาเพื่อระบบท่อไอเสียในเครื่องยนต์เครื่องนี้

ขจัดเศษขยะที่สิ่งสกปรกจากเครื่องกรองอากาศและลูกสูบ ตรวจสอบเครื่องกรองอากาศเพื่อหารอยรั่ว การผูกพัน หรือ ความเสียหายอื่น ๆ ถอดเครื่องต้นหรือเครื่องจับประกายไฟหากมีประกอบอยู่ และตรวจสอบความเสียหายหรือการอุดตันของถ่านคาร์บอน หากพบความเสียหายให้เปลี่ยนอะไหล่ก่อนการเดินเครื่อง



เตือน
ชิ้นส่วนในการเปลี่ยนต้องมีรูปแบบเดียวกันและติดตั้งในตำแหน่งเดียวกันกับชิ้นส่วนเดิม ชิ้นส่วนแบบอื่น ๆ อาจทำงานได้ไม่ดี อาจสร้างความเสียหาย และอาจก่อให้เกิดการบาดเจ็บได้

เปลี่ยนน้ำมันเครื่อง

ดูรูปที่: 10, 11

น้ำมันที่ใช้แล้วเป็นผลิตภัณฑ์เหลือใช้ที่เป็นอันตรายและต้องมีการกำจัดอย่างเหมาะสม ห้ามกำจัดทิ้งไปกับขยะจากครัวเรือน ให้ตรวจสอบกับหน่วยงานราชการ ศูนย์บริการ หรือตัวแทนจำหน่ายในท้องถิ่นของคุณเกี่ยวกับสถานที่กำจัด/นำกลับมาหมุนเวียนใช้ใหม่ที่ปลอดภัย

ถ่ายน้ำมันออก

- เมื่อเครื่องยนต์หยุดทำงานแต่ยังคงอุ่นอยู่ ให้ปลดสายหัวเทียน (D, รูปที่ 10) และเก็บไว้ห่างจากหัวเทียน(E)
- ถอดก้านวัดน้ำมันเครื่อง (A, รูปที่ 11) ออก
- ถอดปลั๊กระบายน้ำมัน (F, รูปที่ 11) ถ่ายน้ำมันลงในภาชนะที่รับรองแล้ว

หมายเหตุ: ปลั๊กระบายน้ำมันต่างๆ (G, รูปที่ 11) ถูกติดตั้งในเครื่องยนต์

- หลังจากระบายน้ำมันแล้ว ให้ติดตั้งปลั๊กระบายน้ำมันแล้วขันให้แน่น (F, รูปที่ 11)

เติมน้ำมัน

- ต้องแน่ใจว่าเครื่องยนต์อยู่ในแนวระดับ
- ทำความสะอาดเพื่อกำจัดเศษวัสดุใดๆ ออกจากบริเวณที่เติมน้ำมัน
- ดูที่ส่วน **ข้อมูลจำเพาะ** สำหรับความจุน้ำมัน

- ถอดก้านวัดน้ำมันเครื่อง (A, รูปที่ 11) ออกและเช็ดด้วยผ้าสะอาด
- เติมน้ำมันลงในช่องเติมน้ำมันของเครื่องยนต์ (C, รูปที่ 11) อย่างช้าๆ เติมน้ำมันจนถึงจุดที่บอกระดับสัน
- ติดตั้งก้านวัดน้ำมันเครื่อง (A, รูปที่ 11) ห้ามหมุนหรือขันจนแน่น
- ถอดก้านวัดน้ำมันเครื่องออกและตรวจสอบระดับน้ำมัน ระดับน้ำมันที่ถูกต้องคือที่ด้านบนสุดของตัวถังน้ำมันเต็ม (B, รูปที่ 11)
- ติดตั้งก้านวัดน้ำมันเครื่อง (A, รูปที่ 11) กลับเข้าที่แล้วขันให้แน่น
- เชื่อมต่อสายหัวเทียน (D, รูปที่ 10) เข้ากับหัวเทียน (E)

เปลี่ยนน้ำมันลดอัตราทดเกียร์

ดูรูปที่: 12, 13

ชุดทดเกียร์อัตรา 6:1 (รูปที่ 12)

หากเครื่องยนต์ของคุณมีชุดทดเกียร์อัตรา 6:1 ติดตั้งมาด้วย ให้ดำเนินการซ่อมบำรุงดังต่อไปนี้:

- ถอดจุกเติมน้ำมัน (A, รูปที่ 12) และจุกวัดระดับน้ำมัน (B) ออก
- ถอดจุกถ่ายน้ำมัน (C, รูปที่ 12) ออกและถ่ายน้ำมันลงในภาชนะรองรับที่เหมาะสม
- ติดตั้งจุกถ่ายน้ำมัน (F, รูปที่ 12) กลับเข้าที่แล้วขันให้แน่น
- ในการเติมน้ำมัน ให้เทน้ำมันหล่อลื่นเกียร์ (ดูที่ส่วน **ข้อมูลจำเพาะ**) ลงในรูเติมน้ำมัน (D, รูปที่ 12) อย่างช้าๆ เทต่อไปจนกว่าน้ำมันจะไหลออกจากรูวัดระดับน้ำมัน (E)
- ติดตั้งจุกวัดระดับน้ำมัน (B, รูปที่ 12) กลับเข้าที่แล้วขันให้แน่น
- ติดตั้งจุกเติมน้ำมัน (A, รูปที่ 12) กลับเข้าที่แล้วขันให้แน่น

หมายเหตุ: จุกเติมน้ำมัน (A, รูปที่ 12) มีรูระบายอากาศ (F) และต้องได้รับการติดตั้งไว้ทางด้านบนสุดของกระป๋องเกียร์ดังที่แสดงไว้

ชุดทดเกียร์อัตรา 2:1 (รูปที่ 13)

ชุดทดเกียร์อัตรา 2:1 (G, รูปที่ 13) ไม่จำเป็นต้องเปลี่ยนน้ำมัน

ซ่อมบำรุงตัวกรองอากาศ

ดูรูปที่: 14, 15, 16



น้ำมันเชื้อเพลิงและไอระเหยของน้ำมันเชื้อเพลิงดังกล่าวมีลักษณะไวไฟและระเบิดได้

ไฟหรือการระเบิดอาจเป็นสาเหตุให้เกิดแผลไหม้รุนแรงหรือเสียชีวิตได้

- ห้ามสูบบุหรี่และใช้งานเครื่องยนต์ในสภาพที่มีการถอดชุดประกอบตัวกรองอากาศ (หากติดตั้งไว้) หรือตัวกรองอากาศ (หากติดตั้งไว้) ออก

ประกาศ ห้ามใช้อากาศอัดหรือตัวทำลายในการทำความสะอาดตัวกรอง อากาศอัดอาจทำให้ตัวกรองเสียหาย ส่วนตัวทำลายจะก่อให้เกิดตัวกรองละลายได้

ดู **กำหนดการบำรุงรักษา** สำหรับข้อกำหนดในการซ่อมบำรุง

รุ่นทั้งหลายจะใช้ตัวกรองแบบกระดาษหรือแบบโฟม บางรุ่นอาจจะมีทั้งตัวกรองอากาศขั้นต้นที่เป็นอุปกรณ์เสริมซึ่งสามารถล้างและนำกลับมาใช้ใหม่ได้อีกด้วย เปรียบเทียบสภาพตัวอย่างในคู่มือเกี่ยวกับประเภทที่ติดตั้งบนเครื่องยนต์ของคุณและดำเนินการซ่อมบำรุงดังต่อไปนี้

ตัวกรองอากาศแบบโฟม

- คลายตัวยึด (A, รูปที่ 14)
- ถอดฝาครอบออก (B, รูปที่ 14)
- ถอดตัวยึด (D, รูปที่ 14) และแหวนรอง (E) ออก

- เพื่อเป็นการป้องกันมิให้เศษวัสดุหล่นลงไปในคาร์บูเรเตอร์ ให้ถอดองค์ประกอบชนิดโฟม (C, รูปที่ 14) ออกจากฐานตัวกรองอากาศ (G) อย่างระมัดระวัง
- ถอดถ้วยรอง (F, รูปที่ 14) ออกจากองค์ประกอบชนิดโฟม (C)
- ล้างองค์ประกอบชนิดโฟม (C, รูปที่ 14) ในสารซักล้างชนิดเหลวและน้ำ บิบน้ำออกจากองค์ประกอบชนิดโฟมในผ้าสะอาดจนแห้ง
- นำองค์ประกอบชนิดโฟม (C, รูปที่ 14) ไปแช่ลงในน้ำมันเครื่องที่สะอาดจนชุ่มเต็มที่ ในการขจัดน้ำมันเครื่องส่วนเกินออก ให้บีบองค์ประกอบชนิดโฟมนั้นในผ้าสะอาด
- สอดถ้วยรอง (F, รูปที่ 14) เข้าไปในองค์ประกอบชนิดโฟม (C)
- ติดตั้งองค์ประกอบชนิดโฟม (C, รูปที่ 14) เข้ากับฐานตัวกรองอากาศ (G) และลงบนสตัด (H) ต้องแน่ใจว่าองค์ประกอบชนิดโฟมประกอบเข้ากับฐานตัวกรองอากาศอย่างถูกต้องแล้ว จากนั้นจึงยึดด้วยแหวนรอง (E) และตัวยึด (D)
- ติดตั้งฝาครอบ (B, รูปที่ 14) และยึดให้แน่นด้วยตัวยึด (A) ต้องแน่ใจว่าตัวยึดแน่นสนิทแล้ว

ตัวกรองอากาศแบบกระดาษ

- คลายตัวยึด (A, รูปที่ 15)
- ถอดฝาครอบออก (B, รูปที่ 15)
- ถอดตัวยึดออก (E, รูปที่ 15)
- เพื่อเป็นการป้องกันมิให้เศษวัสดุหล่นลงไปในคาร์บูเรเตอร์ ให้ถอดตัวฟอกอากาศขั้นต้น (D, รูปที่ 15) (หากติดตั้ง) และตัวกรอง (C) ออกจากฐานตัวกรองอากาศ (F) อย่างระมัดระวัง
- เพื่อเป็นการทำให้เศษวัสดุหลุดออกง่าย ให้เคาะตัวกรอง (C, รูปที่ 15) เบาๆ บนพื้นผิวแข็ง หากตัวกรองสกปรกมากเกินไป ให้เปลี่ยนแทนด้วยตัวกรองใหม่
- ถอดตัวฟอกอากาศขั้นต้น (D, รูปที่ 15) (หากติดตั้ง) ออกจากตัวกรอง (C)
- ล้างตัวฟอกอากาศขั้นต้น (D, รูปที่ 15) ในสารซักล้างชนิดเหลวและน้ำ ผึ่งตัวฟอกอากาศขั้นต้นทิ้งไว้จนแห้งสนิท ห้ามหยอดน้ำมันใส่ตัวฟอกอากาศขั้นต้น
- ประกอบตัวฟอกอากาศขั้นต้น (D, รูปที่ 15) (หากติดตั้ง) ที่แห้งแล้วเข้ากับตัวกรอง (C)
- ติดตั้งแหวนรองซิล (H, รูปที่ 15) และตัวกรอง (C) และตัวฟอกอากาศขั้นต้น (D) เข้ากับฐานตัวกรองอากาศ (F) และลงบนสตัด (G) ต้องแน่ใจว่าได้ประกอบตัวกรองเข้ากับฐานตัวกรองอากาศอย่างถูกต้องและยึดให้แน่นด้วยตัวยึด (E) แล้ว
- ติดตั้งฝาครอบ (B, รูปที่ 15) และยึดให้แน่นด้วยตัวยึด (A) ต้องแน่ใจว่าตัวยึดแน่นสนิทแล้ว

ตัวกรองอากาศแบบกระดาษ

- คลายตัวยึด (D, รูปที่ 16)
- ถอดฝาครอบ (A, รูปที่ 16)
- ถอดตัวฟอกอากาศขั้นต้น (C, รูปที่ 16) ออกจากตัวกรอง (B) หากมีการติดตั้งไว้
- เพื่อเป็นการทำให้เศษวัสดุหลุดออกง่าย ให้เคาะตัวกรอง (B, รูปที่ 16) เบาๆ บนพื้นผิวแข็ง หากตัวกรองสกปรกมากเกินไป ให้เปลี่ยนแทนด้วยตัวกรองใหม่
- ล้างตัวฟอกอากาศขั้นต้น (C, รูปที่ 16) ในสารซักล้างชนิดเหลวและน้ำ หากมีการติดตั้งไว้ ผึ่งตัวฟอกอากาศขั้นต้นทิ้งไว้จนแห้งสนิท ห้ามหยอดน้ำมันใส่ตัวฟอกอากาศขั้นต้น
- ติดตั้งตัวฟอกอากาศขั้นต้น (C, รูปที่ 16) ออกจากตัวกรอง (B) หากมีการติดตั้งไว้
- ติดตั้งฝาครอบ (A, รูปที่ 16) และยึดให้แน่นด้วยตัวยึด (D) ต้องแน่ใจว่าตัวยึดแน่นสนิทแล้ว

ซ่อมบำรุงระบบน้ำมันเชื้อเพลิง

ดูจากรูป: 17, 18



น้ำมันเชื้อเพลิงและไอระเหยเป็นสิ่งที่ไวไฟและง่ายต่อการระเบิดอย่างมาก

ไฟหรือการระเบิดสามารถทำให้เกิดไหม้อย่างมากหรือถึงแก่ชีวิต

- เก็บรักษาน้ำมันเชื้อเพลิงให้ห่างจากประกายไฟ เปลวไฟ ไฟนาร่อง ความร้อน และแหล่งจุดติดไฟอื่นๆ
- ตรวจสอบสาย ถัง ฝาปิดน้ำมันเชื้อเพลิง และชิ้นส่วนประกอบต่างๆ เป็นประจำเพื่อตรวจสอบรอยแตกหรือการรั่วซึมเปลี่ยนหากจำเป็น
- ก่อนการทำความสะอาดหรือเปลี่ยนตัวกรองน้ำมันเชื้อเพลิง ให้ระบายถังเชื้อเพลิงหรือปิดวาล์วปิดน้ำมันเชื้อเพลิง
- หากน้ำมันเชื้อเพลิงหกหล่น ให้รองจนกระทั่งน้ำมันเชื้อเพลิงระเหยไปจนหมด ก่อนทำการสูบบุหรี่เครื่องยนต์
- อุปกรณ์ที่ใช้เปลี่ยนจะต้องเป็นแบบเดียวกัน และติดตั้งในตำแหน่งเดียวกันกับชิ้นส่วนเดิมจากผู้ผลิต

ตัวกรองน้ำมันเชื้อเพลิง หากมีการติดตั้ง

- ก่อนการทำความสะอาดหรือเปลี่ยนตัวกรองน้ำมันเชื้อเพลิง (รูป A 17), ให้ระบายถังน้ำมันเชื้อเพลิงหรือปิดวาล์วปิดน้ำมันเชื้อเพลิงมิเช่นนั้นน้ำมันเชื้อเพลิงอาจรั่วไหล ออกมาและทำให้ไฟไหม้หรือระเบิดได้
- ใช้คู่มือบิบบ (รูป B 17) ที่ แคลมป์ยึด (C) แล้วเลื่อนแคลมป์ยึดให้ห่างจากตัวกรองน้ำมันเชื้อเพลิง (A) บิดแล้ว ดึงสายน้ำมันเชื้อเพลิง (D) ออกจากตัวกรองน้ำมันเชื้อเพลิง

- ตรวจสอบสายน้ำมันเชื้อเพลิง (D รูปที่ 17) เพื่อดู รอยแตกหรือรอยร้าวเปลี่ยนหากจำเป็น
- เปลี่ยนตัวกรองน้ำมันเชื้อเพลิง (A รูปที่ 17) ด้วย อะไหล่ตัวกรองดั้งเดิม
- ยึดสายน้ำมันเชื้อเพลิง (D รูปที่ 17) ด้วย แคลมป์ยึด (C) ตามที่แสดงไว้

ตัวกรองเชื้อเพลิง หากมีการติดตั้ง

- ถอดฝาน้ำมัน (A รูปที่ 18)
- ถอดตัวกรองน้ำมันเชื้อเพลิง (B รูปที่ 18)
- หากตัวกรองเชื้อเพลิงสกปรก ให้ทำความสะอาดหรือเปลี่ยนใหม่หากคุณ เปลี่ยนตัวกรองน้ำมันเชื้อเพลิง ต้องแน่ใจว่าใช้อะไหล่ตัวกรองน้ำมันเชื้อเพลิงดั้งเดิม

ระบบทำความสะอาด



เตือน

การเดินเครื่องยนต์ทำให้เกิดความร้อน ชิ้นส่วนเครื่องยนต์ โดยเฉพาะในส่วนของเครื่องกรองเสียงจะร้อนมาก

อาจทำให้เกิดการไหม้อย่างรุนแรงบนผิวเมื่อสัมผัสได้

เศษขยะที่สามารถเกิดการสันดาบได้ เช่น ไม้ ใบหญ้า พุ่มไม้ เป็นต้น สามารถก่อให้เกิดเปลวเพลิงได้

- ปล่อยให้เครื่องกรองเสียง ลุกสูบและครีบบนเครื่องยนต์เย็นลงก่อนที่จะสัมผัส
- นำเศษขยะที่สะสมออกจากบริเวณเครื่องกรองเสียงและลูกสูบ

ประกาศ อย่าใช้น้ำในการทำทำความสะอาดเครื่องยนต์ น้ำอาจปนเปื้อนในระบบน้ำมัน ให้ใช้แปรงหรือผ้าแห้งทำความสะอาดเครื่องยนต์

นี่คือเครื่องเย็นที่จะลดอุณหภูมิลงโดยอากาศภายนอก ฝุ่นผงหรือเศษขยะสามารถขัดขวางการไหลเวียนของอากาศ และก่อให้เกิดความร้อนสูงมากเกินไป อันจะส่งผลให้ประสิทธิภาพการทำงานลดลงและลดอายุการใช้งานได้

- ใช้แปรงหรือผ้าแห้งเช็ดทำความสะอาดเศษขยะออกจากตะแกรงรับอากาศ
- รักษาให้ข้อต่อ สปริงและแผงควบคุมให้สะอาดอยู่เสมอ
- รักษาบริเวณรอบ ๆ และข้างหลังเครื่องกรองเสียง หากมีติดตั้งอยู่ให้ปราศจากเศษขยะที่เกิดการสันดาบได้
- ตรวจสอบครีบบนเครื่องทำความสะอาดของน้ำมัน หากมีติดตั้งอยู่ให้ปราศจากฝุ่นผงและเศษขยะเสมอ

หลังจากระยะเวลาหนึ่ง เศษขยะสามารถสะสมในครีบบนทำความสะอาดของลูกสูบและทำให้เครื่องยนต์มีความร้อนสูงเกินไปได้ เศษขยะเหล่านี้จะไม่สามารถเอาออกมาได้ยกเว้นจะต้องถอดชิ้นส่วนบางอย่างของเครื่องยนต์ออกเสียก่อน ให้เจ้าหน้าที่ผู้ให้บริการที่ได้รับการรับรองจากตัวแทนจำหน่ายของ Briggs & Stratton ทำการตรวจสอบและทำความสะอาดระบบทำความสะอาดตามระยะเวลาที่ระบุใน **ตารางการบำรุงรักษา**

การเก็บรักษา



เตือน

น้ำมันเชื้อเพลิงและไอระเหยของน้ำมันเชื้อเพลิงดังกล่าว มีลักษณะไวไฟและระเบิดได้

ไฟหรือแรงระเบิดอาจ เป็นสาเหตุให้เกิดแผลไหม้รุนแรงหรือเสียชีวิตได้

เมื่อเก็บรักษาน้ำมันเชื้อเพลิงหรือ อุปกรณ์ที่มีน้ำมันเชื้อเพลิงอยู่ในถัง

- วางไว้ให้ห่างจากเตาเผา เตอบ เครื่องทำความร้อน เสื้อผ้าแห้ง หรือสิ่งอื่นใดที่มีหลอดไฟฟาดว่งเล็กหรือ แหล่งสำหรับการเผาไหม้ เพราะอาจเกิดการลุกไหม้ได้เนื่องจากไอของน้ำมันเชื้อเพลิง

ระบบน้ำมันเชื้อเพลิง

รูปที่: 19

รักษาระดับของเครื่องยนต์ไว้ (ตำแหน่งการทำงานปกติ) เดิมถ้าน้ำมัน (A รูป 19) ด้วยน้ำมัน เพื่อการขยายตัวของน้ำมันเชื้อเพลิง อย่างเต็มเกินส่วนของคอลลิงน้ำมัน (B)

น้ำมันเชื้อเพลิงอาจเสื่อมสภาพได้หากเก็บค้างไว้นานกว่า 30 วัน การเสื่อมสภาพ ของน้ำมันเชื้อเพลิงทำให้เกิดกรดและยางเหนียวสะสมในระบบน้ำมันเชื้อเพลิงหรือชิ้นส่วนสำคัญ ในคาร์บูเรเตอร์ ในการรักษาน้ำมันให้สะอาดใหม่ ให้ใช้ **น้ำมันเชื้อเพลิงสูตรพิเศษของ Briggs & Stratton เพื่อการบำรุงรักษาและเพิ่มเสถียรภาพ** หาซื้อ ได้ทุกแห่งที่จำหน่ายอะไหล่บริการของแท้จาก Briggs & Stratton

ไม่จำเป็นต้องระบายน้ำมันเชื้อเพลิงออกจากเครื่องยนต์ หาก น้ำมันเชื้อเพลิงได้มีการใส่สารเสริมเสถียรภาพตามที่ระบุไว้ในคู่มือแล้ว เดินเครื่องยนต์เป็นเวลาสอง 2 นาที เพื่อให้สารเสริมเสถียรภาพไหลเวียนไปทั่วระบบน้ำมันเชื้อเพลิงก่อน ทำการจัดเก็บ

หากน้ำมันเบนซินในเครื่องยนต์ไม่ได้รับการรักษาด้วย สารเสริมเสถียรภาพ ก็จำเป็นต้องระบายน้ำมันทิ้งลงในภาชนะที่กำหนด ใช้งานเครื่องยนต์ จนกระทั่งเครื่องยนต์ดับเนื่องจากน้ำมันเชื้อเพลิงหมด แนะนำให้ใช้สารเสริมเสถียรภาพในภาชนะ เก็บรักษา เพื่อให้ น้ำมันเชื้อเพลิงคงสภาพเหมือนใหม่

น้ำมันเครื่อง

ในขณะที่เครื่องยนต์ยังอุ่นอยู่ให้ทำการเปลี่ยนน้ำมันเครื่อง กรงาตุ **ส่วน** การเปลี่ยนถ่านน้ำมันเครื่อง

การแก้ไขปัญหา

ต้องการความช่วยเหลือ ให้ติดต่อตัวแทนจำหน่ายในท้องถิ่นของคุณ หรือไปที่ VanguardEngines.com หรือโทรหมายเลข **1-800-999-9333** (ในสหรัฐอเมริกา)

ข้อมูลจำเพาะ

รุ่น: 130000	
ความจุเครื่องยนต์	12.48 ci (205 cc)
ขนาดกระบอกสูบ	2.688 in (68,28 mm)
จังหวะการทำงาน	2.200 in (55,88 mm)
ความจุน้ำมัน	20 - 22 oz (,59 - ,65 L)
ประเภทน้ำมันลดอัตราทดเกียร์	80W-90
ความจุน้ำมันลดอัตราทดเกียร์	4 oz (,12 L)
ช่องว่างหัวเทียน	.030 in (,76 mm)
แรงบิดหัวเทียน	180 lb-in (20 Nm)
ช่องว่างอากาศอาร์มาเจอร์	.010 - .014 in (,25 - ,36 mm)
ระยะห่างวาล์วไอดี	.004 - .006 in (,10 - ,15 mm)
ระยะห่างวาล์วไอเสีย	.009 - .011 in (,23 - ,28 mm)

รุ่น: 190000	
ความจุเครื่องยนต์	18.63 ci (305 cc)
ขนาดกระบอกสูบ	3.120 in (79,24 mm)
จังหวะการทำงาน	2.438 in (61,93 mm)
ความจุน้ำมัน	26 - 28 oz (,77 - ,83 L)
ประเภทน้ำมันลดอัตราทดเกียร์	SAE 30
ความจุน้ำมันลดอัตราทดเกียร์	12 oz (,35 L)
ช่องว่างหัวเทียน	.030 in (,76 mm)
แรงบิดหัวเทียน	180 lb-in (20 Nm)
ช่องว่างอากาศอาร์มาเจอร์	.010 - .014 in (,25 - ,36 mm)
ระยะห่างวาล์วไอดี	.004 - .006 in (,10 - ,15 mm)
ระยะห่างวาล์วไอเสีย	.004 - .006 in (,10 - ,15 mm)

กำลังเครื่องยนต์จะลดลง 3.5% สำหรับทุก 1,000 ฟุต (300 เมตร) เหนือระดับน้ำทะเลและลดลง 1% สำหรับทุก 10°F (5.6°C) ที่อุณหภูมิสูงกว่า 77°F (25°C) เครื่องยนต์จะทำงานอย่างน่าพอใจเมื่อท่ามกลางไม่เกิน 15° โปรดดูที่คู่มือการทำงานของอุปกรณ์สำหรับข้อจำกัดในการทำงานอย่างปลอดภัยที่ยอมรับได้บนที่ลาดชัน

ชิ้นส่วนอะไหล่ - รุ่น: 130000, 190000	
ชิ้นส่วนอะไหล่	หมายเลขชิ้นส่วน
ตัวกรองอากาศแบบโฟม (โมเดล 130000, รูปที่ 14)	797378
ตัวกรองอากาศแบบกระดาษ (โมเดล 130000, รูปที่ 15)	797033
ตัวฟอกอากาศชนิดตัน (โมเดล 130000, รูปที่ 15)	798513
ตัวกรองอากาศแบบกระดาษ (โมเดล 190000, รูปที่ 15)	797032
ตัวฟอกอากาศชนิดตัน (โมเดล 190000, รูปที่ 15)	798795
ตัวกรองอากาศแบบกระดาษ (รูปที่ 16)	474279
ตัวฟอกอากาศชนิดตัน (รูปที่ 16)	491435S
น้ำมันเชื้อเพลิงสูตรพิเศษเพื่อการบำรุงรักษาและเพิ่มเสถียรภาพ	100117, 100120
หัวเทียนมีตัวต้านทาน	491055
ประแจหัวเทียน	19576, 5402
ตัวทดสอบประกายไฟ	19368

เราแนะนำให้คุณไปที่ตัวแทนจำหน่ายให้บริการที่ได้รับอนุญาตของ Briggs & Stratton สำหรับการบำรุงรักษาและส่วนบริการเครื่องยนต์และอะไหล่

อัตรากำลัง: อัตรากำลังโดยรวมสำหรับเครื่องยนต์รุ่นที่ใช้ น้ำมันเชื้อเพลิง ได้รับการติดป้ายกำกับตามมาตรฐาน SAE (สมาคมวิศวกรรมยานยนต์) รหัส J1940 มาตรฐาน Small Engine Power & Torque Rating Procedure และให้อัตราตามมาตรฐาน SAE J1995 ค่ากำลังบิดเกิดขึ้นที่ 2600 RPM สำหรับเครื่องยนต์ "rpm" ตามป้ายกำกับและ 3060 RPM สำหรับเครื่องยนต์รุ่นอื่น ๆ ค่ากำลังแรงม้าเกิดขึ้นที่ 3600 RPM เส้นกราฟแสดงกำลังโดยรวมสามารถดูได้ที่ www.BRIGGSandSTRATTON.COM ค่ากำลังสูตรวัดเมื่อมีการติดตั้งท่อไอเสียและเครื่องกรองอากาศ

ภาคแล้ว ในขณะที่ค่ากำลังโดยรวมวัดเมื่อไม่มีอุปกรณ์เหล่านี้ติดตั้งอยู่ กำลังของเครื่องยนต์โดยรวมที่แท้จริงจะสูงกว่ากำลังเครื่องยนต์สุดท้าย และได้รับผลกระทบสภาพแวดล้อมของการใช้งานโดยทั่วไปประกอบกับปัจจัยอื่น ๆ ตลอดจนยังมีความแตกต่างกันไปในแต่ละเครื่องยนต์ จากการมีผลิตภัณฑ์มากมายที่เครื่องยนต์ถูกนำไปใช้งาน เครื่องยนต์ที่ใช้ น้ำมันอาจไม่แสดงประสิทธิภาพตามอัตรากำลังโดยรวม เมื่อใช้เป็นส่วนประกอบในเครื่องยนต์ที่ให้กำลังเครื่องหนึ่ง ๆ ความแตกต่างดังกล่าวนี้มีสาเหตุมาจากปัจจัยที่หลากหลาย รวมถึงแต่ไม่จำกัดอยู่ที่ ความแตกต่างของส่วนประกอบในเครื่องยนต์ (เครื่องกรองอากาศ ท่อไอเสีย การชาร์จ การลดอุณหภูมิ คาบูเรเตอร์ บี้ม และอื่น ๆ) ข้อจำกัดในการใช้งาน สภาพแวดล้อมของการใช้งานโดยทั่วไป (อุณหภูมิ ความชื้น ความสูง) และความแตกต่างระหว่างเครื่องยนต์ เนื่องจากข้อจำกัดทางการผลิตและความสามารถ Briggs & Stratton อาจทดแทนเครื่องยนต์ที่มีกำลังมากกว่าสำหรับเครื่องยนต์รุ่นนี้

การรับประกัน

การรับประกันเครื่องยนต์ของ Briggs & Stratton

มีผลตั้งแต่วันที่ 1 มกราคม 2017

ขอบเขตของการรับประกันผลิตภัณฑ์

Briggs & Stratton รับประกันว่าระหว่างในระหว่างการรับประกัน ตามที่ระบุไว้ข้างล่างนี้ จะไม่คิดค่าซ่อมแซมหรือการเปลี่ยนจากอุปกรณ์ที่ ชำรุดจากวัสดุหรือการจากการผลิตหรือจากทั้งสองอย่าง ผู้ซื้อจะต้องรับผิดชอบค่าขนส่งผลิตภัณฑ์ เพื่อการซ่อมแซมหรือการเปลี่ยนภายใต้การรับประกันนี้ การรับประกันนี้จะมีผลบังคับใช้และช่วงเวลาการรับประกัน และเงื่อนไขตามที่เราได้ระบุไว้ข้างล่างนี้ สำหรับการรับประกันการบริการ โปรดค้นหา ตัวแทนบริการที่ได้รับอนุญาตที่ใกล้คุณที่สุดจากแผนที่ที่ตั้งของตัวแทนได้จากเว็บไซต์ BRIGGSandSTRATTON.COM ผู้ซื้อจะต้องติดต่อตัวแทนบริการที่ได้รับอนุญาต และแจ้งผลิตภัณฑ์ ที่ใช้ต่อตัวแทนบริการที่ได้รับอนุญาต เพื่อรับการตรวจสอบและการทดสอบ

ไม่มี การรับประกันแบบอื่น การรับประกันรวมถึง ความสามารถในการขายและความเหมาะสมสำหรับ จุดประสงค์ใดเป็นการเฉพาะนั้นถูกจำกัดอยู่ใน ระยะเวลาการรับประกันด้านล่างหรือตามขอบเขตที่กฎหมายอนุญาต ความรับผิดชอบความเสียหายที่เกิดขึ้นหรือ เป็นผลสืบเนื่องจะได้รับยกเว้นตามขอบเขตที่ได้รับอนุญาตตามกฎหมาย ในบางรัฐหรือบางประเทศไม่อนุญาต ให้มีข้อจำกัดระยะเวลาที่รับประกันเวลาและบางรัฐหรือบางประเทศ ไม่อนุญาต ให้มีการยกเว้นหรือข้อจำกัดของความเสียหาย ที่เกิดขึ้นหรือเป็นผลสืบเนื่อง ดังนั้น ข้อจำกัดข้างต้นและการยกเว้นจะนำมาใช้กับการรับประกันนี้ ให้สิทธิ์ตามกฎหมายที่เฉพาะเจาะจงและคุณยังมีสิทธิ์ อื่นๆ ที่แตกต่างไปตามแต่ละรัฐและประเทศ ⁴

ข้อตกลงการรับประกันแบบมาตรฐาน 1, 2, 3

ยี่ห้อ / ชื่อผลิตภัณฑ์	การใช้งานของผู้บริโภค	การใช้งานเชิงพาณิชย์
Vanguard™ Commercial Series	36 เดือน	36 เดือน
เครื่องยนต์ที่มีปลอกหุ้มเหล็กหล่อแบบ Dura-Bore™	24 เดือน	12 เดือน
เครื่องยนต์อื่นๆ ทั้งหมด	24 เดือน	3 เดือน

¹รายการต่อไปนี้เป็นเงื่อนไขสำหรับการรับประกันตามมาตรฐานของเรา แต่การรับประกันเพิ่มเติมบางรายการอาจไม่ได้รับการพิจารณา ณ เวลาที่เอกสารตีพิมพ์ สำหรับรายละเอียดของข้อตกลงการรับประกันปัจจุบันสำหรับเครื่องยนต์ของคุณ ให้ไปที่ BRIGGSandSTRATTON.com หรือติดต่อ ตัวแทน ที่ได้รับอนุญาตของ Briggs & Stratton ² เครื่องยนต์ในอุปกรณ์ที่ใช้กับพลังงานกำลังหลัก สำหรับอรรถประโยชน์หรือเครื่องกำเนิดไฟฟ้ากำลังสำรองเพื่อวัตถุประสงค์ประสงค์ในเชิงพาณิชย์ ไม่มีการรับประกัน เครื่องยนต์ที่ใช้สำหรับรถแข่งในการแข่งขันหรือบนแทร็ก ให้เช่นหรือในเชิงพาณิชย์จะไม่มีการรับประกัน ³ Vanguard ที่ติดตั้งบนเครื่องกำเนิดไฟฟ้ากำลังสำรอง: 24 เดือน การใช้งานของผู้บริโภค ไม่มีการรับประกันสำหรับการใช้งานเชิงพาณิชย์ Vanguard ที่ถูกติดตั้งบนยานพาหนะอะไหล่: 24 เดือน การใช้งานของผู้บริโภค, 24 เดือน การใช้งานเชิงพาณิชย์ Commercial Series ที่มีวันที่การผลิตก่อนเดือนกรกฎาคม 2017 รับประกัน 24 เดือนสำหรับการใช้งานของผู้บริโภค 24 เดือนสำหรับการใช้งานเชิงพาณิชย์

⁴ ใน ประเทศออสเตรเลีย สินค้าของเราพร้อมกับการรับประกันที่ไม่ได้รับการยกเว้นภายใต้กฎหมายสำหรับผู้บริโภคแห่งประเทศออสเตรเลีย คุณมีสิทธิ์ที่จะขอเปลี่ยนหรือขอเงินชดเชยคืนสำหรับความเสียหายรุนแรงและเงินชดเชยสำหรับความสูญเสียและความเสียหายที่คาดการณ์ได้อย่างมีเหตุผล คุณยังคงมีสิทธิ์ที่จะซ่อมแซมสินค้าหรือเปลี่ยน หาก สินค้า ไม่ได้คุณภาพที่จะยอมรับได้ และความเสียหายที่ไม่รวมอยู่ใน ความเสียหายหลัก สำหรับบริการตามการรับประกัน ให้ค้นหาตัวแทนจำหน่ายให้บริการที่ได้รับอนุญาตที่ใกล้ที่สุด ในแผนที่สถานที่ตั้งตัวแทนจำหน่ายของเราที่ BRIGGSandSTRATTON.COM, หรือโทร 1300 274 447 หรือโดยการส่งอีเมลหรือเขียนถึง salesenquiries@briggsandstratton.com.au, Briggs & Stratton Australia Pty Ltd, 1 Moorebank Avenue, Moorebank, NSW , Australia, 2170

ระยะเวลาของการรับประกันเริ่มต้นตั้งแต่วันที่ ผู้บริโภคขายหรือผู้บริโภคในเชิงพาณิชย์รายแรกสั่งซื้อสินค้า "การใช้งานของผู้บริโภค" หมายถึง การใช้งานในครัวเรือนโดยผู้ใช้รายย่อย "การใช้งานเชิงพาณิชย์" หมายถึง การใช้อื่น ๆ รวมถึงการใช้เพื่อการพาณิชย์ รายได้จากการผลิตหรือเพื่อวัตถุประสงค์สำหรับเช่า เมื่ออุปกรณ์ถูกใช้ในเชิงพาณิชย์แล้ว จะ ถือว่ามีจุดประสงค์เพื่อการพาณิชย์ในการรับประกันนี้

เก็บรักษา ใบเสร็จรับเงินการซื้อไว้เป็นหลักฐาน หากคุณ ไม่ให้หลักฐาน วันซื้อครั้งแรกเมื่อมีการร้องขอการรับประกัน วันที่มีการผลิตผลิตภัณฑ์ จะถูกใช้กำหนดระยะเวลาประกัน จำเป็นต้องลงทะเบียนผลิตภัณฑ์เพื่อรับบริการการรับประกันสำหรับผลิตภัณฑ์ Briggs & Stratton

เกี่ยวกับ การรับประกันของคุณ

การรับประกันแบบจำกัดครอบคลุมถึงวัสดุเครื่องยนต์ที่เกี่ยวข้องและ/หรือ ปัญหาที่มีการผลิตเท่านั้น และไม่มี การเปลี่ยนหรือคืนเงินของอุปกรณ์ ที่อาจมีการติดตั้งเข้ากับเครื่องยนต์ การบำรุงรักษาตามปกติ การเพิ่มประสิทธิภาพ การปรับเปลี่ยนหรือ การสึกหรอตามปกติจะไม่ได้รับการคุ้มครองภายใต้การรับประกัน

ระกันนี้ ในทำนองเดียวกัน การรับประกันนี้ไม่สามารถใช้ได้หากเครื่องยนต์ผ่านการแก้ไขหรือ ดัดแปลงหรือกำหนดหมายเลขเครื่องยนต์ถูกขีดฆ่าหรือถูกลบออก การรับประกันนี้ ไม่ครอบคลุมถึงความเสียหายของเครื่องยนต์ หรือปัญหาประสิทธิภาพการทำงานที่เกิดจาก:

1. ใช้ชิ้นส่วนที่ไม่ใช่ อะไหล่เดิมของ Briggs & Stratton
2. การทำงานเครื่องยนต์ที่มีน้ำมันหล่อลื่นไม่เพียงพอ ปั่นเบือนหรือน้ำมันหล่อลื่นเกรดไม่ถูกต้อง
3. การใช้น้ำมันเชื้อเพลิงที่ปนเปื้อนหรือ ตกค้าง น้ำมันเบนซินผสมเอทานอลที่มากกว่า 10% หรือการใช้ เชื้อเพลิงทางเลือก เช่น บีโตรเลียมเหลวหรือก๊าซธรรมชาติในเครื่องยนต์ไม่ได้ออกแบบ/ผลิตโดย Briggs & Stratton เพื่อการใช้งานกับ เชื้อเพลิงดังกล่าว
4. สิ่งสกปรกที่เข้าไปในเครื่องยนต์เพราะการบำรุงรักษาของอากาศที่ไม่เหมาะสมหรือการถอดประกอบใหม่
5. การใช้วัตถุที่มีใบมีดตัดของเครื่องตัดหญ้าแบบหมุน การติดตั้งที่ไม่ถูกต้องหรือ การหลวมของอะแดปเตอร์ใบมีด, ใบพัดหรืออุปกรณ์ที่ควบคู่ไปกับเพลลาข้อเหวี่ยง อื่น ๆ หรือความแน่นเกินไปของสายพานร่อนวี
6. ชิ้นส่วนหรือการประกอบที่เกี่ยวข้องเช่น คลัทช์ การขับเคลื่อน ตัวควบคุมอุปกรณ์ และอื่น ๆ ที่ไม่ได้จัดจำหน่ายโดย Briggs & Stratton
7. ความร้อนสูงเกินไปเนื่องจากการตัดหญ้าและเศษสิ่งสกปรกหรือหิน ที่ติดอยู่หรืออุดตันครีระบายความร้อนที่ล้อช่วยแรงหรือโดยการทำงานของ เครื่องยนต์ที่ไม่มีการระบายอากาศที่เพียงพอ
8. การสิ้นเปลืองมากเกินไปเนื่องจากภาระเร่งรอบ การติดตั้งเครื่องยนต์หลวม ใบมีด-เครื่องตัดหรือ ใบพัดหลวมหรือไม่สมดุล หรือการเข้าคู่ที่ไม่เหมาะสมของชิ้นส่วน อุปกรณ์สำหรับเพลลาข้อเหวี่ยง
9. การใช้ผิดวัตถุประสงค์ การขาดการบำรุงรักษาตามปกติ การจัดส่ง การจัดการหรือ การเก็บของอุปกรณ์หรือการติดตั้งเครื่องยนต์ ที่ไม่เหมาะสม

รับบริการ การรับประกันได้จากผู้แทนจำหน่ายอย่างเป็นทางการของ Briggs & Stratton ระบุตำแหน่งตัวแทนจำหน่ายให้บริการที่ใกล้ที่สุดใน แผนที่สถานที่ตั้งตัวแทนจำหน่ายของเราที่ BRIGGSandSTRATTON.COM หรือโทร 1-800-233-3723 (ในประเทศสหรัฐอเมริกา)

80004537 (Rev. C)

Tài liệu hướng dẫn này có thông tin an toàn để bạn biết về các nguy cơ liên quan đến động cơ và cách tránh các nguy cơ đó. Tài liệu này cũng bao gồm các hướng dẫn để sử dụng và bảo dưỡng động cơ đúng cách. Do Tập đoàn Briggs & Stratton không biết trước động cơ sẽ được lắp cho thiết bị nào, vì vậy điều quan trọng là bạn phải đọc và hiểu các hướng dẫn này và các hướng dẫn cho thiết bị. **Lưu lại các hướng dẫn ban đầu để tham khảo sau này.**

Ghi chú: Các hình và minh họa trong tài liệu này được cung cấp chỉ mang tính chất tham khảo và có thể khác so với model cụ thể của bạn. Liên hệ với nhà cung cấp nếu bạn có thắc mắc.

Để được cung cấp các bộ phận thay thế hoặc hỗ trợ kỹ thuật, hãy lưu lại model động cơ bên dưới, loại và mã cùng với ngày mua. Các mã này được ghi trên động cơ của bạn (xem **Đặc điểm và Điều khiển**).

Ngày Mua hàng	
Model Động cơ – Loại – Cánh	
Số Seri Động cơ	

Tìm mã vạch 2D trên một số động cơ. Khi xem bằng thiết bị 2D, mã sẽ cho phép truy cập trang web của chúng tôi để bạn có thông tin hỗ trợ về sản phẩm này. Phí dữ liệu áp dụng. Một số nước có thể không có thông tin hỗ trợ trực tuyến.



Thông tin Tái chế

		Mọi bao bì, dầu và ắc quy đã qua sử dụng phải được tái chế theo các quy định áp dụng của chính phủ.
--	--	---

An toàn cho Người vận hành

Các Tự hiệu và Biểu tượng Cảnh báo An toàn

Biểu tượng cảnh báo an toàn được sử dụng để nhận dạng các thông tin an toàn về các nguy hiểm có thể gây thương tích cá nhân. Một tự hiệu (NGUY HIỂM, CẢNH BÁO, hoặc CẢN THẬN) được sử dụng cùng các biểu tượng cảnh báo để chỉ ra khả năng và mức độ thương tích nghiêm trọng có thể có. Ngoài ra, một biểu tượng cảnh báo nguy hiểm có thể được sử dụng để thể hiện loại nguy hiểm.

NGUY HIỂM chỉ ra một nguy hiểm mà nếu không tránh được, sẽ gây tử vong hoặc thương tích nghiêm trọng.

CẢNH BÁO chỉ ra một nguy hiểm mà nếu không tránh được, sẽ gây tử vong hoặc thương tích nghiêm trọng.

CẢN THẬN chỉ ra một nguy hiểm mà nếu không tránh được, sẽ gây thương tích nhẹ hoặc trung bình.

THÔNG BÁO chỉ ra một tình huống có thể gây hư hại đến sản phẩm.

Biểu tượng Nguy cơ và Ý nghĩa

Biểu tượng	Nghĩa	Biểu tượng	Nghĩa
	Thông tin an toàn về các nguy cơ có thể gây thương tích cho người.		Đọc và hiểu rõ Hướng dẫn Vận hành trước khi vận hành hoặc bảo dưỡng thiết bị.

Biểu tượng	Nghĩa	Biểu tượng	Nghĩa
	Nguy cơ hỏa hoạn		Nguy cơ phát nổ
	Nguy cơ bị giết		Nguy cơ khí độc hại
	Nguy cơ bề mặt nóng		Nguy cơ tiếng ồn – Khuyến cáo bảo vệ tai khi sử dụng rộng rãi.
	Nguy cơ vật bị bắn tung – Đeo kính bảo vệ mắt.		Nguy cơ phát nổ
	Nguy cơ bị lạnh công		Nguy cơ bị bật lại
	Nguy cơ bị đứt tay chân – các bộ phận di chuyển		Nguy cơ chất hóa học
	Nguy cơ nhiệt nóng		Ăn mòn

Các Thông điệp An toàn

CẢNH BÁO

Một số cấu kiện nhất định trong động cơ này và các phụ kiện của nó chứa các hoá chất đã được biết trong Tiểu bang California gây ra ung thư, dị tật bẩm sinh, hoặc nguy hại đến các cơ quan sinh sản khác. Rửa tay sau khi làm việc với động cơ này.

CẢNH BÁO

Khói thải từ động cơ này chứa các hoá chất đã được biết trong Tiểu bang California là gây ra ung thư, dị tật bẩm sinh, hoặc nguy hại đến các cơ quan sinh sản khác.

CẢNH BÁO

Động cơ Briggs & Stratton không được thiết kế cho và không được sử dụng để vận hành: xe đua fun-kart; xe đua go-kart; xe cho trẻ em, xe dã ngoại, xe thể thao trên mọi địa hình (ATV); xe máy; tàu đệm khí; máy bay; hoặc các phương tiện được sử dụng trong các cuộc đua xe không được Briggs & Stratton chấp thuận. Để biết thêm thông tin về các sản phẩm đua cạnh tranh, vui lòng truy cập www.briggsracing.com. Để sử dụng cho các xe địa hình dịch vụ đa năng và xe địa hình hai chỗ ngồi, vui lòng liên hệ Trung tâm Ứng dụng Động cơ Briggs & Stratton, qua số điện thoại 1-866-927-3349. Ứng dụng động cơ không phù hợp có thể gây thương tích nghiêm trọng hoặc tử vong.

CẢNH BÁO

Nhiên liệu và hơi nhiên liệu cực kỳ dễ cháy nổ.

Cháy hoặc nổ có thể gây bỏng nặng hoặc tử vong.

Khi thêm nhiên liệu

- Tắt động cơ máy phát điện và để nguội trong ít nhất 2 phút trước khi tháo nắp nhiên liệu.
- Đổ nhiên liệu vào bình khi ở ngoài trời hoặc trong khu vực thông gió tốt.
- Không đổ đầy tràn bình nhiên liệu. Dự phòng cho sự giãn nở của nhiên liệu, không đổ vượt quá đáy cổ bình nhiên liệu.

- Để nhiên liệu xa tia lửa, ngọn lửa mở, đèn hiệu sử dụng khí đốt, nguồn nhiệt và các nguồn bắt lửa khác.
- Thường xuyên kiểm tra ống dẫn nhiên liệu, bình chứa, nắp và các phụ kiện xem có nứt vỡ hoặc rò rỉ gì không. Thay thế nếu cần thiết.
- Nếu nhiên liệu bị vấy đổ, hãy đợi cho đến khi nó bay hơi trước khi khởi động động cơ.

Khi Khởi động Động cơ

- Đảm bảo rằng bugi, ống xả, nắp bình nhiên liệu và bộ lọc khí (nếu có) ở đúng vị trí và được lắp chắc chắn.
- Không quay cần khởi động động cơ khi không có bugi.
- Nếu động cơ bị ngập xăng, thiết lập van tiết lưu (nếu có) về vị trí MỎ/CHAY, di chuyển bướm ga (nếu có) về vị trí NHANH và quay cần cho đến khi động cơ khởi động.

Khi Vận hành Thiết bị

- Không gạt nghiêng động cơ hay thiết bị khiến nhiên liệu bị chảy ra.
- Không bít bộ chế hoà khí để dừng động cơ.
- Không bao giờ khởi động hoặc chạy động cơ khi đã tháo cụm bộ lọc khí (nếu được trang bị) hoặc bộ lọc khí (nếu được trang bị).

Khi Thay Dầu nhớt

- Nếu rút dầu nhớt từ ống châm dầu phía trên, thì bình chứa nhiên liệu phải cạn hết nếu không nhiên liệu có thể rò rỉ và dẫn đến hoả hoạn hoặc cháy nổ.

Khi Nghiêng Thiết bị để Bảo trì

- Khi thực hiện bảo trì mà cần phải lật nghiêng thiết bị, thì bình nhiên liệu, nếu lắp trên động cơ, phải cạn hết hoặc nhiên liệu có thể rò rỉ và dẫn đến hoả hoạn hoặc cháy nổ.

Khi Vận chuyển Thiết bị

- Vận chuyển với bề đầu RỖNG hoặc van nhiên liệu tắt ở vị trí ĐÓNG.

Khi Bảo quản Nhiên liệu Hoặc Thiết bị có Nhiên liệu trong Bình chứa

- Bảo quản xa các lò sưởi, bếp lò, máy nước nóng, máy sấy quần áo hay thiết bị khác có đèn chỉ báo hay nguồn bắt lửa khác do chúng có thể bắt lửa hơi nhiên liệu.



CẢNH BÁO

Khởi động động cơ tạo ra các tia lửa.

Tia lửa có thể bắt cháy các khí dễ cháy gần đó.

Hoả hoạn và cháy nổ có thể xảy ra.

- Nếu có khí đốt tự nhiên hoặc khí đốt loại LPG rò rỉ trong khu vực, không khởi động động cơ.
- Không sử dụng dung dịch khởi động tạo áp do hơi của nó là dễ cháy.



CẢNH BÁO

NGUY CƠ KHÍ ĐỘC. Khí thải động cơ có chứa mônôxít các bon, một loại khí độc có thể gây tử vong cho quý vị trong vài phút. Quý vị **KHÔNG THỂ** nhìn thấy, người thấy hoặc nếm được khí này. Thậm chí nếu quý vị không người thấy mùi khí thải, quý vị vẫn có thể đang tiếp xúc với khí mônôxít các bon. Nếu bạn bắt đầu cảm thấy khó chịu, chóng mặt hoặc mệt mỏi khi đang sử dụng sản phẩm này, hãy đi ra ngoài hít thở không khí trong lành **NGAY LẬP TỨC**. Hãy đi khám. Bạn có thể đã bị nhiễm độc ôxít các bon.

- **CHỈ** vận hành sản phẩm này bên ngoài, tránh xa cửa sổ, cửa chính và lỗ thông hơi để làm giảm rủi ro khí carbon monoxide tích tụ và có thể bị hút về không gian sống.
- Cài đặt chuông báo carbon monoxide chạy pin hoặc chuông báo carbon monoxide cài trong có pin dự phòng theo hướng dẫn của nhà sản xuất. Chuông báo khói không thể phát hiện khí carbon monoxide.
- **KHÔNG** vận hành sản phẩm này bên trong nhà, nhà để xe, tầng hầm, tầng lửng, nhà kho, hoặc các không gian bán kín ngay cả khi có sử dụng quạt hoặc cửa chính cửa sổ để thông khí. Carbon monoxide có thể nhanh chóng hình thành trong các không gian này và có thể tồn tại trong nhiều giờ, ngay cả khi đã tắt sản phẩm.
- **LUÔN** đặt sản phẩm này xuôi theo hướng gió và hướng ống xả động cơ ra xa khỏi không gian sống.



CẢNH BÁO

Dây khởi động rút ngược (lực kéo ngược đột ngột) rất nhanh, sẽ kéo bàn tay và cánh tay về phía động cơ nhanh hơn là quý vị có thể hình dung.

Có thể gây ra vỡ xương, nứt xương, thâm tím người hoặc tụ máu bầm.

- Khi khởi động động cơ, hãy kéo dây khởi động từ từ cho đến khi cảm thấy có lực cản rồi giật nhanh để tránh lực kéo ngược đột ngột.
- Cách ly tất cả các tải bên ngoài của thiết bị/động cơ trước khi khởi động động cơ.
- Các chi tiết lắp trực tiếp như là, nhưng không giới hạn trong các loại cánh công tác, cánh quạt, bánh đai, bánh xích, ... phải được lắp thật chặt.



CẢNH BÁO

Các chi tiết quay có thể tiếp xúc hoặc làm cuốn tay, chân, tóc, y phục, hoặc các đồ vật khác vào máy.

Có thể xảy ra thương tật bị cụt chi hoặc bị chém rách da nghiêm trọng.

- Vận hành thiết bị với các thiết bị che chắn được lắp đặt.
- Giữ tay và chân tránh xa các bộ phận chuyển động quay.
- Cột gọn tóc dài và tháo đồ trang sức ra.
- Không mặc các y phục rộng rãi, có các dải dây tua trang trí hoặc các đồ vật dễ bị quấn vào máy.



CẢNH BÁO

Động cơ chạy sinh ra hơi nóng. Các bộ phận của động cơ, đặc biệt là bộ phận ống xả, trở nên cực nóng.

Có thể xảy ra bỏng nhiệt nghiêm trọng khi tiếp xúc.

Các mảnh rác dễ cháy, như lá cây, cỏ, bụi v...v.. có thể bắt lửa.

- Để bộ phận ống xả, xy lanh động cơ và bộ tản nhiệt nguội trước khi chạm vào.
- Lấy các mảnh vụn tích tụ khỏi bộ phận ống xả và xy lanh.
- Quý vị sẽ vi phạm Luật Tài nguyên Công cộng Tiểu bang California, Phần 4442, nếu sử dụng hoặc vận hành động cơ trên nền đất có trồng rừng, trồng các bụi cây nhỏ, hoặc trồng cỏ, trừ khi hệ thống ống xả khói thải có trang bị một bộ khử tia lửa, như qui định trong Phần 4442, được giữ trong tình trạng hoạt động hiệu quả. Các tiểu bang khác hoặc các cơ quan lập pháp liên bang có thể có các luật tương tự. Hãy liên hệ với nhà sản xuất thiết bị gốc, nhà bán lẻ hay đại lý cung cấp để có được bộ chặn tia lửa được thiết kế cho hệ thống xả lắp đặt trên động cơ này.



CẢNH BÁO

Tia lửa vô tình có thể dẫn đến bỏng hoặc sốc điện.

Khởi động ngoài ý muốn có thể gây ra sự cố bị cuốn vào máy, cụt chi nghiêm trọng, hoặc chém rách da.

Nguy cơ hoả hoạn

Trước khi thực hiện việc điều chỉnh hoặc sửa chữa:

- Ngắt tiếp xúc với dây bugi và giữ xa khỏi bugi.
- Tháo cực âm bình ắc qui ra (chỉ đối với động cơ có khởi động điện).
- Chỉ sử dụng các dụng cụ phù hợp.
- Không can thiệp vào lò xo điều chỉnh, mắt xích hay các bộ phận khác để tăng tốc độ động cơ.
- Thiết bị thay thế phải giống và được lắp đặt ở cùng vị trí như bộ phận gốc. Các phụ tùng khác có thể không hoạt động đúng, cũng như có thể gây hư hỏng động cơ, và có thể gây ra thương tích.
- Không gõ vào bánh đà bằng búa hoặc vật cứng bởi vì sau đó bánh đà có thể bị bể trong quá trình hoạt động.

Khi kiểm tra đánh lửa:

- Hãy sử dụng thiết bị kiểm tra bugi được chấp thuận.
- Không kiểm tra tia lửa điện khi đã tháo bugi.

Các Tính năng và Điều khiển

Điều khiển Động cơ

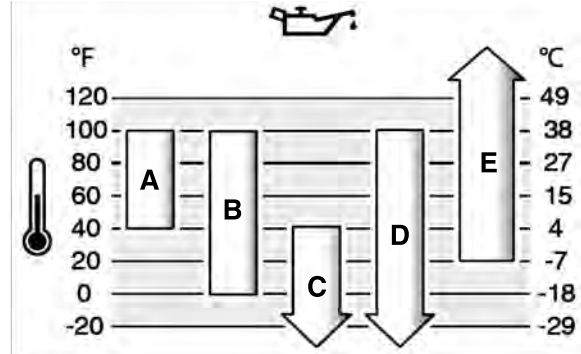
So sánh hình minh họa (Hình: 1, 2, 3,4) với động cơ của quý vị để làm quen với vị trí của các tính năng và điều khiển khác nhau.

- A. Mã số Nhận dạng Động cơ **Mẫu - Loại - Mã số**
- B. Bugi
- C. Bình chứa Nhiên liệu và Nắp đậy
- D. Lọc gió
- E. Tay cầm Cáp Khởi động
- F. Nạp Dầu và Que thăm
- G. Nút xả Dầu
- H. Ống bô, Tấm chắn Ống bô (nếu được trang bị), Bộ triệt Tia lửa (nếu được trang bị)
- I. Điều khiển bướm gió
- J. Bộ điều khiển Bướm ga (nếu được trang bị)
- K. TransportGuard™ - Cần Kích hoạt và Nhiên liệu
- L. Đường dẫn khí nạp
- M. Thay Bộ Giảm tốc (nếu được trang bị)
- N. Công tắc Dừng (nếu được trang bị)
- O. Công tắc Khởi động điện (nếu được trang bị)¹

¹ Một số động cơ và thiết bị có điều khiển từ xa. Xem hướng dẫn sử dụng thiết bị để biết vị trí và vận hành điều khiển từ xa.

Chúng tôi khuyến nghị sử dụng các loại dầu đã được Chứng nhận của Briggs & Stratton để có hiệu suất vận hành tốt nhất. Các loại dầu rửa chất lượng cao khác có thể được chấp nhận nếu được xếp loại dịch vụ SF, SG, SH, SJ hoặc cao hơn. Không sử dụng các chất phụ gia đặc biệt.

Nhiệt độ ngoài trời quyết định độ nhớt phù hợp của dầu cho động cơ. Sử dụng biểu đồ để chọn độ nhớt tốt nhất cho khoảng nhiệt độ ngoài trời dự kiến. Các động cơ trên hầu hết thiết bị ngoài trời chạy điện hoạt động tốt với dầu Tổng hợp 5W-30. Đối với thiết bị hoạt động ở nhiệt độ cao, dầu tổng hợp Vanguard™ 15W-50 cho khả năng bảo vệ tốt nhất.



A	SAE 30 - Dưới 4°C (40°F) nếu sử dụng dầu SAE 30 sẽ khiến máy khó khởi động.
B	10W-30 - Trên 27°C (80°F) nếu sử dụng dầu 10W30 có thể làm tăng mức tiêu thụ dầu. Kiểm tra mức dầu thường xuyên hơn.
C	5W-30
D	Dầu tổng hợp Synthetic 5W-30
E	Dầu tổng hợp Vanguard™ Synthetic 15W-50

Các Ký Hiệu Điều khiển Động cơ và Ý nghĩa

Ký hiệu	Ý nghĩa	Ký hiệu	Ý nghĩa
	Tốc độ động cơ - NHANH		Tốc độ động cơ - CHẬM
	Tốc độ động cơ - DỪNG		BẬT - TẮT
	Khởi động động cơ - ĐÓNG bướm gió		Khởi động động cơ - MỞ bướm gió
	Nắp bể dầu Ngắt nhiên liệu - MỞ		Ngắt nhiên liệu - ĐÓNG
	Mức nhiên liệu - Tối đa Không đổ quá đầy		

Vận hành

Khuyến nghị về Dầu

Dung Tích Dầu: Xem **Thông số Kỹ thuật**.

LƯU Ý

Động cơ này được giao từ nhà máy Briggs & Stratton không có nhớt bên trong. Nhà sản xuất hoặc phân phối thiết bị có thể đã tra dầu vào động cơ. Trước khi khởi động động cơ lần đầu, đảm bảo bạn đã kiểm tra mức dầu và đã thêm dầu theo hướng dẫn trong cuốn hướng dẫn này. Nếu bạn khởi động động cơ không có dầu nhớt, động cơ sẽ bị hư hỏng ngoài phạm vi sửa chữa và không được bảo hành.

Kiểm tra Mức Dầu

Xem Hình: 5

Trước khi thêm hoặc kiểm tra dầu

- Đảm bảo rằng động cơ cân bằng.
- Làm sạch khu vực đổ dầu không

1. Rút que nhúng ra (A, Hình 5) và lau bằng vải sạch.
2. Lắp que nhúng (A, Hình 5). **Không được xoay hoặc vận.**
3. Tháo que nhúng ra và kiểm tra mức dầu. Điều chỉnh mức dầu ở trên cùng bộ chỉ báo (B, Hình 5) trên que nhúng.
4. Nếu mức dầu thấp, từ từ thêm dầu vào trong thùng chứa dầu động cơ (C, Hình 5). Đổ đầy đến điểm tràn.
5. Lắp lại và vận chặt que nhúng (A, Hình 5).

Hệ thống Bảo vệ Dầu Thấp (nếu được trang bị)

Một số động cơ được trang bị cảm biến mức dầu thấp. Nếu mức dầu thấp, bộ cảm biến sẽ kích hoạt đèn báo sáng lên hoặc dừng động cơ. Dừng động cơ và làm theo các bước này trước khi khởi động lại động cơ.

- Đảm bảo rằng động cơ cân bằng.
- Kiểm tra mức dầu. Xem **Kiểm tra Mức Dầu**.
- Nếu mức dầu thấp, đổ thêm lượng dầu hợp lý. Khởi động động cơ và đảm bảo đèn cảnh báo (nếu được trang bị) không kích hoạt.
- Nếu mức dầu không thấp, không khởi động động cơ. Liên hệ với Nhà cung cấp Dịch vụ được Ủy quyền của Briggs & Stratton để được xử lý các vấn đề về dầu.

Khuyến cáo về nhiên liệu

Nhiên liệu phải đáp ứng các yêu cầu sau:

- Sạch, mới, không chứa chì.
- Tối thiểu 87 octane/87 AKI (91 RON). Đối với sử dụng cao độ cao, xem dưới đây.
- Dầu có tới 10% ethanol (gasohol) có thể chấp nhận được.

LƯU Ý Không sử dụng dầu không được phê chuẩn, như E15 và E85. Không trộn xăng và dầu hoặc điều chỉnh động cơ để chạy nhiên liệu thay thế. Việc sử dụng nhiên liệu không được phê chuẩn sẽ làm hỏng các bộ phận của động cơ, và sẽ không được hưởng bảo hành.

Để bảo vệ hệ thống nhiên liệu không bị hình thành các chất cặn, trộn chất ổn định nhiên liệu vào với nhiên liệu. Xem **Lưu trữ**. Không phải nhiên liệu nào cũng giống nhau. Nếu xảy ra vấn đề khi khởi động hoặc vận hành, thay nhà cung cấp nhiên liệu hoặc thay nhãn hiệu. Động cơ này được chứng nhận vận hành bằng dầu. Hệ thống kiểm soát khí thải cho động cơ là EM (Điều chỉnh Động cơ).

Cao độ Cao

Ở cao độ lớn hơn 5.000 feet (1524m), loại dầu tối thiểu 85 octan/85 AKI (89 RON) là có thể chấp nhận được.

Đối với động cơ pha các bon, cần điều chỉnh cao độ cao để duy trì hiệu suất hoạt động. Vận hành mà không điều chỉnh sẽ làm giảm hiệu suất hoạt động, tăng tiêu thụ nhiên liệu và tăng khí thải. Liên hệ với Nhà phân phối Dịch vụ được Ủy quyền của Briggs & Stratton để biết thông tin điều chỉnh cao độ. Không khuyến cáo vận hành của động cơ ở cao độ dưới 2.500 feet (762m) với mức điều chỉnh cao độ cao.

Đối với động cơ phun xăng điện tử (EFI), không cần điều chỉnh cao độ cao.

Thêm Nhiên liệu

Xem Hình: 6



CẢNH BÁO

Nhiên liệu và hơi bốc lên rất dễ bắt cháy và phát nổ.

Cháy nổ có thể làm bỏng nặng hoặc gây chết người.

Khí thêm nhiên liệu

- Tắt động cơ và để động cơ mát dần trong ít nhất 2 phút trước khi mở nắp thùng nhiên liệu.
 - Đổ thùng nhiên liệu ở ngoài trời hoặc tại các khu vực được thông gió tốt.
 - Không đổ đầy tràn bình nhiên liệu. Để tạo điều kiện cho việc giãn nở nhiên liệu, không đổ nhiên liệu đầy qua đáy cổ bình chứa.
 - Để nhiên liệu xa các nguồn tia lửa, ngọn lửa, đèn thử nghiệm, nhiệt và các nguồn có thể tạo tia lửa khác.
 - Thường xuyên kiểm tra các đường dẫn nhiên liệu, thùng chứa, nắp và các khuỷu nối để tránh hiện tượng nứt hoặc rò rỉ. Thay mới nếu cần.
 - Nếu nhiên liệu tràn ra, chờ đến khi bay hơi hết rồi mới được khởi động động cơ.
- Làm sạch khu vực nắp thùng nhiên liệu không dính bụi hoặc chất bẩn. Tháo nắp thùng nhiên liệu.
 - Đổ nhiên liệu vào bình (A, Hình 6) nhiên liệu. Để tạo điều kiện cho việc giãn nở nhiên liệu, không đổ nhiên liệu đầy qua đáy cổ bình chứa (B).
 - Lắp lại nắp bình.

Khởi động và Dừng Động cơ

Xem Hình: 7, 8

Khởi động Động cơ



CẢNH BÁO

Dây khởi động rút ngược (lực kéo ngược đột ngột) rất nhanh, sẽ kéo bàn tay và cánh tay về phía động cơ nhanh hơn là quý vị có thể hình dung.

Có thể gây ra vỡ xương, nứt xương, thâm tím người hoặc tụ máu bầm.

- Khi khởi động động cơ, hãy kéo dây khởi động từ từ cho đến khi cảm thấy có lực cản rồi giật nhanh để tránh lực kéo ngược đột ngột.



CẢNH BÁO

Nhiên liệu và hơi của nó là cực kỳ dễ cháy và dễ nổ.

Hoà hoãn hoặc cháy nổ có thể gây ra phỏng nặng hoặc tử vong.

Khí Khởi động Động cơ

- Đảm bảo bugi, bộ giảm âm, nắp bình nhiên liệu và lọc gió (nếu được trang bị) được lắp đặt đúng vị trí và chắc chắn.
- Không quay động cơ khi đã tháo bugi ra.
- Nếu động cơ bị ngập, di chuyển cần bướm gió (nếu có trang bị) đến vị trí MỞ hoặc CHẠY, điều chỉnh bộ Tiết lưu ga (nếu có trang bị) đến vị trí NHANH và quay cho tới khi động cơ nổ được.



CẢNH BÁO

NGUY CƠ KHÍ ĐỘC. Khí thải động cơ có chứa mônôxít các-bon, một loại khí độc có thể gây tử vong trong vài phút. **Bạn KHÔNG THỂ nhìn thấy, người thấy hay nếm được khí này. Thậm chí nếu bạn không ngửi thấy mùi khí thải, bạn vẫn có thể đang tiếp xúc với khí ôxít các bon.** Nếu quý vị bắt đầu cảm thấy khó chịu, chóng mặt hoặc mệt mỏi khi đang sử dụng động cơ này, hãy tắt máy và đi ra ngoài hít thở không khí trong lành **NGAY LẬP TỨC**. Đi khám bác sỹ. **Bạn có thể đã bị nhiễm độc ôxít các bon.**

- Chỉ vận hành động cơ này bên ngoài nhà, cách xa cửa sổ, cửa ra vào và các lỗ thông khí để giảm nguy cơ mônôxít các-bon tích tụ và có thể bị hút vào các khu vực có người ở.
- Lắp đặt bộ bảo động mônôxít các-bon chạy bằng pin hoặc bộ bảo động mônôxít các-bon gắn vào ổ cắm điện nguồn có pin dự phòng theo hướng dẫn của nhà sản xuất. Đầu bảo khí không thể phát hiện được khí mônôxít các-bon.
- KHÔNG** chạy động cơ này bên trong nhà, gara, tầng hầm, khoảng lửng, nhà kho hoặc các không gian khác có vách bao che kín một phần xung quanh, ngay cả nếu sử dụng quạt hoặc mở cửa sổ và cửa ra vào để thông gió. Mônôxít các bon có thể nhanh chóng tích tụ trong các không gian này và có thể tồn tại trong nhiều giờ, thậm chí sau khi đã tắt máy.
- LUÔN LUÔN** đặt sản phẩm này phía dưới chiều gió và quay đầu xả khói thải động cơ ra xa các không gian có người ở.

LƯU Ý Động cơ này được xuất xưởng từ Briggs & Stratton mà không có dầu nhớt. Trước khi khởi động động cơ, phải chắc chắn rằng quý vị đã bổ sung dầu theo các hướng dẫn trong sổ tay hướng dẫn này. Nếu quý vị khởi động động cơ không có dầu nhớt, động cơ sẽ bị hư hỏng ngoài phạm vi sửa chữa và không được bảo hành.

Ghi chú: Thiết bị có thể có điều khiển từ xa. Xem hướng dẫn sử dụng thiết bị để biết vị trí và vận hành điều khiển từ xa.

- Kiểm tra mức dầu động cơ. Xem phần **Kiểm tra mức dầu**.
- Phải ngắt toàn bộ các bộ điều khiển dẫn động thiết bị, nếu được trang bị.
- Đẩy cần kích hoạt hoặc nhiên liệu (A, Hình 7), nếu được trang bị, đến vị trí tắt.
- Đưa bộ điều khiển tiết lưu ga (B, Hình 7), nếu được trang bị, đến vị trí nhanh. Vận hành động cơ tại vị trí nhanh.
- Đưa điều khiển bướm gió (C, Hình 7, 8), đến vị trí đóng.

Ghi chú: Bướm gió thường không cần được dùng đến khi khởi động lại động cơ ở trạng thái nóng.

- Ấn công tắc dừng (E, Hình 8), nếu được trang bị, sang vị trí bật.
- Khởi động lại, nếu có trang bị:** Giữ chặt tay cầm khởi động (D, Hình 7, 8). Kéo dây khởi động từ từ cho đến khi cảm thấy có lực cản, sau đó giật nhanh.



CẢNH BÁO

Dây khởi động rút ngược (lực kéo ngược đột ngột) rất nhanh, sẽ kéo bàn tay và cánh tay về phía động cơ nhanh hơn là quý vị có thể làm được. Có thể gây ra vỡ xương, nứt xương, thâm tím người hoặc tụ máu bầm. Khi khởi động động cơ, hãy kéo dây khởi động từ từ cho đến khi cảm thấy có lực cản rồi giật nhanh để tránh lực kéo ngược đột ngột.

- Khởi động Điện, nếu có trang bị:** Bật công tắc khởi động điện (F, Hình 8) đến vị trí bật hoặc khởi động.

LƯU Ý Để kéo dài tuổi thọ của bộ khởi động, sử dụng chu kỳ khởi động ngắn (tối đa 5 giây). Đợi một phút giữa các chu kỳ khởi động.

- Khi động cơ nóng lên, đưa điều khiển bướm gió (C, Hình 7, 8) đến vị trí chạy.

Ghi chú: Nếu động cơ không khởi động sau khi thử lại nhiều lần, hãy liên hệ đại lý hoặc truy cập VanguardEngines.com hoặc gọi tới **1-800-999-9333** (tại Hoa Kỳ).

Dừng Động cơ



CẢNH BÁO

Nhiên liệu và hơi của nó là cực kỳ dễ cháy và dễ nổ.

Hoà hoãn hoặc cháy nổ có thể gây ra phỏng nặng hoặc tử vong.

- Không dùng bướm gió bít bộ chế hoà khí để dừng động cơ.

- Công tắc Dừng, nếu được trang bị:** Đưa công tắc dừng (A, Hình 8) đến vị trí dừng.

Cần kích hoạt và Nhiên liệu, nếu được trang bị: Đẩy cần kích hoạt/nhiên liệu (A, Hình 7) đến vị trí tắt.

2. **Khởi động Điện, nếu được trang bị:** Rút chìa khóa. Giữ chìa khóa ngoài tầm với của trẻ em.

Bảo dưỡng

LƯU Ý Nếu động cơ bị tắt trong quá trình bảo dưỡng, thùng chứa nhiên liệu (nếu được gắn vào động cơ) phải được hút cạn và bên có bugi phải đặt lên trên. Nếu thùng chứa nhiên liệu không được hút cạn và nếu động cơ bị tắt bất kỳ hướng nào, có thể sẽ rất khó khởi động do xăng hoặc dầu làm bẩn bộ lọc khí và/hoặc bugi.



CẢNH BÁO

Khi thực hiện bảo dưỡng cần bật thiết bị lại, thùng chứa nhiên liệu nếu được gắn trên động cơ phải được hút cạn nếu không nhiên liệu có thể rò rỉ và gây cháy nổ.

Chúng tôi khuyến cáo bạn nên gặp Nhà cung cấp Dịch vụ Được ủy quyền của Briggs & Stratton để tham khảo bảo dưỡng và bảo trì cho động cơ và các bộ phận của động cơ.

LƯU Ý All the components used to build this engine must remain in place for proper operation.



CẢNH BÁO



Tia lửa bắn không chủ ý có thể gây hỏa hoạn hoặc điện giật.

Khởi động không chủ ý có thể gây rắc rối, bị thương hoặc bị rách xước.

Nguy cơ hỏa hoạn

Trước khi tiến hành điều chỉnh hoặc sửa chữa:

- Ngắt kết nối dây đánh lửa và để cách xa khu vực đánh lửa.
- Ngắt kết nối ắc quy ở cực âm (chỉ các động cơ khởi động điện.)
- Chỉ được sử dụng đúng dụng cụ.
- Không được lẫn lộn lò xo chính, các đường liên kết hoặc các bộ phận khác làm tăng tốc động cơ.
- Các bộ phận thay thế phải cùng thiết kế và được lắp đặt cùng vị trí so với các bộ phận ban đầu. Các bộ phận khác có thể không vận hành, có thể gây hư hỏng cho thiết bị và dẫn đến thương tích.
- Không được dung búa hoặc vật cứng đập vào bánh lái vì bánh lái có thể bị vỡ trong quá trình vận hành.

Khi kiểm tra tia lửa:

- Sử dụng bộ kiểm tra tia lửa được duyệt.
- Không được kiểm tra tia lửa khi đã tháo bộ đánh lửa ra.

Dịch vụ Kiểm soát Khí thải

Bảo dưỡng, thay thế, sửa chữa các thiết bị kiểm soát khí thải và hệ thống có thể được thực hiện bởi bất kỳ cơ sở hoặc tư nhân sửa chữa động cơ. Tuy nhiên, để có được dịch vụ kiểm soát lượng khí thải "miễn phí", việc này phải được thực hiện bởi một đại lý ủy quyền của nhà máy. Xem các Báo cáo Kiểm soát Phát thải.

Chương trình Bảo dưỡng

5 Giờ Đầu tiên
<ul style="list-style-type: none">Thay dầu
8 giờ một lần hoặc Hàng ngày
<ul style="list-style-type: none">Kiểm tra mức dầu động cơLàm sạch khu vực xung quanh ống bô và điều khiểnLàm sạch đường dẫn khí nạp
25 Giờ Một lần hoặc Hàng năm
<ul style="list-style-type: none">Vệ sinh bộ lọc gió ¹Vệ sinh bộ lọc sơ cấp ¹
50 Giờ Một lần hoặc Hàng năm
<ul style="list-style-type: none">Thay dầu động cơBảo dưỡng hệ thống xả
100 Giờ Một lần

- Thay dầu giảm tốc (nếu được trang bị)

Hàng năm

- Thay bugi
- Thay bộ lọc khí
- Thay bộ lọc sơ cấp
- Bảo dưỡng hệ thống nhiên liệu
- Bảo dưỡng hệ thống làm mát ¹
- Kiểm tra thông thủy van ²

¹ Trong điều kiện bụi bặm hoặc khi có các sol khí, hãy vệ sinh thường xuyên hơn.

² Không yêu cầu trừ khi có các vấn đề về vận hành động cơ.

Bộ chế hòa khí và Tốc độ Động cơ

Không bao giờ được điều chỉnh bộ chế hòa khí hoặc tốc độ động cơ. Bộ chế hòa khí được thiết lập tại nhà máy để vận hành hiệu quả trong hầu hết các điều kiện. Không làm xáo trộn các lò xo, liên kết hoặc các bộ phận khác để thay đổi tốc độ động cơ. Nếu cần điều chỉnh, liên hệ với Nhà cung cấp Dịch vụ Ủy quyền của Briggs & Stratton để được cung cấp dịch vụ.

LƯU Ý Nhà sản xuất thiết bị quy định tốc độ tối đa cho động cơ khi lắp trên thiết bị. **Không vượt quá** tốc độ này. Nếu bạn không chắc chắn tốc độ tối đa của thiết bị là bao nhiêu, hay tốc độ động cơ được thiết lập ở nhà máy là bao nhiêu, hãy liên hệ với Nhà cung cấp Dịch vụ Ủy quyền của Briggs & Stratton để được hỗ trợ. Để vận hành thiết bị an toàn và phù hợp, tốc độ động cơ chỉ được phép điều chỉnh bởi kĩ thuật viên có trình độ.

Bugie Hoạt động

Xem Hình: 9

Kiểm tra khoảng trống (A, Hình 9) bằng thiết bị đo dây (B). Nếu cần, cài đặt lại khoảng trống. Lắp đặt và vận chuyển bugie đến mức mô men xoắn khuyến cáo. Để cài đặt khoảng trống hoặc mô men xoắn, xem **Thông số kĩ thuật**.

Ghi chú: Tại một số khu vực, luật địa phương quy định sử dụng bugie loại biến trở để cảnh báo tín hiệu đánh lửa. Nếu động cơ này ban đầu được trang bị loại bugie này, khi thay thế phải sử dụng loại tương tự.

Hệ thống Xả khí Hoạt động



CẢNH BÁO



Chạy động cơ sẽ sinh nhiệt. Các bộ phận động cơ, đặc biệt là ống bô sẽ cực kì nóng.

Khi tiếp xúc có thể gây bỏng nhiệt nặng.

Các mảnh vỡ gây cháy như lá, cỏ, chổi ... có thể bắt lửa.

- Đề ống bô, xi lanh và phần sườn động cơ nguội trước khi chạm vào.
- Loại bỏ các mảnh tích tụ ra khỏi khu vực ống bô và xi lanh.
- Sử dụng hoặc vận hành động cơ trong khu vực rừng, bụi cây hoặc cỏ là vi phạm Luật nguồn tài nguyên Công cộng California, Phần 4442, trừ khi trang bị hệ thống xả khí có bộ ngăn đánh điện theo quy định ở Phần 4442, và bảo dưỡng theo tiến trình làm việc hiệu quả. Các luật của liên bang hoặc của bang khác cũng có quy định tương tự. Liên hệ với nhà sản xuất thiết bị gốc, nhà bán lẻ hoặc phân phối để lấy bộ ngăn đánh lửa được thiết kế cho hệ thống xả được lắp trên động cơ này.

Loại bỏ các vật liệu tích tụ ra khỏi khu vực ống bô hoặc xi lanh. Kiểm tra xem ống bô có bị nứt, ăn mòn hay bị hư hại khác không. Tháo thiết bị ngăn đánh lửa, nếu được trang bị, và kiểm tra xem có bị hư hỏng hoặc tắc khí các-bon không. Nếu bị hư hỏng, lắp các bộ phận thay thế trước khi vận hành.



CẢNH BÁO

Các phụ tùng thay thế phải cùng thiết kế và được lắp đặt cùng hướng với các bộ phận ban đầu. Các bộ phận khác có thể sẽ không hoạt động, có thể làm hỏng thiết bị và có thể bị thương.

Thay Dầu Động cơ

Xem Hình: 10, 11

Dầu đã qua sử dụng là sản phẩm rác nguy hại và phải xả phù hợp. Không xả cùng với rác sinh hoạt. Kiểm tra với cơ quan chức năng địa phương, trung tâm dịch vụ hoặc nhà cung cấp để xả/tái sử dụng an toàn.

Hút Dầu

1. Khi đã tắt nhưng động cơ vẫn còn ấm, tháo dây bugi (D, Hình 10) và để cách xa bugi (E).
2. Lấy que thăm dầu ra (A, Hình 11).
3. Tháo ổ cắm hút cạn dầu (F, Hình 11). Xả hết dầu vào bình chứa được chấp thuận.

Ghi chú: Các ổ cắm hút dầu khác nhau (G, Hình 11) đều có thể lắp vào động cơ.

4. Sau khi đã rút hết dầu, lắp lại và vận hành ổ cắm hút dầu (F, Hình 11).

Thêm Dầu

- Đảm bảo rằng động cơ cân bằng.
- Làm sạch khu vực đổ dầu không để rác bẩn.
- Xem phần **Thông số Kỹ thuật** để biết dung tích dầu.

1. Lấy que thăm dầu ra (A, Hình 11) và lau bằng vải sạch.
2. Từ từ đổ dầu vào trong lỗ nạp dầu động cơ (C, Hình 11). Đổ đến điểm tràn.
3. Lắp que thăm dầu vào (A, Hình 11). **Không vận hoặc siết chặt.**
4. Tháo que thăm và kiểm tra mức dầu. Điều chỉnh mức dầu ở trên cùng bộ chỉ báo (B, Hình 11) trên que thăm dầu.
5. Lắp lại và siết chặt que thăm dầu (A, Hình 11).
6. Kết nối dây bugi (D, Hình 10) vào bugi (E).

Thay Dầu Giảm tốc

Xem Hình: 12, 13

6:1 Bộ giảm tốc (Hình 12)

Nếu động cơ được trang bị bộ giảm tốc 6:1, hãy bảo dưỡng bộ phận này như sau:

1. Tháo nút nạp dầu (A, Hình 12) và nút thăm dầu (B).
2. Tháo nút xả dầu (C, Hình 12) và xả dầu vào một bình chứa thích hợp.
3. Lắp lại và siết chặt nút xả dầu (C, Hình 12).
4. Để nạp dầu, từ từ đổ dầu bôi trơn bánh răng (xem phần **Thông số Kỹ thuật**) vào lỗ nạp dầu (D, Hình 12). Tiếp tục đổ cho đến khi dầu chảy ra khỏi lỗ thăm dầu (E).
5. Lắp lại và siết chặt que thăm dầu (B, Hình 12).
6. Lắp lại và siết chặt nút nạp dầu (A, Hình 12).

Ghi chú: Nút nạp dầu (A, Hình 12) có một lỗ thông khí (F) và phải được lắp trên đỉnh của nắp đậy hộp số như trong hình.

Bộ giảm tốc 2:1 (Hình 13)

Bộ giảm tốc 2:1 (G, Hình 13) không cần thay dầu.

Bảo dưỡng Lọc gió

Xem Hình: 14, 15, 16



Nhiên liệu và hơi của nó là cực kỳ dễ cháy và dễ nổ.

Hoà hoeren hoặc cháy nổ có thể gây ra phòng nặng hoặc tử vong.

- Không được khởi động và chạy động cơ khi bộ lọc làm sạch khí (nếu được trang bị) hoặc bộ lọc khí (nếu được trang bị) bị tháo ra.

LƯU Ý Không dùng khí tăng áp hoặc dung dịch để làm sạch bộ lọc. Khí tăng áp có thể làm hỏng bộ lọc và dung dịch sẽ làm tan bộ lọc.

Xem phần **Chương trình Bảo dưỡng** để biết các yêu cầu bảo dưỡng.

Các model khác nhau sẽ dùng bộ lọc bọt hoặc giấy. Một số model có thể có bộ làm sạch trước tùy chọn có thể rửa đi và tái sử dụng. So sánh hình ảnh minh họa trong tài liệu hướng dẫn này với loại được lắp trên động cơ của bạn và bảo dưỡng theo đó.

Lọc gió bằng Bọt xốp

1. Nới lỏng (các) chốt (A, Hình 14).
2. Tháo nắp (B, Hình 14).
3. Tháo chốt (D, Hình 14) và vòng đệm (E).
4. Để tránh mảnh vụn rơi vào bộ chế hòa khí, hãy cẩn thận tháo lõi lọc bằng bọt xốp (C, Hình 14) khỏi đế lọc gió (G).
5. Tháo nắp chụp đỡ (F, Hình 14) khỏi lõi lọc bằng bọt xốp (C).
6. Rửa sạch lõi lọc bằng bọt xốp (C, Hình 14) trong dung dịch tẩy rửa và nước. Vận khô lõi lọc bằng bọt xốp trong vải sạch.
7. Bão hòa lõi lọc bằng bọt xốp (C, Hình 14) bằng dầu động cơ sạch. Để loại bỏ lượng dầu động cơ thừa, vận sạch lõi lọc bằng bọt biển trong vải sạch.
8. Lắp nắp chụp đỡ (F, Hình 14) vào lõi lọc bằng bọt xốp (C).
9. Lắp lõi lọc bằng bọt xốp (C, Hình 14) vào đế lọc gió (G) và vào chốt (H). Đảm bảo rằng lõi lọc bằng bọt xốp được lắp đúng cách vào đế lọc gió và bắt chặt bằng vòng đệm (E) và chốt (D).
10. Lắp nắp chụp (B, Hình 14) và bắt chặt bằng chốt (A). Đảm bảo rằng (các) chốt phải chặt.

Lọc gió bằng Giấy

1. Nới lỏng (các) chốt (A, Hình 15).
2. Tháo nắp (B, Hình 15).
3. Tháo chốt (E, Hình 15).
4. Để tránh mảnh vụn rơi vào bộ chế hòa khí, hãy tháo bộ lọc sơ cấp cẩn thận (D, Hình 15), nếu được trang bị, và bộ lọc (C) ra khỏi đế lọc gió (F).
5. Để lấy mảnh vụn ra, gõ nhẹ vào bộ lọc (C, Hình 15) lên một bề mặt cứng. Nếu bộ lọc quá bẩn, phải thay bộ lọc mới.
6. Tháo bộ lọc sơ cấp (D, Hình 15), nếu được trang bị, ra khỏi bộ lọc (C).
7. Rửa sạch bộ lọc sơ cấp (D, Hình 15) trong dung dịch tẩy rửa và nước. Để bộ lọc sơ cấp khô hoàn toàn bằng khí. **Không** tra dầu cho bộ lọc sơ cấp.
8. Lắp ráp bộ lọc sơ cấp khô (D, Hình 15), nếu được trang bị, vào bộ lọc (C).
9. Lắp vòng đệm bịt kín (H, Hình 15), bộ lọc (C), và bộ lọc sơ cấp (D), nếu được trang bị, vào đế lọc gió (F) và vào chốt (G). Đảm bảo rằng bộ lọc được lắp đúng cách vào đế lọc gió và bắt chặt bằng chốt (E).
10. Lắp nắp vào (B, Hình 15) và vận hành bằng (các) chốt (A). Đảm bảo rằng (các) chốt phải chặt.

Lọc gió bằng Giấy

1. Nới lỏng (các) chốt (D, Hình 16).
2. Tháo nắp (A, Hình 16).
3. Tháo bộ lọc sơ cấp (C, Hình 16), nếu được trang bị, và bộ lọc (B).
4. Để lấy mảnh vụn ra, gõ nhẹ vào bộ lọc (B, Hình 16) lên một bề mặt cứng. Nếu bộ lọc quá bẩn, phải thay bộ lọc mới.
5. Rửa sạch bộ lọc sơ cấp (C, Hình 16), nếu được trang bị, trong dung dịch tẩy rửa và nước. Để bộ lọc sơ cấp khô hoàn toàn bằng khí. **Không** tra dầu cho bộ làm sạch sơ cấp.
6. Lắp bộ lọc sơ cấp khô (C, Hình 16), nếu được trang bị, và bộ lọc (B).
7. Lắp nắp vào (A, Hình 16) và vận hành bằng (các) chốt (D). Đảm bảo rằng (các) chốt phải chặt.

Bảo trì Hệ thống Nhiên liệu

Xem Hình: 17, 18



Nhiên liệu và hơi của nó là cực kỳ dễ cháy và dễ nổ.

Hoà hoeren hoặc cháy nổ có thể gây ra phòng nặng hoặc tử vong.

- Để nhiên liệu xa tia lửa, ngọn lửa mở, đèn hiệu sử dụng khí đốt, nguồn nhiệt và các nguồn bắt lửa khác.
- Thường xuyên kiểm tra ống dẫn nhiên liệu, bình chứa, nắp và các phụ kiện xem có nứt vỡ hoặc rò rỉ gì không. Thay thế nếu cần thiết.
- Trước khi vệ sinh hoặc thay thế bộ lọc nhiên liệu, xả cạn bình nhiên liệu hoặc đóng van khoá nhiên liệu lại.
- Nếu nhiên liệu bị vấy đổ, hãy đợi cho đến khi nó bay hơi hết trước khi khởi động động cơ.

- Thiết bị thay thế phải giống và được lắp đặt ở cùng vị trí như bộ phận gốc.

Bộ lọc Nhiên liệu, nếu có trang bị:

- Trước khi vệ sinh hoặc thay thế bộ lọc nhiên liệu (A, Hình 17), xả cạn bình nhiên liệu hoặc đóng van khoá nhiên liệu lại. Nếu không, nhiên liệu có thể rò rỉ và gây ra cháy nổ.
- Dùng kèm xiết các tai (B, Hình 17) trên kẹp (C), rồi trượt kẹp ra xa bộ lọc nhiên liệu (A). Xoắn và kéo ống nhiên liệu (D) ra khỏi bộ lọc nhiên liệu.
- Kiểm tra ống nhiên liệu (D, Hình 17) xem có nứt hay rò rỉ. Thay thế nếu cần thiết.
- Thay thế bộ lọc nhiên liệu (A, Hình 17) bằng bộ lọc nhiên liệu thay thế của thiết bị gốc.
- Cố định ống nhiên liệu (D, Hình 17) bằng kẹp (C) như trên hình.

Bộ lọc Nhiên liệu, nếu có trang bị

- Tháo nắp đầy bình nhiên liệu ra (A, Hình 18).
- Tháo nắp bộ lọc nhiên liệu ra (B, Hình 18).
- Nếu bộ lọc nhiên liệu bẩn, hãy vệ sinh hoặc thay thế nó. Nếu quý vị thay lưới lọc, hãy đảm bảo sử dụng lưới lọc thay thế của thiết bị gốc.

Hệ thống Làm mát Hoạt động



CẢNH BÁO

Động cơ chạy sinh nhiệt Các bộ phận của động cơ, đặc biệt là ống bô sẽ rất nóng

Nếu tiếp xúc có thể gây bỏng nhiệt nặng

Các vật liệu dễ cháy như lá, cỏ, cỏ dại ... có thể bắt lửa

- Để ống bô, xi lanh động cơ và phần cạnh bên nguội trước khi chạm vào.
- Loại bỏ các vật bẩn ra khỏi khu vực ống bô và xi lanh.

LƯU Ý Không dùng nước để làm sạch động cơ. Nước có thể làm nhiễm bẩn hệ thống nhiên liệu. Dùng chổi hoặc vải khô để làm sạch động cơ.

Đây là động cơ làm mát bằng khí. Chất bán có thể hạn chế lưu chuyển khí và làm cho động cơ bị quá nhiệt dẫn đến hiệu suất vận hành kém và giảm tuổi thọ động cơ.

- Sử dụng chổi hoặc giẻ khô để lau bụi bẩn trên đường hút khí.
- Giữ cho các phần kết nối, lò xo và điều khiển sạch sẽ.
- Giữ cho khu vực xung quanh và phía sau ống bô, nếu được trang bị sạch sẽ không bám bụi bẩn.
- Đảm bảo rằng tấm che bộ làm mát dầu, nếu được trang bị không bị bụi bẩn.

Sau một thời gian, bụi bẩn có thể tích tụ trong bộ phận làm mát xi lanh và làm cho động cơ quá nhiệt. Vật bẩn này không thể loại bỏ mà chỉ tháo một phần động cơ. Hãy để Nhà cung cấp Dịch vụ được Ủy quyền của Briggs & Stratton kiểm tra và làm sạch hệ thống làm mát bằng khí theo khuyến cáo trong **Chương trình Bảo dưỡng**.

Bảo quản



CẢNH BÁO

Nhiên liệu và hơi của nó cực kỳ dễ cháy nổ.

Cháy hoặc nổ có thể gây bỏng nặng hoặc tử vong.

Khi Bảo quản Nhiên liệu Hoặc Thiết bị có Nhiên liệu trong Bình chứa

- Bảo quản xa các lò sưởi, bếp lò, máy nước nóng, máy sấy quần áo hay thiết bị khác có đến chỉ báo hay nguồn bắt lửa khác do chúng có thể bắt lửa hơi nhiên liệu.

Hệ thống Nhiên liệu

Xem Hình: 19

Giữ động cơ ở vị trí thẳng bằng (vị trí vận hành thông thường). Đổ nhiên liệu vào bình (A, Hình 19). Để dự phòng sự giãn nở của nhiên liệu, không đổ vượt quá cổ bình nhiên liệu (B).

Nhiên liệu có thể bị biến chất khi được lưu trữ quá 30 ngày. Nhiên liệu biến chất gây ra tích tụ axit và gôm xăng trong hệ thống nhiên liệu hoặc trên các bộ phận chế hòa khí chính. Để giữ cho nhiên liệu sạch, sử dụng **Xử lý & Ổn định Nhiên liệu Công thức Tiên tiến**, có sẵn tại bất kỳ nơi nào bán phụ tùng chính hãng của Briggs & Stratton.

Không cần tháo xăng ra khỏi động cơ nếu cho chất ổn định nhiên liệu vào theo hướng dẫn. Chạy động cơ trong hai (2) phút để lưu thông chất ổn định trong toàn bộ hệ thống nhiên liệu trước khi bảo quản.

Nếu xăng trong động cơ không được xử lý bằng chất ổn định nhiên liệu thì cần phải tháo xăng vào một thùng chứa được chấp nhận. Chạy động cơ cho đến khi động cơ dừng lại do hết nhiên liệu. Khuyến khích sử dụng chất ổn định nhiên liệu trong thùng bảo quản để giữ cho xăng được mới.

Dầu động cơ

Khi động cơ vẫn còn ấm, thay dầu động cơ Xem phần **Thay Dầu Động Cơ**.

Xử lý Sự cố

Để được hỗ trợ, hãy liên hệ với đại lý tại địa phương của bạn hoặc truy cập **VanguardEngines.com** hoặc gọi **1-800-999-9333** (ở Hoa Kỳ).

Thông số Kỹ thuật

Mẫu: 130000	
Độ dịch chuyển	12.48 ci (205 cc)
Đường kính xy lanh	2.688 in (68,28 mm)
Thì	2.200 in (55,88 mm)
Dung tích Dầu	20 - 22 oz (.59 - .65 L)
Loại Dầu Giảm tốc	80W-90
Dung tích Dầu Giảm tốc	4 oz (.12 L)
Khe hở Bugi	.030 in (.76 mm)
Lực siết Bugi	180 lb-in (20 Nm)
Khe hở Phần ứng	.010 - .014 in (.25 - .36 mm)
Khe hở Xupáp Hút	.004 - .006 in (.10 - .15 mm)
Khe hở Xupáp Xả	.009 - .011 in (.23 - .28 mm)

Mẫu: 190000	
Độ dịch chuyển	18.63 ci (305 cc)
Đường kính xy lanh	3.120 in (79,24 mm)
Thì	2.438 in (61,93 mm)
Dung tích Dầu	26 - 28 oz (.77 - .83 L)
Loại Dầu Giảm tốc	SAE 30
Dung tích Dầu Giảm tốc	12 oz (.35 L)
Khe hở Bugi	.030 in (.76 mm)
Lực siết Bugi	180 lb-in (20 Nm)
Khe hở Phần ứng	.010 - .014 in (.25 - .36 mm)
Khe hở Xupáp Hút	.004 - .006 in (.10 - .15 mm)
Khe hở Xupáp Xả	.004 - .006 in (.10 - .15 mm)

Công suất động cơ sẽ giảm 3,5% khi ở mỗi độ cao 1.000 feet (300 mét) trên mực nước biển và 1% cho mỗi 10° F (5,6° C) trên 77° F (25° C). Động cơ vẫn vận hành tốt ở góc nghiêng lên tới 15°. Tham khảo hướng dẫn sử dụng các thiết bị cho phép giới hạn hoạt động an toàn trên các mặt dốc.

Phụ tùng Sửa chữa - Mẫu: 130000, 190000	
Phụ tùng Sửa chữa	Mã số Phụ tùng
Lọc gió bằng Bột xốp (Mẫu 130000, Hình 14)	797378
Lọc gió bằng Giấy (Mẫu 130000, Hình 15)	797033
Bộ làm sạch sơ cấp (Mẫu 130000, Hình 15)	798513
Lọc gió bằng Giấy (Mẫu 190000, Hình 15)	797032
Bộ làm sạch sơ cấp (Mẫu 190000, Hình 15)	798795
Lọc gió bằng Giấy (Hình 16)	474279
Bộ làm sạch sơ cấp (Hình 16)	491435S
Xử lý & Ổn định Nhiên liệu Công thức Tiên tiến	100117, 100120
Bugie có Điện trở trong	491055

Phụ tùng Sửa chữa - Mã: 130000, 190000	
Chìa vận Bugi	19576, 5402
Dụng cụ Kiểm tra Đánh lửa	19368

Chúng tôi khuyến cáo quý vị hãy để cho Đại lý Ủy quyền của Briggs & Stratton thực hiện mọi bảo trì và sửa chữa cho động cơ và các bộ phận của động cơ.

Định mức công suất: Tổng mức công suất cho model động cơ dầu cá nhân được ghi rõ trên nhãn theo SAE (Hiệp hội Kỹ sư Ô tô) mã J1940 Công suất Động cơ Nhỏ & Quy trình Định mức Mô men xoắn, và được định mức theo SAE J1995. Các giá trị mô men xoắn được lấy là 2600 vòng/phút đối với các động cơ có mức "vòng/phút" được ghi trên nhãn và 3060 vòng/phút cho các động cơ khác; các giá trị mã lực được lấy ở mức 3600 vòng/phút. Có thể tham khảo các đường biểu diễn tổng công suất tại www.BRIGGSandSTRATTON.COM. Các giá trị công suất ròng được lấy khi đã lắp đặt bộ làm sạch khí thải và khí trong khí các giá trị công suất tổng được tính mà không có kèm các thiết bị đó. Công suất động cơ tổng thực tế sẽ cao hơn mức công suất động cơ ròng và bị tác động bởi một trong các yếu tố là điều kiện vận hành xung quanh và sự thay đổi tùy từng động cơ. Giả sử đối với nhiều sản phẩm được lắp các động cơ, động cơ chạy dầu có thể không có công suất tổng định mức khi sử dụng trong một thiết bị công suất cho trước. Sự khác nhau này là do nhiều yếu tố, bao gồm nhưng không giới hạn ở sự thay đổi các bộ phận động cơ (làm sạch khí, khí thải, sạc, làm mát, bộ chế hòa khí, bơm nhiên liệu, v.v.) các hạn chế về ứng dụng, điều kiện vận hành xung quanh (nhiệt độ, độ ẩm, độ cao), và sự khác nhau giữa các động cơ. Do hạn chế khi sản xuất và công suất, Briggs & Stratton có thể cung cấp bù một động cơ có công suất định mức cao hơn động cơ này.

Bảo hành

Bảo Hành Động Cơ Briggs & Stratton

Có hiệu lực từ tháng 1 năm 2017

Bảo Hành Giới Hạn

Briggs & Stratton bảo đảm rằng, trong thời gian bảo hành quy định dưới đây, công ty sẽ sửa chữa hoặc thay thế miễn phí mọi chi tiết bị lỗi về vật liệu hoặc kỹ thuật sản xuất hoặc cả hai. Người mua chịu chi phí vận chuyển thiết bị gửi đi sửa chữa hoặc thay thế theo chính sách bảo hành này. Bảo hành này có hiệu lực trong khoảng thời gian và theo các điều kiện nêu dưới đây. Để thực hiện dịch vụ bảo hành, vui lòng tìm Đại lý Dịch vụ Ủy quyền gần nhất trên bản đồ định vị đại lý của chúng tôi tại BRIGGSandSTRATTON.com. Người mua phải liên hệ với Đại lý Dịch vụ Ủy quyền và sau đó đưa thiết bị đến Đại lý Dịch vụ được Ủy quyền để được kiểm tra.

Chúng tôi không có chính sách bảo hành công khai nào khác. Bảo hành ngầm định, bao gồm tính thương mại của sản phẩm và sự phù hợp với một mục đích cụ thể bị giới hạn về thời gian bảo hành được nêu dưới đây hoặc trong phạm vi luật pháp cho phép. Trách nhiệm đối với thiệt hại ngẫu nhiên hoặc do hậu quả được loại trừ ở mức độ được pháp luật cho phép. Một số tiểu bang hoặc quốc gia không cho phép các giới hạn về thời gian bảo hành ngụ ý và một số tiểu bang hoặc quốc gia không cho phép loại trừ hoặc giới hạn các thiệt hại ngẫu nhiên hoặc do hậu quả, do đó các giới hạn và loại trừ trên có thể không áp dụng đối với quý vị. Bảo hành này trao cho quý vị quyền pháp lý cụ thể và quý vị có thể có các quyền khác tùy theo tiểu bang và quốc gia.

Thời hạn Bảo hành Tiêu chuẩn 1, 2, 3

Nhãn hiệu / Tên Sản phẩm	Sử dụng cho tiêu dùng	Sử Dụng Mang Tính Thương Mại
Vanguard™; Sê ri Thương mại	36 tháng	36 tháng
Động cơ Dura-Bore™ Mãng sông bằng thép đúc	24 tháng	12 tháng
Tất cả các Động cơ Khác	24 tháng	3 tháng

¹ Đây là những điều khoản bảo hành tiêu chuẩn của chúng tôi, tuy nhiên, đôi khi có thể áp dụng bảo hành bổ sung không được xác định tại thời điểm công bố. Để biết thêm thông tin về thời hạn bảo hành hiện tại cho động cơ của quý vị, vui lòng truy cập BRIGGSandSTRATTON.COM hoặc liên hệ với Đại lý Dịch vụ được Ủy quyền của Briggs & Stratton.

² Không áp dụng bảo hành cho các động cơ vốn để sử dụng cho các thiết bị dùng làm nguồn điện chính cho các tiện ích hay máy phát điện dự phòng lại được sử dụng cho mục đích thương mại. Động cơ được sử dụng trong các cuộc đua hoặc trên các tuyến đường thương mại hoặc cho thuê sẽ không được bảo hành.

³ Vanguard lắp đặt trên máy phát dự phòng: 24 tháng cho sử dụng cho người dùng, không bảo hành khi sử dụng thương mại. Vanguard được lắp đặt cho các xe dịch vụ đa năng: 24 tháng cho sử dụng cho người dùng, 24 tháng sử dụng thương mại. Sê ri thương mại với ngày sản xuất trước tháng 7 năm 2017, 24 tháng sử dụng tiêu dùng, 24 tháng sử dụng thương mại.

⁴ Tại Úc - Các mặt hàng của chúng tôi được đảm bảo không loại trừ theo Luật Người tiêu dùng Úc. Quý vị có quyền được thay thế hoặc được hoàn lại tiền nếu thiết bị có hỏng hóc lớn và được bồi thường cho mọi tổn thất hoặc hư hại có thể dự đoán một cách hợp lý khác. Quý vị cũng có quyền được sửa chữa hoặc thay thế sản phẩm nếu sản phẩm không đạt chất lượng chấp nhận được và hỏng hóc không lớn. Đối với dịch vụ bảo hành, tìm Đại lý Dịch vụ được Ủy quyền trên bản đồ định vị đại lý của chúng tôi tại BRIGGSandSTRATTON.COM, hoặc gọi 1300 274 447, hoặc gửi

email hoặc văn bản tới salesenquiries@briggsandstratton.com.au, Briggs & Stratton Australia Pty Ltd, 1 Moorebank Avenue, Moorebank, NSW, Australia, 2170.

Thời hạn bảo hành bắt đầu từ ngày mua hàng từ người bán lẻ đầu tiên hoặc người sử dụng thương mại đầu tiên. "Sử dụng cho tiêu dùng" có nghĩa là một người tiêu dùng bán lẻ sử dụng cho hộ gia đình dân cư cá nhân. "Sử dụng thương mại" là tất cả các ứng dụng khác, bao gồm sử dụng cho thương mại, sản xuất hoặc các mục đích cho thuê. Khi thiết bị đã được sử dụng cho mục đích thương mại thì thiết bị đó sau này sẽ vẫn được coi là sử dụng cho thương mại đối với các mục đích của bảo hành này.

Vui lòng lưu giữ chứng từ mua hàng của quý vị. Nếu quý vị không cung cấp được chứng từ mua hàng để xác nhận ngày mua hàng đầu tiên làm căn cứ bảo hành dịch vụ theo yêu cầu, ngày sản xuất của thiết bị sẽ được sử dụng để xác định thời gian bảo hành. Việc đăng ký thiết bị không bắt buộc phải có dịch vụ bảo hành trên các thiết bị Briggs & Stratton products.

Về Dịch Vụ Bảo Hành Cho Quý vị

Bảo hành giới hạn này chỉ bảo hành cho các vấn đề về nguyên vật liệu liên quan tới động cơ và/hoặc các vấn đề về tay nghề sản xuất và không bao gồm việc thay thế hoặc hoàn trả thiết bị sử dụng động cơ đó. Bảo dưỡng định kỳ, hiệu chỉnh, điều chỉnh, hoặc hao mòn thông thường không bao gồm trong bảo hành này. Tương tự như vậy, bảo hành không áp dụng nếu động cơ đã bị thay đổi hoặc sửa đổi hoặc nếu số seri động cơ đã bị tẩy xóa hoặc gỡ bỏ. Bảo hành này không bao gồm động cơ bị hư hỏng hoặc các vấn đề gây ra bởi:

- Sử dụng phụ tùng không phải phụ tùng của Briggs & Stratton;
- Vận hành động cơ không đủ dầu nhờn, dầu bị ô nhiễm, hoặc dầu không đúng chủng loại;
- Việc sử dụng nhiên liệu bị ô nhiễm hoặc cũ, xăng pha chế với ethanol lớn hơn 10%, hoặc sử dụng nhiên liệu thay thế như dầu mỡ hóa lỏng hoặc khí thiên nhiên trong động cơ mà ban đầu không được thiết kế/sản xuất bởi Briggs & Stratton để sử dụng các nhiên liệu đó;
- Bụi bẩn xâm nhập vào động cơ do bảo dưỡng bộ làm sạch khí hoặc lắp lại bộ làm sạch khí không đúng;
- Va lưới cắt của máy cắt vào một vật, lắp lỏng hoặc không đúng cách các lưới cắt, cánh bơm, hoặc các thiết bị trục khuỷu khác, hoặc vành đai thắt quá chặt;
- Kết hợp các bộ phận hoặc các cụm như bộ ly hợp, hộp số truyền động, bộ điều khiển thiết bị, v.v. không được cung cấp bởi Briggs & Stratton;
- Quá nóng do cắt cỏ, bụi bẩn và các mảnh vụn, hoặc tổ của loài gặm nhấm làm tắc nghẽn quạt làm mát hoặc khu vực bánh đà, hoặc do vận hành động cơ không đủ thông gió;
- Rung động quá mức do chạy quá tốc độ, lắp động cơ lỏng, lưới cắt hoặc bánh đà bị lỏng hoặc không cân bằng, hoặc khớp nối không đúng cách các bộ phận thiết bị với trục khuỷu;
- Sử dụng sai, thiếu bảo dưỡng định kỳ, vận chuyển, xử lý, hoặc lưu kho thiết bị, hoặc lắp đặt động cơ không đúng.

Dịch vụ bảo hành chỉ có tại các Đại lý Dịch vụ Ủy quyền của Briggs & Stratton. Xác định vị trí Nhà phân phối Dịch vụ Ủy quyền gần nhất của quý vị trên bản đồ định vị đại lý tại BRIGGSandSTRATTON.COM hoặc gọi 1-800-233-3723 (tại Mỹ).

80004537 (Rev.C)

本手册包含安全信息，旨在令您意识到与发动机有关的危险和风险以及如何避免这些危险和风险。它还提供了关于发动机正确使用和保养的说明。由于百力通公司未必知道此发动机将为何种设备提供动力，因此您应该阅读和了解该说明书以及您所购买设备的说明书。保存这些原始说明书，以供未来参考之用。

注释：本手册中图示仅供参考的，可能与您的特定型号不同。如有疑问，请联系您的经销商。

如需更换部件或技术支持，请记录以下的发动机型号、类型、编号以及购买日期。这些数字位于您的发动机上（参见“功能与控制装置”章节）。

购买日期	
发动机型号 - 类型 - 选项	
发动机序列号	

查找位于某些发动机上的2维码。通过2维码设备查看时，该编码将让您能访问该产品支持信息的网站。数据率应用。某些国家可能不提供在线支持信息。



回收信息

		所有包装、用过的机油和电池应遵循适用的监管规定进行回收。
--	--	------------------------------

操作安全

安全警示符号和信号用语

安全警示符号 用于标识可能导致人员受伤的危险相关安全信息。信号用语（危险、警告或小心）配合警示符号使用，指示伤害的可能性和潜在严重程度。此外，危险符号可用于表示危险的类型。

危险表示如果不避免，将导致死亡或严重受伤的危险。

警告表示如果不避免，将可能导致死亡或严重受伤的危险。

小心表示如果不避免，将可能导致轻微或中等程度受伤的危险。

注意表示可能造成产品损坏的情况。

危险符号和含义

符号	含义	符号	含义
	可致人身伤害的危险的安全信息。		操作或维修设备前，阅读并理解操作手册。
	火灾危险		爆炸危险
	触电危险		有毒烟雾危险
	热表面危险		噪音危险 - 长时间使用时建议使用护耳装置。

符号	含义	符号	含义
	抛物危险 - 佩戴护眼装置。		爆炸危险
	冻伤危险		回转危险
	截肢危险 - 移动部件		化学危险
	发热危险		腐蚀

安全及使用事项



警告

本产品中的某些组件及其相关附件包含加州已知的会引发癌症、出生缺陷或其它生殖危害的化学成分。接触后应洗手。



警告

本产品的发动机排放气体包含加州已知的会引发癌症、出生缺陷或其它生殖危害的化学成分。



警告

百力通发动机不意用于以下设备，且不可为以下设备提供动力：娱乐卡丁车、比赛卡丁车；儿童娱乐设施，或者全地形运动车辆（ATV）；摩托车；气垫船；飞机产品，或者任何百力通没有批准的竞赛活动所使用的车辆。关于竞赛用发动机产品的信息，请访问 www.briggsracing.com。如要用于公用设施和并排ATV，请联系百力通发动机应用中心，电话 1-866-927-3349。发动机使用场合不当可能导致严重人身伤害或死亡。



警告

汽油及其蒸汽极其易燃、易爆。

火灾或者爆炸可导致严重烧伤或死亡。

添加汽油时

- 关闭发动机，令发动机至少冷却2分钟，然后拆下汽油油箱盖。
- 在户外或者通风良好的区域为油箱加油。
- 切勿过度加满汽油油箱。考虑到汽油的膨胀，切勿使油位超过油箱颈部的下部。
- 汽油应远离火花、明火、常燃小火、热源以及其它火源。
- 经常检查汽油油管、油箱、油箱盖和配件是否存在裂缝或泄漏。在必要时更换。
- 如果汽油溅出，应等到蒸发后方可启动发动机。

启动发动机时

- 确保火花塞、消音器、油箱盖和空滤器（如果配备）已经到位并固定。
- 切勿在拆下火花塞的情况下拉动启动拉绳或者转动曲轴。
- 如果发动机闷油，将阻风门（如果配备）设置为 OPEN（打开）/ RUN（运行）位置，将油门控制杆（如果配备）打到 FAST（快速）位置，并拉动拉绳，直至发动机启动。

操作设备时

- 切勿过度倾斜发动机或设备，否则会导致燃油溢出。
- 切勿通过阻风杆来停止发动机。
- 切勿在拆下空滤器（如果配备）或者空滤芯（如果配备）的情况下启动或者运行发动机。

换机油时

- 如果要从顶部机油加油管放机油，必须清空汽油油箱，否则汽油可能泄漏并引发火灾或爆炸。

当倾斜装置进行维护时

- 当进行需要倾斜装置的维护工作时，必须清空固定到发动机上的汽油油箱，因为汽油可能泄漏并引发火灾或爆炸。

运输设备时

- 运输时汽油箱为空或汽油切断阀在关闭位置。

存放燃油或油箱中有燃油的设备时

- 远离炉、灶、热水器或其它有常燃小火的装置或其它火源，因为它们会点燃汽油蒸气。



警告

启动发动机会产生火花。

火花可能点燃附近的可燃气体。

可能引发爆炸和火灾。

- 如果所处区域有天然气或者液化石油气泄漏，切勿启动发动机。
- 切勿使用加压的启动液体，因为液体蒸气可燃。



警告

有毒气体危险。发动机尾气含有一氧化碳，这是一种可在数分钟内致命的有毒气体。切勿看、闻或尝一氧化碳。即使没有闻到排出的烟气，您仍然可能接触一氧化碳气体。如果您在使用本产品时开始感到恶心、头晕或虚弱，请立即到有新鲜空气的地方。请就医。您可能已经一氧化碳中毒了。

- 仅能在室外并远离窗户、门或通风口的地方操作本产品，减少一氧化碳积聚风险，避免潜在被吸入至有人区域。
- 根据制造商的说明书，安装带电池备份的电池驱动一氧化碳报警器或插件式一氧化碳报警器。烟雾报警器无法检测一氧化碳气体。
- 请勿在室内、车库、地下室、窄小空间、棚屋或其他部分封闭的空间内使用本产品，即使使用了风扇或打开了门和窗户进行通风也不行。一氧化碳可在这些区域快速积聚起来并停留数小时，即使本产品已经关闭了也如此。
- 始终将本产品放在下风位置，并让发动机排气口避开有人区域。



警告

启动拉绳的快速收缩（回弹）将会把手和胳膊拉向发动机，你甚至来不及挣脱。

这可能导致骨折、擦伤或者扭伤。

- 启动发动机时，慢慢拉启动拉绳，直至感到阻力，然后快拉，以避免反冲。
- 启动发动机之前，应断开所有外部设备/发动机负载。
- 直接耦合设备组件（包括但不限于叶片、叶轮、皮带轮、链轮）必须牢固连接。



警告

旋转部件可能触及或卷入手、脚、头发、衣服或饰品。

可能导致外伤性截肢或者严重割伤。

- 在保护装置就位的情况下操作设备。
- 手脚应远离旋转部件。
- 应系起长发，并取下珠宝首饰。
- 切勿穿着宽松衣服、悬垂的束带或者可能导致人被机器缚住的东西。



警告

运行的发动机产生热量。发动机部件，特别是消音器，会变得非常热。

接触时可能发生严重热灼伤。

可燃杂物，如树叶、草、刷子，可能引发火灾。

- 应在消音器、发动机汽缸和散热片冷却之后方可接触。

- 从消音器区域和汽缸区域除去累积的碎屑。
- 除非排气系统配有火花消除器（如《加州公共资源法规》第 4442 节的定义），并且以有效的工作顺序来维护，在任何森林、灌木或者草地覆盖区域使用使用或者操作发动机，即属违反《加州公共资源法规》（California Public Resource Code）第 4442 节。其它州或者联邦管辖区域可能有类似法律。要获得专为此发动机上安装的排放系统而设计的火花消除器，请联系原始设备制造商、零售商或者经销商。



警告

火花塞意外点火可能导致火灾或者触电。

意外启动可能导致卷入、外伤性截肢或者割破。

火灾危险

执行调整或者修理之前：

- 拔下火花塞导线，使其远离火花塞。
- 在负极端子处断开电池（仅对于配有电启动装置的发动机而言。）
- 仅使用合适的工具。
- 切勿乱动调速机构弹簧、连接部件或者其它零件来增加发动机速度。
- 更换零件必须与原始零件相同，并且必须安装在相同的位置。其它零件的工作效果可能不会一样好，可能损坏装置，还可能导致人身伤害。
- 切勿用锤子或硬物击打飞轮，因为这样做可能会导致飞轮在运行期间破碎。

测试点火时：

- 使用批准的火花塞测试仪。
- 切勿在拆下火花塞后检查点火。

功能和控制装置

发动机控制装置

将图（图：1, 2, 3, 4）与您的发动机进行对比，熟悉各种功能和控制装置的位置。

- 发动机标识号型号 - 类型 - 代码
- 火花塞
- 汽油油箱和盖子
- 空滤器
- 启动拉绳手柄
- 机油加油和机油油尺
- 机油放油塞
- 消音器，消音器护板（若配备），火花消除器（若配备）
- 阻风门控制装置
- 油门控制杆（若配备）
- TransportGuard™ - 汽油和点火杆
- 进气格栅
- 齿轮减速装置（若配备）
- 停机开关（若配备）
- 电子启动开关（若配备）¹

¹ 某些发动机和设备有遥控器。遥控器的位置和操作请参阅设备手册。

发动机控制符号和含义

符号	含义	符号	含义
	发动机速度 - 快速		发动机速度 - 慢速
	发动机速度 - 停止		开 - 关

符号	含义	符号	含义
	发动机启动 - 阻风门关		发动机启动 - 阻风门开
	油箱盖 汽油切断 - 打开		汽油切断 - 关闭
	汽油油位 - 最高 请勿加油过满		

操作

机油推荐

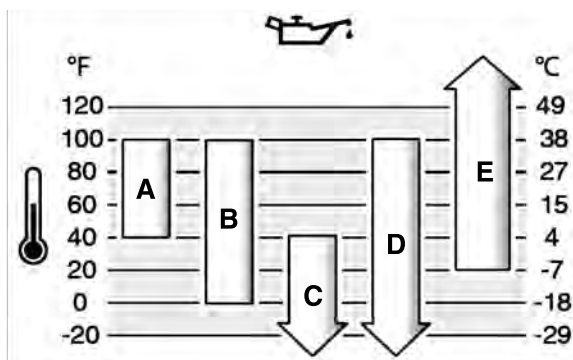
机油容量：请参见 **规格参数** 章节。

注意

本发动机从百力通发运时没有机油。设备制造商或经销商可能已向发动机中加入机油。首次启动发动机之前，应确保根据本手册的说明检查机油油位和加机油。如果您在不加机油的情况下启动发动机，则发动机可能会损坏且无法修复，这种情况不在保修范围之内。

为获得最佳性能，我们建议使用 Briggs & Stratton 保修认证机油。可以使用“符合 SF、SG、SH、SJ 级别”或更高级的优质清洗油。不要使用专门的添加剂。

户外温度决定了发动机应该使用何种粘度的机油。利用图表选择预计户外温度范围对应的最佳粘度。多数户外电力设备上的发动机都采用 5W-30 Synthetic 机油。对于在高温下运行的设备，Vanguard™ 15W-50 Synthetic 机油具有最佳的保护效果。



A	SAE 30 - 低于 40°F (4°C)，使用 SAE 30 将导致很难启动。
B	10W-30 - 高于 80°F (27°C)，使用 10W-30 将导致机油油耗增加。经常检查油位。
C	5W-30
D	Synthetic 5W-30
E	Vanguard™ Synthetic 15W-50

检查机油油位

参见图：5

添加或检查机油前

- 确保发动机水平。
- 清除机油注油区的碎屑。

1. 拆下机油油尺 (A，图 5) 并用干净的布擦拭。
2. 安装机油油尺 (A，图 5)。不要转动或拧紧。
3. 取下机油油尺并检查机油油位。正确的机油油位应位于机油油尺满指示 (B，图 5) 的顶部。
4. 如果机油油位过低，将机油慢慢加入发动机注油孔中 (C，图 5)。请勿溢出。
5. 重新安装并上紧机油油尺 (A，图 5)。

机油不足保护系统 (若配备)

某些发动机配有机油不足传感器。如果机油不足，传感器将启动告警灯或停止发动机。停止发动机，重启发动机前执行这些步骤。

- 确保发动机水平。
- 检查机油油位。参见“检查机油油位”章节。
- 如果机油油位过低，添加适量的机油。启动发动机，确保告警灯 (若配备) 没有启动。
- 如果机油油位不低，请勿启动发动机。请联系授权百力通经销商解决机油问题。

汽油推荐

汽油必须满足以下要求：

- 清洁、新鲜的无铅汽油。
- 最低87辛烷值/87 AKI (91 RON)。高海拔使用，参见以下。
- 允许乙醇含量不超过10%的汽油 (乙醇汽油)。

注意 不得使用未经批准的汽油，如E15和E85。不要将机油与汽油混合或改装发动机以运行替代汽油。使用未经批准的汽油将破坏发动机组件，这可能会丧失保修。

为防止汽油系统形成胶质，请在汽油中加入汽油稳定剂。参见**存放**。所有汽油都不是完全一样的。如果出现启动或性能故障，请更换汽油供应商或汽油品牌。该发动机认证使用汽油工作。该发动机的排放控制系统是EM (Engine Modifications)。

高海拔

在海拔超过5000英尺 (1524米) 的位置，应使用至少85号辛烷/85号AKI (89 RON) 汽油。

对于校准后的发动机，需要进行高海拔调整以保持其性能。在不进行此调整的情况下工作会导致性能下降、汽油消耗量增加，排放增加。有关高海拔调节信息，请咨询百力通授权服务中心。不建议将配有高海拔调整的发动机用于海拔2500英尺 (762米) 以下的位置。

对于电子燃油喷射 (EFI) 发动机，不需要高海拔调整。

添加汽油

参见图：6



警告
汽油及其蒸汽极其易燃、易爆。

火灾或者爆炸可导致严重烧伤或死亡。

添加汽油时

- 关闭发动机，令发动机至少冷却2分钟，然后拆下汽油油箱盖。
- 在户外或者通风良好的区域为油箱加油。
- 切勿溢出汽油油箱。考虑到汽油的膨胀，切勿使油位超过汽油油箱颈的底部。
- 汽油应远离火花、明火、常燃小火、热源以及其它火源。
- 经常检查汽油管、油箱、油箱盖和配件是否存在裂缝或泄漏。必要时更换。
- 如果汽油溅出，应等到蒸发后方可启动发动机。

1. 清除油箱盖区域的污垢和碎屑。拆下油箱盖。
2. 将汽油注入汽油箱 (A，图 6)。考虑到汽油的膨胀，切勿使油位超过油箱颈的底部 (B)。
3. 重新安装油箱盖。

启动和停止发动机

参见图：7, 8

启动发动机



警告
启动拉绳的快速收缩 (反转) 将会把手和手臂拉向发动机，你甚至来不及挣脱。

这可能导致骨折、擦伤或者扭伤。

- 启动发动机时，慢慢拉起启动拉绳，直至感到阻力，然后快拉，以避免反转。



警告
汽油及其蒸汽极其易燃、易爆。

火灾或者爆炸可导致严重烧伤或死亡。

启动发动机时

- 确保火花塞、消音器、汽油盖和空滤器（若配备）已经到位并固定。
- 切勿在拆下火花塞的情况下拉动启动拉绳或者转动曲轴。
- 如果发动机闷油，将阻风门（若配备）设置为OPEN（打开）或RUN（运行）位置，将油门控制杆（若配备）打到FAST（快速）位置，并拉动拉绳，直至发动机启动。



警告

有毒气体危险。发动机排出含有一氧化碳的气体，这是一种可在数分钟内致命的有毒气体。您不能看、闻、尝它。即使没有闻到排出的烟气，您仍然可能暴露在一氧化碳气体中。如果您在使用本产品时开始感到恶心、头晕或虚弱，请将其关闭并立即到有新鲜空气的地方。请就医。您可能已经一氧化碳中毒了。

- 仅能在室外并远离窗户、门或通风口的地方操作本产品，减少一氧化碳积聚风险，避免潜在吸入至有人区域。
- 根据制造商的说明书，安装带电池备份的电池驱动一氧化碳报警器或插件式一氧化碳报警器。烟雾报警器无法检测一氧化碳气体。
- 请勿在室内、车库、地下室、窄小空间、棚屋或其他部分封闭的空间内使用本产品，即使使用了风扇或打开了门和窗户进行通风也不行。一氧化碳可在这些区域快速积聚起来并停留数小时，即使本产品已经关闭了也如此。
- 总是将本产品放在下风位置，并让发动机排气口不要指向有人区域。

注意 本发动机从百力通发运时没有机油。启动发动机之前，应确保根据本手册的说明来加机油。如果您在不加机油的情况下启动发动机，则发动机会损坏且无法修复，这种情况不在保修范围之列。

注释：设备可能有遥控器。遥控器的位置和操作请参阅设备手册。

1. 检查发动机油。请参阅 **检查机油油位** 章节。
2. 确保设备驱动控制装置（若配备）已经脱离。
3. 将汽油或点火杆（A，图7）（若配备）打到开或启动位置。
4. 将油门控制杆（B，图7）（若配备）打到快速位置。在“快”位置操作发动机。
5. 将阻风门控制杆（C，图7,8）打到关闭位置。

注释：在热机状态下重新启动发动机时，通常没必要执行阻风操作。

6. 将停机开关（E，图8）（若配备）打到开位置。
7. **重绕启动（若配备）**：牢牢握住启动拉绳手柄（D，图7,8）。启动发动机时，慢慢拉启动拉绳，直至感到阻力，然后快拉。



警告

启动拉绳的快速收缩（反转）将会把手和胳膊拉向发动机，你甚至来不及挣脱。这可能导致骨折、擦伤或者扭伤。启动发动机时，慢慢拉启动拉绳，直至感到阻力，然后快拉，以避免反转。

8. **电启动（若配备）**：转动电启动开关（F，图8）至开或启动位置。

注意 为了延长启动器的寿命，使用短启动循环（最长5秒）。两次启动循环间等待1分钟。

9. 随着发动机的暖机，将阻风门控制杆（C，图7,8）移动到OPEN（打开）位置。

注释：如果在多次尝试后发动机没有启动，则联系当地经销商或访问 VanguardEngines.com 或致电 1-800-999-9333（美国）。

停止发动机



警告

汽油及其蒸气极其易燃、易爆。

火灾或者爆炸可导致严重烧伤或死亡。

- 切勿通过阻塞化油器来停止发动机。
1. **停机开关（若配备）**：将停机开关（E，图8）打到停止位置。
汽油和点火杆（若配备）：将汽油和点火杆（A，图7）打到关或停止位置。
 2. **电启动（若配备）**：取下钥匙。将钥匙保存这儿童触及不到的地方。

维护

注意 如果在维护期间需要倾斜发动机，则必须清空汽油油箱，并且必须将火花塞侧朝上。如果油箱没有清空并且发动机朝任何其它方向倾斜，则会导致机油或者汽油污染空滤器和/或火花塞，使发动机很难启动。



警告

当进行需要倾斜装置的维护工作时，必须清空汽油油箱（如果安装在发动机上），因为汽油可能泄漏并引发火灾或爆炸。

关于发动机和发动机零件的所有维护和修理，我们建议您咨询百力通授权的经销商。

注意 用于构成此发动机的所有组件必须保持处于正确运行位置。



警告

意外点火可能导致火灾或触电。

意外启动可能导致卷入、外伤性截肢或者割破。

火灾危险

执行调整或修理前：

- 拔下火花塞导线，使其远离火花塞。
- 在负极端子处断开电池（仅对于配有电启动装置的发动机而言。）
- 仅使用正确的工具。
- 切勿乱动调速机构弹簧、连接部件或者其他零件来增加发动机速度。
- 更换零件必须与原始零件采用相同的设计，并且必须安装在原来的位置。其它零件的工作效果可能不会一样好，可能损坏装置，还可能导致人身伤害。
- 切勿用锤子或硬物击打飞轮，因为这样做可能会导致飞轮在运行期间破碎。

测试火花塞时：

- 使用批准的火花塞测试仪。
- 切勿在拆下火花塞的情况下检查点火。

排放控制服务

排放控制设备和系统的维护、更换或修理可能会由任何路外的发动机修理机构或个人执行。但是，如要获取“免费”的排放控制服务，该工作必须由工厂授权的经销商执行。参见排放控制声明。

维护计划

头5个小时
<ul style="list-style-type: none">• 更换机油
每8个小时或每天
<ul style="list-style-type: none">• 检查发动机机油油位• 清洁消音器和控制装置周围的区域• 清洁进气格栅
每25个小时或每年
<ul style="list-style-type: none">• 清洁空滤芯¹• 清洁预滤器¹
每50个小时或每年
<ul style="list-style-type: none">• 更换机油• 维修排气系统
每100个小时
<ul style="list-style-type: none">• 更换齿轮减速机油（若配备）
每年
<ul style="list-style-type: none">• 更换火花塞• 更换空滤芯• 更换预滤器• 维修汽油系统• 维修冷却系统¹• 检查阀门间隙²

- ¹ 在多灰或者存在空中碎屑的情况下，应提高清洁频率。
² 不需要，除非注明了发动机性能问题。

化油器和发动机速度

严禁调节化油器和发动机速度。化油器在出厂时已设置为在大多数情况下高效运行。请勿改动调速器弹簧、连杆或其他部件来改变发动机速度。如果需要任何调节，请联系百力通授权服务经销商进行服务。

注意 设备制造商规定了在设备上安装的发动机的最大速度。请勿超过该速度。如果不确定设备最大速度，或不清楚出厂设置的发动机速度，请联系百力通授权服务经销商，获取帮助。为了安全和设备的正确操作，发动机速度的调节只能由有资质的维修技术人员进行。

维修火花塞

参见图：9

用线规（B）检查间隙（A，图9）。必要时重新设定间隙。采用建议的扭矩，安装并上紧火花塞。关于间隙设置或扭矩，请参见“规格”一节。

注释：在某些区域，当地法律要求使用电阻型火花塞来抑制点火信号。如果此发动机最初配备的是电阻型火花塞，在更换时应使用同种类型。

维修排气系统



警告

运行的发动机产生热量。发动机零件，特别是消音器，会变得特别热。

接触时可能发生严重热灼伤。

可燃杂物，如树叶、草、刷子，可能引发火灾。

- 应在消音器、发动机汽缸和散热片冷却之后方可接触。
- 从消音器区域和汽缸区域除去累积的碎屑。
- 除非排气系统配有火花消除器（如《加州公共资源法规》第4442节的定义），并且以有效的工作顺序来维护，在任何森林、灌木或者草地覆盖区域使用或者操作发动机，即属违反《加州公共资源法规》（California Public Resource Code）第4442节。其它州或者联邦管辖区域可能有类似法律。要获得专为此发动机上安装的排放系统而设计的火花消除器，请联系原始设备制造商、零售商或者经销商。

从消音器区域和汽缸区域除去累积的碎屑。检查消音器是否存在裂缝、腐蚀或其它损坏。拆下火花消除器（若配备），并检查是否存在损坏或破堵塞。如果发现损坏，操作之前应安装更换零件。



警告

更换零件必须与原始零件采用相同设计，并且必须安装在相同的位置。其它零件的工作效果可能不会一样好，可能损坏装置，还可能导致人身伤害。

更换机油

参见图：10, 11

用过的机油属于危险废物，必须妥善处理。切勿与生活垃圾一起丢弃。询问当地的主管机构、服务中心或者经销商是否有安全处理/回收设施。

放机油

1. 在发动机关闭但仍有余温时，断开火花塞导线（D，图10）并使其远离火花塞（E）。
2. 拆下机油油尺（A，图11）。
3. 拆下机油排放塞（F，图11）将机油排入批准的容器中。

注释：将各种机油排放塞（G，图11）安装到发动机中。

4. 机油排空后，安装并拧紧机油排放塞（F，图11）。

加机油

- 确保发动机水平。
- 清洁机油注油区域的任何碎屑。
- 有关机油油量，请参见“规格”章节。

1. 拆下机油油尺（A，图11）并用干净的布擦拭。

2. 将机油缓慢倒入发动机机油注入（C，图11）中。注至满溢点。
3. 安装机油油尺（A，图11）。请勿转动或拧紧。
4. 拆下机油油尺并检查机油油位。正确的机油油位应位于机油油尺满指示（B，图11）的顶部。
5. 重新安装并拧紧机油油尺（A，图11）。
6. 连接火花塞导线（D，图10）到火花塞（E）上。

更换齿轮减速机油

参见图：12, 13

6:1 齿轮减速（图12）

如果发动机配有6:1齿轮减速箱，执行以下维修：

1. 拆下机油注入塞（A，图12）和机油油位塞（B）。
2. 拆下机油排放塞（C，图12），将机油排入相应的容器中。
3. 重新安装机油排放塞（C，图12）。
4. 如要加油，将齿轮润滑油（参见“规格”章节）慢慢倒入机油注入孔（D，图12）中。连续倒油，直至机油到机油油位孔（E）。
5. 重新安装并拧紧机油油位塞（B，图12）。
6. 重新安装并拧紧机油注入塞（A，图12）。

注释：机油注入塞（A，图12）有一个通风孔（F），必须安装在齿轮箱盖的顶部，如图所示。

2:1 齿轮减速（图13）

2:1 齿轮减速箱（G，图13）不需要更换机油。

维修空滤芯

参见图：14, 15, 16



警告

汽油及其蒸气极其易燃、易爆。

火灾或者爆炸可导致严重烧伤或死亡。

- 切勿在拆下空滤器组件（如果配备）或者空滤芯（如果配备）的情况下启动或者运行发动机。

注意 切勿使用加压空气或溶剂来清洁滤芯。加压空气可损坏滤芯，而溶剂会溶解滤芯。

有关维修要求，请参见“维护计划”。

各种型号使用泡沫或纸质滤芯。某些型号也可能使用可冲洗或再用的选配预滤器。将手册中的图示与安装在发动机上的类型进行对比和维修，如下所示。

泡沫空滤芯

1. 松开扣件（A，图14）。
2. 拆下盖子（B，图14）。
3. 拆下扣件（D，图14）和垫片（E）。
4. 为防止碎屑落入化油器，小心从空滤芯底座（G）上拆下泡沫元件（C，图14）。
5. 从泡沫元件（C）上拆下支撑杯（F，图14）。
6. 用液体清洁剂和水冲洗泡沫元件（C，图14）。用干净的布挤干泡沫元件。
7. 将泡沫元件（C，图14）浸满干净的机油。如要除去多余的机油，用干净的布挤干泡沫元件。
8. 将支撑杯（F，图14）插入泡沫元件（C）。
9. 将泡沫元件（C，图14）安装到空滤芯底座（G）上并装在柱头（H）上。确保泡沫元件正确装在空滤芯底座上并用垫片（E）和扣件（D）紧固。
10. 安装盖子（B，图14）并用扣件（A）固定。确保扣件紧固。

纸质空滤芯

1. 松开扣件（A，图15）。
2. 拆下盖子（B，图15）。
3. 拆下扣件（E，图15）。
4. 为了防止碎屑落入化油器，小心拆下预滤器（D，图15）（若配备）和从空滤芯底座（F）上拆下滤芯（C）。

- 如要弄松碎屑，在硬质表面上轻敲滤芯（C，图15）。如果滤芯太脏，更换新滤芯。
- 从滤芯（C）上拆下预滤器（D，图15）（若配备）。
- 在液体清洁剂和水中冲洗预滤器（D，图15）。让预滤器完全风干。请勿在预滤器上涂机油。
- 将干式预滤器（D，图15）（若配备）装在滤芯（C）上。
- 将密封垫圈（H，图15）、滤芯（C）和预滤器（D）（若配备）安装到空滤芯底座（F）上并装在柱头（G）上。确保滤芯正确装在空滤芯底座上并用扣件（E）紧固。
- 安装盖子（B，图15）并用扣件（A）固定。确保扣件紧固。

纸质空滤芯

- 松开扣件（D，图16）。
- 拆下盖子（A，图16）。
- 拆下预滤器（C，图16）（若配备）和滤芯（B）。
- 如要弄松碎屑，在硬质表面上轻敲滤芯（B，图16）。如果滤芯太脏，更换新滤芯。
- 在液体清洁剂和水中冲洗预滤器（C，图16）（若配备）。让预滤器完全风干。请勿在预滤器上涂机油。
- 安装干式预滤器（C，图16）（若配备）和滤芯（B）。
- 安装盖子（A，图16）并用扣件（D）固定。确保扣件紧固。

维修冷却系统

参见图：17，18



警告
汽油及其蒸汽极其易燃、易爆。

火灾或者爆炸可导致严重烧伤或死亡。

- 汽油应远离火花、明火、常燃小火、热源以及其它火源。
- 经常检查汽油油管、油箱、油箱盖和配件是否存在裂缝或泄漏。在必要时更换。
- 清洁或者更换汽油滤芯之前，排空汽油油箱或者关闭汽油切断阀。
- 如果汽油溅出，应等到蒸发后方可启动发动机。
- 更换零件必须与原始零件相同，并且必须安装在相同的位置。

停机开关（若配备）：

- 清洁或者更换汽油滤芯之前（A，图17），排空汽油油箱或者关闭汽油切断阀。否则，汽油可能泄露，引起火灾或爆炸。
- 使用钳子挤压夹具(C)上的卡销（B，图17），然后将夹具滑离汽油滤芯(A)。扭曲并将油管(D)拉脱汽油滤芯。
- 检查油管（D，图17）有无破损或泄漏。在必要时更换。
- 用原装设备更换滤芯来更换汽油滤芯（A，图17）。
- 如图所示，用夹具(C)固定油管（D，图17）。

汽油过滤器（若配备）

- 拆下油箱盖（A，图18）。
- 拆下汽油过滤器（B，图18）。
- 如果汽油过滤器脏污，请清洁或更换。如果更换汽油过滤器，务必使用原装设备更换汽油过滤器。

维修冷却系统



警告
运行的发动机产生热量。发动机零件，特别是消音器，会变得特别热。

接触时可能发生严重热灼伤。

可燃杂物，如树叶、草、刷子，可能引发火灾。

- 应在消音器、发动机汽缸和散热器冷却之后方可接触。
- 从消音器区域和汽缸区域除去累积的碎屑。

注意 不要用水清洁发动机。水可能污染汽油系统。使用刷子或干布清洁发动机。

这是风冷式发动机。污垢或碎屑会限制空气流动，导致发动机过热，使得发动机性能下降、寿命降低。

- 使用刷子或干布清洁进气区域的碎屑。

- 保持连接、弹簧和控制器清洁。
- 保持消音器（若配备）的周围和后面区域无任何可燃性碎屑。
- 确保机油散热器片（若配备）无污垢和碎屑。

一定时间后，碎屑可能积聚在汽缸散热器片上，引起发动机过热。没有部分拆卸发动机的情况下是无法去除该碎屑的。建议按“维护计划”的要求由百力通授权经销商检查和清洁空气冷却系统。

存放



警告
汽油及其蒸汽极其易燃、易爆。

火灾或者爆炸可导致严重烧伤或死亡。

存放燃油或油箱中有燃油的设备时

- 远离炉、灶、热水器或者其它有常燃小火的装置或其它火源，因为它们会点燃汽油蒸气。

汽油系统

参见图：19

将发动机水平存放（正常操作位置）。向汽油油箱（A，图19）中加入汽油。考虑到汽油的膨胀，切勿使油位超过油箱颈部（B）。

当存放超过30天时汽油可能变得不新鲜。变质的汽油会导致汽油系统或重要化油器部件中形成酸和胶质沉积物。为了保持汽油新鲜，请使用Briggs & Stratton高级配方汽油调理与稳定剂，在出售Briggs & Stratton正品维修零件之处均可购买此产品。

如果根据说明添加了汽油稳定剂，则无需从发动机排放汽油。运行发动机两（2）分钟，使稳定剂在存放前经过整个汽油系统。

如果没有用汽油稳定剂来处理发动机中的汽油，则必须将汽油放出到批准的容器中。运行发动机，直至其缺油而停止。建议在存储容器中使用汽油稳定剂，使汽油保持新鲜。

发动机油

在机油还是温热时，更换发动机油。参见“更换发动机油”章节。

故障诊断与排除

如需帮助，则联系当地经销商或访问 VanguardEngines.com 或致电 1-800-999-9333（美国）。

规格参数

型号：130000	
排量	12.48 ci (205 cc)
缸径	2.688 in (68,28 mm)
行程	2.200 in (55,88 mm)
机油容量	20 - 22 oz (.59 - .65 L)
齿轮减速机油类型	80W-90
齿轮减速机油容量	4 oz (.12 L)
火花塞间隙	.030 in (.76 mm)
火花塞扭矩	180 lb-in (20 Nm)
磁电机间隙	.010 - .014 in (.25 - .36 mm)
进气阀间隙	.004 - .006 in (.10 - .15 mm)
排气阀间隙	.009 - .011 in (.23 - .28 mm)

型号：190000	
排量	18.63 ci (305 cc)
缸径	3.120 in (79,24 mm)
行程	2.438 in (61,93 mm)
机油容量	26 - 28 oz (.77 - .83 L)
齿轮减速机油类型	SAE 30
齿轮减速机油容量	12 oz (.35 L)

型号：190000	
火花塞间隙	.030 in (.76 mm)
火花塞扭矩	180 lb-in (20 Nm)
磁电机间隙	.010 - .014 in (.25 - .36 mm)
进气阀间隙	.004 - .006 in (.10 - .15 mm)
排气阀间隙	.004 - .006 in (.10 - .15 mm)

超过海平面每1000英尺（300米），发动机功率将减少3.5%；温度77°F（25°C）以上每增加10°F（5.6°C）减少1%。在倾斜角度15°以内操作发动机能取得满意的运行效果。有关在斜面上允许的安全操作限制，请参阅设备的操作手册。

服务部件 - 型号：130000, 190000	
服务部件	零件号
泡沫空滤芯（型号130000，图14）	797378
纸质空滤芯（型号130000，图15）	797033
预滤器（型号130000，图15）	798513
纸质空滤芯（型号190000，图15）	797032
预滤器（型号190000，图15）	798795
纸质空滤芯（图16）	474279
预滤器（图16）	491435S
高级配方汽油调理与稳定剂	100117, 100120
电阻火花塞	491055
火花塞扳手	19576, 5402
火花测试仪	19368

关于发动机和发动机零件的所有维护和修理，我们建议您咨询百力通授权经销商。

额定功率：每种汽油发动机型号的总额定功率是根据SAE（美国汽车工程师学会）法规J1940（《小型发动机功率和扭矩评定程序》）进行标注，根据SAE J1995进行评定的。扭矩值为发动机在2600 RPM转速下的值，其中“rpm”将在标签中标出进行解释，其余所有均为3060 RPM转速下得来的值；马力值来自3600 RPM转速。如需了解总功率曲线，请访问www.BRIGGSandSTRATTON.COM。净功率值是在安装了排气装置和空气净化器的情况下获取的，而总功率值则是在没有上述附件的情况下收集的。实际的发动机总功率将高于发动机净功率，而且实际总功率值受很多因素的影响，包括环境运行条件和每个发动机的个体差异。由于安装发动机产品种类的多样，汽油发动机在某个特定动力设备上使用时可能无法产生所标定的总功率。这种差异是由于很多因素造成的，其中包括但不限于：发动机部件的多样性（空气净化器、排气装置、输油装置、冷却装置、化油器、燃油泵等）；应用限制；环境运行条件（温度、湿度、海拔）以及每个发动机的个体差异。由于制造和产能方面的限制，百力通可能会用更高额定功率的发动机替代该发动机。

保修

百力通发动机保修

2017年1月生效

有限保修

百力通承诺在后文指定的保修期限内免费维修或更换存在工艺及/或材料方面缺陷的任何部件。对于根据本保修承诺送交维修或更换的产品，买方必须承担相关运输费用。本保修政策的适用期限和条件如下所述。如需保修服务，请访问BriggsandStratton.com，在我们的经销商定位地图中查找距离最近的授权服务经销商。买方必须联系授权服务经销商，然后提供产品以便授权服务经销商开展检查与测试。

没有任何其他明示保修承诺。默示保修承诺（包括关于适用性以及适用于某一特定目的之默示保修承诺）的有效期限如下所述或法律所允许的期限。根据法律所允许的免责限度免除关于附带或间接损害的责任。某些州/省或国家/地区不允许限定默示保修承诺的有效期限，而某些州/省或国家/地区不允许免除或限定附带或间接损害的相关责任，因此以上限定与免责条款于您可能不适用。本保修向您提供具体法律权利，您可能还拥有其它权利（因地区和 国家而异）⁴。

标准保修条款 1, 2, 3

品牌/产品类型	家用	商用
Vanguard™；商用系列	36个月	36个月
发动机特有 Dura-Bore™ 铸铁衬套	24个月	12个月
所有其它发动机	24个月	3个月

¹这些是我们的标准保修条款，但在本条款此次印刷之后，偶尔可能会有新增的额外保修服务。如需您发动机的最新保修条款清单，请访问BRIGGSandSTRATTON.COM或者联系您的百力通授权服务经销商。

²如果发动机被用于公用设施场所的主供电设备上或商用备用发电机上，则不享受保修。用于赛车或者商用或卡丁车赛道上的发动机也不在保修范围之内。

³安装在后备发电机上的 Vanguard：家用 24 个月保修，商用无保修。在有多用途车辆上安装的 Vanguard 先锋发动机：家用 24 个月保修，商用 24 个月保修。对于 2017 年 7 月之前生产的商用系列，家用 24 个月保修，商用 24 个月保修。

⁴在澳大利亚 - 我们货品的保修不排除澳大利亚消费者法。您有权获得产品更换服务或重大故障退款，对于任何其他可合理预见的损失或破坏有权获得赔偿。此外，如果产品质量未能达到让人可以接受的水平，并且未构成重大故障，您还有权获得产品维修或更换服务。如需保修服务，请访问百力通网站 BRIGGSandSTRATTON.COM，查看我们的经销商位置图中离您最近的授权服务经销商，或致电 1300 274 447，或发送电邮至 salesenquiries@briggsandstratton.com.au，或寄信至 Briggs & Stratton Australia Pty Ltd, 1 Moorebank Avenue, Moorebank, NSW, Australia, 2170。

保修期始于第一个零售消费者或者商业最终用户的原始购买日期。“家用”表示零售消费者在个人住宅使用产品。“商用”表示其他所有的产品使用情况，包括用于商业、创收或租赁等方面的意图。某产品一旦投入商用，那么对于本保修承诺，之后即应将该产品视为商用产品。

请留存您的购买凭证。申请保修服务之时如未提供最初购买日期凭证，则会利用产品的生产日期确定保修期限。获得百力通产品的保修服务不需要产品注册。

关于保修

本有限保修仅涵盖发动机相关的材料和/或工艺问题，不包括可能安装发动机的设备的更换或退款。本保修不包括日常维护、调节、调整或正常磨损。同样，如果发动机已经改变或改装过，或如果发动机序列号已经损毁或丢失，本保修也不适用。本保修不包括由以下原因造成的发动机损坏或性能故障：

1. 使用非百力通 原配件；
2. 在润滑油不足量、被污染或等级不正确的情况下操作发动机；
3. 使用被污染或不新鲜的燃油、含乙醇超过 10% 配方的汽油，或在使用该类燃油操作的发动机上使用非百力通原厂设计/制造的替代燃油（如液化石油气或天然气等）；
4. 由于空滤器 保养或重新装配不当，造成脏污进入发动机；
5. 旋转草坪机的刀片碰到物体，松脱或不正确地安装刀片适配头、叶轮、或其他曲轴接头设备，或过度拧紧皮带；
6. 并非由百力通提供的相关零件或部件（如离合器、变速箱、设备控制装置等）；
7. 由于草屑、脏污或碎屑、或巢穴堵塞住散热片或飞轮区域，或由于在没有足够通风的情况下操作发动机，而造成过热；
8. 由于速度过快、发动机安装不牢、刀片或叶轮不固定或不平衡、或到曲轴的设备组件的接头不正确，造成振动过大；
9. 滥用、缺乏日常保养、发运、搬运或仓储设备，或发动机 安装不正确。

只有百力通 授权服务经销商才能提供保修服务。请访问百力通网站 BRIGGSandSTRATTON.COM，查看我们的经销商位置图中离您最近的授权服务经销商，或者拨打服务热线 1-800-233-3723（美国境内）。

80004537（修订版本 C）



Not for
Reproduction