



# Parts Manual

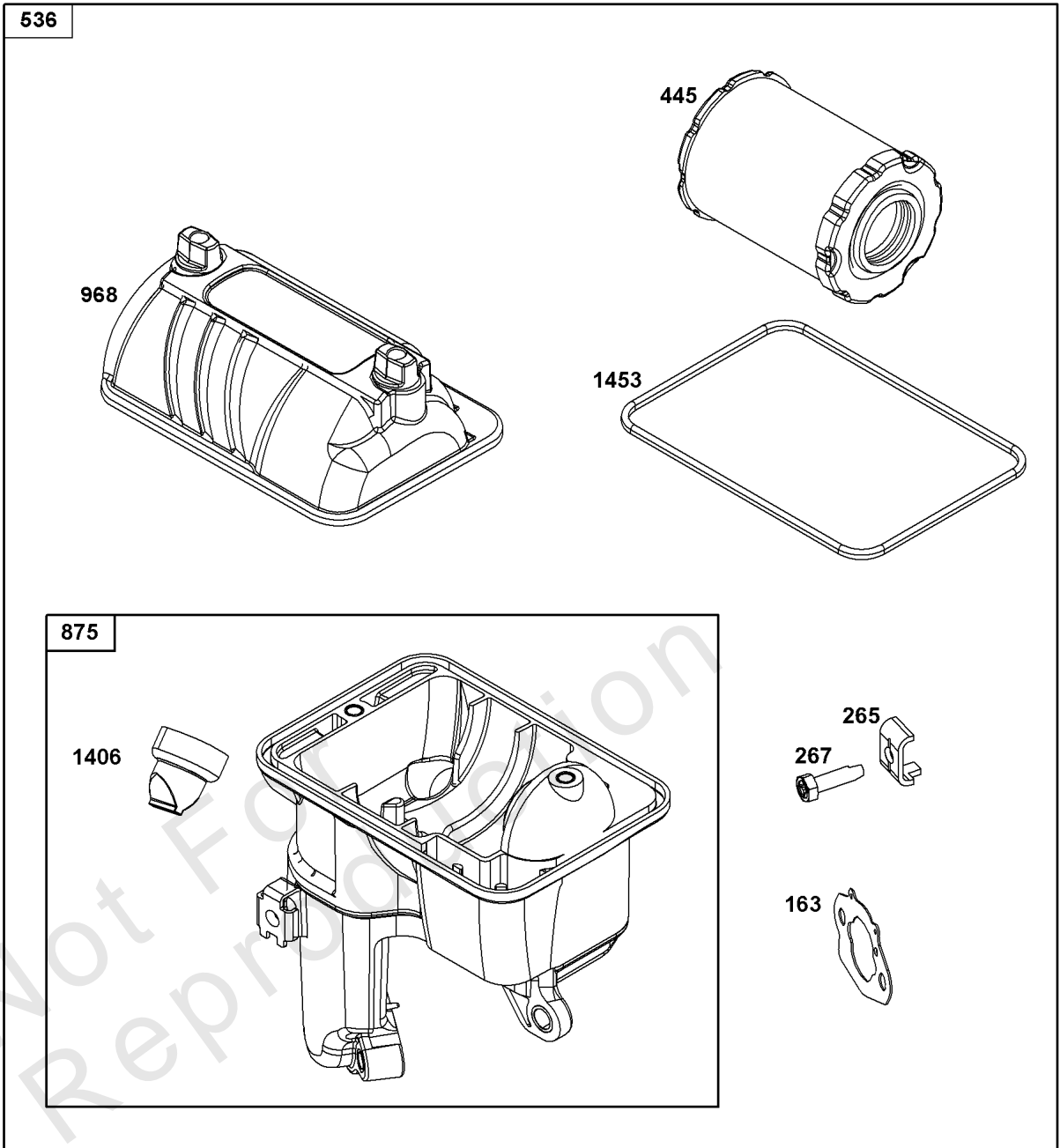
Mfg. No: 10V332-0001-F1



---

<b>Model Components</b>	<b>Page</b>
Air Cleaner Group.....	4
Blower Housing Group.....	6
Carburetor Group.....	8
Controls Group.....	10
Crankcase Cover/Sump and Lubrication Group.....	12
Crankshaft Group.....	14
Cylinder Group.....	16
Cylinder Head Group.....	18
Exhaust Group.....	22
Flywheel, Ignition, and Starter Group.....	24
Fuel Supply Group.....	26

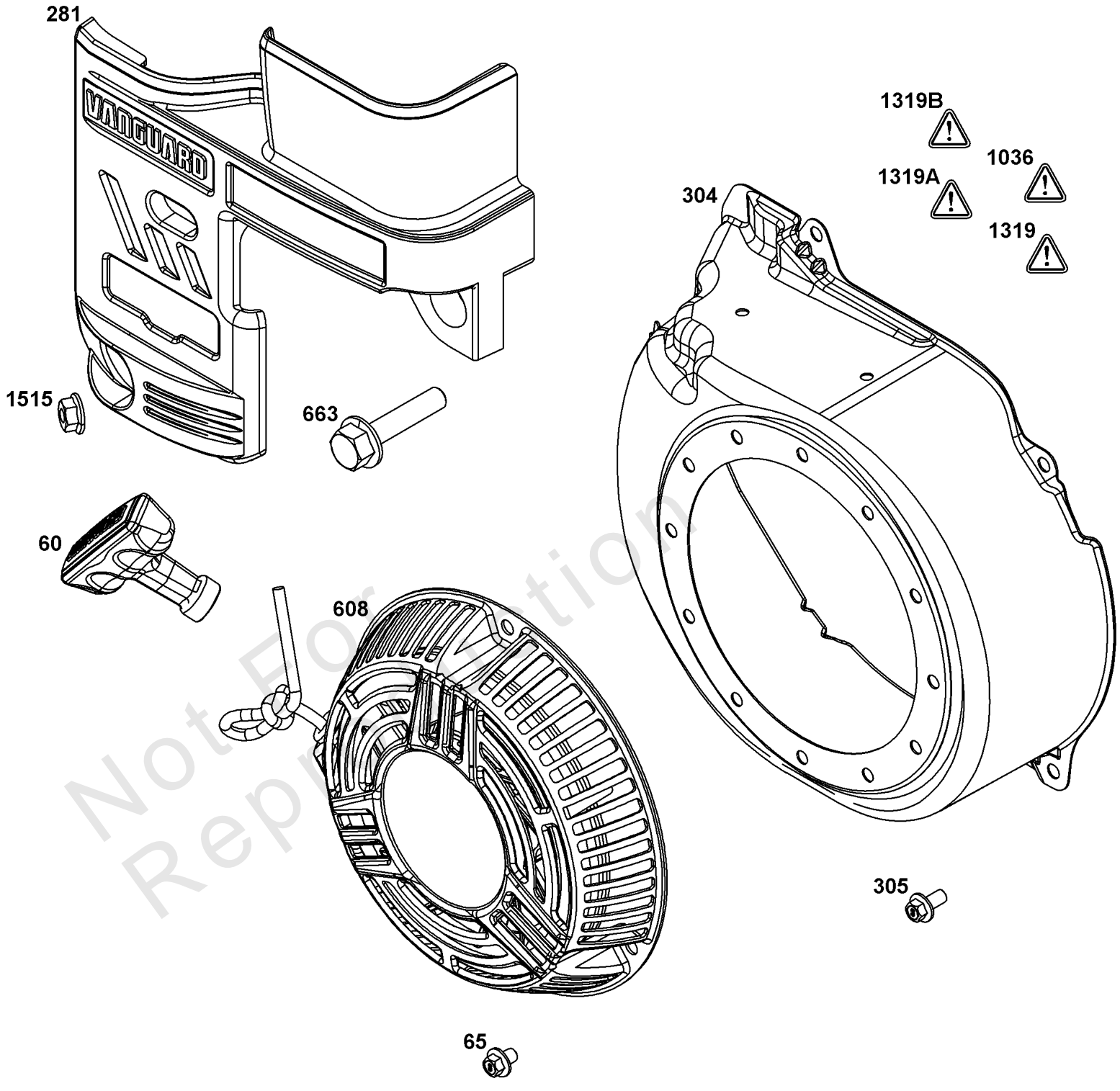
Not For  
Reproduction



## ***Air Cleaner Group***

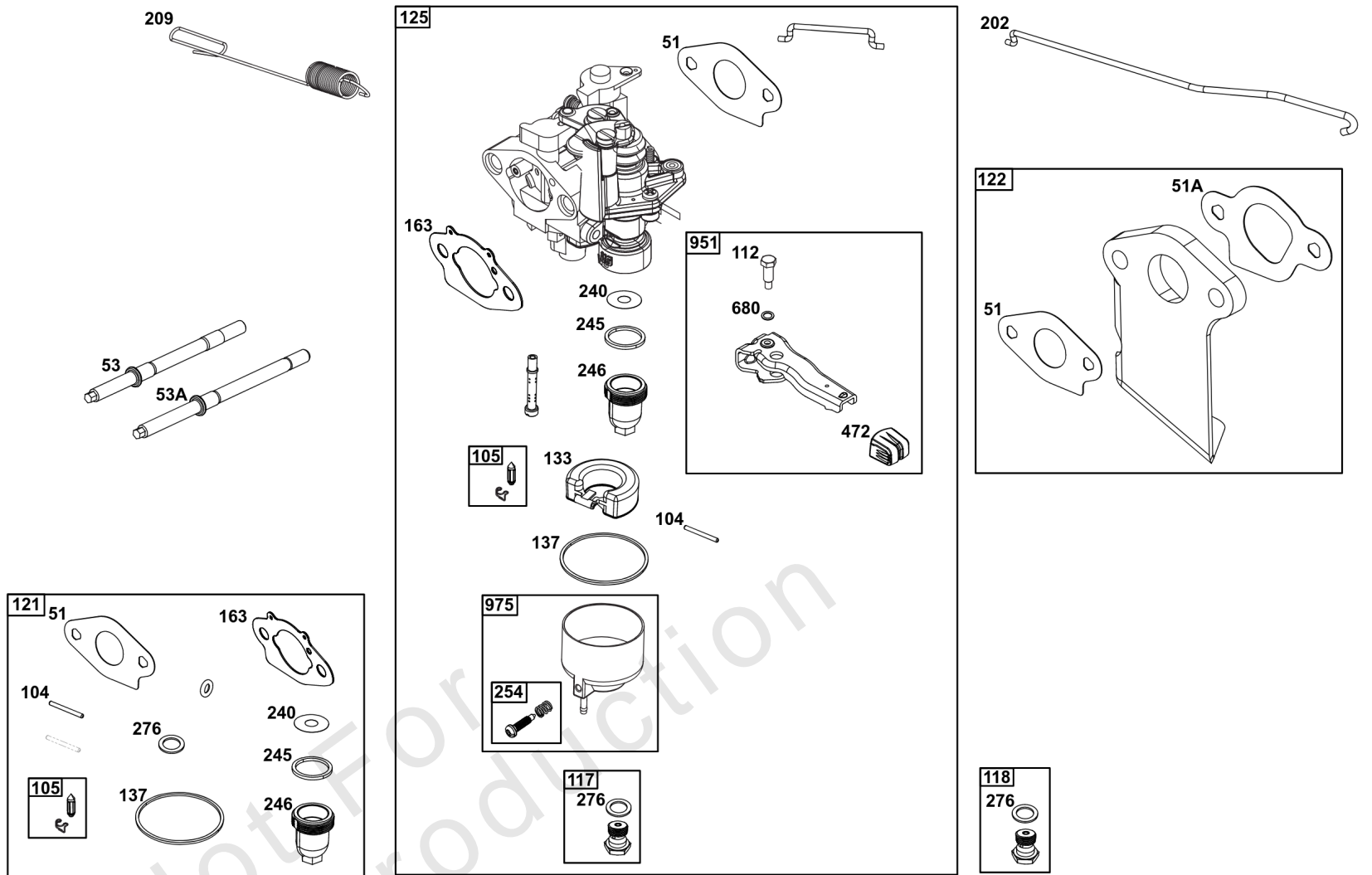
<b>REF NO</b>	<b>PART NO</b>	<b>QTY</b>	<b>DESCRIPTION</b>
11	597013	1	TUBE, Breather
163	596768	1	GASKET, Air Cleaner
185	590692	3	NUT -(Air Cleaner Base)
265	-----	1	CLAMP, Casing -(Part information located in Controls Group.)
267	-----	1	SCREW -(Part information located in Controls Group.)
445	84002309	1	FILTER, A/C Cartridge
536	84005299	1	CLEANER, AIR
875	84005297	1	BASE, Air Cleaner
968	84005353	1	COVER, Air Cleaner
1406	597065	1	VALVE, Debris
1453	84005298	1	SEAL, Air Cleaner Cover

Not For Reproduction



## Blower Housing Group

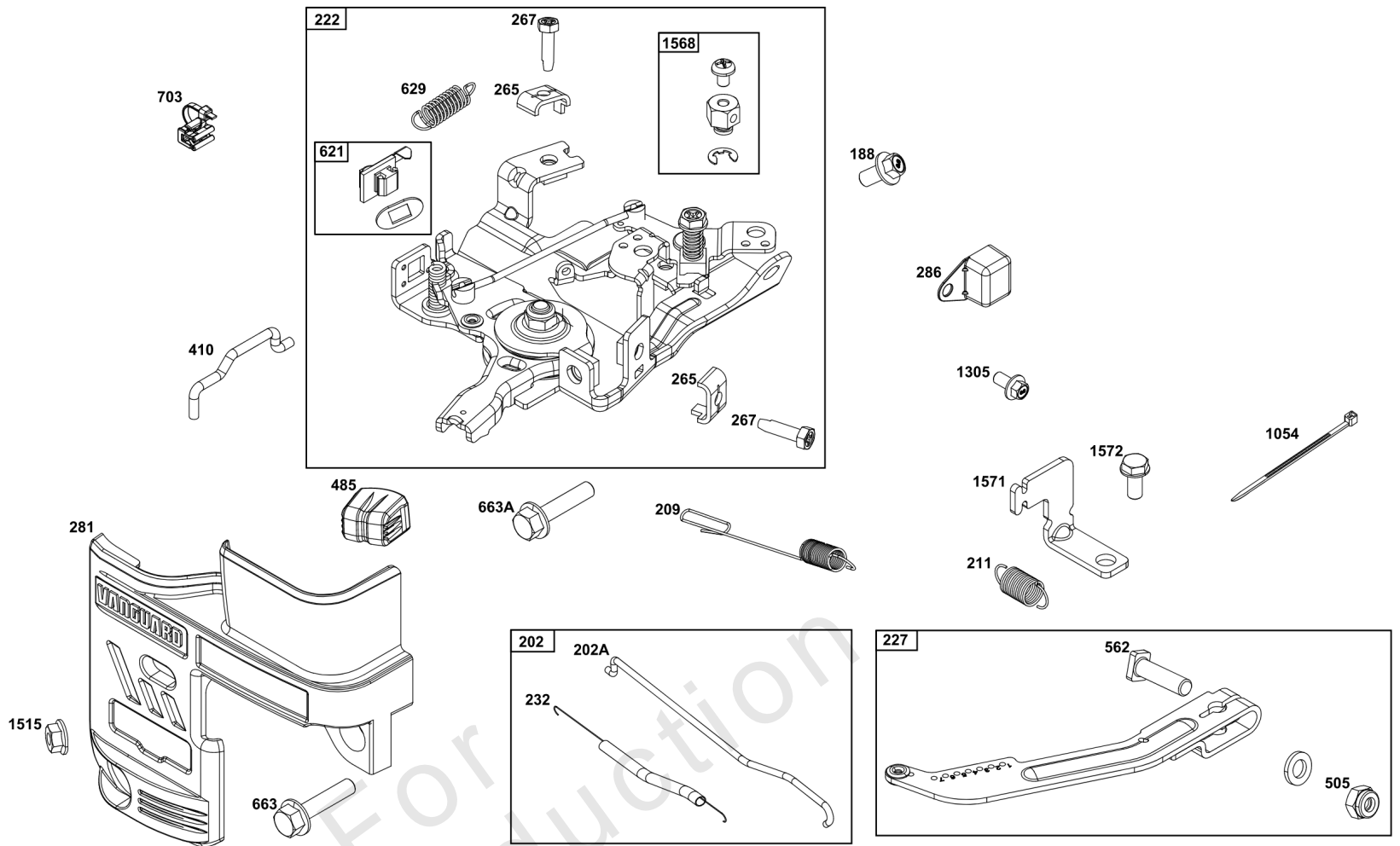
REF NO	PART NO	QTY	DESCRIPTION
60	-----	1	GRIP, Starter Rope -(Part information located in Flywheel/Ignition/Starter Group.)
65	-----	1	SCREW -(Part information located in Flywheel/Ignition/Starter Group.)
281	-----	1	PANEL, Control -(Part information located in Controls Group.)
304	597073	1	HOUSING, Blower
305	597078	4	SCREW -(Blower Housing)
608	-----	1	STARTER, Rewind -(Part information located in Flywheel/Ignition/Starter Group.)
663	-----	1	SCREW -(Part information located in Controls Group.)
1036	-----	1	LABEL, Emissions -(Available from a Briggs & Stratton Authorized Dealer)
1319	794467	1	LABEL, Warning -(REQUIRED When Replacing Parts With Warning Labels Affixed)
1319A	797669	1	LABEL, Warning -(REQUIRED When Replacing Parts With Warning Labels Affixed)
1319B	278911GS	1	LABEL, Warning -(REQUIRED When Replacing Parts With Warning Labels Affixed)
1515	590692	1	NUT -(Part information located in Controls Group.)





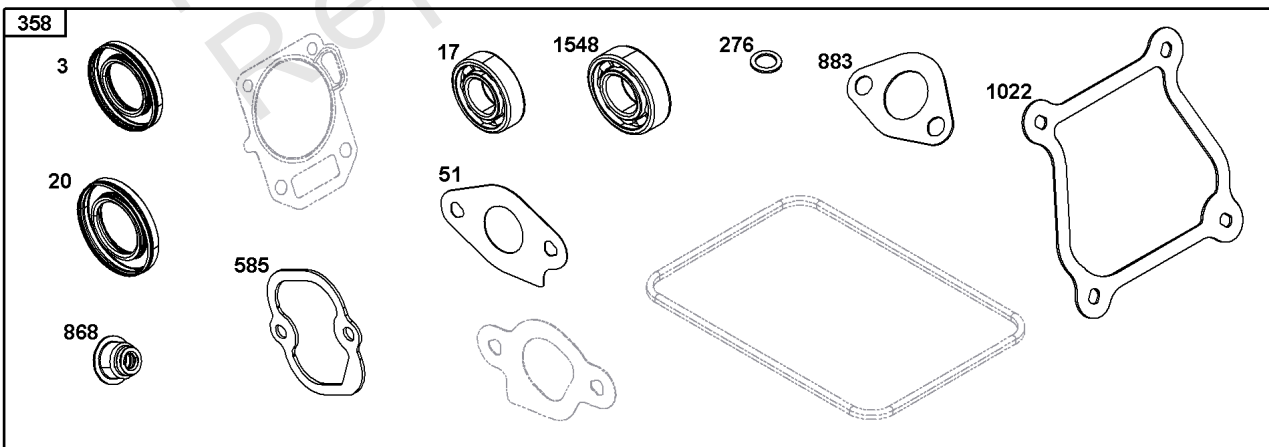
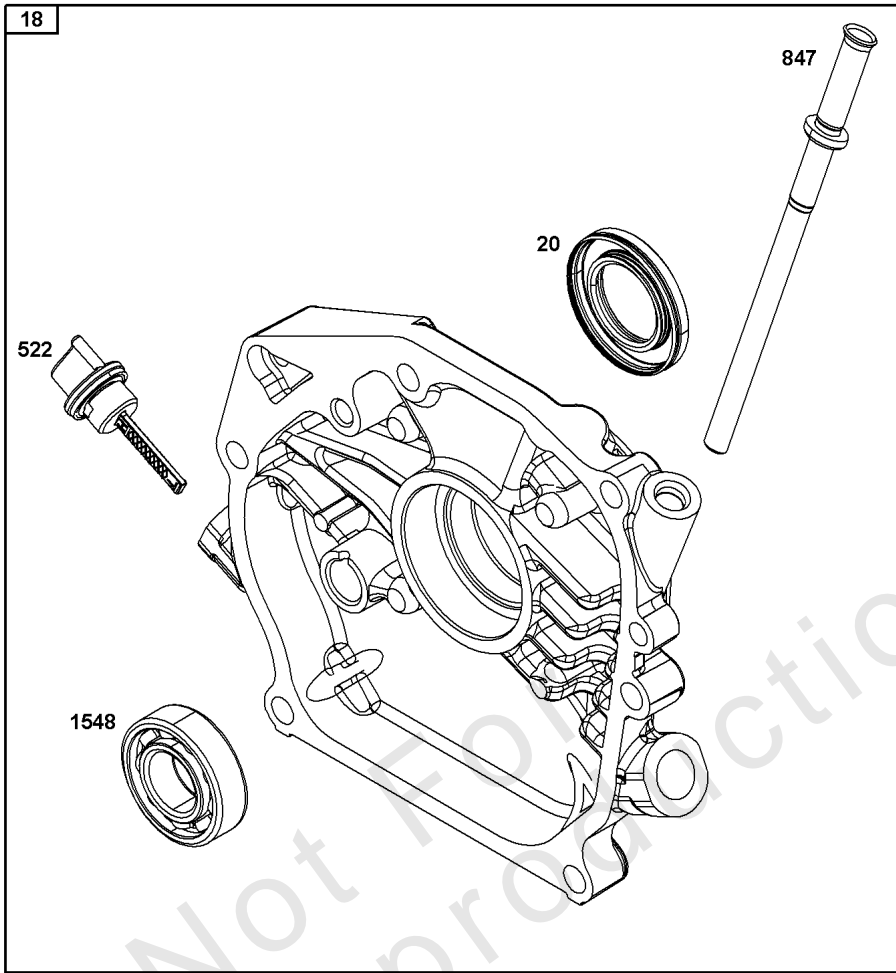
## Carburetor Group

REF NO	PART NO	QTY	DESCRIPTION
51	-----	1	GASKET, Intake -(Part information located in Cylinder Head Group.)
51A	-----	1	GASKET, Intake -(Part information located in Cylinder Head Group.)
53	597052	1	STUD -(Carburetor) (Short)
53A	597051	1	STUD -(Carburetor) (Long)
104	597533	1	PIN, Float Hinge
105	797139	1	VALVE, Float Needle
112	84003640	1	SCREW -(Choke Lever)
117	597454	1	JET, Main -(Standard)
118	84004636	1	JET, MAIN -(High Altitude)
121	597138	1	KIT, Carburetor Overhaul -(Service Kits may include extra parts not specific to this engine.)
122	84005442	1	SPACER, Carburetor
125	84004632	1	CARBURETOR
133	597473	1	FLOAT, Carburetor
137	798932	1	GASKET, Float Bowl
163	-----	1	GASKET, Air Cleaner -(Part information located in Air Cleaner Group.)
202	-----	1	LINK, Mechanical Governor -(Part information located in Controls Group.)
209	-----	1	SPRING, Governor -(Part information located in Controls Group.)
240	597039	1	FILTER, Fuel
245	597735	1	GASKET, Fuel Bowl
246	597043	1	BOWL, Fuel Filter
254	595322	1	DRAIN, Carburetor Bowl
276	797632	1	WASHER, Sealing
472	84002963	1	KNOB, Control
680	84005074	1	WASHER -(Choke Lever)
951	597044	1	LEVER, Choke
975	597049	1	BOWL, Float



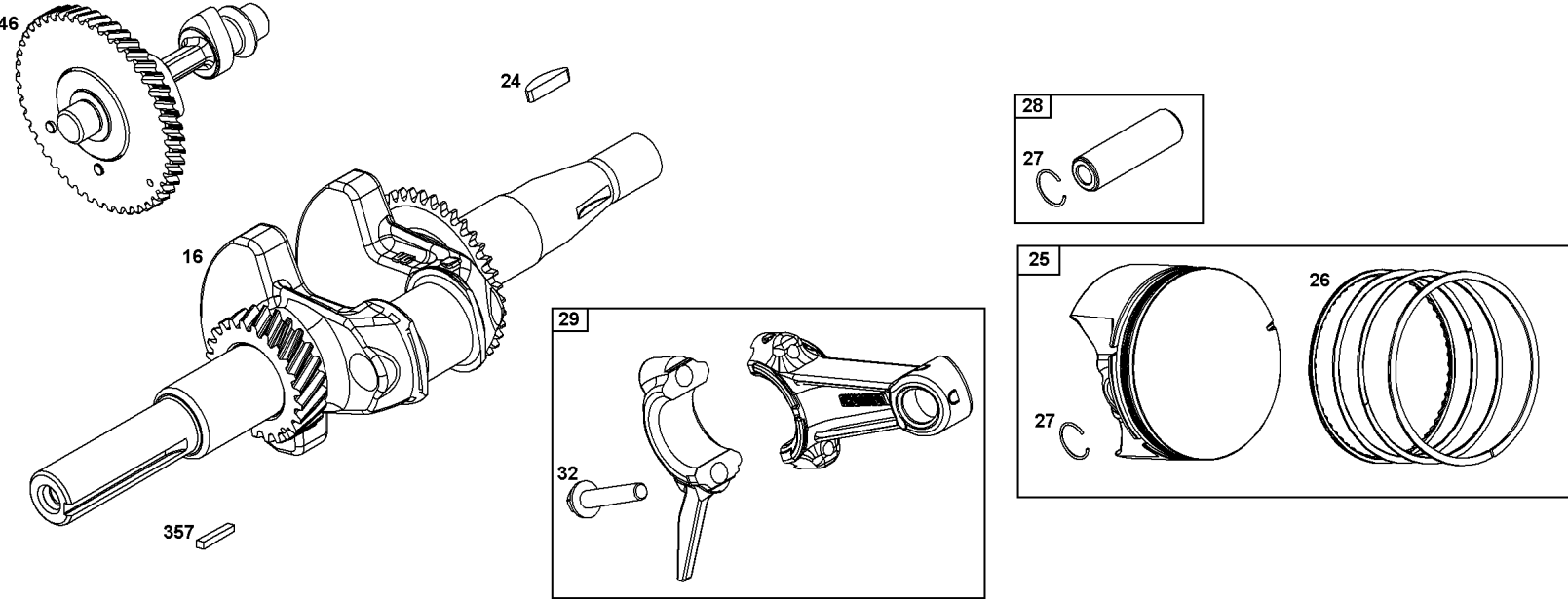
## Controls Group

REF NO	PART NO	QTY	DESCRIPTION
188	590850	2	SCREW -(Control Bracket)
202	597032	1	LINK, Mechanical Governor
202A	597033	1	LINK, Mechanical Governor
209	597111	1	SPRING, Governor
211	691278	1	SPRING, Governor
222	84006188	1	BRACKET, Control
227	84003330	1	LEVER, Governor Control
232	597034	1	SPRING, Governor Link
265	691024	2	CLAMP, Casing
265	84004472	1	CLAMP, Casing
267	84004279	1	SCREW -(Casing Clamp)
281	84005296	1	PANEL, CONTROL
286	594949	1	MODULE, Oil Sensor
410	597024	1	LINK, Control
485	84004631	1	KNOB, Control
505	590641	1	NUT -(Governor Control Lever)
562	597121	1	BOLT -(Governor Control Lever)
621	84007989	1	SWITCH, Stop
629	597022	1	SPRING, Throttle Return
663	597460	1	SCREW -(Control Panel)
663A	84003635	6	SCREW -(Control Panel)
703	84008531	1	CLIP
1054	280275	1	TIE, Cable
1305	590703	1	SCREW -(Oil Sensor Module)
1515	590692	1	NUT -(Control Panel)
1568	84005188	2	RETAINER, Wire
1568	84005188	2	RETAINER, Wire
1571	597035	1	BRACKET, Governor Control
1572	597036	1	SCREW -(Governed Idle Spring Bracket)



## Crankcase Cover/Sump and Lubrication Group

REF NO	PART NO	QTY	DESCRIPTION
3	-----	1	SEAL, Oil -(Part information located in Cylinder Group.)
7	-----	1	GASKET, Cylinder Head -(Part information located in Cylinder Head Group.)
17	-----	1	BEARING, Ball -(Part information located in Cylinder Group.)
18	596986	1	COVER, Crankcase
20	596991	1	SEAL, Oil -(PTO Side)
22	590714	6	SCREW -(Crankcase Cover/Sump)
51	-----	1	GASKET, Intake -(Part information located in Cylinder Head Group.)
51A	-----	1	GASKET, Intake -(Part information located in Cylinder Head Group.)
276	-----	1	WASHER, Sealing -(Part information located in Carburetor Group.)
358	-----	1	GASKET SET, Engine -(Part information located in Cylinder Group.)
522	590716	1	PLUG, Dipstick/Fill
522	590716	1	PLUG, Dipstick/Fill
523	596992	1	DIPSTICK
585	-----	1	GASKET, Breather Passage -(Part information located in Cylinder Head Group.)
847	596989	1	DIPSTICK/TUBE ASSEMBLY
850	100106	1	SEALANT, Liquid
868	-----	1	SEAL, Valve -(Part information located in Cylinder Head Group.)
883	-----	1	GASKET, Exhaust -(Part information located in Exhaust Group.)
1022	-----	1	GASKET, Rocker Cover -(Part information located in Cylinder Head Group.)
1453	-----	1	SEAL, Air Cleaner Cover -(Part information located in Air Cleaner Group.)
1548	596990	1	BEARING, Ball -(Crankcase Cover/Sump)

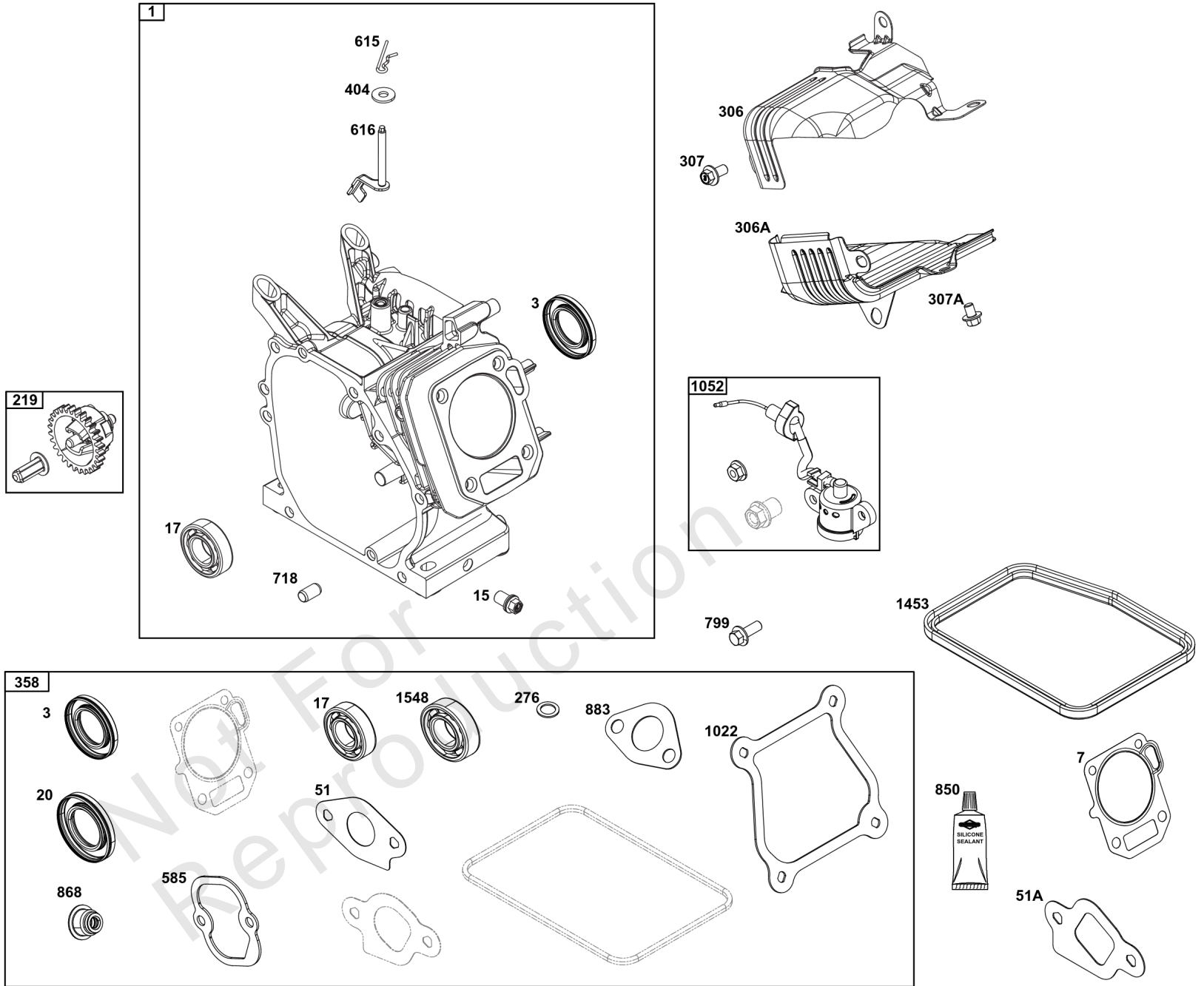


Not For  
Reproduction

## Crankshaft Group

REF NO	PART NO	QTY	DESCRIPTION
16	84004649	1	CRANKSHAFT
24	596976	1	KEY, Flywheel
25	84004674	1	PISTON ASSEMBLY
25	84005433	1	PISTON ASSEMBLY -(.020" Oversize)
26	84005435	1	SET, Ring
26	84005437	1	SET, Ring -(.020" Oversize)
27	596982	1	LOCK, Piston Pin
28	84005441	1	PIN, Piston
29	84005444	1	ROD, Connecting
32	596984	2	SCREW -(Connecting Rod)
46	84005295	1	CAMSHAFT
357	692191	1	KEY, Drive Pulley

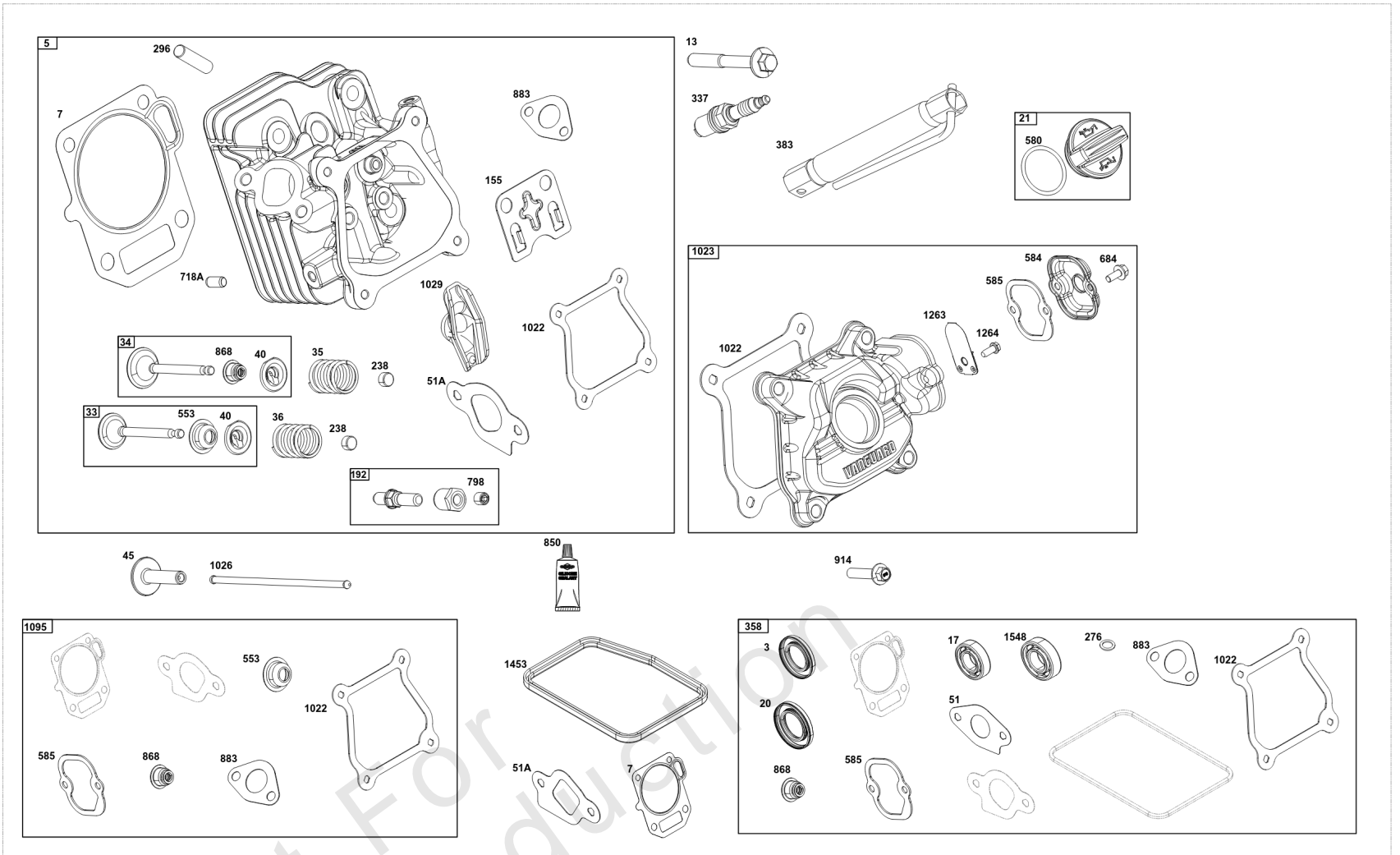
Not For Reproduction





## Cylinder Group

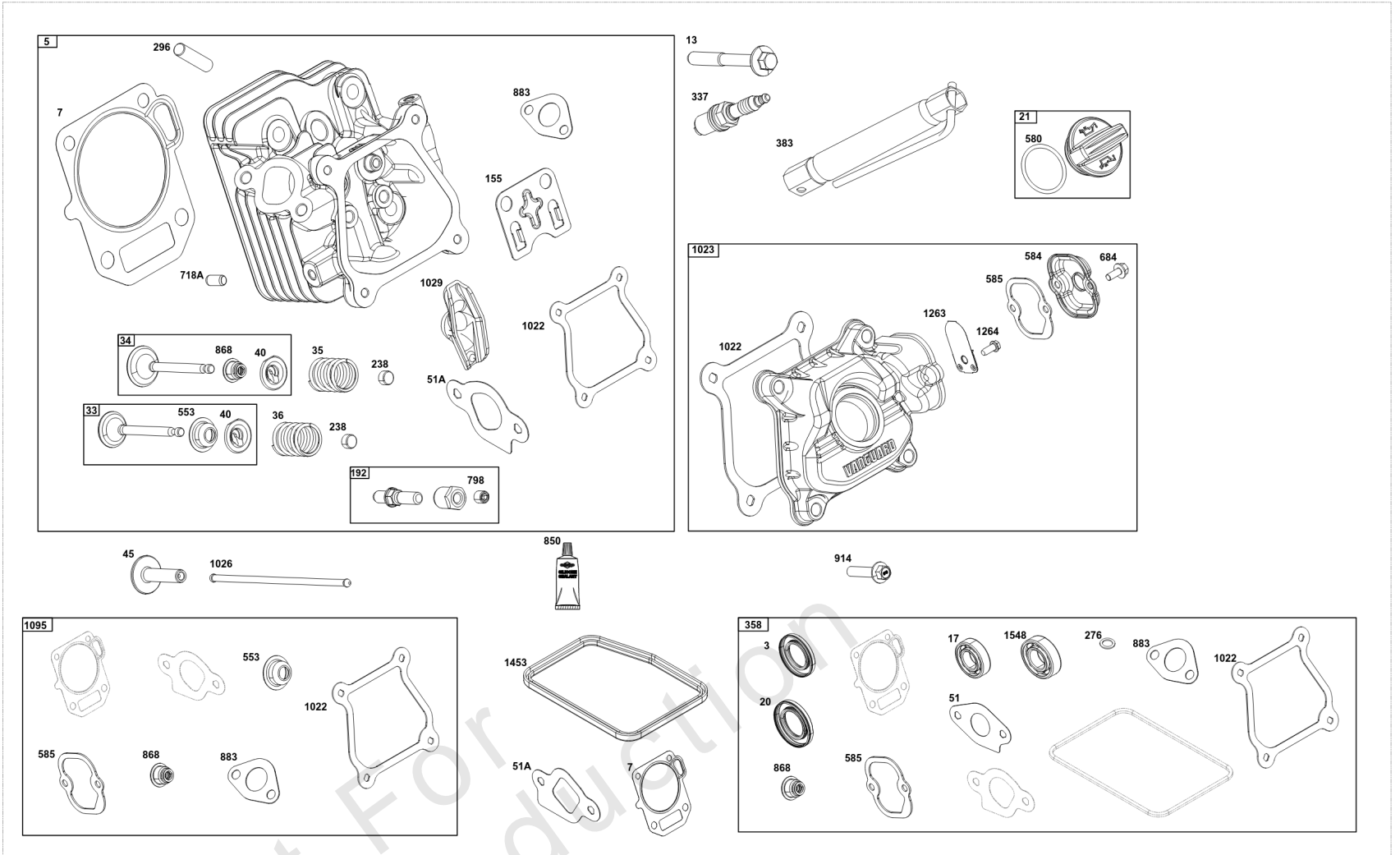
REF NO	PART NO	QTY	DESCRIPTION
1	84005446	1	CYLINDER ASSEMBLY
3	84002132	1	SEAL, Oil -(Magneto Side)
7	-----	1	GASKET, Cylinder Head -(Part information located in Cylinder Head Group.)
15	590678	2	PLUG, Oil Drain
17	596990	1	BEARING, Ball -(Cylinder)
20	-----	1	SEAL, Oil -(Part information located in Crankcase Cover/Sump and Lubrication Group.)
51	-----	1	GASKET, Intake -(Part information located in Cylinder Head Group.)
51A	-----	1	GASKET, Intake -(Part information located in Cylinder Head Group.)
219	597038	1	GEAR, Governor
276	-----	1	WASHER, Sealing -(Part information located in Carburetor Group.)
306	84007614	1	SHIELD, Cylinder
306A	597076	1	SHIELD, Cylinder
307	590850	1	SCREW -(Cylinder Shield)
307A	590683	2	SCREW -(Cylinder Shield)
358	597139	1	GASKET SET, Engine -(Service Kits may include extra parts not specific to this engine.)
404	597030	1	WASHER -(Governor Crank)
585	-----	1	GASKET, Breather Passage -(Part information located in Cylinder Head Group.)
615	597031	1	RETAINER, Governor Shaft
616	597029	1	CRANK, Governor
718	590713	2	PIN, Locating
799	590703	2	SCREW -(Oil Sensor)
850	-----	1	SEALANT, Liquid -(Part information located in Crankcase Cover/Sump and Lubrication Group.)
868	-----	1	SEAL, Valve -(Part information located in Cylinder Head Group.)
883	-----	1	GASKET, Exhaust -(Part information located in Exhaust Group.)
1022	-----	1	GASKET, Rocker Cover -(Part information located in Cylinder Head Group.)
1052	84004948	1	SENSOR, Oil
1453	-----	1	SEAL, Air Cleaner Cover -(Part information located in Air Cleaner Group.)
1548	-----	1	BEARING, Ball -(Part information located in Crankcase Cover/Sump and Lubrication Group.)



Not For  
Reproduction

## Cylinder Head Group

REF NO	PART NO	QTY	DESCRIPTION
3	-----	1	SEAL, Oil -(Part information located in Cylinder Group.)
5	84005288	1	HEAD, Cylinder
7	84005440	1	GASKET, Cylinder Head
13	597008	4	SCREW -(Cylinder Head)
17	-----	1	BEARING, Ball -(Part information located in Cylinder Group.)
20	-----	1	SEAL, Oil -(Part information located in Crankcase Cover/Sump and Lubrication Group.)
21	84006593	1	CAP, Oil Fill
33	84005287	1	VALVE, Exhaust
34	84005280	1	VALVE, Intake
35	597002	2	SPRING, Valve -(Intake)
36	597002	2	SPRING, Valve -(Exhaust)
40	590654	2	RETAINER, Valve
45	591449	2	TAPPET, Valve
51	596769	1	GASKET, Intake
51A	84005443	1	GASKET, Intake
155	592874	1	PLATE, Cylinder Head
192	597006	2	ADJUSTER, Rocker Arm
238	590649	2	CAP, Valve
276	-----	1	WASHER, Sealing -(Part information located in Carburetor Group.)
296	590631	2	STUD -(Muffler)
337	597383	1	PLUG, Spark
358	-----	1	GASKET SET, Engine -(Part information located in Cylinder Group.)
383	19576S	1	WRENCH, Spark Plug
553	597003	1	RETAINER, Valve Spring
580	809894	1	SEAL, O-Ring -(Oil Fill Cap)
584	597011	1	COVER, Breather Passage
585	597010	1	GASKET, Breather Passage
684	597012	2	SCREW -(Breather Passage Cover)
718A	590637	2	PIN, Locating
798	597000	2	SCREW -(Rocker Arm)
850	-----	1	SEALANT, Liquid -(Part information located in Crankcase Cover/Sump and Lubrication Group.)
868	597001	1	SEAL, Valve
883	-----	1	GASKET, Exhaust -(Part information located in Exhaust Group.)
914	597016	4	SCREW -(Rocker Cover)
1022	597015	1	GASKET, Rocker Cover
1023	597009	1	COVER, Rocker
1026	597017	2	ROD, Push
1029	596999	2	ARM, Rocker
1095	597140	1	GASKET SET, Valve -(Service Kits may include extra parts not specific to this engine.)
1263	697124	1	REED, Breather

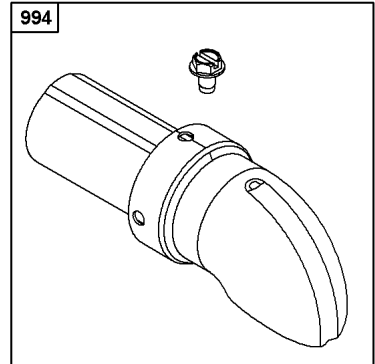
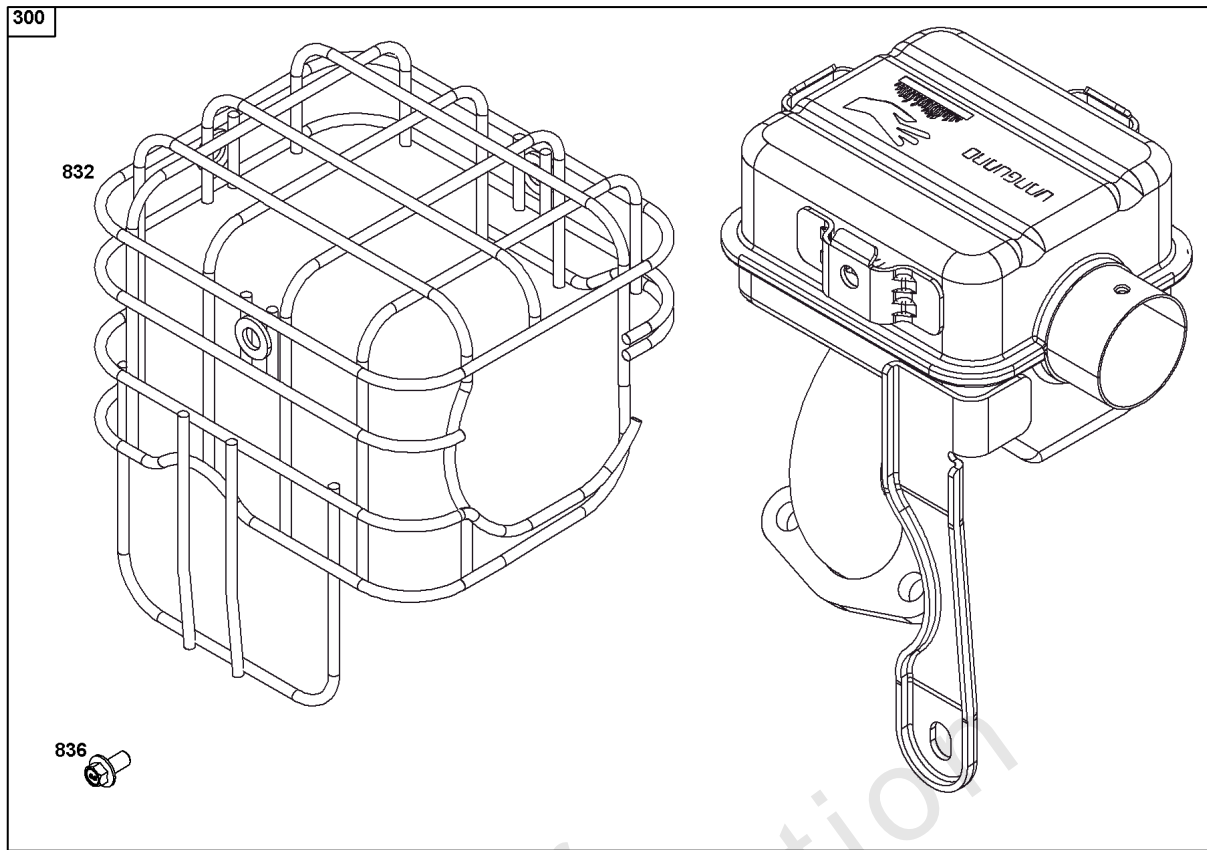


Not For  
Reproduction

## Cylinder Head Group

REF NO	PART NO	QTY	DESCRIPTION
1264	793453	1	SCREW -(Breather Reed)
1453	-----	1	SEAL, Air Cleaner Cover -(Part information located in Air Cleaner Group.)
1548	-----	1	BEARING, Ball -(Part information located in Crankcase Cover/Sump and Lubrication Group.)

Not For Reproduction

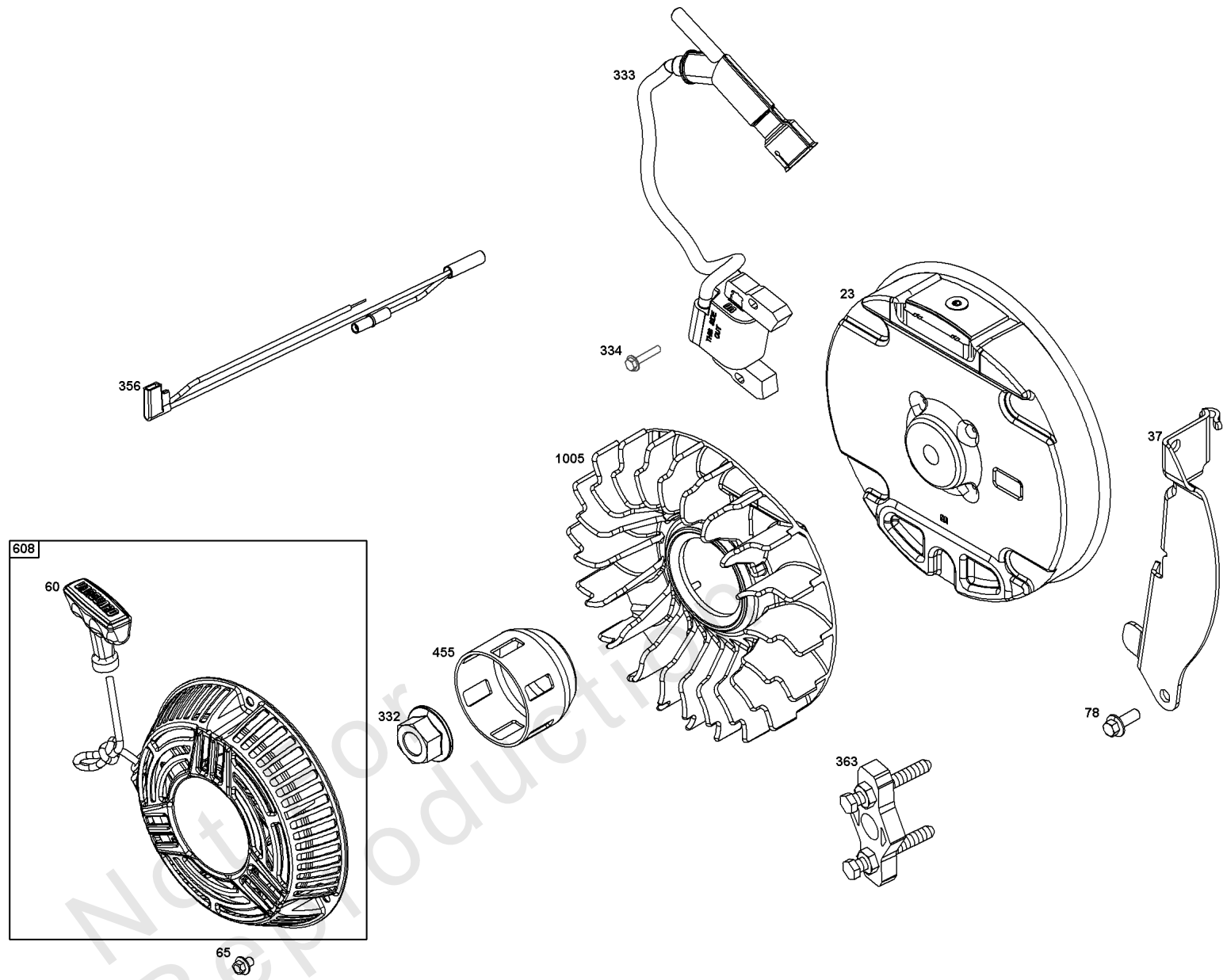


Not For  
Reproduction

## Exhaust Group

REF NO	PART NO	QTY	DESCRIPTION
300	84005147	1	MUFFLER
832	84005354	1	GUARD, Muffler
836	590850	3	SCREW -(Muffler Guard)
883	597072	1	GASKET, Exhaust
994	593207	1	ARRESTOR, Spark
1177	590632	2	NUT -(Muffler)
1449	590633	2	WASHER -(Muffler)

Not For Reproduction

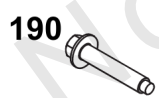
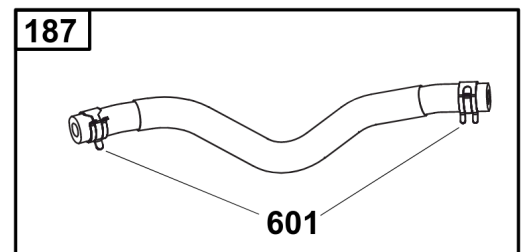
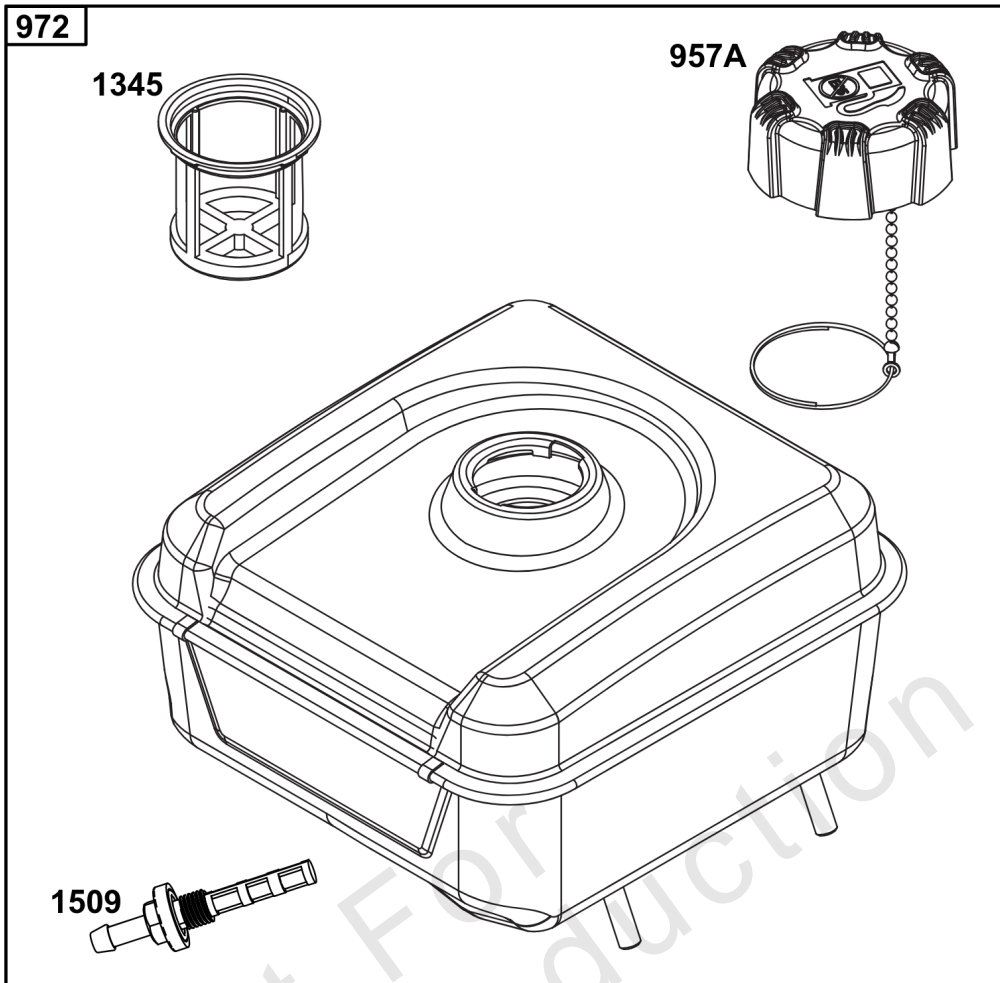




## ***Flywheel, Ignition, and Starter Group***

<b>REF NO</b>	<b>PART NO</b>	<b>QTY</b>	<b>DESCRIPTION</b>
23	597085	1	FLYWHEEL
37	84005259	1	GUARD, Flywheel
60	597080	1	GRIP, Starter Rope
65	590683	3	SCREW -(Rewind Starter)
78	590703	1	SCREW -(Flywheel Guard)
332	591988	1	NUT -(Flywheel)
333	84004673	1	ARMATURE, Magneto
334	699477	2	SCREW -(Magneto Armature)
356	597054	1	WIRE, Stop
363	19203	1	PULLER, Flywheel
455	597088	1	CUP, Flywheel
608	596772	1	STARTER, Rewind
1005	794273	1	FAN, Flywheel

Not For Reproduction



## *Fuel Supply Group*

REF NO	PART NO	QTY	DESCRIPTION
187	597058	1	LINE, Fuel
190	591476	1	SCREW -(Fuel Tank)
601	791850	2	CLAMP, Hose
705	707919	2	NUT -(Fuel Tank)
957A	596765	1	CAP, Fuel Tank
972	84004779	1	TANK, FUEL
1345	792917	1	FILTER, Filler Neck
1509	797346	1	OUTLET, Tank

Not For Reproduction

# **WANGUARD<sup>®</sup>**

**COMMERCIAL POWER**



**BRIGGS & STRATTON<sup>®</sup>**